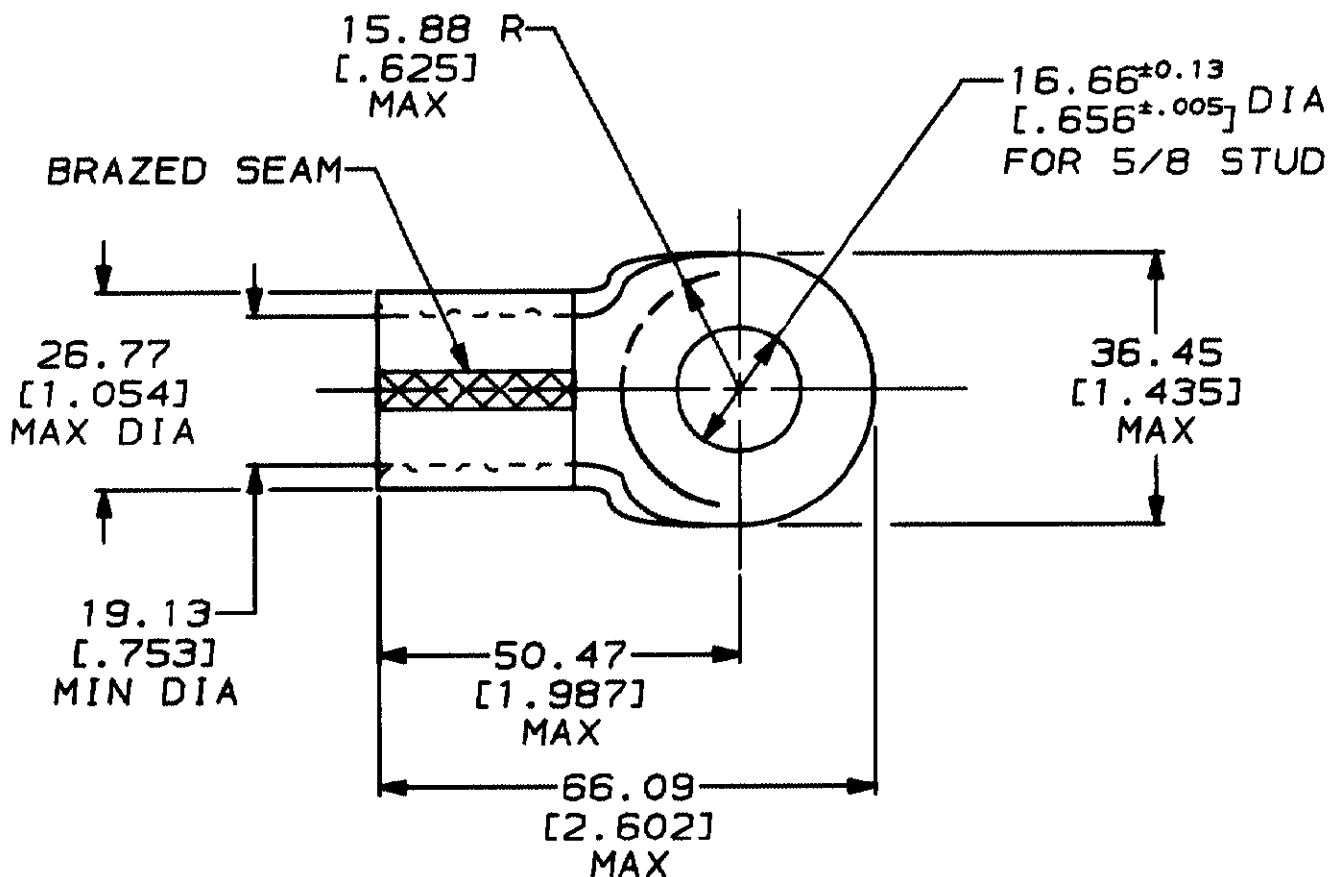


| LOC | DIST | P | F | LTR | DESCRIPTION                  | DATE    | APPROVED  |
|-----|------|---|---|-----|------------------------------|---------|-----------|
| G   | 14   |   |   | C   | REVISED & REDRAWN PER G-5803 | 6/12/92 | DKS / AJK |

THIS DRAWING IS UNPUBLISHED. RELEASED FOR PUBLICATION BY AMP INCORPORATED. ALL INTERNATIONAL RIGHTS RESERVED. © COPYRIGHT 19



323050  
PART NO

DO NOT SCALE PRINT. UNLESS SPECIFIED DIMENSIONS IN mm [IN] TOLERANCES ON:  
 2 PLC DEC ± 0.20(.008)  
 3 PLC DEC ± -  
 ANGLES ± -  
 MATERIAL  
 COPPER ASTM B-152 ANNEALED  
 FINISH  
 TIN PLATE  
 0.00254[.000100] MIN THK PER MIL-T-10727

DR 6/12/92  
DK SCHRUM  
 CHK 6/26/92  
RD HEIN  
 APPD 6/26/92  
AJ KAUFMAN  
 APPD 6/26/92  
CR RHODS  
 PRODUCT SPEC  
 -  
 APPLICATION SPEC  
 -  
 WEIGHT -

**AMP** AMP Incorporated  
Harrisburg, PA 17105-3608

NAME  
 TERMINAL, RING TONGUE, SOLISTRAND™  
 WIRE SIZE: 127.0-152.0mm<sup>2</sup> [250-300] MCM

|                  |                    |                               |
|------------------|--------------------|-------------------------------|
| SIZE<br><b>A</b> | CAGE CODE<br>00779 | DRAWING NO<br><b>C-323050</b> |
| SCALE<br>1:1     | SHEET<br>1 OF 1    |                               |