

AMP Micro CPC

DESCRIPTION

- Connector system available in wire-to-wire, wire-to-board and wire-to-panel configurations
- Two shell sizes: 9.5 mm (2 to 7 positions) and 13.5 mm (12 to 19 positions)
- Spring probe or screw machine pin and socket contact systems available

APPLICATIONS

- Ideal for Medical, Instrumentation and Industrial applications where size, contact density and durability are primary concerns. The nylon housings offer good resistance to a wide range of chemical agents while the IP65 sealing helps prevent ingress of dirt or fluids that would have an adverse effect on the contact interface.



KEY FEATURES

- Squeeze-to-release coupling mechanism offers positive latch or optional breakaway locking feature
- Panel mount receptacle offers jam nut mounting
- Keyed and polarized
- Sealed to IP65
- No assembly required
- No application tooling required
- Ink marked positive alignment indicators

ELECTRICAL

- | | | | |
|------------------------------|-----------------|------------------------------------|------------------|
| • Current Carrying Capacity: | 2-3 Amps | • Dielectric Withstanding Voltage: | 1500 VAC minimum |
| • Operating Voltage: | 250 VAC minimum | | |

MECHANICAL

- | | | |
|--|--------------------------|----------------------------|
| • 5000 minimum mating cycles (Spring probe contact system) | • Housing: | Single piece design, nylon |
| • 500 mating cycles (Screw machine pin and socket contacts) | • Environmental Sealing: | Splash proof IP65 |
| • Mating Application: | • Wire Size: | 24-30 AWG |
| - Wire-to-wire, wire-to-panel, wire-to-board | • Wire Termination: | Solder cup |
| - Wire-to-panel – Sealed at the panel, jam nut mt. | • Strain Relief Options: | Overmolded Strain Relief |
| - Wire-to-board – vertical and right angle | • Operating Temperature: | - 67°F to +221°F |
| - Plugs loaded with socket contacts. Receptacles loaded with pin contacts. | | [-55°C to +105°C] |

STANDARDS & SPECS

- Design Objectives: 108-2080
- Spring Probe Product Specification: 108-1943

MATERIALS

- Spring Probe Pin: Brass, 10 μin [.25 μm] gold finish over nickel on mating end, tin-lead over nickel on solder cup/solder tail
- Spring Probe Pad: Brass, 30 μin [.76 μm] gold finish over nickel on entire contact
- Screw Machine Pin: Brass, 30 μin [.76 μm] gold finish over nickel on entire contact
- Screw Machine Socket: Brass body, Beryllium copper clip, 30 μin [.76 μm] gold finish over nickel, clip tin-lead over nickel body
- O-ring: Elastomer, Red
- Jam Nut: Material: Brass
Finish: Nickel plated
- Housing: Thermoplastic, Black

CABLE ASSEMBLIES

- Wide variety of custom discrete type cable assemblies, terminated with Terminals and Splices, Soft Shell, and Circular Plastic Connectors and other crimp and mass-terminated products.
- Capability to produce custom overmolded assemblies and insert and injection molding.
- Jacketed cable assemblies and discrete wire: Subminiature-D, SCSI, Circular Plastic, VHDCI, USB and Shielded Data Link
- For more information on our cable assembly capabilities, see our website at www.tycoelectronics.com/cables



7 Position/M9.5

Contact Type	Cable Assembly Description	Part Number
Pin & Socket	Free-Hanging Receptacle	1692639-1
	Plug	1692638-1
Spring Probe	Free-Hanging Receptacle	1692637-1
	Plug	1692636-1

ACCESSORIES

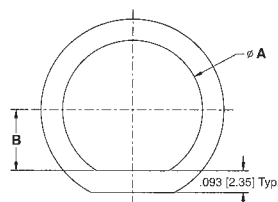
Strain Reliefs

Shell Size	Dimensions		Cable O.D. (Max.)	Part Number
	A	B		
M9.5	0.44 [11.3]	0.93 [23.6]	.20 [5.0]	1604111-1
M13.5	0.63 [16]	1.1 [27.9]	0.35 [8.8]	1604204-1



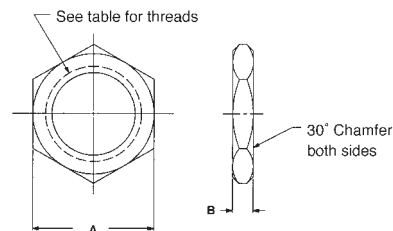
Flange Seals

Shell Size	Dimensions		Part Number
	A	B	
M9.5	0.43 [10.9]	0.18 [4.5]	1445420-3
M13.5	.60 [15.3]	0.26 [6.6]	1445420-1



Jam Nuts

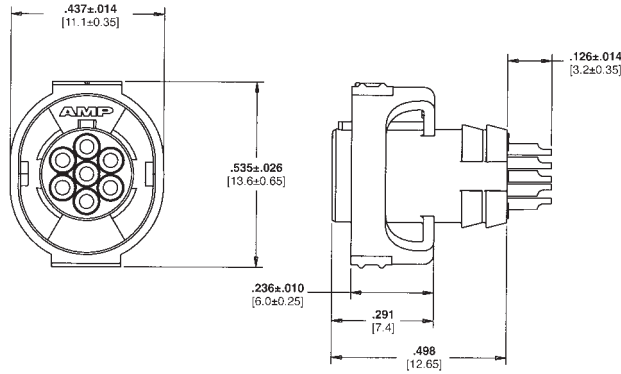
Shell Size	Dimensions		Thread	Part Number
	A	B		
M9.5	0.55 [14]	0.095 [2.4]	7/16-28 UNEF-2B	1604197-1
M13.5	0.75 [19]	0.125 [3.2]	5/8-24 UNEF-2B	1604196-1



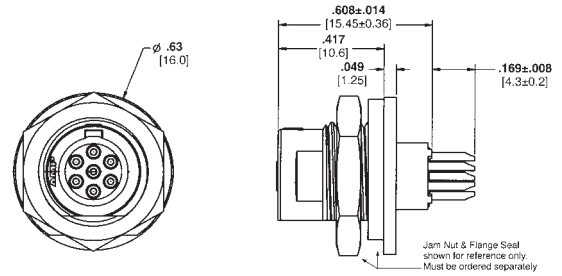
PRODUCT DIMENSIONS

Shell Size 9.5 mm (7 Position shown)

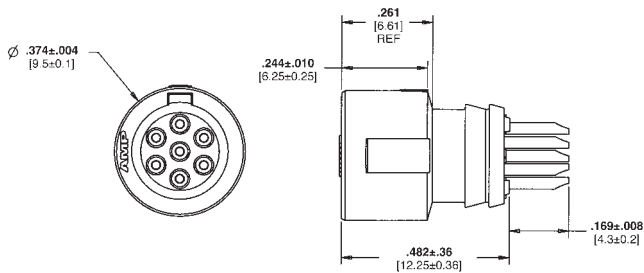
Plug Assembly, Solder Cup



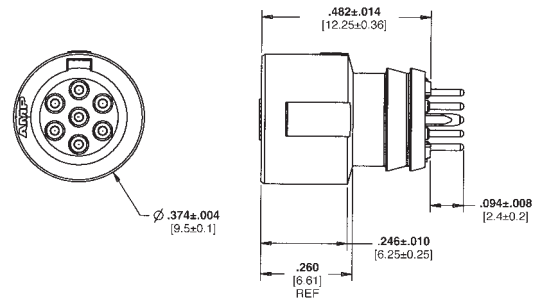
Receptacle Assembly, Flange Mount



Receptacle Assembly, Free-Hanging Solder Cup

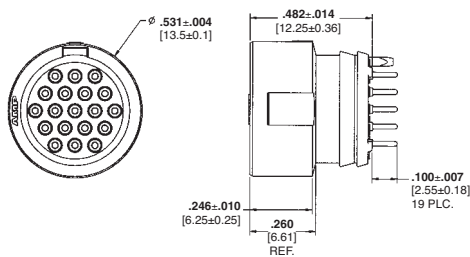


Receptacle Assembly, Free-Hanging Solder Tail

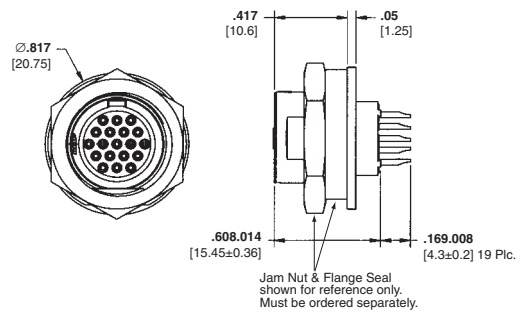


Shell Size 13.5 mm (19 Position shown)

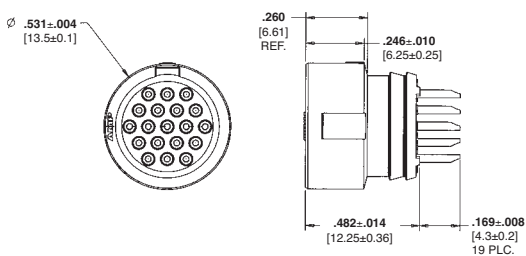
Receptacle Assembly, Free-Hanging Solder Tail



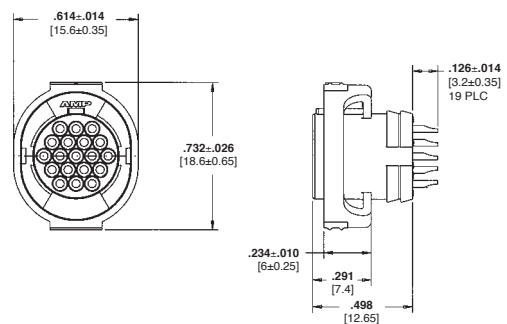
Receptacle Assembly, Flange Mount



Receptacle Assembly, Free-Hanging Solder Cup



Plug Assembly, Solder Cup



PRODUCT OFFERING

Contact System	Shell Size	No. of Pos.	Panel Mount Receptacle		Free-Hanging Receptacle		Plug Solder Cup	Latch	Stock Status	
			Solder Cup	Solder Tail	Solder Cup	Solder Tail				
Spring Probe	M9.5	7	1445718-1	1445719-1	1445555-1	1445323-1	1445322-1	Positive	Standard	
			1445718-2	1445719-2	1445555-2	1445323-2	1445322-2	Breakaway		
		2	1-1445718-1	1-1445719-1	1-1445555-1	1-1445323-1	1-1445322-1	Positive	Make to Order	
			1-1445718-2	1-1445719-2	1-1445555-2	1-1445323-2	1-1445322-2	Breakaway		
		3	1445718-9	1445719-9	1445555-9	1445323-9	1445322-9	Positive	Make to Order	
			1-1445718-0	1-1445719-0	1-1445555-0	1-1445323-0	1-1445322-0	Breakaway		
		4	1445718-7	1445719-7	1445555-7	1445323-7	1445322-7	Positive	Make to Order	
			1445718-8	1445719-8	1445555-8	1445323-8	1445322-8	Breakaway		
		5	1445718-5	1445719-5	1445555-5	1445323-5	1445322-5	Positive	Make to Order	
			1445718-6	1445719-6	1445555-6	1445323-6	1445322-6	Breakaway		
		6	1445718-3	1445719-3	1445555-3	1445323-3	1445322-3	Positive	Make to Order	
			1445718-4	1445719-4	1445555-4	1445323-4	1445322-4	Breakaway		
		M13.5	19	1445759-1	1445758-1	1445757-1	1445756-1	1445777-1	Positive	Standard
				1445759-2	1445758-2	1445757-2	1445756-2	1445777-2	Breakaway	
			12	1-1445759-5	1-1445758-5	1-1445757-5	1-1445756-5	1-1445777-5	Positive	Make to Order
	1-1445759-6			1-1445758-6	1-1445757-6	1-1445756-6	1-1445777-6	Breakaway		
	13		1-1445759-3	1-1445758-3	1-1445757-3	1-1445756-3	1-1445777-3	Positive	Make to Order	
			1-1445759-4	1-1445758-4	1-1445757-4	1-1445756-4	1-1445777-4	Breakaway		
	14		1-1445759-1	1-1445758-1	1-1445757-1	1-1445756-1	1-1445777-1	Positive	Make to Order	
			1-1445759-2	1-1445758-2	1-1445757-2	1-1445756-2	1-1445777-2	Breakaway		
	15		1445759-9	1445758-9	1445757-9	1445756-9	1445777-9	Positive	Make to Order	
			1-1445759-0	1-1445758-0	1-1445757-0	1-1445756-0	1-1445777-0	Breakaway		
	16		1445759-7	1445758-7	1445757-7	1445756-7	1445777-7	Positive	Make to Order	
			1445758-8	1445758-8	1445757-8	1445756-8	1445777-8	Breakaway		
	17		1445759-5	1445758-5	1445757-5	1445756-5	1445777-5	Positive	Make to Order	
			1445759-6	1445758-6	1445757-6	1445756-6	1445777-6	Breakaway		
	18		1445759-3	1445758-3	1445757-3	1445756-3	1445777-3	Positive	Make to Order	
		1445759-4	1445758-4	1445757-4	1445756-4	1445777-4	Breakaway			
	Pin and Socket	M9.5	7	1445721-1	1445720-1	1445641-1	1445691-1	1445642-1	Positive	Standard
				1445721-2	1445720-2	1445641-2	1445691-2	1445642-2	Breakaway	
2			1-1445721-1	1-1445720-1	1-1445641-1	1-1445691-1	1-1445642-1	Positive	Make to Order	
			1-1445721-2	1-1445720-2	1-1445641-2	1-1445691-2	1-1445642-2	Breakaway		
3			1445721-9	1445720-9	1445641-9	1445691-9	1445642-9	Positive	Make to Order	
			1-1445721-0	1-1445720-0	1-1445641-0	1-1445691-0	1-1445642-0	Breakaway		
4			1445721-7	1445720-7	1445641-7	1445691-7	1445642-7	Positive	Make to Order	
			1445721-8	1445720-8	1445641-8	1445691-8	1445642-8	Breakaway		
5			1445721-5	1445720-5	1445641-5	1445691-5	1445642-5	Positive	Make to Order	
			1445721-6	1445720-6	1445641-6	1445691-6	1445642-6	Breakaway		
6			1445721-3	1445720-3	1445641-3	1445691-3	1445642-3	Positive	Make to Order	
			1445721-4	1445720-4	1445641-4	1445691-4	1445642-4	Breakaway		
M13.5			19	1445779-1	1445778-1	1445773-1	1445772-1	1445782-1	Positive	Standard
				1445779-2	1445778-2	1445773-2	1445772-2	1445782-2	Breakaway	
			12	1-1445779-5	1-1445778-5	1-1445773-5	1-1445772-5	1-1445782-5	Positive	Make to Order
		1-1445779-6		1-1445778-6	1-1445773-6	1-1445772-6	1-1445782-6	Breakaway		
		13	1-1445779-3	1-1445778-3	1-1445773-3	1-1445772-3	1-1445782-3	Positive	Make to Order	
			1-1445779-4	1-1445778-4	1-1445773-4	1-1445772-4	1-1445782-4	Breakaway		
		14	1-1445779-1	1-1445778-1	1-1445773-1	1-1445772-1	1-1445782-1	Positive	Make to Order	
			1-1445779-2	1-1445778-2	1-1445773-2	1-1445772-2	1-1445782-2	Breakaway		
		15	1445779-9	1445778-9	1445773-9	1445772-9	1445782-9	Positive	Make to Order	
			1-1445779-0	1-1445778-0	1-1445773-0	1-1445772-0	1-1445782-0	Breakaway		
		16	1445779-7	1445778-7	1445773-7	1445772-7	1445782-7	Positive	Make to Order	
			1445779-8	1445778-8	1445773-8	1445772-8	1445782-8	Breakaway		
		17	1445779-5	1445778-5	1445773-5	1445772-5	1445782-5	Positive	Make to Order	
			1445779-6	1445778-6	1445773-6	1445772-6	1445782-6	Breakaway		
		18	1445779-3	1445778-3	1445773-3	1445772-3	1445782-3	Positive	Make to Order	
1445779-4			1445778-4	1445773-4	1445772-4	1445782-4	Breakaway			

STANDARD STOCKED PART NUMBERS

FOR MORE INFORMATION

Technical Support
 Internet: www.tycoelectronics.com
 E-mail:
newproducts@tycoelectronics.com

USA: 1-800-522-6752
 Canada: 1-905-470-4425
 Mexico: 01-800-733-8926
 C. America: 52-55-5-792-0425

South America: 55-11-3611-1514
 Hong Kong: 852-2735-1628
 Japan: 81-44-844-8013
 UK: 44-141-810-8967