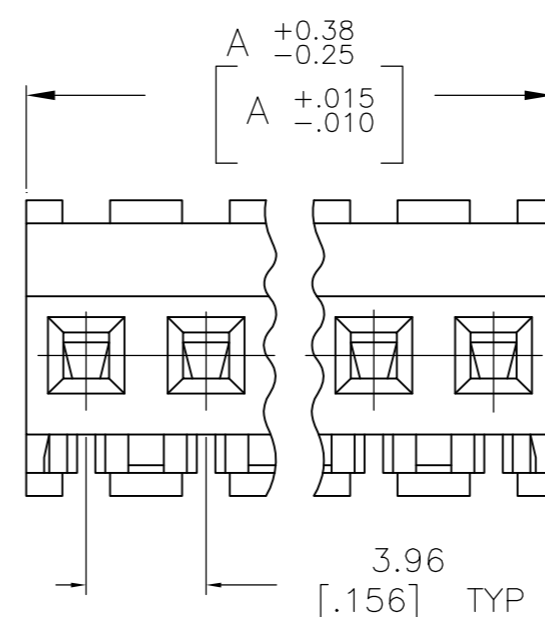
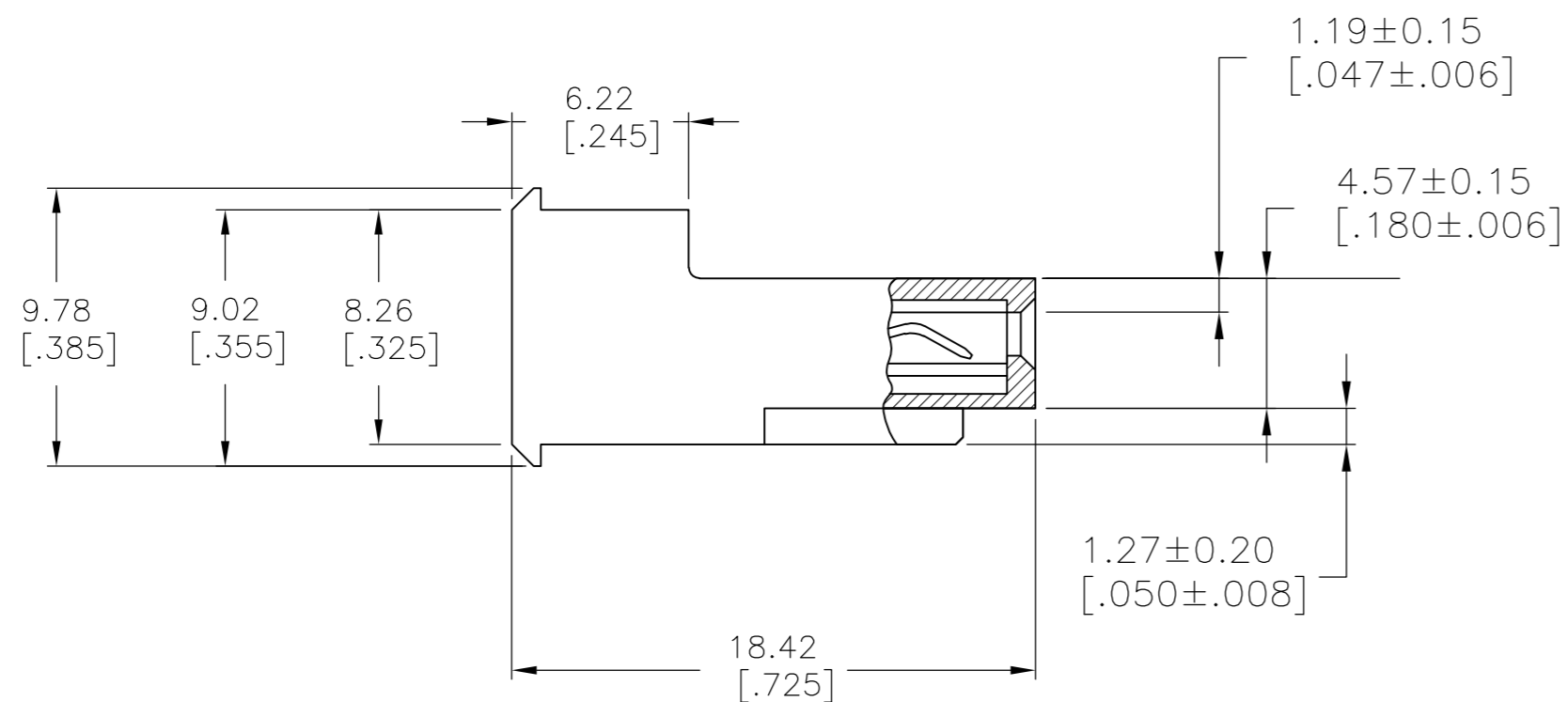
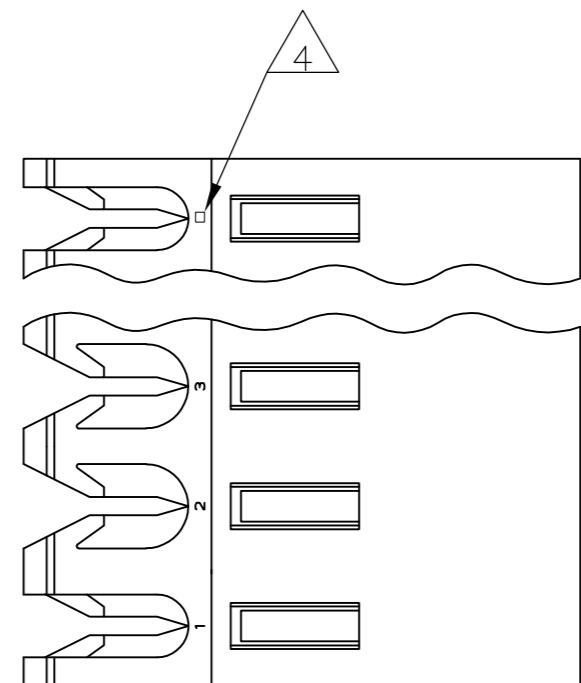


THIS DRAWING IS UNPUBLISHED. RELEASED FOR PUBLICATION
 © COPYRIGHT - By - ALL RIGHTS RESERVED.

LOC	DIST	REVISIONS					
		P	LTR	DESCRIPTION	DATE	DWN	APVD
CM	54	S2		REVISED PER ECO-11-005027	11MAR11	RK	HMR



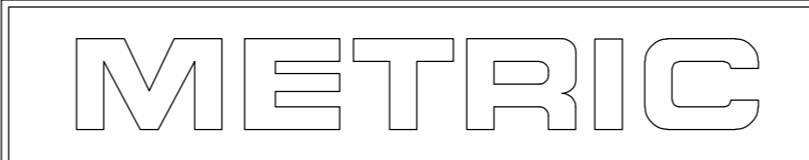
DIM A	NO OF CIRCUITS	PART NO
95.10 [3.744]	24	5-640607-4
91.14 [3.588]	23	5-640607-3
87.17 [3.432]	22	5-640607-2
83.21 [3.276]	21	5-640607-1
79.25 [3.120]	20	5-640607-0
75.29 [2.964]	19	4-640607-9
71.32 [2.808]	18	4-640607-8
67.36 [2.652]	17	4-640607-7
63.40 [2.496]	16	4-640607-6
59.44 [2.340]	15	4-640607-5
55.47 [2.184]	14	4-640607-4
51.51 [2.028]	13	4-640607-3
47.55 [1.872]	12	4-640607-2
43.59 [1.716]	11	4-640607-1
39.62 [1.560]	10	4-640607-0
35.66 [1.404]	9	3-640607-9
31.70 [1.248]	8	3-640607-8
27.74 [1.092]	7	3-640607-7
23.77 [.936]	6	3-640607-6
19.81 [.780]	5	3-640607-5
15.85 [.624]	4	3-640607-4
11.89 [.468]	3	3-640607-3
7.92 [.312]	2	3-640607-2
95.10 [3.744]	24	2-640607-4
91.14 [3.588]	23	2-640607-3
87.17 [3.432]	22	2-640607-2
83.21 [3.276]	21	2-640607-1
79.25 [3.120]	20	2-640607-0
75.29 [2.964]	19	1-640607-9
71.32 [2.808]	18	1-640607-8
67.36 [2.652]	17	1-640607-7
63.40 [2.496]	16	1-640607-6
59.44 [2.340]	15	1-640607-5
55.47 [2.184]	14	1-640607-4
51.51 [2.028]	13	1-640607-3
47.55 [1.872]	12	1-640607-2
43.59 [1.716]	11	1-640607-1
39.62 [1.560]	10	1-640607-0
35.66 [1.404]	9	640607-9
31.70 [1.248]	8	640607-8
27.74 [1.092]	7	640607-7
23.77 [.936]	6	640607-6
19.81 [.780]	5	640607-5
15.85 [.624]	4	640607-4
11.89 [.468]	3	640607-3
7.92 [.312]	2	640607-2

SUPERSEDED
 ⚠

⚠ SUPERSEDED
 ⚠ SUPERSEDED

SUPERSEDED
 ⚠

- ⚠ MATERIAL: CONNECTOR - NYLON UL94V-2 (WHITE)
 CONTACTS - 0.30[.012] THICK COPPER ALLOY
 (BRIGHT TIN-LEAD 0.00203[.000080] MIN. THICK
 FOR CONTACTS 640607-2 THRU 2-640607-4)
 (MATTE WHISKER MITIGATED TIN 0.00203[.000080] MIN
 THICKNESS OVER NICKEL UNDERPLATE FOR
 3-640607-2 THRU 5-640607-4).
- 2 CONTACTS ACCEPT 24 AWG WIRE WITH 2.41[.095] MAX INSULATION DIAMETER.
- 3 CONTACTS MUST ACCEPT 1.14±0.03[.045±.001] SQUARE POST AND REMAIN LOCKED IN POSITION.
- ⚠ IDENTIFICATION NUMBER FOR LAST CIRCUIT MAY NOT APPEAR ON ALL ASSEMBLIES.
- 5 DIMENSIONS IN BRACKETS ARE IN INCHES.
- 6 HOUSING FEATURES ARE: FEED-THRU WITHOUT LOCKING RAMP.
- ⚠ OBSOLETE PARTS: OBSOLETE CIS STREAMLINING PER D.RENAUD/D.SINISI



THIS DRAWING IS A CONTROLLED DOCUMENT.		DWN B. LEWIS 12FEB91	TE Connectivity	
DIMENSIONS: mm [INCHES]		CHK R. SWING 12FEB91		
TOLERANCES UNLESS OTHERWISE SPECIFIED:		APVD D. CLARK 19FEB91	NAME	
0 PLC ± -		PRODUCT SPEC	MTA-156 CONNECTOR ASSEMBLY, 24 AWG, STANDARD	
1 PLC ± -		APPLICATION SPEC	-	
2 PLC ± -		WEIGHT	SIZE	CAGE CODE
3 PLC ± 0.13 [.005]		114-1020	A2	00779
4 PLC ± -		WEIGHT	DRAWING NO	
ANGLES ± -		114-1020	C=640607	
FINISH		114-1020	RESTRICTED TO	
MATERIAL		114-1020	-	
⚠		114-1020	SCALE 4:1 SHEET 1 OF 1 REV S2	
CUSTOMER DRAWING				