

4

3

2

1

THIS DRAWING IS UNPUBLISHED.

RELEASED FOR PUBLICATION

-- --

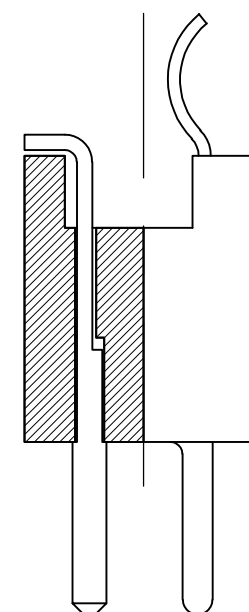
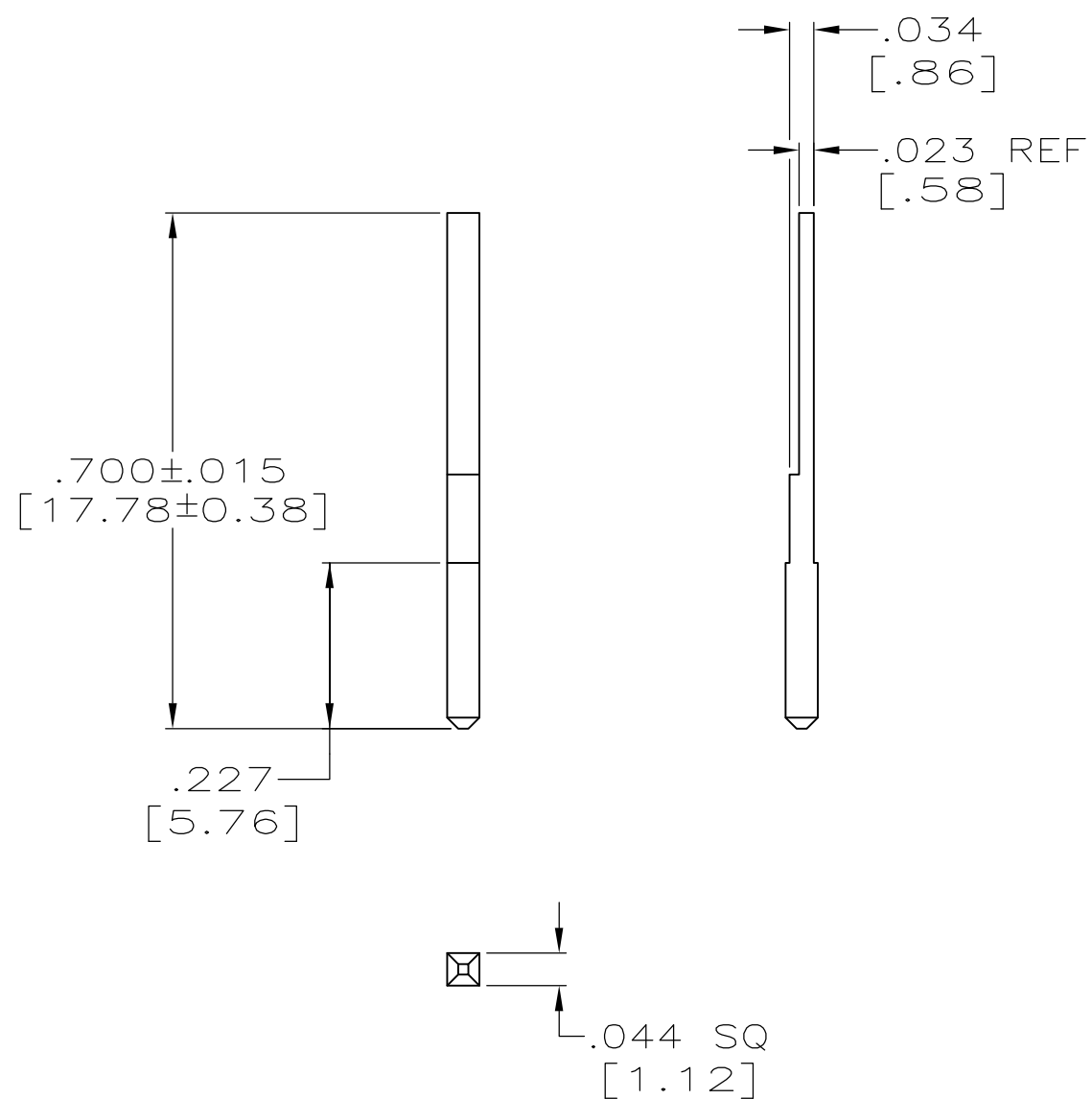
© COPYRIGHT - BY TYCO ELECTRONICS CORPORATION.

ALL INTERNATIONAL RIGHTS RESERVED.

LOC	DIST	REVISIONS					
DF	FO	P	LTR	DESCRIPTION	DATE	DWN	APVD
			B	REVISED PER ECO-10-015533	09AUG10	PY	DM

APPLICATION INFORMATION:

1. REMOVE PIN AND RECEPTACLE CONTACTS IN DESIRED KEYING POSITIONS.
2. INSERT KEYING PIN IN PIN HEADER, SECURE BY BENDING OVER OUTSIDE EDGE OF HOUSING AND TRIM EXCESS MATERIAL.



M55302/31-03	530328-2
MILITARY PART NUMBER	PART NUMBER

THIS DRAWING IS A CONTROLLED DOCUMENT.		DWN T. ALEXANDER 12-14-94	Tyco Electronics Corporation Harrisburg, PA 17105-3608	
DIMENSIONS: mm		CHK D. MILLER 12-22-94	NAME SOLID KEYING PIN FOR BOX CONNECTORS	
TOLERANCES UNLESS OTHERWISE SPECIFIED:		APVD B. FOLEY 12-22-94	PRODUCT SPEC -	
0 PLC ± -		APPLICATION SPEC -		
1 PLC ± -		SIZE A3		
2 PLC ± -		CAGE CODE 00779		
3 PLC ± .005 [.13]		DRAWING NO C-530328		
4 PLC ± -		RESTRICTED TO -		
ANGLES ± -		WEIGHT -		
MATERIAL BRASS	FINISH NICKEL PLATED	SCALE 4:1		
CUSTOMER DRAWING		SHEET 1 OF 1		
		REV B		