

4

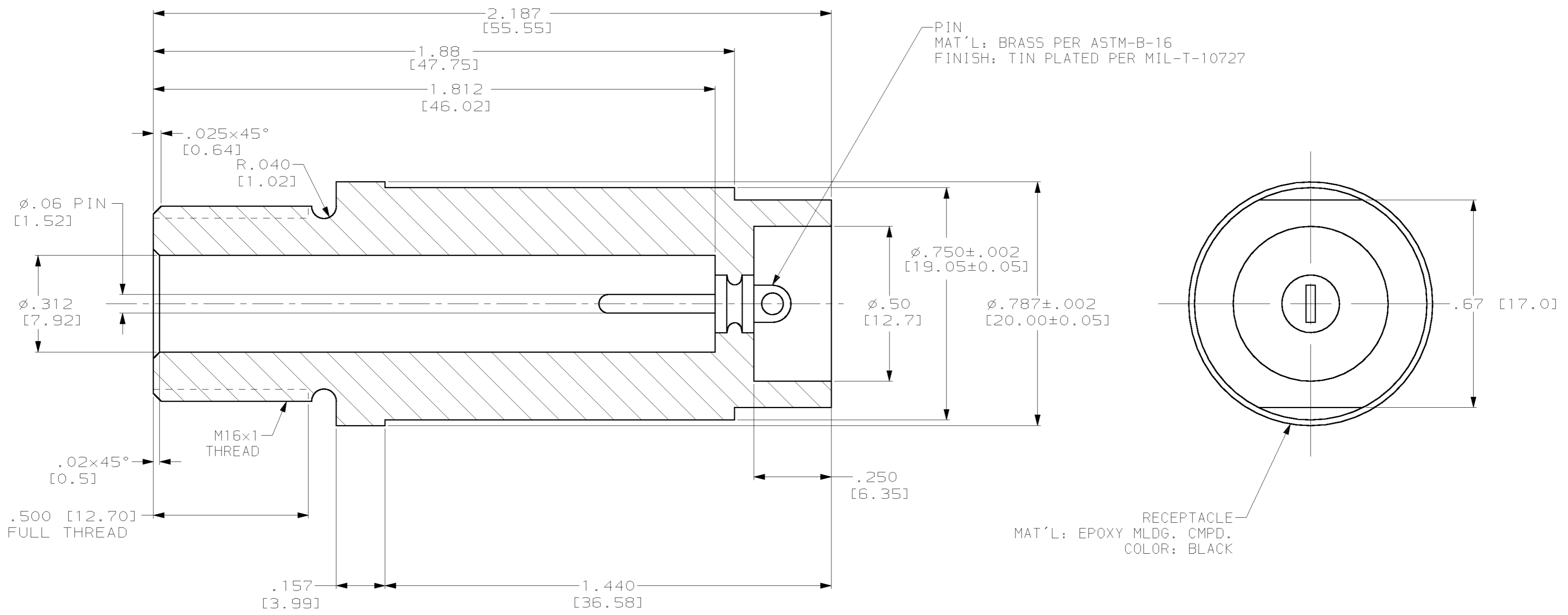
3

2

1

THIS DRAWING IS UNPUBLISHED. RELEASED FOR PUBLICATION
 BY AMP INCORPORATED, ALL RIGHTS RESERVED.

PROD	LOC	DIST	REVISIONS					
CODE			P	LTR	DESCRIPTION	DATE	DWN	APVD
4087	DF	50		B	REV PER 063D-0193-02	12-02	JR	DE



1. MARKED PER MIL-STD-130.
2. RECEPTACLE TO MATE WITH ANY AMP LGH-3 LEAD ASSEMBLY.
3. RECEPTACLE IS HERMETICALLY SEALED.

443067-1
 PART NO.

THIS DRAWING IS A CONTROLLED DOCUMENT FOR AMP INCORPORATED. IT IS SUBJECT TO CHANGE AND THE CONTROLLING ENGINEERING ORGANIZATION SHOULD BE CONTACTED FOR THE LATEST REVISION.		CHK C.C. THOMAS 10-4-94	APVD D. WEYANDT 10-5-94	NAME D. WEYANDT 10-5-94	AMP Incorporated Harrisburg, PA 17105-3608
DIMENSIONS: INCHES [mm]	TOLERANCES UNLESS OTHERWISE SPECIFIED: 0 PLC ± - 1 PLC ± - 2 PLC ± .01 [0.3] 3 PLC ± .005 [0.13] 4 PLC ± -	PRODUCT SPEC	APPLICATION SPEC	WEIGHT	SIZE A2
MATERIAL SEE CALLOUTS	FINISH SEE CALLOUTS	CUSTOMER DRAWING	SCALE 4:1	SHEET 1 OF 1	DRAWING NO. C=443067