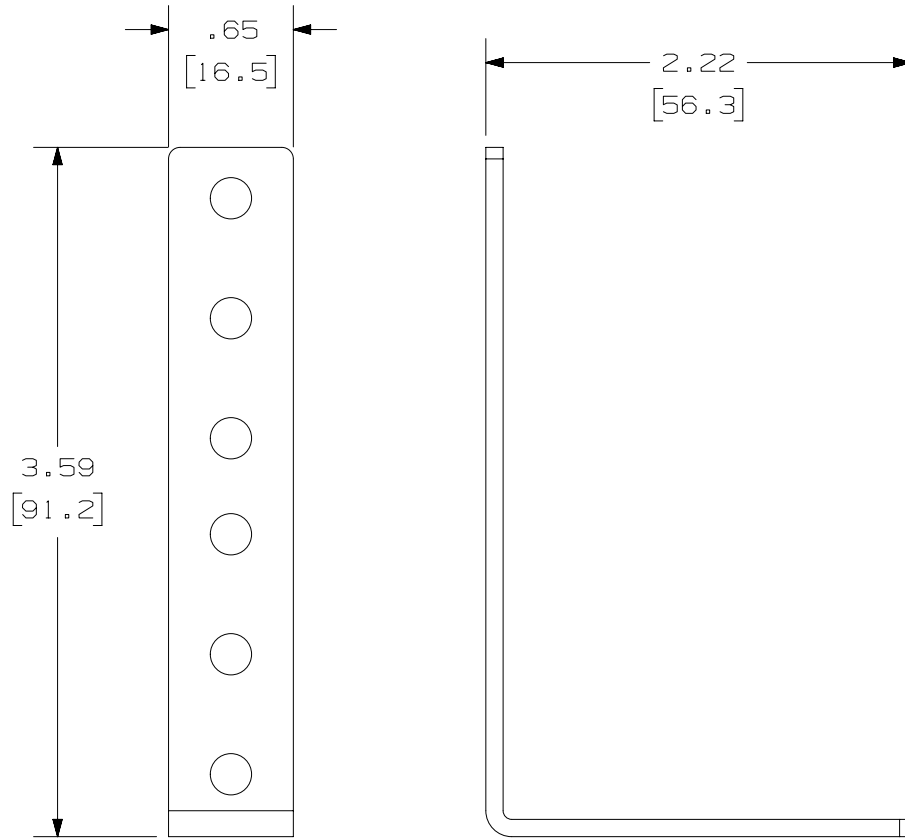


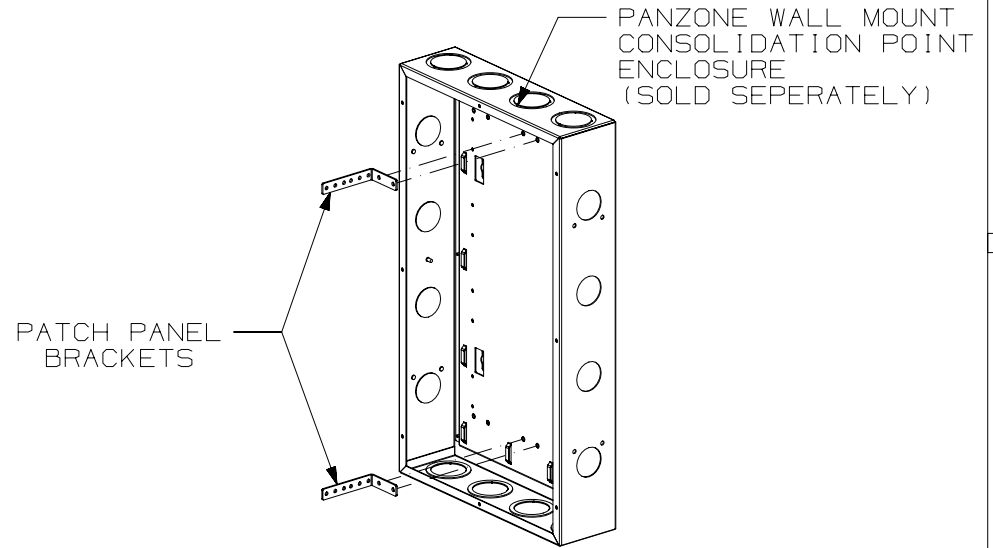
THIS COPY IS PROVIDED ON A RESTRICTED BASIS AND IS NOT TO BE USED IN ANY WAY DETRIMENTAL TO THE INTERESTS OF PANDUIT CORP.



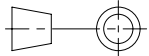
PANDUIT P/N	WEIGHT
PZBPPB	.32 LB/EACH PC (145.1 g/EACH PC)

NOTES:

1. SEE CURRENT CATALOG FOR ADDITIONAL PART NUMBER SUFFIXES TO INDICATE COLOR AND OR PACKAGE QUANTITY.
2. SEE CATALOG FOR COMPLETE LIST OF PARTS APPLICABLE FOR USE WITH THIS PART.
3. DIMENSIONS IN PARENTHESES ARE IN METRIC.
4. PART INCLUDES:  
1- SCREW KIT (INCLUDES FOUR #12-24 SCREWS)  
2- BRACKET



REV	DATE	BY	CHK	APR	DESCRIPTION	ECN
04B	6-18-15	TWV	BAME	KRKE	ADDED NEW INSTALL VIEW	01324-36
04A	6-23-14	BAME	FGR	TCO	UPDATED TITLE BLOCK	01324-36
R	1-17-03	JsP			RELEASED TO PRODUCTION	01324-36

TITLE <b>PATCH PANEL BRACKETS FOR PANZONE™ WALL MOUNT ENCLOSURE (PZBPPB)</b> CUSTOMER DRAWING			
ITEM REVISION NAME <b>M01324CF/04</b>		<b>PANDUIT</b>	
DATASET FILE NAME <b>M01324CF_DC/04B</b>			
UNLESS OTHERWISE SPECIFIED, DIMENSIONAL TOLERANCES ARE: IN ( mm )		MATERIAL:  <b>CRS</b>	
.X ± .XX ± .XXX ± ANGLES ±  THIRD ANGLE PROJECTION		DRAWING NUMBER: <b>01324-36</b>	
DRAWN BY <b>JsP</b>	DATE <b>1-27-03</b>	CHK <b>NONE</b>	SCALE <b>SHT 1 OF 1</b>
		SIZE <b>A</b>	