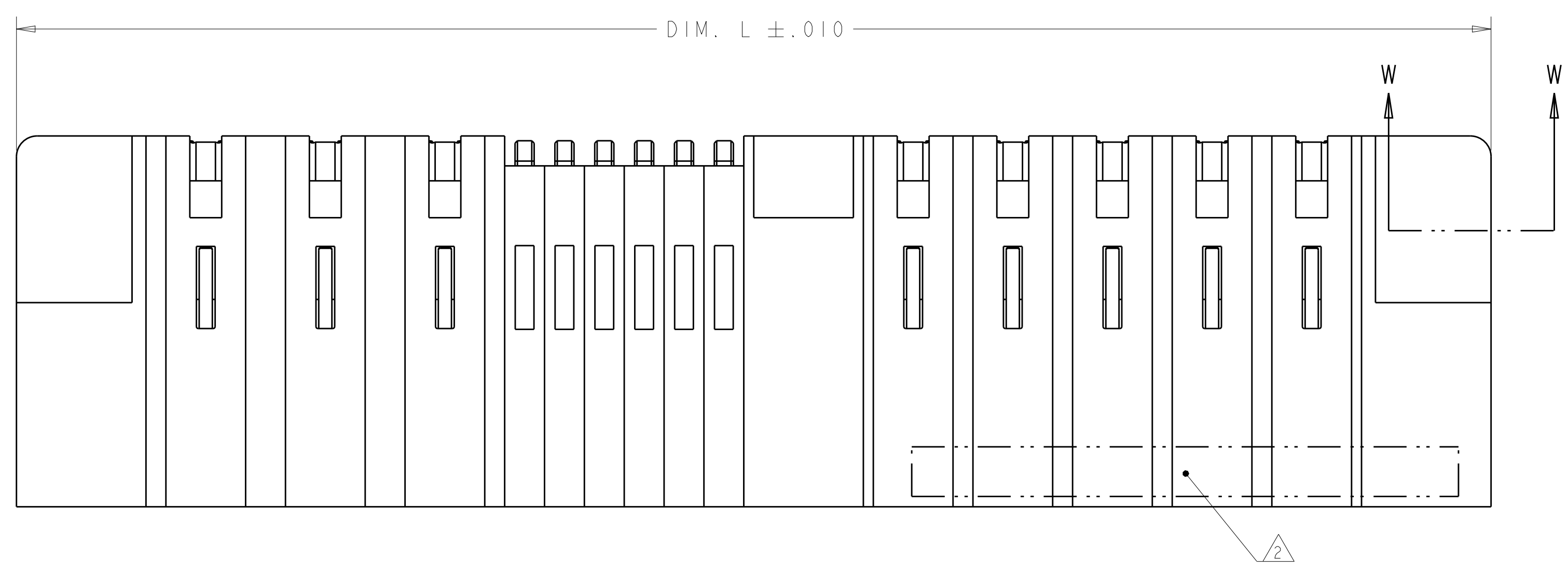
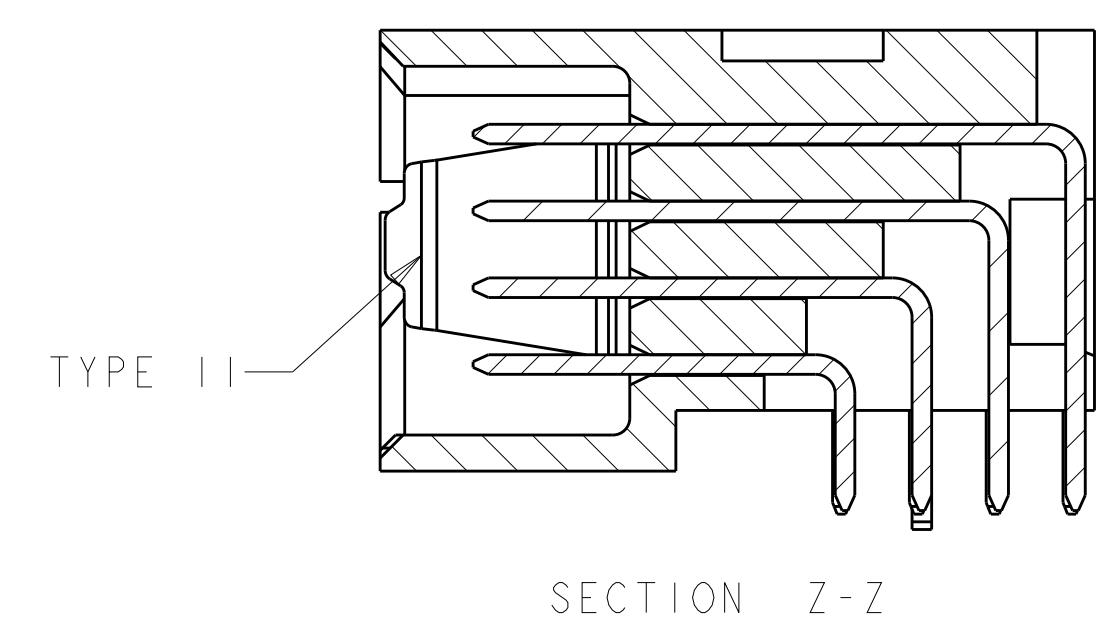
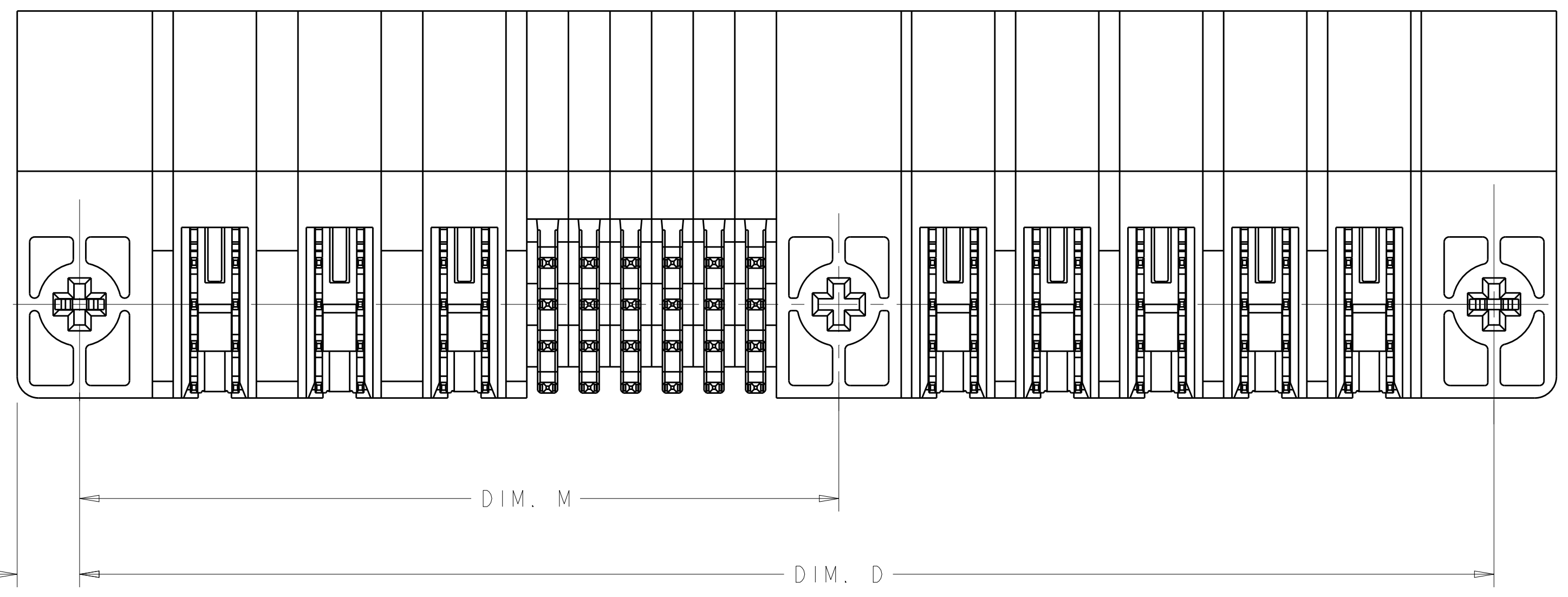
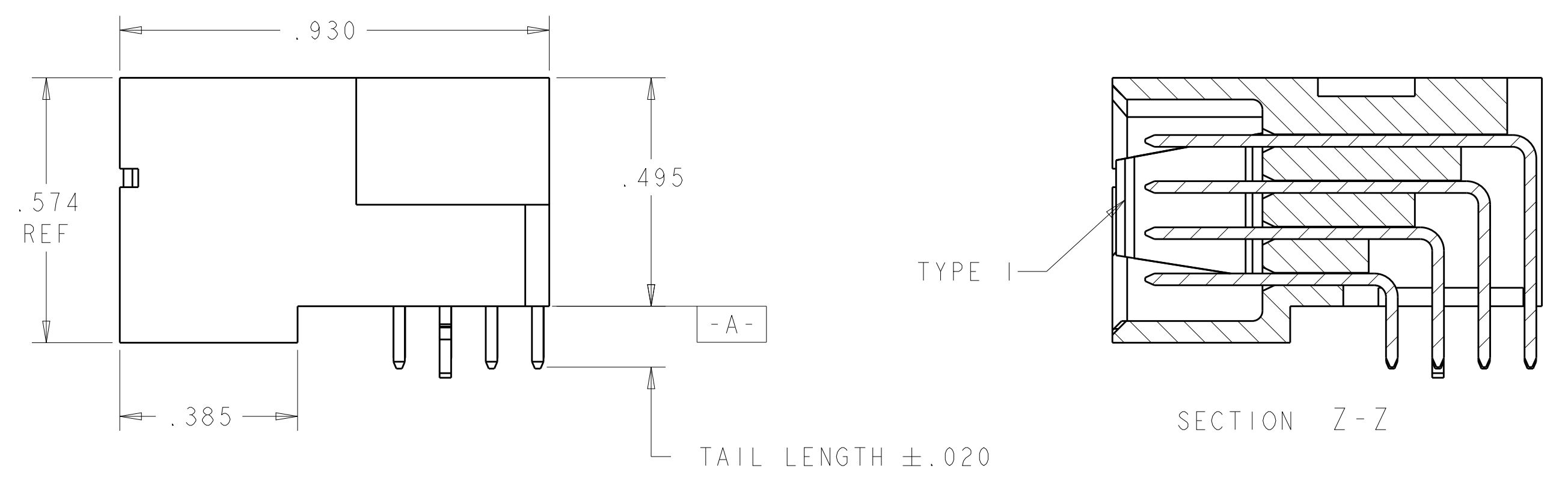
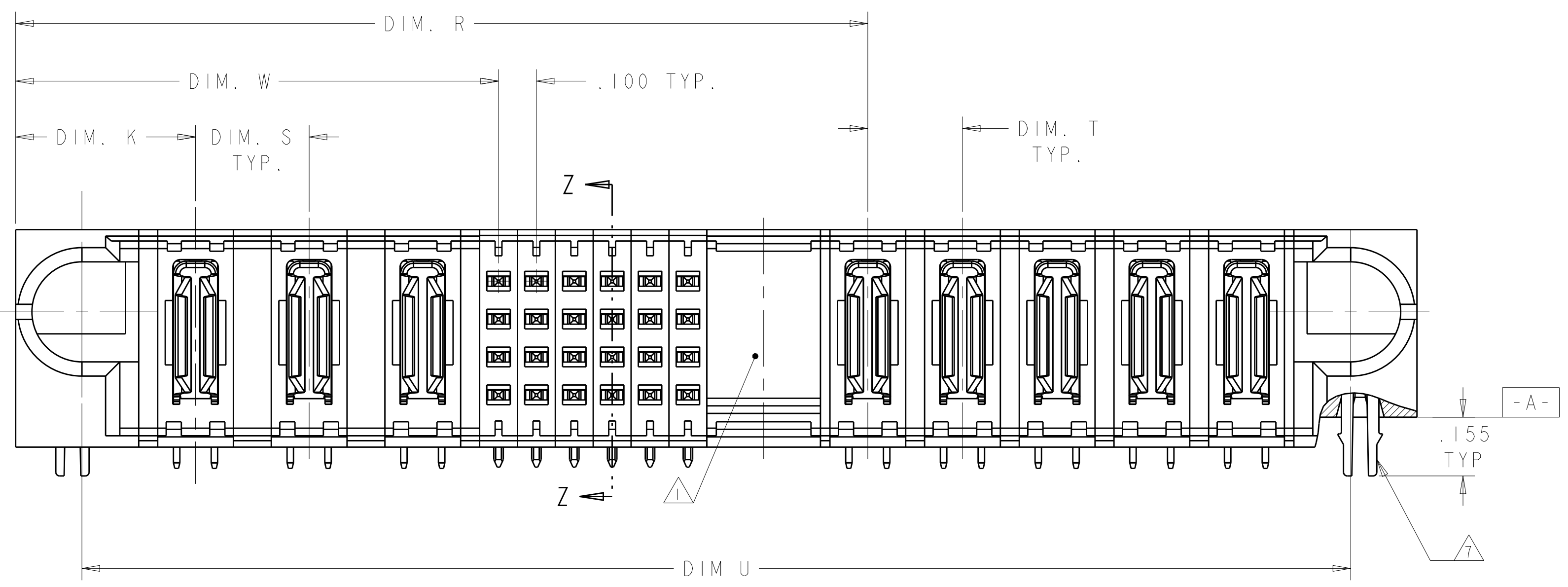


REVISIONS				
P.	LTN	DESCRIPTION	DATE	APVD
F1		ADD NEW DASH NUMBER 2-4	05JAN2014	CZ SZ
F2		ADD NEW DASH NUMBER 2-5	09MAR2015	CZ SZ
F3		ADD NEW DASH NUMBER 2-6	24MAR2015	CZ SZ



- △ OPTIONAL CENTER MODULE WITH Ø.150 THRU HOLE OR HOLD DOWN FEATURE.
- △ "AMP", PART NUMBER, AND DATE CODE TO BE MARKED IN AREA SHOWN. PARTS UNDER 2.00 LONG MAY BE MARKED ON BOTH SIDES.
- △ MATERIAL: HOUSING - GLASS FILLED HIGH TEMP THERMO PLASTIC, UL94 V-0
 SIGNAL CONTACT - COPPER ALLOY
 POWER CONTACT - HIGH CONDUCTIVITY COPPER ALLOY
- △ CONTACT PLATING: NOBLE METAL PLATING ON CONTACT FUNCTIONAL AREA
- △ MECHANICAL CONNECTOR KEEP OUT ZONE.
- △ DATUM AND BASIC DIMENSIONS ESTABLISHED BY CUSTOMER.
- △ HOLD DOWN SEATING DEPTH DIMENSION FOR 1450130-4 IS .185 TYP
- △ PCB - ALL HOLE DIAMETERS ARE FINISHED HOLE SIZES.
- △ PCB - .0453 +/- .0010 DRILLED HOLES PLATES WITH .0003 MIN Sn OVER .001 TO .003 Cu PLATING TO ACHIEVE A .040±.003 DIA HOLE.
- △ VARIABLE DIMENSIONS SHOWN ON VIEW (SHEET 4).



THIS DRAWING IS A CONTROLLED DOCUMENT.		DWN: R. GRZYBOWSKI CHK: M. PERCZERKE APVD: M. PERCZERKE	DIMAROS DIMAROS DIMAROS	TE Connectivity
DIMENSIONS: INCHES	TOLERANCES UNLESS OTHERWISE SPECIFIED: 0 PLC ±. 1 PLC ±.01 2 PLC ±.005 3 PLC ±.0020 ANGLES ±.2°	NAME: RIGHT ANGLE HEADER ASSEMBLY PRODUCT SPEC: 108-1973 APPLICATION SPEC: 114-13038 WEIGHT: - CUSTOMER DRAWING	SIZE: A1 CAGE CODE: - DRAWING NO: C=6600130	

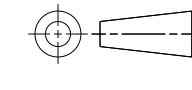

THIS DRAWING IS UNPUBLISHED. RELEASED FOR PUBLICATION 20
 © COPYRIGHT 20 BY - ALL RIGHTS RESERVED.

REVISIONS				
P.	LTN	DESCRIPTION	DATE	APP'D
-	-	SEE SHEET 1	-	-

PWR CON TYPE	DIM U	DIM S	DIM T	DIM R	DIM W	DIM D	DIM M	DIM L	DIM K	DESCRIPTION	PART NUMBER
I	1.900	.300	.250	1.550	1.275	1.950	-	2.250	.475	3ACP + 8S + 2P	2-6600130-6
I	1.700	.250	.250	1.350	.875	1.750	-	2.050	.450	2P + 16S + 2P	2-6600130-5
I	1.800	.300	.300	1.375	1.025	1.850	-	2.150	.475	2ACP + 8S + 2ACP	2-6600130-4
I	2.400	.250	.250	1.550	.875	2.450	-	2.750	.450	2P + 24S + 4P	2-6600130-2
I	2.300	.200	.200	1.650	1.225	2.350	-	2.650	.450	4P + 12S + 4P	2-6600130-1
I	2.200	.250	.250	1.350	.875	2.250	-	2.550	.450	2P + 16S + 4P	2-6600130-0
I	2.325	.300	.250	1.975	1.600	2.375	-	2.675	.450	4ACP + 12S + 2P	1-6600130-9
I	2.900	.250	.250	2.050	1.375	2.950	-	3.250	.450	4P + 24S + 4P	1-6600130-8
I	4.400	.250	.250	2.800	2.125	4.450	-	4.750	.450	7P + 24S + 7P	1-6600130-7
I	5.400	.250	.250	3.300	2.625	5.450	-	5.750	.450	9P + 24S + 9P	1-6600130-6
I	2.200	.250	.250	1.350	.875	2.250	-	2.550	.450	2P + 16S + 4P	1-6600130-5
I	2.500	.250	.250	2.150	1.425	2.550	-	2.850	.450	4P + 24S + 2P	1-6600130-4
I	2.800	Δ	.250	2.450	1.975	2.850	-	3.150	.450	6P + 16S + 2P	1-6600130-3
II	3.200	.200	.200	2.125	1.575	3.250	-	3.550	.425	6P + 20S + 6P	1-6600130-1
I	5.450	Δ	Δ	3.075	2.425	5.500	-	5.800	.425	10P + 24S + 12P	6600130-8
I	3.650	.250	.250	2.550	1.875	3.700	-	4.000	.450	6P + 24S + 5P	6600130-6
I	4.350	.250	.250	3.000	2.125	4.400	-	4.700	.450	7P + 32S + 6P	6600130-5
I	5.100	.250	.250	3.250	2.375	5.150	-	5.450	.450	8P + 32S + 8P	6600130-4
I	7.400	.250	.250	5.050	2.875	7.450	-	7.750	.450	10P + 84S + 10P	6600130-3
I	3.300	.300	.250	1.950	1.275	3.350	-	3.650	.475	3ACP + 24S + 6P	6600130-2
I	3.050	.300	.250	1.950	1.275	3.100	-	3.400	.475	3ACP + 24S + 5P	6600130-1

F3

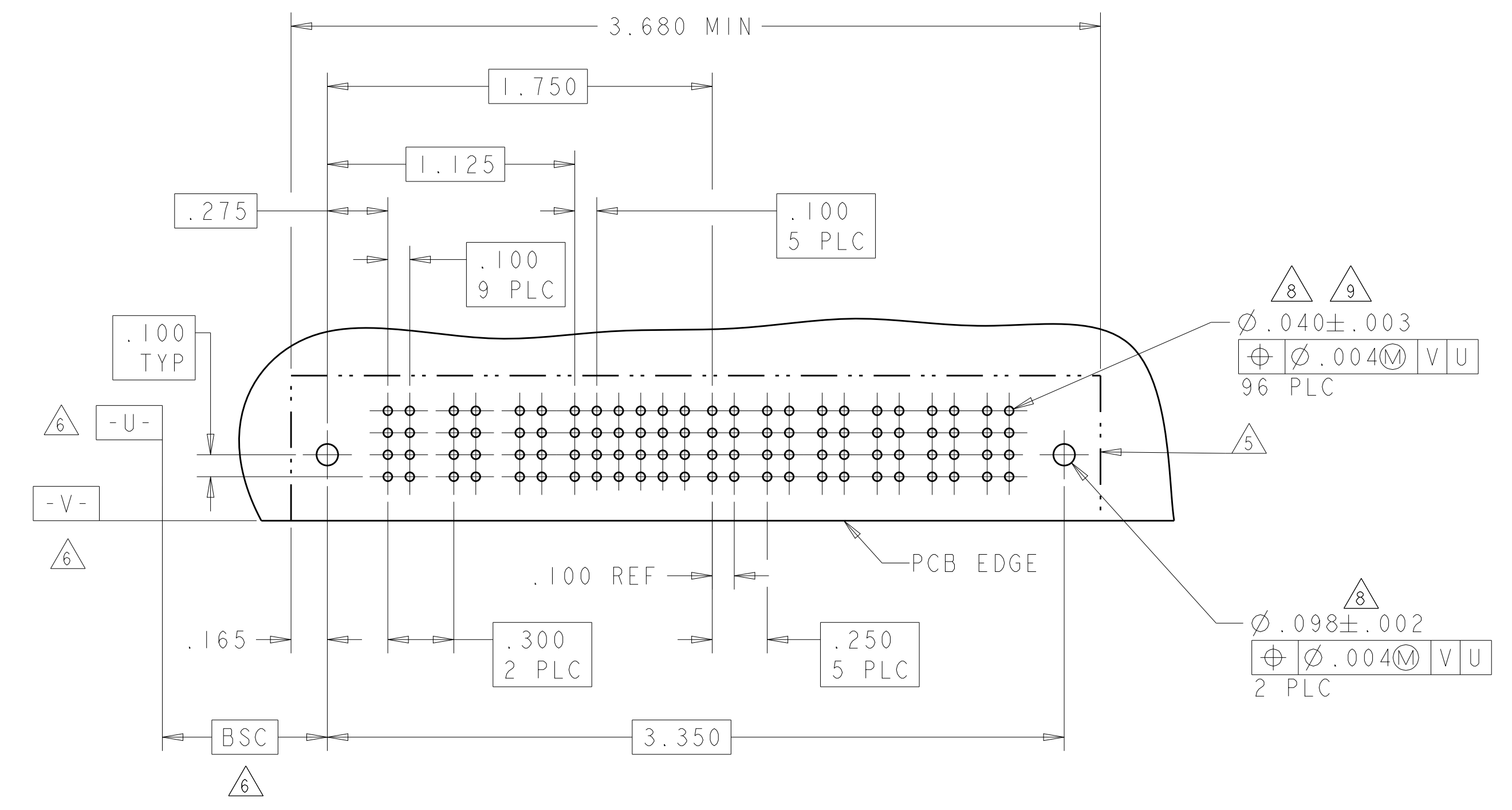
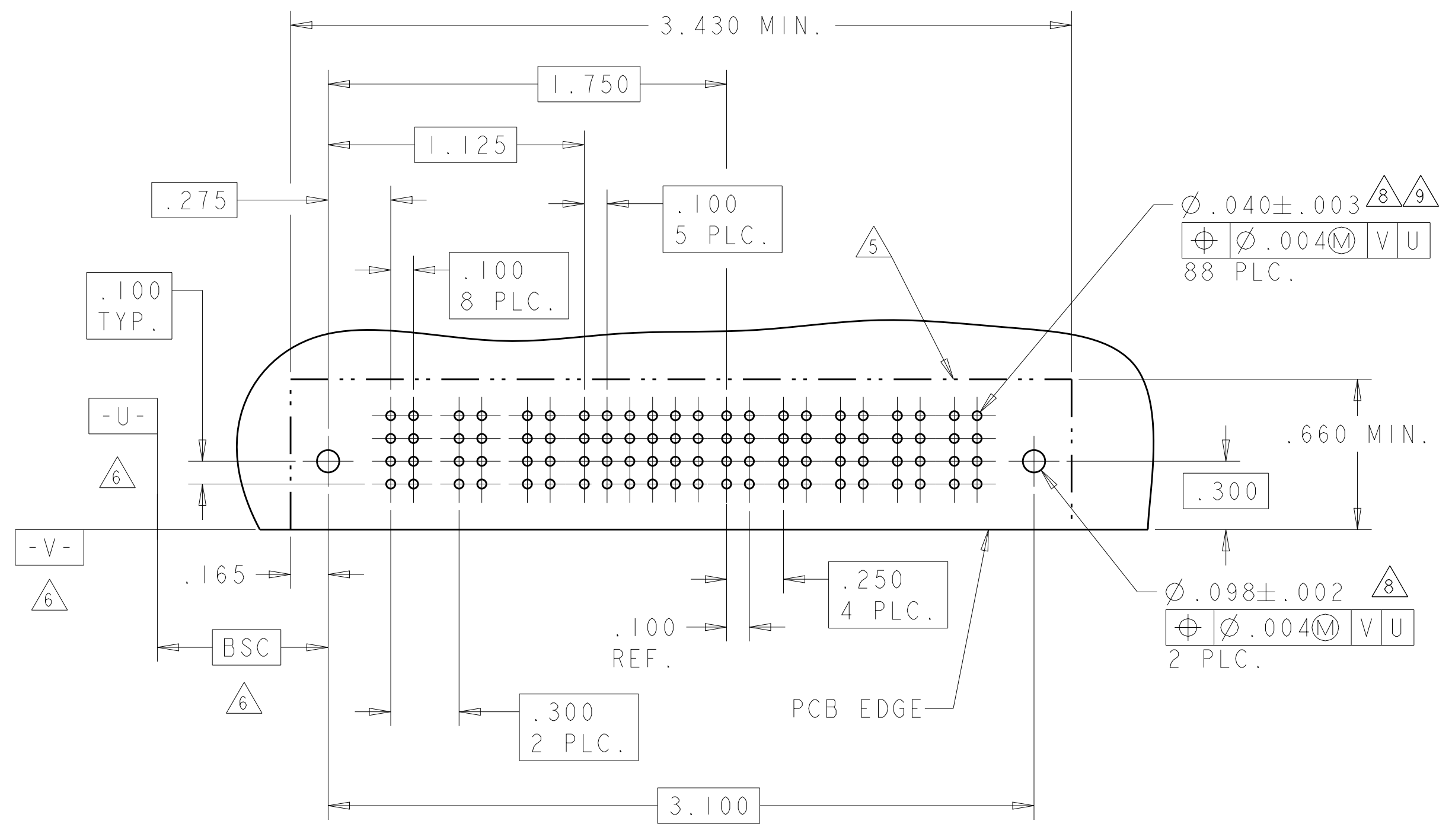
THIS DRAWING IS A CONTROLLED DOCUMENT.

DIMENSIONS: INCHES 	TOLERANCES UNLESS OTHERWISE SPECIFIED: 0 PLC ±. 1 PLC ±.01 2 PLC ±.01 3 PLC ±.005 4 PLC ±.0020 ANGLES ±.02°	DWN: R. GRZYBOWSKI CHK: M. PERCHERKE APVD: M. PERCHERKE DIMAR05 DIMAR05 NAME: M. PERCHERKE PRODUCT SPEC: 108-1973 APPLICATION SPEC: 114-13038 WEIGHT: - CUSTOMER DRAWING	 TE Connectivity RIGHT ANGLE HEADER ASSEMBLY DUAL BEAM POWER CONTACT MULTI-BEAM XL SIZE: A1 CAGE CODE: - DRAWING NO: 6600130 SCALE: 4:1 SHEET: 2 OF 12 REV: F3
--	---	---	--

REVISIONS				
P.	LTN.	DESCRIPTION	DATE	APVD.
-	-	SEE SHEET 1	-	-

PART NUMBER	ROWS	POWER			SIGNAL						POWER				
		P1	P2	P3	1	2	3	4	5	6	P4	P5	P6	P7	P8
6600130-1	D C B A	PS	PS	PS	J	J	J	J	E	J	PS	PS	PS	PS	PS
					K	K	F	K	K	K					
					N	N	N	N	N	G					
					S	S	H	S	S	S					
3ACP + 24S + 5P															

PART NUMBER	ROWS	POWER			SIGNAL						POWER					
		P1	P2	P3	1	2	3	4	5	6	P4	P5	P6	P7	P8	P9
6600130-2	D C B A	PS	PS	PS	J	J	J	J	J	J	PS	PS	PS	PS	PS	PS
					K	K	K	K	K	K						
					N	N	N	N	N	N						
					H	S	S	S	S	S						
3ACP + 24S + 6P																



FN	MFBL	.135	B
E	MLBF	.135	D
F	MLBF	.135	C
G	MLBF	.135	B
H	MLBF	.135	A
J	STD	.135	D
K	STD	.135	C
N	STD	.135	B
S	STD	.135	A
CODE	MATING SEQUENCE	TAIL LENGTH	ROW
SIGNAL CONTACT			

TS	PS	CODE	TAIL LENGTH	DESCRIPTION
.135	.135			DUAL-BEAM(11)
.135	.135			DUAL-BEAM(1)
				POWER CONTACT

THIS DRAWING IS A CONTROLLED DOCUMENT.		DWN: B. GRZYBOWSKI CHK: M. PERCHERKE APVD: M. PERCHERKE
DIMENSIONS: INCHES	TOLERANCES UNLESS OTHERWISE SPECIFIED:	
	0 PLC ± .01	
	1 PLC ± .01	
	2 PLC ± .01	
	3 PLC ± .005	
	4 PLC ± .002	
	ANGLES ± .020	
MATERIAL	FINISH	

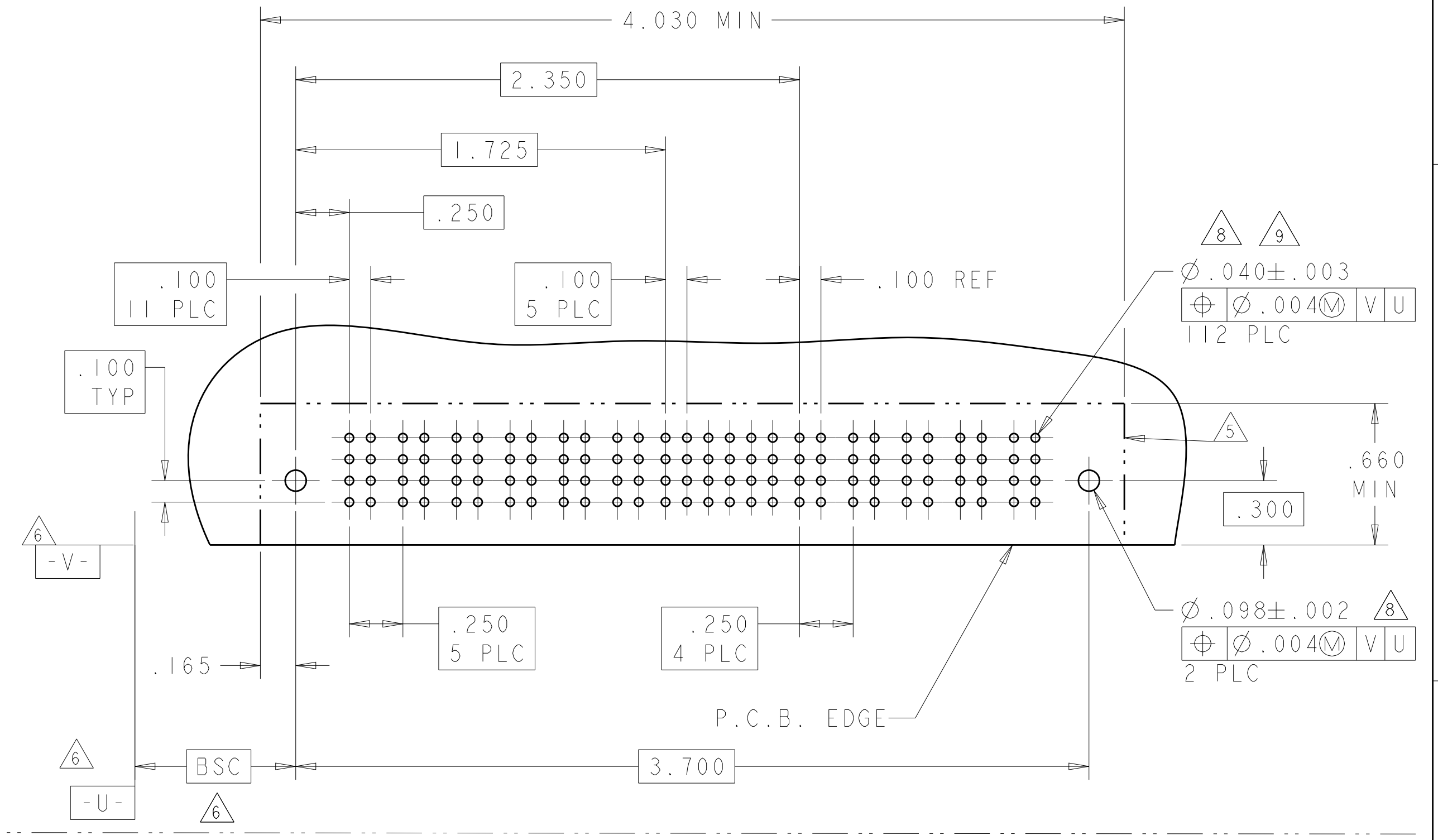
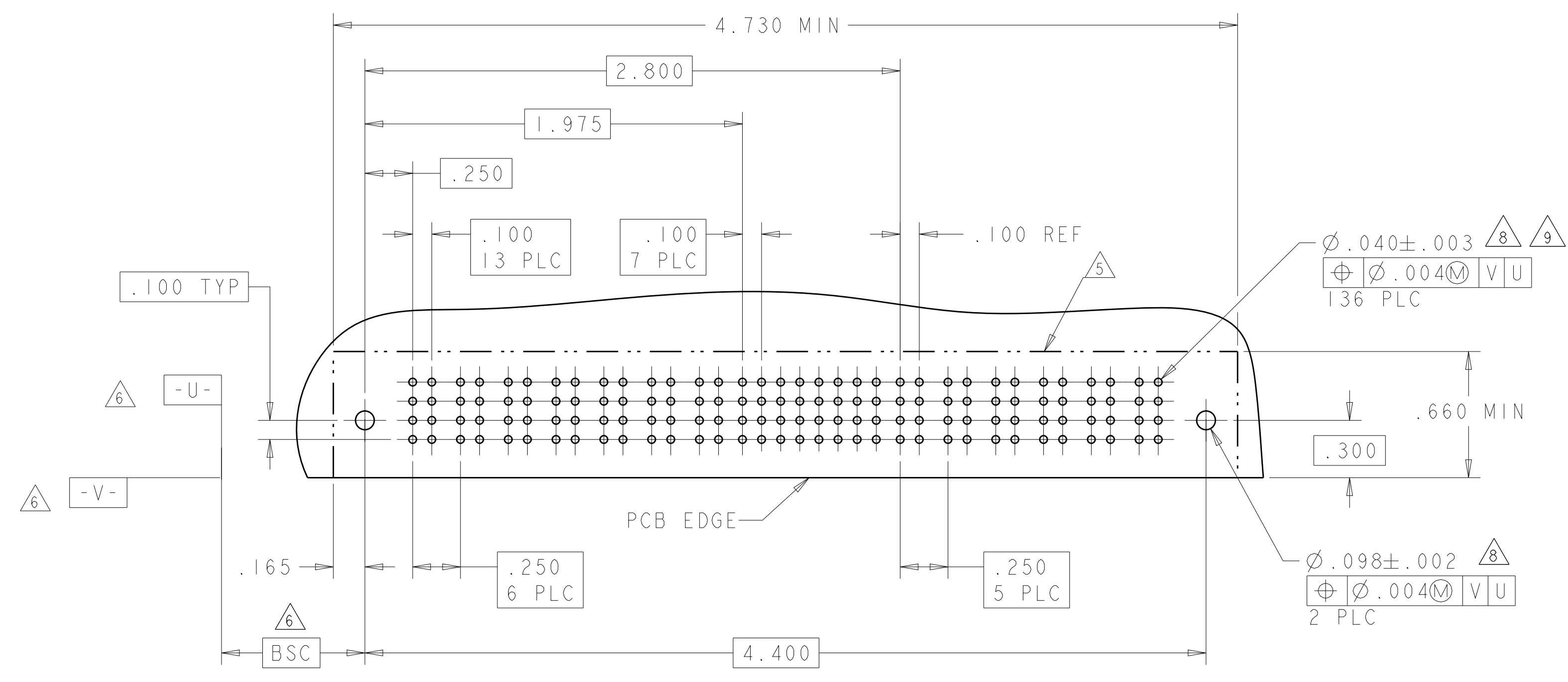
NAME	RIGHT ANGLE HEADER ASSEMBLY		
PRODUCT SPEC	108-1973		
APPLICATION SPEC	114-13038		
SIZE	A1	CAGE CODE	6600130
RESTRICTED TO			

STE TE Connectivity
 SCALE 4:1 SHEET 3 OF 12 REV F3

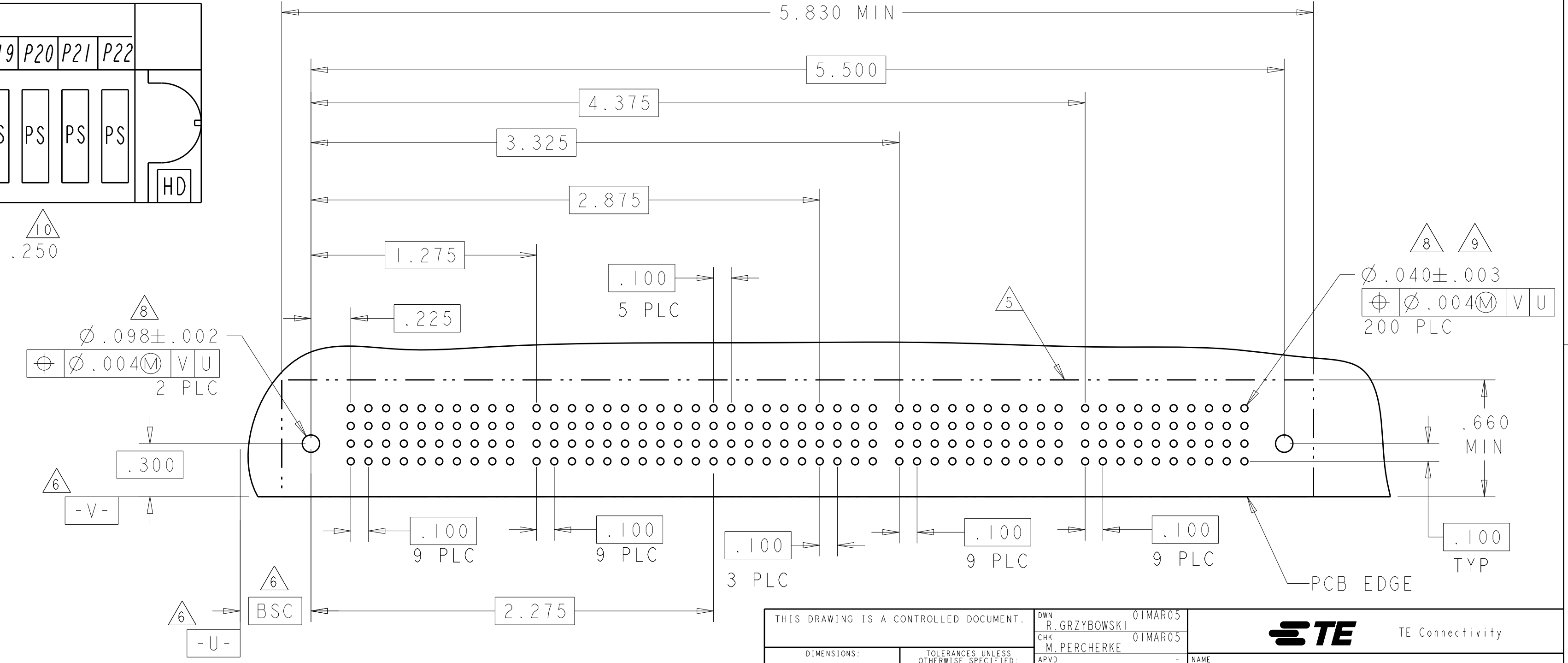
REVISIONS				
P. LTH	DESCRIPTION	DATE	OWN	APVD
-	SEE SHEET 1	-	-	-

PART NUMBER	ROWS	POWER							SIGNAL								POWER				
		P1	P2	P3	P4	P5	P6	P7	1	2	3	4	5	6	7	8	P8	P9	P10	P11	P12
6600130-5	D C B A	PS	PS	PS	PS	PS	PS	J	J	J	J	E	J	J	J	PS	PS	PS	PS	PS	PS
								K	K	F	K	K	K	K							
								N	N	N	N	N	G	N	N						
7P + 32S + 6P		HD		HD		HD		HD		HD		HD		HD		HD					

PART NUMBER	ROWS	POWER						SIGNAL						POWER				
		P1	P2	P3	P4	P5	P6	1	2	3	4	5	6	P7	P8	P9	P10	P11
6600130-6	D C B A	PS	PS	PS	PS	PS	J	J	J	J	E	J	PS	PS	PS	PS	PS	
							K	K	F	K	K	K						
							N	N	N	N	N	G						
6P + 24S + 5P		HD		HD		HD		HD		HD		HD		HD				



PART NUMBER	ROWS	POWER										SIGNAL						POWER									
		P1	P2	P3	P4	P5	P6	P7	P8	P9	P10	1	2	3	4	5	6	P11	P12	P13	P14	P15	P16	P17	P18	P19	P20
6600130-8	D C B A	PS	PS	PS	PS	PS	PS	PS	PS	PS	J	J	J	J	J	J	PS	PS	PS	PS	PS	PS	PS	PS	PS	PS	PS
											K	K	K	K	K	K											
											N	N	N	N	N	N											
10P + 24S + 12P		HD		HD		HD		HD		HD		HD		HD		HD		HD		HD		HD		HD			

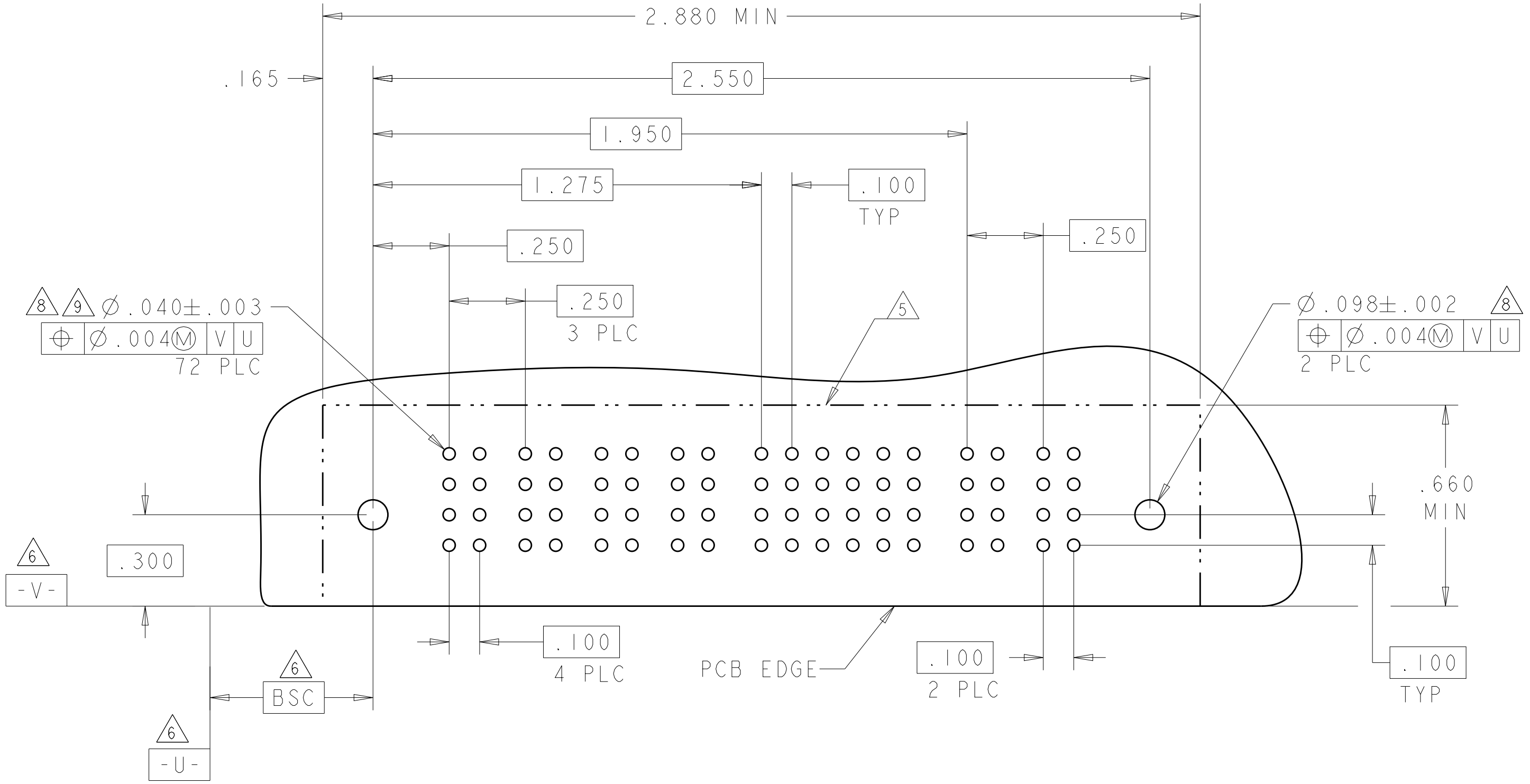


THIS DRAWING IS A CONTROLLED DOCUMENT.

DIMENSIONS: INCHES	TOLERANCES UNLESS OTHERWISE SPECIFIED:	OWN: R. GRZYBOWSKI CHK: M. PERCHERKE APVD: M. PERCHERKE	OTIMAROS OTIMAROS
MATERIAL	FINISH	PRODUCT SPEC: 108-1973 APPLICATION SPEC: 114-13038	NAME: RIGHT ANGLE HEADER ASSEMBLY DUAL BEAM POWER CONTACT MULTI-BEAM XL
CUSTOMER DRAWING		SIZE: A1 CAGE CODE: 6600130	RESTRICTED TO: -

SCALE: 4:1 SHEET 5 OF 12 REV: F3

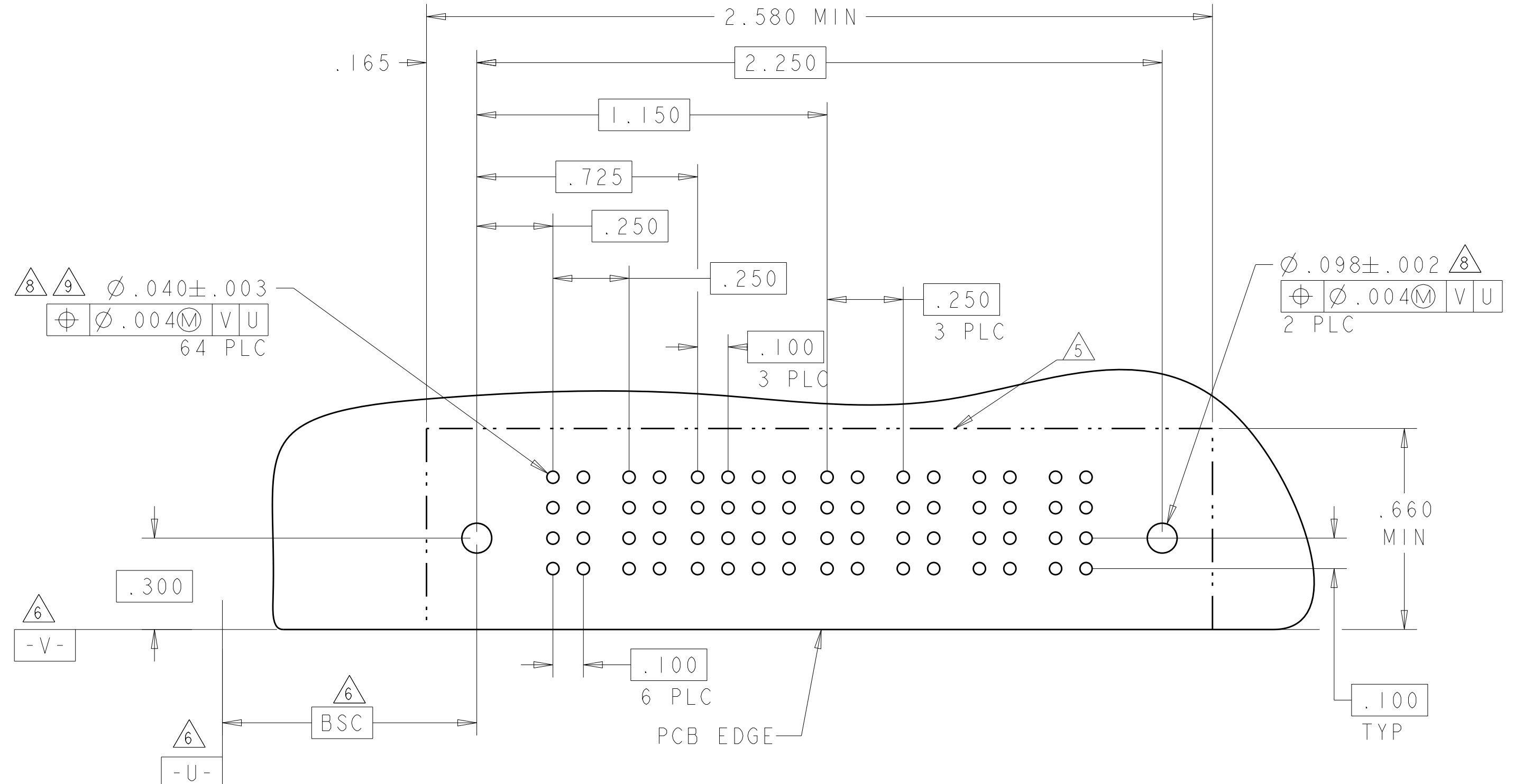
PART NUMBER	ROWS	POWER				SIGNAL						POWER	
		P1	P2	P3	P4	1	2	3	4	5	6	P5	P6
1-6600130-4	D C B A	PS	PS	PS	PS	J	J	J	J	J	J	PS	PS
						K	K	K	K	K	K		
						N	N	N	N	N	N		
4P + 24S + 2P						S	S	S	S	S	S		



REVISIONS				
P	LTN	DESCRIPTION	DATE	APP'D
-	-	SEE SHEET 1	-	-

PART NUMBER	ROWS	POWER		SIGNAL				POWER			
		P1	P2	1	2	3	4	P5	P6	P5	P6
1-6600130-5	D C B A	PS	PS	J	J	J	J	PS	PS	PS	PS
				K	K	K	K				
				N	N	N	N				
2P + 24S + 4P				S	S	S	S				

PART NUMBER	ROWS	POWER		SIGNAL				POWER			
		P1	P2	1	2	3	4	P5	P6	P5	P6
2-6600130-0	D C B A	PS	PS	J	J	J	J	PS	PS	PS	PS
				K	K	K	K				
				N	N	N	N				
2P + 16S + 4P				S	S	S	S				

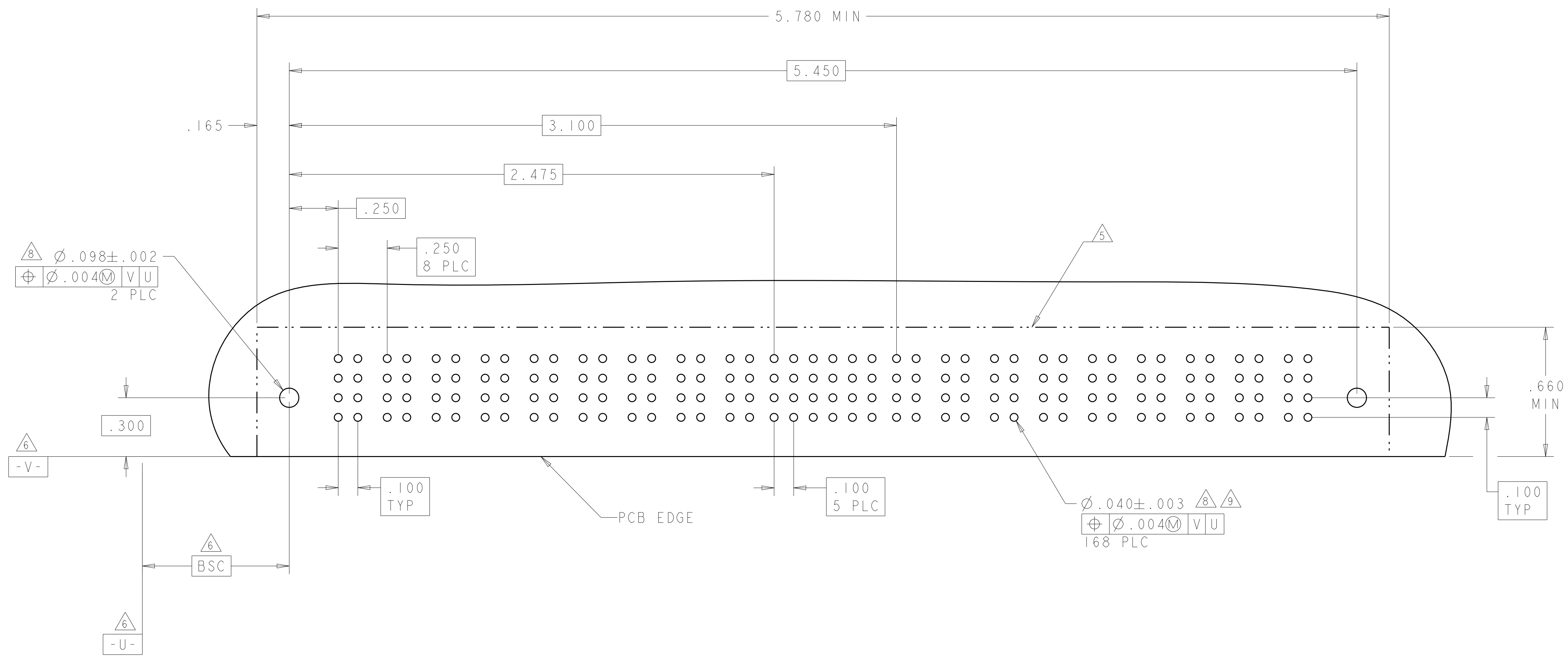


1-6600130-5 AND 2-66600130-0 PCB LAYOUT

THIS DRAWING IS A CONTROLLED DOCUMENT.		DWN: R. GRZYBOWSKI CHK: M. PERCHERKE APVD: M. PERCHERKE	DIMENSIONS: INCHES TOLERANCES UNLESS OTHERWISE SPECIFIED: 0 PLC ±. 1 PLC ±.01 2 PLC ±.01 3 PLC ±.005 4 PLC ±.0020 ANGLES ±.020	DIMAROS DIMAROS NAME: M. PERCHERKE PRODUCT SPEC: 108-1973 APPLICATION SPEC: 114-13038 WEIGHT: - CUSTOMER DRAWING	NAME: RIGHT ANGLE HEADER ASSEMBLY DUAL BEAM POWER CONTACT MULTI-BEAM XL SIZE: A1 CAGE CODE: - DRAWING NO: 6600130 SCALE: 4:1 SHEET 7 OF 12 REV: F3	REVISIONS DATE: - DWN: - APP'D: -
--	--	---	---	--	--	--

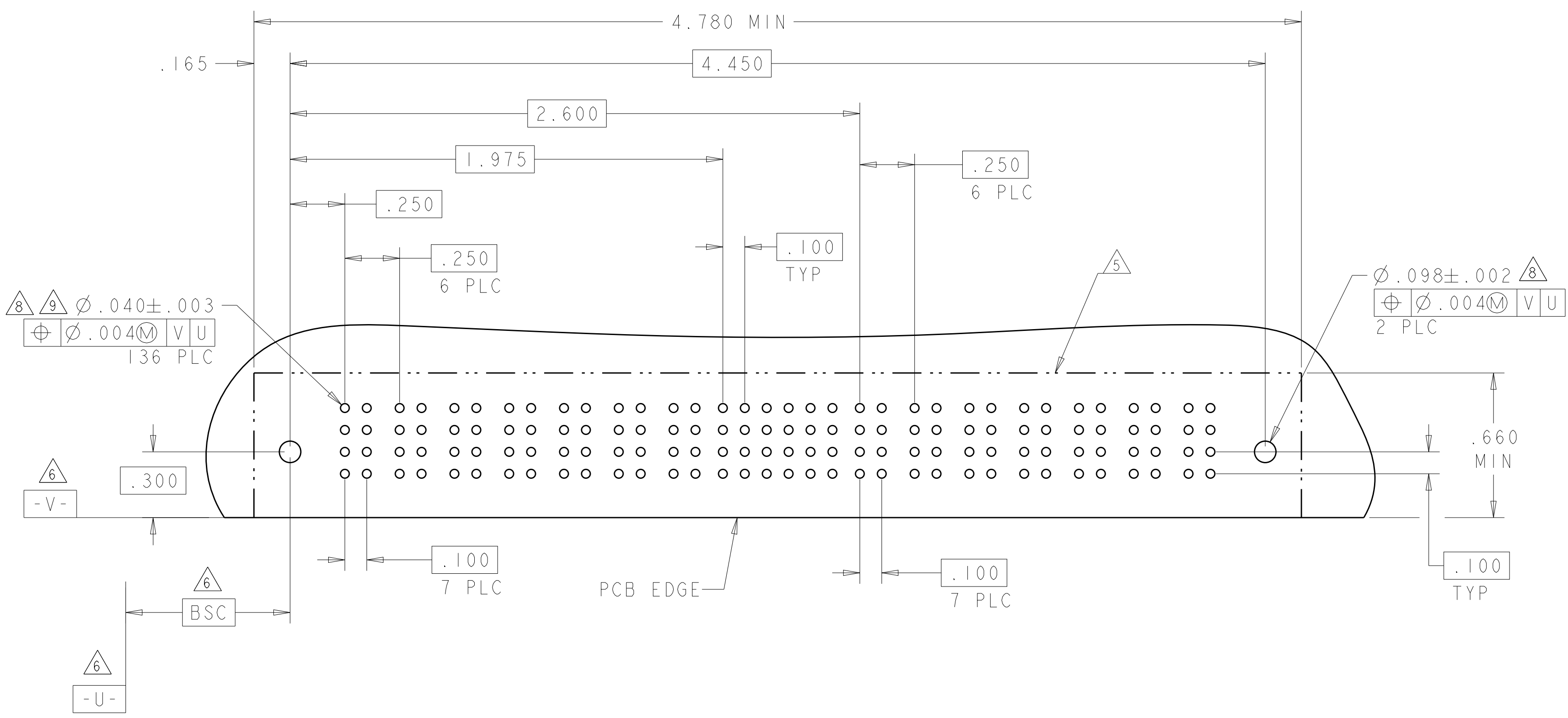
REVISIONS				
P.	LTN.	DESCRIPTION	DATE	APVD.
-	-	SEE SHEET 1	-	-

PART NUMBER	ROWS	POWER									SIGNAL						POWER								
		P1	P2	P3	P4	P5	P6	P7	P8	P9	1	2	3	4	5	6	P10	P11	P12	P13	P14	P15	P16	P17	P18
1-6600130-6	D	PS	PS	PS	PS	PS	PS	PS	PS	PS	J	J	J	J	J	J	PS	PS	PS	PS	PS	PS	PS	PS	PS
	K										K	K	K	K	K										
	N										N	N	N	N	N										
A	HD	S	S	S	S	S	S	S	S	S	S	S	S	S	HD										
9P + 24S + 9P																									

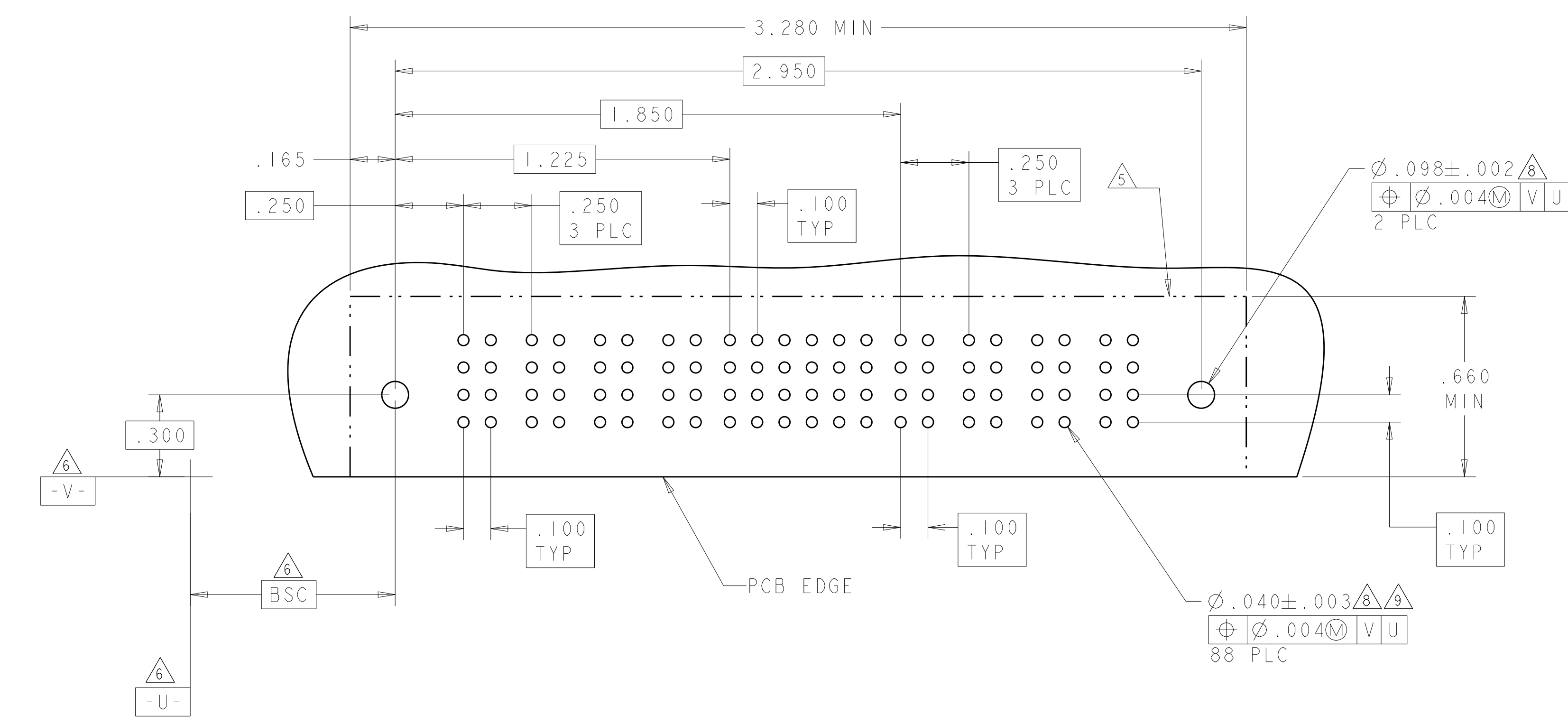


THIS DRAWING IS A CONTROLLED DOCUMENT.		DWN: B. GRZYBOWSKI CHK: M. PERCHERKE APVD: M. PERCHERKE	DIMAROS DIMAROS DIMAROS	TE Connectivity
DIMENSIONS: INCHES	TOLERANCES UNLESS OTHERWISE SPECIFIED: 0 PLC ±. 1 PLC ±.01 2 PLC ±.01 3 PLC ±.005 4 PLC ±.0020 ANGLES ±.2°	PRODUCT SPEC: 108-1973 APPLICATION SPEC: 114-13038	NAME: RIGHT ANGLE HEADER ASSEMBLY DUAL BEAM POWER CONTACT MULTI-BEAM XL	
MATERIAL: -	FINISH: -	WEIGHT: -	SIZE: A1 CAGE CODE: - DRAWING NO: 6600130	RESTRICTED TO: - SCALE: 4:1 SHEET: 8 OF 12 REV: F3
CUSTOMER DRAWING				

REVISIONS				
P.	LTN.	DESCRIPTION	DATE	APVD.
-	-	SEE SHEET 1	-	-



PART NUMBER	ROWS	POWER							SIGNAL						POWER						
		P1	P2	P3	P4	P5	P6	P7	1	2	3	4	5	6	P8	P9	P10	P11	P12	P13	P14
1-6600130-7	D C B A	PS	PS	PS	PS	PS	PS	PS	J	J	J	J	J	J	PS	PS	PS	PS	PS	PS	PS
		PS	PS	PS	PS	PS	PS	PS	K	K	K	K	K	K	PS	PS	PS	PS	PS	PS	PS
		PS	PS	PS	PS	PS	PS	PS	N	N	N	N	N	N	PS	PS	PS	PS	PS	PS	PS
		PS	PS	PS	PS	PS	PS	PS	S	S	S	S	S	S	PS	PS	PS	PS	PS	PS	PS
7P + 24S + 7P																					



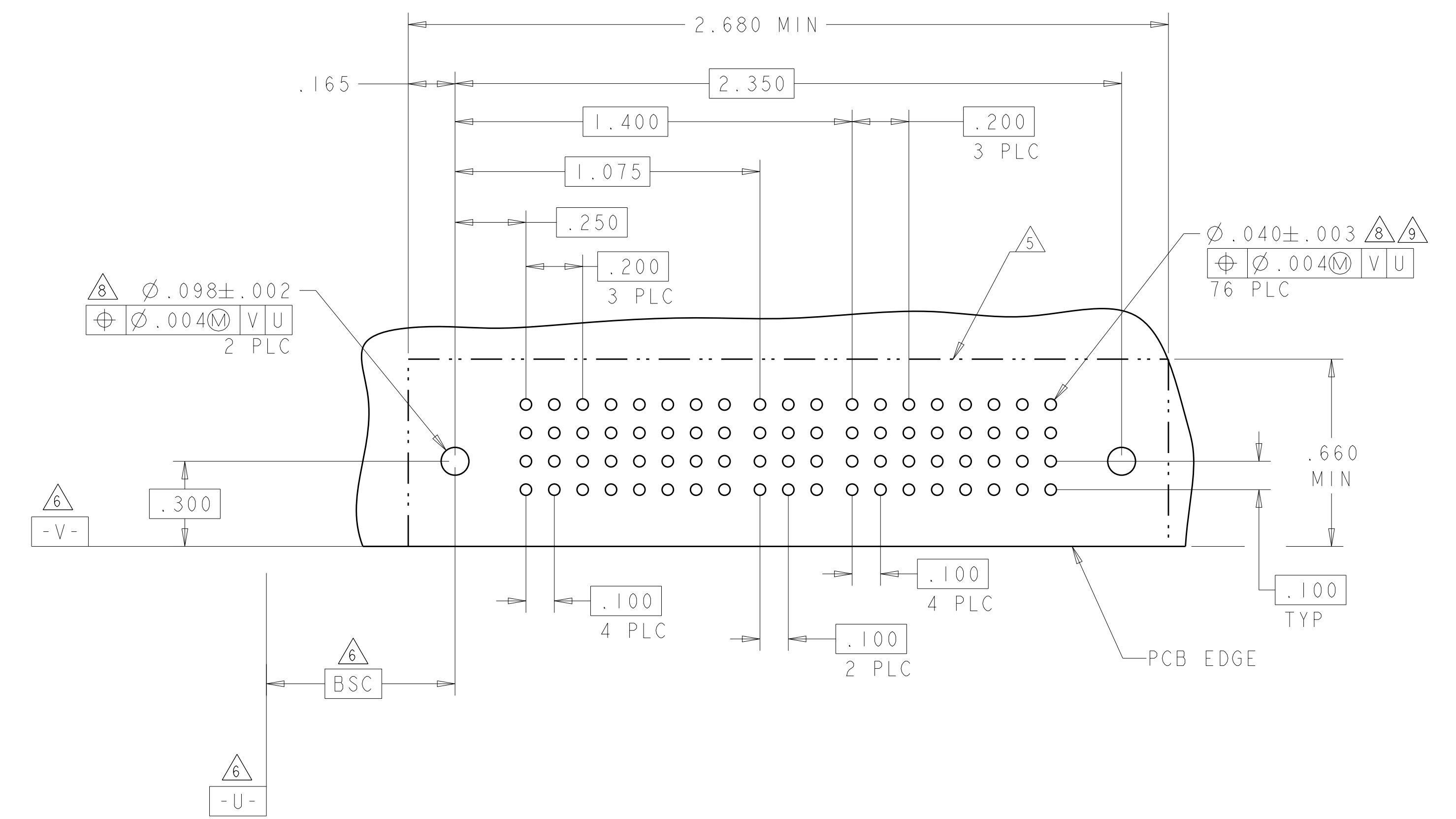
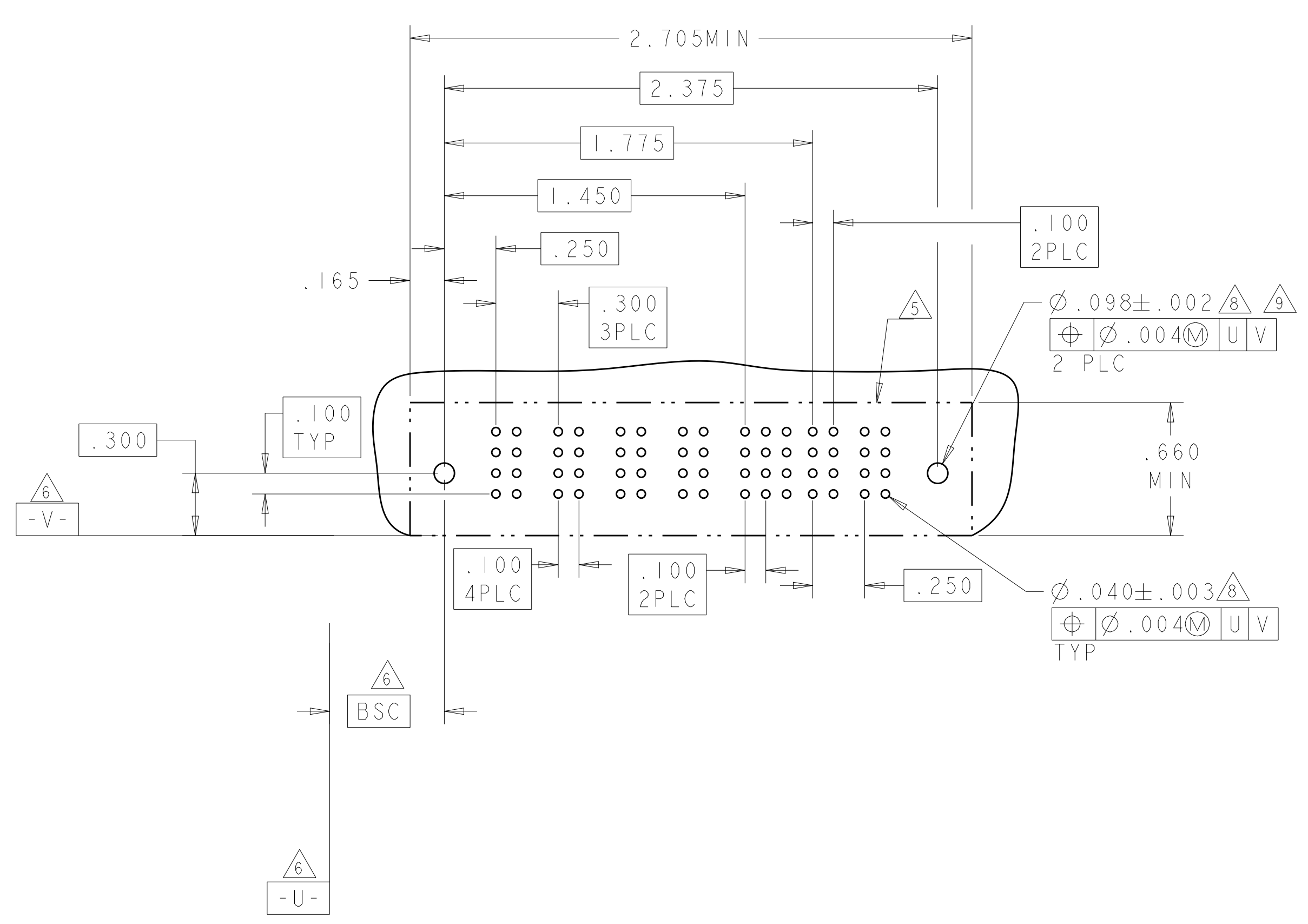
PART NUMBER	ROWS	POWER				SIGNAL						POWER			
		P1	P2	P3	P4	1	2	3	4	5	6	P5	P6	P7	P8
1-6600130-8	D C B A	PS	PS	PS	PS	J	J	J	J	J	J	PS	PS	PS	PS
		PS	PS	PS	PS	K	K	K	K	K	K	PS	PS	PS	PS
		PS	PS	PS	PS	N	N	N	N	N	N	PS	PS	PS	PS
		PS	PS	PS	PS	S	S	S	S	S	S	PS	PS	PS	PS
4P + 24S + 4P															

THIS DRAWING IS A CONTROLLED DOCUMENT.		DWN: R. GRZYBOWSKI CHK: M. PERCHERKE APVD: M. PERCHERKE	DIMAROS DIMAROS DIMAROS	TE Connectivity
DIMENSIONS: INCHES	TOLERANCES UNLESS OTHERWISE SPECIFIED: 0 PLC ±. 2 PLC ±.01 3 PLC ±.005 4 PLC ±.0020 ANGLES ±.2°	PRODUCT SPEC: 108-1973 APPLICATION SPEC: 114-13038 WEIGHT: -	NAME: RIGHT ANGLE HEADER ASSEMBLY DUAL BEAM POWER CONTACT MULTI-BEAM XL	
MATERIAL: -	FINISH: -	CUSTOMER DRAWING		SCALE: 4:1 SHEET: 9 OF 12 REV: F3

REVISIONS				
P.	LTN.	DESCRIPTION	DATE	APP'D.
-	-	SEE SHEET 1	-	-

PART NUMBER	ROWS	POWER				SIGNAL			POWER	
		P1	P2	P3	P4	1	2	3	P5	P6
1-6600130-9	D C B A	PS	PS	PS	PS	E	E	E	PS	PS
						F	F	F		
						N	N	N		
						H	H	H		
4ACP + 12S + 2P										

PART NUMBER	ROWS	POWER				SIGNAL			POWER			
		P1	P2	P3	P4	1	2	3	P5	P6	P7	P8
2-6600130-1	D C B A	PS	PS	PS	PS	J	J	J	PS	PS	PS	PS
						K	F	K				
						N	N	N				
						S	S	S				
4P + 12S + 4P												



THIS DRAWING IS A CONTROLLED DOCUMENT.		DWN: B. GRZYBOWSKI CHK: M. PERCZERKE APVD: M. PERCZERKE	DIMAROS DIMAROS DIMAROS		TE Connectivity	
DIMENSIONS: INCHES	TOLERANCES UNLESS OTHERWISE SPECIFIED: 0 PLC ±. 1 PLC ±.01 2 PLC ±.01 3 PLC ±.005 4 PLC ±.0020 ANGLES ±.2°	PRODUCT SPEC 108-1973 APPLICATION SPEC 114-13038	NAME RIGHT ANGLE HEADER ASSEMBLY DUAL BEAM POWER CONTACT MULTI-BEAM XL		SIZE A1	CAGE CODE C=6600130
MATERIAL	FINISH	WEIGHT	CUSTOMER DRAWING	SCALE	SHEET	REV
-	-	-	-	4:1	10 OF 12	F3

