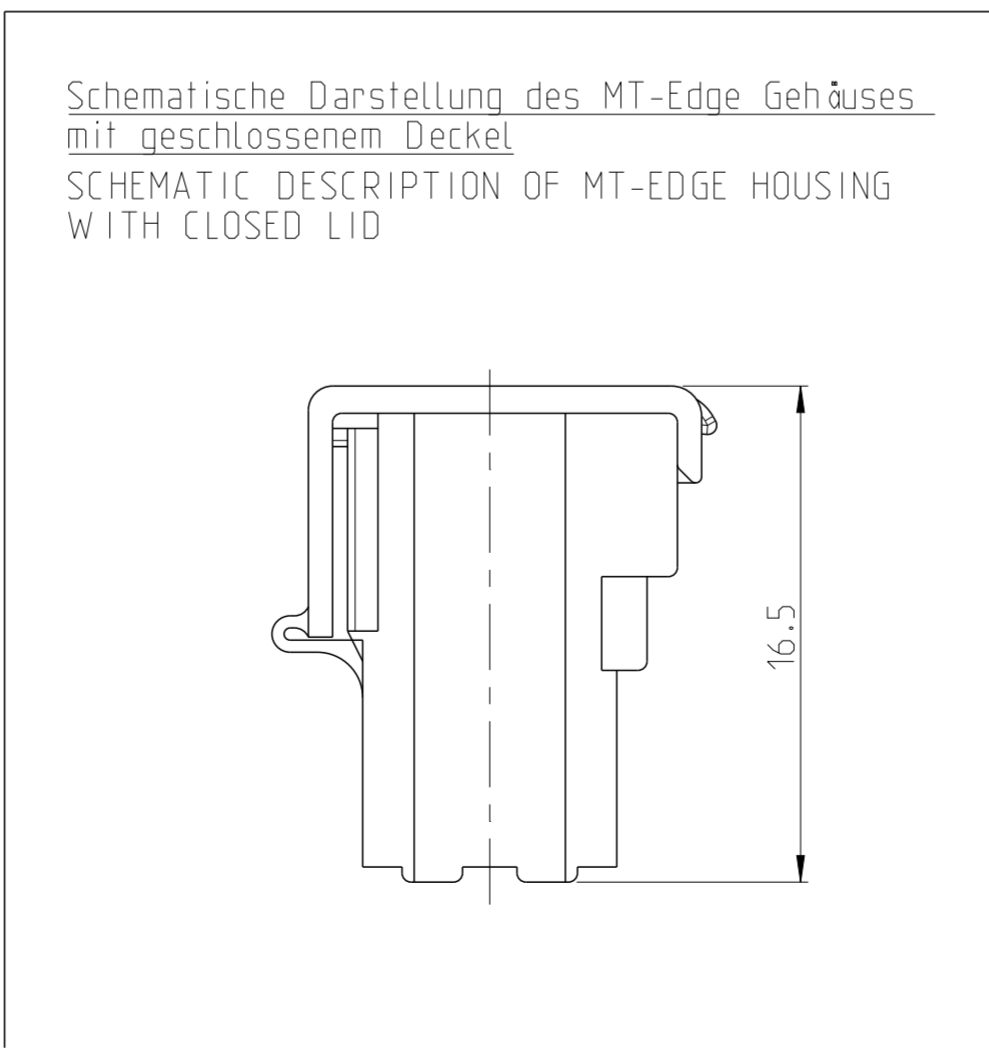
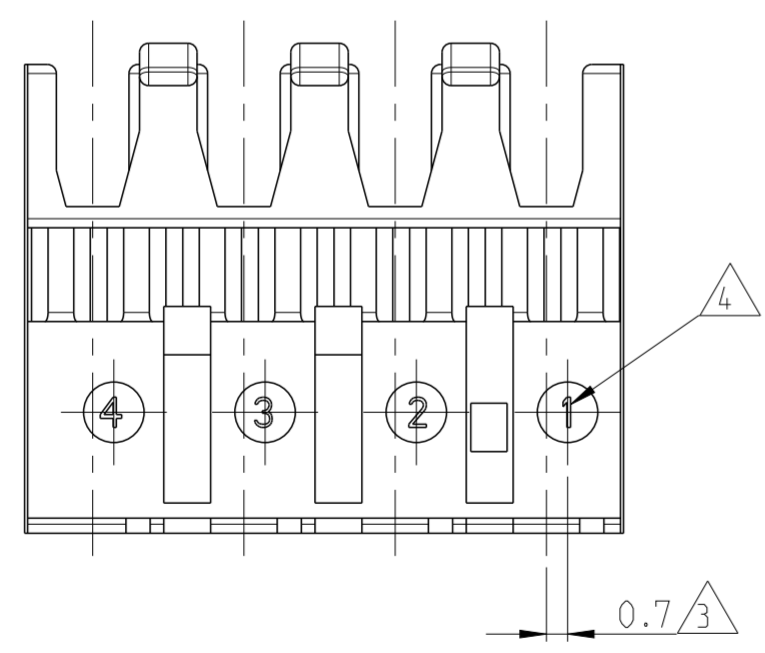
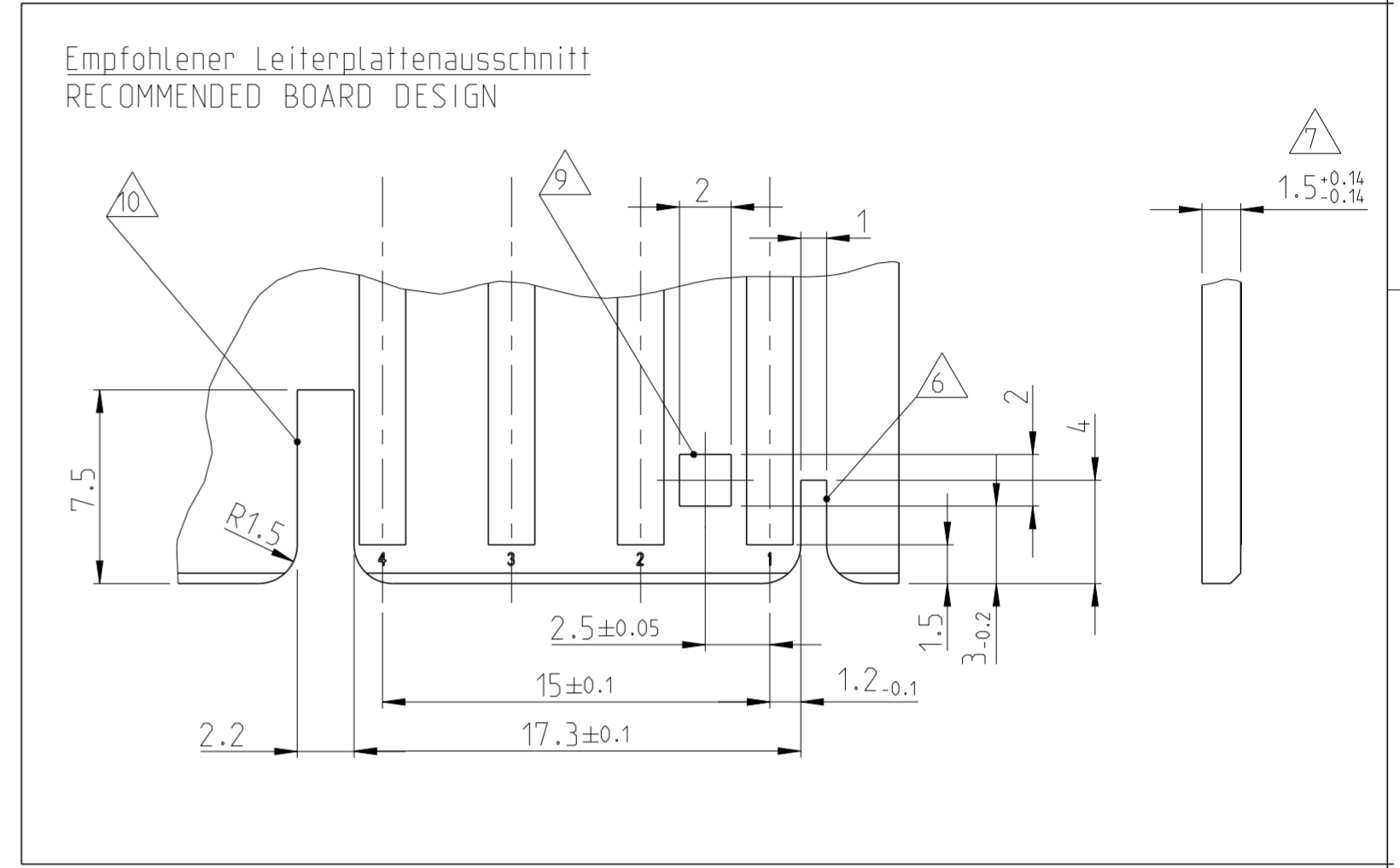
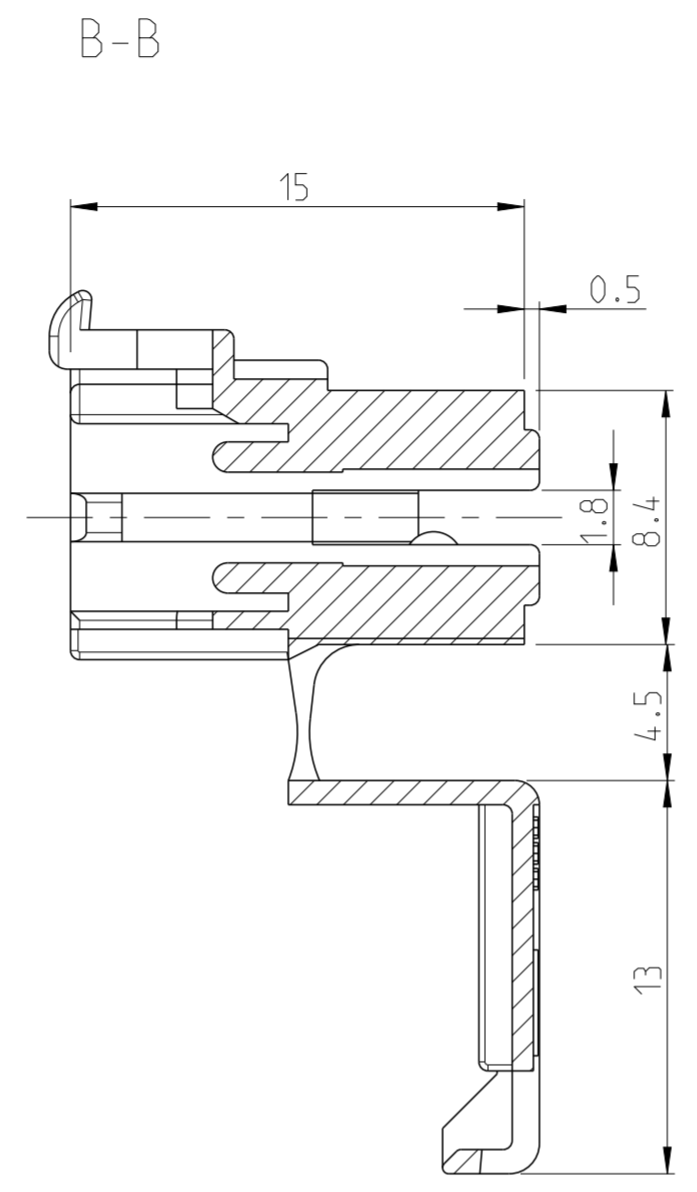
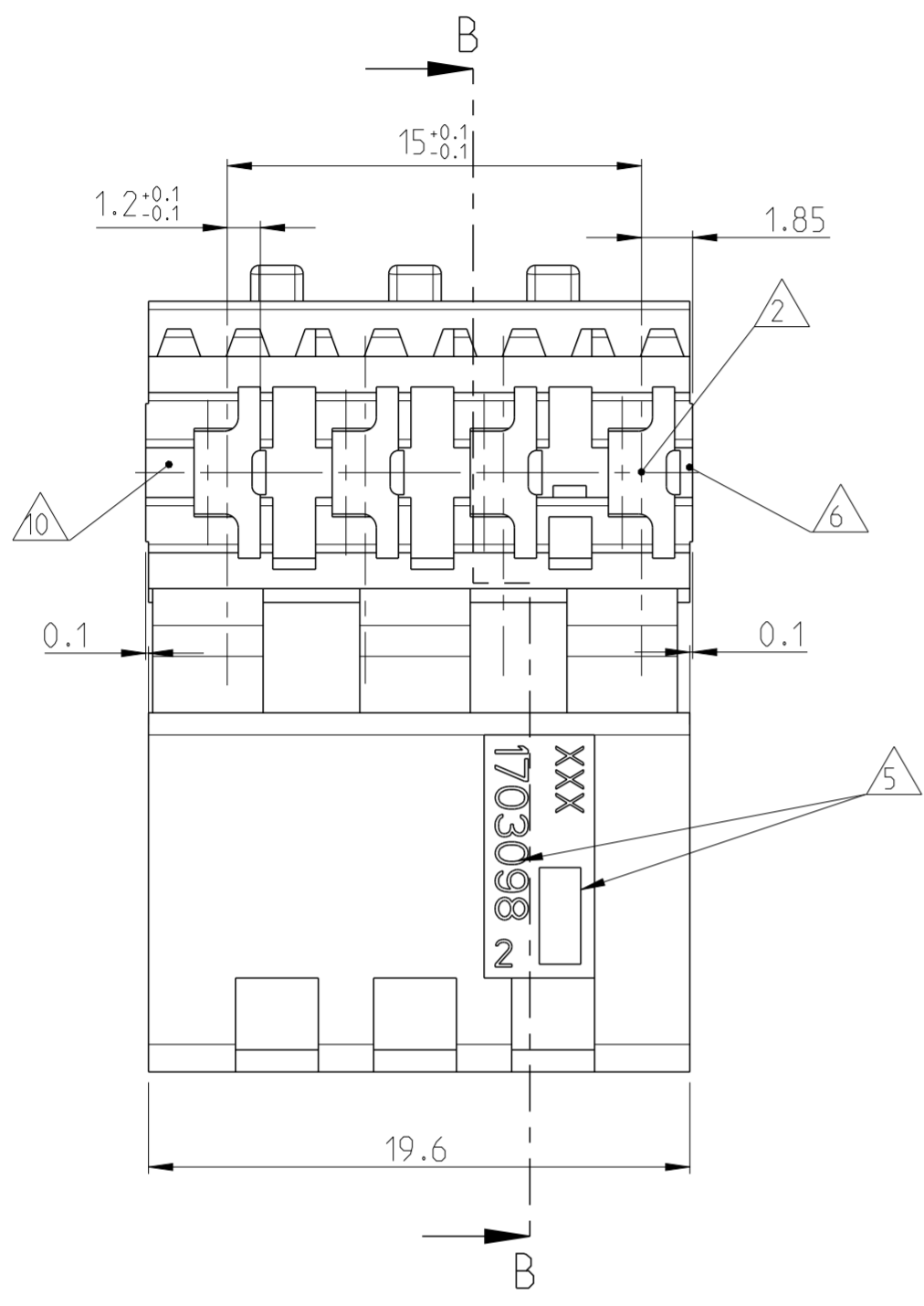


THIS DRAWING IS UNPUBLISHED. RELEASED FOR PUBLICATION 20
 © COPYRIGHT 20 BY - ALL RIGHTS RESERVED.

LOC		DIST		REVISIONS			
P	LTR	DESCRIPTION	DATE	DWN	APVD		
	B	INITIAL RELEASE	25 JUL 2013	MKD	RRP		



- Bemerkungen
NOTES
- 1 Massgebend ist der deutsche Text
ONLY THE GERMAN-LANGUAGE VERSION SHALL BE BINDING
 - 2 Lage des Kontaktpunktes auf der Leiterplatte; Abweichung ±0.4
POSITION OF CONTACT POINT ON BOARD; DEVIATION ±0.4
 - 3 Kontaktierung zur Drahtmitte um 0.7mm versetzt
CONTACTING 0.7mm DISPLACED TO WIRE CENTRELINE
 - 4 Kontaktkammer-Nr.
CONTACT CAVITY #
 - 5 Firmenlogo und Leergehäuse-Nr.
ARTWORK LOGO AND HOUSING # (NON LOADED)
 - 6 Kodersteg Vor Erster Kammer
KEYING RIB BEFORE FIRST CAVITY
 - 7 Ausführung nach DIN 60249-2-4
BOARD DESIGN ACCORDING TO DIN 60249-2-4
 - 8 Crimp Kontakt-Nr.:
Material: CuSn4 926770-1, 926917-1
CRIMP CONTACT #: 926770-1, 926917-1
MATERIAL: CuSn4
 - 9 SQUARE HOLE 2X2 mm OPTIONAL LOCKING HOLE Ø2.5 mm
 - 10 Kodersteg Nach Letzter Kammer
KEYING RIB AFTER LAST CAVITY

1-1703098-1	MT-EDGE HOUSING	NATURE
PART-NO.:	DESCRIPTION	COLOUR

THIS DRAWING IS A CONTROLLED DOCUMENT.		DWN Dhanesh	25 JUL 2013	TE Connectivity NAME 4-WAYS MT-EDGE-HOUSING LOOSE PIECE VERSION -
DIMENSIONS: mm		CHK Dhanesh	25 JUL 2013	
TOLERANCES UNLESS OTHERWISE SPECIFIED:		APVD Rajendra	25 JUL 2013	
0 PLC ± 1 PLC ±0.2 2 PLC ± 3 PLC ± 4 PLC ± ANGLES ± FINISH ±		PRODUCT SPEC 108-18003	APPLICATION SPEC 114-18002	
MATERIAL PA6.6 / UL94V-2		WEIGHT -	Customer Drawing	SIZE A2 CAGE CODE 100779 DRAWING NO C-1703098 RESTRICTED TO -
			SCALE 4:1	SHEET 1 OF 1 REV B