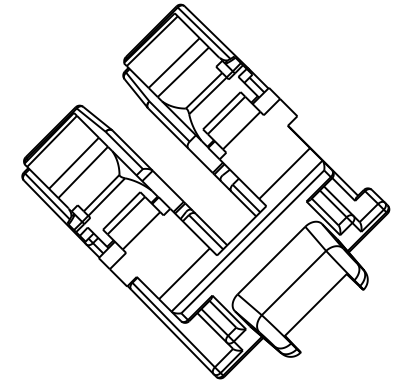
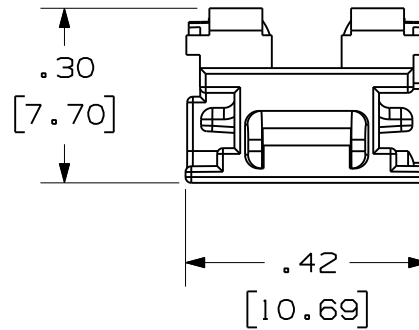
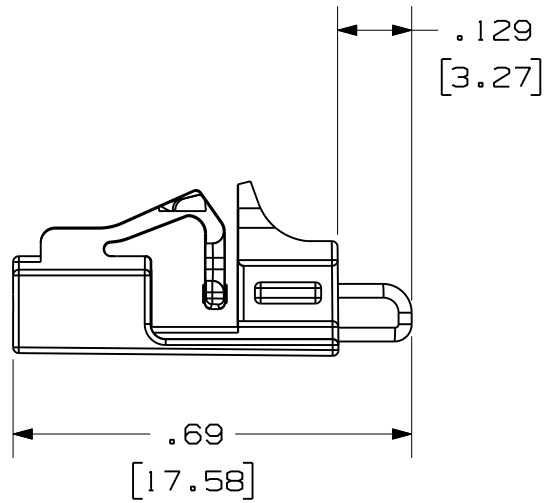


THIS COPY IS PROVIDED ON A RESTRICTED BASIS AND IS NOT TO BE USED IN ANY WAY DETRIMENTAL TO THE INTERESTS OF PANDUIT CORP.



NOTES

1. COMPATIBLE WITH MOST FOCIS-10 DUPLEX ADAPTERS
2. DIMENSIONS IN [ ] ARE MILLIMETERS
3. AVAILABLE IS THE FOLLOWING COLORS

PART NUMBER	COLOR
PSL-LCAB	RED
PSL-LCAB-BL	BLACK
PSL-LCAB-BU	BLUE
PSL-LCAB-EI	BEIGE/ ELECTRIC IVORY
PSL-LCAB-AQ	AQUA

4. STANDARD PACK CONSISTS OF 10 DEVICES AND 1 REMOVAL TOOL
5. ADD "-C" TO PART NUMBER FOR BULK PACKAGE (100 DEVICES AND 5 REMOVAL TOOLS)

CAD FILENAME/LAYERS 100910EC\_DC\_C10767/03A

REV	DATE	BY	CHK	DESCRIPTION	ECN	R	CUST	SUP
0	3/16/09	JHAC		DRAWING RELEASE	5407	R		

PANDUIT CORP. TINLEY PARK, ILLINOIS

PSL-LCAB  
LC DUPLEX ADAPTER BLOCKOUT  
CUSTOMER DRAWING

UNLESS OTHERWISE SPECIFIED,  
DIMENSIONAL TOLERANCES ARE:  
(.X) ± .1 (.XXX) ± .01  
(.XX) ± .02 ANGLES ± 5°

UNLESS OTHERWISE SPECIFIED,  
ALL DIMENSIONS ARE GIVEN  
IN INCHES, THIRD ANGLE PROJECTION.

DRAWN BY  
JHAC

MAT'L:

SCALE 3:1

DATE  
03/16/09

POLYCARBONATE

DRAWING NO.

C10767

CHK'D

DWG  
A  
SIZE