

SUMMARY

Wires

Low	8
High	0
Coax	0
Triax	0
Quad	0
Fiber	0
Fluidic	0

Series	2B
Termination type	Coupler/adapter/bridge
IP rating	68
Cable Ø	0.00 - 0.00 mm
Matching parts	FGG.2B.308.CLAD72
Status	
Alternative part	



Image is for illustrative purpose only

Download

[Request a quote](#)

[Catalog](#)

TECHNICAL DETAILS

Mechanics

Shell Style/Model	SJG*: Fixed coupler, nut fixing, keys (G, A, B, J, K, L) at the flange end and keys (G, A, B, J, K, L) at the other end, watertight or vacuum-tight
Keying	1 key (alpha=0, plug: male contacts, receptacle: female contacts)
Housing Material	Brass (chrome plated) shell and collet nut, nickel plated brass latch sleeve and mid pieces
Cable Fixing	∅ 0 - 0 mm
Variant	P : Watertight

Performance

Configuration	2B.308 : 8 Low Voltage
Insulator	L: PEEK (UL 94 / V-0/3.2, depends on material thickness)
Rated Current	10 Amps

Specifications

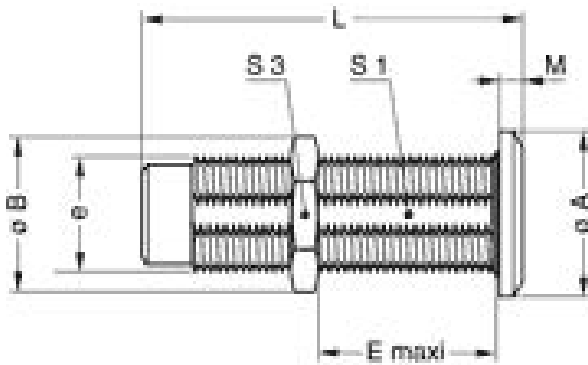
Contact Type:	Solder
Max. Matings:	5000
Contact Dia.:	0.9 mm (0.04in)
Vtest (contact-shell):	1250 V (AC), 1770 V (DC)
Vtest (contact-contact):	1500 V (AC), 2120 V (DC)

Others

Temp (min / max): -20° C / +80° C
Humidity (max): <=95% [at 60 deg C /140 F]
Vibration: 15 g [10 Hz - 2000 Hz]
Shock Resistance: 100 g [6 ms]
Salt Spray Corrosion: >144 hr
Climatical Category: 20/80/21
Shielding (min): 75 dB (10 MHz)
Shielding (min): 40 dB (1 GHz)
Pressure: 40 bars
IP Rating: 68

DRAWINGS

Draws



Dimensions

	A	B	E	L	M	S1	S3	e
mm.	20	21.8	25	44	4	15	19	M16x1.0
in.	0,79	0,86	0,98	1,73	0,16	0,59	0,75	

RECOMMENDED BY LEMO

Tools

None

Cables