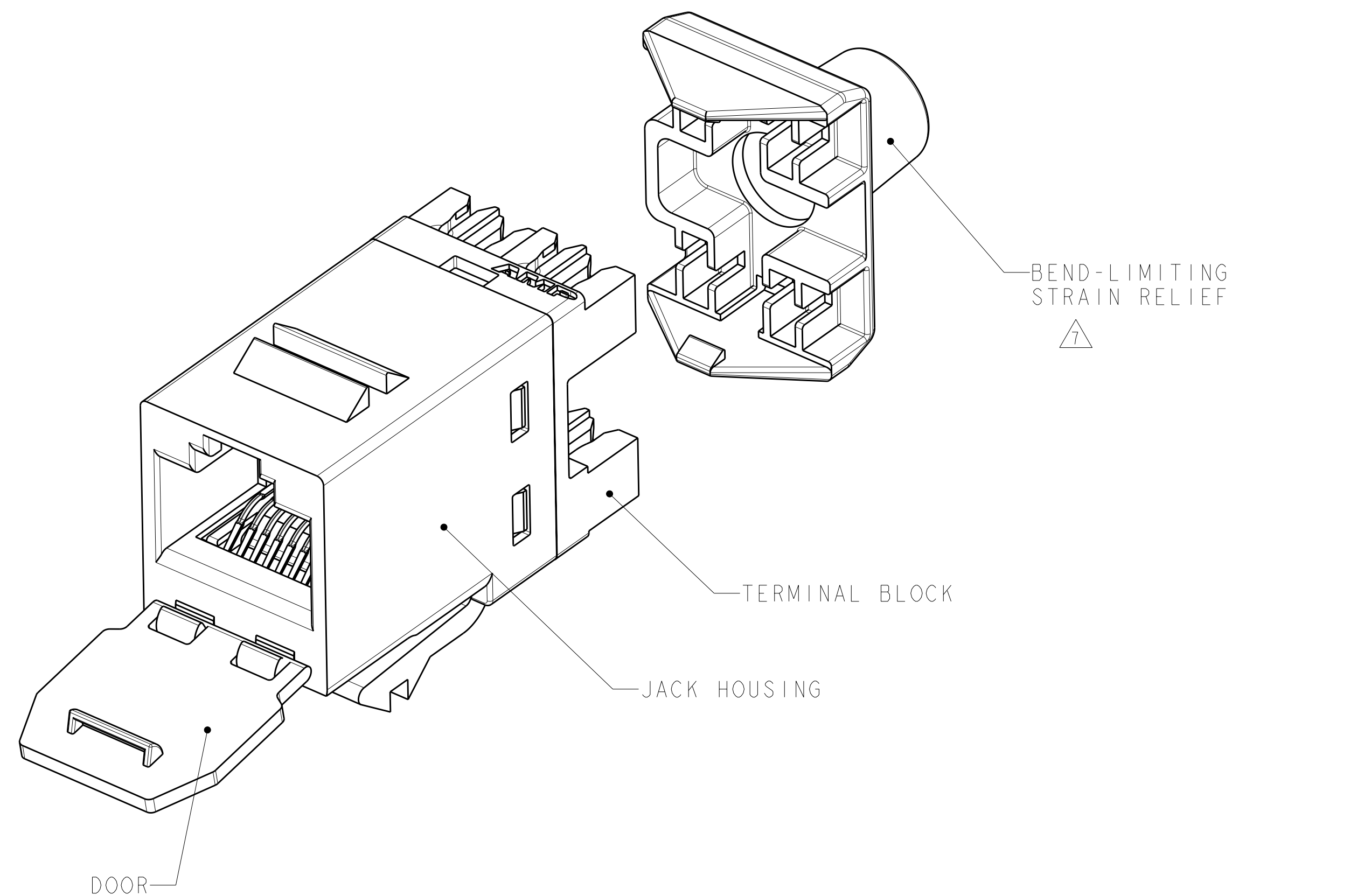
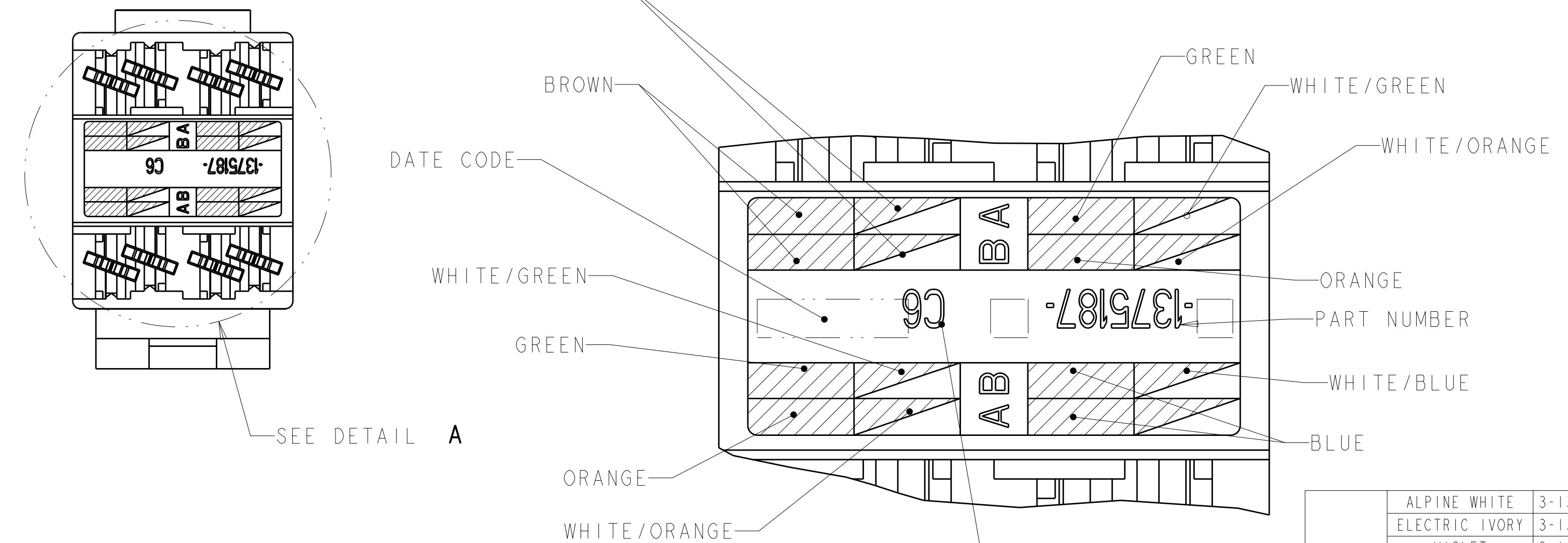
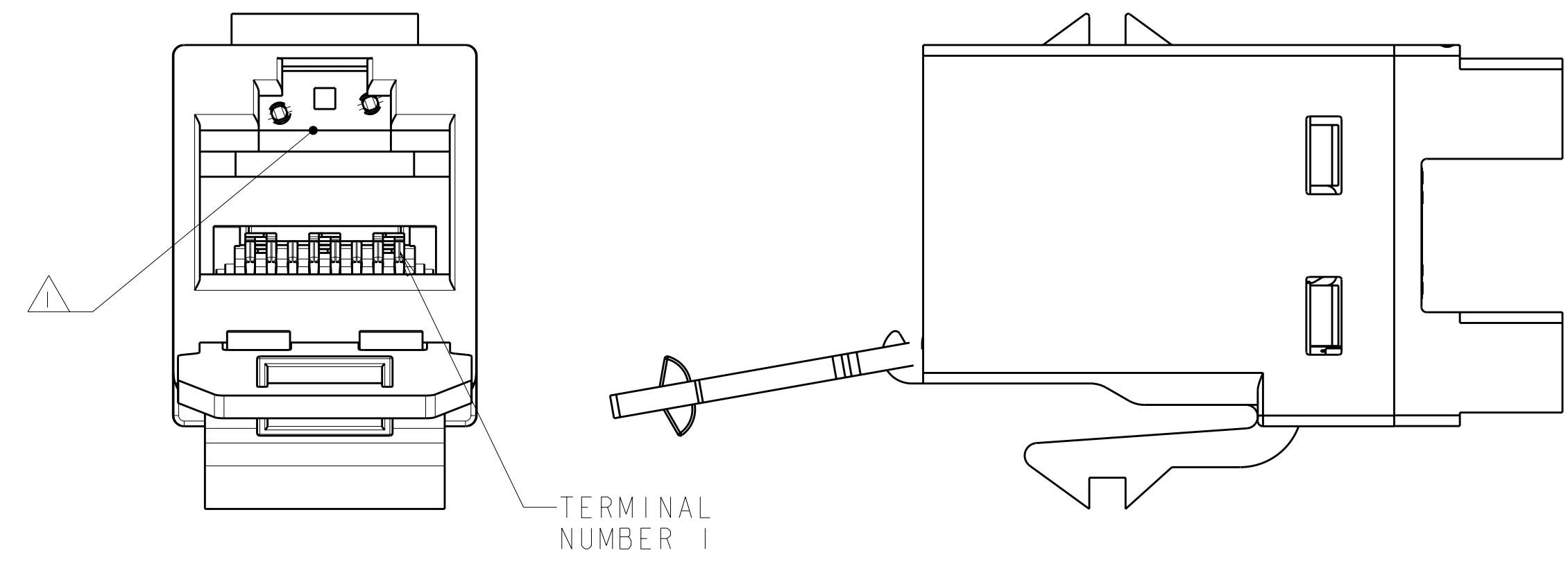


LOC	DIST	REV	DATE	BY	APPD
HM	00	J	06OCT2011	JB	SA
		K	27OCT2011	GG	SA



- 1. MATERIAL: JACK HOUSING - POLYCARBONATE, 94V-0 RATED. 110 BLOCK, STRAIN RELIEF AND DOOR - POLYCARBONATE. ARRAY TRAY - PBT POLYESTER. JACK CONTACTS ARRAY - BERYLLIUM COPPER, PLATED WITH 1.27µm [.000050] MINIMUM THICK GOLD IN LOCALIZED AREA AND 3.81µm [.000150] MINIMUM THICK MATTE TIN IN BOARD INTERFACE AREA OVER 1.27µm [.000050] MINIMUM THICK NICKEL UNDERPLATE. IDC TERMINALS - PHOSPHOROUS BRONZE, PLATED WITH 3.81µm [.00015] MINIMUM THICK MATTE TIN OVER 1.27µm [.00005] MINIMUM THICK NICKEL UNDERPLATE.
- 2. SL 110 JACK WILL TERMINATE 22-24 AWG SOLID AND 24-26 AWG STRANDED CONDUCTORS, 1.27(.050) MAXIMUM INSULATION DIAMETER. JACK WILL ACCEPT CONDUCTORS UP TO 1.45 (.057) BUT REQUIRE THE USE OF A STRAIN RELIEF.
- 3. CAVITY CONFORMS TO FCC RULES AND REGULATIONS; PART 68 SUBPART F REQUIREMENTS.
- 4. MOUNTING PANEL THICKNESS 1.47 - 1.60 [.058 - .063].
- 5. THESE TWO SUGGESTED CUTOUT OPENINGS ARE USED IN TANDEM WITH DUAL FRONT AND BACK CUTOUTS.
- 6. ONE MODULAR JACK ASSEMBLY PER POLYBAG.
- 7. USE OF STRAIN RELIEF IS OPTIONAL.
- 8. REFER TO 408-8858 FOR TERMINATION INSTRUCTIONS USING SL SERIES TOOL TERMINATION. REFER TO 408-8417 FOR TERMINATION INSTRUCTIONS USING 110 PUNCH DOWN TOOL.
- 9. TWENTY-FIVE MODULAR JACKS PER POLYBAG.

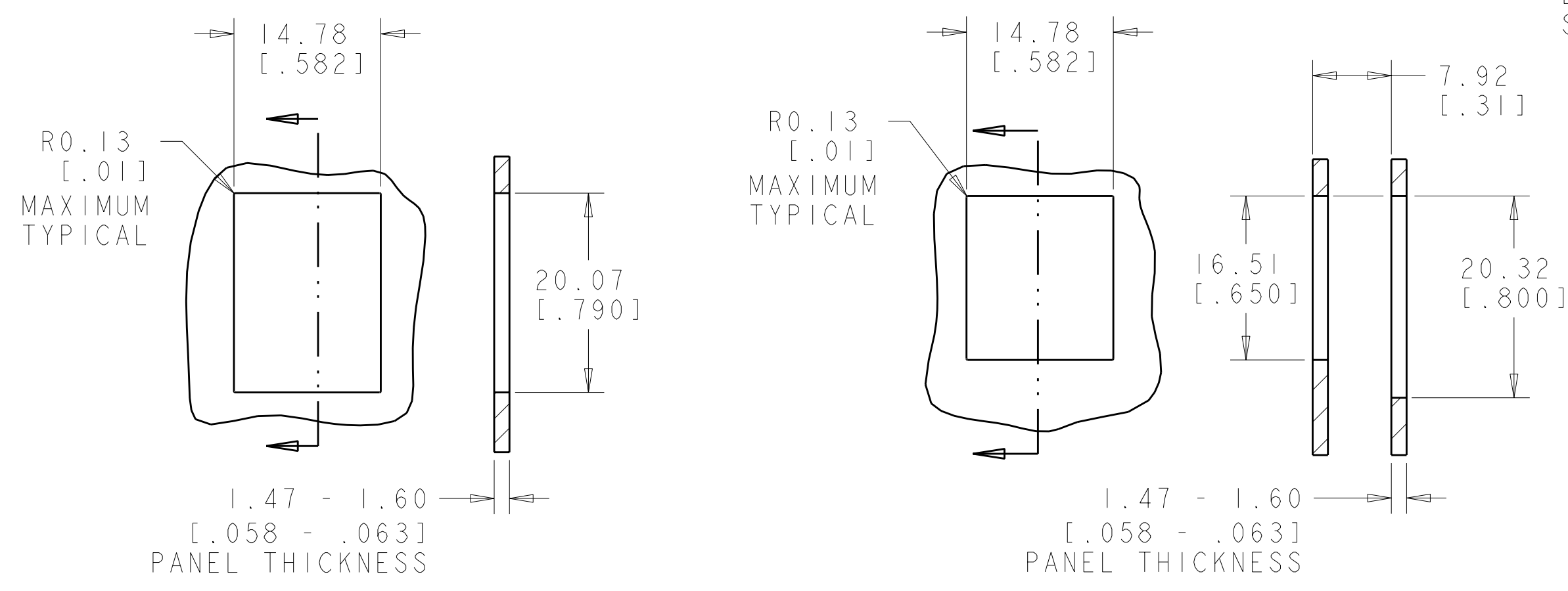


COLOR CODE	IDC TERMINAL	MODULAR JACK	
WHITE/BLUE			5
BLUE			4
WHITE/ORANGE			3
ORANGE			6
WHITE/GREEN			1
GREEN			2
WHITE/BROWN			7
BROWN			8

ELECTRICAL SCHEMATIC T568A

COLOR CODE	IDC TERMINAL	MODULAR JACK	
WHITE/BLUE			5
BLUE			4
WHITE/ORANGE			1
ORANGE			2
WHITE/GREEN			3
GREEN			6
WHITE/BROWN			7
BROWN			8

ELECTRICAL SCHEMATIC T568B



HOUSING COLOR	PART NUMBER
ALPINE WHITE	3-1375187-3
ELECTRIC IVORY	3-1375187-1
VIOLET	3-1375187-0
GREEN	2-1375187-9
YELLOW	2-1375187-8
RED	2-1375187-7
BLUE	2-1375187-6
ORANGE	2-1375187-5
NEMA GRAY	2-1375187-4
WHITE	2-1375187-3
BLACK	2-1375187-2
LIGHT ALMOND	2-1375187-1
ALPINE WHITE	1-1375187-3
ELECTRIC IVORY	1-1375187-1
VIOLET	1-1375187-0
GREEN	1375187-9
YELLOW	1375187-8
RED	1375187-7
BLUE	1375187-6
ORANGE	1375187-5
NEMA GRAY	1375187-4
WHITE	1375187-3
BLACK	1375187-2
LIGHT ALMOND	1375187-1

THIS DRAWING IS A CONTROLLED DOCUMENT.

DATE: 08NOV01
 BY: T. PITTS
 CHK: L. SMITH
 APPD: C. DOOLEY

PRODUCT SPEC: 108-1990
 APPLICATION SPEC: 108-1990-3

ASSEMBLY, SL 110 JACK, CAT 6 DUST COVER

SCALE: 4:1 SHEET 1 OF 1 REV K