

PART NAME: KNOB SCALE: 1:1 DATE: 5/3/73 DR. BY NH

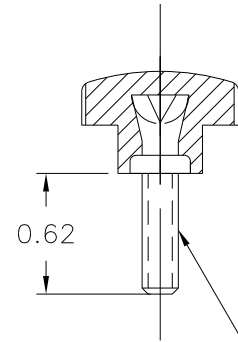
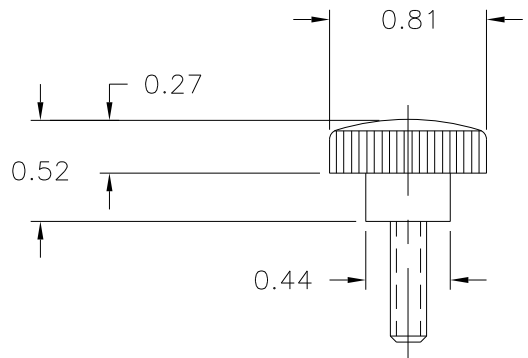
THIS DRAWING IS THE PROPERTY OF DAVIES MOLDING COMPANY, IS SUBMITTED SOLELY AS A DESIGN OR ENGINEERING PROJECT. WE ACCEPT NO RESPONSIBILITY WHATSOEVER FOR THE PRACTICAL APPLICATION OF THE PIECES MADE TO THIS DESIGN.



DESIGNERS & MANUFACTURERS OF KNOBS, HANDLES, CASES & CUSTOM PLASTIC COMPONENTS

P/N 2730-G	
M NO. 2730	
CAVITY	2730
PLUNGER	2730
PIN	2730-1
PIN PLATE	2730-A
INSERT	I0763

CAD/REDRAWN : 6/7/93 : HD



10-24 UNC-2A THD'D.
INSERT I0763, STEEL, ZINC

MATERIAL: G.P. PHENOLIC (B11)
COLOR: BLACK

TOLERANCES: UNLESS OTHERWISE SPECIFIED	DO NOT SCALE DRAWING			
DECIMALS: X.XXX ± .005 X.XX ± .015	MM: X.XX ± 0.15MM X.X ± 0.4MM			
FRACTIONS ± 1/64	ANG. ± 1°	CHANGES		