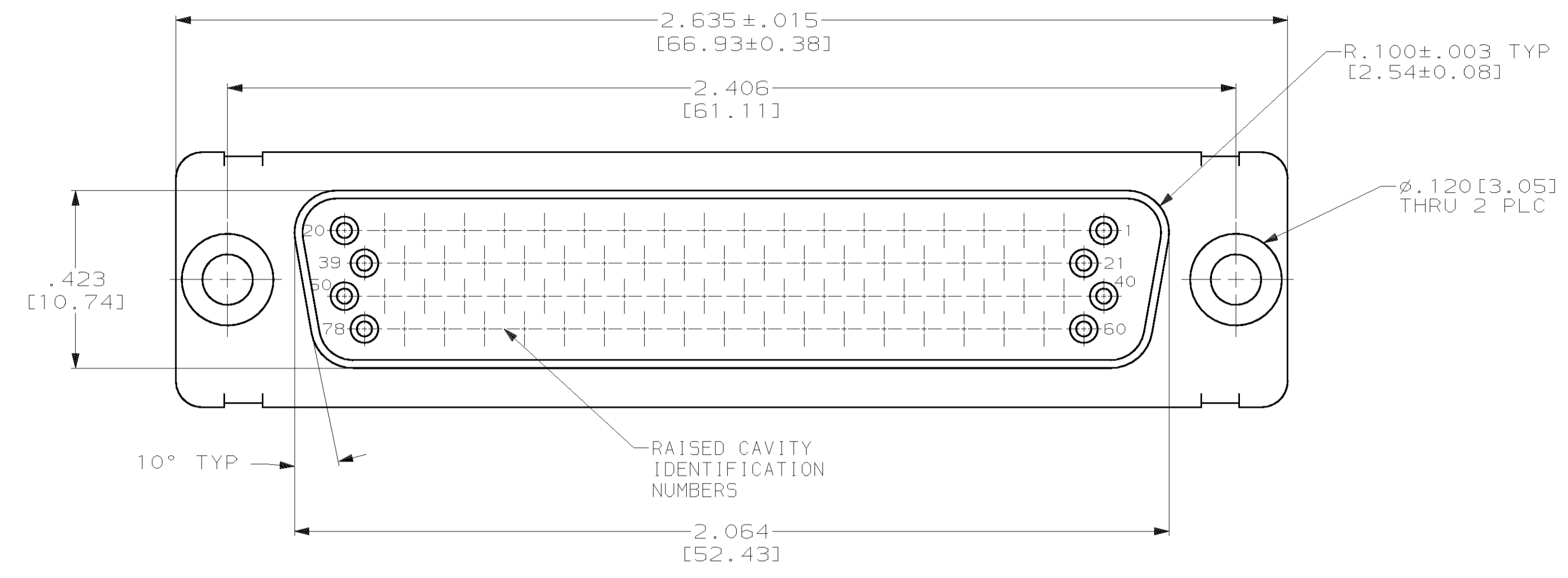
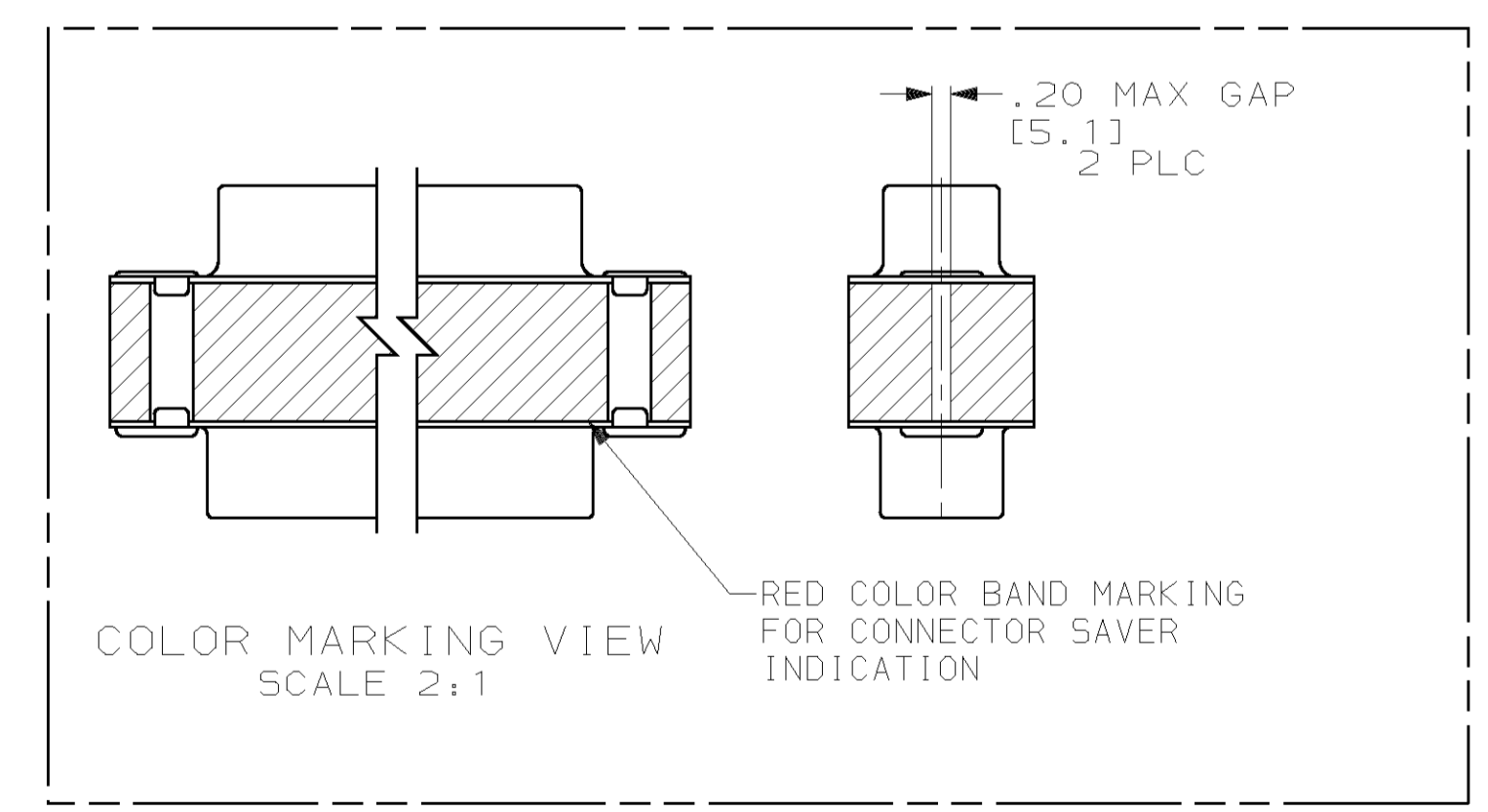
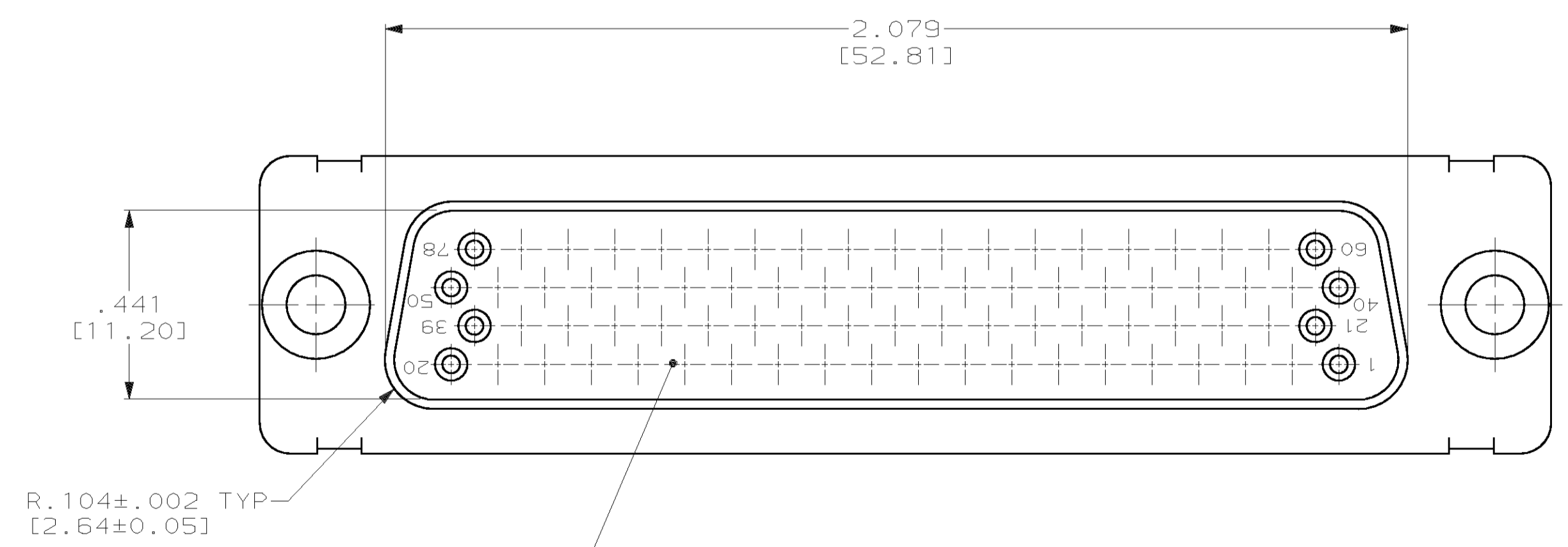
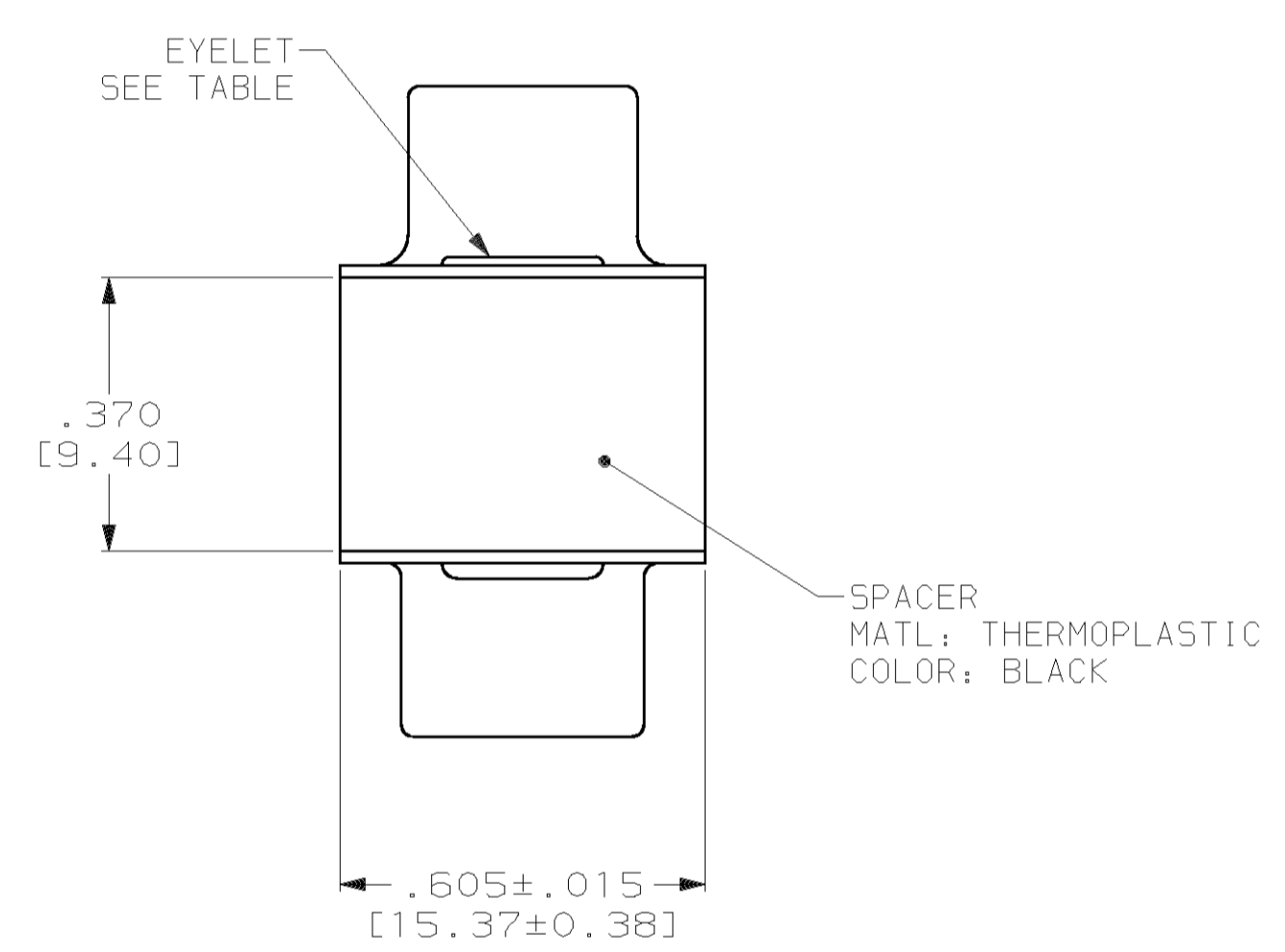
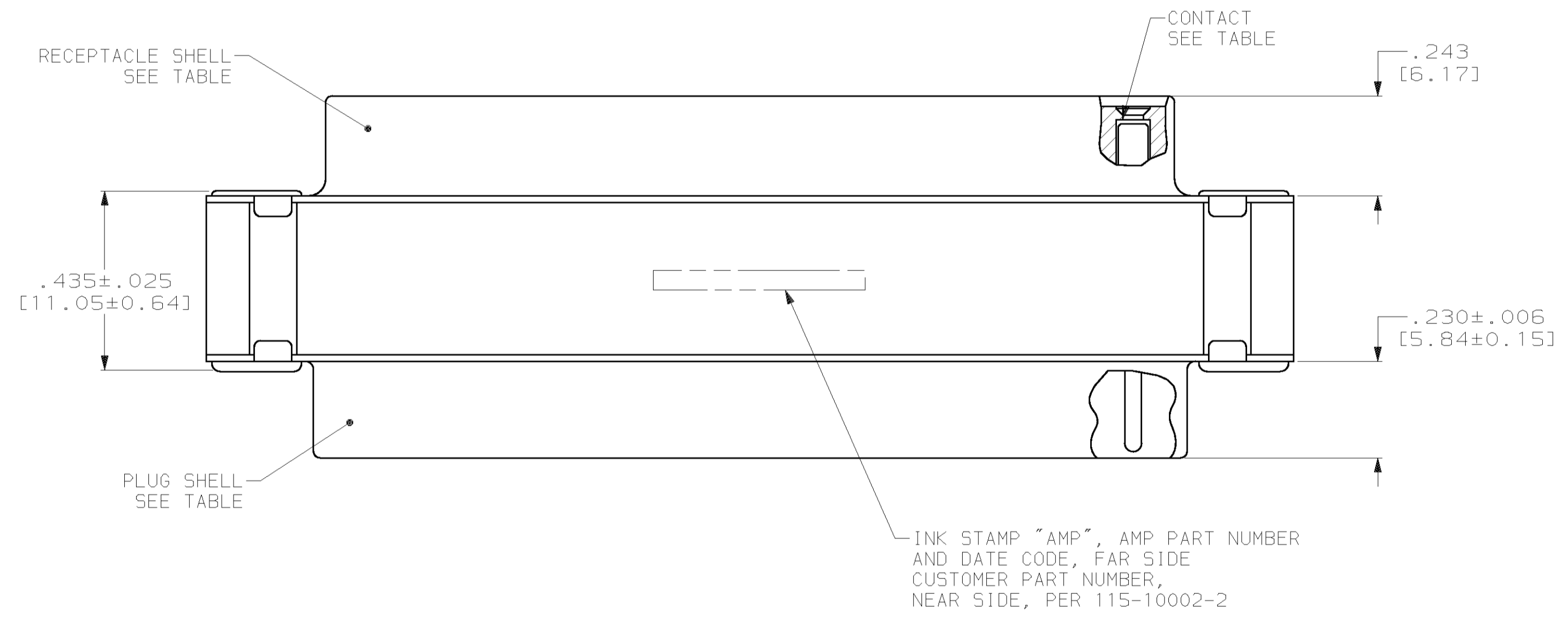


REVOLUTIONS		DATE	OWN	APPROV
DF	DO			
D	REV PER	0630-320-01	5-02	CT DM
F	REV PER	0630-0619-02	7/03	JMK LO



- 1. CONTACTS INCLUDED IN ASSEMBLY.
- 2. CONTACT  
 BODY MATL: BERYLLIUM COPPER PER ASTM-B-197.  
 BODY FINISH: PLATED GOLD, .000050 MIN THK PER MIL-G-45204 OVER NICKEL, .000050 MIN THK PER QQ-N-290.  
 HOOD MATL: STAINLESS STEEL PER ASTM-A-167.  
 HOOD FINISH: PASSIVATED PER ASTM-A-380
- 3. MATL: BRASS PER ASTM-B-36.
- 4. FINISH: PLATED GOLD, .000050 MIN THK PER MIL-G-45204 OVER COPPER, .000100 MIN THK PER MIL-C-14550.



2/4	2/4	2	4U884 SOCN R10002677-0010 (1J02-010)	1218312-2
2/4	2/4	2		1218312-1
EYELET	SHELLS	CONTACT	CUSTOMER P/N	PART NO.

THIS DRAWING IS A CONTROLLED DOCUMENT.		I. THOMPSON 20AUG98		AMP Incorporated Harrisburg, PA 17105-3608	
DIMENSIONS: IN(mm)		TOLERANCES UNLESS OTHERWISE SPECIFIED:		APPROVED: J. NORTON 20AUG98	
0 PLC	±	1 PLC	±	PRODUCT SPEC	
2 PLC	±	3 PLC	±	APPLICATION SPEC	
4 PLC	±	ANGLES	±	SIZE CAGE CODE DRAWING NO	
MATERIAL		FINISH		WEIGHT	
				A1 00779 1218312	
CUSTOMER DRAWING		SCALE 4:1		SHEET 1 OF 1 REV F	