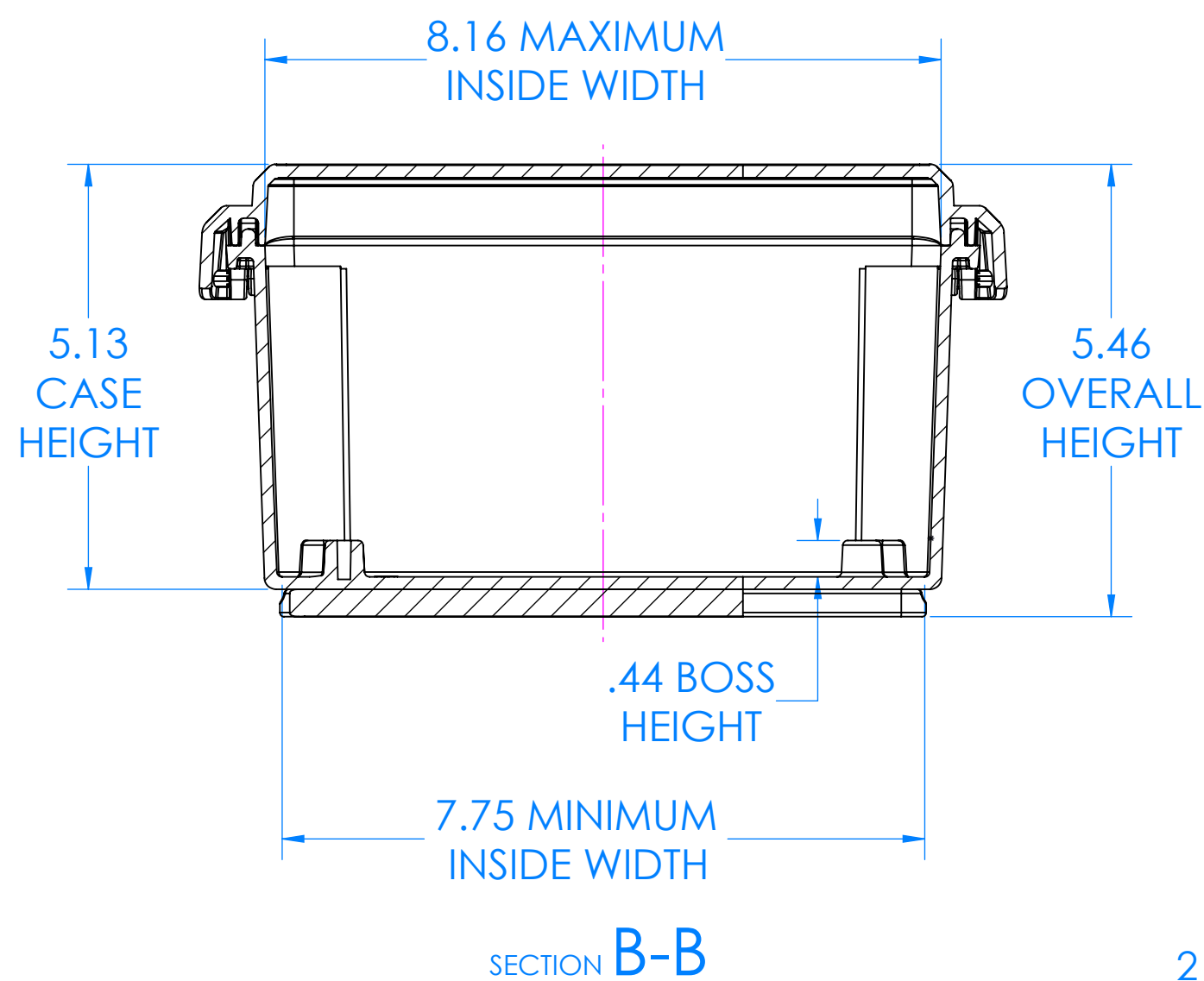
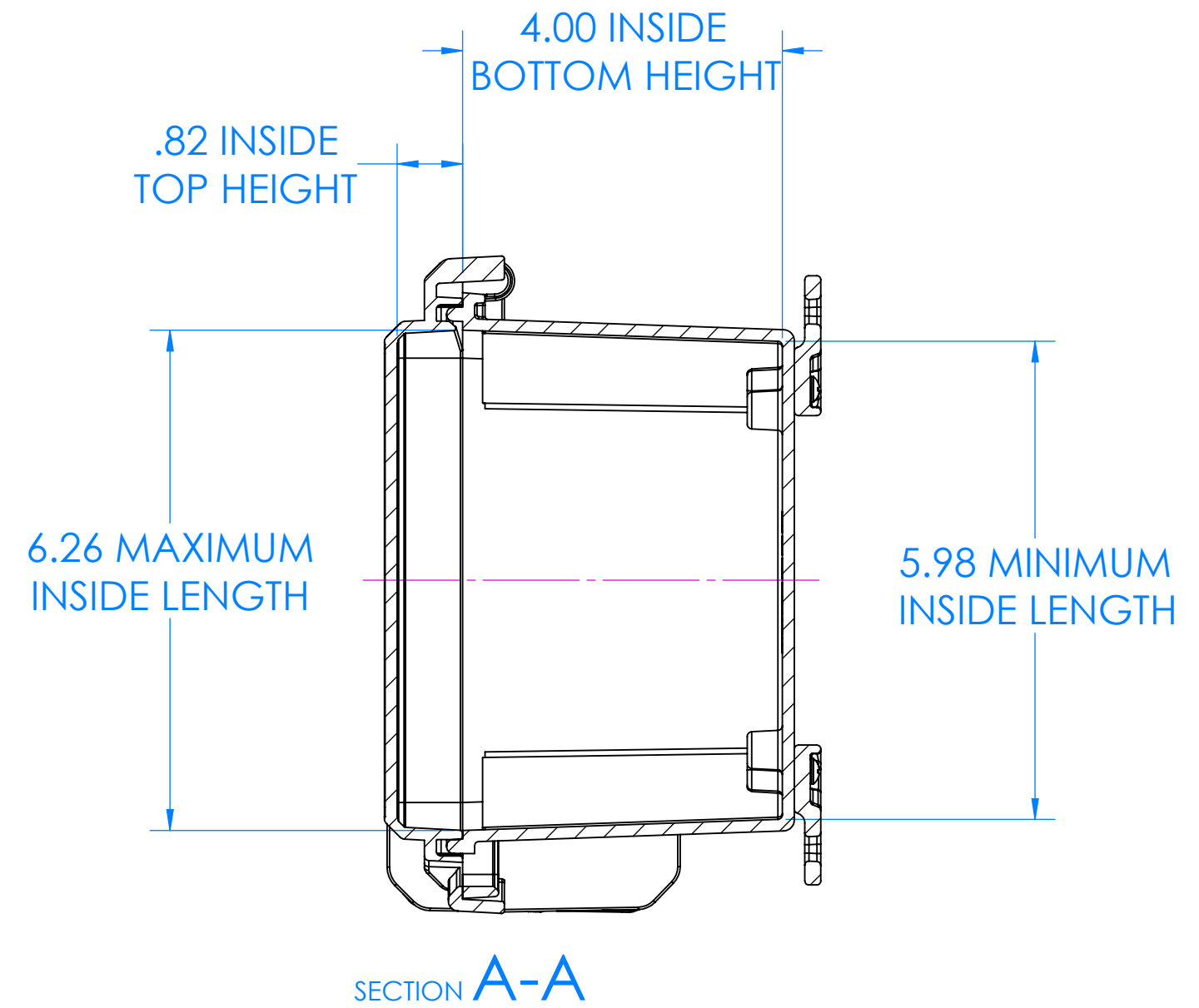
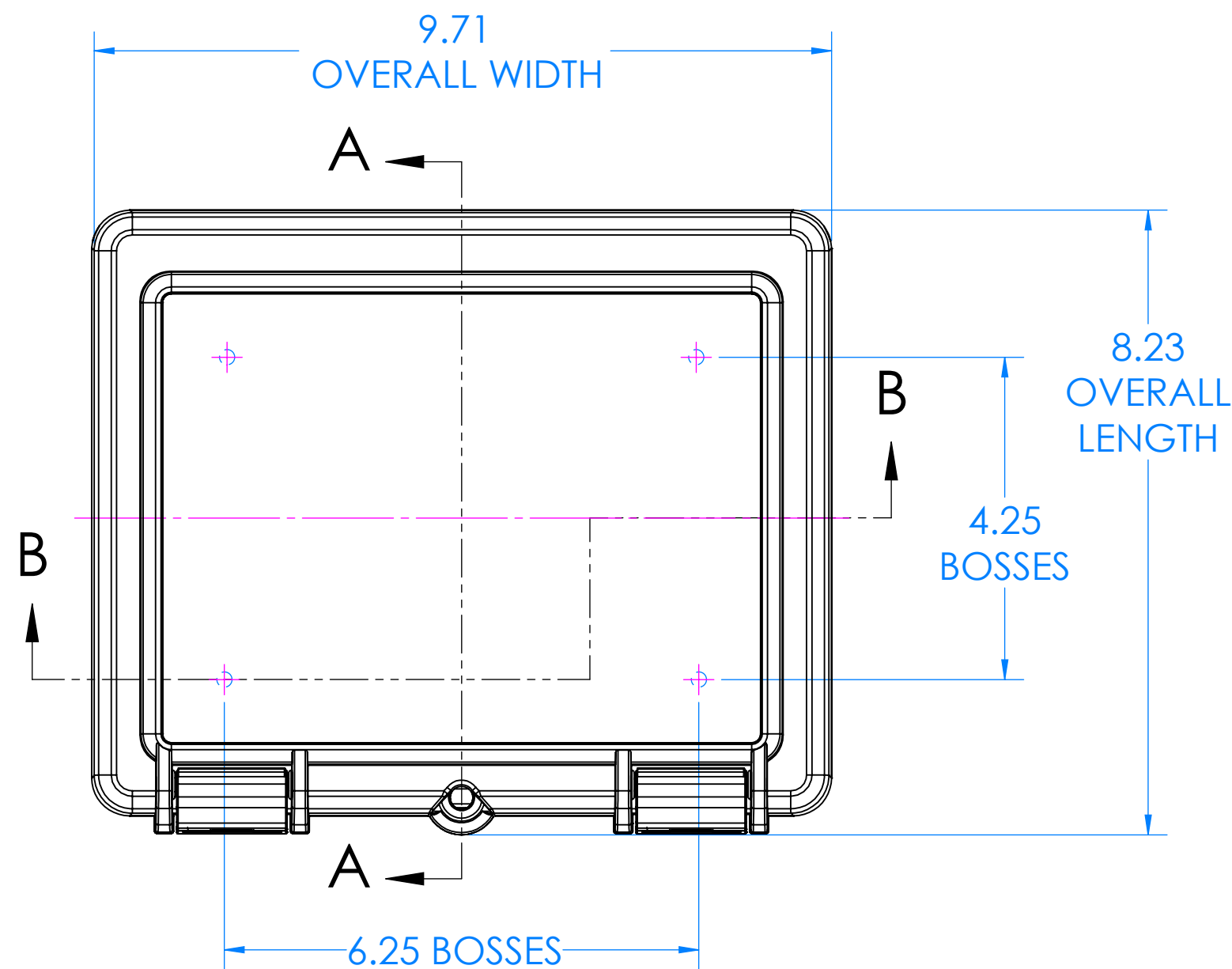
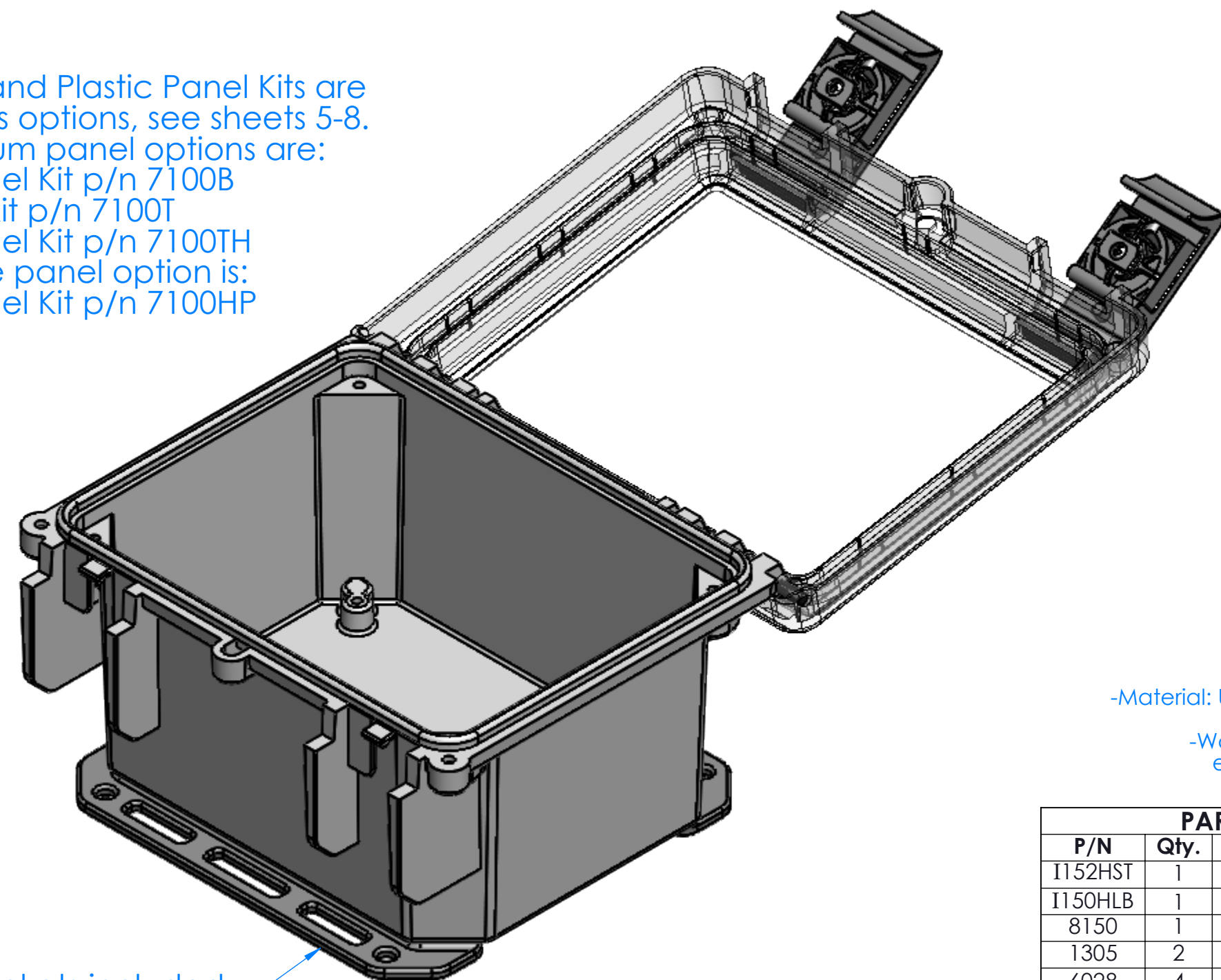


SERPAC I152HL

Electronic Enclosures



Aluminum and Plastic Panel Kits are available as options, see sheets 5-8. The aluminum panel options are:
 Bottom Panel Kit p/n 7100B
 Top Panel Kit p/n 7100T
 Hinged Panel Kit p/n 7100TH
 The plastic panel option is:
 Hinged Panel Kit p/n 7100HP



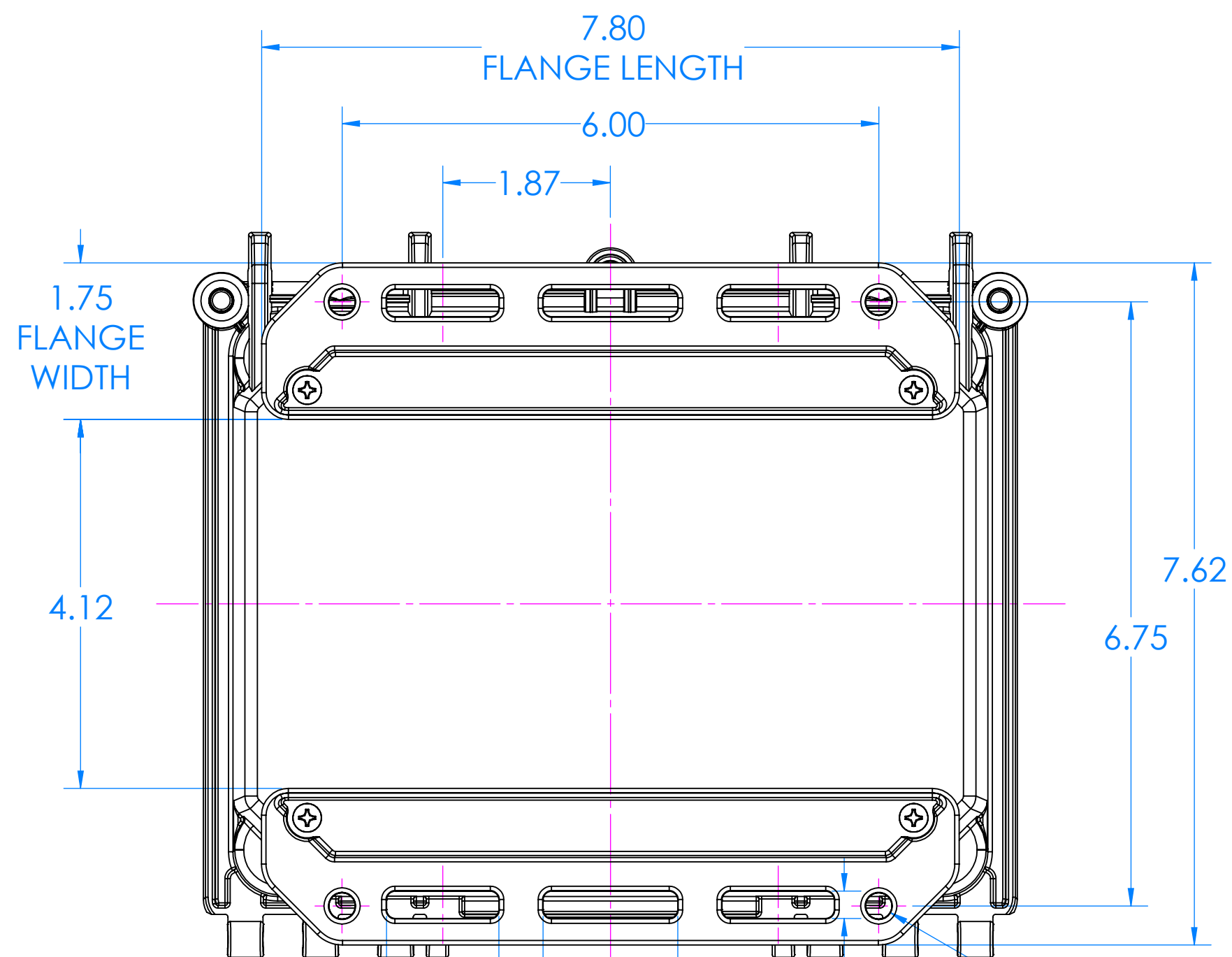
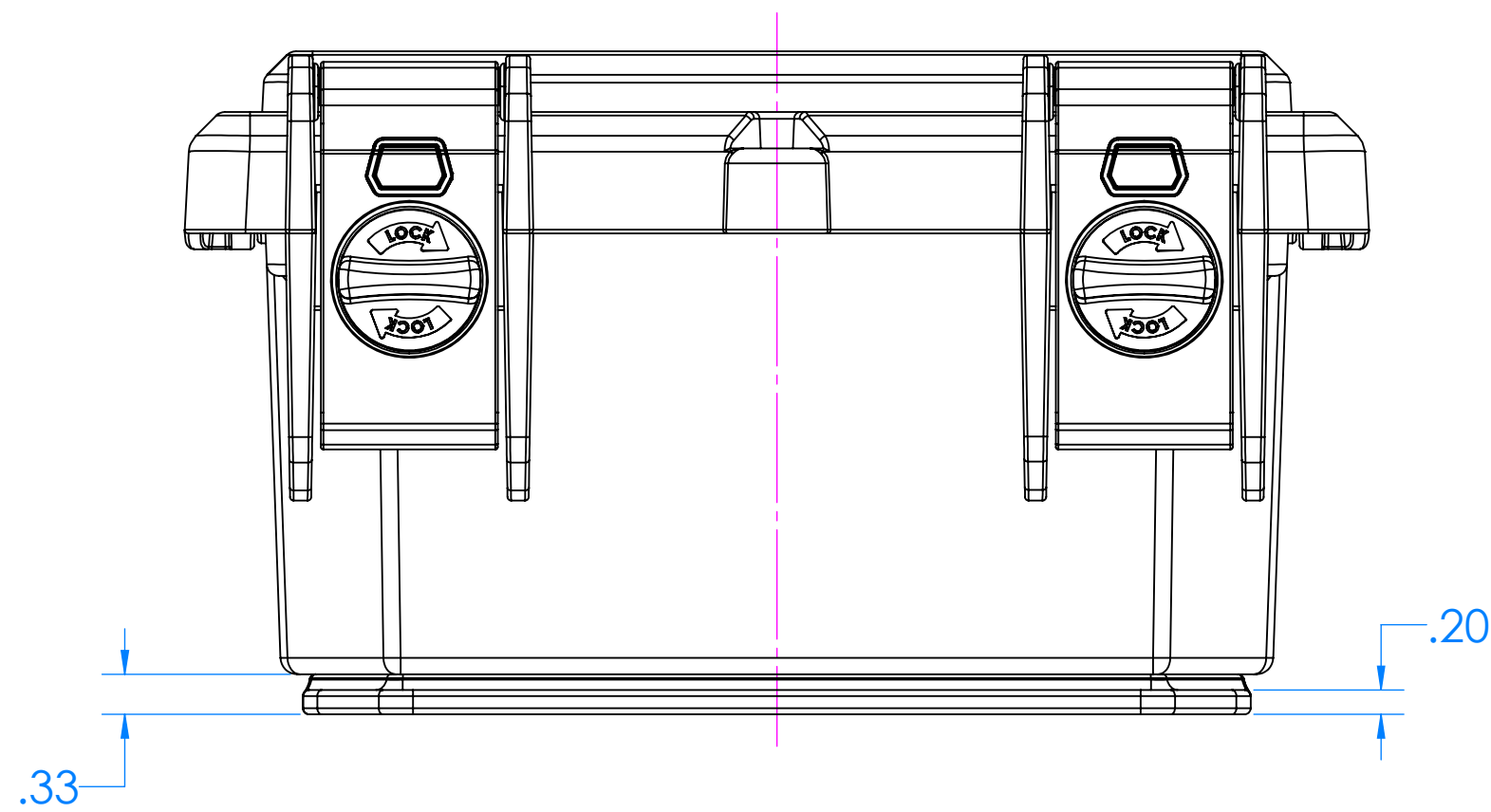
2 Mounting Brackets included, see sheet 2 for dimensions. See sheets 3-4 for optional Mounting Corner Brackets.

-Material: UV stabilized Polycarbonate
 Flammability UL 94 V-2
 -Watertight enclosure meets or exceeds Nema 4 and or IP67.

PARTS INCLUDED		
P/N	Qty.	Description
I152HST	1	I152HS Top
I150HLB	1	I150HS Bottom
8150	1	150 O-Ring
1305	2	Mounting Bracket
6028	4	SS #10 X 5/8" Pan H/L

SERPAC I152 Mounting Bracket Dimensions

Electronic Enclosures



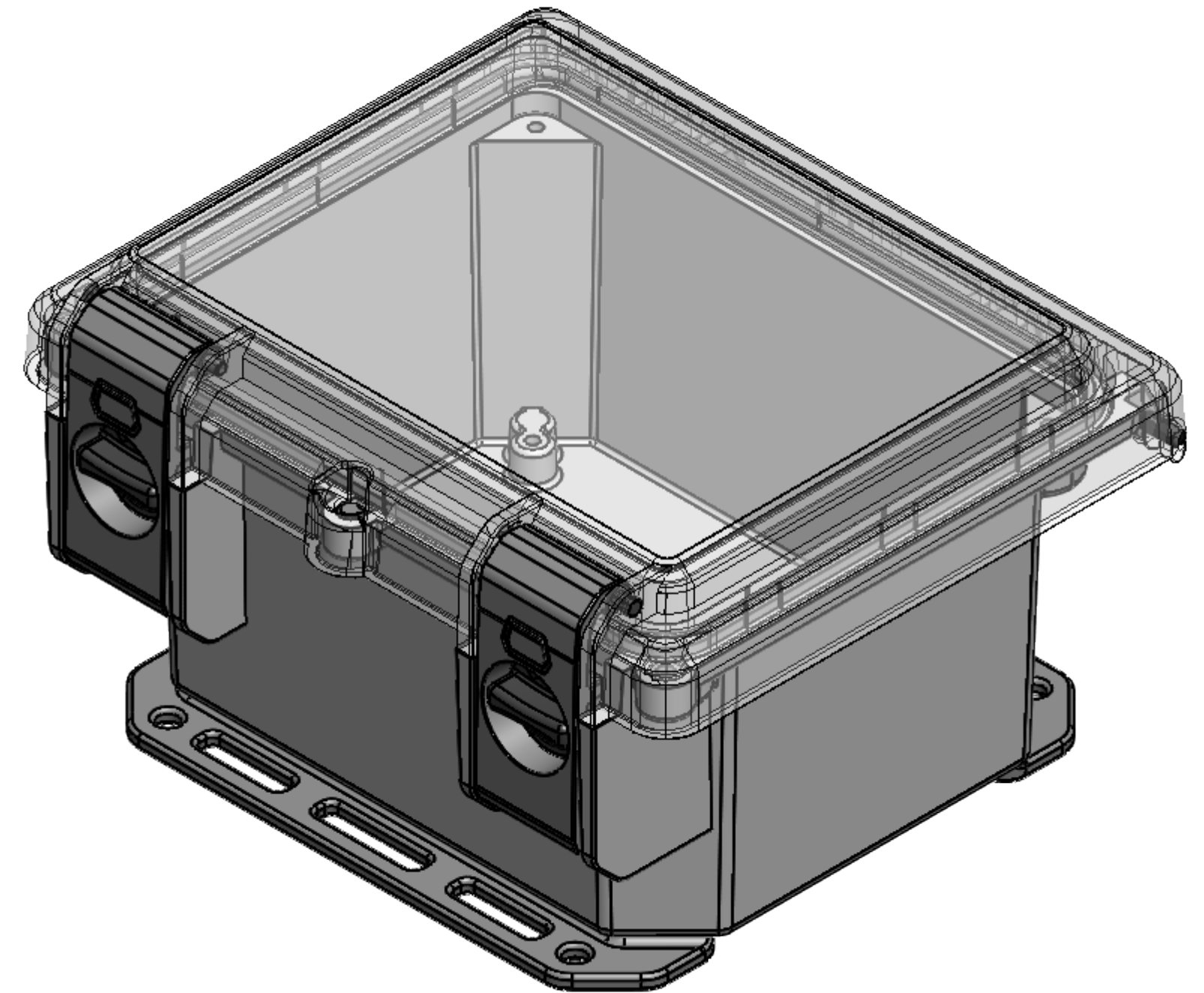
TOP & LATCHES REMOVED FOR CLARITY FROM THIS VIEW

4X 1.26

2X 1.51

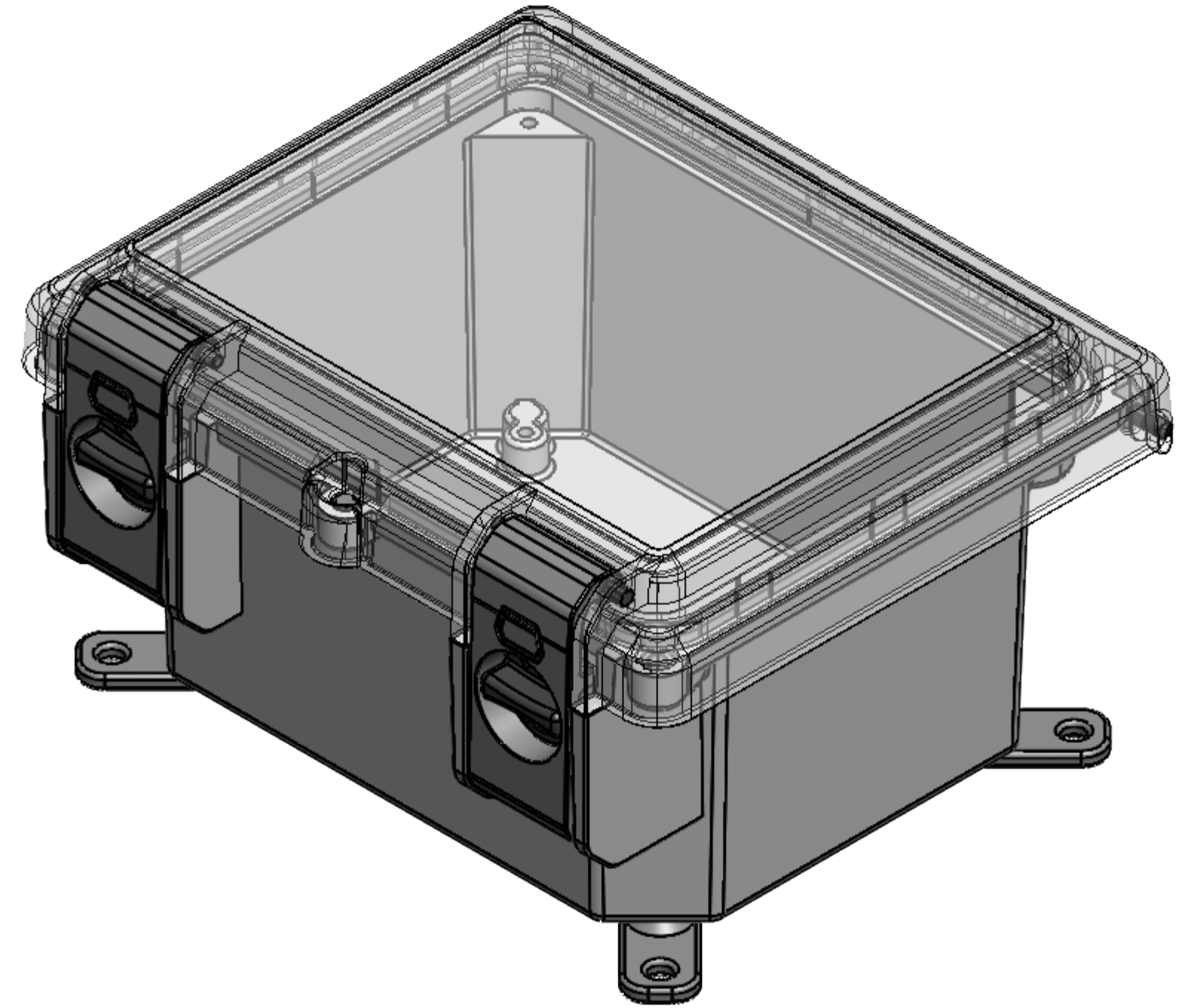
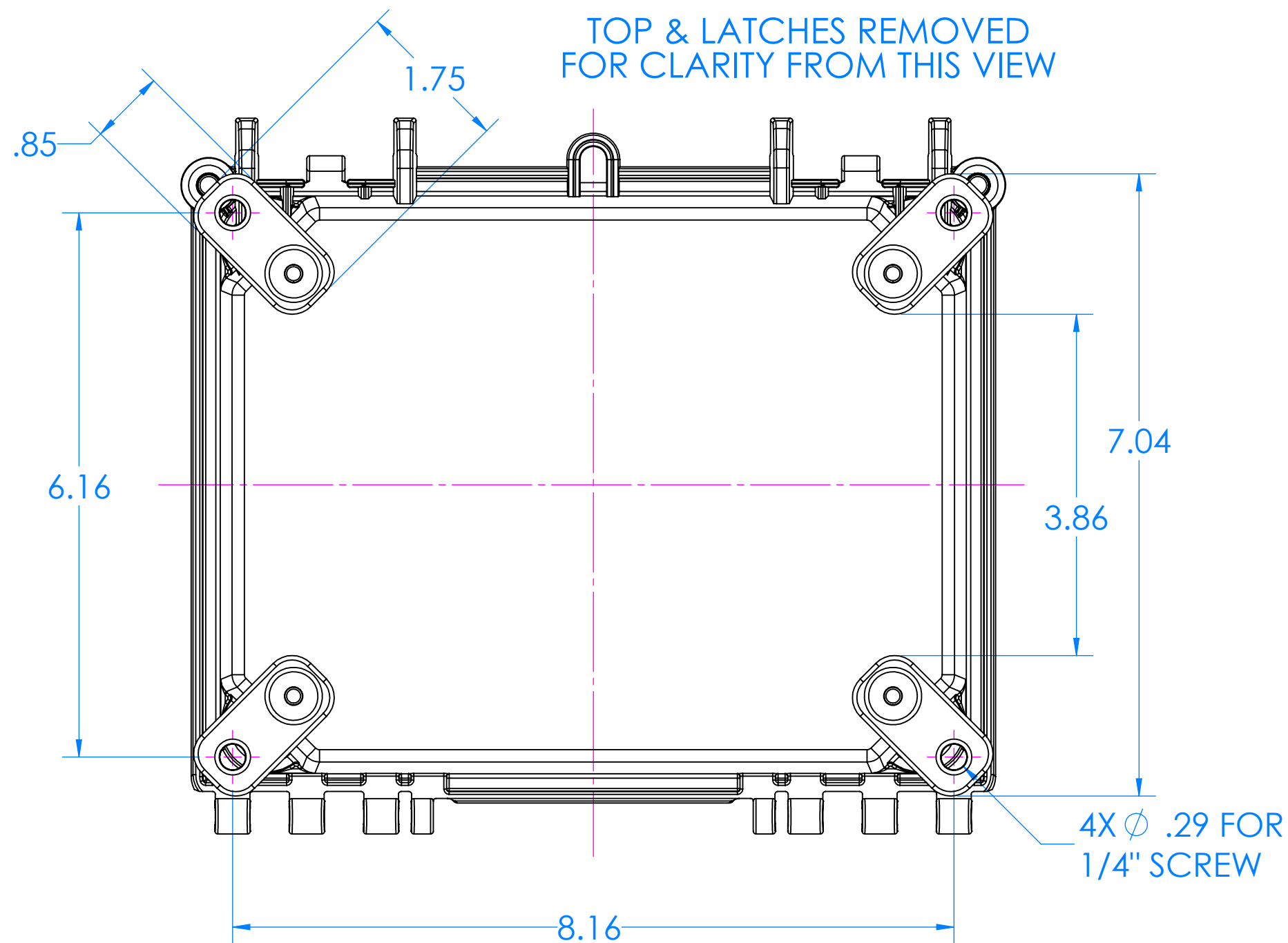
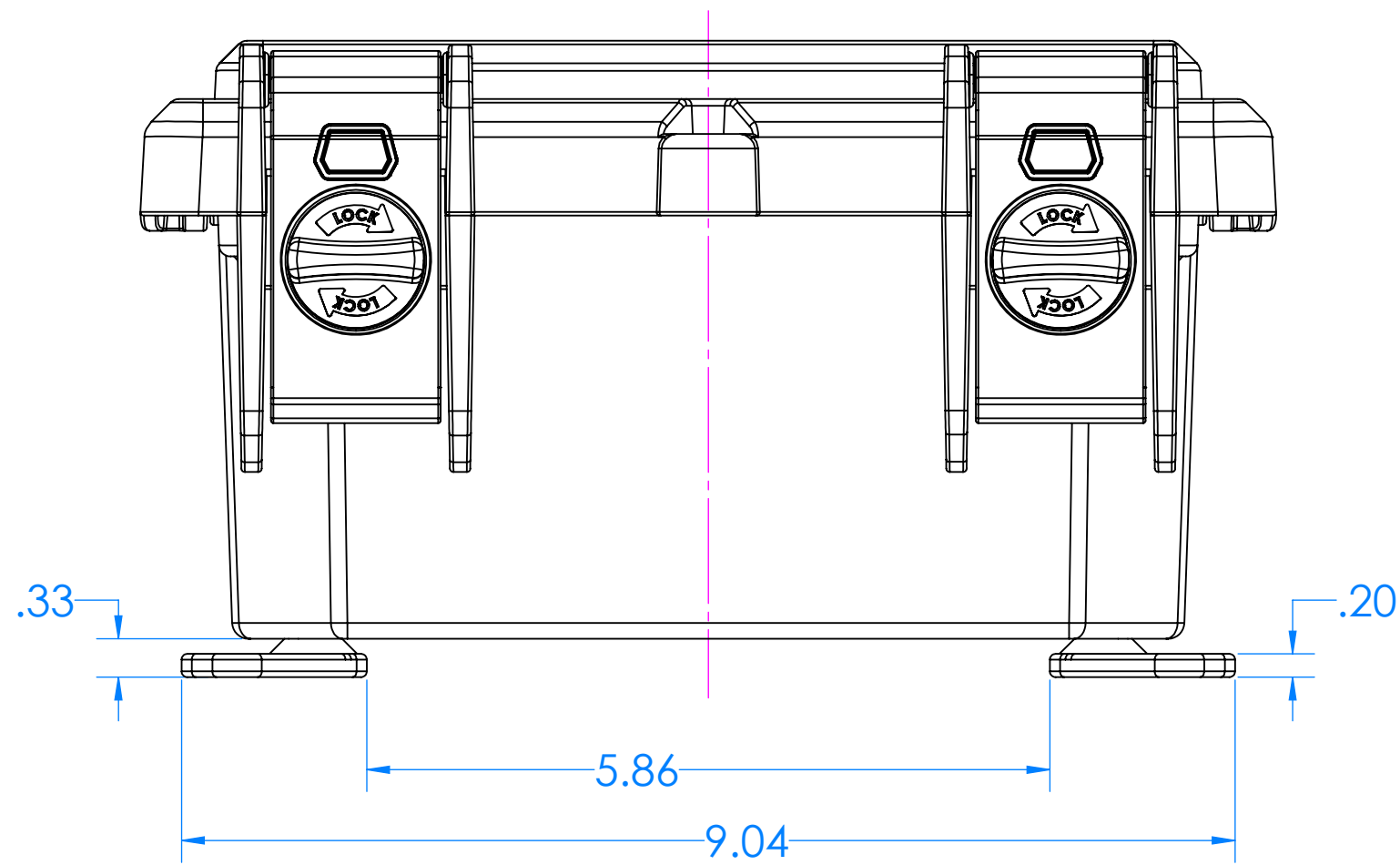
.31 SLOT WIDTH

4X ϕ .29 FOR 1/4" SCREW



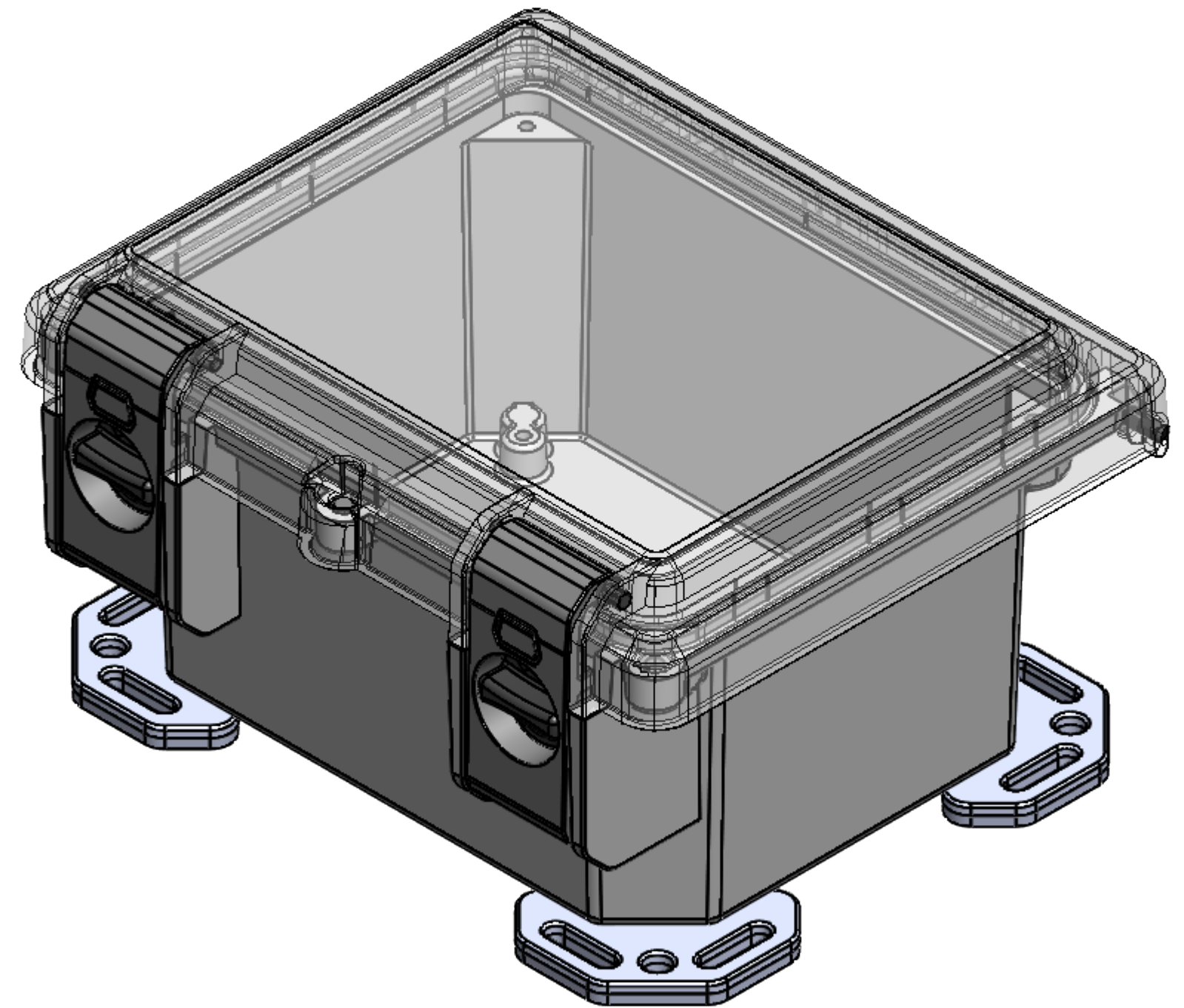
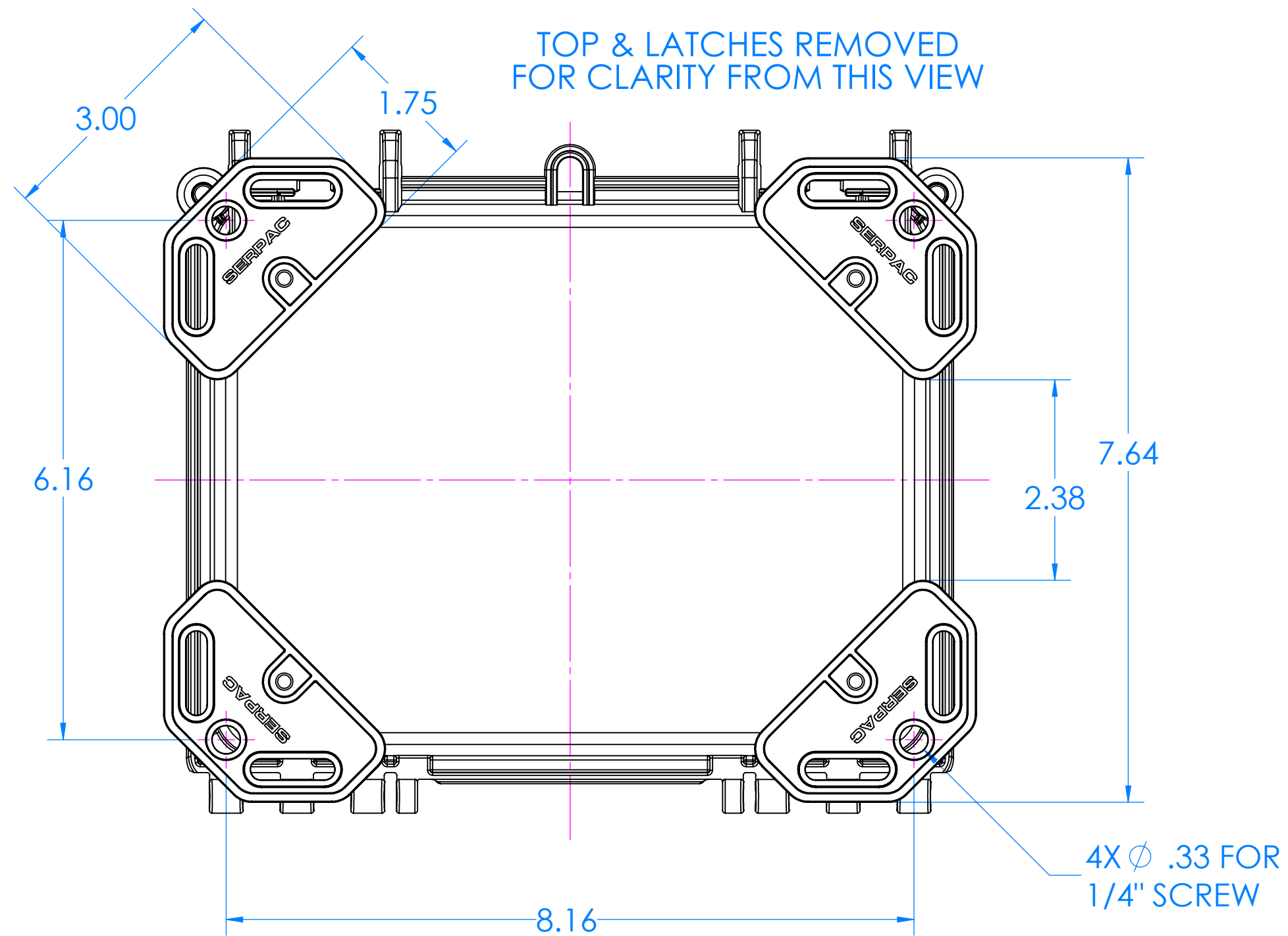
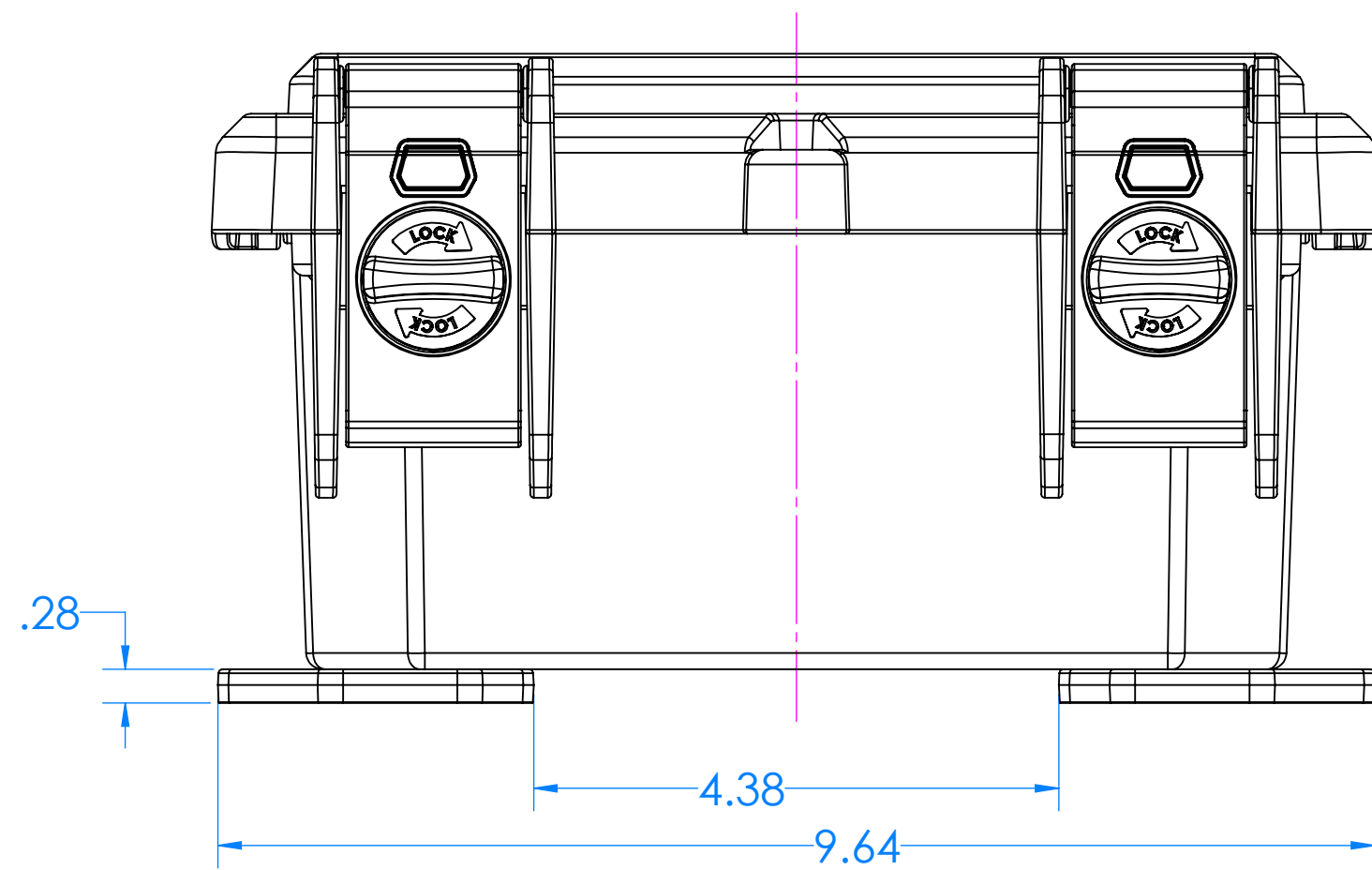
STANDARD INCLUDED MOUNTING BRACKETS

PARTS INCLUDED		
P/N	Qty.	Description
1305	2	Mounting Bracket
6028	4	SS #10 X 5/8" Pan Combo H/L Screw



OPTIONAL ACCESSORY

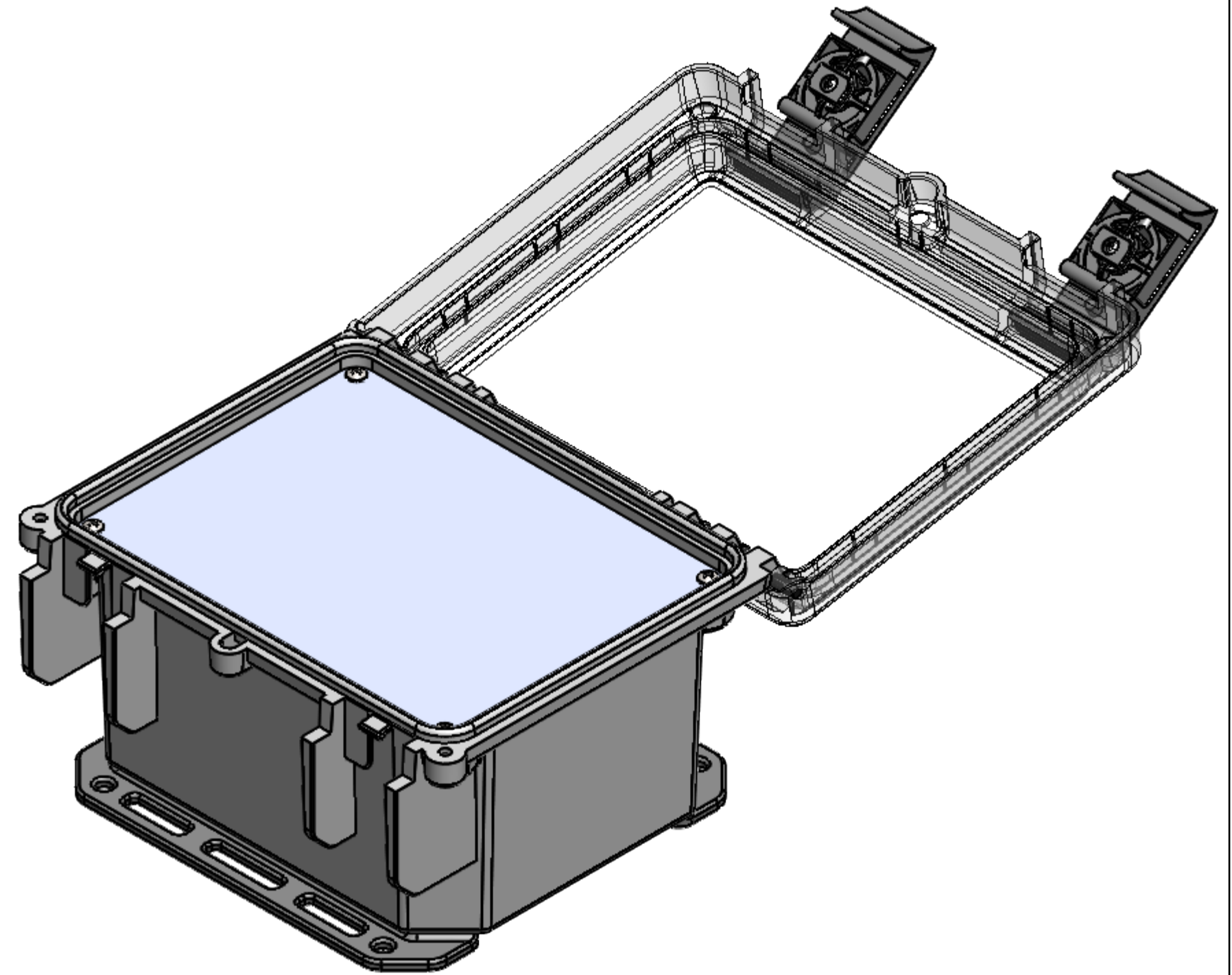
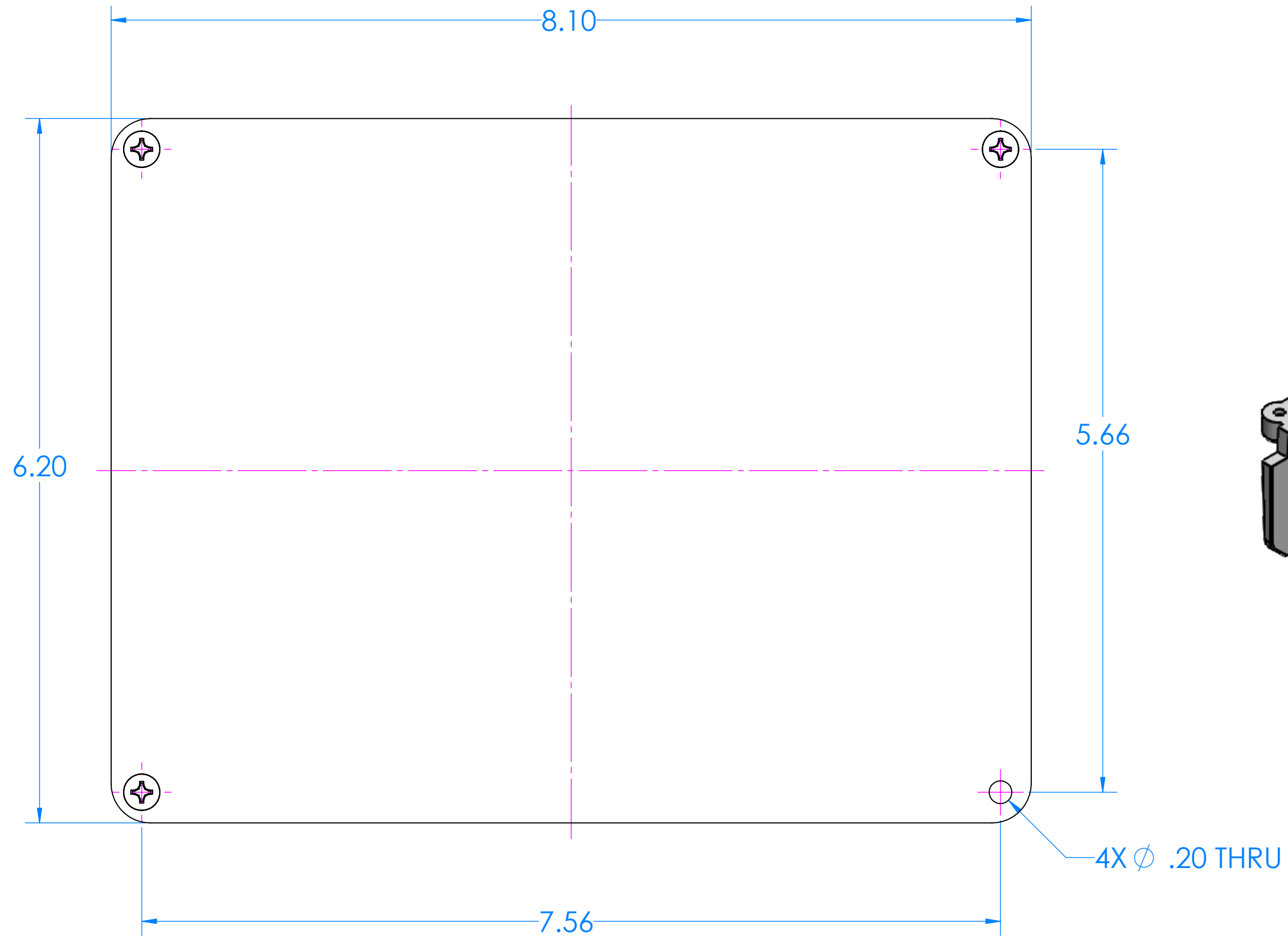
PARTS INCLUDED		
P/N	Qty.	Description
1306	4	Mounting Corner Feet
6028	4	SS #10 X 5/8" Pan Combo H/L Screw



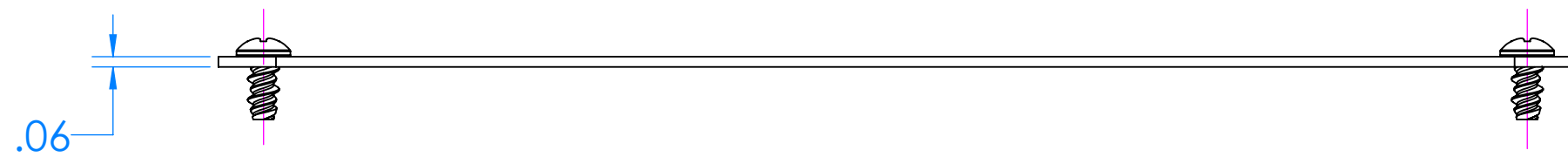
OPTIONAL ACCESSORY

PARTS INCLUDED		
P/N	Qty.	Description
1355	4	Mounting Corner Bracket
6028	4	SS #10 X 5/8" Pan Combo H/L Screw

7100T Top Panel Kit for I152HL and I152HS

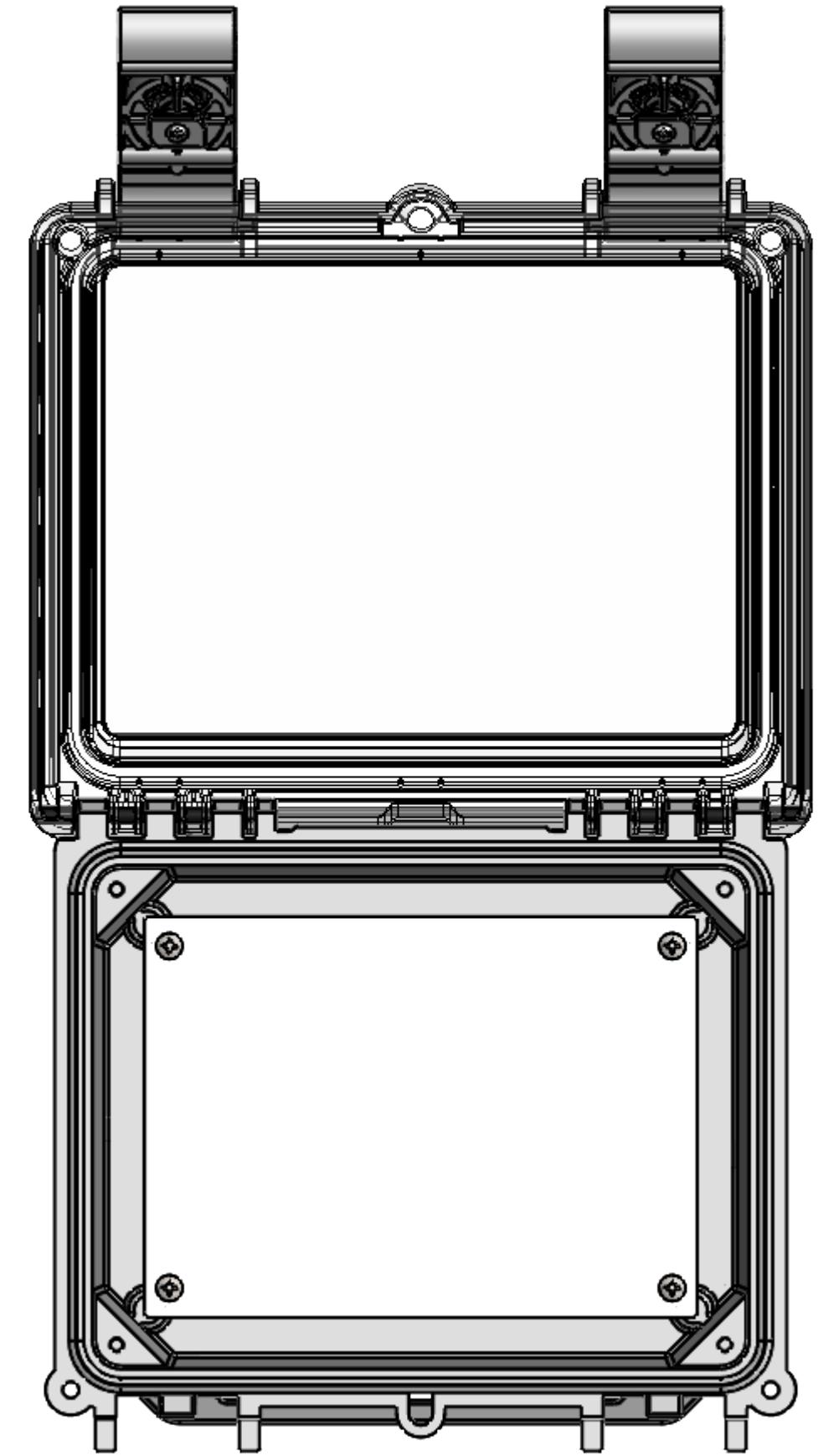
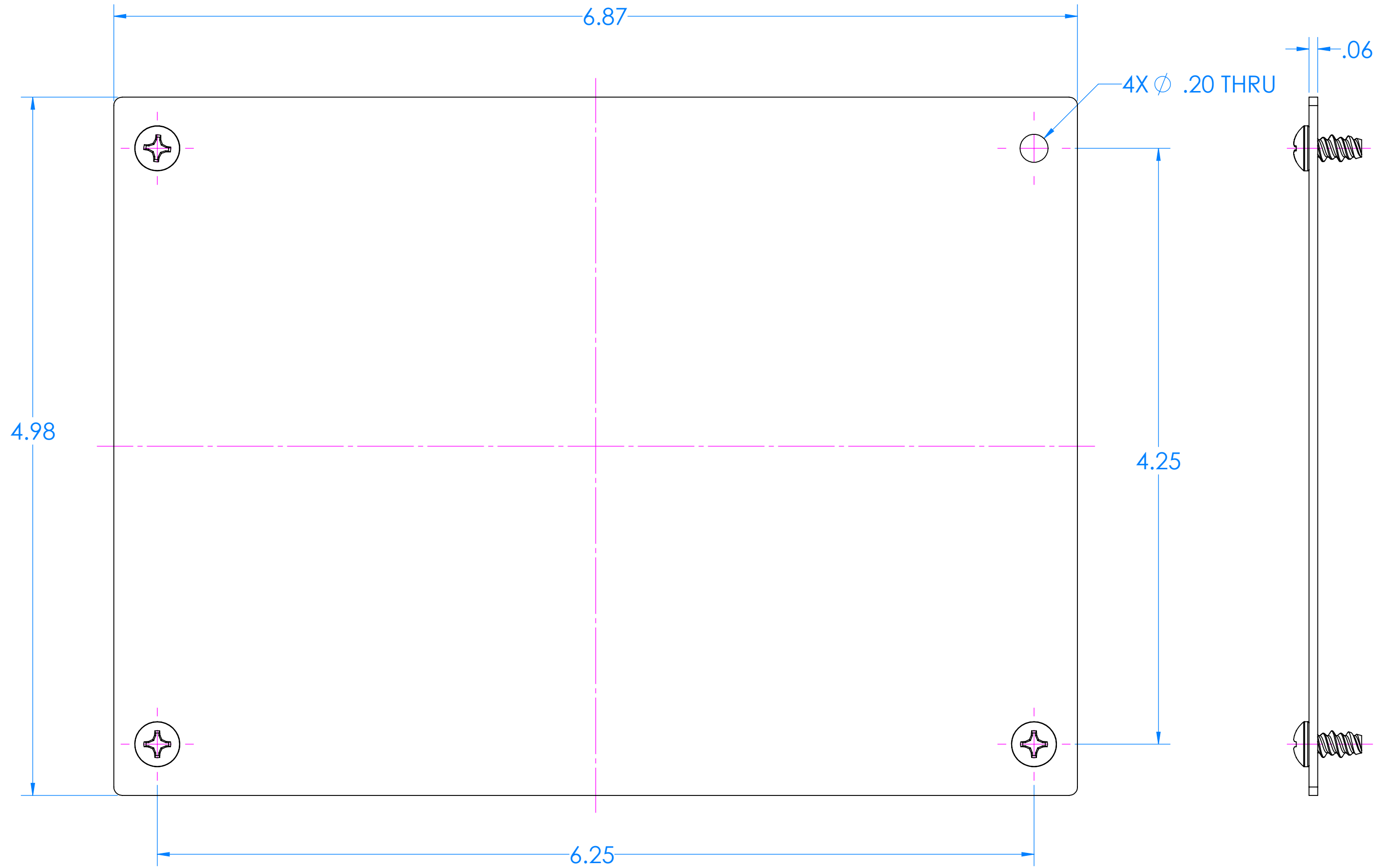


OPTIONAL ACCESSORY



PARTS INCLUDED		
P/N	Qty.	Description
71040	1	Top Aluminum Panel
6029	4	SS #10 X 3/8" Pan HL Screw

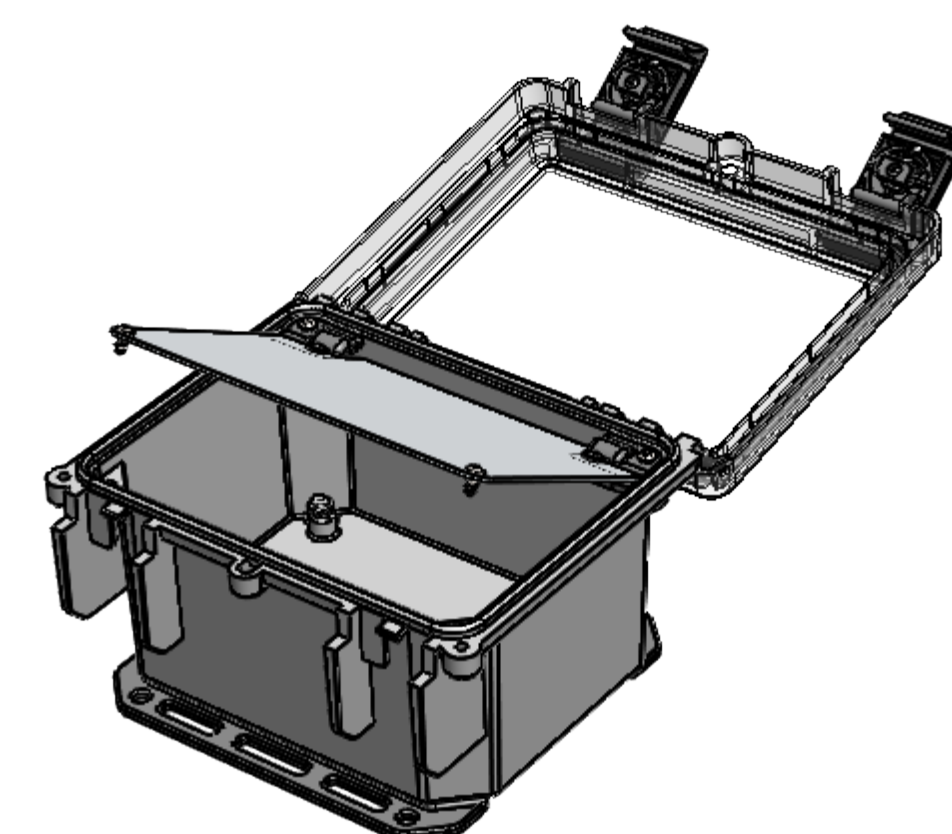
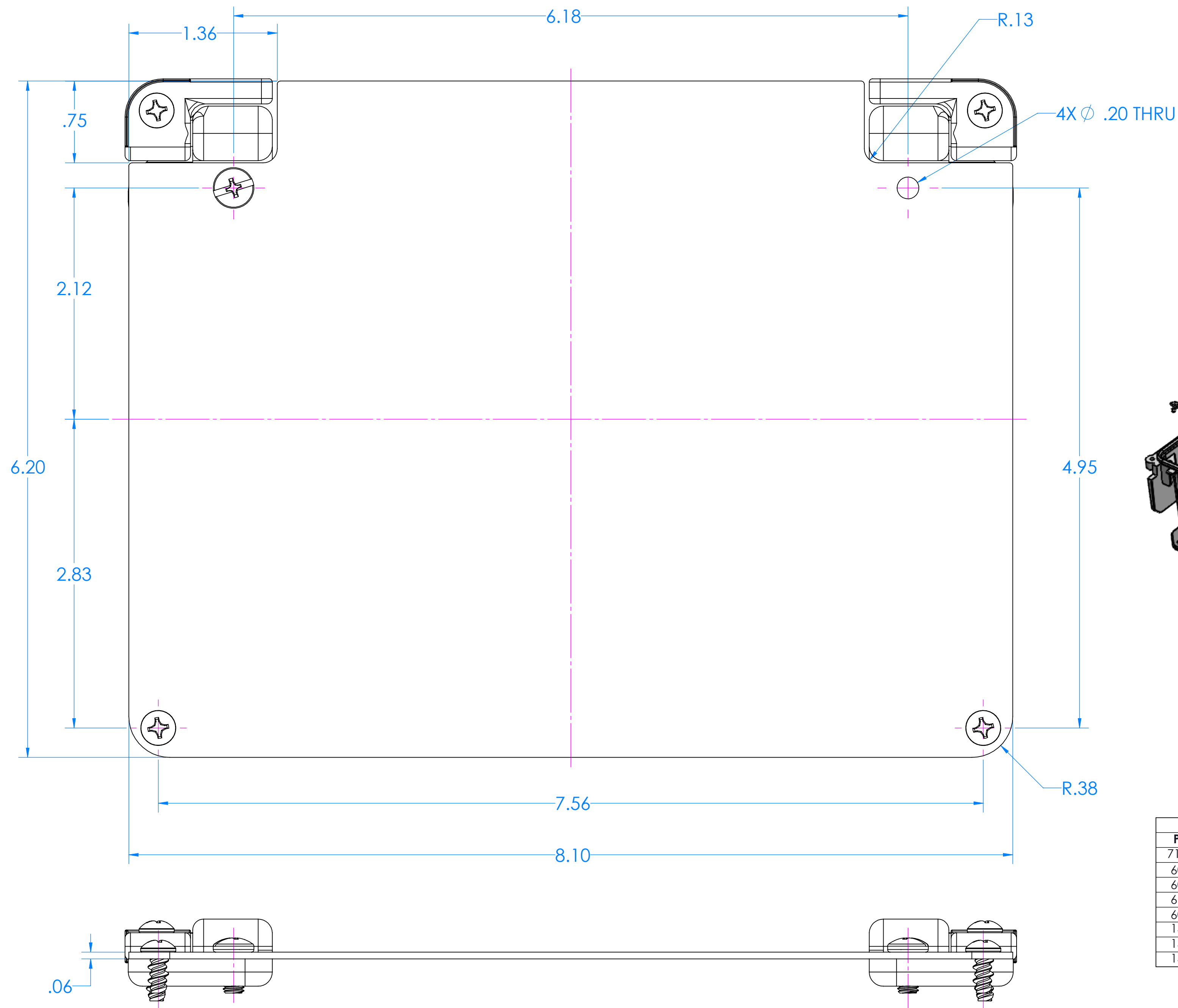
7100B Bottom Panel Kit for I152HL and I152HS



OPTIONAL ACCESSORY

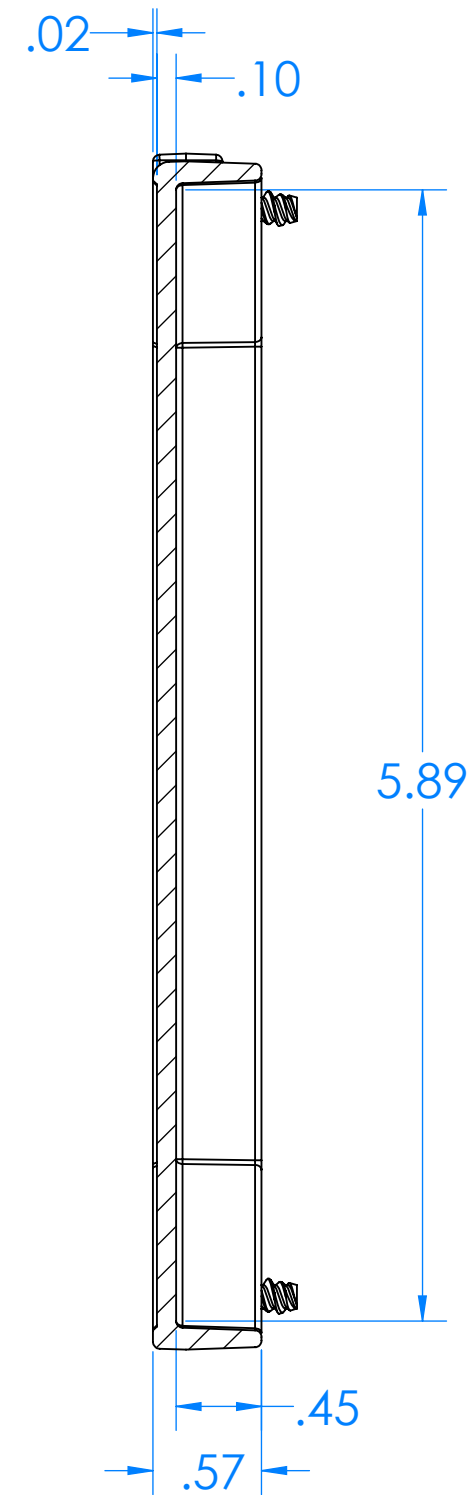
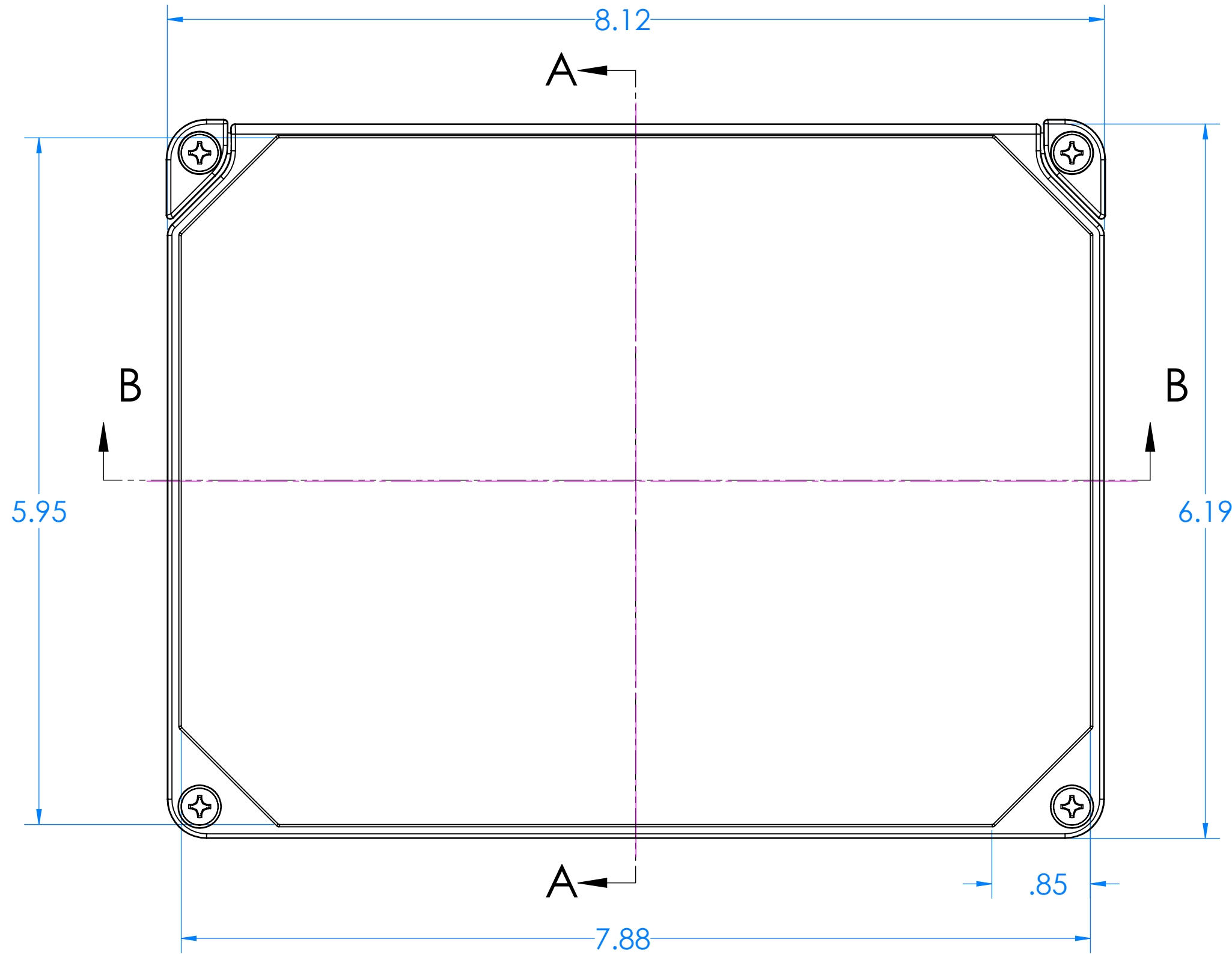
PARTS INCLUDED		
P/N	Qty.	Description
71000	1	Bottom Aluminum Panel
6029	4	SS #10 X 3/8" Pan HL Screw

7100TH Hinged Top Panel Kit for I152HL and I152HS

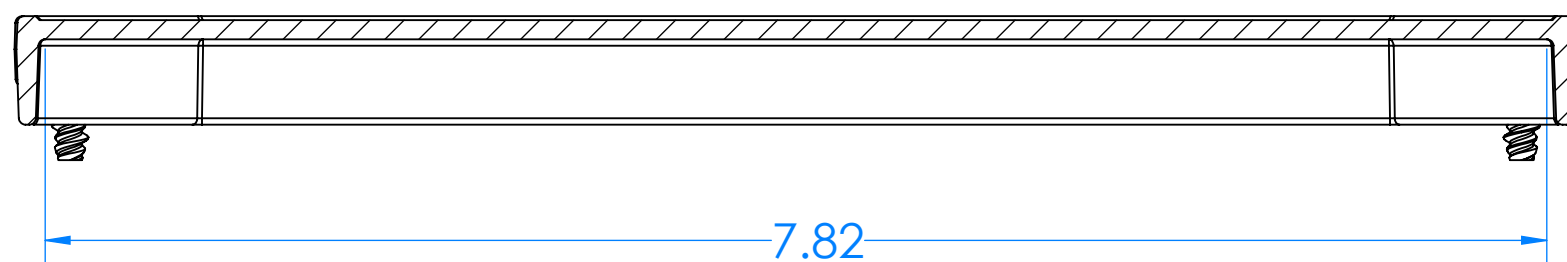


OPTIONAL ACCESSORY

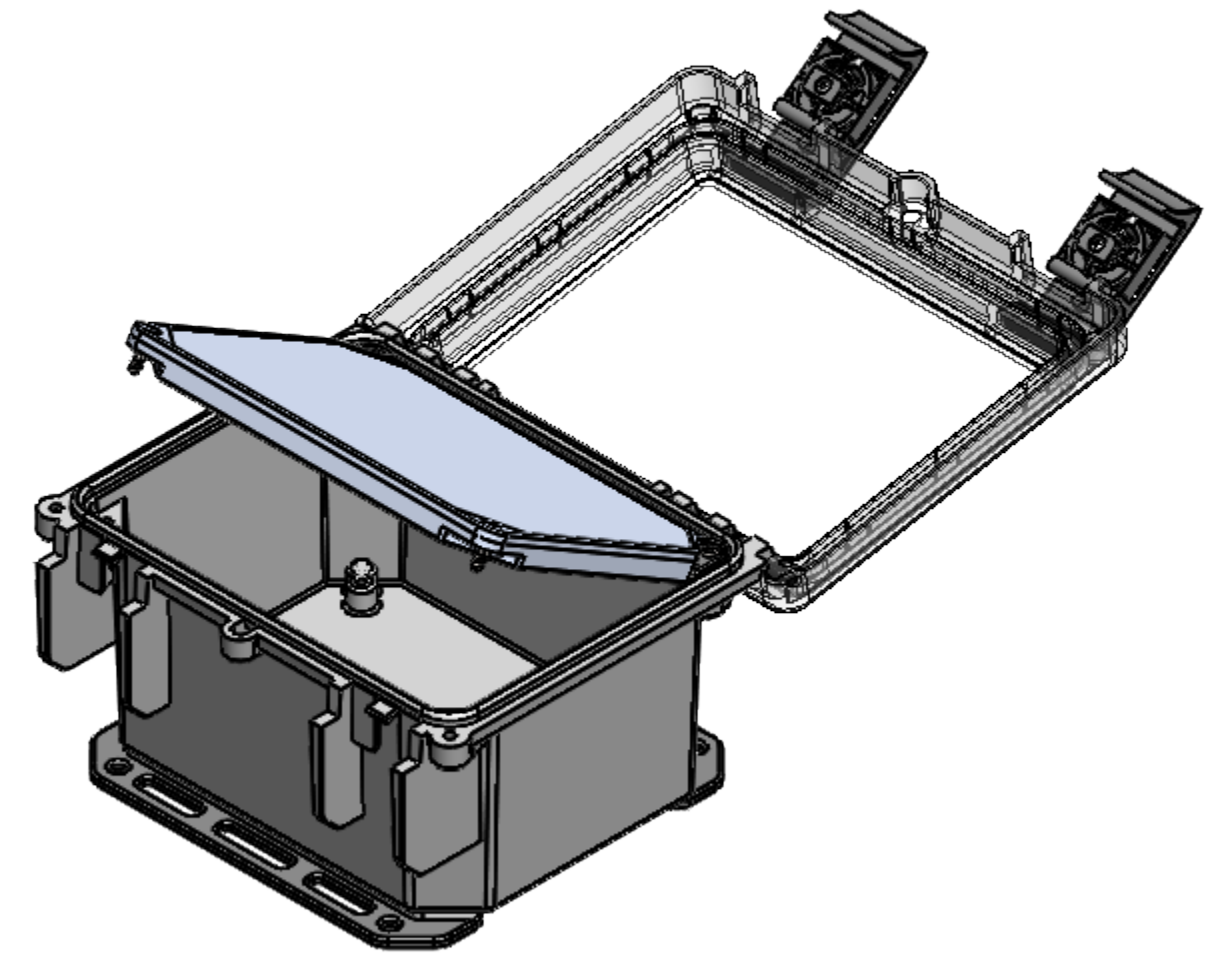
PARTS INCLUDED		
P/N	Qty.	Description
71020	1	Hinged Top Aluminum Panel
6029	2	SS #10 X 3/8" Pan HL Screw
6030	2	SS #10 X 3/8" Pan Combo Screw HL Screw
6105	2	SS #10-32 X 1/8" Nut
6028	2	SS #10 X 5/8" Pan Combo HL Screw
1307	2	Hinge Pin
1308	1	Panel Hinge A
1309	1	Panel Hinge B



SECTION A-A
SCALE 1 : 1



SECTION B-B
SCALE 1 : 1



OPTIONAL ACCESSORY

Parts Included		
P/N	Qty.	Description
71021	1	Hinged Top Plastic Panel
1310	1	Hinge - Left
1311	1	Hinge - Right
6028	4	SS #10 X 5/8" Pan Combo H/L Screw