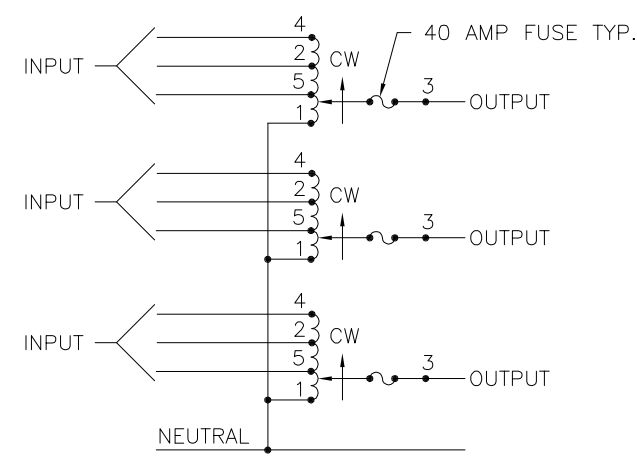


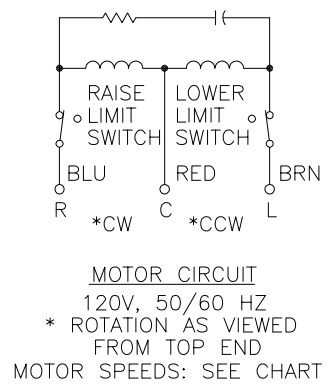
.56 [14.3] DIA. HOLE
 4 PLACES ON BOTTOM
 FLANGES FOR CUSTOMER
 MOUNTING

NOTE:
 SEE THE FRC-20 USER'S HANDBOOK, FORM #003-1922 FOR DETAILED INFORMATION.

CONTROLS:
 CONTROLLER ON/OFF SWITCH: THIS SWITCH TURNS OFF POWER TO THE CONTROLLER ONLY.
 OUTPUT ADJUSTMENT: THIS POTENTIOMETER CONTROL IS ROTATED CLOCKWISE TO INCREASE OUTPUT VOLTAGE SET POINT AND COUNTERCLOCKWISE TO DECREASE THE OUTPUT VOLTAGE SET POINT.
 VOLTMETER: THE ANALOG VOLTMETER INDICATES THE REGULATED OUTPUT VOLTAGE SETTING.
 RAISE/LOWER SWITCH: THIS SWITCH IS LOCATED INTERNALLY AND IS ACCESSIBLE FROM THE FRONT VIA THE REMOVABLE ACCESS PANEL. THE SWITCH ALLOWS THE REGULATOR TO BE MANUALLY CONTROLLED.



SCHEMATIC



MOTOR CIRCUIT
 120V, 50/60 HZ
 * ROTATION AS VIEWED FROM TOP END
 MOTOR SPEEDS: SEE CHART

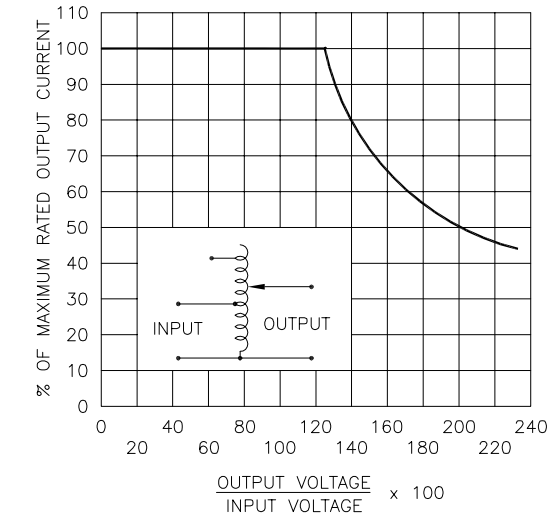
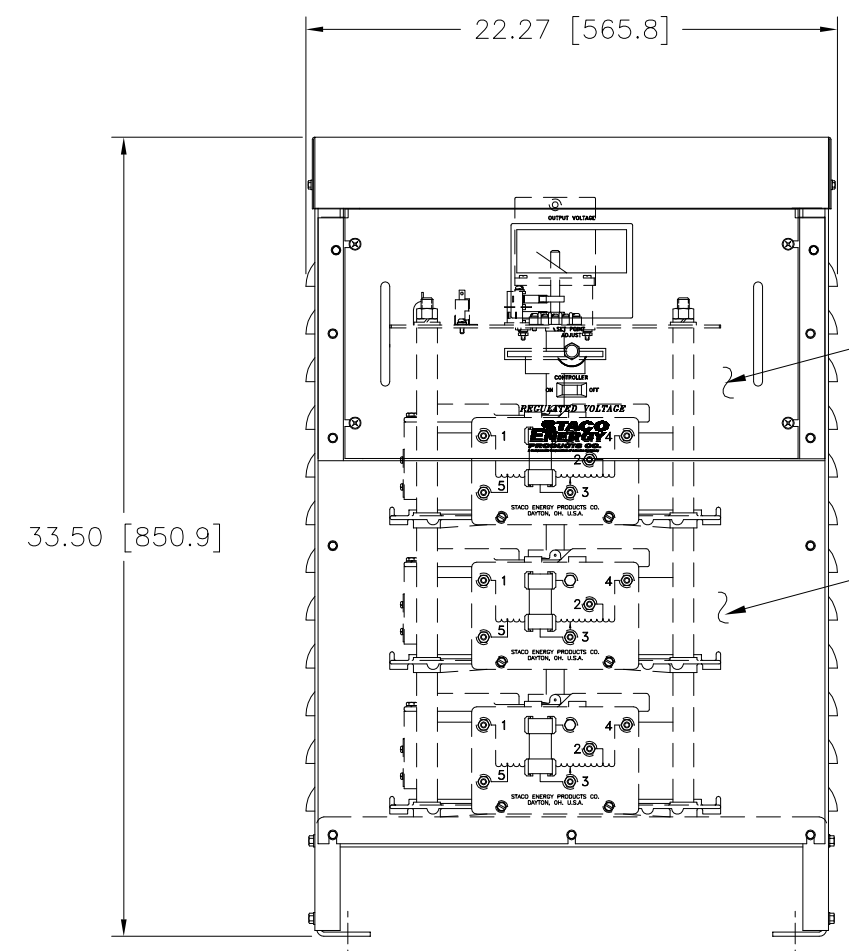


FIGURE A
 MAXIMUM OUTPUT CURRENT OF ANY DUAL INPUT VOLTAGE OR VOLTAGE DOUBLER UNIT OPERATED AT LOWER INPUT VOLTAGE.

* MAXIMUM OUTPUT CURRENT IN OUTPUT VOLTAGE RANGE FROM 0 TO 25 PERCENT ABOVE LINE VOLTAGE. AT HIGHER OUTPUT VOLTAGES, OUTPUT CURRENT MUST BE REDUCED ACCORDING TO RATING CURVE (SEE FIGURE A).
 ++ MAXIMUM KVA AT MAXIMUM OUTPUT AND CORRESPONDING DE-RATED CURRENT. MAXIMUM KVA AT LOWER OUTPUT VOLTAGES MAY BE CALCULATED FROM RATING CURVE, (SEE FIGURE A).

V.D. = VOLTAGE DOUBLER.

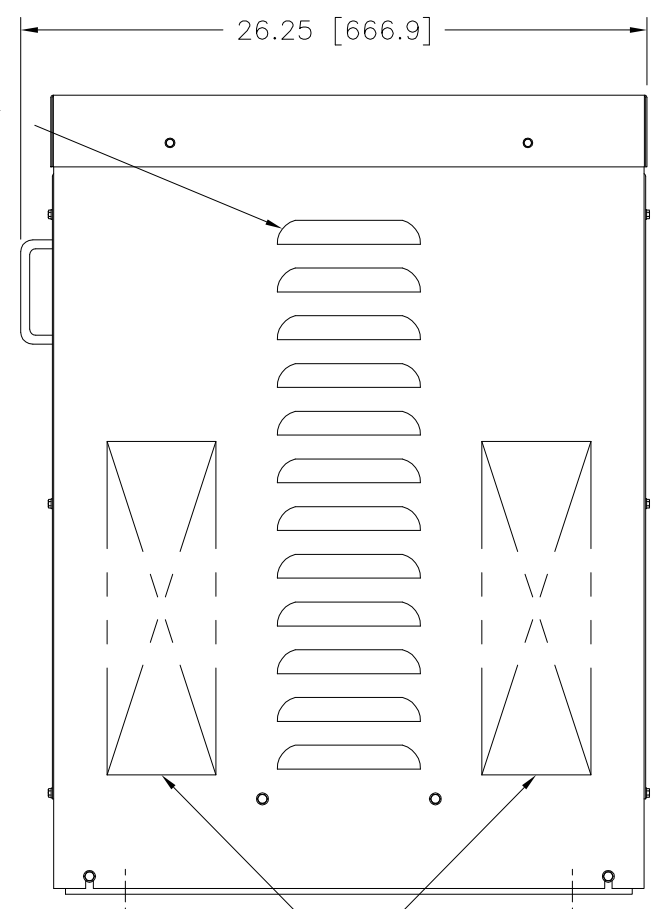
SPEED (SECONDS)	MODEL NUMBER
5	FV5M6020E-3Y
15	FV15M6020E-3Y
30	FV30M6020E-3Y
60	FV60M6020E-3Y



LOUVER VENTS BOTH SIDES

SEE SHEET #2 FOR PANEL DETAILS

ACCESS PANEL TO FUSES & TERMINALS



RECOMMENDED AREAS FOR CONDUIT ENTRY

WIRING	INPUT		OUTPUT			SHAFT ROTATION FOR VOLTAGE INCREASE	TERMINAL CONNECTIONS FOR INCREASING VOLTAGE AS VIEWED FROM TOP	
	VOLTS	HERTZ	VOLTS	CONSTANT CURRENT LOAD			INPUT	OUTPUT
				MAX. AMPS	MAX. KVA			
THREE PHASE WYE	480	50/60	0-480	35	29.1	CW	4-4-4	3-3-3
		60	0-560	35	33.9	CW	2-2-2	3-3-3
	240	60	0-560	35* 15 V.D.	14.5 ++	CW	5-5-5	3-3-3

UNLESS OTHERWISE SPECIFIED, TOLERANCE IS ± DECIMALS .0005 HOLES .0012 ANGLES .03 DRAFT 1° UNITS IN [mm] TITLE: SPEC. CONTROL DRAWING MOTORIZED VARIABLE XFMR. TYPE: FVM6020E-3Y

MATERIAL: ALL DIMENSIONS APPLY AFTER PLATING

STACO ENERGY PRODUCTS CO. A Components Corporation of America Company 302 South Boulevard Dayton, Ohio 45402 USA

DRAWN BY T.SNAY DATE 5/6/05 FIRST USED ON DO NOT SCALE DWG. CAGE CODE 83008

CHECKER DATE WEIGHT APPROX. SCALE .25=1 SHEET 1 OF 2

ENGINEER DATE SCALE .25=1 SHEET 1 OF 2

DWG. NO. 032-8291