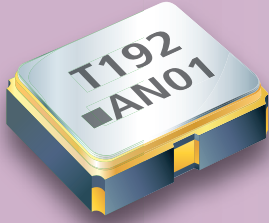


SMD Oscillators- CMOS Output 2.5 x 2.0 x 0.8 mm AW Series



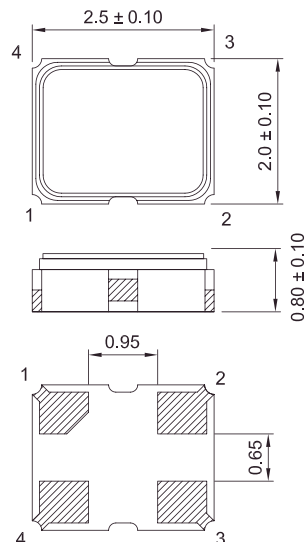
Features

- Ultra Small SMD seam sealed clock crystal oscillator units.
- Tri-state function available.
- RoHS Compliant / Pb Free.

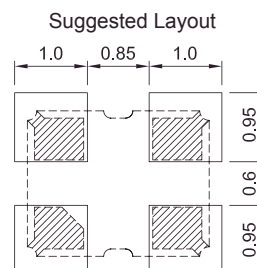
Electrical Specifications

Item / Type	AW	
Output Type	CMOS	
Output Load	15 pF	
Oscillation Mode	Fundamental	
Supply Voltage	1.8 V, 2.5 V, 2.8 V, 3.3 V	
Frequency Range	4 ~ 54 MHz	
Frequency Stability	± 25 ppm, ± 50 ppm, ± 100 ppm	± 100 ppm, or specify
Operating Temperature Range	- 40 ~ + 85 °C	- 40 ~ + 125 °C
Storage Temperature Range	- 55 ~ + 125 °C	
Voltage Vol (Max.) / Voh (Min.)	0.1 VDD / 0.9 VDD	
Rise (Tr) / Fall (Tf) Time	5 ns Max.	
Supply Current	10 mA Max.	
Symmetry	45 ~ 55 %	
Start-up Time	5 ms Max.	
Phase Jitter (12 KHz ~ 20 MHz)	1 ps Max.	
Aging (at 25 °C)	± 3 ppm / year Max.	
Reliability Standard	AEC-Q100	

Dimensions



PAD FUNCTION:
 1:ENABLE CONTROL
 2:GND
 3:OUT
 4:VDD



Units: mm

Remark : Specification subject to change without prior notice. Please confirm with our sales. <http://www.txccorp.com>