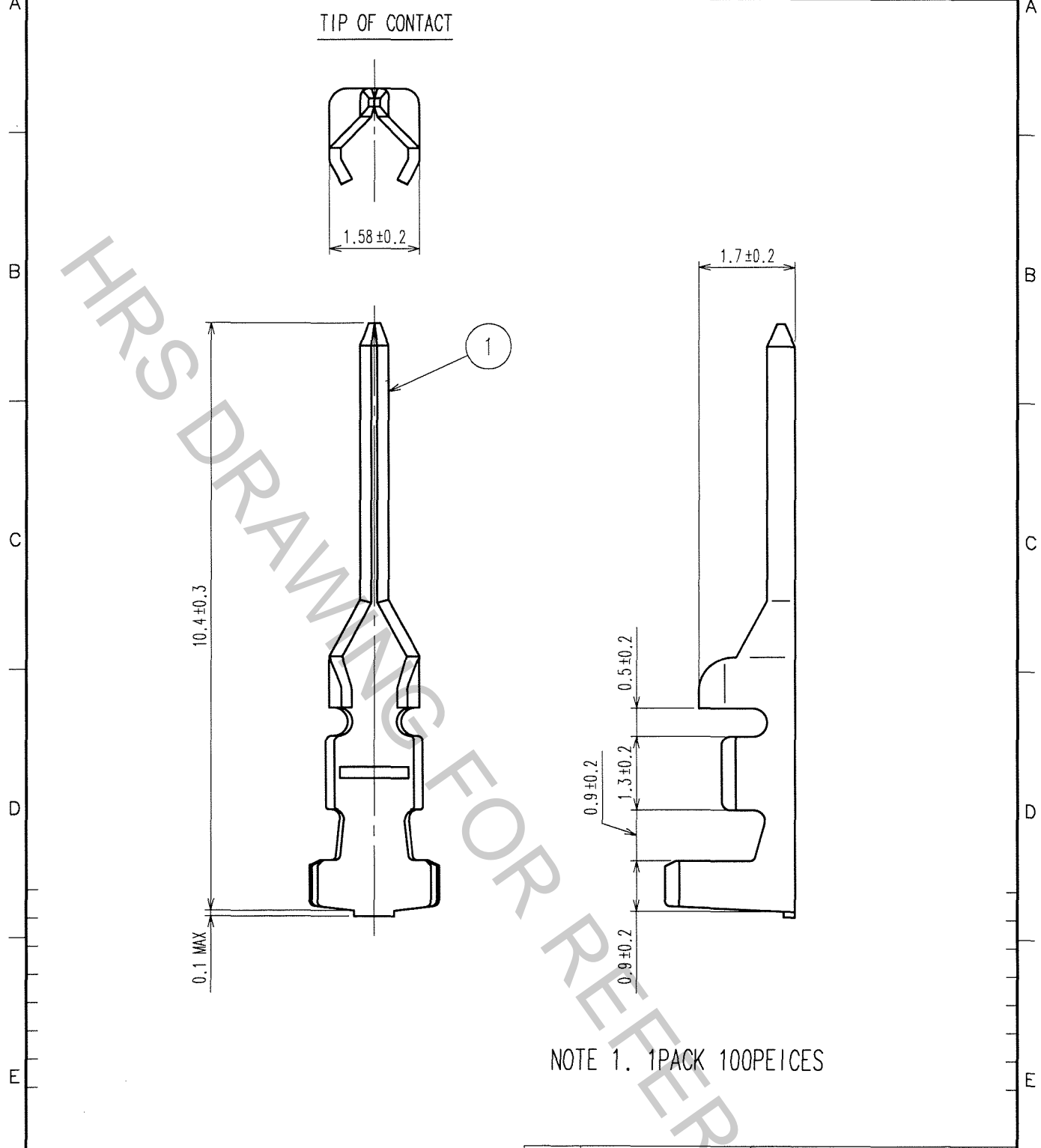


Apr.1.2017 Copyright 2017 HIROSE ELECTRIC CO., LTD. All Rights Reserved.

1		2			3			4		
COUNT	DESCRIPTION OF REVISIONS	BY	CHKD	DATE	COUNT	DESCRIPTION OF REVISIONS	BY	CHKD	DATE	
△					△					
△					△					
△					△					



NOTE 1. 1PACK 100PEICES

1	PHOSPHOR BRONZE	TIN PLATED 1μ m min
---	-----------------	---------------------

NO.	MATERIAL	FINISH, REMARKS	NO.	MATERIAL	FINISH, REMARKS

CODE NO. (OLD)	DRAWN	DESIGNED	CHECKED	APPROVED	RELEASED
	A.MIYAZAKI	A.MIYAZAKI	H. Umehara	J. Oma	
	'06.08.03	'06.08.03	06.08.05	06.08.07	

TO

	DRAWING NO.	PART NO.
	EDC4-081374-01	DF11-EP2428PC
		CODE NO.
SCALE 10 : 1	HIROSE ELECTRIC CO.,LTD.	CL543-0616-7
UNITS mm		1/1