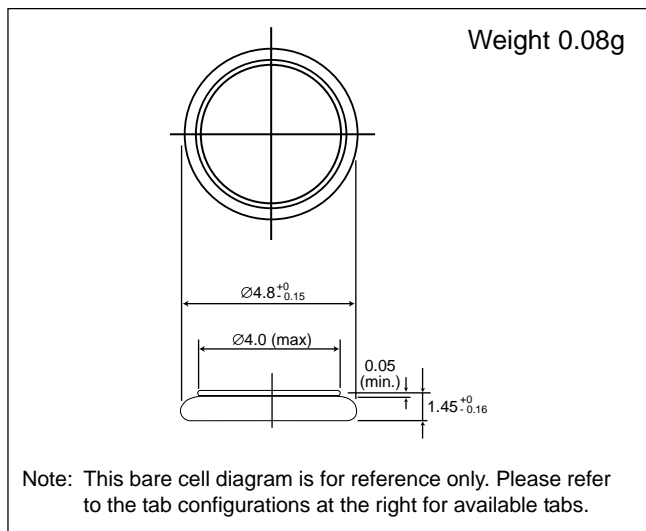


Niobium-Lithium Rechargeable Batteries (NBL series): Individual Specifications

NBL414

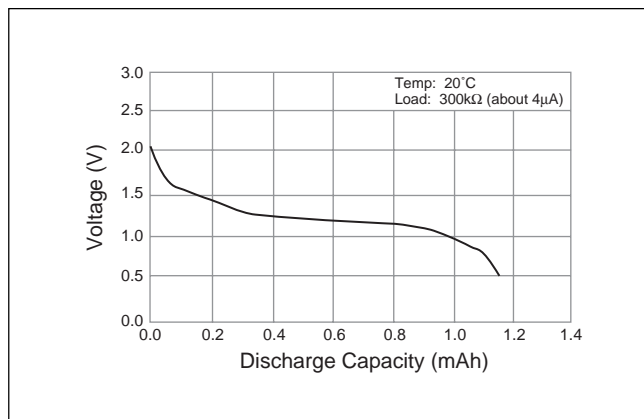
■ Dimensions(mm)



■ Specification

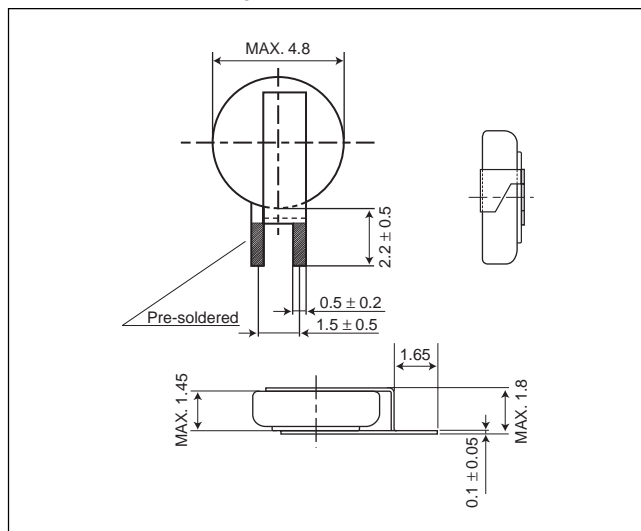
Nominal voltage (V)	2
Nominal capacity (mAh)	1.0
Continuous standard load (mA)	0.008
Operating temperature (C)	-20 ~ +60

■ Discharge characteristics



NBL414/F9D

■ Available Tab Configuration



Notes:

- To ensure proper electrical contact, it is recommended that rechargeable coin cell batteries be used with tabs for PC Board mounting. Please consult Panasonic before planning a design that will use bare coin cells without tabs (e.g. using a holder).
- Please contact Panasonic for requests on custom tab configurations. Minimum order requirements may apply.