

MODELS:

# CSC32USB / CSC32USBW

## 32-Device USB Charging Station with Syncing



Holds Up to 32 Tablets



2.4A USB Charging per Port



200 lb. Load Rating



Sturdy Steel Construction



Locking Doors



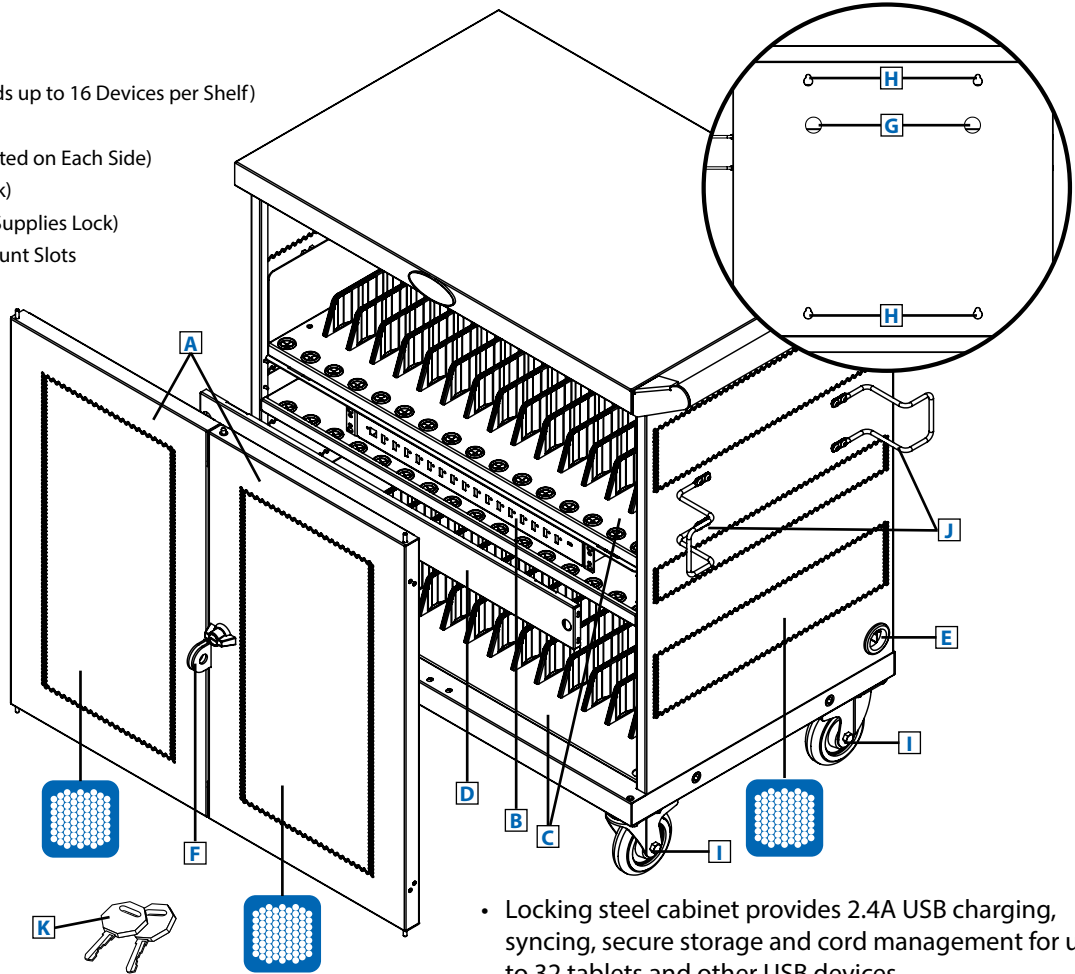
Adjustable Storage Shelf Dividers



Ventilated for Ample Airflow

- A** Locking Split Doors
- B** 32-Port USB Charger/Hub
- C** Adjustable Storage Shelves (Holds up to 16 Devices per Shelf)
- D** Blanking Panel (Removable)
- E** Power Cord Access Holes (1 Located on Each Side)
- F** Padlock Hasp (User Supplies Lock)
- G** Cable Lock Routing Holes (User Supplies Lock)
- H** Rear Panel with Keyhole Wall Mount Slots
- I** Swivel/Locking Casters
- J** Power Cord Manager
- K** Keys

Not Shown: Power Cord



- Locking steel cabinet provides 2.4A USB charging, syncing, secure storage and cord management for up to 32 tablets and other USB devices
- Supports iPad®, Android™, Surface™ and Kindle tablets
- Adjustable/removable storage shelf dividers accommodate thicker devices
- Door locks with included keys prevent device theft, damage or tampering

**SEE NEXT PAGE FOR DETAILED UNIT MEASUREMENTS**



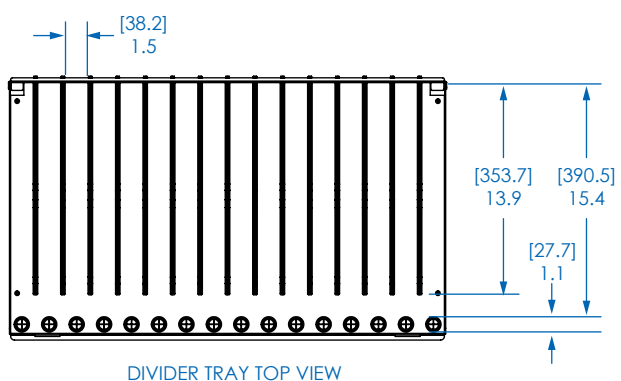
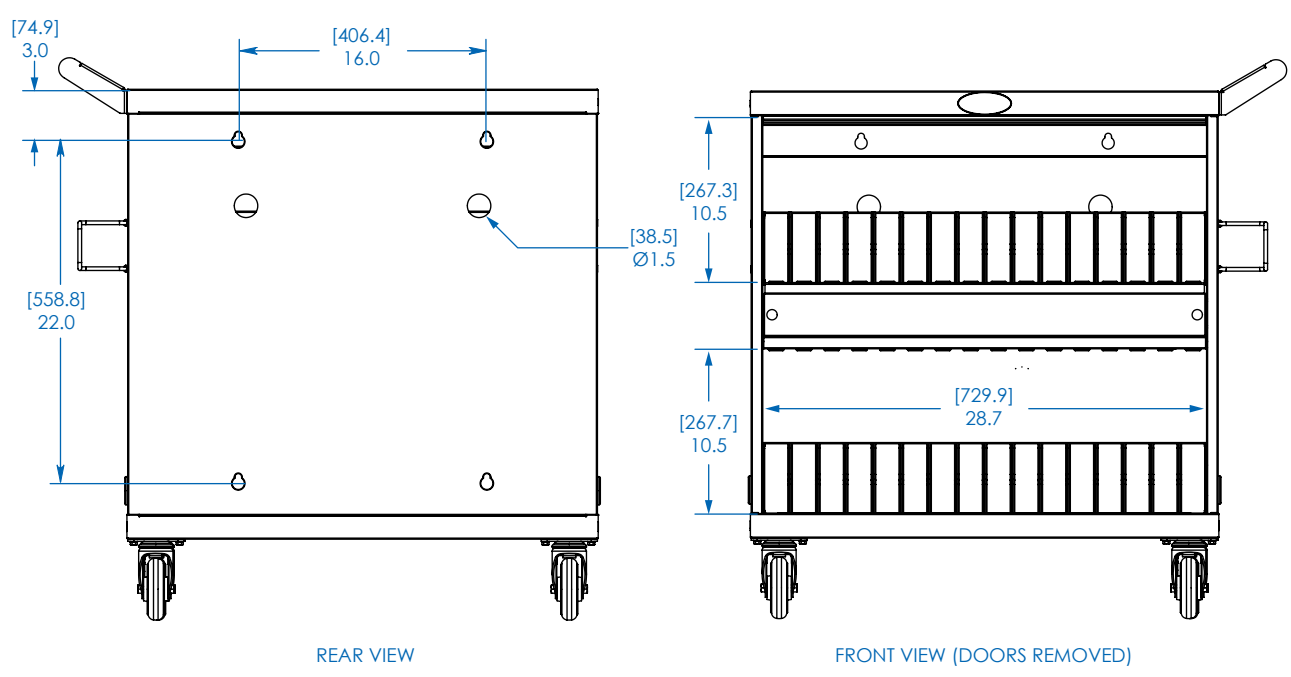
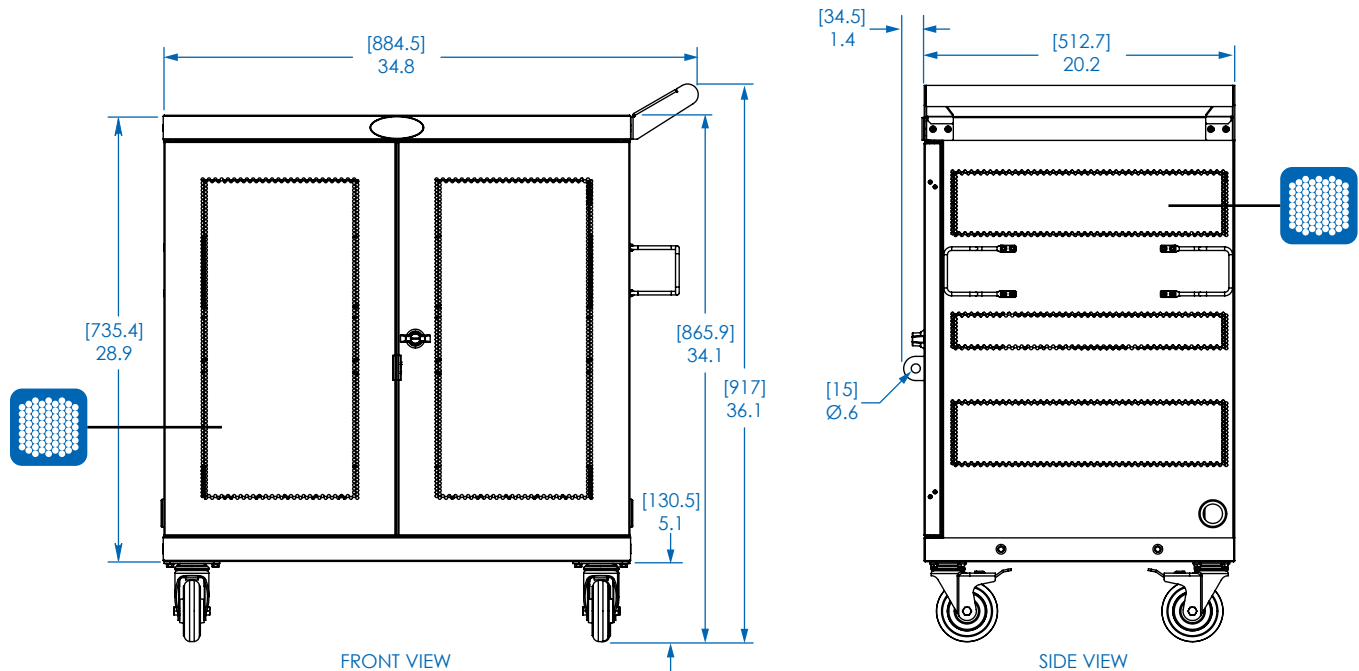
1111 W. 35th Street  
Chicago, IL 60609 USA  
773.869.1234  
www.tripplite.com

### Specifications

<b>Model</b>	CSC32USB / CSC16USBW
<b>Maximum Devices Per Shelf</b>	32
<b>Charger/Hub Ports</b>	32 x USB 2.0 A (Female), 2 x USB 2.0 B (Female), 2 x USB 2.0 mini (Female)
<b>Equipment Mounting Depth</b>	15.4 in. / 390.5 mm
<b>Load Rating*</b>	200 lbs. / 90 kg (Stationary or Rolling)
<b>Unit Dimensions with Handle and Casters Installed (H x W x D)</b>	36.1 x 34.8 x 21.6 in. / 916.9 x 883.9 x 548.6 mm
<b>Unit Weight</b>	130.67 lb. / 59.2 kg
<b>Transmission Speed</b>	Up to 480 Mbps
<b>Power Requirement</b>	Input: 100-240V, 2.5A, 50/60 Hz Output: 5.0V, 2.4A Max (per USB port)
<b>Standards</b>	Meets UL 60950, TUV (US and Canada), NOM (Mexico) and RoHS standards

\*The load rating includes the combined weight of the unit and installed equipment. The unit must be mounted to a stable surface with user-supplied anchors capable of bearing the full load.





MODELS:  
**CSC32USB /**  
**CSC32USBW**



1111 W. 35th Street  
 Chicago, IL 60609 USA  
 773.869.1234  
 www.tripplite.com

Dimensions: [mm] INCHES

Tripp Lite has a policy of continuous improvement. Specifications are subject to change without notice.