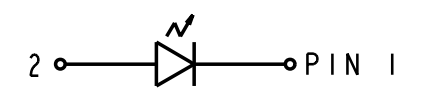
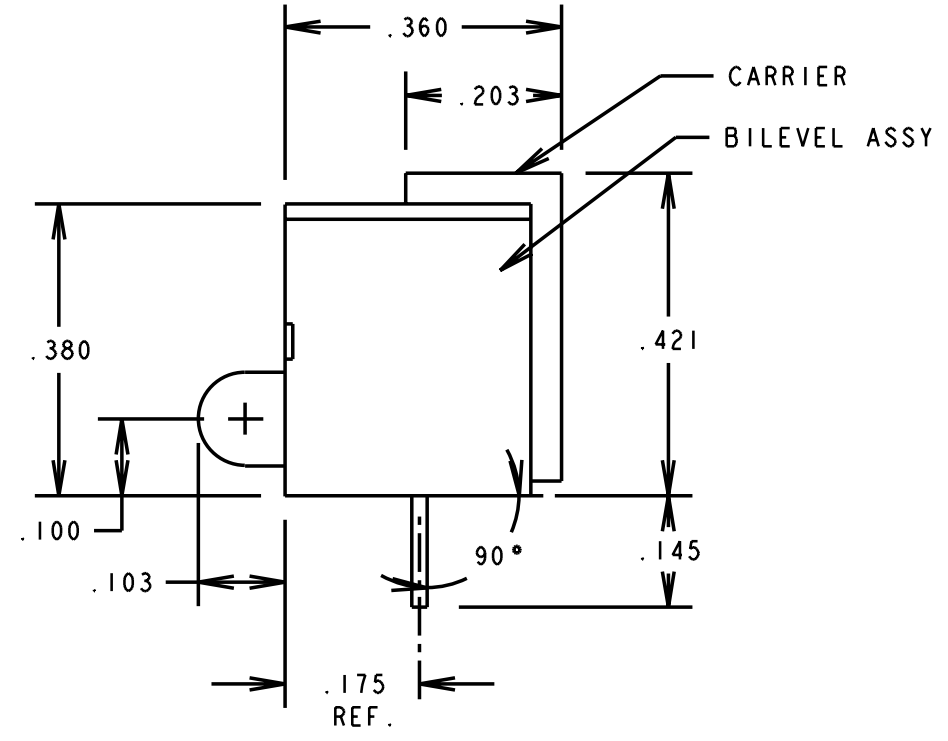
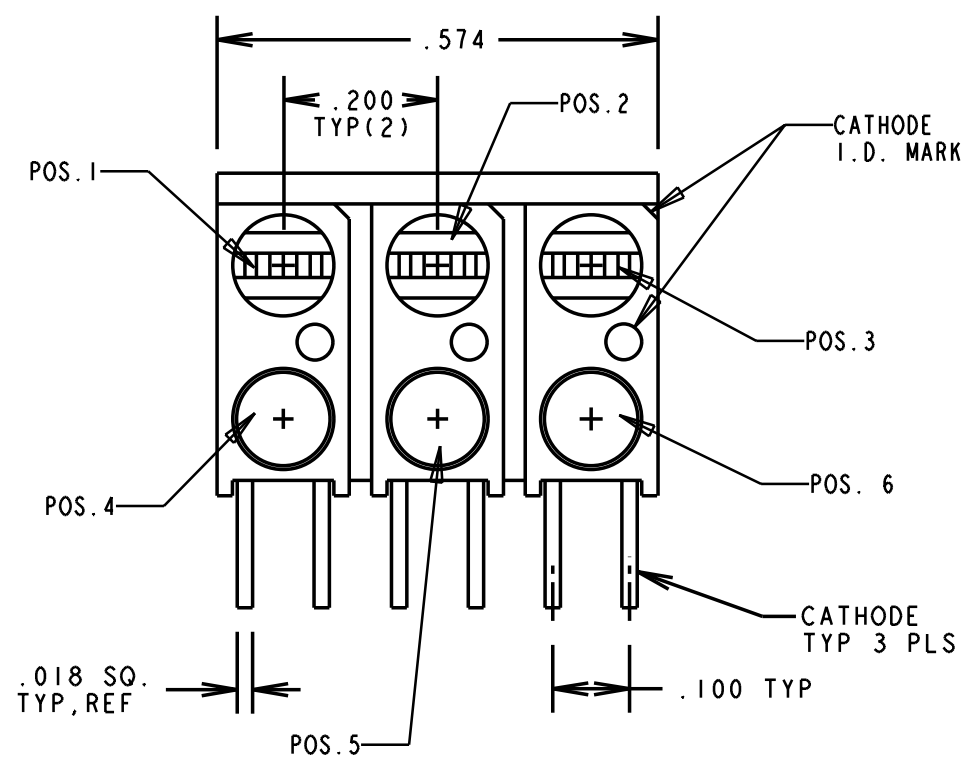


PART NUMBER	POS. 1	POS. 2	POS. 3	POS. 4	POS. 5	POS. 6
553-0006-808	BLANK	BLANK	BLANK	GREEN	GREEN	ORANGE

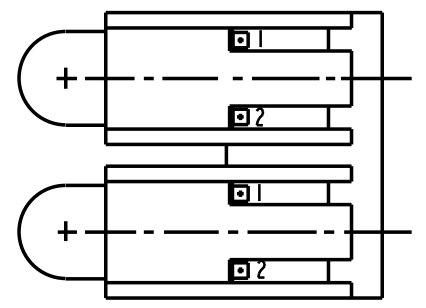
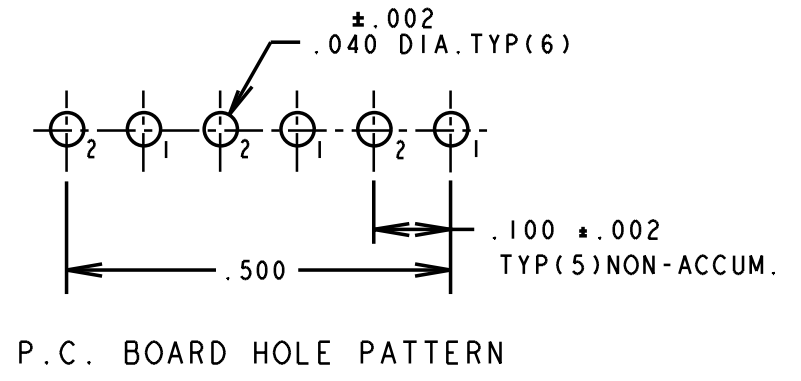
REV.	ECN NO.	REVISIONS	DRN.	CKD.	APP.	DATE
A	—	NEW RELEASE	DC		N.O.	1-16-95
B	—	GREEN PWR DISS. 100 WAS 135, FWD DC CURRENT 30 WAS 25, FWD VOLT TYP 2.1, MAX 2.8 WAS 2.3, 3.0, LUM. INT. 4.7 WAS 4.0; ADDED NOTE 3.	TC			

LED ELECTRO-OPTICAL CHARACTERISTICS

PARAMETER	GREEN	ORANGE	UNITS	TEST COND.	SPECS
POWER DISSIPATION	100	135	mW	N/A	ABSOLUTE MAXIMUM RATINGS AT T _A = 25°C
FORWARD DC CURRENT	30	25	mA		
OPERATING TEMPERATURE	-55° TO +100°	-55° TO +100°	°C		
STORAGE TEMPERATURE	-55° TO +100°		°C		
LEAD SOLDERING TEMP. (1/16" FROM CASE)	260° FOR 5 SEC.		°C		
FORWARD VOLTAGE	TYP	2.1*	2.2	* I _F = 20mA I _F = 10mA	OPERATING CHAR. AT T _A = 25°C
	MAX	2.8*	3.0		
REVERSE BREAKDOWN VOLTAGE	5 MIN.		V	I _R = 100μA	
PEAK WAVELENGTH	565	600	nm	MEAS. AT PEAK	
LUMINOUS INTENSITY	MIN	4.7	3.0	I _F = 10mA	



- NOTES:
- LEADS TO FIT INTO .040 DIA. HOLES SPACED AS PER PATTERN.
 - PIN NUMBERS FOR REFERENCE ONLY. DESIGNATION NON-EXISTENT ON PARTS.
 - DIALIGHT PART NUMBER: 553-0006-808.



THIS DRAWING AND THE CONTENTS HEREIN ARE CONFIDENTIAL AND THE SOLE PROPERTY OF DIALIGHT. REPRODUCTION OF THIS DRAWING OR CONSTRUCTION OF ANY PARTS WITHIN THIS DRAWING ARE FORBIDDEN WITHOUT THE WRITTEN CONSENT OF DIALIGHT.		
SCALE 4:1	DRAWING NUMBER	REV
ALL DIM'S IN: INCHES	C-15935	B
TOLERANCES: UNLESS OTHERWISE SPECIFIED	TITLE	
FRACTIONS: ±1/64	MATERIAL	
DECIMALS (.XX): ±.020	Dialight	
DECIMALS (.XXX): ±.015	1913 ATLANTIC AVE. MANASQUAN, N.J. 08736	
ANGLES: ±3°	SHEET OF FAMILY TABLE:	
FINISH:	FSCM 83330	