

RX210 Group

User's Manual: Hardware

RENESAS 32-Bit MCU
RX Family / RX200 Series

All information contained in these materials, including products and product specifications, represents information on the product at the time of publication and is subject to change by Renesas Electronics Corp. without notice. Please review the latest information published by Renesas Electronics Corp. through various means, including the Renesas Electronics Corp. website (<http://www.renesas.com>).

Notice

1. Descriptions of circuits, software and other related information in this document are provided only to illustrate the operation of semiconductor products and application examples. You are fully responsible for the incorporation of these circuits, software, and information in the design of your equipment. Renesas Electronics assumes no responsibility for any losses incurred by you or third parties arising from the use of these circuits, software, or information.
2. Renesas Electronics has used reasonable care in preparing the information included in this document, but Renesas Electronics does not warrant that such information is error free. Renesas Electronics assumes no liability whatsoever for any damages incurred by you resulting from errors in or omissions from the information included herein.
3. Renesas Electronics does not assume any liability for infringement of patents, copyrights, or other intellectual property rights of third parties by or arising from the use of Renesas Electronics products or technical information described in this document. No license, express, implied or otherwise, is granted hereby under any patents, copyrights or other intellectual property rights of Renesas Electronics or others.
4. You should not alter, modify, copy, or otherwise misappropriate any Renesas Electronics product, whether in whole or in part. Renesas Electronics assumes no responsibility for any losses incurred by you or third parties arising from such alteration, modification, copy or otherwise misappropriation of Renesas Electronics product.
5. Renesas Electronics products are classified according to the following two quality grades: "Standard" and "High Quality". The recommended applications for each Renesas Electronics product depends on the product's quality grade, as indicated below.
"Standard": Computers; office equipment; communications equipment; test and measurement equipment; audio and visual equipment; home electronic appliances; machine tools; personal electronic equipment; and industrial robots etc.
"High Quality": Transportation equipment (automobiles, trains, ships, etc.); traffic control systems; anti-disaster systems; anti-crime systems; and safety equipment etc.

Renesas Electronics products are neither intended nor authorized for use in products or systems that may pose a direct threat to human life or bodily injury (artificial life support devices or systems, surgical implantations etc.), or may cause serious property damages (nuclear reactor control systems, military equipment etc.). You must check the quality grade of each Renesas Electronics product before using it in a particular application. You may not use any Renesas Electronics product for any application for which it is not intended. Renesas Electronics shall not be in any way liable for any damages or losses incurred by you or third parties arising from the use of any Renesas Electronics product for which the product is not intended by Renesas Electronics.
6. You should use the Renesas Electronics products described in this document within the range specified by Renesas Electronics, especially with respect to the maximum rating, operating supply voltage range, movement power voltage range, heat radiation characteristics, installation and other product characteristics. Renesas Electronics shall have no liability for malfunctions or damages arising out of the use of Renesas Electronics products beyond such specified ranges.
7. Although Renesas Electronics endeavors to improve the quality and reliability of its products, semiconductor products have specific characteristics such as the occurrence of failure at a certain rate and malfunctions under certain use conditions. Further, Renesas Electronics products are not subject to radiation resistance design. Please be sure to implement safety measures to guard them against the possibility of physical injury, and injury or damage caused by fire in the event of the failure of a Renesas Electronics product, such as safety design for hardware and software including but not limited to redundancy, fire control and malfunction prevention, appropriate treatment for aging degradation or any other appropriate measures. Because the evaluation of microcomputer software alone is very difficult, please evaluate the safety of the final products or systems manufactured by you.
8. Please contact a Renesas Electronics sales office for details as to environmental matters such as the environmental compatibility of each Renesas Electronics product. Please use Renesas Electronics products in compliance with all applicable laws and regulations that regulate the inclusion or use of controlled substances, including without limitation, the EU RoHS Directive. Renesas Electronics assumes no liability for damages or losses occurring as a result of your noncompliance with applicable laws and regulations.
9. Renesas Electronics products and technology may not be used for or incorporated into any products or systems whose manufacture, use, or sale is prohibited under any applicable domestic or foreign laws or regulations. You should not use Renesas Electronics products or technology described in this document for any purpose relating to military applications or use by the military, including but not limited to the development of weapons of mass destruction. When exporting the Renesas Electronics products or technology described in this document, you should comply with the applicable export control laws and regulations and follow the procedures required by such laws and regulations.
10. It is the responsibility of the buyer or distributor of Renesas Electronics products, who distributes, disposes of, or otherwise places the product with a third party, to notify such third party in advance of the contents and conditions set forth in this document, Renesas Electronics assumes no responsibility for any losses incurred by you or third parties as a result of unauthorized use of Renesas Electronics products.
11. This document may not be reproduced or duplicated in any form, in whole or in part, without prior written consent of Renesas Electronics.
12. Please contact a Renesas Electronics sales office if you have any questions regarding the information contained in this document or Renesas Electronics products, or if you have any other inquiries.

(Note 1) "Renesas Electronics" as used in this document means Renesas Electronics Corporation and also includes its majority-owned subsidiaries.

(Note 2) "Renesas Electronics product(s)" means any product developed or manufactured by or for Renesas Electronics.

General Precautions in the Handling of MPU/MCU Products

The following usage notes are applicable to all MPU/MCU products from Renesas. For detailed usage notes on the products covered by this document, refer to the relevant sections of the document as well as any technical updates that have been issued for the products.

1. Handling of Unused Pins

Handle unused pins in accord with the directions given under Handling of Unused Pins in the manual.

- The input pins of CMOS products are generally in the high-impedance state. In operation with an unused pin in the open-circuit state, extra electromagnetic noise is induced in the vicinity of LSI, an associated shoot-through current flows internally, and malfunctions occur due to the false recognition of the pin state as an input signal become possible. Unused pins should be handled as described under Handling of Unused Pins in the manual.

2. Processing at Power-on

The state of the product is undefined at the moment when power is supplied.

- The states of internal circuits in the LSI are indeterminate and the states of register settings and pins are undefined at the moment when power is supplied.

In a finished product where the reset signal is applied to the external reset pin, the states of pins are not guaranteed from the moment when power is supplied until the reset process is completed. In a similar way, the states of pins in a product that is reset by an on-chip power-on reset function are not guaranteed from the moment when power is supplied until the power reaches the level at which resetting has been specified.

3. Prohibition of Access to Reserved Addresses

Access to reserved addresses is prohibited.

- The reserved addresses are provided for the possible future expansion of functions. Do not access these addresses; the correct operation of LSI is not guaranteed if they are accessed.

4. Clock Signals

After applying a reset, only release the reset line after the operating clock signal has become stable. When switching the clock signal during program execution, wait until the target clock signal has stabilized.

- When the clock signal is generated with an external resonator (or from an external oscillator) during a reset, ensure that the reset line is only released after full stabilization of the clock signal. Moreover, when switching to a clock signal produced with an external resonator (or by an external oscillator) while program execution is in progress, wait until the target clock signal is stable.

5. Differences between Products

Before changing from one product to another, i.e. to a product with a different part number, confirm that the change will not lead to problems.

- The characteristics of an MPU or MCU in the same group but having a different part number may differ in terms of the internal memory capacity, layout pattern, and other factors, which can affect the ranges of electrical characteristics, such as characteristic values, operating margins, immunity to noise, and amount of radiated noise. When changing to a product with a different part number, implement a system-evaluation test for the given product.

Specification Differences between Products

There are the following specification differences in the RX210 Group products, depending on chip versions, packages, and memory capacities.

Table1 Specification Differences Depending on Chip Versions

Chapter		Specification Differences		
		Chip version A	Chip version C	Chip version B
9.Clock Generation Circuit	9.2.2 System Clock Control Register 3 (SCKCR3)	The main clock oscillator cannot be selected as the clock source.	The main clock oscillator can be selected as the clock source.	← (Same as left)
	9.2.17 PLL Power Control Register (PLLPCR)	The PLLPCR register is not available. Thus, there is no function to turn off the power supply of the PLL to reduce power consumption.	← (Same as left)	The PLLPCR register is added. There is a function to turn off the power supply of the PLL to reduce power consumption when the PLL is not in use.
10.Clock Frequency Accuracy Measurement Circuit (CAC)	10.2.2 CAC Control Register 1 (CACR1)	The output clock of the main clock oscillator cannot be selected as the frequency measurement clock.	The output clock of the main clock oscillator can be selected as the frequency measurement clock.	← (Same as left)
	10.2.3 CAC Control Register 2 (CACR2)	The output clock of the main clock oscillator cannot be selected as the reference signal generation clock.	The output clock of the main clock oscillator can be selected as the reference signal generation clock.	← (Same as left)
11.Low Power Consumption	11.2.5 Operating Power Control Register (OPCCR)	Middle-speed operating modes 2A and 2B are not available.	← (Same as left)	Middle-speed operating modes 2A and 2B are added to reduce the amount of current drawn during operation.
	11.2.6 Sleep Mode Return Clock Source Switching Register (RSTCKCR)	The main clock oscillator cannot be selected as the clock source to be used for returning from sleep mode.	The main clock oscillator can be selected as the clock source to be used for returning from sleep mode.	← (Same as left)
	11.2.18 Flash HOCO Software Standby Control Register (FHSSBYCR)	It is necessary to control the power supply for the flash memory in software standby mode.	← (Same as left)	It is not necessary to control the power supply for the flash memory in software standby mode.
19.I/O Ports	Table 19.2 Port Functions (48 to 100 pins)	Port 17 is not 5 V tolerant.	Port 17 is 5 V tolerant.	← (Same as left)
42.Electrical Characteristics	42.2 DC Characteristics	Supply current characteristics are not improved.	Supply current characteristics are improved.	← (Same as left)
	42.10 ROM (Flash Memory for Code Storage) Characteristics	Flash characteristics P/E:1,000 times Data retention: 1,000 times/10 years	Flash characteristics P/E:10,000 times Data retention: 1,000 times/30 years, 10,000 times/1 year	← (Same as left)

Table2 Specification Differences Depending on Packages

Chapter		Specification Differences	
		48-pin package products	Products other than 48-pin package
9.Clock Generation Circuit	9.8.5 Notes on Sub-Clock	Although sub-clock oscillator pins are not available, the sub-clock circuit must be initialized at a cold start.	At a cold start, initialize the sub-clock control circuit regardless of whether the sub-clock is in use or not.

Table3 Specification Differences Depending on Packages and Memory Capacities

Chapter		Specification Differences		
		768-Kbyte/1-Mbyte flash memory and 100-pin packages	144/145-pin packages	Other than the left
19.I/O Ports	19.3.1 Port Direction Register (PDR)	Bits corresponding to port m on the 145 and 144-pin products but which do not exist on this product are reserved. Write 1 (output) to these bits.	—	Bits corresponding to port m on the 100-pin product but which do not exist on this product are reserved. Write 1 (output) to these bits.
26.Realtime Clock (RTCb)	26.3.2 Clock Setting Procedure	Set bit 7 in the RCR2 register to 0 before executing a RTC software reset.		Operation is not affected even when the left setting is not performed.
31.Serial Peripheral Interface (RSPI)	31.2.8 RSPI Bit Rate Register (SPBR)	Setting for transfer at 16.0 Mbps is available.		Setting for transfer at 16.0 Mbps is prohibited.

How to Use This Manual

1. Objective and Target Users

This manual was written to explain the hardware functions and electrical characteristics of this LSI to the target users, i.e. those who will be using this LSI in the design of application systems. Target users are expected to understand the fundamentals of electrical circuits, logic circuits, and microcomputers.

This manual is organized in the following items: an overview of the product, descriptions of the CPU, system control functions, and peripheral functions, electrical characteristics of the device, and usage notes.

When designing an application system that includes this LSI, take all points to note into account. Points to note are given in their contexts and at the final part of each section, and in the section giving usage notes.

The list of revisions is a summary of major points of revision or addition for earlier versions. It does not cover all revised items. For details on the revised points, see the actual locations in the manual.

The following documents have been prepared for the RX210 Group. Before using any of the documents, please visit our web site to verify that you have the most up-to-date available version of the document.

Document Type	Contents	Document Title	Document No.
Data Sheet	Overview of hardware and electrical characteristics	—	R01DS0041EJ
User's manual: Hardware	Hardware specifications (pin assignments, memory maps, peripheral specifications, electrical characteristics, and timing charts) and descriptions of operation	RX210 Group User's manual: Hardware	This User's manual
User's manual: Software	Detailed descriptions of the CPU and instruction set	RX Family Series User's manual: Software	R01US0032EJ
Application Note	Examples of applications and sample programs	—	—
Renesas Technical Update	Preliminary report on the specifications of a product, document, etc.	—	—

2. Description of Registers

Each register description includes a bit chart, illustrating the arrangement of bits, and a table of bits, describing the meanings of the bit settings. The standard format and notation for bit charts and tables are described below.

x.x.x ... Register

Address(es): xxxx xxxh

b7	b6	b5	b4	b3	b2	b1	b0
—	—	—	—	...

Value after reset: x 0 0 0 0 0 0 0

Bit	Symbol	Bit Name	Description	R/W
b0	...0	... Bit	0: 1: Setting prohibited ^{*3}	R/W ^{*1}
b3 to b1	—	Reserved ^{*2}	The read value is 0. The write value should always be 0.	R/W
b4	...4	... Bit	0: 1:	R
b6, b5	...[1:0]	... Bit	0 0: 0 1: Settings other than above are prohibited. ^{*3}	R/(W) [*]
b7	—	Reserved	The read value is undefined. Writing to this bit has no effect.	R

- (1) R/W: The bit or field is readable and writable.
 R/(W): The bit or field is readable and writable. However, writing to this bit or field has some limitations. For details on the limitations, see the description or notes of respective registers.
 R: The bit or field is readable. Writing to this bit or field has no effect.
- (2) Reserved.
 Use the specified value when writing to this bit or field; otherwise, the correct operation is not guaranteed.
- (3) Setting prohibited. The correct operation is not guaranteed if such a setting is performed.

3. List of Abbreviations and Acronyms

Abbreviation	Full Form
ACIA	Asynchronous Communications Interface Adapter
bps	bits per second
CRC	Cyclic Redundancy Check
DMA	Direct Memory Access
DMAC	Direct Memory Access Controller
GSM	Global System for Mobile Communications
Hi-Z	High Impedance
IEBus	Inter Equipment Bus
I/O	Input/Output
IrDA	Infrared Data Association
LSB	Least Significant Bit
MSB	Most Significant Bit
NC	Non-Connect
PLL	Phase Locked Loop
PWM	Pulse Width Modulation
SIM	Subscriber Identity Module
UART	Universal Asynchronous Receiver/Transmitter
VCO	Voltage Controlled Oscillator

Contents

Features	41
1. Overview	42
1.1 Outline of Specifications	42
1.2 List of Products	48
1.3 Block Diagram	53
1.4 Pin Functions	54
1.5 Pin Assignments	58
2. CPU	91
2.1 Features	91
2.2 Register Set of the CPU	92
2.2.1 General-Purpose Registers (R0 to R15)	93
2.2.2 Control Registers	93
2.2.2.1 Interrupt Stack Pointer (ISP)/User Stack Pointer (USP)	94
2.2.2.2 Interrupt Table Register (INTB)	94
2.2.2.3 Program Counter (PC)	94
2.2.2.4 Processor Status Word (PSW)	95
2.2.2.5 Backup PC (BPC)	96
2.2.2.6 Backup PSW (BPSW)	97
2.2.2.7 Fast Interrupt Vector Register (FINTV)	97
2.2.3 Register Associated with DSP Instructions	97
2.2.3.1 Accumulator (ACC)	97
2.3 Processor Mode	98
2.3.1 Supervisor Mode	98
2.3.2 User Mode	98
2.3.3 Privileged Instruction	98
2.3.4 Switching between Processor Modes	98
2.4 Data Types	99
2.5 Endian	99
2.5.1 Switching the Endian	99
2.5.2 Access to I/O Registers	102
2.5.3 Notes on Access to I/O Registers	103
2.5.4 Data Arrangement	104
2.5.4.1 Data Arrangement in Registers	104
2.5.4.2 Data Arrangement in Memory	104
2.5.5 Notes on the Allocation of Instruction Codes	104
2.6 Vector Table	105
2.6.1 Fixed Vector Table	105
2.6.2 Relocatable Vector Table	106
2.7 Operation of Instructions	107
2.7.1 Data Prefetching by the RMPA Instruction and the String-Manipulation Instructions	107
2.8 Pipeline	108

2.8.1	Overview	108
2.8.2	Instructions and Pipeline Processing	110
2.8.2.1	Instructions Converted into Single Micro-Operation and Pipeline Processing	110
2.8.2.2	Instructions Converted into Multiple Micro-Operations and Pipeline Processing	112
2.8.2.3	Pipeline Basic Operation	115
2.8.3	Calculation of the Instruction Processing Time	117
2.8.4	Numbers of Cycles for Response to Interrupts	118
3.	Operating Modes	119
3.1	Operating Mode Types and Selection	119
3.2	Register Descriptions	120
3.2.1	Mode Monitor Register (MDMONR)	120
3.2.2	Mode Status Register (MDSR)	120
3.2.3	System Control Register 0 (SYSCR0)	121
3.2.4	System Control Register 1 (SYSCR1)	122
3.3	Details of Operating Modes	123
3.3.1	Single-Chip Mode	123
3.3.2	On-Chip ROM Enabled Extended Mode	123
3.3.3	On-Chip ROM Disabled Extended Mode	123
3.3.4	Boot Mode	123
3.3.5	User Boot Mode	123
3.4	Transitions of Operating Modes	125
3.4.1	Operating Mode Transitions Determined by the Mode-Setting Pins	125
3.4.2	Operating Mode Transitions According to Register Setting	126
4.	Address Space	127
4.1	Address Space	127
4.2	External Address Space	129
5.	I/O Registers	130
5.1	I/O Register Addresses (Address Order)	132
6.	Resets	162
6.1	Overview	162
6.2	Register Descriptions	165
6.2.1	Reset Status Register 0 (RSTSR0)	165
6.2.2	Reset Status Register 1 (RSTSR1)	167
6.2.3	Reset Status Register 2 (RSTSR2)	168
6.2.4	Software Reset Register (SWRR)	169
6.3	Operation	170
6.3.1	RES# Pin Reset	170
6.3.2	Power-On Reset and Voltage Monitoring 0 Reset	170
6.3.3	Voltage Monitoring 1 Reset and Voltage Monitoring 2 Reset	171
6.3.4	Deep Software Standby Reset	173
6.3.5	Independent Watchdog Timer Reset	173

6.3.6	Watchdog Timer Reset	173
6.3.7	Software Reset	173
6.3.8	Determination of Cold/Warm Start	174
6.3.9	Determination of Reset Generation Source	175
7.	Option-Setting Memory	176
7.1	Overview	176
7.2	Register Descriptions	177
7.2.1	Option Function Select Register 0 (OFS0)	177
7.2.2	Option Function Select Register 1 (OFS1)	181
7.2.3	Endian Select Register B (MDEB), Endian Select Register S (MDES)	182
7.3	UB Code	183
7.3.1	UB code A	183
7.3.2	UB Code B	183
7.4	Usage Note	183
7.4.1	Setting Example of Option-Setting Memory	183
8.	Voltage Detection Circuit (LVDAa)	184
8.1	Overview	184
8.2	Register Descriptions	187
8.2.1	Voltage Monitoring 1 Circuit/Comparator A1 Control Register 1 (LVD1CR1)	187
8.2.2	Voltage Monitoring 1 Circuit/Comparator A1 Status Register (LVD1SR)	188
8.2.3	Voltage Monitoring 2 Circuit/Comparator A2 Control Register 1 (LVD2CR1)	189
8.2.4	Voltage Monitoring 2 Circuit/Comparator A2 Status Register (LVD2SR)	190
8.2.5	Voltage Monitoring Circuit/Comparator A Control Register (LVCMPCR)	191
8.2.6	Voltage Detection Level Select Register (LVDLVLR)	192
8.2.7	Voltage Monitoring 1 Circuit/Comparator A1 Control Register 0 (LVD1CR0)	193
8.2.8	Voltage Monitoring 2 Circuit/Comparator A2 Control Register 0 (LVD2CR0)	195
8.3	VCC Input Voltage Monitor	197
8.3.1	Monitoring Vdet0	197
8.3.2	Monitoring Vdet1	197
8.3.3	Monitoring Vdet2	197
8.4	Reset from Voltage Monitor 0	198
8.5	Interrupt and Reset from Voltage Monitoring 1	199
8.6	Interrupt and Reset from Voltage Monitoring 2	202
8.7	Event Link Output	205
8.7.1	Interrupt Handling and Event Linking	205
9.	Clock Generation Circuit	206
9.1	Overview	206
9.2	Register Descriptions	208
9.2.1	System Clock Control Register (SCKCR)	208
9.2.2	System Clock Control Register 3 (SCKCR3)	210
9.2.3	Voltage Regulator Control Register (VRCCR)	211

9.2.4	PLL Control Register (PLLCR)	212
9.2.5	PLL Control Register 2 (PLLCR2)	213
9.2.6	External Bus Clock Control Register (BCKCR)	214
9.2.7	Main Clock Oscillator Control Register (MOSCCR)	215
9.2.8	Sub-Clock Oscillator Control Register (SOSCCR)	216
9.2.9	Low-Speed On-Chip Oscillator Control Register (LOCOCR)	217
9.2.10	IWDT-Dedicated On-chip Oscillator Control Register (ILOCOCR)	218
9.2.11	High-Speed On-Chip Oscillator Control Register (HOCOCR)	219
9.2.12	High-Speed On-Chip Oscillator Control Register 2 (HOCOCR2)	220
9.2.13	Oscillation Stop Detection Control Register (OSTDCR)	221
9.2.14	Oscillation Stop Detection Status Register (OSTDSR)	222
9.2.15	Main Clock Oscillator Forced Oscillation Control Register (MOFCR)	223
9.2.16	High-Speed On-Chip Oscillator Power Supply Control Register (HOCOPCR)	224
9.2.17	PLL Power Control Register (PLLPCR)	225
9.3	Main Clock Oscillator	226
9.3.1	Connecting a Crystal Resonator	226
9.3.2	External Clock Input	227
9.3.3	Notes on the External Clock Input	227
9.4	Sub-Clock Oscillator	228
9.4.1	Connecting 32.768-kHz Crystal Resonator	228
9.4.2	Handling of Pins when Sub-Clock is not Used	229
9.5	Oscillation Stop Detection Function	230
9.5.1	Oscillation Stop Detection and Operation after Detection	230
9.5.2	Oscillation Stop Detection Interrupts	231
9.6	PLL Circuit	232
9.7	Internal Clock	232
9.7.1	System Clock	232
9.7.2	Peripheral Module Clock	232
9.7.3	FlashIF Clock	232
9.7.4	External Bus Clock	233
9.7.5	CAC Clock	233
9.7.6	RTC-Dedicated Clock	233
9.7.7	IWDT-Dedicated Clock	233
9.8	Usage Notes	234
9.8.1	Notes on Clock Generation Circuit	234
9.8.2	Notes on Resonator	234
9.8.3	Notes on Board Design	234
9.8.4	Notes on Resonator Connect Pin	235
9.8.5	Notes on Sub-Clock	235
10.	Clock Frequency Accuracy Measurement Circuit (CAC)	237
10.1	Overview	237

10.2	Register Descriptions	238
10.2.1	CAC Control Register 0 (CACR0)	238
10.2.2	CAC Control Register 1 (CACR1)	239
10.2.3	CAC Control Register 2 (CACR2)	240
10.2.4	CAC Interrupt Control Register (CAICR)	241
10.2.5	CAC Status Register (CASTR)	242
10.2.6	CAC Upper-Limit Value Setting Register (CAULVR)	243
10.2.7	CAC Lower-Limit Value Setting Register (CALLVR)	243
10.2.8	CAC Counter Buffer Register (CACNTBR)	243
10.3	Operation	244
10.3.1	Measuring Clock Frequency Based on CACREF Pin Input	244
10.3.2	Measuring Clock Frequency Based on Another Clock Source	245
10.3.3	Digital Filtering of Signals on the CACREF Pin	246
10.4	Interrupt Requests	247
10.5	Usage Notes	247
10.5.1	Module Stop Function Setting	247
11.	Low Power Consumption	248
11.1	Overview	248
11.2	Register Descriptions	251
11.2.1	Standby Control Register (SBYCR)	251
11.2.2	Module Stop Control Register A (MSTPCRA)	252
11.2.3	Module Stop Control Register B (MSTPCRB)	254
11.2.4	Module Stop Control Register C (MSTPCRC)	256
11.2.5	Operating Power Control Register (OPCCR)	257
11.2.6	Sleep Mode Return Clock Source Switching Register (RSTCKCR)	268
11.2.7	Main Clock Oscillator Wait Control Register (MOSCWTCR)	270
11.2.8	Sub-Clock Oscillator Wait Control Register (SOSCWTCR)	271
11.2.9	PLL Wait Control Register (PLLWTCR)	272
11.2.10	HOCO Wait Control Register 2 (HOCOWTCR2)	273
11.2.11	Deep Standby Control Register (DPSBYCR)	274
11.2.12	Deep Standby Interrupt Enable Register 0 (DPSIER0)	276
11.2.13	Deep Standby Interrupt Enable Register 2 (DPSIER2)	277
11.2.14	Deep Standby Interrupt Flag Register 0 (DPSIFR0)	278
11.2.15	Deep Standby Interrupt Flag Register 2 (DPSIFR2)	279
11.2.16	Deep Standby Interrupt Edge Register 0 (DPSIEGR0)	281
11.2.17	Deep Standby Interrupt Edge Register 2 (DPSIEGR2)	282
11.2.18	Flash HOCO Software Standby Control Register (FHSSBYCR)	283
11.2.19	Deep Standby Backup Register (DPSBKRY) (y = 0 to 31)	284
11.3	Reducing Power Consumption by Switching Clock Signals	285
11.4	Module Stop Function	285
11.5	Function for Lower Operating Power Consumption	286

11.5.1	Setting Operating Power Control Mode	286
11.6	Low Power Consumption Modes	287
11.6.1	Sleep Mode	287
11.6.1.1	Transition to Sleep Mode	287
11.6.1.2	Canceling Sleep Mode	287
11.6.1.3	Sleep Mode Return Clock Source Switching Function	288
11.6.2	All-Module Clock Stop Mode	289
11.6.2.1	Transition to All-Module Clock Stop Mode	289
11.6.2.2	Canceling All-Module Clock Stop Mode	290
11.6.3	Software Standby Mode	291
11.6.3.1	Transition to Software Standby Mode	291
11.6.3.2	Canceling Software Standby Mode	293
11.6.3.3	Example of Software Standby Mode Application	294
11.6.4	Deep Software Standby Mode	295
11.6.4.1	Transition to Deep Software Standby Mode	295
11.6.4.2	Canceling Deep Software Standby Mode	296
11.6.4.3	Pin States when Deep Software Standby Mode is Canceled	297
11.6.4.4	Example of Deep Software Standby Mode Application	298
11.6.4.5	Flowchart to Use Deep Software Standby Mode	299
11.7	Usage Notes	300
11.7.1	I/O Port States	300
11.7.2	Module Stop State of DMAC and DTC	300
11.7.3	On-Chip Peripheral Module Interrupts	300
11.7.4	Write Access to MSTPCRA, MSTPCRB, and MSTPCRC	300
11.7.5	Input Buffer Control by DIRQnE Bit (n = 0 to 7)	300
11.7.6	Timing of WAIT Instructions	300
11.7.7	Rewrite the Register by DMAC and DTC in Sleep Mode	300
11.7.8	Canceling All-Module Clock Stop Mode	300
11.7.9	Point for Caution when Using the Sub-Clock as the Source of the System Clock	300
12.	Register Write Protection Function	301
12.1	Register Descriptions	302
12.1.1	Protect Register (PRCR)	302
13.	Exception Handling	303
13.1	Exception Events	303
13.1.1	Undefined Instruction Exception	304
13.1.2	Privileged Instruction Exception	304
13.1.3	Reset	304
13.1.4	Non-Maskable Interrupt	304
13.1.5	Interrupt	304
13.1.6	Unconditional Trap	304
13.2	Exception Handling Procedure	305

13.3	Acceptance of Exception Events	307
13.3.1	Acceptance Timing and Saved PC Value	307
13.3.2	Vector and Site for Saving the Values in the PC and PSW	307
13.4	Hardware Processing for Accepting and Returning from Exceptions	308
13.5	Hardware Pre-Processing	309
13.5.1	Undefined Instruction Exception	309
13.5.2	Privileged Instruction Exception	309
13.5.3	Reset	309
13.5.4	Non-Maskable Interrupt	309
13.5.5	Interrupt	310
13.5.6	Unconditional Trap	310
13.6	Return from Exception Handling Routine	311
13.7	Priority of Exception Events	311
14.	Interrupt Controller (ICUb)	312
14.1	Overview	312
14.2	Register Descriptions	314
14.2.1	Interrupt Request Register n (IRn) (n = interrupt vector number)	314
14.2.2	Interrupt Request Enable Register m (IERm) (m = 02h to 1Fh)	316
14.2.3	Interrupt Source Priority Register n (IPRn) (n = 000 to 250)	317
14.2.4	Fast Interrupt Set Register (FIR)	318
14.2.5	Software Interrupt Activation Register (SWINTR)	319
14.2.6	DTC Activation Enable Register n (DTCERn) (n = interrupt vector number)	320
14.2.7	DMAC Activation Request Select Register m (DMRSRm) (m = DMAC channel number)	321
14.2.8	IRQ Control Register i (IRQCRi) (i = 0 to 7)	322
14.2.9	IRQ Pin Digital Filter Enable Register 0 (IRQFLTE0)	323
14.2.10	IRQ Pin Digital Filter Setting Register 0 (IRQFLTC0)	324
14.2.11	Non-Maskable Interrupt Status Register (NMISR)	325
14.2.12	Non-Maskable Interrupt Enable Register (NMIER)	327
14.2.13	Non-Maskable Interrupt Status Clear Register (NMICLR)	329
14.2.14	NMI Pin Interrupt Control Register (NMICR)	330
14.2.15	NMI Pin Digital Filter Enable Register (NMIFLTE)	331
14.2.16	NMI Pin Digital Filter Setting Register (NMIFLTC)	332
14.3	Vector Table	333
14.3.1	Interrupt Vector Table	333
14.3.2	Fast Interrupt Vector Table	339
14.3.3	Non-maskable Interrupt Vector Table	339
14.4	Interrupt Operation	340
14.4.1	Detecting Interrupts	340
14.4.1.1	Operation of Status Flags for Edge-Detected Interrupts	340
14.4.1.2	Operation of Status Flags for Level-Detected Interrupts	342

14.4.2	Enabling and Disabling Interrupt Sources	343
14.4.3	Selecting Interrupt Request Destinations	343
14.4.4	Determining Priority	346
14.4.5	Multiple Interrupts	346
14.4.6	Fast Interrupt	346
14.4.7	Digital Filter	347
14.4.8	External Pin Interrupts	347
14.5	Non-maskable Interrupt Operation	348
14.6	Return from Power-Down States	349
14.6.1	Return from Sleep Mode	349
14.6.2	Return from All-Module Clock Stop Mode	349
14.6.3	Return from Software Standby Mode	349
14.7	Usage Note	350
14.7.1	Note on WAIT Instruction Used with Non-Maskable Interrupt	350
15.	Buses	351
15.1	Overview	351
15.2	Description of Buses	353
15.2.1	CPU Buses	353
15.2.2	Memory Buses	353
15.2.3	Internal Main Buses	353
15.2.4	Internal Peripheral Buses	354
15.2.5	Write Buffer Function (Internal Peripheral Bus)	355
15.2.6	External Bus	356
15.2.7	Parallel Operation	358
15.2.8	Bus Settings	358
15.2.9	Restrictions	359
15.3	Register Descriptions	360
15.3.1	CSn Control Register (CSnCR) (n = 0 to 3)	360
15.3.2	CSn Recovery Cycle Register (CSnREC) (n = 0 to 3)	362
15.3.3	CS Recovery Cycle Insertion Enable Register (CSRECEN)	364
15.3.4	CSn Mode Register (CSnMOD) (n = 0 to 3)	367
15.3.5	CSn Wait Control Register 1 (CSnWCR1) (n = 0 to 3)	369
15.3.6	CSn Wait Control Register 2 (CSnWCR2) (n = 0 to 3)	372
15.3.7	Bus Error Status Clear Register (BERCLR)	375
15.3.8	Bus Error Monitoring Enable Register (BEREN)	375
15.3.9	Bus Error Status Register 1 (BERSR1)	376
15.3.10	Bus Error Status Register 2 (BERSR2)	376
15.3.11	Bus Priority Control Register (BUSPRI)	377
15.4	Endian and Data Alignment	379
15.4.1	Data Alignment Control for CS Area	379
15.5	Operation of CS Area Controller	384

15.5.1	Separate Bus	384
15.5.2	Address/Data Multiplexed Bus	395
15.5.3	External Wait Function	398
15.5.4	Insertion of Recovery Cycles	400
15.5.5	No Access State	404
15.5.6	Write Buffer Function (External Bus)	404
15.6	Limitations	405
15.6.1	Limitations on Using Separate Bus Interface	405
15.6.2	Limitations on Using Address/Data Multiplexed Bus Interface	405
15.6.3	Limitation when a Pin is Multiplexed between A0 and BC0# Functions	405
15.6.4	Limitations when 1/2 BCLK is Selected with BCLK Pin Output Select Bit	406
15.6.5	Prohibition of Access that Spans Areas of Address Space	406
15.6.6	Restrictions on RMPA and String-Manipulation Instructions	406
15.6.7	Restriction on Instruction Code	406
15.7	Bus Error Monitoring Section	407
15.7.1	Types of Bus Error	407
15.7.1.1	Illegal Address Access	407
15.7.1.2	Timeout	407
15.7.2	Operations When a Bus Error Occurs	407
15.7.3	Conditions Leading to Bus Errors	408
16.	DMA Controller (DMACA)	409
16.1	Overview	409
16.2	Register Descriptions	411
16.2.1	DMA Source Address Register (DMSAR)	411
16.2.2	DMA Destination Address Register (DMDAR)	411
16.2.3	DMA Transfer Count Register (DMCRA)	412
16.2.4	DMA Block Transfer Count Register (DMCRB)	414
16.2.5	DMA Transfer Mode Register (DMTMD)	415
16.2.6	DMA Interrupt Setting Register (DMINT)	416
16.2.7	DMA Address Mode Register (DMAMD)	418
16.2.8	DMA Offset Register (DMOFR)	421
16.2.9	DMA Transfer Enable Register (DMCNT)	422
16.2.10	DMA Software Start Register (DMREQ)	423
16.2.11	DMA Status Register (DMSTS)	424
16.2.12	DMA Activation Source Flag Control Register (DMCSL)	426
16.2.13	DMA Module Activation Register (DMAST)	427
16.3	Operation	428
16.3.1	Transfer Mode	428
16.3.2	Extended Repeat Area Function	432
16.3.3	Address Update Function Using Offset	434
16.3.4	Activation Sources	438

16.3.5	Operation Timing	439
16.3.6	DMAC Execution Cycles	440
16.3.7	Activating the DMAC	441
16.3.8	Starting DMA Transfer	442
16.3.9	Registers during DMA Transfer	442
16.3.10	Channel Priority	443
16.4	Ending DMA Transfer	444
16.4.1	Transfer End by Completion of Specified Total Number of Transfer Operations	444
16.4.2	Transfer End by Repeat Size End Interrupt	444
16.4.3	Transfer End by Interrupt on Extended Repeat Area Overflow	445
16.5	Interrupts	446
16.6	Event Link Function	447
16.7	Low Power Consumption Function	448
16.8	Usage Notes	449
16.8.1	DMA Transfer to External Devices	449
16.8.2	DMA Transfer to Peripheral Modules	449
16.8.3	Access to the Registers during DMA Transfer	449
16.8.4	DMA Transfer to Reserved Areas	449
16.8.5	Interrupt Request by the DMA Activation Source Flag Control Register (DMCSL) at the End of each Transfer	449
16.8.6	Setting of DMAC Activation Source Select Register of the Interrupt Controller (ICU.DMRSRm)	449
16.8.7	Suspending or Restarting DMA Activation	449
17.	Data Transfer Controller (DTCa)	450
17.1	Overview	450
17.2	Register Descriptions	452
17.2.1	DTC Mode Register A (MRA)	452
17.2.2	DTC Mode Register B (MRB)	453
17.2.3	DTC Transfer Source Register (SAR)	455
17.2.4	DTC Transfer Destination Register (DAR)	455
17.2.5	DTC Transfer Count Register A (CRA)	456
17.2.6	DTC Transfer Count Register B (CRB)	457
17.2.7	DTC Control Register (DTCCR)	457
17.2.8	DTC Vector Base Register (DTCVBR)	458
17.2.9	DTC Address Mode Register (DTCADM0D)	458
17.2.10	DTC Module Start Register (DTCST)	459
17.2.11	DTC Status Register (DTCSTS)	460
17.3	Sources of Activation	461
17.3.1	Allocating Transfer Data and DTC Vector Table	461
17.4	Operation	463
17.4.1	Transfer Data Read Skip Function	466

17.4.2	Transfer Data Write-Back Skip Function	466
17.4.3	Normal Transfer Mode	467
17.4.4	Repeat Transfer Mode	468
17.4.5	Block Transfer Mode	470
17.4.6	Chain Transfer	471
17.4.7	Operation Timing	472
17.4.8	Execution Cycles of the DTC	475
17.4.9	DTC Bus Mastership Release Timing	475
17.5	DTC Setting Procedure	476
17.6	Examples of DTC Usage	477
17.6.1	Normal Transfer	477
17.6.2	Chain Transfer when Counter = 0	478
17.7	Interrupt Source	479
17.8	Event Link Function	479
17.9	Low Power Consumption Function	480
17.10	Usage Notes	481
17.10.1	Transfer Data Start Address	481
17.10.2	Allocating Transfer Data	481
17.10.3	Setting the DTC Activation Enable Register (ICU.DTCERn) of the Interrupt Controller	482
18.	Event Link Controller (ELC)	483
18.1	Overview	483
18.2	Register Descriptions	484
18.2.1	Event Link Control Register (ELCR)	484
18.2.2	Event Link Setting Register n (ELSRn) (n = 1 to 4, 7, 10, 12, 15, 16, 18 to 29)	485
18.2.3	Event Link Option Setting Register A (ELOPA)	487
18.2.4	Event Link Option Setting Register B (ELOPB)	488
18.2.5	Event Link Option Setting Register C (ELOPC)	488
18.2.6	Event Link Option Setting Register D (ELOPD)	489
18.2.7	Port Group Setting Register n (PGRn) (n = 1, 2)	489
18.2.8	Port Group Control Register n (PGCn) (n = 1, 2)	490
18.2.9	Port Buffer Register n (PDBFn) (n = 1, 2)	491
18.2.10	Event Link Port Setting Register n (PELn) (n = 0 to 3)	492
18.2.11	Event Link Software Event Generation Register (ELSEGR)	493
18.3	Operation	494
18.3.1	Relation between Interrupt Processing and Event Linking	494
18.3.2	Event Linkage	495
18.3.3	Operation of Peripheral Timer Modules When Event is Input	496
18.3.4	Operation of A/D and D/A Converters when Event is Input	496
18.3.5	Port Operation upon Event Input and Event Generation	496
18.3.6	Procedure for Linking Events	500
18.4	Usage Notes	501

18.4.1	Setting the ELSR18 and ELSR19 Registers	501
18.4.2	Setting the Bit-Rotating Operation of the Output Port Groups	501
18.4.3	Linking DMAC/DTC Transfer End Signals as Events	501
18.4.4	Setting Clocks	501
18.4.5	Module Stop Function Setting	501
19.	I/O Ports	502
19.1	Overview	502
19.2	I/O Port Configuration	505
19.3	Register Descriptions	512
19.3.1	Port Direction Register (PDR)	512
19.3.2	Port Output Data Register (PODR)	513
19.3.3	Port Input Data Register (PIDR)	514
19.3.4	Port Mode Register (PMR)	515
19.3.5	Open Drain Control Register 0 (ODR0)	516
19.3.6	Open Drain Control Register 1 (ODR1)	517
19.3.7	Pull-Up Control Register (PCR)	518
19.3.8	Drive Capacity Control Register (DSCR)	519
19.4	Unused Pin Configuration	520
20.	Multi-Function Pin Controller (MPC)	521
20.1	Overview	521
20.2	Register Descriptions	532
20.2.1	Write-Protect Register (PWPR)	532
20.2.2	P0n Pin Function Control Register (P0nPFS) (n = 0 to 3, 5, 7)	533
20.2.3	P1n Pin Function Control Registers (P1nPFS) (n = 2 to 7)	534
20.2.4	P2n Pin Function Control Register (P2nPFS) (n = 0 to 7)	537
20.2.5	P3n Pin Function Control Registers (P3nPFS) (n = 0 to 4)	539
20.2.6	P4n Pin Function Control Registers (P4nPFS) (n = 0 to 7)	542
20.2.7	P5n Pin Function Control Registers (P5nPFS) (n = 0 to 2, 4 to 6)	543
20.2.8	P6n Pin Function Control Registers (P6nPFS) (n = 0, 1)	544
20.2.9	P7n Pin Function Control Registers (P7nPFS) (n = 0, 4 to 7)	545
20.2.10	P8n Pin Function Control Registers (P8nPFS) (n = 0 to 3, 6, 7)	546
20.2.11	P9n Pin Function Control Registers (P9nPFS) (n = 0 to 3)	547
20.2.12	PAn Pin Function Control Registers (PAnPFS) (n = 0 to 7)	548
20.2.13	PBn Pin Function Control Registers (PBnPFS) (n = 0 to 7)	551
20.2.14	PCn Pin Function Control Registers (PCnPFS) (n = 0 to 7)	553
20.2.15	PDn Pin Function Control Registers (PDnPFS) (n = 0 to 7)	555
20.2.16	PEn Pin Function Control Registers (PEnPFS) (n = 0 to 7)	556
20.2.17	PF5 Pin Function Control Registers (PF5PFS)	558
20.2.18	PHn Pin Function Control Registers (PHnPFS) (n = 0 to 3)	558
20.2.19	PJn Pin Function Control Registers (PJnPFS) (n = 1, 3)	559
20.2.20	PKn Pin Function Control Registers (PKnPFS) (n = 2 to 5)	560

20.2.21	CS Output Enable Register (PFCSE)	561
20.2.22	Address Output Enable Register 0 (PFAOE0)	562
20.2.23	Address Output Enable Register 1 (PFAOE1)	563
20.2.24	External Bus Control Register 0 (PFBCR0)	564
20.2.25	External Bus Control Register 1 (PFBCR1)	565
20.3	Settings for the External Bus Interface	566
20.4	Usage Notes	568
20.4.1	Procedure for Specifying Input/Output Pin Function	568
20.4.2	Notes on MPC Register Setting	568
20.4.3	Note on Using Analog Functions	569
21.	Multi-Function Timer Pulse Unit 2 (MTU2a)	570
21.1	Overview	570
21.2	Register Descriptions	576
21.2.1	Timer Control Register (TCR)	576
21.2.2	Timer Mode Register (TMDR)	579
21.2.3	Timer I/O Control Register (TIOR)	582
21.2.4	Timer Compare Match Clear Register (TCNTCMPCLR)	593
21.2.5	Timer Interrupt Enable Register (TIER)	594
21.2.6	Timer Status Register (TSR)	597
21.2.7	Timer Buffer Operation Transfer Mode Register (TBTM)	598
21.2.8	Timer Input Capture Control Register (TICCR)	599
21.2.9	Timer A/D Converter Start Request Control Register (TADCR)	600
21.2.10	Timer A/D Converter Start Request Cycle Set Registers A and B (TADCORA and TADCORB)	601
21.2.11	Timer A/D Converter Start Request Cycle Set Buffer Registers A and B (TADCOBRA and TADCOBRB)	601
21.2.12	Timer Counter (TCNT)	602
21.2.13	Timer General Register (TGR)	602
21.2.14	Timer Start Registers (TSTR)	603
21.2.15	Timer Synchronous Registers (TSYR)	605
21.2.16	Timer Read/Write Enable Registers (TRWER)	606
21.2.17	Timer Output Master Enable Registers (TOER)	607
21.2.18	Timer Output Control Registers 1 (TOCR1)	608
21.2.19	Timer Output Control Registers 2 (TOCR2)	610
21.2.20	Timer Output Level Buffer Registers (TOLBR)	613
21.2.21	Timer Gate Control Registers (TGCR)	614
21.2.22	Timer Subcounters (TCNTS)	615
21.2.23	Timer Dead Time Data Registers (TDDR)	615
21.2.24	Timer Cycle Data Registers (TCDR)	616
21.2.25	Timer Cycle Buffer Registers (TCBR)	616
21.2.26	Timer Interrupt Skipping Set Registers (TITCR)	617

21.2.27	Timer Interrupt Skipping Counters (TITCNT)	619
21.2.28	Timer Buffer Transfer Set Registers (TBTER)	620
21.2.29	Timer Dead Time Enable Registers (TDER)	621
21.2.30	Timer Waveform Control Registers (TWCR)	622
21.2.31	Noise Filter Control Registers (NFCR)	623
21.2.32	Bus Master Interface	626
21.3	Operation	627
21.3.1	Basic Functions	627
21.3.2	Synchronous Operation	633
21.3.3	Buffer Operation	635
21.3.4	Cascaded Operation	640
21.3.5	PWM Modes	645
21.3.6	Phase Counting Mode	649
21.3.7	Reset-Synchronized PWM Mode	655
21.3.8	Complementary PWM Mode	658
21.3.9	A/D Converter Start Request Delaying Function	691
21.3.10	External Pulse Width Measurement	694
21.3.11	Dead Time Compensation	695
21.3.12	Noise Filter	697
21.4	Interrupt Sources	698
21.4.1	Interrupt Sources and Priorities	698
21.4.2	DTC and DMAC Activation	700
21.4.3	A/D Converter Activation	700
21.5	Operation Timing	702
21.5.1	Input/Output Timing	702
21.5.2	Interrupt Signal Timing	708
21.6	Usage Notes	711
21.6.1	Module Clock Stop Mode Setting	711
21.6.2	Input Clock Restrictions	711
21.6.3	Note on Cycle Setting	712
21.6.4	Contention between TCNT Write and Clear Operations	712
21.6.5	Contention between TCNT Write and Increment Operations	713
21.6.6	Contention between TGR Write Operation and Compare Match	713
21.6.7	Contention between Buffer Register Write Operation and Compare Match	714
21.6.8	Contention between Buffer Register Write and TCNT Clear Operations	714
21.6.9	Contention between TGR Read Operation and Input Capture	715
21.6.10	Contention between TGR Write Operation and Input Capture	716
21.6.11	Contention between Buffer Register Write Operation and Input Capture	717
21.6.12	Contention between MTU2.TCNT Write Operation and Overflow/Underflow in Cascaded Operation	718
21.6.13	Counter Value when Stopped in Complementary PWM Mode	719

21.6.14	Buffer Operation Setting in Complementary PWM Mode	719
21.6.15	Buffer Operation and Compare Match Flags in Reset-Synchronized PWM Mode	720
21.6.16	Overflow Flags in Reset-Synchronized PWM Mode	721
21.6.17	Contention between Overflow/Underflow and Counter Clearing	722
21.6.18	Contention between TCNT Write Operation and Overflow/Underflow	723
21.6.19	Note on Transition from Normal Mode or PWM Mode 1 to Reset-Synchronized PWM Mode	723
21.6.20	Output Level in Complementary PWM Mode or Reset-Synchronized PWM Mode	723
21.6.21	Interrupts During Periods in the Module-Stop State	723
21.6.22	Simultaneous Input Capture in MTU1.TCNT and MTU2.TCNT in Cascade Connection	724
21.6.23	Notes when Complementary PWM Mode Output Protection Functions are not Used	724
21.6.24	Point for Caution Regarding MTU5.TCNT and MTU5.TGR Registers	724
21.6.25	Points for Caution to Prevent Malfunctions in Synchronous Clearing for Complementary PWM Mode	725
21.6.26	Continuous Output of Interrupt Signal in Response to a Compare Match	727
21.7	MTU Output Pin Initialization	728
21.7.1	Operating Modes	728
21.7.2	Operation in Case of Re-Setting Due to Error during Operation	728
21.7.3	Overview of Pin Initialization Procedures and Mode Transitions in Case of Error during Operation	729
21.8	Link Operation by ELC	756
21.8.1	Event Signal Output to ELC	756
21.8.2	MTU Operation by Event Signal Reception from ELC	756
21.8.3	Usage Notes on MTU by Event Signal Reception from ELC	757
22.	Port Output Enable 2 (POE2a)	758
22.1	Overview	758
22.2	Register Descriptions	761
22.2.1	Input Level Control/Status Register 1 (ICSR1)	761
22.2.2	Output Level Control/Status Register 1 (OCSR1)	763
22.2.3	Input Level Control/Status Register 2 (ICSR2)	764
22.2.4	Software Port Output Enable Register (SPOER)	765
22.2.5	Port Output Enable Control Register 1 (POECCR1)	766
22.2.6	Port Output Enable Control Register 2 (POECCR2)	767
22.2.7	Input Level Control/Status Register 3 (ICSR3)	768
22.3	Operation	769
22.3.1	Input Level Detection Operation	771
22.3.2	Output-Level Compare Operation	772
22.3.3	High-Impedance Control Using Registers	773
22.3.4	High-Impedance Control on Detection of Stopped Oscillation	773
22.3.5	When Event Signals Received from the ELC Control the High-Impedance	773
22.3.6	Release from the High-Impedance	773
22.4	Interrupts	774

22.5	Usage Notes	774
22.5.1	Transitions to Software Standby Mode or Deep Standby Mode	774
22.5.2	When POE is not Used	774
22.5.3	Specifying Pins Corresponding to the MTU	774
22.5.4	Point for Caution When Event Signals Received from the ELC Control the High-Impedance	774
23.	16-Bit Timer Pulse Unit (TPUa)	775
23.1	Overview	775
23.2	Register Descriptions	779
23.2.1	Timer Control Register (TCR)	779
23.2.2	Timer Mode Register (TMDR)	783
23.2.3	Timer I/O Control Register (TIORH, TIORL, TIOR)	784
23.2.4	Timer Interrupt Enable Register (TIER)	794
23.2.5	Timer Status Register (TSR)	795
23.2.6	Timer Counter (TCNT)	797
23.2.7	Timer General Register A (TGRA) Timer General Register B (TGRB) Timer General Register C (TGRC) Timer General Register D (TGRD)	798
23.2.8	Timer Start Register (TSTR)	799
23.2.9	Timer Synchronous Register (TSYR)	800
23.2.10	Noise Filter Control Register (NFCR)	801
23.3	Operation	803
23.3.1	Basic Functions	803
23.3.2	Synchronous Operation	808
23.3.3	Buffer Operation	810
23.3.4	Cascaded Operation	813
23.3.5	PWM Modes	815
23.3.6	Phase Counting Mode	820
23.3.6.1	Phase Counting Mode Application Example	825
23.3.7	Noise Filters	826
23.4	Interrupt Sources	827
23.5	DTC Activation	828
23.6	DMAC Activation	828
23.7	A/D Converter Activation	828
23.8	Operation Timing	829
23.8.1	Input/Output Timing	829
23.8.2	Interrupt Signal Timing	833
23.9	Usage Notes	835
23.9.1	Module Stop Function Setting	835
23.9.2	Input Clock Restrictions	835
23.9.3	Caution on Cycle Setting	836

23.9.4	Conflict between TPUm.TCNT Write and Clear Operations	836
23.9.5	Conflict between TPUm.TCNT Write and Increment Operations	836
23.9.6	Conflict between TPUm.TGRy Write and Compare Match	837
23.9.7	Conflict between Buffer Register Write and Compare Match	837
23.9.8	Conflict between TPUm.TGRy Read and Input Capture	838
23.9.9	Conflict between TPUm.TGRy Write and Input Capture	838
23.9.10	Conflict between Buffer Register Write and Input Capture	839
23.9.11	Conflict between Overflow/Underflow and Counter Clearing	839
23.9.12	Conflict between TPUm.TCNT Write and Overflow/Underflow	840
23.9.13	Multiplexing of I/O Pins	840
23.9.14	Continuous Output of Compare-Match Pulse Interrupt Signal	840
23.9.15	Continuous Output of Input-Capture Pulse Interrupt Signal	841
23.9.16	Continuous Output of Underflow Pulse Interrupt Signal	842
24.	8-Bit Timer (TMR)	843
24.1	Overview	843
24.2	Register Descriptions	848
24.2.1	Timer Counter (TCNT)	848
24.2.2	Time Constant Register A (TCORA)	849
24.2.3	Time Constant Register B (TCORB)	849
24.2.4	Timer Control Register (TCR)	850
24.2.5	Timer Counter Control Register (TCCR)	851
24.2.6	Timer Control/Status Register (TCSR)	853
24.2.7	Time Count Start Register (TCSTR)	855
24.3	Operation	856
24.3.1	Pulse Output	856
24.3.2	Reset Input	857
24.4	Operation Timing	858
24.4.1	TCNT Count Timing	858
24.4.2	Timing of Interrupt Signal Output on a Compare Match	859
24.4.3	Timing of Timer Output at Compare Match	860
24.4.4	Timing of Counter Clear by Compare Match	860
24.4.5	Timing of the External Reset for TCNT	861
24.4.6	Timing of Interrupt Signal Output on an Overflow	862
24.5	Operation with Cascaded Connection	863
24.5.1	16-Bit Count Mode	863
24.5.2	Compare Match Count Mode	863
24.6	Interrupt Sources	864
24.6.1	Interrupt Sources and DTC Activation	864
24.7	Link Operation by ELC	865
24.7.1	Event Signal Output to ELC	865
24.7.2	TMR Operation when Receiving an Event Signal from ELC	865

24.7.3	Notes on Operating TMR According to an Event Signal from ELC	865
24.8	Usage Notes	867
24.8.1	Module Stop State Setting	867
24.8.2	Notes on Setting Cycle	867
24.8.3	Conflict between TCNT Write and Counter Clear	867
24.8.4	Conflict between TCNT Write and Increment	868
24.8.5	Conflict between TCORA or TCORB Write and Compare Match	869
24.8.6	Conflict between Compare Matches A and B	869
24.8.7	Switching of Frequency Dividing Clocks and TCNT Operation	870
24.8.8	Clock Source Setting with Cascaded Connection	871
24.8.9	Continuous Output of Compare Match Interrupt Signal	872
25.	Compare Match Timer (CMT)	873
25.1	Overview	873
25.2	Register Descriptions	874
25.2.1	Compare Match Timer Start Register 0 (CMSTR0)	874
25.2.2	Compare Match Timer Start Register 1 (CMSTR1)	874
25.2.3	Compare Match Timer Control Register (CMCR)	875
25.2.4	Compare Match Counter (CMCNT)	876
25.2.5	Compare Match Constant Register (CMCOR)	876
25.3	Operation	877
25.3.1	Periodic Count Operation	877
25.3.2	CMCNT Count Timing	877
25.4	Interrupts	878
25.4.1	Interrupt Sources	878
25.4.2	Timing of Compare Match Interrupt Generation	878
25.5	Link Operations by ELC	879
25.5.1	Event Signal Output to ELC	879
25.5.2	CMT Operation when Receiving an Event Signal from ELC	879
25.5.3	Notes on Operating CMT According to an Event Signal from ELC	879
25.6	Usage Notes	880
25.6.1	Setting the Module Stop Function	880
25.6.2	Conflict between Write and Compare-Match Processes of CMCNT	880
25.6.3	Conflict between Write and Count-Up Processes of CMCNT	880
26.	Realtime Clock (RTCb)	881
26.1	Overview	881
26.2	Register Descriptions	883
26.2.1	64-Hz Counter (R64CNT)	883
26.2.2	Second Counter (RSECCNT)	884
26.2.3	Minute Counter (RMINCNT)	884
26.2.4	Hour Counter (RHRCNT)	885
26.2.5	Day-of-Week Counter (RWKCNT)	886

26.2.6	Date Counter (RDAYCNT)	887
26.2.7	Month Counter (RMONCNT)	888
26.2.8	Year Counter (RYRCNT)	888
26.2.9	Second Alarm Register (RSECAR)	889
26.2.10	Minute Alarm Register (RMINAR)	890
26.2.11	Hour Alarm Register (RHRAR)	891
26.2.12	Day-of-Week Alarm Register (RWKAR)	892
26.2.13	Date Alarm Register (RDAYAR)	893
26.2.14	Month Alarm Register (RMONAR)	894
26.2.15	Year Alarm Register (RYRAR)	894
26.2.16	Year Alarm Enable Register (RYRAREN)	895
26.2.17	RTC Control Register 1 (RCR1)	896
26.2.18	RTC Control Register 2 (RCR2)	897
26.2.19	RTC Control Register 3 (RCR3)	899
26.2.20	Time Error Adjustment Register (RADJ)	900
26.2.21	Time Capture Control Register y (RTCCPy) (y = 0 to 2)	901
26.2.22	Second Capture Register y (RSECCPy) (y = 0 to 2)	903
26.2.23	Minute Capture Register y (RMINCPy) (y = 0 to 2)	904
26.2.24	Hour Capture Register y (RHRCPy) (y = 0 to 2)	904
26.2.25	Date Capture Register y (RDAYCPy) (y = 0 to 2)	905
26.2.26	Month Capture Register y (RMONCPy) (y = 0 to 2)	906
26.3	Operation	907
26.3.1	Outline of Initial Settings of Registers after Power-On	907
26.3.2	Clock Setting Procedure	908
26.3.3	Setting the Time	909
26.3.4	30-Second Adjustment	909
26.3.5	Reading 64-Hz Counter and Time	910
26.3.6	Alarm Function	911
26.3.7	Procedure for Disabling Alarm Interrupt	912
26.3.8	Time Error Adjustment Function	912
26.3.8.1	Automatic Adjustment	912
26.3.8.2	Adjustment by Software	913
26.3.8.3	Procedure for Changing the Mode of Adjustment	914
26.3.8.4	Procedure for Stopping Adjustment	914
26.3.8.5	Capturing the Time	915
26.4	Interrupt Sources	916
26.5	Event Link Output	918
26.5.1	Interrupt Handling and Event Linking	918
26.6	Usage Notes	919
26.6.1	Register Writing during Counting	919
26.6.2	Use of Periodic Interrupts	919

26.6.3	RTCOUT (1-Hz) Clock Output	919
26.6.4	Transitions to Low Power Consumption Modes after Setting Registers	920
26.6.5	Points for Caution when Writing to and Reading from Registers	920
27.	Watchdog Timer (WDTA)	921
27.1	Overview	921
27.2	Register Descriptions	923
27.2.1	WDT Refresh Register (WDTRR)	923
27.2.2	WDT Control Register (WDTCR)	924
27.2.3	WDT Status Register (WDTSR)	927
27.2.4	WDT Reset Control Register (WDTRCR)	928
27.2.5	Option Function Select Register 0 (OFS0)	928
27.3	Operation	929
27.3.1	Count Operation in Each Start Mode	929
27.3.1.1	Register Start Mode	929
27.3.1.2	Auto-Start Mode	931
27.3.2	Control over Writing to the WDTCR and WDTRCR Registers	933
27.3.3	Refresh Operation	934
27.3.4	Status Flags	935
27.3.5	Reset Output	935
27.3.6	Interrupt Source	936
27.3.7	Reading the Down-Counter Value	936
27.3.8	Correspondence between Option Function Select Register 0 (OFS0) and WDT Registers	937
28.	Independent Watchdog Timer (IWDTa)	938
28.1	Overview	938
28.2	Register Descriptions	941
28.2.1	IWDT Refresh Register (IWDTRR)	941
28.2.2	IWDT Control Register (IWDTCR)	942
28.2.3	IWDT Status Register (IWDTSR)	945
28.2.4	IWDT Reset Control Register (IWDTRCR)	946
28.2.5	IWDT Count Stop Control Register (IWDTCSTPR)	947
28.2.6	Option Function Select Register 0 (OFS0)	947
28.3	Operation	948
28.3.1	Count Operation in Each Start Mode	948
28.3.1.1	Register Start Mode	948
28.3.1.2	Auto-Start Mode	950
28.3.2	Control over Writing to the IWDTCR, IWDTRCR, and IWDTCSTPR Registers	952
28.3.3	Refresh Operation	953
28.3.4	Status Flags	954
28.3.5	Reset Output	954
28.3.6	Interrupt Source	955
28.3.7	Reading the Down-Counter Value	955

28.3.8	Correspondence between Option Function Select Register 0 (OFS0) and IWDT Registers ...	956
28.4	Link Operation by ELC	956
28.5	Usage Notes	956
28.5.1	Refresh Operations	956
29.	Serial Communications Interface (SClC, SCId)	957
29.1	Overview	957
29.2	Register Descriptions	967
29.2.1	Receive Shift Register (RSR)	967
29.2.2	Receive Data Register (RDR)	967
29.2.3	Transmit Data Register (TDR)	967
29.2.4	Transmit Shift Register (TSR)	968
29.2.5	Serial Mode Register (SMR)	968
29.2.6	Serial Control Register (SCR)	972
29.2.7	Serial Status Register (SSR)	977
29.2.8	Smart Card Mode Register (SCMR)	981
29.2.9	Bit Rate Register (BRR)	982
29.2.10	Serial Extended Mode Register (SEMR)	989
29.2.11	Noise Filter Setting Register (SNFR)	991
29.2.12	I ² C Mode Register 1 (SIMR1)	992
29.2.13	I ² C Mode Register 2 (SIMR2)	993
29.2.14	I ² C Mode Register 3 (SIMR3)	994
29.2.15	I ² C Status Register (SISR)	996
29.2.16	SPI Mode Register (SPMR)	997
29.2.17	Extended Serial Module Enable Register (ESMER)	998
29.2.18	Control Register 0 (CR0)	999
29.2.19	Control Register 1 (CR1)	1000
29.2.20	Control Register 2 (CR2)	1001
29.2.21	Control Register 3 (CR3)	1002
29.2.22	Port Control Register (PCR)	1002
29.2.23	Interrupt Control Register (ICR)	1003
29.2.24	Status Register (STR)	1004
29.2.25	Status Clear Register (STCR)	1005
29.2.26	Control Field 0 Data Register (CF0DR)	1005
29.2.27	Control Field 0 Compare Enable Register (CF0CR)	1006
29.2.28	Control Field 0 Receive Data Register (CF0RR)	1007
29.2.29	Primary Control Field 1 Data Register (PCF1DR)	1007
29.2.30	Secondary Control Field 1 Data Register (SCF1DR)	1007
29.2.31	Control Field 1 Compare Enable Register (CF1CR)	1008
29.2.32	Control Field 1 Receive Data Register (CF1RR)	1009
29.2.33	Timer Control Register (TCR)	1009
29.2.34	Timer Mode Register (TMR)	1010

29.2.35	Timer Prescaler Register (TPRE)	1011
29.2.36	Timer Count Register (TCNT)	1011
29.3	Operation in Asynchronous Mode	1012
29.3.1	Serial Data Transfer Format	1012
29.3.2	Receive Data Sampling Timing and Reception Margin in Asynchronous Mode	1014
29.3.3	Clock	1015
29.3.4	CTS and RTS Functions	1015
29.3.5	SCI Initialization (Asynchronous Mode)	1016
29.3.6	Serial Data Transmission (Asynchronous Mode)	1017
29.3.7	Serial Data Reception (Asynchronous Mode)	1019
29.4	Multi-Processor Communications Function	1023
29.4.1	Multi-Processor Serial Data Transmission	1024
29.4.2	Multi-Processor Serial Data Reception	1025
29.5	Operation in Clock Synchronous Mode	1028
29.5.1	Clock	1028
29.5.2	CTS and RTS Functions	1029
29.5.3	SCI Initialization (Clock Synchronous Mode)	1030
29.5.4	Serial Data Transmission (Clock Synchronous Mode)	1031
29.5.5	Serial Data Reception (Clock Synchronous Mode)	1033
29.5.6	Simultaneous Serial Data Transmission and Reception (Clock Synchronous Mode)	1036
29.6	Operation in Smart Card Interface Mode	1037
29.6.1	Sample Connection	1037
29.6.2	Data Format (Except in Block Transfer Mode)	1038
29.6.3	Block Transfer Mode	1039
29.6.4	Receive Data Sampling Timing and Reception Margin	1040
29.6.5	Initialization of the SCI (Smart Card Interface Mode)	1041
29.6.6	Serial Data Transmission (Except in Block Transfer Mode)	1042
29.6.7	Serial Data Reception (Except in Block Transfer Mode)	1045
29.6.8	Clock Output Control	1047
29.7	Operation in Simple I²C Mode	1049
29.7.1	Generation of Start, Restart, and Stop Conditions	1050
29.7.2	Clock Synchronization	1052
29.7.3	SSDA Output Delay	1053
29.7.4	SCI Initialization (Simple I ² C Mode)	1054
29.7.5	Operation in Master Transmission (Simple I ² C Mode)	1055
29.7.6	Master Reception (Simple I ² C Mode)	1057
29.8	Operation in Simple SPI Mode	1059
29.8.1	States of Pins in Master and Slave Modes	1060
29.8.2	SS Function in Master Mode	1060
29.8.3	SS Function in Slave Mode	1060
29.8.4	Relationship between Clock and Transmit/Receive Data	1061

29.8.5	SCI Initialization (Simple SPI Mode)	1062
29.8.6	Transmission and Reception of Serial Data (Simple SPI Mode)	1062
29.9	Extended Serial Mode Control Section: Description of Operation	1063
29.9.1	Serial Transfer Protocol	1063
29.9.2	Transmitting a Start Frame	1064
29.9.3	Receiving a Start Frame	1067
29.9.3.1	Priority Interrupt Bit	1072
29.9.4	Detection of Bus Collisions	1073
29.9.5	Digital Filter for Input on the RXDX12 Pin	1074
29.9.6	Bit-Rate Measurement	1075
29.9.7	Selectable Timing for Sampling Data Received through RXDX12	1076
29.9.8	Timer	1077
29.10	Noise Cancellation Function	1079
29.11	Interrupt Sources	1080
29.11.1	Buffer Operations for TXI and RXI Interrupts	1080
29.11.2	Interrupts in Serial Communications Interface and Simple SPI Mode	1080
29.11.3	Interrupts in Smart Card Interface Mode	1081
29.11.4	Interrupts in Simple I ² C Mode	1082
29.11.5	Interrupts from the Extended Serial Mode Control Section	1083
29.12	Event Linking	1084
29.13	Usage Notes	1085
29.13.1	Setting the Module Stop Function	1085
29.13.2	Break Detection and Processing	1085
29.13.3	The Mark State and Production of Breaks	1085
29.13.4	Receive Error Flags and Transmit Operations (Clock Synchronous Mode Only)	1085
29.13.5	Writing Data to TDR	1085
29.13.6	Restrictions on Clock Synchronous Transmission	1085
29.13.7	Restrictions on Using DTC or DMAC	1086
29.13.8	Points to Note on Starting Transfer	1086
29.13.9	SCI Operations during Low Power Consumption State	1086
29.13.10	External Clock Input in Clock Synchronous Mode	1089
29.13.11	Limitation on Using Simple SPI Bus Mode	1090
29.13.12	Limitation 1 on Usage of the Extended Serial Mode Control Section	1090
29.13.13	Limitation 2 on Usage of the Extended Serial Mode Control Section	1091
30.	I ² C Bus Interface (RIIC)	1092
30.1	Overview	1092
30.2	Register Descriptions	1095
30.2.1	I ² C Bus Control Register 1 (ICCR1)	1095
30.2.2	I ² C Bus Control Register 2 (ICCR2)	1097
30.2.3	I ² C Bus Mode Register 1 (ICMR1)	1100
30.2.4	I ² C Bus Mode Register 2 (ICMR2)	1101

30.2.5	I ² C Bus Mode Register 3 (ICMR3)	1103
30.2.6	I ² C Bus Function Enable Register (ICFER)	1105
30.2.7	I ² C Bus Status Enable Register (ICSER)	1107
30.2.8	I ² C Bus Interrupt Enable Register (ICIER)	1109
30.2.9	I ² C Bus Status Register 1 (ICSR1)	1111
30.2.10	I ² C Bus Status Register 2 (ICSR2)	1114
30.2.11	Slave Address Register Ly (SARLy) (y = 0 to 2)	1118
30.2.12	Slave Address Register Uy (SARUy) (y = 0 to 2)	1119
30.2.13	I ² C Bus Bit Rate Low-Level Register (ICBRL)	1120
30.2.14	I ² C Bus Bit Rate High-Level Register (ICBRH)	1121
30.2.15	I ² C Bus Transmit Data Register (ICDRT)	1123
30.2.16	I ² C Bus Receive Data Register (ICDRR)	1123
30.2.17	I ² C Bus Shift Register (ICDRS)	1123
30.2.18	Timeout internal counter (TMOCNT)	1124
30.3	Operation	1125
30.3.1	Communication Data Format	1125
30.3.2	Initial Settings	1126
30.3.3	Master Transmit Operation	1127
30.3.4	Master Receive Operation	1131
30.3.5	Slave Transmit Operation	1137
30.3.6	Slave Receive Operation	1140
30.4	SCL Synchronization Circuit	1143
30.5	Facility for Delaying SDA Output	1144
30.6	Digital Noise-Filter Circuits	1145
30.7	Address Match Detection	1146
30.7.1	Slave-Address Match Detection	1146
30.7.2	Detection of the General Call Address	1148
30.7.3	Device-ID Address Detection	1149
30.7.4	Host Address Detection	1151
30.8	Automatically Low-Hold Function for SCL	1152
30.8.1	Function to Prevent Wrong Transmission of Transmit Data	1152
30.8.2	NACK Reception Transfer Suspension Function	1153
30.8.3	Function to Prevent Failure to Receive Data	1153
30.9	Arbitration-Lost Detection Functions	1155
30.9.1	Master Arbitration-Lost Detection (MALE Bit)	1155
30.9.2	Function to Detect Loss of Arbitration during NACK Transmission (NALE Bit)	1157
30.9.3	Slave Arbitration-Lost Detection (SALE Bit)	1158
30.10	Start Condition/Restart Condition/Stop Condition Issuing Function	1159
30.10.1	Issuing a Start Condition	1159
30.10.2	Issuing a Restart Condition	1159
30.10.3	Issuing a Stop Condition	1160

30.11	Bus Hanging	1161
30.11.1	Timeout Function	1161
30.11.2	Extra SCL Clock Cycle Output Function	1163
30.11.3	RIIC Reset and Internal Reset	1164
30.12	SMBus Operation	1165
30.12.1	SMBus Timeout Measurement	1165
30.12.2	Packet Error Code (PEC)	1167
30.12.3	SMBus Host Notification Protocol/Notify ARP Master	1167
30.13	Interrupt Request	1168
30.13.1	Buffer Operation for TXI and RXI Interrupts	1168
30.14	Reset States	1169
30.15	Event Link Output	1170
30.15.1	Interrupt Handling and Event Linking	1170
30.16	Usage Notes	1171
30.16.1	Setting Module Stop Function	1171
30.16.2	Points to Note on Starting Transfer	1171
31.	Serial Peripheral Interface (RSPI)	1172
31.1	Overview	1172
31.2	Register Descriptions	1176
31.2.1	RSPI Control Register (SPCR)	1176
31.2.2	RSPI Slave Select Polarity Register (SSLP)	1178
31.2.3	RSPI Pin Control Register (SPPCR)	1179
31.2.4	RSPI Status Register (SPSR)	1180
31.2.5	RSPI Data Register (SPDR)	1182
31.2.6	RSPI Sequence Control Register (SPSCR)	1185
31.2.7	RSPI Sequence Status Register (SPSSR)	1186
31.2.8	RSPI Bit Rate Register (SPBR)	1187
31.2.9	RSPI Data Control Register (SPDCR)	1188
31.2.10	RSPI Clock Delay Register (SPCKD)	1190
31.2.11	RSPI Slave Select Negation Delay Register (SSLND)	1191
31.2.12	RSPI Next-Access Delay Register (SPND)	1192
31.2.13	RSPI Control Register 2 (SPCR2)	1193
31.2.14	RSPI Command Registers 0 to 7 (SPCMD0 to SPCMD7)	1194
31.3	Operation	1197
31.3.1	Overview of RSPI Operations	1197
31.3.2	Controlling RSPI Pins	1198
31.3.3	RSPI System Configuration Examples	1199
31.3.3.1	Single Master/Single Slave (with This LSI Acting as Master)	1199
31.3.3.2	Single Master/Single Slave (with This LSI Acting as Slave)	1200
31.3.3.3	Single Master/Multi-Slave (with This LSI Acting as Master)	1201
31.3.3.4	Single Master/Multi-Slave (with This LSI Acting as Slave)	1202

31.3.3.5	Multi-Master/Multi-Slave (with This LSI Acting as Master)	1203
31.3.3.6	Master (Clock Synchronous Operation)/Slave (Clock Synchronous Operation) (with This LSI Acting as Master)	1204
31.3.3.7	Master (Clock Synchronous Operation)/Slave (Clock Synchronous Operation) (with This LSI Acting as Slave)	1204
31.3.4	Data Format	1205
31.3.4.1	When Parity is Disabled (SPCR2.SPPE = 0)	1206
31.3.4.2	When Parity is Enabled (SPCR2.SPPE = 1)	1210
31.3.5	Transfer Format	1214
31.3.5.1	CPHA = 0	1214
31.3.5.2	CPHA = 1	1215
31.3.6	Communications Operating Mode	1216
31.3.6.1	Full-Duplex Synchronous Serial Communications (SPCR.TXMD = 0)	1216
31.3.6.2	Transmit Operations Only (SPCR.TXMD = 1)	1217
31.3.7	Transmit Buffer Empty/Receive Buffer Full Interrupts	1218
31.3.8	Error Detection	1220
31.3.8.1	Overrun Error	1221
31.3.8.2	Parity Error	1223
31.3.8.3	Mode Fault Error	1224
31.3.9	Initializing RSPI	1225
31.3.9.1	Initialization by Clearing the SPE Bit	1225
31.3.9.2	System Reset	1225
31.3.10	SPI Operation	1226
31.3.10.1	Master Mode Operation	1226
31.3.10.2	Slave Mode Operation	1236
31.3.11	Clock Synchronous Operation	1240
31.3.12	Master Mode Operation	1240
31.3.13	Slave Mode Operation	1244
31.3.14	Loopback Mode	1246
31.3.15	Self-Diagnosis of Parity Bit Function	1247
31.3.16	Interrupt Sources	1248
31.4	Event Link Output	1249
31.4.1	Receive Buffer Full Event Output	1249
31.4.2	Transmit Buffer Empty Event Output	1249
31.4.3	Mode Fault, Overrun, or Parity Error Event Output	1249
31.4.4	RSPI Idle Event Output	1250
31.4.5	Transmit End Event Output	1250
31.5	Usage Note	1251
31.5.1	Setting Module Stop Function	1251
31.5.2	Cautionary Note on the Low Power Consumption Functions	1251
31.5.3	Points to Note on Starting Transfer	1251

32.	CRC Calculator (CRC)	1252
32.1	Overview	1252
32.2	Register Descriptions	1253
32.2.1	CRC Control Register (CRCCR)	1253
32.2.2	CRC Data Input Register (CRCDIR)	1253
32.2.3	CRC Data Output Register (CRCDOR)	1254
32.3	Operation	1255
32.4	Usage Notes	1258
32.4.1	Module Stop Function Setting	1258
32.5	Note on Transmission	1258
33.	12-Bit A/D Converter (S12ADb)	1259
33.1	Overview	1259
33.2	Register Descriptions	1263
33.2.1	A/D Data Registers y (ADDRy) (y = 0 to 15)	1263
33.2.2	A/D Data Duplication Register (ADDBLDR)	1265
33.2.3	A/D Temperature Sensor Data Register (ADTSDR)	1266
33.2.4	A/D Internal Reference Voltage Data Register (ADOCDR)	1267
33.2.5	A/D Self-Diagnosis Data Register (ADRD)	1268
33.2.6	A/D Control Register (ADCSR)	1269
33.2.7	A/D Channel Select Register A (ADANSA)	1272
33.2.8	A/D Channel Select Register B (ADANSB)	1272
33.2.9	A/D-Converted Value Addition Mode Select Register (ADADS)	1273
33.2.10	A/D-Converted Value Addition Count Select Register (ADADC)	1274
33.2.11	A/D Control Extended Register (ADCER)	1275
33.2.12	A/D Start Trigger Select Register (ADSTRGR)	1277
33.2.13	A/D Conversion Extended Input Control Register (ADEXICR)	1279
33.2.14	A/D Sampling State Register n (ADSSTRn) (n = 0 to 7, L, T, O)	1280
33.2.15	A/D Sample and Hold Circuit Control Register (ADSHCR)	1281
33.2.16	A/D Disconnecting Detection Control Register (ADDISCR)	1282
33.3	Operation	1283
33.3.1	Scanning Operation	1283
33.3.2	Single Scan Mode	1284
33.3.2.1	Basic Operation (Channel-Dedicated Sample-and-Hold Circuits not Used)	1284
33.3.2.2	Basic Operation (Channel-Dedicated Sample-and-Hold Circuits Used)	1285
33.3.2.3	Channel Selection and Self-Diagnosis (Channel-Dedicated Sample-and-Hold Circuits not Used)	1286
33.3.2.4	Channel Selection and Self-Diagnosis (Channel-Dedicated Sample-and-Hold Circuits Used)	1287
33.3.2.5	A/D Conversion when Temperature Sensor Output is Selected	1288
33.3.2.6	A/D Conversion when Internal Reference Voltage is Selected	1289
33.3.2.7	A/D Conversion in Double Trigger Mode	1290
33.3.3	Continuous Scan Mode	1291

33.3.3.1	Basic Operation (Channel-Dedicated Sample-and-Hold Circuits not Used)	1291
33.3.3.2	Basic Operation (Channel-Dedicated Sample-and-Hold Circuits Used)	1292
33.3.3.3	Channel Selection and Self-Diagnosis (Channel-Dedicated Sample-and-Hold Circuits not Used)	1293
33.3.3.4	Channel Selection and Self-Diagnosis (Channel-Dedicated Sample-and-Hold Circuits Used)	1294
33.3.4	Group Scan Mode	1295
33.3.4.1	Basic Operation	1295
33.3.4.2	A/D Conversion in Double Trigger Mode	1296
33.3.5	Analog Input Sampling and Scan Conversion Time	1297
33.3.6	Usage Example of Automatic Register Clearing Function	1299
33.3.7	A/D-Converted Value Addition Function	1299
33.3.8	Disconnection Detection Assist Function	1299
33.3.9	Starting A/D Conversion with Asynchronous Trigger	1301
33.3.10	Starting A/D Conversion with Synchronous Trigger from Peripheral Modules	1301
33.4	Interrupt Sources and DMA Transfer Requests	1302
33.4.1	Interrupt Request on Completion of Each Scanning Conversion	1302
33.5	Event Linkage	1302
33.5.1	Event Output to ELC	1302
33.5.2	12-bit A/D Converter Operation by Event from ELC	1302
33.5.3	Notes on Event Reception from ELC during 12-bit A/D Conversion	1302
33.6	A/D Conversion Accuracy Definitions	1303
33.7	Usage Notes	1304
33.7.1	Notes on Reading Data Registers	1304
33.7.2	Notes on Stopping A/D Conversion	1304
33.7.3	A/D Conversion Restarting Timing and Termination Timing	1304
33.7.4	Notes on Scan End Interrupt Handling	1304
33.7.5	Module Stop Function Setting	1304
33.7.6	Notes on Entering Low Power Consumption States	1304
33.7.7	Allowable Impedance of Signal Source	1305
33.7.8	Influence on Absolute Accuracy	1305
33.7.9	Voltage Range of Analog Power Supply Pins	1306
33.7.10	Notes on Board Design	1306
33.7.11	Notes on Noise Prevention	1307
33.7.12	Port Setting when 12-bit A/D Converter Inputs are Used	1307
33.7.13	Error in Absolute Accuracy when Disconnection Detection Assist Function is Used	1307
34.	D/A Converter (DA)	1308
34.1	Overview	1308
34.2	Register Descriptions	1309
34.2.1	D/A Data Register m (DADR _m) (m = 0, 1)	1309
34.2.2	D/A Control Register (DACR)	1310
34.2.3	DADR _m Format Select Register (DADPR)	1311

34.3	Operation	1312
34.4	Event Link Operation Setting Procedure	1313
34.5	Usage Notes on Event Link Operation	1313
34.6	Usage Notes	1314
34.6.1	Module Stop Function Setting	1314
34.6.2	Operation of the D/A Converter in Module Stop State	1314
34.6.3	Operation of the D/A Converter in Software Standby Mode	1314
34.6.4	Note on Entering Deep Software Standby Mode	1314
34.6.5	Port Setting when D/A Converter Output is Used	1314
35.	Temperature Sensor (TEMPSa)	1315
35.1	Overview	1315
35.2	Register Descriptions	1316
35.2.1	Temperature Sensor Control Register (TSCR)	1316
35.3	Using the Temperature Sensor	1317
35.3.1	Preparation for Using the Temperature Sensor	1317
35.3.2	Setting of 12-Bit A/D Converter	1318
35.3.3	A/D Conversion Result of Temperature Sensor Output	1318
35.3.4	Procedure for Using the Temperature Sensor	1319
35.3.5	Timing of A/D Conversion of Temperature Sensor Output	1320
35.4	Usage Note	1320
35.4.1	Module Stop Function Setting	1320
36.	Comparator A (CMPA)	1321
36.1	Overview	1321
36.2	Register Descriptions	1323
36.2.1	Voltage Monitoring 1 Circuit/Comparator A1 Control Register 1 (LVD1CR1)	1323
36.2.2	Voltage Monitoring 1 Circuit/Comparator A1 Status Register (LVD1SR)	1324
36.2.3	Voltage Monitoring 2 Circuit/Comparator A2 Control Register 1 (LVD2CR1)	1325
36.2.4	Voltage Monitoring 2 Circuit/Comparator A2 Status Register (LVD2SR)	1326
36.2.5	Voltage Monitoring Circuit/Comparator A Control Register (LVCMPCR)	1327
36.2.6	Voltage Monitoring 1 Circuit/Comparator A1 Control Register 0 (LVD1CR0)	1328
36.2.7	Voltage Monitoring 2 Circuit/Comparator A2 Control Register 0 (LVD2CR0)	1330
36.3	Monitoring Comparison Results	1332
36.3.1	Monitoring Comparator A1	1332
36.3.2	Monitoring Comparator A2	1332
36.4	Operation	1333
36.4.1	Comparator A1	1333
36.4.2	Comparator A2	1335
36.5	Comparator A1 and Comparator A2 Interrupts	1337
36.5.1	Non-maskable Interrupts	1337
36.5.2	Maskable Interrupts	1337
36.6	Event Link Output	1338

36.7	Interrupt Handling and Event Linking	1338
37.	Comparator B (CMPB)	1339
37.1	Overview	1339
37.2	Register Descriptions	1340
37.2.1	Comparator B Control Register 1 (CPBCNT1)	1340
37.2.2	Comparator B Flag Register (CPBFLG)	1340
37.2.3	Comparator B Interrupt Control Register (CPBINT)	1341
37.2.4	Comparator B Filter Select Register (CPBF)	1342
37.3	Operation	1343
37.3.1	Comparator Bi Digital Filter (i = 0, 1)	1344
37.4	Comparator B0 and Comparator B1 Interrupts	1345
37.5	Event Link Output	1346
37.5.1	Interrupt Handling and Event Linking	1346
37.6	Usage Note	1346
37.6.1	Module Stop Function Setting	1346
38.	Data Operation Circuit (DOC)	1347
38.1	Overview	1347
38.2	Register Descriptions	1348
38.2.1	DOC Control Register (DOCR)	1348
38.2.2	DOC Data Input Register (DODIR)	1349
38.2.3	DOC Data Setting Register (DODSR)	1349
38.3	Operation	1350
38.3.1	Data Comparison Mode	1350
38.3.2	Data Addition Mode	1351
38.3.3	Data Subtraction Mode	1352
38.4	Interrupt Requests	1352
38.5	Usage Note	1352
38.5.1	Module Stop Function Setting	1352
39.	RAM	1353
39.1	Overview	1353
39.2	Operation	1353
39.2.1	Data Retention	1353
39.2.2	Low Power Consumption Function	1353
40.	ROM (Flash Memory for Code Storage)	1354
40.1	Overview	1354
40.2	Register Descriptions	1356
40.2.1	Flash Write Erase Protection Register (FWEPROR)	1356
40.2.2	Flash Mode Register (FMODR)	1357
40.2.3	Flash Access Status Register (FASTAT)	1358
40.2.4	Flash Access Error Interrupt Enable Register (FAEINT)	1360
40.2.5	FCU RAM Enable Register (FCURAME)	1361

40.2.6	Flash Status Register 0 (FSTATR0)	1362
40.2.7	Flash Status Register 1 (FSTATR1)	1365
40.2.8	Flash Ready Interrupt Enable Register (FRDYIE)	1366
40.2.9	Flash P/E Mode Entry Register (FENTRYR)	1367
40.2.10	Flash Protection Register (FPROTR)	1369
40.2.11	Flash Reset Register (FRESETR)	1370
40.2.12	FCU Command Register (FCMDR)	1371
40.2.13	FCU Processing Switching Register (FCPSR)	1372
40.2.14	Flash P/E Status Register (FPESTAT)	1373
40.2.15	Peripheral Clock Notification Register (PCKAR)	1374
40.3	Configuration of Memory Areas for the ROM	1375
40.4	Block Configuration	1377
40.5	Operating Modes Associated with the ROM	1378
40.6	Programming and Erasing the ROM	1379
40.6.1	FCU Modes	1379
40.6.1.1	ROM Read Modes	1380
40.6.1.2	ROM P/E Modes	1380
40.6.2	FCU Commands	1381
40.6.3	Connections between FCU Modes and Commands	1383
40.6.4	FCU Command Usage	1384
40.6.4.1	Mode Transitions	1384
40.6.4.2	Programming and Erasure Procedures	1388
40.6.4.3	Error Processing	1397
40.6.4.4	Suspension and Resumption	1398
40.7	Suspending Operation	1401
40.7.1	Suspension during Programming/Erasure (Suspension Priority Mode)	1402
40.7.2	Suspension during Programming/Erasure (Programming/Erasure Priority Mode)	1403
40.8	Protection	1404
40.8.1	Software Protection	1404
40.8.2	Command-Locked State	1404
40.9	User Boot Mode	1407
40.10	Boot Mode	1407
40.10.1	System Configuration	1407
40.10.2	State Transitions in Boot Mode	1408
40.10.3	Automatic Adjustment of the Bit Rate	1410
40.10.4	ID Code Protection (Boot Mode)	1411
40.10.5	UB Code	1412
40.10.6	Inquiry/Selection Command Wait	1413
40.10.7	ID Code Wait State	1424
40.10.8	Programming/Erasure Command Wait	1425
40.11	ID Code Protection on Connection of the On-Chip Debugger	1433

40.12	ROM Code Protection	1433
40.13	Usage Notes	1434
41.	E2 DataFlash Memory (Flash Memory for Data Storage)	1436
41.1	Overview	1436
41.2	Register Descriptions	1438
41.2.1	Flash Mode Register (FMODR)	1438
41.2.2	Flash Access Status Register (FASTAT)	1439
41.2.3	Flash Access Error Interrupt Enable Register (FAEINT)	1441
41.2.4	E2 DataFlash Read Enable Register 0 (DFLRE0)	1442
41.2.5	E2 DataFlash Programming/Erase Enable Register 0 (DFLWE0)	1443
41.2.6	Flash P/E Mode Entry Register (FENTRYR)	1444
41.2.7	E2 DataFlash Blank Check Control Register (DFLBCCNT)	1445
41.2.8	E2 DataFlash Blank Check Status Register (DFLBCSTAT)	1445
41.3	Configuration of Memory Area for the E2 DataFlash Memory	1446
41.4	Block Configuration	1446
41.5	Operating Modes Associated with the E2 DataFlash	1447
41.6	Programming and Erasing the E2 DataFlash Memory	1448
41.6.1	FCU Modes	1448
41.6.1.1	ROM P/E Modes	1449
41.6.1.2	ROM/E2 DataFlash Read Mode	1449
41.6.1.3	E2 DataFlash P/E Modes	1449
41.6.2	FCU Commands	1450
41.6.3	Connections between FCU Modes and Commands	1451
41.6.4	FCU Command Usage	1452
41.7	Protection	1456
41.7.1	Software Protection	1456
41.7.2	Command-Locked State	1457
41.8	Boot Mode	1458
41.8.1	Inquiry/Selection Commands	1458
41.8.2	Programming/Erasing Commands	1459
41.9	Usage Notes	1461
42.	Electrical Characteristics	1462
42.1	Absolute Maximum Ratings	1462
42.2	DC Characteristics	1463
42.2.1	Standard I/O Pin Output Characteristics (1)	1512
42.2.2	Standard I/O Pin Output Characteristics (2)	1515
42.2.3	RIIC Pin Output Characteristics	1518
42.3	AC Characteristics	1520
42.3.1	Clock Timing	1523
42.3.2	Reset Timing	1530
42.3.3	Timing of Recovery from Low Power Consumption Modes	1531

42.3.4	Control Signal Timing	1534
42.3.5	Bus Timing	1535
42.3.6	Timing of On-Chip Peripheral Modules	1544
42.4	A/D Conversion Characteristics	1558
42.5	D/A Conversion Characteristics	1564
42.6	Temperature Sensor Characteristics	1564
42.7	Comparator Characteristics	1565
42.8	Power-on Reset Circuit and Voltage Detection Circuit Characteristics	1566
42.9	Oscillation Stop Detection Timing	1570
42.10	ROM (Flash Memory for Code Storage) Characteristics	1571
42.11	E2 DataFlash Characteristics	1576
Appendix 1. Port States in Each Processing Mode		1582
Appendix 2. Package Dimensions		1586
REVISION HISTORY		1598

50-MHz 32-bit RX MCUs, 78 DMIPS, up to 1-MB flash memory, 12-bit A/D, 10-bit D/A, ELC, MPC, RTC, up to 15 comms channels; incorporating functions for IEC60730 compliance

Features

■ 32-bit RX CPU core

- Max. operating frequency: 50 MHz
Capable of 78 DMIPS in operation at 50 MHz
- Accumulator handles 64-bit results (for a single instruction) from 32- × 32-bit operations
- Multiplication and division unit handles 32- × 32-bit operations (multiplication instructions take one CPU clock cycle)
- Fast interrupt
- CISC Harvard architecture with 5-stage pipeline
- Variable-length instructions, ultra-compact code
- On-chip debugging circuit

■ Low power design and architecture

- Operation from a single 1.62-V to 5.5-V supply
- 1.62-V operation available (at up to 20 MHz)
- Deep software standby mode with RTC remaining usable
- Four low power consumption modes

■ On-chip flash memory for code, no wait states

- 50-MHz operation, 20-ns read cycle
- No wait states for reading at full CPU speed
- 64-K to 1-Mbyte capacities
- User code programmable via the SCI
- Programmable at 1.62 V
- For instructions and operands

■ On-chip data flash memory

- 8 Kbytes
(Number of times of reprogramming: 100,000)
- Erasing and programming impose no load on the CPU.

■ On-chip SRAM, no wait states

- 12-K to 96-Kbyte size capacities

■ DMA

- DMAC: Incorporates four channels
- DTC: Four transfer modes

■ ELC

- Module operation can be initiated by event signals without going through interrupts.
- Modules can operate while the CPU is sleeping.

■ Reset and supply management

- Nine types of reset, including the power-on reset (POR)
- Low voltage detection (LVD) with voltage settings

■ Clock functions

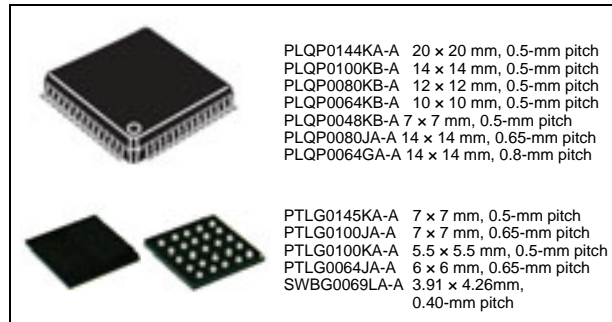
- Frequency of external clock: Up to 20 MHz
- Frequency of the oscillator for sub-clock generation: 32.768 kHz
- PLL circuit input: 4 MHz to 12.5 MHz
- On-chip low- and high-speed oscillators, dedicated on-chip low-speed oscillator for the IWDT
- Generation of a dedicated 32.768-kHz clock for the RTC
- Clock frequency accuracy measurement circuit (CAC)

■ Realtime clock

- Adjustment functions (30 seconds, leap year, and error)
- Year and month display or 32-bit second display (binary counter) is selectable
- Time capture function
- Time capture on event-signal input through external pins
- RTC capable of initiating return from deep software standby mode

■ Independent watchdog timer

- 125-kHz on-chip oscillator produces a dedicated clock signal to drive IWDT operation.



■ Useful functions for IEC60730 compliance

- Self-diagnostic and disconnection-detection assistance functions for the A/D converter, clock frequency accuracy measurement circuit, independent watchdog timer, functions to assist in RAM testing, etc.

■ Up to 15 communications channels

- SCI with many useful functions (up to 13 channels)
Asynchronous mode, clock synchronous mode, smart card interface
- I²C bus interface: Transfer at up to 400 kbps, capable of SMBus operation (one channel)
- RSPI (one channel): Transfer at up to 16 Mbps (768-Kbyte/1-Mbyte flash memory or 144/145-pin products)

■ External address space

- Four CS areas (4 × 16 Mbytes)
- 8- or 16-bit bus space is selectable per area

■ Up to 20 extended-function timers

- 16-bit MTU: input capture, output compare, complementary PWM output, phase counting mode (six channels)
- 16-bit TPU: input capture, output capture, phase counting mode (six channels)
- 8-bit TMR (four channels)
- 16-bit compare-match timers (four channels)

■ 12-bit A/D converter

- Capable of conversion within 1 μs
- Sample-and-hold circuits (for three channels)
- Three-channel synchronized sampling available
- Self-diagnostic function and analog input disconnection detection assistance function

■ 10-bit D/A converter

■ Analog comparator

■ General I/O ports

- 5-V tolerant, open drain, input pull-up, switching of driving ability

■ MPC

- Multiple locations are selectable for I/O pins of peripheral functions

■ Temperature sensor

■ Operating temp. range

- -40°C to +85°C
- -40°C to +105°C

■ Applications

- 69WLBGA (SWBG0069LA-A): General consumer equipment
- Other than above package: General industrial and consumer equipment

1. Overview

1.1 Outline of Specifications

Table 1.1 lists the specifications in outline, and Table 1.2 gives a comparison of the functions of products in different packages.

Table 1.1 is for products with the greatest number of functions, so numbers of peripheral modules and channels will differ in accord with the package. For details, see Table 1.2, Comparison of Functions for Different Packages.

This product includes chip version A (part no.: R5F5210xAxxx), chip version B (part no.: R5F5210xBxxx), and chip version C (part no.: R5F5210xCxxx).

For the specification differences between chip versions A, B, and C, see Table 1, Specification Differences Depending on Chip Versions.

Table 1.1 Outline of Specifications (1 / 5)

Classification	Module/Function	Description
CPU	CPU	<ul style="list-style-type: none"> Maximum operating frequency: 50 MHz 32-bit RX CPU Minimum instruction execution time: One instruction per state (cycle of the system clock) Address space: 4-Gbyte linear Register <ul style="list-style-type: none"> General purpose: Sixteen 32-bit registers Control: Eight 32-bit registers Accumulator: One 64-bit register Basic instructions: 73 DSP instructions: 9 Addressing modes: 10 Data arrangement <ul style="list-style-type: none"> Instructions: Little endian Data: Selectable as little endian or big endian On-chip 32-bit multiplier: $32 \times 32 \rightarrow 64$ bits On-chip divider: $32 / 32 \rightarrow 32$ bits Barrel shifter: 32 bits
Memory	ROM	<ul style="list-style-type: none"> Capacity: 64 K/96 K/128 K/256 K/384 K/512 K/768 Kbytes/1 Mbyte 50 MHz, no-wait memory access On-board programming: 3 types Off-board programming
	RAM	<ul style="list-style-type: none"> Capacity: 12 K/16 K/20 K/32 K/64 K/96 Kbytes 50 MHz, no-wait memory access
	E2 DataFlash	<ul style="list-style-type: none"> Capacity: 8 Kbytes Number of times for programming/erasing: 100,000
MCU operating mode		Single-chip mode, on-chip ROM enabled expansion mode, and on-chip ROM disabled expansion mode (software switching)
Clock	Clock generation circuit	<ul style="list-style-type: none"> Main clock oscillator, sub-clock oscillator, low-speed on-chip oscillator, high-speed on-chip oscillator, PLL frequency synthesizer, and IWDG-dedicated on-chip oscillator Oscillation stop detection Measuring circuit for accuracy of clock frequency (clock-accuracy check: CAC) Independent settings for the system clock (ICLK), peripheral module clock (PCLK), external bus clock (BCLK), and FlashIF clock (FCLK) The CPU and system sections such as other bus masters run in synchronization with the system clock (ICLK): 50 MHz (at max.) Peripheral modules run in synchronization with the peripheral module clock (PCLK): 32 MHz (at max.) Devices connected to the external bus run in synchronization with the external bus clock (BCLK): 12.5 MHz (at max.) The flash peripheral circuit runs in synchronization with the FlashIF clock (FCLK): 32 MHz (at max.)
Reset		RES# pin reset, power-on reset, voltage monitoring reset, watchdog timer reset, independent watchdog timer reset, deep software standby reset, and software reset
Voltage detection	Voltage detection circuit (LVDAa)	<ul style="list-style-type: none"> When the voltage on VCC falls below the voltage detection level, an internal reset or internal interrupt is generated. Voltage detection circuit 0 is capable of selecting the detection voltage from 4 levels Voltage detection circuit 1 is capable of selecting the detection voltage from 16 levels Voltage detection circuit 2 is capable of selecting the detection voltage from 16 levels

Table 1.1 Outline of Specifications (2 / 5)

Classification	Module/Function	Description
Low power consumption	Low power consumption facilities	<ul style="list-style-type: none"> Module stop function Four low power consumption modes Sleep mode, all-module clock stop mode, software standby mode, and deep software standby mode
	Function for lower operating power consumption	<ul style="list-style-type: none"> Operating power control modes [Chip versions A and C] High-speed operating mode, middle-speed operating mode 1A, middle-speed operating mode 1B, low-speed operating mode 1, low-speed operating mode 2 [Chip version B] High-speed operating mode, middle-speed operating mode 1A, middle-speed operating mode 1B, middle-speed operating mode 2A, middle-speed operating mode 2B, low-speed operating mode 1, low-speed operating mode 2
Interrupt	Interrupt controller (ICUb)	<ul style="list-style-type: none"> Interrupt vectors: 167 External interrupts: 9 (NMI, IRQ0 to IRQ7 pins) Non-maskable interrupts: 6 (the NMI pin, oscillation stop detection interrupt, voltage monitoring 1 interrupt, voltage monitoring 2 interrupt, WDT interrupt, and IWDI interrupt) 16 levels specifiable for the order of priority
External bus extension		<ul style="list-style-type: none"> The external address space can be divided into four areas (CS0 to CS3), each with independent control of access settings. Capacity of each area: 16 Mbytes (CS0 to CS3) A chip-select signal (CS0# to CS3#) can be output for each area. Each area is specifiable as an 8-bit or 16-bit bus space The data arrangement in each area is selectable as little or big endian (only for data). Bus format: Separate bus, multiplex bus Wait control Write buffer facility
DMA	DMA controller (DMACA)	<ul style="list-style-type: none"> 4 channels Three transfer modes: Normal transfer, repeat transfer, and block transfer Activation sources: Software trigger, external interrupts, and interrupt requests from peripheral functions
	Data transfer controller (DTCa)	<ul style="list-style-type: none"> Three transfer modes: Normal transfer, repeat transfer, and block transfer Activation sources: Interrupts Chain transfer function
I/O ports	General I/O ports	<p>145-pin/144-pin/100-pin/80-pin/69-pin/64-pin/48-pin</p> <ul style="list-style-type: none"> I/O: 122/122/84/64/48/48/34 Input: 1/1/1/1/1/1/1 Pull-up resistors: 122/122/84/64/48/48/34 Open-drain outputs: 76/76/54/44/35/35/26 5-V tolerance: 4/4/4/4/2/2*1/2
Event link controller (ELC)		<ul style="list-style-type: none"> Event signals of 59 types can be directly connected to the module Operations of timer modules are selectable at event input Capable of event link operation for ports B and E
Multi-function pin controller (MPC)		<ul style="list-style-type: none"> Capable of selecting input/output function from multiple pins

Table 1.1 Outline of Specifications (3 / 5)

Classification	Module/Function	Description
Timers	16-bit timer pulse unit (TPUa)	<ul style="list-style-type: none"> • (16 bits × 6 channels) × 1 unit • Maximum of 16 pulse-input/output possible • Select from among seven or eight counter-input clock signals for each channel • Supports the input capture/output compare function • Output of PWM waveforms in up to 15 phases in PWM mode • Support for buffered operation, phase-counting mode (two-phase encoder input) and cascade-connected operation (32 bits × 2 channels) depending on the channel. • Capable of generating conversion start triggers for the A/D converters • Signals from the input capture pins are input via a digital filter • Clock frequency measuring method (Products with 144 or more pins incorporate a TPU.)
	Multi-function timer pulse unit 2 (MTU2a)	<ul style="list-style-type: none"> • (16 bits × 6 channels) × 1 unit • Up to 16 pulse-input/output lines and three pulse-input lines are available with six 16-bit timer channels • Select from among eight or seven counter-input clock signals for each channel (PCLK/1, PCLK/4, PCLK/16, PCLK/64, PCLK/256, PCLK/1024, MTCLKA, MTCLKB, MTCLKC, MTCLKD) other than channel 5, for which only four signals are available. • Input capture function • 21 output compare/input capture registers • Pulse output mode • Complementary PWM output mode • Reset synchronous PWM mode • Phase-counting mode • Generation of triggers for A/D converter conversion
	Port output enable 2 (POE2a)	Controls the high-impedance state of the MTU's waveform output pins
	8-bit timer (TMR)	<ul style="list-style-type: none"> • (8 bits × 2 channels) × 2 units • Select from among seven internal clock signals (PCLK1, PCLK/2, PCLK/8, PCLK/32, PCLK/64, PCLK/1024, PCLK/8192) and one external clock signal • Capable of output of pulse trains with desired duty cycles or of PWM signals • The 2 channels of each unit can be cascaded to create a 16-bit timer • Capable of generating baud-rate clocks for SCI5, SCI6, and SCI12
	Compare match timer (CMT)	<ul style="list-style-type: none"> • (16 bits × 2 channels) × 2 units • Select from among four clock signals (PCLK/8, PCLK/32, PCLK/128, PCLK/512)
	Watchdog timer (WDTa)	<ul style="list-style-type: none"> • 14 bits × 1 channel • Select from among six counter-input clock signals (PCLK/4, PCLK/64, PCLK/128, PCLK/512, PCLK/2048, PCLK/8192)
	Independent watchdog timer (IWDTa)	<ul style="list-style-type: none"> • 14 bits × 1 channel • Counter-input clock: IWDT-dedicated on-chip oscillator Frequency divided by 1, 16, 32, 64, 128, or 256
	Realtime clock (RTCb)	<ul style="list-style-type: none"> • Clock source: Sub-clock • Time/calendar • Interrupt sources: Alarm interrupt, periodic interrupt, and carry interrupt • Time-capture facility for three values

Table 1.1 Outline of Specifications (4 / 5)

Classification	Module/Function	Description
Communication functions	Serial communications interfaces (SC1c, SC1d)	<ul style="list-style-type: none"> • 13 channels (channel 0 to 11: SC1c, channel 12: SC1d) • Serial communications modes: Asynchronous, clock synchronous, and smart-card interface • On-chip baud rate generator allows selection of the desired bit rate • Choice of LSB-first or MSB-first transfer • Average transfer rate clock can be input from TMR timers (SC15, SC16, and SC112) • Simple IIC • Simple SPI • Master/slave mode supported (SC1d only) • Start frame and information frame are included (SC1d only)
	I ² C bus interface (RIIC)	<ul style="list-style-type: none"> • 1 channel • Communications formats: I²C bus format/SMBus format • Master/slave selectable • Supports the fast mode
	Serial peripheral interface (RSP1)	<ul style="list-style-type: none"> • 1 channel • Transfer facility Using the MOSI (master out, slave in), MISO (master in, slave out), SSL (slave select), and RSP1 clock (RSPCK) signals enables serial transfer through SPI operation (four lines) or clock-synchronous operation (three lines) • Capable of handling serial transfer as a master or slave • Data formats • Choice of LSB-first or MSB-first transfer The number of bits in each transfer can be changed to any number of bits from 8 to 16, 20, 24, or 32 bits. • 128-bit buffers for transmission and reception Up to four frames can be transmitted or received in a single transfer operation (with each frame having up to 32 bits) • Double buffers for both transmission and reception
12-bit A/D converter (S12ADb)		<ul style="list-style-type: none"> • 12 bits (16 channels × 1 unit) • 12-bit resolution • Minimum conversion time: 1.0 μs per channel (in operation with ADCLK at 50 MHz) • Operating modes Scan mode (single scan mode, continuous scan mode, and group scan mode) • Sample-and-hold function • Self-diagnosis for the A/D converter • Assistance in detecting disconnected analog inputs • Double-trigger mode (duplication of A/D conversion data) • A/D conversion start conditions A software trigger, a trigger from a timer (MTU), an external trigger signal, or ELC
Temperature sensor (TEMPSa)		<ul style="list-style-type: none"> • Outputs the voltage that changes depending on the temperature • PGA gain switchable: Four levels according to the voltage range
D/A converter (DA)		<ul style="list-style-type: none"> • 2 channels • 10-bit resolution • Output voltage: 0 V to VREFH
CRC calculator (CRC)		<ul style="list-style-type: none"> • CRC code generation for arbitrary amounts of data in 8-bit units • Select any of three generating polynomials: $X^8 + X^2 + X + 1$, $X^{16} + X^{15} + X^2 + 1$, or $X^{16} + X^{12} + X^5 + 1$ • Generation of CRC codes for use with LSB-first or MSB-first communications is selectable.
Comparator A (CMPA)		<ul style="list-style-type: none"> • 2 channels • Comparison of reference voltage and analog input voltage
Comparator B (CMPB)		<ul style="list-style-type: none"> • 2 channels • Comparison of reference voltage and analog input voltage
Data Operation Circuit (DOC)		Comparison, addition, and subtraction of 16-bit data
Power supply voltage/Operating frequency		VCC = 1.62 to 1.8 V: 20 MHz, VCC = 1.8 to 2.7 V: 32 MHz, VCC = 2.7 to 5.5 V: 50 MHz
Operating temperature		D version: -40 to +85°C, G version: -40 to +105°C*2

Table 1.1 Outline of Specifications (5 / 5)

Classification	Module/Function	Description
Packages	Chip version A	100-pin TFLGA (PTLG0100JA-A) 7 × 7 mm, 0.65-mm pitch 100-pin LQFP (PLQP0100KB-A) 14 × 14 mm, 0.5-mm pitch 80-pin LQFP (PLQP0080KB-A) 12 × 12 mm, 0.5-mm pitch 64-pin LQFP (PLQP0064KB-A) 10 × 10 mm, 0.5-mm pitch
	Chip version B	145-pin TFLGA (PTLG0145KA-A) 7 × 7 mm, 0.5-mm pitch 100-pin TFLGA (PTLG0100JA-A) 7 × 7 mm, 0.65-mm pitch 100-pin TFLGA (PTLG0100KA-A) 5.5 × 5.5 mm, 0.5-mm pitch 64-pin TFLGA (PTLG0064JA-A) 6 × 6 mm, 0.65-mm pitch 144-pin LQFP (PLQP0144KA-A) 20 × 20 mm, 0.5-mm pitch 100-pin LQFP (PLQP0100KB-A) 14 × 14 mm, 0.5-mm pitch 80-pin LQFP (PLQP0080KB-A) 12 × 12 mm, 0.5-mm pitch 80-pin LQFP (PLQP0080JA-A) 14 × 14 mm, 0.65-mm pitch 64-pin LQFP (PLQP0064KB-A) 10 × 10 mm, 0.5-mm pitch 64-pin LQFP (PLQP0064GA-A) 14 × 14 mm, 0.8-mm pitch 48-pin LQFP (PLQP0048KB-A) 7 × 7 mm, 0.5-mm pitch 69-pin WLBGA (SWBG0069LA-A) 3.91 × 4.26mm, 0.40-mm pitch
	Chip version C	100-pin TFLGA (PTLG0100JA-A) 7 × 7 mm, 0.65-mm pitch 100-pin LQFP (PLQP0100KB-A) 14 × 14 mm, 0.5-mm pitch 80-pin LQFP (PLQP0080KB-A) 12 × 12 mm, 0.5-mm pitch 80-pin LQFP (PLQP0080JA-A) 14 × 14 mm, 0.65-mm pitch 64-pin LQFP (PLQP0064KB-A) 10 × 10 mm, 0.5-mm pitch 64-pin LQFP (PLQP0064GA-A) 14 × 14 mm, 0.8-mm pitch
On-chip debugging system		E1 emulator (FINE interface)

Note 1. In chip version A of the part numbers below, port P17 is not 5 V tolerant. Therefore there is only one port in these products.
R5F52108ADFM, R5F52107ADFM, R5F52106ADFM, and R5F52105ADFM

Note 2. Please contact Renesas Electronics sales office for derating of operation under $T_a = +85^{\circ}\text{C}$ to $+105^{\circ}\text{C}$. Derating is the systematic reduction of load for the sake of improved reliability.

Table 1.2 Comparison of Functions for Different Packages

Module/Functions		RX210 Group				
		144, 145 Pins	100 Pins	80 Pins	64, 69 Pins	48 Pins
External bus	External bus width	16 bits		Not supported		
Interrupt	External interrupts	NMI, IRQ0 to IRQ7			NMI, IRQ0 to IRQ2, IRQ4 to IRQ7	NMI, IRQ0, IRQ1, IRQ4 to IRQ7
DMA	DMA controller	4 channels (DMAC0 to DMAC3)				
	Data transfer controller	Supported				
Timers	16-bit timer pulse unit	6 channels (TPU0 to TPU5)	Not supported			
	Multi-function timer pulse unit 2	6 channels (MTU0 to MTU5)				
	Port output enable 2	POE0# to POE3#, POE8#				
	8-bit timer	2 channels × 2 units				
	Compare match timer	2 channels × 2 units				
	Realtime clock	Supported				Not supported
	Watchdog timer	Supported				
	Independent watchdog timer	Supported				
Communication functions	Serial communications interface (SC1c)	12 channels (SC10 to 11)	6 channels (SC10, 1, 5, 6, 8, 9)		5 channels (SC11, 5, 6, 8, 9)	4 channels (SC11, 5, 6, 8)
	Serial communications interface (SC1d)	1 channel (SC112)				
	I ² C bus interface	1 channel				
	Serial peripheral interface	1 channel				
12-bit A/D converter		16 channels (AN000 to AN015)		14 channels (AN000 to AN013)	12 channels (AN000 to AN004, AN006, AN008 to AN013)	8 channels (AN000 to AN002, AN006, AN009 to AN012)
Temperature sensor		Supported				
D/A converter		2 channels				Not supported
CRC calculator		Supported				
Event link controller		Supported				
Comparator A		2 channels				
Comparator B		2 channels				
Packages		145-pin TFLGA 144-pin LQFP	100-pin TFLGA 100-pin LQFP	80-pin LQFP	69-pin WLPGA 64-pin TFLGA 64-pin LQFP	48-pin LQFP

1.2 List of Products

Table 1.3 to Table 1.7 are a list of products, and Figure 1.1 shows how to read the product part no., memory capacity, and package type.

Table 1.3 List of Products Chip Version A: D Version (Ta = -40 to +85°C)

Group	Part No.	Orderable Part No.	Package	ROM Capacity	RAM Capacity	E2 DataFlash	Operating Frequency (Max.)	Operating Temperature
RX210	R5F52108ADFP	R5F52108ADFP#V0	PLQP0100KB-A	512 Kbytes	64 Kbytes	8 Kbytes	50 MHz	-40 to +85°C
	R5F52108ADFN	R5F52108ADFN#V0	PLQP0080KB-A					
	R5F52108ADFM	R5F52108ADFM#V0	PLQP0064KB-A					
	R5F52108ADLJ	R5F52108ADLJ#U0	PTLG0100JA-A					
	R5F52107ADFP	R5F52107ADFP#V0	PLQP0100KB-A	384 Kbytes				
	R5F52107ADFN	R5F52107ADFN#V0	PLQP0080KB-A					
	R5F52107ADFM	R5F52107ADFM#V0	PLQP0064KB-A					
	R5F52107ADLJ	R5F52107ADLJ#U0	PTLG0100JA-A					
	R5F52106ADFP	R5F52106ADFP#V0	PLQP0100KB-A	256 Kbytes	32 Kbytes			
	R5F52106ADFN	R5F52106ADFN#V0	PLQP0080KB-A					
	R5F52106ADFM	R5F52106ADFM#V0	PLQP0064KB-A					
	R5F52106ADLJ	R5F52106ADLJ#U0	PTLG0100JA-A					
	R5F52105ADFP	R5F52105ADFP#V0	PLQP0100KB-A	128 Kbytes	20 Kbytes			
	R5F52105ADFN	R5F52105ADFN#V0	PLQP0080KB-A					
	R5F52105ADFM	R5F52105ADFM#V0	PLQP0064KB-A					
	R5F52105ADLJ	R5F52105ADLJ#U0	PTLG0100JA-A					

Note: • Orderable part numbers are current as of when this manual was published. Please make sure to refer to the relevant product page on the Renesas website for the latest part numbers.

Table 1.4 List of Products Chip Version B: D Version (Ta = -40 to +85°C)

Group	Part No.	Orderable Part No.	Package	ROM Capacity	RAM Capacity	E2 DataFlash	Operating Frequency (Max.)	Operating Temperature
RX210	R5F5210BBDFB	R5F5210BBDFB#30	PLQP0144KA-A	1 Mbytes	96 Kbytes	8 Kbytes	50 MHz	-40 to +85°C
	R5F5210BBDLK	R5F5210BBDLK#U0	PTLG0145KA-A					
	R5F5210BBDFP	R5F5210BBDFP#30	PLQP0100KB-A					
	R5F5210BBDLJ	R5F5210BBDLJ#U0	PTLG0100JA-A					
	R5F5210ABDFB	R5F5210ABDFB#30	PLQP0144KA-A	768 Kbytes	64 Kbytes			
	R5F5210ABDLK	R5F5210ABDLK#U0	PTLG0145KA-A					
	R5F5210ABDFP	R5F5210ABDFP#30	PLQP0100KB-A					
	R5F5210ABDLJ	R5F5210ABDLJ#U0	PTLG0100JA-A					
	R5F52108BDFB	R5F52108BDFB#30	PLQP0144KA-A	512 Kbytes	32 Kbytes			
	R5F52108BDLK	R5F52108BDLK#U0	PTLG0145KA-A					
	R5F52107BDFB	R5F52107BDFB#30	PLQP0144KA-A	384 Kbytes				
	R5F52107BDLK	R5F52107BDLK#U0	PTLG0145KA-A					
	R5F52106BDFB	R5F52106BDFB#30	PLQP0144KA-A	256 Kbytes	20 Kbytes			
	R5F52106BDLK	R5F52106BDLK#U0	PTLG0145KA-A					
	R5F52106BDFP	R5F52106BDFP#30	PLQP0100KB-A					
	R5F52106BDFN	R5F52106BDFN#30	PLQP0080KB-A					
	R5F52106BDFM	R5F52106BDFM#30	PLQP0064KB-A					
	R5F52106BDFL	R5F52106BDFL#30	PLQP0048KB-A					
	R5F52106BDLJ	R5F52106BDLJ#U0	PTLG0100JA-A					
	R5F52106BDLA	R5F52106BDLA#U0	PTLG0100KA-A					
	R5F52106BDFF	R5F52106BDFF#V0	PLQP0080JA-A					
	R5F52106BDFK	R5F52106BDFK#30	PLQP0064GA-A					
	R5F52106BDLH	R5F52106BDLH#U0	PTLG0064JA-A					
	R5F52106BDBM *1	R5F52106BDBM#W0 *1	SWBG0069LA-A					
	R5F52105BDFB	R5F52105BDFB#30	PLQP0144KA-A	128 Kbytes	16 Kbytes			
	R5F52105BDLK	R5F52105BDLK#U0	PTLG0145KA-A					
	R5F52105BDFP	R5F52105BDFP#30	PLQP0100KB-A					
	R5F52105BDFN	R5F52105BDFN#30	PLQP0080KB-A					
	R5F52105BDFM	R5F52105BDFM#30	PLQP0064KB-A					
	R5F52105BDFL	R5F52105BDFL#30	PLQP0048KB-A					
	R5F52105BDLJ	R5F52105BDLJ#U0	PTLG0100JA-A					
	R5F52105BDLA	R5F52105BDLA#U0	PTLG0100KA-A					
R5F52105BDFF	R5F52105BDFF#V0	PLQP0080JA-A						
R5F52105BDFK	R5F52105BDFK#30	PLQP0064GA-A						
R5F52105BDLH	R5F52105BDLH#U0	PTLG0064JA-A						
R5F52105BDBM *1	R5F52105BDBM#W0 *1	SWBG0069LA-A						
R5F52104BDFM	R5F52104BDFM#30	PLQP0064KB-A	96 Kbytes	12 Kbytes				
R5F52104BDFL	R5F52104BDFL#30	PLQP0048KB-A						
R5F52104BDFF	R5F52104BDFF#V0	PLQP0080JA-A						
R5F52104BDLH	R5F52104BDLH#U0	PTLG0064JA-A						
R5F52103BDFM	R5F52103BDFM#30	PLQP0064KB-A	64 Kbytes	12 Kbytes				
R5F52103BDFL	R5F52103BDFL#30	PLQP0048KB-A						
R5F52103BDFF	R5F52103BDFF#V0	PLQP0080JA-A						
R5F52103BDLH	R5F52103BDLH#U0	PTLG0064JA-A						

Note: • Orderable part numbers are current as of when this manual was published. Please make sure to refer to the relevant product page on the Renesas website for the latest part numbers.

Note 1. These products are available for general consumer equipment only.

Table 1.5 List of Products Chip Version B: G Version (Ta = -40 to +105°C)

Group	Part No.	Orderable Part No.	Package	ROM Capacity	RAM Capacity	E2 DataFlash	Operating Frequency (Max.)	Operating Temperature
RX210	R5F5210BBGFB	R5F5210BBGFB#30	PLQP0144KA-A	1 Mbytes	96 Kbytes	8 Kbytes	50 MHz	-40 to +105°C
	R5F5210BBGFP	R5F5210BBGFP#30	PLQP0100KB-A					
	R5F5210ABGFB	R5F5210ABGFB#30	PLQP0144KA-A	768 Kbytes	64 Kbytes			
	R5F5210ABGFP	R5F5210ABGFP#30	PLQP0100KB-A					
	R5F52108BGFB	R5F52108BGFB#30	PLQP0144KA-A	512 Kbytes	64 Kbytes			
	R5F52107BGFB	R5F52107BGFB#30	PLQP0144KA-A	384 Kbytes				
	R5F52106BGFB	R5F52106BGFB#30	PLQP0144KA-A	256 Kbytes	32 Kbytes			
	R5F52106BGFP	R5F52106BGFP#30	PLQP0100KB-A					
	R5F52106BGFN	R5F52106BGFN#30	PLQP0080KB-A					
	R5F52106BGFM	R5F52106BGFM#30	PLQP0064KB-A					
	R5F52106BGFL	R5F52106BGFL#30	PLQP0048KB-A					
	R5F52106BGFF	R5F52106BGFF#V0	PTLG0100JA-A					
	R5F52106BGFK	R5F52106BGFK#30	PLQP0064GA-A	128 Kbytes	20 Kbytes			
	R5F52105BGFB	R5F52105BGFB#30	PLQP0144KA-A					
	R5F52105BGFP	R5F52105BGFP#30	PLQP0100KB-A					
	R5F52105BGFN	R5F52105BGFN#30	PLQP0080KB-A					
	R5F52105BGFM	R5F52105BGFM#30	PLQP0064KB-A					
	R5F52105BGFL	R5F52105BGFL#30	PLQP0048KB-A					
	R5F52105BGFF	R5F52105BGFF#V0	PLQP0080JA-A	96 Kbytes	16 Kbytes			
	R5F52105BGFK	R5F52105BGFK#30	PLQP0064GA-A					
R5F52104BGFM	R5F52104BGFM#30	PLQP0064KB-A	64 Kbytes	12 Kbytes				
R5F52104BGFL	R5F52104BGFL#30	PLQP0048KB-A						
R5F52104BGFF	R5F52104BGFF#V0	PLQP0080JA-A	64 Kbytes	12 Kbytes				
R5F52103BGFM	R5F52103BGFM#30	PLQP0064KB-A						
R5F52103BGFL	R5F52103BGFL#30	PLQP0048KB-A	64 Kbytes	12 Kbytes				
R5F52103BGFF	R5F52103BGFF#V0	PLQP0080JA-A						

Note: • Please contact Renesas Electronics sales office for derating of operation under Ta = +85°C to +105°C. Derating is the systematic reduction of load for the sake of improved reliability.

Note: • Orderable part numbers are current as of when this manual was published. Please make sure to refer to the relevant product page on the Renesas website for the latest part numbers.

Table 1.6 List of Products Chip Version C: D Version (Ta = -40 to +85°C)

Group	Part No.	Orderable Part No.	Package	ROM Capacity	RAM Capacity	E2 DataFlash	Operating Frequency (Max.)	Operating Temperature
RX210	R5F52108CDFP	R5F52108CDFP#30	PLQP0100KB-A	512 Kbytes	64 Kbytes	8 Kbytes	50 MHz	-40 to +85°C
	R5F52108CDFN	R5F52108CDFN#30	PLQP0080KB-A					
	R5F52108CDFM	R5F52108CDFM#30	PLQP0064KB-A					
	R5F52108CDLJ	R5F52108CDLJ#U0	PTLG0100JA-A					
	R5F52108CDFS	R5F52108CDFS#V0	PLQP0080JA-A					
	R5F52108CDFK	R5F52108CDFK#30	PLQP0064GA-A					
	R5F52107CDFP	R5F52107CDFP#30	PLQP0100KB-A	384 Kbytes				
	R5F52107CDFN	R5F52107CDFN#30	PLQP0080KB-A					
	R5F52107CDFM	R5F52107CDFM#30	PLQP0064KB-A					
	R5F52107CDLJ	R5F52107CDLJ#U0	PTLG0100JA-A					
	R5F52107CDFS	R5F52107CDFS#V0	PLQP0080JA-A					
	R5F52107CDFK	R5F52107CDFK#30	PLQP0064GA-A					

Note: • Orderable part numbers are current as of when this manual was published. Please make sure to refer to the relevant product page on the Renesas website for the latest part numbers.

Table 1.7 List of Products Chip Version C: G Version (Ta = -40 to +105°C)

Group	Part No.	Orderable Part No.	Package	ROM Capacity	RAM Capacity	E2 DataFlash	Operating Frequency (Max.)	Operating Temperature
RX210	R5F52108CGFP	R5F52108CGFP#30	PLQP0100KB-A	512 Kbytes	64 Kbytes	8 Kbytes	50 MHz	-40 to +105°C
	R5F52108CGFN	R5F52108CGFN#30	PLQP0080KB-A					
	R5F52108CGFM	R5F52108CGFM#30	PLQP0064KB-A					
	R5F52108CGFF	R5F52108CGFF#V0	PLQP0080JA-A					
	R5F52108CGFK	R5F52108CGFK#30	PLQP0064GA-A					
	R5F52107CGFP	R5F52107CGFP#30	PLQP0100KB-A					
	R5F52107CGFN	R5F52107CGFN#30	PLQP0080KB-A					
	R5F52107CGFM	R5F52107CGFM#30	PLQP0064KB-A					
	R5F52107CGFF	R5F52107CGFF#V0	PLQP0080JA-A					
	R5F52107CGFK	R5F52107CGFK#30	PLQP0064GA-A					

Note: • Please contact Renesas Electronics sales office for derating of operation under Ta = +85°C to +105°C. Derating is the systematic reduction of load for the sake of improved reliability.

Note: • Orderable part numbers are current as of when this manual was published. Please make sure to refer to the relevant product page on the Renesas website for the latest part numbers.

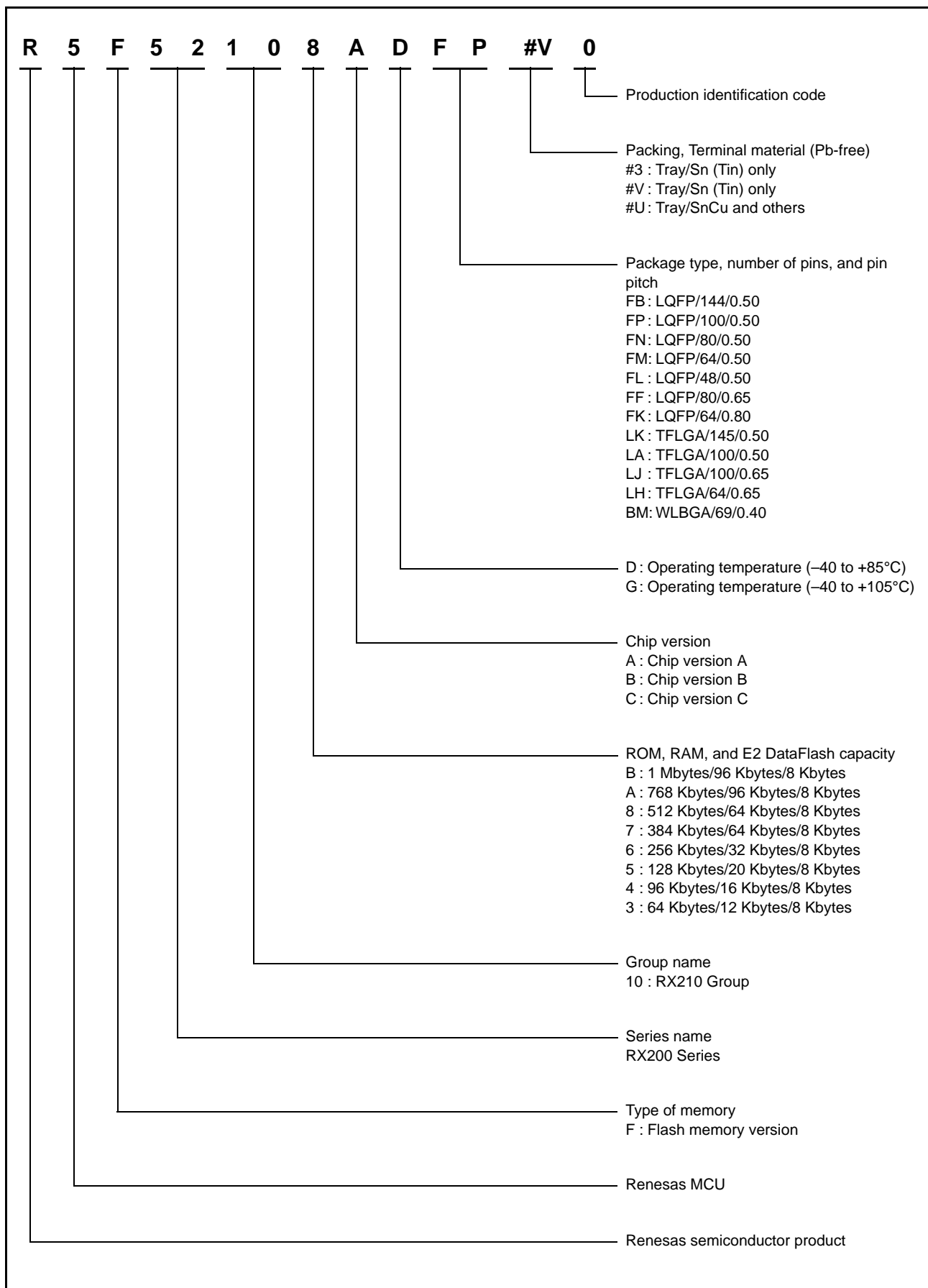


Figure 1.1 How to Read the Product Part No., Memory Capacity, and Package Type

1.3 Block Diagram

Figure 1.2 shows a block diagram.

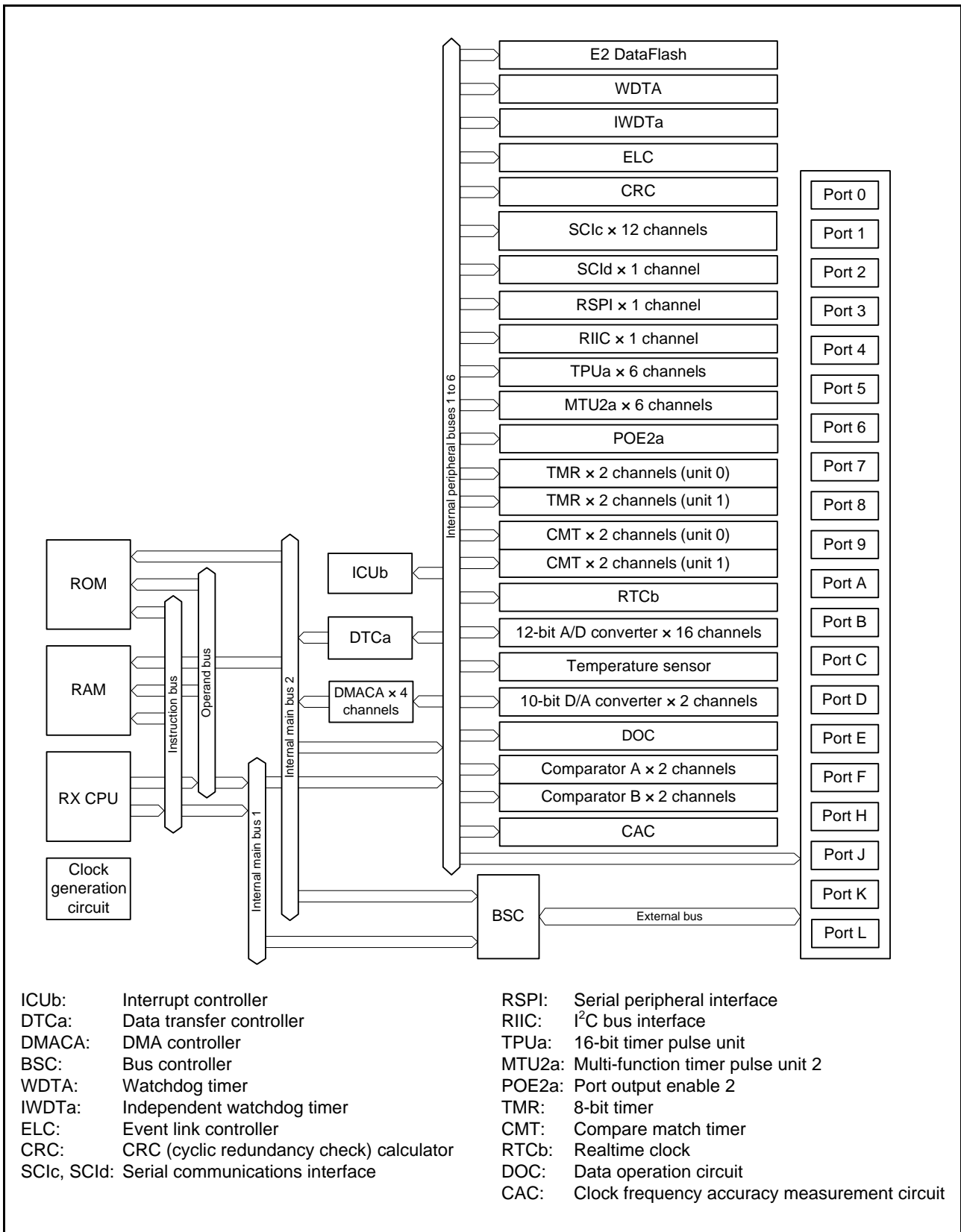


Figure 1.2 Block Diagram

1.4 Pin Functions

Table 1.8 lists the pin functions.

Table 1.8 Pin Functions (1 / 4)

Classifications	Pin Name	I/O	Description
Power supply	VCC	Input	Power supply pin. Connect it to the system power supply.
	VCL	—	Connect this pin to the VSS pin via the 0.1 μ F smoothing capacitor used to stabilize the internal power supply. Place the capacitor close to the pin.
	VSS	Input	Ground pin. Connect it to the system power supply (0 V).
Clock	XTAL	Output	Pins for connecting a crystal resonator. An external clock signal can be input through the EXTAL pin.
	EXTAL	Input	
	BCLK	Output	Outputs the external bus clock for external devices.
	XCIN	Input	Input/output pins for the sub-clock oscillator. Connect a crystal resonator between XCIN and XCOU.
	XCOU	Output	
Operating mode control	MD	Input	Pin for setting the operating mode. The signal levels on this pin must not be changed during operation.
System control	RES#	Input	Reset pin. This LSI enters the reset state when this signal goes low.
CAC	CACREF	Input	Input pin for the clock frequency accuracy measurement circuit.
On-chip emulator	FINED	I/O	FINE interface pin.
Address bus	A0 to A23	Output	Output pins for the address.
Data bus	D0 to D15	I/O	Input and output pins for the bidirectional data bus.
Multiplexed bus	A0/D0 to A15/D15	I/O	Address/data multiplexed bus
Bus control	RD#	Output	Strobe signal which indicates that reading from the external bus interface space is in progress.
	WR#	Output	Strobe signal which indicates that writing to the external bus interface space is in progress, in single-write strobe mode.
	WR0#, WR1#	Output	Strobe signals which indicate that either group of data bus pins (D7 to D0, and D15 to D8) is valid in writing to the external bus interface space, in byte strobe mode.
	BC0#, BC1#	Output	Strobe signals which indicate that either group of data bus pins (D7 to D0 and D15 to D8) is valid in access to the external bus interface space, in single-write strobe mode.
	CS0# to CS3#	Output	Select signals for areas 0 to 3.
	WAIT#	Input	Input pin for wait request signals in access to the external space.
	ALE	Output	Address latch signal when address/data multiplexed bus is selected.
Interrupt	NMI	Input	Non-maskable interrupt request pin.
	IRQ0 to IRQ7	Input	Interrupt request pins.

Table 1.8 Pin Functions (2 / 4)

Classifications	Pin Name	I/O	Description
16-bit timer pulse unit	TIOCA0, TIOCB0 TIOCC0, TIOCD0	I/O	The TGRA0 to TGRD0 input capture input/output compare output/PWM output pins.
	TIOCA1, TIOCB1	I/O	The TGRA1 and TGRB1 input capture input/output compare output/PWM output pins.
	TIOCA2, TIOCB2	I/O	The TGRA2 and TGRB2 input capture input/output compare output/PWM output pins.
	TIOCA3, TIOCB3 TIOCC3, TIOCD3	I/O	The TGRA3 to TGRD3 input capture input/output compare output/PWM output pins.
	TIOCA4, TIOCB4	I/O	The TGRA4 and TGRB4 input capture input/output compare output/PWM output pins.
	TIOCA5, TIOCB5	I/O	The TGRA5 and TGRB5 input capture input/output compare output/PWM output pins.
	TCLKA, TCLKB TCLKC, TCLKD	Input	Input pins for external clock signals.
Multi-function timer pulse unit 2	MTIOC0A, MTIOC0B MTIOC0C, MTIOC0D	I/O	The TGRA0 to TGRD0 input capture input/output compare output/PWM output pins.
	MTIOC1A, MTIOC1B	I/O	The TGRA1 and TGRB1 input capture input/output compare output/PWM output pins.
	MTIOC2A, MTIOC2B	I/O	The TGRA2 and TGRB2 input capture input/output compare output/PWM output pins.
	MTIOC3A, MTIOC3B MTIOC3C, MTIOC3D	I/O	The TGRA3 to TGRD3 input capture input/output compare output/PWM output pins.
	MTIOC4A, MTIOC4B MTIOC4C, MTIOC4D	I/O	The TGRA4 to TGRD4 input capture input/output compare output/PWM output pins.
	MTIC5U, MTIC5V, MTIC5W	Input	The TGRU5, TGRV5, and TGRW5 input capture input/external pulse input pins.
	MTCLKA, MTCLKB, MTCLKC, MTCLKD	Input	Input pins for the external clock.
Port output enable 2	POE0# to POE3#, POE8#	Input	Input pins for request signals to place the MTU pins in the high impedance state.
8-bit timer	TMO0 to TMO3	Output	Compare match output pins.
	TMCi0 to TMCi3	Input	Input pins for external clocks to be input to the counter.
	TMRI0 to TMRI3	Input	Input pins for the counter reset.
Realtime clock	RTCOUT	Output	Output pin for 1-Hz clock.
	RTCIC0 to RTCIC2	Input	Time capture event input pins.
Serial communications interface (SCiC)	• Asynchronous mode/clock synchronous mode		
	SCK0 to SCK11	I/O	Input/output pins for the clock
	RXD0 to RXD11	Input	Input pins for received data
	TXD0 to TXD11	Output	Output pins for transmitted data
	CTS0# to CTS11#	Input	Input pins for controlling the start of transmission and reception
	RTS0# to RTS11#	Output	Output pins for controlling the start of transmission and reception
	• Simple I ² C mode		
	SSCL0 to SSCL11	I/O	Input/output pins for the I ² C clock
	SSDA0 to SSDA11	I/O	Input/output pins for the I ² C data
	• Simple SPI mode		
	SCK0 to SCK11	I/O	Input/output pins for the clock
	SMISO0 to SMISO11	I/O	Input/output pins for slave transmission of data
	SMOSI0 to SMOSI11	I/O	Input/output pins for master transmission of data
	SS0# to SS11#	Input	Chip-select input pins

Table 1.8 Pin Functions (3 / 4)

Classifications	Pin Name	I/O	Description	
Serial communications interface (SCId)	• Asynchronous mode/clock synchronous mode			
	SCK12	I/O	Input/output pin for the clock	
	RXD12	Input	Input pin for received data	
	TXD12	Output	Output pin for transmitted data	
	CTS12#	Input	Input pin for controlling the start of transmission and reception	
	RTS12#	Output	Output pin for controlling the start of transmission and reception	
	• Simple I ² C mode			
	SSCL12	I/O	Input/output pin for the I ² C clock	
	SSDA12	I/O	Input/output pin for the I ² C data	
	• Simple SPI mode			
	SCK12	I/O	Input/output pin for the clock	
	SMISO12	I/O	Input/output pin for slave transmit data	
	SMOSI12	I/O	Input/output pin for master transmit data	
	SS12#	Input	Chip-select input pin	
	• Extended serial mode			
	RXDX12	Input	Input pin for data reception by SCId	
	TXDX12	Output	Output pin for data transmission by SCId	
	SIOX12	I/O	Input/output pin for data reception or transmission by SCId	
	I ² C bus interface	SCL	I/O	Input/output pin for I ² C bus interface clocks. Bus can be directly driven by the N-channel open-drain output.
		SDA	I/O	Input/output pin for I ² C bus interface data. Bus can be directly driven by the N-channel open-drain output.
Serial peripheral interface	RSPCKA	I/O	Clock input/output pin for the RSPI.	
	MOSIA	I/O	Input or output data output from the master for the RSPI.	
	MISOA	I/O	Input or output data output from the slave for the RSPI.	
	SSLA0	I/O	Input/output pin to select the slave for the RSPI.	
	SSLA1 to SSLA3	Output	Output pins to select the slave for the RSPI.	
12-bit A/D converter	AN000 to AN015	Input	Input pins for the analog signals to be processed by the A/D converter.	
	ADTRG0#	Input	Input pin for the external trigger signals that start the A/D conversion.	
D/A converter	DA0, DA1	Output	Output pins for the analog signals to be processed by the D/A converter.	
Comparator A	CMPA1	Input	Input pin for the comparator A1 analog signal.	
	CMPA2	Input	Input pin for the comparator A2 analog signal.	
	CVREFA	Input	Input pin for the comparator reference voltage.	
Comparator B	CMPB0	Input	Input pin for the comparator B0 analog signal.	
	CVREFB0	Input	Input pin for the comparator B0 reference voltage.	
	CMPB1	Input	Input pin for the comparator B1 analog signal.	
	CVREFB1	Input	Input pin for the comparator B1 reference voltage.	

Table 1.8 Pin Functions (4 / 4)

Classifications	Pin Name	I/O	Description
Analog power supply	AVCC0	Input	Analog voltage supply pin for the 12-bit A/D converter. Connect this pin to VCC if the 12-bit A/D converter is not to be used.
	AVSS0	Input	Analog ground pin for the 12-bit A/D converter. Connect this pin to VSS if the 12-bit A/D converter is not to be used.
	VREFH0	Input	Analog reference voltage supply pin for the 12-bit A/D converter. Connect this pin to VCC if the 12-bit A/D converter is not to be used.
	VREFL0	Input	Analog reference ground pin for the 12-bit A/D converter. Connect this pin to VSS if the 12-bit A/D converter is not to be used.
	VREFH	Input	Analog voltage supply pin for the D/A converter. Connect this pin to VCC if the D/A converter is not to be used.
	VREFL	Input	Analog ground pin for the D/A converter. Connect this pin to VSS if the D/A converter is not to be used.
I/O ports	P00 to P03, P05, P07	I/O	6-bit input/output pins.
	P12 to P17	I/O	6-bit input/output pins.
	P20 to P27	I/O	8-bit input/output pins.
	P30 to P37	I/O	8-bit input/output pins. (P35 input pin)
	P40 to P47	I/O	8-bit input/output pins.
	P50 to P56	I/O	7-bit input/output pins.
	P60 to P67	I/O	8-bit input/output pins.
	P70 to P77	I/O	8-bit input/output pins.
	P80 to P83, P86, P87	I/O	6-bit input/output pins.
	P90 to P93	I/O	4-bit input/output pins.
	PA0 to PA7	I/O	8-bit input/output pins.
	PB0 to PB7	I/O	8-bit input/output pins.
	PC0 to PC7	I/O	8-bit input/output pins.
	PD0 to PD7	I/O	8-bit input/output pins.
	PE0 to PE7	I/O	8-bit input/output pins.
	PF5	I/O	1-bit input/output pin.
	PH0 to PH3	I/O	4-bit input/output pins.
	PJ1, PJ3, PJ5	I/O	3-bit input/output pins.
	PK2 to PK5	I/O	4-bit input/output pins.
	PL0, PL1	I/O	2-bit input/output pins.

1.5 Pin Assignments

Figure 1.3 to Figure 1.11 show the pin assignments. Table 1.9 to Table 1.17 show the lists of pins and pin functions.

	A	B	C	D	E	F	G	H	J	K	L	M	N	
13	PE3	PE4	PK4	PE6	P67	PA2	PA4	PA7	PB1	PB5	PL0	PL1	P74	13
12	PE1	PE2	P70	PE5	P65	PA1	VCC	PB0	PB2	PB6	P73	PC1	P75	12
11	P62	P61	PE0	PK5	P66	VSS	PA6	P71	PB4	PB7	PC2	PC0	PC3	11
10	PK3	PK2	P63	PE7	PA0	PA3	PA5	P72	PB3	P76	PC4	P77	P82	10
9	PD6	PD4	PD7	P64	RX210 Group PTLG0145KA-A (145-pin TFLGA) (Upper perspective view)					P80	PC5	P81	PC7	9
8	PD2	PD0	PD3	P60						VCC	P83	PC6	VSS	8
7	P92	P91	PD1	PD5						P51	P52	P50	P55	7
6	P90	P47	VSS	P93						P53	P56	PH0	PH1	6
5	P45	P43	P46	VCC						P44	P54	P13	PH3	PH2
4	P42	VREFL0	P41	P01	NC	PJ1	NC	P35	P30	P15	P24	P12	P14	4
3	P40	P05	VREFH0	P03	PJ5	PJ3	MD	VSS	P32	P31	P16	P86	P87	3
2	P07	AVCC0	P02	PF5	VCL	XCOUT	RES#	VCC	P33	P26	P23	P17	P20	2
1	AVSS0	VREFH	VREFL	P00	VSS	XCIN	XTAL	EXTAL	P34	P27	P25	P22	P21	1
	A	B	C	D	E	F	G	H	J	K	L	M	N	

Note: • This figure indicates the power supply pins and I/O port pins. For the pin configuration, see the table “List of Pins and Pin Functions (145-Pin TFLGA)”.

Note: • For the position of A1 pin in the package, see “Package Dimensions”.

Figure 1.3 Pin Assignments of the 145-Pin TFLGA (Upper Perspective View)

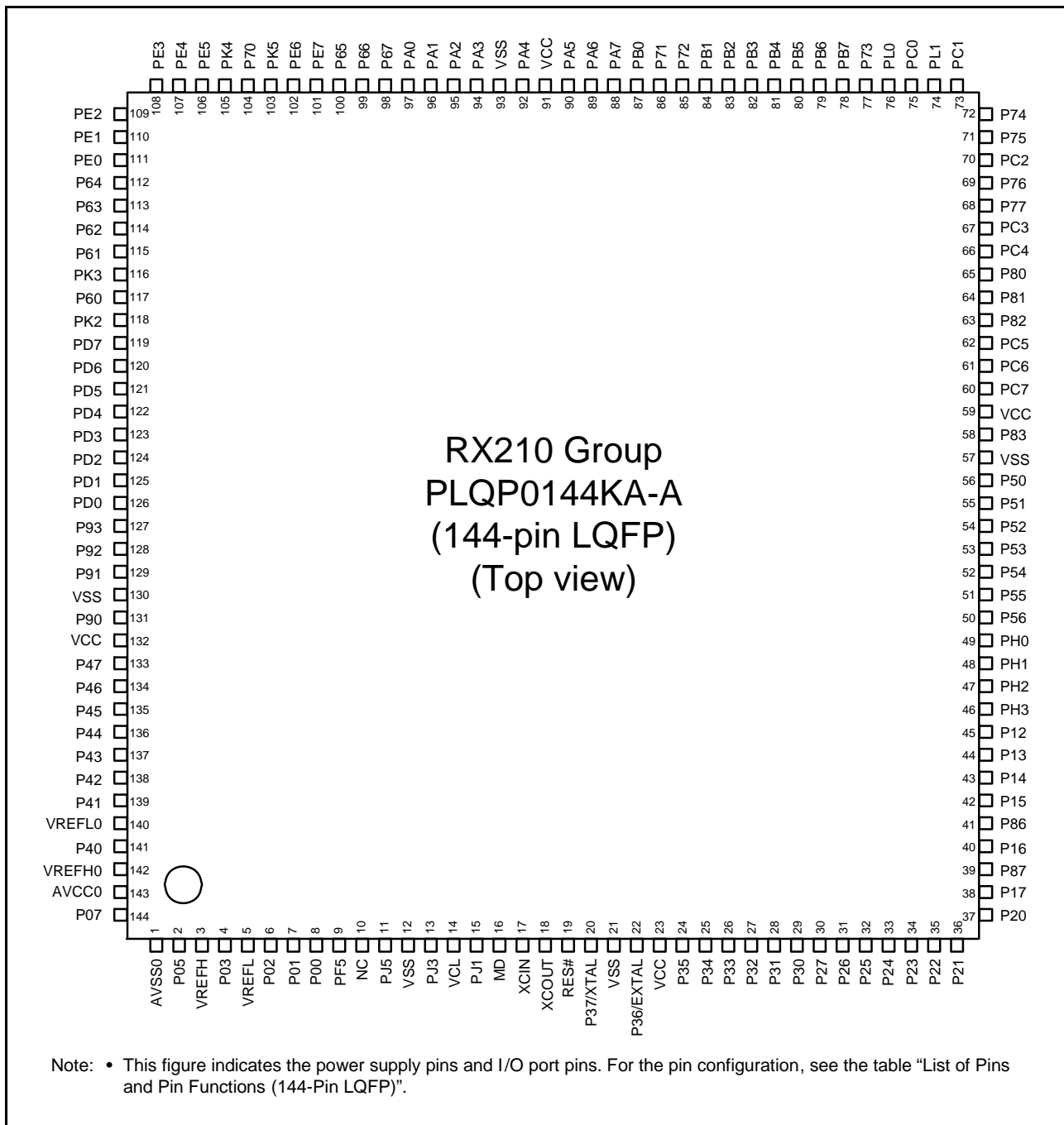


Figure 1.4 Pin Assignments of the 144-Pin LQFP

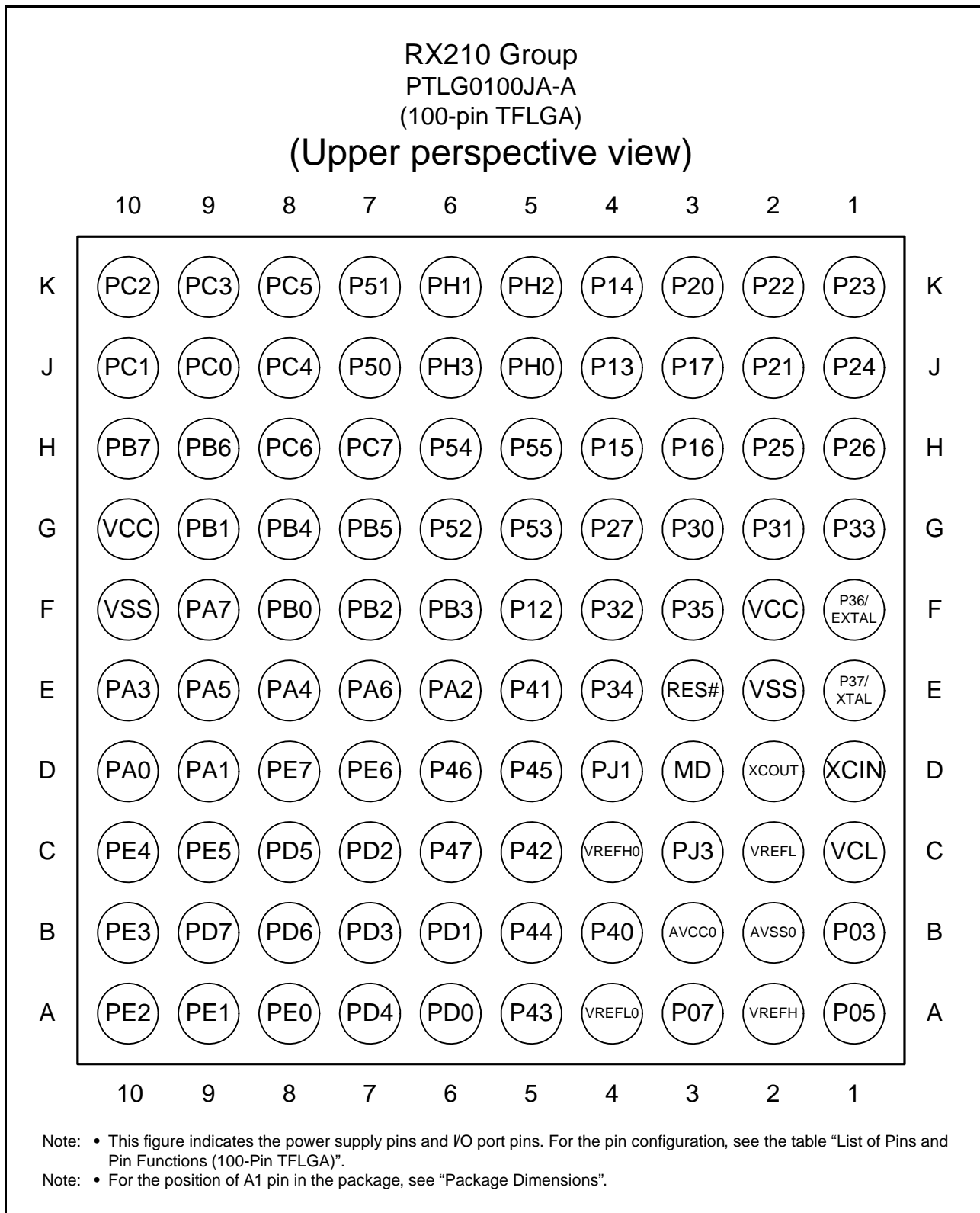


Figure 1.5 Pin Assignments of the 100-Pin TFLGA (Upper Perspective View)

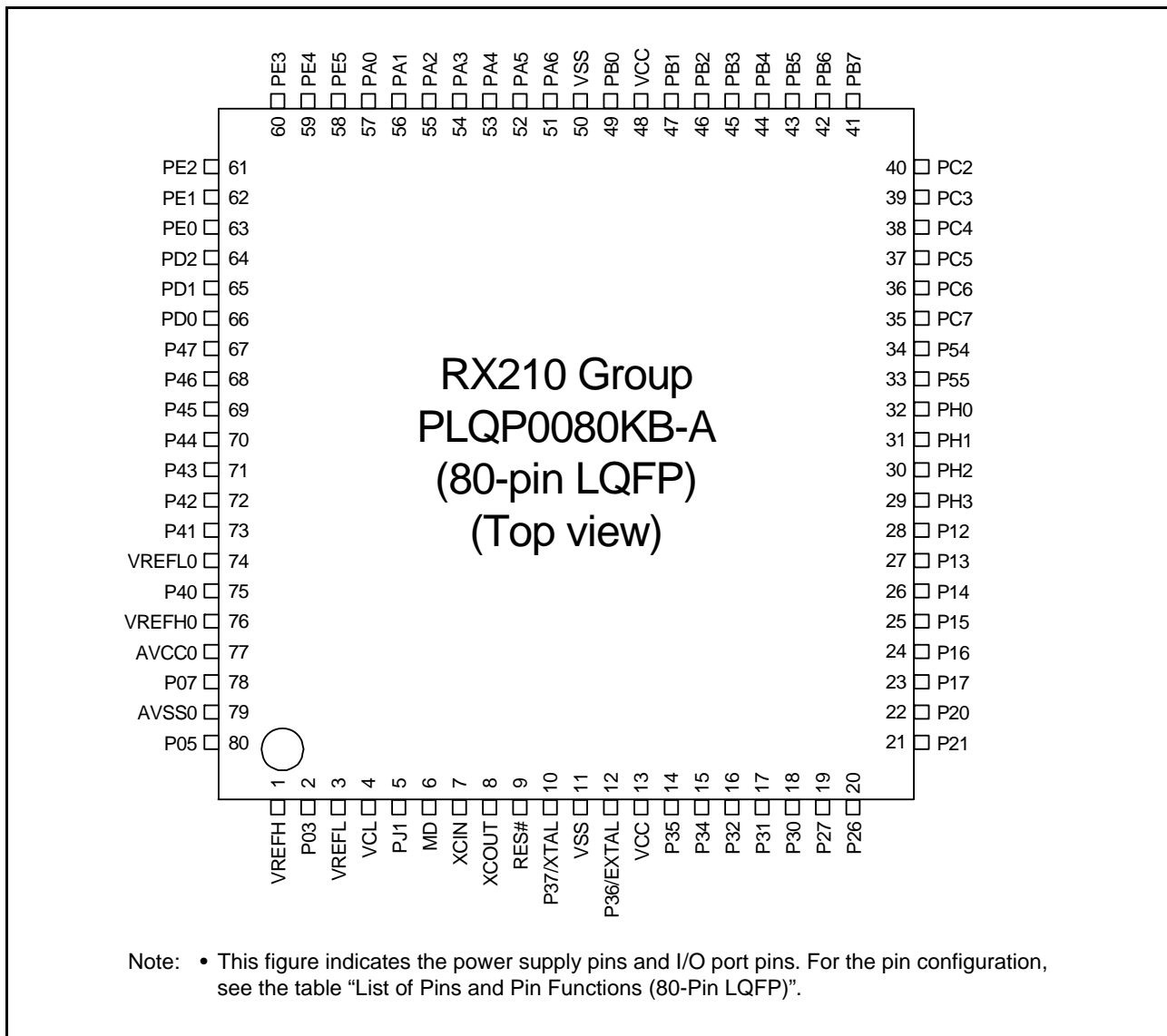


Figure 1.7 Pin Assignments of the 80-Pin LQFP

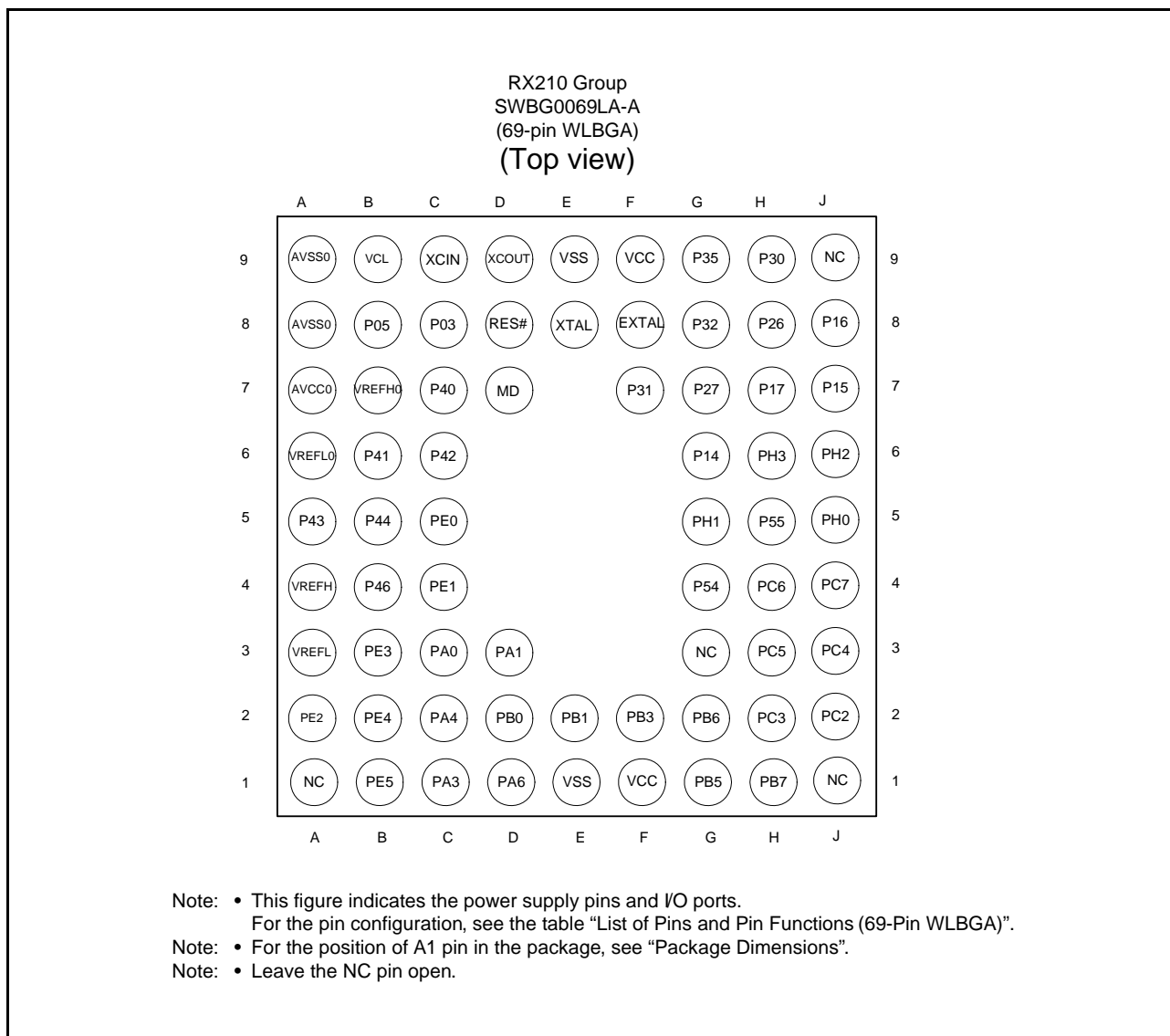


Figure 1.8 Pin Assignments of the 69-Pin WLPGA

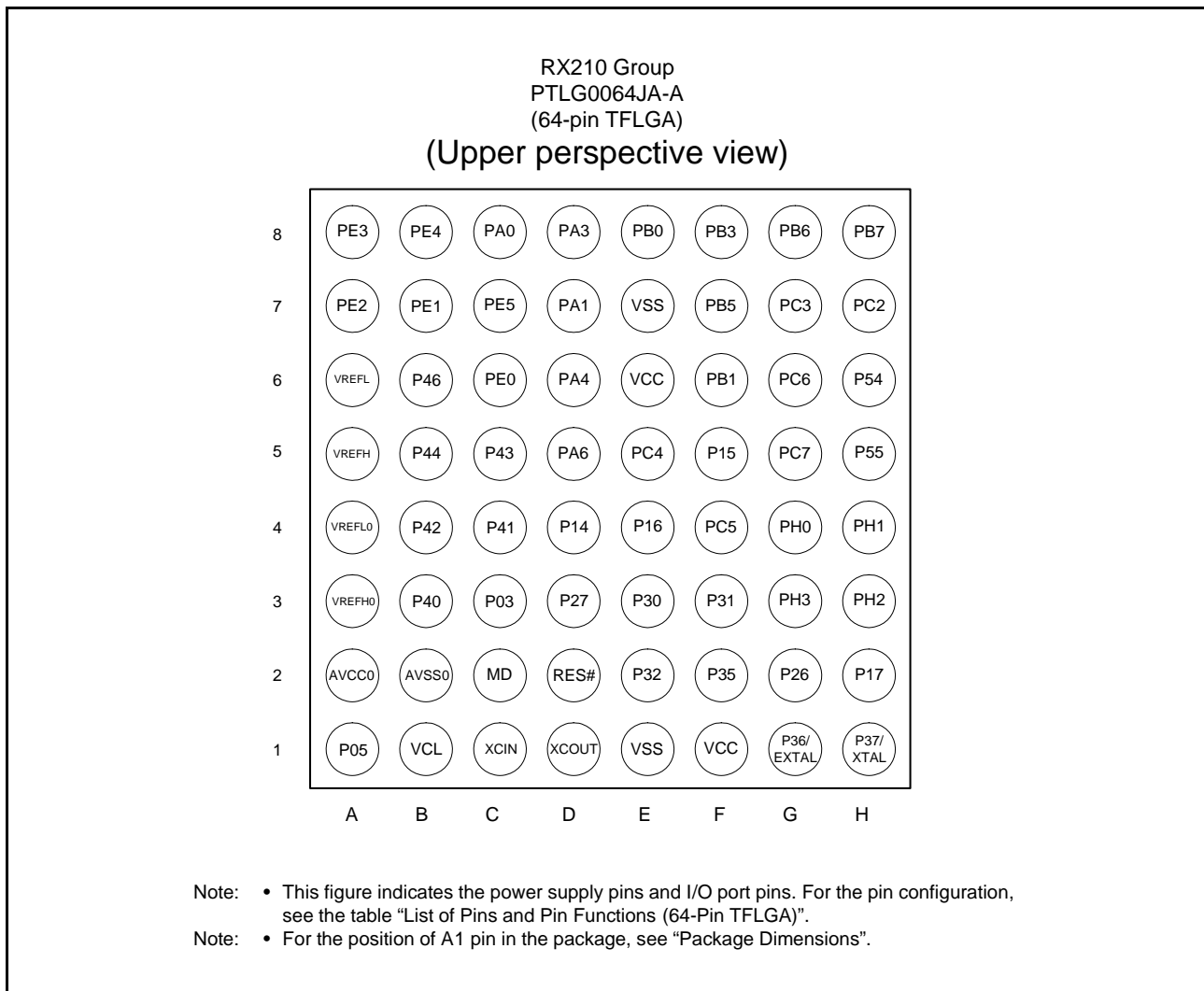


Figure 1.9 Pin Assignments of the 64-Pin TFLGA

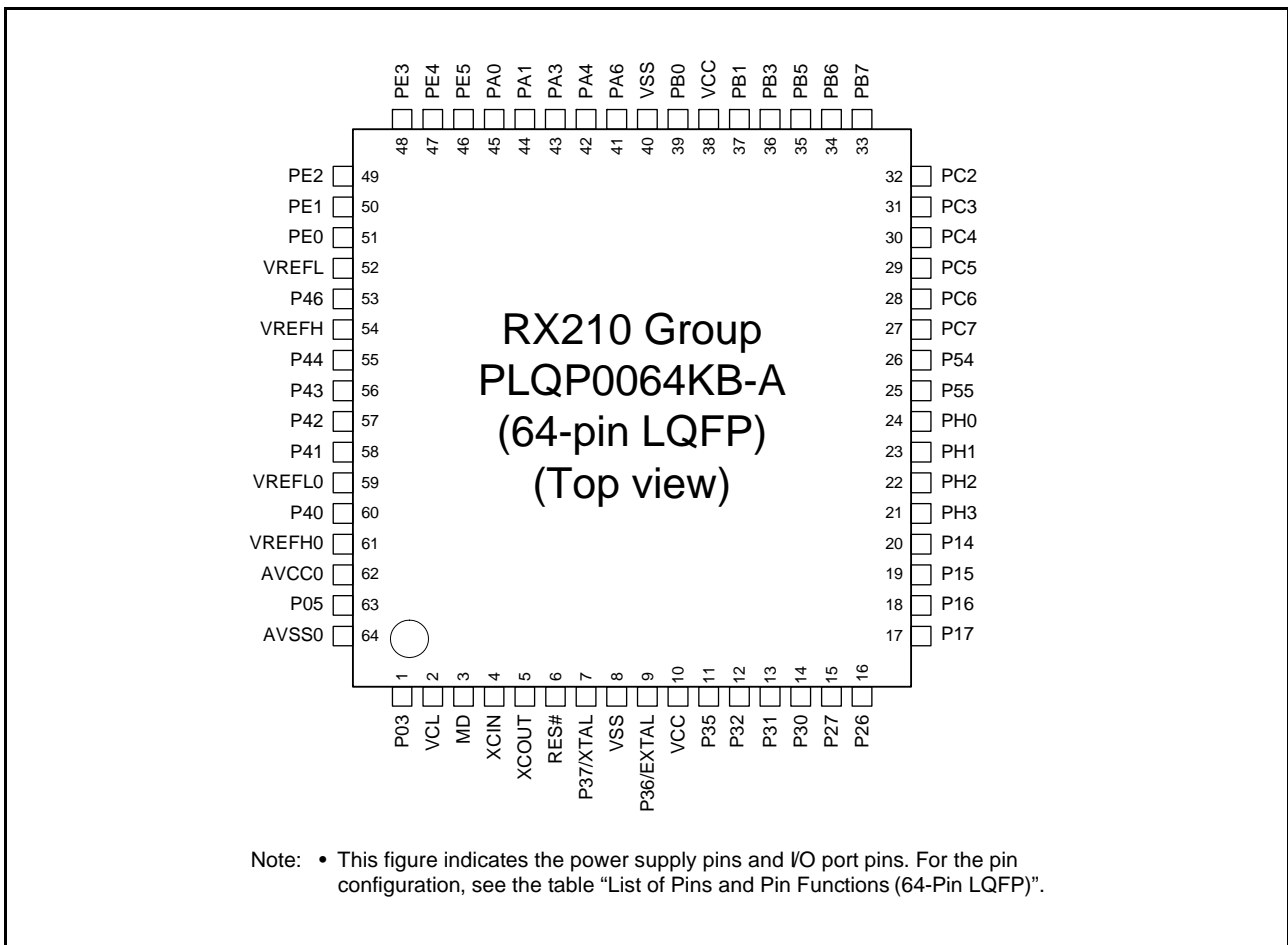


Figure 1.10 Pin Assignments of the 64-Pin LQFP

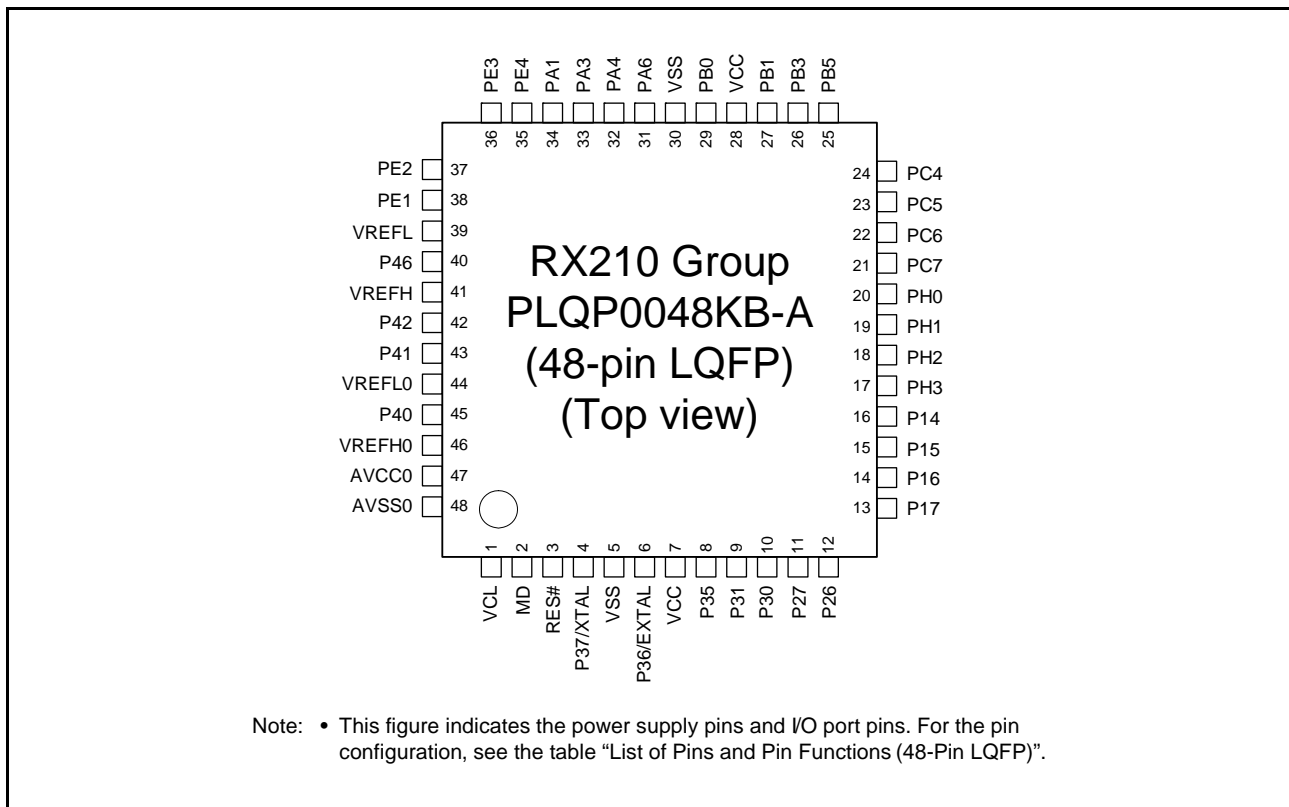


Figure 1.11 Pin Assignments of the 48-Pin LQFP

Table 1.9 List of Pins and Pin Functions (145-Pin TFLGA) (1 / 4)

Pin No.	Power Supply, Clock, System Control	I/O Port	External Bus	Timers (MTU, TMR, POE)	Communications (SClC, SClD, RSPI, RIIC)	Others
A1	AVSS0					
A2		P07				ADTRG0#
A3		P40				AN000
A4		P42				AN002
A5		P45				AN005
A6		P90			TXD7/SMOSI7/SSDA7	
A7		P92			RXD7/SMISO7/SSCL7	
A8		PD2	D2[A2/D2]	MTIOC4D		IRQ2
A9		PD6	D6[A6/D6]	MTIC5V/POE1#		IRQ6
A10		PK3			RXD9/SMISO9/SSCL9	
A11		P62				
A12		PE1	D9[A9/D9]	MTIOC4C	TXD12/TXD12/SIOX12/SMOSI12/SSDA12	AN009/CMPB0
A13		PE3	D11[A11/D11]	MTIOC4B/POE8#	CTS12#/RTS12#/SS12#	AN011/CMPA1
B1	VREFH					
B2	AVCC0					
B3		P05				DA1
B4	VREFL0					
B5		P43				AN003
B6		P47				AN007
B7		P91			SCK7	
B8		PD0	D0[A0/D0]			IRQ0
B9		PD4	D4[A4/D4]	POE3#		IRQ4
B10		PK2			TXD9/SMOSI9/SSDA9	
B11		P61			CTS9#/RTS9#/SS9#	
B12		PE2	D10[A10/D10]	MTIOC4A	RXD12/RXD12/SMISO12/SSCL12	IRQ7-DS/AN010/CVREFB0
B13		PE4	D12[A12/D12]	MTIOC4D/MTIOC1A		AN012/CMPA2
C1	VREFL					
C2		P02		TMCI1	SCK6	
C3	VREFH0					
C4		P41				AN001
C5		P46				AN006
C6	VSS					
C7		PD1	D1[A1/D1]	MTIOC4B		IRQ1
C8		PD3	D3[A3/D3]	POE8#		IRQ3
C9		PD7	D7[A7/D7]	MTIC5U/POE0#		IRQ7
C10		P63				
C11		PE0	D8[A8/D8]		SCK12	AN008
C12		P70			SCK4	
C13		PK4			RXD4/SMISO4/SSCL4	
D1		P00		TMRI0	TXD6/SMOSI6/SSDA6	
D2		PF5				IRQ4
D3		P03				DA0
D4		P01		TMCI0	RXD6/SMISO6/SSCL6	
D5	VCC					
D6		P93			CTS7#/RTS7#/SS7#	
D7		PD5	D5[A5/D5]	MTIC5W/POE2#		IRQ5
D8		P60			SCK9	
D9		P64				
D10		PE7	D15[A15/D15]			IRQ7/AN015

Table 1.9 List of Pins and Pin Functions (145-Pin TFLGA) (2 / 4)

Pin No.	Power Supply, Clock, System Control	I/O Port	External Bus	Timers (MTU, TMR, POE)	Communications (SClC, SClD, RSPI, RIIC)	Others
D11		PK5			TXD4/SMOSI4/SSDA4	
D12		PE5	D13[A13/D13]	MTIOC4C/MTIOC2B		IRQ5/AN013
D13		PE6	D14[A14/D14]		CTS4#/RTS4#/SS4#	IRQ6/AN014
E1	VSS					
E2	VCL					
E3		PJ5				
E4	NC					
E5		P44				AN004
E10		PA0	A0/BC0#	MTIOC4A/TIOCA0	SSLA1	CACREF
E11		P66				
E12		P65				
E13		P67				
F1	XCIN					
F2	XCOU					
F3		PJ3		MTIOC3C	CTS6#/RTS6#/SS6#/ CTS0#/RTS0#/SS0#	
F4		PJ1		MTIOC3A		
F10		PA3	A3	MTIOC0D/MTCLKD/ TIOC0D/TCLKB	RXD5/SMISO5/SSCL5	IRQ6-DS/CMPB1
F11	VSS					
F12		PA1	A1	MTIOC0B/MTCLKC/ TIOCB0	SCK5/SSLA2	CVREFA
F13		PA2	A2		RXD5/SMISO5/SSCL5/ SSLA3	
G1	XTAL	P37				
G2	RES#					
G3	MD					FINED
G4	NC					
G10		PA5	A5	TIOCB1	RSPCKA	
G11		PA6	A6	MTIC5V/MTCLKB/ TMCI3/POE2#/TIOCA2	CTS5#/RTS5#/SS5#/ MOSIA/	
G12	VCC					
G13		PA4	A4	MTIC5U/MTCLKA/ TMRI0/TIOCA1	TXD5/SMOSI5/SSDA5/ SSLA0	IRQ5-DS/CVREFB1
H1	EXTAL	P36				
H2	VCC					
H3	VSS					
H4		P35				NMI
H10		P72				
H11		P71				
H12		PB0	A8	MTIC5W/TIOCA3	RXD4/SMISO4/SSCL4/ RXD6/SMISO6/SSCL6/ RSPCKA	
H13		PA7	A7	TIOCB2	MISOA	
J1		P34		MTIOC0A/TMCI3/ POE2#	SCK6/SCK0	IRQ4
J2		P33		MTIOC0D/TMRI3/ POE3#/TIOC0D	RXD6/SMISO6/SSCL6/ RXD0/SMISO0/SSCL0	IRQ3-DS
J3		P32		MTIOC0C/TMO3/ TIOCC0	TXD6/SMOSI6/SSDA6/ TXD0/SMOSI0/SSDA0	IRQ2-DS/RTCOUT/ RTCIC2
J4		P30		MTIOC4B/TMRI3/ POE8#	RXD1/SMISO1/SSCL1	IRQ0-DS/RTCIC0
J10		PB3	A11	MTIOC0A/MTIOC4A/ TMO0/POE3#/ TIOC0D3/TCLKD	SCK4/SCK6	
J11		PB4	A12	TIOCA4	CTS9#/RTS9#/SS9#	

Table 1.9 List of Pins and Pin Functions (145-Pin TFLGA) (3 / 4)

Pin No.	Power Supply, Clock, System Control	I/O Port	External Bus	Timers (MTU, TMR, POE)	Communications (SCLc, SCLd, RSPI, RIIC)	Others
J12		PB2	A10	TIOCC3/TCLKC	CTS4#/RTS4#/SS4#/ CTS6#/RTS6#/SS6#	
J13		PB1	A9	MTIOC0C/MTIOC4C/ TMCI0/TIOCB3	TXD4/SMOSI4/SSDA4/ TXD6/SMOSI6/SSDA6	IRQ4-DS
K1		P27	CS3#	MTIOC2B/TMCI3	SCK1	
K2		P26	CS2#	MTIOC2A/TMO1	TXD1/SMOSI1/SSDA1/ CTS3#/RTS3#/SS3#	
K3		P31		MTIOC4D/TMCI2	CTS1#/RTS1#/SS1#	IRQ1-DS/RTCIC1
K4		P15		MTIOC0B/MTCLKB/ TMCI2/TIOCB2/TCLKB	RXD1/SMISO1/SSCL1/ SCK3	IRQ5
K5		P54	ALE	MTIOC4B/TMCI1	CTS2#/RTS2#/SS2#	
K6	BCLK	P53				
K7		P51	WR1#/BC1#/WAIT#		SCK2	
K8	VCC					
K9		P80		MTIOC3B	SCK10	
K10		P76			RXD11/SMISO11/SSCL11	
K11		PB7	A15	MTIOC3B/TIOCB5	TXD9/SMOSI9/SSDA9	
K12		PB6	A14	MTIOC3D/TIOCA5	RXD9/SMISO9/SSCL9	
K13		PB5	A13	MTIOC2A/MTIOC1B/ TMRI1/POE1#/TIOCB4	SCK9	
L1		P25	CS1#	MTIOC4C/MTCLKB/ TIOCA4	RXD3/SMISO3/SSCL3	ADTRG0#
L2		P23		MTIOC3D/MTCLKD/ TIOCD3	CTS0#/RTS0#/SS0#/ TXD3/SMOSI3/SSDA3	
L3		P16		MTIOC3C/MTIOC3D/ TMO2/TIOCB1/TCLKC	TXD1/SMOSI1/SSDA1/ MOSIA/SCL-DS/RXD3/ SMISO3/SSCL3	IRQ6/RTCOUT/ ADTRG0#
L4		P24	CS0#	MTIOC4A/MTCLKA/ TMRI1/TIOCB4	SCK3	
L5		P13		MTIOC0B/TMO3/ TIOCA5	SDA/TXD2/SMOSI2/ SSDA2	IRQ3
L6		P56		MTIOC3C/TIOCA1		
L7		P52	RD#		RXD2/SMISO2/SSCL2	
L8		P83		MTIOC4C	CTS10#/RTS10#	
L9		PC5	A21/CS2#/WAIT#	MTIOC3B/MTCLKD/ TMRI2	SCK8/RSPCKA	
L10		PC4	A20/CS3#	MTIOC3D/MTCLKC/ TMCI1/POE0#	SCK5/CTS8#/RTS8#/ SS8#/SSLA0	
L11		PC2	A18	MTIOC4B/TCLKA	RXD5/SMISO5/SSCL5/ SSLA3	
L12		P73				
L13		PL0				
M1		P22		MTIOC3B/MTCLKC/ TMO0/TIOCC3	SCK0	
M2		P17		MTIOC3A/MTIOC3B/ TMO1/POE8#/TIOCB0/ TCLKD	SCK1/MISOA/SDA-DS/ TXD3/SMOSI3/SSDA3	IRQ7
M3		P86		TIOCA0		
M4		P12		TMCI1	SCL/RXD2/SMISO2/ SSCL2	IRQ2
M5		PH3		TMCI0		
M6		PH0				CACREF
M7		P50	WR0#/WR#		TXD2/SMOSI2/SSDA2	
M8		PC6	A22/CS1#	MTIOC3C/MTCLKA/ TMCI2	RXD8/SMISO8/SSCL8/ MOSIA	
M9		P81		MTIOC3D	RXD10/SMISO10/SSCL10	
M10		P77			TXD11/SMOSI11/SSDA11	

Table 1.9 List of Pins and Pin Functions (145-Pin TFLGA) (4 / 4)

Pin No.	Power Supply, Clock, System Control	I/O Port	External Bus	Timers (MTU, TMR, POE)	Communications (SClC, SClD, RSPI, RIIC)	Others
M11		PC0	A16	MTIOC3C/TCLKC	CTS5#/RTS5#/SS5#/SSLA1	
M12		PC1	A17	MTIOC3A/TCLKD	SCK5/SSLA2	
M13		PL1				
N1		P21		MTIOC1B/TMCI0/TIOCA3	RXD0/SMISO0/SSCL0	
N2		P20		MTIOC1A/TMRI0/TIOCB3	TXD0/SMOSI0/SSDA0	
N3		P87		TIOCA2		
N4		P14		MTIOC3A/MTCLKA/TMRI2/TIOCB5/TCLKA	CTS1#/RTS1#/SS1#	IRQ4
N5		PH2		TMRI0		IRQ1
N6		PH1		TMO0		IRQ0
N7		P55	WAIT#	MTIOC4D/TMO3		
N8	VSS					
N9		PC7	A23/CS0#	MTIOC3A/TMO2/MTCLKB	TXD8/SMOSI8/SSDA8/MISOA	CACREF
N10		P82		MTIOC4A	TXD10/SMOSI10/SSDA10	
N11		PC3	A19	MTIOC4D/TCLKB	TXD5/SMOSI5/SSDA5	
N12		P75			SCK11	
N13		P74			CTS11#/RTS11#/SS11#	

Note: • Pin names to which –DS is appended are for pins that can be used to trigger release from deep software standby mode.

Note: • Leave the NC pin open.

Table 1.10 List of Pins and Pin Functions (144-Pin LQFP) (1 / 4)

Pin No.	Power Supply, Clock, System Control	I/O Port	External Bus	Timers (MTU, TMR, POE)	Communications (SCIc, SCId, RSPI, RIIC)	Others
1	AVSS0					
2		P05				DA1
3	VREFH					
4		P03				DA0
5	VREFL					
6		P02		TMCI1	SCK6	
7		P01		TMCI0	RXD6/SMISO6/SSCL6	
8		P00		TMRI0	TXD6/SMOSI6/SSDA6	
9		PF5				IRQ4
10	NC					
11		PJ5				
12	VSS					
13		PJ3		MTIOC3C	CTS6#/RTS6#/SS6#/ CTS0#/RTS0#/SS0#	
14	VCL					
15		PJ1		MTIOC3A		
16	MD					FINED
17	XCIN					
18	XCOUT					
19	RES#					
20	XTAL	P37				
21	VSS					
22	EXTAL	P36				
23	VCC					
24		P35				NMI
25		P34		MTIOC0A/TMCI3/ POE2#	SCK6/SCK0	IRQ4
26		P33		MTIOC0D/TMRI3/ POE3#/TIOCD0	RXD6/SMISO6/SSCL6/ RXD0/SMISO0/SSCL0	IRQ3-DS
27		P32		MTIOC0C/TMO3/ TIOCC0	TXD6/SMOSI6/SSDA6/ TXD0/SMOSI0/SSDA0	IRQ2-DS/RTCOUT/ RTCIC2
28		P31		MTIOC4D/TMCI2	CTS1#/RTS1#/SS1#	IRQ1-DS/RTCIC1
29		P30		MTIOC4B/TMRI3/ POE8#	RXD1/SMISO1/SSCL1	IRQ0-DS/RTCIC0
30		P27	CS3#	MTIOC2B/TMCI3	SCK1	
31		P26	CS2#	MTIOC2A/TMO1	TXD1/SMOSI1/SSDA1/ CTS3#/RTS3#/SS3#	
32		P25	CS1#	MTIOC4C/MTCLKB/ TIOCA4	RXD3/SMISO3/SSCL3	ADTRG0#
33		P24	CS0#	MTIOC4A/MTCLKA/ TMRI1/TIOCB4	SCK3	
34		P23		MTIOC3D/MTCLKD/ TIOCD3	CTS0#/RTS0#/SS0#/ TXD3/SMOSI3/SSDA3	
35		P22		MTIOC3B/MTCLKC/ TMO0/TIOCC3	SCK0	
36		P21		MTIOC1B/TMCI0/ TIOCA3	RXD0/SMISO0/SSCL0	
37		P20		MTIOC1A/TMRI0/ TIOCB3	TXD0/SMOSI0/SSDA0	
38		P17		MTIOC3A/MTIOC3B/ TMO1/POE8#/TIOCB0/ TCLKD	SCK1/MISOA/SDA-DS/ TXD3/SMOSI3/SSDA3	IRQ7
39		P87		TIOCA2		

Table 1.10 List of Pins and Pin Functions (144-Pin LQFP) (2 / 4)

Pin No.	Power Supply, Clock, System Control	I/O Port	External Bus	Timers (MTU, TMR, POE)	Communications (SClC, SClD, RSPI, RIIC)	Others
40		P16		MTIOC3C/MTIOC3D/ TMO2/TIOCB1/TCLKC	TXD1/SMOSI1/SSDA1/ MOSIA/SCL-DS/RXD3/ SMISO3/SSCL3	IRQ6/RTCOUT/ ADTRG0#
41		P86		TIOCA0		
42		P15		MTIOC0B/MTCLKB/ TMCI2/TIOCB2/TCLKB	RXD1/SMISO1/SSCL1/ SCK3	IRQ5
43		P14		MTIOC3A/MTCLKA/ TMRI2/TIOCB5/TCLKA	CTS1#/RTS1#/SS1#	IRQ4
44		P13		MTIOC0B/TMO3/ TIOCA5	SDA/TXD2/SMOSI2/ SSDA2	IRQ3
45		P12		TMCI1	SCL/RXD2/SMISO2/ SSCL2	IRQ2
46		PH3		TMCI0		
47		PH2		TMRI0		IRQ1
48		PH1		TMO0		IRQ0
49		PH0				CACREF
50		P56		MTIOC3C/TIOCA1		
51		P55	WAIT#	MTIOC4D/TMO3		
52		P54	ALE	MTIOC4B/TMCI1	CTS2#/RTS2#/SS2#	
53	BCLK	P53				
54		P52	RD#		RXD2/SMISO2/SSCL2	
55		P51	WR1#/BC1#/WAIT#		SCK2	
56		P50	WR0#/WR#		TXD2/SMOSI2/SSDA2	
57	VSS					
58		P83		MTIOC4C	CTS10#/RTS10#	
59	VCC					
60		PC7	A23/CS0#	MTIOC3A/TMO2/ MTCLKB	TXD8/SMOSI8/SSDA8/ MISOA	CACREF
61		PC6	A22/CS1#	MTIOC3C/MTCLKA/ TMCI2	RXD8/SMISO8/SSCL8/ MOSIA	
62		PC5	A21/CS2#/WAIT#	MTIOC3B/MTCLKD/ TMRI2	SCK8/RSPCKA	
63		P82		MTIOC4A	TXD10/SMOSI10/SSDA10	
64		P81		MTIOC3D	RXD10/SMISO10/SSCL10	
65		P80		MTIOC3B	SCK10	
66		PC4	A20/CS3#	MTIOC3D/MTCLKC/ TMCI1/POE0#	SCK5/CTS8#/RTS8#/ SS8#/SSLA0	
67		PC3	A19	MTIOC4D/TCLKB	TXD5/SMOSI5/SSDA5	
68		P77			TXD11/SMOSI11/SSDA11	
69		P76			RXD11/SMISO11/SSCL11	
70		PC2	A18	MTIOC4B/TCLKA	RXD5/SMISO5/SSCL5/ ISSLA3	
71		P75			SCK11	
72		P74			CTS11#/RTS11#/SS11#	
73		PC1	A17	MTIOC3A/TCLKD	SCK5/SSLA2	
74		PL1				
75		PC0	A16	MTIOC3C/TCLKC	CTS5#/RTS5#/SS5#/ SSLA1	
76		PL0				
77		P73				
78		PB7	A15	MTIOC3B/TIOCB5	TXD9/SMOSI9/SSDA9	
79		PB6	A14	MTIOC3D/TIOCA5	RXD9/SMISO9/SSCL9	
80		PB5	A13	MTIOC2A/MTIOC1B/ TMRI1/POE1#/TIOCB4	SCK9	

Table 1.10 List of Pins and Pin Functions (144-Pin LQFP) (3 / 4)

Pin No.	Power Supply, Clock, System Control	I/O Port	External Bus	Timers (MTU, TMR, POE)	Communications (SClC, SClD, RSPI, RIIC)	Others
81		PB4	A12	TIOCA4	CTS9#/RTS9#/SS9#	
82		PB3	A11	MTIOC0A/MTIOC4A/ TMO0/POE3#/ TIOCD3/TCLKD	SCK4/SCK6	
83		PB2	A10	TIOCC3/TCLKC	CTS4#/RTS4#/SS4#/ CTS6#/RTS6#/SS6#	
84		PB1	A9	MTIOC0C/MTIOC4C/ TMC10/TIOCB3	TXD4/SMOSI4/SSDA4/ TXD6/SMOSI6/SSDA6	IRQ4-DS
85		P72				
86		P71				
87		PB0	A8	MTIC5W/TIOCA3	RXD4/SMISO4/SSCL4/ RXD6/SMISO6/SSCL6/ RSPCKA	
88		PA7	A7	TIOCB2	MISOA	
89		PA6	A6	MTIC5V/MTCLKB/ TMC13/POE2#/TIOCA2	CTS5#/RTS5#/SS5#/ MOSIA/	
90		PA5	A5	TIOCB1	RSPCKA	
91	VCC					
92		PA4	A4	MTIC5U/MTCLKA/ TMR10/TIOCA1	TXD5/SMOSI5/SSDA5/ SSLA0	IRQ5-DS/CVREFB1
93	VSS					
94		PA3	A3	MTIOC0D/MTCLKD/ TIOCD0/TCLKB	RXD5/SMISO5/SSCL5	IRQ6-DS/CMPB1
95		PA2	A2		RXD5/SMISO5/SSCL5/ SSLA3	
96		PA1	A1	MTIOC0B/MTCLKC/ TIOCB0	SCK5/SSLA2	CVREFA
97		PA0	A0/BC0#	MTIOC4A/TIOCA0	SSLA1	CACREF
98		P67				
99		P66				
100		P65				
101		PE7	D15[A15/D15]			IRQ7/AN015
102		PE6	D14[A14/D14]		CTS4#/RTS4#/SS4#	IRQ6/AN014
103		PK5			TXD4/SMOSI4/SSDA4	
104		P70			SCK4	
105		PK4			RXD4/SMISO4/SSCL4	
106		PE5	D13[A13/D13]	MTIOC4C/MTIOC2B		IRQ5/AN013
107		PE4	D12[A12/D12]	MTIOC4D/MTIOC1A		AN012/CMPA2
108		PE3	D11[A11/D11]	MTIOC4B/POE8#	CTS12#/RTS12#/SS12#	AN011/CMPA1
109		PE2	D10[A10/D10]	MTIOC4A	RXD12/RXD12/ SMISO12/SSCL12	IRQ7-DS/AN010/ CVREFB0
110		PE1	D9[A9/D9]	MTIOC4C	TXD12/TXD12/SIOX12/ SMOSI12/SSDA12	AN009/CMPB0
111		PE0	D8[A8/D8]		SCK12	AN008
112		P64				
113		P63				
114		P62				
115		P61			CTS9#/RTS9#/SS9#	
116		PK3			RXD9/SMISO9/SSCL9	
117		P60			SCK9	
118		PK2			TXD9/SMOSI9/SSDA9	
119		PD7	D7[A7/D7]	MTIC5U/POE0#		IRQ7
120		PD6	D6[A6/D6]	MTIC5V/POE1#		IRQ6
121		PD5	D5[A5/D5]	MTIC5W/POE2#		IRQ5

Table 1.10 List of Pins and Pin Functions (144-Pin LQFP) (4 / 4)

Pin No.	Power Supply, Clock, System Control	I/O Port	External Bus	Timers (MTU, TMR, POE)	Communications (SC1c, SC1d, RSPI, RIIC)	Others
122		PD4	D4[A4/D4]	POE3#		IRQ4
123		PD3	D3[A3/D3]	POE8#		IRQ3
124		PD2	D2[A2/D2]	MTIOC4D		IRQ2
125		PD1	D1[A1/D1]	MTIOC4B		IRQ1
126		PD0	D0[A0/D0]			IRQ0
127		P93			CTS7#/RTS7#/SS7#	
128		P92			RXD7/SMISO7/SSCL7	
129		P91			SCK7	
130	VSS					
131		P90			TXD7/SMOSI7/SSDA7	
132	VCC					
133		P47				AN007
134		P46				AN006
135		P45				AN005
136		P44				AN004
137		P43				AN003
138		P42				AN002
139		P41				AN001
140	VREFL0					
141		P40				AN000
142	VREFH0					
143	AVCC0					
144		P07				ADTRG0#

Note: • Pin names to which –DS is appended are for pins that can be used to trigger release from deep software standby mode.

Note: • Leave the NC pin open.

Table 1.11 List of Pins and Pin Functions (100-Pin TFLGA) (1 / 3)

Pin No.	Power Supply, Clock, System Control	I/O Port	External Bus	Timers (MTU, TMR, POE)	Communications (SCIc, SCId, RSPI, RIIC)	Others
A1		P05				DA1
A2	VREFH					
A3		P07				ADTRG0#
A4	VREFL0					
A5		P43				AN003
A6		PD0	D0[A0/D0]			IRQ0
A7		PD4	D4[A4/D4]	POE3#		IRQ4
A8		PE0	D8[A8/D8]		SCK12	AN008
A9		PE1	D9[A9/D9]	MTIOC4C	TXD12/TXD12/SIOX12/SMOS12/SSDA12	AN009/CMPB0
A10		PE2	D10[A10/D10]	MTIOC4A	RXD12/RXD12/SMISO12/SSCL12	IRQ7-DS/AN010/CVREFB0
B1		P03				DA0
B2	AVSS0					
B3	AVCC0					
B4		P40				AN000
B5		P44				AN004
B6		PD1	D1[A1/D1]	MTIOC4B		IRQ1
B7		PD3	D3[A3/D3]	POE8#		IRQ3
B8		PD6	D6[A6/D6]	MTIC5V/POE1#		IRQ6
B9		PD7	D7[A7/D7]	MTIC5U/POE0#		IRQ7
B10		PE3	D11[A11/D11]	MTIOC4B/POE8#	CTS12#/RTS12#/SS12#	AN011/CMPA1
C1	VCL					
C2	VREFL					
C3		PJ3		MTIOC3C	CTS6#/RTS6#/SS6#	
C4	VREFH0					
C5		P42				AN002
C6		P47				AN007
C7		PD2	D2[A2/D2]	MTIOC4D		IRQ2
C8		PD5	D5[A5/D5]	MTIC5W/POE2#		IRQ5
C9		PE5	D13[A13/D13]	MTIOC4C/MTIOC2B		IRQ5/AN013
C10		PE4	D12[A12/D12]	MTIOC4D/MTIOC1A		AN012/CMPA2
D1	XCIN					
D2	XCOUT					
D3	MD					FINED
D4		PJ1		MTIOC3A		
D5		P45				AN005
D6		P46				AN006
D7		PE6	D14[A14/D14]			IRQ6/AN014
D8		PE7	D15[A15/D15]			IRQ7/AN015
D9		PA1	A1	MTIOC0B/MTCLKC	SCK5/SSLA2	CVREFA
D10		PA0	A0/BC0#	MTIOC4A	SSLA1	CACREF
E1	XTAL	P37				
E2	VSS					
E3	RES#					
E4		P34		MTIOC0A/TMC13/POE2#	SCK6	IRQ4
E5		P41				AN001

Table 1.11 List of Pins and Pin Functions (100-Pin TFLGA) (2 / 3)

Pin No.	Power Supply, Clock, System Control	I/O Port	External Bus	Timers (MTU, TMR, POE)	Communications (SCIc, SCId, RSPI, RIIC)	Others
E6		PA2	A2		RXD5/SMISO5/SSCL5/SSLA3	
E7		PA6	A6	MTIC5V/MTCLKB/TMCI3/POE2#	CTS5#/RTS5#/SS5#/MOSIA	
E8		PA4	A4	MTIC5U/MTCLKA/TMRI0	TXD5/SMOSI5/SSDA5/SSLA0	IRQ5-DS/CVREFB1
E9		PA5	A5		RSPCKA	
E10		PA3	A3	MTIOC0D/MTCLKD	RXD5/SMISO5/SSCL5	IRQ6-DS/CMPB1
F1	EXTAL	P36				
F2	VCC					
F3		P35				NMI
F4		P32		MTIOC0C/TMO3	TXD6/SMOSI6/SSDA6	IRQ2-DS/RTCOUT/RTCIC2
F5		P12		TMCI1	SCL	IRQ2
F6		PB3	A11	MTIOC0A/MTIOC4A/TMO0/POE3#	SCK6	
F7		PB2	A10		CTS6#/RTS6#/SS6#	
F8		PB0	A8	MTIC5W	RXD6/SMISO6/SSCL6/RSPCKA	
F9		PA7	A7		MISOA	
F10	VSS					
G1		P33		MTIOC0D/TMRI3/POE3#	RXD6/SMISO6/SSCL6	IRQ3-DS
G2		P31		MTIOC4D/TMCI2	CTS1#/RTS1#/SS1#	IRQ1-DS/RTCIC1
G3		P30		MTIOC4B/TMRI3/POE8#	RXD1/SMISO1/SSCL1	IRQ0-DS/RTCIC0
G4		P27	CS3#	MTIOC2B/TMCI3	SCK1	
G5	BCLK	P53				
G6		P52	RD#			
G7		PB5	A13	MTIOC2A/MTIOC1B/TMRI1/POE1#	SCK9	
G8		PB4	A12		CTS9#/RTS9#/SS9#	
G9		PB1	A9	MTIOC0C/MTIOC4C/TMCI0	TXD6/SMOSI6/SSDA6	IRQ4-DS
G10	VCC					
H1		P26	CS2#	MTIOC2A/TMO1	TXD1/SMOSI1/SSDA1	
H2		P25	CS1#	MTIOC4C/MTCLKB		ADTRG0#
H3		P16		MTIOC3C/MTIOC3D/TMO2	TXD1/SMOSI1/SSDA1/MOSIA/SCL-DS	IRQ6/RTCOUT/ADTRG0#
H4		P15		MTIOC0B/MTCLKB/TMCI2	RXD1/SMISO1/SSCL1	IRQ5
H5		P55	WAIT#	MTIOC4D/TMO3		
H6		P54	ALE	MTIOC4B/TMCI1		
H7		PC7	A23/CS0#	MTIOC3A/TMO2/MTCLKB	TXD8/SMOSI8/SSDA8/MISOA	CACREF
H8		PC6	A22/CS1#	MTIOC3C/MTCLKA/TMCI2	RXD8/SMISO8/SSCL8/MOSIA	
H9		PB6	A14	MTIOC3D	RXD9/SMISO9/SSCL9	
H10		PB7	A15	MTIOC3B	TXD9/SMOSI9/SSDA9	
J1		P24	CS0#	MTIOC4A/MTCLKA/TMRI1		
J2		P21		MTIOC1B/TMCI0	RXD0/SMISO0/SSCL0	
J3		P17		MTIOC3A/MTIOC3B/TMO1/POE8#	SCK1/MISOA/SDA-DS	IRQ7

Table 1.11 List of Pins and Pin Functions (100-Pin TFLGA) (3 / 3)

Pin No.	Power Supply, Clock, System Control	I/O Port	External Bus	Timers (MTU, TMR, POE)	Communications (SCId, SCId, RSPI, RIIC)	Others
J4		P13		MTIOC0B/TMO3	SDA	IRQ3
J5		PH0				CACREF
J6		PH3		TMCI0		
J7		P50	WR0#/WR#			
J8		PC4	A20/CS3#	MTIOC3D/MTCLKC/ TMC11/POE0#	SCK5/CTS8#/RTS8#/ SS8#/SSLA0	
J9		PC0	A16	MTIOC3C	CTS5#/RTS5#/SS5#/ SSLA1	
J10		PC1	A17	MTIOC3A	SCK5/SSLA2	
K1		P23		MTIOC3D/MTCLKD	CTS0#/RTS0#/SS0#	
K2		P22		MTIOC3B/MTCLKC/ TMO0	SCK0	
K3		P20		MTIOC1A/TMRI0	TXD0/SMOSI0/SSDA0	
K4		P14		MTIOC3A/MTCLKA/ TMRI2	CTS1#/RTS1#/SS1#	IRQ4
K5		PH2		TMRI0		IRQ1
K6		PH1		TMO0		IRQ0
K7		P51	WR1#/BC1#/WAIT#			
K8		PC5	A21/CS2#/WAIT#	MTIOC3B/MTCLKD/ TMRI2	SCK8/RSPCKA	
K9		PC3	A19	MTIOC4D	TXD5/SMOSI5/SSDA5	
K10		PC2	A18	MTIOC4B	RXD5/SMISO5/SSCL5/ SSLA3	

Note: • Pin names to which –DS is appended are for pins that can be used to trigger release from deep software standby mode.

Table 1.12 List of Pins and Pin Functions (100-Pin LQFP) (1 / 3)

Pin No.	Power Supply, Clock, System Control	I/O Port	External Bus	Timers (MTU, TMR, POE)	Communications (SCIc, SCId, RSPI, RIIC)	Others
1	VREFH					
2		P03				DA0
3	VREFL					
4		PJ3		MTIOC3C	CTS6#/RTS6#/SS6#	
5	VCL					
6		PJ1		MTIOC3A		
7	MD					FINED
8	XCIN					
9	XCOUT					
10	RES#					
11	XTAL	P37				
12	VSS					
13	EXTAL	P36				
14	VCC					
15		P35				NMI
16		P34		MTIOC0A/TMCI3/ POE2#	SCK6	IRQ4
17		P33		MTIOC0D/TMRI3/ POE3#	RXD6/SMISO6/SSCL6	IRQ3-DS
18		P32		MTIOC0C/TMO3	TXD6/SMOSI6/SSDA6	IRQ2-DS/RTCOUT/ RTCIC2
19		P31		MTIOC4D/TMCI2	CTS1#/RTS1#/SS1#	IRQ1-DS/RTCIC1
20		P30		MTIOC4B/TMRI3/ POE8#	RXD1/SMISO1/SSCL1	IRQ0-DS/RTCIC0
21		P27	CS3#	MTIOC2B/TMCI3	SCK1	
22		P26	CS2#	MTIOC2A/TMO1	TXD1/SMOSI1/SSDA1	
23		P25	CS1#	MTIOC4C/MTCLKB		ADTRG0#
24		P24	CS0#	MTIOC4A/MTCLKA/ TMRI1		
25		P23		MTIOC3D/MTCLKD	CTS0#/RTS0#/SS0#	
26		P22		MTIOC3B/MTCLKC/ TMO0	SCK0	
27		P21		MTIOC1B/TMCI0	RXD0/SMISO0/SSCL0	
28		P20		MTIOC1A/TMRI0	TXD0/SMOSI0/SSDA0	
29		P17		MTIOC3A/MTIOC3B/ TMO1/POE8#	SCK1/MISOA/ SDA-DS	IRQ7
30		P16		MTIOC3C/MTIOC3D/ TMO2	TXD1/SMOSI1/SSDA1/ MOSIA/SCL-DS	IRQ6/RTCOUT/ ADTRG0#
31		P15		MTIOC0B/MTCLKB/ TMCI2	RXD1/SMISO1/SSCL1	IRQ5
32		P14		MTIOC3A/MTCLKA/ TMRI2	CTS1#/RTS1#/SS1#	IRQ4
33		P13		MTIOC0B/TMO3	SDA	IRQ3
34		P12		TMCI1	SCL	IRQ2
35		PH3		TMCI0		
36		PH2		TMRI0		IRQ1
37		PH1		TMO0		IRQ0
38		PH0				CACREF
39		P55	WAIT#	MTIOC4D/TMO3		
40		P54	ALE	MTIOC4B/TMCI1		
41	BCLK	P53				

Table 1.12 List of Pins and Pin Functions (100-Pin LQFP) (2 / 3)

Pin No.	Power Supply, Clock, System Control	I/O Port	External Bus	Timers (MTU, TMR, POE)	Communications (SCIc, SCId, RSPI, RIIC)	Others
42		P52	RD#			
43		P51	WR1#/BC1#/WAIT#			
44		P50	WR0#/WR#			
45		PC7	A23/CS0#	MTIOC3A/TMO2/ MTCLKB	TXD8/SMOSI8/SSDA8/ MISOA	CACREF
46		PC6	A22/CS1#	MTIOC3C/MTCLKA/ TMCI2	RXD8/SMISO8/SSCL8/ MOSIA	
47		PC5	A21/CS2#/WAIT#	MTIOC3B/MTCLKD/ TMR12	SCK8/RSPCKA	
48		PC4	A20/CS3#	MTIOC3D/MTCLKC/ TMCI1/POE0#	SCK5/CTS8#/RTS8#/ SS8#/SSLA0	
49		PC3	A19	MTIOC4D	TXD5/SMOSI5/SSDA5	
50		PC2	A18	MTIOC4B	RXD5/SMISO5/SSCL5/ SSLA3	
51		PC1	A17	MTIOC3A	SCK5/SSLA2	
52		PC0	A16	MTIOC3C	CTS5#/RTS5#/SS5#/ SSLA1	
53		PB7	A15	MTIOC3B	TXD9/SMOSI9/SSDA9	
54		PB6	A14	MTIOC3D	RXD9/SMISO9/SSCL9	
55		PB5	A13	MTIOC2A/MTIOC1B/ TMR11/POE1#	SCK9	
56		PB4	A12		CTS9#/RTS9#/SS9#	
57		PB3	A11	MTIOC0A/MTIOC4A/ TMO0/POE3#	SCK6	
58		PB2	A10		CTS6#/RTS6#/SS6#	
59		PB1	A9	MTIOC0C/MTIOC4C/ TMCI0	TXD6/SMOSI6/SSDA6	IRQ4-DS
60	VCC					
61		PB0	A8	MTIC5W	RXD6/SMISO6/SSCL6/ RSPCKA	
62	VSS					
63		PA7	A7		MISOA	
64		PA6	A6	MTIC5V/MTCLKB/ TMCI3/POE2#	CTS5#/RTS5#/SS5#/ MOSIA	
65		PA5	A5		RSPCKA	
66		PA4	A4	MTIC5U/MTCLKA/ TMR10	TXD5/SMOSI5/SSDA5/ SSLA0	IRQ5-DS/CVREFB1
67		PA3	A3	MTIOC0D/MTCLKD	RXD5/SMISO5/SSCL5	IRQ6-DS/CMPB1
68		PA2	A2		RXD5/SMISO5/SSCL5/ SSLA3	
69		PA1	A1	MTIOC0B/MTCLKC	SCK5/SSLA2	CVREFA
70		PA0	A0/BC0#	MTIOC4A	SSLA1	CACREF
71		PE7	D15[A15/D15]			IRQ7/AN015
72		PE6	D14[A14/D14]			IRQ6/AN014
73		PE5	D13[A13/D13]	MTIOC4C/MTIOC2B		IRQ5/AN013
74		PE4	D12[A12/D12]	MTIOC4D/MTIOC1A		AN012/CMPA2
75		PE3	D11[A11/D11]	MTIOC4B/POE8#	CTS12#/RTS12#/SS12#	AN011/CMPA1
76		PE2	D10[A10/D10]	MTIOC4A	RXD12/RXD12/ SMISO12/SSCL12	IRQ7-DS/AN010/ CVREFB0
77		PE1	D9[A9/D9]	MTIOC4C	TXD12/TXD12/SIOX12/ SMOSI12/SSDA12	AN009/CMPB0
78		PE0	D8[A8/D8]		SCK12	AN008
79		PD7	D7[A7/D7]	MTIC5U/POE0#		IRQ7

Table 1.12 List of Pins and Pin Functions (100-Pin LQFP) (3 / 3)

Pin No.	Power Supply, Clock, System Control	I/O Port	External Bus	Timers (MTU, TMR, POE)	Communications (SC1c, SC1d, RSPI, RIIC)	
						Others
80		PD6	D6[A6/D6]	MTIC5V/POE1#		IRQ6
81		PD5	D5[A5/D5]	MTIC5W/POE2#		IRQ5
82		PD4	D4[A4/D4]	POE3#		IRQ4
83		PD3	D3[A3/D3]	POE8#		IRQ3
84		PD2	D2[A2/D2]	MTIOC4D		IRQ2
85		PD1	D1[A1/D1]	MTIOC4B		IRQ1
86		PD0	D0[A0/D0]			IRQ0
87		P47				AN007
88		P46				AN006
89		P45				AN005
90		P44				AN004
91		P43				AN003
92		P42				AN002
93		P41				AN001
94	VREFL0					
95		P40				AN000
96	VREFH0					
97	AVCC0					
98		P07				ADTRG0#
99	AVSS0					
100		P05				DA1

Note: • Pin names to which –DS is appended are for pins that can be used to trigger release from deep software standby mode.

Table 1.13 List of Pins and Pin Functions (80-Pin LQFP) (1 / 2)

Pin No.	Power Supply, Clock, System Control	I/O Port	Timers (MTU, TMR, POE)	Communications (SCiC, SCId, RSPI, RIIC)	Others
1	VREFH				
2		P03			DA0
3	VREFL				
4	VCL				
5		PJ1	MTIOC3A		
6	MD				FINED
7	XCIN				
8	XCOU				
9	RES#				
10	XTAL	P37			
11	VSS				
12	EXTAL	P36			
13	VCC				
14		P35			NMI
15		P34	MTIOC0A/TMCI3/POE2#	SCK6	IRQ4
16		P32	MTIOC0C/TMO3	TXD6/SMOSI6/SSDA6	IRQ2-DS/RTCOU/ RTCIC2
17		P31	MTIOC4D/TMCI2	CTS1#/RTS1#/SS1#	IRQ1-DS/RTCIC1
18		P30	MTIOC4B/TMRI3/POE8#	RXD1/SMISO1/SSCL1	IRQ0-DS/RTCIC0
19		P27	MTIOC2B/TMCI3	SCK1	
20		P26	MTIOC2A/TMO1	TXD1/SMOSI1/SSDA1	
21		P21	MTIOC1B/TMCI0	RXD0/SSCL0	
22		P20	MTIOC1A/TMRI0	TXD0/SSDA0	
23		P17	MTIOC3A/MTIOC3B/TMO1/ POE8#	SCK1/MISOA/ SDA-DS	IRQ7
24		P16	MTIOC3C/MTIOC3D/TMO2	TXD1/SMOSI1/SSDA1/MOSIA/ SCL-DS	IRQ6/RTCOU/ ADTRG0#
25		P15	MTIOC0B/MTCLKB/TMCI2	RXD1/SMISO1/SSCL1	IRQ5
26		P14	MTIOC3A/MTCLKA/TMRI2	CTS1#/RTS1#/SS1#	IRQ4
27		P13	MTIOC0B/TMO3	SDA	IRQ3
28		P12	TMCI1	SCL	IRQ2
29		PH3	TMCI0		
30		PH2	TMRI0		IRQ1
31		PH1	TMO0		IRQ0
32		PH0			CACREF
33		P55	MTIOC4D/TMO3		
34		P54	MTIOC4B/TMCI1		
35		PC7	MTIOC3A/TMO2/MTCLKB	TXD8/SMOSI8/SSDA8/MISOA	CACREF
36		PC6	MTIOC3C/MTCLKA/TMCI2	RXD8/SMISO8/SSCL8/MOSIA	
37		PC5	MTIOC3B/MTCLKD/TMRI2	SCK8/RSPCKA	
38		PC4	MTIOC3D/MTCLKC/TMCI1/ POE0#	SCK5/CTS8#/RTS8#/SS8#/ SSLA0	
39		PC3	MTIOC4D	TXD5/SMOSI5/SSDA5	
40		PC2	MTIOC4B	RXD5/SMISO5/SSCL5/SSLA3	
41		PB7	MTIOC3B	TXD9/SMOSI9/SSDA9	
42		PB6	MTIOC3D	RXD9/SMISO9/SSCL9	
43		PB5	MTIOC2A/MTIOC1B/TMRI1/ POE1#	SCK9	
44		PB4		CTS9#/RTS9#/SS9#	

Table 1.13 List of Pins and Pin Functions (80-Pin LQFP) (2 / 2)

Pin No.	Power Supply, Clock, System Control	I/O Port	Timers (MTU, TMR, POE)	Communications (SClC, SClD, RSPI, RIIC)	Others
45		PB3	MTIOC0A/MTIOC4A/TMO0/ POE3#	SCK6	
46		PB2		CTS6#/RTS6#/SS6#	
47		PB1	MTIOC0C/MTIOC4C/TMC10	TXD6/SMOSI6/SSDA6	IRQ4-DS
48	VCC				
49		PB0	MTIC5W	RXD6/SMISO6/SSCL6/RSPCKA	
50	VSS				
51		PA6	MTIC5V/MTCLKB/TMC13/ POE2#	CTS5#/RTS5#/SS5#/MOSIA	
52		PA5		RSPCKA	
53		PA4	MTIC5U/MTCLKA/TMRI0	TXD5/SMOSI5/SSDA5/SSLA0	IRQ5-DS/CVREFB1
54		PA3	MTIOC0D/MTCLKD	RXD5/SMISO5/SSCL5	IRQ6-DS/CMPB1
55		PA2		RXD5/SMISO5/SSCL5/SSLA3	
56		PA1	MTIOC0B/MTCLKC	SCK5/SSLA2	CVREFA
57		PA0	MTIOC4A	SSLA1	CACREF
58		PE5	MTIOC4C/MTIOC2B		IRQ5/AN013
59		PE4	MTIOC4D/MTIOC1A		AN012/CMPA2
60		PE3	MTIOC4B/POE8#	CTS12#/RTS12#/SS12#	AN011/CMPA1
61		PE2	MTIOC4A	RXD12/RXD12/SMISO12/ SSCL12	IRQ7-DS/AN010/ CVREFB0
62		PE1	MTIOC4C	TXD12/TXD12/SIOX12/ SMOSI12/SSDA12	AN009/CMPB0
63		PE0		SCK12	AN008
64		PD2	MTIOC4D		IRQ2
65		PD1	MTIOC4B		IRQ1
66		PD0			IRQ0
67		P47			AN007
68		P46			AN006
69		P45			AN005
70		P44			AN004
71		P43			AN003
72		P42			AN002
73		P41			AN001
74	VREFLO				
75		P40			AN000
76	VREFH0				
77	AVCC0				
78		P07			ADTRG0#
79	AVSS0				
80		P05			DA1

Note: • Pin names to which –DS is appended are for pins that can be used to trigger release from deep software standby mode.

Table 1.14 List of Pins and Pin Functions (69-Pin WLBGA) (1 / 2)

Pin No.	Power Supply, Clock, System Control	I/O Port	Timers (MTU, TMR, POE)	Communications (SClC, SClD, RSPI, RIIC)	Others
A1	NC				
A2		PE2	MTIOC4A	RXD12/RXD12/SMISO12/ SSCL12	IRQ7-DS/AN010/ CVREFB0
A3	VREFL				
A4	VREFH				
A5		P43			AN003
A6	VREFL0				
A7	AVCC0				
A8	AVSS0				
A9	AVSS0				
B1		PE5	MTIOC4C/MTIOC2B		IRQ5/AN013
B2		PE4	MTIOC4D/MTIOC1A		AN012/CMPA2
B3		PE3	MTIOC4B/POE8#	CTS12#/RTS12#/SS12#	AN011/CMPA1
B4		P46			AN006
B5		P44			AN004
B6		P41			AN001
B7	VREFH0				
B8		P05			DA1
B9	VCL				
C1		PA3	MTIOC0D/MTCLKD	RXD5/SMISO5/SSCL5	IRQ6-DS/CMPB1
C2		PA4	MTIC5U/MTCLKA/TMR10	TXD5/SMOSI5/SSDA5/SSLA0	IRQ5-DS/CVREFB1
C3		PA0	MTIOC4A	SSLA1	CACREF
C4		PE1	MTIOC4C	TXD12/TXD12/SIOX12/ SMOSI12/SSDA12	AN009/CMPB0
C5		PE0		SCK12	AN008
C6		P42			AN002
C7		P40			AN000
C8		P03			DA0
C9	XCIN				
D1		PA6	MTIC5V/MTCLKB/TMC13/ POE2#	CTS5#/RTS5#/SS5#/MOSIA	
D2		PB0	MTIC5W	RXD6/SMISO6/SSCL6/ RSPCKA	
D3		PA1	MTIOC0B/MTCLKC	SCK5/SSLA2	CVREFA
D7	MD				FINED
D8	RES#				
D9	XCOUT				
E1	VSS				
E2		PB1	MTIOC0C/MTIOC4C/TMC10	TXD6/SMOSI6/SSDA6	IRQ4-DS
E8	XTAL	P37			
E9	VSS				
F1	VCC				
F2		PB3	MTIOC0A/MTIOC4A/TMO0/ POE3#	SCK6	
F7		P31	MTIOC4D/TMC12	CTS1#/RTS1#/SS1#	IRQ1-DS/RTCIC1
F8	EXTAL	P36			
F9	VCC				
G1		PB5	MTIOC2A/MTIOC1B/TMR11/ POE1#	SCK9	
G2		PB6	MTIOC3D	RXD9/SMISO9/SSCL9	

Table 1.14 List of Pins and Pin Functions (69-Pin WLBGA) (2 / 2)

Pin No.	Power Supply, Clock, System Control	I/O Port	Timers (MTU, TMR, POE)	Communications (SCId, RSPI, RIIC)	Others
G3	NC				
G4		P54	MTIOC4B/TMC1		
G5		PH1	TMO0		IRQ0
G6		P14	MTIOC3A/MTCLKA/TMR12	CTS1#/RTS1#/SS1#	IRQ4
G7		P27	MTIOC2B/TMC13	SCK1	
G8		P32	MTIOC0C/TMO3	TXD6/SMOSI6/SSDA6	IRQ2-DS/RTCOUT/ RTCIC2
G9		P35			NMI
H1		PB7	MTIOC3B	TXD9/SMOSI9/SSDA9	
H2		PC3	MTIOC4D	TXD5/SMOSI5/SSDA5	
H3		PC5	MTIOC3B/MTCLKD/TMR12	SCK8/RSPCKA	
H4		PC6	MTIOC3C/MTCLKA/TMC12	RXD8/SMISO8/SSCL8/MOSIA	
H5		P55	MTIOC4D/TMO3		
H6		PH3	TMC10		
H7		P17	MTIOC3A/MTIOC3B/TMO1/ POE8#	SCK1/MISOA/SDA-DS	IRQ7
H8		P26	MTIOC2A/TMO1	TXD1/SMOSI1/SSDA1	
H9		P30	MTIOC4B/TMR13/POE8#	RXD1/SMISO1/SSCL1	IRQ0-DS/RTCIC0
J1	NC				
J2		PC2	MTIOC4B	RXD5/SMISO5/SSCL5/SSLA3	
J3		PC4	MTIOC3D/MTCLKC/TMC11/ POE0#	SCK5/CTS8#/RTS8#/SS8#/ SSLA0	
J4		PC7	MTIOC3A/TMO2/MTCLKB	TXD8/SMOSI8/SSDA8/MISOA	CACREF
J5		PH0			CACREF
J6		PH2	TMR10		IRQ1
J7		P15	MTIOC0B/MTCLKB/TMC12	RXD1/SMISO1/SSCL1	IRQ5
J8		P16	MTIOC3C/MTIOC3D/TMO2	TXD1/SMOSI1/SSDA1/ MOSIA/SCL-DS	IRQ6/RTCOUT/ ADTRG0#
J9	NC				

Note: • Pin names to which –DS is appended are for pins that can be used to trigger release from deep software standby mode.

Note: • Leave the NC pin open.

Table 1.15 List of Pins and Pin Functions (64-Pin TFLGA) (1 / 2)

Pin No.	Power Supply, Clock, System Control	I/O Port	Timers (MTU, TMR, POE)	Communication (SCId, SCId, RSPI, RIIC)	Others
A1		P05			DA1
A2	AVCC0				
A3	VREFH0				
A4	VREFL0				
A5	VREFH				
A6	VREFL				
A7		PE2	MTIOC4A	RXD12/RXD12/SMISO12/ SSCL12	IRQ7-DS/AN010/ CVREFB0
A8		PE3	MTIOC4B/POE8#	CTS12#/RTS12#/SS12#	AN011/CMPA1
B1	VCL				
B2	AVSS0				
B3		P40			AN000
B4		P42			AN002
B5		P44			AN004
B6		P46			AN006
B7		PE1	MTIOC4C	TXD12/TXD12/SIOX12/ SMOS12/SSDA12	AN009/CMPB0
B8		PE4	MTIOC4D/MTIOC1A		AN012/CMPA2
C1	XCIN				
C2	MD				FINED
C3		P03			DA0
C4		P41			AN001
C5		P43			AN003
C6		PE0		SCK12	AN008
C7		PE5	MTIOC4C/MTIOC2B		IRQ5/AN013
C8		PA0	MTIOC4A	SSLA1	CACREF
D1	XCOUT				
D2	RES#				
D3		P27	MTIOC2B/TMCI3	SCK1	
D4		P14	MTIOC3A/MTCLKA/TMRI2	CTS1#/RTS1#/SS1#	IRQ4
D5		PA6	MTIC5V/MTCLKB/TMCI3/ POE2#	CTS5#/RTS5#/SS5#/MOSIA	
D6		PA4	MTIC5U/MTCLKA/TMRI0	TXD5/SMOS15/SSDA5/SSLA0	IRQ5-DS/CVREFB1
D7		PA1	MTIOC0B/MTCLKC	SCK5/SSLA2	CVREFA
D8		PA3	MTIOC0D/MTCLKD	RXD5/SMISO5/SSCL5	IRQ6-DS/CMPB1
E1	VSS				
E2		P32	MTIOC0C/TMO3	TXD6/SMOS16/SSDA6	IRQ2-DS/RTCOUT/ RTCIC2
E3		P30	MTIOC4B/TMRI3/POE8#	RXD1/SMISO1/SSCL1	IRQ0-DS/RTCIC0
E4		P16	MTIOC3C/MTIOC3D/TMO2	TXD1/SMOS11/SSDA1/MOSIA/ SCL-DS	IRQ6/RTCOUT/ ADTRG0#
E5		PC4	MTIOC3D/MTCLKC/TMCI1/ POE0#	SCK5/CTS8#/RTS8#/SS8#/ SSLA0	
E6	VCC				
E7	VSS				
E8		PB0	MTIC5W	RXD6/SMISO6/SSCL6/RSPCKA	
F1	VCC				
F2		P35			NMI
F3		P31	MTIOC4D/TMCI2	CTS1#/RTS1#/SS1#	IRQ1-DS/RTCIC1
F4		PC5	MTIOC3B/MTCLKD/TMRI2	SCK8/RSPCKA	

Table 1.15 List of Pins and Pin Functions (64-Pin TFLGA) (2 / 2)

Pin No.	Power Supply, Clock, System Control	I/O Port	Timers (MTU, TMR, POE)	Communication (SCId, SCId, RSPI, RIIC)	Others
F5		P15	MTIOC0B/MTCLKB/TMCI2	RXD1/SMISO1/SSCL1	IRQ5
F6		PB1	MTIOC0C/MTIOC4C/TMCI0	TXD6/SMOSI6/SSDA6	IRQ4-DS
F7		PB5	MTIOC2A/MTIOC1B/TMRI1/ POE1#	SCK9	
F8		PB3	MTIOC0A/MTIOC4A/TMO0/ POE3#	SCK6	
G1	EXTAL	P36			
G2		P26	MTIOC2A/TMO1	TXD1/SMOSI1/SSDA1	
G3		PH3	TMCI0		
G4		PH0			CACREF
G5		PC7	MTIOC3A/TMO2/MTCLKB	TXD8/SMOSI8/SSDA8/MISOA	CACREF
G6		PC6	MTIOC3C/MTCLKA/TMCI2	RXD8/SMISO8/SSCL8/MOSIA	
G7		PC3	MTIOC4D	TXD5/SMOSI5/SSDA5	
G8		PB6	MTIOC3D	RXD9/SMISO9/SSCL9	
H1	XTAL	P37			
H2		P17	MTIOC3A/MTIOC3B/TMO1/ POE8#	SCK1/MISOA/SDA-DS	IRQ7
H3		PH2	TMRI0		IRQ1
H4		PH1	TMO0		IRQ0
H5		P55	MTIOC4D/TMO3		
H6		P54	MTIOC4B/TMCI1		
H7		PC2	MTIOC4B	RXD5/SMISO5/SSCL5/SSLA3	
H8		PB7	MTIOC3B	TXD9/SMOSI9/SSDA9	

Note: • Pin names to which -DS is appended are for pins that can be used to trigger release from deep software standby mode.

Table 1.16 List of Pins and Pin Functions (64-Pin LQFP) (1 / 2)

Pin No.	Power Supply, Clock, System Control	I/O Port	Timers (MTU, TMR, POE)	Communication (SCIC, SCID, RSPI, RIIC)	Others
1		P03			DA0
2	VCL				
3	MD				FINED
4	XCIN				
5	XCOUT				
6	RES#				
7	XTAL	P37			
8	VSS				
9	EXTAL	P36			
10	VCC				
11		P35			NMI
12		P32	MTIOC0C/TMO3	TXD6/SMOSI6/SSDA6	IRQ2-DS/RTCOUT/ RTCIC2
13		P31	MTIOC4D/TMCI2	CTS1#/RTS1#/SS1#	IRQ1-DS/RTCIC1
14		P30	MTIOC4B/TMRI3/POE8#	RXD1/SMISO1/SSCL1	IRQ0-DS/RTCIC0
15		P27	MTIOC2B/TMCI3	SCK1	
16		P26	MTIOC2A/TMO1	TXD1/SMOSI1/SSDA1	
17		P17	MTIOC3A/MTIOC3B/TMO1/ POE8#	SCK1/MISOA/SDA-DS	IRQ7
18		P16	MTIOC3C/MTIOC3D/TMO2	TXD1/SMOSI1/SSDA1/MOSIA/ SCL-DS	IRQ6/RTCOUT/ ADTRG0#
19		P15	MTIOC0B/MTCLKB/TMCI2	RXD1/SMISO1/SSCL1	IRQ5
20		P14	MTIOC3A/MTCLKA/TMRI2	CTS1#/RTS1#/SS1#	IRQ4
21		PH3	TMCI0		
22		PH2	TMRI0		IRQ1
23		PH1	TMO0		IRQ0
24		PH0			CACREF
25		P55	MTIOC4D/TMO3		
26		P54	MTIOC4B/TMCI1		
27		PC7	MTIOC3A/TMO2/MTCLKB	TXD8/SMOSI8/SSDA8/MISOA	CACREF
28		PC6	MTIOC3C/MTCLKA/TMCI2	RXD8/SMISO8/SSCL8/MOSIA	
29		PC5	MTIOC3B/MTCLKD/TMRI2	SCK8/RSPCKA	
30		PC4	MTIOC3D/MTCLKC/TMCI1/ POE0#	SCK5/CTS8#/RTS8#/SS8#/ SSLA0	
31		PC3	MTIOC4D	TXD5/SMOSI5/SSDA5	
32		PC2	MTIOC4B	RXD5/SMISO5/SSCL5/SSLA3	
33		PB7	MTIOC3B	TXD9/SMOSI9/SSDA9	
34		PB6	MTIOC3D	RXD9/SMISO9/SSCL9	
35		PB5	MTIOC2A/MTIOC1B/TMRI1/ POE1#	SCK9	
36		PB3	MTIOC0A/MTIOC4A/TMO0/ POE3#	SCK6	
37		PB1	MTIOC0C/MTIOC4C/TMCI0	TXD6/SMOSI6/SSDA6	IRQ4-DS
38	VCC				
39		PB0	MTIC5W	RXD6/SMISO6/SSCL6/RSPCKA	
40	VSS				
41		PA6	MTIC5V/MTCLKB/TMCI3/ POE2#	CTS5#/RTS5#/SS5#/MOSIA	
42		PA4	MTIC5U/MTCLKA/TMRI0	TXD5/SMOSI5/SSDA5/SSLA0	IRQ5-DS/CVREFB1
43		PA3	MTIOC0D/MTCLKD	RXD5/SMISO5/SSCL5	IRQ6-DS/CMPB1

Table 1.16 List of Pins and Pin Functions (64-Pin LQFP) (2 / 2)

Pin No.	Power Supply, Clock, System Control	I/O Port	Timers (MTU, TMR, POE)	Communication (SC1c, SC1d, RSPI, RIIC)	Others
44		PA1	MTIOC0B/MTCLKC	SCK5/SSLA2	CVREFA
45		PA0	MTIOC4A	SSLA1	CACREF
46		PE5	MTIOC4C/MTIOC2B		IRQ5/AN013
47		PE4	MTIOC4D/MTIOC1A		AN012/CMPA2
48		PE3	MTIOC4B/POE8#	CTS12#/RTS12#/SS12#	AN011/CMPA1
49		PE2	MTIOC4A	RXD12/RXDX12/SMISO12/ SSCL12	IRQ7-DS/AN010/ CVREFB0
50		PE1	MTIOC4C	TXD12/TXDX12/SIOX12/ SMOSI12/SSDA12	AN009/CMPB0
51		PE0		SCK12	AN008
52	VREFL				
53		P46			AN006
54	VREFH				
55		P44			AN004
56		P43			AN003
57		P42			AN002
58		P41			AN001
59	VREFL0				
60		P40			AN000
61	VREFH0				
62	AVCC0				
63		P05			DA1
64	AVSS0				

Note: • Pin names to which –DS is appended are for pins that can be used to trigger release from deep software standby mode.

Table 1.17 List of Pins and Pin Functions (48-Pin LQFP) (1 / 2)

Pin No.	Power Supply, Clock, System Control	I/O Port	Timers (MTU, TMR, POE)	Communication (SClC, SClD, RSPI, RIIC)	Others
1	VCL				
2	MD				FINED
3	RES#				
4	XTAL	P37			
5	VSS				
6	EXTAL	P36			
7	VCC				
8		P35			NMI
9		P31	MTIOC4D/TMCI2	CTS1#/RTS1#/SS1#	IRQ1-DS
10		P30	MTIOC4B/TMRI3/POE8#	RXD1/SMISO1/SSCL1	IRQ0-DS
11		P27	MTIOC2B/TMCI3	SCK1	
12		P26	MTIOC2A/TMO1	TXD1/SMOSI1/SSDA1	
13		P17	MTIOC3A/MTIOC3B/TMO1/ POE8#	SCK1/MISOA/SDA-DS	IRQ7
14		P16	MTIOC3C/MTIOC3D/TMO2	TXD1/SMOSI1/SSDA1/MOSIA/ SCL-DS	IRQ6/ADTRG0#
15		P15	MTIOC0B/MTCLKB/TMCI2	RXD1/SMISO1/SSCL1	IRQ5
16		P14	MTIOC3A/MTCLKA/TMRI2	CTS1#/RTS1#/SS1#	IRQ4
17		PH3	TMCI0		
18		PH2	TMRI0		IRQ1
19		PH1	TMO0		IRQ0
20		PH0			CACREF
21		PC7	MTIOC3A/TMO2/MTCLKB	TXD8/SMOSI8/SSDA8/MISOA	CACREF
22		PC6	MTIOC3C/MTCLKA/TMCI2	RXD8/SMISO8/SSCL8/MOSIA	
23		PC5	MTIOC3B/MTCLKD/TMRI2	SCK8/RSPCKA	
24		PC4	MTIOC3D/MTCLKC/TMCI1/ POE0#	SCK5/CTS8#/RTS8#/SS8#/ SSLA0	
25		PB5	MTIOC2A/MTIOC1B/TMRI1/ POE1#		
26		PB3	MTIOC0A/MTIOC4A/TMO0/ POE3#	SCK6	
27		PB1	MTIOC0C/MTIOC4C/TMCI0	TXD6/SMOSI6/SSDA6	IRQ4-DS
28	VCC				
29		PB0	MTIC5W	RXD6/SMISO6/SSCL6/RSPCKA	
30	VSS				
31		PA6	MTIC5V/MTCLKB/TMCI3/ POE2#	CTS5#/RTS5#/SS5#/MOSIA	
32		PA4	MTIC5U/MTCLKA/TMRI0	TXD5/SMOSI5/SSDA5/SSLA0	IRQ5-DS/CVREFB1
33		PA3	MTIOC0D/MTCLKD	RXD5/SMISO5/SSCL5	IRQ6-DS/CMPB1
34		PA1	MTIOC0B/MTCLKC	SCK5/SSLA2	CVREFA
35		PE4	MTIOC4D/MTIOC1A		AN012/CMPA2
36		PE3	MTIOC4B/POE8#	CTS12#/RTS12#	AN011/CMPA1
37		PE2	MTIOC4A	RXD12/RDX12/SSCL12	IRQ7-DS/AN010/ CVREFB0
38		PE1	MTIOC4C	TXD12/TDX12/SIOX12/ SSDA12	AN009/CMPB0
39	VREFL				
40		P46			AN006
41	VREFH				
42		P42			AN002
43		P41			AN001

Table 1.17 List of Pins and Pin Functions (48-Pin LQFP) (2 / 2)

Pin No.	Power Supply, Clock, System Control	I/O Port	Timers (MTU, TMR, POE)	Communication (SClC, SClD, RSPI, RIIC)	Others
44	VREFL0				
45		P40			AN000
46	VREFH0				
47	AVCC0				
48	AVSS0				

Note: • Pin names to which –DS is appended are for pins that can be used to trigger release from deep software standby mode.

2. CPU

The RX210 Group is an MCU with the high-speed, high-performance RX CPU as its core.

A variable-length instruction format has been adopted for the RX CPU. Allocating the more frequently used instructions to the shorter instruction lengths facilitates the development of efficient programs that take up less memory.

The CPU has 73 basic instructions and nine DSP instructions, for a total of 82 instructions. It has 10 addressing modes and caters to register–register operations, register–memory operations, immediate–register operations, immediate–memory operations, memory–memory transfer, and bitwise operations. High-speed operation was realized by achieving execution in a single cycle not only for register–register operations, but also for other types of multiple instructions. The CPU includes an internal multiplier and an internal divider for high-speed multiplication and division.

The RX CPU has a five-stage pipeline for processing instructions. The stages are instruction fetching, instruction decoding, execution, memory access, and write-back. In cases where pipeline processing is drawn-out by memory access, subsequent operations may in fact be executed earlier. By adopting “out-of-order completion” of this kind, the execution of instructions is controlled to optimize numbers of clock cycles.

2.1 Features

- High instruction execution rate: One instruction in one clock cycle
- Address space: 4-Gbyte linear
- Register set of the CPU
 - General purpose: Sixteen 32-bit registers
 - Control: Eight 32-bit registers
 - Accumulator: One 64-bit register
- Basic instructions: 73 (arithmetic/logic instructions, data-transfer instructions, branch instructions, bit-manipulation instructions, string-manipulation instructions, and system-manipulation instructions)
 - Relative branch instructions to suit branch distances
 - Variable-length instruction format (lengths from one to eight bytes)
 - Short formats for frequently used instructions
- DSP instructions: 9
 - Supports 16-bit × 16-bit multiplication and multiply-and-accumulate operations.
 - Rounds the data in the accumulator.
- Addressing modes: 10
- Five-stage pipeline
 - Adoption of “out-of-order completion”
- Processor modes
 - A supervisor mode and a user mode are supported.
- Data arrangement
 - Selectable as little endian or big endian

2.2 Register Set of the CPU

The RX CPU has sixteen general-purpose registers, eight control registers, and one accumulator used for DSP instructions.

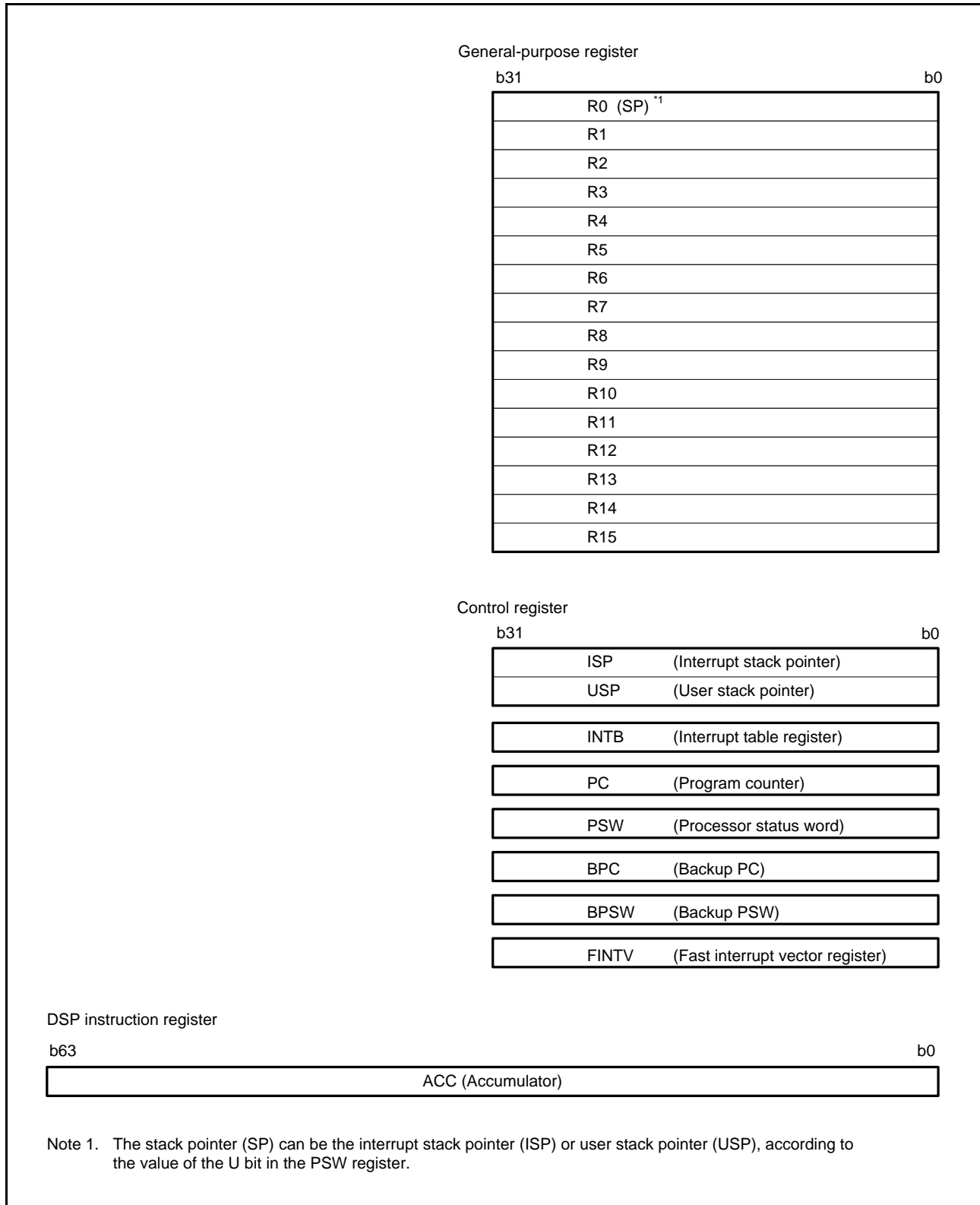


Figure 2.1 Register Set of the CPU

2.2.1 General-Purpose Registers (R0 to R15)

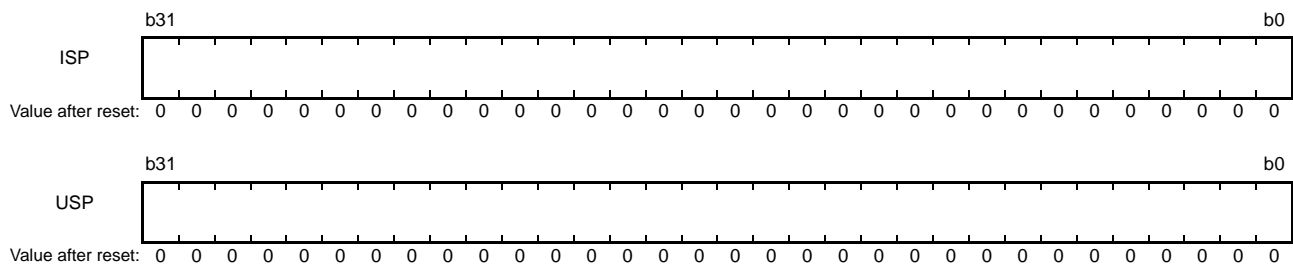
This CPU has sixteen general-purpose registers (R0 to R15). R1 to R15 can be used as data registers or address registers. R0, a general-purpose register, also functions as the stack pointer (SP). The stack pointer is switched to operate as the interrupt stack pointer (ISP) or user stack pointer (USP) by the value of the stack pointer select bit (U) in the processor status word (PSW).

2.2.2 Control Registers

This CPU has the following eight control registers.

- Interrupt stack pointer (ISP)
- User stack pointer (USP)
- Interrupt table register (INTB)
- Program counter (PC)
- Processor status word (PSW)
- Backup PC (BPC)
- Backup PSW (BPSW)
- Fast interrupt vector register (FINTV)

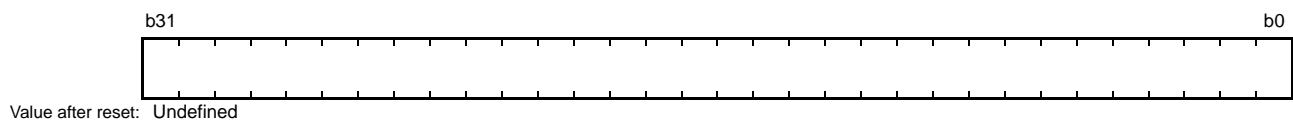
2.2.2.1 Interrupt Stack Pointer (ISP)/User Stack Pointer (USP)



The stack pointer (SP) can be either of two types, the interrupt stack pointer (ISP) or the user stack pointer (USP). Whether the stack pointer operates as the ISP or USP depends on the value of the stack pointer select bit (U) in the processor status word (PSW).

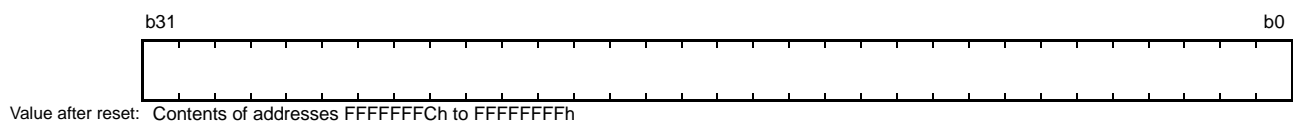
Set the ISP or USP to a multiple of four, as this reduces the numbers of cycles required to execute interrupt sequences and instructions entailing stack manipulation.

2.2.2.2 Interrupt Table Register (INTB)



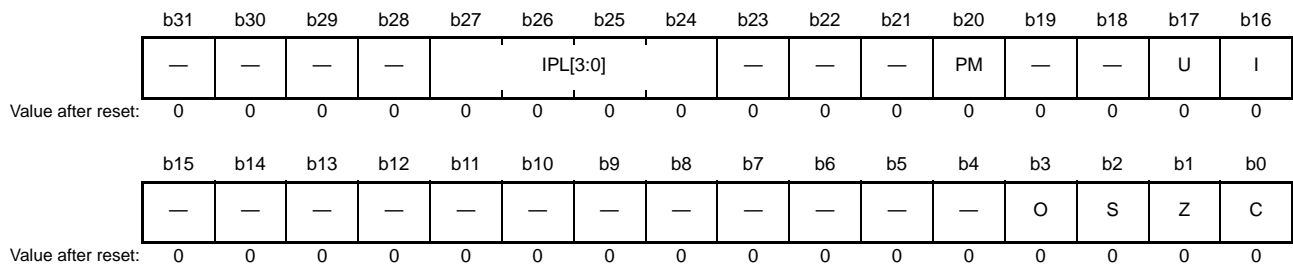
The interrupt table register (INTB) specifies the address where the relocatable vector table starts.

2.2.2.3 Program Counter (PC)



The program counter (PC) indicates the address of the instruction being executed.

2.2.2.4 Processor Status Word (PSW)



Bit	Symbol	Bit Name	Description	R/W
b0	C	Carry Flag	0: No carry has occurred. 1: A carry has occurred.	R/W
b1	Z	Zero Flag	0: Result is non-zero. 1: Result is 0.	R/W
b2	S	Sign Flag	0: Result is a positive value or 0. 1: Result is a negative value.	R/W
b3	O	Overflow Flag	0: No overflow has occurred. 1: An overflow has occurred.	R/W
b15 to b4	—	Reserved	These bits are read as 0. The write value should be 0.	R/W
b16	I*1	Interrupt Enable	0: Interrupt disabled. 1: Interrupt enabled.	R/W
b17	U*1	Stack Pointer Select	0: Interrupt stack pointer (ISP) is selected. 1: User stack pointer (USP) is selected.	R/W
b19, b18	—	Reserved	These bits are read as 0. The write value should be 0.	R/W
b20	PM*1,*2,*3	Processor Mode Select	0: Supervisor mode is selected. 1: User mode is selected.	R/W
b23 to b21	—	Reserved	These bits are read as 0. The write value should be 0.	R/W
b27 to b24	IPL[3:0]*1	Processor Interrupt Priority Level	b27 b24 0 0 0 0: Priority level 0 (lowest) 0 0 0 1: Priority level 1 0 0 1 0: Priority level 2 0 0 1 1: Priority level 3 0 1 0 0: Priority level 4 0 1 0 1: Priority level 5 0 1 1 0: Priority level 6 0 1 1 1: Priority level 7 1 0 0 0: Priority level 8 1 0 0 1: Priority level 9 1 0 1 0: Priority level 10 1 0 1 1: Priority level 11 1 1 0 0: Priority level 12 1 1 0 1: Priority level 13 1 1 1 0: Priority level 14 1 1 1 1: Priority level 15 (highest)	R/W
b31 to b28	—	Reserved	These bits are read as 0. The write value should be 0.	R/W

Note 1. In user mode, writing to the IPL[3:0], PM, U, and I bits by an MVTC or a POPC instruction is ignored. Writing to the IPL[3:0] bits by an MVTIPL instruction generates a privileged instruction exception.

Note 2. In supervisor mode, writing to the PM bit by an MVTC or a POPC instruction is ignored, but writing to the other bits is possible.

Note 3. Switching from supervisor mode to user mode requires execution of an RTE instruction after having set the PSW.PM bit saved on the stack to 1 or executing an RTFI instruction after having set the BPSW.PM bit to 1.

The processor status word (PSW) indicates the results of instruction execution or the state of the CPU.

C Flag (Carry Flag)

This flag indicates whether a carry, borrow, or shift-out has occurred as the result of an operation.

Z Flag (Zero Flag)

This flag indicates that the result of an operation was 0.

S Flag (Sign Flag)

This flag indicates that the result of an operation was negative.

O Flag (Overflow Flag)

This flag indicates that an overflow occurred during an operation.

I Bit (Interrupt Enable)

This bit enables interrupt requests. When an exception is accepted, the value of this bit becomes 0.

U Bit (Stack Pointer Select)

This bit specifies the stack pointer as either the ISP or USP. When an exception request is accepted, this bit is set to 0. When the processor mode is switched from supervisor mode to user mode, this bit is set to 1.

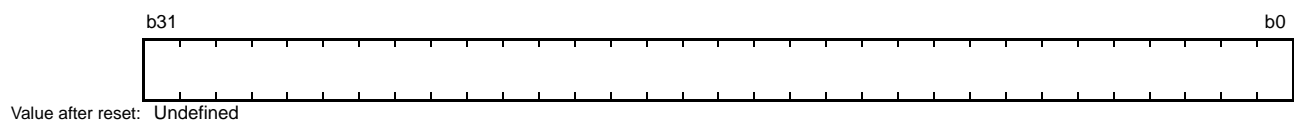
PM Bit (Processor Mode Select)

This bit specifies the processor mode. When an exception is accepted, the value of this bit becomes 0.

IPL[3:0] Bits (Processor Interrupt Priority Level)

The IPL[3:0] bits specify the processor interrupt priority level as one of sixteen levels from zero to fifteen, wherein priority level zero is the lowest and priority level fifteen the highest. When the priority level of a requested interrupt is higher than the processor interrupt priority level, the interrupt is enabled. Setting the IPL[3:0] bits to level fifteen (Fh) disables all interrupt requests. The IPL[3:0] bits are set to level fifteen (Fh) when a non-maskable interrupt is generated. When interrupts in general are generated, the bits are set to the priority levels of accepted interrupts.

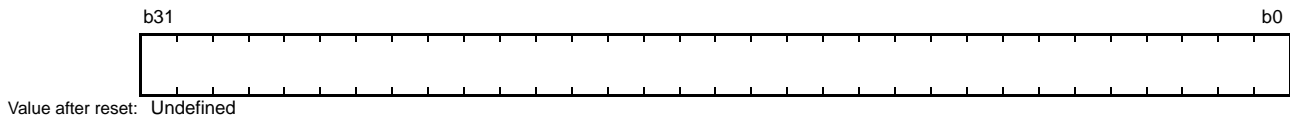
2.2.2.5 Backup PC (BPC)



The backup PC (BPC) is provided to speed up response to interrupts.

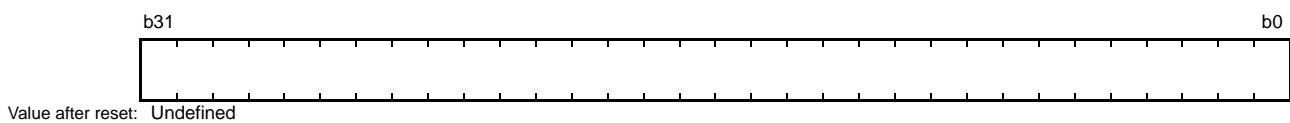
After a fast interrupt has been generated, the contents of the program counter (PC) are saved in the BPC register.

2.2.2.6 Backup PSW (BPSW)



The backup PSW (BPSW) is provided to speed up response to interrupts. After a fast interrupt has been generated, the contents of the processor status word (PSW) are saved in the BPSW. The allocation of bits in the BPSW corresponds to that in the PSW.

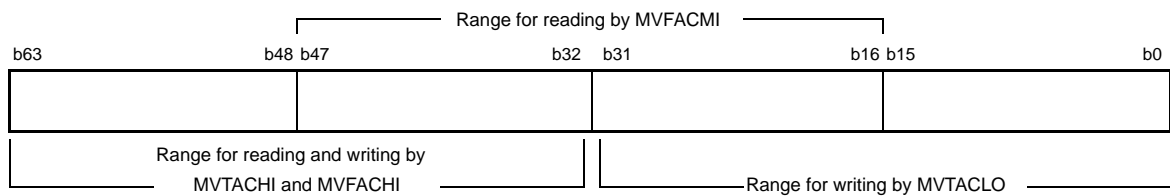
2.2.2.7 Fast Interrupt Vector Register (FINTV)



The fast interrupt vector register (FINTV) is provided to speed up response to interrupts. The FINTV register specifies a branch destination address when a fast interrupt has been generated.

2.2.3 Register Associated with DSP Instructions

2.2.3.1 Accumulator (ACC)



Value after reset: Undefined

The accumulator (ACC) is a 64-bit register used for DSP instructions. The accumulator is also used for the multiply and multiply-and-accumulate instructions; EMUL, EMULU, MUL, and RMPA, in which case the prior value in the accumulator is modified by execution of the instruction.

Use the MVTACHI and MVTACLO instructions for writing to the accumulator. The MVTACHI and MVTACLO instructions write data to the higher-order 32 bits (bits 63 to 32) and the lower-order 32 bits (bits 31 to 0), respectively. Use the MVFACHI and MVFACMI instructions for reading data from the accumulator. The MVFACHI and MVFACMI instructions read data from the higher-order 32 bits (bits 63 to 32) and the middle 32 bits (bits 47 to 16), respectively.

2.3 Processor Mode

The RX CPU supports two processor modes, supervisor and user. These processor modes enable the realization of a hierarchical CPU resource protection.

Each processor mode imposes a level on rights of access to the CPU resources and the instructions that can be executed. Supervisor mode carries greater rights than those of user mode.

The initial state after a reset is supervisor mode.

2.3.1 Supervisor Mode

In supervisor mode, all CPU resources are accessible and all instructions are available. However, writing to the processor mode select bit (PM) in the processor status word (PSW) by executing an MVTC or a POPC instruction will be ignored. For details on how to write to the PM bit, refer to section 2.2.2.4, Processor Status Word (PSW).

2.3.2 User Mode

In user mode, write access to the CPU resources listed below is restricted. The restriction applies to any instruction capable of write access.

- Some bits (bits IPL[3:0], PM, U, and I) in the processor status word (PSW)
- Interrupt stack pointer (ISP)
- Interrupt table register (INTB)
- Backup PSW (BPSW)
- Backup PC (BPC)
- Fast interrupt vector register (FINTV)

2.3.3 Privileged Instruction

Privileged instructions can only be executed in supervisor mode. Executing a privileged instruction in user mode produces a privileged instruction exception. Privileged instructions include the RTFI, MVTIPL, RTE, and WAIT instructions.

2.3.4 Switching between Processor Modes

Manipulating the processor mode select bit (PM) in the processor status word (PSW) switches the processor mode. However, rewriting to the PM bit by executing an MVTC or a POPC instruction is prohibited. Switch the processor mode by following the procedures described below.

(1) Switching from user mode to supervisor mode

After an exception has been generated, the PSW.PM bit is set to 0 and the CPU switches to supervisor mode. The hardware pre-processing is executed in supervisor mode. The state of the processor mode before the exception was generated is retained in the copy of PSW.PM bit is saved on the stack.

(2) Switching from supervisor mode to user mode

Executing an RTE instruction when the value of the copy of the PSW.PM bit that has been preserved on the stack is 1 or an RTFI instruction when the value of the copy of the PSW.PM bit that has been preserved in the backup PSW (BPSW) is 1 causes a transition to user mode. In the transition to user mode, the value of the stack pointer designation bit (the U bit in the PSW) becomes 1.

2.4 Data Types

The RX CPU can handle three types of data: integer, bit, and string.
For details, refer to RX Family User's Manual: Software.

2.5 Endian

For the RX CPU, instructions are little endian, but the data arrangement is selectable as little or big endian.

2.5.1 Switching the Endian

As arrangements of bytes, the RX210 Group supports both big endian, where the higher-order byte (MSB) is at location 0, and little endian, where the lower-order byte (LSB) is at location 0.

For details on the endian setting, see section 3, Operating Modes.

Operations for access differ according to the endian setting and, depending on the instruction, whether 8-, 16- or 32-bit access has been selected. Operations for access in the various possible cases are described in Table 2.1 to Table 2.12.

In the tables,

- LL indicates bits D7 to D0 of the general-purpose register,
- LH indicates bits D15 to D8 of the general-purpose register,
- HL indicates bits D23 to D16 of the general-purpose register, and
- HH indicates bits D31 to D24 of the general-purpose register.

	D31 to D24	D23 to D16	D15 to D8	D7 to D0
General purpose register: Rm	HH	HL	LH	LL

Table 2.1 32-Bit Read Operations when Little Endian has been Selected

Operation Address of src	Reading a 32-bit unit from address 0	Reading a 32-bit unit from address 1	Reading a 32-bit unit from address 2	Reading a 32-bit unit from address 3	Reading a 32-bit unit from address 4
Address 0	Transfer to LL	—	—	—	—
Address 1	Transfer to LH	Transfer to LL	—	—	—
Address 2	Transfer to HL	Transfer to LH	Transfer to LL	—	—
Address 3	Transfer to HH	Transfer to HL	Transfer to LH	Transfer to LL	—
Address 4	—	Transfer to HH	Transfer to HL	Transfer to LH	Transfer to LL
Address 5	—	—	Transfer to HH	Transfer to HL	Transfer to LH
Address 6	—	—	—	Transfer to HH	Transfer to HL
Address 7	—	—	—	—	Transfer to HH

Table 2.2 32-Bit Read Operations when Big Endian has been Selected

Operation Address of src	Reading a 32-bit unit from address 0	Reading a 32-bit unit from address 1	Reading a 32-bit unit from address 2	Reading a 32-bit unit from address 3	Reading a 32-bit unit from address 4
Address 0	Transfer to HH	—	—	—	—
Address 1	Transfer to HL	Transfer to HH	—	—	—
Address 2	Transfer to LH	Transfer to HL	Transfer to HH	—	—
Address 3	Transfer to LL	Transfer to LH	Transfer to HL	Transfer to HH	—
Address 4	—	Transfer to LL	Transfer to LH	Transfer to HL	Transfer to HH
Address 5	—	—	Transfer to LL	Transfer to LH	Transfer to HL
Address 6	—	—	—	Transfer to LL	Transfer to LH
Address 7	—	—	—	—	Transfer to LL

Table 2.3 32-Bit Write Operations when Little Endian has been Selected

Operation Address of dest	Writing a 32-bit unit to address 0	Writing a 32-bit unit to address 1	Writing a 32-bit unit to address 2	Writing a 32-bit unit to address 3	Writing a 32-bit unit to address 4
Address 0	Transfer from LL	—	—	—	—
Address 1	Transfer from LH	Transfer from LL	—	—	—
Address 2	Transfer from HL	Transfer from LH	Transfer from LL	—	—
Address 3	Transfer from HH	Transfer from HL	Transfer from LH	Transfer from LL	—
Address 4	—	Transfer from HH	Transfer from HL	Transfer from LH	Transfer from LL
Address 5	—	—	Transfer from HH	Transfer from HL	Transfer from LH
Address 6	—	—	—	Transfer from HH	Transfer from HL
Address 7	—	—	—	—	Transfer from HH

Table 2.4 32-Bit Write Operations when Big Endian has been Selected

Operation Address of dest	Writing a 32-bit unit to address 0	Writing a 32-bit unit to address 1	Writing a 32-bit unit to address 2	Writing a 32-bit unit to address 3	Writing a 32-bit unit to address 4
Address 0	Transfer from HH	—	—	—	—
Address 1	Transfer from HL	Transfer from HH	—	—	—
Address 2	Transfer from LH	Transfer from HL	Transfer from HH	—	—
Address 3	Transfer from LL	Transfer from LH	Transfer from HL	Transfer from HH	—
Address 4	—	Transfer from LL	Transfer from LH	Transfer from HL	Transfer from HH
Address 5	—	—	Transfer from LL	Transfer from LH	Transfer from HL
Address 6	—	—	—	Transfer from LL	Transfer from LH
Address 7	—	—	—	—	Transfer from LL

Table 2.5 16-Bit Read Operations when Little Endian has been Selected

Operation Address of src	Reading a 16-bit unit from address 0	Reading a 16-bit unit from address 1	Reading a 16-bit unit from address 2	Reading a 16-bit unit from address 3	Reading a 16-bit unit from address 4	Reading a 16-bit unit from address 5	Reading a 16-bit unit from address 6
Address 0	Transfer to LL	—	—	—	—	—	—
Address 1	Transfer to LH	Transfer to LL	—	—	—	—	—
Address 2	—	Transfer to LH	Transfer to LL	—	—	—	—
Address 3	—	—	Transfer to LH	Transfer to LL	—	—	—
Address 4	—	—	—	Transfer to LH	Transfer to LL	—	—
Address 5	—	—	—	—	Transfer to LH	Transfer to LL	—
Address 6	—	—	—	—	—	Transfer to LH	Transfer to LL
Address 7	—	—	—	—	—	—	Transfer to LH

Table 2.6 16-Bit Read Operations when Big Endian has been Selected

Operation Address of src	Reading a 16-bit unit from address 0	Reading a 16-bit unit from address 1	Reading a 16-bit unit from address 2	Reading a 16-bit unit from address 3	Reading a 16-bit unit from address 4	Reading a 16-bit unit from address 5	Reading a 16-bit unit from address 6
Address 0	Transfer to LH	—	—	—	—	—	—
Address 1	Transfer to LL	Transfer to LH	—	—	—	—	—
Address 2	—	Transfer to LL	Transfer to LH	—	—	—	—
Address 3	—	—	Transfer to LL	Transfer to LH	—	—	—
Address 4	—	—	—	Transfer to LL	Transfer to LH	—	—
Address 5	—	—	—	—	Transfer to LL	Transfer to LH	—
Address 6	—	—	—	—	—	Transfer to LL	Transfer to LH
Address 7	—	—	—	—	—	—	Transfer to LL

Table 2.7 16-Bit Write Operations when Little Endian has been Selected

Operation Address of dest	Writing a 16-bit unit to address 0	Writing a 16-bit unit to address 1	Writing a 16-bit unit to address 2	Writing a 16-bit unit to address 3	Writing a 16-bit unit to address 4	Writing a 16-bit unit to address 5	Writing a 16-bit unit to address 6
Address 0	Transfer from LL	—	—	—	—	—	—
Address 1	Transfer from LH	Transfer from LL	—	—	—	—	—
Address 2	—	Transfer from LH	Transfer from LL	—	—	—	—
Address 3	—	—	Transfer from LH	Transfer from LL	—	—	—
Address 4	—	—	—	Transfer from LH	Transfer from LL	—	—
Address 5	—	—	—	—	Transfer from LH	Transfer from LL	—
Address 6	—	—	—	—	—	Transfer from LH	Transfer from LL
Address 7	—	—	—	—	—	—	Transfer from LH

Table 2.8 16-Bit Write Operations when Big Endian has been Selected

Operation Address of dest	Writing a 16-bit unit to address 0	Writing a 16-bit unit to address 1	Writing a 16-bit unit to address 2	Writing a 16-bit unit to address 3	Writing a 16-bit unit to address 4	Writing a 16-bit unit to address 5	Writing a 16-bit unit to address 6
Address 0	Transfer from LH	—	—	—	—	—	—
Address 1	Transfer from LL	Transfer from LH	—	—	—	—	—
Address 2	—	Transfer from LL	Transfer from LH	—	—	—	—
Address 3	—	—	Transfer from LL	Transfer from LH	—	—	—
Address 4	—	—	—	Transfer from LL	Transfer from LH	—	—
Address 5	—	—	—	—	Transfer from LL	Transfer from LH	—
Address 6	—	—	—	—	—	Transfer from LL	Transfer from LH
Address 7	—	—	—	—	—	—	Transfer from LL

Table 2.9 8-Bit Read Operations when Little Endian has been Selected

Operation Address of src	Reading an 8-bit unit from address 0	Reading an 8-bit unit from address 1	Reading an 8-bit unit from address 2	Reading an 8-bit unit from address 3
Address 0	Transfer to LL	—	—	—
Address 1	—	Transfer to LL	—	—
Address 2	—	—	Transfer to LL	—
Address 3	—	—	—	Transfer to LL

Table 2.10 8-Bit Read Operations when Big Endian has been Selected

Operation Address of src	Reading an 8-bit unit from address 0	Reading an 8-bit unit from address 1	Reading an 8-bit unit from address 2	Reading an 8-bit unit from address 3
Address 0	Transfer to LL	—	—	—
Address 1	—	Transfer to LL	—	—
Address 2	—	—	Transfer to LL	—
Address 3	—	—	—	Transfer to LL

Table 2.11 8-Bit Write Operations when Little Endian has been Selected

Operation Address of dest	Writing an 8-bit unit to address 0	Writing an 8-bit unit to address 1	Writing an 8-bit unit to address 2	Writing an 8-bit unit to address 3
Address 0	Transfer from LL	—	—	—
Address 1	—	Transfer from LL	—	—
Address 2	—	—	Transfer from LL	—
Address 3	—	—	—	Transfer from LL

Table 2.12 8-Bit Write Operations when Big Endian has been Selected

Operation Address of dest	Writing an 8-bit unit to address 0	Writing an 8-bit unit to address 1	Writing an 8-bit unit to address 2	Writing an 8-bit unit to address 3
Address 0	Transfer from LL	—	—	—
Address 1	—	Transfer from LL	—	—
Address 2	—	—	Transfer from LL	—
Address 3	—	—	—	Transfer from LL

2.5.2 Access to I/O Registers

The addresses of I/O registers are fixed, and this is regardless of whether the setting is for little endian or big endian. Accordingly, changes to the endian do not affect access to I/O registers. For the arrangements of I/O registers, refer to the descriptions of registers in the relevant sections.

2.5.3 Notes on Access to I/O Registers

Ensure that access to I/O registers is in accord with the following rules.

- With I/O registers for which a bus width of eight bits is indicated, use instructions having operands of the same width (eight bits). That is, access these registers by using instructions with `.B` as the size specifier (`.size`), or with `.B` or `.UB` as the size-extension specifier (`.memex`).
- With I/O registers for which a bus width of 16 bits is indicated, use instructions having operands of the same width (16 bits). That is, access these registers by using instructions with `.W` as the size specifier (`.size`), or with `.W` or `.UW` as the size-extension specifier (`.memex`).
- With I/O registers for which a bus width of 32 bits is indicated, use instructions having operands of the same width (32 bits). That is, access these registers by using instructions with `.L` as the size specifier (`.size`), or with `.L` size-extension specifier (`.memex`).

2.5.4 Data Arrangement

2.5.4.1 Data Arrangement in Registers

Figure 2.2 shows the relation between the sizes of registers and bit numbers.

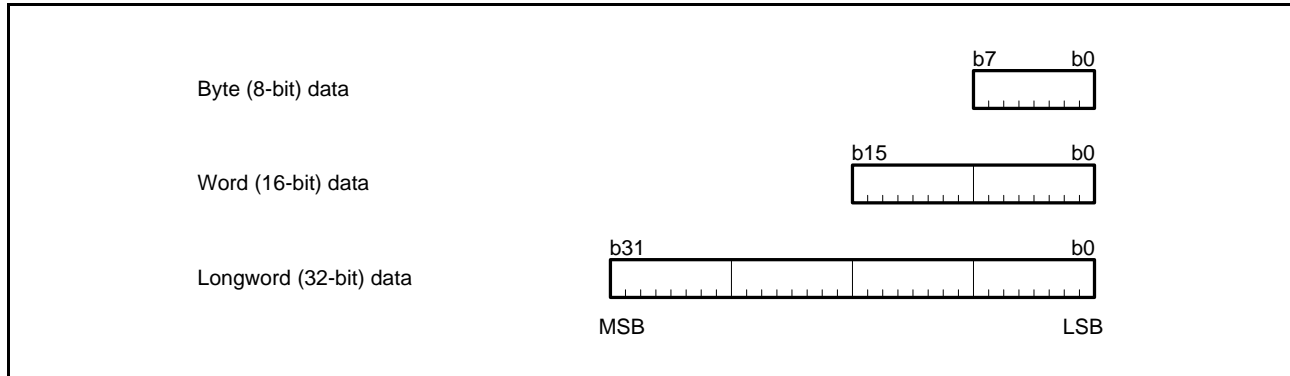


Figure 2.2 Data Arrangement in Registers

2.5.4.2 Data Arrangement in Memory

Data in memory have three sizes: byte (8-bit), word (16-bit), and longword (32-bit). The data arrangement is selectable as little endian or big endian. Figure 2.3 shows the arrangement of data in memory.

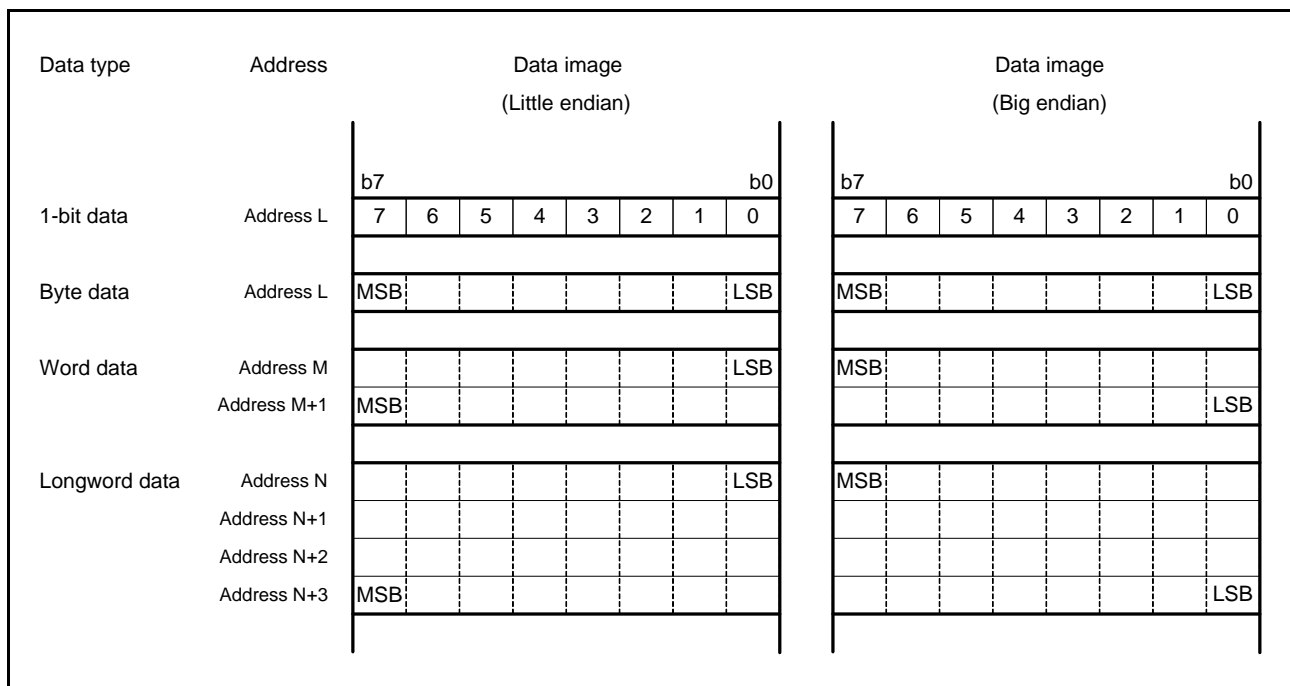


Figure 2.3 Data Arrangement in Memory

2.5.5 Notes on the Allocation of Instruction Codes

The allocation of instruction codes to an external space where the endian differs from that of the chip is prohibited. If the instruction codes are allocated to the external space, they must be allocated to areas where the endian setting is the same as that for the chip.

2.6 Vector Table

There are two types of vector table: fixed and relocatable. Each vector in the vector table consists of four bytes and specifies the address where the corresponding exception handling routine starts.

2.6.1 Fixed Vector Table

The fixed vector table is allocated to a fixed address range. The individual vectors for the privileged instruction exception, undefined instruction exception, non-maskable interrupt, and reset are allocated to addresses in the range from FFFFFFFF80h to FFFFFFFFh. Figure 2.4 shows the fixed vector table.

	MSB	LSB
FFFFFFF80h	(Reserved)	
⋮	⋮	
FFFFFFFCCh	(Reserved)	
FFFFFFFD0h	Privileged instruction exception	
FFFFFFFD4h	(Reserved)	
FFFFFFFD8h	(Reserved)	
FFFFFFFDCh	Undefined instruction exception	
FFFFFFFE0h	(Reserved)	
FFFFFFFE4h	(Reserved)	
FFFFFFFE8h	(Reserved)	
FFFFFFFECh	(Reserved)	
FFFFFFF0h	(Reserved)	
FFFFFFF4h	(Reserved)	
FFFFFFF8h	Non-maskable interrupt	
FFFFFFFCh	Reset	

Figure 2.4 Fixed Vector Table

2.6.2 Relocatable Vector Table

The address where the relocatable vector table is placed can be adjusted. The table is a 1,024-byte region that contains all vectors for unconditional traps and interrupts and starts at the address (IntBase) specified in the interrupt table register (INTB). Figure 2.5 shows the relocatable vector table.

Each vector in the relocatable vector table has a vector number from 0 to 255. Each of the INT instructions, which act as the sources of unconditional traps, is allocated to the vector that has the same number as is specified as the operand of the instruction itself (from 0 to 255). The BRK instruction is allocated to the vector with number 0. Furthermore, vector numbers (from 0 to 255) are allocated to interrupt requests in a fixed way for each product. For more on interrupt vector numbers, see section 14.3.1, Interrupt Vector Table.

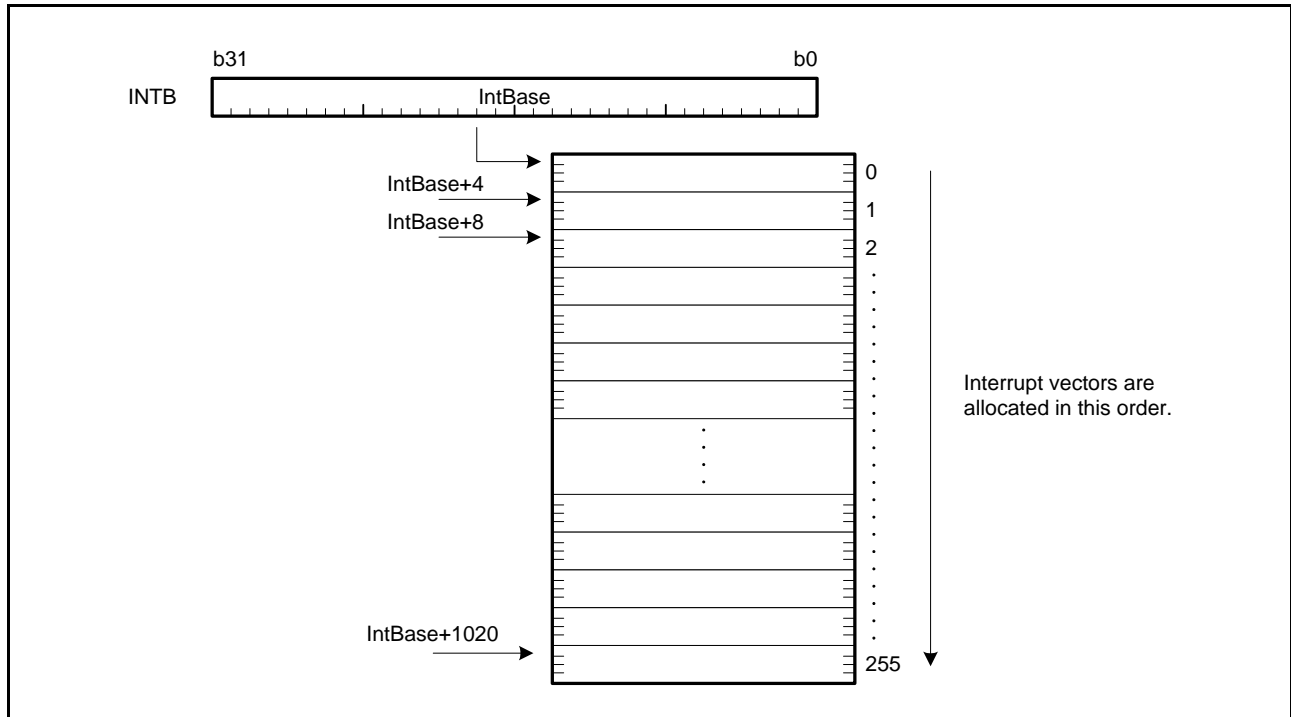


Figure 2.5 Relocatable Vector Table

2.7 Operation of Instructions

2.7.1 Data Prefetching by the RMPA Instruction and the String-Manipulation Instructions

The RMPA instruction and the string-manipulation instructions except the SSTR instruction (that is, SCMPU, SMOVB, SMOVF, SMOVU, SUNTIL, and SWHILE instructions) may prefetch data from the memory to speed up the read processing. Data is prefetched from the prefetching start position with three bytes as the upper limit. The prefetching start positions of each operation are shown below.

- RMPA instruction: The multiplicand address specified by R1, and the multiplier address specified by R2
- SCMPU instruction: The source address specified by R1 for comparison, and the destination address specified by R2 for comparison
- SUNTIL and SWHILE instructions: The destination address specified by R1 for comparison
- SMOVB, SMOVF, and SMOVU instructions: The source address specified by R2 for transfer

2.8 Pipeline

2.8.1 Overview

The RX CPU has 5-stage pipeline structure. The RX CPU instruction is converted into one or more micro-operations, which are then executed in pipeline processing. In the pipeline stage, the IF stage is executed in the unit of instructions, while the D and subsequent stages are executed in the unit of micro-operations.

The operation of pipeline and respective stages is described below.

(1) IF stage (instruction fetch stage)

In the IF stage, the CPU fetches instructions from the memory. As the RX CPU has four 4-byte instruction queues, it fetches instructions until the instruction queue is full, regardless of the completion of decoding in the D (decoding) stage.

(2) D stage (decoding stage)

The CPU decodes instructions in the D stage and converts them into micro-operations. The CPU reads the register information (RF) in this stage and executes a bypass process (BYP) if the result of the preceding instruction will be used in a subsequent instruction. The write of operation result to the register (RW) can be executed with the register reference by using the bypass process.

(3) E stage (execution stage)

Operations and address calculations (OP) are processed in the E stage.

(4) M stage (memory access stage)

Operand memory accesses (OA1, OA2) are processed in the M stage. This stage is used only when the memory is accessed, and is divided into two sub-stages, M1 and M2. The RX CPU enables respective memory accesses for M1 and M2.

- M1 stage (memory-access stage 1)

Operand memory access (OA1) is processed.

Store operation: The pipeline processing ends when a write request is received via the bus.

Load operation: The operation proceeds to the M2 stage when a read request is received via the bus. If a request and load data are received at the same timing (no-wait memory access), the operation proceeds to the WB stage.

- M2 stage (memory-access stage 2)

Operand memory access (OA2) is processed. The CPU waits for the load data in the M2 stage. When the load data is received, the operation proceeds to the WB stage.

(5) WB stage (write-back stage)

The operation result and the data read from memory are written to the register (RW) in the WB stage. The data read from memory and the other type of data, such as the operation result, can be written to the register in the same clock cycles.

Figure 2.6 shows the pipeline configuration and its operation.

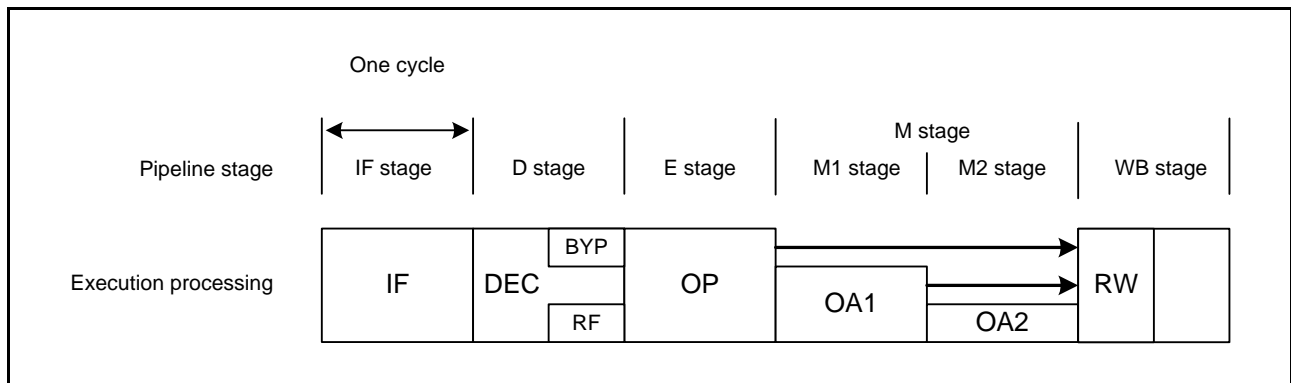


Figure 2.6 Pipeline Configuration and its Operation

2.8.2 Instructions and Pipeline Processing

The operands in the table below indicate the following meaning.

#IMM: Immediate

flag: bit, flag

Rs, Rs2, Rd, Rd2, Ri, Rb: General-purpose register

CR: Control register

dsp: displacement

pcdsp: displacement

2.8.2.1 Instructions Converted into Single Micro-Operation and Pipeline Processing

The table below lists the instructions that are converted into a single micro-operation. The number of cycles in the table indicates the number of cycles during no-wait memory access.

Table 2.13 Instructions that are Converted into a Single Micro-Operation

Instruction	Mnemonic (indicates the common operation when the size is omitted)	Reference Figure	Number of Cycles
Arithmetic/logic instructions (register-register, immediate-register) Except EMUL, EMULU, RMPA, DIV, DIVU and SATR	<ul style="list-style-type: none"> • {ABS, NEG, NOT} "Rd"/"Rs, Rd" • {ADC, MAX, MIN, ROTL, ROTR, XOR} "#IMM, Rd"/"Rs, Rd" • ADD "#IMM, Rd"/"Rs, Rd"/"#IMM, Rs, Rd"/"Rs, Rs2, Rd" • {AND, MUL, OR, SUB} "#IMM, Rd"/"Rs, Rd"/"Rs, Rs2, Rd" • {CMP, TST} "#IMM, Rs"/"Rs, Rs2" • NOP • {ROL, ROR, SAT} "Rd" • SBB "Rs, Rd" • {SHAR, SHLL, SHLR} "#IMM, Rd"/"Rs, Rd"/"#IMM, Rs, Rd" 	Figure 2.7	1
Arithmetic/logic instructions (division)	<ul style="list-style-type: none"> • DIV "#IMM, Rd"/"Rs, Rd" • DIVU "#IMM, Rd"/"Rs, Rd" 	Figure 2.7	3 to 20* ¹ 2 to 18* ¹
Data transfer instructions (register-register, immediate-register)	<ul style="list-style-type: none"> • MOV "#IMM, Rd"/"Rs, Rd" • {MOVU, REVL, REVW} "Rs, Rd" • SCCnd "Rd" • {STNZ, STZ} "#IMM, Rd" 	Figure 2.7	1
Transfer instructions (load operation)	<ul style="list-style-type: none"> • {MOV, MOVU} "[Rs], Rd"/"dsp[Rs], Rd"/"[Rs+], Rd"/"[-Rs], Rd"/"[Ri, Rb], Rd" • POP "Rd" 	Figure 2.8	Throughput: 1 Latency: 2* ²
Transfer instructions (store operation)	<ul style="list-style-type: none"> • MOV "Rs, [Rd]"/"Rs, dsp[Rd]"/"Rs, [Rd+]/"Rs, [-Rd]"/"Rs, [Ri, Rb]"/"#IMM, dsp[Rd]"/"#IMM, [Rd]" • PUSH "Rs" • PUSHC "CR" • SCCnd "[Rd]"/"dsp[Rd]" 	Figure 2.9	1
Bit manipulation instructions (register)	<ul style="list-style-type: none"> • {BCLR, BNOT, BSET} "#IMM, Rd"/"Rs, Rd" • BMCnd "#IMM, Rd" • BTST "#IMM, Rs"/"Rs, Rs2" 	Figure 2.7	1
Branch instructions	<ul style="list-style-type: none"> • BCnd "pcdsp" • {BRA, BSR} "pcdsp"/"Rs" • {JMP, JSR} "Rs" 	Figure 2.17	Branch taken: 3 Branch not taken: 1
System manipulation instructions	<ul style="list-style-type: none"> • {CLRPSW, SETPSW} "flag" • MVTC "#IMM, CR"/"Rs, CR" • MVFC "CR, Rd" • MVTIPL"#IMM" 	—	1
DSP instructions	<ul style="list-style-type: none"> • {MACHI, MACLO, MULHI, MULLO} "Rs, Rs2" • {MVFACHI, MVFACMI} "Rd" • {MVTACHI, MVTACLO} "Rs" • RACW"#IMM" 	Figure 2.7	1

Note 1. The number of cycles for the dividing instruction varies according to the divisor and dividend.

Note 2. For the number of cycles for throughput and latency, see section 2.8.3, Calculation of the Instruction Processing Time.

Figure 2.7 to Figure 2.9 show the operation of instructions that are converted into a basic single micro-operation.

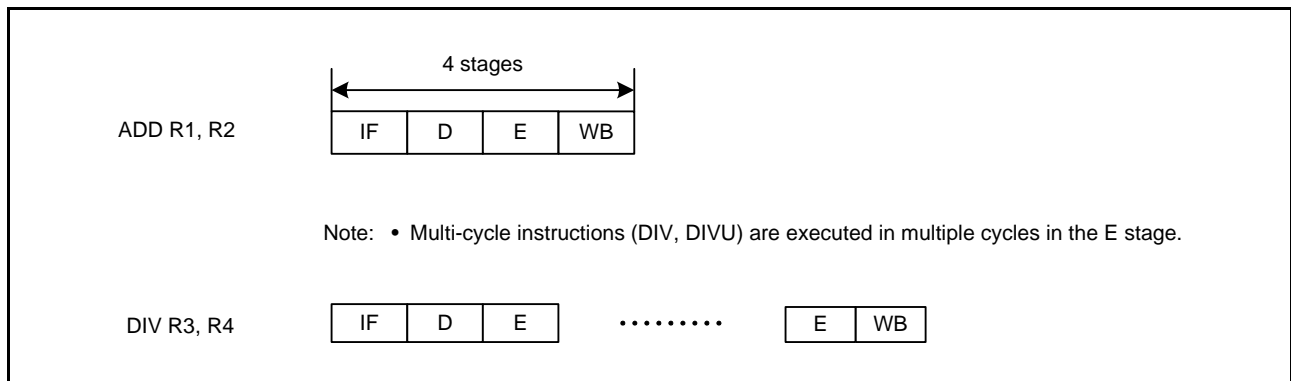


Figure 2.7 Operation for Register-Register, Immediate-Register

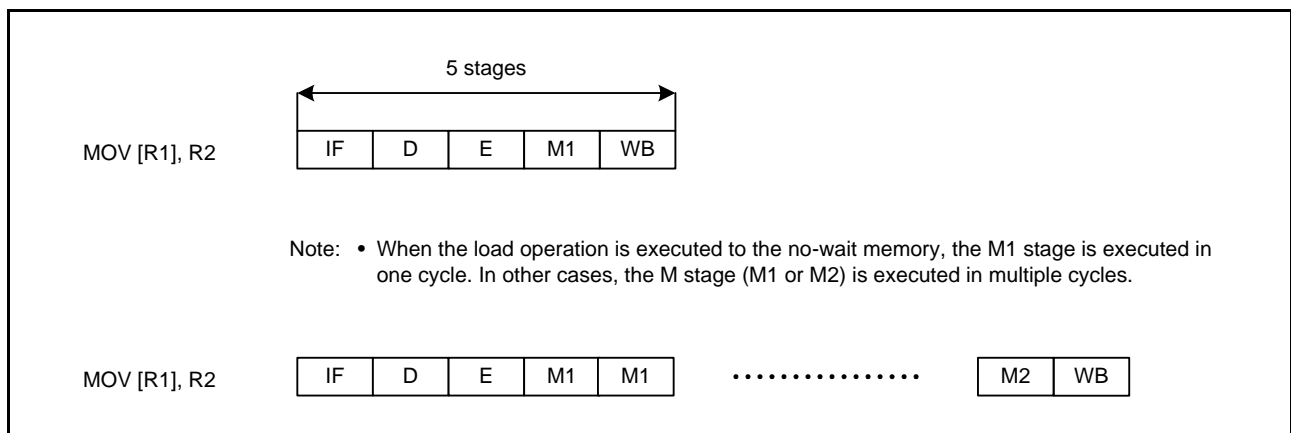


Figure 2.8 Load Operation

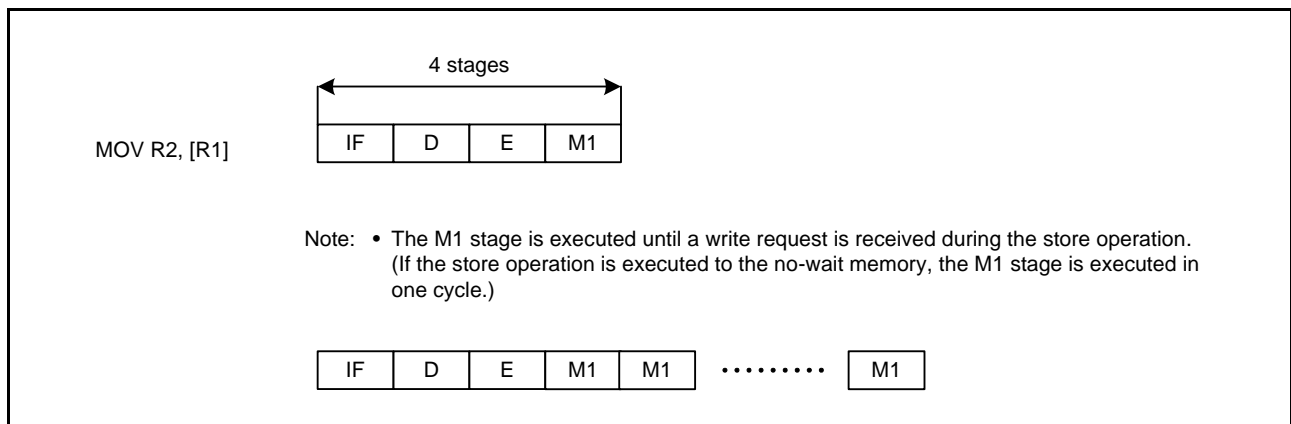


Figure 2.9 Store Operation

2.8.2.2 Instructions Converted into Multiple Micro-Operations and Pipeline Processing

The table below lists the instructions that are converted into multiple micro-operations. The number of cycles in the table indicates the number of cycles during no-wait memory access.

Table 2.14 Instructions that are Converted into Multiple Micro-Operations (1/2)

Instruction	Mnemonic (indicates the common operation when the size is omitted)	Reference Figure	Number of Cycles
Arithmetic/logic instructions (memory source operand)	<ul style="list-style-type: none"> {ADC, ADD, AND, MAX, MIN, MUL, OR, SBB, SUB, XOR} "[Rs], Rd"/"dsp[Rs], Rd" {CMP, TST} "[Rs], Rs2"/"dsp[Rs], Rs2" 	Figure 2.10	3
Arithmetic/logic instructions (division)	<ul style="list-style-type: none"> DIV "[Rs], Rd / dsp[Rs], Rd" DIVU "[Rs], Rd / dsp[Rs], Rd" 	—	5 to 22
Arithmetic/logic instruction (multiplier: 32 × 32 → 64 bits) (register-register, register-immediate)	<ul style="list-style-type: none"> {EMUL, EMULU} "#IMM, Rd"/"Rs, Rd" 	Figure 2.12	2
Arithmetic/logic instruction (multiplier: 32 × 32 → 64 bits) (memory source operand)	<ul style="list-style-type: none"> {EMUL, EMULU} "[Rs], Rd"/"dsp[Rs], Rd" 	—	4
Arithmetic/logic instructions (multiply-and-accumulate operation)	<ul style="list-style-type: none"> RMPA.B RMPA.W RMPA.L 	—	6+7×floor(n/4)+4×(n%4) n: Number of processing bytes*1
Arithmetic/logic instruction (64-bit signed saturation processing for the RMPA instruction)	<ul style="list-style-type: none"> SATR 	—	3
Data transfer instructions (memory-memory transfer)	<ul style="list-style-type: none"> MOV "[Rs], [Rd]"/"dsp[Rs], [Rd]"/"Rs, dsp[Rd]"/"dsp[Rs], dsp[Rd]" PUSH "[Rs]"/"dsp[Rs]" 	Figure 2.11	3
Bit manipulation instructions (memory source operand)	<ul style="list-style-type: none"> {BCLR, BNOT, BSET} "#IMM, [Rd]"/"#IMM, dsp[Rd]"/"Rs, [Rd]"/"Rs, dsp[Rd]" BMCnd "#IMM, [Rd]"/"#IMM, dsp[Rd]" BTST "#IMM, [Rs]"/"#IMM, dsp[Rs]"/"Rs, [Rs2]"/"Rs, dsp[Rs2]" 	Figure 2.11	3
Transfer instruction (load operation)	<ul style="list-style-type: none"> POPC "CR" 	—	Throughput: 3 Latency: 4*2
Transfer instruction (save operation of multiple registers)	<ul style="list-style-type: none"> PUSHM "Rs-Rs2" 	—	n n: Number of registers*3
Transfer instruction (restore operation of multiple registers)	<ul style="list-style-type: none"> POPM "Rs-Rs2" 	—	Throughput: n Latency: n+1 n: Number of registers*2,*4
Transfer instruction (register-register)	<ul style="list-style-type: none"> XCHG "Rs, Rd" 	Figure 2.13	2
Transfer instruction (memory-register)	<ul style="list-style-type: none"> XCHG "[Rs], Rd"/"dsp[Rs], Rd" 	Figure 2.14	2
Branch instructions	<ul style="list-style-type: none"> RTS RTSD "#IMM" RTSD "#IMM, Rd-Rd2" 	—	5 5 Throughput: n<5?5:1+n Latency: n<4?5:2+n n: Number of registers*2

Table 2.14 Instructions that are Converted into Multiple Micro-Operations (2/2)

Instruction	Mnemonic (indicates the common operation when the size is omitted)	Reference Figure	Number of Cycles
String manipulation instructions*5	• SCMPU	—	$2+4\times\text{floor}(n/4)+4\times(n\%4)$ n: Number of comparison bytes*1
	• SMOVB	—	$n>3?$ $6+3\times\text{floor}(n/4)+3\times(n\%4):$ $2+3n$ n: Number of transfer bytes*1
	• SMOVF, SMOVU	—	$2+3\times\text{floor}(n/4)+3\times(n\%4)$ n: Number of transfer bytes*1
	• SSTR.B	—	$2+\text{floor}(n/4)+n\%4$ n: Number of transfer bytes*1
	• SSTR.W	—	$2+\text{floor}(n/2)+n\%2$ n: Number of transfer words*1
	• SSTR.L	—	$2+n$ n: Number of transfer longwords
	• SUNTIL.B, SWHILE.B	—	$3+3\times\text{floor}(n/4)+3\times(n\%4)$ n: Number of comparison bytes*1
	• SUNTIL.W, SWHILE.W	—	$3+3\times\text{floor}(n/2)+3\times(n\%2)$ n: Number of comparison words*1
	• SUNTIL.L, SWHILE.L	—	$3+3\times n$ n: Number of comparison longwords
System manipulation instructions	• RTE	—	6
	• RTFI	—	3

?: Conditional operator

Note 1. floor(x): Max. integer that is smaller than x

Note 2. For the number of cycles for throughput and latency, see section 2.8.3, Calculation of the Instruction Processing Time.

Note 3. The PUSHM instruction is converted into multiple store operations. The pipeline processing is the same as the one for the store operations of the MOV instruction, where the operation is repeated for the number of specified registers.

Note 4. The POPM instruction is converted into multiple load operations. The pipeline processing is the same as the one for the load operations of the MOV instruction, where the operation is repeated for the number of specified registers.

Note 5. Each of the SCMPU, SMOVU, SWHILE, and SUNTIL instructions ends the execution regardless of the specified cycles, if the end condition is satisfied during execution.

Figure 2.10 to Figure 2.14 show the operation of instructions that are converted into basic multiple micro-operations.

Note: • mop: Micro-operation, stall: Pipeline stall

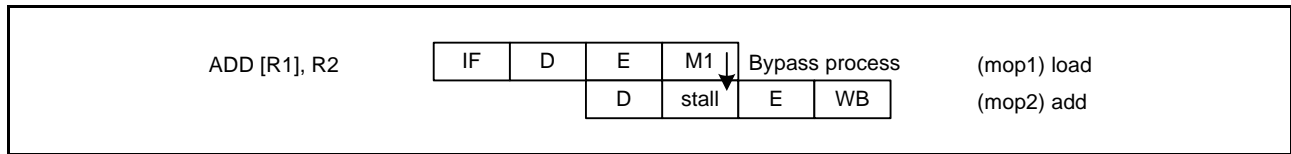


Figure 2.10 Arithmetic/Logic Instruction (Memory Source Operand)

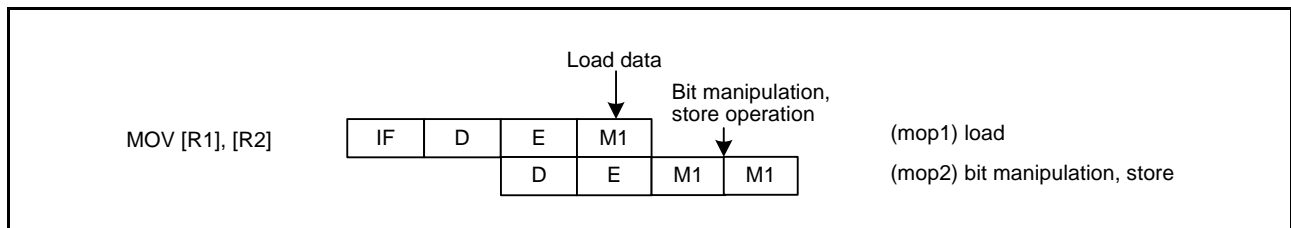


Figure 2.11 MOV Instruction (Memory-Memory), Bit Manipulation Instruction (Memory Source Operand)

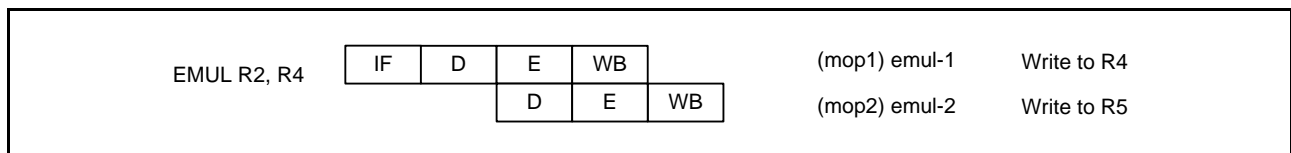


Figure 2.12 EMUL, EMULU Instructions (Register- Register, Register-Immediate)

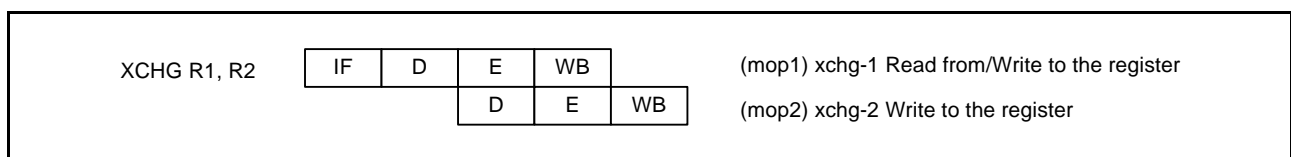


Figure 2.13 XCHG Instruction (Registers)

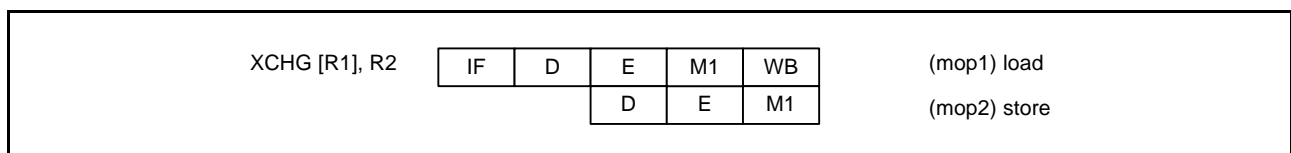


Figure 2.14 XCHG Instruction (Memory Source Operand)

2.8.2.3 Pipeline Basic Operation

In the ideal pipeline processing, each stage is executed in one cycle, though all instructions may not be pipelined in due to the processing in each stage and the branch execution.

The CPU controls the pipeline stage with the IF stage in the unit of instructions, while the D and subsequent stages in the unit of micro-operations.

The figures below show the pipeline processing of typical cases.

Note: • mop: Micro-operation, stall: Pipeline stall

(1) Pipeline Flow with Stalls

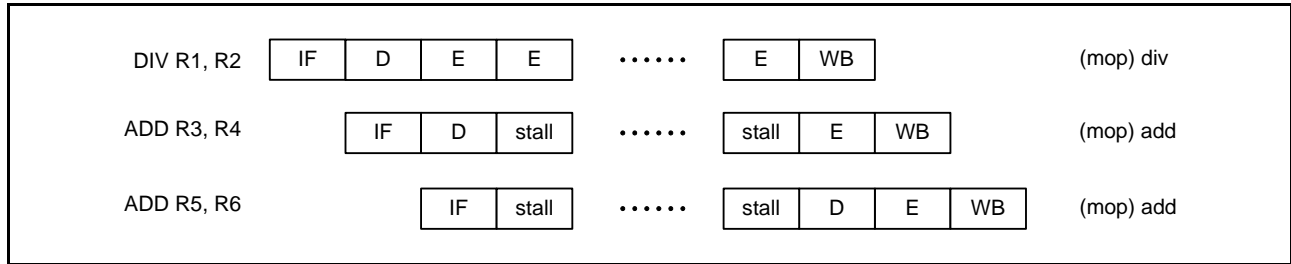


Figure 2.15 When an Instruction which Requires Multiple Cycles is Executed in the E Stage

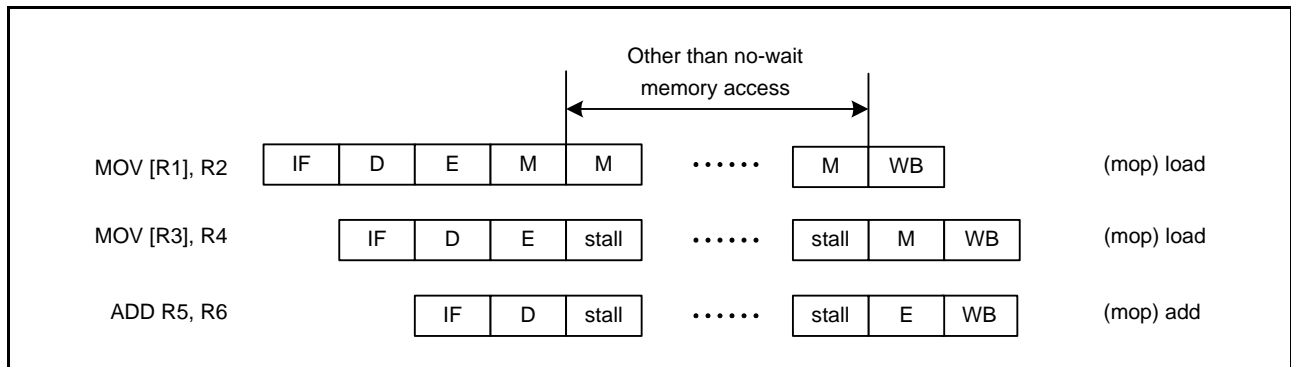


Figure 2.16 When an Instruction which Requires more than One Cycle for its Operand Access is Executed

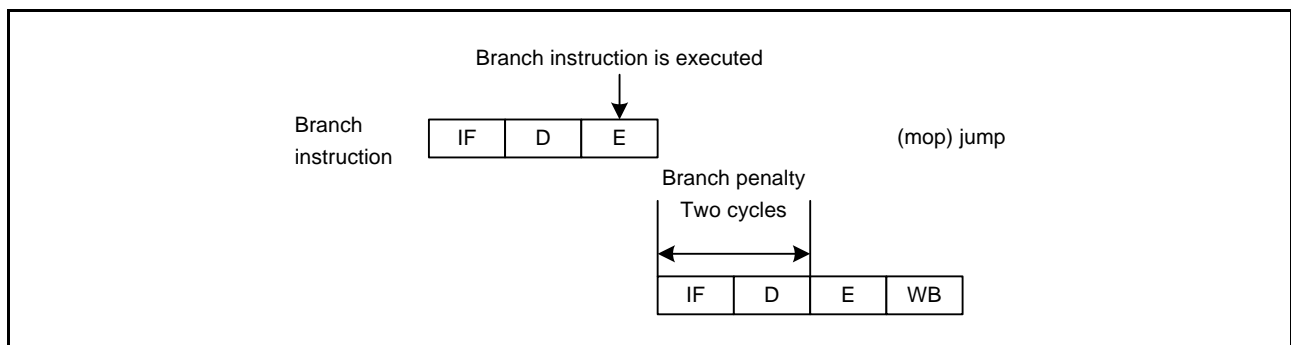


Figure 2.17 When a Branch Instruction is Executed (an Unconditional Branch Instruction is Executed or the Condition is Satisfied for a Conditional Branch Instruction)

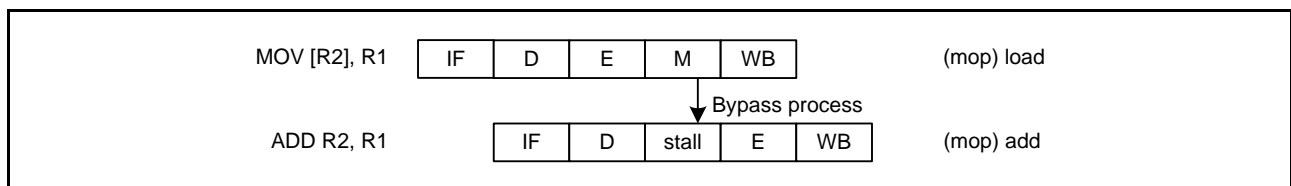


Figure 2.18 When the Subsequent Instruction Uses an Operand Read from the Memory

(2) Pipeline Flow with no Stall

(a) Bypass process

Even when the result of the preceding instruction will be used in a subsequent instruction, the operation processing between registers is pipelined in by the bypass process.

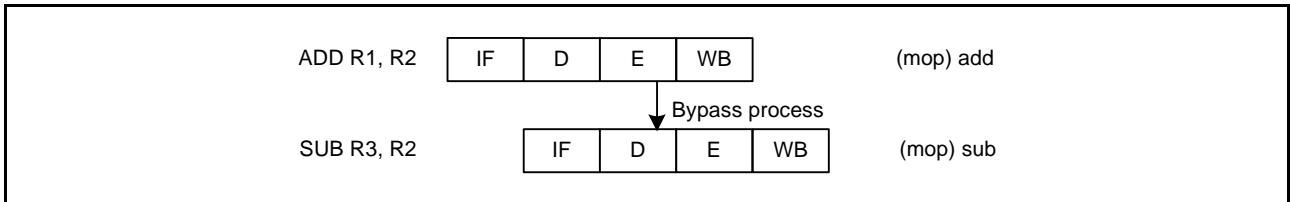


Figure 2.19 Bypass Process

(b) When WB stages for the memory load and for the operation are overlapped

Even when the WB stages for the memory load and for the operation are overlapped, the operation processing is pipelined in, because the load data and the operation result can be written to the register at the same timing.

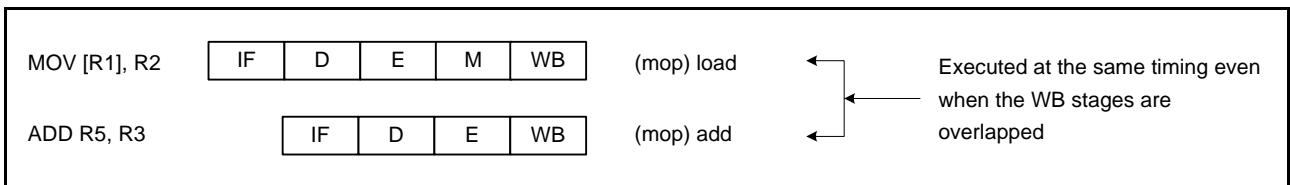


Figure 2.20 When WB Stages for the Memory Load and for the Operation are Overlapped

(c) When subsequent instruction writes to the same register before the end of memory load

Even when the subsequent instruction writes to the same register before the end of memory load, the operation processing is pipelined in, because the WB stage for the memory load is canceled.

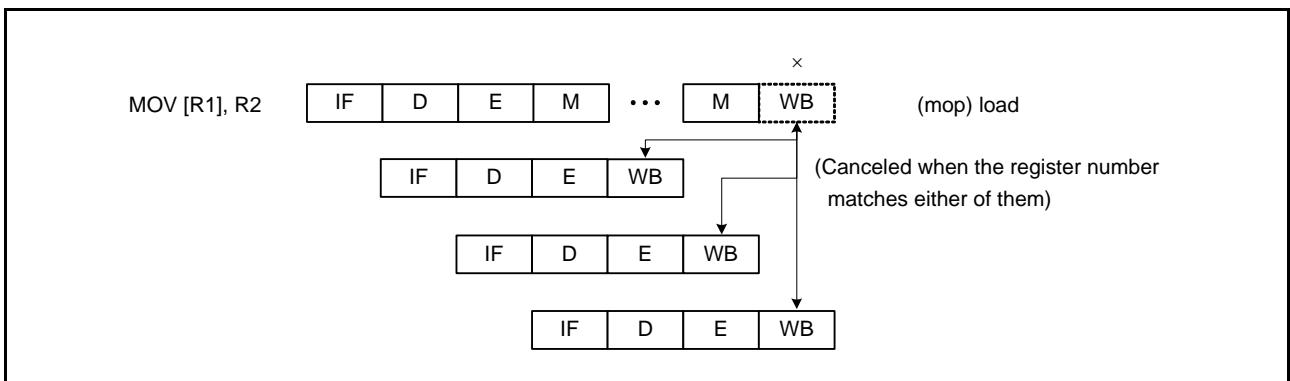


Figure 2.21 When Subsequent Instruction Writes to the Same Register before the End of Memory Load

(d) When the load data is not used by the subsequent instruction

When the load data is not used by the subsequent instruction, the subsequent operations are in fact executed earlier and the operation processing ends (out-of-order completion).

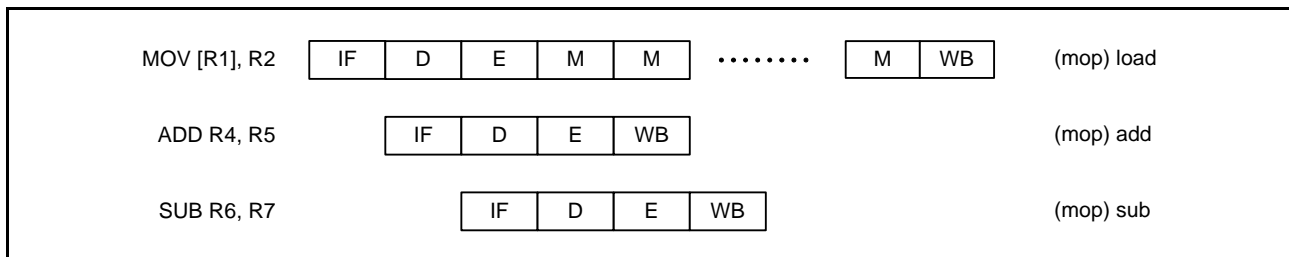


Figure 2.22 When Load Data is not Used by the Subsequent Instruction

2.8.3 Calculation of the Instruction Processing Time

Though the instruction processing time of the CPU varies according to the pipeline processing, the approximate time can be calculated in the following methods.

- Count the number of cycles (see Table 2.13 and Table 2.14)
- When the load data is used by the subsequent instruction, the number of cycles described as “latency” is counted as the number of cycles for the memory load instruction. For the cycles other than the memory load instruction, the number of cycles described as “throughput” is counted.
- If the instruction fetch stall is generated, the number of cycles increments.
- Depending on the system configuration, multiple cycles are required for the memory access.

2.8.4 Numbers of Cycles for Response to Interrupts

Table 2.15 lists numbers of cycles taken by processing for response to interrupts.

Table 2.15 Numbers of Cycles for Response to Interrupts

Type of Interrupt Request/Details of Processing	Fast Interrupt	Other Interrupts
ICU Judgment of priority order	2 cycles	
CPU Number of cycles from notification to acceptance of the interrupt request	N cycles (varies with the instruction being executed at the time the interrupt was received)	
CPU Pre-processing by hardware Saving the current PC and PSW values in RAM (or in control registers in the case of the fast interrupt) Reading of the vector Branching to the start of the exception handling routine	4 cycles	6 cycles

Times calculated from the values in Table 2.15 will be applicable when access to memory from the CPU is processed with no waiting. The RAM and ROM in products of the RX210 Groups allow such access. Numbers of cycles for response to interrupts can be minimized by placing program code (and vectors) in ROM and the stack in RAM. Furthermore, place the addresses where the exception handling routine start on eight-byte boundaries.

For information on the number of cycles from notification to acceptance of the interrupt request, indicated by N in the table above, see Table 2.13, Instructions that are Converted into a Single Micro-Operation, and Table 2.14, Instructions that are Converted into Multiple Micro-Operations.

The timing of interrupt acceptance depends on the state of the pipelines. For more information on this, see section 13.3.1, Acceptance Timing and Saved PC Value.

3. Operating Modes

3.1 Operating Mode Types and Selection

There are two types of operating-mode selection: one is selected by the level on pins at the time of release from the reset state, and the other is selected by software after release from the reset state.

Table 3.1 shows the relationship between levels on the mode-setting pins (MD, PC7) on release from the reset state and the operating mode selected at that time. For details on each of the operating modes, see section 3.3, Details of Operating Modes. Operation starts with the on-chip ROM (ROM, E2 DataFlash) enabled and the external bus disabled, regardless of the mode in which operation started. Set the SYSCR0.EXBE bit to 1 (external bus enabled) to enable the external bus.

Table 3.1 Selection of Operating Modes by the Mode-Setting Pins

Mode-Setting Pin		Operating Mode	SYSCR0 Initial State	
MD*1	PC7*2		ROME	EXBE
High	—	Single-chip mode	1 (On-chip ROM enabled)	0 (External bus disabled)
Low	Low	Boot mode		
	High	User boot mode		

Note 1. Do not change the level on the MD pin while the MCU is operating.

Note 2. The PC7 pin can also be used as a general port pin.

Table 3.2 gives a list of the operating mode settings that can be made with system control register 0 (SYSCR0). For details on each of the operating modes, see section 3.3, Details of Operating Modes.

Table 3.2 Selection of Operating Modes by Register Setting

SYSCR0		
ROME	EXBE	Operating Mode
0 (On-chip ROM disabled)*1	0 (external bus disabled)	Single-chip mode, user boot mode
1 (On-chip ROM enabled)	0 (external bus disabled)	
0 (On-chip ROM disabled)*1	1 (external bus enabled)	On-chip ROM disabled extended mode
1 (On-chip ROM enabled)	1 (external bus enabled)	On-chip ROM enabled extended mode

Note 1. Once the ROME bit is set to 0, it cannot be reverted to 1.

The endian is selectable in single-chip mode and user boot mode. Endian is set in the given operating mode by using the endian select bits (MDE[2:0]) in the register indicated in Table 3.3. For the correspondence between the setting and endian, see Table 3.4.

Table 3.3 Endian Setting

Operating Mode	Endian Setting
Single-chip mode	Endian is set in the endian selection register (MDES) in the option-setting memory.
User boot mode	Endian is set in the endian selection register (MDEB) in the option-setting memory.

Table 3.4 Selection of Endian

MDE[2:0] Bits	Endian
000b	Big endian
111b	Little endian

3.2 Register Descriptions

3.2.1 Mode Monitor Register (MDMONR)

Address(es): 0008 0000h

	b15	b14	b13	b12	b11	b10	b9	b8	b7	b6	b5	b4	b3	b2	b1	b0
	—	—	—	—	—	—	—	—	—	—	—	—	—	—	—	MD
Value after reset:	0	0	0	0	0	0	0	x	0	0	0	0	0	0	0	0/1*1

Note 1. This affects the level on the MD pin at the time of release from the reset state.

Bit	Symbol	Bit Name	Description	R/W
b0	MD	MD Pin Status Flag	0: The MD pin is low. 1: The MD pin is high.	R
b7 to b1	—	Reserved	These bits are read as 0.	R
b8	—	Reserved	The read value is undefined.	R
b15 to b9	—	Reserved	These bits are read as 0.	R

3.2.2 Mode Status Register (MDSR)

Address(es): 0008 0002h

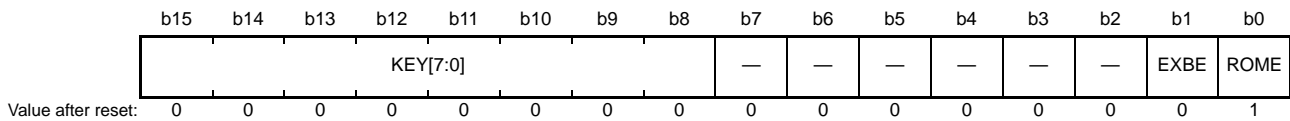
	b15	b14	b13	b12	b11	b10	b9	b8	b7	b6	b5	b4	b3	b2	b1	b0
	—	—	—	—	—	—	—	—	—	—	UBTS	—	—	—	—	—
Value after reset:	0	0	0	0	0	0	0	0	0	0	0/1*1	0	0	0	0	1

Note 1. Depends on the operating mode at startup.

Bit	Symbol	Bit Name	Description	R/W
b0	—	Reserved	This bit is read as 1.	R
b4 to b1	—	Reserved	These bits are read as 0.	R
b5	UBTS	User Boot Mode Startup Flag	0: Started with a mode except user boot mode. 1: Started with user boot mode.	R
b15 to b6	—	Reserved	These bits are read as 0.	R

3.2.3 System Control Register 0 (SYSCR0)

Address(es): 0008 0006h



Bit	Symbol	Bit Name	Description	R/W
b0	ROME	On-Chip ROM Enable	0: The on-chip ROM is disabled. 1: The on-chip ROM is enabled.	R/W
b1	EXBE	External Bus Enable	0: The external bus is disabled. 1: The external bus is enabled.	R/W
b7 to b2	—	Reserved	These bits are read as 0. The write value should be 0.	R/W
b15 to b8	KEY[7:0]	SYSCR0 Key Code	These bits control permission and prohibition of writing to the SYSCR0 register. To modify the SYSCR0 register, write 5Ah to the eight higher-order bits and the desired value to the eight lower-order bits as a 16-bit unit.	R/(W)*1

Note: • Set the PRCR.PRC1 bit to 1 (write enabled) before rewriting this register.

Note 1. Write data is not retained.

ROME Bit (On-Chip ROM Enable)

The ROME bit enables or disables the on-chip ROM (ROM, E2 DataFlash).

Once cleared to 0, it cannot be reverted to 1.

A 0 should not be written to this bit while a program is being executed from the on-chip ROM. After writing a 0 to this bit, be sure to disable the on-chip ROM by changing the ROME bit to 0 before proceeding with further processing.

EXBE Bit (External Bus Enable)

The EXBE bit enables or disables the external bus.

Do not write 0 to this bit while a program is running from an external address space. Write 0 to this bit after access to the external bus is completed. Furthermore, when an external address space is included in the range of transfer by the DMAC, prohibit DMA transfer before writing 0 to this bit.

After writing to the EXBE bit, confirm that its value has actually changed before proceeding with further processing.

When the EXBE bit is set to 1, the related I/O port settings must also be changed as required. For details, see section 20, Multi-Function Pin Controller (MPC).

3.2.4 System Control Register 1 (SYSCR1)

Address(es): 0008 0008h

	b15	b14	b13	b12	b11	b10	b9	b8	b7	b6	b5	b4	b3	b2	b1	b0
	—	—	—	—	—	—	—	—	—	—	—	—	—	—	—	RAME
Value after reset:	0	0	0	0	0	0	0	0	0	0	0	0	0	0	0	1

Bit	Symbol	Bit Name	Description	R/W
b0	RAME	RAM Enable	0: The RAM is disabled. 1: The RAM is enabled.	R/W
b15 to b1	—	Reserved	These bits are read as 0. The write value should be 0.	R/W

Note: • Set the PRCR.PRC1 bit to 1 (write enabled) before rewriting this register.

RAME Bit (RAM Enable)

The RAME bit enables or disables the RAM.

A 0 should not be written to this bit during access to the RAM. When accessing the RAM immediately after changing the RAME bit from 0 (RAM disabled) to 1 (RAM enabled), make sure that the RAME bit is 1 before the access.

Even when the RAME bit is cleared to 0, the RAM retains its value. To retain the value in the RAM, keep the specified RAM standby voltage (VRAM). For details, see section 42, Electrical Characteristics.

3.3 Details of Operating Modes

3.3.1 Single-Chip Mode

In this mode, the external bus is disabled (SYSCR0.EXBE bit = 0), all I/O ports can be used as general input/output ports, peripheral function input/output, or interrupt input pins.

The chip starts up in single-chip mode if the high level is on the MD pin on release from the reset state. While the on-chip ROM is enabled (SYSCR0.ROME bit = 1), it can be disabled by clearing the SYSCR0.ROME bit to 0. While the on-chip ROM is disabled (SYSCR0.ROME bit = 0), it cannot be enabled by setting the SYSCR0.ROME bit to 1.

Setting the SYSCR0.EXBE bit to 1 causes a transition to on-chip ROM enabled extended mode or on-chip ROM disabled extended mode where the external bus is available.

3.3.2 On-Chip ROM Enabled Extended Mode

In this mode, the on-chip ROM is enabled (SYSCR0.ROME bit = 1) and the external bus extension is enabled (SYSCR0.EXBE bit = 1). This mode allows some I/O ports to be used as data bus input/output, address bus output, or bus control signal input/output. For details, see section 20, Multi-Function Pin Controller (MPC).

After the chip has started up in single-chip mode, setting the SYSCR0.EXBE bit to 1 (external bus enabled) causes it to make the transition to on-chip ROM enabled extended mode.

Writing 0 to the SYSCR0.EXBE bit (external bus disabled) causes a transition to single-chip mode (on-chip ROM enabled).

Writing 0 to the SYSCR0.ROME bit (on-chip ROM disabled) causes a transition to on-chip ROM disabled extended mode.

3.3.3 On-Chip ROM Disabled Extended Mode

In this mode, the on-chip ROM is disabled (SYSCR0.ROME bit = 0) and the external bus extension is enabled (SYSCR0.EXBE bit = 1). This mode allows some I/O ports to be used as data bus input/output, address bus output, or bus control signal input/output. For details, see section 20, Multi-Function Pin Controller (MPC).

After the chip has started up in single-chip mode, setting the SYSCR0.EXBE bit to 1 (external bus enabled) and setting the SYSCR0.ROME bit to 0 (on-chip ROM disabled) causes it to make the transition to on-chip ROM disabled extended mode.

In this mode, the on-chip ROM cannot be enabled by setting the SYSCR0.ROME bit to 1.

Writing 0 to the SYSCR0.EXBE bit (external bus disabled) causes a transition to single-chip mode (on-chip ROM disabled).

3.3.4 Boot Mode

In this mode, the on-chip flash memory modifying program (boot program) stored in a dedicated area within the MCU operates. The on-chip flash memory (ROM, E2 DataFlash) can be modified from outside the MCU by using a universal asynchronous receiver/transmitter (SCI1). For details, see section 40, ROM (Flash Memory for Code Storage), and section 41, E2 DataFlash Memory (Flash Memory for Data Storage).

The chip starts up in boot mode if the low level is on both the MD and PC7 pins on release from the reset state.

3.3.5 User Boot Mode

In user boot mode, an on-chip flash memory modifying program (user boot program) created by the user operates. After release from the reset state, the chip starts up in a state equivalent to single-chip mode.

After programming the prescribed values for UB code A and the UB code B, the chip starts up in user boot mode if the low level is on the MD pin and the high level is on the PC7 pin on release from the reset state. For UB code A and UB

code b, see section 7, Option-Setting Memory.

After the chip has started up in user boot mode, setting the SYSCR0.EXBE bit to 1 (external bus enabled) causes it to make the transition to on-chip ROM enabled extended mode.

Note: • In user mode, do not make a transition to software standby mode or deep software standby mode.

Note: • The setting in the OFS0/OFS1 registers is ineffective in user boot mode, and the value becomes FFFF FFFFh.

3.4 Transitions of Operating Modes

3.4.1 Operating Mode Transitions Determined by the Mode-Setting Pins

Figure 3.1 shows operating mode transitions determined by the settings of the MD pin and the PC7 pin.

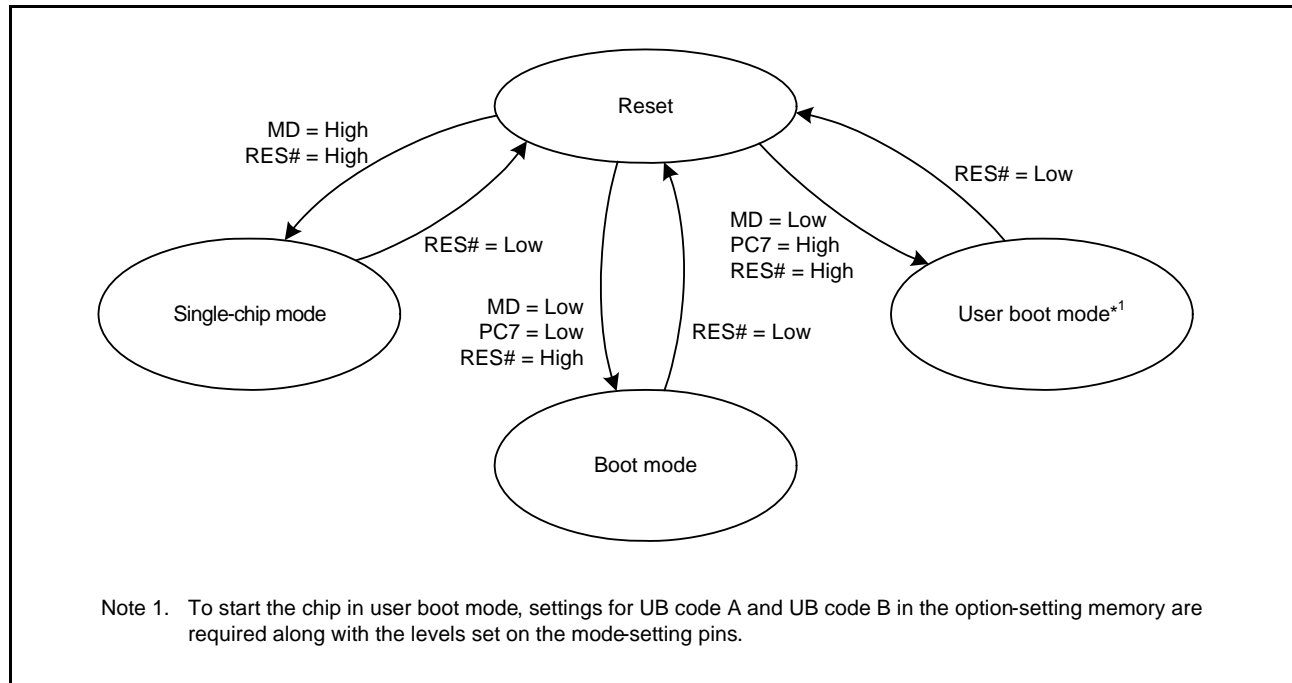


Figure 3.1 Mode-Setting Pin Levels and Operating Modes

3.4.2 Operating Mode Transitions According to Register Setting

Figure 3.2 shows operating mode transitions according to the setting of the ROME and EXBE bits in SYSCR0.

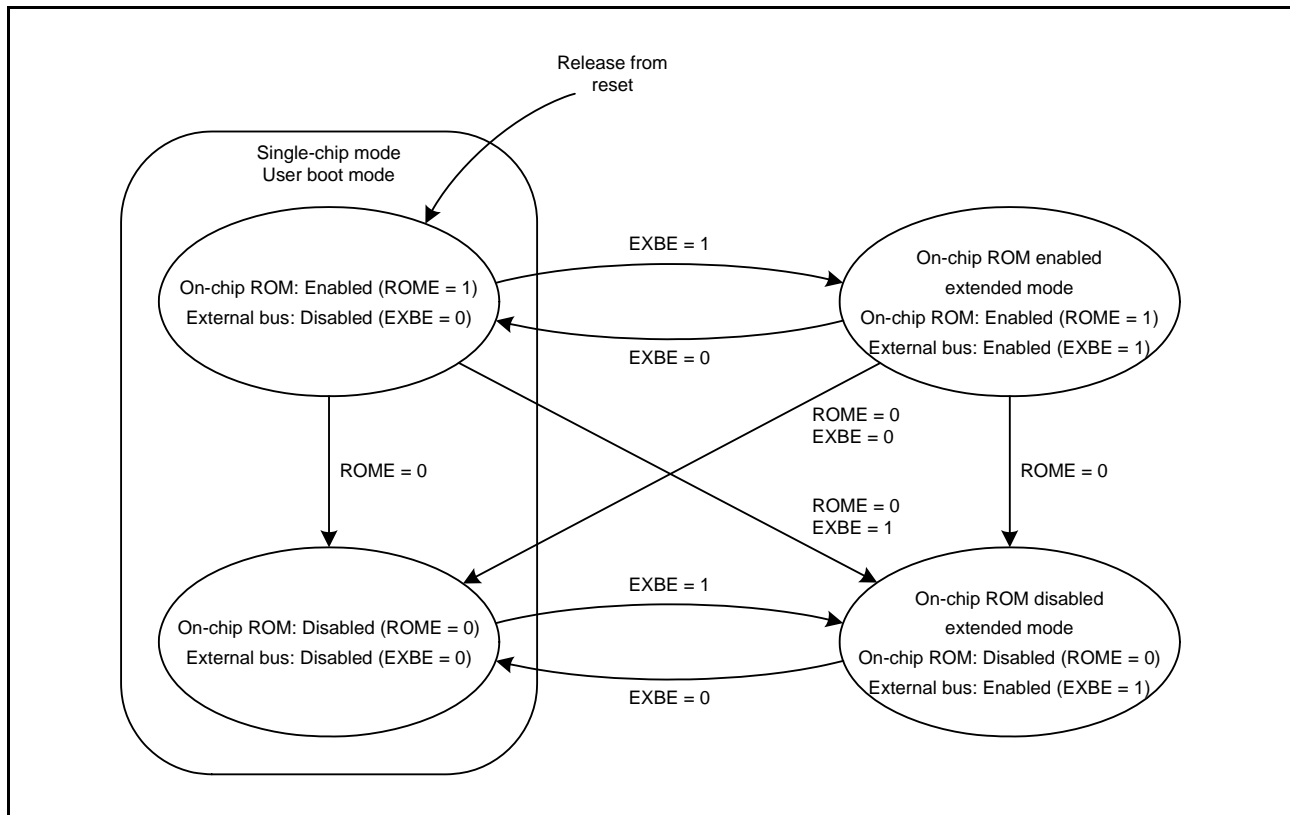


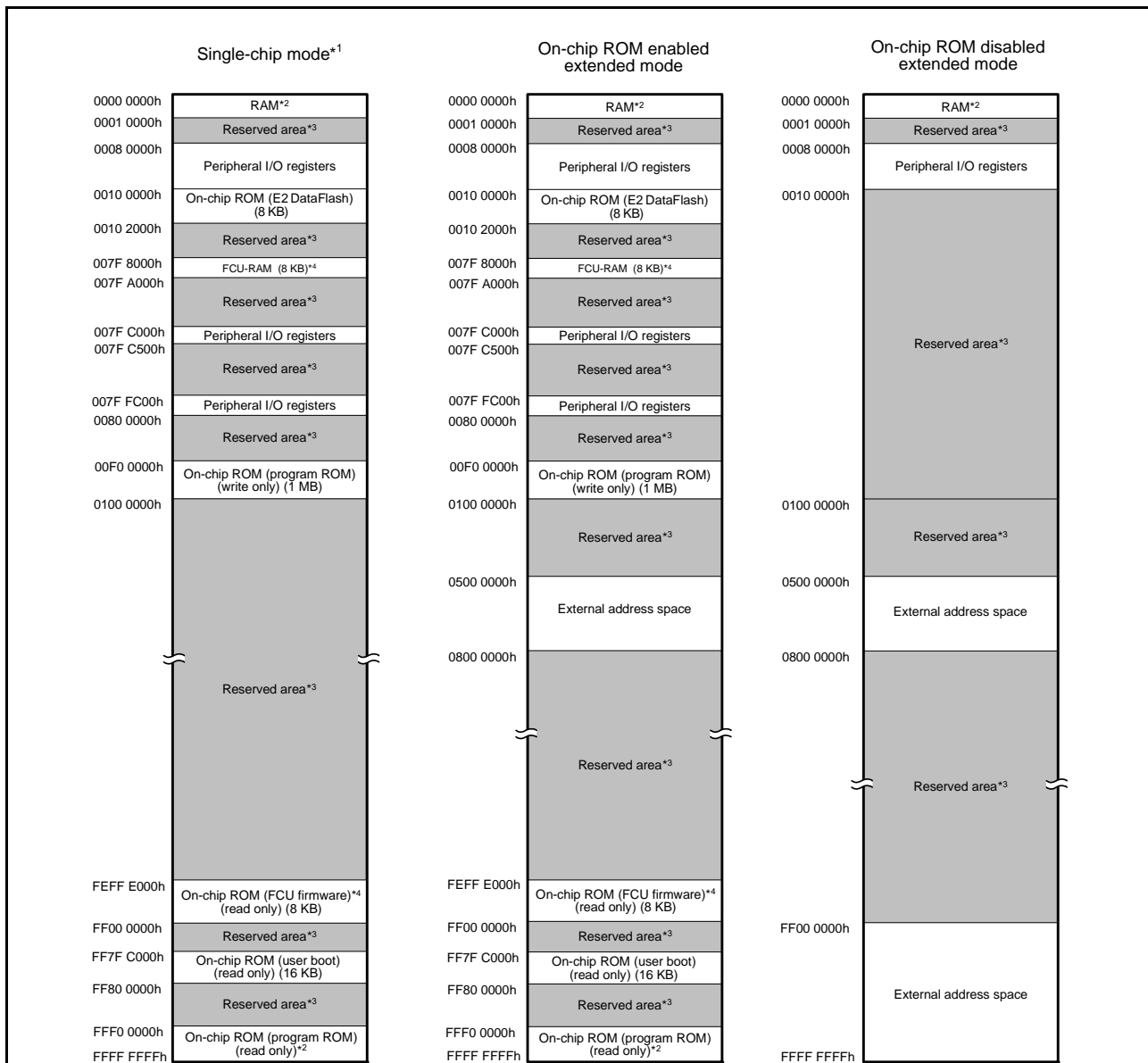
Figure 3.2 Setting of SYSCR0.ROME and EXBE Bits and Operating Modes

4. Address Space

4.1 Address Space

This LSI has a 4-Gbyte address space, consisting of the range of addresses from 0000 0000h to FFFF FFFFh. That is, linear access to an address space of up to 4 Gbytes is possible, and this contains both program and data areas.

Figure 4.1 shows the memory maps in the respective operating modes. Accessible areas will differ according to the operating mode and states of control bits.



Note 1. The address space in boot mode and user boot mode is the same as the address space in single-chip mode.
 Note 2. The capacity of ROM/RAM differs depending on the products.

ROM (bytes)		RAM (bytes)	
Capacity	Address	Capacity	Address
1 M	FFF0 0000h to FFFF FFFFh	96 K	0000 0000h to 0001 7FFFh
768 K	FFF4 0000h to FFFF FFFFh		
512 K	FFF8 0000h to FFFF FFFFh	64 K	0000 0000h to 0000 FFFFh
384 K	FFFA 0000h to FFFF FFFFh		
256 K	FFFC 0000h to FFFF FFFFh	32 K	0000 0000h to 0000 7FFFh
128 K	FFFE 0000h to FFFF FFFFh	20 K	0000 0000h to 0000 4FFFh
96 K	FFFE 8000h to FFFF FFFFh	16 K	0000 0000h to 0000 3FFFh
64 K	FFFF 0000h to FFFF FFFFh	12 K	0000 0000h to 0000 2FFFh

Note: *See Table 1.3 to Table 1.7 List of Products, for the product type name.

Note 3. Reserved areas should not be accessed.
 Note 4. For details on the FCU, see section 40, ROM (Flash Memory for Code Storage) and section 41, E2 DataFlash Memory (Flash Memory for Data Storage).

Figure 4.1 Memory Map in Each Operating Mode

4.2 External Address Space

The external address space is divided into up to four CS areas (CS0 to CS3), each corresponding to the CSn# signal output from a CSn# (n = 0 to 3) pin.

Figure 4.2 shows the address ranges corresponding to the individual CS areas (CS0 to CS3) in on-chip ROM disabled extended mode.

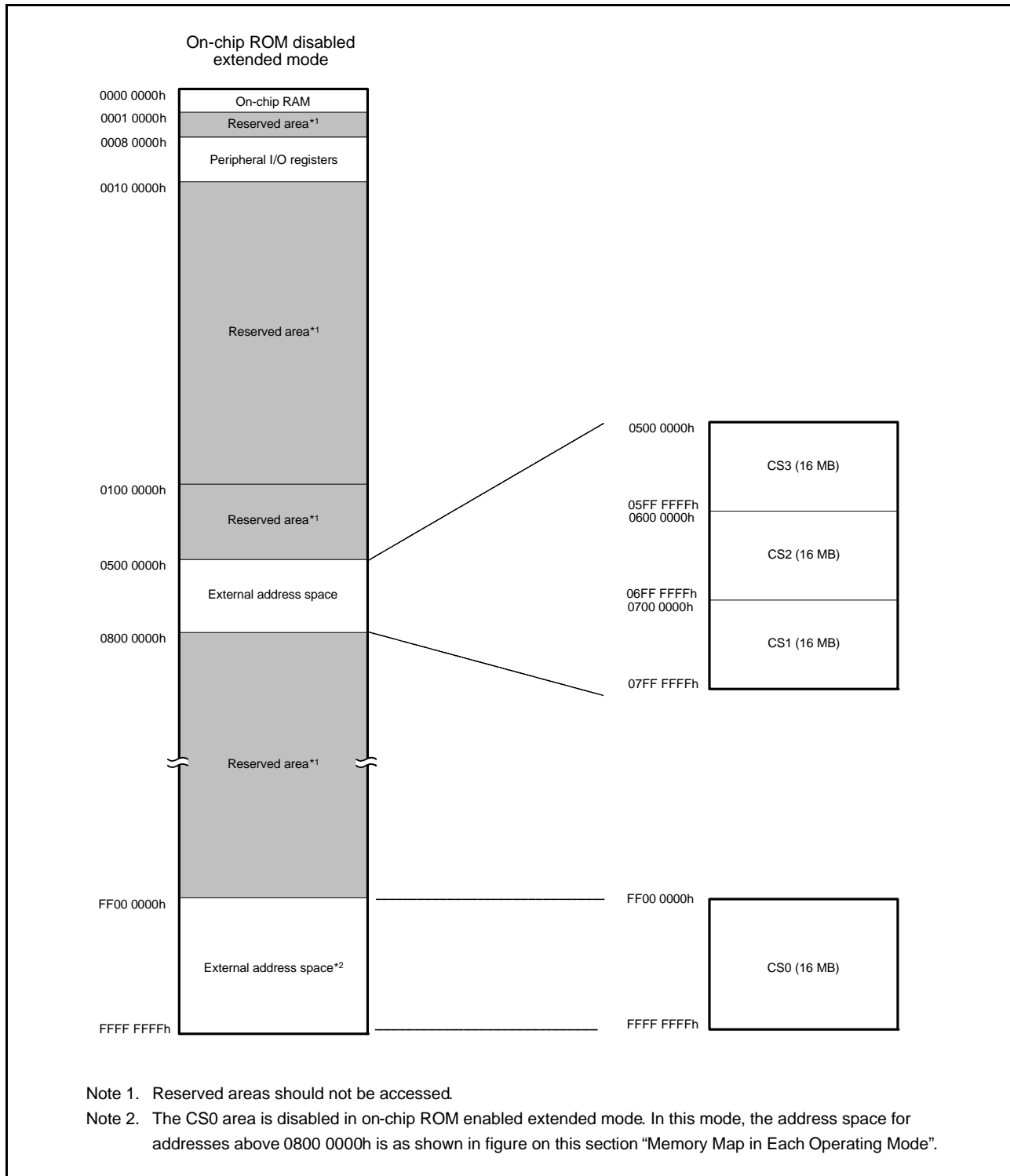


Figure 4.2 Correspondence between External Address Spaces and CS Areas (In On-Chip ROM Disabled Extended Mode)

5. I/O Registers

This section gives information on the on-chip I/O register addresses and bit configuration. The information is given as shown below. Notes on writing to registers are also given at the end.

(1) I/O register addresses (address order)

- Registers are listed from the lower allocation addresses.
- Registers are classified according to module symbols.
- Numbers of cycles for access indicate numbers of cycles of the given base clock.
- Among the internal I/O register area, addresses not listed in the list of registers are reserved. Reserved addresses must not be accessed. Do not access these addresses; otherwise, the operation when accessing these bits and subsequent operations cannot be guaranteed.

(2) Notes on writing to I/O registers

When writing to an I/O register, the CPU starts executing the subsequent instruction before completing I/O register write. This may cause the subsequent instruction to be executed before the post-update I/O register value is reflected on the operation.

As described in the following examples, special care is required for the cases in which the subsequent instruction must be executed after the post-update I/O register value is actually reflected.

[Examples of cases requiring special care]

- The subsequent instruction must be executed while an interrupt request is disabled with the IENj bit in IERN of the ICU (interrupt request enable bit) cleared to 0.
- A WAIT instruction is executed immediately after the preprocessing for causing a transition to the low power consumption state.

In the above cases, after writing to an I/O register, wait until the write operation is completed using the following procedure and then execute the subsequent instruction.

- Write to an I/O register.
- Read the value from the I/O register to a general register.
- Execute the operation using the value read.
- Execute the subsequent instruction.

[Instruction examples]

- Byte-size I/O registers

```
MOV.L #SFR_ADDR, R1
MOV.B #SFR_DATA, [R1]
CMP [R1].UB, R1
;; Next process
```

- Word-size I/O registers

```
MOV.L #SFR_ADDR, R1
MOV.W #SFR_DATA, [R1]
CMP [R1].W, R1
;; Next process
```

- Longword-size I/O registers

```
MOV.L #SFR_ADDR, R1
MOV.L #SFR_DATA, [R1]
CMP [R1].L, R1
;; Next process
```

If multiple registers are written to and a subsequent instruction should be executed after the write operations are entirely completed, only read the I/O register that was last written to and execute the operation using the value; it is not necessary to read or execute operation for all the registers that were written to.

(3) Number of Access Cycles to I/O Registers

For numbers of clock cycles for access to I/O registers, see Table 5.1, List of I/O Registers (Address Order). The number of access cycles to I/O registers is obtained by following equation.*¹

$$\begin{aligned} \text{Number of access cycles to I/O registers} = & \text{Number of bus cycles for internal main bus 1} + \\ & \text{Number of divided clock synchronization cycles} + \\ & \text{Number of bus cycles for internal peripheral bus 1 to 6} \end{aligned}$$

The number of bus cycles of internal peripheral bus 1 to 6 differs according to the register to be accessed. When peripheral functions connected to internal peripheral bus 2 to 6 or registers for the external bus control unit (except for bus error related registers) are accessed, the number of divided clock synchronization cycles is added. The number of divided clock synchronization cycles differs depending on the frequency ratio between ICLK and PCLK (or FCLK, BCLK) or bus access timing.

In the peripheral function unit, when the frequency ratio of ICLK is equal to or greater than that of PCLK (or FCLK), the sum of the number of bus cycles for internal main bus 1 and the number of the divided clock synchronization cycles will be one cycle of PCLK (or FCLK) at a maximum. Therefore, one PCLK (or FCLK) has been added to the number of access cycles shown in Table 5.1.

When the frequency ratio of ICLK is lower than that of PCLK (or FCLK), the subsequent bus access is started from the ICLK cycle following the completion of the access to the peripheral functions. Therefore, the access cycles are described on an ICLK basis.

In the external bus control unit, the sum of the number of bus cycles for internal main bus 1 and the number of divided clock synchronization cycles will be one cycle of BCLK at a maximum. Therefore, one BCLK is added to the number of access cycles shown in Table 5.1.

Note 1. This applies to the number of cycles when the access from the CPU does not conflict with the instruction fetching to the external memory or bus access from the different bus master (DMAC or DTC).

5.1 I/O Register Addresses (Address Order)

Table 5.1 List of I/O Registers (Address Order) (1 / 30)

Address	Module Symbol	Register Name	Register Symbol	Number of Bits	Access Size	Number of Access Cycles		Reference Section
						ICLK ≥ PCLK	ICLK < PCLK	
0008 0000h	SYSTEM	Mode monitor register	MDMONR	16	16	3	ICLK	section 3.
0008 0002h	SYSTEM	Mode status register	MDSR	16	16	3	ICLK	section 3.
0008 0006h	SYSTEM	System control register 0	SYSCR0	16	16	3	ICLK	section 3.
0008 0008h	SYSTEM	System control register 1	SYSCR1	16	16	3	ICLK	section 3.
0008 000Ch	SYSTEM	Standby control register	SBYCR	16	16	3	ICLK	section 11.
0008 0010h	SYSTEM	Module stop control register A	MSTPCRA	32	32	3	ICLK	section 11.
0008 0014h	SYSTEM	Module stop control register B	MSTPCRB	32	32	3	ICLK	section 11.
0008 0018h	SYSTEM	Module stop control register C	MSTPCRC	32	32	3	ICLK	section 11.
0008 0020h	SYSTEM	System clock control register	SCKCR	32	32	3	ICLK	section 9.
0008 0026h	SYSTEM	System clock control register 3	SCKCR3	16	16	3	ICLK	section 9.
0008 0028h	SYSTEM	PLL control register	PLLCR	16	16	3	ICLK	section 9.
0008 002Ah	SYSTEM	PLL control register 2	PLLCR2	8	8	3	ICLK	section 9.
0008 0030h	SYSTEM	External bus clock control register	BCKCR	8	8	3	ICLK	section 9.
0008 0032h	SYSTEM	Main clock oscillator control register	MOSCCR	8	8	3	ICLK	section 9.
0008 0033h	SYSTEM	Sub-clock oscillator control register	SOSCCR	8	8	3	ICLK	section 9.
0008 0034h	SYSTEM	Low-speed on-chip oscillator control register	LOCOCR	8	8	3	ICLK	section 9.
0008 0035h	SYSTEM	IWDT-dedicated on-chip oscillator control register	ILOCOCR	8	8	3	ICLK	section 9.
0008 0036h	SYSTEM	High-speed on-chip oscillator control register	HOCOCR	8	8	3	ICLK	section 9.
0008 0037h	SYSTEM	High-speed on-chip oscillator control register 2	HOCOCR2	8	8	3	ICLK	section 9.
0008 0040h	SYSTEM	Oscillation stop detection control register	OSTDCR	8	8	3	ICLK	section 9.
0008 0041h	SYSTEM	Oscillation stop detection status register	OSTDSR	8	8	3	ICLK	section 9.
0008 00A0h	SYSTEM	Operating power control register	OPCCR	8	8	3	ICLK	section 11.
0008 00A1h	SYSTEM	Sleep mode return clock source switching register	RSTCKCR	8	8	3	ICLK	section 11.
0008 00A2h	SYSTEM	Main clock oscillator wait control register	MOSCWTCR	8	8	3	ICLK	section 11.
0008 00A3h	SYSTEM	Sub-clock oscillator wait control register	SOSCWTCR	8	8	3	ICLK	section 11.
0008 00A6h	SYSTEM	PLL wait control register	PLLWTCR	8	8	3	ICLK	section 11.
0008 00A9h	SYSTEM	HOCO wait control register 2	HOCOWTCR2	8	8	3	ICLK	section 11.
0008 00C0h	SYSTEM	Reset status register 2	RSTSR2	8	8	3	ICLK	section 6.
0008 00C2h	SYSTEM	Software reset register	SWRR	16	16	3	ICLK	section 6.
0008 00E0h	SYSTEM	Voltage monitoring 1 circuit/comparator A1 control register 1	LVD1CR1	8	8	3	ICLK	section 8., section 36.
0008 00E1h	SYSTEM	Voltage monitoring 1 circuit/comparator A1 status register	LVD1SR	8	8	3	ICLK	section 8., section 36.
0008 00E2h	SYSTEM	Voltage monitoring 2 circuit/comparator A2 control register 1	LVD2CR1	8	8	3	ICLK	section 8., section 36.
0008 00E3h	SYSTEM	Voltage monitoring 2 circuit/comparator A2 status register	LVD2SR	8	8	3	ICLK	section 8., section 36.
0008 0200h	SYSTEM	Voltage regulator control register	VRCCR	8	8	3	ICLK	section 9.
0008 03FEh	SYSTEM	Protect register	PRCR	16	16	3	ICLK	section 12.
0008 1300h	BSC	Bus error status clear register	BERCLR	8	8	2	ICLK	section 15.
0008 1304h	BSC	Bus error monitoring enable register	BEREN	8	8	2	ICLK	section 15.
0008 1308h	BSC	Bus error status register 1	BERSR1	8	8	2	ICLK	section 15.
0008 130Ah	BSC	Bus error status register 2	BERSR2	16	16	2	ICLK	section 15.
0008 1310h	BSC	Bus priority control register	BUSPRI	16	16	2	ICLK	section 15.
0008 2000h	DMAC0	DMA source address register	DMSAR	32	32	2	ICLK	section 16.
0008 2004h	DMAC0	DMA destination address register	DMDAR	32	32	2	ICLK	section 16.
0008 2008h	DMAC0	DMA transfer count register	DMCRA	32	32	2	ICLK	section 16.
0008 200Ch	DMAC0	DMA block transfer count register	DMCRB	16	16	2	ICLK	section 16.
0008 2010h	DMAC0	DMA transfer mode register	DMTMD	16	16	2	ICLK	section 16.
0008 2013h	DMAC0	DMA interrupt setting register	DMINT	8	8	2	ICLK	section 16.

Table 5.1 List of I/O Registers (Address Order) (2 / 30)

Address	Module Symbol	Register Name	Register Symbol	Number of Bits	Access Size	Number of Access Cycles		Reference Section
						ICLK \geq PCLK	ICLK < PCLK	
0008 2014h	DMAC0	DMA address mode register	DMAMD	16	16	2 ICLK		section 16.
0008 2018h	DMAC0	DMA offset register	DMOFR	32	32	2 ICLK		section 16.
0008 201Ch	DMAC0	DMA transfer enable register	DMCNT	8	8	2 ICLK		section 16.
0008 201Dh	DMAC0	DMA software start register	DMREQ	8	8	2 ICLK		section 16.
0008 201Eh	DMAC0	DMA status register	DMSTS	8	8	2 ICLK		section 16.
0008 201Fh	DMAC0	DMA activation source flag control register	DMCSL	8	8	2 ICLK		section 16.
0008 2040h	DMAC1	DMA source address register	DMSAR	32	32	2 ICLK		section 16.
0008 2044h	DMAC1	DMA destination address register	DMDAR	32	32	2 ICLK		section 16.
0008 2048h	DMAC1	DMA transfer count register	DMCRA	32	32	2 ICLK		section 16.
0008 204Ch	DMAC1	DMA block transfer count register	DMCRB	16	16	2 ICLK		section 16.
0008 2050h	DMAC1	DMA transfer mode register	DMTMD	16	16	2 ICLK		section 16.
0008 2053h	DMAC1	DMA interrupt setting register	DMINT	8	8	2 ICLK		section 16.
0008 2054h	DMAC1	DMA address mode register	DMAMD	16	16	2 ICLK		section 16.
0008 205Ch	DMAC1	DMA transfer enable register	DMCNT	8	8	2 ICLK		section 16.
0008 205Dh	DMAC1	DMA software start register	DMREQ	8	8	2 ICLK		section 16.
0008 205Eh	DMAC1	DMA status register	DMSTS	8	8	2 ICLK		section 16.
0008 205Fh	DMAC1	DMA activation source flag control register	DMCSL	8	8	2 ICLK		section 16.
0008 2080h	DMAC2	DMA source address register	DMSAR	32	32	2 ICLK		section 16.
0008 2084h	DMAC2	DMA destination address register	DMDAR	32	32	2 ICLK		section 16.
0008 2088h	DMAC2	DMA transfer count register	DMCRA	32	32	2 ICLK		section 16.
0008 208Ch	DMAC2	DMA block transfer count register	DMCRB	16	16	2 ICLK		section 16.
0008 2090h	DMAC2	DMA transfer mode register	DMTMD	16	16	2 ICLK		section 16.
0008 2093h	DMAC2	DMA interrupt setting register	DMINT	8	8	2 ICLK		section 16.
0008 2094h	DMAC2	DMA address mode register	DMAMD	16	16	2 ICLK		section 16.
0008 209Ch	DMAC2	DMA transfer enable register	DMCNT	8	8	2 ICLK		section 16.
0008 209Dh	DMAC2	DMA software start register	DMREQ	8	8	2 ICLK		section 16.
0008 209Eh	DMAC2	DMA status register	DMSTS	8	8	2 ICLK		section 16.
0008 209Fh	DMAC2	DMA activation source flag control register	DMCSL	8	8	2 ICLK		section 16.
0008 20C0h	DMAC3	DMA source address register	DMSAR	32	32	2 ICLK		section 16.
0008 20C4h	DMAC3	DMA destination address register	DMDAR	32	32	2 ICLK		section 16.
0008 20C8h	DMAC3	DMA transfer count register	DMCRA	32	32	2 ICLK		section 16.
0008 20CCh	DMAC3	DMA block transfer count register	DMCRB	16	16	2 ICLK		section 16.
0008 20D0h	DMAC3	DMA transfer mode register	DMTMD	16	16	2 ICLK		section 16.
0008 20D3h	DMAC3	DMA interrupt setting register	DMINT	8	8	2 ICLK		section 16.
0008 20D4h	DMAC3	DMA address mode register	DMAMD	16	16	2 ICLK		section 16.
0008 20DCh	DMAC3	DMA transfer enable register	DMCNT	8	8	2 ICLK		section 16.
0008 20DDh	DMAC3	DMA software start register	DMREQ	8	8	2 ICLK		section 16.
0008 20DEh	DMAC3	DMA status register	DMSTS	8	8	2 ICLK		section 16.
0008 20DFh	DMAC3	DMA activation source flag control register	DMCSL	8	8	2 ICLK		section 16.
0008 2200h	DMAC	DMA module activation register	DMAST	8	8	2 ICLK		section 16.
0008 2400h	DTC	DTC control register	DTCCR	8	8	2 ICLK		section 17.
0008 2404h	DTC	DTC vector base register	DTCVBR	32	32	2 ICLK		section 17.
0008 2408h	DTC	DTC address mode register	DTCADMOD	8	8	2 ICLK		section 17.
0008 240Ch	DTC	DTC module start register	DTCST	8	8	2 ICLK		section 17.
0008 240Eh	DTC	DTC status register	DTCSTS	16	16	2 ICLK		section 17.
0008 3002h	BSC	CS0 mode register	CS0MOD	16	16	1, 2 BCLK		section 15.
0008 3004h	BSC	CS0 wait control register 1	CS0WCR1	32	32	1, 2 BCLK		section 15.
0008 3008h	BSC	CS0 wait control register 2	CS0WCR2	32	32	1, 2 BCLK		section 15.
0008 3012h	BSC	CS1 mode register	CS1MOD	16	16	1, 2 BCLK		section 15.
0008 3014h	BSC	CS1 wait control register 1	CS1WCR1	32	32	1, 2 BCLK		section 15.
0008 3018h	BSC	CS1 wait control register 2	CS1WCR2	32	32	1, 2 BCLK		section 15.

Table 5.1 List of I/O Registers (Address Order) (3 / 30)

Address	Module Symbol	Register Name	Register Symbol	Number of Bits	Access Size	Number of Access Cycles		Reference Section
						ICLK \geq PCLK	ICLK < PCLK	
0008 3022h	BSC	CS2 mode register	CS2MOD	16	16	1, 2	BCLK	section 15.
0008 3024h	BSC	CS2 wait control register 1	CS2WCR1	32	32	1, 2	BCLK	section 15.
0008 3028h	BSC	CS2 wait control register 2	CS2WCR2	32	32	1, 2	BCLK	section 15.
0008 3032h	BSC	CS3 mode register	CS3MOD	16	16	1, 2	BCLK	section 15.
0008 3034h	BSC	CS3 wait control register 1	CS3WCR1	32	32	1, 2	BCLK	section 15.
0008 3038h	BSC	CS3 wait control register 2	CS3WCR2	32	32	1, 2	BCLK	section 15.
0008 3802h	BSC	CS0 control register	CS0CR	16	16	1, 2	BCLK	section 15.
0008 380Ah	BSC	CS0 recovery cycle register	CS0REC	16	16	1, 2	BCLK	section 15.
0008 3812h	BSC	CS1 control register	CS1CR	16	16	1, 2	BCLK	section 15.
0008 381Ah	BSC	CS1 recovery cycle register	CS1REC	16	16	1, 2	BCLK	section 15.
0008 3822h	BSC	CS2 control register	CS2CR	16	16	1, 2	BCLK	section 15.
0008 382Ah	BSC	CS2 recovery cycle register	CS2REC	16	16	1, 2	BCLK	section 15.
0008 3832h	BSC	CS3 control register	CS3CR	16	16	1, 2	BCLK	section 15.
0008 383Ah	BSC	CS3 recovery cycle register	CS3REC	16	16	1, 2	BCLK	section 15.
0008 3880h	BSC	CS recovery cycle insertion enable register	CSRECEEN	16	16	1, 2	BCLK	section 15.
0008 7010h	ICU	Interrupt request register 016	IR016	8	8	2	ICLK	section 14.
0008 7015h	ICU	Interrupt request register 021	IR021	8	8	2	ICLK	section 14.
0008 7017h	ICU	Interrupt request register 023	IR023	8	8	2	ICLK	section 14.
0008 701Bh	ICU	Interrupt request register 027	IR027	8	8	2	ICLK	section 14.
0008 701Ch	ICU	Interrupt request register 028	IR028	8	8	2	ICLK	section 14.
0008 701Dh	ICU	Interrupt request register 029	IR029	8	8	2	ICLK	section 14.
0008 701Eh	ICU	Interrupt request register 030	IR030	8	8	2	ICLK	section 14.
0008 701Fh	ICU	Interrupt request register 031	IR031	8	8	2	ICLK	section 14.
0008 7020h	ICU	Interrupt request register 032	IR032	8	8	2	ICLK	section 14.
0008 7021h	ICU	Interrupt request register 033	IR033	8	8	2	ICLK	section 14.
0008 7022h	ICU	Interrupt request register 034	IR034	8	8	2	ICLK	section 14.
0008 702Ch	ICU	Interrupt request register 044	IR044	8	8	2	ICLK	section 14.
0008 702Dh	ICU	Interrupt request register 045	IR045	8	8	2	ICLK	section 14.
0008 702Eh	ICU	Interrupt request register 046	IR046	8	8	2	ICLK	section 14.
0008 702Fh	ICU	Interrupt request register 047	IR047	8	8	2	ICLK	section 14.
0008 7039h	ICU	Interrupt request register 057	IR057	8	8	2	ICLK	section 14.
0008 703Ah	ICU	Interrupt request register 058	IR058	8	8	2	ICLK	section 14.
0008 703Bh	ICU	Interrupt request register 059	IR059	8	8	2	ICLK	section 14.
0008 703Fh	ICU	Interrupt request register 063	IR063	8	8	2	ICLK	section 14.
0008 7040h	ICU	Interrupt request register 064	IR064	8	8	2	ICLK	section 14.
0008 7041h	ICU	Interrupt request register 065	IR065	8	8	2	ICLK	section 14.
0008 7042h	ICU	Interrupt request register 066	IR066	8	8	2	ICLK	section 14.
0008 7043h	ICU	Interrupt request register 067	IR067	8	8	2	ICLK	section 14.
0008 7044h	ICU	Interrupt request register 068	IR068	8	8	2	ICLK	section 14.
0008 7045h	ICU	Interrupt request register 069	IR069	8	8	2	ICLK	section 14.
0008 7046h	ICU	Interrupt request register 070	IR070	8	8	2	ICLK	section 14.
0008 7047h	ICU	Interrupt request register 071	IR071	8	8	2	ICLK	section 14.
0008 7058h	ICU	Interrupt request register 088	IR088	8	8	2	ICLK	section 14.
0008 7059h	ICU	Interrupt request register 089	IR089	8	8	2	ICLK	section 14.
0008 705Ch	ICU	Interrupt request register 092	IR092	8	8	2	ICLK	section 14.
0008 705Dh	ICU	Interrupt request register 093	IR093	8	8	2	ICLK	section 14.
0008 7066h	ICU	Interrupt request register 102	IR102	8	8	2	ICLK	section 14.
0008 7067h	ICU	Interrupt request register 103	IR103	8	8	2	ICLK	section 14.
0008 706Ah	ICU	Interrupt request register 106	IR106	8	8	2	ICLK	section 14.
0008 706Bh	ICU	Interrupt request register 107	IR107	8	8	2	ICLK	section 14.
0008 7072h	ICU	Interrupt request register 114	IR114	8	8	2	ICLK	section 14.

Table 5.1 List of I/O Registers (Address Order) (4 / 30)

Address	Module Symbol	Register Name	Register Symbol	Number of Bits	Access Size	Number of Access Cycles		Reference Section
						ICLK \geq PCLK	ICLK $<$ PCLK	
0008 7073h	ICU	Interrupt request register 115	IR115	8	8	2	ICLK	section 14.
0008 7074h	ICU	Interrupt request register 116	IR116	8	8	2	ICLK	section 14.
0008 7075h	ICU	Interrupt request register 117	IR117	8	8	2	ICLK	section 14.
0008 7076h	ICU	Interrupt request register 118	IR118	8	8	2	ICLK	section 14.
0008 7077h	ICU	Interrupt request register 119	IR119	8	8	2	ICLK	section 14.
0008 7078h	ICU	Interrupt request register 120	IR120	8	8	2	ICLK	section 14.
0008 7079h	ICU	Interrupt request register 121	IR121	8	8	2	ICLK	section 14.
0008 707Ah	ICU	Interrupt request register 122	IR122	8	8	2	ICLK	section 14.
0008 707Bh	ICU	Interrupt request register 123	IR123	8	8	2	ICLK	section 14.
0008 707Ch	ICU	Interrupt request register 124	IR124	8	8	2	ICLK	section 14.
0008 707Dh	ICU	Interrupt request register 125	IR125	8	8	2	ICLK	section 14.
0008 707Eh	ICU	Interrupt request register 126	IR126	8	8	2	ICLK	section 14.
0008 707Fh	ICU	Interrupt request register 127	IR127	8	8	2	ICLK	section 14.
0008 7080h	ICU	Interrupt request register 128	IR128	8	8	2	ICLK	section 14.
0008 7081h	ICU	Interrupt request register 129	IR129	8	8	2	ICLK	section 14.
0008 7082h	ICU	Interrupt request register 130	IR130	8	8	2	ICLK	section 14.
0008 7083h	ICU	Interrupt request register 131	IR131	8	8	2	ICLK	section 14.
0008 7084h	ICU	Interrupt request register 132	IR132	8	8	2	ICLK	section 14.
0008 7085h	ICU	Interrupt request register 133	IR133	8	8	2	ICLK	section 14.
0008 7086h	ICU	Interrupt request register 134	IR134	8	8	2	ICLK	section 14.
0008 7087h	ICU	Interrupt request register 135	IR135	8	8	2	ICLK	section 14.
0008 7088h	ICU	Interrupt request register 136	IR136	8	8	2	ICLK	section 14.
0008 7089h	ICU	Interrupt request register 137	IR137	8	8	2	ICLK	section 14.
0008 708Ah	ICU	Interrupt request register 138	IR138	8	8	2	ICLK	section 14.
0008 708Bh	ICU	Interrupt request register 139	IR139	8	8	2	ICLK	section 14.
0008 708Ch	ICU	Interrupt request register 140	IR140	8	8	2	ICLK	section 14.
0008 708Dh	ICU	Interrupt request register 141	IR141	8	8	2	ICLK	section 14.
0008 708Eh	ICU	Interrupt request register 142	IR142	8	8	2	ICLK	section 14.
0008 708Fh	ICU	Interrupt request register 143	IR143	8	8	2	ICLK	section 14.
0008 7090h	ICU	Interrupt request register 144	IR144	8	8	2	ICLK	section 14.
0008 7091h	ICU	Interrupt request register 145	IR145	8	8	2	ICLK	section 14.
0008 7092h	ICU	Interrupt request register 146	IR146	8	8	2	ICLK	section 14.
0008 7093h	ICU	Interrupt request register 147	IR147	8	8	2	ICLK	section 14.
0008 7094h	ICU	Interrupt request register 148	IR148	8	8	2	ICLK	section 14.
0008 7095h	ICU	Interrupt request register 149	IR149	8	8	2	ICLK	section 14.
0008 7096h	ICU	Interrupt request register 150	IR150	8	8	2	ICLK	section 14.
0008 7097h	ICU	Interrupt request register 151	IR151	8	8	2	ICLK	section 14.
0008 7098h	ICU	Interrupt request register 152	IR152	8	8	2	ICLK	section 14.
0008 7099h	ICU	Interrupt request register 153	IR153	8	8	2	ICLK	section 14.
0008 709Ah	ICU	Interrupt request register 154	IR154	8	8	2	ICLK	section 14.
0008 709Bh	ICU	Interrupt request register 155	IR155	8	8	2	ICLK	section 14.
0008 709Ch	ICU	Interrupt request register 156	IR156	8	8	2	ICLK	section 14.
0008 709Dh	ICU	Interrupt request register 157	IR157	8	8	2	ICLK	section 14.
0008 709Eh	ICU	Interrupt request register 158	IR158	8	8	2	ICLK	section 14.
0008 709Fh	ICU	Interrupt request register 159	IR159	8	8	2	ICLK	section 14.
0008 70A0h	ICU	Interrupt request register 160	IR160	8	8	2	ICLK	section 14.
0008 70A1h	ICU	Interrupt request register 161	IR161	8	8	2	ICLK	section 14.
0008 70A2h	ICU	Interrupt request register 162	IR162	8	8	2	ICLK	section 14.
0008 70A3h	ICU	Interrupt request register 163	IR163	8	8	2	ICLK	section 14.
0008 70A4h	ICU	Interrupt request register 164	IR164	8	8	2	ICLK	section 14.
0008 70A5h	ICU	Interrupt request register 165	IR165	8	8	2	ICLK	section 14.

Table 5.1 List of I/O Registers (Address Order) (5 / 30)

Address	Module Symbol	Register Name	Register Symbol	Number of Bits	Access Size	Number of Access Cycles		Reference Section
						ICLK \geq PCLK	ICLK $<$ PCLK	
0008 70A6h	ICU	Interrupt request register 166	IR166	8	8	2	ICLK	section 14.
0008 70A7h	ICU	Interrupt request register 167	IR167	8	8	2	ICLK	section 14.
0008 70AAh	ICU	Interrupt request register 170	IR170	8	8	2	ICLK	section 14.
0008 70ABh	ICU	Interrupt request register 171	IR171	8	8	2	ICLK	section 14.
0008 70AEh	ICU	Interrupt request register 174	IR174	8	8	2	ICLK	section 14.
0008 70AFh	ICU	Interrupt request register 175	IR175	8	8	2	ICLK	section 14.
0008 70B0h	ICU	Interrupt request register 176	IR176	8	8	2	ICLK	section 14.
0008 70B1h	ICU	Interrupt request register 177	IR177	8	8	2	ICLK	section 14.
0008 70B2h	ICU	Interrupt request register 178	IR178	8	8	2	ICLK	section 14.
0008 70B3h	ICU	Interrupt request register 179	IR179	8	8	2	ICLK	section 14.
0008 70B4h	ICU	Interrupt request register 180	IR180	8	8	2	ICLK	section 14.
0008 70B5h	ICU	Interrupt request register 181	IR181	8	8	2	ICLK	section 14.
0008 70B6h	ICU	Interrupt request register 182	IR182	8	8	2	ICLK	section 14.
0008 70B7h	ICU	Interrupt request register 183	IR183	8	8	2	ICLK	section 14.
0008 70B8h	ICU	Interrupt request register 184	IR184	8	8	2	ICLK	section 14.
0008 70B9h	ICU	Interrupt request register 185	IR185	8	8	2	ICLK	section 14.
0008 70BAh	ICU	Interrupt request register 186	IR186	8	8	2	ICLK	section 14.
0008 70BBh	ICU	Interrupt request register 187	IR187	8	8	2	ICLK	section 14.
0008 70BCh	ICU	Interrupt request register 188	IR188	8	8	2	ICLK	section 14.
0008 70BDh	ICU	Interrupt request register 189	IR189	8	8	2	ICLK	section 14.
0008 70BEh	ICU	Interrupt request register 190	IR190	8	8	2	ICLK	section 14.
0008 70BFh	ICU	Interrupt request register 191	IR191	8	8	2	ICLK	section 14.
0008 70C0h	ICU	Interrupt request register 192	IR192	8	8	2	ICLK	section 14.
0008 70C1h	ICU	Interrupt request register 193	IR193	8	8	2	ICLK	section 14.
0008 70C2h	ICU	Interrupt request register 194	IR194	8	8	2	ICLK	section 14.
0008 70C3h	ICU	Interrupt request register 195	IR195	8	8	2	ICLK	section 14.
0008 70C4h	ICU	Interrupt request register 196	IR196	8	8	2	ICLK	section 14.
0008 70C5h	ICU	Interrupt request register 197	IR197	8	8	2	ICLK	section 14.
0008 70C6h	ICU	Interrupt request register 198	IR198	8	8	2	ICLK	section 14.
0008 70C7h	ICU	Interrupt request register 199	IR199	8	8	2	ICLK	section 14.
0008 70C8h	ICU	Interrupt request register 200	IR200	8	8	2	ICLK	section 14.
0008 70C9h	ICU	Interrupt request register 201	IR201	8	8	2	ICLK	section 14.
0008 70CEh	ICU	Interrupt request register 206	IR206	8	8	2	ICLK	section 14.
0008 70CFh	ICU	Interrupt request register 207	IR207	8	8	2	ICLK	section 14.
0008 70D0h	ICU	Interrupt request register 208	IR208	8	8	2	ICLK	section 14.
0008 70D1h	ICU	Interrupt request register 209	IR209	8	8	2	ICLK	section 14.
0008 70D2h	ICU	Interrupt request register 210	IR210	8	8	2	ICLK	section 14.
0008 70D3h	ICU	Interrupt request register 211	IR211	8	8	2	ICLK	section 14.
0008 70D4h	ICU	Interrupt request register 212	IR212	8	8	2	ICLK	section 14.
0008 70D5h	ICU	Interrupt request register 213	IR213	8	8	2	ICLK	section 14.
0008 70D6h	ICU	Interrupt request register 214	IR214	8	8	2	ICLK	section 14.
0008 70D7h	ICU	Interrupt request register 215	IR215	8	8	2	ICLK	section 14.
0008 70D8h	ICU	Interrupt request register 216	IR216	8	8	2	ICLK	section 14.
0008 70D9h	ICU	Interrupt request register 217	IR217	8	8	2	ICLK	section 14.
0008 70DAh	ICU	Interrupt request register 218	IR218	8	8	2	ICLK	section 14.
0008 70DBh	ICU	Interrupt request register 219	IR219	8	8	2	ICLK	section 14.
0008 70DCh	ICU	Interrupt request register 220	IR220	8	8	2	ICLK	section 14.
0008 70DDh	ICU	Interrupt request register 221	IR221	8	8	2	ICLK	section 14.
0008 70DEh	ICU	Interrupt request register 222	IR222	8	8	2	ICLK	section 14.
0008 70DFh	ICU	Interrupt request register 223	IR223	8	8	2	ICLK	section 14.
0008 70E0h	ICU	Interrupt request register 224	IR224	8	8	2	ICLK	section 14.

Table 5.1 List of I/O Registers (Address Order) (6 / 30)

Address	Module Symbol	Register Name	Register Symbol	Number of Bits	Access Size	Number of Access Cycles		Reference Section
						ICLK \geq PCLK	ICLK $<$ PCLK	
0008 70E1h	ICU	Interrupt request register 225	IR225	8	8	2	ICLK	section 14.
0008 70E2h	ICU	Interrupt request register 226	IR226	8	8	2	ICLK	section 14.
0008 70E3h	ICU	Interrupt request register 227	IR227	8	8	2	ICLK	section 14.
0008 70E4h	ICU	Interrupt request register 228	IR228	8	8	2	ICLK	section 14.
0008 70E5h	ICU	Interrupt request register 229	IR229	8	8	2	ICLK	section 14.
0008 70E6h	ICU	Interrupt request register 230	IR230	8	8	2	ICLK	section 14.
0008 70E7h	ICU	Interrupt request register 231	IR231	8	8	2	ICLK	section 14.
0008 70E8h	ICU	Interrupt request register 232	IR232	8	8	2	ICLK	section 14.
0008 70E9h	ICU	Interrupt request register 233	IR233	8	8	2	ICLK	section 14.
0008 70EAh	ICU	Interrupt request register 234	IR234	8	8	2	ICLK	section 14.
0008 70EBh	ICU	Interrupt request register 235	IR235	8	8	2	ICLK	section 14.
0008 70ECh	ICU	Interrupt request register 236	IR236	8	8	2	ICLK	section 14.
0008 70EDh	ICU	Interrupt request register 237	IR237	8	8	2	ICLK	section 14.
0008 70EEh	ICU	Interrupt request register 238	IR238	8	8	2	ICLK	section 14.
0008 70EFh	ICU	Interrupt request register 239	IR239	8	8	2	ICLK	section 14.
0008 70F0h	ICU	Interrupt request register 240	IR240	8	8	2	ICLK	section 14.
0008 70F1h	ICU	Interrupt request register 241	IR241	8	8	2	ICLK	section 14.
0008 70F2h	ICU	Interrupt request register 242	IR242	8	8	2	ICLK	section 14.
0008 70F3h	ICU	Interrupt request register 243	IR243	8	8	2	ICLK	section 14.
0008 70F4h	ICU	Interrupt request register 244	IR244	8	8	2	ICLK	section 14.
0008 70F5h	ICU	Interrupt request register 245	IR245	8	8	2	ICLK	section 14.
0008 70F6h	ICU	Interrupt request register 246	IR246	8	8	2	ICLK	section 14.
0008 70F7h	ICU	Interrupt request register 247	IR247	8	8	2	ICLK	section 14.
0008 70F8h	ICU	Interrupt request register 248	IR248	8	8	2	ICLK	section 14.
0008 70F9h	ICU	Interrupt request register 249	IR249	8	8	2	ICLK	section 14.
0008 70FAh	ICU	Interrupt request register 250	IR250	8	8	2	ICLK	section 14.
0008 70FBh	ICU	Interrupt request register 251	IR251	8	8	2	ICLK	section 14.
0008 70FCh	ICU	Interrupt request register 252	IR252	8	8	2	ICLK	section 14.
0008 70FDh	ICU	Interrupt request register 253	IR253	8	8	2	ICLK	section 14.
0008 711Bh	ICU	DTC activation enable register 027	DTCER027	8	8	2	ICLK	section 14.
0008 711Ch	ICU	DTC activation enable register 028	DTCER028	8	8	2	ICLK	section 14.
0008 711Dh	ICU	DTC activation enable register 029	DTCER029	8	8	2	ICLK	section 14.
0008 711Eh	ICU	DTC activation enable register 030	DTCER030	8	8	2	ICLK	section 14.
0008 711Fh	ICU	DTC activation enable register 031	DTCER031	8	8	2	ICLK	section 14.
0008 712Dh	ICU	DTC activation enable register 045	DTCER045	8	8	2	ICLK	section 14.
0008 712Eh	ICU	DTC activation enable register 046	DTCER046	8	8	2	ICLK	section 14.
0008 713Ah	ICU	DTC activation enable register 058	DTCER058	8	8	2	ICLK	section 14.
0008 713Bh	ICU	DTC activation enable register 059	DTCER059	8	8	2	ICLK	section 14.
0008 7140h	ICU	DTC activation enable register 064	DTCER064	8	8	2	ICLK	section 14.
0008 7141h	ICU	DTC activation enable register 065	DTCER065	8	8	2	ICLK	section 14.
0008 7142h	ICU	DTC activation enable register 066	DTCER066	8	8	2	ICLK	section 14.
0008 7143h	ICU	DTC activation enable register 067	DTCER067	8	8	2	ICLK	section 14.
0008 7144h	ICU	DTC activation enable register 068	DTCER068	8	8	2	ICLK	section 14.
0008 7145h	ICU	DTC activation enable register 069	DTCER069	8	8	2	ICLK	section 14.
0008 7146h	ICU	DTC activation enable register 070	DTCER070	8	8	2	ICLK	section 14.
0008 7147h	ICU	DTC activation enable register 071	DTCER071	8	8	2	ICLK	section 14.
0008 7166h	ICU	DTC activation enable register 102	DTCER102	8	8	2	ICLK	section 14.
0008 7167h	ICU	DTC activation enable register 103	DTCER103	8	8	2	ICLK	section 14.
0008 716Ah	ICU	DTC activation enable register 106	DTCER106	8	8	2	ICLK	section 14.
0008 716Bh	ICU	DTC activation enable register 107	DTCER107	8	8	2	ICLK	section 14.
0008 7172h	ICU	DTC activation enable register 114	DTCER114	8	8	2	ICLK	section 14.

Table 5.1 List of I/O Registers (Address Order) (7 / 30)

Address	Module Symbol	Register Name	Register Symbol	Number of Bits	Access Size	Number of Access Cycles		Reference Section
						ICLK \geq PCLK	ICLK $<$ PCLK	
0008 7173h	ICU	DTC activation enable register 115	DTCER115	8	8	2	ICLK	section 14.
0008 7174h	ICU	DTC activation enable register 116	DTCER116	8	8	2	ICLK	section 14.
0008 7175h	ICU	DTC activation enable register 117	DTCER117	8	8	2	ICLK	section 14.
0008 7179h	ICU	DTC activation enable register 121	DTCER121	8	8	2	ICLK	section 14.
0008 717Ah	ICU	DTC activation enable register 122	DTCER122	8	8	2	ICLK	section 14.
0008 717Dh	ICU	DTC activation enable register 125	DTCER125	8	8	2	ICLK	section 14.
0008 717Eh	ICU	DTC activation enable register 126	DTCER126	8	8	2	ICLK	section 14.
0008 7181h	ICU	DTC activation enable register 129	DTCER129	8	8	2	ICLK	section 14.
0008 7182h	ICU	DTC activation enable register 130	DTCER130	8	8	2	ICLK	section 14.
0008 7183h	ICU	DTC activation enable register 131	DTCER131	8	8	2	ICLK	section 14.
0008 7184h	ICU	DTC activation enable register 132	DTCER132	8	8	2	ICLK	section 14.
0008 7186h	ICU	DTC activation enable register 134	DTCER134	8	8	2	ICLK	section 14.
0008 7187h	ICU	DTC activation enable register 135	DTCER135	8	8	2	ICLK	section 14.
0008 7188h	ICU	DTC activation enable register 136	DTCER136	8	8	2	ICLK	section 14.
0008 7189h	ICU	DTC activation enable register 137	DTCER137	8	8	2	ICLK	section 14.
0008 718Ah	ICU	DTC activation enable register 138	DTCER138	8	8	2	ICLK	section 14.
0008 718Bh	ICU	DTC activation enable register 139	DTCER139	8	8	2	ICLK	section 14.
0008 718Ch	ICU	DTC activation enable register 140	DTCER140	8	8	2	ICLK	section 14.
0008 718Dh	ICU	DTC activation enable register 141	DTCER141	8	8	2	ICLK	section 14.
0008 718Eh	ICU	DTC activation enable register 142	DTCER142	8	8	2	ICLK	section 14.
0008 718Fh	ICU	DTC activation enable register 143	DTCER143	8	8	2	ICLK	section 14.
0008 7190h	ICU	DTC activation enable register 144	DTCER144	8	8	2	ICLK	section 14.
0008 7191h	ICU	DTC activation enable register 145	DTCER145	8	8	2	ICLK	section 14.
0008 7193h	ICU	DTC activation enable register 147	DTCER147	8	8	2	ICLK	section 14.
0008 7194h	ICU	DTC activation enable register 148	DTCER148	8	8	2	ICLK	section 14.
0008 7197h	ICU	DTC activation enable register 151	DTCER151	8	8	2	ICLK	section 14.
0008 7198h	ICU	DTC activation enable register 152	DTCER152	8	8	2	ICLK	section 14.
0008 719Bh	ICU	DTC activation enable register 155	DTCER155	8	8	2	ICLK	section 14.
0008 719Ch	ICU	DTC activation enable register 156	DTCER156	8	8	2	ICLK	section 14.
0008 719Dh	ICU	DTC activation enable register 157	DTCER157	8	8	2	ICLK	section 14.
0008 719Eh	ICU	DTC activation enable register 158	DTCER158	8	8	2	ICLK	section 14.
0008 71A0h	ICU	DTC activation enable register 160	DTCER160	8	8	2	ICLK	section 14.
0008 71A1h	ICU	DTC activation enable register 161	DTCER161	8	8	2	ICLK	section 14.
0008 71A4h	ICU	DTC activation enable register 164	DTCER164	8	8	2	ICLK	section 14.
0008 71A5h	ICU	DTC activation enable register 165	DTCER165	8	8	2	ICLK	section 14.
0008 71AEh	ICU	DTC activation enable register 174	DTCER174	8	8	2	ICLK	section 14.
0008 71AFh	ICU	DTC activation enable register 175	DTCER175	8	8	2	ICLK	section 14.
0008 71B1h	ICU	DTC activation enable register 177	DTCER177	8	8	2	ICLK	section 14.
0008 71B2h	ICU	DTC activation enable register 178	DTCER178	8	8	2	ICLK	section 14.
0008 71B4h	ICU	DTC activation enable register 180	DTCER180	8	8	2	ICLK	section 14.
0008 71B5h	ICU	DTC activation enable register 181	DTCER181	8	8	2	ICLK	section 14.
0008 71B7h	ICU	DTC activation enable register 183	DTCER183	8	8	2	ICLK	section 14.
0008 71B8h	ICU	DTC activation enable register 184	DTCER184	8	8	2	ICLK	section 14.
0008 71BBh	ICU	DTC activation enable register 187	DTCER187	8	8	2	ICLK	section 14.
0008 71BCh	ICU	DTC activation enable register 188	DTCER188	8	8	2	ICLK	section 14.
0008 71BFh	ICU	DTC activation enable register 191	DTCER191	8	8	2	ICLK	section 14.
0008 71C0h	ICU	DTC activation enable register 192	DTCER192	8	8	2	ICLK	section 14.
0008 71C3h	ICU	DTC activation enable register 195	DTCER195	8	8	2	ICLK	section 14.
0008 71C4h	ICU	DTC activation enable register 196	DTCER196	8	8	2	ICLK	section 14.
0008 71C6h	ICU	DTC activation enable register 198	DTCER198	8	8	2	ICLK	section 14.
0008 71C7h	ICU	DTC activation enable register 199	DTCER199	8	8	2	ICLK	section 14.

Table 5.1 List of I/O Registers (Address Order) (8 / 30)

Address	Module Symbol	Register Name	Register Symbol	Number of Bits	Access Size	Number of Access Cycles		Reference Section
						ICLK \geq PCLK	ICLK $<$ PCLK	
0008 71C8h	ICU	DTC activation enable register 200	DTCER200	8	8	2	ICLK	section 14.
0008 71C9h	ICU	DTC activation enable register 201	DTCER201	8	8	2	ICLK	section 14.
0008 71CFh	ICU	DTC activation enable register 207	DTCER207	8	8	2	ICLK	section 14.
0008 71D0h	ICU	DTC activation enable register 208	DTCER208	8	8	2	ICLK	section 14.
0008 71D3h	ICU	DTC activation enable register 211	DTCER211	8	8	2	ICLK	section 14.
0008 71D4h	ICU	DTC activation enable register 212	DTCER212	8	8	2	ICLK	section 14.
0008 71D7h	ICU	DTC activation enable register 215	DTCER215	8	8	2	ICLK	section 14.
0008 71D8h	ICU	DTC activation enable register 216	DTCER216	8	8	2	ICLK	section 14.
0008 71DBh	ICU	DTC activation enable register 219	DTCER219	8	8	2	ICLK	section 14.
0008 71DCh	ICU	DTC activation enable register 220	DTCER220	8	8	2	ICLK	section 14.
0008 71DFh	ICU	DTC activation enable register 223	DTCER223	8	8	2	ICLK	section 14.
0008 71E0h	ICU	DTC activation enable register 224	DTCER224	8	8	2	ICLK	section 14.
0008 71E3h	ICU	DTC activation enable register 227	DTCER227	8	8	2	ICLK	section 14.
0008 71E4h	ICU	DTC activation enable register 228	DTCER228	8	8	2	ICLK	section 14.
0008 71E7h	ICU	DTC activation enable register 231	DTCER231	8	8	2	ICLK	section 14.
0008 71E8h	ICU	DTC activation enable register 232	DTCER232	8	8	2	ICLK	section 14.
0008 71EBh	ICU	DTC activation enable register 235	DTCER235	8	8	2	ICLK	section 14.
0008 71ECh	ICU	DTC activation enable register 236	DTCER236	8	8	2	ICLK	section 14.
0008 71EFh	ICU	DTC activation enable register 239	DTCER239	8	8	2	ICLK	section 14.
0008 71F0h	ICU	DTC activation enable register 240	DTCER240	8	8	2	ICLK	section 14.
0008 71F7h	ICU	DTC activation enable register 247	DTCER247	8	8	2	ICLK	section 14.
0008 71F8h	ICU	DTC activation enable register 248	DTCER248	8	8	2	ICLK	section 14.
0008 71FBh	ICU	DTC activation enable register 251	DTCER251	8	8	2	ICLK	section 14.
0008 71FCh	ICU	DTC activation enable register 252	DTCER252	8	8	2	ICLK	section 14.
0008 7202h	ICU	Interrupt request enable register 02	IER02	8	8	2	ICLK	section 14.
0008 7203h	ICU	Interrupt request enable register 03	IER03	8	8	2	ICLK	section 14.
0008 7204h	ICU	Interrupt request enable register 04	IER04	8	8	2	ICLK	section 14.
0008 7205h	ICU	Interrupt request enable register 05	IER05	8	8	2	ICLK	section 14.
0008 7207h	ICU	Interrupt request enable register 07	IER07	8	8	2	ICLK	section 14.
0008 7208h	ICU	Interrupt request enable register 08	IER08	8	8	2	ICLK	section 14.
0008 720Bh	ICU	Interrupt request enable register 0B	IER0B	8	8	2	ICLK	section 14.
0008 720Ch	ICU	Interrupt request enable register 0C	IER0C	8	8	2	ICLK	section 14.
0008 720Dh	ICU	Interrupt request enable register 0D	IER0D	8	8	2	ICLK	section 14.
0008 720Eh	ICU	Interrupt request enable register 0E	IER0E	8	8	2	ICLK	section 14.
0008 720Fh	ICU	Interrupt request enable register 0F	IER0F	8	8	2	ICLK	section 14.
0008 7210h	ICU	Interrupt request enable register 10	IER10	8	8	2	ICLK	section 14.
0008 7211h	ICU	Interrupt request enable register 11	IER11	8	8	2	ICLK	section 14.
0008 7212h	ICU	Interrupt request enable register 12	IER12	8	8	2	ICLK	section 14.
0008 7213h	ICU	Interrupt request enable register 13	IER13	8	8	2	ICLK	section 14.
0008 7214h	ICU	Interrupt request enable register 14	IER14	8	8	2	ICLK	section 14.
0008 7215h	ICU	Interrupt request enable register 15	IER15	8	8	2	ICLK	section 14.
0008 7216h	ICU	Interrupt request enable register 16	IER16	8	8	2	ICLK	section 14.
0008 7217h	ICU	Interrupt request enable register 17	IER17	8	8	2	ICLK	section 14.
0008 7218h	ICU	Interrupt request enable register 18	IER18	8	8	2	ICLK	section 14.
0008 7219h	ICU	Interrupt request enable register 19	IER19	8	8	2	ICLK	section 14.
0008 721Ah	ICU	Interrupt request enable register 1A	IER1A	8	8	2	ICLK	section 14.
0008 721Bh	ICU	Interrupt request enable register 1B	IER1B	8	8	2	ICLK	section 14.
0008 721Ch	ICU	Interrupt request enable register 1C	IER1C	8	8	2	ICLK	section 14.
0008 721Dh	ICU	Interrupt request enable register 1D	IER1D	8	8	2	ICLK	section 14.
0008 721Eh	ICU	Interrupt request enable register 1E	IER1E	8	8	2	ICLK	section 14.
0008 721Fh	ICU	Interrupt request enable register 1F	IER1F	8	8	2	ICLK	section 14.

Table 5.1 List of I/O Registers (Address Order) (9 / 30)

Address	Module Symbol	Register Name	Register Symbol	Number of Bits	Access Size	Number of Access Cycles		Reference Section
						ICLK \geq PCLK	ICLK $<$ PCLK	
0008 72E0h	ICU	Software interrupt activation register	SWINTR	8	8	2	ICLK	section 14.
0008 72F0h	ICU	Fast interrupt set register	FIR	16	16	2	ICLK	section 14.
0008 7300h	ICU	Interrupt source priority register 000	IPR000	8	8	2	ICLK	section 14.
0008 7301h	ICU	Interrupt source priority register 001	IPR001	8	8	2	ICLK	section 14.
0008 7302h	ICU	Interrupt source priority register 002	IPR002	8	8	2	ICLK	section 14.
0008 7303h	ICU	Interrupt source priority register 003	IPR003	8	8	2	ICLK	section 14.
0008 7304h	ICU	Interrupt source priority register 004	IPR004	8	8	2	ICLK	section 14.
0008 7305h	ICU	Interrupt source priority register 005	IPR005	8	8	2	ICLK	section 14.
0008 7306h	ICU	Interrupt source priority register 006	IPR006	8	8	2	ICLK	section 14.
0008 7307h	ICU	Interrupt source priority register 007	IPR007	8	8	2	ICLK	section 14.
0008 7320h	ICU	Interrupt source priority register 032	IPR032	8	8	2	ICLK	section 14.
0008 7321h	ICU	Interrupt source priority register 033	IPR033	8	8	2	ICLK	section 14.
0008 7322h	ICU	Interrupt source priority register 034	IPR034	8	8	2	ICLK	section 14.
0008 732Ch	ICU	Interrupt source priority register 044	IPR044	8	8	2	ICLK	section 14.
0008 7339h	ICU	Interrupt source priority register 057	IPR057	8	8	2	ICLK	section 14.
0008 733Ah	ICU	Interrupt source priority register 058	IPR058	8	8	2	ICLK	section 14.
0008 733Bh	ICU	Interrupt source priority register 059	IPR059	8	8	2	ICLK	section 14.
0008 733Fh	ICU	Interrupt source priority register 063	IPR063	8	8	2	ICLK	section 14.
0008 7340h	ICU	Interrupt source priority register 064	IPR064	8	8	2	ICLK	section 14.
0008 7341h	ICU	Interrupt source priority register 065	IPR065	8	8	2	ICLK	section 14.
0008 7342h	ICU	Interrupt source priority register 066	IPR066	8	8	2	ICLK	section 14.
0008 7343h	ICU	Interrupt source priority register 067	IPR067	8	8	2	ICLK	section 14.
0008 7344h	ICU	Interrupt source priority register 068	IPR068	8	8	2	ICLK	section 14.
0008 7345h	ICU	Interrupt source priority register 069	IPR069	8	8	2	ICLK	section 14.
0008 7346h	ICU	Interrupt source priority register 070	IPR070	8	8	2	ICLK	section 14.
0008 7347h	ICU	Interrupt source priority register 071	IPR071	8	8	2	ICLK	section 14.
0008 7358h	ICU	Interrupt source priority register 088	IPR088	8	8	2	ICLK	section 14.
0008 7359h	ICU	Interrupt source priority register 089	IPR089	8	8	2	ICLK	section 14.
0008 735Ch	ICU	Interrupt source priority register 092	IPR092	8	8	2	ICLK	section 14.
0008 735Dh	ICU	Interrupt source priority register 093	IPR093	8	8	2	ICLK	section 14.
0008 7366h	ICU	Interrupt source priority register 102	IPR102	8	8	2	ICLK	section 14.
0008 7367h	ICU	Interrupt source priority register 103	IPR103	8	8	2	ICLK	section 14.
0008 736Ah	ICU	Interrupt source priority register 106	IPR106	8	8	2	ICLK	section 14.
0008 736Bh	ICU	Interrupt source priority register 107	IPR107	8	8	2	ICLK	section 14.
0008 7372h	ICU	Interrupt source priority register 114	IPR114	8	8	2	ICLK	section 14.
0008 7376h	ICU	Interrupt source priority register 118	IPR118	8	8	2	ICLK	section 14.
0008 7379h	ICU	Interrupt source priority register 121	IPR121	8	8	2	ICLK	section 14.
0008 737Bh	ICU	Interrupt source priority register 123	IPR123	8	8	2	ICLK	section 14.
0008 737Dh	ICU	Interrupt source priority register 125	IPR125	8	8	2	ICLK	section 14.
0008 737Fh	ICU	Interrupt source priority register 127	IPR127	8	8	2	ICLK	section 14.
0008 7381h	ICU	Interrupt source priority register 129	IPR129	8	8	2	ICLK	section 14.
0008 7385h	ICU	Interrupt source priority register 133	IPR133	8	8	2	ICLK	section 14.
0008 7386h	ICU	Interrupt source priority register 134	IPR134	8	8	2	ICLK	section 14.
0008 738Ah	ICU	Interrupt source priority register 138	IPR138	8	8	2	ICLK	section 14.
0008 738Bh	ICU	Interrupt source priority register 139	IPR139	8	8	2	ICLK	section 14.
0008 738Eh	ICU	Interrupt source priority register 142	IPR142	8	8	2	ICLK	section 14.
0008 7392h	ICU	Interrupt source priority register 146	IPR146	8	8	2	ICLK	section 14.
0008 7393h	ICU	Interrupt source priority register 147	IPR147	8	8	2	ICLK	section 14.
0008 7395h	ICU	Interrupt source priority register 149	IPR149	8	8	2	ICLK	section 14.
0008 7397h	ICU	Interrupt source priority register 151	IPR151	8	8	2	ICLK	section 14.
0008 7399h	ICU	Interrupt source priority register 153	IPR153	8	8	2	ICLK	section 14.

Table 5.1 List of I/O Registers (Address Order) (10 / 30)

Address	Module Symbol	Register Name	Register Symbol	Number of Bits	Access Size	Number of Access Cycles		Reference Section
						ICLK \geq PCLK	ICLK $<$ PCLK	
0008 739Bh	ICU	Interrupt source priority register 155	IPR155	8	8	2	ICLK	section 14.
0008 739Fh	ICU	Interrupt source priority register 159	IPR159	8	8	2	ICLK	section 14.
0008 73A0h	ICU	Interrupt source priority register 160	IPR160	8	8	2	ICLK	section 14.
0008 738A2	ICU	Interrupt source priority register 162	IPR162	8	8	2	ICLK	section 14.
0008 73A4h	ICU	Interrupt source priority register 164	IPR164	8	8	2	ICLK	section 14.
0008 73A6h	ICU	Interrupt source priority register 166	IPR166	8	8	2	ICLK	section 14.
0008 73AAh	ICU	Interrupt source priority register 170	IPR170	8	8	2	ICLK	section 14.
0008 73ABh	ICU	Interrupt source priority register 171	IPR171	8	8	2	ICLK	section 14.
0008 73AEh	ICU	Interrupt source priority register 174	IPR174	8	8	2	ICLK	section 14.
0008 73B1h	ICU	Interrupt source priority register 177	IPR177	8	8	2	ICLK	section 14.
0008 73B4h	ICU	Interrupt source priority register 180	IPR180	8	8	2	ICLK	section 14.
0008 73B7h	ICU	Interrupt source priority register 183	IPR183	8	8	2	ICLK	section 14.
0008 73BAh	ICU	Interrupt source priority register 186	IPR186	8	8	2	ICLK	section 14.
0008 73BEh	ICU	Interrupt source priority register 190	IPR190	8	8	2	ICLK	section 14.
0008 73C2h	ICU	Interrupt source priority register 194	IPR194	8	8	2	ICLK	section 14.
0008 73C6h	ICU	Interrupt source priority register 198	IPR198	8	8	2	ICLK	section 14.
0008 73C7h	ICU	Interrupt source priority register 199	IPR199	8	8	2	ICLK	section 14.
0008 73C8h	ICU	Interrupt source priority register 200	IPR200	8	8	2	ICLK	section 14.
0008 73C9h	ICU	Interrupt source priority register 201	IPR201	8	8	2	ICLK	section 14.
0008 73CEh	ICU	Interrupt source priority register 206	IPR206	8	8	2	ICLK	section 14.
0008 73D2h	ICU	Interrupt source priority register 210	IPR210	8	8	2	ICLK	section 14.
0008 73D6h	ICU	Interrupt source priority register 214	IPR214	8	8	2	ICLK	section 14.
0008 73DAh	ICU	Interrupt source priority register 218	IPR218	8	8	2	ICLK	section 14.
0008 73DEh	ICU	Interrupt source priority register 222	IPR222	8	8	2	ICLK	section 14.
0008 73E2h	ICU	Interrupt source priority register 226	IPR226	8	8	2	ICLK	section 14.
0008 73E6h	ICU	Interrupt source priority register 230	IPR230	8	8	2	ICLK	section 14.
0008 73EAh	ICU	Interrupt source priority register 234	IPR234	8	8	2	ICLK	section 14.
0008 73EEh	ICU	Interrupt source priority register 238	IPR238	8	8	2	ICLK	section 14.
0008 73F2h	ICU	Interrupt source priority register 242	IPR242	8	8	2	ICLK	section 14.
0008 73F3h	ICU	Interrupt source priority register 243	IPR243	8	8	2	ICLK	section 14.
0008 73F4h	ICU	Interrupt source priority register 244	IPR244	8	8	2	ICLK	section 14.
0008 73F5h	ICU	Interrupt source priority register 245	IPR245	8	8	2	ICLK	section 14.
0008 73F6h	ICU	Interrupt source priority register 246	IPR246	8	8	2	ICLK	section 14.
0008 73F7h	ICU	Interrupt source priority register 247	IPR247	8	8	2	ICLK	section 14.
0008 73F8h	ICU	Interrupt source priority register 248	IPR248	8	8	2	ICLK	section 14.
0008 73F9h	ICU	Interrupt source priority register 249	IPR249	8	8	2	ICLK	section 14.
0008 73FAh	ICU	Interrupt source priority register 250	IPR250	8	8	2	ICLK	section 14.
0008 7400h	ICU	DMAC activation request select register 0	DMRSR0	8	8	2	ICLK	section 14.
0008 7404h	ICU	DMAC activation request select register 1	DMRSR1	8	8	2	ICLK	section 14.
0008 7408h	ICU	DMAC activation request select register 2	DMRSR2	8	8	2	ICLK	section 14.
0008 740Ch	ICU	DMAC activation request select register 3	DMRSR3	8	8	2	ICLK	section 14.
0008 7500h	ICU	IRQ control register 0	IRQCR0	8	8	2	ICLK	section 14.
0008 7501h	ICU	IRQ control register 1	IRQCR1	8	8	2	ICLK	section 14.
0008 7502h	ICU	IRQ control register 2	IRQCR2	8	8	2	ICLK	section 14.
0008 7503h	ICU	IRQ control register 3	IRQCR3	8	8	2	ICLK	section 14.
0008 7504h	ICU	IRQ control register 4	IRQCR4	8	8	2	ICLK	section 14.
0008 7505h	ICU	IRQ control register 5	IRQCR5	8	8	2	ICLK	section 14.
0008 7506h	ICU	IRQ control register 6	IRQCR6	8	8	2	ICLK	section 14.
0008 7507h	ICU	IRQ control register 7	IRQCR7	8	8	2	ICLK	section 14.
0008 7510h	ICU	IRQ pin digital filter enable register 0	IRQFLTE0	8	8	2	ICLK	section 14.
0008 7514h	ICU	IRQ pin digital filter setting register 0	IRQFLTC0	16	16	2	ICLK	section 14.

Table 5.1 List of I/O Registers (Address Order) (11 / 30)

Address	Module Symbol	Register Name	Register Symbol	Number of Bits	Access Size	Number of Access Cycles		Reference Section
						ICLK \geq PCLK	ICLK $<$ PCLK	
0008 7580h	ICU	Non-maskable interrupt status register	NMISR	8	8	2 ICLK		section 14.
0008 7581h	ICU	Non-maskable interrupt enable register	NMIER	8	8	2 ICLK		section 14.
0008 7582h	ICU	Non-maskable interrupt clear register	NMICLR	8	8	2 ICLK		section 14.
0008 7583h	ICU	NMI pin interrupt control register	NMICR	8	8	2 ICLK		section 14.
0008 7590h	ICU	NMI pin digital filter enable register	NMIFLTE	8	8	2 ICLK		section 14.
0008 7594h	ICU	NMI pin digital filter setting register	NMIFLTC	8	8	2 ICLK		section 14.
0008 8000h	CMT	Compare match timer start register 0	CMSTR0	16	16	2, 3 PCLKB	2 ICLK	section 25.
0008 8002h	CMT0	Compare match timer control register	CMCR	16	16	2, 3 PCLKB	2 ICLK	section 25.
0008 8004h	CMT0	Compare match timer counter	CMCNT	16	16	2, 3 PCLKB	2 ICLK	section 25.
0008 8006h	CMT0	Compare match timer constant register	CMCOR	16	16	2, 3 PCLKB	2 ICLK	section 25.
0008 8008h	CMT1	Compare match timer control register	CMCR	16	16	2, 3 PCLKB	2 ICLK	section 25.
0008 800Ah	CMT1	Compare match timer counter	CMCNT	16	16	2, 3 PCLKB	2 ICLK	section 25.
0008 800Ch	CMT1	Compare match timer constant register	CMCOR	16	16	2, 3 PCLKB	2 ICLK	section 25.
0008 8010h	CMT	Compare match timer start register 1	CMSTR1	16	16	2, 3 PCLKB	2 ICLK	section 25.
0008 8012h	CMT2	Compare match timer control register	CMCR	16	16	2, 3 PCLKB	2 ICLK	section 25.
0008 8014h	CMT2	Compare match timer counter	CMCNT	16	16	2, 3 PCLKB	2 ICLK	section 25.
0008 8016h	CMT2	Compare match timer constant register	CMCOR	16	16	2, 3 PCLKB	2 ICLK	section 25.
0008 8018h	CMT3	Compare match timer control register	CMCR	16	16	2, 3 PCLKB	2 ICLK	section 25.
0008 801Ah	CMT3	Compare match timer counter	CMCNT	16	16	2, 3 PCLKB	2 ICLK	section 25.
0008 801Ch	CMT3	Compare match timer constant register	CMCOR	16	16	2, 3 PCLKB	2 ICLK	section 25.
0008 8020h	WDT	WDT refresh register	WDTRR	8	8	2, 3 PCLKB	2 ICLK	section 27.
0008 8022h	WDT	WDT control register	WDTCR	16	16	2, 3 PCLKB	2 ICLK	section 27.
0008 8024h	WDT	WDT status register	WDTSR	16	16	2, 3 PCLKB	2 ICLK	section 27.
0008 8026h	WDT	WDT reset control register	WDTRCR	8	8	2, 3 PCLKB	2 ICLK	section 27.
0008 8030h	IWDT	IWDT refresh register	IWDTRR	8	8	2, 3 PCLKB	2 ICLK	section 28.
0008 8032h	IWDT	IWDT control register	IWDTCR	16	16	2, 3 PCLKB	2 ICLK	section 28.
0008 8034h	IWDT	IWDT status register	IWDTSR	16	16	2, 3 PCLKB	2 ICLK	section 28.
0008 8036h	IWDT	IWDT reset control register	IWDTRCR	8	8	2, 3 PCLKB	2 ICLK	section 28.
0008 8038h	IWDT	IWDT count stop control register	IWDTCSTPR	8	8	2, 3 PCLKB	2 ICLK	section 28.
0008 80C0h	DA	D/A data register 0	DADR0	16	16	2, 3 PCLKB	2 ICLK	section 34.
0008 80C2h	DA	D/A data register 1	DADR1	16	16	2, 3 PCLKB	2 ICLK	section 34.
0008 80C4h	DA	D/A control register	DACR	8	8	2, 3 PCLKB	2 ICLK	section 34.
0008 80C5h	DA	DADRm format select register	DADPR	8	8	2, 3 PCLKB	2 ICLK	section 34.
0008 8100h	TPU	Timer start register	TSTR	8	8	2, 3 PCLKB	2 ICLK	section 23.
0008 8101h	TPU	Timer synchronous register	TSYR	8	8	2, 3 PCLKB	2 ICLK	section 23.
0008 8108h	TPU0	Noise filter control register	NFCR	8	8	2, 3 PCLKB	2 ICLK	section 23.
0008 8109h	TPU1	Noise filter control register	NFCR	8	8	2, 3 PCLKB	2 ICLK	section 23.
0008 810Ah	TPU2	Noise filter control register	NFCR	8	8	2, 3 PCLKB	2 ICLK	section 23.
0008 810Bh	TPU3	Noise filter control register	NFCR	8	8	2, 3 PCLKB	2 ICLK	section 23.
0008 810Ch	TPU4	Noise filter control register	NFCR	8	8	2, 3 PCLKB	2 ICLK	section 23.
0008 810Dh	TPU5	Noise filter control register	NFCR	8	8	2, 3 PCLKB	2 ICLK	section 23.
0008 8110h	TPU0	Timer control register	TCR	8	8	2, 3 PCLKB	2 ICLK	section 23.
0008 8111h	TPU0	Timer mode register	TMDR	8	8	2, 3 PCLKB	2 ICLK	section 23.
0008 8112h	TPU0	Timer I/O control register H	TIORH	8	8	2, 3 PCLKB	2 ICLK	section 23.
0008 8113h	TPU0	Timer I/O control register L	TIORL	8	8	2, 3 PCLKB	2 ICLK	section 23.
0008 8114h	TPU0	Timer interrupt enable register	TIER	8	8	2, 3 PCLKB	2 ICLK	section 23.
0008 8115h	TPU0	Timer status register	TSR	8	8	2, 3 PCLKB	2 ICLK	section 23.
0008 8116h	TPU0	Timer counter	TCNT	16	16	2, 3 PCLKB	2 ICLK	section 23.
0008 8118h	TPU0	Timer general register A	TGRA	16	16	2, 3 PCLKB	2 ICLK	section 23.
0008 811Ah	TPU0	Timer general register B	TGRB	16	16	2, 3 PCLKB	2 ICLK	section 23.
0008 811Ch	TPU0	Timer general register C	TGRC	16	16	2, 3 PCLKB	2 ICLK	section 23.

Table 5.1 List of I/O Registers (Address Order) (12 / 30)

Address	Module Symbol	Register Name	Register Symbol	Number of Bits	Access Size	Number of Access Cycles		Reference Section
						ICLK \geq PCLK	ICLK $<$ PCLK	
0008 811Eh	TPU0	Timer general register D	TGRD	16	16	2, 3 PCLKB	2 ICLK	section 23.
0008 8120h	TPU1	Timer control register	TCR	8	8	2, 3 PCLKB	2 ICLK	section 23.
0008 8121h	TPU1	Timer mode register	TMDR	8	8	2, 3 PCLKB	2 ICLK	section 23.
0008 8122h	TPU1	Timer I/O control register	TIOR	8	8	2, 3 PCLKB	2 ICLK	section 23.
0008 8124h	TPU1	Timer interrupt enable register	TIER	8	8	2, 3 PCLKB	2 ICLK	section 23.
0008 8125h	TPU1	Timer status register	TSR	8	8	2, 3 PCLKB	2 ICLK	section 23.
0008 8126h	TPU1	Timer counter	TCNT	16	16	2, 3 PCLKB	2 ICLK	section 23.
0008 8128h	TPU1	Timer general register A	TGRA	16	16	2, 3 PCLKB	2 ICLK	section 23.
0008 812Ah	TPU1	Timer general register B	TGRB	16	16	2, 3 PCLKB	2 ICLK	section 23.
0008 8130h	TPU2	Timer control register	TCR	8	8	2, 3 PCLKB	2 ICLK	section 23.
0008 8131h	TPU2	Timer mode register	TMDR	8	8	2, 3 PCLKB	2 ICLK	section 23.
0008 8132h	TPU2	Timer I/O control register	TIOR	8	8	2, 3 PCLKB	2 ICLK	section 23.
0008 8134h	TPU2	Timer interrupt enable register	TIER	8	8	2, 3 PCLKB	2 ICLK	section 23.
0008 8135h	TPU2	Timer status register	TSR	8	8	2, 3 PCLKB	2 ICLK	section 23.
0008 8136h	TPU2	Timer counter	TCNT	16	16	2, 3 PCLKB	2 ICLK	section 23.
0008 8138h	TPU2	Timer general register A	TGRA	16	16	2, 3 PCLKB	2 ICLK	section 23.
0008 813Ah	TPU2	Timer general register B	TGRB	16	16	2, 3 PCLKB	2 ICLK	section 23.
0008 8140h	TPU3	Timer control register	TCR	8	8	2, 3 PCLKB	2 ICLK	section 23.
0008 8141h	TPU3	Timer mode register	TMDR	8	8	2, 3 PCLKB	2 ICLK	section 23.
0008 8142h	TPU3	Timer I/O control register H	TIORH	8	8	2, 3 PCLKB	2 ICLK	section 23.
0008 8143h	TPU3	Timer I/O control register L	TIORL	8	8	2, 3 PCLKB	2 ICLK	section 23.
0008 8144h	TPU3	Timer interrupt enable register	TIER	8	8	2, 3 PCLKB	2 ICLK	section 23.
0008 8145h	TPU3	Timer status register	TSR	8	8	2, 3 PCLKB	2 ICLK	section 23.
0008 8146h	TPU3	Timer counter	TCNT	16	16	2, 3 PCLKB	2 ICLK	section 23.
0008 8148h	TPU3	Timer general register A	TGRA	16	16	2, 3 PCLKB	2 ICLK	section 23.
0008 814Ah	TPU3	Timer general register B	TGRB	16	16	2, 3 PCLKB	2 ICLK	section 23.
0008 814Ch	TPU3	Timer general register C	TGRC	16	16	2, 3 PCLKB	2 ICLK	section 23.
0008 814Eh	TPU3	Timer general register D	TGRD	16	16	2, 3 PCLKB	2 ICLK	section 23.
0008 8150h	TPU4	Timer control register	TCR	8	8	2, 3 PCLKB	2 ICLK	section 23.
0008 8151h	TPU4	Timer mode register	TMDR	8	8	2, 3 PCLKB	2 ICLK	section 23.
0008 8152h	TPU4	Timer I/O control register	TIOR	8	8	2, 3 PCLKB	2 ICLK	section 23.
0008 8154h	TPU4	Timer interrupt enable register	TIER	8	8	2, 3 PCLKB	2 ICLK	section 23.
0008 8155h	TPU4	Timer status register	TSR	8	8	2, 3 PCLKB	2 ICLK	section 23.
0008 8156h	TPU4	Timer counter	TCNT	16	16	2, 3 PCLKB	2 ICLK	section 23.
0008 8158h	TPU4	Timer general register A	TGRA	16	16	2, 3 PCLKB	2 ICLK	section 23.
0008 815Ah	TPU4	Timer general register B	TGRB	16	16	2, 3 PCLKB	2 ICLK	section 23.
0008 8160h	TPU5	Timer control register	TCR	8	8	2, 3 PCLKB	2 ICLK	section 23.
0008 8161h	TPU5	Timer mode register	TMDR	8	8	2, 3 PCLKB	2 ICLK	section 23.
0008 8162h	TPU5	Timer I/O control register	TIOR	8	8	2, 3 PCLKB	2 ICLK	section 23.
0008 8164h	TPU5	Timer interrupt enable register	TIER	8	8	2, 3 PCLKB	2 ICLK	section 23.
0008 8165h	TPU5	Timer status register	TSR	8	8	2, 3 PCLKB	2 ICLK	section 23.
0008 8166h	TPU5	Timer counter	TCNT	16	16	2, 3 PCLKB	2 ICLK	section 23.
0008 8168h	TPU5	Timer general register A	TGRA	16	16	2, 3 PCLKB	2 ICLK	section 23.
0008 816Ah	TPU5	Timer general register B	TGRB	16	16	2, 3 PCLKB	2 ICLK	section 23.
0008 8200h	TMR0	Timer control register	TCR	8	8	2, 3 PCLKB	2 ICLK	section 24.
0008 8201h	TMR1	Timer counter control register	TCR	8	8	2, 3 PCLKB	2 ICLK	section 24.
0008 8202h	TMR0	Timer control/status register	TCSR	8	8	2, 3 PCLKB	2 ICLK	section 24.
0008 8203h	TMR1	Timer control/status register	TCSR	8	8	2, 3 PCLKB	2 ICLK	section 24.
0008 8204h	TMR0	Time constant register A	TCORA	8	8	2, 3 PCLKB	2 ICLK	section 24.
0008 8205h	TMR1	Time constant register A	TCORA	8	8*1	2, 3 PCLKB	2 ICLK	section 24.
0008 8206h	TMR0	Time constant register B	TCORB	8	8	2, 3 PCLKB	2 ICLK	section 24.

Table 5.1 List of I/O Registers (Address Order) (13 / 30)

Address	Module Symbol	Register Name	Register Symbol	Number of Bits	Access Size	Number of Access Cycles		Reference Section
						ICLK ≥ PCLK	ICLK < PCLK	
0008 8207h	TMR1	Time constant register B	TCORB	8	8 ^{*1}	2, 3 PCLKB	2 ICLK	section 24.
0008 8208h	TMR0	Timer counter	TCNT	8	8	2, 3 PCLKB	2 ICLK	section 24.
0008 8209h	TMR1	Timer counter	TCNT	8	8 ^{*1}	2, 3 PCLKB	2 ICLK	section 24.
0008 820Ah	TMR0	Timer counter control register	TCCR	8	8	2, 3 PCLKB	2 ICLK	section 24.
0008 820Bh	TMR1	Timer counter control register	TCCR	8	8 ^{*1}	2, 3 PCLKB	2 ICLK	section 24.
0008 820Ch	TMR0	Time count start register	TCSTR	8	8	2, 3 PCLKB	2 ICLK	section 24.
0008 8210h	TMR2	Timer control register	TCR	8	8	2, 3 PCLKB	2 ICLK	section 24.
0008 8211h	TMR3	Timer control register	TCR	8	8	2, 3 PCLKB	2 ICLK	section 24.
0008 8212h	TMR2	Timer control/status register	TCSR	8	8	2, 3 PCLKB	2 ICLK	section 24.
0008 8213h	TMR3	Timer control/status register	TCSR	8	8	2, 3 PCLKB	2 ICLK	section 24.
0008 8214h	TMR2	Time constant register A	TCORA	8	8	2, 3 PCLKB	2 ICLK	section 24.
0008 8215h	TMR3	Time constant register A	TCORA	8	8 ^{*1}	2, 3 PCLKB	2 ICLK	section 24.
0008 8216h	TMR2	Time constant register B	TCORB	8	8	2, 3 PCLKB	2 ICLK	section 24.
0008 8217h	TMR3	Time constant register B	TCORB	8	8 ^{*1}	2, 3 PCLKB	2 ICLK	section 24.
0008 8218h	TMR2	Timer counter	TCNT	8	8	2, 3 PCLKB	2 ICLK	section 24.
0008 8219h	TMR3	Timer counter	TCNT	8	8 ^{*1}	2, 3 PCLKB	2 ICLK	section 24.
0008 821Ah	TMR2	Timer counter control register	TCCR	8	8	2, 3 PCLKB	2 ICLK	section 24.
0008 821Bh	TMR3	Timer counter control register	TCCR	8	8 ^{*1}	2, 3 PCLKB	2 ICLK	section 24.
0008 821Ch	TMR2	Time count start register	TCSTR	8	8	2, 3 PCLKB	2 ICLK	section 24.
0008 8280h	CRC	CRC control register	CRCCR	8	8	2, 3 PCLKB	2 ICLK	section 32.
0008 8281h	CRC	CRC data input register	CRCDIR	8	8	2, 3 PCLKB	2 ICLK	section 32.
0008 8282h	CRC	CRC data output register	CRCDOR	16	16	2, 3 PCLKB	2 ICLK	section 32.
0008 8300h	RIIC0	I ² C bus control register 1	ICCR1	8	8	2, 3 PCLKB	2 ICLK	section 30.
0008 8301h	RIIC0	I ² C bus control register 2	ICCR2	8	8	2, 3 PCLKB	2 ICLK	section 30.
0008 8302h	RIIC0	I ² C bus mode register 1	ICMR1	8	8	2, 3 PCLKB	2 ICLK	section 30.
0008 8303h	RIIC0	I ² C bus mode register 2	ICMR2	8	8	2, 3 PCLKB	2 ICLK	section 30.
0008 8304h	RIIC0	I ² C bus mode register 3	ICMR3	8	8	2, 3 PCLKB	2 ICLK	section 30.
0008 8305h	RIIC0	I ² C bus function enable register	ICFER	8	8	2, 3 PCLKB	2 ICLK	section 30.
0008 8306h	RIIC0	I ² C bus status enable register	ICSER	8	8	2, 3 PCLKB	2 ICLK	section 30.
0008 8307h	RIIC0	I ² C bus interrupt enable register	ICIER	8	8	2, 3 PCLKB	2 ICLK	section 30.
0008 8308h	RIIC0	I ² C bus status register 1	ICSR1	8	8	2, 3 PCLKB	2 ICLK	section 30.
0008 8309h	RIIC0	I ² C bus status register 2	ICSR2	8	8	2, 3 PCLKB	2 ICLK	section 30.
0008 830Ah	RIIC0	Slave address register L0	SARL0	8	8	2, 3 PCLKB	2 ICLK	section 30.
0008 830Ah	RIIC0	Timeout internal counter L	TMOCNTL	8	8	2, 3 PCLKB	2 ICLK	section 30.
0008 830Bh	RIIC0	Slave address register U0	SARU0	8	8	2, 3 PCLKB	2 ICLK	section 30.
0008 830Bh	RIIC0	Timeout internal counter U	TMOCNTU	8	8 ^{*2}	2, 3 PCLKB	2 ICLK	section 30.
0008 830Ch	RIIC0	Slave address register L1	SARL1	8	8	2, 3 PCLKB	2 ICLK	section 30.
0008 830Dh	RIIC0	Slave address register U1	SARU1	8	8	2, 3 PCLKB	2 ICLK	section 30.
0008 830Eh	RIIC0	Slave address register L2	SARL2	8	8	2, 3 PCLKB	2 ICLK	section 30.
0008 830Fh	RIIC0	Slave address register U2	SARU2	8	8	2, 3 PCLKB	2 ICLK	section 30.
0008 8310h	RIIC0	I ² C bus bit rate low-level register	ICBRL	8	8	2, 3 PCLKB	2 ICLK	section 30.
0008 8311h	RIIC0	I ² C bus bit rate high-level register	ICBRH	8	8	2, 3 PCLKB	2 ICLK	section 30.
0008 8312h	RIIC0	I ² C bus transmit data register	ICDRT	8	8	2, 3 PCLKB	2 ICLK	section 30.
0008 8313h	RIIC0	I ² C bus receive data register	ICDRR	8	8	2, 3 PCLKB	2 ICLK	section 30.
0008 8380h	RSPI0	RSPI control register	SPCR	8	8	2, 3 PCLKB	2 ICLK	section 31.
0008 8381h	RSPI0	RSPI slave select polarity register	SSLP	8	8	2, 3 PCLKB	2 ICLK	section 31.
0008 8382h	RSPI0	RSPI pin control register	SPPCR	8	8	2, 3 PCLKB	2 ICLK	section 31.
0008 8383h	RSPI0	RSPI status register	SPSR	8	8	2, 3 PCLKB	2 ICLK	section 31.
0008 8384h	RSPI0	RSPI data register	SPDR	32	16, 32	2, 3 PCLKB	2 ICLK	section 31.
0008 8388h	RSPI0	RSPI sequence control register	SPSCR	8	8	2, 3 PCLKB	2 ICLK	section 31.
0008 8389h	RSPI0	RSPI sequence status register	SPSSR	8	8	2, 3 PCLKB	2 ICLK	section 31.

Table 5.1 List of I/O Registers (Address Order) (14 / 30)

Address	Module Symbol	Register Name	Register Symbol	Number of Bits	Access Size	Number of Access Cycles		Reference Section
						ICLK \geq PCLK	ICLK < PCLK	
0008 838Ah	RSPI0	RSPI bit rate register	SPBR	8	8	2, 3 PCLKB	2 ICLK	section 31.
0008 838Bh	RSPI0	RSPI data control register	SPDCR	8	8	2, 3 PCLKB	2 ICLK	section 31.
0008 838Ch	RSPI0	RSPI clock delay register	SPCKD	8	8	2, 3 PCLKB	2 ICLK	section 31.
0008 838Dh	RSPI0	RSPI slave select negation delay register	SSLND	8	8	2, 3 PCLKB	2 ICLK	section 31.
0008 838Eh	RSPI0	RSPI next-access delay register	SPND	8	8	2, 3 PCLKB	2 ICLK	section 31.
0008 838Fh	RSPI0	RSPI control register 2	SPCR2	8	8	2, 3 PCLKB	2 ICLK	section 31.
0008 8390h	RSPI0	RSPI command register 0	SPCMD0	16	16	2, 3 PCLKB	2 ICLK	section 31.
0008 8392h	RSPI0	RSPI command register 1	SPCMD1	16	16	2, 3 PCLKB	2 ICLK	section 31.
0008 8394h	RSPI0	RSPI command register 2	SPCMD2	16	16	2, 3 PCLKB	2 ICLK	section 31.
0008 8396h	RSPI0	RSPI command register 3	SPCMD3	16	16	2, 3 PCLKB	2 ICLK	section 31.
0008 8398h	RSPI0	RSPI command register 4	SPCMD4	16	16	2, 3 PCLKB	2 ICLK	section 31.
0008 839Ah	RSPI0	RSPI command register 5	SPCMD5	16	16	2, 3 PCLKB	2 ICLK	section 31.
0008 839Ch	RSPI0	RSPI command register 6	SPCMD6	16	16	2, 3 PCLKB	2 ICLK	section 31.
0008 839Eh	RSPI0	RSPI command register 7	SPCMD7	16	16	2, 3 PCLKB	2 ICLK	section 31.
0008 8600h	MTU3	Timer control register	TCR	8	8	2, 3 PCLKB	2 ICLK	section 21.
0008 8601h	MTU4	Timer control register	TCR	8	8	2, 3 PCLKB	2 ICLK	section 21.
0008 8602h	MTU3	Timer mode register	TMDR	8	8	2, 3 PCLKB	2 ICLK	section 21.
0008 8603h	MTU4	Timer mode register	TMDR	8	8	2, 3 PCLKB	2 ICLK	section 21.
0008 8604h	MTU3	Timer I/O control register H	TIORH	8	8	2, 3 PCLKB	2 ICLK	section 21.
0008 8605h	MTU3	Timer I/O control register L	TIORL	8	8	2, 3 PCLKB	2 ICLK	section 21.
0008 8606h	MTU4	Timer I/O control register H	TIORH	8	8	2, 3 PCLKB	2 ICLK	section 21.
0008 8607h	MTU4	Timer I/O control register L	TIORL	8	8	2, 3 PCLKB	2 ICLK	section 21.
0008 8608h	MTU3	Timer interrupt enable register	TIER	8	8	2, 3 PCLKB	2 ICLK	section 21.
0008 8609h	MTU4	Timer interrupt enable register	TIER	8	8	2, 3 PCLKB	2 ICLK	section 21.
0008 860Ah	MTU	Timer output master enable register	TOER	8	8	2, 3 PCLKB	2 ICLK	section 21.
0008 860Dh	MTU	Timer gate control register	TGCR	8	8	2, 3 PCLKB	2 ICLK	section 21.
0008 860Eh	MTU	Timer output control register 1	TOCR1	8	8	2, 3 PCLKB	2 ICLK	section 21.
0008 860Fh	MTU	Timer output control register 2	TOCR2	8	8	2, 3 PCLKB	2 ICLK	section 21.
0008 8610h	MTU3	Timer counter	TCNT	16	16	2, 3 PCLKB	2 ICLK	section 21.
0008 8612h	MTU4	Timer counter	TCNT	16	16	2, 3 PCLKB	2 ICLK	section 21.
0008 8614h	MTU	Timer cycle data register	TCDR	16	16	2, 3 PCLKB	2 ICLK	section 21.
0008 8616h	MTU	Timer dead time data register	TDDR	16	16	2, 3 PCLKB	2 ICLK	section 21.
0008 8618h	MTU3	Timer general register A	TGRA	16	16	2, 3 PCLKB	2 ICLK	section 21.
0008 861Ah	MTU3	Timer general register B	TGRB	16	16	2, 3 PCLKB	2 ICLK	section 21.
0008 861Ch	MTU4	Timer general register A	TGRA	16	16	2, 3 PCLKB	2 ICLK	section 21.
0008 861Eh	MTU4	Timer general register B	TGRB	16	16	2, 3 PCLKB	2 ICLK	section 21.
0008 8620h	MTU	Timer subcounter	TCNTS	16	16	2, 3 PCLKB	2 ICLK	section 21.
0008 8622h	MTU	Timer cycle buffer register	TCBR	16	16	2, 3 PCLKB	2 ICLK	section 21.
0008 8624h	MTU3	Timer general register C	TGRC	16	16	2, 3 PCLKB	2 ICLK	section 21.
0008 8626h	MTU3	Timer general register D	TGRD	16	16	2, 3 PCLKB	2 ICLK	section 21.
0008 8628h	MTU4	Timer general register C	TGRC	16	16	2, 3 PCLKB	2 ICLK	section 21.
0008 862Ah	MTU4	Timer general register D	TGRD	16	16	2, 3 PCLKB	2 ICLK	section 21.
0008 862Ch	MTU3	Timer status register	TSR	8	8	2, 3 PCLKB	2 ICLK	section 21.
0008 862Dh	MTU4	Timer status register	TSR	8	8	2, 3 PCLKB	2 ICLK	section 21.
0008 8630h	MTU	Timer interrupt skipping set register	TITCR	8	8	2, 3 PCLKB	2 ICLK	section 21.
0008 8631h	MTU	Timer interrupt skipping counter	TITCNT	8	8	2, 3 PCLKB	2 ICLK	section 21.
0008 8632h	MTU	Timer buffer transfer set register	TBTER	8	8	2, 3 PCLKB	2 ICLK	section 21.
0008 8634h	MTU	Timer dead time enable register	TDER	8	8	2, 3 PCLKB	2 ICLK	section 21.
0008 8636h	MTU	Timer output level buffer register	TOLBR	8	8	2, 3 PCLKB	2 ICLK	section 21.
0008 8638h	MTU3	Timer buffer operation transfer mode register	TBTM	8	8	2, 3 PCLKB	2 ICLK	section 21.
0008 8639h	MTU4	Timer buffer operation transfer mode register	TBTM	8	8	2, 3 PCLKB	2 ICLK	section 21.

Table 5.1 List of I/O Registers (Address Order) (15 / 30)

Address	Module Symbol	Register Name	Register Symbol	Number of Bits	Access Size	Number of Access Cycles		Reference Section
						ICLK \geq PCLK	ICLK $<$ PCLK	
0008 8640h	MTU4	Timer A/D converter start request control register	TADCR	16	16	2, 3 PCLKB	2 ICLK	section 21.
0008 8644h	MTU4	Timer A/D converter start request cycle set register A	TADCORA	16	16	2, 3 PCLKB	2 ICLK	section 21.
0008 8646h	MTU4	Timer A/D converter start request cycle set register B	TADCORB	16	16	2, 3 PCLKB	2 ICLK	section 21.
0008 8648h	MTU4	Timer A/D converter start request cycle set buffer register A	TADCOBRA	16	16	2, 3 PCLKB	2 ICLK	section 21.
0008 864Ah	MTU4	Timer A/D converter start request cycle set buffer register B	TADCOBRB	16	16	2, 3 PCLKB	2 ICLK	section 21.
0008 8660h	MTU	Timer waveform control register	TWCR	8	8, 16	2, 3 PCLKB	2 ICLK	section 21.
0008 8680h	MTU	Timer start register	TSTR	8	8, 16	2, 3 PCLKB	2 ICLK	section 21.
0008 8681h	MTU	Timer synchronous register	TSYR	8	8, 16	2, 3 PCLKB	2 ICLK	section 21.
0008 8684h	MTU	Timer read/write enable register	TRWER	8	8, 16	2, 3 PCLKB	2 ICLK	section 21.
0008 8690h	MTU0	Noise filter control register	NFCR	8	8, 16	2, 3 PCLKB	2 ICLK	section 21.
0008 8691h	MTU1	Noise filter control register	NFCR	8	8, 16	2, 3 PCLKB	2 ICLK	section 21.
0008 8692h	MTU2	Noise filter control register	NFCR	8	8, 16	2, 3 PCLKB	2 ICLK	section 21.
0008 8693h	MTU3	Noise filter control register	NFCR	8	8, 16	2, 3 PCLKB	2 ICLK	section 21.
0008 8694h	MTU4	Noise filter control register	NFCR	8	8, 16	2, 3 PCLKB	2 ICLK	section 21.
0008 8695h	MTU5	Noise filter control register	NFCR	8	8, 16	2, 3 PCLKB	2 ICLK	section 21.
0008 8700h	MTU0	Timer control register	TCR	8	8	2, 3 PCLKB	2 ICLK	section 21.
0008 8701h	MTU0	Timer mode register	TMDR	8	8	2, 3 PCLKB	2 ICLK	section 21.
0008 8702h	MTU0	Timer I/O control register H	TIORH	8	8	2, 3 PCLKB	2 ICLK	section 21.
0008 8703h	MTU0	Timer I/O control register L	TIORL	8	8	2, 3 PCLKB	2 ICLK	section 21.
0008 8704h	MTU0	Timer interrupt enable register	TIER	8	8	2, 3 PCLKB	2 ICLK	section 21.
0008 8705h	MTU0	Timer status register	TSR	8	8	2, 3 PCLKB	2 ICLK	section 21.
0008 8706h	MTU0	Timer counter	TCNT	16	16	2, 3 PCLKB	2 ICLK	section 21.
0008 8708h	MTU0	Timer general register A	TGRA	16	16	2, 3 PCLKB	2 ICLK	section 21.
0008 870Ah	MTU0	Timer general register B	TGRB	16	16	2, 3 PCLKB	2 ICLK	section 21.
0008 870Ch	MTU0	Timer general register C	TGRC	16	16	2, 3 PCLKB	2 ICLK	section 21.
0008 870Eh	MTU0	Timer general register D	TGRD	16	16	2, 3 PCLKB	2 ICLK	section 21.
0008 8720h	MTU0	Timer general register E	TGRE	16	16	2, 3 PCLKB	2 ICLK	section 21.
0008 8722h	MTU0	Timer general register F	TGRF	16	16	2, 3 PCLKB	2 ICLK	section 21.
0008 8724h	MTU0	Timer interrupt enable register 2	TIER2	8	8	2, 3 PCLKB	2 ICLK	section 21.
0008 8726h	MTU0	Timer buffer operation transfer mode register	TBTM	8	8	2, 3 PCLKB	2 ICLK	section 21.
0008 8780h	MTU1	Timer control register	TCR	8	8	2, 3 PCLKB	2 ICLK	section 21.
0008 8781h	MTU1	Timer mode register	TMDR	8	8	2, 3 PCLKB	2 ICLK	section 21.
0008 8782h	MTU1	Timer I/O control register	TIOR	8	8	2, 3 PCLKB	2 ICLK	section 21.
0008 8784h	MTU1	Timer interrupt enable register	TIER	8	8	2, 3 PCLKB	2 ICLK	section 21.
0008 8785h	MTU1	Timer status register	TSR	8	8	2, 3 PCLKB	2 ICLK	section 21.
0008 8786h	MTU1	Timer counter	TCNT	16	16	2, 3 PCLKB	2 ICLK	section 21.
0008 8788h	MTU1	Timer general register A	TGRA	16	16	2, 3 PCLKB	2 ICLK	section 21.
0008 878Ah	MTU1	Timer general register B	TGRB	16	16	2, 3 PCLKB	2 ICLK	section 21.
0008 8790h	MTU1	Timer input capture control register	TICCR	8	8	2, 3 PCLKB	2 ICLK	section 21.
0008 8800h	MTU2	Timer control register	TCR	8	8	2, 3 PCLKB	2 ICLK	section 21.
0008 8801h	MTU2	Timer mode register	TMDR	8	8	2, 3 PCLKB	2 ICLK	section 21.
0008 8802h	MTU2	Timer I/O control register	TIOR	8	8	2, 3 PCLKB	2 ICLK	section 21.
0008 8804h	MTU2	Timer interrupt enable register	TIER	8	8	2, 3 PCLKB	2 ICLK	section 21.
0008 8805h	MTU2	Timer status register	TSR	8	8	2, 3 PCLKB	2 ICLK	section 21.
0008 8806h	MTU2	Timer counter	TCNT	16	16	2, 3 PCLKB	2 ICLK	section 21.
0008 8808h	MTU2	Timer general register A	TGRA	16	16	2, 3 PCLKB	2 ICLK	section 21.
0008 880Ah	MTU2	Timer general register B	TGRB	16	16	2, 3 PCLKB	2 ICLK	section 21.
0008 8880h	MTU5	Timer counter U	TCNTU	16	16	2, 3 PCLKB	2 ICLK	section 21.
0008 8882h	MTU5	Timer general register U	TGRU	16	16	2, 3 PCLKB	2 ICLK	section 21.
0008 8884h	MTU5	Timer control register U	TCRU	8	8	2, 3 PCLKB	2 ICLK	section 21.
0008 8886h	MTU5	Timer I/O control register U	TIORU	8	8	2, 3 PCLKB	2 ICLK	section 21.

Table 5.1 List of I/O Registers (Address Order) (16 / 30)

Address	Module Symbol	Register Name	Register Symbol	Number of Bits	Access Size	Number of Access Cycles		Reference Section
						ICLK \geq PCLK	ICLK $<$ PCLK	
0008 8890h	MTU5	Timer counter V	TCNTV	16	16	2, 3 PCLKB	2 ICLK	section 21.
0008 8892h	MTU5	Timer general register V	TGRV	16	16	2, 3 PCLKB	2 ICLK	section 21.
0008 8894h	MTU5	Timer control register V	TCRV	8	8	2, 3 PCLKB	2 ICLK	section 21.
0008 8896h	MTU5	Timer I/O control register V	TIORV	8	8	2, 3 PCLKB	2 ICLK	section 21.
0008 88A0h	MTU5	Timer counter W	TCNTW	16	16	2, 3 PCLKB	2 ICLK	section 21.
0008 88A2h	MTU5	Timer general register W	TGRW	16	16	2, 3 PCLKB	2 ICLK	section 21.
0008 88A4h	MTU5	Timer control register W	TCRW	8	8	2, 3 PCLKB	2 ICLK	section 21.
0008 88A6h	MTU5	Timer I/O control register W	TIORW	8	8	2, 3 PCLKB	2 ICLK	section 21.
0008 88B2h	MTU5	Timer interrupt enable register	TIER	8	8	2, 3 PCLKB	2 ICLK	section 21.
0008 88B4h	MTU5	Timer start register	TSTR	8	8	2, 3 PCLKB	2 ICLK	section 21.
0008 88B6h	MTU5	Timer compare match clear register	TCNTCMPCLR	8	8	2, 3 PCLKB	2 ICLK	section 21.
0008 8900h	POE	Input level control/status register 1	ICSR1	16	8, 16	2, 3 PCLKB	2 ICLK	section 22.
0008 8902h	POE	Output level control/status register 1	OCSR1	16	8, 16	2, 3 PCLKB	2 ICLK	section 22.
0008 8908h	POE	Input level control/status register 2	ICSR2	16	8, 16	2, 3 PCLKB	2 ICLK	section 22.
0008 890Ah	POE	Software port output enable register	SPOER	8	8	2, 3 PCLKB	2 ICLK	section 22.
0008 890Bh	POE	Port output enable control register 1	POECR1	8	8	2, 3 PCLKB	2 ICLK	section 22.
0008 890Ch	POE	Port output enable control register 2	POECR2	8	8	2, 3 PCLKB	2 ICLK	section 22.
0008 890Eh	POE	Input level control/status register 3	ICSR3	16	8, 16	2, 3 PCLKB	2 ICLK	section 22.
0008 9000h	S12AD	A/D control register	ADCSR	16	16	2, 3 PCLKB	2 ICLK	section 33.
0008 9004h	S12AD	A/D channel select register A	ADANSA	16	16	2, 3 PCLKB	2 ICLK	section 33.
0008 9008h	S12AD	A/D-converted value addition mode select register	ADADS	16	16	2, 3 PCLKB	2 ICLK	section 33.
0008 900Ch	S12AD	A/D-converted value addition count select register	ADADC	8	8	2, 3 PCLKB	2 ICLK	section 33.
0008 900Eh	S12AD	A/D control extended register	ADCER	16	16	2, 3 PCLKB	2 ICLK	section 33.
0008 9010h	S12AD	A/D start trigger select register	ADSTRGR	16	16	2, 3 PCLKB	2 ICLK	section 33.
0008 9012h	S12AD	A/D converted extended input control register	ADEXICR	16	16	2, 3 PCLKB	2 ICLK	section 33.
0008 9014h	S12AD	A/D channel select register B	ADANSB	16	16	2, 3 PCLKB	2 ICLK	section 33.
0008 9018h	S12AD	A/D double register	ADDBLDR	16	16	2, 3 PCLKB	2 ICLK	section 33.
0008 901Ah	S12AD	A/D temperature sensor data register	ADTSDR	16	16	2, 3 PCLKB	2 ICLK	section 33.
0008 901Ch	S12AD	A/D internal reference voltage data register	ADOCDR	16	16	2, 3 PCLKB	2 ICLK	section 33.
0008 901Eh	S12AD	A/D self-diagnosis data register	ADRD	16	16	2, 3 PCLKB	2 ICLK	section 33.
0008 9020h	S12AD	A/D data register 0	ADDR0	16	16	2, 3 PCLKB	2 ICLK	section 33.
0008 9022h	S12AD	A/D data register 1	ADDR1	16	16	2, 3 PCLKB	2 ICLK	section 33.
0008 9024h	S12AD	A/D data register 2	ADDR2	16	16	2, 3 PCLKB	2 ICLK	section 33.
0008 9026h	S12AD	A/D data register 3	ADDR3	16	16	2, 3 PCLKB	2 ICLK	section 33.
0008 9028h	S12AD	A/D data register 4	ADDR4	16	16	2, 3 PCLKB	2 ICLK	section 33.
0008 902Ah	S12AD	A/D data register 5	ADDR5	16	16	2, 3 PCLKB	2 ICLK	section 33.
0008 902Ch	S12AD	A/D data register 6	ADDR6	16	16	2, 3 PCLKB	2 ICLK	section 33.
0008 902Eh	S12AD	A/D data register 7	ADDR7	16	16	2, 3 PCLKB	2 ICLK	section 33.
0008 9030h	S12AD	A/D data register 8	ADDR8	16	16	2, 3 PCLKB	2 ICLK	section 33.
0008 9032h	S12AD	A/D data register 9	ADDR9	16	16	2, 3 PCLKB	2 ICLK	section 33.
0008 9034h	S12AD	A/D data register 10	ADDR10	16	16	2, 3 PCLKB	2 ICLK	section 33.
0008 9036h	S12AD	A/D data register 11	ADDR11	16	16	2, 3 PCLKB	2 ICLK	section 33.
0008 9038h	S12AD	A/D data register 12	ADDR12	16	16	2, 3 PCLKB	2 ICLK	section 33.
0008 903Ah	S12AD	A/D data register 13	ADDR13	16	16	2, 3 PCLKB	2 ICLK	section 33.
0008 903Ch	S12AD	A/D data register 14	ADDR14	16	16	2, 3 PCLKB	2 ICLK	section 33.
0008 903Eh	S12AD	A/D data register 15	ADDR15	16	16	2, 3 PCLKB	2 ICLK	section 33.
0008 9060h	S12AD	A/D sampling state register 0	ADSSTRO	8	8	2, 3 PCLKB	2 ICLK	section 33.
0008 9061h	S12AD	A/D sampling state register L	ADSSTRL	8	8	2, 3 PCLKB	2 ICLK	section 33.
0008 9066h	S12AD	A/D sample and hold circuit register	ADSHCR	16	16	2, 3 PCLKB	2 ICLK	section 33.
0008 9070h	S12AD	A/D sampling state register T	ADSSTRT	8	8	2, 3 PCLKB	2 ICLK	section 33.
0008 9071h	S12AD	A/D sampling state register O	ADSSTRO	8	8	2, 3 PCLKB	2 ICLK	section 33.

Table 5.1 List of I/O Registers (Address Order) (17 / 30)

Address	Module Symbol	Register Name	Register Symbol	Number of Bits	Access Size	Number of Access Cycles		Reference Section
						ICLK \geq PCLK	ICLK $<$ PCLK	
0008 9073h	S12AD	A/D sampling state register 1	ADSSTR1	8	8	2, 3 PCLKB	2 ICLK	section 33.
0008 9074h	S12AD	A/D sampling state register 2	ADSSTR2	8	8	2, 3 PCLKB	2 ICLK	section 33.
0008 9075h	S12AD	A/D sampling state register 3	ADSSTR3	8	8	2, 3 PCLKB	2 ICLK	section 33.
0008 9076h	S12AD	A/D sampling state register 4	ADSSTR4	8	8	2, 3 PCLKB	2 ICLK	section 33.
0008 9077h	S12AD	A/D sampling state register 5	ADSSTR5	8	8	2, 3 PCLKB	2 ICLK	section 33.
0008 9078h	S12AD	A/D sampling state register 6	ADSSTR6	8	8	2, 3 PCLKB	2 ICLK	section 33.
0008 9079h	S12AD	A/D sampling state register 7	ADSSTR7	8	8	2, 3 PCLKB	2 ICLK	section 33.
0008 907Ah	S12AD	A/D disconnecting detection control register	ADDISCR	8	8	2, 3 PCLKB	2 ICLK	section 33.
0008 A000h	SCI0	Serial mode register	SMR	8	8	2, 3 PCLKB	2 ICLK	section 29.
0008 A001h	SCI0	Bit rate register	BRR	8	8	2, 3 PCLKB	2 ICLK	section 29.
0008 A002h	SCI0	Serial control register	SCR	8	8	2, 3 PCLKB	2 ICLK	section 29.
0008 A003h	SCI0	Transmit data register	TDR	8	8	2, 3 PCLKB	2 ICLK	section 29.
0008 A004h	SCI0	Serial status register	SSR	8	8	2, 3 PCLKB	2 ICLK	section 29.
0008 A005h	SCI0	Receive data register	RDR	8	8	2, 3 PCLKB	2 ICLK	section 29.
0008 A006h	SCI0	Smart card mode register	SCMR	8	8	2, 3 PCLKB	2 ICLK	section 29.
0008 A007h	SCI0	Serial extended mode register	SEMR	8	8	2, 3 PCLKB	2 ICLK	section 29.
0008 A008h	SCI0	Noise filter setting register	SNFR	8	8	2, 3 PCLKB	2 ICLK	section 29.
0008 A009h	SCI0	I ² C mode register 1	SIMR1	8	8	2, 3 PCLKB	2 ICLK	section 29.
0008 A00Ah	SCI0	I ² C mode register 2	SIMR2	8	8	2, 3 PCLKB	2 ICLK	section 29.
0008 A00Bh	SCI0	I ² C mode register 3	SIMR3	8	8	2, 3 PCLKB	2 ICLK	section 29.
0008 A00Ch	SCI0	I ² C status register	SISR	8	8	2, 3 PCLKB	2 ICLK	section 29.
0008 A00Dh	SCI0	SPI mode register	SPMR	8	8	2, 3 PCLKB	2 ICLK	section 29.
0008 A020h	SCI1	Serial mode register	SMR	8	8	2, 3 PCLKB	2 ICLK	section 29.
0008 A021h	SCI1	Bit rate register	BRR	8	8	2, 3 PCLKB	2 ICLK	section 29.
0008 A022h	SCI1	Serial control register	SCR	8	8	2, 3 PCLKB	2 ICLK	section 29.
0008 A023h	SCI1	Transmit data register	TDR	8	8	2, 3 PCLKB	2 ICLK	section 29.
0008 A024h	SCI1	Serial status register	SSR	8	8	2, 3 PCLKB	2 ICLK	section 29.
0008 A025h	SCI1	Receive data register	RDR	8	8	2, 3 PCLKB	2 ICLK	section 29.
0008 A026h	SCI1	Smart card mode register	SCMR	8	8	2, 3 PCLKB	2 ICLK	section 29.
0008 A027h	SCI1	Serial extended mode register	SEMR	8	8	2, 3 PCLKB	2 ICLK	section 29.
0008 A028h	SCI1	Noise filter setting register	SNFR	8	8	2, 3 PCLKB	2 ICLK	section 29.
0008 A029h	SCI1	I ² C mode register 1	SIMR1	8	8	2, 3 PCLKB	2 ICLK	section 29.
0008 A02Ah	SCI1	I ² C mode register 2	SIMR2	8	8	2, 3 PCLKB	2 ICLK	section 29.
0008 A02Bh	SCI1	I ² C mode register 3	SIMR3	8	8	2, 3 PCLKB	2 ICLK	section 29.
0008 A02Ch	SCI1	I ² C status register	SISR	8	8	2, 3 PCLKB	2 ICLK	section 29.
0008 A02Dh	SCI1	SPI mode register	SPMR	8	8	2, 3 PCLKB	2 ICLK	section 29.
0008 A040h	SCI2	Serial mode register	SMR	8	8	2, 3 PCLKB	2 ICLK	section 29.
0008 A041h	SCI2	Bit rate register	BRR	8	8	2, 3 PCLKB	2 ICLK	section 29.
0008 A042h	SCI2	Serial control register	SCR	8	8	2, 3 PCLKB	2 ICLK	section 29.
0008 A043h	SCI2	Transmit data register	TDR	8	8	2, 3 PCLKB	2 ICLK	section 29.
0008 A044h	SCI2	Serial status register	SSR	8	8	2, 3 PCLKB	2 ICLK	section 29.
0008 A045h	SCI2	Receive data register	RDR	8	8	2, 3 PCLKB	2 ICLK	section 29.
0008 A046h	SCI2	Smart card mode register	SCMR	8	8	2, 3 PCLKB	2 ICLK	section 29.
0008 A047h	SCI2	Serial extended mode register	SEMR	8	8	2, 3 PCLKB	2 ICLK	section 29.
0008 A048h	SCI2	Noise filter setting register	SNFR	8	8	2, 3 PCLKB	2 ICLK	section 29.
0008 A049h	SCI2	I ² C mode register 1	SIMR1	8	8	2, 3 PCLKB	2 ICLK	section 29.
0008 A04Ah	SCI2	I ² C mode register 2	SIMR2	8	8	2, 3 PCLKB	2 ICLK	section 29.
0008 A04Bh	SCI2	I ² C mode register 3	SIMR3	8	8	2, 3 PCLKB	2 ICLK	section 29.
0008 A04Ch	SCI2	I ² C status register	SISR	8	8	2, 3 PCLKB	2 ICLK	section 29.
0008 A04Dh	SCI2	SPI mode register	SPMR	8	8	2, 3 PCLKB	2 ICLK	section 29.
0008 A060h	SCI3	Serial mode register	SMR	8	8	2, 3 PCLKB	2 ICLK	section 29.

Table 5.1 List of I/O Registers (Address Order) (18 / 30)

Address	Module Symbol	Register Name	Register Symbol	Number of Bits	Access Size	Number of Access Cycles		Reference Section
						ICLK \geq PCLK	ICLK $<$ PCLK	
0008 A061h	SCI3	Bit rate register	BRR	8	8	2, 3 PCLKB	2 ICLK	section 29.
0008 A062h	SCI3	Serial control register	SCR	8	8	2, 3 PCLKB	2 ICLK	section 29.
0008 A063h	SCI3	Transmit data register	TDR	8	8	2, 3 PCLKB	2 ICLK	section 29.
0008 A064h	SCI3	Serial status register	SSR	8	8	2, 3 PCLKB	2 ICLK	section 29.
0008 A065h	SCI3	Receive data register	RDR	8	8	2, 3 PCLKB	2 ICLK	section 29.
0008 A066h	SCI3	Smart card mode register	SCMR	8	8	2, 3 PCLKB	2 ICLK	section 29.
0008 A067h	SCI3	Serial extended mode register	SEMR	8	8	2, 3 PCLKB	2 ICLK	section 29.
0008 A068h	SCI3	Noise filter setting register	SNFR	8	8	2, 3 PCLKB	2 ICLK	section 29.
0008 A069h	SCI3	I ² C mode register 1	SIMR1	8	8	2, 3 PCLKB	2 ICLK	section 29.
0008 A06Ah	SCI3	I ² C mode register 2	SIMR2	8	8	2, 3 PCLKB	2 ICLK	section 29.
0008 A06Bh	SCI3	I ² C mode register 3	SIMR3	8	8	2, 3 PCLKB	2 ICLK	section 29.
0008 A06Ch	SCI3	I ² C status register	SISR	8	8	2, 3 PCLKB	2 ICLK	section 29.
0008 A06Dh	SCI3	SPI mode register	SPMR	8	8	2, 3 PCLKB	2 ICLK	section 29.
0008 A080h	SCI4	Serial mode register	SMR	8	8	2, 3 PCLKB	2 ICLK	section 29.
0008 A081h	SCI4	Bit rate register	BRR	8	8	2, 3 PCLKB	2 ICLK	section 29.
0008 A082h	SCI4	Serial control register	SCR	8	8	2, 3 PCLKB	2 ICLK	section 29.
0008 A083h	SCI4	Transmit data register	TDR	8	8	2, 3 PCLKB	2 ICLK	section 29.
0008 A084h	SCI4	Serial status register	SSR	8	8	2, 3 PCLKB	2 ICLK	section 29.
0008 A085h	SCI4	Receive data register	RDR	8	8	2, 3 PCLKB	2 ICLK	section 29.
0008 A086h	SCI4	Smart card mode register	SCMR	8	8	2, 3 PCLKB	2 ICLK	section 29.
0008 A087h	SCI4	Serial extended mode register	SEMR	8	8	2, 3 PCLKB	2 ICLK	section 29.
0008 A088h	SCI4	Noise filter setting register	SNFR	8	8	2, 3 PCLKB	2 ICLK	section 29.
0008 A089h	SCI4	I ² C mode register 1	SIMR1	8	8	2, 3 PCLKB	2 ICLK	section 29.
0008 A08Ah	SCI4	I ² C mode register 2	SIMR2	8	8	2, 3 PCLKB	2 ICLK	section 29.
0008 A08Bh	SCI4	I ² C mode register 3	SIMR3	8	8	2, 3 PCLKB	2 ICLK	section 29.
0008 A08Ch	SCI4	I ² C status register	SISR	8	8	2, 3 PCLKB	2 ICLK	section 29.
0008 A08Dh	SCI4	SPI mode register	SPMR	8	8	2, 3 PCLKB	2 ICLK	section 29.
0008 A0A0h	SCI5	Serial mode register	SMR	8	8	2, 3 PCLKB	2 ICLK	section 29.
0008 A0A1h	SCI5	Bit rate register	BRR	8	8	2, 3 PCLKB	2 ICLK	section 29.
0008 A0A2h	SCI5	Serial control register	SCR	8	8	2, 3 PCLKB	2 ICLK	section 29.
0008 A0A3h	SCI5	Transmit data register	TDR	8	8	2, 3 PCLKB	2 ICLK	section 29.
0008 A0A4h	SCI5	Serial status register	SSR	8	8	2, 3 PCLKB	2 ICLK	section 29.
0008 A0A5h	SCI5	Receive data register	RDR	8	8	2, 3 PCLKB	2 ICLK	section 29.
0008 A0A6h	SCI5	Smart card mode register	SCMR	8	8	2, 3 PCLKB	2 ICLK	section 29.
0008 A0A7h	SCI5	Serial extended mode register	SEMR	8	8	2, 3 PCLKB	2 ICLK	section 29.
0008 A0A8h	SCI5	Noise filter setting register	SNFR	8	8	2, 3 PCLKB	2 ICLK	section 29.
0008 A0A9h	SCI5	I ² C mode register 1	SIMR1	8	8	2, 3 PCLKB	2 ICLK	section 29.
0008 A0AAh	SCI5	I ² C mode register 2	SIMR2	8	8	2, 3 PCLKB	2 ICLK	section 29.
0008 A0ABh	SCI5	I ² C mode register 3	SIMR3	8	8	2, 3 PCLKB	2 ICLK	section 29.
0008 A0ACh	SCI5	I ² C status register	SISR	8	8	2, 3 PCLKB	2 ICLK	section 29.
0008 A0ADh	SCI5	SPI mode register	SPMR	8	8	2, 3 PCLKB	2 ICLK	section 29.
0008 A0C0h	SCI6	Serial mode register	SMR	8	8	2, 3 PCLKB	2 ICLK	section 29.
0008 A0C1h	SCI6	Bit rate register	BRR	8	8	2, 3 PCLKB	2 ICLK	section 29.
0008 A0C2h	SCI6	Serial control register	SCR	8	8	2, 3 PCLKB	2 ICLK	section 29.
0008 A0C3h	SCI6	Transmit data register	TDR	8	8	2, 3 PCLKB	2 ICLK	section 29.
0008 A0C4h	SCI6	Serial status register	SSR	8	8	2, 3 PCLKB	2 ICLK	section 29.
0008 A0C5h	SCI6	Receive data register	RDR	8	8	2, 3 PCLKB	2 ICLK	section 29.
0008 A0C6h	SCI6	Smart card mode register	SCMR	8	8	2, 3 PCLKB	2 ICLK	section 29.
0008 A0C7h	SCI6	Serial extended mode register	SEMR	8	8	2, 3 PCLKB	2 ICLK	section 29.
0008 A0C8h	SCI6	Noise filter setting register	SNFR	8	8	2, 3 PCLKB	2 ICLK	section 29.
0008 A0C9h	SCI6	I ² C mode register 1	SIMR1	8	8	2, 3 PCLKB	2 ICLK	section 29.

Table 5.1 List of I/O Registers (Address Order) (19 / 30)

Address	Module Symbol	Register Name	Register Symbol	Number of Bits	Access Size	Number of Access Cycles		Reference Section
						ICLK \geq PCLK	ICLK < PCLK	
0008 A0CAh	SCI6	I ² C mode register 2	SIMR2	8	8	2, 3 PCLKB	2 ICLK	section 29.
0008 A0CBh	SCI6	I ² C mode register 3	SIMR3	8	8	2, 3 PCLKB	2 ICLK	section 29.
0008 A0CCh	SCI6	I ² C status register	SISR	8	8	2, 3 PCLKB	2 ICLK	section 29.
0008 A0CDh	SCI6	SPI mode register	SPMR	8	8	2, 3 PCLKB	2 ICLK	section 29.
0008 A0E0h	SCI7	Serial mode register	SMR	8	8	2, 3 PCLKB	2 ICLK	section 29.
0008 A0E1h	SCI7	Bit rate register	BRR	8	8	2, 3 PCLKB	2 ICLK	section 29.
0008 A0E2h	SCI7	Serial control register	SCR	8	8	2, 3 PCLKB	2 ICLK	section 29.
0008 A0E3h	SCI7	Transmit data register	TDR	8	8	2, 3 PCLKB	2 ICLK	section 29.
0008 A0E4h	SCI7	Serial status register	SSR	8	8	2, 3 PCLKB	2 ICLK	section 29.
0008 A0E5h	SCI7	Receive data register	RDR	8	8	2, 3 PCLKB	2 ICLK	section 29.
0008 A0E6h	SCI7	Smart card mode register	SCMR	8	8	2, 3 PCLKB	2 ICLK	section 29.
0008 A0E7h	SCI7	Serial extended mode register	SEMR	8	8	2, 3 PCLKB	2 ICLK	section 29.
0008 A0E8h	SCI7	Noise filter setting register	SNFR	8	8	2, 3 PCLKB	2 ICLK	section 29.
0008 A0E9h	SCI7	I ² C mode register 1	SIMR1	8	8	2, 3 PCLKB	2 ICLK	section 29.
0008 A0EAh	SCI7	I ² C mode register 2	SIMR2	8	8	2, 3 PCLKB	2 ICLK	section 29.
0008 A0EBh	SCI7	I ² C mode register 3	SIMR3	8	8	2, 3 PCLKB	2 ICLK	section 29.
0008 A0ECh	SCI7	I ² C status register	SISR	8	8	2, 3 PCLKB	2 ICLK	section 29.
0008 A0EDh	SCI7	SPI mode register	SPMR	8	8	2, 3 PCLKB	2 ICLK	section 29.
0008 A100h	SCI8	Serial mode register	SMR	8	8	2, 3 PCLKB	2 ICLK	section 29.
0008 A101h	SCI8	Bit rate register	BRR	8	8	2, 3 PCLKB	2 ICLK	section 29.
0008 A102h	SCI8	Serial control register	SCR	8	8	2, 3 PCLKB	2 ICLK	section 29.
0008 A103h	SCI8	Transmit data register	TDR	8	8	2, 3 PCLKB	2 ICLK	section 29.
0008 A104h	SCI8	Serial status register	SSR	8	8	2, 3 PCLKB	2 ICLK	section 29.
0008 A105h	SCI8	Receive data register	RDR	8	8	2, 3 PCLKB	2 ICLK	section 29.
0008 A106h	SCI8	Smart card mode register	SCMR	8	8	2, 3 PCLKB	2 ICLK	section 29.
0008 A107h	SCI8	Serial extended mode register	SEMR	8	8	2, 3 PCLKB	2 ICLK	section 29.
0008 A108h	SCI8	Noise filter setting register	SNFR	8	8	2, 3 PCLKB	2 ICLK	section 29.
0008 A109h	SCI8	I ² C mode register 1	SIMR1	8	8	2, 3 PCLKB	2 ICLK	section 29.
0008 A10Ah	SCI8	I ² C mode register 2	SIMR2	8	8	2, 3 PCLKB	2 ICLK	section 29.
0008 A10Bh	SCI8	I ² C mode register 3	SIMR3	8	8	2, 3 PCLKB	2 ICLK	section 29.
0008 A10Ch	SCI8	I ² C status register	SISR	8	8	2, 3 PCLKB	2 ICLK	section 29.
0008 A10Dh	SCI8	SPI mode register	SPMR	8	8	2, 3 PCLKB	2 ICLK	section 29.
0008 A120h	SCI9	Serial mode register	SMR	8	8	2, 3 PCLKB	2 ICLK	section 29.
0008 A121h	SCI9	Bit rate register	BRR	8	8	2, 3 PCLKB	2 ICLK	section 29.
0008 A122h	SCI9	Serial control register	SCR	8	8	2, 3 PCLKB	2 ICLK	section 29.
0008 A123h	SCI9	Transmit data register	TDR	8	8	2, 3 PCLKB	2 ICLK	section 29.
0008 A124h	SCI9	Serial status register	SSR	8	8	2, 3 PCLKB	2 ICLK	section 29.
0008 A125h	SCI9	Receive data register	RDR	8	8	2, 3 PCLKB	2 ICLK	section 29.
0008 A126h	SCI9	Smart card mode register	SCMR	8	8	2, 3 PCLKB	2 ICLK	section 29.
0008 A127h	SCI9	Serial extended mode register	SEMR	8	8	2, 3 PCLKB	2 ICLK	section 29.
0008 A128h	SCI9	Noise filter setting register	SNFR	8	8	2, 3 PCLKB	2 ICLK	section 29.
0008 A129h	SCI9	I ² C mode register 1	SIMR1	8	8	2, 3 PCLKB	2 ICLK	section 29.
0008 A12Ah	SCI9	I ² C mode register 2	SIMR2	8	8	2, 3 PCLKB	2 ICLK	section 29.
0008 A12Bh	SCI9	I ² C mode register 3	SIMR3	8	8	2, 3 PCLKB	2 ICLK	section 29.
0008 A12Ch	SCI9	I ² C status register	SISR	8	8	2, 3 PCLKB	2 ICLK	section 29.
0008 A12Dh	SCI9	SPI mode register	SPMR	8	8	2, 3 PCLKB	2 ICLK	section 29.
0008 A140h	SCI10	Serial mode register	SMR	8	8	2, 3 PCLKB	2 ICLK	section 29.
0008 A141h	SCI10	Bit rate register	BRR	8	8	2, 3 PCLKB	2 ICLK	section 29.
0008 A142h	SCI10	Serial control register	SCR	8	8	2, 3 PCLKB	2 ICLK	section 29.
0008 A143h	SCI10	Transmit data register	TDR	8	8	2, 3 PCLKB	2 ICLK	section 29.
0008 A144h	SCI10	Serial status register	SSR	8	8	2, 3 PCLKB	2 ICLK	section 29.

Table 5.1 List of I/O Registers (Address Order) (20 / 30)

Address	Module Symbol	Register Name	Register Symbol	Number of Bits	Access Size	Number of Access Cycles		Reference Section
						ICLK \geq PCLK	ICLK $<$ PCLK	
0008 A145h	SCI10	Receive data register	RDR	8	8	2, 3 PCLKB	2 ICLK	section 29.
0008 A146h	SCI10	Smart card mode register	SCMR	8	8	2, 3 PCLKB	2 ICLK	section 29.
0008 A147h	SCI10	Serial extended mode register	SEMR	8	8	2, 3 PCLKB	2 ICLK	section 29.
0008 A148h	SCI10	Noise filter setting register	SNFR	8	8	2, 3 PCLKB	2 ICLK	section 29.
0008 A149h	SCI10	I ² C mode register 1	SIMR1	8	8	2, 3 PCLKB	2 ICLK	section 29.
0008 A14Ah	SCI10	I ² C mode register 2	SIMR2	8	8	2, 3 PCLKB	2 ICLK	section 29.
0008 A14Bh	SCI10	I ² C mode register 3	SIMR3	8	8	2, 3 PCLKB	2 ICLK	section 29.
0008 A14Ch	SCI10	I ² C status register	SISR	8	8	2, 3 PCLKB	2 ICLK	section 29.
0008 A14Dh	SCI10	SPI mode register	SPMR	8	8	2, 3 PCLKB	2 ICLK	section 29.
0008 A160h	SCI11	Serial mode register	SMR	8	8	2, 3 PCLKB	2 ICLK	section 29.
0008 A161h	SCI11	Bit rate register	BRR	8	8	2, 3 PCLKB	2 ICLK	section 29.
0008 A162h	SCI11	Serial control register	SCR	8	8	2, 3 PCLKB	2 ICLK	section 29.
0008 A163h	SCI11	Transmit data register	TDR	8	8	2, 3 PCLKB	2 ICLK	section 29.
0008 A164h	SCI11	Serial status register	SSR	8	8	2, 3 PCLKB	2 ICLK	section 29.
0008 A165h	SCI11	Receive data register	RDR	8	8	2, 3 PCLKB	2 ICLK	section 29.
0008 A166h	SCI11	Smart card mode register	SCMR	8	8	2, 3 PCLKB	2 ICLK	section 29.
0008 A167h	SCI11	Serial extended mode register	SEMR	8	8	2, 3 PCLKB	2 ICLK	section 29.
0008 A168h	SCI11	Noise filter setting register	SNFR	8	8	2, 3 PCLKB	2 ICLK	section 29.
0008 A169h	SCI11	I ² C mode register 1	SIMR1	8	8	2, 3 PCLKB	2 ICLK	section 29.
0008 A16Ah	SCI11	I ² C mode register 2	SIMR2	8	8	2, 3 PCLKB	2 ICLK	section 29.
0008 A16Bh	SCI11	I ² C mode register 3	SIMR3	8	8	2, 3 PCLKB	2 ICLK	section 29.
0008 A16Ch	SCI11	I ² C status register	SISR	8	8	2, 3 PCLKB	2 ICLK	section 29.
0008 A16Dh	SCI11	SPI mode register	SPMR	8	8	2, 3 PCLKB	2 ICLK	section 29.
0008 B000h	CAC	CAC control register 0	CACR0	8	8	2, 3 PCLKB	2 ICLK	section 10.
0008 B001h	CAC	CAC control register 1	CACR1	8	8	2, 3 PCLKB	2 ICLK	section 10.
0008 B002h	CAC	CAC control register 2	CACR2	8	8	2, 3 PCLKB	2 ICLK	section 10.
0008 B003h	CAC	CAC interrupt control register	CAICR	8	8	2, 3 PCLKB	2 ICLK	section 10.
0008 B004h	CAC	CAC status register	CASTR	8	8	2, 3 PCLKB	2 ICLK	section 10.
0008 B006h	CAC	CAC upper-limit value setting register	CAULVR	16	16	2, 3 PCLKB	2 ICLK	section 10.
0008 B008h	CAC	CAC lower-limit value setting register	CALLVR	16	16	2, 3 PCLKB	2 ICLK	section 10.
0008 B00Ah	CAC	CAC counter buffer register	CACNTBR	16	16	2, 3 PCLKB	2 ICLK	section 10.
0008 B080h	DOC	DOC control register	DOCR	8	8	2, 3 PCLKB	2 ICLK	section 38.
0008 B082h	DOC	DOC data input register	DODIR	16	16	2, 3 PCLKB	2 ICLK	section 38.
0008 B084h	DOC	DOC data setting register	DODSR	16	16	2, 3 PCLKB	2 ICLK	section 38.
0008 B100h	ELC	Event link control register	ELCR	8	8	2, 3 PCLKB	2 ICLK	section 18.
0008 B102h	ELC	Event link setting register 1	ELSR1	8	8	2, 3 PCLKB	2 ICLK	section 18.
0008 B103h	ELC	Event link setting register 2	ELSR2	8	8	2, 3 PCLKB	2 ICLK	section 18.
0008 B104h	ELC	Event link setting register 3	ELSR3	8	8	2, 3 PCLKB	2 ICLK	section 18.
0008 B105h	ELC	Event link setting register 4	ELSR4	8	8	2, 3 PCLKB	2 ICLK	section 18.
0008 B108h	ELC	Event link setting register 7	ELSR7	8	8	2, 3 PCLKB	2 ICLK	section 18.
0008 B10Bh	ELC	Event link setting register 10	ELSR10	8	8	2, 3 PCLKB	2 ICLK	section 18.
0008 B10Dh	ELC	Event link setting register 12	ELSR12	8	8	2, 3 PCLKB	2 ICLK	section 18.
0008 B110h	ELC	Event link setting register 15	ELSR15	8	8	2, 3 PCLKB	2 ICLK	section 18.
0008 B111h	ELC	Event link setting register 16	ELSR16	8	8	2, 3 PCLKB	2 ICLK	section 18.
0008 B113h	ELC	Event link setting register 18	ELSR18	8	8	2, 3 PCLKB	2 ICLK	section 18.
0008 B114h	ELC	Event link setting register 19	ELSR19	8	8	2, 3 PCLKB	2 ICLK	section 18.
0008 B115h	ELC	Event link setting register 20	ELSR20	8	8	2, 3 PCLKB	2 ICLK	section 18.
0008 B116h	ELC	Event link setting register 21	ELSR21	8	8	2, 3 PCLKB	2 ICLK	section 18.
0008 B117h	ELC	Event link setting register 22	ELSR22	8	8	2, 3 PCLKB	2 ICLK	section 18.
0008 B118h	ELC	Event link setting register 23	ELSR23	8	8	2, 3 PCLKB	2 ICLK	section 18.
0008 B119h	ELC	Event link setting register 24	ELSR24	8	8	2, 3 PCLKB	2 ICLK	section 18.

Table 5.1 List of I/O Registers (Address Order) (21 / 30)

Address	Module Symbol	Register Name	Register Symbol	Number of Bits	Access Size	Number of Access Cycles		Reference Section
						ICLK \geq PCLK	ICLK $<$ PCLK	
0008 B11Ah	ELC	Event link setting register 25	ELSR25	8	8	2, 3 PCLKB	2 ICLK	section 18.
0008 B11Bh	ELC	Event link setting register 26	ELSR26	8	8	2, 3 PCLKB	2 ICLK	section 18.
0008 B11Ch	ELC	Event link setting register 27	ELSR27	8	8	2, 3 PCLKB	2 ICLK	section 18.
0008 B11Dh	ELC	Event link setting register 28	ELSR28	8	8	2, 3 PCLKB	2 ICLK	section 18.
0008 B11Eh	ELC	Event link setting register 29	ELSR29	8	8	2, 3 PCLKB	2 ICLK	section 18.
0008 B11Fh	ELC	Event link option setting register A	ELOPA	8	8	2, 3 PCLKB	2 ICLK	section 18.
0008 B120h	ELC	Event link option setting register B	ELOPB	8	8	2, 3 PCLKB	2 ICLK	section 18.
0008 B121h	ELC	Event link option setting register C	ELOPC	8	8	2, 3 PCLKB	2 ICLK	section 18.
0008 B122h	ELC	Event link option setting register D	ELOPD	8	8	2, 3 PCLKB	2 ICLK	section 18.
0008 B123h	ELC	Port group setting register 1	PGR1	8	8	2, 3 PCLKB	2 ICLK	section 18.
0008 B124h	ELC	Port group setting register 2	PGR2	8	8	2, 3 PCLKB	2 ICLK	section 18.
0008 B125h	ELC	Port group control register 1	PGC1	8	8	2, 3 PCLKB	2 ICLK	section 18.
0008 B126h	ELC	Port group control register 2	PGC2	8	8	2, 3 PCLKB	2 ICLK	section 18.
0008 B127h	ELC	Port buffer register 1	PDBF1	8	8	2, 3 PCLKB	2 ICLK	section 18.
0008 B128h	ELC	Port buffer register 2	PDBF2	8	8	2, 3 PCLKB	2 ICLK	section 18.
0008 B129h	ELC	Event link port setting register 0	PEL0	8	8	2, 3 PCLKB	2 ICLK	section 18.
0008 B12Ah	ELC	Event link port setting register 1	PEL1	8	8	2, 3 PCLKB	2 ICLK	section 18.
0008 B12Bh	ELC	Event link port setting register 2	PEL2	8	8	2, 3 PCLKB	2 ICLK	section 18.
0008 B12Ch	ELC	Event link port setting register 3	PEL3	8	8	2, 3 PCLKB	2 ICLK	section 18.
0008 B12Dh	ELC	Event link software event generation register	ELSEGR	8	8	2, 3 PCLKB	2 ICLK	section 18.
0008 B300h	SCI12	Serial mode register	SMR	8	8	2, 3 PCLKB	2 ICLK	section 29.
0008 B301h	SCI12	Bit rate register	BRR	8	8	2, 3 PCLKB	2 ICLK	section 29.
0008 B302h	SCI12	Serial control register	SCR	8	8	2, 3 PCLKB	2 ICLK	section 29.
0008 B303h	SCI12	Transmit data register	TDR	8	8	2, 3 PCLKB	2 ICLK	section 29.
0008 B304h	SCI12	Serial status register	SSR	8	8	2, 3 PCLKB	2 ICLK	section 29.
0008 B305h	SCI12	Receive data register	RDR	8	8	2, 3 PCLKB	2 ICLK	section 29.
0008 B306h	SCI12	Smart card mode register	SCMR	8	8	2, 3 PCLKB	2 ICLK	section 29.
0008 B307h	SCI12	Serial extended mode register	SEMR	8	8	2, 3 PCLKB	2 ICLK	section 29.
0008 B308h	SCI12	Noise filter setting register	SNFR	8	8	2, 3 PCLKB	2 ICLK	section 29.
0008 B309h	SCI12	I ² C mode register 1	SIMR1	8	8	2, 3 PCLKB	2 ICLK	section 29.
0008 B30Ah	SCI12	I ² C mode register 2	SIMR2	8	8	2, 3 PCLKB	2 ICLK	section 29.
0008 B30Bh	SCI12	I ² C mode register 3	SIMR3	8	8	2, 3 PCLKB	2 ICLK	section 29.
0008 B30Ch	SCI12	I ² C status register	SISR	8	8	2, 3 PCLKB	2 ICLK	section 29.
0008 B30Dh	SCI12	SPI mode register	SPMR	8	8	2, 3 PCLKB	2 ICLK	section 29.
0008 B320h	SCI12	Extended serial mode enable register	ESMER	8	8	2, 3 PCLKB	2 ICLK	section 29.
0008 B321h	SCI12	Control register 0	CR0	8	8	2, 3 PCLKB	2 ICLK	section 29.
0008 B322h	SCI12	Control register 1	CR1	8	8	2, 3 PCLKB	2 ICLK	section 29.
0008 B323h	SCI12	Control register 2	CR2	8	8	2, 3 PCLKB	2 ICLK	section 29.
0008 B324h	SCI12	Control register 3	CR3	8	8	2, 3 PCLKB	2 ICLK	section 29.
0008 B325h	SCI12	Port control register	PCR	8	8	2, 3 PCLKB	2 ICLK	section 29.
0008 B326h	SCI12	Interrupt control register	ICR	8	8	2, 3 PCLKB	2 ICLK	section 29.
0008 B327h	SCI12	Status register	STR	8	8	2, 3 PCLKB	2 ICLK	section 29.
0008 B328h	SCI12	Status clear register	STCR	8	8	2, 3 PCLKB	2 ICLK	section 29.
0008 B329h	SCI12	Control Field 0 data register	CF0DR	8	8	2, 3 PCLKB	2 ICLK	section 29.
0008 B32Ah	SCI12	Control Field 0 compare enable register	CF0CR	8	8	2, 3 PCLKB	2 ICLK	section 29.
0008 B32Bh	SCI12	Control Field 0 receive data register	CF0RR	8	8	2, 3 PCLKB	2 ICLK	section 29.
0008 B32Ch	SCI12	Primary control field 1 data register	PCF1DR	8	8	2, 3 PCLKB	2 ICLK	section 29.
0008 B32Dh	SCI12	Secondary control field 1 data register	SCF1DR	8	8	2, 3 PCLKB	2 ICLK	section 29.
0008 B32Eh	SCI12	Control field 1 compare enable register	CF1CR	8	8	2, 3 PCLKB	2 ICLK	section 29.
0008 B32Fh	SCI12	Control field 1 receive data register	CF1RR	8	8	2, 3 PCLKB	2 ICLK	section 29.
0008 B330h	SCI12	Timer control register	TCR	8	8	2, 3 PCLKB	2 ICLK	section 29.

Table 5.1 List of I/O Registers (Address Order) (22 / 30)

Address	Module Symbol	Register Name	Register Symbol	Number of Bits	Access Size	Number of Access Cycles		Reference Section
						ICLK \geq PCLK	ICLK $<$ PCLK	
0008 B331h	SCI12	Timer mode register	TMR	8	8	2, 3 PCLKB	2 ICLK	section 29.
0008 B332h	SCI12	Timer prescaler register	TPRE	8	8	2, 3 PCLKB	2 ICLK	section 29.
0008 B333h	SCI12	Timer count register	TCNT	8	8	2, 3 PCLKB	2 ICLK	section 29.
0008 C000h	PORT0	Port direction register	PDR	8	8	2, 3 PCLKB	2 ICLK	section 19.
0008 C001h	PORT1	Port direction register	PDR	8	8	2, 3 PCLKB	2 ICLK	section 19.
0008 C002h	PORT2	Port direction register	PDR	8	8	2, 3 PCLKB	2 ICLK	section 19.
0008 C003h	PORT3	Port direction register	PDR	8	8	2, 3 PCLKB	2 ICLK	section 19.
0008 C004h	PORT4	Port direction register	PDR	8	8	2, 3 PCLKB	2 ICLK	section 19.
0008 C005h	PORT5	Port direction register	PDR	8	8	2, 3 PCLKB	2 ICLK	section 19.
0008 C006h	PORT6	Port direction register	PDR	8	8	2, 3 PCLKB	2 ICLK	section 19.
0008 C007h	PORT7	Port direction register	PDR	8	8	2, 3 PCLKB	2 ICLK	section 19.
0008 C008h	PORT8	Port direction register	PDR	8	8	2, 3 PCLKB	2 ICLK	section 19.
0008 C009h	PORT9	Port direction register	PDR	8	8	2, 3 PCLKB	2 ICLK	section 19.
0008 C00Ah	PORTA	Port direction register	PDR	8	8	2, 3 PCLKB	2 ICLK	section 19.
0008 C00Bh	PORTB	Port direction register	PDR	8	8	2, 3 PCLKB	2 ICLK	section 19.
0008 C00Ch	PORTC	Port direction register	PDR	8	8	2, 3 PCLKB	2 ICLK	section 19.
0008 C00Dh	PORTD	Port direction register	PDR	8	8	2, 3 PCLKB	2 ICLK	section 19.
0008 C00Eh	PORTE	Port direction register	PDR	8	8	2, 3 PCLKB	2 ICLK	section 19.
0008 C00Fh	PORTF	Port direction register	PDR	8	8	2, 3 PCLKB	2 ICLK	section 19.
0008 C011h	PORTH	Port direction register	PDR	8	8	2, 3 PCLKB	2 ICLK	section 19.
0008 C012h	PORTJ	Port direction register	PDR	8	8	2, 3 PCLKB	2 ICLK	section 19.
0008 C013h	PORTK	Port direction register	PDR	8	8	2, 3 PCLKB	2 ICLK	section 19.
0008 C014h	PORTL	Port direction register	PDR	8	8	2, 3 PCLKB	2 ICLK	section 19.
0008 C020h	PORT0	Port output data register	PODR	8	8	2, 3 PCLKB	2 ICLK	section 19.
0008 C021h	PORT1	Port output data register	PODR	8	8	2, 3 PCLKB	2 ICLK	section 19.
0008 C022h	PORT2	Port output data register	PODR	8	8	2, 3 PCLKB	2 ICLK	section 19.
0008 C023h	PORT3	Port output data register	PODR	8	8	2, 3 PCLKB	2 ICLK	section 19.
0008 C024h	PORT4	Port output data register	PODR	8	8	2, 3 PCLKB	2 ICLK	section 19.
0008 C025h	PORT5	Port output data register	PODR	8	8	2, 3 PCLKB	2 ICLK	section 19.
0008 C026h	PORT6	Port output data register	PODR	8	8	2, 3 PCLKB	2 ICLK	section 19.
0008 C027h	PORT7	Port output data register	PODR	8	8	2, 3 PCLKB	2 ICLK	section 19.
0008 C028h	PORT8	Port output data register	PODR	8	8	2, 3 PCLKB	2 ICLK	section 19.
0008 C029h	PORT9	Port output data register	PODR	8	8	2, 3 PCLKB	2 ICLK	section 19.
0008 C02Ah	PORTA	Port output data register	PODR	8	8	2, 3 PCLKB	2 ICLK	section 19.
0008 C02Bh	PORTB	Port output data register	PODR	8	8	2, 3 PCLKB	2 ICLK	section 19.
0008 C02Ch	PORTC	Port output data register	PODR	8	8	2, 3 PCLKB	2 ICLK	section 19.
0008 C02Eh	PORTE	Port output data register	PODR	8	8	2, 3 PCLKB	2 ICLK	section 19.
0008 C02Fh	PORTF	Port output data register	PODR	8	8	2, 3 PCLKB	2 ICLK	section 19.
0008 C031h	PORTH	Port output data register	PODR	8	8	2, 3 PCLKB	2 ICLK	section 19.
0008 C032h	PORTJ	Port output data register	PODR	8	8	2, 3 PCLKB	2 ICLK	section 19.
0008 C033h	PORTK	Port output data register	PODR	8	8	2, 3 PCLKB	2 ICLK	section 19.
0008 C034h	PORTL	Port output data register	PODR	8	8	2, 3 PCLKB	2 ICLK	section 19.
0008 C040h	PORT0	Port input data register	PIDR	8	8	3 or 4 PCLKB cycles when reading, 2 or 3 PCLKB cycles when writing	3 ICLK cycles when reading, 2 ICLK cycles when writing	section 19.

Table 5.1 List of I/O Registers (Address Order) (23 / 30)

Address	Module Symbol	Register Name	Register Symbol	Number of Bits	Access Size	Number of Access Cycles		Reference Section
						ICLK \geq PCLK	ICLK $<$ PCLK	
0008 C041h	PORT1	Port input data register	PIDR	8	8	3 or 4 PCLKB cycles when reading, 2 or 3 PCLKB cycles when writing	3 ICLK cycles when reading, 2 ICLK cycles when writing	section 19.
0008 C042h	PORT2	Port input data register	PIDR	8	8	3 or 4 PCLKB cycles when reading, 2 or 3 PCLKB cycles when writing	3 ICLK cycles when reading, 2 ICLK cycles when writing	section 19.
0008 C043h	PORT3	Port input data register	PIDR	8	8	3 or 4 PCLKB cycles when reading, 2 or 3 PCLKB cycles when writing	3 ICLK cycles when reading, 2 ICLK cycles when writing	section 19.
0008 C044h	PORT4	Port input data register	PIDR	8	8	3 or 4 PCLKB cycles when reading, 2 or 3 PCLKB cycles when writing	3 ICLK cycles when reading, 2 ICLK cycles when writing	section 19.
0008 C045h	PORT5	Port input data register	PIDR	8	8	3 or 4 PCLKB cycles when reading, 2 or 3 PCLKB cycles when writing	3 ICLK cycles when reading, 2 ICLK cycles when writing	section 19.
0008 C046h	PORT6	Port input data register	PIDR	8	8	3 or 4 PCLKB cycles when reading, 2 or 3 PCLKB cycles when writing	3 ICLK cycles when reading, 2 ICLK cycles when writing	section 19.
0008 C047h	PORT7	Port input data register	PIDR	8	8	3 or 4 PCLKB cycles when reading, 2 or 3 PCLKB cycles when writing	3 ICLK cycles when reading, 2 ICLK cycles when writing	section 19.
0008 C048h	PORT8	Port input data register	PIDR	8	8	3 or 4 PCLKB cycles when reading, 2 or 3 PCLKB cycles when writing	3 ICLK cycles when reading, 2 ICLK cycles when writing	section 19.
0008 C049h	PORT9	Port input data register	PIDR	8	8	3 or 4 PCLKB cycles when reading, 2 or 3 PCLKB cycles when writing	3 ICLK cycles when reading, 2 ICLK cycles when writing	section 19.
0008 C04Ah	PORTA	Port input data register	PIDR	8	8	3 or 4 PCLKB cycles when reading, 2 or 3 PCLKB cycles when writing	3 ICLK cycles when reading, 2 ICLK cycles when writing	section 19.

Table 5.1 List of I/O Registers (Address Order) (24 / 30)

Address	Module Symbol	Register Name	Register Symbol	Number of Bits	Access Size	Number of Access Cycles		Reference Section
						ICLK \geq PCLK	ICLK < PCLK	
0008 C04Bh	PORTB	Port input data register	PIDR	8	8	3 or 4 PCLKB cycles when reading, 2 or 3 PCLKB cycles when writing	3 ICLK cycles when reading, 2 ICLK cycles when writing	section 19.
0008 C04Ch	PORTC	Port input data register	PIDR	8	8	3 or 4 PCLKB cycles when reading, 2 or 3 PCLKB cycles when writing	3 ICLK cycles when reading, 2 ICLK cycles when writing	section 19.
0008 C04Dh	PORTD	Port input data register	PIDR	8	8	3 or 4 PCLKB cycles when reading, 2 or 3 PCLKB cycles when writing	3 ICLK cycles when reading, 2 ICLK cycles when writing	section 19.
0008 C04Eh	PORTE	Port input data register	PIDR	8	8	3 or 4 PCLKB cycles when reading, 2 or 3 PCLKB cycles when writing	3 ICLK cycles when reading, 2 ICLK cycles when writing	section 19.
0008 C04Fh	PORTF	Port input data register	PIDR	8	8	3 or 4 PCLKB cycles when reading, 2 or 3 PCLKB cycles when writing	3 ICLK cycles when reading, 2 ICLK cycles when writing	section 19.
0008 C051h	PORTH	Port input data register	PIDR	8	8	3 or 4 PCLKB cycles when reading, 2 or 3 PCLKB cycles when writing	3 ICLK cycles when reading, 2 ICLK cycles when writing	section 19.
0008 C052h	PORTJ	Port input data register	PIDR	8	8	3 or 4 PCLKB cycles when reading, 2 or 3 PCLKB cycles when writing	3 ICLK cycles when reading, 2 ICLK cycles when writing	section 19.
0008 C053h	PORTK	Port input data register	PIDR	8	8	2, 3 PCLKB	2 ICLK	section 19.
0008 C054h	PORTL	Port input data register	PIDR	8	8	2, 3 PCLKB	2 ICLK	section 19.
0008 C060h	PORT0	Port mode register	PMR	8	8	2, 3 PCLKB	2 ICLK	section 19.
0008 C061h	PORT1	Port mode register	PMR	8	8	2, 3 PCLKB	2 ICLK	section 19.
0008 C062h	PORT2	Port mode register	PMR	8	8	2, 3 PCLKB	2 ICLK	section 19.
0008 C063h	PORT3	Port mode register	PMR	8	8	2, 3 PCLKB	2 ICLK	section 19.
0008 C064h	PORT4	Port mode register	PMR	8	8	2, 3 PCLKB	2 ICLK	section 19.
0008 C065h	PORT5	Port mode register	PMR	8	8	2, 3 PCLKB	2 ICLK	section 19.
0008 C066h	PORT6	Port mode register	PMR	8	8	2, 3 PCLKB	2 ICLK	section 19.
0008 C067h	PORT7	Port mode register	PMR	8	8	2, 3 PCLKB	2 ICLK	section 19.
0008 C068h	PORT8	Port mode register	PMR	8	8	2, 3 PCLKB	2 ICLK	section 19.
0008 C069h	PORT9	Port mode register	PMR	8	8	2, 3 PCLKB	2 ICLK	section 19.
0008 C06Ah	PORTA	Port mode register	PMR	8	8	2, 3 PCLKB	2 ICLK	section 19.
0008 C06Bh	PORTB	Port mode register	PMR	8	8	2, 3 PCLKB	2 ICLK	section 19.
0008 C06Ch	PORTC	Port mode register	PMR	8	8	2, 3 PCLKB	2 ICLK	section 19.
0008 C06Dh	PORTD	Port mode register	PMR	8	8	2, 3 PCLKB	2 ICLK	section 19.
0008 C06Eh	PORTE	Port mode register	PMR	8	8	2, 3 PCLKB	2 ICLK	section 19.

Table 5.1 List of I/O Registers (Address Order) (25 / 30)

Address	Module Symbol	Register Name	Register Symbol	Number of Bits	Access Size	Number of Access Cycles		Reference Section
						ICLK \geq PCLK	ICLK $<$ PCLK	
0008 C06Fh	PORTF	Port mode register	PMR	8	8	2, 3 PCLKB	2 ICLK	section 19.
0008 C071h	PORTH	Port mode register	PMR	8	8	2, 3 PCLKB	2 ICLK	section 19.
0008 C072h	PORTJ	Port mode register	PMR	8	8	2, 3 PCLKB	2 ICLK	section 19.
0008 C073h	PORTK	Port mode register	PMR	8	8	2, 3 PCLKB	2 ICLK	section 19.
0008 C074h	PORTL	Port mode register	PMR	8	8	2, 3 PCLKB	2 ICLK	section 19.
0008 C080	PORT0	Open drain control register 0	ODR0	8	8, 16	2, 3 PCLKB	2 ICLK	section 19.
0008 C082h	PORT1	Open drain control register 0	ODR0	8	8, 16	2, 3 PCLKB	2 ICLK	section 19.
0008 C083h	PORT1	Open drain control register 1	ODR1	8	8, 16	2, 3 PCLKB	2 ICLK	section 19.
0008 C084h	PORT2	Open drain control register 0	ODR0	8	8, 16	2, 3 PCLKB	2 ICLK	section 19.
0008 C085h	PORT2	Open drain control register 1	ODR1	8	8, 16	2, 3 PCLKB	2 ICLK	section 19.
0008 C086h	PORT3	Open drain control register 0	ODR0	8	8, 16	2, 3 PCLKB	2 ICLK	section 19.
0008 C087h	PORT3	Open drain control register 1	ODR1	8	8, 16	2, 3 PCLKB	2 ICLK	section 19.
0008 C08Ch	PORT6	Open drain control register 0	ODR0	8	8, 16	2, 3 PCLKB	2 ICLK	section 19.
0008 C08Eh	PORT7	Open drain control register 0	ODR0	8	8, 16	2, 3 PCLKB	2 ICLK	section 19.
0008 C08Fh	PORT7	Open drain control register 1	ODR1	8	8, 16	2, 3 PCLKB	2 ICLK	section 19.
0008 C090h	PORT8	Open drain control register 0	ODR0	8	8, 16	2, 3 PCLKB	2 ICLK	section 19.
0008 C092h	PORT9	Open drain control register 0	ODR0	8	8, 16	2, 3 PCLKB	2 ICLK	section 19.
0008 C094h	PORTA	Open drain control register 0	ODR0	8	8, 16	2, 3 PCLKB	2 ICLK	section 19.
0008 C095h	PORTA	Open drain control register 1	ODR1	8	8, 16	2, 3 PCLKB	2 ICLK	section 19.
0008 C096h	PORTB	Open drain control register 0	ODR0	8	8, 16	2, 3 PCLKB	2 ICLK	section 19.
0008 C097h	PORTB	Open drain control register 1	ODR1	8	8, 16	2, 3 PCLKB	2 ICLK	section 19.
0008 C098h	PORTC	Open drain control register 0	ODR0	8	8, 16	2, 3 PCLKB	2 ICLK	section 19.
0008 C099h	PORTC	Open drain control register 1	ODR1	8	8, 16	2, 3 PCLKB	2 ICLK	section 19.
0008 C09Ch	PORTE	Open drain control register 0	ODR0	8	8, 16	2, 3 PCLKB	2 ICLK	section 19.
0008 C09Dh	PORTE	Open drain control register 1	ODR1	8	8, 16	2, 3 PCLKB	2 ICLK	section 19.
0008 C0A6h	PORTK	Open drain control register 0	ODR0	8	8, 16	2, 3 PCLKB	2 ICLK	section 19.
0008 C0A7h	PORTK	Open drain control register 1	ODR1	8	8, 16	2, 3 PCLKB	2 ICLK	section 19.
0008 C0C0h	PORT0	Pull-up control register	PCR	8	8	2, 3 PCLKB	2 ICLK	section 19.
0008 C0C1h	PORT1	Pull-up control register	PCR	8	8	2, 3 PCLKB	2 ICLK	section 19.
0008 C0C2h	PORT2	Pull-up control register	PCR	8	8	2, 3 PCLKB	2 ICLK	section 19.
0008 C0C3h	PORT3	Pull-up control register	PCR	8	8	2, 3 PCLKB	2 ICLK	section 19.
0008 C0C4h	PORT4	Pull-up control register	PCR	8	8	2, 3 PCLKB	2 ICLK	section 19.
0008 C0C5h	PORT5	Pull-up control register	PCR	8	8	2, 3 PCLKB	2 ICLK	section 19.
0008 C0C6h	PORT6	Pull-up control register	PCR	8	8	2, 3 PCLKB	2 ICLK	section 19.
0008 C0C7h	PORT7	Pull-up control register	PCR	8	8	2, 3 PCLKB	2 ICLK	section 19.
0008 C0C8h	PORT8	Pull-up control register	PCR	8	8	2, 3 PCLKB	2 ICLK	section 19.
0008 C0C9h	PORT9	Pull-up control register	PCR	8	8	2, 3 PCLKB	2 ICLK	section 19.
0008 C0CAh	PORTA	Pull-up control register	PCR	8	8	2, 3 PCLKB	2 ICLK	section 19.
0008 C0CBh	PORTB	Pull-up control register	PCR	8	8	2, 3 PCLKB	2 ICLK	section 19.
0008 C0CCh	PORTC	Pull-up control register	PCR	8	8	2, 3 PCLKB	2 ICLK	section 19.
0008 C0CDh	PORTD	Pull-up control register	PCR	8	8	2, 3 PCLKB	2 ICLK	section 19.
0008 C0CEh	PORTE	Pull-up control register	PCR	8	8	2, 3 PCLKB	2 ICLK	section 19.
0008 C0CFh	PORTF	Pull-up control register	PCR	8	8	2, 3 PCLKB	2 ICLK	section 19.
0008 C0D1h	PORTH	Pull-up control register	PCR	8	8	2, 3 PCLKB	2 ICLK	section 19.
0008 C0D2h	PORTJ	Pull-up control register	PCR	8	8	2, 3 PCLKB	2 ICLK	section 19.
0008 C0D3h	PORTK	Pull-up control register	PCR	8	8	2, 3 PCLKB	2 ICLK	section 19.
0008 C0D4h	PORTL	Pull-up control register	PCR	8	8	2, 3 PCLKB	2 ICLK	section 19.
0008 C0E0h	PORT0	Drive capacity control register	DSCR	8	8	2, 3 PCLKB	2 ICLK	section 19.
0008 C0E1h	PORT1	Drive capacity control register	DSCR	8	8	2, 3 PCLKB	2 ICLK	section 19.
0008 C0E2h	PORT2	Drive capacity control register	DSCR	8	8	2, 3 PCLKB	2 ICLK	section 19.
0008 C0E3h	PORT3	Drive capacity control register	DSCR	8	8	2, 3 PCLKB	2 ICLK	section 19.

Table 5.1 List of I/O Registers (Address Order) (26 / 30)

Address	Module Symbol	Register Name	Register Symbol	Number of Bits	Access Size	Number of Access Cycles		Reference Section
						ICLK ≥ PCLK	ICLK < PCLK	
0008 C0E5h	PORT5	Drive capacity control register	DSCR	8	8	2, 3 PCLKB	2 ICLK	section 19.
0008 C0E6h	PORT6	Drive capacity control register	DSCR	8	8	2, 3 PCLKB	2 ICLK	section 19.
0008 C0E7h	PORT7	Drive capacity control register	DSCR	8	8	2, 3 PCLKB	2 ICLK	section 19.
0008 C0E8h	PORT8	Drive capacity control register	DSCR	8	8	2, 3 PCLKB	2 ICLK	section 19.
0008 C0E9h	PORT9	Drive capacity control register	DSCR	8	8	2, 3 PCLKB	2 ICLK	section 19.
0008 C0EAh	PORTA	Drive capacity control register	DSCR	8	8	2, 3 PCLKB	2 ICLK	section 19.
0008 C0EBh	PORTB	Drive capacity control register	DSCR	8	8	2, 3 PCLKB	2 ICLK	section 19.
0008 C0ECh	PORTC	Drive capacity control register	DSCR	8	8	2, 3 PCLKB	2 ICLK	section 19.
0008 C0EDh	PORTD	Drive capacity control register	DSCR	8	8	2, 3 PCLKB	2 ICLK	section 19.
0008 C0EEh	PORTE	Drive capacity control register	DSCR	8	8	2, 3 PCLKB	2 ICLK	section 19.
0008 C0F1h	PORTH	Drive capacity control register	DSCR	8	8	2, 3 PCLKB	2 ICLK	section 19.
0008 C0F2h	PORTJ	Drive capacity control register	DSCR	8	8	2, 3 PCLKB	2 ICLK	section 19.
0008 C0F3h	PORTK	Drive capacity control register	DSCR	8	8	2, 3 PCLKB	2 ICLK	section 19.
0008 C100h	MPC	CS output enable register	PFCSE	8	8	2, 3 PCLKB	2 ICLK	section 20.
0008 C104h	MPC	Address output enable register 0	PFAOE0	8	8, 16	2, 3 PCLKB	2 ICLK	section 20.
0008 C105h	MPC	Address output enable register 1	PFAOE1	8	8, 16	2, 3 PCLKB	2 ICLK	section 20.
0008 C106h	MPC	External bus control register 0	PFBCR0	8	8, 16	2, 3 PCLKB	2 ICLK	section 20.
0008 C107h	MPC	External bus control register 1	PFBCR1	8	8, 16	2, 3 PCLKB	2 ICLK	section 20.
0008 C11Fh	MPC	Write-protect register	PWPR	8	8	2, 3 PCLKB	2 ICLK	section 20.
0008 C140h	MPC	P00 pin function control register	P00PFS	8	8	2, 3 PCLKB	2 ICLK	section 20.
0008 C141h	MPC	P01 pin function control register	P01PFS	8	8	2, 3 PCLKB	2 ICLK	section 20.
0008 C142h	MPC	P02 pin function control register	P02PFS	8	8	2, 3 PCLKB	2 ICLK	section 20.
0008 C143h	MPC	P03 pin function control register	P03PFS	8	8	2, 3 PCLKB	2 ICLK	section 20.
0008 C145h	MPC	P05 pin function control register	P05PFS	8	8	2, 3 PCLKB	2 ICLK	section 20.
0008 C147h	MPC	P07 pin function control register	P07PFS	8	8	2, 3 PCLKB	2 ICLK	section 20.
0008 C14Ah	MPC	P12 pin function control register	P12PFS	8	8	2, 3 PCLKB	2 ICLK	section 20.
0008 C14Bh	MPC	P13 pin function control register	P13PFS	8	8	2, 3 PCLKB	2 ICLK	section 20.
0008 C14Ch	MPC	P14 pin function control register	P14PFS	8	8	2, 3 PCLKB	2 ICLK	section 20.
0008 C14Dh	MPC	P15 pin function control register	P15PFS	8	8	2, 3 PCLKB	2 ICLK	section 20.
0008 C14Eh	MPC	P16 pin function control register	P16PFS	8	8	2, 3 PCLKB	2 ICLK	section 20.
0008 C14Fh	MPC	P17 pin function control register	P17PFS	8	8	2, 3 PCLKB	2 ICLK	section 20.
0008 C150h	MPC	P20 pin function control register	P20PFS	8	8	2, 3 PCLKB	2 ICLK	section 20.
0008 C151h	MPC	P21 pin function control register	P21PFS	8	8	2, 3 PCLKB	2 ICLK	section 20.
0008 C152h	MPC	P22 pin function control register	P22PFS	8	8	2, 3 PCLKB	2 ICLK	section 20.
0008 C153h	MPC	P23 pin function control register	P23PFS	8	8	2, 3 PCLKB	2 ICLK	section 20.
0008 C154h	MPC	P24 pin function control register	P24PFS	8	8	2, 3 PCLKB	2 ICLK	section 20.
0008 C155h	MPC	P25 pin function control register	P25PFS	8	8	2, 3 PCLKB	2 ICLK	section 20.
0008 C156h	MPC	P26 pin function control register	P26PFS	8	8	2, 3 PCLKB	2 ICLK	section 20.
0008 C157h	MPC	P27 pin function control register	P27PFS	8	8	2, 3 PCLKB	2 ICLK	section 20.
0008 C158h	MPC	P30 pin function control register	P30PFS	8	8	2, 3 PCLKB	2 ICLK	section 20.
0008 C159h	MPC	P31 pin function control register	P31PFS	8	8	2, 3 PCLKB	2 ICLK	section 20.
0008 C15Ah	MPC	P32 pin function control register	P32PFS	8	8	2, 3 PCLKB	2 ICLK	section 20.
0008 C15Bh	MPC	P33 pin function control register	P33PFS	8	8	2, 3 PCLKB	2 ICLK	section 20.
0008 C15Ch	MPC	P34 pin function control register	P34PFS	8	8	2, 3 PCLKB	2 ICLK	section 20.
0008 C160h	MPC	P40 pin function control register	P40PFS	8	8	2, 3 PCLKB	2 ICLK	section 20.
0008 C161h	MPC	P41 pin function control register	P41PFS	8	8	2, 3 PCLKB	2 ICLK	section 20.
0008 C162h	MPC	P42 pin function control register	P42PFS	8	8	2, 3 PCLKB	2 ICLK	section 20.
0008 C163h	MPC	P43 pin function control register	P43PFS	8	8	2, 3 PCLKB	2 ICLK	section 20.
0008 C164h	MPC	P44 pin function control register	P44PFS	8	8	2, 3 PCLKB	2 ICLK	section 20.
0008 C165h	MPC	P45 pin function control register	P45PFS	8	8	2, 3 PCLKB	2 ICLK	section 20.
0008 C166h	MPC	P46 pin function control register	P46PFS	8	8	2, 3 PCLKB	2 ICLK	section 20.

Table 5.1 List of I/O Registers (Address Order) (27 / 30)

Address	Module Symbol	Register Name	Register Symbol	Number of Bits	Access Size	Number of Access Cycles		Reference Section
						ICLK \geq PCLK	ICLK $<$ PCLK	
0008 C167h	MPC	P47 pin function control register	P47PFS	8	8	2, 3 PCLKB	2 ICLK	section 20.
0008 C168h	MPC	P50 pin function control register	P50PFS	8	8	2, 3 PCLKB	2 ICLK	section 20.
0008 C169h	MPC	P51 pin function control register	P51PFS	8	8	2, 3 PCLKB	2 ICLK	section 20.
0008 C16Ah	MPC	P52 pin function control register	P52PFS	8	8	2, 3 PCLKB	2 ICLK	section 20.
0008 C16Ch	MPC	P54 pin function control register	P54PFS	8	8	2, 3 PCLKB	2 ICLK	section 20.
0008 C16Dh	MPC	P55 pin function control register	P55PFS	8	8	2, 3 PCLKB	2 ICLK	section 20.
0008 C16Eh	MPC	P56 pin function control register	P56PFS	8	8	2, 3 PCLKB	2 ICLK	section 20.
0008 C170h	MPC	P60 pin function control register	P60PFS	8	8	2, 3 PCLKB	2 ICLK	section 20.
0008 C171h	MPC	P61 pin function control register	P61PFS	8	8	2, 3 PCLKB	2 ICLK	section 20.
0008 C178h	MPC	P70 pin function control register	P70PFS	8	8	2, 3 PCLKB	2 ICLK	section 20.
0008 C17Ch	MPC	P74 pin function control register	P74PFS	8	8	2, 3 PCLKB	2 ICLK	section 20.
0008 C17Dh	MPC	P75 pin function control register	P75PFS	8	8	2, 3 PCLKB	2 ICLK	section 20.
0008 C17Eh	MPC	P76 pin function control register	P76PFS	8	8	2, 3 PCLKB	2 ICLK	section 20.
0008 C17Fh	MPC	P77 pin function control register	P77PFS	8	8	2, 3 PCLKB	2 ICLK	section 20.
0008 C180h	MPC	P80 pin function control register	P80PFS	8	8	2, 3 PCLKB	2 ICLK	section 20.
0008 C181h	MPC	P81 pin function control register	P81PFS	8	8	2, 3 PCLKB	2 ICLK	section 20.
0008 C182h	MPC	P82 pin function control register	P82PFS	8	8	2, 3 PCLKB	2 ICLK	section 20.
0008 C183h	MPC	P83 pin function control register	P83PFS	8	8	2, 3 PCLKB	2 ICLK	section 20.
0008 C186h	MPC	P86 pin function control register	P86PFS	8	8	2, 3 PCLKB	2 ICLK	section 20.
0008 C187h	MPC	P87 pin function control register	P87PFS	8	8	2, 3 PCLKB	2 ICLK	section 20.
0008 C188h	MPC	P90 pin function control register	P90PFS	8	8	2, 3 PCLKB	2 ICLK	section 20.
0008 C189h	MPC	P91 pin function control register	P91PFS	8	8	2, 3 PCLKB	2 ICLK	section 20.
0008 C18Ah	MPC	P92 pin function control register	P92PFS	8	8	2, 3 PCLKB	2 ICLK	section 20.
0008 C18Bh	MPC	P93 pin function control register	P93PFS	8	8	2, 3 PCLKB	2 ICLK	section 20.
0008 C190h	MPC	PA0 pin function control register	PA0PFS	8	8	2, 3 PCLKB	2 ICLK	section 20.
0008 C191h	MPC	PA1 pin function control register	PA1PFS	8	8	2, 3 PCLKB	2 ICLK	section 20.
0008 C192h	MPC	PA2 pin function control register	PA2PFS	8	8	2, 3 PCLKB	2 ICLK	section 20.
0008 C193h	MPC	PA3 pin function control register	PA3PFS	8	8	2, 3 PCLKB	2 ICLK	section 20.
0008 C194h	MPC	PA4 pin function control register	PA4PFS	8	8	2, 3 PCLKB	2 ICLK	section 20.
0008 C195h	MPC	PA5 pin function control register	PA5PFS	8	8	2, 3 PCLKB	2 ICLK	section 20.
0008 C196h	MPC	PA6 pin function control register	PA6PFS	8	8	2, 3 PCLKB	2 ICLK	section 20.
0008 C197h	MPC	PA7 pin function control register	PA7PFS	8	8	2, 3 PCLKB	2 ICLK	section 20.
0008 C198h	MPC	PB0 pin function control register	PB0PFS	8	8	2, 3 PCLKB	2 ICLK	section 20.
0008 C199h	MPC	PB1 pin function control register	PB1PFS	8	8	2, 3 PCLKB	2 ICLK	section 20.
0008 C19Ah	MPC	PB2 pin function control register	PB2PFS	8	8	2, 3 PCLKB	2 ICLK	section 20.
0008 C19Bh	MPC	PB3 pin function control register	PB3PFS	8	8	2, 3 PCLKB	2 ICLK	section 20.
0008 C19Ch	MPC	PB4 pin function control register	PB4PFS	8	8	2, 3 PCLKB	2 ICLK	section 20.
0008 C19Dh	MPC	PB5 pin function control register	PB5PFS	8	8	2, 3 PCLKB	2 ICLK	section 20.
0008 C19Eh	MPC	PB6 pin function control register	PB6PFS	8	8	2, 3 PCLKB	2 ICLK	section 20.
0008 C19Fh	MPC	PB7 pin function control register	PB7PFS	8	8	2, 3 PCLKB	2 ICLK	section 20.
0008 C1A0h	MPC	PC0 pin function control register	PC0PFS	8	8	2, 3 PCLKB	2 ICLK	section 20.
0008 C1A1h	MPC	PC1 pin function control register	PC1PFS	8	8	2, 3 PCLKB	2 ICLK	section 20.
0008 C1A2h	MPC	PC2 pin function control register	PC2PFS	8	8	2, 3 PCLKB	2 ICLK	section 20.
0008 C1A3h	MPC	PC3 pin function control register	PC3PFS	8	8	2, 3 PCLKB	2 ICLK	section 20.
0008 C1A4h	MPC	PC4 pin function control register	PC4PFS	8	8	2, 3 PCLKB	2 ICLK	section 20.
0008 C1A5h	MPC	PC5 pin function control register	PC5PFS	8	8	2, 3 PCLKB	2 ICLK	section 20.
0008 C1A6h	MPC	PC6 pin function control register	PC6PFS	8	8	2, 3 PCLKB	2 ICLK	section 20.
0008 C1A7h	MPC	PC7 pin function control register	PC7PFS	8	8	2, 3 PCLKB	2 ICLK	section 20.
0008 C1A8h	MPC	PD0 pin function control register	PD0PFS	8	8	2, 3 PCLKB	2 ICLK	section 20.
0008 C1A9h	MPC	PD1 pin function control register	PD1PFS	8	8	2, 3 PCLKB	2 ICLK	section 20.
0008 C1AAh	MPC	PD2 pin function control register	PD2PFS	8	8	2, 3 PCLKB	2 ICLK	section 20.

Table 5.1 List of I/O Registers (Address Order) (28 / 30)

Address	Module Symbol	Register Name	Register Symbol	Number of Bits	Access Size	Number of Access Cycles		Reference Section
						ICLK ≥ PCLK	ICLK < PCLK	
0008 C1ABh	MPC	PD3 pin function control register	PD3PFS	8	8	2, 3 PCLKB	2 ICLK	section 20.
0008 C1ACh	MPC	PD4 pin function control register	PD4PFS	8	8	2, 3 PCLKB	2 ICLK	section 20.
0008 C1ADh	MPC	PD5 pin function control register	PD5PFS	8	8	2, 3 PCLKB	2 ICLK	section 20.
0008 C1AEh	MPC	PD6 pin function control register	PD6PFS	8	8	2, 3 PCLKB	2 ICLK	section 20.
0008 C1AFh	MPC	PD7 pin function control register	PD7PFS	8	8	2, 3 PCLKB	2 ICLK	section 20.
0008 C1B0h	MPC	PE0 pin function control register	PE0PFS	8	8	2, 3 PCLKB	2 ICLK	section 20.
0008 C1B1h	MPC	PE1 pin function control register	PE1PFS	8	8	2, 3 PCLKB	2 ICLK	section 20.
0008 C1B2h	MPC	PE2 pin function control register	PE2PFS	8	8	2, 3 PCLKB	2 ICLK	section 20.
0008 C1B3h	MPC	PE3 pin function control register	PE3PFS	8	8	2, 3 PCLKB	2 ICLK	section 20.
0008 C1B4h	MPC	PE4 pin function control register	PE4PFS	8	8	2, 3 PCLKB	2 ICLK	section 20.
0008 C1B5h	MPC	PE5 pin function control register	PE5PFS	8	8	2, 3 PCLKB	2 ICLK	section 20.
0008 C1B6h	MPC	PE6 pin function control register	PE6PFS	8	8	2, 3 PCLKB	2 ICLK	section 20.
0008 C1B7h	MPC	PE7 pin function control register	PE7PFS	8	8	2, 3 PCLKB	2 ICLK	section 20.
0008 C1BDh	MPC	PF5 pin function control register	PF5PFS	8	8	2, 3 PCLKB	2 ICLK	section 20.
0008 C1C8h	MPC	PH0 pin function control register	PH0PFS	8	8	2, 3 PCLKB	2 ICLK	section 20.
0008 C1C9h	MPC	PH1 pin function control register	PH1PFS	8	8	2, 3 PCLKB	2 ICLK	section 20.
0008 C1CAh	MPC	PH2 pin function control register	PH2PFS	8	8	2, 3 PCLKB	2 ICLK	section 20.
0008 C1CBh	MPC	PH3 pin function control register	PH3PFS	8	8	2, 3 PCLKB	2 ICLK	section 20.
0008 C1D1h	MPC	PJ1 pin function control register	PJ1PFS	8	8	2, 3 PCLKB	2 ICLK	section 20.
0008 C1D3h	MPC	PJ3 pin function control register	PJ3PFS	8	8	2, 3 PCLKB	2 ICLK	section 20.
0008 C1DAh	MPC	PK2 pin function control register	PK2PFS	8	8	2, 3 PCLKB	2 ICLK	section 20.
0008 C1DBh	MPC	PK3 pin function control register	PK3PFS	8	8	2, 3 PCLKB	2 ICLK	section 20.
0008 C1DCh	MPC	PK4 pin function control register	PK4PFS	8	8	2, 3 PCLKB	2 ICLK	section 20.
0008 C1DDh	MPC	PK5 pin function control register	PK5PFS	8	8	2, 3 PCLKB	2 ICLK	section 20.
0008 C280h	SYSTEM	Deep standby control register	DPSBYCR	8	8	4, 5 PCLKB	2, 3 ICLK	section 11.
0008 C282h	SYSTEM	Deep standby interrupt enable register 0	DPSIER0	8	8	4, 5 PCLKB	2, 3 ICLK	section 11.
0008 C284h	SYSTEM	Deep standby interrupt enable register 2	DPSIER2	8	8	4, 5 PCLKB	2, 3 ICLK	section 11.
0008 C286h	SYSTEM	Deep standby interrupt flag register 0	DPSIFR0	8	8	4, 5 PCLKB	2, 3 ICLK	section 11.
0008 C288h	SYSTEM	Deep standby interrupt flag register 2	DPSIFR2	8	8	4, 5 PCLKB	2, 3 ICLK	section 11.
0008 C28Ah	SYSTEM	Deep standby interrupt edge register 0	DPSIEGR0	8	8	4, 5 PCLKB	2, 3 ICLK	section 11.
0008 C28Ch	SYSTEM	Deep standby interrupt edge register 2	DPSIEGR2	8	8	4, 5 PCLKB	2, 3 ICLK	section 11.
0008 C28Fh	SYSTEM	Flash HOCO software standby control register	FHSSBYCR	8	8	4, 5 PCLKB	2, 3 ICLK	section 11.
0008 C290h	SYSTEM	Reset status register 0	RSTSR0	8	8	4, 5 PCLKB	2, 3 ICLK	section 6.
0008 C291h	SYSTEM	Reset status register 1	RSTSR1	8	8	4, 5 PCLKB	2, 3 ICLK	section 6.
0008 C293h	SYSTEM	Main clock oscillator forced oscillation control register	MOFCR	8	8	4, 5 PCLKB	2, 3 ICLK	section 9.
0008 C294h	SYSTEM	High-speed clock oscillator power supply control register	HOCOPCR	8	8	4, 5 PCLKB	2, 3 ICLK	section 9.
0008 C295h	SYSTEM	PLL power control register	PLLPCR	8	8	4, 5 PCLKB	2, 3 ICLK	section 9.
0008 C296h	FLASH	Flash write erase protection register	FWEPROR	8	8	4, 5 PCLKB	2, 3 ICLK	section 40., section 41.
0008 C297h	SYSTEM	Voltage monitoring circuit/comparator A control register	LVCMPCR	8	8	4, 5 PCLKB	2, 3 ICLK	section 8., section 36.
0008 C298h	SYSTEM	Voltage detection level select register	LVDLVL	8	8	4, 5 PCLKB	2, 3 ICLK	section 8., section 36.
0008 C29Ah	SYSTEM	Voltage monitoring 1 circuit/comparator A1 control register 0	LVD1CR0	8	8	4, 5 PCLKB	2, 3 ICLK	section 8., section 36.
0008 C29Bh	SYSTEM	Voltage monitoring 2 circuit/comparator A2 control register 0	LVD2CR0	8	8	4, 5 PCLKB	2, 3 ICLK	section 8., section 36.
0008 C2A0h to 0008 C2BFh	SYSTEM	Deep standby backup register 0 to 31	DPSBKR0 to DPSBKR31	8	8	4, 5 PCLKB	2, 3 ICLK	section 11.
0008 C400h	RTC	64-Hz counter	R64CNT	8	8	2, 3 PCLKB	2 ICLK	section 26.
0008 C402h	RTC	Second counter	RSECCNT	8	8	2, 3 PCLKB	2 ICLK	section 26.
0008 C404h	RTC	Minute counter	RMINCNT	8	8	2, 3 PCLKB	2 ICLK	section 26.
0008 C406h	RTC	Hour counter	RHRCNT	8	8	2, 3 PCLKB	2 ICLK	section 26.
0008 C408h	RTC	Day-of-week counter	RWKCNT	8	8	2, 3 PCLKB	2 ICLK	section 26.

Table 5.1 List of I/O Registers (Address Order) (29 / 30)

Address	Module Symbol	Register Name	Register Symbol	Number of Bits	Access Size	Number of Access Cycles		Reference Section
						ICLK ≥ PCLK	ICLK < PCLK	
0008 C40Ah	RTC	Date counter	RDAYCNT	8	8	2, 3 PCLKB	2 ICLK	section 26.
0008 C40Ch	RTC	Month counter	RMONCNT	8	8	2, 3 PCLKB	2 ICLK	section 26.
0008 C40Eh	RTC	Year counter	RYRCNT	16	16	2, 3 PCLKB	2 ICLK	section 26.
0008 C410h	RTC	Second alarm register	RSECAR	8	8	2, 3 PCLKB	2 ICLK	section 26.
0008 C412h	RTC	Minute alarm register	RMINAR	8	8	2, 3 PCLKB	2 ICLK	section 26.
0008 C414h	RTC	Hour alarm register	RHRAR	8	8	2, 3 PCLKB	2 ICLK	section 26.
0008 C416h	RTC	Day-of-week alarm register	RWKAR	8	8	2, 3 PCLKB	2 ICLK	section 26.
0008 C418h	RTC	Date alarm register	RDAYAR	8	8	2, 3 PCLKB	2 ICLK	section 26.
0008 C41Ah	RTC	Month alarm register	RMONAR	8	8	2, 3 PCLKB	2 ICLK	section 26.
0008 C41Ch	RTC	Year alarm register	RYRAR	16	16	2, 3 PCLKB	2 ICLK	section 26.
0008 C41Eh	RTC	Year alarm enable register	RYRAREN	8	8	2, 3 PCLKB	2 ICLK	section 26.
0008 C422h	RTC	RTC control register 1	RCR1	8	8	2, 3 PCLKB	2 ICLK	section 26.
0008 C424h	RTC	RTC control register 2	RCR2	8	8	2, 3 PCLKB	2 ICLK	section 26.
0008 C426h	RTC	RTC control register 3	RCR3	8	8	2, 3 PCLKB	2 ICLK	section 26.
0008 C42Eh	RTC	Time error adjustment register	RADJ	8	8	2, 3 PCLKB	2 ICLK	section 26.
0008 C440h	RTC	Time capture control register 0	RTCCR0	8	8	2, 3 PCLKB	2 ICLK	section 26.
0008 C442h	RTC	Time capture control register 1	RTCCR1	8	8	2, 3 PCLKB	2 ICLK	section 26.
0008 C444h	RTC	Time capture control register 2	RTCCR2	8	8	2, 3 PCLKB	2 ICLK	section 26.
0008 C452h	RTC	Second capture register 0	RSECCP0	8	8	2, 3 PCLKB	2 ICLK	section 26.
0008 C454h	RTC	Minute capture register 0	RMINCP0	8	8	2, 3 PCLKB	2 ICLK	section 26.
0008 C456h	RTC	Hour capture register 0	RHRCP0	8	8	2, 3 PCLKB	2 ICLK	section 26.
0008 C45Ah	RTC	Date capture register 0/	RDAYCP0	8	8	2, 3 PCLKB	2 ICLK	section 26.
0008 C45Ch	RTC	Month capture register 0	RMONCP0	8	8	2, 3 PCLKB	2 ICLK	section 26.
0008 C462h	RTC	Second capture register 1	RSECCP1	8	8	2, 3 PCLKB	2 ICLK	section 26.
0008 C464h	RTC	Minute capture register 1	RMINCP1	8	8	2, 3 PCLKB	2 ICLK	section 26.
0008 C466h	RTC	Hour capture register 1	RHRCP1	8	8	2, 3 PCLKB	2 ICLK	section 26.
0008 C46Ah	RTC	Date capture register 1	RDAYCP1	8	8	2, 3 PCLKB	2 ICLK	section 26.
0008 C46Ch	RTC	Month capture register 1	RMONCP1	8	8	2, 3 PCLKB	2 ICLK	section 26.
0008 C472h	RTC	Second capture register 2	RSECCP2	8	8	2, 3 PCLKB	2 ICLK	section 26.
0008 C474h	RTC	Minute capture register 2	RMINCP2	8	8	2, 3 PCLKB	2 ICLK	section 26.
0008 C476h	RTC	Hour capture register 2	RHRCP2	8	8	2, 3 PCLKB	2 ICLK	section 26.
0008 C47Ah	RTC	Date capture register 2	RDAYCP2	8	8	2, 3 PCLKB	2 ICLK	section 26.
0008 C47Ch	RTC	Month capture register 2	RMONCP2	8	8	2, 3 PCLKB	2 ICLK	section 26.
0008 C500h	TEMP	Temperature sensor control register	TSCR	8	8	2, 3 PCLKB	2 ICLK	section 35.
0008 C580h	CMPB	Comparator B control register 1	CPBCNT1	8	8	2, 3 PCLKB	2 ICLK	section 37.
0008 C582h	CMPB	Comparator B flag register	CPBFLG	8	8	2, 3 PCLKB	2 ICLK	section 37.
0008 C583h	CMPB	Comparator B interrupt control register	CPBINT	8	8	2, 3 PCLKB	2 ICLK	section 37.
0008 C584h	CMPB	Comparator B filter select register	CPBF	8	8	2, 3 PCLKB	2 ICLK	section 37.
007F C402h	FLASH	Flash mode register	FMODR	8	8	2, 3 FCLK	2 ICLK	section 40., section 41.
007F C410h	FLASH	Flash access status register	FASTAT	8	8	2, 3 FCLK	2 ICLK	section 40., section 41.
007F C411h	FLASH	Flash access error interrupt enable register	FAEINT	8	8	2, 3 FCLK	2 ICLK	section 40., section 41.
007F C412h	FLASH	Flash ready interrupt enable register	FRDYIE	8	8	2, 3 FCLK	2 ICLK	section 40., section 41.
007F C440h	FLASH	E2 DataFlash read enable register 0	DFLRE0	16	16	2, 3 FCLK	2 ICLK	section 41.
007F C450h	FLASH	E2 DataFlash programming/erasure enable register 0	DFLWE0	16	16	2, 3 FCLK	2 ICLK	section 41.
007F C454h	FLASH	FCU RAM enable register	FCURAME	16	16	2, 3 FCLK	2 ICLK	section 40., section 41.
007F FFB0h	FLASH	Flash status register 0	FSTATR0	8	8	2, 3 FCLK	2 ICLK	section 40., section 41.
007F FFB1h	FLASH	Flash status register 1	FSTATR1	8	8	2, 3 FCLK	2 ICLK	section 40., section 41.

Table 5.1 List of I/O Registers (Address Order) (30 / 30)

Address	Module Symbol	Register Name	Register Symbol	Number of Bits	Access Size	Number of Access Cycles		Reference Section
						ICLK \geq PCLK	ICLK < PCLK	
007F FFB2h	FLASH	Flash P/E mode entry register	FENTRYR	16	16	2, 3 FCLK	2 ICLK	section 40., section 41.
007F FFB4h	FLASH	Flash protection register	FPROTR	16	16	2, 3 FCLK	2 ICLK	section 40.
007F FFB6h	FLASH	Flash reset register	FRESETR	16	16	2, 3 FCLK	2 ICLK	section 40.
007F FFBAh	FLASH	FCU command register	FCMDR	16	16	2, 3 FCLK	2 ICLK	section 40.
007F FFC8h	FLASH	FCU processing switching register	FCPSR	16	16	2, 3 FCLK	2 ICLK	section 40.
007F FFCAh	FLASH	E2 DataFlash blank check control register	DFLBCCNT	16	16	2, 3 FCLK	2 ICLK	section 41.
007F FFCh	FLASH	Flash P/E status register	FPESTAT	16	16	2, 3 FCLK	2 ICLK	section 40., section 41.
007F FFCEh	FLASH	E2 DataFlash blank check status register	DFLBCSTAT	16	16	2, 3 FCLK	2 ICLK	section 41.
007F FFE8h	FLASH	Peripheral clock notification register	PCKAR	16	16	2, 3 FCLK	2 ICLK	section 40., section 41.

Note 1. Odd addresses cannot be accessed in 16-bit units. When accessing a register in 16-bit units, access the address of the TMR0 or TMR2 register. Table 24.4 lists register allocation for 16-bit access.

Note 2. Odd addresses cannot be accessed in 16-bit units. When accessing a register in 16-bit units, access the address of the TMOCNL register. Table 30.3 lists register allocation for 16-bit access.

6. Resets

6.1 Overview

There are nine types of resets: RES# pin reset, power-on reset, voltage monitoring 0 reset, voltage monitoring 1 reset, voltage monitoring 2 reset, deep software standby reset, independent watchdog timer reset, watchdog timer reset, and software reset.

Table 6.1 lists the reset names and sources.

Table 6.1 Reset Names and Sources

Reset Name	Source
RES# pin reset	Voltage input to the RES# pin is driven low.
Power-on reset	VCC rises (voltage monitored: VPOR)*1
Voltage monitoring 0 reset	VCC falls (voltage monitored: Vdet0)*1
Voltage monitoring 1 reset	VCC falls (voltage monitored: Vdet1)*1
Voltage monitoring 2 reset	VCC falls (voltage monitored: Vdet2)*1
Deep software standby reset	Deep software standby mode is canceled by an interrupt.
Independent watchdog timer reset	The independent watchdog timer underflows, or a refresh error occurs.
Watchdog timer reset	The watchdog timer underflows, or a refresh error occurs.
Software reset	Register setting

Note 1. For the voltages to be monitored (VPOR, Vdet0, Vdet1, and Vdet2), see section 8, Voltage Detection Circuit (LVDAa) and section 42, Electrical Characteristics.

The internal state and pins are initialized by a reset.

Table 6.2 lists the reset targets to be initialized.

Table 6.2 Targets Initialized by Each Reset Source (1/2)

Target to be Initialized	Reset Source								
	RES# Pin Reset	Power-On Reset	Voltage Monitoring 0 Reset	Independent Watchdog Timer Reset	Watchdog Timer Reset	Voltage Monitoring 1 Reset	Voltage Monitoring 2 Reset	Deep Software Standby Reset	Software Reset
The power-on reset detect flag (RSTSR0.PORF)	○	—	—	—	—	—	—	—	—
Register related to the cold start/warm start determination flag (RSTSR1.CWSF)	—*1	○	—	—	—	—	—	—	—
Voltage monitoring 0 reset detect flag (RSTSR0.LVD0RF)	○	○	—	—	—	—	—	—	—
The independent watchdog timer reset detect flag (RSTSR2.IWDTRF)	○	○	○	—	—	—	—	○	—
Registers related to the independent watchdog timer (IWDTRR, IWDTCR, IWDTSR, IWDTRCR, IWDTCSTPR, ILOCOCR)	○	○	○	—	—	—	—	○	—
The watchdog timer reset detect flag (RSTSR2.WDTRF)	○	○	○	○	—	—	—	○	—
Registers related to the watchdog timer (WDTRR, WDTCCR, WDTSR, WDTRCR)	○	○	○	○	—	—	—	○	—
The voltage monitoring 1 reset detect flag (RSTSR0.LVD1RF)	○	○	○	○	○	—	—	—	—
Registers related to voltage monitor function 1 (LVD1CR0, LVCMPCR.EXVREFINP1, EXVCCINP1, LVD1E, LVDLVL.R.LVD1LVL[3:0])	○	○	○	○	○	—	—	—	—
(LVD1CR1, LVD1SR)	○	○	○	○	○	—	—	○	—
The voltage monitoring 2 reset detect flag (RSTSR0.LVD2RF)	○	○	○	○	○	○	—	—	—
Registers related to voltage monitor function 2 (LVD2CR0, LVCMPCR.EXVREFINP2, EXVCCINP2, LVD2E, LVDLVL.R.LVD2LVL[3:0])	○	○	○	○	○	○	—	—	—
(LVD2CR1, LVD2SR)	○	○	○	○	○	○	—	○	—
The deep software standby reset flag (RSTSR0.DPSRSTF)	○	○	○	○	○	○	○	—	—
Registers related to the low power consumption function (DPSBYCR, DPSIER0, DPSIER2, DPSIFR0, DPSIFR2, DPSIEGR0, DPSIEGR2, FHSSBYCR)	○	○	○	○	○	○	○	—	○
Registers related to main clock oscillator (MOFCR)	○	○	○	○	○	○	○	—	○
Register related to high-speed on-chip oscillator (HOCOPCR.HOCOPCNT)	○	○	○	○	○	○	○	—	○
Pin state	○	○	○	○	○	○	○	—	○
The software reset detect flag (RSTSR2.SWRF)	○	○	○	○	○	○	○	○	—

Table 6.2 Targets Initialized by Each Reset Source (2/2)

Target to be Initialized	Reset Source								
	RES# Pin Reset	Power-On Reset	Voltage Monitoring 0 Reset	Independent Watchdog Timer Reset	Watchdog Timer Reset	Voltage Monitoring 1 Reset	Voltage Monitoring 2 Reset	Deep Software Standby Reset	Software Reset
Register related to the realtime clock*2	—	—	—	—	—	—	—	—	—
Registers other than the above, CPU, and internal state	○	○	○	○	○	○	○	○	○

○: Targets to be initialized, —: No change occurs.

Note 1. Initialized at a power-on.

Note 2. Some control bits (RCR1.CIE, RCR2.RTCOE, ADJ30, and RESET) are initialized by all types of reset. For details on the target bits, refer to section 26, Realtime Clock (RTCb).

When a reset is canceled, the reset exception handling starts. For the reset exception handling, see section 13, Exception Handling.

Table 6.3 lists the pin related to the reset.

Table 6.3 Pin Related to Reset

Pin Name	I/O	Function
RES#	Input	Reset pin

6.2 Register Descriptions

6.2.1 Reset Status Register 0 (RSTSR0)

Address(es): 0008 C290h

b7	b6	b5	b4	b3	b2	b1	b0
DPSRS TF	—	—	—	LVD2R F	LVD1R F	LVD0R F	PORF

Value after reset: 0*1 0 0 0 0*1 0*1 0*1 0*1

Note 1. The value after reset depends on the reset source.

Bit	Symbol	Bit Name	Description	R/W
b0	PORF	Power-On Reset Detect Flag	0: Power-on reset not detected. 1: Power-on reset detected.	R(W) *1
b1	LVD0RF	Voltage Monitoring 0 Reset Detect Flag	0: Voltage monitoring 0 reset not detected. 1: Voltage monitoring 0 reset detected.	R(W) *1
b2	LVD1RF	Voltage Monitoring 1 Reset Detect Flag	0: Voltage monitoring 1 reset not detected. 1: Voltage monitoring 1 reset detected.	R(W) *1
b3	LVD2RF	Voltage Monitoring 2 Reset Detect Flag	0: Voltage monitoring 2 reset not detected. 1: Voltage monitoring 2 reset detected.	R(W) *1
b6 to b4	—	Reserved	These bits are read as 0. The write value should be 0.	R/W
b7	DPSRSTF	Deep Software Standby Reset Detect Flag	0: Deep software standby mode cancellation not requested by an interrupt. 1: Deep software standby mode cancellation requested by an interrupt.	R(W) *1

Note 1. Only 0 can be written to clear the flag.

PORF Flag (Power-On Reset Detect Flag)

The PORF flag indicates that a power-on reset has occurred.

[Setting condition]

- When a power-on reset occurs.

[Clearing conditions]

- When resets shown in Table 6.2 occur.
- When PORF is read as 1 and then 0 is written to PORF.

LVD0RF Flag (Voltage Monitoring 0 Reset Detect Flag)

The LVD0RF flag indicates that VCC voltage has fallen below Vdet0.

[Setting condition]

- When Vdet0-level VCC voltage is detected.

[Clearing conditions]

- When resets listed in Table 6.2 occur.
- When LVD0RF is read as 1 and then 0 is written to LVD0RF.

LVD1RF Flag (Voltage Monitoring 1 Reset Detect Flag)

The LVD1RF flag indicates that VCC voltage has fallen below Vdet1.

[Setting condition]

- When Vdet1-level VCC voltage is detected.

[Clearing conditions]

- When a reset listed in Table 6.2 occurs.
- When LVD1RF is read as 1 and then 0 is written to LVD1RF.

LVD2RF Flag (Voltage Monitoring 2 Reset Detect Flag)

The LVD2RF flag indicates that VCC voltage has fallen below Vdet2.

[Setting condition]

- When Vdet2-level VCC voltage is detected.

[Clearing conditions]

- When a reset listed in Table 6.2 occurs.
- When LVD2RF is read as 1 and then 0 is written to LVD2RF.

DPSRSTF Flag (Deep Software Standby Reset Detect Flag)

The DPSRSTF flag indicates that deep software standby mode has been canceled by an interrupt and that an internal reset (deep software standby reset) occurs.

[Setting condition]

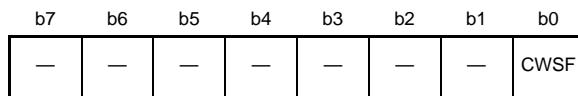
- When deep software standby mode is canceled by an internal interrupt.
For details, see section 11, Low Power Consumption.

[Clearing conditions]

- When resets shown in Table 6.2 occur.
- When DPSRSTF is read as 1 and then 0 is written to DPSRSTF.

6.2.2 Reset Status Register 1 (RSTSR1)

Address(es): 0008 C291h



Value after reset: 0 0 0 0 0 0 0 0/1*1

Note 1. The value after reset depends on the reset source.

Bit	Symbol	Bit Name	Description	R/W
b0	CWSF	Cold/Warm Start Determination Flag	0: Cold start 1: Warm start	R(W) *1
b7 to b1	—	Reserved	These bits are read as 0. The write value should be 0.	R/W

Note 1. Only 1 can be written to set the flag.

RSTSR1 determines whether a power-on reset has caused the reset processing (cold start) or a reset signal input during operation has caused the reset processing (warm start).

CWSF Flag (Cold/Warm Start Determination Flag)

The CWSF flag indicates the type of reset processing: cold start or warm start.

The CWSF flag is initialized at a power-on.

[Setting condition]

- When 1 is written through programming; it is not set to 0 even when 0 is written.

[Clearing condition]

- When a reset listed in Table 6.2 occurs.

6.2.3 Reset Status Register 2 (RSTSR2)

Address(es): 0008 00C0h

	b7	b6	b5	b4	b3	b2	b1	b0
	—	—	—	—	—	SWRF	WDTR F	IWDTR F
Value after reset:	0	0	0	0	0	0*1	0*1	0*1

Note 1. The value after reset depends on the reset source.

Bit	Symbol	Bit Name	Description	R/W
b0	IWDTRF	Independent Watchdog Timer Reset Detect Flag	0: Independent watchdog timer reset not detected. 1: Independent watchdog timer reset detected.	R/(W) *1
b1	WDTRF	Watchdog Timer Reset Detect Flag	0: Watchdog timer reset not detected. 1: Watchdog timer reset detected.	R/(W) *1
b2	SWRF	Software Reset Detect Flag	0: Software reset not detected. 1: Software reset detected.	R/(W) *1
b7 to b3	—	Reserved	These bits are read as 0. The write value should be 0.	R/W

Note 1. Only 0 can be written to clear the flag.

IWDTRF Flag (Independent Watchdog Timer Reset Detect Flag)

The IWDTRF flag indicates that an independent watchdog timer reset has occurred.

[Setting condition]

- When an independent watchdog timer reset occurs.

[Clearing conditions]

- When a reset listed in Table 6.2 occurs.
- When IWDTRF is read as 1 and then 0 is written to IWDTRF.

WDTRF Flag (Watchdog Timer Reset Detect Flag)

The WDTRF flag indicates that a watchdog timer reset has occurred.

[Setting condition]

- When a watchdog timer reset occurs.

[Clearing conditions]

- When a reset listed in Table 6.2 occurs.
- When WDTRF is read as 1 and then 0 is written to WDTRF.

SWRF Flag (Software Reset Detect Flag)

The SWRF flag indicates that a software reset has occurred.

[Setting condition]

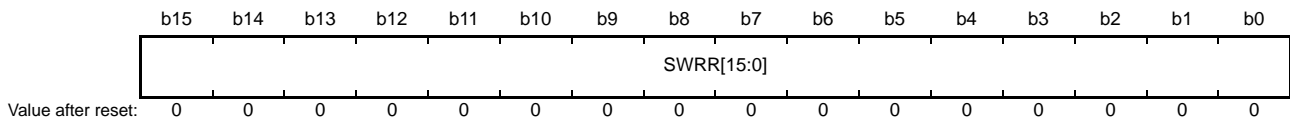
- When a software reset occurs.

[Clearing conditions]

- When a reset listed in Table 6.2 occurs.
- When SWRF is read as 1 and then 0 is written to SWRF.

6.2.4 Software Reset Register (SWRR)

Address(es): 0008 00C2h



Bit	Symbol	Bit Name	Description	R/W
b15 to b0	SWRR[15:0]	Software Reset	Writing A501h resets the LSI. These bits are read as 0000h.	R/W

Note: • Set the PRCR.PRC1 bit to 1 (write enabled) before rewriting this register.

6.3 Operation

6.3.1 RES# Pin Reset

This is a reset generated by the RES# pin.

When the RES# pin is driven low, all the processing in progress is aborted and the LSI enters a reset state.

In order to unfailingly reset the LSI, the RES# pin should be held low for the specified power supply stabilization time at a power-on.

When the RES# pin is driven high from low, the internal reset is canceled after the post-RES# cancellation wait time (tRESWT) has elapsed, and then the CPU starts the reset exception handling.

For details, see section 42, Electrical Characteristics.

6.3.2 Power-On Reset and Voltage Monitoring 0 Reset

The power-on reset is an internal reset generated by the power-on reset circuit. If the RES# pin is in a high level state when power is supplied, a power-on reset is generated. After VCC has exceeded VPOR and the specified period (power-on reset time) has elapsed, the internal reset is canceled and the CPU starts the reset exception handling. The power-on reset time is a stabilization period of the external power supply and the LSI circuit. After a power-on reset has been generated, the PORF flag in RSTSR0 is set to 1. The PORF flag is initialized by RES# pin reset.

The voltage monitoring 0 reset is an internal reset generated by the voltage monitoring circuit. If the voltage detection circuit 0 start bit (LVDAS) in option function select register 1 (OFS1) is 0 (voltage monitoring 0 reset is enabled after a reset) and VCC falls below Vdet0, the RSTSR0.LVD0RF flag becomes 1 and the voltage detection circuit generates voltage monitoring 0 reset. Clear the OFS1.LVDAS bit to 0 if the voltage monitoring 0 reset is to be used.

Release from the voltage monitoring 0 reset state occurs when VCC rises above Vdet0 and the LVD0 reset time (tLVD0) elapses, and then the CPU starts the reset exception handling.

Figure 6.1 shows operations during a power-on reset and voltage monitoring 0 reset.

For details on voltage monitoring 0 reset, refer to section 8, Voltage Detection Circuit (LVDAa).

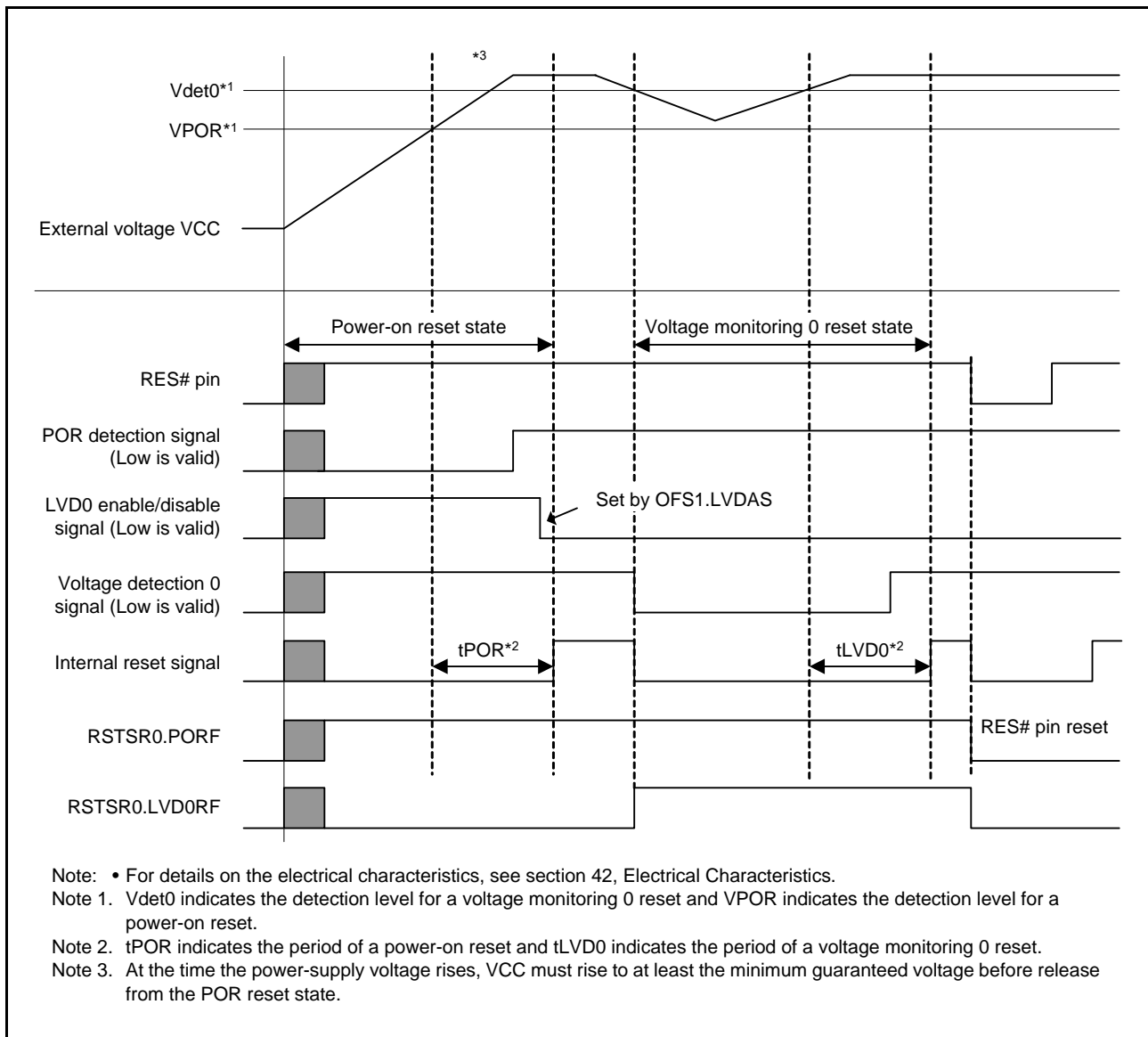


Figure 6.1 Operation Examples During a Power-On Reset and Voltage Monitoring 0 Reset

6.3.3 Voltage Monitoring 1 Reset and Voltage Monitoring 2 Reset

The voltage monitoring 1 reset and voltage monitoring 2 reset are internal resets generated by the voltage monitoring circuit.

When the voltage monitoring 1 interrupt/reset enable bit (LVD1RIE) is set to 1 (enabling generation of a reset or interrupt by the voltage detection circuit) and the voltage monitoring 1 circuit mode select bit (LVD1RI) is set to 1 (selecting generation of a reset in response to detection of a low voltage) in the voltage monitoring 1 circuit control register 0 (LVD1CR0), the RSTSR0.LVD1RF flag is set to 1 and the voltage-detection circuit generates a voltage monitoring 1 reset if VCC falls to or below Vdet1.

Likewise, when the voltage monitoring 2 interrupt/reset enable bit (LVD2RIE) is set to 1 (enabling generation of a reset or interrupt by the voltage detection circuit) and the voltage monitoring 2 circuit mode select bit (LVD2RI) is set to 1 (selecting generation of a reset in response to detection of a low voltage) in voltage monitoring 2 circuit control register 0 (LVD2CR0), the RSTSR0.LVD2RF flag is set to 1 and the voltage detection circuit generates a voltage monitoring 2 reset if VCC falls to or below Vdet2.

Timing for release from the voltage monitoring 1 reset state is selectable with the voltage monitoring 1 reset negation

select bit (LVD1RN) in the LVD1CR0 register. When the LVD1CR0.LVD1RN bit is 0 and VCC has fallen to or below Vdet1, the CPU is released from the internal reset state and starts reset exception handling once the voltage monitoring 1 reset time (tLVD1) has elapsed after VCC has risen above Vdet1. When the LVD1CR0.LVD1RN bit is 1 and VCC has fallen to or below Vdet1, the CPU is released from the internal reset state and starts reset exception handling once the voltage monitoring 1 reset time (tLVD1) has elapsed.

Likewise, timing for release from the voltage monitoring 2 reset state is selectable by setting the voltage monitoring 2/comparator A2 reset negation select bit (LVD2RN) in the LVD2CR0 register. Detection levels Vdet1 and Vdet2 can be changed by settings in the voltage detection level select register (LVDLVLR).

Figure 6.2 shows examples of operations during voltage monitoring 1 and 2 resets.

For details on the voltage monitoring 1 reset and voltage monitoring 2 reset, refer to section 8, Voltage Detection Circuit (LVDAa).

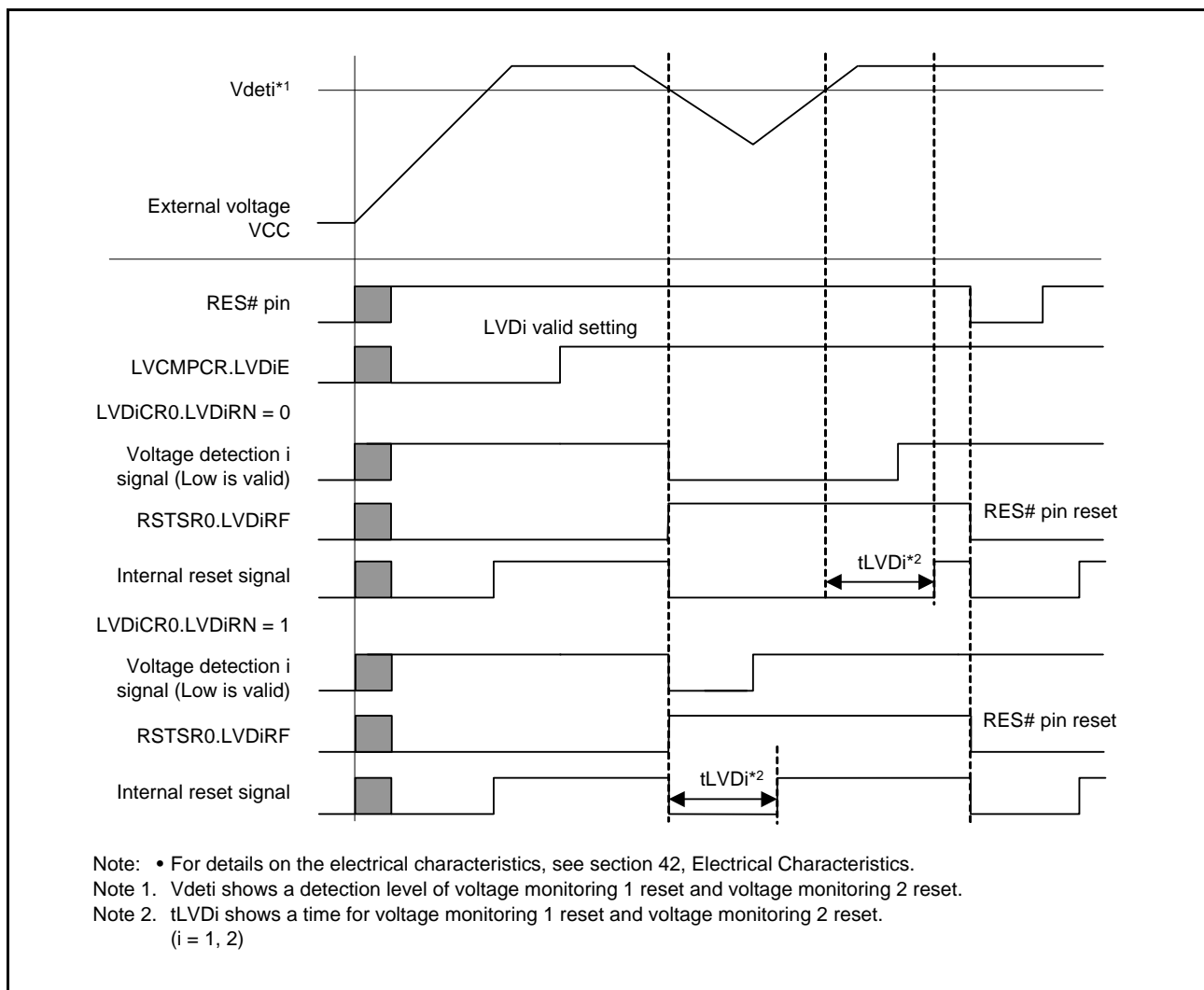


Figure 6.2 Operation Examples During Voltage Monitoring 1 Reset and Voltage Monitoring 2 Reset

6.3.4 Deep Software Standby Reset

This is an internal reset generated when deep software standby mode is canceled by an interrupt.

When a deep software standby mode cancellation source is generated, a deep software standby reset is generated. The deep software standby reset is canceled after t_{DSBY} (return time after deep software standby mode cancellation) has elapsed. At the same time, deep software standby mode is also canceled.

When t_{DSBYWT} (wait time after deep software standby mode cancellation) has elapsed after deep software standby mode has been canceled, the internal reset is canceled and the CPU starts the reset exception handling.

For details of the deep software standby reset, see section 11, Low Power Consumption.

6.3.5 Independent Watchdog Timer Reset

Independent watchdog timer reset is an internal reset generated by the independent watchdog timer.

Output of the independent watchdog timer reset from the independent watchdog timer can be selected by setting the IWDTR reset control register (IWDTRCR) and option function select register 0 (OFS0).

When output of the independent watchdog timer reset is selected, an independent watchdog timer reset is generated if the independent watchdog timer underflows, or if data is written outside the refresh-permitted period. When the internal reset time (t_{RESW2}) has elapsed after the independent watchdog timer reset has been generated, the internal reset is canceled and the CPU starts the reset exception handling.

For details on the independent watchdog timer reset, see section 28, Independent Watchdog Timer (IWDTa).

6.3.6 Watchdog Timer Reset

The watchdog-timer reset is an internal reset from the watchdog timer.

Output of the independent watchdog timer reset from the independent watchdog timer can be selected by setting the WDT reset control register (WDTRCR) and option function select register 0 (OFS0).

When output of the independent watchdog timer reset is selected, a watchdog timer reset is generated if the watchdog timer underflows, or if data is written outside the refresh-permitted period. When the internal reset time (t_{RESW2}) has elapsed after the watchdog timer reset is generated, the internal reset is canceled and the CPU starts the reset exception handling.

For details, see section 27, Watchdog Timer (WDTA).

6.3.7 Software Reset

The software reset is an internal reset generated by the software reset circuit.

When A501h is written to SWRR, a software reset is generated. When the internal reset time (t_{RESW2}) has elapsed after the software reset is generated, the internal reset is canceled and the CPU starts the reset exception handling.

6.3.8 Determination of Cold/Warm Start

By reading the CWSF flag in RSTSR1, the type of reset processing caused can be identified; that is, whether a power-on reset has caused the reset processing (cold start) or a reset signal input during operation has caused the reset processing (warm start).

The CWSF flag in RSTSR1 is set to 0 when a power-on reset occurs (cold start); otherwise the flag is not set to 0. The flag is set to 1 when 1 is written to it through programming; it is not set to 0 even when 0 is written.

Figure 6.3 shows an example of cold/warm start determination operation.

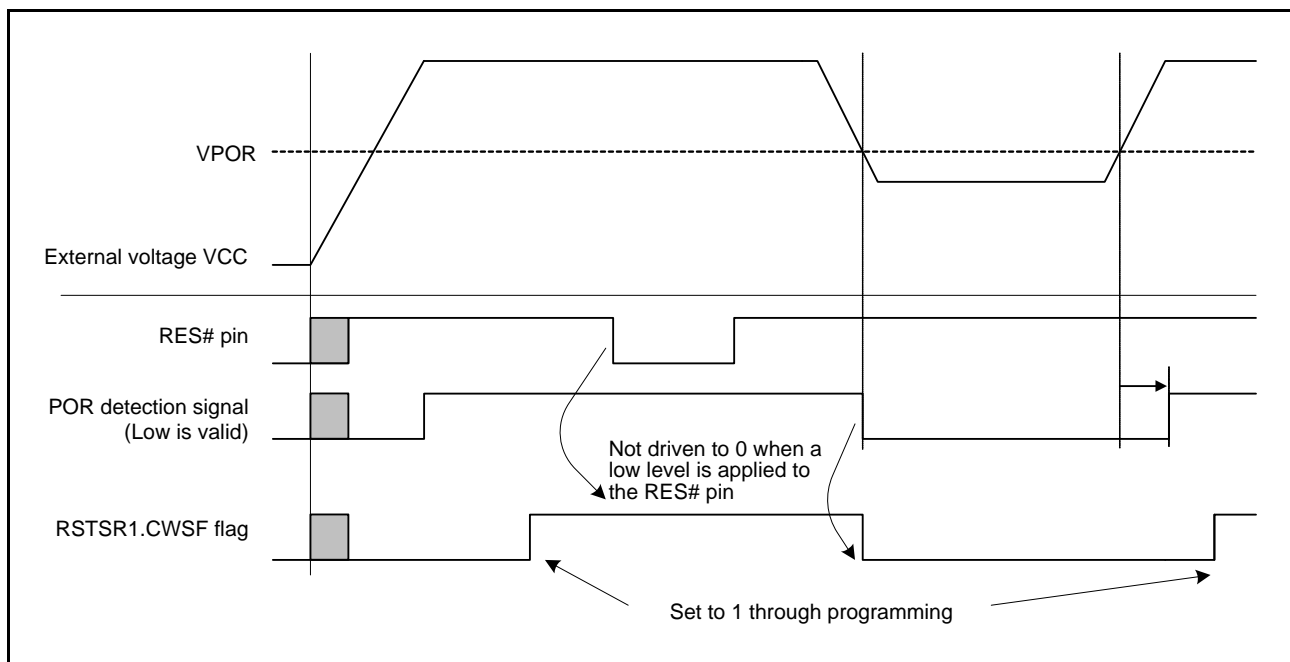


Figure 6.3 Example of Cold/Warm Start Determination Operation

6.3.9 Determination of Reset Generation Source

Reading RSTSR0 and RSTSR2 determines which reset was used to execute the reset exception handling.

Figure 6.4 shows an example of the flow to identify a reset generation source.

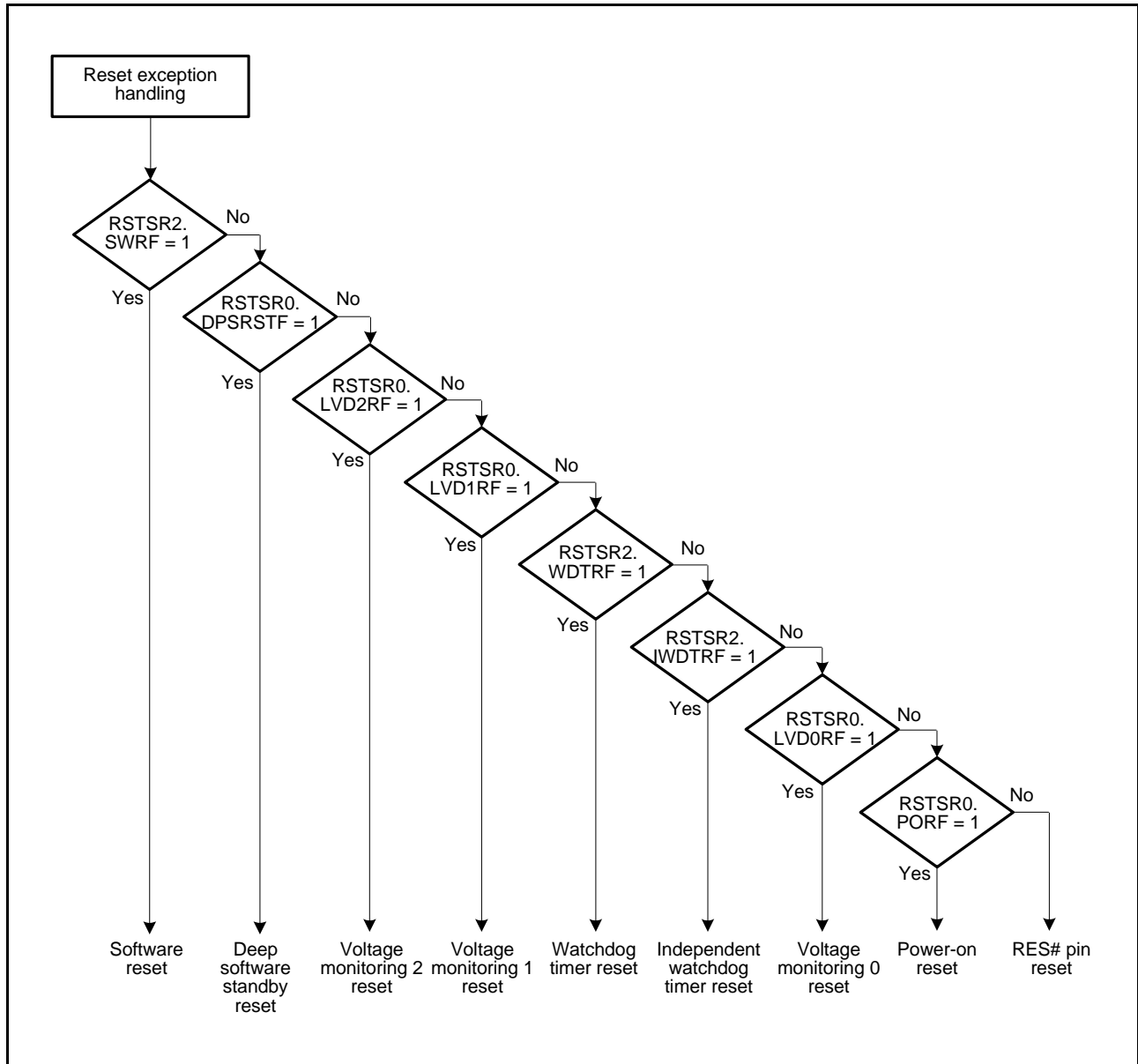


Figure 6.4 Example of Reset Generation Source Determination Flow

7. Option-Setting Memory

7.1 Overview

Option-setting memory refers to a set of registers that are provided for selecting the state of the microcontroller after a reset. The option-setting memory is allocated in the ROM.

Figure 7.1 shows the option-setting memory area.

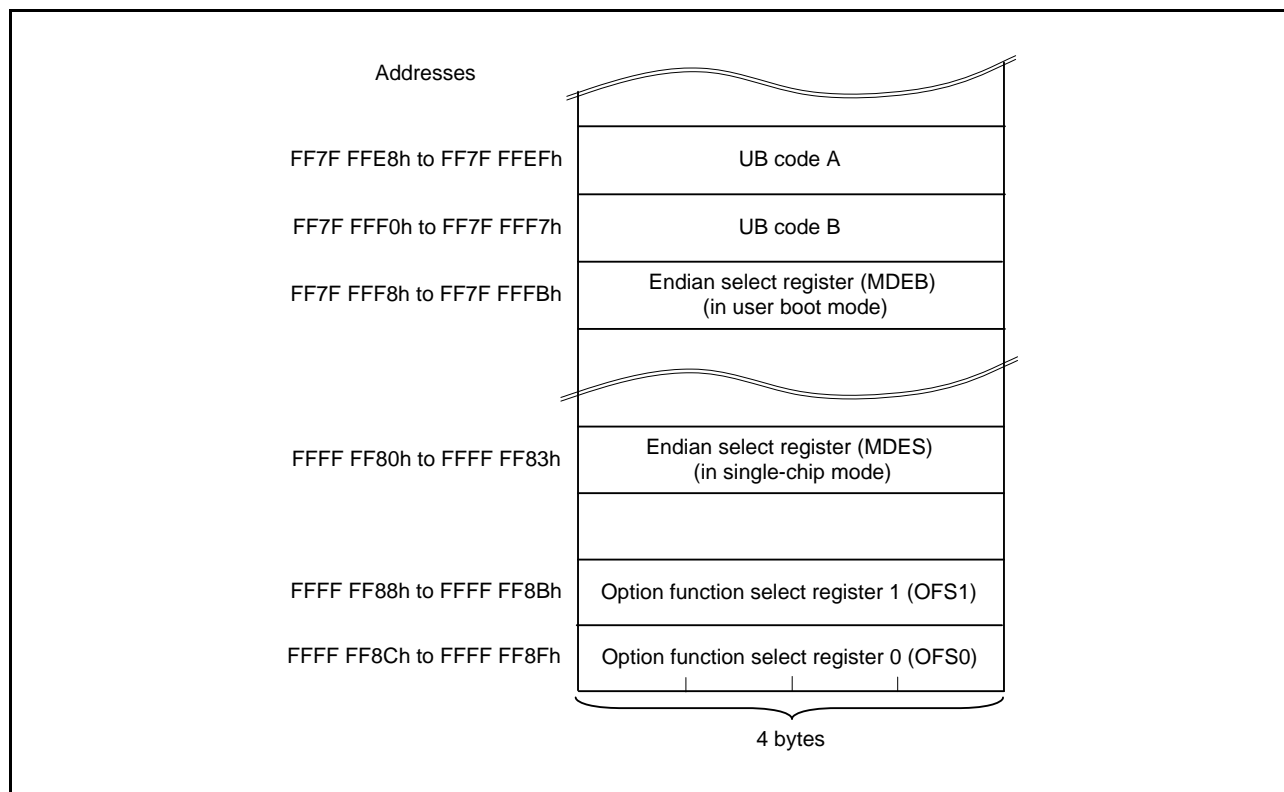


Figure 7.1 Option-Setting Memory Area

7.2 Register Descriptions

7.2.1 Option Function Select Register 0 (OFS0)

Address(es): FFFF FF8Ch

b31	b30	b29	b28	b27	b26	b25	b24	b23	b22	b21	b20	b19	b18	b17	b16
—	—	—	WDTRS TIRQS	WDTRPSS[1:0]	WDTRPES[1:0]	WDTCKS[3:0]			WDTTOPS[1:0]	WDTST RT	—				

Value after reset: The value set by the user*1

b15	b14	b13	b12	b11	b10	b9	b8	b7	b6	b5	b4	b3	b2	b1	b0
—	IWDTS LCSTP	—	IWDTR STIRQS	IWDTRPSS[1:0]	IWDTRPES[1:0]	IWDTCKS[3:0]			IWDTTOPS[1:0]	IWDTS TRT	—				

Value after reset: The value set by the user*1

Note 1. The value of the blank product is FFFF FFFFh. It is set to the written value after written by the user.

Bit	Symbol	Bit Name	Description	R/W
b0	—	Reserved	When reading, this bit returns the value written by the user. The write value should be 1.	R
b1	IWDTSTRT	IWDT Start Mode Select	0: IWDT is automatically activated in auto-start mode after a reset 1: IWDT is halted after a reset	R
b3, b2	IWDTTOPS[1:0]	IWDT Timeout Period Select	b3 b2 0 0: 1024 cycles (03FFh) 0 1: 4096 cycles (0FFFh) 1 0: 8192 cycles (1FFFh) 1 1: 16384 cycles (3FFFh)	R
b7 to b4	IWDTCKS[3:0]	IWDT Clock Frequency Division Ratio Select	b7 b4 0 0 0 0: × 1 (Cycle period: 131 ms) 0 0 1 0: × 1/16 (Cycle period: 2.10 s) 0 0 1 1: × 1/32 (Cycle period: 4.19 s) 0 1 0 0: × 1/64 (Cycle period: 8.39 s) 1 1 1 1: × 1/128 (Cycle period: 16.8 s) 0 1 0 1: × 1/256 (Cycle period: 33.6 s) Settings other than above are prohibited.	R
b9, b8	IWDTRPES[1:0]	IWDT Window End Position Select	b9 b8 0 0: 75% 0 1: 50% 1 0: 25% 1 1: 0% (No window end position setting)	R
b11, b10	IWDTRPSS[1:0]	IWDT Window Start Position Select	b11 b10 0 0: 25% 0 1: 50% 1 0: 75% 1 1: 100% (No window start position setting)	R
b12	IWDTRSTIRQS	IWDT Reset Interrupt Request Select	0: Non-maskable interrupt request is enabled 1: Reset is enabled	R
b13	—	Reserved	When reading, this bit returns to the value written by the user. The write value should be 1.	R
b14	IWDTS LCSTP	IWDT Sleep Mode Count Stop Control	0: Counting stop is disabled 1: Counting stop is enabled when entering sleep, software standby, deep software standby, or all-module clock stop mode	R
b16, b15	—	Reserved	When reading, these bits return the value written by the user. The write value should be 1.	R
b17	WDTSTRT	WDT Start Mode Select	0: WDT is automatically activated in auto-start mode after a reset 1: WDT is stopped after a reset	R

Bit	Symbol	Bit Name	Description	R/W
b19, b18	WDTTOPS[1:0]	WDT Timeout Period Select	b19 b18 0 0: 1024 cycles (03FFh) 0 1: 4096 cycles (0FFFh) 1 0: 8192 cycles (1FFFh) 1 1: 16384 cycles (3FFFh)	R
b23 to b20	WDTCKS[3:0]	WDT Clock Frequency Division Ratio Select	b23 b20 0 0 0 1: PCLK/4 0 1 0 0: PCLK/64 1 1 1 1: PCLK/128 0 1 1 0: PCLK/512 0 1 1 1: PCLK/2048 1 0 0 0: PCLK/8192 Settings other than above are prohibited.	R
b25, b24	WDRPES[1:0]	WDT Window End Position Select	b25 b24 0 0: 75% 0 1: 50% 1 0: 25% 1 1: 0% (No window end position setting)	R
b27, b26	WDRPSS[1:0]	WDT Window Start Position Select	b27 b26 0 0: 25% 0 1: 50% 1 0: 75% 1 1: 100% (No window start position setting)	R
b28	WDRSTIRQS	WDT Reset Interrupt Request Select	0: Non-maskable interrupt request is enabled 1: Reset is enabled	R
b31 to b29	—	Reserved	When reading, these bits return the value written by the user. The write value should be 1.	R

The OFS0 register selects the operations of the independent watchdog timer (IWDT) and watchdog timer (WDT) after a reset.

The OFS0 register is allocated in the ROM. Set this register at the same time as writing the program. After writing to the OFS0 register once, do not write to it again.

When erasing the block including the OFS0 register, the OFS0 register value becomes FFFF FFFFh.

The setting in the OFS0 register is ineffective in user boot mode, and the value becomes FFFF FFFFh.

IWDTSTRT Bit (IWDT Start Mode Select)

This bit selects the mode in which the IWDT is activated after a reset (stopped state or activated in auto-start mode).

When activated in auto-start mode, the OFS0 register setting for the IWDT is effective.

IWDTTOPS[1:0] Bits (IWDT Timeout Period Select)

These bits select the timeout period, i.e. the time it takes for the down-counter to underflow, as 1024, 4096, 8192, or 16384 cycles of the frequency-divided clock set by the IWDTCKS[3:0] bits. The time (number of IWDT-dedicated clock cycles) it takes to underflow after a refresh operation is determined by the combination of the IWDTCKS[3:0] bits and IWDTTOPS[1:0] bits.

For details, see section 28, Independent Watchdog Timer (IWDTa).

IWDTCKS[3:0] Bits (IWDT Clock Frequency Division Ratio Select)

These bits select, from 1/1, 1/16, 1/32, 1/64, 1/128, and 1/256, the division ratio of the prescaler to divide the frequency of the IWDT-dedicated clock. Using the setting of these bits together with the IWDTTOPS[1:0] bit setting, the IWDT counting period can be set from 1024 to 4194304 IWDT-dedicated clock cycles.

For details, see section 28, Independent Watchdog Timer (IWDTa).

IWDTRPES[1:0] Bits (IWDT Window End Position Select)

These bits select the position of the end of the window for the down-counter as 0%, 25%, 50%, or 75% of the value being counted by the counter. The value of the window end position must be smaller than the value of the window start position (window start position > window end position). If the value for the window end position is greater than the value for the window start position, only the value for the window start position is effective.

The counter values corresponding to the settings for the start and end positions of the window in the IWDTRPSS[1:0] and IWDTRPES[1:0] bits vary with the setting of the IWDTTOPS[1:0] bits.

For details, refer to section 28, Independent Watchdog Timer (IWDTa).

IWDTRPSS[1:0] Bits (IWDT Window Start Position Select)

These bits select the position where the window for the down-counter starts as 25%, 50%, 75%, or 100% of the value being counted (the point at which counting starts is 100% and the point at which an underflow occurs is 0%). The interval between the positions where the window starts and ends becomes the period in which refreshing is possible, and refreshing is not possible outside this period.

For details, refer to section 28, Independent Watchdog Timer (IWDTa).

IWDTRSTIRQS Bit (IWDT Reset Interrupt Request Select)

The setting of this bit selects the operation on an underflow of the down-counter or generation of a refresh error. Either an independent watchdog timer reset or a non-maskable interrupt request is selectable.

For details, refer to section 28, Independent Watchdog Timer (IWDTa).

IWDTSLCSTP Bit (IWDT Sleep Mode Count Stop Control)

This bit selects to stop counting when entering sleep, software standby, deep software standby, or all-module clock stop mode.

For details, see section 28, Independent Watchdog Timer (IWDTa).

WDTSTRT Bit (WDT Start Mode Select)

This bit selects the mode in which the WDT is activated after a reset (stopped state or activated in auto-start mode). When activated in auto-start mode, the OFS0 register setting for the WDT is effective.

WDTTOPS[1:0] Bits (WDT Timeout Period Select)

These bits select the timeout period, i.e. the time it takes for the down-counter to underflow, as 1024, 4096, 8192, or 16384 cycles of the frequency-divided clock set by the WDTCKS[3:0] bits. The time (number of PCLK cycles) it takes to underflow after a refresh operation is determined by a combination of the WDTCKS[3:0] bits and WDTTOPS[1:0] bits.

For details, see section 27, Watchdog Timer (WDTA).

WDTCKS[3:0] Bits (WDT Clock Frequency Division Ratio Select)

These bits select, from 1/4, 1/64, 1/128, 1/512, 1/2048, and 1/8192, the division ratio of the prescaler to divide the frequency of PCLK. Using the setting of these bits together with the WDTTOPS[1:0] bit setting, the WDT counting period can be set from 4096 to 134217728 PCLK cycles.

For details, see section 27, Watchdog Timer (WDTA).

WDRPES[1:0] Bits (WDT Window End Position Select)

These bits select the position of the end of the window on the down-counter as 0%, 25%, 50%, or 75% of the value being counted by the counter. The value of the window end position must be smaller than the value of the window start position (window start position > window end position). If the value for the window end position is greater than the value for the window start position, only the value for the window start position is effective.

The counter values corresponding to the settings for the start and end positions of the window in the WDRPSS[1:0] and

WDTRPES[1:0] bits vary with the setting of the WDTTOPS[1:0] bits.

For details, refer to section 27, Watchdog Timer (WDTA).

WDTRPSS[1:0] Bits (WDT Window Start Position Select)

These bits select the position where the window for the down-counter starts as 25%, 50%, 75%, or 100% of the value being counted (the point at which counting starts is 100% and the point at which an underflow occurs is 0%). The interval between the positions where the window starts and ends becomes the period in which refreshing is possible, and refreshing is not possible outside this period.

For details, refer to section 27, Watchdog Timer (WDTA).

WDTRSTIRQS[1:0] Bits (WDT Reset Interrupt Request Select)

The setting of this bit selects the operation on an underflow of the down-counter or generation of a refresh error. Either a watchdog timer reset or a non-maskable interrupt request is selectable.

For details, refer to section 27, Watchdog Timer (WDTA).

7.2.2 Option Function Select Register 1 (OFS1)

Address(es): FFFF FF88h

b31	b30	b29	b28	b27	b26	b25	b24	b23	b22	b21	b20	b19	b18	b17	b16
—	—	—	—	—	—	—	—	—	—	—	—	—	—	—	—

Value after reset: The value set by the user*1

b15	b14	b13	b12	b11	b10	b9	b8	b7	b6	b5	b4	b3	b2	b1	b0
—	—	—	—	—	—	—	HOCO EN	—	—	—	—	—	LVDAS	VDSEL[1:0]	—

Value after reset: The value set by the user*1

Note 1. The value of the blank product is FFFF FFFFh. It is set to the written value after written by the user.

Bit	Symbol	Bit Name	Description	R/W
b1, b0	VDSEL[1:0]	Voltage Detection 0 Level Select	b1 b0 0 0: 3.80 V is selected 0 1: 2.80 V is selected 1 0: 1.90 V is selected 1 1: 1.72 V is selected	R
b2	LVDAS	Voltage Detection 0 Circuit Start	0: Voltage monitoring 0 reset is enabled after a reset 1: Voltage monitoring 0 reset is disabled after a reset	R
b7 to b3	—	Reserved	When reading, these bits return the value written by the user. The write value should be 1.	R
b8	HOCOEN	HOCO Oscillation Enable	0: HOCO oscillation is enabled after a reset 1: HOCO oscillation is disabled after a reset	R
b31 to b9	—	Reserved	When reading, these bits return the value written by the user. The write value should be 1.	R

The OFS1 register is allocated in the ROM. Set this register at the same time as writing the program. After writing, do not write additions to this register.

When erasing the block including the OFS1 register, the setting in the OFS1 register is ineffective, and the OFS1 register value becomes FFFF FFFFh.

The setting in the OFS1 register is ineffective in user boot mode, and the value becomes FFFF FFFFh.

VDSEL[1:0] Bits (Voltage Detection 0 Level Select)

These bits select the voltage detection level to be monitored by the voltage detection 0 circuit.

LVDAS Bit (Voltage Detection 0 Circuit Start)

This bit selects whether the voltage monitoring 0 reset is enabled or disabled after a reset.

The Vdet0 voltage to be monitored by the voltage detection 0 circuit is selected by the VDSEL[1:0] bits.

HOCOEN Bit (HOCO Oscillation Enable)

This bit selects whether the HOCO oscillation enable bit is effective or not after a reset.

Setting the HOCOEN bit to 0 allows the HOCO oscillation to be started before the CPU starts operation, and therefore reduces the wait time for oscillation stabilization.

Note that even if the HOCOEN bit is set to 0, the system clock source is not switched to HOCO. The system clock source is switched to HOCO only by modifying the clock source select bits (SCKCR3.CKSEL[2:0]) from the CPU.

7.2.3 Endian Select Register B (MDEB), Endian Select Register S (MDES)

Address(es): FF7F FFF8h: MDEB (in user boot mode)
 FFFF FF80h: MDES (in single-chip mode)

b31	b30	b29	b28	b27	b26	b25	b24	b23	b22	b21	b20	b19	b18	b17	b16
—	—	—	—	—	—	—	—	—	—	—	—	—	—	—	—

Value after reset: The value set by the user*¹

b15	b14	b13	b12	b11	b10	b9	b8	b7	b6	b5	b4	b3	b2	b1	b0
—	—	—	—	—	—	—	—	—	—	—	—	—	—	MDE[2:0]	—

Value after reset: The value set by the user*¹

Note 1. The value of the blank product is FFFF FFFFh. It is set to the written value after written by the user.

Bit	Symbol	Bit Name	Description	R/W
b2 to b0	MDE[2:0]	Endian Select	b2 b0 0 0 0: Big endian 1 1 1: Little endian Settings other than above are prohibited.	R
b31 to b3	—	Reserved	When reading, these bits return the value written by the user. The write value should be 1.	R

The MDEN (n = B, S) register selects the endian for the CPU. In user boot mode, the endian select register B (MDEB) at address FF7F FFF8h is used to select the endian. In single-ship mode, the endian select register S (MDES) at address FFFF FF80h is used.

MDEN is allocated in the ROM. Set the register at the same time as writing the program. After writing to the register once, do not write to it again.

When erasing the block including the MDEN register, the MDEN register value becomes FFFF FFFFh.

MDE[2:0] Bits (Endian Select)

These bits select little endian or big endian for the CPU.

The endian is determined by the value at address FF7F FFF8h in the user boot area when operating in user boot mode, and by the value at address FFFF FF80h in the user area when operating in single-chip mode.

7.3 UB Code

UB codes A and B are required if user boot mode is to be employed. The MCU will start up in user boot mode on release from the reset state if the four conditions below are satisfied.

- UB code A is 55736572h and 426F6F74h.
- UB code B is FFFFFFF07h and 0008C04Ch.
- The low level is being input on the MD pin.
- The high level is being input on the PC7 pin.

7.3.1 UB code A

UB code A consists of two 32-bit words. Set UB code A to 55736572h and 426F6F74h. Do not set other values for the code.

Figure 7.2 shows the configuration of UB code A. Set UB code A in 32-bit units.

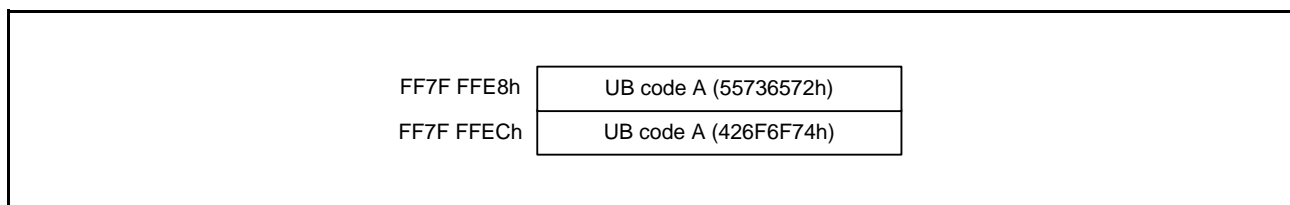


Figure 7.2 UB Code A Configuration

7.3.2 UB Code B

UB code B consists of two 32-bit words. Set UB code B to FFFFFFF07h and 0008C04Ch. Do not set other values for the code.

Figure 7.3 shows the configuration of UB code B. Set UB code B in 32-bit units.

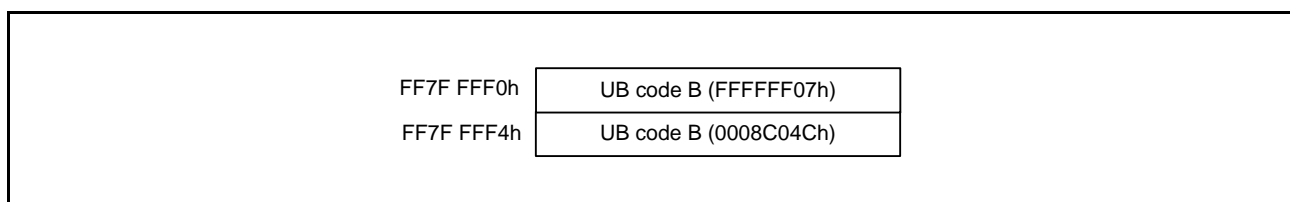


Figure 7.3 UB Code B Configuration

7.4 Usage Note

7.4.1 Setting Example of Option-Setting Memory

Since the option-setting memory is allocated in the ROM, values cannot be written by executing instructions. Write appropriate values when writing the program. An example of the settings is shown below.

- To set ffff fff8h in the OFS0 register


```
.org 0fff ff8h
.lword 0fffffff8h
```

Note: • Programming formats vary depending on the compiler. Refer to the compiler manual for details.

8. Voltage Detection Circuit (LVDAa)

The voltage detection circuit (LVD) monitors the voltage level input to the VCC pin using a program.

8.1 Overview

In voltage detection 0, the detection voltage can be selected from four levels by using option function select register 1 (OFS1).

In voltage detection 1 and voltage detection 2, the detection voltage can be selected from sixteen levels using the voltage detection level select register (LVDLVLR).

Voltage detection 2 can be switched between input voltages to VCC and the CMPA2 pin.

Reset of voltage monitoring 0, reset/interrupt of voltage monitoring 1, and reset/interrupt of voltage monitoring 2 can be used.

However, voltage monitoring 1 and comparator A1 cannot be used at the same time because they share the voltage detection circuit. Similarly, voltage monitoring 2 and comparator A2 cannot be used at the same time because they share the voltage detection circuit.

Table 8.1 lists the specifications of the voltage detection circuit. Figure 8.1 is a block diagram of the voltage detection circuit. Figure 8.2 is a block diagram of the voltage monitoring 1 interrupt/reset circuit. Figure 8.3 is a block diagram of the voltage monitoring 2 interrupt/reset circuit.

Table 8.1 Voltage Detection Circuit Specifications (1/2)

Item		Voltage Monitoring 0	Voltage Monitoring 1	Voltage Monitoring 2
VCC monitoring	Monitored voltage	Vdet0	Vdet1	Vdet2
	Detected event	Voltage drops past Vdet0	Voltage rises or drops past Vdet1	Voltage rises or drops past Vdet2
	Detection voltage	Voltage selectable from four levels using OFS1	Voltage selectable from 16 levels using LVDLVLR.LVD1LVL[3:0] bits	Varies according to whether VCC or the CMPA2 pin is selected. Voltage selectable from 16 levels using LVDLVLR.LVD2LVL[3:0] bits
	Monitoring flag	None	LVD1SR.LVD1MON flag: Monitors whether voltage is higher or lower than Vdet1 LVD1SR.LVD1DET flag: Vdet1 passage detection	LVD2SR.LVD2MON flag: Monitors whether voltage is higher or lower than Vdet2 LVD2SR.LVD2DET flag: Vdet2 passage detection
Process upon voltage detection	Reset	Voltage monitoring 0 reset Reset when Vdet0 > VCC CPU restart after specified time with VCC > Vdet0	Voltage monitoring 1 reset Reset when Vdet1 > VCC CPU restart timing selectable: after specified time with VCC > Vdet1 or Vdet1 > VCC	Voltage monitoring 2 reset Reset when Vdet2 > VCC CPU restart timing selectable: after specified time with VCC > Vdet2 or Vdet2 > VCC
	Interrupt	None	Voltage monitoring 1 interrupt Non-maskable or maskable interrupt is selectable Interrupt request issued when Vdet1 > VCC and VCC > Vdet1 or either	Voltage monitoring 2 interrupt Non-maskable or maskable interrupt is selectable Interrupt request issued when Vdet2 > VCC and VCC > Vdet2 or either
Digital filter	Enable/Disable switching	Digital filter function not available	Available	Available
	Sampling time	—	1/n LOCO frequency × 2 (n: 1, 2, 4, 8)	1/n LOCO frequency × 2 (n: 1, 2, 4, 8)

Table 8.1 Voltage Detection Circuit Specifications (2/2)

Item	Voltage Monitoring 0	Voltage Monitoring 1	Voltage Monitoring 2
Event link function	None	Available Vdet1 passage detection event output	Available Vdet2 passage detection event output

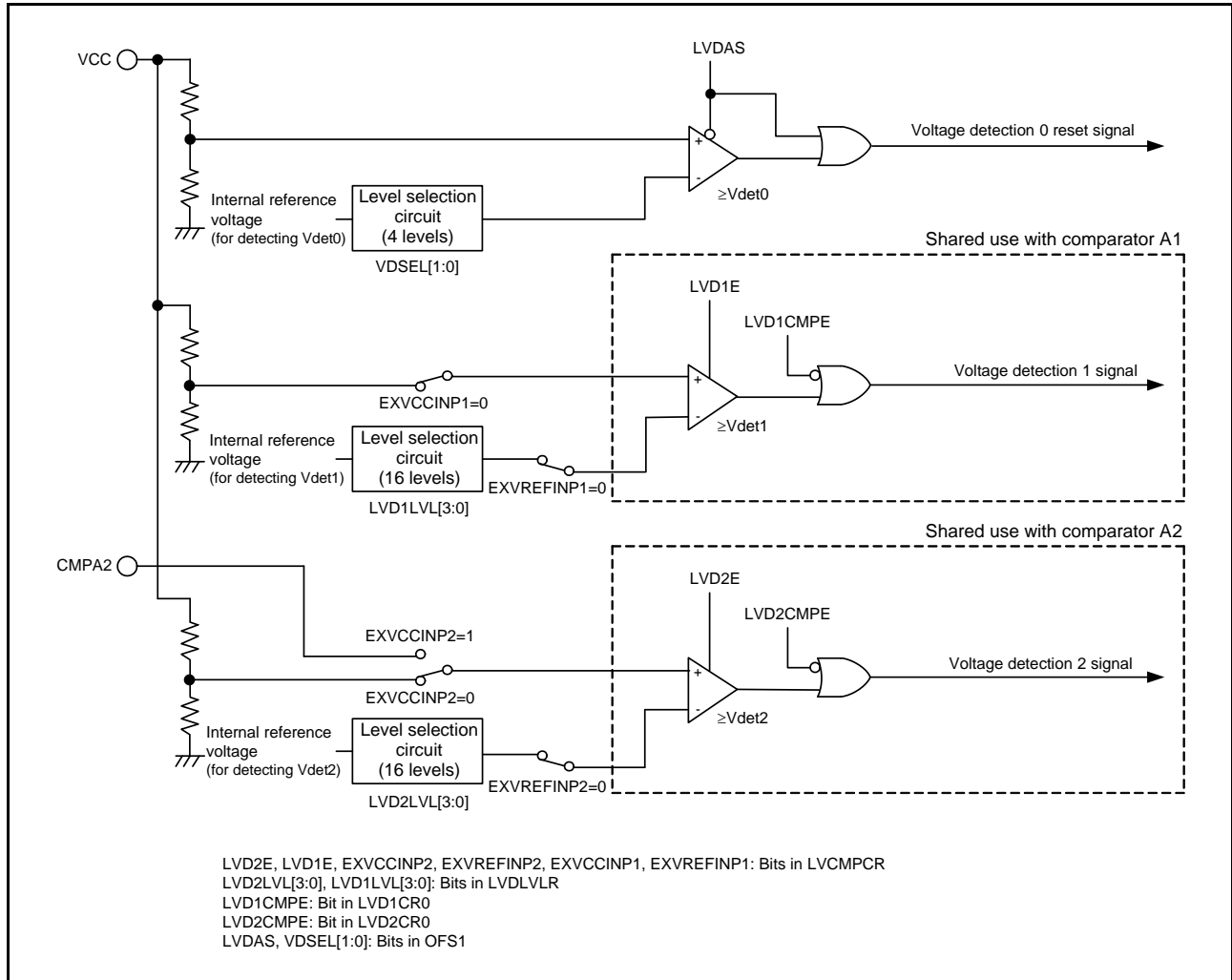


Figure 8.1 Block Diagram of Voltage Detection Circuit

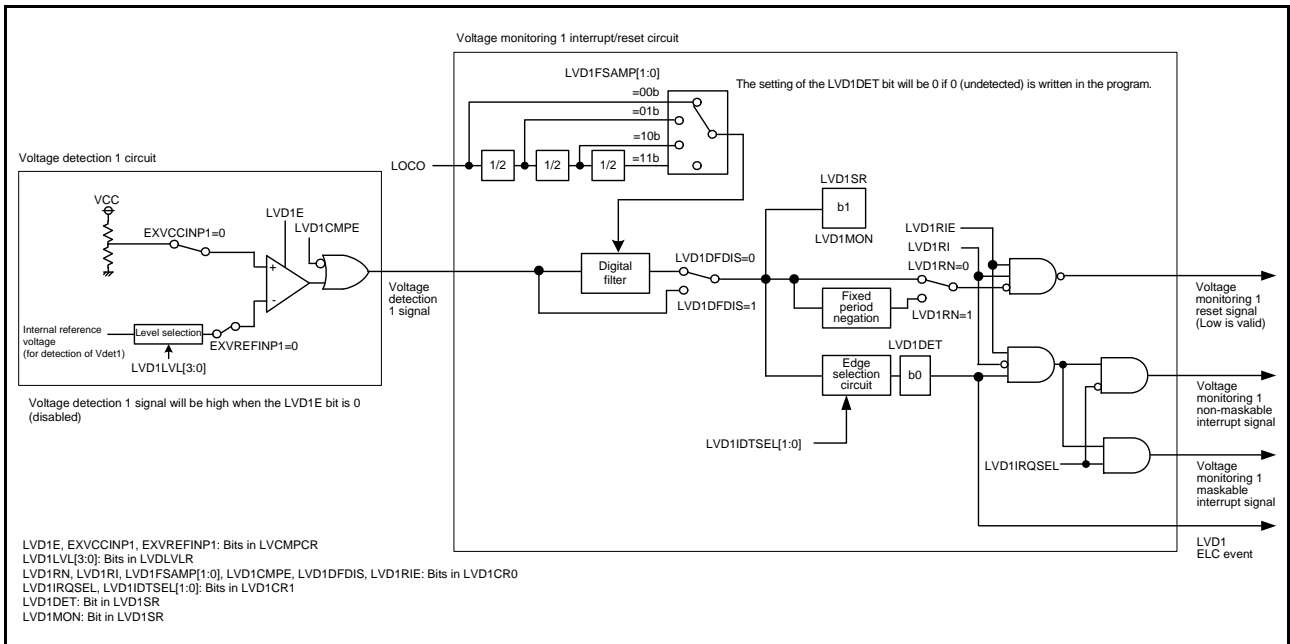


Figure 8.2 Block Diagram of Voltage Monitoring 1 Interrupt/Reset Circuit

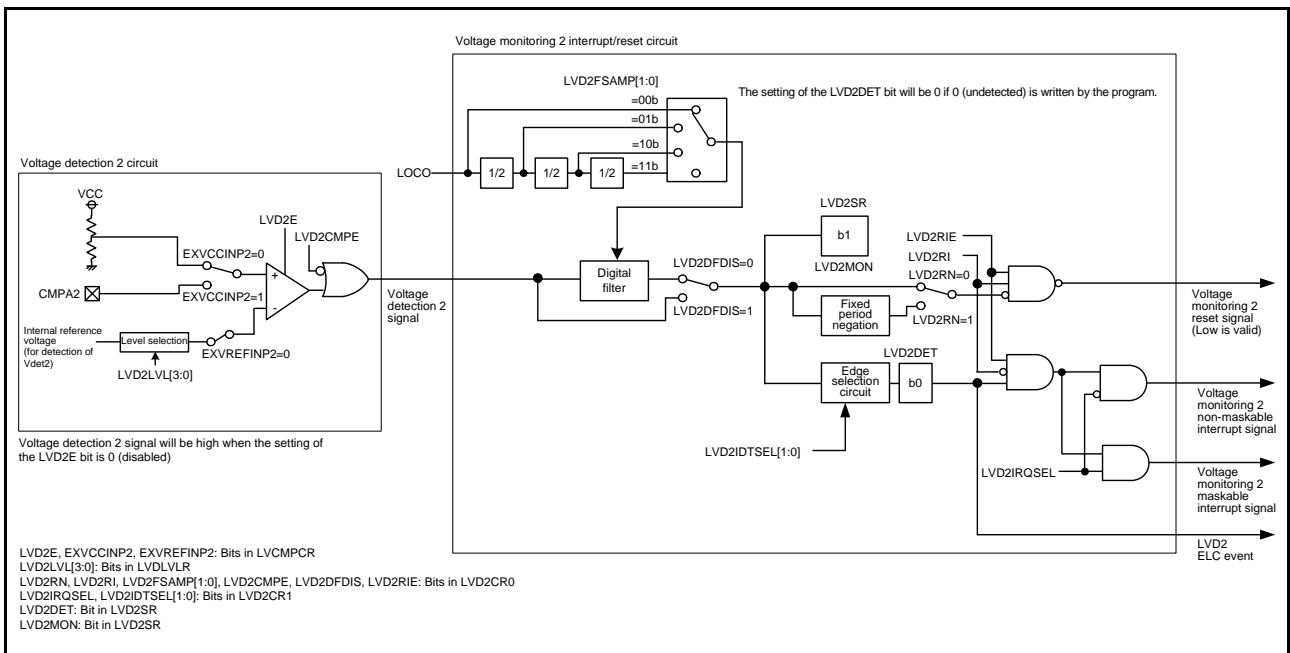


Figure 8.3 Block Diagram of Voltage Monitoring 2 Interrupt/Reset Circuit

Table 8.2 lists the input/output pins relevant to the voltage detection circuit.

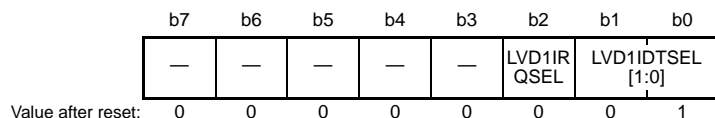
Table 8.2 Input/Output Pins of the Voltage Detection Circuit

Pin name	Pin name	Function
COMP2	Input	Detection target voltage pin for voltage detection 2

8.2 Register Descriptions

8.2.1 Voltage Monitoring 1 Circuit/Comparator A1 Control Register 1 (LVD1CR1)

Address(es): 0008 00E0h



Bit	Symbol	Bit Name	Description	R/W
b1, b0	LVD1IDTSEL [1:0]	Voltage Monitoring 1/Comparator A1 Interrupt/ELC Event Generation Condition Select	b1 b0 0 0: When VCC ≥ Vdet1 (rise) is detected 0 1: When VCC < Vdet1 (drop) is detected 1 0: When drop and rise are detected 1 1: Do not set	R/W
b2	LVD1IRQSEL	Voltage Monitoring 1/Comparator A1 Interrupt Type Select	0: Non-maskable interrupt 1: Maskable interrupt	R/W
b7 to b3	—	Reserved	These bits are read as 0. The write value should be 0.	R/W

Note: • Set the PRCR.PRC3 bit to 1 (write enabled) before rewriting this register.

8.2.2 Voltage Monitoring 1 Circuit/Comparator A1 Status Register (LVD1SR)

Address(es): 0008 00E1h

b7	b6	b5	b4	b3	b2	b1	b0
—	—	—	—	—	—	LVD1M ON	LVD1D ET

Value after reset: 0 0 0 0 0 0 1 0

Bit	Symbol	Bit Name	Description	R/W
b0	LVD1DET	Voltage Monitoring 1/Comparator A1 Voltage Change Detection Flag	0: Not detected 1: Vdet1 passage detection	R/(W) *1
b1	LVD1MON	Voltage Monitoring 1/Comparator A1 Signal Monitor Flag	0: VCC < Vdet1 1: VCC ≥ Vdet1 or LVD1MON is disabled	R
b7 to b2	—	Reserved	These bits are read as 0. The write value should be 0.	R/W

Note: • Set the PRCR.PRC3 bit to 1 (write enabled) before rewriting this register.

Note 1. Only 0 can be written to this bit. After writing 0 to this bit, it takes 2 system clock cycles for the bit to be read as 0.

LVD1DET Flag (Voltage Monitoring 1/Comparator A1 Voltage Change Detection Flag)

The LVD1DET flag is enabled when the LVCMPCR.LVD1E bit is 1 (voltage detection 1 circuit enabled) and the LVD1CR0.LVD1CMPE bit is 1 (voltage monitoring 1 circuit comparison result output enabled).

The LVD1DET flag should be set to 0 after LVD1CR0.LVD1RIE is set to 0 (disabled). LVD1CR0.LVD1RIE can be set to 1 (enabled) again after a period of PCLKB2 cycle or more has elapsed.

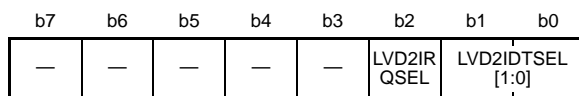
Depending on the number of cycles of PCLKB defined for access to read an I/O register, more cycles than PCLKB2 may have to be secured as wait time.

LVD1MON Flag (Voltage Monitoring 1/Comparator A1 Signal Monitor Flag)

The LVD1MON flag is enabled when the LVCMPCR.LVD1E bit is 1 (voltage detection 1 circuit enabled) and the LVD1CR0.LVD1CMPE bit is 1 (voltage monitoring 1 circuit comparison result output enabled).

8.2.3 Voltage Monitoring 2 Circuit/Comparator A2 Control Register 1 (LVD2CR1)

Address(es): 0008 00E2h



Value after reset: 0 0 0 0 0 0 0 1

Bit	Symbol	Bit Name	Description	R/W
b1, b0	LVD2IDTSEL [1:0]	Voltage Monitoring 2/Comparator A2 Interrupt/ELC Event Generation Condition Select	b1 b0 0 0: When VCC \geq Vdet2 (rise) is detected 0 1: When VCC < Vdet2 (drop) is detected 1 0: When drop and rise are detected 1 1: Do not set	R/W
b2	LVD2IRQSEL	Voltage Monitoring 2/Comparator A2 Interrupt Type Select	0: Non-maskable interrupt 1: Maskable interrupt	R/W
b7 to b3	—	Reserved	These bits are read as 0. The write value should be 0.	R/W

Note: • Set the PRCR.PRC3 bit to 1 (write enabled) before rewriting this register.

8.2.4 Voltage Monitoring 2 Circuit/Comparator A2 Status Register (LVD2SR)

Address(es): 0008 00E3h

	b7	b6	b5	b4	b3	b2	b1	b0
	—	—	—	—	—	—	LVD2M ON	LVD2D ET
Value after reset:	0	0	0	0	0	0	1	0

Bit	Symbol	Bit Name	Description	R/W
b0	LVD2DET	Voltage Monitoring 2/Comparator A2 Voltage Change Detection Flag	0: Not detected 1: Vdet2 passage detection	R/(W) *1
b1	LVD2MON	Voltage Monitoring 2/Comparator A2 Signal Monitor Flag	0: VCC < Vdet2 1: VCC ≥ Vdet2 or LVD2MON is disabled	R
b7 to b2	—	Reserved	These bits are read as 0. The write value should be 0.	R/W

Note: • Set the PRCR.PRC3 bit to 1 (write enabled) before rewriting this register.

Note 1. Only 0 can be written to this bit. After writing 0 to this bit, it takes 2 system clock cycles for the bit to be read as 0.

LVD2DET Flag (Voltage Monitoring 2/Comparator A2 Voltage Change Detection Flag)

The LVD2DET flag is enabled when the LVCMPCR.LVD2E bit is 1 (voltage detection 2 circuit enabled) and the LVD2CR0.LVD2CMPE bit is 1 (voltage monitoring 2 circuit comparison result output enabled).

The LVD2DET flag should be set to 0 after LVD2CR0.LVD2RIE is set to 0 (disabled). LVD2CR0.LVD2RIE can be set to 1 (enabled) again after a period of PCLKB2 cycle or more has elapsed.

Depending on the number of cycles of PCLKB defined for access to read an I/O register, two or more cycles of PCLKB may have to be secured as wait time.

LVD2MON Flag (Voltage Monitoring 2/Comparator A2 Signal Monitor Flag)

The LVD2MON flag is enabled when the LVCMPCR.LVD2E bit is 1 (voltage detection 2 circuit enabled) and the LVD2CR0.LVD2CMPE bit is 1 (voltage monitoring 2 circuit comparison result output enabled).

8.2.5 Voltage Monitoring Circuit/Comparator A Control Register (LVCMPCR)

Address(es): 0008 C297h

b7	b6	b5	b4	b3	b2	b1	b0
—	LVD2E	LVD1E	—	EXVCC INP2	EXVRE FINP2	EXVCC INP1	EXVRE FINP1

Value after reset: 0 0 0 0 0 0 0 0

Bit	Symbol	Bit Name	Description	R/W
b0	EXVREFINP1	Comparator A1 Reference Voltage External Input Select	0: Internal reference voltage Must be set to 0 when the device is to be used for an LVD.	R/W
b1	EXVCCINP1	Comparator A1 Comparison Voltage External Input Select	0: Power supply voltage (VCC) Must be set to 0 when the device is to be used for an LVD.	R/W
b2	EXVREFINP2	Comparator A2 Reference Voltage External Input Select	0: Internal reference voltage Must be set to 0 when the device is to be used for an LVD.	R/W
b3	EXVCCINP2	Comparator A2 Comparison Voltage External Input Select	0: Source voltage (VCC) 1: CMPA2 pin input voltage*1	R/W
b4	—	Reserved	This bit is read as 0. The write value should be 0.	R/W
b5	LVD1E	Voltage Detection 1/Comparator A1 Enable	0: Voltage detection 1/comparator A1 circuit disabled 1: Voltage detection 1/comparator A1 circuit enabled	R/W
b6	LVD2E	Voltage Detection 2/Comparator A2 Enable	0: Voltage detection 2/comparator A2 circuit disabled 1: Voltage detection 2/comparator A2 circuit enabled	R/W
b7	—	Reserved	This bit is read as 0. The write value should be 0.	R/W

Note: • Set the PRCR.PRC3 bit to 1 (write enabled) before rewriting this register.

Note 1. The LVDLVLR.LVD2LVL[3:0] bits must be set to 0001b when the EXVCCINP2 bit is to be set to 1 (CMPA2 pin input voltage).

LVD1E Bit (Voltage Detection 1/Comparator A1 Enable)

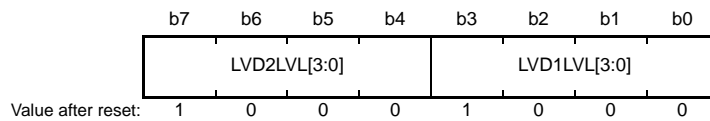
When using voltage detection 1/comparator A1 interrupt/reset or the LVD1SR.LVD1MON flag, set the LVD1E bit to 1. The voltage detection 1/comparator A1 circuit starts once $t_d(E-A)$ passes after the LVD1E bit value is changed from 0 to 1. When using the voltage detection 1/comparator A1 circuit in deep software standby mode, do not set the DPSBYCR.DEEPCUT1 bit to 1.

LVD2E Bit (Voltage Detection 2/Comparator A2 Enable)

When using voltage detection 2/comparator A2 interrupt/reset or the LVD2SR.LVD2MON flag, set the LVD2E bit to 1. The voltage detection 2/comparator A2 circuit starts once $t_d(E-A)$ passes after the LVD2E bit value is changed from 0 to 1. When using the voltage detection 2/comparator A2 circuit in deep software standby mode, do not set the DPSBYCR.DEEPCUT1 bit to 1.

8.2.6 Voltage Detection Level Select Register (LVDLVLR)

Address(es): 0008 C298h



Bit	Symbol	Bit Name	Description	R/W																																																									
b3 to b0	LVD1LVL[3:0]	Voltage Detection 1 Level Select (Standard voltage during drop in voltage)	<table border="0"> <tr> <td>b3</td> <td>b0</td> <td></td> </tr> <tr> <td>0 0 0 0</td> <td></td> <td>4.15 V</td> </tr> <tr> <td>0 0 0 1</td> <td></td> <td>4.00 V</td> </tr> <tr> <td>0 0 1 0</td> <td></td> <td>3.85 V</td> </tr> <tr> <td>0 0 1 1</td> <td></td> <td>3.70 V</td> </tr> <tr> <td>0 1 0 0</td> <td></td> <td>3.55 V</td> </tr> <tr> <td>0 1 0 1</td> <td></td> <td>3.40 V</td> </tr> <tr> <td>0 1 1 0</td> <td></td> <td>3.25 V</td> </tr> <tr> <td>0 1 1 1</td> <td></td> <td>3.10 V</td> </tr> <tr> <td>1 0 0 0</td> <td></td> <td>2.95 V</td> </tr> <tr> <td>1 0 0 1</td> <td></td> <td>2.80 V</td> </tr> <tr> <td>1 0 1 0</td> <td></td> <td>2.65 V</td> </tr> <tr> <td>1 0 1 1</td> <td></td> <td>2.50 V</td> </tr> <tr> <td>1 1 0 0</td> <td></td> <td>2.35 V</td> </tr> <tr> <td>1 1 0 1</td> <td></td> <td>2.20 V</td> </tr> <tr> <td>1 1 1 0</td> <td></td> <td>2.05 V</td> </tr> <tr> <td>1 1 1 1</td> <td></td> <td>1.90 V</td> </tr> </table>	b3	b0		0 0 0 0		4.15 V	0 0 0 1		4.00 V	0 0 1 0		3.85 V	0 0 1 1		3.70 V	0 1 0 0		3.55 V	0 1 0 1		3.40 V	0 1 1 0		3.25 V	0 1 1 1		3.10 V	1 0 0 0		2.95 V	1 0 0 1		2.80 V	1 0 1 0		2.65 V	1 0 1 1		2.50 V	1 1 0 0		2.35 V	1 1 0 1		2.20 V	1 1 1 0		2.05 V	1 1 1 1		1.90 V	R/W						
b3	b0																																																												
0 0 0 0		4.15 V																																																											
0 0 0 1		4.00 V																																																											
0 0 1 0		3.85 V																																																											
0 0 1 1		3.70 V																																																											
0 1 0 0		3.55 V																																																											
0 1 0 1		3.40 V																																																											
0 1 1 0		3.25 V																																																											
0 1 1 1		3.10 V																																																											
1 0 0 0		2.95 V																																																											
1 0 0 1		2.80 V																																																											
1 0 1 0		2.65 V																																																											
1 0 1 1		2.50 V																																																											
1 1 0 0		2.35 V																																																											
1 1 0 1		2.20 V																																																											
1 1 1 0		2.05 V																																																											
1 1 1 1		1.90 V																																																											
b7 to b4	LVD2LVL[3:0]	Voltage Detection 2 Level Select (Standard voltage during drop in voltage)	<p>(When LVCMPCR.EXVCCINP2 = 0 (VCC select))</p> <table border="0"> <tr> <td>b7</td> <td>b4</td> <td></td> </tr> <tr> <td>0 0 0 0</td> <td></td> <td>4.15 V</td> </tr> <tr> <td>0 0 0 1</td> <td></td> <td>4.00 V</td> </tr> <tr> <td>0 0 1 0</td> <td></td> <td>3.85 V</td> </tr> <tr> <td>0 0 1 1</td> <td></td> <td>3.70 V</td> </tr> <tr> <td>0 1 0 0</td> <td></td> <td>3.55 V</td> </tr> <tr> <td>0 1 0 1</td> <td></td> <td>3.40 V</td> </tr> <tr> <td>0 1 1 0</td> <td></td> <td>3.25 V</td> </tr> <tr> <td>0 1 1 1</td> <td></td> <td>3.10 V</td> </tr> <tr> <td>1 0 0 0</td> <td></td> <td>2.95 V</td> </tr> <tr> <td>1 0 0 1</td> <td></td> <td>2.80 V</td> </tr> <tr> <td>1 0 1 0</td> <td></td> <td>2.65 V</td> </tr> <tr> <td>1 0 1 1</td> <td></td> <td>2.50 V</td> </tr> <tr> <td>1 1 0 0</td> <td></td> <td>2.35 V</td> </tr> <tr> <td>1 1 0 1</td> <td></td> <td>2.20 V</td> </tr> <tr> <td>1 1 1 0</td> <td></td> <td>2.05 V</td> </tr> <tr> <td>1 1 1 1</td> <td></td> <td>1.90 V</td> </tr> </table> <p>(When LVCMPCR.EXVCCINP2 = 1 (CMPA2 pin select))</p> <table border="0"> <tr> <td>b7</td> <td>b4</td> <td></td> </tr> <tr> <td>0 0 0 1</td> <td></td> <td>1.33 V</td> </tr> </table> <p>Settings other than above are prohibited.</p>	b7	b4		0 0 0 0		4.15 V	0 0 0 1		4.00 V	0 0 1 0		3.85 V	0 0 1 1		3.70 V	0 1 0 0		3.55 V	0 1 0 1		3.40 V	0 1 1 0		3.25 V	0 1 1 1		3.10 V	1 0 0 0		2.95 V	1 0 0 1		2.80 V	1 0 1 0		2.65 V	1 0 1 1		2.50 V	1 1 0 0		2.35 V	1 1 0 1		2.20 V	1 1 1 0		2.05 V	1 1 1 1		1.90 V	b7	b4		0 0 0 1		1.33 V	R/W
b7	b4																																																												
0 0 0 0		4.15 V																																																											
0 0 0 1		4.00 V																																																											
0 0 1 0		3.85 V																																																											
0 0 1 1		3.70 V																																																											
0 1 0 0		3.55 V																																																											
0 1 0 1		3.40 V																																																											
0 1 1 0		3.25 V																																																											
0 1 1 1		3.10 V																																																											
1 0 0 0		2.95 V																																																											
1 0 0 1		2.80 V																																																											
1 0 1 0		2.65 V																																																											
1 0 1 1		2.50 V																																																											
1 1 0 0		2.35 V																																																											
1 1 0 1		2.20 V																																																											
1 1 1 0		2.05 V																																																											
1 1 1 1		1.90 V																																																											
b7	b4																																																												
0 0 0 1		1.33 V																																																											

Note: • Set the PRCR.PRC3 bit to 1 (write enabled) before rewriting this register.

When changing the LVDLVLR register, first set the LVCMPCR.LVD1E and LVCMPCR.LVD2E bits to 0 (voltage detection n circuit disabled) (n = 1, 2).

Do not use the voltage detection 1 and 2 circuits at the same detection voltage level. When setting the detection voltage level of the voltage detection 0 circuit to 1.90 V, do not set the detection voltage level of the voltage detection 1 and 2 circuits to 1.90 V. When setting the detection voltage level of the voltage detection 0 circuit to 2.80 V, do not set the detection voltage level of the voltage detection 1 and 2 circuits to 2.80 V.

8.2.7 Voltage Monitoring 1 Circuit/Comparator A1 Control Register 0 (LVD1CR0)

Address(es): 0008 C29Ah

b7	b6	b5	b4	b3	b2	b1	b0	
LVD1RN	LVD1RI	LVD1FSAMP [1:0]		—	LVD1CMPE	LVD1DFDIS	LVD1RIE	
Value after reset:	1	0	0	0	X	0	1	0

x: Undefined

Bit	Symbol	Bit Name	Description	R/W
b0	LVD1RIE	Voltage Monitoring 1/Comparator A1 Interrupt/Reset Enable	0: Disabled 1: Enabled	R/W
b1	LVD1DFDIS	Voltage Monitoring 1/Comparator A1 Digital Filter Disable Mode Select	0: Digital filter enable 1: Digital filter disable	R/W
b2	LVD1CMPE	Voltage Monitoring 1 Circuit/Comparator A1 Comparison Result Output Enable	0: Voltage monitoring 1 circuit comparison results output disable 1: Voltage monitoring 1 circuit comparison results output enable	R/W
b3	—	Reserved	The read value is undefined. The write value should be 0.	R/W
b5, b4	LVD1FSAMP [1:0]	Sampling Clock Select	b5 b4 0 0: LOCO divided by 1 0 1: LOCO divided by 2 1 0: LOCO divided by 4 1 1: LOCO divided by 8	R/W
b6	LVD1RI	Voltage Monitoring 1 Circuit/Comparator A1 Mode Select	0: Voltage monitoring 1 interrupt enabled when Vdet1 is crossed 1: Voltage monitoring 1 reset enabled when the voltage falls to and below Vdet1	R/W
b7	LVD1RN	Voltage Monitoring 1/Comparator A1 Reset Negation Select	0: Negation follows a stabilization time (tLVD1) after VCC > Vdet1 is detected. 1: Negation follows a stabilization time (tLVD1) after assertion of the LVD1 reset.	R/W

Note: • Set the PRCR.PRC3 bit to 1 (write enabled) before rewriting this register.

LVD1RIE Bit (Voltage Monitoring 1/Comparator A1 Interrupt/Reset Enable)

Ensure that neither a voltage monitoring 1 reset nor a voltage monitoring 1 non-maskable interrupt is generated during programming or erasure of the flash memory.

LVD1DFDIS Bit (Voltage Monitoring 1/Comparator A1 Digital Filter Disable Mode Select)

Set the LOCOCR.LCSTP bit to 0 (the LOCO operates) if the LVD1DFDIS bit is 0 (digital filter enabled). Set the LVD1DFDIS bit to 1 (digital filter disabled) when using voltage monitoring 1 circuit in software standby mode or deep software standby mode.

LVD1FSAMP[1:0] Bits (Sampling Clock Select)

The LVD1FSAMP[1:0] bits can be modified only when the LVD1DFDIS bit is 1 (digital filter disabled). The LVD1FSAMP[1:0] bits should not be modified when the LVD1DFDIS bit is 0 (digital filter enabled).

LVD1RI Bit (Voltage Monitoring 1 Circuit/Comparator A1 Mode Select)

When the LVD1RI bit is 1 (voltage monitoring 1 reset enabled) or when the LVD2CR0.LVD2RI bit is 1 (voltage monitoring 2 reset enabled), a transition to deep software standby mode cannot be made, instead a transition to software standby mode is made. To enter deep software standby mode, set the LVD1RI bit to 0 (voltage monitoring 1 interrupt enabled) and the LVD2CR0.LVD2RI bit to 0 (voltage monitoring 2 interrupt enabled).

LVD1RN Bit (Voltage Monitoring 1/Comparator A1 Reset Negation Select)

If the LVD1RN bit is to be set to 1 (negation follows a stabilization time after assertion of the voltage monitoring 1 reset signal), set the LOCOCR.LCSTP bit to 0 (the LOCO operates). Furthermore, if a transition to software standby mode or deep software standby mode is to be made, the only possible value for the LVD1RN bit is 0 (negation follows a stabilization time after $VCC > V_{det1}$ is detected). Do not set the LVD1RN bit to 1 (negation follows a stabilization time after assertion of the voltage monitoring 1 reset signal).

8.2.8 Voltage Monitoring 2 Circuit/Comparator A2 Control Register 0 (LVD2CR0)

Address(es): 0008 C29Bh

b7	b6	b5	b4	b3	b2	b1	b0	
LVD2RN	LVD2RI	LVD2FSAMP [1:0]	—	LVD2CMPE	LVD2DFDIS	LVD2RIE		
Value after reset:	1	0	0	0	X	0	1	0

x: Undefined

Bit	Symbol	Bit Name	Description	R/W
b0	LVD2RIE	Voltage Monitoring 2/Comparator A2 Interrupt/Reset Enable	0: Disabled 1: Enabled	R/W
b1	LVD2DFDIS	Voltage Monitoring 2/Comparator A2 Digital Filter Disable Mode Select	0: Digital filter enable 1: Digital filter disable	R/W
b2	LVD2CMPE	Voltage Monitoring 2 Circuit/Comparator A2 Comparison Result Output Enable	0: Voltage monitoring 2 circuit comparison results output disable 1: Voltage monitoring 2 circuit comparison results output enable	R/W
b3	—	Reserved	The read value is undefined. The write value should be 0.	R/W
b5, b4	LVD2FSAMP [1:0]	Sampling Clock Select	b5 b4 0 0: LOCO divided by 1 0 1: LOCO divided by 2 1 0: LOCO divided by 4 1 1: LOCO divided by 8	R/W
b6	LVD2RI	Voltage Monitoring 2 Circuit/Comparator A2 Mode Select	0: Voltage monitoring 2 interrupt during Vdet2 passage 1: Voltage monitoring 2 reset enabled when the voltage falls to and below Vdet2	R/W
b7	LVD2RN	Voltage Monitoring 2/Comparator A2 Reset Negation Select	0: Negation follows a stabilization time (tLVD2) after VCC > Vdet2 is detected. 1: Negation follows a stabilization time (tLVD2) after assertion of the LVD2 reset.	R/W

Note: • Set the PRCR.PRC3 bit to 1 (write enabled) before rewriting this register.

LVD2RIE Bit (Voltage Monitoring 2/Comparator A2 Interrupt/Reset Enable)

Ensure that neither a voltage monitoring 2 reset nor a voltage monitoring 2 non-maskable interrupt is generated during programming or erasure of the flash memory.

LVD2DFDIS Bit (Voltage Monitoring 2/Comparator A2 Digital Filter Disable Mode Select)

Set the LOCOCR.LCSTP bit to 0 (the LOCO operates) if the LVD1DFDIS bit is 0 (digital filter enabled).
Set the LVD2DFDIS bit to 1 (digital filter disabled) when using voltage monitoring 2 circuit in software standby mode or deep software standby mode.

LVD2FSAMP[1:0] Bits (Sampling Clock Select)

The LVD2FSAMP[1:0] bits can be modified only when the LVD2DFDIS bit is 1 (digital filter disabled). The LVD2FSAMP[1:0] bits should not be modified when the LVD2DFDIS bit is 0 (digital filter enabled).

LVD2RI Bit (Voltage Monitoring 2 Circuit/Comparator A2 Mode Select)

When the LVD2RI bit is 1 (voltage monitoring 2 reset enabled) or when the LVD1CR0.LVD1RI bit is 1 (voltage monitoring 1 reset enabled), a transition to deep software standby mode cannot be made, instead a transition to software standby mode is made. To enter deep software standby mode, set the LVD2RI bit to 0 (voltage monitoring 2 interrupt enabled) and the LVD1CR0.LVD1RI bit to 0 (voltage monitoring 1 interrupt enabled).

LVD2RN Bit (Voltage Monitoring 2/Comparator A2 Reset Negation Select)

If the LVD2RN bit is to be set to 1 (negation follows a stabilization time after assertion of the voltage monitoring 2 reset signal), set the LOCOCR.LCSTP bit to 0 (the LOCO operates). Furthermore, if a transition to software standby mode or deep software standby mode is to be made, the only possible value for the LVD2RN bit is 0 (negation follows a stabilization time after $VCC > V_{det2}$ is detected). Do not set the LVD2RN bit to 1 (negation follows a stabilization time after assertion of the voltage monitoring 2 reset signal).

8.3 VCC Input Voltage Monitor

8.3.1 Monitoring Vdet0

Monitoring Vdet0 is not possible.

8.3.2 Monitoring Vdet1

Table 8.3 lists the procedures for setting up monitoring against Vdet1. After making the following settings, the LVD1SR.LVD1MON flag can be used to monitor the results of comparison by voltage monitor 1.

Table 8.3 Procedures for Setting up Monitoring against Vdet1

Step	When the Digital Filter is in Use	When the Digital Filter is Not in Use
1	Specify the detection voltage by setting the LVDLVL.R.LVD1LVL[3:0] bits (voltage detection 1 level select).	
2	Set the LVCMP.R.EXVREFINP1 bit to 0 (internal reference voltage). Set the LVCMP.R.EXVCCINP1 bit to 0 (VCC voltage).	
3	Select the sampling clock for the digital filter by setting the LVD1CR0.LVD1FSAMP[1:0] bits.	Set the LVD1CR0.LVD1DFDIS bit to 1 (disabling the digital filter).
4	Set the LVCMP.R.LVD1E bit to 1 (enabling the circuit for voltage detection 1).	
5	Wait for at least $t_d(E-A)$ or longer.	
6	Set the LVD1CR0.LVD1CMPE bit to 1 (enabling output of the results of comparison by the voltage monitoring 1 circuit).	
7	Wait for at least one cycle of the LOCO.	—
8	Clear the LVD1CR0.LVD1DFDIS bit to 0 (enabling the digital filter).	—
9	Wait for at least $2n + 3$ cycles of the LOCO (where $n = 1, 2, 4, 8$, and the sampling clock for the digital filter is the LOCO frequency-divided by n).	— (No waiting is required.)

8.3.3 Monitoring Vdet2

Table 8.4 lists the procedures for setting up monitoring against Vdet2. After making the following settings, the LVD2SR.LVD2MON flag can be used to monitor the results of comparison by voltage monitor 2.

Table 8.4 Procedures for Setting up Monitoring against Vdet1

Step	When the Digital Filter is in Use	When the Digital Filter is Not in Use
1	Specify the detection voltage by setting the LVDLVL.R.LVD2LVL[3:0] bits (voltage detection 2 level select).	
2	Set the LVCMP.R.EXVREFINP2 bit to 0 (internal reference voltage). Set the LVCMP.R.EXVCCINP2 bit to 0 (VCC voltage) or set it to 1 (selecting the input voltage on the CMPA2 pin).	
3	Select the sampling clock for the digital filter by setting the LVD2CR0.LVD2FSAMP[1:0] bits.	Set the LVD2CR0.LVD2DFDIS bit to 1 (disabling the digital filter).
4	Set the LVCMP.R.LVD2E bit to 1 (enabling the circuit for voltage detection 2).	
5	Wait for at least $t_d(E-A)$ or longer.	
6	Set the LVD2CR0.LVD2CMPE bit to 1 (enabling output of the results of comparison by the voltage monitoring 2 circuit).	
7	Wait for at least one cycle of the LOCO.	—
8	Clear the LVD2CR0.LVD2DFDIS bit to 0 (enabling the digital filter).	—
9	Wait for at least $2n + 3$ cycles of the LOCO (where $n = 1, 2, 4, 8$, and the sampling clock for the digital filter is the LOCO frequency-divided by n).	— (No waiting is required.)

8.4 Reset from Voltage Monitor 0

When using the reset from voltage monitor 0, clear the voltage detection 0 circuit start bit (OFS1.LVDAS) to 0 (enabling the voltage monitor 0 reset after a reset).

Figure 8.4 shows an example of operations for a voltage monitoring 0 reset.

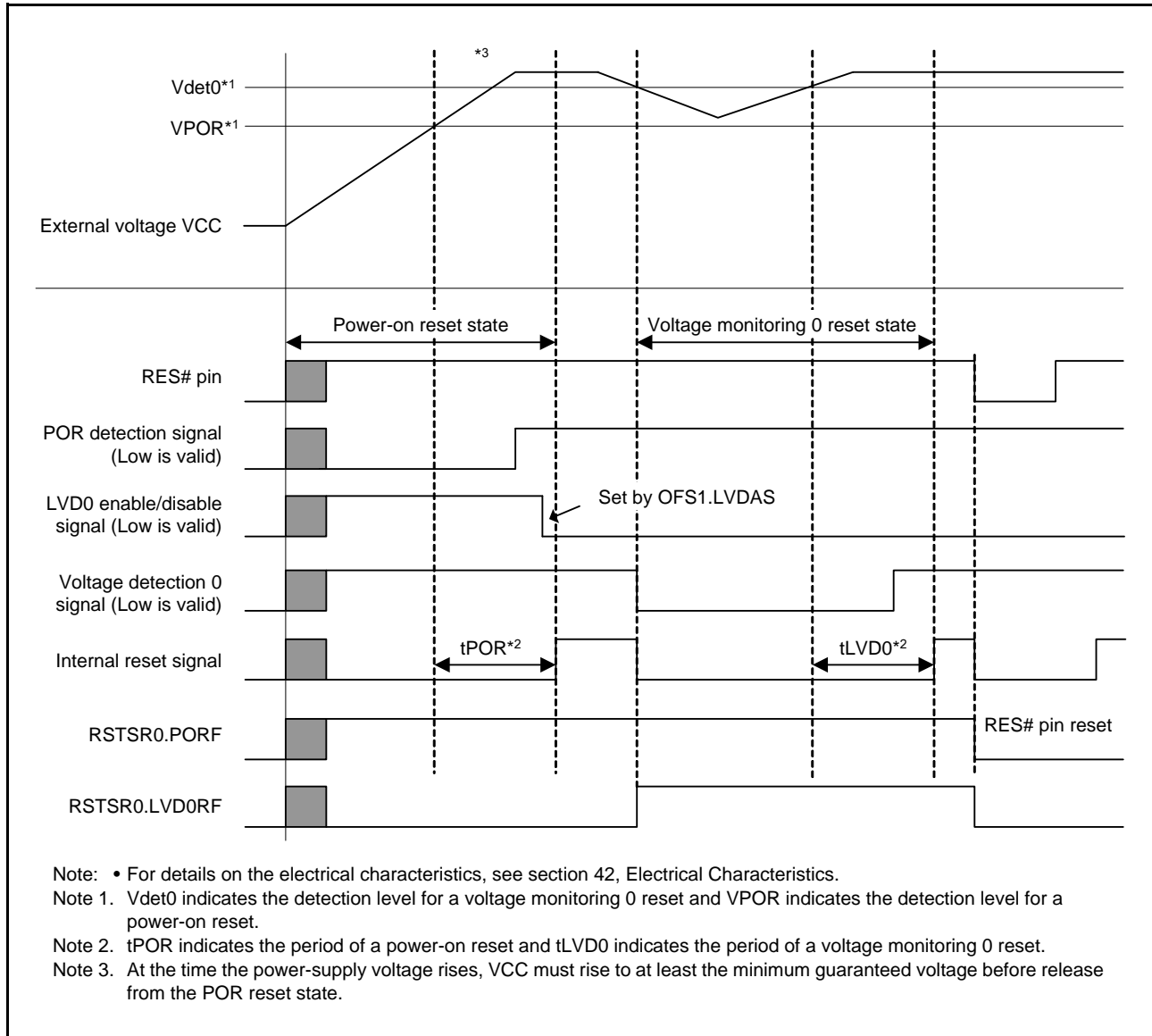


Figure 8.4 Example of Voltage Monitoring 0 Reset Operation

8.5 Interrupt and Reset from Voltage Monitoring 1

Table 8.5 shows the procedures for setting bits related to the voltage monitoring 1 interrupt and voltage monitoring 1 reset. Table 8.6 shows the procedures for stopping bits related to the voltage monitoring 1 interrupt and voltage monitoring 1 reset. Figure 8.5 shows an example of operations for a voltage monitoring 1 interrupt. For the operation of the voltage monitoring 1 reset, see Figure 6.2 in section 6, Resets.

Furthermore, set the LVD1CR0.LVD1DFDIS bit to 1 (disabling the digital filter) if you intend to use the voltage monitoring 1 circuit to initiate release from software standby mode or deep software standby mode.

Table 8.5 Procedures for Setting Bits Related to the Voltage Monitoring 1 Interrupt and Voltage Monitoring 1 Reset

Step	When the Digital Filter is in Use		When the Digital Filter is Not in Use	
	Voltage Monitoring 1 Interrupt, Voltage Monitoring 1 ELC Event Output	Voltage Monitoring 1 Reset	Voltage Monitoring 1 Interrupt, Voltage Monitoring 1 ELC Event Output	Voltage Monitoring 1 Reset
1 ^{*2}	Select the detection voltage by setting the LVDLVL.R.LVD1LVL[3:0] bits.			
2 ^{*2}	Set the LVCMPCR.EXVREFINP1 bit to 0 (internal reference voltage). Set the LVCMPCR.EXVCCINP1 bit to 0 (VCC voltage).			
3 ^{*1}	Select the sampling clock for the digital filter by setting the LVD1CR0.LVD1FSAMP[1:0] bits.		Set the LVD1CR0.LVD1DFDIS bit to 1 (disabling the digital filter).	
4 ^{*1, *2}	Clear the LVD1CR0.LVD1RI bit to 0 (to select the voltage monitoring 1 interrupt).	Set the LVD1CR0.LVD1RI bit to 1 (to select the voltage monitoring 1 reset). Select the type of reset negation by setting the LVD1CR0.LVD1RN bit.	Clear the LVD1CR0.LVD1RI bit to 0 (to select the voltage monitoring 1 interrupt).	Set the LVD1CR0.LVD1RI bit to 1 (to select the voltage monitoring 1 reset). Select the type of reset negation by setting the LVD1CR0.LVD1RN bit.
5	Select the timing of interrupt requests by setting the LVD1CR1.LVD1IDTSEL[1:0] bits. Select the type of interrupt by setting the LVD1CR1.LVD1IRQSEL bit.	—	Select the timing of interrupt requests by setting the LVD1CR1.LVD1IDTSEL[1:0] bits. Select the type of interrupt by setting the LVD1CR1.LVD1IRQSEL bit.	—
6	—	Set the LVD1CR0.LVD1RIE bit to 1 (enabling voltage monitoring 1 interrupt/reset)	—	Set the LVD1CR0.LVD1RIE bit to 1 (enabling voltage monitoring 1 interrupt/reset)
7 ^{*2}	Set the LVCMPCR.LVD1E bit to 1 (enabling the circuit for voltage detection 1).			
8 ^{*2}	Wait for at least $t_d(E-A)$ or longer.			
9	Set the LVD1CR0.LVD1CMPE bit to 1 (enabling output of the results of comparison by the voltage monitoring 1 circuit).			
10	Wait for at least one cycle of the LOCO.		—	
11	Clear the LVD1CR0.LVD1DFDIS bit to 0 (enabling the digital filter).		—	
12	Wait for at least $2n + 3$ cycles of the LOCO (where $n = 1, 2, 4, 8$, and the sampling clock for the digital filter is the LOCO frequency-divided by n).		— (No waiting is required.)	
13	Clear the LVD1SR.LVD1DET bit to 0.	—	Clear the LVD1SR.LVD1DET bit to 0.	—
14	Set the LVD1CR0.LVD1RIE bit to 1 (enabling voltage monitoring 1 interrupt/reset)	—	Set the LVD1CR0.LVD1RIE bit to 1 (enabling voltage monitoring 1 interrupt/reset)	—

Note 1. Executing steps 3 and 4 at the same time (with a single instruction) creates no problems.

Note 2. Steps 1, 2, 4, 7, and 8 are not required if operation is with the setting to select the voltage monitoring 1 interrupt (LVD1CR0.LVD1RI = 0) and operation can be restarted by simply changing the settings of the LVD1CR0.LVD1DFDIS and LVD1FSAMP bits or LVD1CR1.LVD1IRQSEL and LVD1IDTSEL bits after monitoring is stopped or if restarting is in a case where the settings related to the voltage-detection circuit were not changed after monitoring was stopped. When changes are to be made and operation is with the setting to select the voltage monitoring 1 reset (LVD1CR0.LVD1RI = 1), proceed through all steps from 1 to 14.

Table 8.6 Procedures for Stopping Bits Related to the Voltage Monitoring 1 Interrupt and Voltage Monitoring 1 Reset

Step	Voltage Monitoring 1 Interrupt, Voltage Monitoring 1 ELC Event Output	Voltage Monitoring 1 Reset
1	Clear the LVD1CR0.LVD1RIE bit to 0 (disabling voltage monitoring 1 interrupt/reset).	—
2	Clear the LVD1CR0.LVD1CMPE bit to 0 (disabling output of the results of comparison by the voltage monitoring 1 circuit).	
3 ¹	Clear the LVCMPCR.LVD1E bit to 0 (disable the voltage monitoring 1 circuit).	
4	—	Clear the LVD1CR0.LVD1RIE bit to 0 (disabling voltage monitoring 1 interrupt/reset).
5	Modify settings of bits related to the voltage detection circuit registers other than LVCMPCR.LVD1E, LVD1CR0.LVD1RIE, and LVD1CR0.LVD1CMPE.	

Note 1. Step 3 is not required if operation is with the setting to select the voltage monitoring 1 interrupt (LVD1CR0.LVD1RI = 0) and operation can be restarted by simply changing the settings of the LVD1CR0.LVD1DFDIS and LVD1FSAMP bits or LVD1CR1.LVD1IRQSEL and LVD1IDTSEL bits after monitoring is stopped or if restarting is in a case where the settings related to the voltage-detection circuit were not changed after monitoring was stopped. When changes are to be made and operation is with the setting to select the voltage monitoring 1 reset (LVD1CR0.LVD1RI = 1), proceed through all steps from 1 to 5.

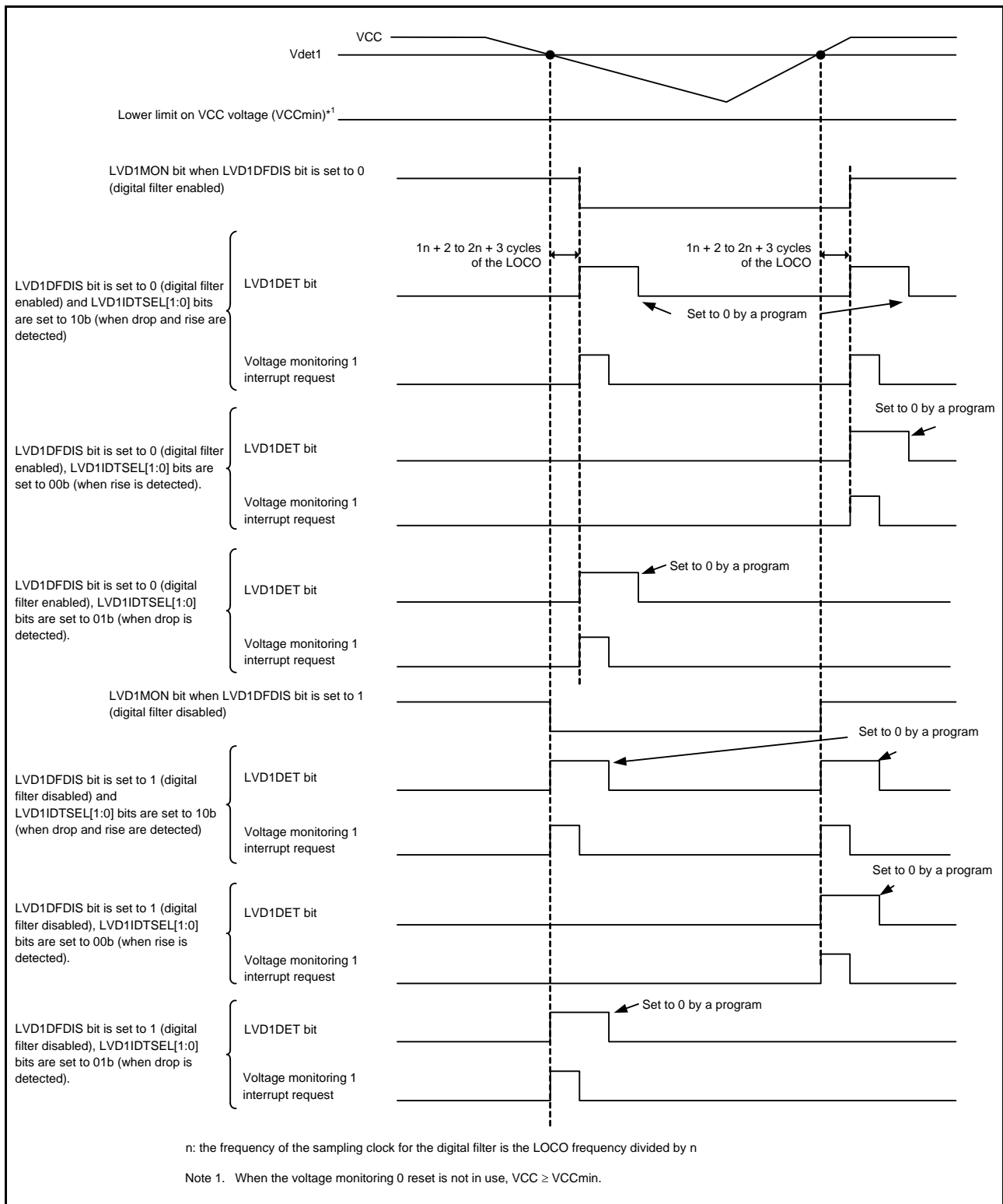


Figure 8.5 Example of Voltage Monitoring 1 Interrupt Operation

8.6 Interrupt and Reset from Voltage Monitoring 2

Table 8.7 shows the procedures for setting bits related to the voltage monitoring 2 interrupt and voltage monitoring 2 reset. Table 8.8 shows the procedure for stopping bits related to the voltage monitoring 2 interrupt and voltage monitoring 2 reset. Figure 8.6 shows an example of operations for a voltage monitoring 2 interrupt. For the operation of the voltage monitoring 2 reset, see Figure 6.2 in section 6, Resets.

Furthermore, set the LVD2CR0.LVD2DFDIS bit to 1 (disabling the digital filter) if you intend to use the voltage monitoring 2 circuit to initiate release from software standby mode or deep software standby mode.

Table 8.7 Procedures for Setting Bits Related to the Voltage Monitoring 2 Interrupt and Voltage Monitoring 2 Reset

Step	When the Digital Filter is in Use		When the Digital Filter is Not in Use	
	Voltage Monitoring 2 Interrupt, Voltage Monitoring 2 ELC Event Output	Voltage Monitoring 2 Reset	Voltage Monitoring 2 Interrupt, Voltage Monitoring 2 ELC Event Output	Voltage Monitoring 2 Reset
1 ^{*2}	Select the detection voltage by setting the LVDLVLR.LVD2LVL[3:0] bits.			
2 ^{*2}	Set the LVCMPCR.EXVREFINP2 bit to 0 (internal reference voltage). Set the LVCMPCR.EXVCCINP2 bit to 0 (VCC voltage) or set it to 1 (selecting the input voltage on the CMPA2 pin).			
3 ^{*1}	Select the sampling clock for the digital filter by setting the LVD2CR0.LVD2FSAMP[1:0] bits.		Set the LVD2CR0.LVD2DFDIS bit to 1 (disabling the digital filter).	
4 ^{*1, *2}	Clear the LVD2CR0.LVD2RI bit to 0 (to select the voltage monitoring 2 interrupt).	Set the LVD2CR0.LVD2RI bit to 1 (to select the voltage monitoring 2 reset). Select the type of reset negation by setting the LVD2CR0.LVD2RN bit.	Clear the LVD2CR0.LVD2RI bit to 0 (to select the voltage monitoring 2 interrupt).	Set the LVD2CR0.LVD2RI bit to 1 (to select the voltage monitoring 2 reset). Select the type of reset negation by setting the LVD2CR0.LVD2RN bit.
5	Select the timing of interrupt requests by setting the LVD2CR1.LVD2IDTSEL[1:0] bits. Select the type of interrupt by setting the LVD2CR1.LVD2IRQSEL bit.	—	Select the timing of interrupt requests by setting the LVD2CR1.LVD2IDTSEL[1:0] bits. Select the type of interrupt by setting the LVD2CR1.LVD2IRQSEL bit.	—
6	—	Set the LVD2CR0.LVD2RIE bit to 1 (enabling voltage monitoring 2 interrupt/reset)	—	Set the LVD2CR0.LVD2RIE bit to 1 (enabling voltage monitoring 2 interrupt/reset)
7 ^{*2}	Set the LVCMPCR.LVD2E bit to 1 (enabling the circuit for voltage detection 2).			
8 ^{*2}	Wait for at least $t_d(E-A)$ or longer.			
9	Set the LVD2CR0.LVD2CMPE bit to 1 (enabling output of the results of comparison by the voltage monitoring 2 circuit).			
10	Wait for at least one cycle of the LOCO.		—	
11	Clear the LVD2CR0.LVD2DFDIS bit to 0 (enabling the digital filter).		—	
12	Wait for at least $2n + 3$ cycles of the LOCO (where $n = 1, 2, 4, 8$, and the sampling clock for the digital filter is the LOCO frequency-divided by n).		— (No waiting is required.)	
13	Clear the LVD2SR.LVD2DET bit to 0.	—	Clear the LVD2SR.LVD2DET bit to 0.	—
14	Set the LVD2CR0.LVD2RIE bit to 1 (enabling voltage monitoring 2 interrupt/reset)	—	Set the LVD2CR0.LVD2RIE bit to 1 (enabling voltage monitoring 2 interrupt/reset)	—

Note 1. Executing steps 3 and 4 at the same time (with a single instruction) creates no problems.

Note 2. Steps 1, 2, 4, 7, and 8 are not required if operation is with the setting to select the voltage monitoring 2 interrupt (LVD2CR0.LVD2RI = 0) and operation can be restarted by simply changing the settings of the LVD2CR0.LVD2DFDIS and LVD2FSAMP bits or LVD2CR1.LVD2IRQSEL and LVD2IDTSEL bits after monitoring is stopped or if restarting is in a case where the settings related to the voltage-detection circuit were not changed after monitoring was stopped. When changes are to be made and operation is with the setting to select the voltage monitoring 2 reset (LVD2CR0.LVD2RI = 1), proceed through all steps from 1 to 14.

Table 8.8 Procedures for Stopping Bits Related to the Voltage Monitoring 2 Interrupt and Voltage Monitoring 2 Reset

Step	Voltage Monitoring 2 Interrupt, Voltage Monitoring 2 ELC Event Output	Voltage Monitoring 2 Reset
1	Clear the LVD2CR0.LVD2RIE bit to 0 (disabling voltage monitoring 2 interrupt/reset).	—
2	Clear the LVD2CR0.LVD2CMPE bit to 0 (disabling output of the results of comparison by the voltage monitoring 2 circuit).	
3 ¹	Clear the LVCMPCR.LVD2E bit to 0 (disable the voltage monitoring 2 circuit).	
4	—	Clear the LVD2CR0.LVD2RIE bit to 0 (disabling voltage monitoring 2 interrupt/reset).
5	Modify settings of bits related to the voltage detection circuit registers other than LVCMPCR.LVD2E, LVD2CR0.LVD2RIE, and LVD2CR0.LVD2CMPE.	

Note 1. Step 3 is not required if operation is with the setting to select the voltage monitoring 2 interrupt (LVD2CR0.LVD2RI = 0) and operation can be restarted by simply changing the settings of the LVD2CR0.LVD2DFDIS and LVD2FSAMP bits or LVD2CR1.LVD2IRQSEL and LVD2IDTSEL bits after monitoring is stopped or if restarting is in a case where the settings related to the voltage-detection circuit were not changed after monitoring was stopped. When changes are to be made and operation is with the setting to select the voltage monitoring 2 reset (LVD2CR0.LVD2RI = 1), proceed through all steps from 1 to 5.

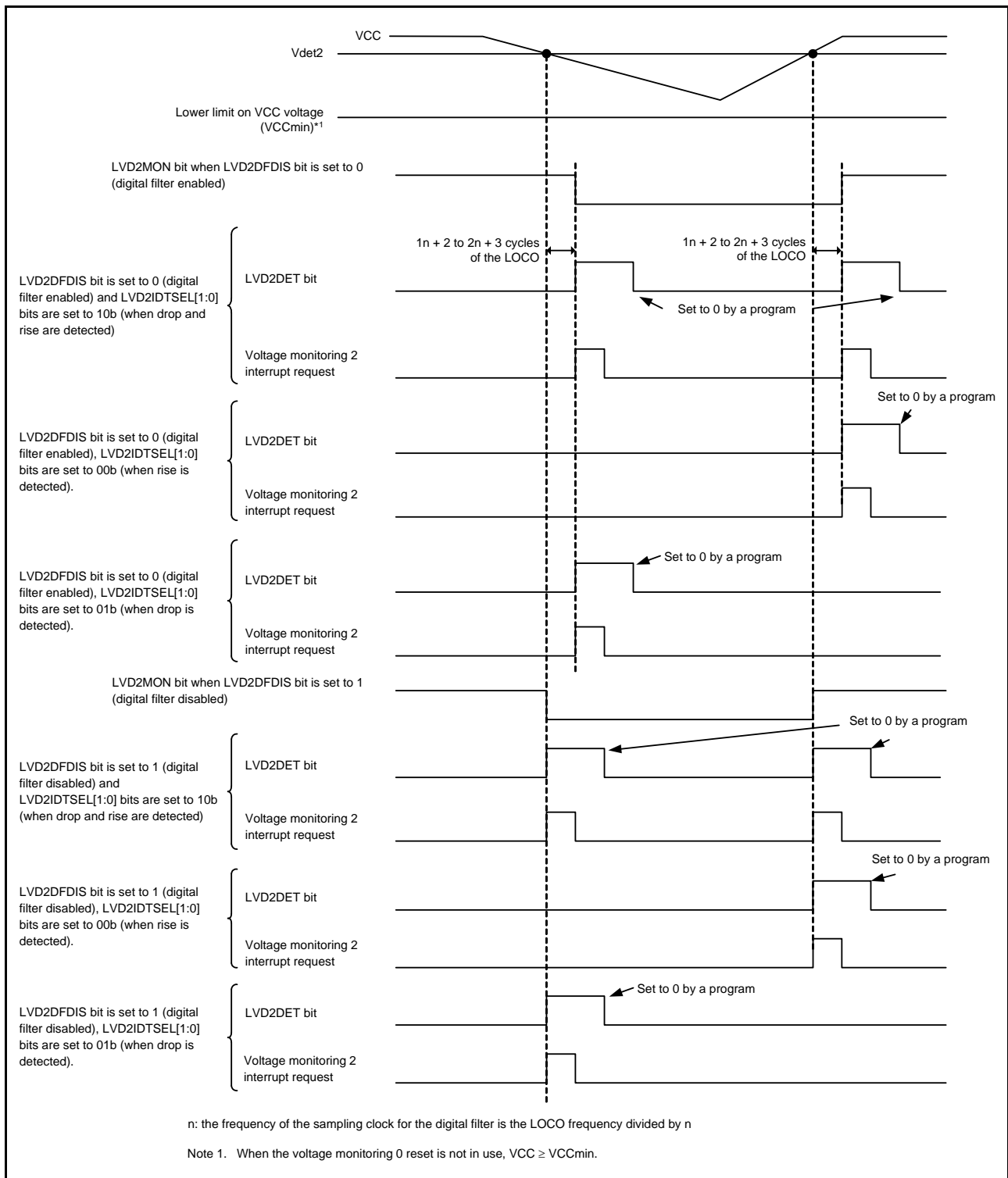


Figure 8.6 Example of Voltage Monitoring 2 Interrupt Operation

8.7 Event Link Output

The LVD can output the event signals to the event link controller (ELC).

(1) Vdet1 passage detection event

The LVD outputs the event signal when it is detected that the voltage has passed the Vdet1 voltage while both the voltage detection 1 circuit and the voltage monitoring 1 circuit comparison result output are enabled.

(2) Vdet2 passage detection event

The LVD outputs the event signal when it is detected that the voltage has passed the Vdet2 voltage while both the voltage detection 2 circuit and the voltage monitoring 2 circuit comparison result output are enabled.

When enabling the LVD's event link output function, be sure to make settings for enabling the LVD before enabling the LVD event link function of the ELC. To stop the LVD's event link output function, be sure to make settings for stopping the LVD after disabling the LVD event link function of the ELC.

8.7.1 Interrupt Handling and Event Linking

The LVD has the bits to separately enable or disable the voltage monitoring 1 and 2 interrupts. When an interrupt source is generated and the interrupt is enabled by the interrupt enable bit, the interrupt request signal is output to the CPU.

On the contrary, as soon as an interrupt source is generated, the event link signal is output as the event signal to the other module via the ELC regardless of the state of the interrupt enable bit.

It is possible to output voltage monitoring 1 and 2 interrupts in software standby mode and deep software standby mode.

The event signals for the ELC, however, are output as follows:

- When the events of passing Vdet1/Vdet2 are detected in software standby mode, no event signals are generated for the ELC because no clock is presented in software standby mode. Since the Vdet1/Vdet2 passage detection flags are preserved, however, when the supply of the clock is resumed after restoring from software standby mode, the event signals for the ELC are output according to the state of the Vdet1/Vdet2 passage detection flags.
- If events of passing Vdet1/Vdet2 are detected in deep software standby mode, no event signals are generated for the ELC.

9. Clock Generation Circuit

9.1 Overview

The RX210 Group incorporates a clock generation circuit.

Table 9.1 lists the specifications of the clock generation circuit. Figure 9.1 shows a block diagram of the clock generation circuit.

Table 9.1 Specifications of Clock Generation Circuit

Item	Description
Use	<ul style="list-style-type: none"> Generates the system clock (ICLK) to be supplied to the CPU, DMAC, DTC, ROM, and RAM. Generates the peripheral module clocks (PCLKB and PCLKD) to be supplied to peripheral modules. The peripheral module clock used as the operating clock is PCLKD for S12AD and PCLKB for other modules. Generates the FlashIF clock (FCLK) to be supplied to the FlashIF. Generates the external bus clock (BCLK) to be supplied to the external bus. Generates the CAC clock (CACCLK) to be supplied to the CAC. Generates the RTC-dedicated sub clock (RTCSCLK) to be supplied to the RTC. Generates the IWDTC-dedicated clock (IWDTCCLK) to be supplied to the IWDTC.
Operating frequency*1	<ul style="list-style-type: none"> ICLK: 50 MHz (max) PCLKB: 32 MHz (max) PCLKD: 50 MHz (max) FCLK: 4 MHz to 32 MHz (for programming and erasing the ROM and E2 DataFlash) 32 MHz (max) (for reading from the E2 DataFlash) BCLK: 25 MHz (max) BCLK pin output: 12.5 MHz (max) CACCLK: Same as frequency of each oscillator RTCSCLK: 32.768 kHz IWDTCCLK: 125 kHz
Main clock oscillator	<ul style="list-style-type: none"> Resonator frequency: 1 MHz to 20 MHz External clock input frequency: 20 MHz (max) Connectable resonator or additional circuit: ceramic resonator, crystal resonator Connection pin: EXTAL, XTAL Oscillation stop detection function: When an oscillation stop is detected with the main clock, the system clock source is switched to LOCO and MTU output can be forcedly driven to the high-impedance.
Sub-clock oscillator	<ul style="list-style-type: none"> Resonator frequency: 32.768 kHz Connectable resonator or additional circuit: crystal resonator Connection pin: XCIN, XCOU
PLL circuit	<ul style="list-style-type: none"> Input clock source: Main clock Input pulse frequency division ratio: Selectable from 1, 2, and 4 Input frequency: 4 MHz to 12.5 MHz Frequency multiplication ratio: Selectable from 8, 10, 12, 16, 20, 24, and 25 VCO oscillation frequency: 50 MHz to 100 MHz
High-speed on-chip oscillator (HOCO)	<ul style="list-style-type: none"> Oscillation frequency: 32 MHz/36.864 MHz/40 MHz/50 MHz HOCO power supply control
Low-speed on-chip oscillator (LOCO)	Oscillation frequency: 125 kHz
IWDTC-dedicated on-chip oscillator	Oscillation frequency: 125 kHz
Control of output on the BCLK pin	<ul style="list-style-type: none"> BCLK clock output or high-level output is selectable BCLK or BCLK/2 is selectable

Note 1. The maximum operating frequency in high-speed operating mode. For the maximum operating frequency in the other operating modes, see section 11.2.5, Operating Power Control Register (OPCCR).

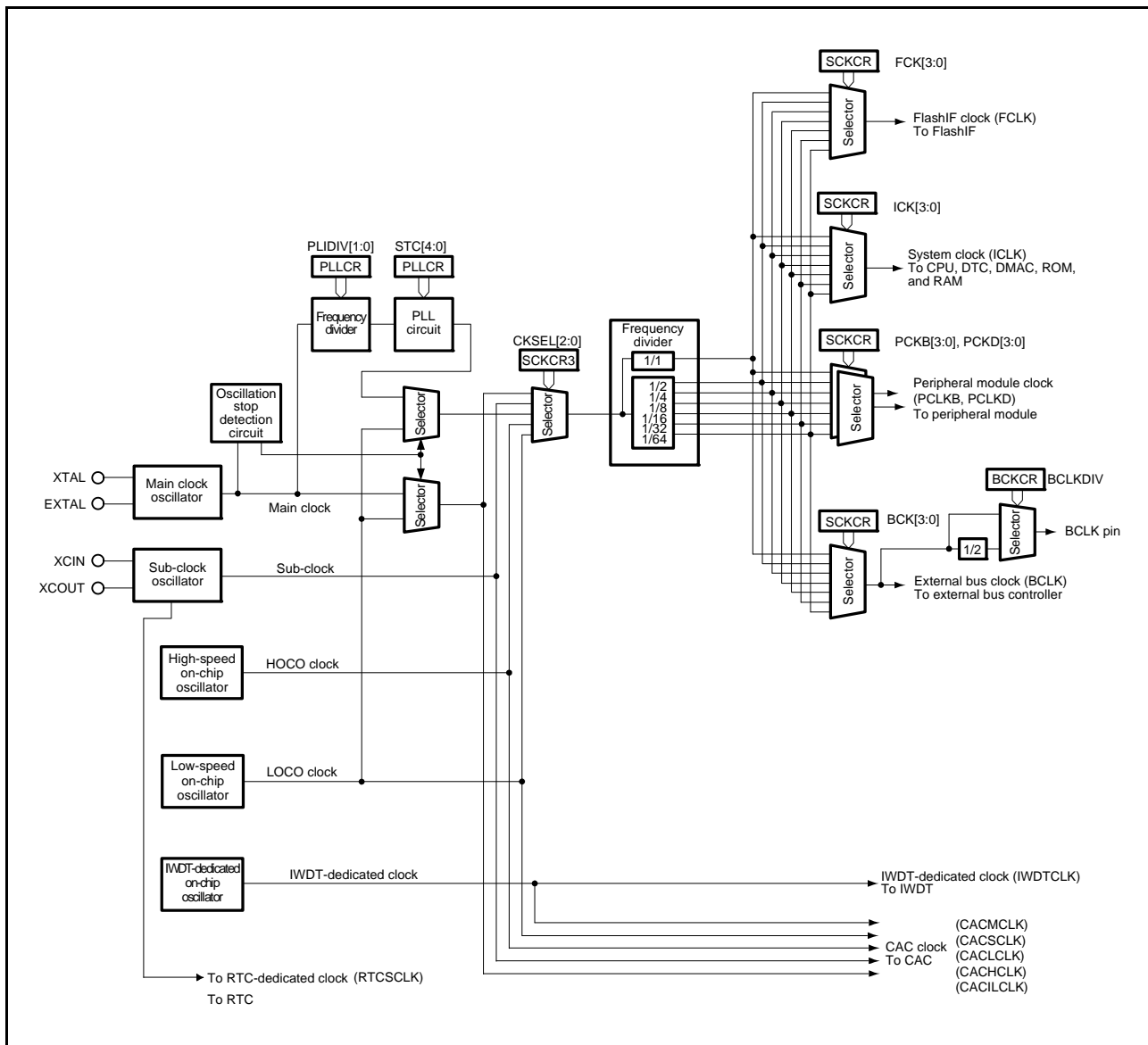


Figure 9.1 Block Diagram of Clock Generation Circuit

Table 9.2 lists the input/output pins of the clock generation circuit.

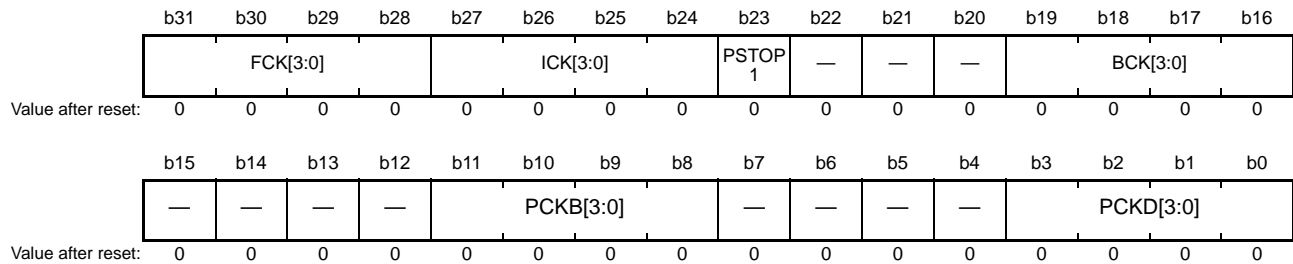
Table 9.2 Input/Output Pins of Clock Generation Circuit

Pin Name	I/O	Description
XTAL	Output	These pins are used to connect a crystal resonator. The EXTAL pin can also be used to input an external clock. For details, section 9.3.2, External Clock Input.
EXTAL	Input	
XCIN	Input	These pins are used to connect a 32.768-kHz crystal resonator.
XCOUT	Output	
BCLK	Output	This pin is used to supply external devices with the external bus clock (BCLK).

9.2 Register Descriptions

9.2.1 System Clock Control Register (SCKCR)

Address(es): 0008 0020h



Bit	Symbol	Bit Name	Description	R/W
b3 to b0	PCKD[3:0]	Peripheral Module Clock D (PCLKD) Select*1,*2	b3 b0 0 0 0 0: x1 0 0 0 1: x1/2 0 0 1 0: x1/4 0 0 1 1: x1/8 0 1 0 0: x1/16 0 1 0 1: x1/32 0 1 1 0: x1/64 Settings other than above are prohibited.	R/W
b7 to b4	—	Reserved	These bits should be set to 0001b.	R/W
b11 to b8	PCKB[3:0] *3	Peripheral Module Clock B (PCLKB) Select*1	b11 b8 0 0 0 0: x1 0 0 0 1: x1/2 0 0 1 0: x1/4 0 0 1 1: x1/8 0 1 0 0: x1/16 0 1 0 1: x1/32 0 1 1 0: x1/64 Settings other than above are prohibited.	R/W
b15 to b12	—	Reserved	These bits should be set to 0001b.	R/W
b19 to b16	BCK[3:0]	External Bus Clock (BCLK) Select*1,*2	b19 b16 0 0 0 0: x1 0 0 0 1: x1/2 0 0 1 0: x1/4 0 0 1 1: x1/8 0 1 0 0: x1/16 0 1 0 1: x1/32 0 1 1 0: x1/64 Settings other than above are prohibited.	R/W
b22 to b20	—	Reserved	These bits are read as 0. The write value should be 0.	R/W
b23	PSTOP1	BCLK Pin Output Control*3	0: BCLK pin output is enabled. 1: BCLK pin output is disabled. (Fixed high)	R/W
b27 to b24	ICK[3:0]	System Clock (ICK) Select*1,*2	b27 b24 0 0 0 0: x1 0 0 0 1: x1/2 0 0 1 0: x1/4 0 0 1 1: x1/8 0 1 0 0: x1/16 0 1 0 1: x1/32 0 1 1 0: x1/64 Settings other than above are prohibited.	R/W

Bit	Symbol	Bit Name	Description	R/W
b31 to b28	FCK[3:0]	FlashIF Clock (FCLK) Select*1	b31 b28 0 0 0 0: x1 0 0 0 1: x1/2 0 0 1 0: x1/4 0 0 1 1: x1/8 0 1 0 0: x1/16 0 1 0 1: x1/32 0 1 1 0: x1/64 Settings other than above are prohibited.	R/W

- Note:
- Set the PRCR.PRC0 bit to 1 (write enabled) before rewriting this register. The following frequency relationship need be established between the system clock (ICLK) and external bus clock (BCLK):
 $ICLK \geq BCLK$
 When BCLK is not to be used, specify either one of the frequency division settings for ICLK and PCLKB, whichever is greater, in the SCKCR.BCK[3:0] bits. If this setting causes BCLK to exceed 25 MHz, however, specify the maximum frequency division setting that will never cause BCLK to exceed 25 MHz in the SCKCR.BCK[3:0] bits.
- Note 1. The setting for division by one is prohibited if the PLL is selected.
- Note 2. Do not make a setting such that the ICLK runs at a lower frequency than the external bus clock.
- Note 3. When the external bus clock is selected, the P53 I/O port pin function is not available because it is multiplexed on the same pin as the BCLK pin function.

When an instruction for writing to SCKCR, SCKCR3, or BCKCR is to follow writing to the SCKCR register, do so in accord with the procedure below.

- Write to the SCKCR register.
- Confirm that the value has actually been written to the SCKCR register.
- Proceed to the next step.

SCKCR should not be modified in the following cases:

- The operating power control mode transition status flag in the operating power control register (OPCCR.OPCMTSF) is 1 (a transition to operating power control mode in progress)
- The ROM P/E mode entry i bit in the flash P/E mode entry register (FENTRYR.FENTRYi) is 1 (ROM P/E mode, E2 DataFlash P/E mode) (i = 0, 1, D)
- Time period from WAIT instruction execution for a transition to sleep mode, to return from sleep mode to normal operating mode

PCKD[3:0] Bits (Peripheral Module Clock D (PCLKD) Select)

These bits select the frequency of the peripheral module clock (PCLKD).
This is the operating clock for the S12AD module.

PCKB[3:0] Bits (Peripheral Module Clock B (PCLKB) Select)

These bits select the frequency of the peripheral module clock (PCLKB).
This is the operating clock for modules other than the S12AD module.

BCK[3:0] Bits (External Bus Clock (BCLK) Select)

These bits select the frequency of the external bus clock (BCLK).

PSTOP1 Bit (BCLK Pin Output Control)

This bit controls stop/supply of BCLK that is output from the BCLK pin. When stop is selected, a high-level signal is output.

ICK[3:0] Bits (System Clock (ICLK) Select)

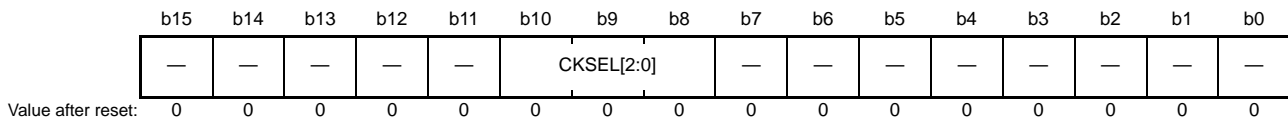
These bits select the frequency of the system clock (ICLK).

FCK[3:0] Bits (FlashIF Clock (FCLK) Select)

These bits select the frequency of the FlashIF clock (FCLK).

9.2.2 System Clock Control Register 3 (SCKCR3)

Address(es): 0008 0026h



Bit	Symbol	Bit Name	Description	R/W
b7 to b0	—	Reserved	These bits are read as 0. The write value should be 0.	R/W
b10 to b8	CKSEL[2:0]	Clock Source Select	[Chip version A] ^{b10 b8} 0 0 0: LOCO 0 0 1: HOCO 0 1 1: Sub-clock oscillator 1 0 0: PLL circuit [Chip versions B and C] ^{b10 b8} 0 0 0: LOCO 0 0 1: HOCO 0 1 0: Main clock oscillator 0 1 1: Sub-clock oscillator 1 0 0: PLL circuit Settings other than above are prohibited.	R/W
b15 to b11	—	Reserved	These bits are read as 0. The write value should be 0.	R/W

Note: • Set the PRCR.PRC0 bit to 1 (write enabled) before rewriting this register.

SCKCR3 should not be modified in the following cases:

- The operating power control mode transition status flag in the operating power control register (OPCCR.OPCMTSF) is 1 (a transition to operating power control mode in progress)
- The ROM P/E mode entry i bit in the flash P/E mode entry register (FENTRYR.FENTRYi) is 1 (ROM P/E mode, E2 DataFlash P/E mode) (i = 0, 1, D)
- Time period from WAIT instruction execution for a transition to sleep mode, to return from sleep mode to normal operating mode

When changing the source of the system clock while the CPU is running on the low-speed on-chip oscillator after a reset, be sure to write 00h to VRCCR register before writing any setting data to this register.

[Write procedure]

- (1) Enabling writing to the registers associated with the PRCR.PRC2 bit
Write A504h to the protect register (PRCR).
- (2) Writing 00h to VRCCR register
- (3) Disabling writing to the registers associated with the PRCR.PRC2 bit
Write A500h to the protect register (PRCR).

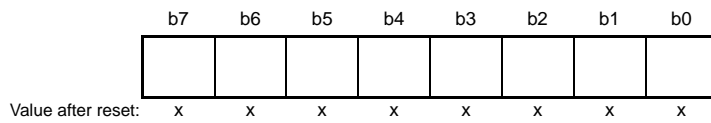
CKSEL[2:0] Bits (Clock Source Select)

These bits select the source of the system clock (ICLK), peripheral module clock (PCLKB and PCLKD), FlashIF clock (FCLK), and external bus clock (BCLK) from low-speed on-chip oscillator (LOCO), high-speed on-chip oscillator (HOCO), the main clock oscillator (chip versions B and C), the sub-clock oscillator, and the PLL circuit.

Transitions to clock sources which are not in operation are prohibited.

9.2.3 Voltage Regulator Control Register (VRCR)

Address(es): 0008 0200h



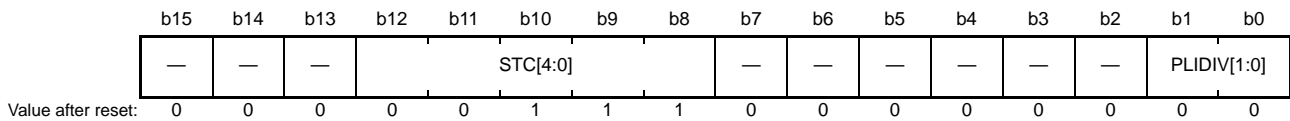
VRCR is an 8-bit readable and writable register.

Set the PRCR.PRC2 bit to 1 (write enabled) before rewriting this register.

After the reset state is released, write 00h to this register before changing the clock source of the system clock.

9.2.4 PLL Control Register (PLLCR)

Address(es): 0008 0028h



Bit	Symbol	Bit Name	Description	R/W
b1, b0	PLIDIV[1:0]	PLL Input Frequency Division Ratio Select	b1 b0 0 0: x1 0 1: x1/2 1 0: x1/4 1 1: Setting prohibited	R/W
b7 to b2	—	Reserved	These bits are read as 0. The write value should be 0.	R/W
b12 to b8	STC[4:0]	Frequency Multiplication Factor Select	b12 b8 0 0 1 1 1: x8 0 1 0 0 1: x10 0 1 0 1 1: x12 0 1 1 1 1: x16 1 0 0 1 1: x20 1 0 1 1 1: x24 1 1 0 0 0: x25 Settings other than above are prohibited.	R/W
b15 to b13	—	Reserved	These bits are read as 0. The write value should be 0.	R/W

Note: • Set the PRCR.PRC0 bit to 1 (write enabled) before rewriting this register.

Writing to the PLLCR is prohibited when the PLLCR2.PLEN bit is 0 (the PLL operates).

PLIDIV[1:0] Bits (PLL Input Frequency Division Ratio Select)

These bits select the frequency division ratio of the PLL clock source.

Set these bits so that the frequency of PLL input signal is within the range of 4 to 12.5 MHz.

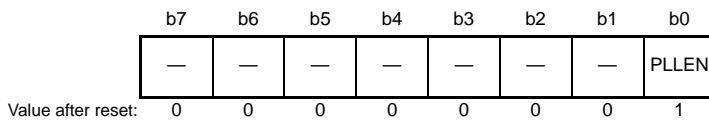
STC[4:0] Bits (Frequency Multiplication Factor Select)

These bits select the frequency multiplication factor of the PLL circuit.

Set these bits so that the output frequency is within the range of the VCO oscillation frequency for the PLL (50 to 100 MHz).

9.2.5 PLL Control Register 2 (PLLCR2)

Address(es): 0008 002Ah



Bit	Symbol	Bit Name	Description	R/W
b0	PLLEN	PLL Stop Control	0: PLL is operating. 1: PLL is stopped.	R/W
b7 to b1	—	Reserved	These bits are read as 0. The write value should be 0.	R/W

Note: • Set the PRCR.PRC0 bit to 1 (write enabled) before rewriting this register.

Set up this register after setting up the PLL wait control register described in section 11, Low Power Consumption.

PLLEN Bit (PLL Stop Control)

This bit runs or stops the PLL circuit.

After the setting of the PLLEN bit has been changed so that the PLL operates, only start using the PLL clock after the PLL clock oscillation stabilization wait time (tPLLWT1 or tPLLWT2) has elapsed.

That is, a fixed time for stabilization is required after the setting for PLL operation. A fixed time is also required for oscillation to stop after the setting to stop PLL operation. Accordingly, take note of the following limitations when starting and stopping PLL operation.

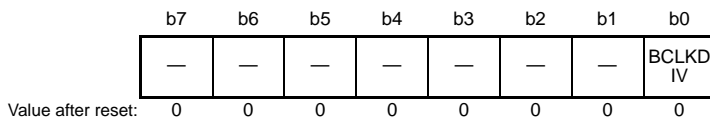
- When restarting the PLL after it has been stopped, allow at least five cycles of the PLL clock as an interval over which it is still stopped.
- Ensure that oscillation by the PLL is stable when making the setting to stop the PLL.
- Regardless of whether or not it is selected as the system clock, ensure that oscillation by the PLL is stable before executing a WAIT instruction to place the chip on software standby mode or deep software standby mode.
- When a transition to software standby mode or deep software standby mode is to follow the setting to stop the PLL, wait for at least two cycles of the PLL clock before executing the WAIT instruction.

Writing 1 to the PLLEN bit (stopping the PLL) is prohibited while the PLL clock is selected by the clock source select bits in system clock control register 3 (SCKCR3.CKSEL[2:0]).

Writing 0 to the PLLEN bit (making the PLL operate) is prohibited when the setting of the operating-power control mode select bits in the operating-power control register (OPCCR.OPCM[2:0]) is for low-speed operating mode 1 or 2.

9.2.6 External Bus Clock Control Register (BCKCR)

Address(es): 0008 0030h



Bit	Symbol	Bit Name	Description	R/W
b0	BCLKDIV	BCLK Pin Output Select	0: BCLK 1: 1/2 BCLK	R/W
b7 to b1	—	Reserved	These bits are read as 0. The write value should be 0.	R/W

Note: • Set the PRCR.PRC0 bit to 1 (write enabled) before rewriting this register.

BCKCR should not be modified in the following cases:

- The operating power control mode transition status flag in the operating power control register (OPCCR.OPCMTSF) is 1 (a transition to operating power control mode in progress)
- The ROM P/E mode entry i bit in the flash P/E mode entry register (FENTRYR.FENTRYi) is 1 (ROM P/E mode, E2 DataFlash P/E mode) (i = 0, 1, D)
- Time period from WAIT instruction execution for a transition to sleep mode, to return from sleep mode to normal operating mode

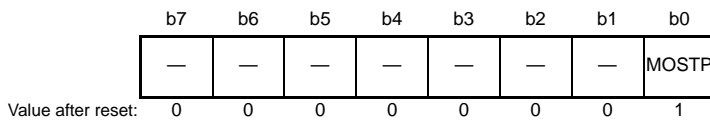
BCLKDIV Bit (BCLK Pin Output Select)

This bit selects the clock signal for output from the BCLK pin.

Either the BCLK clock with the frequency selected by the BCK[3:0] bits in SCKCR or the BCLK clock divided by 2 can be selected.

9.2.7 Main Clock Oscillator Control Register (MOSCCR)

Address(es): 0008 0032h



Bit	Symbol	Bit Name	Description	R/W
b0	MOSTP	Main Clock Oscillator Stop	0: Main clock oscillator is operating. 1: Main clock oscillator is stopped.	R/W
b7 to b1	—	Reserved	These bits are read as 0. The write value should be 0.	R/W

Note: • Set the PRCR.PRC0 bit to 1 (write enabled) before rewriting this register.

Set up this register after setting up the main clock oscillator wait control register described in section 11, Low Power Consumption.

MOSTP Bit (Main Clock Oscillator Stop)

This bit runs or stops the main clock oscillator.

When a crystal resonator is connected to supply the main clock, after changing the MOSTP bit so that the main clock oscillator operates, only use the main clock after the main clock oscillation stabilization wait time (crystal; $t_{\text{MAINOSCWT}}$) has elapsed.

When an external clock is input to supply the main clock, set the MOSCWTCR.MSTS[4:0] bits to 00000b. After changing the MOSTP bit so that the main clock oscillator operates, only use the main clock after the EXTAL external clock input wait time (t_{EXWT}) has elapsed.

For the main clock oscillator, a fixed time is required for oscillation to become stable after the settings for operation have been made. Furthermore, a fixed time is required for oscillation to actually stop after the settings to stop oscillation have been made. Accordingly, take note of the following limitations when starting and stopping operation.

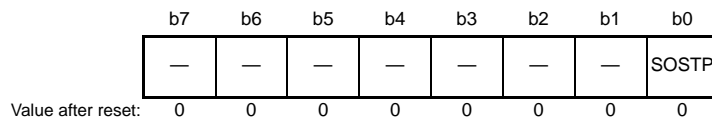
- When restarting the main clock after it has been stopped, allow at least five cycles of the main clock as an interval over which it is still stopped.
- Ensure that oscillation by the main clock oscillator is stable when making the setting to stop the main clock oscillator.
- Regardless of whether or not it is selected as the system clock, ensure that oscillation by the main clock oscillator is stable before executing a WAIT instruction to place the chip on software standby mode or deep software standby mode.
- When a transition to software standby mode or deep software standby mode is to follow the setting to stop the main clock oscillator, wait for at least two cycles of the main clock before executing the WAIT instruction.

Do not set the MOSTP bit to 1 when one of the following conditions is met.

- When the main clock is selected as the clock source for the system clock (SCKCR3.CKSEL[2:0] = 010b)
- When the PLL clock is selected as the clock source for the system clock (SCKCR3.CKSEL[2:0] = 100b)
- When the PLL is operating (PLLCR2.PLEN = 0)

9.2.8 Sub-Clock Oscillator Control Register (SOSCCR)

Address(es): 0008 0033h



Bit	Symbol	Bit Name	Description	R/W
b0	SOSTP	Sub-Clock Oscillator Stop	0: Sub-clock oscillator is operating. 1: Sub-clock oscillator is stopped.	R/W
b7 to b1	—	Reserved	These bits are read as 0. The write value should be 0.	R/W

Note: • Set the PRCR.PRC0 bit to 1 (write enabled) before rewriting this register.

Set up this register after setting up the sub-clock oscillator wait control register described in section 11, Low Power Consumption.

SOSTP Bit (Sub-Clock Oscillator Stop)

This bit runs or stops the sub-clock oscillator.

The SOSTP bit and the sub-clock oscillator control bit in RTC control register 3 (RCR3.RTCEN) controls whether to operate or stop the sub-clock oscillator. If one of these bits is set so as to enable the operation, the sub-clock oscillator runs.

When changing the value of the SOSTP bit or RCR3.RTCEN bit, execute subsequent instructions after reading the bit and checking that its value has actually been updated (refer to (2), Notes on writing to I/O registers, in section 5, I/O Registers).

After the setting of the SOSTP bit or the RCR3.RTCEN bit has been changed so that the sub-clock oscillator operates, only start using the sub-clock after the sub-clock oscillation stabilization wait time ($t_{SUBOSCWT}$) has elapsed.

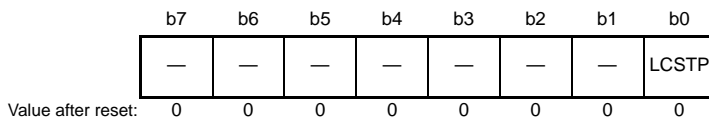
That is, a fixed time for stabilization is required after the setting for sub-clock oscillator operation. A fixed time is also required for oscillation to stop after the setting to stop the oscillator. Accordingly, take note of the following limitations when starting and stopping the oscillator.

- When restarting the sub-clock oscillator after it has been stopped, allow at least five cycles of the sub-clock as an interval over which it is still stopped.
- Ensure that oscillation by the sub-clock oscillator is stable when making the setting to stop the sub-clock oscillator.
- Regardless of whether or not it is selected as the system clock, ensure that oscillation by the sub-clock oscillator is stable before executing a WAIT instruction to place the chip on software standby.
- When a transition to software standby mode or deep software standby mode is to follow the setting to stop the sub-clock oscillator, wait for at least two cycles of the sub-clock oscillator after the setting to stop the sub-clock oscillator and before executing the WAIT instruction.

Writing 1 to the SOSTP bit (stopping the sub-clock oscillator) is prohibited while the sub-clock oscillator is selected by the clock source select bits in system clock control register 3 (SCKCR3.CKSEL[2:0]).

9.2.9 Low-Speed On-Chip Oscillator Control Register (LOCOCR)

Address(es): 0008 0034h



Bit	Symbol	Bit Name	Description	R/W
b0	LCSTP	LOCO Stop	0: LOCO is operating. 1: LOCO is stopped.	R/W
b7 to b1	—	Reserved	These bits are read as 0. The write value should be 0.	R/W

Note: • Set the PRCR.PRC0 bit to 1 (write enabled) before rewriting this register.

LCSTP Bit (LOCO Stop)

This bit runs or stops the LOCO.

After the setting of the LCSTP bit has been changed so that the LOCO operates, only start using the LOCO after the LOCO clock oscillation stabilization wait time (tLOCOWT) has elapsed.

That is, a fixed time for stabilization of oscillation is required after the setting for LOCO operation. A fixed time is also required for oscillation to stop after the setting to stop the oscillator. Accordingly, take note of the following limitations when starting and stopping the oscillator.

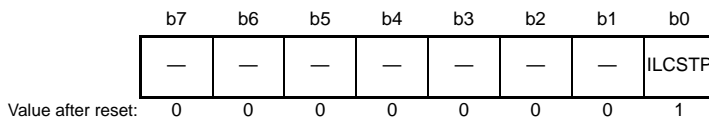
- When restarting the LOCO after it has been stopped, allow at least five cycles of the LOCO as an interval over which it is still stopped.
- Ensure that oscillation by the LOCO is stable when making the setting to stop the LOCO.
- Regardless of whether or not it is selected as the system clock, ensure that oscillation by the LOCO is stable before executing a WAIT instruction to place the chip on software standby.
- When a transition to software standby mode or deep software standby mode is to follow the setting to stop the LOCO, wait for at least three cycles of the LOCO after the setting to stop the LOCO and before executing the WAIT instruction.

Writing 1 to the LCSTP bit (stopping the LOCO) is prohibited while the LOCO is selected by the clock source select bits in system clock control register 3 (SCKCR3.CKSEL[2:0]).

Writing 1 to the LCSTP bit (stopping the LOCO) is prohibited if detection of oscillation stopping is enabled by the oscillation-stop detection-enable bit in the oscillation stop detection control register (OSTDCR.OSTDE).

9.2.10 IWDT-Dedicated On-chip Oscillator Control Register (ILOCOCR)

Address(es): 0008 0035h



Bit	Symbol	Bit Name	Description	R/W
b0	ILCSTP	IWDT-Dedicated On-Chip Oscillator Stop	0: IWDT-dedicated on-chip oscillator is operating. 1: IWDT-dedicated on-chip oscillator is stopped.	R/W
b7 to b1	—	Reserved	These bits are read as 0. The write value should be 0.	R/W

Note: • Set the PRCR.PRC0 bit to 1 (write enabled) before rewriting this register.

When the IWDT start mode select bit in option function select register 0 (OFS0.IWDTSTRT) is 0 (IWDT operating), the setting of this register is invalid; it is valid only when the OFS0.IWDTSTRT bit is set to 1 (IWDT stopped). The ILCSTP bit cannot be changed from 0 (IWDT-dedicated on-chip oscillator operating) to 1 (IWDT-dedicated on-chip oscillator stopped) while ILOCOCR is valid.

ILCSTP Bit (IWDT-Dedicated On-Chip Oscillator Stop)

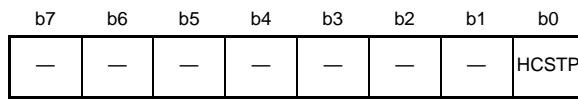
This bit runs or stops the IWDT-dedicated on-chip oscillator.

After the setting of the ILCSTP bit has been changed so that the IWDT-dedicated on-chip oscillator operates, supply of the clock within the LSI only starts after a time of wait for stabilization of the LOCO (tLOCOWT) has elapsed. If the IWDT-dedicated clock is to be used, only start using the oscillator after this wait time (tLOCOWT) has elapsed.

Ensure that oscillation by the IWDT-dedicated on-chip oscillator is stable before executing a WAIT instruction to place the chip on software standby mode or deep software standby mode.

9.2.11 High-Speed On-Chip Oscillator Control Register (HOCOOCR)

Address(es): 0008 0036h



Value after reset: 0 0 0 0 0 0 0 0/1*1

Note 1. The HCSTP bit value after a reset is 0 when the HOCO oscillation enable bit in option function select register 1 (OFS1.HOCOEN) is 0. The HCSTP bit value after a reset is 1 when the OFS1.HOCOEN bit is 1.

Bit	Symbol	Bit Name	Description	R/W
b0	HCSTP	HOCO Stop	0: HOCO is operating. 1: HOCO is stopped.	R/W
b7 to b1	—	Reserved	These bits are read as 0. The write value should be 0.	R/W

Note: • Set the PRCR.PRC0 bit to 1 (write enabled) before rewriting this register.

Set up this register after setting up the HOCO wait control register 2 described in section 11, Low Power Consumption.

HCSTP Bit (HOCO Stop)

This bit runs or stops the HOCO.

When changing the value of the HCSTP bit from 1 to 0 (stopped to operating), supply of the clock signal within the LSI circuit starts after the wait time set by the HOCOWTCR2.HSTS2[3:0] bits has elapsed. Only start using the oscillator after this wait time has elapsed. That is, a fixed time for stabilization of oscillation is required after the setting for HOCO operation. A fixed time is also required for oscillation to stop after the setting to stop the oscillator. Accordingly, take note of the following limitations when starting and stopping the oscillator.

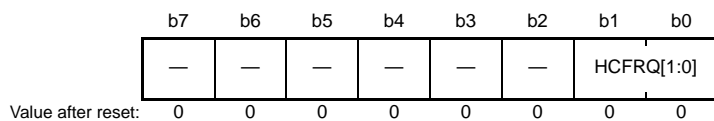
- When restarting the HOCO after it has been stopped, allow at least five cycles of the HOCO as an interval over which it is still stopped.
- Ensure that oscillation by the HOCO is stable when making the setting to stop the HOCO.
- Regardless of whether or not it is selected as the system clock, ensure that oscillation by the HOCO is stable before executing a WAIT instruction to place the chip on software standby mode or deep software standby mode.
- When a transition to software standby mode or deep software standby mode is to follow the setting to stop the HOCO, wait for at least two cycles of the HOCO after the setting to stop the HOCO and before executing the WAIT instruction.

Writing 1 to the HCSTP bit (stopping the HOCO) is prohibited while the HOCO is selected by the clock source select bits (CKSEL[2:0]) in system clock control register 3 (SCKCR3).

Writing 0 to the HCSTP bit (making the HOCO operate) is prohibited when the setting of the operating-power control mode select bits in the operating-power control register (OPCCR.OPCM[2:0]) is for low-speed operating mode 2.

9.2.12 High-Speed On-Chip Oscillator Control Register 2 (HOCOOCR2)

Address(es): 0008 0037h



Bit	Symbol	Bit Name	Description	R/W
b1, b0	HCFRQ[1:0]	HOCO Frequency Setting	b1 b0 0 0: 32 MHz 0 1: 36.864 MHz 1 0: 40 MHz 1 1: 50 MHz	R/W
b7 to b2	—	Reserved	These bits are read as 0. The write value should be 0.	R/W

Note: • Set the PRCR.PRC0 bit to 1 (write enabled) before rewriting this register.

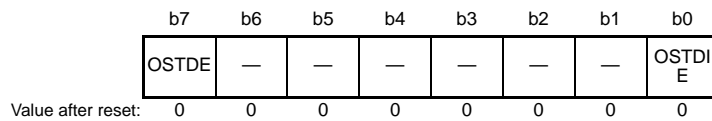
Writing to the HOCOOCR2 register is prohibited while the HOCOOCR.HCSTP bit is 0 (the setting for the HOCO to operate).

HCFRQ[1:0] Bits (HOCO Frequency Setting)

These bits set the frequency of the HOCO.

9.2.13 Oscillation Stop Detection Control Register (OSTDCR)

Address(es): 0008 0040h



Bit	Symbol	Bit Name	Description	R/W
b0	OSTDIE	Oscillation Stop Detection Interrupt Enable	0: The oscillation stop detection interrupt is disabled. Oscillation stop detection is not notified to the POE. 1: The oscillation stop detection interrupt is enabled. Oscillation stop detection is notified to the POE.	R/W
b6 to b1	—	Reserved	These bits are read as 0. The write value should be 0.	R/W
b7	OSTDE	Oscillation Stop Detection Function Enable	0: Oscillation stop detection function is disabled. 1: Oscillation stop detection function is enabled.	R/W

Note: • Set the PRCR.PRC0 bit to 1 (write enabled) before rewriting this register.

OSTDIE Bit (Oscillation Stop Detection Interrupt Enable)

If the oscillation-stop detection flag in the oscillation-stop detection status register (OSTDSR.OSTDF) requires clearing, do this after clearing the OSTDIE bit to 0. Wait for at least two cycles of PCLKB before again setting the OSTDIE bit to 1. According to the number of cycles for access to read a given I/O register, wait time longer than two cycles of PCLKB may have to be secured.

OSTDE Bit (Oscillation Stop Detection Function Enable)

This bit enables or disables the oscillation stop detection function.

After this function is enabled, t_{dr} (see Table 42.73, Oscillation Stop Detection Circuit Characteristics) is required before stable operation starts.

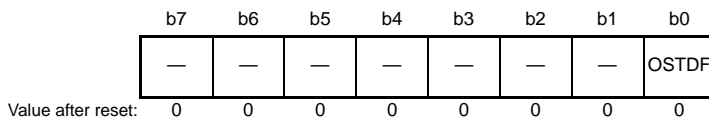
When the OSTDE bit is 1 (oscillation stop detection function enabled), the LOCO stop bit (LOCOCR.LCSTP) is cleared to 0 and the LOCO operation is started. The LOCO cannot be stopped while the oscillation stop detection function is enabled; writing 1 to the LOCOCR.LCSTP bit (LOCO stopped) is invalid.

When the oscillation stop detection flag in the oscillation stop detection status register (OSTDSR.OSTDF) is 1 (main clock oscillation stop detected), writing 0 to the OSTDE bit is invalid.

When the OSTDE bit is 1, a transition cannot be made to software standby mode or deep software standby mode. To make a transition to software standby mode or deep software standby mode, execute the WAIT instruction with the OSTDE bit being 0.

9.2.14 Oscillation Stop Detection Status Register (OSTDSR)

Address(es): 0008 0041h



Bit	Symbol	Bit Name	Description	R/W
b0	OSTDF	Oscillation Stop Detection Flag	0: The main clock oscillation stop has not been detected. 1: The main clock oscillation stop has been detected.	R/(W) *1
b7 to b1	—	Reserved	These bits are read as 0. Writing to these bits has no effect.	R

Note: • Set the PRCR.PRC0 bit to 1 (write enabled) before rewriting this register.

Note 1. This bit can only be set to 0.

OSTDF Flag (Oscillation Stop Detection Flag)

This bit is a flag to indicate the main clock status. When the OSTDF flag is 1, it indicates that the main clock oscillation stop has been detected.

Once the main clock oscillation stop is detected, the OSTDF flag is not cleared to 0 even though the main clock oscillation is restarted. The OSTDF flag is cleared to 0 by reading 1 from the bit and then writing 0. At least 3 ICLK cycles of wait time is necessary between writing 0 to the OSTDF flag and reading the OSTDF flag as 0. If the OSTDF flag is cleared to 0 while the main clock oscillation is stopped, the OSTDF flag becomes 0 and then returns to 1.

When the main clock oscillator is selected by the clock source select bits in system clock control register 3 (SCKCR3.CKSEL[2:0]) (010b or 100b), the OSTDF flag cannot be modified to 0. The OSTDF flag should be set to 0 after switching the clock source to other sources than the main clock oscillator.

[Setting condition]

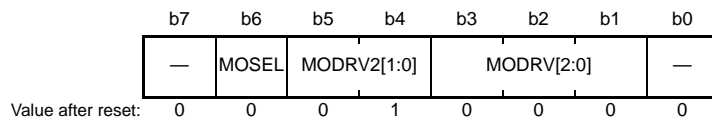
- The main clock oscillation is stopped with the OSTDCR.OSTDE bit being 1 (oscillation stop detection function enabled).

[Clearing condition]

- 1 is read and then 0 is written when the SCKCR3.CKSEL[2:0] bits are neither 010b.

9.2.15 Main Clock Oscillator Forced Oscillation Control Register (MOFCR)

Address(es): 0008 C293h



Bit	Symbol	Bit Name	Description	R/W
b0	—	Reserved	This bit is read as 0. The write value should be 0.	R/W
b3 to b1	MODRV[2:0]	Main Clock Oscillator Drive Capability Switch	b3 b1 0 0 0: Other than 16-MHz to 20-MHz lead type ceramic resonator 1 1 1: 16-MHz to 20-MHz lead type ceramic resonator Settings other than the above are prohibited.	R/W
b5, b4	MODRV2[1:0]	Main Clock Oscillator Drive Capability Switch 2	b5 b4 0 1: 1 MHz to 8 MHz 1 0: 8.1 MHz to 15.9 MHz 1 1: 16 MHz to 20 MHz Settings other than the above are prohibited.	R/W
b6	MOSEL	Main Clock Oscillator Switch	0: Resonator 1: External oscillator input	R/W
b7	—	Reserved	This bit is read as 0. The write value should be 0.	R/W

Note: • Set the PRCR.PRC1 bit to 1 (write enabled) before rewriting this register.

The EXTAL/XTAL pin is also used as a port. In the initial setting state, the pin is set as a port.

MODRV[2:0] Bits (Main Clock Oscillator Drive Capability Switch)

These bits select the drive capability of the main clock oscillator.

MODRV2[1:0] Bits (Main Clock Oscillator Drive Capability Switch 2)

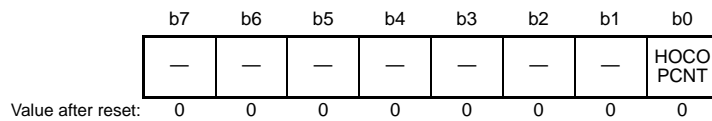
These bits select the drive capability of the main clock oscillator.

MOSEL Bit (Main Clock Oscillator Switch)

This bit selects the oscillation source of the main clock oscillator.

9.2.16 High-Speed On-Chip Oscillator Power Supply Control Register (HOCOPCR)

Address(es): 0008 C294h



Bit	Symbol	Bit Name	Description	R/W
b0	HOCOPCNT	High-Speed On-Chip Oscillator Power Supply Control	0: Turns the power supply of the HOCO on. 1: Turns the power supply of the HOCO off.	R/W
b7 to b1	—	Reserved	These bits are read as 0. The write value should be 0.	R/W

Note: • Set the PRCR.PRC1 bit to 1 (write enabled) before rewriting this register.

HOCOPCNT Bit (High-Speed On-Chip Oscillator Power Supply Control)

This bit controls the power supply for the HOCO.

When this bit is set to 0, the power supply of the HOCO is turned on, enabling oscillation.

When this bit is set to 1, the power supply of the HOCO is turned off, reducing power consumption.

When setting the HOCOPCNT bit to 1, set the HOCO stop bit in the high-speed on-chip oscillator control register (HOCOCCR.HCSTP) to 1 (HOCO stopped).

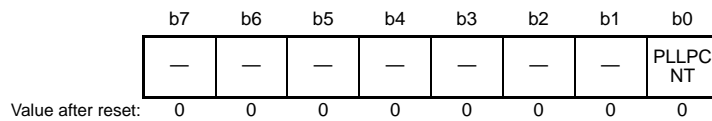
After the HOCOPCNT bit is changed from 1 to 0, oscillation settling time is required before the HOCOCCR.HCSTP bit is set to 0. For details, see section 42, Electrical Characteristics.

Do not change the value of the HOCOPCNT bit in the following cases:

- When the HOCO is selected by the clock source select bits in system clock control register 3 (SCKCR3.CKSEL[2:0]).
- When the setting of the operating-power control mode select bits in the operating-power control register (OPCCR.OPCM[2:0]) is for high-speed operating mode, middle-speed operating mode 2A, middle-speed operating mode 2B, or low-speed operating mode 1 or low-speed operating mode 2. The value of the HOCOPCNT bit can be changed only when the setting is for middle-speed operating mode 1A or middle-speed operating mode 1B.

9.2.17 PLL Power Control Register (PLLPCR)

Address(es): 0008 C295h



Bit	Symbol	Bit Name	Description	R/W
b0	PLLPCNT	PLL Power Control	0: Powered on 1: Powered off	R/W
b7 to b1	—	Reserved	These bits are read as 0. The write value should be 0.	R/W

Note: • Set the PRCR.PRC1 bit to 1 (write enabled) before rewriting this register.

The PLLPCR register is only present in chip version B.

PLLPCNT Bit (PLL Power Control)

This bit controls the supply of power to the PLL.

Setting the bit to 0 turns on power to the PLL and PLL oscillation becomes possible.

Setting the bit to 1 stops the supply of power to the PLL and reduces power consumption.

When the bit is to be set to 1, set the PLEN bit in register PLLCR2 beforehand.

When the value of the bit is changed from 1 to 0, a period of waiting before clearing the PLEN bit to 0 is required.

For details, refer to section 42, Electrical Characteristics.

Do not write a new value to this bit while the PLL is selected as the clock source by the setting in register SCKCR3.

Furthermore, do not overwrite this bit while high-speed operating mode, middle-speed operating mode 2A, middle-speed operating mode 2B, low-speed operating mode 1, or low-speed operating mode 2 is selected by the setting in register OPCCR. The value of the PLLPCNT bit can be changed only when the setting is for middle-speed operating mode 1A or middle-speed operating mode 1B.

9.3 Main Clock Oscillator

There are two ways of supplying the clock signal from the main clock oscillator: connecting an oscillator or the input of an external clock signal.

9.3.1 Connecting a Crystal Resonator

Figure 9.2 shows an example of connecting a crystal resonator.

A damping resistor R_d should be added, if necessary. Since the resistor values vary depending on the resonator and the oscillation drive capability, use values recommended by the resonator manufacturer. If use of an external feedback resistor (R_f) is directed by the resonator manufacturer, insert an R_f between EXTAL and XTAL by following the instruction.

When connecting a resonator to supply the clock, the frequency of the resonator should be in the frequency range of the resonator for the main clock oscillator described in Table 9.1.

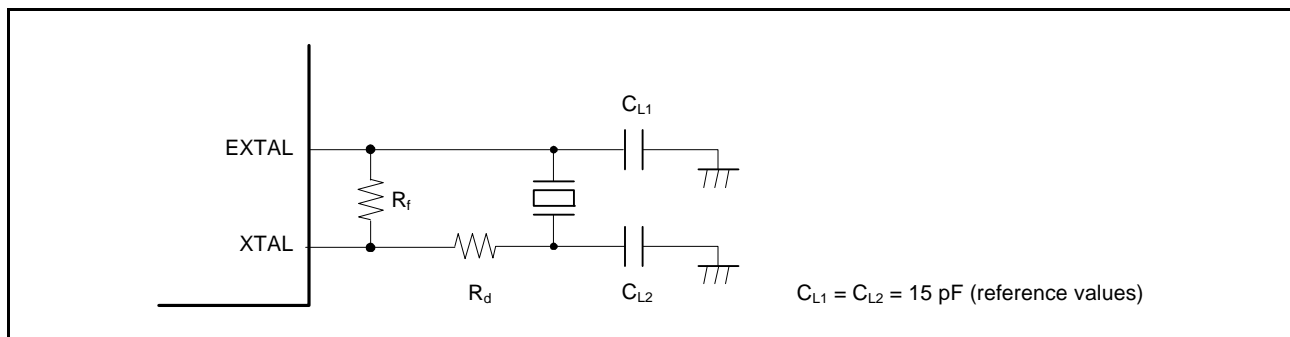


Figure 9.2 Example of Crystal Resonator Connection

Table 9.3 Damping Resistance (Reference Values)

Frequency (MHz)	1	8	16	20
R_d (Ω)	750	0	0	0

Figure 9.3 shows an equivalent circuit of the crystal resonator. Use a crystal resonator that has the characteristics shown in Table 9.4.

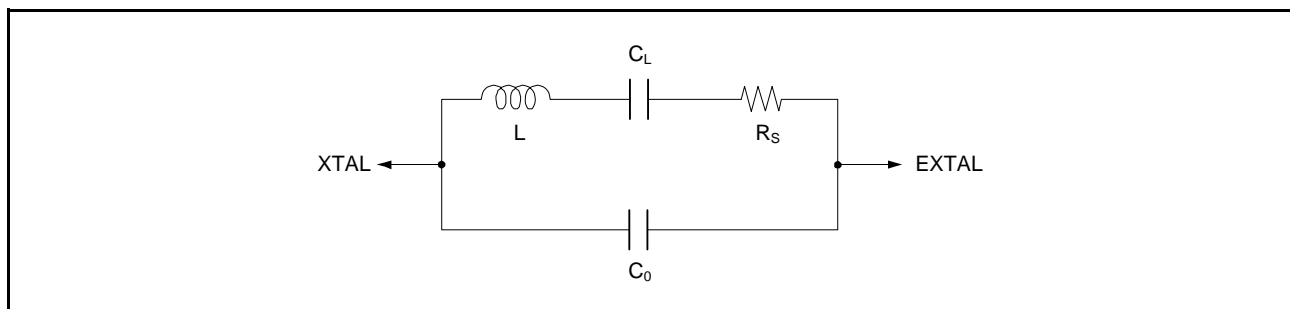


Figure 9.3 Equivalent Circuit of Crystal Resonator

Table 9.4 Crystal Resonator Characteristics (Reference Values)

Frequency (MHz)	1	8	16	20
R_S max (Ω)	480	14	16.8	8.1
C_0 max (pF)	3	2.2	3	3.5

9.3.2 External Clock Input

Figure 9.4 illustrates connection of an external clock. Set the MOFCR.MOSEL bit to 1 if operation is to be driven by an external clock. In this case, the XTAL pin will be in the Hi-Z state.

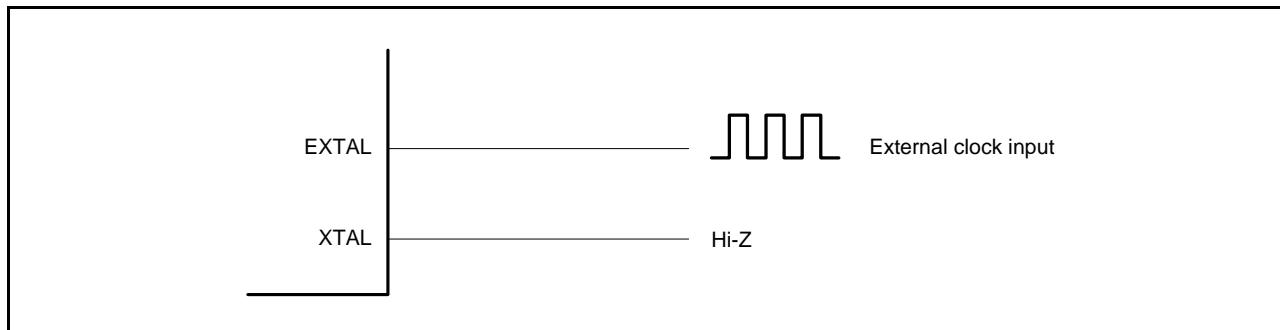


Figure 9.4 Connection Example of External Clock

9.3.3 Notes on the External Clock Input

The frequency of the external clock input can only be changed while the main clock oscillator is stopped. Do not change the frequency of the external clock input while the setting of the main clock oscillator stop bit (MOSCCR.MOSTP) is 0 (making the main clock oscillator run).

9.4 Sub-Clock Oscillator

The only way of supplying the clock signal from the sub-clock oscillator is connecting a crystal resonator.

9.4.1 Connecting 32.768-kHz Crystal Resonator

To supply a clock to the sub-clock oscillator, connect a 32.768-kHz crystal resonator, as shown in Figure 9.5.

A damping resistor R_d should be added, if necessary. Since the resistor values vary depending on the resonator and the oscillation drive capability, use values recommended by the resonator manufacturer. If use of an external feedback resistor (R_f) is directed by the resonator manufacturer, insert an R_f between XCIN and XCOU by following the instruction. When connecting a resonator to supply the clock, the frequency of the resonator should be in the frequency range of the resonator for the sub-clock oscillator described in Table 9.1.

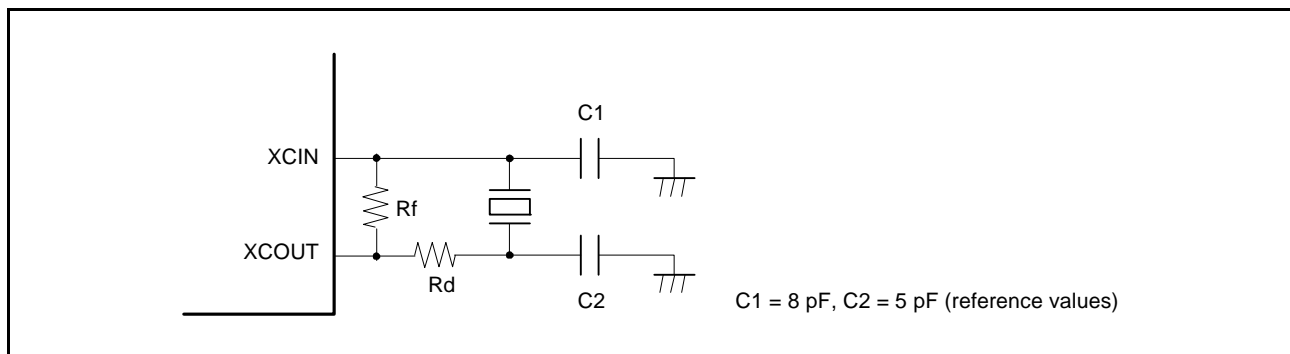


Figure 9.5 Connection Example of 32.768-kHz Crystal Resonator

Figure 9.6 shows an equivalent circuit for the 32.768-kHz crystal resonator. Use a crystal resonator that has the characteristics listed in Table 9.5.

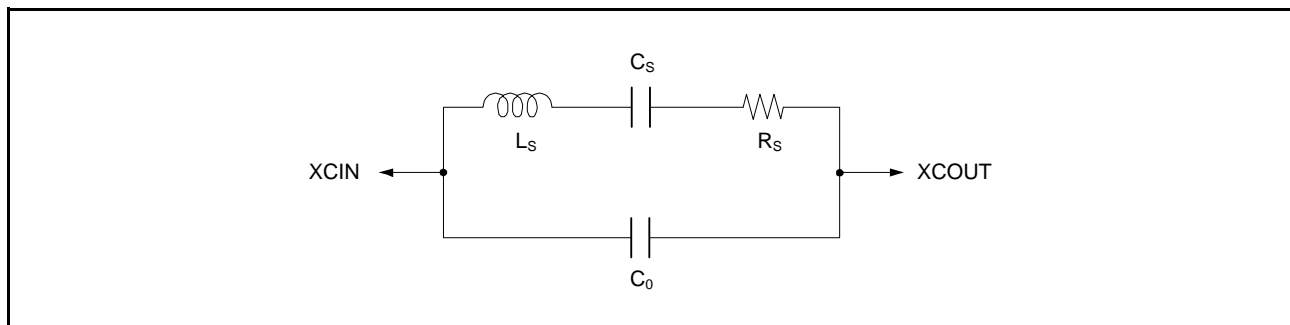


Figure 9.6 Equivalent Circuit for Crystal Resonator

Table 9.5 Crystal Resonator Characteristics (Reference Values)

Frequency (kHz)	32.768 (Low CL)	32.768 (Standard CL)
R_S max (Ω)	37	35
C_0 max (pF)	0.9	2.0

9.4.2 Handling of Pins when Sub-Clock is not Used

If the sub-clock is not in use, connect the XCIN pin to VSS and leave the XCOUT pin open as shown in Figure 9.7. Set the sub-clock oscillator stop bit (SOSCCR.SOSTP) to 1 (stopping the sub-clock oscillator) and the sub-clock oscillator control bit in RTC control register 3 (RCR3.RTCEN) to 0 (stopping the sub-clock oscillator). The state of the sub-clock control circuit will be undefined after a cold start. Accordingly, be sure to set these bits after a cold start.

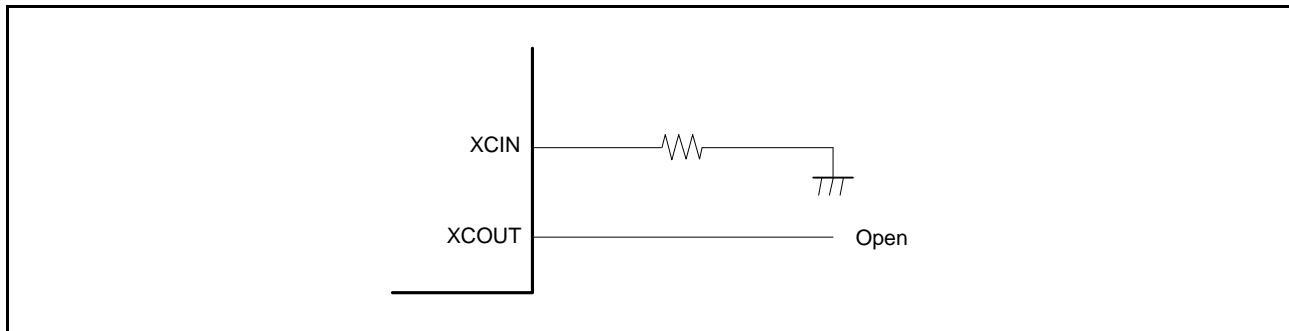


Figure 9.7 Pin Handling when Sub-Clock is not Used

9.5 Oscillation Stop Detection Function

9.5.1 Oscillation Stop Detection and Operation after Detection

The oscillation stop detection function is used to detect the main clock oscillator stop and to supply LOCO clock pulses from the low-speed on-chip oscillator as the system clock source instead of the main clock or PLL clock.

An oscillation stop detection interrupt request can be generated when an oscillation stop is detected. In addition, the MTU output can be forcedly driven to the high-impedance on the detection. For details, see section 21, Multi-Function Timer Pulse Unit 2 (MTU2a) and section 22, Port Output Enable 2 (POE2a).

In the RX210 Group, the main clock oscillation stop is detected when the input clock remains to be 0 or 1 for a certain period, for example, due to a malfunction of the main clock oscillator (see section 42, Electrical Characteristics).

When an oscillation stop is detected, the main clock or PLL clock selected by the clock source select bits (SCKCR3.CKSEL[2:0]) is switched to the LOCO clock by the corresponding selectors in the former stage. Therefore, if an oscillation stop is detected with the main clock or PLL clock selected as the system clock source, the system clock source is switched to the LOCO clock without a change of CKSEL[2:0].

Switching between the main clock and LOCO clock or between the PLL clock and LOCO clock is controlled by the oscillation stop detection flag (OSTDSR.OSTDF). The clock source is switched to the low-speed clock when the OSTDF flag is 1, and is switched to the main clock or PLL clock again when the OSTDF flag is cleared to 0. At this time, if the main clock or PLL clock is selected with the CKSEL[2:0] bits, the OSTDF flag cannot be cleared to 0. To switch the clock source to the main clock or PLL clock again after the oscillation stop detection, set the CKSEL[2:0] bits to a clock source other than the main clock or PLL clock and clear the OSTDF flag to 0. After that, check that the OSTDF flag is not 1, and then set the CKSEL[2:0] bits to the main clock or PLL clock after the specified oscillation settling time has elapsed.

After a reset is released, the main clock oscillator is stopped and the oscillation stop detection function is disabled. To enable the oscillation stop detection function, activate the main clock oscillator and write 1 to the oscillation stop detection function enable bit (OSTDCR.OSTDE) after a specified oscillation settling time has elapsed.

The oscillation stop detection function is provided against the main clock stop by an external cause. Therefore, the oscillation stop detection function should be disabled before the main clock oscillator is stopped by the software or a transition is made to software standby mode.

The clocks that are switched to the LOCO clock by the oscillation stop detection are: the main clock, PLL clock, and CAC main clock (CACMCLK), which are provided as the system clock sources.

The system clock (ICLK) frequency during the LOCO clock operation is specified by the LOCO oscillation frequency and the division ratio set by the system clock select bits (SCKCR.ICK[3:0])

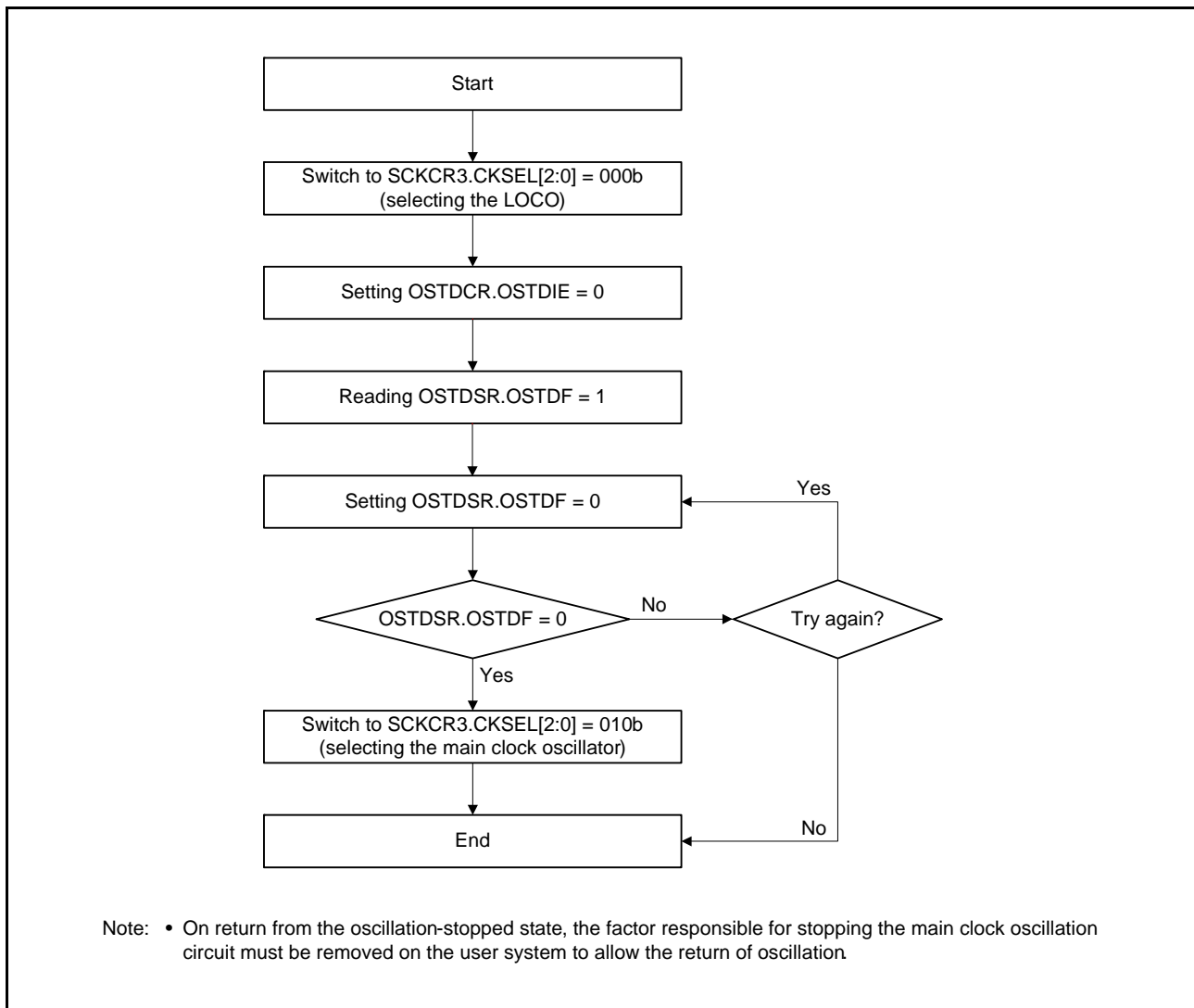


Figure 9.8 Flow of Recovery from Detection of Oscillator Stop

9.5.2 Oscillation Stop Detection Interrupts

An oscillation-stop detection interrupt (OSTDI) will be generated if the oscillation-stop detection flag (OSTDSR.OSTDF) becomes 1 while the oscillation-stop detection interrupt enable bit in the oscillation stop detection control register (OSTDCR.OSTDIE) is 1 (enabling interrupt generation on detection). At this time, the main clock oscillator stop is notified to the port output enable 2 (POE). On accepting the notification of the oscillation stop, the POE sets the OSTST high-impedance flag in input level control/status register 3 (ICSR3.OSTSTF) to 1. After the oscillation stop is detected, wait for at least 10 cycles of PCLK before writing to this ICSR3.OSTSTF flag. When the OSTDSR.OSTDF flag requires clearing, do so after clearing the oscillation-stop detection interrupt enable bit in the oscillation stop detection control register (OSTDCR.OSTDIE). Wait for at least two cycles of PCLKB clock before again setting the OSTDCR.OSTDIE bit to 1. According to the number of cycles for access to read a given I/O register, wait time longer than two cycles of PCLKB may have to be secured.

The oscillation stop detection interrupt is a non-maskable interrupt. Since non-maskable interrupts are disabled in the initial state after a reset release, enable the non-maskable interrupts by the software before using oscillation stop detection interrupts. For details, see section 14, Interrupt Controller (ICUb).

9.6 PLL Circuit

The PLL circuit has a function to multiply the frequency from the oscillator.

9.7 Internal Clock

Clock sources of internal clock signals are the main clock, sub-clock, HOCO clock, LOCO clock, PLL clock, and IWDT-dedicated clock. The internal clocks listed below are produced from these sources.

- (1) Operating clock of the CPU, DMAC, DTC, ROM, and RAM: System clock (ICLK)
- (2) Operating clock of peripheral modules: Peripheral module clock (PCLKB and PCLKD)
- (3) Operating clock of the FlashIF: FlashIF clock (FCLK)
- (4) Clock for the external bus controller and external pin output: External bus clock (BCLK)
- (5) Operating clock for the CAC: CAC clock (CACCLK)
- (6) Operating clock for the RTC: RTC-dedicated sub-clock (RTCSCLK)
- (7) Operating clock for the IWDT: IWDT-dedicated clock (IWDTCLK)

Frequencies of the internal clocks are set by the combination of the division ratios selected by the FCK[3:0], ICK[3:0], BCK[3:0], PCKB[3:0], and PCKD[3:0] bits in SCKCR, the clock source selected by the CKSEL[2:0] bits in SCKCR3, and the frequency of the PLL circuit selected by the STC[4:0] and PLIDIV[1:0] bits in PLLCR. If the value of any of these bits is changed, subsequent operation will be at the frequency determined by the new value.

9.7.1 System Clock

The system clock (ICLK) is used as the operating clock of the CPU, DMAC, DTC, ROM, and RAM.

The ICLK frequency is specified by the ICK[3:0] bits in SCKCR, and the CKSEL[2:0] bits in SCKCR3, and the STC[4:0] and PLIDIV[1:0] bits in PLLCR.

9.7.2 Peripheral Module Clock

The peripheral module clocks (PCLKB and PCLKD) are the operating clocks for use by peripheral modules.

The PCLKB and PCLKD frequencies are specified by the PCKB[3:0] and PCKD[3:0] bits in SCKCR, the CKSEL[2:0] bits in SCKCR3, and the STC[4:0] and PLIDIV[1:0] bits in PLLCR.

The peripheral module clock used as the operating clock is PCLKD for S12AD and PCLKB for other modules.

9.7.3 FlashIF Clock

The flash-interface clock (FCLK) is used as the operating clock for the flash-memory interfaces. That is, FCLK is used for the ROM, programming and erasure of the E2 DataFlash, and reading from the E2 DataFlash.

The FCLK frequency is specified by the FCK[3:0] bits in SCKCR, the CKSEL[2:0] bits in SCKCR3, and the STC[4:0] and PLIDIV[1:0] bits in PLLCR.

9.7.4 External Bus Clock

The external bus clock (BCLK) is an operating clock for the external bus controller. It is also output externally from the BCLK pin for the external connection bus. When the external bus is enabled, P53 that is function-multiplexed with the BCLK pin cannot be used as an I/O port.

BCLK can be output from the BCLK pin by setting the SCKCR.PSTOP1 bit to 0 and setting the external bus enable bit in the system control register 0 (SYSCR0.EXBE) to 1. Make sure that modification of the SYSCR0.EXBE bit to 1 must always be performed while the PSTOP1 bit in SCKCR is 1.

When the BCKCR.BCLKDIV bit is set to 1, the BCLK clock divided by 2 is output from the BCLK pin.

The BCLK frequency is specified by the BCK[3:0] bits in SCKCR, the CKSEL[2:0] bits in SCKCR3, and the STC[4:0] and PLIDIV[1:0] bits in PLLCR.

9.7.5 CAC Clock

The CAC clock (CACCLK) is an operating clock for the CAC module.

The CACCLK clocks include CACMCLK which is generated by the main clock oscillator, CACSCLK which is generated by the sub-clock oscillator, CACHCLK which is generated by the high-speed on-chip oscillator, CACLCLK which is generated by the low-speed on-chip oscillator, and CACILCLK which is generated by the IWDT-dedicated on-chip oscillator.

9.7.6 RTC-Dedicated Clock

The RTC-dedicated clock (RTCSCLK) is the operating clock for the RTC.

RTCSCLK is generated by the sub-clock oscillator.

9.7.7 IWDT-Dedicated Clock

The IWDT-dedicated clock (IWDTCLK) is the operating clock for the IWDT.

IWDTCLK is internally generated by the IWDT-dedicated on-chip oscillator.

9.8 Usage Notes

9.8.1 Notes on Clock Generation Circuit

- (1) The frequencies of the system clock (ICLK), peripheral module clocks (PCLKB and PCLKD), and FlashIF clock (FCLK) supplied to each module change according to the settings of SCKCR. Each frequency should meet the following:

Select each frequency that is within the operation guaranteed range of clock cycle time (tcyc) specified in AC characteristics of electrical characteristics.

The frequencies must not exceed the ranges listed in Table 9.1.

The peripheral modules operate on the PCLKB and PCLKD. Note therefore that the operating speed of modules such as the timer and SCI varies before and after the frequency is changed.

- (2) The following relation between the frequencies of the system clock (ICLK) and external bus clock (BCLK) must hold.

$$\text{ICLK} \geq \text{BCLK}$$

When BCLK is not to be used, specify either one of the frequency division settings for ICLK and PCLKB, whichever is greater, in the SCKCR.BCK bit. If this setting causes BCLK to exceed 25 MHz, however, specify the maximum frequency division setting that will never cause BCLK to exceed 25 MHz in the SCKCR.BCK bit.

- (3) Do not change the clock frequency during external bus access. Furthermore, when access via the external bus is to start after a change to the clock frequency, only start access via the bus after confirming that the change to the frequencies has been completed.
- (4) To secure the processing after the clock frequency is changed, modify the pertinent clock control register to change the frequency, and then read the value from the register, and then perform the subsequent processing.
- (5) When changing the source of the system clock while the CPU is running on the low-speed on-chip oscillator after a reset, be sure to write 00h to the VRCR register before writing any setting data to the SCKCR3 register.
[Write procedure]
 - 1) Enabling writing to the registers associated with the PRCR.PRC2 bit
Write A504h to the protect register (PRCR).
 - 2) Writing 00h to address VRCR register
 - 3) Disabling writing to the registers associated with the PROCR.PRC2 bit
Write A500h to the protect register (PRCR).

9.8.2 Notes on Resonator

Since various resonator characteristics relate closely to the user's board design, adequate evaluation is required on the user side before use, referencing the resonator connection example shown in this section. The circuit constants for the resonator depend on the resonator to be used and the stray capacitance of the mounting circuit. Therefore, the circuit constants should be determined in full consultation with the resonator manufacturer. The voltage to be applied between the resonator pins must be within the absolute maximum rating.

9.8.3 Notes on Board Design

When using a crystal resonator, place the resonator and its load capacitors as close to the XTAL and EXTAL pins as possible. Other signal lines should be routed away from the oscillation circuit as shown in Figure 9.9 to prevent electromagnetic induction from interfering with correct oscillation.

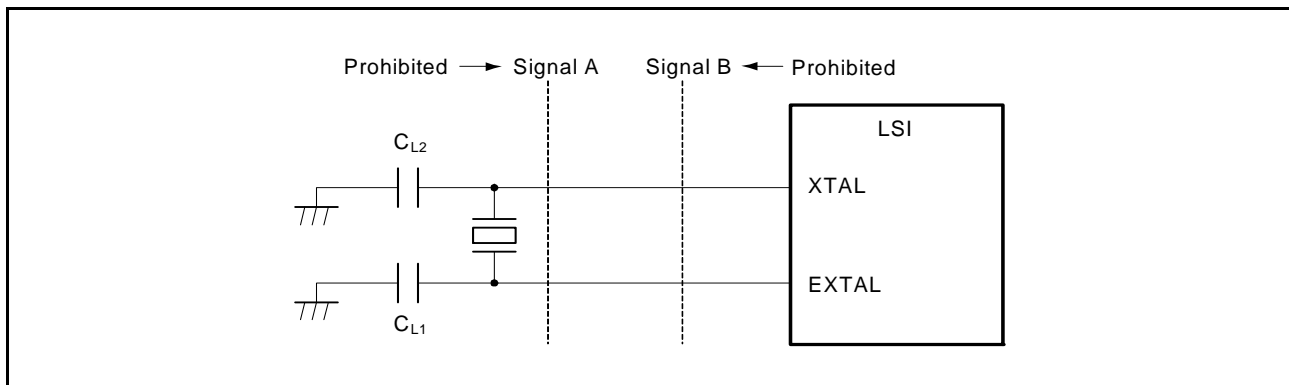


Figure 9.9 Notes on Board Design for Oscillation Circuit (Applies to the Sub-Clock Oscillator, in Case of the Main Clock Oscillator)

9.8.4 Notes on Resonator Connect Pin

When the main clock is not used, the EXTAL and XTAL pins can be used as general ports P36 and P37. When they are used as the general ports, the main clock should be stopped (MOSCCR.MOSTP should be set to 1. However, with the system using the main clock, the EXTAL and XTAL pins should not be used as the general ports.

If the main clock is used, P36 and P37 should not be set to be output.

9.8.5 Notes on Sub-Clock

The sub-clock can be used as the system clock, as the count source for the realtime clock, or as both. Take note of the following limitations and points for caution regarding the settings, including when the sub-clock is not in use.

- With regard to making the sub-clock oscillator run or stop, setting either the sub-clock oscillator stop bit in the sub-clock oscillator control register (SOSCCR.SOSTP) or the sub-clock oscillator control bit in RTC control register 3 (RCR3.RTCEN) will make the oscillator run.
- To use the sub-clock as the system clock and as the count source for the realtime clock simultaneously, after the sub-clock starts oscillating and the oscillation stabilization wait time has elapsed, the SOSWTCR.SSTS[4:0] bits must be set to 00000b. To set these bits, perform the initial setting procedure below. After setting the SSTS[4:0] bits, perform the clock setting procedure shown in section 26.3.2.

Initial setting procedure

- (1) Wait for the oscillation stabilization wait time of the sub-clock*¹ to elapse.
- (2) Set the SOSCCR.SOSTP bit to 1.
- (3) Read the SOSCCR.SOSTP bit and confirm that it is 1.
- (4) Set the RCR3.RTCEN bit to 0.
- (5) Read the RCR3.RTCEN bit and confirm that it is 0.
- (6) Wait for at least five cycles of the sub-clock to elapse.
- (7) Set the RCR3.RTCDV[2:0] bits.
If the RCR3.RTCDV[2:0] bits are set in this step, they do not need to be reset in section 26.3.2, Clock Setting Procedure.
- (8) Set the SOSWTCR.SSTS[4:0] bits to specify the wait time necessary for sub-clock oscillation.
- (9) Set the SOSCCR.SOSTP bit to 0 (sub-clock oscillator is operating).
- (10) Wait for the oscillation stabilization wait time of the sub-clock*¹ to elapse.
- (11) Read the SOSCCR.SOSTP bit and confirm that it has been rewritten to 0, then set the RCR3.RTCEN bit to 1 (sub-clock oscillator is operating).
- (12) Read the RCR3.RTCEN bit and confirm that it has been rewritten to 1, then set the SOSCCR.SOSTP bit to 1.

- (13) Read the SOSCCR.SOSTP bit and confirm that it has been rewritten to 1, then wait for at least five cycles of the sub-clock to elapse.
- (14) Set the SOSCWTCR.SSTS[4:0] bits to 00000b.
- (15) Set the SOSCCR.SOSTP bit to 0.
- (16) Wait for at least two cycles of the sub-clock to elapse.
- (17) Read the SOSCCR.SOSTP bit and confirm that it has been rewritten.

Note 1. For details on the oscillation stabilization wait time of the sub-clock, see section 11.2.8, Sub-Clock Oscillator Wait Control Register (SOSCWTCR).

- Regardless of the RCR3.RTCEN bit setting, wait until the oscillator stabilization wait time elapses before rewriting the SOSCCR.SOSTP bit to 0 (sub-clock oscillator is operating).
- Since the sub-clock control circuit is in an unstable state after a cold start, it must be initialized regardless of whether or not the sub-clock is in use. The sub-clock is initialized by setting the SOSCCR.SOSTP bit to 1 and the RCR3.RTCEN bit to 0 (sub-clock oscillator is stopped). See section 26.2.19, RTC Control Register 3 (RCR3), for instructions to initialize the RCR3.RTCEN bit.
Although the sub-clock oscillator pins are not available in 48-pin LQFP packages, initialize the sub-clock control circuit in the same way.
- The RCR3.RTCDV[2:0] bits must also be set when operating the sub-clock oscillator. Set these bits while the sub-clock oscillator is stopped. Do not rewrite these bits while the sub-clock oscillator is operating.
- When successively rewriting the SOSCCR.SOSTP bit followed by the RCR3.RTCEN bit or vice versa, confirm that the first bit rewrite was completed successfully before rewriting the second bit.

10. Clock Frequency Accuracy Measurement Circuit (CAC)

The clock frequency accuracy measurement circuit (CAC) monitors the clock frequency based on a reference signal input to the LSI externally or another clock source, and generates interrupts when the setting range is exceeded.

10.1 Overview

Table 10.1 shows the specifications of the CAC and Figure 10.1 shows a block diagram of the CAC.

Table 10.1 Specifications of CAC

Item	Description
Clock frequency measurement	The frequency of the following clocks can be measured. <ul style="list-style-type: none"> • Clock output from main clock oscillator (main clock) • Clock output from sub-clock oscillator (sub-clock) • Clock output from high-speed on-chip oscillator (HOCO clock) • Clock output from low-speed on-chip oscillator (LOCO clock) • Clock output from IWDT-dedicated on-chip oscillator (IWDTCLK clock)
Selectable function	Digital filter function
Interrupt sources	<ul style="list-style-type: none"> • Measurement end interrupt • Frequency error interrupt • Overflow interrupt
Power consumption reduction function	Module stop state can be set.

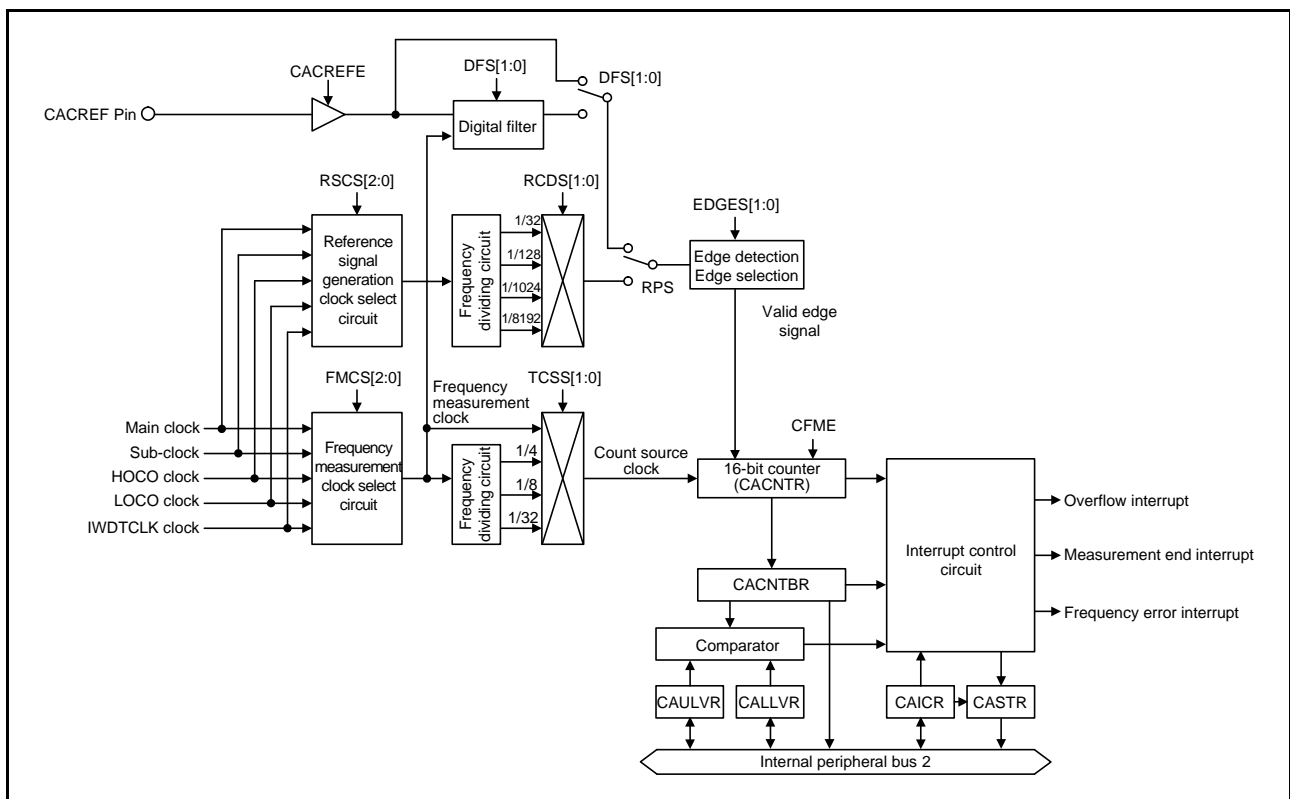


Figure 10.1 Block Diagram of CAC

Table 10.2 shows the pin configuration of the CAC.

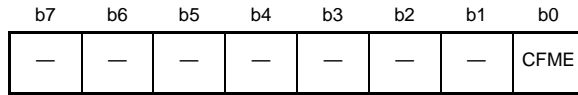
Table 10.2 Pin Configuration of CAC

Pin Name	I/O	Function
CACREF	Input	Clock frequency accuracy measurement circuit input pin

10.2 Register Descriptions

10.2.1 CAC Control Register 0 (CACR0)

Address(es): 0008 B000h



Value after reset: 0 0 0 0 0 0 0 0

Bit	Symbol	Bit Name	Description	R/W
b0	CFME	Clock Frequency Measurement Enable	0: Clock frequency measurement is disabled. 1: Clock frequency measurement is enabled.	R/W
b7 to b1	—	Reserved	These bits are read as 0. The write value should be 0.	R/W

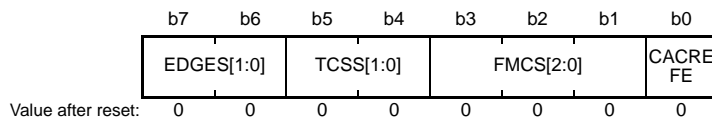
CFME Bit (Clock Frequency Measurement Enable)

When this bit is 1, clock frequency measurement is enabled.

After a new value is written to this bit, reflecting the value in the internal circuitry takes a certain amount of time. Note that writing to this bit is ineffective if a previously written value has not yet been reflected in the internal circuitry. Read the bit to confirm whether a value written has actually been reflected.

10.2.2 CAC Control Register 1 (CACR1)

Address(es): 0008 B001h



Bit	Symbol	Bit Name	Description	R/W
b0	CACREFE	CACREF Pin Input Enable	0: CACREF pin input is disabled. 1: CACREF pin input is enabled.	R/W
b3 to b1	FMCS[2:0]	Frequency Measurement Clock Select	[Chip version A] b3 b1 0 0 1: Output clock of sub-clock oscillator 0 1 0: Output clock of high-speed on-chip oscillator 0 1 1: Output clock of low-speed on-chip oscillator 1 0 0: Output clock of IWDT-dedicated on-chip oscillator [Chip versions B and C] b3 b1 0 0 0: Output clock of main clock oscillator 0 0 1: Output clock of sub-clock oscillator 0 1 0: Output clock of high-speed on-chip oscillator 0 1 1: Output clock of low-speed on-chip oscillator 1 0 0: Output clock of IWDT-dedicated on-chip oscillator Settings other than above are prohibited.	R/W
b5, b4	TCSS[1:0]	Timer Count Clock Source Select	b5 b4 0 0: No division 0 1: x1/4 clock 1 0: x1/8 clock 1 1: x1/32 clock	R/W
b7, b6	EDGES[1:0]	Valid Edge Select	b7 b6 0 0: Rising edge 0 1: Falling edge 1 0: Both rising and falling edges 1 1: Setting prohibited	R/W

Note 1. CACR1 should be set when the CFME bit in CACR0 is 0.

CACREFE Bit (CACREF Pin Input Enable)

When this bit is 1, the CACREF pin input is enabled.

FMCS[2:0] Bits (Frequency Measurement Clock Select)

These bits select the clock whose frequency is to be measured.

TCSS[1:0] Bits (Timer Count Clock Source Select)

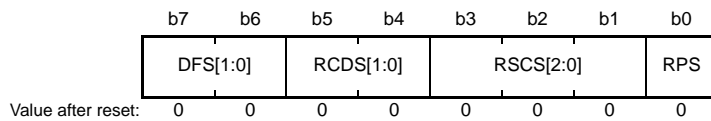
These bits select the count clock source for the clock frequency accuracy measurement circuit.

EDGES[1:0] Bits (Valid Edge Select)

These bits select the valid edge for the reference signal.

10.2.3 CAC Control Register 2 (CACR2)

Address(es): 0008 B002h



Bit	Symbol	Bit Name	Description	R/W
b0	RPS	Reference Signal Select	0: CACREF pin input 1: Internally generated signal	R/W
b3 to b1	RSCS[2:0]	Reference Signal Generation Clock Select	[Chip version A] b3 b1 0 0 1: Output clock of sub-clock oscillator 0 1 0: Output clock of high-speed on-chip oscillator 0 1 1: Output clock of low-speed on-chip oscillator 1 0 0: Output clock of IWDT-dedicated on-chip oscillator [Chip versions B and C] b3 b1 0 0 0: Output clock of main clock oscillator 0 0 1: Output clock of sub-clock oscillator 0 1 0: Output clock of high-speed on-chip oscillator 0 1 1: Output clock of low-speed on-chip oscillator 1 0 0: Output clock of IWDT-dedicated on-chip oscillator Settings other than above are prohibited.	R/W
b5, b4	RCDS[1:0]	Reference Signal Generation Clock Frequency Division Ratio Select	b5 b4 0 0: $\times 1/32$ clock 0 1: $\times 1/128$ clock 1 0: $\times 1/1024$ clock 1 1: $\times 1/8192$ clock	R/W
b7, b6	DFS[1:0]	Digital Filter Selection	b7 b6 0 0: Digital filtering is disabled. 0 1: The sampling clock for the digital filter is the frequency measuring clock. 1 0: The sampling clock for the digital filter is the frequency measuring clock divided by 4. 1 1: The sampling clock for the digital filter is the frequency measuring clock divided by 16.	R/W

Note 1. CACR2 should be set when the CFME bit in CACR0 is 0.

RPS Bit (Reference Signal Select)

This bit selects whether to use the CACREF pin input or an internally generated signal as the reference signal.

RSCS[2:0] Bits (Reference Signal Generation Clock Select)

These bits select the clock source for generating the reference signal.

RCDS[1:0] Bits (Reference Signal Generation Clock Frequency Division Ratio Select)

These bits select the frequency division ratio of the reference signal generation clock.

DFS[1:0] Bits (Digital Filter Selection)

The setting of these bits enables or disables the digital filter and selects its sampling clock.

10.2.4 CAC Interrupt Control Register (CAICR)

Address(es): 0008 B003h

b7	b6	b5	b4	b3	b2	b1	b0
—	OVFFC L	MENDF CL	FERRF CL	—	OVFIE	MENDI E	FERRI E
0	0	0	0	0	0	0	0

Value after reset:

Bit	Symbol	Bit Name	Description	R/W
b0	FERRIE	Frequency Error Interrupt Enable	0: Frequency error interrupt is disabled. 1: Frequency error interrupt is enabled.	R/W
b1	MENDIE	Measurement End Interrupt Enable	0: Measurement end interrupt is disabled. 1: Measurement end interrupt is enabled.	R/W
b2	OVFIE	Overflow Interrupt Enable	0: Overflow interrupt is disabled. 1: Overflow interrupt is enabled.	R/W
b3	—	Reserved	This bit is read as 0. The write value should be 0.	R/W
b4	FERRFCL	FERRF Clear	When 1 is written to this bit, the FERRF bit is cleared. This bit is read as 0.	R/W
b5	MENDFCL	MENDF Clear	When 1 is written to this bit, the MENDF bit is cleared. This bit is read as 0.	R/W
b6	OVFFCL	OVFF Clear	When 1 is written to this bit, the OVFF bit is cleared. This bit is read as 0.	R/W
b7	—	Reserved	This bit is read as 0. The write value should be 0.	R/W

FERRIE Bit (Frequency Error Interrupt Enable)

When this bit is 1, a frequency error interrupt is enabled.

MENDIE Bit (Measurement End Interrupt Enable)

When this bit is 1, a measurement end interrupt is enabled.

OVFIE Bit (Overflow Interrupt Enable)

When this bit is 1, an overflow interrupt is enabled.

FERRFCL Bit (FERRF Clear)

Setting this bit to 1 clears the FERRF bit.

MENDFCL Bit (MENDF Clear)

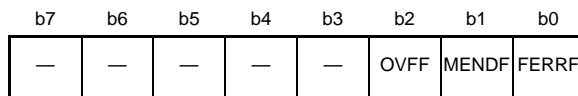
Setting this bit to 1 clears the MENDF bit.

OVFFCL Bit (OVFF Clear)

Setting this bit to 1 clears the OVFF bit.

10.2.5 CAC Status Register (CASTR)

Address(es): 0008 B004h



Value after reset: 0 0 0 0 0 0 0 0

Bit	Symbol	Bit Name	Description	R/W
b0	FERRF	Frequency Error Flag	[Setting condition] <ul style="list-style-type: none"> The clock frequency is outside of the setting range. [Clearing condition] <ul style="list-style-type: none"> 1 is written to the FERRFCL bit. 	R
b1	MENDF	Measurement End Flag	[Setting condition] <ul style="list-style-type: none"> Measurement has finished. [Clearing condition] <ul style="list-style-type: none"> 1 is written to the MENDFCL bit. 	R
b2	OVFF	Overflow Flag	[Setting condition] <ul style="list-style-type: none"> The counter has overflowed. [Clearing condition] <ul style="list-style-type: none"> 1 is written to the OVFFCL bit. 	R
b7 to b3	—	Reserved	These bits are read as 0. The write value should be 0.	R/W

FERRF Flag (Frequency Error Flag)

This bit is set to 1 when the clock frequency is outside of the setting range.

MENDF Flag (Measurement End Flag)

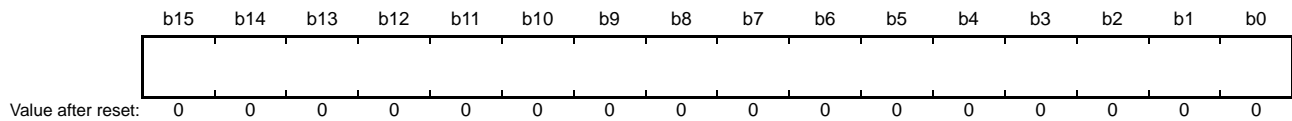
This bit is set to 1 when measurement has finished.

OVFF Flag (Overflow Flag)

This bit is set to 1 when the counter has overflowed.

10.2.6 CAC Upper-Limit Value Setting Register (CAULVR)

Address(es): 0008 B006h



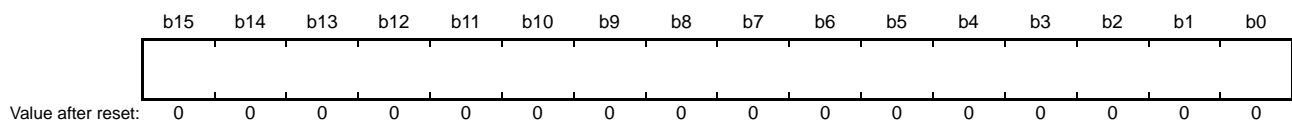
CAULVR is a 16-bit readable/writable register that stores the upper-limit value of the frequency.

This register should be set when the CFME bit in CACR0 is 0.

The counter value held in CACNTBR can vary with the difference between the phases of the digital filter and edge-detection circuit on the one hand and the signal on the CACREF pin on the other, so ensure that this setting allows an adequate margin.

10.2.7 CAC Lower-Limit Value Setting Register (CALLVR)

Address(es): 0008 B008h



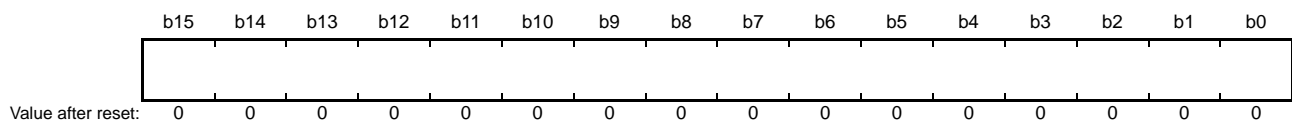
CALLVR is a 16-bit readable/writable register that stores the lower-limit value of the frequency.

This register should be set when the CFME bit in CACR0 is 0.

The counter value held in CACNTBR can vary with the difference between the phases of the digital filter and edge-detection circuit on the one hand and the signal on the CACREF pin on the other, so ensure that this setting allows an adequate margin.

10.2.8 CAC Counter Buffer Register (CACNTBR)

Address(es): 0008 B00Ah



CACNTBR is a 16-bit read-only register that retains the counter value at the time a valid reference signal edge is input.

10.3 Operation

10.3.1 Measuring Clock Frequency Based on CACREF Pin Input

Figure 10.2 shows an operating example of the clock frequency accuracy measurement circuit based on the CACREF pin input.

The clock frequency accuracy measurement circuit operates as shown below when measuring the clock frequency.

- (1) Writing 1 to the CFME bit in CACR0 while the RPS bit in CACR2 is 0 and the CACREFE bit in CACR1 is 1 enables clock-frequency measurement based on the CACREF pin input.
- (2) After 1 is written to the CFME bit, the timer starts up-counting when the valid edge selected by the EDGES[1:0] bits in CACR1 is input from the CACREF pin.
- (3) When the next valid edge is input, the counter value is retained in CACNTBR and compared with the values of CAULVR and CALLVR. If both $CACNTBR \leq CAULVR$ and $CACNTBR \geq CALLVR$ are satisfied, only the MENDF flag in CASTR is set to 1 because the clock frequency is correct. If the MENDIE bit in CAICR is 1, a measurement end interrupt will occur.
- (4) When the next valid edge is input, the counter value is retained in CACNTBR and compared with the values of CAULVR and CALLVR. In the case of $CACNTBR > CAULVR$, the FERRF flag in CASTR is set to 1 because the clock frequency is erroneous. If the FERRIE bit in CAICR is 1, a frequency error interrupt will occur. Also, the MENDF flag in CASTR is set to 1. If the MENDIE bit in CAICR is 1, a measurement end interrupt will occur.
- (5) When the next valid edge is input, the counter value is retained in CACNTBR and compared with the values of CAULVR and CALLVR. In the case of $CACNTBR < CALLVR$, the FERRF flag in CASTR is set to 1 because the clock frequency is erroneous. If the FERRIE bit in CAICR is 1, a frequency error interrupt will occur. Also, the MENDF flag in CASTR is set to 1. If the MENDIE bit in CAICR is 1, a measurement end interrupt will occur.
- (6) While the CFME bit in CACR0 is 1, the counter value is retained in CACNTBR and compared with the values of CAULVR and CALLVR every time a valid edge is input. Writing 0 to the CFME bit in CACR0 clears the counter and stops up-counting.

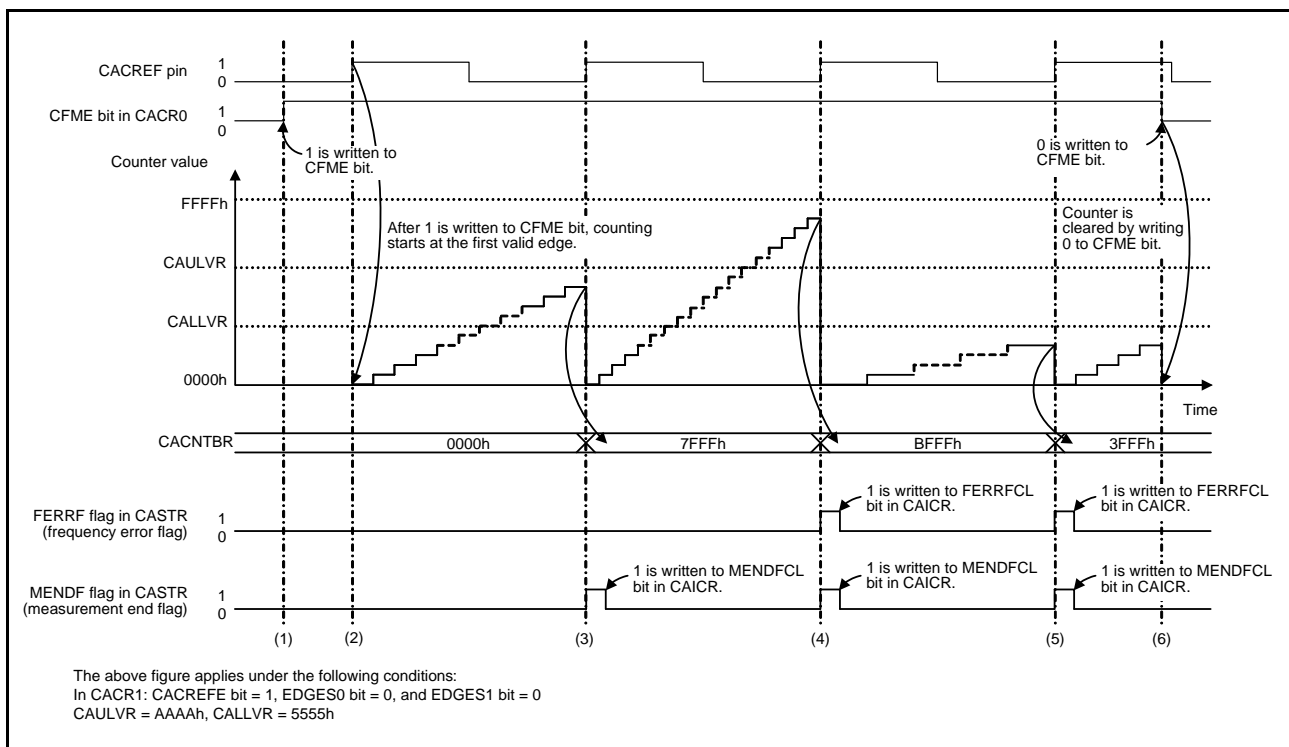


Figure 10.2 Operating Example of Clock Frequency Accuracy Measurement Circuit Based on CACREF Pin Input

10.3.2 Measuring Clock Frequency Based on Another Clock Source

Figure 10.3 shows an operating example of the clock frequency accuracy measurement circuit based on another clock source.

The clock frequency accuracy measurement circuit operates as shown below when measuring the clock frequency.

- (1) When 1 is written to the CFME bit in CACR0 with the RPS bit in CACR2 set to 1, clock frequency measurement based on another clock source is enabled.
- (2) After 1 is written to the CFME bit, the timer starts up-counting when the valid edge selected by the EDGES[1:0] bits in CACR1 is input based on the clock source selected by the RSCS[2:0] bits in CACR2.
- (3) When the next valid edge is input, the counter value is retained in CACNTBR and compared with the values of CAULVR and CALLVR. If both $CACNTBR \leq CAULVR$ and $CACNTBR \geq CALLVR$ are satisfied, only the MENDF flag in CASTR is set to 1 because the clock frequency is correct. If the MENDIE bit in CAICR is 1, a measurement end interrupt will occur.
- (4) When the next valid edge is input, the counter value is retained in CACNTBR and compared with the values of CAULVR and CALLVR. In the case of $CACNTBR > CAULVR$, the FERRF flag in CASTR is set to 1 because the clock frequency is erroneous. If the FERRIE bit in CAICR is 1, a frequency error interrupt will occur. Also, the MENDF flag in CASTR is set to 1. If the MENDIE bit in CAICR is 1, a measurement end interrupt will occur.
- (5) When the next valid edge is input, the counter value is retained in CACNTBR and compared with the values of CAULVR and CALLVR. In the case of $CACNTBR < CALLVR$, the FERRF flag in CASTR is set to 1 because the clock frequency is erroneous. If the FERRIE bit in CAICR is 1, a frequency error interrupt will occur. Also, the MENDF flag in CASTR is set to 1. If the MENDIE bit in CAICR is 1, a measurement end interrupt will occur.
- (6) While the CFME bit in CACR0 is 1, the counter value is retained in CACNTBR and compared with the values of CAULVR and CALLVR every time a valid edge is input. Writing 0 to the CFME bit in CACR0 clears the counter and stops up-counting.

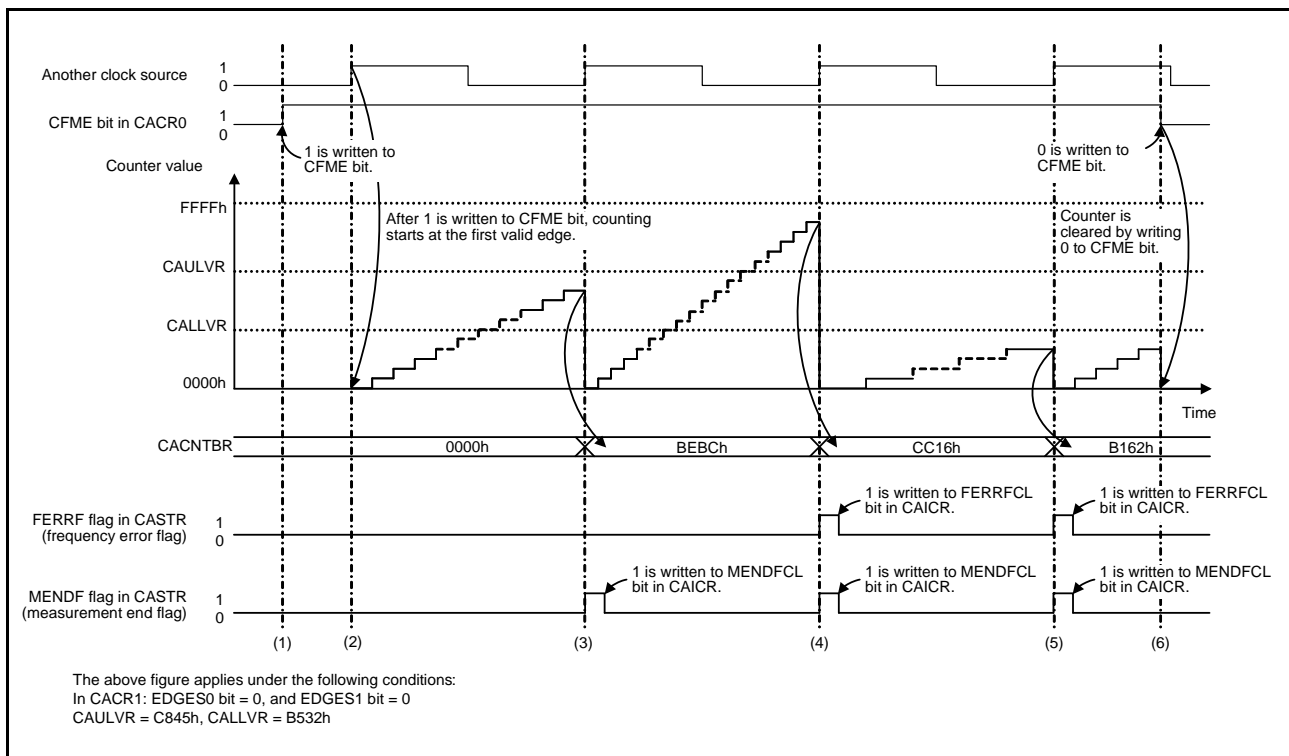


Figure 10.3 Operating Example of Clock Frequency Accuracy Measurement Circuit Based on Another Clock Source

10.3.3 Digital Filtering of Signals on the CACREF Pin

The CACREF pin has a digital filter. Levels on the target pin for sampling are conveyed to the internal circuitry after matching three times at the selected sampling interval and the same level continues to be conveyed internally until the level on the pin again matches three times.

Enabling and disabling of the digital filter and its sampling clock are selectable.

The counter value held in CACNTBR may be in error by up to one cycle of the sampling clock due to the difference between the phases of the digital filter and the signal on the CACREF pin.

When a frequency dividing clock is selected as a count source clock, the counter value error is obtained by the following formula.

Counter value error = (One cycle of the count source clock) / (One cycle of the sampling clock)

10.4 Interrupt Requests

The clock frequency accuracy measurement circuit issues three types of interrupt request: frequency error interrupt, measurement end interrupt, and overflow interrupt. When an interrupt source is generated, the corresponding status flag is set to 1. Table 10.3 shows details on the interrupt requests of the clock frequency accuracy measurement circuit.

Table 10.3 Interrupt Requests of Clock Frequency Accuracy Measurement Circuit

Interrupt Request	Interrupt Enable Bit	Status Flag	Interrupt Source
Frequency error interrupt	CAICR.FERRIE	CASTR.FERRF	The result of comparing CACNTBR to CAULVR and CALLVR is either CACNTBR > CAULVR or CACNTBR < CALLVR.
Measurement end interrupt	CAICR.MENDIE	CASTR. MENDF	A valid edge is input from the CACREF pin. Note however that a measurement end interrupt does not occur at the first valid edge after writing 1 to the CFME bit in CACR0.
Overflow interrupt	CAICR.OVFIE	CASTR. OVFF	The counter has overflowed.

10.5 Usage Notes

10.5.1 Module Stop Function Setting

CAC operation can be disabled or enabled using module stop control register C (MSTPCRC). The initial setting is for the CAC to be halted. Register access is enabled by canceling the module stop state. For details, see section 11, Low Power Consumption.

11. Low Power Consumption

11.1 Overview

The RX210 Group has several functions for reducing power consumption, including switching of clock signals to reduce power consumption, BCLK output control, stopping modules, functions for low power consumption in normal operation, and transitions to low power consumption states.

Table 11.1 lists the specifications of low power consumption functions, and Table 11.2 lists the conditions to shift to low power consumption modes, states of the CPU and peripheral modules, and the method for canceling each mode.

After a reset, this LSI enters the normal program execution state, but modules except for the DMAC, DTC, and RAM do not operate.

Table 11.1 Specifications of Low Power Consumption Functions

Item	Description
Reducing power consumption by switching clock signals	The frequency division ratio is settable independently for the system clock (ICLK), peripheral module clock (PCLKB), S12AD clock (PCLKD), external bus clock (BCLK), and FlashIF clock (FCLK).*1
BCLK output control function	BCLK output or high-level output can be selected.*1
Module stop function	Functions can be stopped independently for each peripheral module.
Function for transition to low power consumption mode	Transition to a low power consumption mode in which the CPU, peripheral modules, or oscillators are stopped is enabled.
Low power consumption modes	<ul style="list-style-type: none"> • Sleep mode • All-module clock stop mode • Software standby mode • Deep software standby mode
Function for lower operating power consumption	<ul style="list-style-type: none"> • Power consumption can be reduced in normal operation, sleep mode, and all-module clock stop mode by selecting an appropriate operating power consumption control mode according to the operating frequency and operating voltage. <p>[Chip versions A and C]</p> <ul style="list-style-type: none"> • Five operating power control modes <ul style="list-style-type: none"> High-speed operating mode Middle-speed operating mode 1A Middle-speed operating mode 1B Low-speed operating mode 1 Low-speed operating mode 2 <p>[Chip version B]</p> <ul style="list-style-type: none"> • Seven operating power control modes <ul style="list-style-type: none"> High-speed operating mode Middle-speed operating mode 1A Middle-speed operating mode 1B Middle-speed operating mode 2A Middle-speed operating mode 2B Low-speed operating mode 1 Low-speed operating mode 2

Note 1. For details, see section 9, Clock Generation Circuit.

Table 11.2 Entering and Exiting Low Power Consumption Modes and Operating States in Each Mode

Entering and Exiting Low Power Consumption Modes and Operating States	Sleep Mode	All-Module Clock Stop Mode	Software Standby Mode	Deep Software Standby Mode
Transition condition	Control register + instruction	Control register + instruction	Control register + instruction	Control register + instruction
Canceling method other than reset	Interrupt	Interrupt* ¹	Interrupt* ²	Interrupt* ³
State after cancellation* ⁴	Program execution state (interrupt processing)	Program execution state (interrupt processing)	Program execution state (interrupt processing)	Program execution state (reset processing)
Main clock oscillator	Operating possible	Operating possible	Stopped	Stopped
Sub-clock oscillator	Operating possible	Operating possible	Operating possible* ⁵	Operating possible* ⁵
High-speed on-chip oscillator	Operating possible	Operating possible	Stopped	Stopped
Low-speed on-chip oscillator	Operating possible	Operating possible	Stopped	Stopped
IWDT-dedicated on-chip oscillator	Operating possible* ⁶	Operating possible* ⁶	Operating possible* ⁶	Stopped (Undefined)* ⁶
PLL	Operating possible	Operating possible	Stopped	Stopped
CPU	Stopped (Retained)	Stopped (Retained)	Stopped (Retained)	Stopped (Undefined)
RAM0 (0000 0000h to 0000 FFFFh) RAM1 (0001 0000h to 0001 7FFFh)	Operating possible (Retained)	Stopped (Retained)	Stopped (Retained)	Stopped (Undefined)
Flash memory	Operating	Stopped (Retained)	Stopped (Retained)	Stopped (Retained)
Watchdog timer (WDT)	Stopped (Retained)	Stopped (Retained)	Stopped (Retained)	Stopped (Undefined)
Independent watchdog timer (IWDT)	Operating possible* ⁶	Operating possible* ⁶	Operating possible* ⁶	Stopped (Undefined)* ⁶
Realtime clock (RTC)	Operating possible	Operating possible	Operating possible	Operating possible
8-bit timer (unit 0, unit 1) (TMR)	Operating possible	Operating possible* ⁷	Stopped (Retained)	Stopped (Undefined)
Voltage detection circuit (LVD)	Operating possible	Operating possible	Operating possible* ⁸	Operating possible* ⁹
Power-on reset circuit	Operating	Operating	Operating* ⁸	Operating* ⁸
Peripheral modules	Operating possible	Stopped (Retained)	Stopped (Retained)	Stopped (Undefined)
I/O ports	Operating	Retained* ¹⁰	Retained* ¹¹	Retained* ¹¹

"Operating possible" means that operating or stopped can be controlled by the control register setting.

"Stopped (Retained)" means that internal register values are retained and internal operations are suspended.

"Stopped (Undefined)" means that internal register values are undefined and power is not supplied to the internal circuit.

Note 1. "Interrupts" here indicates an external pin interrupt (the NMI or IRQ0 to IRQ7) or any of peripheral interrupts (the 8-bit timer, RTC alarm, RTC periodic, IWDT, voltage monitoring 1, voltage monitoring 2, and oscillator-stopped detection interrupts).

Note 2. "Interrupts" here indicates an external pin interrupt (the NMI or IRQ0 to IRQ7) or any of peripheral interrupts (the RTC alarm, RTC periodic, IWDT, voltage monitoring 1, and voltage monitoring 2 interrupts).

Note 3. "Interrupts" here indicates a certain external pin interrupt source pin (the NMI, IRQ0-DS to IRQ7-DS, SCL-DS, SDA-DS) or any of peripheral interrupts (the RTC alarm, RTC periodic, voltage monitoring 1, and voltage monitoring 2 interrupts). However, these interrupts are enabled only when the corresponding bit in the deep standby interrupt enable registers i (DPSIERi) (i = 0, 2) is set to 1. A pin with a name having the suffix "-DS" can be used to initiate release from deep software standby mode.

Note 4. This does not include release initiated by a reset on the RES# pin, power-on reset, voltage monitoring reset, or independent watchdog timer reset. The transition is to the reset state when release is initiated by one of these reset sources.

Note 5. Operation or stopping is selected by the sub-clock oscillator control bit (RTCEN) in the RTC control register 3 (RCR3).

Note 6. Operation or stopping is selected by setting the IWDT sleep mode count stop control bit (IWDTSLCSTP) in option function select register 0 (OFS0) in IWDT auto-start mode. If the OFS0.IWDTSLCSTP bit is 0 (disabling stopping of the counter when a transition to low power consumption mode is made), the transition is to software standby mode rather than deep software standby mode. In any mode other than IWDT auto-start mode, operation or stopping is selected by the setting of the sleep mode count stop control bit (SLCSTP) in the IWDT counter stop control register (IWDCSTPR). If the IWDCSTPR.SLCSTP bit is 0 (disabling stopping of the counter when a transition to low power consumption mode is made), the transition is to software standby mode rather than deep software standby mode.

Note 7. Stopping or operation is controlled by the module-stop setting bits (MSTPA4 and MSTPA5, respectively) in module stop control register A (MSTPCRA) for 8-bit timers 0 and 1 (unit 0) and 2 and 3 (unit 1).

Note 8. In the case of a transition to software standby mode when the setting of the software cut bit in the flash HOCO software standby control register (FHSSBYCR.SOFTCUT2) is 1 or a transition to deep software standby mode when the setting of the deep cut bit in the deep standby control register (DPSBYCR.DEEPCUT1) is 1, the voltage monitoring circuits are stopped and the low power consumption function of the power-on reset circuit is enabled.

Note 9. If the voltage monitoring 1 circuit mode select bit in the voltage monitoring 1 circuit control register 0 (LVD1CR0.LVD1RI) or the voltage monitoring 2 circuit mode select bit in the voltage monitoring 2 circuit control register 0 (LVD2CR0.LVD2RI) is 1, the transition is to software standby mode rather than deep software standby mode.

Note 10. If pin P53 is being used for the BCLK signal, operation continues with as-is output of BCLK. While the 8-bit timer and RTC are

operated, the related pins continue operation.

Note 11. Retention of levels or placement in the high-impedance state is selectable for the address bus and bus control signals (CS0# to CS3#, RD#, WR0#, WR1#, WR#, BC0#, BC1#, and ALE) by the output port enable bit (OPE) in the standby control register (SBYCR).

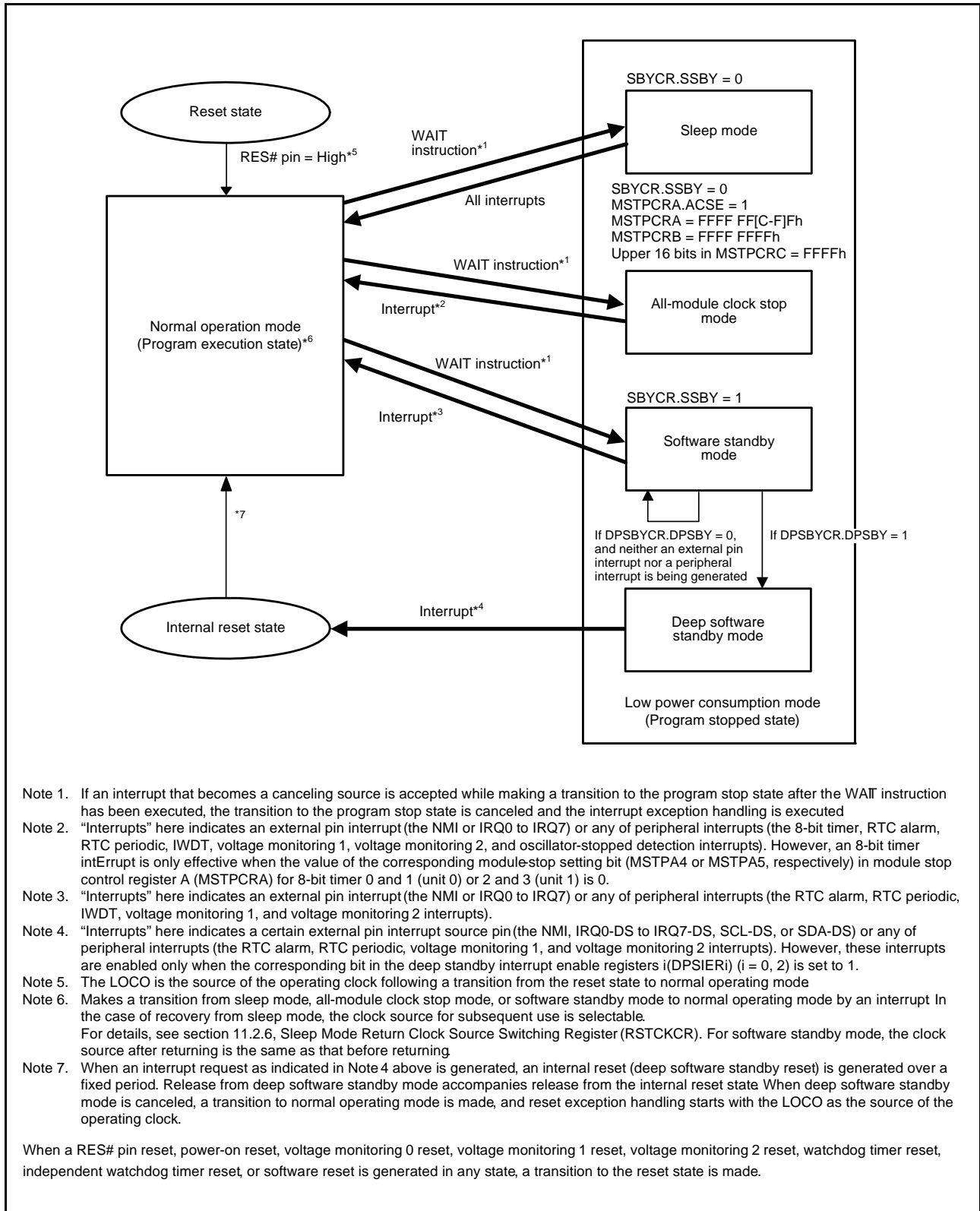


Figure 11.1 Mode Transitions

11.2 Register Descriptions

11.2.1 Standby Control Register (SBYCR)

Address(es): 0008 000Ch

	b15	b14	b13	b12	b11	b10	b9	b8	b7	b6	b5	b4	b3	b2	b1	b0
	SSBY	OPE	—	—	—	—	—	—	—	—	—	—	—	—	—	—
Value after reset:	0	1	0	0	0	0	0	0	0	0	0	0	0	0	0	0

Bit	Symbol	Bit Name	Description	R/W
b13 to b0	—	Reserved	These bits are read as 0. The write value should be 0.	R/W
b14	OPE	Output Port Enable	0: In software standby mode or deep software standby mode, the address bus and bus control signals are set to the high-impedance state. 1: In software standby mode or deep software standby mode, the address bus and bus control signals retain the output state.	R/W
b15	SSBY	Software Standby	0: Shifts to sleep mode or all-module clock stop mode after the WAIT instruction is executed 1: Shifts to software standby mode after the WAIT instruction is executed	R/W

Note: • Set the PRCR.PRC1 bit to 1 (write enabled) before rewriting this register.

OPE Bit (Output Port Enable)

The OPE bit specifies whether to retain the output of the address bus and bus control signals (CS0# to CS3#, RD#, WR0#, WE1#, WR#, BC0#, BC1#, and ALE) in software standby mode or deep software standby mode, or to set the output to the high-impedance state.

SSBY Bit (Software Standby)

The SSBY bit specifies the transition destination after the WAIT instruction is executed.

When the SSBY bit is set to 1, the LSI enters software standby mode after execution of the WAIT instruction. When the LSI returns to normal mode after an interrupt has initiated release from software standby mode, the SSBY bit remains 1. Write 0 to this bit to clear it.

When the oscillation stop detection function enable bit (OSTDCR.OSTDE) is 1, setting of the SSBY bit is invalid. Even if the SSBY bit is 1, the LSI will enter sleep mode or all module clock stop mode on execution of the WAIT instruction.

11.2.2 Module Stop Control Register A (MSTPCRA)

Address(es): 0008 0010h

	b31	b30	b29	b28	b27	b26	b25	b24	b23	b22	b21	b20	b19	b18	b17	b16
	ACSE	—	MSTPA 29	MSTPA 28	MSTPA 27	—	—	MSTPA 24	—	—	—	—	MSTPA 19	—	MSTPA 17	—
Value after reset:	0	1	0	0	0	1	1	0	1	1	1	1	1	1	1	1
	b15	b14	b13	b12	b11	b10	b9	b8	b7	b6	b5	b4	b3	b2	b1	b0
	MSTPA 15	MSTPA 14	MSTPA 13	—	—	—	MSTPA 9	—	—	—	MSTPA 5	MSTPA 4	—	—	—	—
Value after reset:	1	1	1	1	1	1	1	1	1	1	1	1	1	1	1	1

Bit	Symbol	Bit Name	Description	R/W
b3 to b0	—	Reserved	These bits are read as 1. The write value should be 1.	R/W
b4	MSTPA4	8-Bit Timer 3/2 (Unit 1) Module Stop	Target module: TMR3/TMR2 0: The module stop state is canceled 1: Transition to the module stop state is made	R/W
b5	MSTPA5	8-Bit Timer 1/0 (Unit 0) Module Stop	Target module: TMR1/TMR0 0: The module stop state is canceled 1: Transition to the module stop state is made	R/W
b8 to b6	—	Reserved	These bits are read as 1. The write value should be 1.	R/W
b9	MSTPA9	Multi-Function Timer Pulse Unit Module Stop	Target module: MTU (MTU0 to MTU5) 0: The module stop state is canceled 1: Transition to the module stop state is made	R/W
b12 to b10	—	Reserved	These bits are read as 1. The write value should be 1.	R/W
b13	MSTPA13	16-Bit Timer Pulse Unit Module Stop	Target module: TPU (TPU0 to TPU5) 0: The module stop state is canceled 1: Transition to the module stop state is made	R/W
b14	MSTPA14	Compare Match Timer (Unit 1) Module Stop	Target module: CMT unit 1 (CMT2, CMT3) 0: The module stop state is canceled 1: Transition to the module stop state is made	R/W
b15	MSTPA15	Compare Match Timer (Unit 0) Module Stop	Target module: CMT unit 0 (CMT0, CMT1) 0: The module stop state is canceled 1: Transition to the module stop state is made	R/W
b16	—	Reserved	This bit is read as 1. The write value should be 1.	R/W
b17	MSTPA17	12-Bit A/D Converter Module Stop	Target module: S12AD 0: The module stop state is canceled 1: Transition to the module stop state is made	R/W
b18	—	Reserved	This bit is read as 1. The write value should be 1.	R/W
b19	MSTPA19	D/A Converter Module Stop	Target module: DA 0: The module stop state is canceled 1: Transition to the module stop state is made	R/W
b23 to b20	—	Reserved	These bits are read as 1. The write value should be 1.	R/W
b24	MSTPA24	Module Stop A24	Writing to and reading from this bit is enabled. When a transition to all-module clock stop mode is made, be sure that 1 has been written to this bit.	R/W
b26, b25	—	Reserved	These bits are read as 1. The write value should be 1.	R/W
b27	MSTPA27	Module Stop A27	Writing to and reading from this bit is enabled. When a transition to all-module clock stop mode is made, be sure that 1 has been written to this bit.	R/W
b28	MSTPA28	DMA Controller/Data Transfer Controller Module Stop	Target module: DMAC/DTC 0: The module stop state is canceled 1: Transition to the module stop state is made	R/W
b29	MSTPA29	Module Stop A29	Writing to and reading from this bit is enabled. When a transition to all-module clock stop mode is made, be sure that 1 has been written to this bit.	R/W

Bit	Symbol	Bit Name	Description	R/W
b30	—	Reserved	This bit is read as 1. The write value should be 1.	R/W
b31	ACSE	All-Module Clock Stop Mode Enable	0: All-module clock stop mode is disabled 1: All-module clock stop mode is enabled	R/W

Note: • Set the PRCR.PRC1 bit to 1 (write enabled) before rewriting this register.

ACSE Bit (All-Module Clock Stop Mode Enable)

The ACSE bit enables or disables a transition to all-module clock stop mode.

With the ACSE bit set to 1, when the CPU executes the WAIT instruction with the SBYCR.SSBY bit, MSTPCRA, MSTPCRB, and MSTPCRC satisfying specified conditions, the LSI enters all-module clock stop mode. For details, see section 11.6.2, All-Module Clock Stop Mode.

Whether to stop the 8-bit timers or not can be selected by the MSTPA5 and MSTPA 4 bits.

When the MSTPCRA.ACSE bit = 0 while the SBYCR.SSBY = 0, a transition to sleep mode is made after the WAIT instruction is executed.

11.2.3 Module Stop Control Register B (MSTPCRB)

Address(es): 0008 0014h

	b31	b30	b29	b28	b27	b26	b25	b24	b23	b22	b21	b20	b19	b18	b17	b16
	MSTPB 31	MSTPB 30	MSTPB 29	MSTPB 28	MSTPB 27	MSTPB 26	MSTPB 25	MSTPB 24	MSTPB 23	—	MSTPB 21	—	—	—	MSTPB 17	—
Value after reset:	1	1	1	1	1	1	1	1	1	1	1	1	1	1	1	1
	b15	b14	b13	b12	b11	b10	b9	b8	b7	b6	b5	b4	b3	b2	b1	b0
	—	—	—	—	—	MSTPB 10	MSTPB 9	MSTPB 8	—	MSTPB 6	—	MSTPB 4	—	—	—	—
Value after reset:	1	1	1	1	1	1	1	1	1	1	1	1	1	1	1	1

Bit	Symbol	Bit Name	Description	R/W
b3 to b0	—	Reserved	These bits are read as 1. The write value should be 1.	R/W
b4	MSTPB4	Serial Communication Interface SCId Module Stop	Target module: SCId (SCI12) 0: The module stop state is canceled 1: Transition to the module stop state is made	R/W
b5	—	Reserved	This bit is read as 1. The write value should be 1.	R/W
b6	MSTPB6	DOC Module Stop	Target module: DOC 0: The module stop state is canceled 1: Transition to the module stop state is made	R/W
b7	—	Reserved	This bit is read as 1. The write value should be 1.	R/W
b8	MSTPB8	Temperature Sensor Module Stop	Target module: Temperature sensor 0: The module stop state is canceled 1: Transition to the module stop state is made	R/W
b9	MSTPB9	ELC Module Stop	Target module: ELC 0: The module stop state is canceled 1: Transition to the module stop state is made	R/W
b10	MSTPB10	Comparator B Module Stop	Target module: comparator B 0: The module stop state is canceled 1: Transition to the module stop state is made	R/W
b16 to b11	—	Reserved	These bits are read as 1. The write value should be 1.	R/W
b17	MSTPB17	Serial Peripheral Interface 0 Module Stop	Target module: RSPi0 0: The module stop state is canceled 1: Transition to the module stop state is made	R/W
b20 to b18	—	Reserved	These bits are read as 1. The write value should be 1.	R/W
b21	MSTPB21	I ² C Bus Interface 0 Module Stop	Target module: RIIC0 0: The module stop state is canceled 1: Transition to the module stop state is made	R/W
b22	—	Reserved	This bit is read as 1. The write value should be 1.	R/W
b23	MSTPB23	CRC Calculator Module Stop	Target module: CRC 0: The module stop state is canceled 1: Transition to the module stop state is made	R/W
b24	MSTPB24	Serial Communication Interface 7 Module Stop	Target module: SCI7 0: The module stop state is canceled 1: Transition to the module stop state is made	R/W
b25	MSTPB25	Serial Communication Interface 6 Module Stop	Target module: SCI6 0: The module stop state is canceled 1: Transition to the module stop state is made	R/W
b26	MSTPB26	Serial Communication Interface 5 Module Stop	Target module: SCI5 0: The module stop state is canceled 1: Transition to the module stop state is made	R/W
b27	MSTPB27	Serial Communication Interface 4 Module Stop	Target module: SCI4 0: The module stop state is canceled 1: Transition to the module stop state is made	R/W

Bit	Symbol	Bit Name	Description	R/W
b28	MSTPB28	Serial Communication Interface 3 Module Stop	Target module: SCI3 0: The module stop state is canceled 1: Transition to the module stop state is made	R/W
b29	MSTPB29	Serial Communication Interface 2 Module Stop	Target module: SCI2 0: The module stop state is canceled 1: Transition to the module stop state is made	R/W
b30	MSTPB30	Serial Communication Interface 1 Module Stop	Target module: SCI1 0: The module stop state is canceled 1: Transition to the module stop state is made	R/W
b31	MSTPB31	Serial Communication Interface 0 Module Stop	Target module: SCI0 0: The module stop state is canceled 1: Transition to the module stop state is made	R/W

Note: • Set the PRCR.PRC1 bit to 1 (write enabled) before rewriting this register.

11.2.4 Module Stop Control Register C (MSTPCRC)

Address(es): 0008 0018h

	b31	b30	b29	b28	b27	b26	b25	b24	b23	b22	b21	b20	b19	b18	b17	b16
	—	—	—	—	MSTPC 27	MSTPC 26	MSTPC 25	MSTPC 24	—	—	—	—	MSTPC 19	—	—	—
Value after reset:	1	1	1	1	1	1	1	1	1	1	1	1	1	1	1	1
	b15	b14	b13	b12	b11	b10	b9	b8	b7	b6	b5	b4	b3	b2	b1	b0
	—	—	—	—	—	—	—	—	—	—	—	—	—	—	MSTPC 1	MSTPC 0
Value after reset:	0	0	0	0	0	0	0	0	0	0	0	0	0	0	0	0

Bit	Symbol	Bit Name	Description	R/W
b0	MSTPC0	RAM0 Module Stop* ¹	Target module: RAM0 (0000 0000h to 0000 FFFFh) 0: RAM0 operating 1: RAM0 stopped	R/W
b1	MSTPC1	RAM1 Module Stop* ¹	Target module: RAM1 (0001 0000h to 0001 7FFFh) 0: RAM1 operating 1: RAM1 stopped	R/W
b15 to b2	—	Reserved	These bits are read as 0. The write value should be 0.	R/W
b18 to b16	—	Reserved	These bits are read as 1. The write value should be 1.	R/W
b19	MSTPC19	Clock Frequency Accuracy Measurement Circuit Module Stop* ²	Target module: CAC 0: The module stop state is canceled 1: Transition to the module stop state is made	R/W
b23 to b20	—	Reserved	These bits are read as 1. The write value should be 1.	R/W
b24	MSTPC24	Serial Communication Interface 11 Module Stop	Target module: SCI11 0: The module stop state is canceled 1: Transition to the module stop state is made	R/W
b25	MSTPC25	Serial Communication Interface 10 Module Stop	Target module: SCI10 0: The module stop state is canceled 1: Transition to the module stop state is made	R/W
b26	MSTPC26	Serial Communication Interface 9 Module Stop	Target module: SCI9 0: The module stop state is canceled 1: Transition to the module stop state is made	R/W
b27	MSTPC27	Serial Communication Interface 8 Module Stop	Target module: SCI8 0: The module stop state is canceled 1: Transition to the module stop state is made	R/W
b31 to b28	—	Reserved	These bits are read as 1. The write value should be 1.	R/W

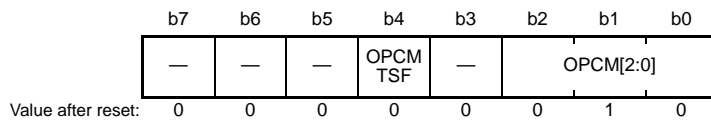
Note: • Set the PRCR.PRC1 bit to 1 (write enabled) before rewriting this register.

Note 1. The MSTPC0 or MSTPC1 bit should not be set to 1 during access to the corresponding RAM. The corresponding RAM should not be accessed while the MSTPC0 or MSTPC1 bit is set to 1.

Note 2. The MSTPC19 bit should be rewritten while the oscillation of the clock to be controlled by this bit is stable. For entering software standby mode after rewriting this bit, wait for two cycles of the slowest clock among the clocks output by the oscillators actually oscillating and execute the WAIT instruction.

11.2.5 Operating Power Control Register (OPCCR)

Address(es): 0008 00A0h



Bit	Symbol	Bit Name	Description	R/W
b2 to b0	OPCM[2:0]	Operating Power Control Mode Select	[Chip versions A and C] $b_2 \ b_0$ 0 0 0: High-speed operating mode 0 1 0: Middle-speed operating mode 1A 0 1 1: Middle-speed operating mode 1B 1 1 0: Low-speed operating mode 1 1 1 1: Low-speed operating mode 2 [Chip version B] $b_2 \ b_0$ 0 0 0: High-speed operating mode 0 1 0: Middle-speed operating mode 1A 0 1 1: Middle-speed operating mode 1B 1 0 0: Middle-speed operating mode 2A 1 0 1: Middle-speed operating mode 2B 1 1 0: Low-speed operating mode 1 1 1 1: Low-speed operating mode 2 Settings other than above are prohibited.	R/W
b3	—	Reserved	This bit is read as 0. The write value should be 0.	R/W
b4	OPCMTSF	Operating Power Control Mode Transition Status Flag	<ul style="list-style-type: none"> • Read 0: Transition completed 1: During transition • Write The write value should be 0. 	R/W
b7 to b5	—	Reserved	These bits are read as 0. The write value should be 0.	R/W

Note: • Set the PRCR.PRC1 bit to 1 (write enabled) before rewriting this register.

OPCCR is used to reduce power consumption in normal operating mode, sleep mode, and all-module clock stop mode. Power consumption can be reduced according to the operating frequency and operating voltage to be used by the OPCCR setting.

OPCCR should not be modified in the following cases:

- When the operating power control transition status flag (OPCMTSF) is 1 (operating power control mode switching is in progress)
- When the ROM P/E mode entry *i* bit in the flash P/E mode entry register (FENTRYR.FENTRY_{*i*}) is 1 (ROM P/E mode, E2 DataFlash P/E mode) (*i* = 0, 1, D)
- Period from the time of WAIT instruction execution for a sleep mode transition, to return from sleep mode to normal operation

Writing to the ROM while it is being programmed or erased is impossible because write access to the OPCCR register is not allowed.

For the procedure to use in shifting to an operational power control mode, refer to section 11.5, Function for Lower Operating Power Consumption.

OPCM[2:0] Bits (Operating Power Control Mode Select)

The OPCM[2:0] bits select operating power control mode in normal operating mode, sleep mode, and all-module clock stop mode.

Table 11.3 and Table 11.4 show the operating power control modes along with the operating frequency ranges, operating voltage ranges, and power consumption.

Table 11.3 Relationship between Operating Power Control Mode, Operating Range, and Power Consumption [Chip versions A and C]

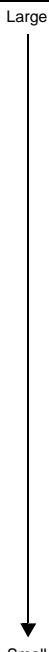
Operating Power Control Mode	OPCM [2:0] Bits	Operating Voltage Range	Operating Frequency Range						Power Consumption
			During Flash Memory Read					During Flash Memory Programming/ Erasure	
			ICLK	FCLK	PCLKD	PCLKB	BCLK		
High-speed operating mode	000b	3.6 V to 5.5 V	50 MHz max	32 MHz max	50 MHz max	32 MHz max	25 MHz max	4 MHz to 32 MHz	Large  Small
		2.7 V to 3.6 V						4 MHz to 32 MHz	
		1.8 V to 2.7 V	—	—	—	—	—	—	
		1.62 V to 1.8 V	—	—	—	—	—	—	
Middle-speed operating mode 1A	010b	3.6 V to 5.5 V	32 MHz max	32 MHz max	32 MHz max	32 MHz max	25 MHz max	4 MHz to 32 MHz	
		2.7 V to 3.6 V						4 MHz to 32 MHz	
		1.8 V to 2.7 V						—	
		1.62 V to 1.8 V	20 MHz max	20 MHz max	20 MHz max	20 MHz max	20 MHz max	—	
Middle-speed operating mode 1B	011b	3.6 V to 5.5 V	32 MHz max	32 MHz max	32 MHz max	32 MHz max	25 MHz max	—	
		2.7 V to 3.6 V						4 MHz to 32 MHz	
		1.8 V to 2.7 V						4 MHz to 32 MHz	
		1.62 V to 1.8 V	20 MHz max	20 MHz max	20 MHz max	20 MHz max	20 MHz max	4 MHz to 20 MHz	
Low-speed operating mode 1	110b	3.6 V to 5.5 V	1 MHz max	1 MHz max	1 MHz max	1 MHz max	1 MHz max	—	
		2.7 V to 3.6 V						—	
		1.8 V to 2.7 V						—	
		1.62 V to 1.8 V						—	
Low-speed operating mode 2	111b	3.6 V to 5.5 V	32.768 kHz max	32.768 kHz max	32.768 kHz max	32.768 kHz max	32.768 kHz max	—	
		2.7 V to 3.6 V						—	
		1.8 V to 2.7 V						—	
		1.62 V to 1.8 V						—	

Table 11.4 Relationship between Operating Power Control Mode, Operating Range, and Power Consumption [Chip version B]

Operating Power Control Mode	OPCM [2:0] Bits	Operating Voltage Range	Operating Frequency Range						During Flash Memory Programming/ Erasure	Power Consumption
			During Flash Memory Read							
			ICLK	FCLK	PCLKD	PCLKB	BCLK	FCLK		
High-speed operating mode	000b	3.6 V to 5.5 V	50 MHz max	32 MHz max	50 MHz max	32 MHz max	25 MHz max	4 MHz to 32 MHz	Large	
		2.7 V to 3.6 V						4 MHz to 32 MHz		
		1.8 V to 2.7 V	—	—	—	—	—	—		
		1.62 V to 1.8 V	—	—	—	—	—	—		
Middle-speed operating mode 1A	010b	3.6 V to 5.5 V	32 MHz max	32 MHz max	32 MHz max	32 MHz max	25 MHz max	4 MHz to 32 MHz		
		2.7 V to 3.6 V						4 MHz to 32 MHz		
		1.8 V to 2.7 V						—		
		1.62 V to 1.8 V	20 MHz max	20 MHz max	20 MHz max	20 MHz max	20 MHz max	—		
Middle-speed operating mode 1B	011b	3.6 V to 5.5 V	32 MHz max	32 MHz max	32 MHz max	32 MHz max	25 MHz max	—		
		2.7 V to 3.6 V						4 MHz to 32 MHz		
		1.8 V to 2.7 V						4 MHz to 32 MHz		
		1.62 V to 1.8 V	20 MHz max	20 MHz max	20 MHz max	20 MHz max	20 MHz max	4 MHz to 20 MHz		
Middle-speed operating mode 2A	100b	3.6 V to 5.5 V	32 MHz max	32 MHz max	32 MHz max	32 MHz max	25 MHz max	4 MHz to 32 MHz		
		2.7 V to 3.6 V						4 MHz to 32 MHz		
		1.8 V to 2.7 V	16 MHz max	16 MHz max	16 MHz max	16 MHz max	16 MHz max	—		
		1.62 V to 1.8 V	8 MHz max	8 MHz max	8 MHz max	8 MHz max	8 MHz max	—		
Middle-speed operating mode 2B	101b	3.6 V to 5.5 V	32 MHz max	32 MHz max	32 MHz max	32 MHz max	25 MHz max	—		
		2.7 V to 3.6 V						4 MHz to 32 MHz		
		1.8 V to 2.7 V	16 MHz max	16 MHz max	16 MHz max	16 MHz max	16 MHz max	4 MHz to 16 MHz		
		1.62 V to 1.8 V	8 MHz max	8 MHz max	8 MHz max	8 MHz max	8 MHz max	4 MHz to 8 MHz		
Low-speed operating mode 1	110b	3.6 V to 5.5 V	8 MHz max	8 MHz max	8 MHz max	8 MHz max	8 MHz max	—		
		2.7 V to 3.6 V						—		
		1.8 V to 2.7 V	4 MHz max	4 MHz max	4 MHz max	4 MHz max	4 MHz max	—		
		1.62 V to 1.8 V	2 MHz max	2 MHz max	2 MHz max	2 MHz max	2 MHz max	—		
Low-speed operating mode 2	111b	3.6 V to 5.5 V	32.768 kHz max	32.768 kHz max	32.768 kHz max	32.768 kHz max	32.768 kHz max	—	Small	
		2.7 V to 3.6 V						—		
		1.8 V to 2.7 V						—		
		1.62 V to 1.8 V						—		

Each operating power control mode is described below.

- High-Speed Operating Mode (Chip Versions A, B, and C)

This mode allows high-speed operation.

During reading the flash memory (FLASH), the maximum operating frequency of ICLK and PCLKD is 50 MHz, that of FCLK and PCLKB is 32 MHz, and that of BCLK is 25 MHz. During FLASH programming/erasure (P/E), the FCLK can be operated in the operating frequency from 4 to 32 MHz. The operating voltage is in the range of 2.7 to 5.5 V both for FLASH read and P/E. This mode should not be used when the operating voltage range is 1.62 V or larger and smaller than 2.7 V.

Figure 11.2 shows the relationship between the operating voltages and operating frequencies in high-speed operating mode.

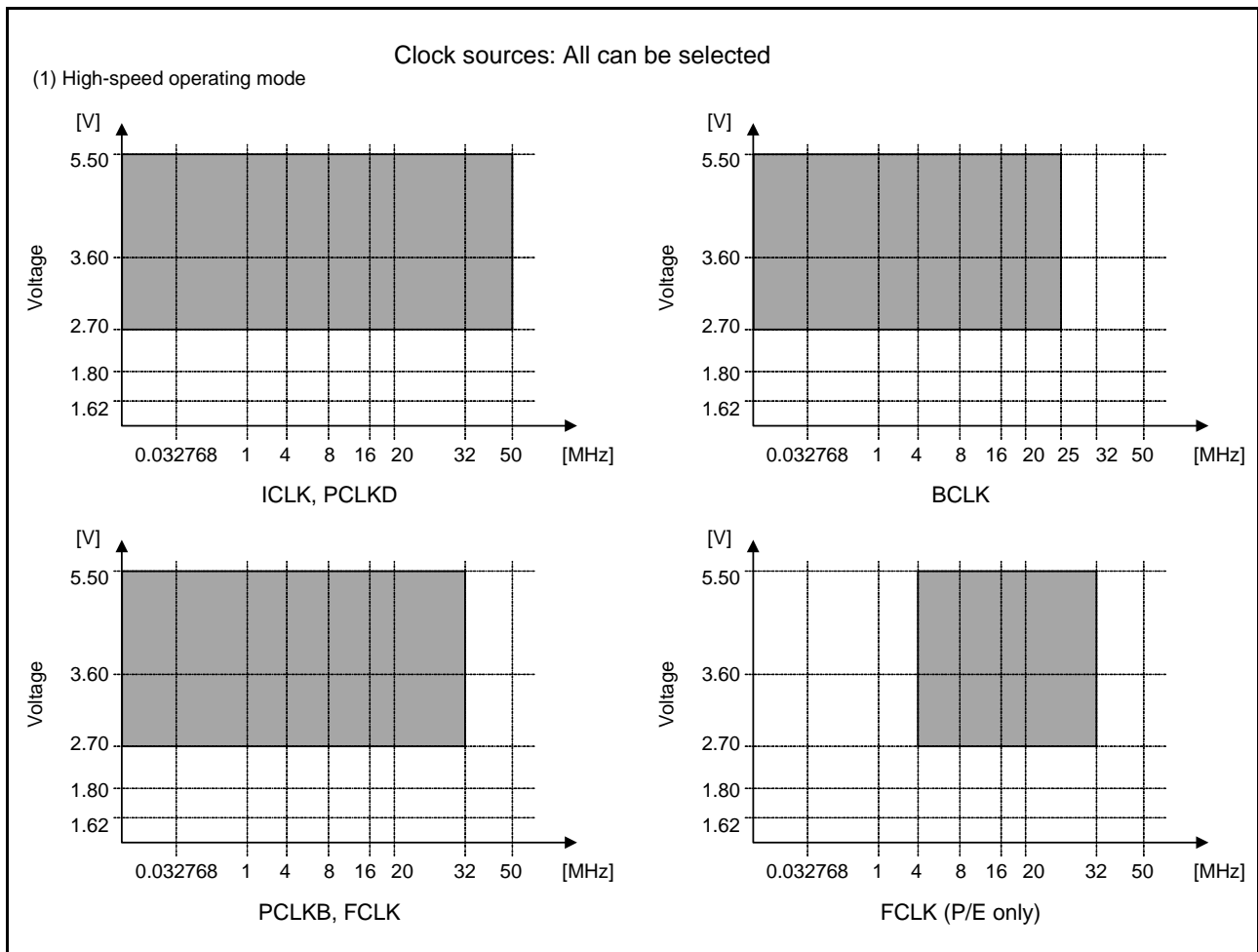


Figure 11.2 Relationship between the Operating Voltages and Operating Frequencies in High-Speed Operating Mode

- Middle-Speed Operating Mode 1A (Chip Versions A, B, and C)

This mode can be operated in a wide voltage range.

The maximum operating frequency during FLASH read is 32 MHz for ICLK, FCLK, PCLKD, and PCLKB; 25 MHz for BCLK. The operating voltage range is 1.62 to 5.5 V during FLASH read. The maximum operating frequency during FLASH read is 20 MHz for all the clocks when the operating voltage is 1.62 V or larger and smaller than 1.8 V.

During FLASH programming/erasure, the operating frequency range is 4 to 32 MHz and the operating voltage range is 2.7 to 5.5 V.

After a reset is canceled, operation is started in this mode.

- Middle-Speed Operating Mode 1B (Chip Versions A, B, and C)

This mode is basically the same as the middle-speed operating mode 1A but provides further reduced power consumption during low-speed and low-voltage FLASH programming/erasure.

The operating frequency range and operating voltage range during FLASH read are the same as those in middle-speed operating mode 1A.

However, during FLASH programming/erasure, the operating frequency range is 4 to 32 MHz and the operating voltage range is 1.62 to 3.6 V.

The maximum operating frequency during FLASH programming/erasure is 20 MHz when the operating voltage is 1.62 V or larger and smaller than 1.8 V.

Figure 11.3 shows the relationship between the operating voltages and operating frequencies in middle-speed operating modes 1A and 1B.

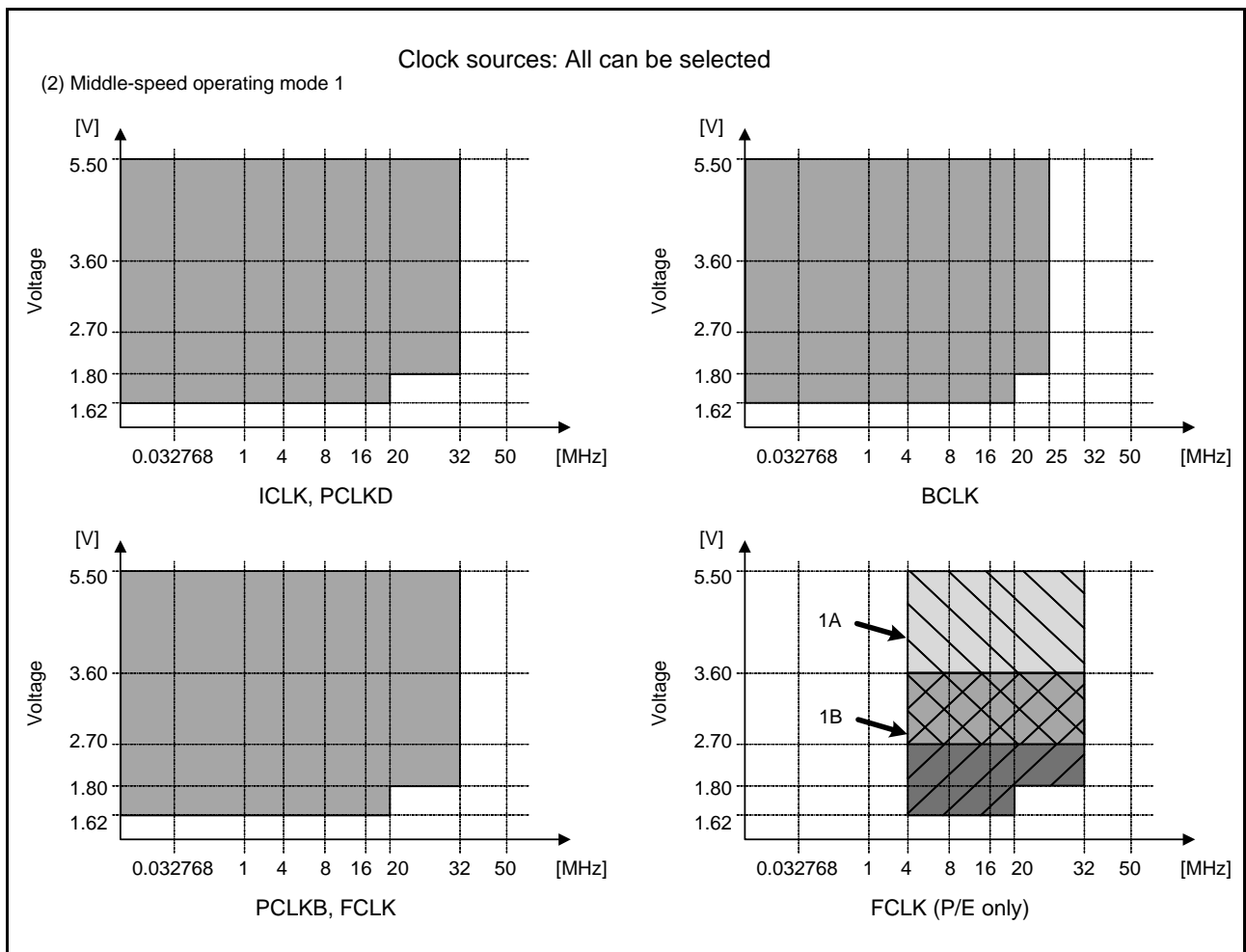


Figure 11.3 Relationship between the Operating Voltages and Operating Frequencies in Middle-Speed Operating Modes 1A and 1B

- Middle-Speed Operating Mode 2A (Chip Version B)

As compared to middle-speed operating modes 1A and 1B, this mode reduces power consumption for low-speed operation.

The maximum operating frequency during FLASH read is: 32 MHz for ICLK, FCLK, PCLKB, and PCLKD; 25 MHz for BCLK. The operating voltage range is 1.62 to 5.5 V during FLASH read. The maximum operating frequency during FLASH read is 16 MHz for all the clocks when the operating voltage is 1.8 V or larger and smaller than 2.7 V.

Furthermore, voltage below the range from 1.62 to 1.8 V limits the highest frequency for the ICLK, FCLK, PCLKD, PCLKB, and BCLK signals when flash memory is to be read to 8 MHz.

During FLASH programming/erasure, the operating frequency range is 4 to 32 MHz and the operating voltage range is 2.7 to 5.5 V.

When the same operation is performed under the same conditions (operating frequency, operating voltage), this mode provides lower power consumption than middle-speed operating modes 1A and 1B.

- Middle-Speed Operating Mode 2B (Chip Version B)

This mode is basically the same as the middle-speed operating mode 2A but provides further reduced power consumption during low-speed and low-voltage FLASH programming/erasure.

The operating frequency range and operating voltage range during FLASH read are the same as those in middle-speed operating mode 2A.

However, during FLASH programming/erasure, the operating frequency range is 4 to 32 MHz and the operating voltage range is 1.62 to 3.6 V.

The maximum operating frequency during FLASH programming/erasure is 16 MHz when the operating voltage is 1.8 V or larger and smaller than 2.7 V.

The maximum operating frequency during FLASH programming/erasure is 8 MHz when the operating voltage is 1.62 V or larger and smaller than 1.8 V.

Figure 11.4 shows the relationship between the operating voltages and operating frequencies in middle-speed operating modes 2A and 2B.

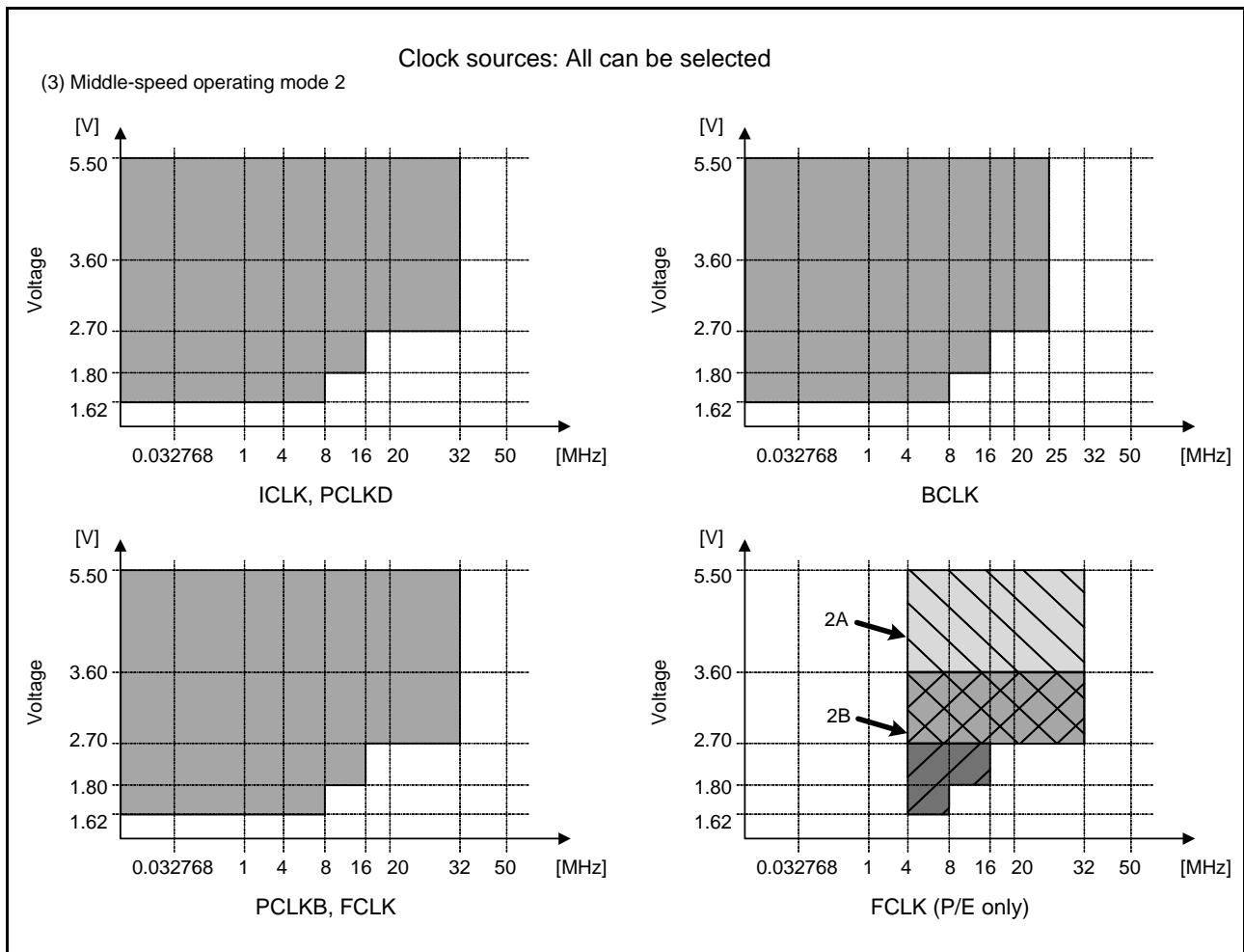


Figure 11.4 Relationship between the Operating Voltages and Operating Frequencies in Middle-Speed Operating Modes 2A and 2B

- Low-Speed Operating Mode 1 (Chip Versions A and C)

As compared to middle-speed operating mode 1A/1B, this mode reduces power consumption for low-speed operation. During reading the flash memory (FLASH), the maximum operating frequency of ICLK, FCLK, PCLKD, PCLKB, and BCLK is 8 MHz. The operating voltage is in the range of 1.62 to 5.5 V.

In low-speed operating mode 1, P/E operation of FLASH is disabled, and writing to set the PLLCR2.PLEN bit to 0 (PLL operation) is prohibited.

In this mode, lower power consumption is possible than in middle-speed operating mode 1A/1B when the same operation is performed under the same conditions (operating frequency, operating voltage).

Figure 11.5 shows the relationship between the operating voltages and operating frequencies in low-speed operating mode 1 (chip versions A and C).

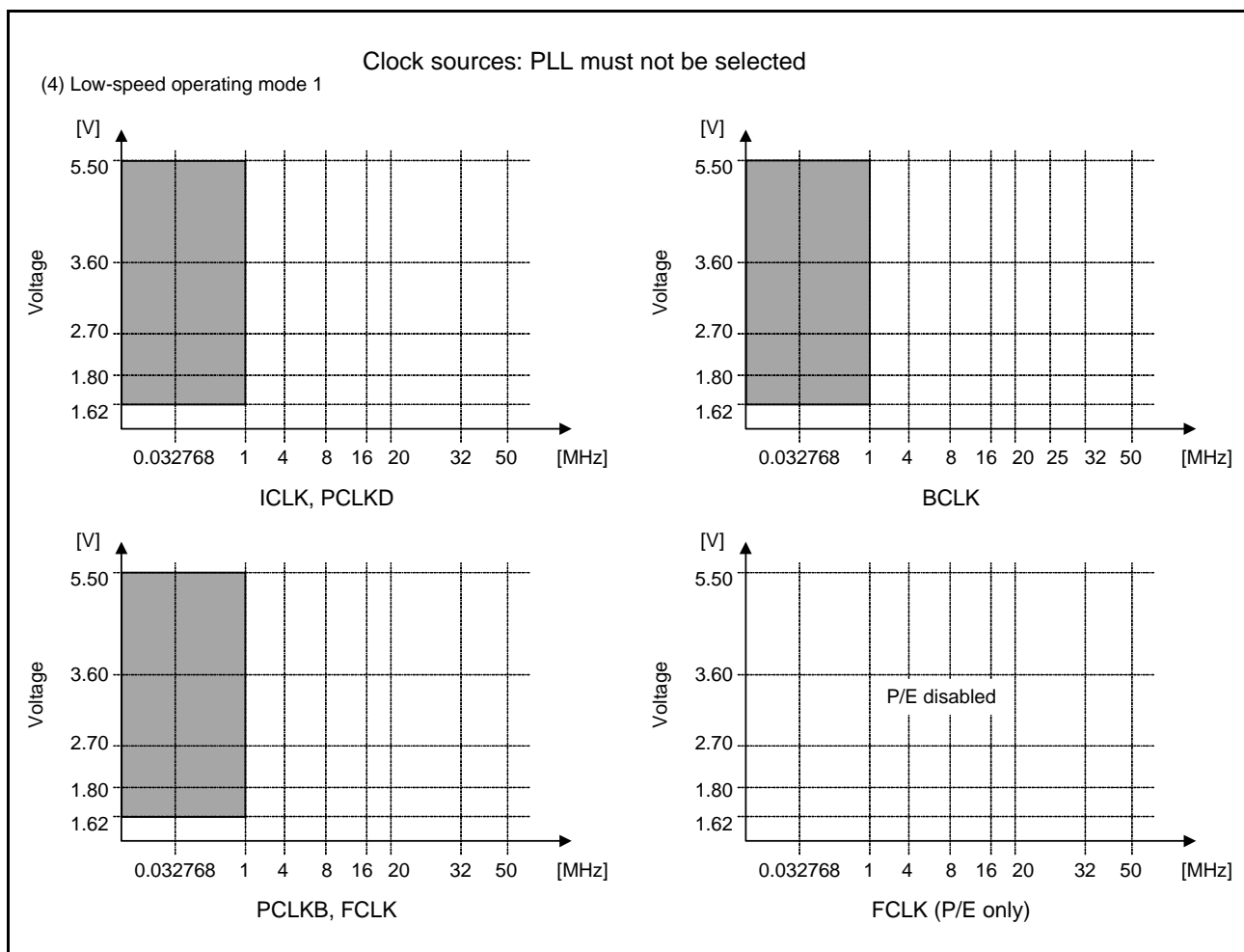


Figure 11.5 Relationship between the Operating Voltages and Operating Frequencies in Low-Speed Operating Mode 1 (Chip Versions A and C)

• Low-Speed Operating Mode 1 (Chip Version B)

As compared to middle-speed operating mode 2A/2B, this mode reduces power consumption for low-speed operation. During reading the flash memory (FLASH), the maximum operating frequency of ICLK, FCLK, PCLKD, PCLKB, and BCLK is 8 MHz. The operating voltage is in the range of 1.62 to 5.5 V. The maximum operating frequency during FLASH read is 4 MHz for all the clocks when the operating voltage is 1.8 V or larger and smaller than 2.7 V.

Furthermore, voltage below the range from 1.62 V to 1.8 V limits the highest frequency for the ICLK, FCLK, PCLKD, PCLKB, and BCLK signals when flash memory is to be read to 2 MHz.

In low-speed operating mode 1, P/E operation of FLASH is disabled, and writing to set the PLLCR2.PLEN bit to 0 (PLL operation) is prohibited.

In this mode, lower power consumption is possible than in middle-speed operating mode 2A/2B when the same operation is performed under the same conditions (operating frequency, operating voltage).

Figure 11.6 shows the relationship between the operating voltages and operating frequencies in low-speed operating mode1 (chip version B).

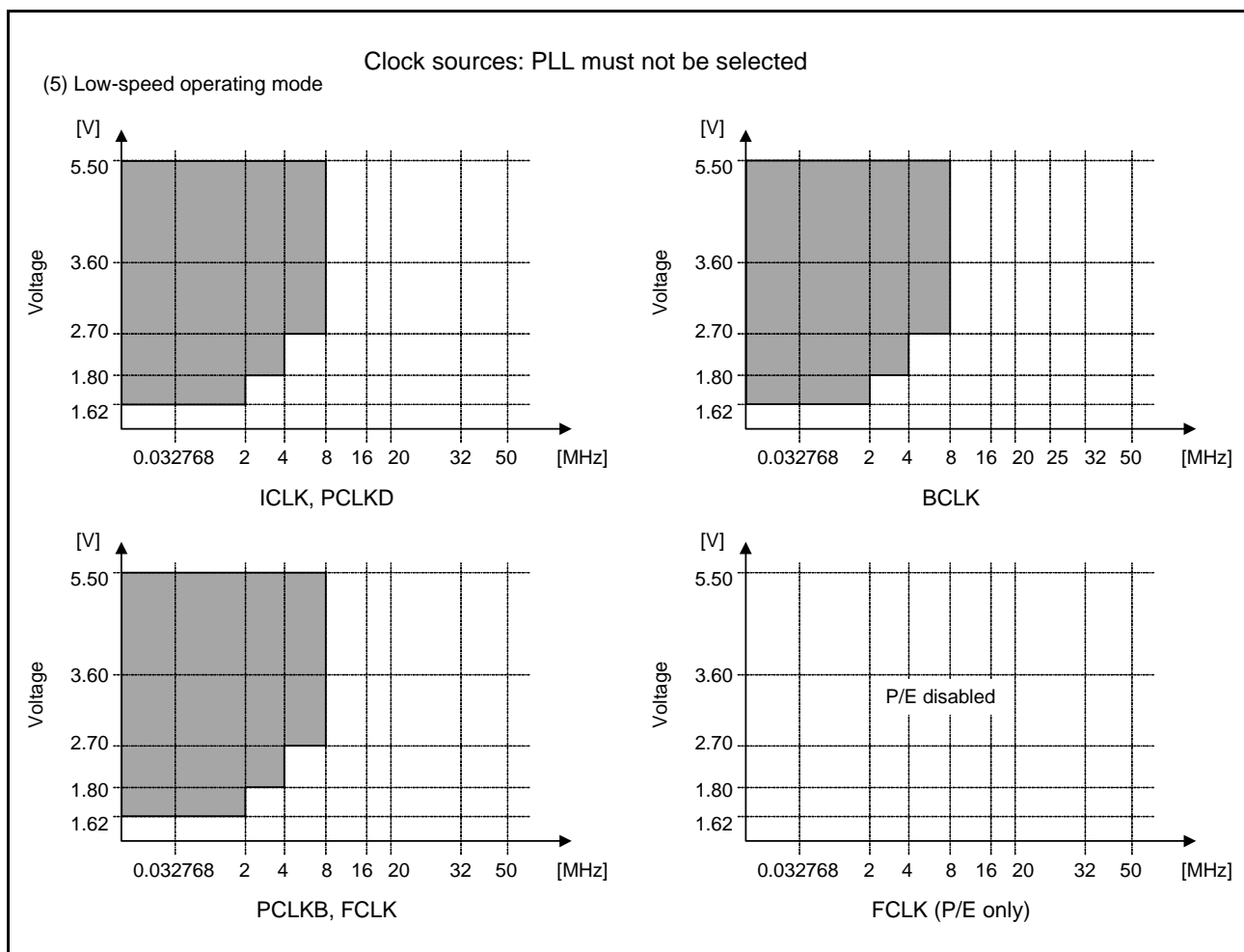


Figure 11.6 Relationship between the Operating Voltages and Operating Frequencies in Low-Speed Operating Mode 1 (Chip Version B)

• Low-Speed Operating Mode 2 (Chip Versions A, B, and C)

As compared to low-speed operating mode 1, this mode reduces power consumption for low-speed operation. During reading the flash memory (FLASH), the maximum operating frequency of ICLK, FCLK, PCLKD, PCLKB, and BCLK is 32.768 kHz. The operating voltage is in the range of 1.62 to 5.5 V.

The following restrictions apply when low-speed operating mode 2 is selected:

- P/E operations for flash memory are prohibited.
- Using the PLL and HOCO is prohibited.
- Using the oscillation stop detection function of the main clock oscillator is prohibited.
- The clock source switching function of the ELC should not be used.

Note: • The OPCM[2:0] bits cannot be set to 110b (low-speed operating mode 1) or 111b (low-speed operating mode 2) when the PLLCR2.PLEN bit is 0 (PLL operated).
 The OPCM[2:0] bits cannot be set to 111b (low-speed operating mode 2) when the HOCO.CR.HCSTP bit is 0 (HOCO operated).

Figure 11.7 shows the relationship between the operating voltages and operating frequencies in low-speed operating mode 2.

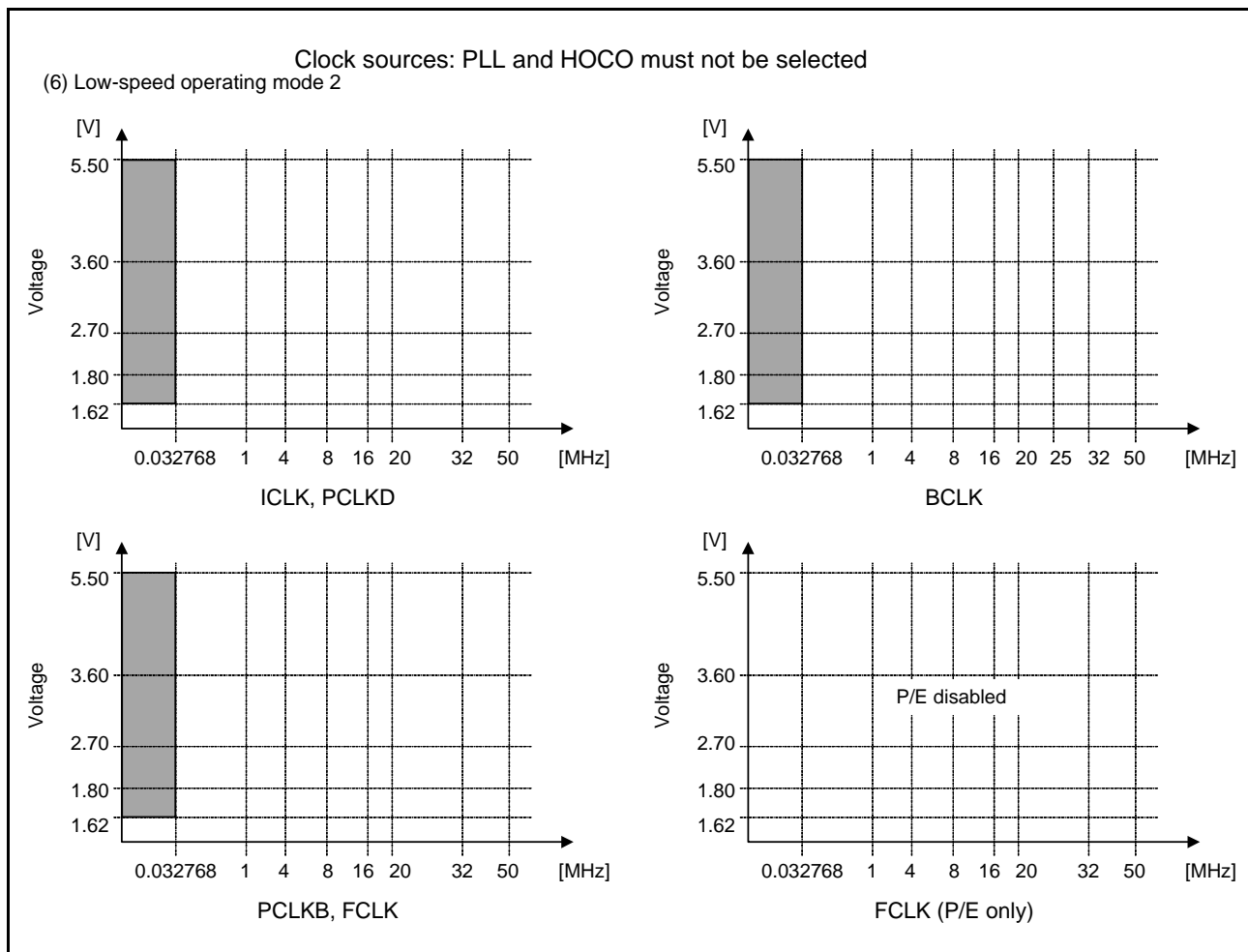


Figure 11.7 Relationship between the Operating Voltages and Operating Frequencies in Low-Speed Operating Mode 2

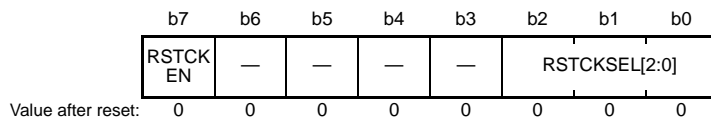
OPCMTSF Flag (Operating Power Control Mode Transition Status Flag)

The OPCMTSF flag indicates the switching control state when the operating power control mode is switched.

When a write access is attempted to change the operating power control mode, the OPCMTSF flag is set to 1. The flag becomes 0 after a transition to the changed control mode is completed. Make sure that the OPCMTSF flag is 0 (completed operating power control mode transition) before the next processing.

11.2.6 Sleep Mode Return Clock Source Switching Register (RSTCKCR)

Address(es): 0008 00A1h



Bit	Symbol	Bit Name	Description	R/W
b2 to b0	RSTCKSEL [2:0]	Sleep Mode Return Clock Source Select	[Chip version A] b2 b0 0 0 1: HOCO is selected [Chip versions B and C] b2 b0 0 0 1: HOCO is selected 0 1 0: Main clock oscillator is selected Settings other than above are prohibited while the RSTCKEN bit is 1.	R/W
b6 to b3	—	Reserved	These bits are read as 0. The write value should be 0.	R/W
b7	RSTCKEN	Sleep Mode Return Clock Source Switching Enable	0: Clock source switching at sleep mode cancellation is disabled 1: Clock source switching at sleep mode cancellation is enabled	R/W

Note: • Set the PRCR.PRC1 bit to 1 (write enabled) before rewriting this register.

RSTCKCR is used to control clock source switching at cancellation of sleep mode.

When operation is restored from sleep mode by setting RSTCKCR, the main clock oscillator stop bit in the main clock oscillator control register (MOSCCR.MOSTP) (chip versions B and C) and HOCO stop bit in the high-speed on-chip oscillator control register (HOCOCCR.HCSTP) corresponding to the clock source to be used on restoration are automatically modified to the operating state. The value of RSTCKSEL[2:0] bits is automatically reloaded to the clock source select bits in the system clock control register 3 (SCKCR3.CKSEL[2:0]).

When the setting of register RSTCKCR is for the HOCO to be used in recovery from sleep mode, the power supply for the HOCO is not automatically switched on. If the HOCO to be used in recovery from sleep mode, the power supply for the HOCO must be on when the transition to sleep mode takes place.

When returning from sleep mode while the RSTCKEN bit is 1, the OPCCR.OPCM[2:0] bits are automatically switched to middle-speed operating mode 1A (010b) according to the SCKCR register and RSTCKSEL[2:0] bit settings. When returning from sleep mode while the RSTCKEN bit is 0, the MCU returns to the operating mode it was in before transitioning to sleep mode.

When the RSTCKSEL[2:0] bits are set to 001b (HOCO is selected) and the sleep mode return clock source switching function is enabled, the SCKCR.FCK[3:0], ICK[3:0], BCK[3:0], PCKD[3:0], and PCKB[3:0] bits should be set to divided-by-2 or more before a transition is made to sleep mode.

The sleep mode return clock source switching function and clock source switching function by the ELC cannot be used at the same time.

To enable the sleep mode return clock source switching function, the RSTCKEN bit should be set to 1 with the ELC clock source switching function disabled. The ELC clock source switching function should be enabled with the RSTCKEN bit being 0.

RSTCKSEL[2:0] Bits (Sleep Mode Return Clock Source Select)

The RSTCKSEL[2:0] bits select the clock source to be used when sleep mode is canceled.

The clock source selected by the RSTCKSEL[2:0] bits is enabled only when the RSTCKEN bit is 1.

Setting RSTCKSEL to 001b (HOCO is selected) is prohibited when one of the SCKCR.FCK[3:0], ICK[3:0], BCK[3:0], PCKD[3:0], and PCKB[3:0] bits is set to 0000b (1/1 frequency division).

RSTCKEN Bit (Sleep Mode Return Clock Source Switching Enable)

The RSTCKEN bit enables or disables clock source switching when sleep mode is canceled.

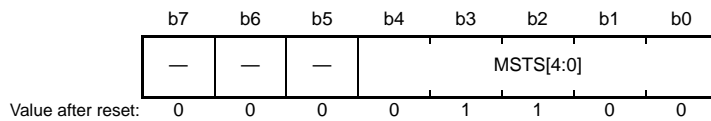
When sleep mode is canceled, the clock source should be switched only when LOCO or sub-clock is selected as a clock for a transition to sleep mode. To make a transition to sleep mode with HOCO, main clock (chip versions B and C), or PLL selected as the clock source, the RSTCKEN bit should not be set to 1.

When the CPU is restored from the sleep mode with this bit set to “enable,” the OPCCR.OPCM[2:0] bits are automatically rewritten to turn on middle-speed operating mode 1A.

If the CPU is switched into sleep mode with the high-speed operating mode turned on, however, the bits are not rewritten to middle-speed operating mode 1A but the high-speed operating mode remains on after restoration from the sleep mode.

11.2.7 Main Clock Oscillator Wait Control Register (MOSCWTCR)

Address(es): 0008 00A2h



Bit	Symbol	Bit Name	Description	R/W
b4 to b0	MSTS[4:0]	Main Clock Oscillator Wait Time Select	b4 b0 0 0 0 0 0: Wait time = 2 cycles 0 0 0 0 1: Wait time = 4 cycles 0 0 0 1 0: Wait time = 8 cycles 0 0 0 1 1: Wait time = 16 cycles 0 0 1 0 0: Wait time = 32 cycles 0 0 1 0 1: Wait time = 256 cycles 0 0 1 1 0: Wait time = 512 cycles 0 0 1 1 1: Wait time = 1024 cycles 0 1 0 0 0: Wait time = 2048 cycles 0 1 0 0 1: Wait time = 4096 cycles 0 1 0 1 0: Wait time = 16384 cycles 0 1 0 1 1: Wait time = 32768 cycles 0 1 1 0 0: Wait time = 65536 cycles 0 1 1 0 1: Wait time = 131072 cycles 0 1 1 1 0: Wait time = 262144 cycles 0 1 1 1 1: Wait time = 524288 cycles Settings other than above are prohibited.	R/W
b7 to b5	—	Reserved	These bits are read as 0. The write value should be 0.	R/W

Note: • Set the PRCR.PRC1 bit to 1 (write enabled) before rewriting this register.

MOSCWTCR is used to control the oscillation stabilization wait time of the main clock oscillator.

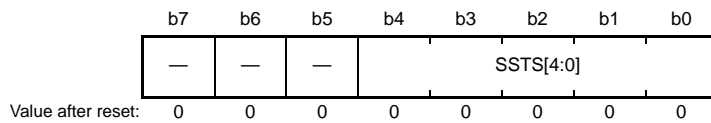
Transmission of the main clock signal to the LSI internally starts after the number of cycles of the main clock set in the MOSCWTCR register have been counted.

Set the MSTS[4:0] bits so that the wait time is at least as long as the main clock oscillator stabilization time (tMAINOSC). For example, if the frequency of the oscillator in use is 10 MHz (so that the period is 100 ns) and the MSTS[4:0] bits are set to 01101b, the wait time will be 100 ns × 131072 cycles, which is approximately 13.11 ms. The wait time is not required when the main clock is externally input.

MOSCWTCR can only be rewritten when the MOSCCR.MOSTP bit is 1; do not rewrite MOSCWTCR with other settings.

11.2.8 Sub-Clock Oscillator Wait Control Register (SOSCWTCR)

Address(es): 0008 00A3h



Bit	Symbol	Bit Name	Description	R/W
b4 to b0	SSTS[4:0]	Sub-Clock Oscillator Wait Time Select	b4 b0 0 0 0 0 0: Wait time = 2 s + 2 cycles 0 0 0 0 1: Wait time = 2 s + 4 cycles 0 0 0 1 0: Wait time = 2 s + 8 cycles 0 0 0 1 1: Wait time = 2 s + 16 cycles 0 0 1 0 0: Wait time = 2 s + 32 cycles 0 0 1 0 1: Wait time = 2 s + 64 cycles 0 0 1 1 0: Wait time = 2 s + 512 cycles 0 0 1 1 1: Wait time = 2 s + 1024 cycles 0 1 0 0 0: Wait time = 2 s + 2048 cycles 0 1 0 0 1: Wait time = 2 s + 4096 cycles 0 1 0 1 0: Wait time = 2 s + 16384 cycles 0 1 0 1 1: Wait time = 2 s + 32768 cycles 0 1 1 0 0: Wait time = 2 s + 65536 cycles 0 1 1 0 1: Wait time = 2 s + 131072 cycles 0 1 1 1 0: Wait time = 2 s + 262144 cycles 0 1 1 1 1: Wait time = 2 s + 524288 cycles Settings other than above are prohibited.	R/W
b7 to b5	—	Reserved	These bits are read as 0. The write value should be 0.	R/W

Note: • Set the PRCR.PRC1 bit to 1 (write enabled) before rewriting this register.

SOSCWTCR is used to select the oscillation stabilization wait time of the sub-clock oscillator.

The sub-clock is provided to the LSI internally after the number of sub-clock cycles specified with SOSCWTCR has been counted.

Set the SSTS[4:0] bits so that the wait time is at least as long as the sub-clock oscillator stabilization time (t_{SUBOSC}). For example, if the frequency of the oscillator in use is 32.768 kHz (so that the period is 30.5 μ s) and the SSTS[4:0] bits are set to 01101b, the wait time will be 30.5 μ s \times 32768 cycles, which is approximately 2 s + 1 s = 3 s.

Writing to alter the setting in register SOSCWTCR is only possible when the SOSTP bit in SOSCCR is 1 (sub-clock oscillator is stopped). Do not attempt to change the setting if this is not the case.

11.2.9 PLL Wait Control Register (PLLWTCR)

Address(es): 0008 00A6h



Bit	Symbol	Bit Name	Description	R/W
b4 to b0	PSTS[4:0]	PLL Wait Time Select	b4 b0 0 0 0 0: Wait time = 16 cycles 0 0 0 1: Wait time = 32 cycles 0 0 0 1 0: Wait time = 64 cycles 0 0 0 1 1: Wait time = 512 cycles 0 0 1 0 0: Wait time = 1024 cycles 0 0 1 0 1: Wait time = 2048 cycles 0 0 1 1 0: Wait time = 4096 cycles 0 0 1 1 1: Wait time = 16384 cycles 0 1 0 0 0: Wait time = 32768 cycles 0 1 0 0 1: Wait time = 65536 cycles 0 1 0 1 0: Wait time = 131072 cycles 0 1 0 1 1: Wait time = 262144 cycles 0 1 1 0 0: Wait time = 524288 cycles 0 1 1 0 1: Wait time = 1048576 cycles 0 1 1 1 0: Wait time = 2097152 cycles 0 1 1 1 1: Wait time = 4194304 cycles Settings other than above are prohibited.	R/W
b7 to b5	—	Reserved	These bits are read as 0. The write value should be 0.	R/W

Note: • Set the PRCR.PRC1 bit to 1 (write enabled) before rewriting this register.

PLLWTCR is used to select the oscillation stabilization wait time of the PLL.

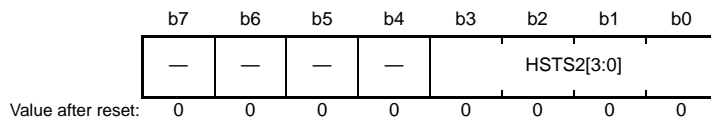
Supply of the PLL clock signal within the LSI starts after the number of cycles of the PLL clock set in the PLLWTCR register have been counted.

A crystal resonator is used as the oscillator. When PLL operation is selected without waiting for oscillation of the main clock to become stable, set the PSTS[4:0] bits so that the PLL oscillator stabilization time is at least as long as the PLL oscillator stabilization time (when the PLL is turned on without waiting for oscillation of the main clock to become stable, t_{PLL2}). For example, if the frequency of the PLL oscillator is 100 MHz (period of 10 ns), the wait time is $10 \text{ ns} \times 1048576 \text{ cycles} \approx 10.48 \text{ ms}$ if the setting of the PSTS[4:0] bits is 01101b. When PLL operation is selected after waiting for oscillation of the main clock to become stable and the main clock is externally input, waiting for oscillation of the reference clock to become stable is not necessary. Therefore, set the PSTS[4:0] bits so that the wait time (when the PLL is turned on after waiting for oscillation of the main clock to become stable, t_{PLL1}) is at least as long as the PLL oscillator stabilization time.

PLLWTCR can only be rewritten when the PLLCR2.PLEN bit is 1 (PLL stopped); do not rewrite PLLWTCR with other settings.

11.2.10 HOCO Wait Control Register 2 (HOCOWTCR2)

Address(es): 0008 00A9h



Bit	Symbol	Bit Name	Description	R/W																																																									
b3 to b0	HSTS2[3:0]	HOCO Wait Time Select 2	<table border="0"> <tr> <td>b3</td> <td>b0</td> <td></td> </tr> <tr> <td>0</td> <td>0</td> <td>0: Wait time = 3072 cycles</td> </tr> <tr> <td>0</td> <td>0</td> <td>1: Wait time = 5120 cycles</td> </tr> <tr> <td>0</td> <td>0</td> <td>1 0: Wait time = 7168 cycles</td> </tr> <tr> <td colspan="3">These bits must be set to 0010b if the HOCO clock frequency is set to either of 32 MHz, 36.864 MHz, and 40 MHz.*1</td> </tr> <tr> <td>0</td> <td>0</td> <td>1 1: Wait time = 9216 cycles</td> </tr> <tr> <td colspan="3">These bits must be set to 0011b if the HOCO clock frequency is set to 50 MHz.*1</td> </tr> <tr> <td>0</td> <td>1</td> <td>0 0: Wait time = 11264 cycles</td> </tr> <tr> <td>0</td> <td>1</td> <td>0 1: Wait time = 13312 cycles</td> </tr> <tr> <td>0</td> <td>1</td> <td>1 0: Wait time = 15360 cycles</td> </tr> <tr> <td>0</td> <td>1</td> <td>1 1: Wait time = 17408 cycles</td> </tr> <tr> <td>1</td> <td>0</td> <td>0 0: Wait time = 19456 cycles</td> </tr> <tr> <td>1</td> <td>0</td> <td>0 1: Wait time = 21504 cycles</td> </tr> <tr> <td>1</td> <td>0</td> <td>1 0: Wait time = 23552 cycles</td> </tr> <tr> <td>1</td> <td>0</td> <td>1 1: Wait time = 25600 cycles</td> </tr> <tr> <td>1</td> <td>1</td> <td>0 0: Wait time = 27648 cycles</td> </tr> <tr> <td>1</td> <td>1</td> <td>0 1: Wait time = 29696 cycles</td> </tr> <tr> <td>1</td> <td>1</td> <td>1 0: Wait time = 31744 cycles</td> </tr> <tr> <td>1</td> <td>1</td> <td>1 1: Wait time = 33792 cycles</td> </tr> </table>	b3	b0		0	0	0: Wait time = 3072 cycles	0	0	1: Wait time = 5120 cycles	0	0	1 0: Wait time = 7168 cycles	These bits must be set to 0010b if the HOCO clock frequency is set to either of 32 MHz, 36.864 MHz, and 40 MHz.*1			0	0	1 1: Wait time = 9216 cycles	These bits must be set to 0011b if the HOCO clock frequency is set to 50 MHz.*1			0	1	0 0: Wait time = 11264 cycles	0	1	0 1: Wait time = 13312 cycles	0	1	1 0: Wait time = 15360 cycles	0	1	1 1: Wait time = 17408 cycles	1	0	0 0: Wait time = 19456 cycles	1	0	0 1: Wait time = 21504 cycles	1	0	1 0: Wait time = 23552 cycles	1	0	1 1: Wait time = 25600 cycles	1	1	0 0: Wait time = 27648 cycles	1	1	0 1: Wait time = 29696 cycles	1	1	1 0: Wait time = 31744 cycles	1	1	1 1: Wait time = 33792 cycles	R/W
b3	b0																																																												
0	0	0: Wait time = 3072 cycles																																																											
0	0	1: Wait time = 5120 cycles																																																											
0	0	1 0: Wait time = 7168 cycles																																																											
These bits must be set to 0010b if the HOCO clock frequency is set to either of 32 MHz, 36.864 MHz, and 40 MHz.*1																																																													
0	0	1 1: Wait time = 9216 cycles																																																											
These bits must be set to 0011b if the HOCO clock frequency is set to 50 MHz.*1																																																													
0	1	0 0: Wait time = 11264 cycles																																																											
0	1	0 1: Wait time = 13312 cycles																																																											
0	1	1 0: Wait time = 15360 cycles																																																											
0	1	1 1: Wait time = 17408 cycles																																																											
1	0	0 0: Wait time = 19456 cycles																																																											
1	0	0 1: Wait time = 21504 cycles																																																											
1	0	1 0: Wait time = 23552 cycles																																																											
1	0	1 1: Wait time = 25600 cycles																																																											
1	1	0 0: Wait time = 27648 cycles																																																											
1	1	0 1: Wait time = 29696 cycles																																																											
1	1	1 0: Wait time = 31744 cycles																																																											
1	1	1 1: Wait time = 33792 cycles																																																											
b7 to b4	—	Reserved	These bits are read as 0. The write value should be 0.	R/W																																																									

Note: • Set the PRCR.PRC1 bit to 1 (write enabled) before rewriting this register.

Note 1. When this value is set, the HOCO oscillation stabilization time 2 (tHOCO2) is established and a clock whose HOCO oscillation frequency (fHOCO) accuracy is described in the electrical characteristics section is present immediately after the supply of that clock is started.

The supply of this clock is possible even when a setting that provides a smaller cycle count than this setting is specified. In such case, however, the HOCO frequency accuracy that is described in the electrical characteristics section is not guaranteed at the beginning of the supply of the clock because the HOCO oscillation stabilization time 2 (tHOCO2) cannot be established. In either case, the HOCO frequency accuracy described in the electrical characteristics section is established in the tHOCO2 time after the beginning of the clock supply.

HOCOWTCR2 is used to select the oscillation stabilization wait time of the HOCO.

The supply of the HOCO clock to the internal LSI is started after the number of HOCO clocks equivalent to the number of cycles specified in this register are counted.

HOCOWTCR2 can only be rewritten when the HOCOCR.HCSTP bit is 1 (HOCO stopped); do not rewrite HOCOWTCR2 with other settings.

11.2.11 Deep Standby Control Register (DPSBYCR)

Address(es): 0008 C280h

	b7	b6	b5	b4	b3	b2	b1	b0
	DPSBY	IOKEEP	—	—	—	—	DEEPCUT1	—
Value after reset:	0	0	0	0	0	0	0	1

Bit	Symbol	Bit Name	Description	R/W
b0	—	Reserved	This bit is read as 1. The write value should be 1.	R/W
b1	DEEPCUT1	Deep Cut	0: LVD and POR can be operated at deep software standby mode. 1: LVD does not operate at deep software standby mode and POR operates in the low power consumption operation mode at deep software standby mode.	R/W
b5 to b2	—	Reserved	These bits are read as 0. The write value should be 0.	R/W
b6	IOKEEP	I/O Port Retention	0: Deep software standby mode and I/O port retention are canceled simultaneously. 1: The I/O port state is retained even after deep software standby mode is canceled. Then, writing 0 to the IOKEEP bit cancels the I/O port retention.	R/W
b7	DPSBY	Deep Software Standby	SSBY b7 0 0: Transition to sleep mode or all-module clock stop mode is made after the WAIT instruction is executed 0 1: Transition to sleep mode or all-module clock stop mode is made after the WAIT instruction is executed 1 0: Transition to software standby mode is made after the WAIT instruction is executed 1 1: Transition to deep software standby mode is made after the WAIT instruction is executed	R/W

Note: • Set the PRCR.PRC1 bit to 1 (write enabled) before rewriting this register.

DPSBYCR is not initialized by the internal reset signal that is the source to cancel the deep software standby mode. For details, see Table 6.2, Targets Initialized by Each Reset Source.

DEEPCUT1 Bit (Deep Cut)

This bit controls the state of LVD and power-on reset circuit in deep software standby mode.

When an LVD interrupt is used in deep software standby mode, the DEEPCUT1 bit must be set to 0.

For lower power consumption, set the DEEPCUT1 bit to 1 so that the LVD is stopped and the low power consumption function of the power-on reset circuit is enabled.

IOKEEP Bit (I/O Port Retention)

In deep software standby mode, I/O ports keep retaining the same states from software standby mode. The IOKEEP bit specifies whether to keep retaining the I/O port states from deep software standby mode even after deep software standby mode is canceled, or to cancel retaining the I/O port states.

DPSBY Bit (Deep Software Standby)

The DPSBY bit controls transitions to deep software standby mode.

When the WAIT instruction is executed while the SBYCR.SSBY and DPSBY bits are both 1, the LSI enters deep software standby mode through software standby mode.

The DPSBY bit remains set to 1 when deep software standby mode is canceled by certain of the pins which are sources of external pin interrupts (NMI, IRQ0-DS to IRQ7-DS, SCL-DS, and SDA-DS) or a peripheral interrupt (RTC alarm, RTC periodic, voltage monitoring 1, or voltage monitoring 2). Write 0 to this bit to clear it.

The setting of the DPSBY bits becomes invalid when the IWDT is in auto-start mode and the OFS0.IWDTSLCSTP is 0 (counting continues) or the IWDT is in register start mode and the SLCSTP bit in IWDTCSTPR is 0.

Instead, even when the SBYCR.SSBY bit is 1 and the DPSBY bits are 1, the transition after the execution of a WAIT instruction is to software standby mode.

The setting of the DPSBY bits becomes invalid when voltage monitoring 1 reset is enabled by the voltage monitoring 1 circuit mode select bit (LVD1CR0.LVD1RI = 1) or when a voltage monitoring 2 reset is selected by the voltage monitoring 2 circuit mode bit (LVD2CR0.LVD2RI = 1). In this case, even when the SBYCR.SSBY bit is 1 and the DPSBY bits are 1, the transition after the execution of a WAIT instruction is to software standby mode.

11.2.12 Deep Standby Interrupt Enable Register 0 (DPSIER0)

Address(es): 0008 C282h

b7	b6	b5	b4	b3	b2	b1	b0
DIRQ7 E	DIRQ6 E	DIRQ5 E	DIRQ4 E	DIRQ3 E	DIRQ2 E	DIRQ1 E	DIRQ0 E

Value after reset: 0 0 0 0 0 0 0 0

Bit	Symbol	Bit Name	Description	R/W
b0	DIRQ0E	IRQ0-DS Pin Enable	0: Canceling deep software standby mode by the IRQ0-DS pin is disabled 1: Canceling deep software standby mode by the IRQ0-DS pin is enabled	R/W
b1	DIRQ1E	IRQ1-DS Pin Enable	0: Canceling deep software standby mode by the IRQ1-DS pin is disabled 1: Canceling deep software standby mode by the IRQ1-DS pin is enabled	R/W
b2	DIRQ2E	IRQ2-DS Pin Enable	0: Canceling deep software standby mode by the IRQ2-DS pin is disabled 1: Canceling deep software standby mode by the IRQ2-DS pin is enabled	R/W
b3	DIRQ3E	IRQ3-DS Pin Enable	0: Canceling deep software standby mode by the IRQ3-DS pin is disabled 1: Canceling deep software standby mode by the IRQ3-DS pin is enabled	R/W
b4	DIRQ4E	IRQ4-DS Pin Enable	0: Canceling deep software standby mode by the IRQ4-DS pin is disabled 1: Canceling deep software standby mode by the IRQ4-DS pin is enabled	R/W
b5	DIRQ5E	IRQ5-DS Pin Enable	0: Canceling deep software standby mode by the IRQ5-DS pin is disabled 1: Canceling deep software standby mode by the IRQ5-DS pin is enabled	R/W
b6	DIRQ6E	IRQ6-DS Pin Enable	0: Canceling deep software standby mode by the IRQ6-DS pin is disabled 1: Canceling deep software standby mode by the IRQ6-DS pin is enabled	R/W
b7	DIRQ7E	IRQ7-DS Pin Enable	0: Canceling deep software standby mode by the IRQ7-DS pin is disabled 1: Canceling deep software standby mode by the IRQ7-DS pin is enabled	R/W

Note: • Set the PRCR.PRC1 bit to 1 (write enabled) before rewriting this register.

DPSIER0 is not initialized by the internal reset signal used as deep software standby mode canceling source. For details, see Table 6.2, Targets Initialized by Each Reset Source.

After the setting of DPSIER0 is modified, an edge may be internally generated depending on the state of the pin, resulting in DPSIFR0 being set to 1. Therefore, DPSIFR0 should be cleared to 0 before a transition to deep software standby mode.

Even when DPSIER0 is 0, a rising edge may be internally generated at a transition to deep software standby mode with a specific pin state, resulting in DPSIFR0 being set to 1. However, when DPSIEGR0 is 0, the rising edge is not detected, resulting in DPSIFR0 not being set to 1.

11.2.13 Deep Standby Interrupt Enable Register 2 (DPSIER2)

Address(es): 0008 C284h

b7	b6	b5	b4	b3	b2	b1	b0
—	DRIICC IE	DRIICD IE	DNMIE	DRTCA IE	DRTCII E	DLVD2I E	DLVD1I E
Value after reset:	0	0	0	0	0	0	0

Bit	Symbol	Bit Name	Description	R/W
b0	DLVD1IE	LVD1 Deep Standby Cancel Signal Enable	0: Disable canceling deep software standby mode by the voltage monitoring 1 signal 1: Enable canceling deep software standby mode by the voltage monitoring 1 signal	R/W
b1	DLVD2IE	LVD2 Deep Standby Cancel Signal Enable	0: Disable canceling deep software standby mode by the voltage monitoring 2 signal 1: Enable canceling deep software standby mode by the voltage monitoring 2 signal	R/W
b2	DRTCIE	RTC Periodic Interrupt Deep Standby Cancel Signal Enable	0: Canceling deep software standby mode by the RTC periodic interrupt signal is disabled 1: Canceling deep software standby mode by the RTC periodic interrupt signal is enabled	R/W
b3	DRTCAIE	RTC Alarm Interrupt Deep Standby Cancel Signal Enable	0: Canceling deep software standby mode by the RTC alarm interrupt signal is disabled 1: Canceling deep software standby mode by the RTC alarm interrupt signal is enabled	R/W
b4	DNMIE	NMI Pin Enable	0: Canceling deep software standby mode by the NMI pin is disabled 1: Canceling deep software standby mode by the NMI pin is enabled	R/W*1
b5	DRIICDIE	SDA-DS Deep Standby Cancel Signal Enable	0: Canceling deep software standby mode by the SDA-DS signal is disabled 1: Canceling deep software standby mode by the SDA-DS signal is enabled	R/W
b6	DRIICDIE	SCL-DS Deep Standby Cancel Signal Enable	0: Canceling deep software standby mode by the SCL-DS signal is disabled 1: Canceling deep software standby mode by the SCL-DS signal is enabled	R/W
b7	—	Reserved	This bit is read as 0. The write value should be 0.	R/W

Note: • Set the PRCR.PRC1 bit to 1 (write enabled) before rewriting this register.

Note 1. 1 can be written only once. Once 1 is written to this bit, subsequent write accesses are disabled.

DPSIER2 is not initialized by the internal reset signal used as deep software standby mode canceling source. For details, see Table 6.2, Targets Initialized by Each Reset Source.

After the setting of DPSIER2 is modified, an edge may be internally generated depending on the state of the pin, resulting in DPSIFR2 being set to 1. Therefore, DPSIFR2 should be cleared to 0 before a transition to deep software standby mode.

Even when DPSIER2 is 0, a rising edge may be internally generated at a transition to deep software standby mode with a specific pin state, resulting in DPSIFR2 being set to 1. However, when DPSIEGR2 is 0, the rising edge is not detected, resulting in DPSIFR2 not being set to 1.

11.2.14 Deep Standby Interrupt Flag Register 0 (DPSIFR0)

Address(es): 0008 C286h

	b7	b6	b5	b4	b3	b2	b1	b0
	DIRQ7 F	DIRQ6 F	DIRQ5 F	DIRQ4 F	DIRQ3 F	DIRQ2 F	DIRQ1 F	DIRQ0 F
Value after reset:	0	0	0	0	0	0	0	0

Bit	Symbol	Bit Name	Description	R/W
b0	DIRQ0F	IRQ0-DS Deep Standby Cancel Flag	0: No cancel request by the IRQ0-DS pin is generated 1: A cancel request by the IRQ0-DS pin is generated	R/(W) *1
b1	DIRQ1F	IRQ1-DS Deep Standby Cancel Flag	0: No cancel request by the IRQ1-DS pin is generated 1: A cancel request by the IRQ1-DS pin is generated	R/(W) *1
b2	DIRQ2F	IRQ2-DS Deep Standby Cancel Flag	0: No cancel request by the IRQ2-DS pin is generated 1: A cancel request by the IRQ2-DS pin is generated	R/(W) *1
b3	DIRQ3F	IRQ3-DS Deep Standby Cancel Flag	0: No cancel request by the IRQ3-DS pin is generated 1: A cancel request by the IRQ3-DS pin is generated	R/(W) *1
b4	DIRQ4F	IRQ4-DS Deep Standby Cancel Flag	0: No cancel request by the IRQ4-DS pin is generated 1: A cancel request by the IRQ4-DS pin is generated	R/(W) *1
b5	DIRQ5F	IRQ5-DS Deep Standby Cancel Flag	0: No cancel request by the IRQ5-DS pin is generated 1: A cancel request by the IRQ5-DS pin is generated	R/(W) *1
b6	DIRQ6F	IRQ6-DS Deep Standby Cancel Flag	0: No cancel request by the IRQ6-DS pin is generated 1: A cancel request by the IRQ6-DS pin is generated	R/(W) *1
b7	DIRQ7F	IRQ7-DS Deep Standby Cancel Flag	0: No cancel request by the IRQ7-DS pin is generated 1: A cancel request by the IRQ7-DS pin is generated	R/(W) *1

Note: • Set the PRCR.PRC1 bit to 1 (write enabled) before rewriting this register.

Note 1. Only 0 can be written to clear the flag.

Each flag is set to 1 when a cancel request specified by DPSIEGR0 is generated.

Each flag may be set to 1 when a cancel request is generated in any mode (not even deep software standby mode) or when the setting of DPSIER0 is modified. Therefore, a transition to deep software standby mode should be made after DPSIFR0 is cleared to 00h.

To clear DPSIFR0 to 00h after modifying DPSIER0, wait for at least six PCLKB cycles, read DPSIFR0, and then write 0 to DPSIFR0. Six or more PCLKB cycles can be secured, for example, by reading DPSIER0.

DPSIFR0 is not initialized by the internal reset signal used as deep software standby mode canceling source. For details, see Table 6.2, Targets Initialized by Each Reset Source.

DIRQnF Flags (IRQn Deep Standby Cancel Flag) (n = 0 to 7)

These flags indicate that a cancel request by the IRQn-DS pin has been generated.

[Setting condition]

- A cancel request by the IRQn-DS pin specified by DPSIEGR0 is generated

[Clearing condition]

- Each bit is read as 1 and then written by 0

11.2.15 Deep Standby Interrupt Flag Register 2 (DPSIFR2)

Address(es): 0008 C288h

	b7	b6	b5	b4	b3	b2	b1	b0
	—	DRIICC IF	DRIICD IF	DNMIF	DRTCA IF	DRTCII F	DLVD2I F	DLVD1I F
Value after reset:	0	0	0	0	0	0	0	0

Bit	Symbol	Bit Name	Description	R/W
b0	DLVD1IF	LVD1 Deep Standby Cancel Flag	0: No cancel request by the voltage monitor 1 signal is generated 1: A cancel request by the voltage monitor 1 signal is generated	R/(W) *1
b1	DLVD2IF	LVD2 Deep Standby Cancel Flag	0: No cancel request by the voltage monitor 2 signal is generated 1: A cancel request by the voltage monitor 2 signal is generated	R/(W) *1
b2	DRTCIF	RTC Periodic Interrupt Deep Standby Cancel Flag	0: No cancel request by the RTC periodic interrupt signal is generated 1: A cancel request by the RTC periodic interrupt signal is generated	R/(W) *1
b3	DRTCAIF	RTC Alarm Interrupt Deep Standby Cancel Flag	0: No cancel request by the RTC alarm interrupt signal is generated 1: A cancel request by the RTC alarm interrupt signal is generated	R/(W) *1
b4	DNMIF	NMI Deep Standby Cancel Flag	0: No cancel request by the NMI pin is generated 1: A cancel request by the NMI pin is generated	R/(W) *1
b5	DRIICDIF	SDA-DS Deep Standby Cancel Flag	0: No cancel request by the SDA-DS signal is generated 1: A cancel request by the SDA-DS signal is generated	R/(W) *1
b6	DRIICCIF	SCL-DS Deep Standby Cancel Flag	0: No cancel request by the SCL-DS signal is generated 1: A cancel request by the SCL-DS signal is generated	R/(W) *1
b7	—	Reserved	This bit is read as 0. The write value should be 0.	R/W

Note: • Set the PRCR.PRC1 bit to 1 (write enabled) before rewriting this register.

Note 1. Only 0 can be written to clear the flag.

DPSIFR2 is used to indicate the sources for canceling deep software standby mode. Each flag is set to 1 when a cancel request specified by DPSIEGR2 is generated.

Each flag may be set to 1 when a cancel request is generated in any mode (not even deep software standby mode) or when the setting of DPSIER2 is modified. Therefore, a transition to deep software standby mode should be made after DPSIFR2 is cleared to 00h.

To clear DPSIFR2 to 00h after modifying DPSIER2, wait for at least six PCLKB cycles, read DPSIFR2, and then write 0 to DPSIFR2. Six or more PCLKB cycles can be secured, for example, by reading DPSIER2.

DPSIFR2 is not initialized by the internal reset signal used as deep software standby mode canceling source. For details, see Table 6.2, Targets Initialized by Each Reset Source.

DLVDmIF Flag (LVDm Deep Standby Cancel Flag) (m = 1, 2)

This flag indicates that a cancel request by the voltage monitor m signal has been generated.

[Setting condition]

- A cancel request is generated by the voltage monitoring m signal that is selected in DPSIEGR2.

[Clearing condition]

- This bit is read as 1 and then written by 0

DRTCIF Flag (RTC Periodic Interrupt Deep Standby Cancel Flag)

This flag indicates that a cancel request by the RTC periodic interrupt signal has been generated.

[Setting condition]

- A cancel request by the RTC periodic interrupt signal is generated

[Clearing condition]

- This bit is read as 1 and then written by 0

DRTCAIF Flag (RTC Alarm Interrupt Deep Standby Cancel Flag)

This flag indicates that a cancel request by the RTC alarm interrupt signal has been generated.

[Setting condition]

- A cancel request by the RTC alarm interrupt signal is generated

[Clearing condition]

- This bit is read as 1 and then written by 0

DNMIF Flag (NMI Deep Standby Cancel Flag)

This flag indicates that a cancel request by the NMI pin has been generated.

[Setting condition]

- A cancel request by the NMI pin specified by DPSIEGR2 is generated

[Clearing condition]

- This bit is read as 1 and then written by 0

DRIICDIF Flag (SDA-DS Deep Standby Cancel Flag)

This flag indicates that a cancel request by the SDA-DS signal has been generated.

[Setting condition]

- A cancel request by the SDA-DS pin specified by DPSIEGR2 is generated

[Clearing condition]

- This bit is read as 1 and then written by 0

DRIICCIF Flag (SCL-DS Deep Standby Cancel Flag)

This flag indicates that a cancel request by the SCL-DS signal has been generated.

[Setting condition]

- A cancel request by the SCL-DS pin specified by DPSIEGR2 is generated

[Clearing condition]

- This bit is read as 1 and then written by 0

11.2.16 Deep Standby Interrupt Edge Register 0 (DPSIEGR0)

Address(es): 0008 C28Ah

b7	b6	b5	b4	b3	b2	b1	b0
DIRQ7 EG	DIRQ6 EG	DIRQ5 EG	DIRQ4 EG	DIRQ3 EG	DIRQ2 EG	DIRQ1 EG	DIRQ0 EG

Value after reset: 0 0 0 0 0 0 0 0

Bit	Symbol	Bit Name	Description	R/W
b0	DIRQ0EG	IRQ0-DS Edge Select	0: A cancel request is generated at a falling edge 1: A cancel request is generated at a rising edge	R/W
b1	DIRQ1EG	IRQ1-DS Edge Select	0: A cancel request is generated at a falling edge 1: A cancel request is generated at a rising edge	R/W
b2	DIRQ2EG	IRQ2-DS Edge Select	0: A cancel request is generated at a falling edge 1: A cancel request is generated at a rising edge	R/W
b3	DIRQ3EG	IRQ3-DS Edge Select	0: A cancel request is generated at a falling edge 1: A cancel request is generated at a rising edge	R/W
b4	DIRQ4EG	IRQ4-DS Edge Select	0: A cancel request is generated at a falling edge 1: A cancel request is generated at a rising edge	R/W
b5	DIRQ5EG	IRQ5-DS Edge Select	0: A cancel request is generated at a falling edge 1: A cancel request is generated at a rising edge	R/W
b6	DIRQ6EG	IRQ6-DS Edge Select	0: A cancel request is generated at a falling edge 1: A cancel request is generated at a rising edge	R/W
b7	DIRQ7EG	IRQ7-DS Edge Select	0: A cancel request is generated at a falling edge 1: A cancel request is generated at a rising edge	R/W

Note: • Set the PRCR.PRC1 bit to 1 (write enabled) before rewriting this register.

DPSIEGR0 is not initialized by the internal reset signal that is the source to cancel the deep software standby mode. For details, see Table 6.2, Targets Initialized by Each Reset Source.

11.2.17 Deep Standby Interrupt Edge Register 2 (DPSIEGR2)

Address(es): 0008 C28Ch

b7	b6	b5	b4	b3	b2	b1	b0
—	DRIICCEG	DRIICDEG	DNMIEG	—	—	DLVD2EG	DLVD1EG

Value after reset: 0 0 0 0 0 0 0 0

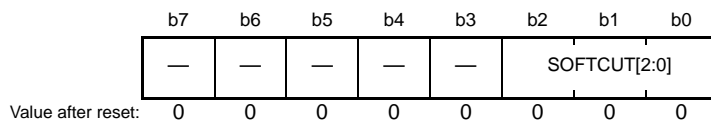
Bit	Symbol	Bit Name	Description	R/W
b0	DLVD1EG	LVD1 Edge Select	0: A cancel request is generated when VCC < Vdet1 (fall) is detected 1: A cancel request is generated when VCC ≥ Vdet1 (rise) is detected	R/W
b1	DLVD2EG	LVD2 Edge Select	0: A cancel request is generated when VCC < Vdet2 (fall) is detected 1: A cancel request is generated when VCC ≥ Vdet2 (rise) is detected	R/W
b3, b2	—	Reserved	These bits are read as 0. The write value should be 0.	R/W
b4	DNMIEG	NMI Edge Select	0: A cancel request is generated at a falling edge 1: A cancel request is generated at a rising edge	R/W
b5	DRIICDEG	SDA-DS Edge Select	0: A cancel request is generated at a falling edge 1: A cancel request is generated at a rising edge	R/W
b6	DRIICCEG	SCL-DS Edge Select	0: A cancel request is generated at a falling edge 1: A cancel request is generated at a rising edge	R/W
b7	—	Reserved	This bit is read as 0. The write value should be 0.	R/W

Note: • Set the PRCR.PRC1 bit to 1 (write enabled) before rewriting this register.

DPSIEGR2 is not initialized by the internal reset signal that is the source to cancel the deep software standby mode. For details, see Table 6.2, Targets Initialized by Each Reset Source.

11.2.18 Flash HOCO Software Standby Control Register (FHSSBYCR)

Address: 0008 C28Fh



Bit	Symbol	Bit Name	Description	R/W
b2 to b0	SOFTCUT[2:0]	Software Cut 0	<p>[Chip versions A and C]</p> <p>b2 b0</p> <p>0 0 0: Power is supplied to flash memory and HOCO in software standby mode. The voltage detection circuit (LVD) is active and the low power consumption function by the power-on reset circuit (POR) is disabled.</p> <p>0 1 0: Power is supplied to flash memory but not supplied to HOCO in software standby mode. The voltage detection circuit (LVD) is active and the low power consumption function by the power-on reset circuit (POR) is disabled.</p> <p>0 1 1: Power is not supplied to flash memory or HOCO in software standby mode. The voltage detection circuit (LVD) is active and the low power consumption function by the power-on reset circuit (POR) is disabled.</p> <p>1 0 0: Power is supplied to flash memory and HOCO in software standby mode. The voltage detection circuit (LVD) is stopped and the low power consumption function by the power-on reset circuit (POR) is enabled.</p> <p>1 1 0: Power is supplied to flash memory but not supplied to HOCO in software standby mode. The voltage detection circuit (LVD) is stopped and the low power consumption function by the power-on reset circuit (POR) is enabled.</p> <p>1 1 1: Power is not supplied to flash memory or HOCO in software standby mode. The voltage detection circuit (LVD) is stopped and the low power consumption function by the power-on reset circuit (POR) is enabled.</p> <p>[Chip version B]</p> <p>b2 b0</p> <p>0 0 0: Power is supplied to HOCO in software standby mode. The voltage detection circuit (LVD) is active and the low power consumption function by the power-on reset circuit (POR) is disabled.</p> <p>0 1 x: Power is not supplied to HOCO in software standby mode. The voltage detection circuit (LVD) is active and the low power consumption function by the power-on reset circuit (POR) is disabled.</p> <p>1 0 0: Power is supplied to HOCO in software standby mode. The voltage detection circuit (LVD) is stopped and the low power consumption function by the power-on reset circuit (POR) is enabled.</p> <p>1 1 x: Power is not supplied to HOCO in software standby mode. The voltage detection circuit (LVD) is stopped and the low power consumption function by the power-on reset circuit (POR) is enabled.</p> <p>Settings other than above are prohibited.</p>	R/W
b7 to b3	—	Reserved	These bits are read as 0. The write value should be 0.	R/W

x: Don't care.

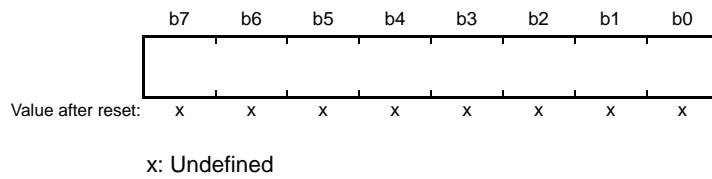
Note: • Set the PRCR.PRC1 bit to 1 (write enabled) before rewriting this register.

To use the voltage detection circuit (LVD) in software standby mode, set the SOFTCUT[2] bit to 0. To stop the voltage detection circuit (LVD) for reducing power consumption and enable the low power consumption function of the power-on reset circuit, set the SOFTCUT[2] bit to 1.

FHSSBYCR is not initialized by the internal reset signal that is the source to cancel the deep software standby mode. For details, see Table 6.2, Targets Initialized by Each Reset Source.

11.2.19 Deep Standby Backup Register (DPSBK_{Ry}) (y = 0 to 31)

Address(es): 0008 C2A0h to 0008 C2BFh



DPSBK_{Ry} is a 32-byte readable/writable register to store data during deep software standby mode. DPSBK_{Ry} is not initialized, and the register value is undefined immediately after power-on.

11.3 Reducing Power Consumption by Switching Clock Signals

When the SCKCR.FCK[3:0], ICK[3:0], BCK[3:0], PCKB[3:0], and PCKD[3:0] bits are set, the clock frequency changes. The CPU, DMAC, DTC, ROM, and RAM operate on the operating clock specified by the ICK[3:0] bits.

Peripheral modules operate on the operating clock specified by the PCKB[3:0], and PCKD[3:0] bits.

The flash memory interface operates on the operating clock specified by the FCK[3:0] bits.

The external bus operates on the operating clock specified by the BCK[3:0] bits. For details, see section 9, Clock Generation Circuit.

11.4 Module Stop Function

The module stop function can be set for each on-chip peripheral module.

When the MSTPmi bit (m = A to C, i = 0 to 31) in MSTPCRA to MSTPCRC is set to 1, the specified module stops operating and enters the module stop state, but the CPU continues to operate independently. Clearing the MSTPmi bit to 0 cancels the module stop state, allowing the module to restart operating at the end of the bus cycle. The internal states of modules are retained in the module stop state.

After a reset is canceled, all modules other than the DMAC, DTC, and RAM are placed in the module stop state. Though read/write access cannot be made to the registers of the module that are in the module stop state, some registers may be written to directly after the setting to the module stop state. Therefore, care should be paid.

11.5 Function for Lower Operating Power Consumption

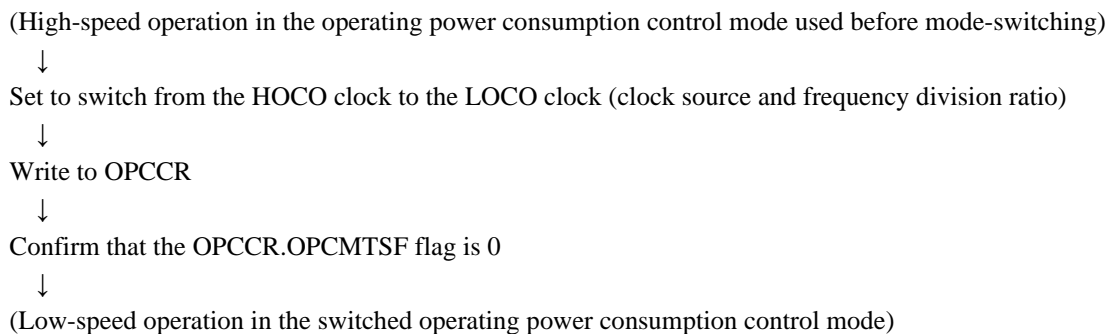
By selecting an appropriate operating power consumption control mode according to the operating frequency and operating voltage, power consumption can be reduced in normal operation, sleep mode and all-module clock stop mode.

11.5.1 Setting Operating Power Control Mode

Examples of the procedures for switching operating power consumption control modes are shown below:

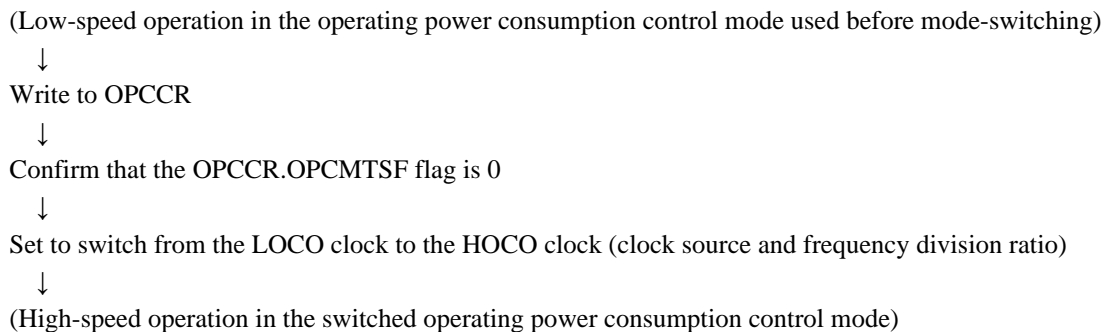
(1) Switching from Normal Power Consumption Mode to Low Power Consumption Mode

Example: From high-speed operating mode to low-speed operating mode 1



(2) Switching from Low Power Consumption Mode to Normal Power Consumption Mode

Example: From low-speed operating mode 2 to high-speed operating mode



The method described below can be used to shorten the time taken by transitions between modes.

- In cases where the transition is from a mode with higher to a mode with lower power consumption, the transition takes the shortest time when the system clock is set to the value for the highest available frequency after the transition.
- In cases where the transition is from a mode with lower to a mode with higher power consumption, the transition also takes the shortest time when the system clock is set to the value for the highest available frequency before the transition.

11.6 Low Power Consumption Modes

11.6.1 Sleep Mode

11.6.1.1 Transition to Sleep Mode

When the WAIT instruction is executed while the SBYCR.SSBY bit is 0, the CPU enters sleep mode. In sleep mode, the CPU stops operating but the contents of its internal registers are retained. Other peripheral functions do not stop.

When the WDT is used, the WDT stops counting when sleep mode is entered.

Counting by the IWDT stops if a transition to sleep mode is made while the IWDT is being used in auto-start mode and the OFS0.IWDTSLCSTP bit is 1. In the same way, counting by the IWDT stops if a transition to sleep mode is made while the IWDT is being used in register start mode and the SLCSTP bit in IWDTCSSTPR is 1.

Furthermore, counting by the IWDT continues if a transition to sleep mode is made while the IWDT is being used in auto-start mode and the OFS0.IWDTSLCSTP bit is 0 (counting by the IWDT continues through transitions to low power consumption modes). In the same way, counting by the IWDT continues if a transition to sleep mode is made while the IWDT is being used in register start mode and the SLCSTP bit in IWDTCSSTPR is 0.

To use sleep mode, make the following settings and then execute a WAIT instruction.

- (1) Clear the PSW.I bit*¹ of the CPU to 0.
- (2) Set the interrupt destination to be used for recovery from sleep mode to the CPU.
- (3) Set the priority*² of the interrupt to be used for recovery from sleep mode to a level higher than the setting of the PSW.IPL[3:0] bits*¹ of the CPU.
- (4) Set the IERm.IENj bit*² for the interrupt to 1.
- (5) For the last I/O register to which writing proceeded, read the register to confirm that the value written has been reflected.
- (6) Execute the WAIT instruction (this automatically sets the I bit*¹ in the PSW of the CPU to 1).

Note 1. For details, see section 2, CPU.

Note 2. For details, see section 14, Interrupt Controller (ICUb).

11.6.1.2 Canceling Sleep Mode

Sleep mode is canceled by any interrupt, the reset signal from the RES# pin, a power-on reset, a voltage monitoring reset, or a reset caused by an IWDT underflow.

- Canceling by an interrupt
When an interrupt occurs, sleep mode is canceled and the interrupt exception handling starts. If a maskable interrupt has been masked by the CPU (the priority level*¹ of the interrupt has been set to a value lower than that of the PSW.IPL[3:0] bits*² of the CPU), sleep mode is not canceled.
- Canceling by the RES# pin
When the RES# pin is driven low, the LSI enters the reset state. When the RES# pin is driven high after the reset signal is input for a predetermined time period, the CPU starts the reset exception handling.
- Canceling by a power-on reset
Sleep mode is canceled by a power-on reset.
- Canceling by a voltage monitoring reset
Sleep mode is canceled by a voltage monitoring reset from the voltage detection circuit.
- Canceling by the independent watchdog timer reset
Sleep mode is canceled by an internal reset generated by an IWDT underflow. However, when such conditions are set that stop IWDT counting in sleep mode (OFS0.IWDTSTRT = 0 and OFS0.IWDTSLCSTP = 1, or OFS0.IWDTSTRT = 1 and IWDTCSSTPR.SLCSTP = 1), the IWDT is stopped and sleep mode cannot be canceled by the independent watchdog timer reset.

Note 1. For details, see section 14, Interrupt Controller (ICUb).

Note 2. For details, see section 2, CPU.

11.6.1.3 Sleep Mode Return Clock Source Switching Function

To switch the clock source used on return from sleep mode, the clock used after return needs to be set by the sleep mode return clock source switching register (RSTCKCR) and the wait control register needs to be set for each clock source. When the return interrupt is generated, after oscillation settling of the oscillator specified as the return clock, the clock source is automatically switched, and then operation returns from sleep mode. At this time, the registers related to clock source switching are automatically rewritten.

For details, see section 11.2.6, Sleep Mode Return Clock Source Switching Register (RSTCKCR). In addition, for details on the oscillation stabilization wait time, see section 11.2.7, Main Clock Oscillator Wait Control Register (MOSCWTCR) (chip versions B and C) and section 11.2.10, HOCO Wait Control Register 2 (HOCOWTCR2).

If a transition is made to sleep mode with the SBYCR.SSBY bit being 1 (oscillation stop detection function enabled), the sleep mode return clock source switching function is disabled.

11.6.2 All-Module Clock Stop Mode

11.6.2.1 Transition to All-Module Clock Stop Mode

After setting the MSTPCRA.ACSE bit to 1 and placing modules controlled by MSTPCRA, MSTPCRB, and MSTPCRC registers in the module stop state (MSTPCRA = FFFF FF[C-F]Fh, MSTPCRB = FFFF FFFFh, MSTPCRC[31:16] = FFFFh), executing a WAIT instruction while the SBYCR.SSBY bit is 0 stops the bus controller, I/O ports, and all modules except for the 8-bit timers*¹, POE*⁵, IWDT, RTC, power-on reset circuit, voltage detection circuit at the end of the current bus cycle, and the chip enters all-module clock stop mode*².

When the WDT is used, the WDT stops counting when all-module clock stop mode is entered.

Counting by the IWDT stops if a transition to all-module clock-stop mode is made while the IWDT is being used in auto-start mode and the OFS0.IWDTSLCSTP bit is 1. In the same way, counting by the IWDT stops if a transition to all-module clock-stop mode is made while the IWDT is being used in register start mode and the SLCSTP bit in IWDTCSTPR is 1.

Furthermore, counting by the IWDT continues if a transition to all-module clock-stop mode is made while the IWDT is being used in auto-start mode and the OFS0.IWDTSLCSTP bit is 0 (counting by the IWDT continues through transitions to low power consumption modes). In the same way, counting by the IWDT continues if a transition to all-module clock stop mode is made while the IWDT is being used in register start mode and the SLCSTP bit in IWDTCSTPR is 0.

To use all-module clock stop mode, make the following settings and then execute a WAIT instruction.

- (1) Clear the PSW.I bit*³ of the CPU to 0.
- (2) Set the interrupt destination to be used for recovery from all-module clock stop mode to the CPU.
- (3) Set the priority*⁴ of the interrupt to be used for recovery from all-module clock stop mode to a level higher than the setting of the PSW.IPL[3:0] bits*³ of the CPU.
- (4) Set the IERm.IENj bit*⁴ for the interrupt to be used for recovery from all-module clock stop mode to 1.
- (5) For the last I/O register to which writing proceeded, read the register to confirm that the value written has been reflected.
- (6) Execute a WAIT instruction (executing a WAIT instruction causes automatic setting of the PSW.I bit*³ of the CPU to 1).

Note 1. The MSTPCRA.MSTPA4 and MSTPA5 bits select operation or stop of these modules.

Note 2. Transitions to all-module clock stop mode are not to be made in some states of DTC or DMAC operations. Before setting the MSTPCRA.MSTPA28 bit to 1, clear the DMAST.DMST bit of the DMAC and the DTCST.DTCST bit of the DTC so that the DTC and DMAC are not activated.

Note 3. For details, see section 2, CPU.

Note 4. For details, see section 14, Interrupt Controller (ICUb).

Note 5. When a POE interrupt source condition is satisfied while the setting to enable POE interrupts is in place, recovery from all-module clock stop mode does not proceed but the flag to indicate satisfaction of the source condition is retained. If a different source leads to recovery from all-module clock stop mode in this situation, a POE interrupt is generated after recovery.

11.6.2.2 Canceling All-Module Clock Stop Mode

Release from all-module clock stop mode is initiated by an external pin interrupt (the NMI or IRQ0 to IRQ7), a peripheral interrupt (8-bit timer*¹, RTC alarm, RTC periodic, IWDT*², voltage monitoring 1, voltage monitoring 2, or oscillator-stopped detection interrupt), a RES# pin reset, a power-on reset, a voltage monitoring reset, or an independent watchdog timer reset, and the transition to the normal program execution state proceeds via exception processing for the given interrupt or reset.

However, note that in cases where a maskable interrupt has been masked by the CPU (priority level*³ of the interrupt has been set to a value lower than that of the PSW.IPL[3:0] bits*⁴ of the CPU) or a maskable interrupt has been set up as a trigger to activate the DTC or DMAC, the interrupt will not cancel all-module clock stop mode.

Note 1. The MSTPA4 and MSTPA5 bits of MSTPCRA select operation or stopping of these modules.

Note 2. If a condition for the independent watchdog timer to stop counting applied (OFS0.IWDTSTRT = 0 and OFS0.IWDTSLCSTP = 1, or OFS0.IWDTSTRT = 1 and IWDTCSTPR.SLCSTP = 1) at the time of a transition to all-module clock stop mode, using a reset from the independent watchdog timer to release the chip from all-module clock stop mode is impossible because the independent watchdog timer is stopped.

Note 3. For details, see section 14, Interrupt Controller (ICUb).

Note 4. For details, see section 2, CPU.

11.6.3 Software Standby Mode

11.6.3.1 Transition to Software Standby Mode

When a WAIT instruction is executed with the SBYCR.SSBY bit set to 1 and the DPSBYCR.DPSBY bit cleared to 0, a transition to software standby mode is made. In this mode, the CPU, on-chip peripheral functions, and all the oscillator functions stop. However, the contents of the CPU internal registers, RAM data, on-chip peripheral functions, and the states of the I/O ports are retained. Whether the address bus and bus control signals are placed in the high-impedance or the output state is retained can be specified by the SBYCR.OPE bit. Software standby mode allows significant reduction in power consumption because the oscillator stops in this mode.

Further reduction of power consumption is possible by using the FHSSBYCR register.

[Chip Versions A and C]

Placing the chip on software standby stops the supply of power to the internal ROM if the setting of the FHSSBYCR.SOFTCUT0 bit is 1 and stops the supply of power to the high-speed on-chip oscillator if the setting of the FHSSBYCR.SOFTCUT1 bit is 1. If the setting of the FHSSBYCR.SOFTCUT2 bit is 1, the low-voltage-detection circuit (LVD) is stopped and the low power consumption function of the power-on reset circuit is enabled. This alters the electrical characteristics of the power-on reset circuit. For details, refer to section 42, Electrical Characteristics.

[Chip Version B]

When the chip is placed on software standby while the setting of the FHSSBYCR.SOFTCUT[2:0] bits is 000'b, the internal supply of power to the high-speed on-chip oscillator and power-on reset circuit is continued, and since a period of waiting for the rising power-supply voltage to become stable on return from standby is not required with this setting but is required with the others, return from standby requires a shorter time than with any other setting.

Placing the chip on software standby when the setting of the FHSSBYCR.SOFTCUT[2:0] bits is 010'b stops the supply of power to the high-speed on-chip oscillator and, since this internal low power consumption function is enabled, reduces the amount of current drawn.

Placing the chip on software standby when the setting of the FHSSBYCR.SOFTCUT[2:0] bits is 100'b stops the low-voltage-detection circuit, and enables the low power consumption function of the power-on reset circuit, further reducing the amount of current drawn. This alters the electrical characteristics of the power-on reset circuit. For details, refer to section 42, Electrical Characteristics.

When the setting of the FHSSBYCR.SOFTCUT[2:0] bits is 110'b, the supply of power to the high-speed on-chip oscillator is stopped and the internal low power consumption function is enabled. Since the low-voltage-detection circuit is also stopped and the low power consumption function of the power-on reset circuit is enabled, current drawn is markedly reduced. The electrical characteristics of the power-on reset circuit also change in this case. For details, refer to section 42, Electrical Characteristics.

If the PLL and high-speed on-chip oscillator are not to be used, supply current can be further reduced by setting the PLLPCR.PLLPCNT and HOCOPCR.HOCOPCNT bits to shut off the supply of power to the respective modules. For details, refer to section 9, Clock Generation Circuit.

Clear the DMAST.DMST bit of the DMAC and the DTCST.DTCST bit of the DTC to 0 before executing the WAIT instruction.

When the WDT is used, the WDT stops counting when software standby mode is entered because the oscillator stops. Counting by the IWDT stops if a transition to software standby mode is made while the IWDT is being used in auto-start mode and the OFS0.IWDTSLCSTP bit is 1. In the same way, counting by the IWDT stops if a transition to software standby mode is made while the IWDT is being used in register start mode and the SLCSTP bit in IWDTCSSTPR is 1. Counting by the IWDT stops if a transition to software standby mode is made while the IWDT is being used in auto-start mode and the OFS0.IWDTSLCSTP bit is 1. In the same way, counting by the IWDT stops if a transition to software standby mode is made while the IWDT is being used in register start mode and the SLCSTP bit in IWDTCSSTPR is 1. Furthermore, counting by the IWDT continues if a transition to software standby mode is made while the IWDT is being

used in auto-start mode and the OFS0.IWDTSLCSTP bit is 0 (counting by the IWDT continues through transitions to low power consumption modes). In the same way, counting by the IWDT continues if a transition to software standby mode is made while the IWDT is being used in register start mode and the SLCSTP bit in IWDTCSSTPR is 0.

When the oscillation stop detection function is enabled (OSTDCR.OSTDE = 1), software standby mode cannot be entered. To make a transition to software standby mode, execute a WAIT instruction after disabling the oscillation stop detection function (OSTDCR.OSTDE = 0).

To use software standby mode, make the following settings and then execute a WAIT instruction.

- (1) Clear the PSW.I bit*¹ of the CPU to 0.
- (2) Set the interrupt destination to be used for recovery from software standby mode to the CPU.
- (3) Set the priority*² of the interrupt to be used for recovery from software standby mode to a level higher than the setting of the PSW.IPL[3:0] bits*¹ of the CPU.
- (4) Set the IERm.IENj bit*² for the interrupt to be used for recovery from software standby mode to 1.
- (5) For the last I/O register to which writing proceeded, read the register to confirm that the value written has been reflected.
- (6) Execute a WAIT instruction (executing a WAIT instruction causes automatic setting of the PSW.I bit*¹ of the CPU to 1).

Note 1. For details, see section 2, CPU.

Note 2. For details, see section 14, Interrupt Controller (ICUb).

11.6.3.2 Canceling Software Standby Mode

Release from software standby mode is initiated by an external pin interrupt (the NMI or IRQ0 to IRQ7), peripheral interrupts (the RTC alarm, RTC periodic, IWDT, voltage monitoring 1, and voltage monitoring 2 interrupts), an RES# pin reset, a power-on reset, a voltage monitoring reset, or an independent watchdog timer reset. When an interrupt initiates release from software standby, the oscillators which were operating before the transition to software standby are restarted. After the oscillation of all these oscillators has been stabilized, operation returns from software standby mode.

- Release due to an interrupt

When an interrupt request from among the NMI, IRQ0 to IRQ7, RTC alarm, RTC periodic, IWDT, voltage monitoring 1, and voltage monitoring 2 interrupts is generated, each of the oscillators which was operating before the transition to software standby mode resumes oscillation. After the time set by the MOSCWTCR.MSTS[4:0], SOSCWTCR.SSTS[4:0], HOCOWTCR2.HSTS2[3:0], or PLLWTCR.PSTS[4:0] bits has elapsed, the chip is released from software standby mode and starts interrupt exception processing.

- Release due to a reset on the RES# pin

Clock oscillation starts when the low level is applied to the RES# pin. Clock supply for the LSI starts at the same time. Keep the level on the RES# pin low over the time required for oscillation of the clocks to become stable. Reset exception processing starts when the high level is applied to the RES# pin.

- Release due to a power-on reset

Release from software standby mode proceeds after a fall in the power-supply voltage leads to the generation of a power-on reset.

- Release due to a voltage monitoring reset

Release from software standby mode proceeds after a fall in the power-supply voltage leads to the generation of a voltage monitoring reset.

- Release due to an independent watchdog timer reset

An internal reset due to an underflow of the IWDT leads to release from software standby mode.

However, if a condition for the independent watchdog timer to stop counting applied (OFS0.IWDTSTRT = 0 and OFS0.IWDTSLCSTP = 1, or OFS0.IWDTSTRT = 1 and IWDTCSTPR.SLCSTP = 1) at the time of a transition to software standby, using a reset from the independent watchdog timer to release the chip from software standby is impossible because the independent watchdog timer is stopped.

11.6.3.3 Example of Software Standby Mode Application

Figure 11.8 shows an example where a transition to software standby mode is made at the falling edge of the IRQn pin, and software standby mode is canceled at the rising edge of the IRQn pin.

In this example, an IRQn interrupt is accepted with the IRQCRi.IRQMD[1:0] bits of the ICU set to 01b (falling edge), and then the IRQCRi.IRQMD[1:0] bits are set to 10b (rising edge). After that, the SBYCR.SSBY bit is set to 1 and the WAIT instruction is executed. Thus a transition to software standby mode is made. After that, software standby mode is canceled at the rising edge of the IRQn pin.

To return from software standby mode, settings of the interrupt controller (ICU) are also necessary. For details, see section 14, Interrupt Controller (ICUb).

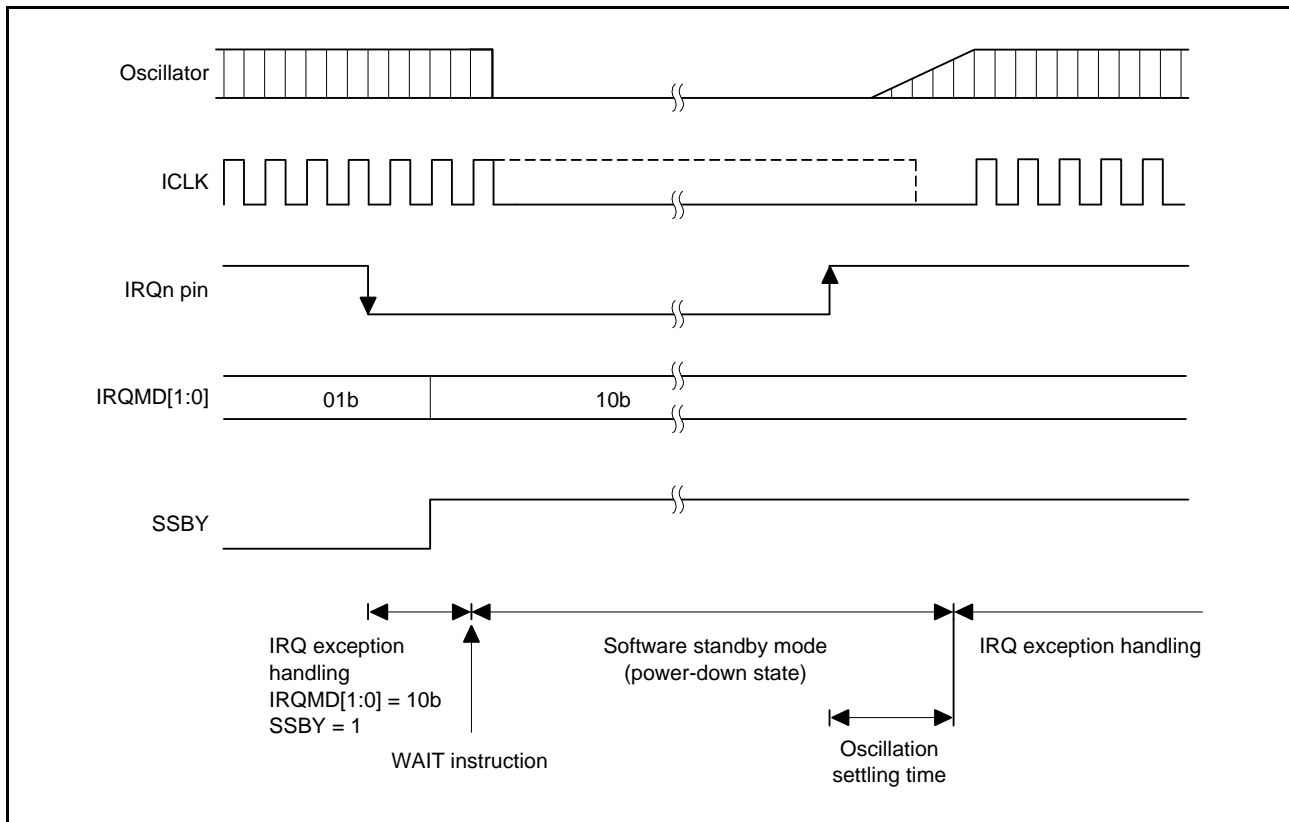


Figure 11.8 Example of Software Standby Mode Application

11.6.4 Deep Software Standby Mode

11.6.4.1 Transition to Deep Software Standby Mode

When the WAIT instruction is executed with the SBYCR.SSBY bit set to 1, a transition to software standby mode*¹ is made. At this time, when the DPSBYCR.DPSBY bit is set to 1, a transition to deep software standby mode is made. On deep software standby mode, the CPU, internal peripheral modules (except for the RTC alarm, RTC periodic, SCL-DS, and SDA-DS) and all functions of the oscillators are stopped; furthermore, since the internal supply of power for these modules is stopped, power consumption is markedly reduced. At this time, the contents of all the registers of the CPU and on-chip peripheral modules (except for the RTC alarm, RTC periodic, SCL-DS, SDA-DS) and the RAM data become undefined.

When the DEEPCUT1 bit is set to 1, the voltage detection circuit is stopped and the power consumption reduction function by the power-on reset circuit is enabled, thus further reducing power consumption. This varies the voltage detection characteristic of the power-on reset circuit. For details, refer to **section 42, Electrical Characteristics**.

When the WDT is in use, since the oscillators and power supply to the WDT are stopped by the transition to deep software standby mode, counting also stops.

Power supply to the IWDT-dedicated LOCO and the IWDT is stopped and counting by the IWDT stops if a transition to deep software standby mode is made while the IWDT is being used in auto-start mode and the OFS0.IWDTSLCSTP bit is 1. In the same way, power supply to the IWDT-dedicated LOCO and the IWDT is stopped and counting by the IWDT stops if a transition to deep software standby mode is made while the IWDT is being used in register start mode and the SLCSTP bit in IWDTCSTPR is 1.

Furthermore, counting by the IWDT continues if a transition to software standby mode is made but not to deep software standby mode while the IWDT is being used in auto-start mode and the OFS0.IWDTSLCSTP bit is 0 (counting by the IWDT continues through transitions to low power consumption modes). In the same way, counting by the IWDT continues if a transition to software standby mode is made but not to deep software standby mode while the IWDT is being used in register start mode and the SLCSTP bit in IWDTCSTPR is 0.

When the voltage monitoring 1 reset function (LVD1CR0.LVD1RI = 1) or voltage monitoring 2 reset function (LVD2CR0.LVD2RI = 1) is selected for the voltage detection circuit, a transition to deep software standby mode cannot be made, but to software standby.

The I/O port states remain unchanged from software standby mode.

Note 1. Conditions on the DTC, DMAC, and IWDT for transition to software standby mode should be met before the WAIT instruction is executed. For details, see section 11.6.3, Software Standby Mode.

11.6.4.2 Canceling Deep Software Standby Mode

Release from deep software standby mode is initiated by any of the external pin interrupt source pins (the NMI, IRQ0-DS to IRQ7-DS, SCL-DS, or SDA-DS, peripheral interrupts (the RTC alarm, RTC periodic, voltage monitoring 1, and voltage monitoring 2 interrupts), an RES# pin reset, a power-on reset, or a voltage monitoring 0 reset.

(1) Canceling by an external interrupt pin or internal interrupt signal

Cancellation of deep software standby mode is controlled by DPSIERn (n = 0, 2) and DPSIFRn (n = 0, 2). When a deep software standby canceling interrupt is generated, the corresponding flag in DPSIFRn is set to 1. At this time, if the canceling source is enabled in DPSIERn, deep software standby mode is canceled. Rising edge or falling edge can be selected by DPSIEGRn (n = 0, 2). The interrupts for which an edge can be selected are the NMI, IRQ0-DS to IRQ7-DS, SCL-DS, SDA-DS, voltage monitoring 1, and voltage monitoring 2 interrupts.

When a deep software standby mode canceling source is generated, the internal power supply and LOCO clock oscillation begin, and then the internal reset (deep software standby reset) is generated for the entire LSI.

A stable LOCO clock is then supplied to the entire LSI and deep software standby reset is canceled. At the same time, deep software standby mode is canceled and the reset exception handling starts.

When deep software standby mode is canceled by an external interrupt pin or internal interrupt signal, the RSTSR0.DPSRSTF flag is set to 1.

(2) Release due to a reset on the RES# pin

Deep software standby mode is canceled when the low level is applied to the RES# pin.

At this time, the RES# pin should be held low according to the specifications described in section 42, Electrical Characteristics. Reset exception processing starts when the high level is applied to the RES# pin.

(3) Release due to a power-on reset

Release from deep software standby mode proceeds after a fall in the power-supply voltage leads to the generation of a power-on reset.

(4) Release due to a voltage monitoring 0 reset

Release from deep software standby mode proceeds after a fall in the power-supply voltage leads to the generation of a voltage monitoring 0 reset.

11.6.4.3 Pin States when Deep Software Standby Mode is Canceled

In deep software standby mode, the I/O ports retain the same states from software standby mode. The inside of the LSI is initialized by an internal reset generated when deep software standby mode is canceled. Upon cancellation of deep software standby mode, the reset exception handling starts immediately. The following shows the states of I/O ports at this time.

Whether to initialize the I/O ports or to keep retaining the I/O port states at the time of software standby mode can be selected by the DPSBYCR.IOKEEP bit.

- When the DPSBYCR.IOKEEP bit = 0

I/O ports are initialized by an internal reset generated when deep software standby mode is canceled.

- When the DPSBYCR.IOKEEP bit = 1

Although the inside of the LSI is initialized by an internal reset generated when deep software standby mode is canceled, I/O ports keep retaining their states from software standby mode regardless of the LSI internal state. At this time, the I/O port states remain unchanged from software standby mode even if settings of I/O ports or peripheral modules are made. Then, the retained I/O port states are released by clearing the DPSBYCR.IOKEEP bit to 0, and the LSI operates according to the internal state.

The DPSBYCR.IOKEEP bit is not initialized by an internal reset generated when deep software standby mode is canceled.

11.6.4.4 Example of Deep Software Standby Mode Application

Figure 11.9 shows an example where a transition to deep software standby mode is made at the falling edge of the IRQn-DS pin, and deep software standby mode is canceled at the rising edge of the IRQn-DS pin. In this example, an IRQn interrupt is accepted with the IRQCRi.IRQMD[1:0] bits of the ICU set to 01b (falling edge). Then, after the DPSIEGR0.DIRQnEG (n = 0 to 7) bit is set to 1 (rising edge) and the SBYCR.SSBY bit and DPSBYCR.DPSBY bit are both set to 1, the WAIT instruction is executed. Thus a transition to deep software standby mode is made. After that, deep software standby mode is canceled at the rising edge of the IRQ-DS pin.

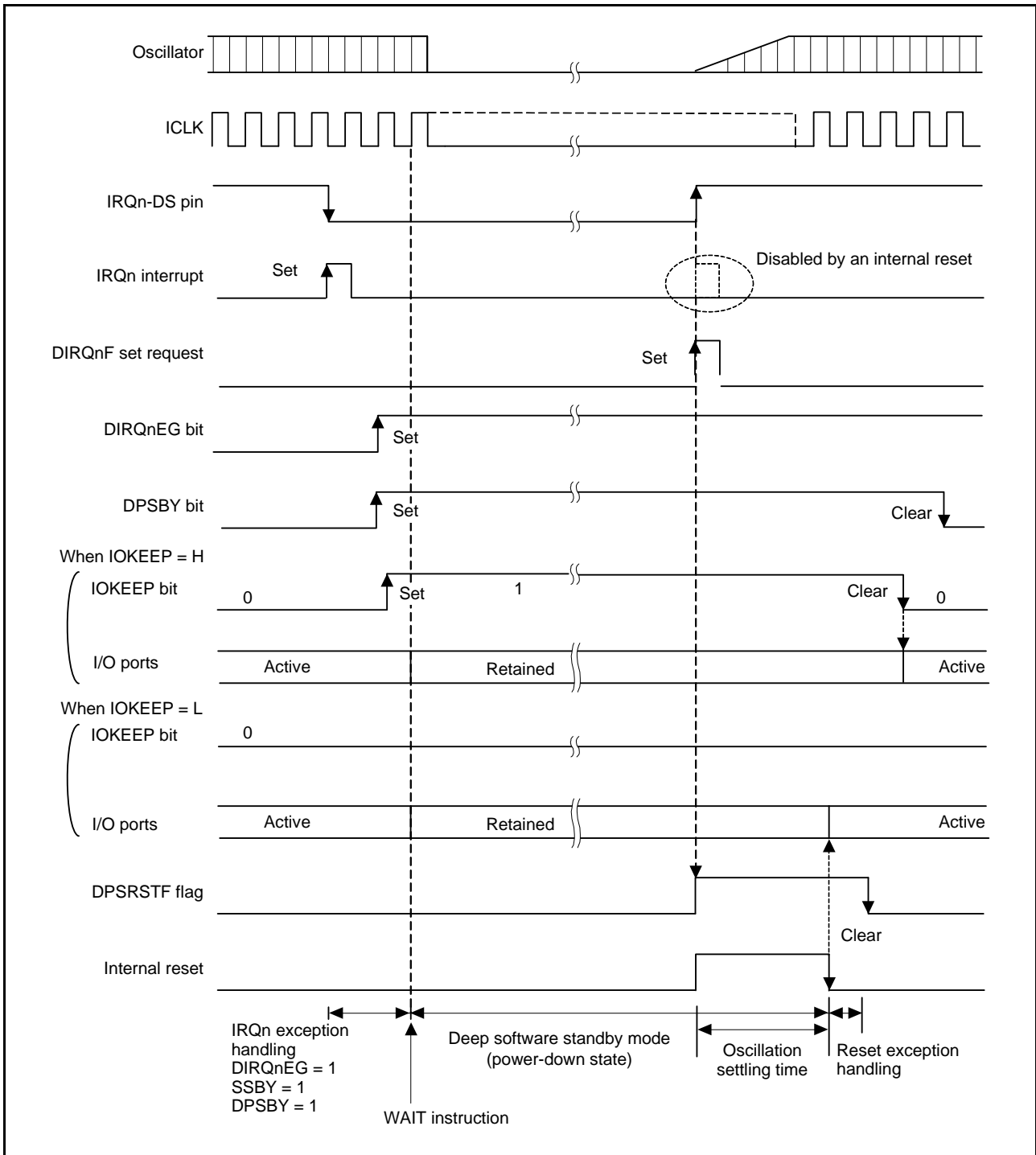


Figure 11.9 Example of Deep Software Standby Mode Application

11.6.4.5 Flowchart to Use Deep Software Standby Mode

Figure 11.10 shows an example of a flowchart to use deep software standby mode.

In this example, the RSTSR0.DPSRSTF flag of the reset function is read after the reset exception handling to determine whether a reset was generated by the RES# pin or by the cancellation of deep software standby mode.

In the case of a reset by the RES# pin, a transition to deep software standby mode is made after the required register settings have been made.

In the case of a reset by the cancellation of deep software standby mode, the DPSBYCR.IOKEEP bit is cleared to 0 after the I/O port settings have been made.

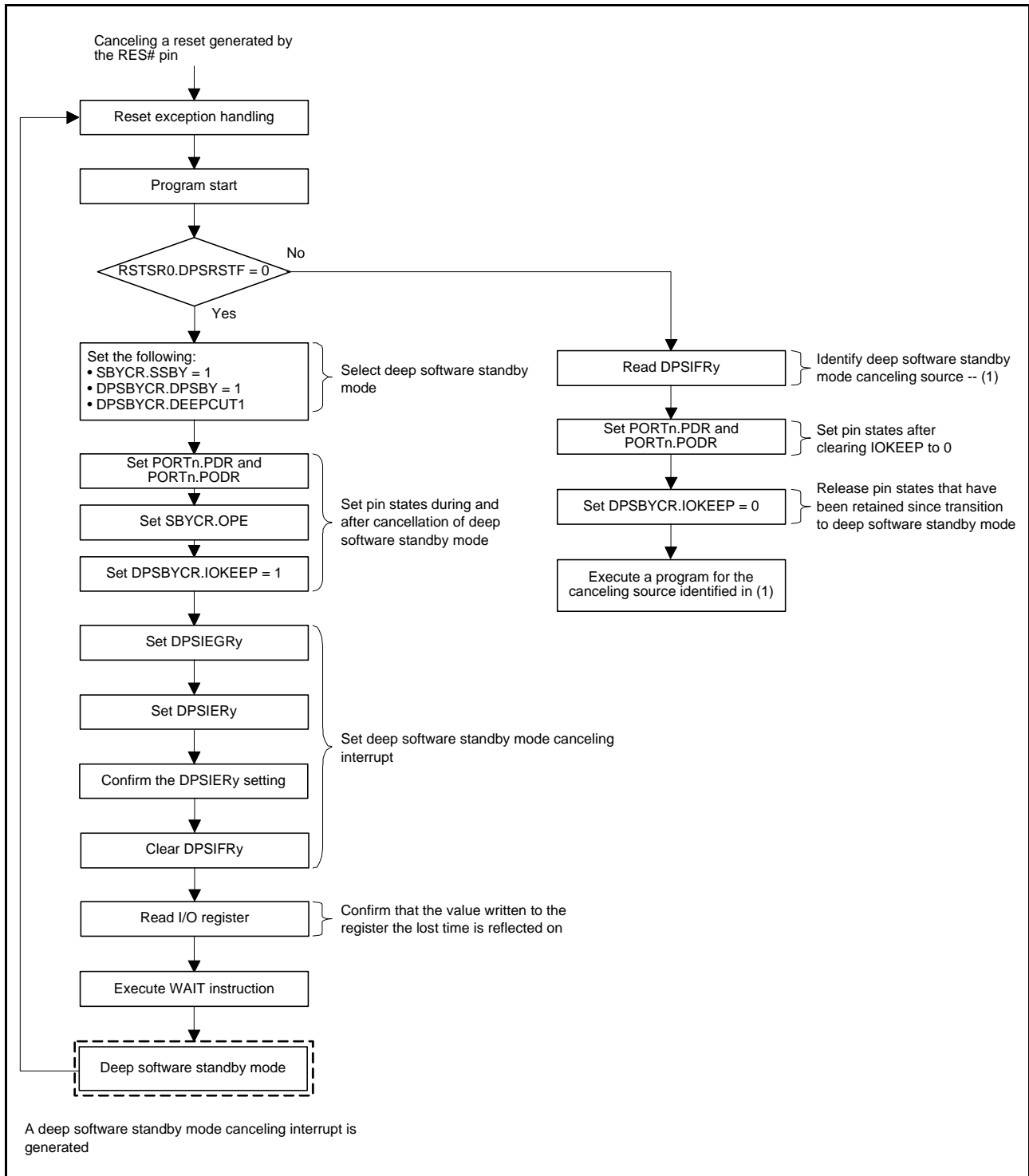


Figure 11.10 Example of Flowchart to Use Deep Software Standby Mode

11.7 Usage Notes

11.7.1 I/O Port States

I/O port states are retained in software standby mode and deep software standby mode. Therefore, the supply current is not reduced while output signals are held high.

11.7.2 Module Stop State of DMAC and DTC

Before setting the MSTPCRA.MSTPA28 bit to 1, clear the DMAST.DMST bit of the DMAC and the DTCST.DTCST bit of the DTC to 0 so that the DMAC and DTC are not activated.

For details, see section 16, DMA Controller (DMACA) and section 17, Data Transfer Controller (DTCa).

11.7.3 On-Chip Peripheral Module Interrupts

Interrupts do not operate in the module stop state. Therefore, if the module stop state is made after an interrupt request is generated, a CPU interrupt source or a DMAC or DTC startup source cannot be cleared. For this reason, disable interrupts before entering the module stop state.

11.7.4 Write Access to MSTPCRA, MSTPCRB, and MSTPCRC

Write accesses to MSTPCRA, MSTPCRB, and MSTPCRC should be made only by the CPU.

11.7.5 Input Buffer Control by DIRQnE Bit (n = 0 to 7)

Setting the DPSIER0.DIRQnE (n = 0 to 7) bit to 1 enables the input buffer of the IRQ0-DS to IRQ7-DS pins. Therefore, note that, although inputs to these pins are sent to the DPSIFRy.DIRQnF (n = 0 to 7) bits, they are not sent to the interrupt controller, peripheral modules, and I/O ports.

11.7.6 Timing of WAIT Instructions

The WAIT instruction is executed before completion of the preceding register write. The WAIT instruction may be executed before the register setting modification is reflected, causing unintended operation. To avoid this, always execute the WAIT instruction after confirming that the last write to the register has completed.

11.7.7 Rewrite the Register by DMAC and DTC in Sleep Mode

The WDT stops in sleep mode. Do not set up the DMAC and DTC to rewrite any registers related to the WDT while the chip is in sleep mode.

According to the settings of the OFS0.IWDTSLCSTP bit and IWDTDCSTPR.SLCSTP bit, the IWDT may also stop in sleep mode. If that is the case, do not set up the DMAC and DTC to rewrite any registers related to the IWDT in sleep mode.

The RSTCKCR register can be set so that the clock source is switched on recovery from sleep mode. For this reason, rewriting the register while the chip is in sleep mode may lead to unintended operation, so do not allow rewriting of the RSTCKCR register in sleep mode.

11.7.8 Canceling All-Module Clock Stop Mode

If the ICLK is set so as to be slower than the PCLKB, a TMR interrupt cannot be used to cancel all-module clock stop mode. To use the TMR interrupt as the all-module clock stop mode canceling source, change the ICLK so as to be faster than the PCLKB before all-module clock stop mode is entered.

11.7.9 Point for Caution when Using the Sub-Clock as the Source of the System Clock

If the sub-clock is in use as the source of the system clock, make sure that the RTC or the low-speed clock oscillator is operating (by setting the RCR3.RTCEN = 1 or the LOCOCR.LCSTP = 0, respectively) for a transition to software standby mode.

12. Register Write Protection Function

The register write protection function protects important registers from being overwritten for in case a program runs out of control. The registers to be protected are set with the protect register (PRCR).

Table 12.1 lists the association between the PRCR bits and the registers to be protected.

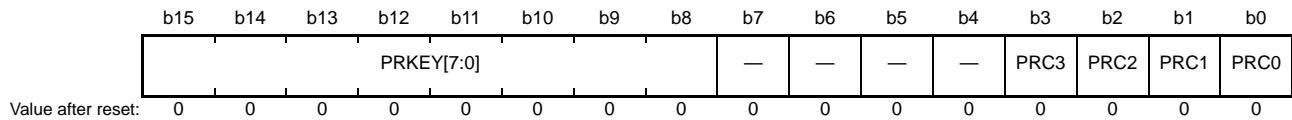
Table 12.1 Association between PRCR Bits and Registers to be Protected

PRCR Bit	Register to be Protected
PRC0	<ul style="list-style-type: none"> Registers related to the clock generation circuit: SCKCR, SCKCR3, PLLCR, PLLCR2, BCKCR, MOSCCR, SOSCCR, LOCOCR, ILOCOCR, HOCOGR, OSTDCR, OSTDSR, HOCOGR2
PRC1	<ul style="list-style-type: none"> Registers related to the operating modes: SYSCR0, SYSCR1 Registers related to the low power consumption functions: SBYCR, MSTPCRA, MSTPCRB, MSTPCRC, OPCCR, RSTCKCR, MOSCWTCR, SOSCWTCR, PLLWTCR, DPSBYCR, DPSIER0, DPSIER2, DPSIFR0, DPSIFR2, DPSIEGR0, DPSIEGR2, FHSSBYCR, HOCOWTCR2 Registers related to clock generation circuit: MOFCR, HOCOPCR, PLLPCR (chip version B) Software reset register: SWRR
PRC2	VRCR
PRC3	<ul style="list-style-type: none"> Registers related to the LVD: LVCMPCR, LVDLVLR, LVD1CR0, LVD1CR1, LVD1SR, LVD2CR0, LVD2CR1, LVD2SR

12.1 Register Descriptions

12.1.1 Protect Register (PRCR)

Address(es): 0008 03FEh



Bit	Symbol	Bit Name	Description	R/W
b0	PRC0	Protect Bit 0	Enables writing to the registers related to the clock generation circuit. 0: Write disabled 1: Write enabled	R/W
b1	PRC1	Protect Bit 1	Enables writing to the registers related to operating modes, low power consumption, and software reset. 0: Write disabled 1: Write enabled	R/W
b2	PRC2	Protect Bit 2	Enables writing to the VRCR register. 0: Write disabled 1: Write enabled	R/W
b3	PRC3	Protect Bit 3	Enables writing to the registers related to the LVD. 0: Write disabled 1: Write enabled	R/W
b7 to b4	—	Reserved	These bits are read as 0. The write value should be 0.	R/W
b15 to b8	PRKEY[7:0]	PRC Key Code	These bits control permission and prohibition of writing to the PRCR register. To modify the PRCR register, write A5h to the eight higher-order bits and the desired value to the eight lower-order bits as a 16-bit unit.	R/W*1

Note 1. Write data is not retained.

PRCi Bits (Protect Bit i) (i = 0 to 3)

These bits enable or disable writing to the corresponding registers to be protected.

Setting the PRCi bits to 1 and 0 enable and disable writing to the corresponding registers to be protected, respectively.

13. Exception Handling

13.1 Exception Events

During execution of a program by the CPU, the occurrence of a certain event may cause execution of that program to be suspended and execution of another program to be started. Such kinds of events are called exception events.

The RX CPU supports six types of exceptions. The types of exception events are shown in Figure 13.1.

The occurrence of an exception causes the processor mode to shift to supervisor mode.

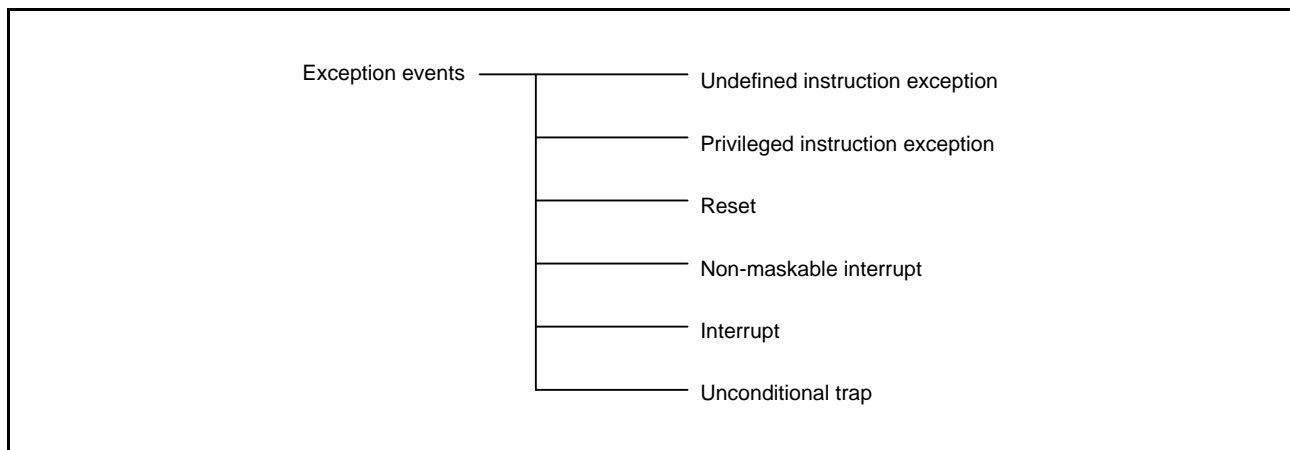


Figure 13.1 Types of Exception Events

13.1.1 Undefined Instruction Exception

An undefined instruction exception occurs when execution of an undefined instruction (an instruction not implemented) is detected.

13.1.2 Privileged Instruction Exception

A privileged instruction exception occurs when execution of a privileged instruction is detected in user mode. Privileged instructions can be executed only in supervisor mode.

13.1.3 Reset

A reset is generated by input of a reset signal to the CPU. This has the highest priority of any exception and is always accepted.

13.1.4 Non-Maskable Interrupt

The non-maskable interrupt is generated by input of a non-maskable interrupt signal to the CPU and is only used when a fatal fault is considered to have occurred in the system. Never use the non-maskable interrupt with an attempt to return to the program that was being executed at the time of interrupt generation after the exception handling routine is ended.

13.1.5 Interrupt

Interrupts are generated by the input of interrupt signals to the CPU. A fast interrupt can be selected as the interrupt with the highest priority. In the case of the fast interrupt, hardware pre-processing and hardware post-processing are handled fast. The priority level of the fast interrupt is 15 (the highest). The exception handling of interrupts is masked when the I bit in PSW is 0.

13.1.6 Unconditional Trap

An unconditional trap is generated when the INT or BRK instruction is executed.

13.2 Exception Handling Procedure

In the exception handling, part of the processing is handled automatically by hardware and part of it is handled by a program (exception handling routine) that has been written by the user. Figure 13.2 shows the processing procedure when an exception other than a reset is accepted.

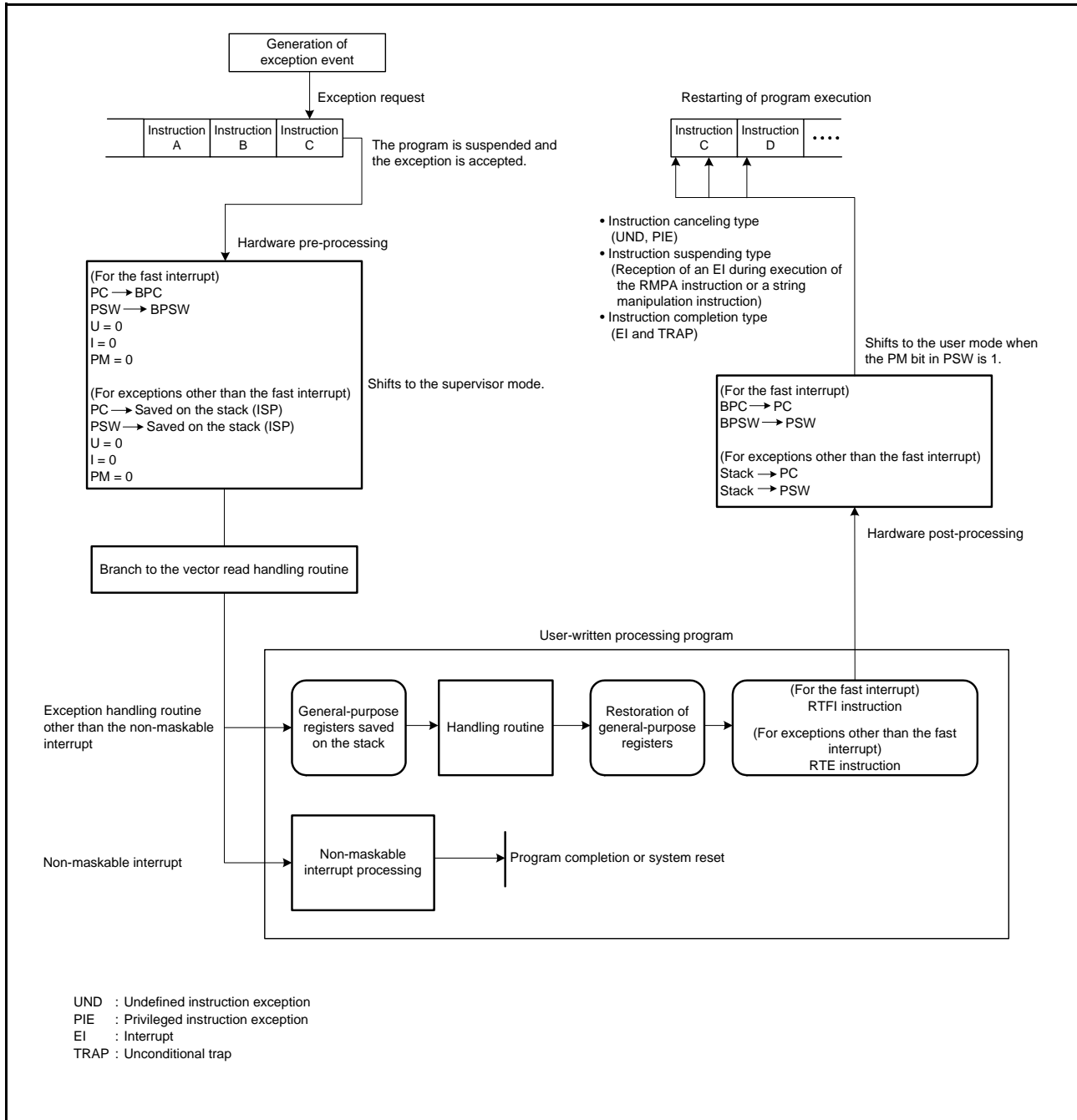


Figure 13.2 Outline of Exception Handling Procedure

When an exception is accepted, hardware processing by the RX CPU is followed by access to the vector to acquire the address of the branch destination. In the vector, a vector address is allocated to each exception, and the branch destination address of the exception handling routine is written to each vector address.

Hardware pre-processing by the RX CPU handles saving of the contents of the program counter (PC) and processor status word (PSW). In the case of a fast interrupt, the contents are saved in the backup PC (BPC) and the backup PSW (BPSW), respectively. In the case of exceptions other than a fast interrupt, the contents are saved in the stack area.

General purpose registers and control registers other than the PC and PSW that are to be used within the exception handling routine must be saved on the stack by a user program at the start of the exception handling routine.

On completion of processing by an exception handling routine, registers saved on the stack are restored and the RTE instruction is executed to restore execution from the exception handling routine to the original program. For return from a fast interrupt, the RTFI instruction is used instead. In the case of a non-maskable interrupt, however, finish the program or reset the system without returning to the original program.

Hardware post-processing by the RX CPU handles restoration of the contents of PC and PSW. In the case of a fast interrupt, the values of BPC and BPSW are restored to PC and PSW, respectively. In the case of exceptions other than a fast interrupt, the values are restored from the stack to PC and PSW.

13.3 Acceptance of Exception Events

When an exception occurs, the CPU suspends the execution of the program and processing branches to the exception handling routine.

13.3.1 Acceptance Timing and Saved PC Value

Table 13.1 lists the timing of acceptance and the program counter (PC) value to be saved for each exception event.

Table 13.1 Acceptance Timing and Saved PC Value

Exception Event	Type of Handling	Acceptance Timing	Value Saved in BPC or on the Stack	
Undefined instruction exception	Instruction canceling type	During instruction execution	PC value of the instruction that generated the exception	
Privileged instruction exception	Instruction canceling type	During instruction execution	PC value of the instruction that generated the exception	
Reset	Instruction abandonment type	Any machine cycle	None	
Non-maskable interrupt	During execution of the RMPA, SCMPU, SMOVB, SMOVF, SMOVU, SSTR, SUNTIL, and SWHILE instructions	Instruction suspending type	During instruction execution	PC value of the instruction being executed
	Other than above	Instruction completion type	At the next break between instructions	PC value of the next instruction
Interrupt	During execution of the RMPA, SCMPU, SMOVB, SMOVF, SMOVU, SSTR, SUNTIL, and SWHILE instructions	Instruction suspending type	During instruction execution	PC value of the instruction being executed
	Other than above	Instruction completion type	At the next break between instructions	PC value of the next instruction
Unconditional trap	Instruction completion type	At the next break between instructions	PC value of the next instruction	

13.3.2 Vector and Site for Saving the Values in the PC and PSW

The vector for each type of exception and the site for saving the values of the program counter (PC) and processor status word (PSW) are listed in Table 13.2.

Table 13.2 Vector and Site for Saving the Values in the PC and PSW

Exception	Vector	Site for Saving the Values in the PC and PSW	
Undefined instruction exception	Fixed vector table	Stack	
Privileged instruction exception	Fixed vector table	Stack	
Reset	Fixed vector table	Nowhere	
Non-maskable interrupt	Fixed vector table	Stack	
Interrupt	Fast interrupt	FINTV	BPC and BPSW
	Other than above	Relocatable vector table (INTB)	Stack
Unconditional trap	Relocatable vector table (INTB)	Stack	

13.4 Hardware Processing for Accepting and Returning from Exceptions

This section describes the hardware processing for accepting and returning from exceptions other than a reset.

(1) Hardware Pre-Processing for Accepting an Exception

(a) Saving PSW

- For a fast interrupt
PSW → BPSW
- For exceptions other than a fast interrupt
PSW → Stack

(b) Updating PM, U, and I Bits in PSW

I: Set to 0

U: Set to 0

PM: Set to 0

(c) Saving PC

- For a fast interrupt
PC → BPC
- For exceptions other than a fast interrupt
PC → Stack

(d) Setting Branch Destination Address of Exception Handling Routine in PC

Processing is shifted to the exception handling routine by acquiring the vector corresponding to the exception and then branching accordingly.

(2) Hardware Post-Processing for Execution of RTE and RTFI Instructions

(a) Restoring PSW

- For a fast interrupt
BPSW → PSW
- For exceptions other than a fast interrupt
Stack → PSW

(b) Restoring PC

- For a fast interrupt
BPC → PC
- For exceptions other than a fast interrupt
Stack → PC

13.5 Hardware Pre-Processing

The hardware pre-processing from reception of each exception request to execution of the associated exception handling routine are explained below.

13.5.1 Undefined Instruction Exception

1. The value of the processor status word (PSW) is saved on the stack (ISP).
2. The processor mode select bit (PM), the stack pointer select bit (U), and the interrupt enable bit (I) in PSW are cleared to 0.
3. The value of the program counter (PC) is saved on the stack (ISP).
4. The vector is fetched from address FFFF FFDCh.
5. The fetched vector is set to the PC and processing branches to the exception handling routine.

13.5.2 Privileged Instruction Exception

1. The value in the processor status word (PSW) is saved on the stack (ISP).
2. The processor mode select bit (PM), the stack pointer select bit (U), and the interrupt enable bit (I) in PSW are cleared to 0.
3. The value of the program counter (PC) is saved on the stack (ISP).
4. The vector is fetched from address FFFF FFD0h.
5. The fetched vector is set to the PC and processing branches to the exception handling routine.

13.5.3 Reset

1. The control registers are initialized.
2. The vector is fetched from address FFFF FFFCh.
3. The fetched vector is set to the PC.

13.5.4 Non-Maskable Interrupt

1. The value of the processor status word (PSW) is saved on the stack (ISP).
2. The processor mode select bit (PM), the stack pointer select bit (U), and the interrupt enable bit (I) in PSW are cleared to 0.
3. If the interrupt was generated during the execution of an RMPA, SCMPU, SMOVB, SMOVF, SMOVU, SSTR, SUNTIL, or SWHILE instruction, the value of the program counter (PC) for that instruction is saved on the stack (ISP). For other instructions, the PC value of the next instruction is saved.
4. The processor interrupt priority level bits (IPL[3:0]) in PSW are set to Fh.
5. The vector is fetched from address FFFF FFF8h.
6. The fetched vector is set to the PC and processing branches to the exception handling routine.

13.5.5 Interrupt

1. The value of the processor status word (PSW) is saved on the stack (ISP) or, for the fast interrupt, in the backup PSW (BPSW).
2. The processor mode select bit (PM), the stack pointer select bit (U), and the interrupt enable bit (I) in PSW are cleared to 0.
3. If the interrupt was generated during the execution of an RMPA, SCMPU, SMOVB, SMOVF, SMOVU, SSTR, SUNTIL, or SWHILE instruction, the value of the program counter (PC) for that instruction is saved. For other instructions, the PC value of the next instruction is saved. Saving of the PC is in the backup PC (BPC) for fast interrupts.
4. The processor interrupt priority level bits (IPL[3:0]) in PSW indicate the interrupt priority level of the interrupt.
5. The vector for an interrupt source other than the fast interrupt is fetched from the relocatable vector table. For the fast interrupt, the address is fetched from the fast interrupt vector register (FINTV).
6. The fetched vector is set to the PC and processing branches to the exception handling routine.

13.5.6 Unconditional Trap

1. The value in the processor status word (PSW) is saved on the stack (ISP).
2. The processor mode select bit (PM), the stack pointer select bit (U), and the interrupt enable bit (I) in PSW are cleared to 0.
3. The value of the program counter (PC) for the next instruction is saved on the stack (ISP).
4. For the INT instruction, the value at the vector corresponding to the INT instruction number is fetched from the relocatable vector table.
For the BRK instruction, the value at the vector from the start address is fetched from the relocatable vector table.
5. The fetched vector is set to the PC and processing branches to the exception handling routine.

13.6 Return from Exception Handling Routine

Executing the instruction listed in Table 13.3 at the end of the corresponding exception handling routine restores the values of the program counter (PC) and processor status word (PSW) that were saved on the stack or in the control registers (BPC and BPSW) immediately before the exception handling sequence.

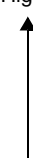
Table 13.3 Return from Exception Handling Routine

Exception		Instruction for Return
Undefined instruction exception		RTE
Privileged instruction exception		RTE
Reset		Return is impossible
Non-maskable interrupt		Return is impossible
Interrupt	Fast interrupt	RTFI
	Other than above	RTE
Unconditional trap		RTE

13.7 Priority of Exception Events

The priority of exception events is listed in Table 13.4. When multiple exceptions are generated at the same time, the exception with the highest priority is accepted first.

Table 13.4 Priority of Exception Events

Priority	Exception Event
High  Low	1 Reset
	2 Non-maskable interrupt
	3 Interrupt
	4 Undefined instruction exception Privileged instruction exception
	5 Unconditional trap

14. Interrupt Controller (ICUb)

14.1 Overview

The interrupt controller receives interrupt signals from the peripheral modules and external pins, sends interrupts to the CPU, and activates the DTC and DMAC.

Table 14.1 lists the specifications of the interrupt controller, and Figure 14.1 shows a block diagram of the interrupt controller.

Table 14.1 Specifications of Interrupt Controller

Item	Description	
Interrupts	Peripheral function interrupts	<ul style="list-style-type: none"> Interrupts from peripheral modules Interrupt detection: Edge detection/level detection Edge detection or level detection is fixed for each source of connected peripheral modules.
	External pin interrupts	<ul style="list-style-type: none"> Interrupts from pins IRQ0 to IRQ7 Number of sources: 8 Interrupt detection: Low level/falling edge/rising edge/rising and falling edges One of these detection methods can be set for each source. Digital filter function: Supported
	Software interrupt	<ul style="list-style-type: none"> Interrupt generated by writing to a register One interrupt source
	Event link interrupt	The ELSR18I or ELSR19I interrupt is generated by an ELC event
	Interrupt priority	Specified by registers.
	Fast interrupt function	Faster interrupt processing of the CPU can be set only for a single interrupt source.
	DTC/DMAC control	The DTC and DMAC can be activated by interrupt sources.*1
Non-maskable interrupts	NMI pin interrupt	<ul style="list-style-type: none"> Interrupt from the NMI pin Interrupt detection: Falling edge/rising edge Digital filter function: Supported
	Oscillation stop detection interrupt	Interrupt on detection of oscillation having stopped
	WDT underflow/refresh error	Interrupt on an underflow of the down counter or occurrence of a refresh error
	IWDT underflow/refresh error	Interrupt on an underflow of the down counter or occurrence of a refresh error
	Voltage monitoring 1 interrupt	Voltage monitoring interrupt of voltage monitoring circuit 1 (LVD1)
	Voltage monitoring 2 interrupt	Voltage monitoring interrupt of voltage monitoring circuit 2 (LVD2)
Return from power-down modes	<ul style="list-style-type: none"> Sleep mode: Return is initiated by non-maskable interrupts or any other interrupt source. All-module clock stop mode: Return is initiated by non-maskable interrupts, IRQ0 to IRQ7 interrupts, TMR interrupts, or RTC alarm/periodic interrupts. Software standby mode: Return is initiated by non-maskable interrupts, IRQ0 to IRQ7 interrupts, or RTC alarm/periodic interrupts. 	

Note 1. For the DTC and DMAC activation sources, refer to Table 14.3, Interrupt Vector Table.

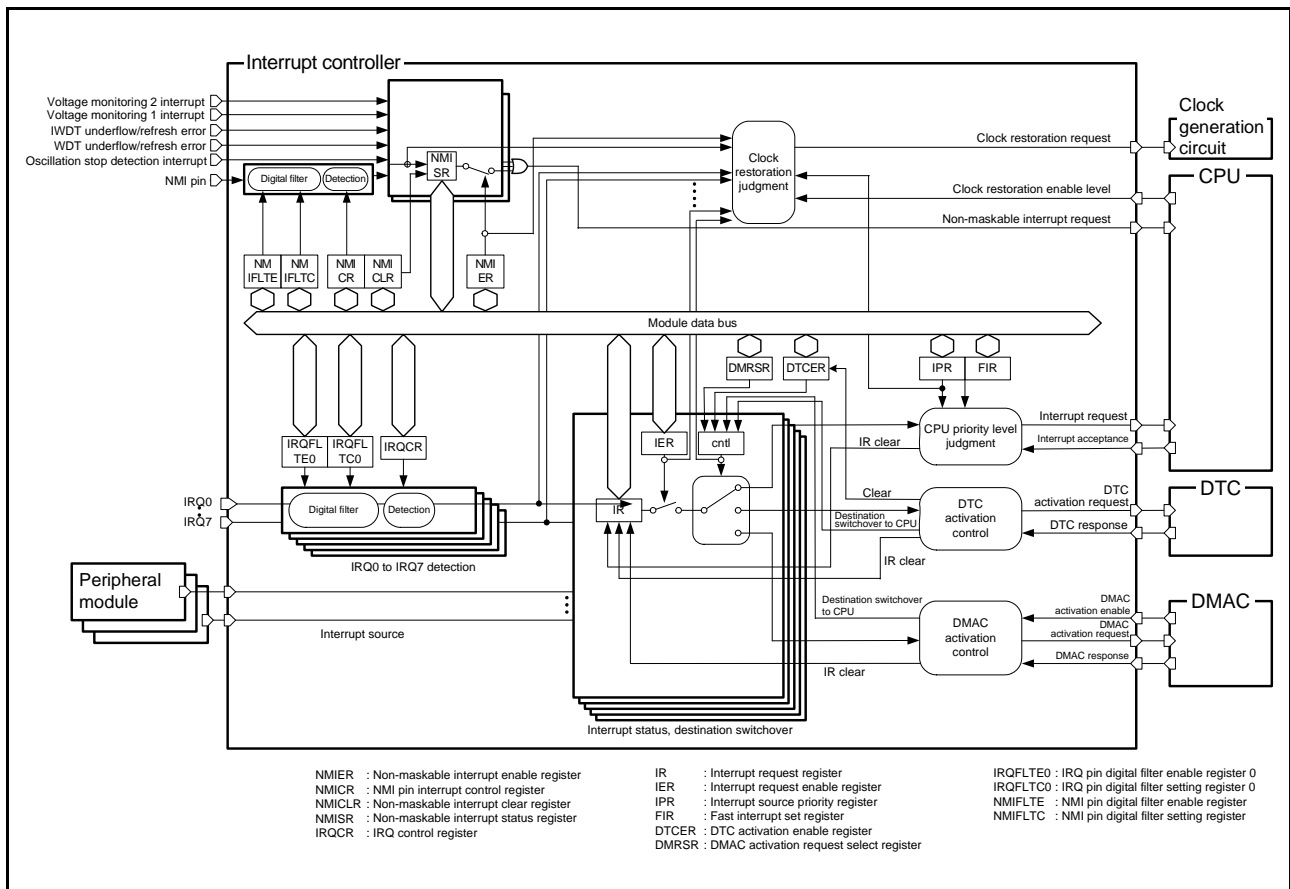


Figure 14.1 Block Diagram of Interrupt Controller

Table 14.2 lists the input/output pins of the interrupt controller.

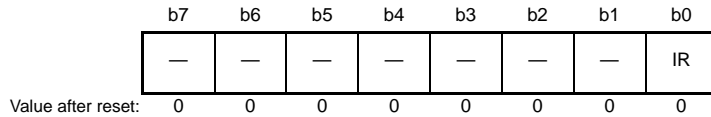
Table 14.2 Pin Configuration of Interrupt Controller

Pin Name	I/O	Description
NMI	Input	Non-maskable interrupt request pin
IRQ0 to IRQ7	Input	External interrupt request pins

14.2 Register Descriptions

14.2.1 Interrupt Request Register n (IRn) (n = interrupt vector number)

Address(es): 0008 7010h to 0008 70FDh



Bit	Symbol	Bit Name	Description	R/W
b0	IR	Interrupt Status Flag	0: No interrupt request is generated 1: An interrupt request is generated	R/(W) *1
b7 to b1	—	Reserved	These bits are read as 0. The write value should be 0.	R/W

Note 1. For an edge detection interrupt, only 0 can be written to this bit; do not write 1.
For a level detection interrupt, neither 0 nor 1 can be written.

IRn is provided for each interrupt source, where “n” indicates the interrupt vector number.

For the correspondence between interrupt sources and interrupt vector numbers, see Table 14.3, Interrupt Vector Table.

IR Flag (Interrupt Status Flag)

This bit is the status flag of an individual interrupt request. This flag is set to 1 when the corresponding interrupt request is generated. To detect an interrupt request, the interrupt request output should be enabled by the corresponding peripheral module interrupt enable bit.

There are two interrupt request detection methods: edge detection and level detection. For interrupts from peripheral modules, either edge detection or level detection is determined per interrupt source. For interrupts from IRQi pins, edge detection or level detection is selected by the setting of the IRQMD[1:0] bits in the corresponding IRQCRi (i = 0 to 7). For detection of the various interrupt sources, see Table 14.3, Interrupt Vector Table.

(1) Edge detection

[Setting condition]

- The flag is set to 1 in response to the generation of an interrupt request from the corresponding peripheral module or IRQi pin. For interrupt generation by the various peripheral modules, refer to the sections describing the modules.

[Clearing conditions]

- The flag is cleared to 0 when the interrupt request destination accepts the interrupt request.
- The IR flag is cleared to 0 by writing 0 to it. Note, however, that writing 0 to the IR flag is prohibited if the destination of the interrupt request is the DTC or DMAC.

(2) Level detection

[Setting condition]

- The flag remains set to 1 while an interrupt request is being sent from the corresponding peripheral module or IRQi pin. For interrupt generation by the various peripheral modules, refer to the sections describing the modules.

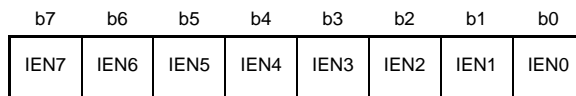
[Clearing condition]

- The flag is cleared to 0 when the source of the interrupt request is cleared (it is not cleared when the interrupt request destination accepts the interrupt request). For clearing interrupts from the various peripheral modules, refer to the sections describing the modules.

When level detection has been selected for an IRQi pin, the interrupt request is withdrawn by driving the IRQi pin high. Do not write 0 or 1 to the IR flag while level detection is selected.

14.2.2 Interrupt Request Enable Register m (IERm) (m = 02h to 1Fh)

Address(es): 0008 7202h to 0008 721Fh



Value after reset: 0 0 0 0 0 0 0 0

Bit	Symbol	Bit Name	Description	R/W
b0	IEN0	Interrupt Request Enable 0	0: Interrupt request is disabled 1: Interrupt request is enabled	R/W
b1	IEN1	Interrupt Request Enable 1		R/W
b2	IEN2	Interrupt Request Enable 2		R/W
b3	IEN3	Interrupt Request Enable 3		R/W
b4	IEN4	Interrupt Request Enable 4		R/W
b5	IEN5	Interrupt Request Enable 5		R/W
b6	IEN6	Interrupt Request Enable 6		R/W
b7	IEN7	Interrupt Request Enable 7		R/W

Note: • Write 0 to the bit that corresponds to the vector number for reservation. These bits are read as 0.

IENj Bits (Interrupt Request Enable j) (j = 7 to 0)

When an IENj bit is 1, the corresponding interrupt request will be output to the destination selected for the request. When an IENj bit is 0, the corresponding interrupt request will not be output to the destination selected for the request. The setting of an IENj bit does not affect the IRn.IR flag. Even if the corresponding IENj bit is 0, the IR flag value changes according to the descriptions in section 14.2.1, Interrupt Request Register n (IRn) (n = interrupt vector number).

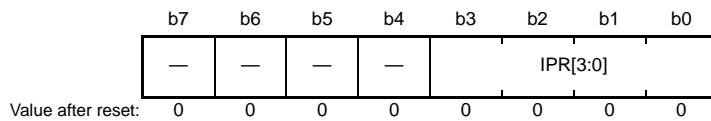
The IERm.IENj bit is set for each request source (vector number).

For the correspondence between interrupt sources and IERm.IENj bits, see Table 14.3, Interrupt Vector Table.

For the procedure for setting IERm.IENj bits during the selection of destinations for interrupt requests, refer to section 14.4.3, Selecting Interrupt Request Destinations.

14.2.3 Interrupt Source Priority Register n (IPRn) (n = 000 to 250)

Address(es): 0008 7300h to 0008 73FAh



Bit	Symbol	Bit Name	Description	R/W
b3 to b0	IPR[3:0]	Interrupt Priority Level Select	b3 b0 0 0 0 0: Level 0 (interrupt disabled)*1 0 0 0 1: Level 1 0 0 1 0: Level 2 0 0 1 1: Level 3 0 1 0 0: Level 4 0 1 0 1: Level 5 0 1 1 0: Level 6 0 1 1 1: Level 7 1 0 0 0: Level 8 1 0 0 1: Level 9 1 0 1 0: Level 10 1 0 1 1: Level 11 1 1 0 0: Level 12 1 1 0 1: Level 13 1 1 1 0: Level 14 1 1 1 1: Level 15 (highest)	R/W
b7 to b4	—	Reserved	These bits are read as 0. The write value should be 0.	R/W

Note 1. When the interrupt is specified as a fast interrupt, it can be issued even if the priority level is level 0.

For the correspondence between interrupt sources and IPRn registers, see Table 14.3, Interrupt Vector Table.

IPR[3:0] Bits (Interrupt Priority Level Select)

These bits specify the priority level of the corresponding interrupt source.

Priority levels specified by the IPR[3:0] bits are used only to determine the priority of interrupt requests to be transferred to the CPU, and do not affect activation requests to the DTC and DMAC.

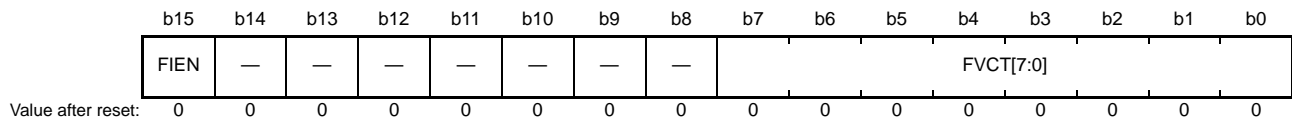
The CPU accepts only interrupt requests higher than the priority level specified by the IPL[3:0] bits in PSW, and handles accepted interrupts.

If two or more interrupt requests are generated at the same time, their priority levels are compared with the value of the IPR[3:0] bits. If interrupt requests of the same priority level are generated at the same time, an interrupt source with a smaller vector number takes precedence.

These bits should be written to while an interrupt request is disabled (IERm.IENj bit = 0).

14.2.4 Fast Interrupt Set Register (FIR)

Address(es): 0008 72F0h



Bit	Symbol	Bit Name	Description	R/W
b7 to b0	FVCT[7:0]	Fast Interrupt Vector Number	Specify the vector number of an interrupt source to be a fast interrupt.	R/W
b14 to b8	—	Reserved	These bits are read as 0. The write value should be 0.	R/W
b15	FIEN	Fast Interrupt Enable	0: Fast interrupt is disabled 1: Fast interrupt is enabled	R/W

The fast interrupt function based on the FIR register setting is applicable only to interrupts to the CPU. It will not affect any transfer request to the DTC or DMAC.

Before writing to this register, be sure to disable interrupt requests (IERm.IENj bit = 0).

FVCT[7:0] Bits (Fast Interrupt Vector Number)

The FVCT[7:0] bits specify the vector number of an interrupt source that uses the fast interrupt function.

FIEN Bit (Fast Interrupt Enable)

This bit enables the fast interrupt.

Setting this bit to 1 makes the interrupt request of the vector number specified by the FVCT[7:0] bits a fast interrupt.

When an interrupt request of the vector number specified by the FVCT[7:0] bits is generated and the interrupt request destination is the CPU while the FIEN bit is 1, the interrupt request is output to the CPU as a fast interrupt regardless of the setting of the IPRn register. When using the fast interrupt for returning from the software standby mode, see [section 14.6.3, Return from Software Standby Mode](#).

If the setting of the IERm.IENj (m = 02h to 1Fh, j = 7 to 0) bit has disabled interrupt requests from the interrupt source with the vector number in this register, fast interrupt requests are not output to the CPU.

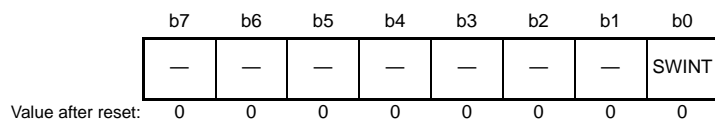
For settable vector numbers, see [Table 14.3, Interrupt Vector Table](#).

Do not write any reserved vector numbers to the FVCT[7:0] bits.

For details on the fast interrupt, see [section 13, Exception Handling](#), and [section 14.4.6, Fast Interrupt](#).

14.2.5 Software Interrupt Activation Register (SWINTR)

Address(es): 0008 72E0h



Bit	Symbol	Bit Name	Description	R/W
b0	SWINT	Software Interrupt Activation	This bit is read as 0. Writing 1 issues a software interrupt request. Writing 0 to this bit has no effect.	R/(W) *1
b7 to b1	—	Reserved	These bits are read as 0. The write value should be 0.	R/W

Note 1. Only 1 can be written.

SWINT Bit (Software Interrupt Activation)

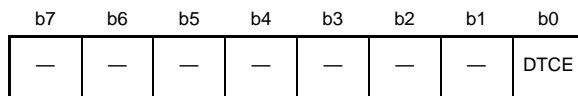
When 1 is written to the SWINT bit, the interrupt request register 027 (IR027) is set to 1.

If 1 is written to the SWINT bit when the DTC activation enable register 027 (DTCER027) is set to 0, an interrupt to the CPU is generated.

If 1 is written to the SWINT bit when the DTC activation enable register 027 (DTCER027) is set to 1, a DTC activation request is issued.

14.2.6 DTC Activation Enable Register n (DTCERn) (n = interrupt vector number)

Address(es): 0008 711Bh to 0008 71FCh



Value after reset: 0 0 0 0 0 0 0 0

Bit	Symbol	Bit Name	Description	R/W
b0	DTCE	DTC Activation Enable	0: DTC activation is disabled 1: DTC activation is enabled	R/W
b7 to b1	—	Reserved	These bits are read as 0. The write value should be 0.	R/W

An interrupt source that has been selected as a source for DMAC activation should not be specified as a source for DTC activation. See Table 14.3, Interrupt Vector Table, for the interrupt sources that are selectable as sources for DTC activation.

DTCE Bit (DTC Activation Enable)

When the DTCE bit is set to 1, the corresponding interrupt source is selected as the source for the DTC activation.

[Setting condition]

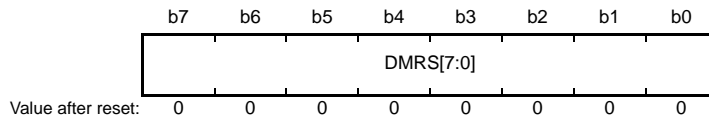
- When 1 is written to the DTCE bit

[Clearing conditions]

- When the specified number of transfers is completed (for the chain transfer, the number of transfers for the last chain transfer is completed)
- When 0 is written to the DTCE bit

14.2.7 DMAC Activation Request Select Register m (DMRSRm) (m = DMAC channel number)

Address(es): DMRSR0 0008 7400h, DMRSR1 0008 7404h, DMRSR2 0008 7408h, DMRSR3 0008 740Ch



Bit	Symbol	Bit Name	Description	R/W
b7 to b0	DMRS[7:0]	DMAC Activation Source Select	These bits specify the vector number for the DMAC activation request.	R/W

To specify the same interrupt source for multiple DMRSRm registers is disabled. The interrupt source that has been selected for the DMRSRm activation should not be specified as the source for the DTC activation. Otherwise, the correct operation is not guaranteed.

DMRS[7:0] Bits (DMAC Activation Source Select)

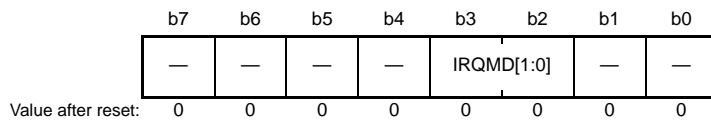
The vector number of the interrupt source for DMAC activation is specified in 8 bits. Do not set the vector numbers that are not assigned for the DMAC activation.

For the correspondence between interrupt sources and interrupt vector numbers, see Table 14.3, Interrupt Vector Table.

Write to the DMRSRm register while the DMA transfer enable bit of the DMA transfer enable register (DMACm.DMCNT.DTE) is cleared to 0.

14.2.8 IRQ Control Register i (IRQCRi) (i = 0 to 7)

Address(es): 0008 7500h to 0008 7507h



Bit	Symbol	Bit Name	Description	R/W
b1, b0	—	Reserved	These bits are read as 0. The write value should be 0.	R/W
b3, b2	IRQMD[1:0]	IRQ Detection Sense Select	b3 b2 0 0: Low level 0 1: Falling edge 1 0: Rising edge 1 1: Rising and falling edges	R/W
b7 to b4	—	Reserved	These bits are read as 0. The write value should be 0.	R/W

Only change the settings of this register while the corresponding interrupt request enable bit is prohibiting the interrupt request (IEN_j bit in IER_m is 0). After changing the setting, clear the IR flag in IR_n before setting the interrupt enable bit. However, when the change is to the low level, the IR flag does not require clearing.

IRQMD[1:0] Bits (IRQ Detection Sense Select)

These bits select the detection sensing method of external pin interrupt sources IRQ0 to IRQ7. For the external pin interrupt detection setting, see section 14.4.8, External Pin Interrupts.

14.2.9 IRQ Pin Digital Filter Enable Register 0 (IRQFLTE0)

Address(es): 0008 7510h

b7	b6	b5	b4	b3	b2	b1	b0
FLTEN 7	FLTEN 6	FLTEN 5	FLTEN 4	FLTEN 3	FLTEN 2	FLTEN 1	FLTEN 0

Value after reset: 0 0 0 0 0 0 0 0

Bit	Symbol	Bit Name	Description	R/W
b0	FLTEN0	IRQ0 Digital Filter Enable	0: Digital filter is disabled. 1: Digital filter is enabled.	R/W
b1	FLTEN1	IRQ1 Digital Filter Enable		R/W
b2	FLTEN2	IRQ2 Digital Filter Enable		R/W
b3	FLTEN3	IRQ3 Digital Filter Enable		R/W
b4	FLTEN4	IRQ4 Digital Filter Enable		R/W
b5	FLTEN5	IRQ5 Digital Filter Enable		R/W
b6	FLTEN6	IRQ6 Digital Filter Enable		R/W
b7	FLTEN7	IRQ7 Digital Filter Enable		R/W

FLTEN_i Bits (IRQ_i Digital Filter Enable) (i = 0 to 7)

These bits enable the digital filter used for the external pin interrupt sources IRQ0 to IRQ7.

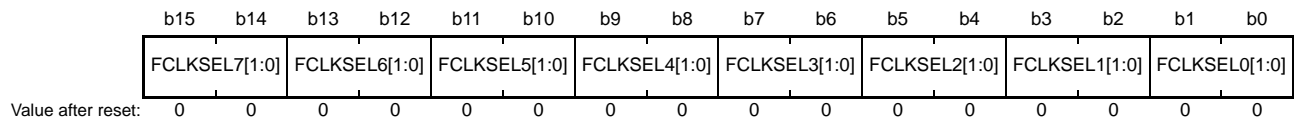
The digital filter is enabled when the FLTEN_i bit is 1, and disabled when the FLTEN_i bit is 0.

The IRQ_i pin level is sampled at the sampling clock cycle specified with the IRQFLTC0.FCLKSELi[1:0] bits. When the sampled level matches three times, the output level from the digital filter changes.

For details of the digital filter, see section 14.4.7, Digital Filter.

14.2.10 IRQ Pin Digital Filter Setting Register 0 (IRQFLTC0)

Address(es): 0008 7514h



Bit	Symbol	Bit Name	Description	R/W
b1, b0	FCLKSEL0[1:0]	IRQ0 Digital Filter Sampling Clock	0 0: PCLK 0 1: PCLK/8	R/W
b3, b2	FCLKSEL1[1:0]	IRQ1 Digital Filter Sampling Clock	1 0: PCLK/32 1 1: PCLK/64	R/W
b5, b4	FCLKSEL2[1:0]	IRQ2 Digital Filter Sampling Clock		R/W
b7, b6	FCLKSEL3[1:0]	IRQ3 Digital Filter Sampling Clock		R/W
b9, b8	FCLKSEL4[1:0]	IRQ4 Digital Filter Sampling Clock		R/W
b11, b10	FCLKSEL5[1:0]	IRQ5 Digital Filter Sampling Clock		R/W
b13, b12	FCLKSEL6[1:0]	IRQ6 Digital Filter Sampling Clock		R/W
b15, b14	FCLKSEL7[1:0]	IRQ7 Digital Filter Sampling Clock		R/W

FCLKSELi[1:0] Bits (IRQi Digital Filter Sampling Clock) (i = 0 to 7)

These bits select the cycle of the digital filter sampling clock for the external pin interrupt request pins IRQ0 to IRQ7.

The sampling clock cycle can be selected from among the PCLK (every cycle), PCLK/8 (once every eight cycles), PCLK/32 (once every 32 cycles), and PCLK/64 (once every 64 cycles).

For details of the digital filter, see section 14.4.7, Digital Filter.

14.2.11 Non-Maskable Interrupt Status Register (NMISR)

Address(es): 0008 7580h

b7	b6	b5	b4	b3	b2	b1	b0
—	—	LVD2S T	LVD1S T	IWDTST T	WDTST	OSTST	NMIST
Value after reset:	0	0	0	0	0	0	0

Bit	Symbol	Bit Name	Description	R/W
b0	NMIST	NMI Status Flag	0: NMI pin interrupt is not requested 1: NMI pin interrupt is requested	R
b1	OSTST	Oscillation Stop Detection Interrupt Status Flag	0: Oscillation stop detection interrupt is not requested 1: Oscillation stop detection interrupt is requested	R
b2	WDTST	WDT Underflow/Refresh Error Status Flag	0: WDT underflow/refresh error interrupt is not requested 1: WDT underflow/refresh error interrupt is requested	R
b3	IWDTST	IWDT Underflow/Refresh Error Status Flag	0: IWDT underflow/refresh error interrupt is not requested 1: IWDT underflow/refresh error interrupt is requested	R
b4	LVD1ST	Voltage Monitoring 1 Interrupt Status Flag	0: Voltage monitoring 1 interrupt is not requested 1: Voltage monitoring 1 interrupt is requested	R
b5	LVD2ST	Voltage Monitoring 2 Interrupt Status Flag	0: Voltage monitoring 2 interrupt is not requested 1: Voltage monitoring 2 interrupt is requested	R
b7, b6	—	Reserved	These bits are read as 0. Writing to these bits has no effect.	R

The NMISR register monitors the status of a non-maskable interrupt source. Writing to the NMISR register is ignored. The setting in the non-maskable interrupt enable register (NMIER) does not affect the status flags in NMISR. Before the end of the non-maskable interrupt handler, read the NMISR register and confirm the generation status of other non-maskable interrupts. Be sure to confirm that all of the bits in the NMISR register are set to 0 before the end of the handler.

NMIST Flag (NMI Status Flag)

This flag indicates the NMI pin interrupt request.

The NMIST flag is read-only, and cleared by the NMICLR.NMICLR bit.

[Setting condition]

- When an edge specified by the NMICR.NMIMD bit is input to the NMI pin

[Clearing condition]

- When 1 is written to the NMICLR.NMICLR bit

OSTST Flag (Oscillation Stop Detection Interrupt Status Flag)

This flag indicates the oscillation stop detection interrupt request.

The OSTST flag is read-only, and cleared by the NMICLR.OSTCLR bit.

[Setting condition]

- When the oscillation stop detection interrupt is generated

[Clearing condition]

- When 1 is written to the NMICLR.OSTCLR bit

WDTST Flag (WDT Underflow/Refresh Error Status Flag)

This flag indicates the WDT underflow/refresh error interrupt request.

The WDTST flag is read-only, and cleared by the NMICLR.WDTCLR bit.

[Setting condition]

- When the WDT underflow/refresh error interrupt is generated

[Clearing condition]

- When 1 is written to the NMICLR.WDTCLR bit

IWDTST Flag (IWDT Underflow/Refresh Error Status Flag)

This flag indicates the IWDT underflow/refresh error interrupt request.

The IWDTST flag is read-only, and cleared by the NMICLR.IWDTCLR bit.

[Setting condition]

- When the IWDT underflow/refresh error interrupt is generated while this interrupt is enabled at its source.

[Clearing condition]

- When 1 is written to the NMICLR.IWDTCLR bit

LVD1ST Flag (Voltage Monitoring 1 Interrupt Status Flag)

This flag indicates the request for voltage monitoring 1 interrupt.

The LVD1ST flag is read-only, and cleared by the NMICLR.LVD1CLR bit.

[Setting condition]

- When the voltage monitoring 1 interrupt is generated while this interrupt is enabled at its source.

[Clearing condition]

- When 1 is written to the NMICLR.LVD1CLR bit

LVD2ST Flag (Voltage Monitoring 2 Interrupt Status Flag)

This flag indicates the request for voltage monitoring 2 interrupt.

The LVD2ST flag is read-only, and cleared by the NMICLR.LVD2CLR bit.

[Setting condition]

- When the voltage monitoring 2 interrupt is generated while this interrupt is enabled at its source.

[Clearing condition]

- When 1 is written to the NMICLR.LVD2CLR bit

14.2.12 Non-Maskable Interrupt Enable Register (NMIER)

Address(es): 0008 7581h

	b7	b6	b5	b4	b3	b2	b1	b0
	—	—	LVD2E N	LVD1E N	IWDTE N	WDTE N	OSTEN	NMIEN
Value after reset:	0	0	0	0	0	0	0	0

Bit	Symbol	Bit Name	Description	R/W
b0	NMIEN	NMI Pin Interrupt Enable	0: NMI pin interrupt is disabled 1: NMI pin interrupt is enabled	R/(W) *1
b1	OSTEN	Oscillation Stop Detection Interrupt Enable	0: Oscillation stop detection interrupt is disabled 1: Oscillation stop detection interrupt is enabled	R/(W) *1
b2	WDTEN	WDT Underflow/Refresh Error Enable	0: WDT underflow/refresh error interrupt is disabled 1: WDT underflow/refresh error interrupt is enabled	R/(W) *1
b3	IWDTEN	IWDT Underflow/Refresh Error Enable	0: IWDT underflow/refresh error interrupt is disabled 1: IWDT underflow/refresh error interrupt is enabled	R/(W) *1
b4	LVD1EN	Voltage Monitoring 1 Interrupt Enable	0: Voltage monitoring 1 interrupt is disabled 1: Voltage monitoring 1 interrupt is enabled	R/(W) *1
b5	LVD2EN	Voltage Monitoring 2 Interrupt Enable	0: Voltage monitoring 2 interrupt is disabled 1: Voltage monitoring 2 interrupt is enabled	R/(W) *1
b7, b6	—	Reserved	These bits are read as 0. The write value should be 0.	R/W

Note 1. A 1 can be written to this bit only once, and subsequent write accesses are no longer enabled.

NMIEN Bit (NMI Pin Interrupt Enable)

This bit enables the NMI pin interrupt.

A 1 can be written to this bit only once, and subsequent write accesses are no longer enabled.

Writing 0 to this bit is disabled.

OSTEN Bit (Oscillation Stop Detection Interrupt Enable)

This bit enables the oscillation stop detection interrupt.

A 1 can be written to this bit only once, and subsequent write accesses are no longer enabled.

Writing 0 to this bit is disabled.

WDTEN Bit (WDT Underflow/Refresh Error Enable)

This bit enables the WDT underflow/refresh error interrupt.

A 1 can be written to this bit only once, and subsequent write accesses are no longer enabled.

Writing 0 to this bit is disabled.

IWDTEN Bit (IWDT Underflow/Refresh Error Enable)

This bit enables the IWDT underflow/refresh error interrupt.

A 1 can be written to this bit only once, and subsequent write accesses are no longer enabled.

Writing 0 to this bit is disabled.

LVD1EN Bit (Voltage Monitoring 1 Interrupt Enable)

This bit enables the voltage monitoring 1 interrupt.

A 1 can be written to this bit only once, and subsequent write accesses are no longer enabled.

Writing 0 to this bit is disabled.

LVD2EN Bit (Voltage Monitoring 2 Interrupt Enable)

This bit enables the voltage monitoring 2 interrupt.

A 1 can be written to this bit only once, and subsequent write accesses are no longer enabled.

Writing 0 to this bit is disabled.

14.2.13 Non-Maskable Interrupt Status Clear Register (NMICLR)

Address(es): 0008 7582h

	b7	b6	b5	b4	b3	b2	b1	b0
	—	—	LVD2C LR	LVD1C LR	IWDTC LR	WDTCLR R	OSTCLR R	NMICLR R
Value after reset:	0	0	0	0	0	0	0	0

Bit	Symbol	Bit Name	Description	R/W
b0	NMICLR	NMI Clear	This bit is read as 0. Writing 1 to this bit clears the NMISR.NMIST flag. Writing 0 to this bit has no effect.	R/(W) *1
b1	OSTCLR	OST Clear	This bit is read as 0. Writing 1 to this bit clears the NMISR.OSTST flag. Writing 0 to this bit has no effect.	R/(W) *1
b2	WDTCLR	WDT Clear	This bit is read as 0. Writing 1 to this bit clears the NMISR.WDTST flag. Writing 0 to this bit has no effect.	R/(W) *1
b3	IWDTCCLR	IWDT Clear	This bit is read as 0. Writing 1 to this bit clears the NMISR.IWDTST flag. Writing 0 to this bit has no effect.	R/(W) *1
b4	LVD1CLR	LVD1 Clear	This bit is read as 0. Writing 1 to this bit clears the NMISR.LVD1ST flag. Writing 0 to this bit has no effect.	R/(W) *1
b5	LVD2CLR	LVD2 Clear	This bit is read as 0. Writing 1 to this bit clears the NMISR.LVD2ST flag. Writing 0 to this bit has no effect.	R/(W) *1
b7, b6	—	Reserved	These bits are read as 0. The write value should be 0.	R/W

Note 1. Only 1 can be written to this bit.

NMICLR Bit (NMI Clear)

Writing 1 to the NMICLR bit clears the NMISR.NMIST flag.
This bit is read as 0.

OSTCLR Bit (OST Clear)

Writing 1 to the OSTCLR bit clears the NMISR.OSTST flag.
This bit is read as 0.

WDTCLR Bit (WDT Clear)

Writing 1 to the WDTCLR bit clears the NMISR.WDTST flag.
This bit is read as 0.

IWDTCCLR Bit (IWDT Clear)

Writing 1 to the IWDTCCLR bit clears the NMISR.IWDTST flag.
This bit is read as 0.

LVD1CLR Bit (LVD1 Clear)

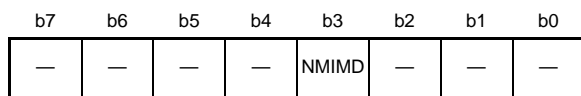
Writing 1 to the LVD1CLR bit clears the NMISR.LVD1ST flag.
This bit is read as 0.

LVD2CLR Bit (LVD2 Clear)

Writing 1 to the LVD2CLR bit clears the NMISR.LVD2ST flag.
This bit is read as 0.

14.2.14 NMI Pin Interrupt Control Register (NMICR)

Address(es): 0008 7583h



Value after reset: 0 0 0 0 0 0 0 0

Bit	Symbol	Bit Name	Description	R/W
b2 to b0	—	Reserved	These bits are read as 0. The write value should be 0.	R/W
b3	NMIMD	NMI Detection Set	0: Falling edge 1: Rising edge	R/W
b7 to b4	—	Reserved	These bits are read as 0. The write value should be 0.	R/W

Change the setting of the NMICR register before the NMI pin interrupt is enabled (before setting the NMIER.NMIEN bit to 1).

NMIMD Bit (NMI Detection Set)

This bit specifies the detection edge of the NMI pin interrupt.

14.2.15 NMI Pin Digital Filter Enable Register (NMIFLTE)

Address(es): 0008 7590h

	b7	b6	b5	b4	b3	b2	b1	b0
	—	—	—	—	—	—	—	NFLTE N
Value after reset:	0	0	0	0	0	0	0	0

Bit	Symbol	Bit Name	Description	R/W
b0	NFLTEN	NMI Digital Filter Enable	0: Digital filter is disabled. 1: Digital filter is enabled.	R/W
b7 to b1	—	Reserved	These bits are read as 0. The write value should be 0.	R/W

NFLTEN Bit (NMI Digital Filter Enable)

This bit enables the digital filter used for the NMI pin interrupt.

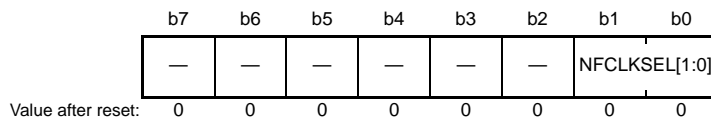
The digital filter is enabled when the NFLTEN bit is 1, and disabled when the NFLTEN bit is 0.

The NMI pin level is sampled at the sampling clock cycle specified with the NMIFLTC.NFCLKSEL[1:0] bits. When the sampled level matches three times, the output level from the digital filter changes.

For details of the digital filter, see section 14.4.7, Digital Filter.

14.2.16 NMI Pin Digital Filter Setting Register (NMIFLTC)

Address(es): 0008 7594h



Bit	Symbol	Bit Name	Description	R/W
b1, b0	NFCLKSEL[1:0]	NMI Digital Filter Sampling Clock	b1 b0 0 0: PCLK 0 1: PCLK/8 1 0: PCLK/32 1 1: PCLK/64	R/W
b7 to b2	—	Reserved	These bits are read as 0. The write value should be 0.	R/W

NFCLKSEL[1:0] Bits (NMI Digital Filter Sampling Clock)

These bits select the cycle of the digital filter sampling clock for the NMI pin interrupt.

The sampling clock cycle can be selected from among the PCLK (every cycle), PCLK/8 (once every eight cycles), PCLK/32 (once every 32 cycles), and PCLK/64 (once every 64 cycles).

For details of the digital filter, see section 14.4.7, Digital Filter.

14.3 Vector Table

There are two types of interrupts detected by the interrupt controller: maskable interrupts and non-maskable interrupts. When the CPU accepts an interrupt or non-maskable interrupt, it acquires a four-byte vector address from the vector table.

14.3.1 Interrupt Vector Table

The interrupt vector table is placed in the 1024-byte range (4 bytes × 256 sources) beginning at the address specified in the interrupt table register (INTB) of the CPU. Write a value to the INTB register before enabling interrupts. The value written to the INTB register should be a multiple of 4.

Executing an INT instruction or BRK instruction leads to the generation of an unconditional trap. The same range of memory as shown in Table 14.3, Interrupt Vector Table, is used for the vectors for unconditional traps. The vector for BRK instructions is vector 0 while the vector numbers for INT instructions are specifiable as numbers in the range from 0 to 255.

Table 14.3 lists details of the interrupt vectors. Details of the headings in Table 14.3 are listed below.

Item	Description
Source of interrupt request generation	Name of the source for generation of the interrupt request
Name	Name of the interrupt
Vector no.	Vector number for the interrupt
Vector address offset	Value of the offset from the base address for the vector table
Form of interrupt detection	“Edge” or “level” as the method for detection of the interrupt
CPU interrupt	“○” in this column indicates usability as a CPU interrupt.
DTC activation	“○” in this column indicates usability as a request for DTC activation.
DMAC activation	“○” in this column indicates usability as a request for DMAC activation.
sstb return	“○” in this column indicates usability as a request for return from software-standby mode.
sacs return	“○” in this column indicates usability as a request for return from all-module clock-stop mode.
IER	Name of the interrupt request enable register (IER) and bit corresponding to the vector number
IPR	Name of the interrupt source priority register (IPR) corresponding to the interrupt source
DTCER	Name of the DTC activation enable register (DTCER) corresponding to the DTC activation source

Table 14.3 Interrupt Vector Table (1/6)

Source of Interrupt Request Generation	Name	Vector No.*1	Vector Address Offset	Form of Interrupt Detection	CPU	DTC	DMAC	ssfb Return	sacs Return	IER	IPR	DTCER
—	For an unconditional trap	0	0000h	—	x	x	x	x	x	—	—	—
—	For an unconditional trap	1	0004h	—	x	x	x	x	x	—	—	—
—	For an unconditional trap	2	0008h	—	x	x	x	x	x	—	—	—
—	For an unconditional trap	3	000Ch	—	x	x	x	x	x	—	—	—
—	For an unconditional trap	4	0010h	—	x	x	x	x	x	—	—	—
—	For an unconditional trap	5	0014h	—	x	x	x	x	x	—	—	—
—	For an unconditional trap	6	0018h	—	x	x	x	x	x	—	—	—
—	For an unconditional trap	7	001Ch	—	x	x	x	x	x	—	—	—
—	For an unconditional trap	8	0020h	—	x	x	x	x	x	—	—	—
—	For an unconditional trap	9	0024h	—	x	x	x	x	x	—	—	—
—	For an unconditional trap	10	0028h	—	x	x	x	x	x	—	—	—
—	For an unconditional trap	11	002Ch	—	x	x	x	x	x	—	—	—
—	For an unconditional trap	12	0030h	—	x	x	x	x	x	—	—	—
—	For an unconditional trap	13	0034h	—	x	x	x	x	x	—	—	—
—	For an unconditional trap	14	0038h	—	x	x	x	x	x	—	—	—
—	For an unconditional trap	15	003Ch	—	x	x	x	x	x	—	—	—
BSC	BUSERR	16	0040h	Level	o	x	x	x	x	IER02.IEN0	IPR000	—
—	Reserved	17	0044h	—	x	x	x	x	x	—	—	—
—	Reserved	18	0048h	—	x	x	x	x	x	—	—	—
—	Reserved	19	004Ch	—	x	x	x	x	x	—	—	—
—	Reserved	20	0050h	—	x	x	x	x	x	—	—	—
FCU	FIFERR	21	0054h	Level	o	x	x	x	x	IER02.IEN5	IPR001	—
—	Reserved	22	0058h	—	x	x	x	x	x	—	—	—
FCU	FRDYI	23	005Ch	Edge	o	x	x	x	x	IER02.IEN7	IPR002	—
—	Reserved	24	0060h	—	x	x	x	x	x	—	—	—
—	Reserved	25	0064h	—	x	x	x	x	x	—	—	—
—	Reserved	26	0068h	—	x	x	x	x	x	—	—	—
ICU	SWINT	27	006Ch	Edge	o	o	x	x	x	IER03.IEN3	IPR003	DTCER027
CMT0	CMI0	28	0070h	Edge	o	o	o	x	x	IER03.IEN4	IPR004	DTCER028
CMT1	CMI1	29	0074h	Edge	o	o	o	x	x	IER03.IEN5	IPR005	DTCER029
CMT2	CMI2	30	0078h	Edge	o	o	o	x	x	IER03.IEN6	IPR006	DTCER030
CMT3	CMI3	31	007Ch	Edge	o	o	o	x	x	IER03.IEN7	IPR007	DTCER031
CAC	FERRF	32	0080h	Level	o	x	x	x	x	IER04.IEN0	IPR032	—
—	MENDF	33	0084h	Level	o	x	x	x	x	IER04.IEN1	IPR033	—
—	OVFF	34	0088h	Level	o	x	x	x	x	IER04.IEN2	IPR034	—
—	Reserved	35	008Ch	—	x	x	x	x	x	—	—	—
—	Reserved	36	0090h	—	x	x	x	x	x	—	—	—
—	Reserved	37	0094h	—	x	x	x	x	x	—	—	—
—	Reserved	38	0098h	—	x	x	x	x	x	—	—	—

Table 14.3 Interrupt Vector Table (2/6)

Source of Interrupt Request Generation	Name	Vector No.*1	Vector Address Offset	Form of Interrupt Detection	CPU	DTC	DMAC	ssrb Return	sacs Return	IER	IPR	DTCER
—	Reserved	39	009Ch	—	x	x	x	x	x	—	—	—
—	Reserved	40	00A0h	—	x	x	x	x	x	—	—	—
—	Reserved	41	00A4h	—	x	x	x	x	x	—	—	—
—	Reserved	42	00A8h	—	x	x	x	x	x	—	—	—
—	Reserved	43	00ACh	—	x	x	x	x	x	—	—	—
RSPi0	SPEi0	44	00B0h	Level	o	x	x	x	x	IER05.IEN4	IPR044	—
	SPRi0	45	00B4h	Edge	o	o	o	x	x	IER05.IEN5		DTCER045
	SPTi0	46	00B8h	Edge	o	o	o	x	x	IER05.IEN6		DTCER046
	SPIi0	47	00BCh	Level	o	x	x	x	x	IER05.IEN7		—
—	Reserved	48	00C0h	—	x	x	x	x	x	—	—	—
—	Reserved	49	00C4h	—	x	x	x	x	x	—	—	—
—	Reserved	50	00C8h	—	x	x	x	x	x	—	—	—
—	Reserved	51	00CCh	—	x	x	x	x	x	—	—	—
—	Reserved	52	00D0h	—	x	x	x	x	x	—	—	—
—	Reserved	53	00D4h	—	x	x	x	x	x	—	—	—
—	Reserved	54	00D8h	—	x	x	x	x	x	—	—	—
—	Reserved	55	00DCh	—	x	x	x	x	x	—	—	—
—	Reserved	56	00E0h	—	x	x	x	x	x	—	—	—
DOC	DOPCF	57	00E4h	Level	o	x	x	x	x	IER07.IEN1	IPR057	—
CMPB	CMPB0	58	00E8h	Edge	o	o	o	x	x	IER07.IEN2	IPR058	DTCER058
	CMPB1	59	00ECh	Edge	o	o	o	x	x	IER07.IEN3	IPR059	DTCER059
—	Reserved	60	00F0h	—	x	x	x	x	x	—	—	—
—	Reserved	61	00F4h	—	x	x	x	x	x	—	—	—
—	Reserved	62	00F8h	—	x	x	x	x	x	—	—	—
RTC	CUP	63	00FCh	Edge	o	x	x	x	x	IER07.IEN7	IPR063	—
ICU	IRQ0	64	0100h	Edge/Level	o	o	o	o	o	IER08.IEN0	IPR064	DTCER064
	IRQ1	65	0104h	Edge/Level	o	o	o	o	o	IER08.IEN1	IPR065	DTCER065
	IRQ2	66	0108h	Edge/Level	o	o	o	o	o	IER08.IEN2	IPR066	DTCER066
	IRQ3	67	010Ch	Edge/Level	o	o	o	o	o	IER08.IEN3	IPR067	DTCER067
	IRQ4	68	0110h	Edge/Level	o	o	x	o	o	IER08.IEN4	IPR068	DTCER068
	IRQ5	69	0114h	Edge/Level	o	o	o	o	o	IER08.IEN5	IPR069	DTCER069
	IRQ6	70	0118h	Edge/Level	o	o	x	o	o	IER08.IEN6	IPR070	DTCER070
	IRQ7	71	011Ch	Edge/Level	o	o	x	o	o	IER08.IEN7	IPR071	DTCER071
—	Reserved	72	0120h	—	x	x	x	x	x	—	—	—
—	Reserved	73	0124h	—	x	x	x	x	x	—	—	—
—	Reserved	74	0128h	—	x	x	x	x	x	—	—	—
—	Reserved	75	012Ch	—	x	x	x	x	x	—	—	—
—	Reserved	76	0130h	—	x	x	x	x	x	—	—	—
—	Reserved	77	0134h	—	x	x	x	x	x	—	—	—
—	Reserved	78	0138h	—	x	x	x	x	x	—	—	—
—	Reserved	79	013Ch	—	x	x	x	x	x	—	—	—
—	Reserved	80	0140h	—	x	x	x	x	x	—	—	—
—	Reserved	81	0144h	—	x	x	x	x	x	—	—	—
—	Reserved	82	0148h	—	x	x	x	x	x	—	—	—
—	Reserved	83	014Ch	—	x	x	x	x	x	—	—	—
—	Reserved	84	0150h	—	x	x	x	x	x	—	—	—
—	Reserved	85	0154h	—	x	x	x	x	x	—	—	—

Table 14.3 Interrupt Vector Table (3/6)

Source of Interrupt Request Generation	Name	Vector No.*1	Vector Address Offset	Form of Interrupt Detection	CPU	DTC	DMAC	ssrb Return	sacs Return	IER	IPR	DTCER
—	Reserved	86	0158h	—	x	x	x	x	x	—	—	—
—	Reserved	87	015Ch	—	x	x	x	x	x	—	—	—
LVD/CMPA	LVD1/CMPA1	88	0160h	Edge	o	x	x	o	o	IER0B.IEN0	IPR088	—
	LVD2/CMPA2	89	0164h	Edge	o	x	x	o	o	IER0B.IEN1	IPR089	—
—	Reserved	90	0168h	—	x	x	x	x	x	—	—	—
—	Reserved	91	016Ch	—	x	x	x	x	x	—	—	—
RTC	ALM	92	0170h	Edge	o	x	x	o	o	IER0B.IEN4	IPR092	—
	PRD	93	0174h	Edge	o	x	x	o	o	IER0B.IEN5	IPR093	—
—	Reserved	94	0178h	—	x	x	x	x	x	—	—	—
—	Reserved	95	017Ch	—	x	x	x	x	x	—	—	—
—	Reserved	96	0180h	—	x	x	x	x	x	—	—	—
—	Reserved	97	0184h	—	x	x	x	x	x	—	—	—
—	Reserved	98	0188h	—	x	x	x	x	x	—	—	—
—	Reserved	99	018Ch	—	x	x	x	x	x	—	—	—
—	Reserved	100	0190h	—	x	x	x	x	x	—	—	—
—	Reserved	101	0194h	—	x	x	x	x	x	—	—	—
S12AD	S12ADI0	102	0198h	Edge	o	o	o	x	x	IER0C.IEN6	IPR102	DTCER102
	GBADI	103	019Ch	Edge	o	o	o	x	x	IER0C.IEN7	IPR103	DTCER103
—	Reserved	104	01A0h	—	x	x	x	x	x	—	—	—
—	Reserved	105	01A4h	—	x	x	x	x	x	—	—	—
ELC	ELSR18I	106	01A8h	Edge	o	o	o	x	x	IER0D.IEN2	IPR106	DTCER106
	ELSR19I	107	01ACh	Edge	o	o	o	x	x	IER0D.IEN3	IPR107	DTCER107
—	Reserved	108	01B0h	—	x	x	x	x	x	—	—	—
—	Reserved	109	01B4h	—	x	x	x	x	x	—	—	—
—	Reserved	110	01B8h	—	x	x	x	x	x	—	—	—
—	Reserved	111	01BCh	—	x	x	x	x	x	—	—	—
—	Reserved	112	01C0h	—	x	x	x	x	x	—	—	—
—	Reserved	113	01C4h	—	x	x	x	x	x	—	—	—
MTU0	TGIA0	114	01C8h	Edge	o	o	o	x	x	IER0E.IEN2	IPR114	DTCER114
	TGIB0	115	01CCh	Edge	o	o	x	x	x	IER0E.IEN3		DTCER115
	TGIC0	116	01D0h	Edge	o	o	x	x	x	IER0E.IEN4		DTCER116
	TGID0	117	01D4h	Edge	o	o	x	x	x	IER0E.IEN5		DTCER117
	TCIV0	118	01D8h	Edge	o	x	x	x	x	IER0E.IEN6	IPR118	—
	TGIE0	119	01DCh	Edge	o	x	x	x	x	IER0E.IEN7		—
	TGIF0	120	01E0h	Edge	o	x	x	x	x	IER0F.IEN0		—
MTU1	TGIA1	121	01E4h	Edge	o	o	o	x	x	IER0F.IEN1	IPR121	DTCER121
	TGIB1	122	01E8h	Edge	o	o	x	x	x	IER0F.IEN2		DTCER122
	TCIV1	123	01ECh	Edge	o	x	x	x	x	IER0F.IEN3	IPR123	—
	TCIU1	124	01F0h	Edge	o	x	x	x	x	IER0F.IEN4		—
MTU2	TGIA2	125	01F4h	Edge	o	o	o	x	x	IER0F.IEN5	IPR125	DTCER125
	TGIB2	126	01F8h	Edge	o	o	x	x	x	IER0F.IEN6		DTCER126
	TCIV2	127	01FCh	Edge	o	x	x	x	x	IER0F.IEN7	IPR127	—
	TCIU2	128	0200h	Edge	o	x	x	x	x	IER10.IEN0		—

Table 14.3 Interrupt Vector Table (4/6)

Source of Interrupt Request Generation	Name	Vector No.*1	Vector Address Offset	Form of Interrupt Detection	CPU	DTC	DMAC	ssrb Return	sacs Return	IER	IPR	DTCER
MTU3	TGIA3	129	0204h	Edge	○	○	○	x	x	IER10.IEN1	IPR129	DTCER129
	TGIB3	130	0208h	Edge	○	○	x	x	x	IER10.IEN2		DTCER130
	TGIC3	131	020Ch	Edge	○	○	x	x	x	IER10.IEN3		DTCER131
	TGID3	132	0210h	Edge	○	○	x	x	x	IER10.IEN4		DTCER132
	TCIV3	133	0214h	Edge	○	x	x	x	x	IER10.IEN5	IPR133	—
MTU4	TGIA4	134	0218h	Edge	○	○	○	x	x	IER10.IEN6	IPR134	DTCER134
	TGIB4	135	021Ch	Edge	○	○	x	x	x	IER10.IEN7		DTCER135
	TGIC4	136	0220h	Edge	○	○	x	x	x	IER11.IEN0		DTCER136
	TGID4	137	0224h	Edge	○	○	x	x	x	IER11.IEN1		DTCER137
	TCIV4	138	0228h	Edge	○	○	x	x	x	IER11.IEN2	IPR138	DTCER138
MTU5	TGIU5	139	022Ch	Edge	○	○	x	x	x	IER11.IEN3	IPR139	DTCER139
	TGIV5	140	0230h	Edge	○	○	x	x	x	IER11.IEN4		DTCER140
	TGIW5	141	0234h	Edge	○	○	x	x	x	IER11.IEN5		DTCER141
TPU0	TGI0A	142	0238h	Edge	○	○	○	x	x	IER11.IEN6	IPR142	DTCER142
	TGI0B	143	023Ch	Edge	○	○	x	x	x	IER11.IEN7		DTCER143
	TGI0C	144	0240h	Edge	○	○	x	x	x	IER12.IEN0		DTCER144
	TGI0D	145	0244h	Edge	○	○	x	x	x	IER12.IEN1		DTCER145
	TCI0V	146	0248h	Edge	○	x	x	x	x	IER12.IEN2	IPR146	—
TPU1	TGI1A	147	024Ch	Edge	○	○	○	x	x	IER12.IEN3	IPR147	DTCER147
	TGI1B	148	0250h	Edge	○	○	x	x	x	IER12.IEN4		DTCER148
	TCI1V	149	0254h	Edge	○	x	x	x	x	IER12.IEN5	IPR149	—
	TCI1U	150	0258h	Edge	○	x	x	x	x	IER12.IEN6		—
TPU2	TGI2A	151	025Ch	Edge	○	○	○	x	x	IER12.IEN7	IPR151	DTCER151
	TGI2B	152	0260h	Edge	○	○	x	x	x	IER13.IEN0		DTCER152
	TCI2V	153	0264h	Edge	○	x	x	x	x	IER13.IEN1	IPR153	—
	TCI2U	154	0268h	Edge	○	x	x	x	x	IER13.IEN2		—
TPU3	TGI3A	155	026Ch	Edge	○	○	○	x	x	IER13.IEN3	IPR155	DTCER155
	TGIB3	156	0270h	Edge	○	○	x	x	x	IER13.IEN4		DTCER156
	TGI3C	157	0274h	Edge	○	○	x	x	x	IER13.IEN5		DTCER157
	TGI3D	158	0278h	Edge	○	○	x	x	x	IER13.IEN6		DTCER158
	TCI3V	159	027Ch	Edge	○	x	x	x	x	IER13.IEN7	IPR159	—
TPU4	TGI4A	160	0280h	Edge	○	○	○	x	x	IER14.IEN0	IPR160	DTCER160
	TGI4B	161	0284h	Edge	○	○	x	x	x	IER14.IEN1		DTCER161
	TCI4V	162	0288h	Edge	○	x	x	x	x	IER14.IEN2	IPR162	—
	TCI4U	163	028Ch	Edge	○	x	x	x	x	IER14.IEN3		—
TPU5	TGI5A	164	0290h	Edge	○	○	○	x	x	IER14.IEN4	IPR164	DTCER164
	TGI5B	165	0294h	Edge	○	○	x	x	x	IER14.IEN5		DTCER165
	TCI5V	166	0298h	Edge	○	x	x	x	x	IER14.IEN6	IPR166	—
	TCI5U	167	029Ch	Edge	○	x	x	x	x	IER14.IEN7		—
—	Reserved	168	02A0h	—	x	x	x	x	x	—	—	—
—	Reserved	169	02A4h	—	x	x	x	x	x	—	—	—
POE	OEI1	170	02A8h	Level	○	x	x	x	x	IER15.IEN2	IPR170	—
	OEI2	171	02ACh	Level	○	x	x	x	x	IER15.IEN3		IPR171
—	Reserved	172	02B0h	—	x	x	x	x	x	—	—	—
—	Reserved	173	02B4h	—	x	x	x	x	x	—	—	—

Table 14.3 Interrupt Vector Table (5/6)

Source of Interrupt Request Generation	Name	Vector No.*1	Vector Address Offset	Form of Interrupt Detection	CPU	DTC	DMAC	ssrb Return	sacs Return	IER	IPR	DTCER
TMR0	CMIA0	174	02B8h	Edge	○	○	×	×	○	IER15.IEN6	IPR174	DTCER174
	CMIB0	175	02BCh	Edge	○	○	×	×	○	IER15.IEN7		DTCER175
	OVI0	176	02C0h	Edge	○	×	×	×	○	IER16.IEN0		—
TMR1	CMIA1	177	02C4h	Edge	○	○	×	×	○	IER16.IEN1	IPR177	DTCER177
	CMIB1	178	02C8h	Edge	○	○	×	×	○	IER16.IEN2		DTCER178
	OVI1	179	02CCh	Edge	○	×	×	×	○	IER16.IEN3		—
TMR2	CMIA2	180	02D0h	Edge	○	○	×	×	○	IER16.IEN4	IPR180	DTCER180
	CMIB2	181	02D4h	Edge	○	○	×	×	○	IER16.IEN5		DTCER181
	OVI2	182	02D8h	Edge	○	×	×	×	○	IER16.IEN6		—
TMR3	CMIA3	183	02DCh	Edge	○	○	×	×	○	IER16.IEN7	IPR183	DTCER183
	CMIB3	184	02E0h	Edge	○	○	×	×	○	IER17.IEN0		DTCER184
	OVI3	185	02E4h	Edge	○	×	×	×	○	IER17.IEN1		—
SCI2	ERI2	186	02E8h	Level	○	×	×	×	×	IER17.IEN2	IPR186	—
	RXI2	187	02ECh	Edge	○	○	○	×	×	IER17.IEN3		DTCER187
	TXI2	188	02F0h	Edge	○	○	○	×	×	IER17.IEN4		DTCER188
	TEI2	189	02F4h	Level	○	×	×	×	×	IER17.IEN5		—
SCI3	ERI3	190	02F8h	Level	○	×	×	×	×	IER17.IEN6	IPR190	—
	RXI3	191	02FCh	Edge	○	○	○	×	×	IER17.IEN7		DTCER191
	TXI3	192	0300h	Edge	○	○	○	×	×	IER18.IEN0		DTCER192
	TEI3	193	0304h	Level	○	×	×	×	×	IER18.IEN1		—
SCI4	ERI4	194	0308h	Level	○	×	×	×	×	IER18.IEN2	IPR194	—
	RXI4	195	030Ch	Edge	○	○	○	×	×	IER18.IEN3		DTCER195
	TXI4	196	0310h	Edge	○	○	○	×	×	IER18.IEN4		DTCER196
	TEI4	197	0314h	Level	○	×	×	×	×	IER18.IEN5		—
DMAC	DMAC0I	198	0318h	Edge	○	○	×	×	×	IER18.IEN6	IPR198	DTCER198
	DMAC1I	199	031Ch	Edge	○	○	×	×	×	IER18.IEN7	IPR199	DTCER199
	DMAC2I	200	0320h	Edge	○	○	×	×	×	IER19.IEN0	IPR200	DTCER200
	DMAC3I	201	0324h	Edge	○	○	×	×	×	IER19.IEN1	IPR201	DTCER201
—	Reserved	202	0328h	—	×	×	×	×	×	—	—	—
—	Reserved	203	032Ch	—	×	×	×	×	×	—	—	—
—	Reserved	204	0330h	—	×	×	×	×	×	—	—	—
—	Reserved	205	0334h	—	×	×	×	×	×	—	—	—
SCI7	ERI7	206	0338h	Level	○	×	×	×	×	IER19.IEN6	IPR206	—
	RXI7	207	033Ch	Edge	○	○	○	×	×	IER19.IEN7		DTCER207
	TXI7	208	0340h	Edge	○	○	○	×	×	IER1A.IEN0		DTCER208
	TEI7	209	0344h	Level	○	×	×	×	×	IER1A.IEN1		—
SCI10	ERI10	210	0348h	Level	○	×	×	×	×	IER1A.IEN2	IPR210	—
	RXI10	211	034Ch	Edge	○	○	○	×	×	IER1A.IEN3		DTCER211
	TXI10	212	0350h	Edge	○	○	○	×	×	IER1A.IEN4		DTCER212
	TEI10	213	0354h	Level	○	×	×	×	×	IER1A.IEN5		—
SCI0	ERI0	214	0358h	Level	○	×	×	×	×	IER1A.IEN6	IPR214	—
	RXI0	215	035Ch	Edge	○	○	○	×	×	IER1A.IEN7		DTCER215
	TXI0	216	0360h	Edge	○	○	○	×	×	IER1B.IEN0		DTCER216
	TEI0	217	0364h	Level	○	×	×	×	×	IER1B.IEN1		—

Table 14.3 Interrupt Vector Table (6/6)

Source of Interrupt Request Generation	Name	Vector No.*1	Vector Address Offset	Form of Interrupt Detection	CPU	DTC	DMAC	ssfb Return	sacs Return	IER	IPR	DTCER
SCI1	ERI1	218	0368h	Level	○	×	×	×	×	IER1B.IEN2	IPR218	—
	RXI1	219	036Ch	Edge	○	○	○	×	×	IER1B.IEN3		DTCER219
	TXI1	220	0370h	Edge	○	○	○	×	×	IER1B.IEN4		DTCER220
	TEI1	221	0374h	Level	○	×	×	×	×	IER1B.IEN5		—
SCI5	ERI5	222	0378h	Level	○	×	×	×	×	IER1B.IEN6	IPR222	—
	RXI5	223	037Ch	Edge	○	○	○	×	×	IER1B.IEN7		DTCER223
	TXI5	224	0380h	Edge	○	○	○	×	×	IER1C.IEN0		DTCER224
	TEI5	225	0384h	Level	○	×	×	×	×	IER1C.IEN1		—
SCI6	ERI6	226	0388h	Level	○	×	×	×	×	IER1C.IEN2	IPR226	—
	RXI6	227	038Ch	Edge	○	○	○	×	×	IER1C.IEN3		DTCER227
	TXI6	228	0390h	Edge	○	○	○	×	×	IER1C.IEN4		DTCER228
	TEI6	229	0394h	Level	○	×	×	×	×	IER1C.IEN5		—
SCI8	ERI8	230	0398h	Level	○	×	×	×	×	IER1C.IEN6	IPR230	—
	RXI8	231	039Ch	Edge	○	○	○	×	×	IER1C.IEN7		DTCER231
	TXI8	232	03A0h	Edge	○	○	○	×	×	IER1D.IEN0		DTCER232
	TEI8	233	03A4h	Level	○	×	×	×	×	IER1D.IEN1		—
SCI9	ERI9	234	03A8h	Level	○	×	×	×	×	IER1D.IEN2	IPR234	—
	RXI9	235	03ACh	Edge	○	○	○	×	×	IER1D.IEN3		DTCER235
	TXI9	236	03B0h	Edge	○	○	○	×	×	IER1D.IEN4		DTCER236
	TEI9	237	03B4h	Level	○	×	×	×	×	IER1D.IEN5		—
SCI12	ERI12	238	03B8h	Level	○	×	×	×	×	IER1D.IEN6	IPR238	—
	RXI12	239	03BCh	Edge	○	○	○	×	×	IER1D.IEN7		DTCER239
	TXI12	240	03C0h	Edge	○	○	○	×	×	IER1E.IEN0		DTCER240
	TEI12	241	03C4h	Level	○	×	×	×	×	IER1E.IEN1		—
	SCIX0	242	03C8h	Level	○	×	×	×	×	IER1E.IEN2	IPR242	—
	SCIX1	243	03CCh	Level	○	×	×	×	×	IER1E.IEN3	IPR243	—
	SCIX2	244	03D0h	Level	○	×	×	×	×	IER1E.IEN4	IPR244	—
	SCIX3	245	03D4h	Level	○	×	×	×	×	IER1E.IEN5	IPR245	—
RIIC0	EEI0	246	03D8h	Level	○	×	×	×	×	IER1E.IEN6	IPR246	—
	RXI0	247	03DCh	Edge	○	○	○	×	×	IER1E.IEN7	IPR247	DTCER247
	TXI0	248	03E0h	Edge	○	○	○	×	×	IER1F.IEN0	IPR248	DTCER248
	TEI0	249	03E4h	Level	○	×	×	×	×	IER1F.IEN1	IPR249	—
SCI11	ERI11	250	03E8h	Level	○	×	×	×	×	IER1F.IEN2	IPR250	—
	RXI11	251	03ECh	Edge	○	○	○	×	×	IER1F.IEN3		DTCER251
	TXI11	252	03F0h	Edge	○	○	○	×	×	IER1F.IEN4		DTCER252
	TEI11	253	03F4h	Level	○	×	×	×	×	IER1F.IEN5		—
—	Reserved	254	03F8h	—	×	×	×	×	×	—	—	—
—	Reserved	255	03FCh	—	×	×	×	×	×	—	—	—

Note 1. An interrupt source with a smaller vector number takes precedence.

14.3.2 Fast Interrupt Vector Table

The address of the entry in the interrupt vector table that corresponds to the vector number of the fast interrupt is placed in the fast interrupt vector register (FINTV) of the CPU.

14.3.3 Non-maskable Interrupt Vector Table

The non-maskable interrupt vector table is at FFFF FFF8h.

14.4 Interrupt Operation

The interrupt controller performs the following processing.

- Detecting interrupts
- Enabling and disabling interrupts
- Selecting interrupt request destinations (CPU interrupt, DTC activation, or DMAC activation)
- Determining priority

14.4.1 Detecting Interrupts

Interrupt requests are detected in either of two ways: the detection of edges of the interrupt signal or the detection of a level of the interrupt signal.

Edge detection or level detection is selected for the IRQ_i pins ($i = 0$ to 7) as external interrupt requests by the setting of the IRQMD[1:0] bits in IRQCR_i.

For interrupts from peripheral modules, either edge detection or level detection is determined per interrupt source.

For the correspondence between interrupt sources and methods of detection, see Table 14.3, Interrupt Vector Table.

14.4.1.1 Operation of Status Flags for Edge-Detected Interrupts

Figure 14.2 shows the operation of the IR flag in IR_n in the case of edge detection of an interrupt from a peripheral module or on an external pin.

The IR flag in IR_n is set to 1 immediately after the transition of the interrupt signal due to generation of the interrupt. If the CPU is the request destination for the interrupt, the IR flag is automatically cleared to 0 on acceptance of the interrupt. If the DMAC or DTC is the request destination for the interrupt, the IR_n.IR flag operation differs according to the DMAC/DTC transfer settings and transfer count. For details, see Table 14.4, Operation at DMAC/DTC Activation.

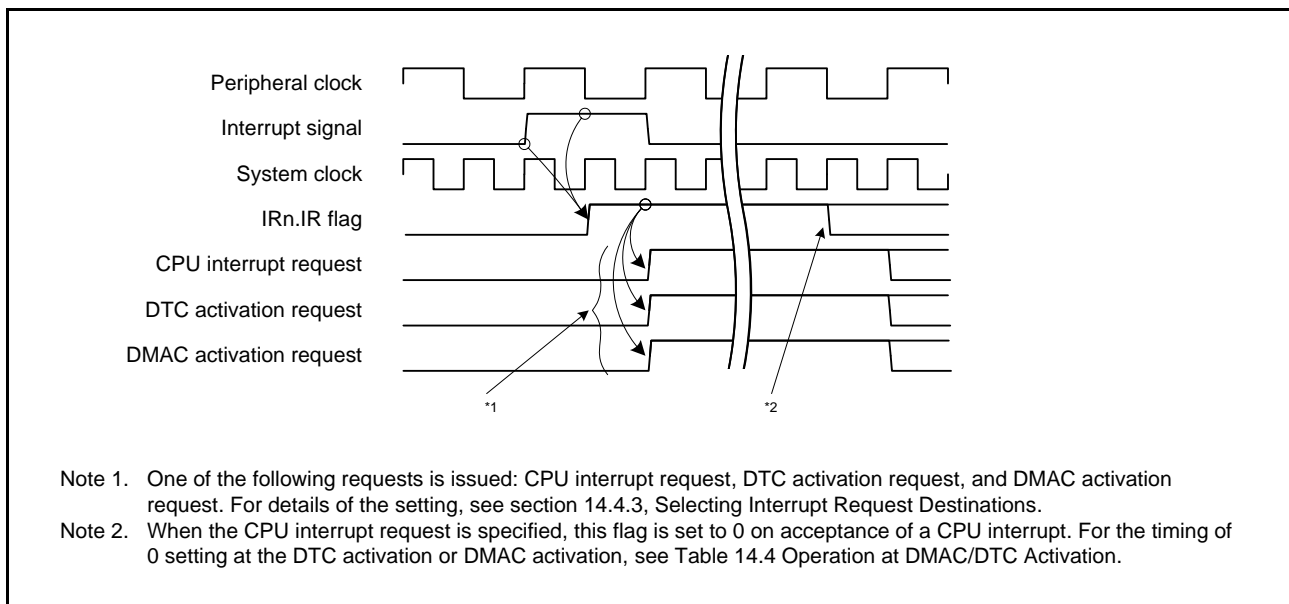


Figure 14.2 IR_n.IR Flag Operation for Edge Detection Interrupts

Figure 14.3 to Figure 14.6 show the interrupt signals of the interrupt controller. Note that the timings of the interrupts with interrupt vector numbers 64 to 95 are different from those of other interrupts. For the IRQ pin interrupts with interrupt vector numbers 64 to 79, “internal delay + 2 PCLK cycles” of delay is added after the IRQ pin input. For the interrupts with interrupt vector numbers 80 to 95, “2 PCLK cycles” of delay is added.

If an interrupt signal is generated every clock cycle, the subsequent interrupts cannot be detected; secure two or more clock cycles of the system clock or peripheral clock, whichever is slower, between issuance of continuous interrupt requests.

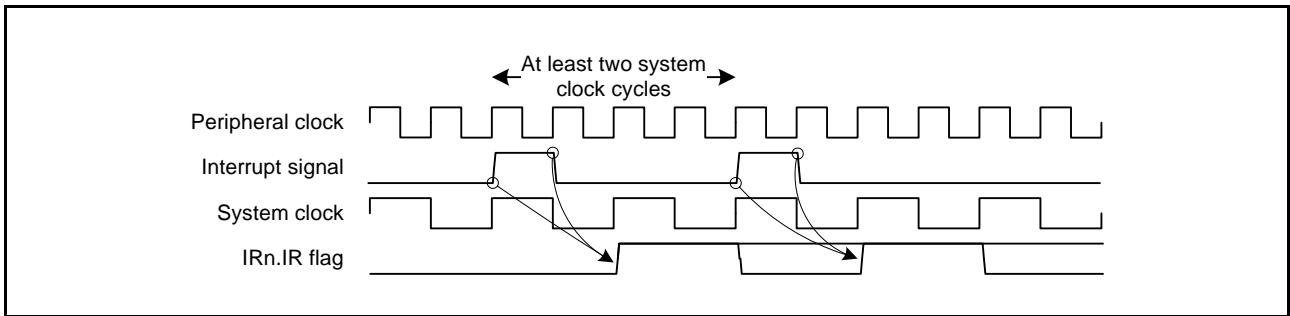


Figure 14.3 Interval Required between Issuance of Continuous Interrupt Requests (when the Frequency of System Clock is Slower than that of the Peripheral Clock)

While the IRn.IR flag is 1 after an interrupt request is generated, the interrupt request that is generated again will be ignored.*1

Figure 14.4 shows the timing for IRn.IR flag re-setting.

Note 1. When the transmission or reception interrupt of the SCI, RSPI, or RIIC is generated with the IRn.IR flag being 1, the interrupt request is retained. After the IRn.IR flag is cleared to 0, the IRn.IR flag is set to 1 again by the retained request. For details, see descriptions of the interrupts in section 29, Serial Communications Interface (SC1c, SC1d), section 30, I²C Bus Interface (RIIC), and section 31, Serial Peripheral Interface (RSPI).

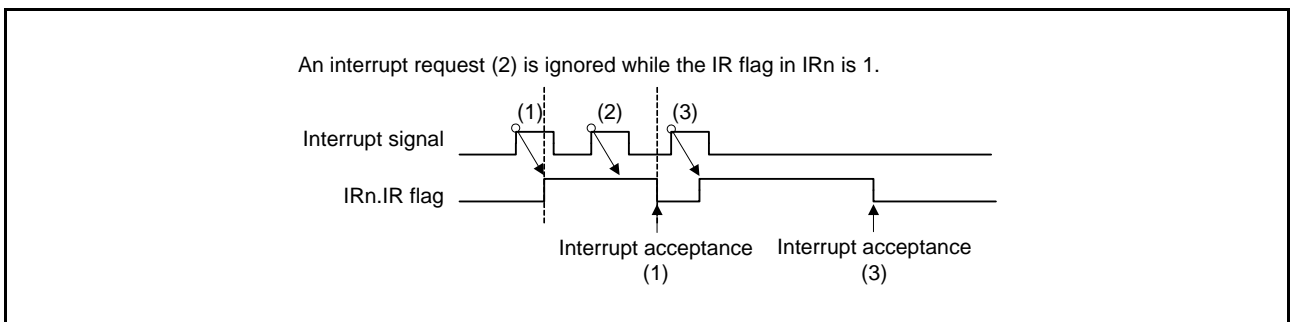


Figure 14.4 Timing for IRn.IR Flag Re-Setting

If an interrupt is disabled after the IRn.IR flag is set to 1 (output of the interrupt request is disabled by the interrupt enable bit of the relevant peripheral module), the IRn.IR flag is not affected but retains its state. Figure 14.5 shows operation when the interrupt is disabled.

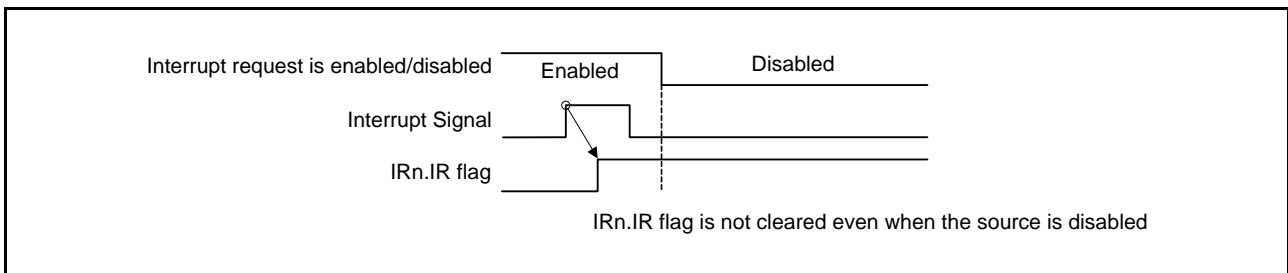


Figure 14.5 Relationship between IRn.IR Flag Operation and Disabling of Interrupt Request

14.4.1.2 Operation of Status Flags for Level-Detected Interrupts

Figure 14.6 shows the operation of the interrupt status flag (IR flag) in IRn in the case of level detection of an interrupt from a peripheral module or an external pin.

The IR flag in IRn remains set to 1 as long as the interrupt signal is asserted. To clear the IRn.IR flag to 0, clear the interrupt request in the source generating the interrupt. Confirm that the interrupt request flag in the source generating the interrupt has been cleared to 0 and that the IRn.IR flag has been cleared to 0, and then complete the interrupt handling.

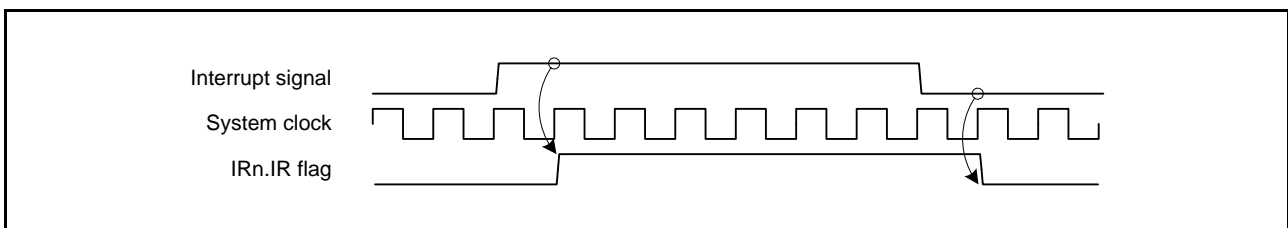


Figure 14.6 IRn.IR Flag Operation for Level Detection Interrupts

Figure 14.7 shows the procedure for handling level detection interrupts.

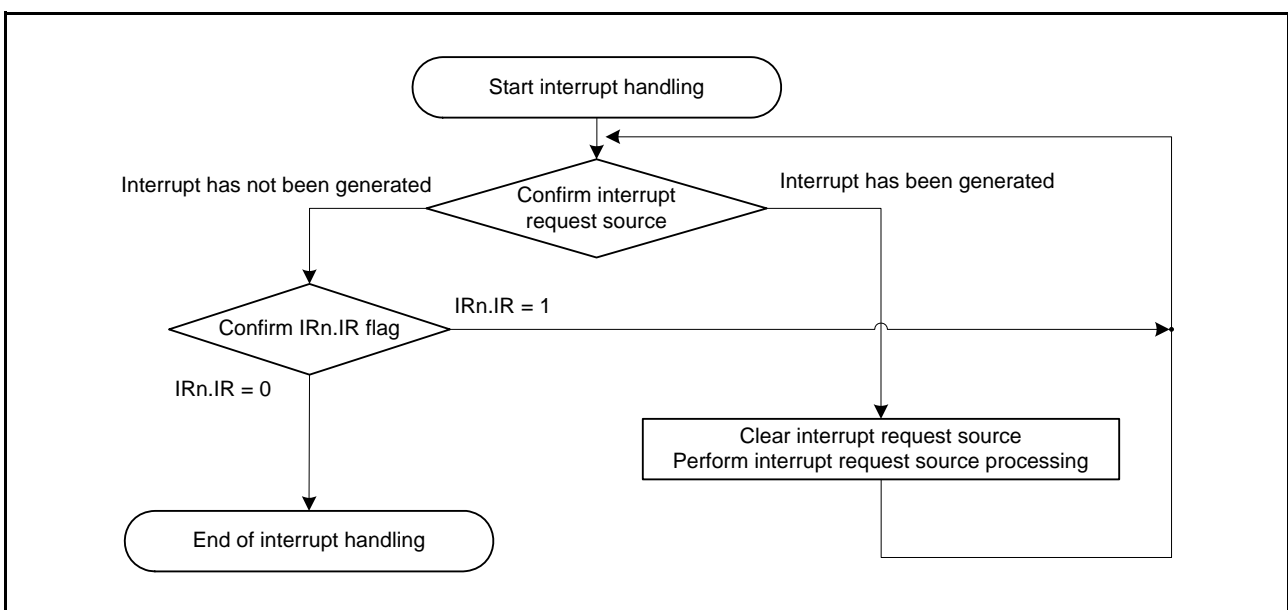


Figure 14.7 Procedure for Handling Level Detection Interrupts

14.4.2 Enabling and Disabling Interrupt Sources

Enabling requests from a given interrupt source requires the following settings.

1. In the case of interrupt requests from peripheral modules, setting the interrupt enable bit for the peripheral module to permit the output of interrupt requests from the source
2. Enabling of the interrupt by the IERm.IENj bit

When an interrupt request that is enabled at the corresponding source is generated, the corresponding IRn.IR flag is set to 1. Setting the IERm.IENj bit to enable an interrupt request allows the interrupt request for which the corresponding IRn.IR is 1 to be output to the interrupt request destination. Setting the IERm.IENj bit to disable an interrupt request suspends the output of the interrupt request for which the corresponding IRn.IR is 1.

The IRn.IR flag is not affected by the IERm.IENj bit.

Use the following procedure to disable interrupt requests.

1. Set the IERm.IENj bit to disable interrupt requests.
2. Set the peripheral module interrupt output enable bit to disable the output. Read the last written register and confirm that writing is completed.
3. Check the IRn.IR flag, and clear the IRn.IR flag if necessary.*1

Note 1. To disable the transmission or reception interrupt of the SCI, RSPI, or RIIC from the enabled state, clear the IRn.IR flag to 0 using the above procedure. For details, see descriptions of the interrupts in section 29, Serial Communications Interface (SCIc, SCId), section 30, I²C Bus Interface (RIIC), and section 31, Serial Peripheral Interface (RSPI).

14.4.3 Selecting Interrupt Request Destinations

Possible settings for the request destination of each interrupt are fixed. That is, settings for request destination other than those indicated in Table 14.3, Interrupt Vector Table, are not possible. Do not make an interrupt request destination setting that is not indicated by a 0 in Table 14.3.

If the DMAC or DTC is selected as the destination for requests from an IRQ pin, be sure to set the IRQMD[1:0] bits in IRQCRi for that interrupt to select edge detection.

The following describes how to specify the destinations of interrupt requests.

(1) DMAC Activation

Make the following settings for each source while the IERm.IENj bit is 0.

1. Specify the vector number of the desired interrupt in the DMAC activation request select register (DMRSRm) for the required channel of the DMAC.*1
2. Set the activation source for the target DMAC channel (DMACm.DMTMD.DCTG[1:0]) to 01b (interrupt module detection).
3. Set the DMAC activation enable bit for the target DMAC channel (DMACm.DMCNT.DTE) to 1.

After making the above settings, set the IERm.IENj bit to 1.

In addition, set the DMAC operation enable bit (DMAST.DMST) to 1. The order of making settings for each interrupt and enabling the DMAC operation enable bit does not matter.

For the DMAC setting procedure, refer to section 16.3.7, Activating the DMAC in section 16, DMA Controller (DMACA).

(2) DTC Activation

Make the following settings for each source while the IERm.IENj bit is 0.

1. Set the DTC activation enable bit in the DTC activation enable register (DTCERn.DTCE) for the pertinent source to 1.*1

After making the above settings, set the IERm.IENj bit to 1.

In addition, set the DTC module activation bit (DTCST.DTCST) to 1. The order of making settings for each interrupt and enabling the DTC module activation bit does not matter.

For the DTC setting procedure, refer to section 17.5, DTC Setting Procedure, in section 17, Data Transfer Controller (DTCa).

Note 1. Do not set a DTC activation enable bit (DTCERn.DTCE) and a DMAC activation request select register (DMRSRm) to select the same source. Do not select the same source in more than one DMRSRm register.

(3) CPU Interrupt Request

If the interrupt request destination is neither the DMAC nor the DTC, the interrupt request is sent to the CPU. Set the IERm.IENj bit to 1 while neither the DMAC activation settings nor the DTC activation settings described above are in place.

Table 14.4 shows operation when the DTC or the DMAC is the request destination.

Table 14.4 Operation at DMAC/DTC Activation

Interrupt Request Destination	DISEL	Remaining Number of Transfer Operations	Operation per Request	IR*1	Interrupt Request Destination after Transfer
DMAC	1	≠ 0	DMA transfer → CPU interrupt	Cleared on interrupt acceptance by the CPU	DMAC
		= 0	DMA transfer → CPU interrupt	Cleared on interrupt acceptance by the CPU	The DMACm.DMCNT.DTE bit is cleared and the CPU becomes the destination.
	0	≠ 0	DMA transfer	Cleared at the start of DMAC transfer	DMAC
		= 0	DMA transfer*2	Cleared at the start of DMAC transfer*2	The DMACm.DMCNT.DTE bit is cleared and the CPU becomes the destination.
DTC*3	1	≠ 0	DTC transfer → CPU interrupt	Cleared on interrupt acceptance by the CPU	DTC
		= 0	DTC transfer → CPU interrupt	Cleared on interrupt acceptance by the CPU	The DTCER.DTCE bit is cleared and the CPU becomes the destination.
	0	≠ 0	DTC transfer	Cleared at the start of DTC data transfer after reading DTC transfer information	DTC
		= 0	DTC transfer → CPU interrupt *2	Cleared on interrupt acceptance by the CPU*2	The DTCER.DTCE bit is cleared and the CPU becomes the destination.

DISEL for the DMAC is set by the DMACm.DMCSL.DISEL bit; DISEL for the DTC is set by the DTC.MRB.DISEL bit.

Note 1. When the IRn.IR flag is 1, an interrupt request (DTC or DMAC activation request) that is generated again will be ignored.

Note 2. When the DISEL bit is 0, operation with the remaining number of transfer operations being 0 differs according to whether the source is for DTC or DMAC.

Note 3. For chain transfer, DTC transfer continues until the last chain transfer ends. Whether a CPU interrupt is generated at the end of chain transfer, the IRn.IR flag clear timing, and the interrupt request destination after transfer are determined by the state of DISEL and the remaining transfer count at the end of chain transfer. For the chain transfer, see Table 17.3, Chain Transfer Conditions in section 17, Data Transfer Controller (DTCa).

The request destination for an interrupt should be changed while the IERm.IENj bit is 0.

When a source is to be changed to an interrupt request or the DMA activation source is to be changed while a transfer is not complete (i.e. while the DMACm.DMCNT.DTE bit has not been cleared) after the settings described under (1) **DMAC Activation** have been made, follow the procedure below.

1. For both the source to be withdrawn and the source that will have a new target for activation, clear the IENj bits in IERm to 0.
2. Check the state of transfer by the DMAC. If transfer is in progress, wait for its completion.
3. Make the settings described under (1) **DMAC Activation**.

When a source is to be changed to an interrupt request or the DTC transfer information is to be changed while a transfer is not complete (i.e. while the DTCERn.DTCE bit has not been cleared) after the settings described under (2) **DTC Activation** have been made, follow the procedure below.

1. For both the source to be withdrawn and the source that will have a new target for activation, clear the IENj bits in IERm to 0.
2. Check the state of transfer by the DTC. If transfer is in progress, wait for its completion.
3. Make the settings described under (2) **DTC Activation**.

14.4.4 Determining Priority

Interrupt priority is determined for each interrupt request destination.

The priority for each interrupt request destination is determined as follows.

(1) Determining Priority when the CPU is the Request Destination of the Interrupt

A source selected for the fast interrupt has the highest priority. After that, an interrupt source with a larger value of the interrupt priority level select bits (IPR[3:0]) in IPRn takes priority. If interrupts with the same priority level are generated by multiple sources, the source with the smallest vector number takes precedence.

(2) Determining Priority when the DTC is the Request Destination of the Interrupt

The IPR[3:0] bits in IPRn have no effect. An interrupt source with a smaller vector number takes precedence.

(3) Determining Priority when the DMAC is the Request Destination of the Interrupt

The IPR[3:0] bits in IPRn have no effect. Regarding the order of priority of DMAC channels, see section 16, DMA Controller (DMACA).

14.4.5 Multiple Interrupts

To enable multiple interrupts of the CPU, set the PSW.I bit to 1 (interrupt enabled) in the handling routine of accepted interrupts.

The PSW.IPL[3:0] bits immediately after processing branches to the interrupt handling routine are set to the same value as the interrupt priority level of the accepted interrupt request. If an interrupt request which has an interrupt level higher than that of the PSW.IPL[3:0] bits is generated at this time, this interrupt request (for multiple interrupts) is accepted.

If the interrupt priority level of the accepted interrupt request is 15 (fast interrupt or interrupt when IPR[3:0] are set to 1111b), multiple interrupts are not generated.

14.4.6 Fast Interrupt

The fast interrupt is an interrupt for executing a faster interrupt response by the CPU, so only one of the interrupt sources can be assigned.

The interrupt priority level of the fast interrupt is 15 (highest) regardless of the setting of the IPRn.IPR[3:0] bits. In addition, the fast interrupt is accepted with precedence over other interrupt sources with level 15. However, when the value of the PSW.IPL[3:0] bits are 1111b (priority level 15), even the fast interrupt cannot be accepted.

To assign an interrupt source to the fast interrupt, specify the vector number of the source in the FIR.FVCT[7:0] bits, and set the FIR.FIEN bit to 1 (fast interrupt is enabled).

For details on the fast interrupt, see section 2, CPU, CPU and section 13, Exception Handling.

14.4.7 Digital Filter

The digital filter function is provided for the external interrupt request IRQ_i pins ($i = 0$ to 7) and NMI pin interrupt. The digital filter samples input signals at the filter sampling clock (PCLK) and removes the pulses of which length is less than three sampling cycles.

To use the digital filter for the IRQ_i pin, set the sampling clock cycle (PCLK, PCLK/8, PCLK/32, or PCLK/64) with the IRQFLTC0.FCLKSELi[1:0] bits ($i = 0$ to 7) and set the IRQFLTE0.FLTEN_i bit to 1 (digital filter enabled).

To use the digital filter for the NMI pin, set the sampling clock cycle (PCLK, PCLK/8, PCLK/32, or PCLK/64) with the NMIFLTC.NFCLKSEL[1:0] bits and set the NMIFLTE.NFLTEN bit to 1 (digital filter enabled).

Figure 14.8 shows an example of digital filter operation.

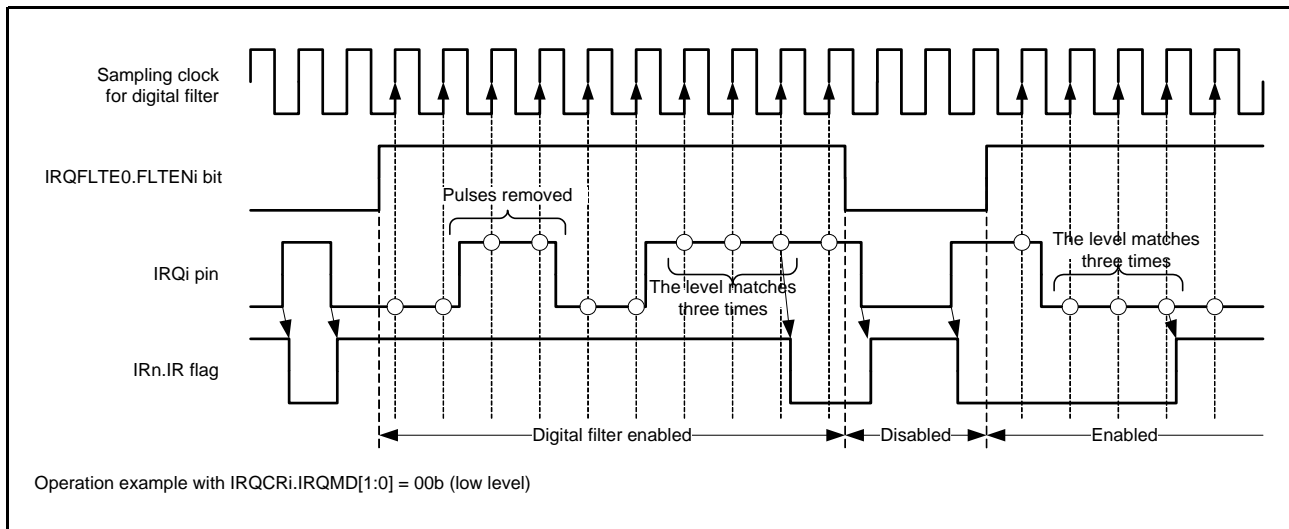


Figure 14.8 Digital Filter Operation Example

Before software standby mode is entered, set the IRQFLTE0.FLTEN_i and NMIFLTE.NFLTEN bits to 0 (digital filter disabled). To use the digital filter again after return from software standby mode, set the IRQFLTE0.FLTEN_i or NMIFLTE.NFLTEN bit to 1 (digital filter enabled).

14.4.8 External Pin Interrupts

The procedure for using the signal on an external pin as an interrupt is as follows.

1. Clear the IERm.IEN_j bit to 0 (interrupt request disabled).
2. Clear the IRQFLTE0.FLTEN_i bit ($i = 0$ to 7) to 0 (digital filter disabled).
3. Set the digital filter sampling clock with the IRQFLTC0.FCLKSELi[1:0] bits.
4. Make or confirm the I/O port settings.
5. Set the method of detection for the interrupt in the IRQCRi.IRQMD[1:0] bits.
6. Clear the corresponding IR_n.IR flag to 0 (if edge detection is in use).
7. Set the IRQFLTE0.FLTEN_i bit to 1 (digital filter enabled).
8. If the interrupt is to be used for DMAC activation, set the DMRSRm.DMRS[7:0] bits. If the interrupt is to be used for DTC activation, set the DTCERn.DTCE bit. The interrupt will be a CPU interrupt if neither of these settings is made.
9. Set the IERm.IEN_j bit to 1 (interrupt request enabled).

14.5 Non-maskable Interrupt Operation

There are six types of non-maskable interrupt: the NMI pin interrupt, oscillation stop detection interrupt, WDT underflow/refresh error, IWDT underflow/refresh error, voltage monitoring 1 interrupt, and voltage monitoring 2 interrupt. Non-maskable interrupts are only usable as interrupts for the CPU; that is, they are not capable of DTC or DMAC activation. Non-maskable interrupts take precedence over all interrupts, including the fast interrupt. Non-maskable interrupt requests are accepted regardless of the states of the I (interrupt enable) bit and IPL[3:0] (processor interrupt priority level) bits in the PSW of the CPU. The current states of the non-maskable interrupts can be checked in the non-maskable interrupt status register (NMISR).

Confirm that all bits in the NMISR have returned to 0 from within the handler for the non-maskable interrupt.

Non-maskable interrupts are disabled by default. If a system is to use non-maskable interrupts, the following procedure must be followed at the beginning of program processing.

Non-maskable interrupt usage procedure:

1. Set the stack pointer (SP).
2. To use the NMI pin, clear the NMIFLTE.NFLTEN bit to 0 (digital filter disabled).
3. To use the NMI pin, set the digital filter sampling clock with the NMIFLTC.NFCLKSEL[1:0] bits.
4. To use the NMI pin, set the NMI pin detection sense with the NMICR.NMIMD bit.
5. To use the NMI pin, write 1 to the NMICLR.NMICLR bit to clear the NMISR.NMIST flag to 0.
6. To use the NMI pin, set the NMIFLTE.NFLTEN bit to 1 (digital filter enabled).
7. Enable the non-maskable interrupt by writing 1 to the corresponding bit in the non-maskable interrupt enable register (NMIER).

After 1 is written to the NMIER register, subsequent write access to the NMIEN bit in NMIER is ignored. The NMI interrupt cannot be disabled. It can be disabled only by a reset.

For the flow of non-maskable interrupt processing, see [section 13, Exception Handling](#).

Writing 1 to the NMICLR.NMICLR bit clears the NMI status flag (NMISR.NMIST) to 0.

Writing 1 to the NMICLR.OSTCLR bit clears the oscillation stop detection interrupt status flag (NMISR.OSTST) to 0.

Writing 1 to the NMICLR.WDTCLR bit clears the WDT underflow/refresh error status flag (NMISR.WDTST) to 0.

Writing 1 to the NMICLR.IWDTCLR bit clears the IWDT underflow/refresh error status flag (NMISR.IWDTST) to 0.

Writing 1 to the NMICLR.LVD1CLR bit clears the voltage monitoring 1 interrupt status flag (NMISR.LVD1ST) to 0.

Writing 1 to the NMICLR.LVD2CLR bit clears the voltage monitoring 2 interrupt status flag (NMISR.LVD2ST) to 0.

14.6 Return from Power-Down States

The interrupt sources that can be used to return operation from sleep mode, all-module clock stop mode, or software standby mode are listed in Table 14.3, Interrupt Vector Table.

For details, refer to section 11, Low Power Consumption. The following describes how to use an interrupt to return operation from each power-down mode.

14.6.1 Return from Sleep Mode

If the interrupt controller is to return operation from sleep mode in response to an interrupt or non-maskable interrupt, make the following settings for the interrupt.

- Interrupts
 1. Select the CPU as the interrupt request destination.
 2. Use the IEN_j bit in IER_m to enable the given interrupt request.
 3. Set a priority level higher than that set by the IPL[3:0] bits in the PSW of CPU.
- Non-maskable interrupts

Use the NMIER register to enable the given interrupt request.

14.6.2 Return from All-Module Clock Stop Mode

If the interrupt controller is to return operation from all-module clock stop mode in response to an interrupt or non-maskable interrupt, make the following settings for the interrupt.

- Interrupts
 1. Select the interrupt source that enables the return from the all-module clock stop mode.
 2. Select the CPU as the interrupt request destination.
 3. Use the IEN_j bit in IER_m to enable the given interrupt request.
 4. Set a priority level higher than that set by the IPL[3:0] bits in the PSW of CPU.
- Non-maskable interrupts

Use the NMIER register to enable the given interrupt request.

14.6.3 Return from Software Standby Mode

The interrupt controller can return operation from a non-maskable interrupt or an interrupt that enables the return from the software standby mode.

The conditions for the return are listed below.

- Interrupts
 1. Select the interrupt source that enables the return from the software standby mode.
 2. Select the CPU as the interrupt request destination.
 3. Use the IEN_j bit in IER_m to enable the given interrupt request.
 4. Set a priority level higher than that set by the IPL[3:0] bits in the PSW of CPU.
(For the interrupt source specified as a fast interrupt, as well as setting the fast interrupt set register (FIR), the interrupt priority level (IPR_n) should be set above the level set by IPL in the PSW of the CPU.)
- Non-maskable interrupts

Interrupt requests through the IRQ pins that do not satisfy the above conditions are not detected while the clock is stopped in software standby mode.

- Non-maskable interrupts

Use the NMIER register to enable the given interrupt request.

- Procedure to make a transition to/from software standby mode
 1. Before software standby mode is entered, disable the digital filter for the interrupt source as a return target (IRQFLTE0.FLTEN_i = 0, NMIFLTE.NFLTEN = 0).
 2. To use the digital filter again after return from software standby mode, enable the digital filter (IRQFLTE0.FLTEN_i = 1, NMIFLTE.NFLTEN = 1).

14.7 Usage Note

14.7.1 Note on WAIT Instruction Used with Non-Maskable Interrupt

Before executing the WAIT instruction, check to see that all the status flags in NMISR are 0.

15. Buses

15.1 Overview

Table 15.1 lists the bus specifications, Figure 15.1 shows the bus configuration, and Table 15.2 lists the addresses assigned for each bus.

Table 15.1 Bus Specifications

Bus Type		Description
CPU bus	Instruction bus	<ul style="list-style-type: none"> Connected to the CPU (for instructions) Connected to on-chip memory (RAM, ROM) Operates in synchronization with the system clock (ICLK)
	Operand bus	<ul style="list-style-type: none"> Connected to the CPU (for operands) Connected to on-chip memory (RAM, ROM) Operates in synchronization with the system clock (ICLK)
Memory bus	Memory bus 1	<ul style="list-style-type: none"> Connected to RAM
	Memory bus 2	<ul style="list-style-type: none"> Connected to ROM
Internal main bus	Internal main bus 1	<ul style="list-style-type: none"> Connected to the CPU Operates in synchronization with the system clock (ICLK)
	Internal main bus 2	<ul style="list-style-type: none"> Connected to the DMAC, DTC Connected to on-chip memory (RAM, ROM) Operates in synchronization with the system clock (ICLK)
Internal peripheral bus	Internal peripheral bus 1	<ul style="list-style-type: none"> Connected to peripheral modules (DTC, DMAC, interrupt controller, and bus error monitoring section) Operates in synchronization with the system clock (ICLK)
	Internal peripheral bus 2	<ul style="list-style-type: none"> Connected to peripheral modules (modules other than those connected to internal peripheral bus 1) Operates in synchronization with the peripheral-module clock (PCLKB and PCLKD*1)
	Internal peripheral bus 6	<ul style="list-style-type: none"> Connected to ROM (P/E) and E2 DataFlash memory Operates in synchronization with the FlashIF clock (FCLK)
External bus	CS area	<ul style="list-style-type: none"> Connected to the external devices Operates in synchronization with the external-bus clock (BCLK)

Note 1. The peripheral module clock used as the operating clock is PCLKD for S12AD.

P/E: Programming/Erase

BCLK (external-bus clock): 25 MHz (max.) The CSC (CS area controller) operate in synchronization with the BCLK.

BCLK pin output: The frequency is the same as the BCLK. 1/2 BCLK can be supplied by setting the BCLK pin output select bit (BCKCR.BCLKDIV) in the external bus clock control register. For details, see section 9, Clock Generation Circuit.

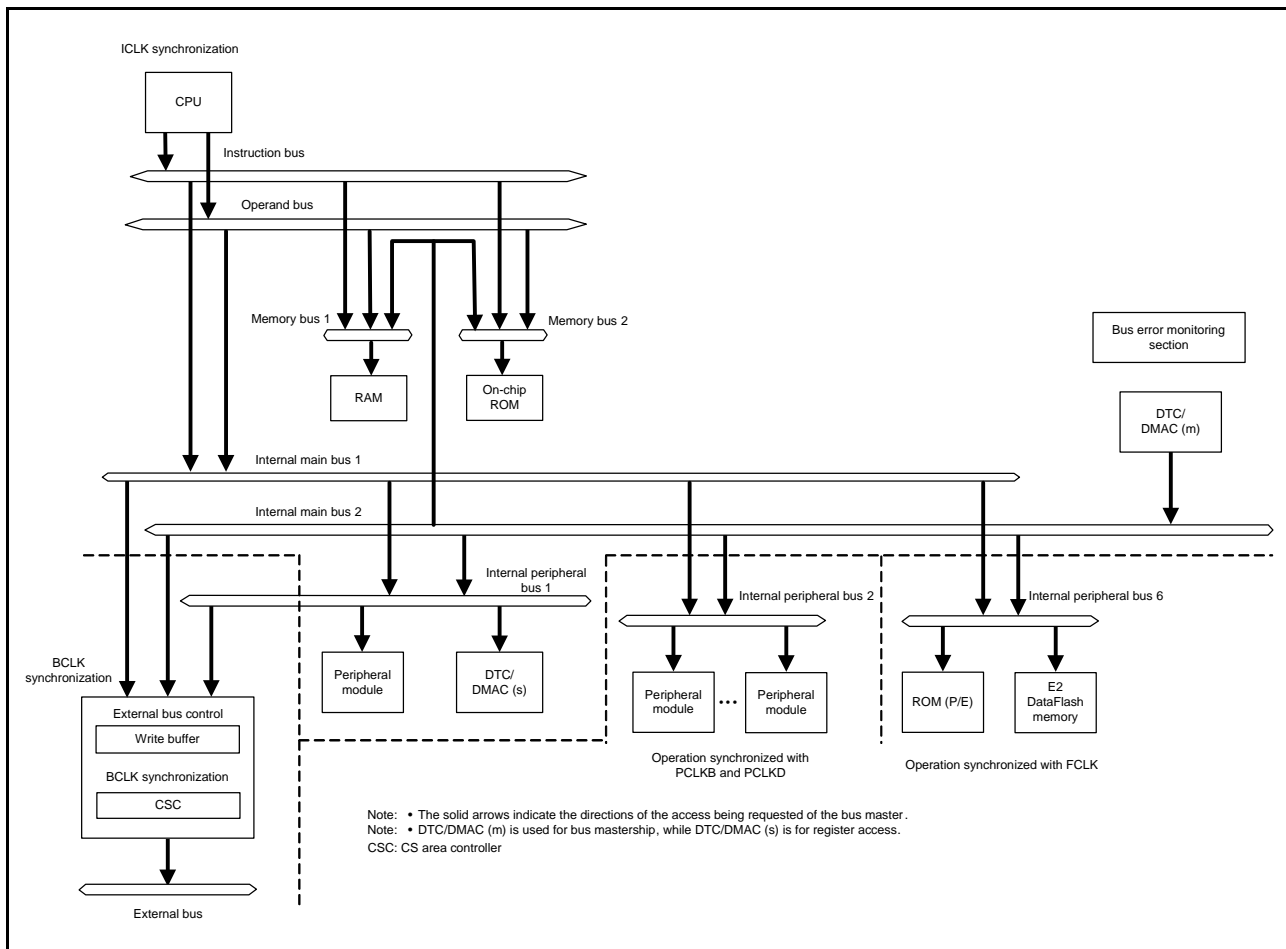


Figure 15.1 Bus Configuration

Table 15.2 Addresses Assigned for Each Bus

Address	Bus		Area	
	On-chip ROM enabled	On-chip ROM disabled	On-chip ROM enabled	On-chip ROM disabled
0000 0000h to 0000 FFFFh	Memory bus 1		RAM	
0001 0000h to 0007 FFFFh			Reserved area	
0008 0000h to 0008 7FFFh	Internal peripheral bus 1		Peripheral I/O registers	
0008 8000h to 0009 FFFFh	Internal peripheral bus 2			
0010 0000h to 00FF FFFFh	Internal peripheral bus 6	Reserved area	E2 DataFlash memory, FCU-RAM, and ROM (for programming/ erasure)	Reserved area
0500 0000h to 07FF FFFFh	External bus		External address space (CS1 to CS3)	
0800 0000h to 0FFF FFFFh			Reserved area	
1000 0000h to 7FFF FFFFh	Reserved area		Reserved area	
8000 0000h to FEFF FFFFh	Memory bus 2	Reserved area	ROM (for reading only)	Reserved area
FF00 0000h to FFFF FFFFh		External bus		External address space (CS0)

15.2 Description of Buses

15.2.1 CPU Buses

The CPU buses consist of the instruction and operand buses, which are connected to internal main bus 1. As the names suggest, the instruction bus is used to fetch instructions for the CPU, while the operand bus is used for operand access. Connection of the instruction and operand buses to RAM and ROM provides the CPU with direct access to these areas, i.e. access is not via internal main bus 1. However, only reading is possible in direct access to ROM by the CPU; programming and erasure are handled via an internal peripheral bus.

Bus requests for instruction fetching and operand access are arbitrated through internal main bus 1. The order of priority is operand access then instruction fetching.

If instruction fetching and operand access are requested for different buses (memory bus 1, memory bus 2, and internal main bus 1), the bus-access operations can proceed simultaneously. For example, parallel access to ROM and RAM or to ROM and external space is possible.

15.2.2 Memory Buses

The memory buses consist of memory bus 1 and memory bus 2. RAM is connected to memory bus 1 and ROM is connected to memory bus 2. Requests for bus mastership from the CPU buses (instruction fetching and operand) and internal main bus 2 are arbitrated through memory buses 1 and 2.

The priority order of CPU bus and internal main bus 2 can be set using the memory bus 1 (RAM) priority control bits (BPRA[1:0]) and memory bus 2 (ROM) priority control bits (BPRO[1:0]) in the bus priority control register (BUSPRI) for the corresponding memory buses. When the priority order is fixed, internal main bus 2 has priority over the CPU bus (operand over instruction fetching). When the priority order is toggled, a bus has a lower priority when the request of that bus is accepted.

15.2.3 Internal Main Buses

The internal main buses consist of a bus for use by the CPU (internal main bus 1) and a bus for use by the other bus-master modules, i.e. the DTC, DMAC (internal main bus 2).

Bus requests for instruction fetching and operand access are arbitrated through internal main bus 1. The order of priority is operand access then instruction fetching.

Requests for bus mastership from the DTC, DMAC are arbitrated by internal main bus 2. The order of priority is DMAC, and then DTC as listed in Table 15.3.

Between the DTC and DMAC, only the one that accepted the activation request issues the bus mastership request. The priority order of activation requests between the DTC and DMAC is DMAC0, DMAC1, DMAC2, DMAC3, and then DTC, regardless of the BUSPRI setting.

If the CPU and another bus master are requesting access to different buses (on-chip memory, internal peripheral buses 1, 2, and 6, and external bus), the respective bus-access operations can proceed simultaneously.

However, when the CPU executes the XCHG instruction, requests for bus access from masters other than the CPU are not accepted until data transfer for the XCHG instruction is completed regardless of the bus priority control register (BUSPRI) setting. Furthermore, requests for bus access from masters other than the DTC are not accepted during reading and writing-back of transfer control information for the DTC.

Table 15.3 Order of Priority for Bus Masters

Priority	Bus Master
High	DMAC
↑	DTC
Low	CPU

15.2.4 Internal Peripheral Buses

Connection of peripheral modules to the internal peripheral buses is as described in Table 15.4.

Table 15.4 Connection of Peripheral Modules to the Internal Peripheral Buses

Type of Bus	Peripheral Modules
Internal peripheral bus 1	DTC, DMAC, interrupt controller, and bus error monitoring section
Internal peripheral bus 2	Peripheral modules other than those connected to internal peripheral bus 1
Internal peripheral bus 6	ROM (P/E)/E2 DataFlash memory, and FCU-RAM

Requests for bus mastership from the CPU (internal main bus 1) and other bus masters (internal main bus 2) are arbitrated through internal peripheral buses 1, 2, and 6.

The priority order of two internal main buses can be set using the bus priority control register (BUSPRI). The priority order can be set with the internal peripheral bus 1 priority control bits (BUSPRI.BPIB[1:0]), internal peripheral bus 2 and 3 priority control bits (BUSPRI.BPGB[1:0]), and internal peripheral bus 6 priority control bits (BUSPRI.BPFB[1:0]) for the corresponding internal peripheral buses. When the priority order is fixed, internal main bus 2 has priority over internal main bus 1. When the priority order is toggled, a bus has a lower priority when the request of that bus is accepted.

The order of accepting requests may change depending on the BUSPRI setting (Refer to Figure 15.2).

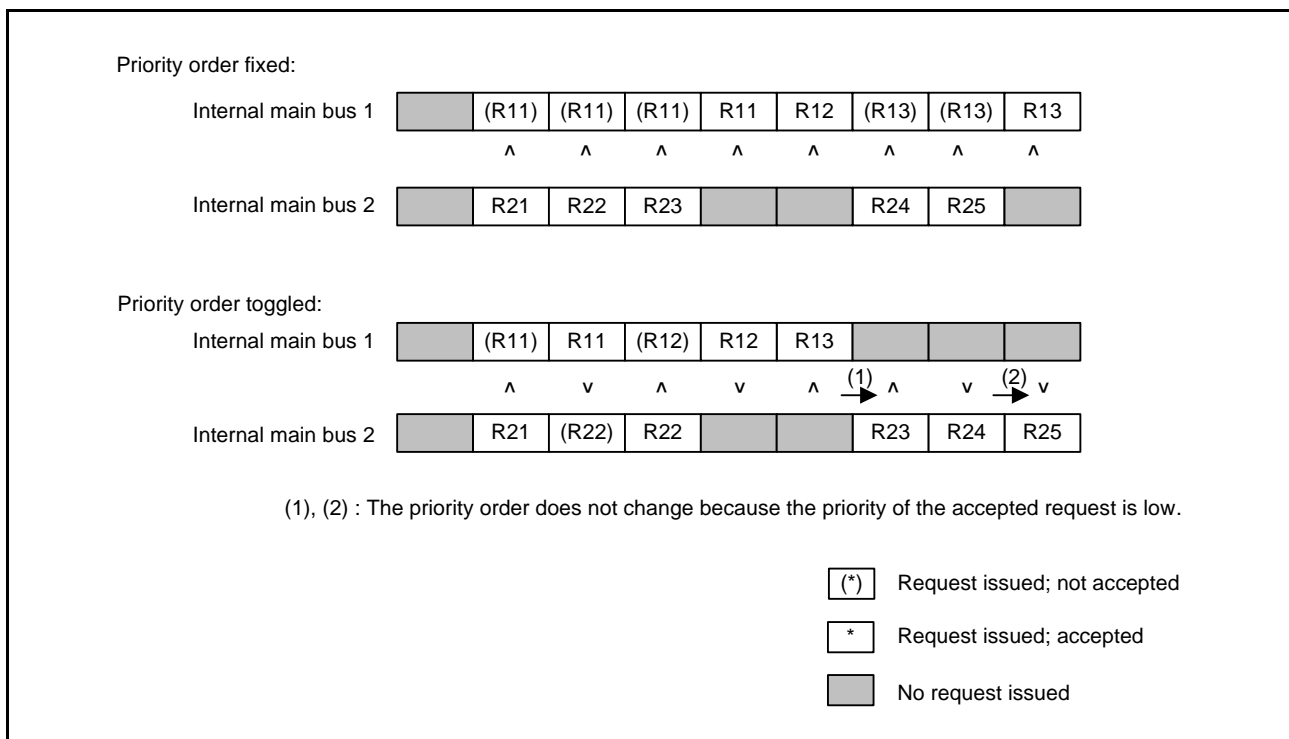


Figure 15.2 Priority Order Between Internal Peripheral Bus Accesses

15.2.5 Write Buffer Function (Internal Peripheral Bus)

The internal peripheral bus has the write buffer function, which allows the next round of bus access to start, before the current write access is completed, in write access. However, if the following round of bus access is from the same bus master but to the different internal peripheral bus, it is suspended until the bus operations already in progress are completed. When read access to the internal memory is scheduled after the write access to the internal peripheral bus from the CPU, the following round of bus access can be started before the current bus operation is completed and thus the order of accesses may be changed (Refer to Figure 15.3).

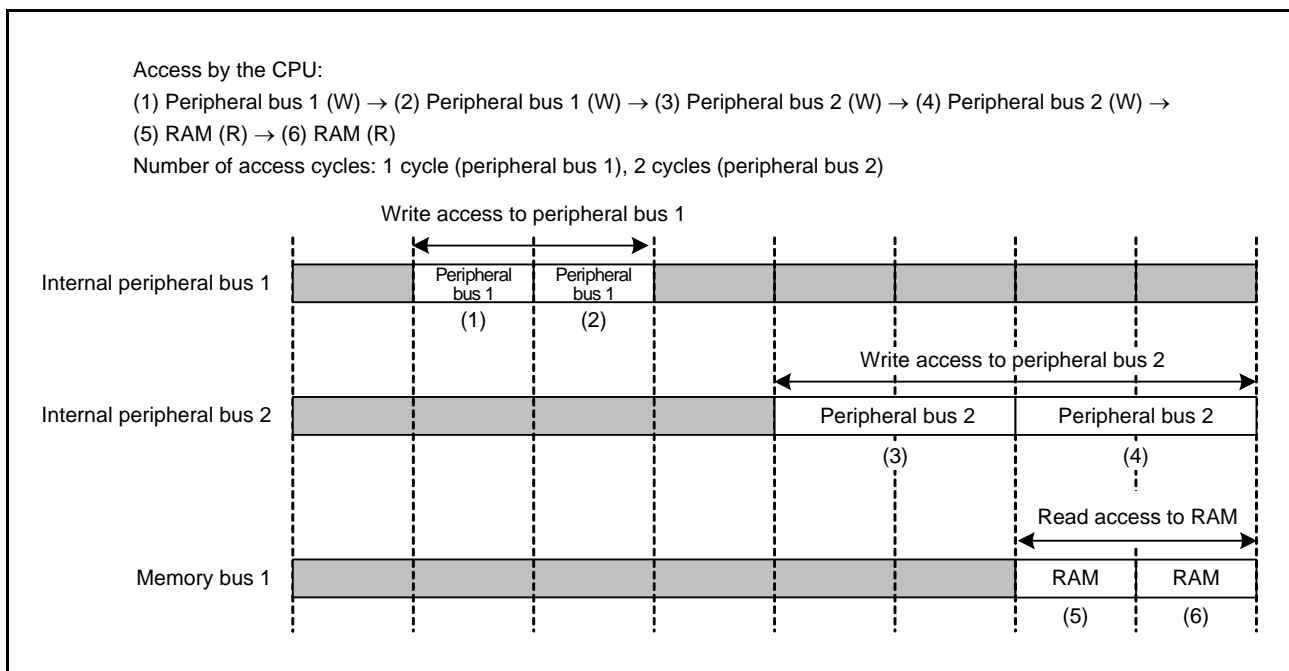


Figure 15.3 Write Buffer Function

15.2.6 External Bus

Table 15.5 lists the specifications of the external bus.

The external bus controller arbitrates requests for bus mastership from internal main bus 1, and internal main bus 2.

The priority order of these two buses can be set using the external bus priority control bits (BPEB[1:0]) in the bus priority control register (BUSPRI). When the priority order is fixed, the order is internal main bus 2, and then internal main bus 1. When the priority order is toggled, a bus has a lower priority when the request of that bus is accepted, between internal main bus 1 and internal main bus 2.

The order of accepting requests may change depending on the BUSPRI setting (Refer to Figure 15.4).

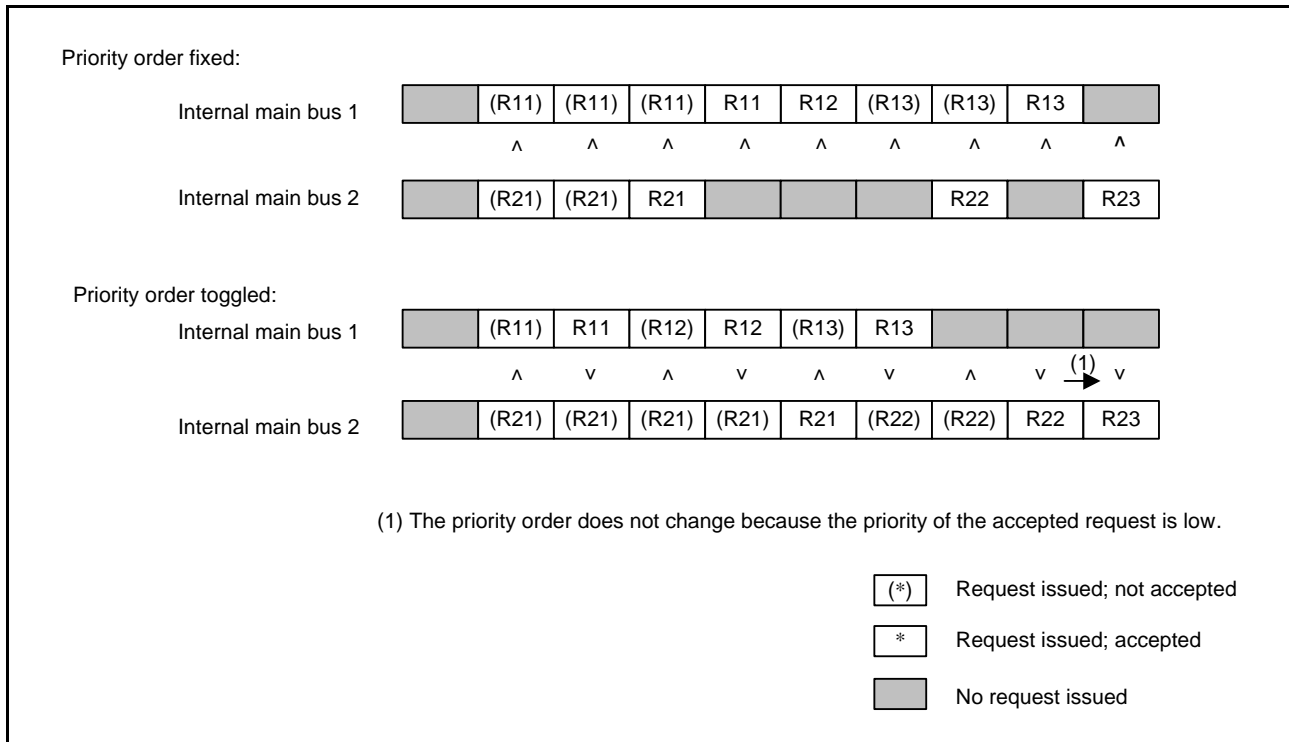


Figure 15.4 Priority Order of Internal Main Bus Accesses

Table 15.5 Specifications of the External Bus

Item	Description
External address space	<ul style="list-style-type: none"> An external address space is divided into four CS areas (CS0 to CS3) for management. Chip select signals can be output for each area. Bus width can be set for each area. Separate bus: An 8 or 16-bit bus space is selectable. Address/data multiplexed bus: An 8 or 16-bit bus space is selectable. An endian mode can be specified for each area.
CS area controller	<ul style="list-style-type: none"> Recovery cycles can be inserted. <ul style="list-style-type: none"> Read recovery: Up to 15 cycles Write recovery: Up to 15 cycles Cycle wait function: Wait for up to 31 cycles (page access: up to 7 cycles) Wait control can be used to set up the following. <ul style="list-style-type: none"> Timing of assertion and negation for chip-select signals (CS0# to CS3#) The timing of assertion of the read signal (RD#) and write signals (WR#, WR0#, WR1#) The timing with which data output starts and ends Write access mode: Single write strobe mode/byte strobe mode Separate bus or address/data multiplexed bus can be set for each area.
Write buffer function	When write data from the bus master has been written to the write buffer, write access by the bus master is completed.
Frequency	<ul style="list-style-type: none"> The CS area controller (CSC) operates in synchronization with the external-bus clock (BCLK).

Table 15.6 lists the input/output pins of the external bus.

Table 15.6 Pin Configuration of the External Bus

Pin Name	I/O	Description
A23 to A0*1	Output	Address output pins
D15 to D0	I/O	Data input/output pins D15 to D0 pins are enabled when the 16-bit bus space is specified. D7 to D0 pins are enabled when the 8-bit bus space is specified.
BC0#*1	Output	A strobe signal; (the BC0# signal being at the low level) during access to an external address space in single write strobe mode indicates that D7 to D0 are valid. When an 8-bit bus space is specified, this output pin is always held low regardless of write access mode.
BC1#	Output	A strobe signal; (the BC1# signal being at the low level) during access to an external address space in single write strobe mode indicates that D15 to D8 are valid. This pin is not used when the 8-bit bus space is specified.
CS0#	Output	A chip select signal for area 0 (CS0)
CS1#	Output	A chip select signal for area 1 (CS1)
CS2#	Output	A chip select signal for area 2 (CS2)
CS3#	Output	A chip select signal for area 3 (CS3)
RD#	Output	A strobe signal indicating that reading from an external address space (CS0 to CS3) is in progress
WR0#/WR#*2	Output	WR0# signal is a strobe signal indicates that (the WR0# signal being at the low level) writing to an external address space is in progress in byte strobe mode, and D7 to D0 are valid. WR# signal is a strobe signal that indicates writing to an external address space is in progress in single write strobe mode. When an 8-bit bus space is specified, this output pin is held low during a write access regardless of write access mode.
WR1#	Output	A strobe signal; (the WR1# signal being at the low level) during writing to an external address space in byte strobe mode indicates that D15 to D8 are valid. The BC1# signal is output in single write strobe mode. This pin is not used when the 8-bit bus space is specified.
ALE	Output	Address latch signal when address/data multiplexed bus is selected.
WAIT#	Input	A wait request signal when accessing the external address space (CS0 to CS3) (Low: Wait request)

Note 1. The A0 and BC0# pin functions share the same pin, and either becomes effective according to the area, with the function being A0 in byte strobe mode and BC0# in single write strobe mode. Note that setting the 8-bit external bus width is prohibited in single write strobe mode. For information on other multiplexed pin functions, see section 20, Multi-Function Pin Controller (MPC).

Note 2. The WR0# signal and WR# signal are identical. The WR0# signal is particularly referred to as WR# in single write strobe mode.

15.2.7 Parallel Operation

Parallel operation is possible when different bus-master modules are requesting access to different slave modules. For example, if the CPU is fetching an instruction from ROM and an operand from RAM, the DMAC is able to handle transfer between a peripheral bus and the external bus at the same time.

An example of parallel operations is shown in Figure 15.5. In this example, the CPU is able to employ the instruction and operand buses for simultaneous access to ROM and RAM, respectively. Furthermore, the DMAC simultaneously employs internal main bus 2 for access to a peripheral bus or the external bus during access to RAM and ROM by the CPU.

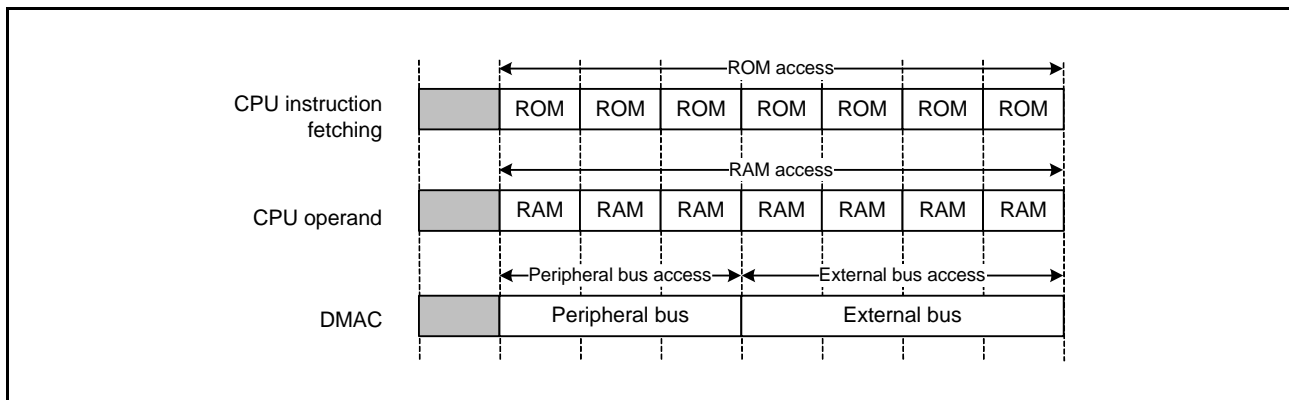


Figure 15.5 Example of Parallel Operations

15.2.8 Bus Settings

- Set the mode of the external bus in the CSn mode register (CSnMOD), CSn wait-control register 1 (CSnWCR1), CSn wait-control register 2 (CSnWCR2), CSn control register (CSnCR), CSn recovery-cycle setting register (CSnREC), CS recovery cycle insertion enable register (CSRECE), bus error monitoring-enable register (BEREN), and bus-priority control register (BUSPRI).
- Make settings for pins in the CS output enable register (PFCSE), address output enable register 0 (PFAOE0), address output enable register 1 (PFAOE1), external-bus control register 0 (PFBCR0), and external-bus control register 1 (PFBCR1).
- Set up pins to be used as input port pins.
- Set the external-bus enable bit (EXBE) in the system control register 0 (SYSCR0) to 1 (enabling the external bus).

15.2.9 Restrictions

(1) Prohibition of Access that Spans Areas of Address Space

Single access that spans two areas of the address space is prohibited, and operation of such an access is not guaranteed. Setting must be made so that two areas are not accessed at the same time by a single word or longword access.

(2) Restrictions in relation to RMPA and string-manipulation instructions

- (a) Although the external space has a per-area ending-switching facility (only for data), the allocation of data to be handled by RMPA or string-manipulation instructions to an area where the endian differs from that of the chip is prohibited, and operation is not guaranteed if this restriction is not observed. If data to be handled by RMPA or string-manipulation instructions are allocated to the external space, they must be allocated to areas where the endian setting is the same as that for the chip.
- (b) The allocation of data to be handled by RMPA or string-manipulation instructions to I/O registers is prohibited, and operation is not guaranteed if this restriction is not observed.

(3) Restriction on Endian

When the endian setting for each area is different from that for the chip, no instruction code can be allocated in the area. The instruction code should be allocated to the external space whose endian setting is the same as that for the chip.

15.3 Register Descriptions

15.3.1 CSn Control Register (CSnCR) (n = 0 to 3)

Address(es): CS0CR 0008 3802h

b15	b14	b13	b12	b11	b10	b9	b8	b7	b6	b5	b4	b3	b2	b1	b0
—	—	—	MPXEN	—	—	—	EMOD E	—	—	BSIZE[1:0]		—	—	—	EXENB
Value after reset:															
0	0	0	0	0	0	0	0	0	0	1	0	0	0	0	1

Address(es): CS1CR 0008 3812h, CS2CR 0008 3822h, CS3CR 0008 3832h

b15	b14	b13	b12	b11	b10	b9	b8	b7	b6	b5	b4	b3	b2	b1	b0
—	—	—	MPXEN	—	—	—	EMOD E	—	—	BSIZE[1:0]		—	—	—	EXENB
Value after reset:															
0	0	0	0	0	0	0	0	0	0	0	0	0	0	0	0

Bit	Symbol	Bit Name	Description	R/W
b0	EXENB	Operation Enable	0: Operation is disabled 1: Operation is enabled	R/W
b3 to b1	—	Reserved	These bits are read as 0. The write value should be 0.	R/W
b5, b4	BSIZE[1:0]	External Bus Width Select	b5 b4 0 0: A 16-bit bus space is selected 0 1: Setting prohibited 1 0: An 8-bit bus space is selected 1 1: Setting prohibited	R/W
b7, b6	—	Reserved	These bits are read as 0. The write value should be 0.	R/W
b8	EMODE	Endian Mode	0: Endian of area n is the same as the endian of operating mode. 1: Endian of area n is not the endian of operating mode. (n = 0 to 3)	R/W
b11 to b9	—	Reserved	These bits are read as 0. The write value should be 0.	R/W
b12	MPXEN	Address/Data Multiplexed I/O Interface Select	0: Separate bus interface is selected for area n. 1: Address/data multiplexed I/O interface is selected for area n. (n = 0 to 3)	R/W
b15 to b13	—	Reserved	These bits are read as 0. The write value should be 0.	R/W

Do not write to the CSnCR register while access to the CSn area is in progress.

EXENB Bit (Operation Enable)

This bit enables or disables operation of the respective areas.

After this LSI is reset, operation is enabled (EXENB = 1) only for area 0; operation in other areas is disabled (EXENB = 0).

An attempt at access to an area for which operation has been disabled does not lead to access via the external bus.

However, if the illegal address access detection enable bit in the bus error monitoring enable register has been set to enable detection (BEREN.IGAEN = 1), such an attempt will lead to an illegal-access error.

BSIZE[1:0] Bits (External Bus Width Select)

These bits specify the data bus width of each area.

The data bus width of area 0 (CS0) after a reset depends on the setting of the bus width in operating mode.

When the address/data multiplexed I/O interface is selected with the MPXEN bit, the BSIZE[1:0] bits should not be set to the 32-bit bus space. If set, the operation cannot be guaranteed.

EMODE Bit (Endian Mode)

This bit specifies the endian of each area.

When the endian setting for each area is different from that for the chip, no instruction code can be allocated in the area.

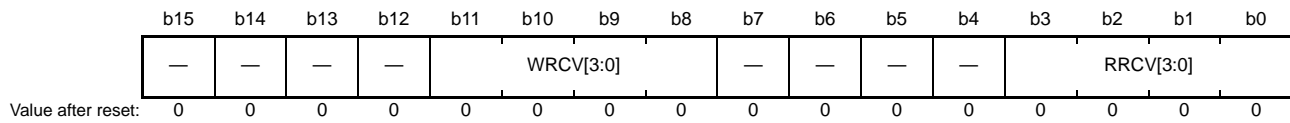
The instruction code should be allocated to the external space whose endian setting is the same as that for the chip.

MPXEN Bit (Address/Data Multiplexed I/O Interface Select)

This bit specifies the bus interface for each area.

15.3.2 CSn Recovery Cycle Register (CSnREC) (n = 0 to 3)

Address(es): CS0REC 0008 380Ah, CS1REC 0008 381Ah, CS2REC 0008 382Ah, CS3REC 0008 383Ah



Bit	Symbol	Bit Name	Description	R/W																																																																				
b3 to b0	RRCV[3:0]	Read Recovery	<table style="width: 100%; border: none;"> <tr> <td style="width: 10%;"></td><td style="width: 10%; text-align: center;">b3</td><td style="width: 10%; text-align: center;">b0</td><td></td></tr> <tr> <td>0 0 0 0:</td><td></td><td></td><td>No recovery cycle is inserted.</td></tr> <tr> <td>0 0 0 1:</td><td></td><td></td><td>1 recovery cycle is inserted.</td></tr> <tr> <td>0 0 1 0:</td><td></td><td></td><td>2 recovery cycles are inserted.</td></tr> <tr> <td>0 0 1 1:</td><td></td><td></td><td>3 recovery cycles are inserted.</td></tr> <tr> <td>0 1 0 0:</td><td></td><td></td><td>4 recovery cycles are inserted.</td></tr> <tr> <td>0 1 0 1:</td><td></td><td></td><td>5 recovery cycles are inserted.</td></tr> <tr> <td>0 1 1 0:</td><td></td><td></td><td>6 recovery cycles are inserted.</td></tr> <tr> <td>0 1 1 1:</td><td></td><td></td><td>7 recovery cycles are inserted.</td></tr> <tr> <td>1 0 0 0:</td><td></td><td></td><td>8 recovery cycles are inserted.</td></tr> <tr> <td>1 0 0 1:</td><td></td><td></td><td>9 recovery cycles are inserted.</td></tr> <tr> <td>1 0 1 0:</td><td></td><td></td><td>10 recovery cycles are inserted.</td></tr> <tr> <td>1 0 1 1:</td><td></td><td></td><td>11 recovery cycles are inserted.</td></tr> <tr> <td>1 1 0 0:</td><td></td><td></td><td>12 recovery cycles are inserted.</td></tr> <tr> <td>1 1 0 1:</td><td></td><td></td><td>13 recovery cycles are inserted.</td></tr> <tr> <td>1 1 1 0:</td><td></td><td></td><td>14 recovery cycles are inserted.</td></tr> <tr> <td>1 1 1 1:</td><td></td><td></td><td>15 recovery cycles are inserted.</td></tr> </table>		b3	b0		0 0 0 0:			No recovery cycle is inserted.	0 0 0 1:			1 recovery cycle is inserted.	0 0 1 0:			2 recovery cycles are inserted.	0 0 1 1:			3 recovery cycles are inserted.	0 1 0 0:			4 recovery cycles are inserted.	0 1 0 1:			5 recovery cycles are inserted.	0 1 1 0:			6 recovery cycles are inserted.	0 1 1 1:			7 recovery cycles are inserted.	1 0 0 0:			8 recovery cycles are inserted.	1 0 0 1:			9 recovery cycles are inserted.	1 0 1 0:			10 recovery cycles are inserted.	1 0 1 1:			11 recovery cycles are inserted.	1 1 0 0:			12 recovery cycles are inserted.	1 1 0 1:			13 recovery cycles are inserted.	1 1 1 0:			14 recovery cycles are inserted.	1 1 1 1:			15 recovery cycles are inserted.	R/W
	b3	b0																																																																						
0 0 0 0:			No recovery cycle is inserted.																																																																					
0 0 0 1:			1 recovery cycle is inserted.																																																																					
0 0 1 0:			2 recovery cycles are inserted.																																																																					
0 0 1 1:			3 recovery cycles are inserted.																																																																					
0 1 0 0:			4 recovery cycles are inserted.																																																																					
0 1 0 1:			5 recovery cycles are inserted.																																																																					
0 1 1 0:			6 recovery cycles are inserted.																																																																					
0 1 1 1:			7 recovery cycles are inserted.																																																																					
1 0 0 0:			8 recovery cycles are inserted.																																																																					
1 0 0 1:			9 recovery cycles are inserted.																																																																					
1 0 1 0:			10 recovery cycles are inserted.																																																																					
1 0 1 1:			11 recovery cycles are inserted.																																																																					
1 1 0 0:			12 recovery cycles are inserted.																																																																					
1 1 0 1:			13 recovery cycles are inserted.																																																																					
1 1 1 0:			14 recovery cycles are inserted.																																																																					
1 1 1 1:			15 recovery cycles are inserted.																																																																					
b7 to b4	—	Reserved	These bits are read as 0. The write value should be 0.	R/W																																																																				
b11 to b8	WRCV[3:0]	Write Recovery	<table style="width: 100%; border: none;"> <tr> <td style="width: 10%;"></td><td style="width: 10%; text-align: center;">b11</td><td style="width: 10%; text-align: center;">b8</td><td></td></tr> <tr> <td>0 0 0 0:</td><td></td><td></td><td>No recovery cycle is inserted.</td></tr> <tr> <td>0 0 0 1:</td><td></td><td></td><td>1 recovery cycle is inserted.</td></tr> <tr> <td>0 0 1 0:</td><td></td><td></td><td>2 recovery cycles are inserted.</td></tr> <tr> <td>0 0 1 1:</td><td></td><td></td><td>3 recovery cycles are inserted.</td></tr> <tr> <td>0 1 0 0:</td><td></td><td></td><td>4 recovery cycles are inserted.</td></tr> <tr> <td>0 1 0 1:</td><td></td><td></td><td>5 recovery cycles are inserted.</td></tr> <tr> <td>0 1 1 0:</td><td></td><td></td><td>6 recovery cycles are inserted.</td></tr> <tr> <td>0 1 1 1:</td><td></td><td></td><td>7 recovery cycles are inserted.</td></tr> <tr> <td>1 0 0 0:</td><td></td><td></td><td>8 recovery cycles are inserted.</td></tr> <tr> <td>1 0 0 1:</td><td></td><td></td><td>9 recovery cycles are inserted.</td></tr> <tr> <td>1 0 1 0:</td><td></td><td></td><td>10 recovery cycles are inserted.</td></tr> <tr> <td>1 0 1 1:</td><td></td><td></td><td>11 recovery cycles are inserted.</td></tr> <tr> <td>1 1 0 0:</td><td></td><td></td><td>12 recovery cycles are inserted.</td></tr> <tr> <td>1 1 0 1:</td><td></td><td></td><td>13 recovery cycles are inserted.</td></tr> <tr> <td>1 1 1 0:</td><td></td><td></td><td>14 recovery cycles are inserted.</td></tr> <tr> <td>1 1 1 1:</td><td></td><td></td><td>15 recovery cycles are inserted.</td></tr> </table>		b11	b8		0 0 0 0:			No recovery cycle is inserted.	0 0 0 1:			1 recovery cycle is inserted.	0 0 1 0:			2 recovery cycles are inserted.	0 0 1 1:			3 recovery cycles are inserted.	0 1 0 0:			4 recovery cycles are inserted.	0 1 0 1:			5 recovery cycles are inserted.	0 1 1 0:			6 recovery cycles are inserted.	0 1 1 1:			7 recovery cycles are inserted.	1 0 0 0:			8 recovery cycles are inserted.	1 0 0 1:			9 recovery cycles are inserted.	1 0 1 0:			10 recovery cycles are inserted.	1 0 1 1:			11 recovery cycles are inserted.	1 1 0 0:			12 recovery cycles are inserted.	1 1 0 1:			13 recovery cycles are inserted.	1 1 1 0:			14 recovery cycles are inserted.	1 1 1 1:			15 recovery cycles are inserted.	R/W
	b11	b8																																																																						
0 0 0 0:			No recovery cycle is inserted.																																																																					
0 0 0 1:			1 recovery cycle is inserted.																																																																					
0 0 1 0:			2 recovery cycles are inserted.																																																																					
0 0 1 1:			3 recovery cycles are inserted.																																																																					
0 1 0 0:			4 recovery cycles are inserted.																																																																					
0 1 0 1:			5 recovery cycles are inserted.																																																																					
0 1 1 0:			6 recovery cycles are inserted.																																																																					
0 1 1 1:			7 recovery cycles are inserted.																																																																					
1 0 0 0:			8 recovery cycles are inserted.																																																																					
1 0 0 1:			9 recovery cycles are inserted.																																																																					
1 0 1 0:			10 recovery cycles are inserted.																																																																					
1 0 1 1:			11 recovery cycles are inserted.																																																																					
1 1 0 0:			12 recovery cycles are inserted.																																																																					
1 1 0 1:			13 recovery cycles are inserted.																																																																					
1 1 1 0:			14 recovery cycles are inserted.																																																																					
1 1 1 1:			15 recovery cycles are inserted.																																																																					
b15 to b12	—	Reserved	These bits are read as 0. The write value should be 0.	R/W																																																																				

Do not write to the CSnREC register while access to the CSn area is in progress.

When the preceding bus access is a separate bus access, CSnREC is valid when the recovery cycle insertion is enabled with the separate bus recovery cycle insertion enable bit (RCVENj (j = 0 to 7)) in CSRECEN. When the preceding bus access is an address/data multiplexed bus access, CSnREC is valid when the recovery cycle insertion is enabled with the multiplexed bus recovery cycle insertion enable bit (RCVENMj) in CSRECEN.

RRCV[3:0] Bits (Read Recovery)

These bits specify the number of recovery cycles to be inserted after a read access to the external bus.

When the recovery cycle insertion is enabled and a value except 0000b is written to these bits, one to 15 recovery cycles are inserted in the following cases.

- After a read access to the external bus, a read access is made to the external bus in the same area.
- After a read access to the external bus, a read access is made to the external bus in a different area.
- After a read access to the external bus, a write access is made to the external bus in the same area.
- After a read access to the external bus, a write access is made to the external bus in a different area.

WRCV[3:0] Bits (Write Recovery)

These bits specify the number of recovery cycles to be inserted after a write access to the external bus.

When the recovery cycle insertion is enabled and a value except 0000b is written to these bits, one to 15 recovery cycles are inserted in the following cases.

- After a write access to the external bus, a read access is made to the external bus in the same area.
- After a write access to the external bus, a read access is made to the external bus in a different area.
- After a write access to the external bus, a write access is made to the external bus in the same area.
- After a write access to the external bus, a write access is made to the external bus in a different area.

15.3.3 CS Recovery Cycle Insertion Enable Register (CSRECEN)

Address(es): 0008 3880h

	b15	b14	b13	b12	b11	b10	b9	b8	b7	b6	b5	b4	b3	b2	b1	b0
	RCVEN M7	RCVEN M6	RCVEN M5	RCVEN M4	RCVEN M3	RCVEN M2	RCVEN M1	RCVEN M0	RCVEN 7	RCVEN 6	RCVEN 5	RCVEN 4	RCVEN 3	RCVEN 2	RCVEN 1	RCVEN 0
Value after reset:	0	0	1	1	1	1	1	0	0	0	1	1	1	1	1	0

Bit	Symbol	Bit Name	Description	R/W
b0	RCVEN0	Separate Bus Recovery Cycle Insertion Enable	0: Recovery cycle insertion is disabled. 1: Recovery cycle insertion is enabled.	R/W
b1	RCVEN1	Separate Bus Recovery Cycle Insertion Enable	0: Recovery cycle insertion is disabled. 1: Recovery cycle insertion is enabled.	R/W
b2	RCVEN2	Separate Bus Recovery Cycle Insertion Enable 2	0: Recovery cycle insertion is disabled. 1: Recovery cycle insertion is enabled.	R/W
b3	RCVEN3	Separate Bus Recovery Cycle Insertion Enable 3	0: Recovery cycle insertion is disabled. 1: Recovery cycle insertion is enabled.	R/W
b4	RCVEN4	Separate Bus Recovery Cycle Insertion Enable 4	0: Recovery cycle insertion is disabled. 1: Recovery cycle insertion is enabled.	R/W
b5	RCVEN5	Separate Bus Recovery Cycle Insertion Enable 5	0: Recovery cycle insertion is disabled. 1: Recovery cycle insertion is enabled.	R/W
b6	RCVEN6	Separate Bus Recovery Cycle Insertion Enable 6	0: Recovery cycle insertion is disabled. 1: Recovery cycle insertion is enabled.	R/W
b7	RCVEN7	Separate Bus Recovery Cycle Insertion Enable 7	0: Recovery cycle insertion is disabled. 1: Recovery cycle insertion is enabled.	R/W
b8	RCVENM0	Multiplexed Bus Recovery Cycle Insertion Enable 0	0: Recovery cycle insertion is disabled. 1: Recovery cycle insertion is enabled.	R/W
b9	RCVENM1	Multiplexed Bus Recovery Cycle Insertion Enable 1	0: Recovery cycle insertion is disabled. 1: Recovery cycle insertion is enabled.	R/W
b10	RCVENM2	Multiplexed Bus Recovery Cycle Insertion Enable 2	0: Recovery cycle insertion is disabled. 1: Recovery cycle insertion is enabled.	R/W
b11	RCVENM3	Multiplexed Bus Recovery Cycle Insertion Enable 3	0: Recovery cycle insertion is disabled. 1: Recovery cycle insertion is enabled.	R/W
b12	RCVENM4	Multiplexed Bus Recovery Cycle Insertion Enable 4	0: Recovery cycle insertion is disabled. 1: Recovery cycle insertion is enabled.	R/W
b13	RCVENM5	Multiplexed Bus Recovery Cycle Insertion Enable 5	0: Recovery cycle insertion is disabled. 1: Recovery cycle insertion is enabled.	R/W
b14	RCVENM6	Multiplexed Bus Recovery Cycle Insertion Enable 6	0: Recovery cycle insertion is disabled. 1: Recovery cycle insertion is enabled.	R/W
b15	RCVENM7	Multiplexed Bus Recovery Cycle Insertion Enable 7	0: Recovery cycle insertion is disabled. 1: Recovery cycle insertion is enabled.	R/W

Do not write to the CSRECEN register while access to the CSn area is in progress.

RCVEN0 Bit (Separate Bus Recovery Cycle Insertion Enable 0)

This bit enables or disables the insertion of read recovery cycles when, after a read access to the external bus, a read access is made to the external bus in the same area.

RCVEN1 Bit (Separate Bus Recovery Cycle Insertion Enable 1)

This bit enables or disables the insertion of read recovery cycles when, after a read access to the external bus, a read access is made to the external bus in a different area.

RCVEN2 Bit (Separate Bus Recovery Cycle Insertion Enable 2)

This bit enables or disables the insertion of read recovery cycles when, after a read access to the external bus, a write access is made to the external bus in the same area.

RCVEN3 Bit (Separate Bus Recovery Cycle Insertion Enable 3)

This bit enables or disables the insertion of read recovery cycles when, after a read access to the external bus, a write access is made to the external bus in a different area.

RCVEN4 Bit (Separate Bus Recovery Cycle Insertion Enable 4)

This bit enables or disables the insertion of write recovery cycles when, after a write access to the external bus, a read access is made to the external bus in the same area.

RCVEN5 Bit (Separate Bus Recovery Cycle Insertion Enable 5)

This bit enables or disables the insertion of write recovery cycles when, after a write access to the external bus, a read access is made to the external bus in a different area.

RCVEN6 Bit (Separate Bus Recovery Cycle Insertion Enable 6)

This bit enables or disables the insertion of write recovery cycles when, after a write access to the external bus, a write access is made to the external bus in the same area.

RCVEN7 Bit (Separate Bus Recovery Cycle Insertion Enable 7)

This bit enables or disables the insertion of write recovery cycles when, after a write access to the external bus, a write access is made to the external bus in a different area.

RCVENM0 Bit (Multiplexed Bus Recovery Cycle Insertion Enable 0)

This bit enables or disables the insertion of read recovery cycles when, after a read access to the external bus, a read access is made to the external bus in the same area.

RCVENM1 Bit (Multiplexed Bus Recovery Cycle Insertion Enable 1)

This bit enables or disables the insertion of read recovery cycles when, after a read access to the external bus, a read access is made to the external bus in a different area.

RCVENM2 Bit (Multiplexed Bus Recovery Cycle Insertion Enable 2)

This bit enables or disables the insertion of read recovery cycles when, after a read access to the external bus, a write access is made to the external bus in the same area.

RCVENM3 Bit (Multiplexed Bus Recovery Cycle Insertion Enable 3)

This bit enables or disables the insertion of read recovery cycles when, after a read access to the external bus, a write access is made to the external bus in a different area.

RCVENM4 Bit (Multiplexed Bus Recovery Cycle Insertion Enable 4)

This bit enables or disables the insertion of write recovery cycles when, after a write access to the external bus, a read access is made to the external bus in the same area.

RCVENM5 Bit (Multiplexed Bus Recovery Cycle Insertion Enable 5)

This bit enables or disables the insertion of write recovery cycles when, after a write access to the external bus, a read access is made to the external bus in a different area.

RCVENM6 Bit (Multiplexed Bus Recovery Cycle Insertion Enable 6)

This bit enables or disables the insertion of write recovery cycles when, after a write access to the external bus, a write access is made to the external bus in the same area.

RCVENM7 Bit (Multiplexed Bus Recovery Cycle Insertion Enable 7)

This bit enables or disables the insertion of write recovery cycles when, after a write access to the external bus, a write access is made to the external bus in a different area.

Table 15.7 Insertion of Recovery Cycles

Access Type	External Address Space	Insertion of Recovery Cycles	Corresponding Bits (Separate/Multiplexed)
Read access after read access	Same area	Recovery cycles specified by the RRCV[3:0] bits are inserted.	RCVEN0/RCVENM0
	Different area	Recovery cycles specified by the RRCV[3:0] bits are inserted.	RCVEN1/RCVENM1
Read access after write access	Same area	Recovery cycles specified by the RRCV[3:0] bits are inserted.	RCVEN2/RCVENM2
	Different area	Recovery cycles specified by the RRCV[3:0] bits are inserted.	RCVEN3/RCVENM3
Write access after read access	Same area	Recovery cycles specified by the WRCV[3:0] bits are inserted.	RCVEN4/RCVENM4
	Different area	Recovery cycles specified by the WRCV[3:0] bits are inserted.	RCVEN5/RCVENM5
Write access after write access	Same area	Recovery cycles specified by the WRCV[3:0] bits are inserted.	RCVEN6/RCVENM6
	Different area	Recovery cycles specified by the WRCV[3:0] bits are inserted.	RCVEN7/RCVENM7

15.3.4 CSn Mode Register (CSnMOD) (n = 0 to 3)

Address(es): CS0MOD 0008 3002h, CS1MOD 0008 3012h, CS2MOD 0008 3022h, CS3MOD 0008 3032h

	b15	b14	b13	b12	b11	b10	b9	b8	b7	b6	b5	b4	b3	b2	b1	b0
	PRMOD	—	—	—	—	—	PWENB	PRENB	—	—	—	—	EWENB	—	—	WRMOD
Value after reset:	0	0	0	0	0	0	0	0	0	0	0	0	0	0	0	0

Bit	Symbol	Bit Name	Description	R/W
b0	WRMOD	Write Access Mode Select	0: Byte strobe mode 1: Single write strobe mode	R/W
b2, b1	—	Reserved	These bits are read as 0. The write value should be 0.	R/W
b3	EWENB	External Wait Enable	0: External wait is disabled 1: External wait is enabled	R/W
b7 to b4	—	Reserved	These bits are read as 0. The write value should be 0.	R/W
b8	PRENB	Page Read Access Enable	0: Page read access is disabled 1: Page read access is enabled	R/W
b9	PWENB	Page Write Access Enable	0: Page write access is disabled 1: Page write access is enabled	R/W
b14 to b10	—	Reserved	These bits are read as 0. The write value should be 0.	R/W
b15	PRMOD	Page Read Access Mode Select	0: Normal access compatible mode 1: External data read continuous assertion mode	R/W

Do not write to the CSnMOD register while access to the CSn area is in progress.

WRMOD Bit (Write Access Mode Select)

This bit selects a write access operating mode.

Writing 0 to this bit selects byte strobe mode where data write operation is controlled by the WRn# (n = 0, 1) signal corresponding to the respective byte positions.

Writing 1 to this bit selects single write strobe mode where data write operation is controlled by the BCn# (n = 0, 1) signal and the WR# signal corresponding to respective byte positions. Note that setting the external bus width of 8 bits is prohibited in single write strobe mode.

Table 15.8 Control Signals for Write Access Mode

Mode	Pin Name			
	WR1#	WR0#/WR#	BC1#	BC0#
Byte strobe mode	○	○	×	×
Single write strobe mode	×	○	○	○

○: Enabled, ×: Disabled

EWENB Bit (External Wait Enable)

This bit enables or disables external wait.

Writing 1 to this bit selects external wait and allows control of the number of waits in each cycle with the WAIT# signal.

In this state, wait cycles are inserted while the WAIT# signal is at the low level.

Writing 0 to this bit disables the WAIT# signal.

PRENB Bit (Page Read Access Enable)

This bit enables or disables page read accesses.

Note: • When the address/data multiplexed I/O interface is selected with the MPXEN bit in CSnCR, this bit should not be set to enable page read accesses. Page read accesses are not supported in the address/data multiplexed I/O interface.

PWENB Bit (Page Write Access Enable)

This bit enables or disables page write accesses.

Note: • When the address/data multiplexed I/O interface is selected with the MPXEN bit in CSnCR, this bit should not be set to enable page read accesses. Page read accesses are not supported in the address/data multiplexed I/O interface.

PRMOD Bit (Page Read Access Mode Select)

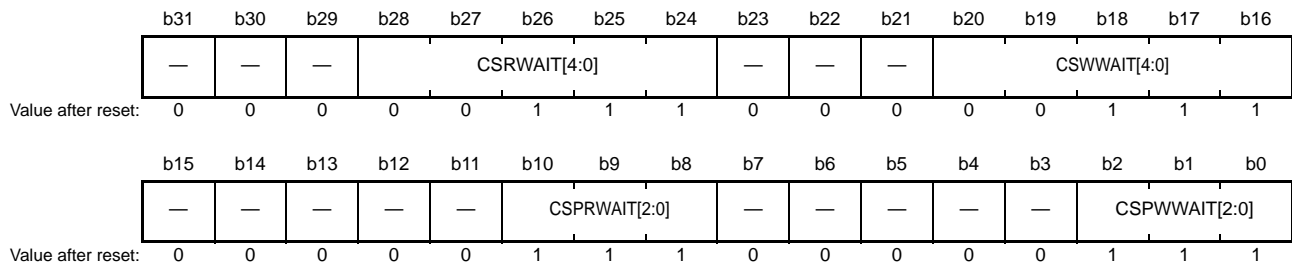
This bit selects a page read access operating mode.

Writing 0 to this bit selects normal access compatible mode where the RD# signal is negated and RD assert wait is inserted each time a piece of data is read. However, when there is no RD assert wait, the RD# signal is negated only in the final transfer of the external bus access.

Writing 1 to this bit selects external data read continuous assertion mode where RD assert wait is inserted and the RD# signal is continuously asserted during this time period.

15.3.5 CSn Wait Control Register 1 (CSnWCR1) (n = 0 to 3)

Address(es): CS0WCR1 0008 3004h, CS1WCR1 0008 3014h, CS2WCR1 0008 3024h, CS3WCR1 0008 3034h



Bit	Symbol	Bit Name	Description	R/W
b2 to b0	CSPWWAIT[2:0]	Page Write Cycle Wait Select*1	b2 b0 0 0 0: No wait is inserted. 0 0 1: Wait with a length of 1 clock cycle is inserted. 0 1 0: Wait with a length of 2 clock cycles is inserted. 0 1 1: Wait with a length of 3 clock cycles is inserted. 1 0 0: Wait with a length of 4 clock cycles is inserted. 1 0 1: Wait with a length of 5 clock cycles is inserted. 1 1 0: Wait with a length of 6 clock cycles is inserted. 1 1 1: Wait with a length of 7 clock cycles is inserted.	R/W
b7 to b3	—	Reserved	These bits are read as 0. The write value should be 0.	R/W
b10 to b8	CSPRWAIT[2:0]	Page Read Cycle Wait Select*2	b10 b8 0 0 0: No wait is inserted. 0 0 1: Wait with a length of 1 clock cycle is inserted. 0 1 0: Wait with a length of 2 clock cycles is inserted. 0 1 1: Wait with a length of 3 clock cycles is inserted. 1 0 0: Wait with a length of 4 clock cycles is inserted. 1 0 1: Wait with a length of 5 clock cycles is inserted. 1 1 0: Wait with a length of 6 clock cycles is inserted. 1 1 1: Wait with a length of 7 clock cycles is inserted.	R/W
b15 to b11	—	Reserved	These bits are read as 0. The write value should be 0.	R/W

Bit	Symbol	Bit Name	Description	R/W
b20 to b16	CSWWAIT[4:0]	Normal Write Cycle Wait Select	b20 b16 0 0 0 0 0: No wait is inserted. 0 0 0 0 1: Wait with a length of 1 clock cycle is inserted. 0 0 0 1 0: Wait with a length of 2 clock cycles is inserted. 0 0 0 1 1: Wait with a length of 3 clock cycles is inserted. 0 0 1 0 0: Wait with a length of 4 clock cycles is inserted. 0 0 1 0 1: Wait with a length of 5 clock cycles is inserted. 0 0 1 1 0: Wait with a length of 6 clock cycles is inserted. 0 0 1 1 1: Wait with a length of 7 clock cycles is inserted. 0 1 0 0 0: Wait with a length of 8 clock cycles is inserted. 0 1 0 0 1: Wait with a length of 9 clock cycles is inserted. 0 1 0 1 0: Wait with a length of 10 clock cycles is inserted. 0 1 0 1 1: Wait with a length of 11 clock cycles is inserted. 0 1 1 0 0: Wait with a length of 12 clock cycles is inserted. 0 1 1 0 1: Wait with a length of 13 clock cycles is inserted. 0 1 1 1 0: Wait with a length of 14 clock cycles is inserted. 0 1 1 1 1: Wait with a length of 15 clock cycles is inserted. 1 0 0 0 0: Wait with a length of 16 clock cycles is inserted. 1 0 0 0 1: Wait with a length of 17 clock cycles is inserted. 1 0 0 1 0: Wait with a length of 18 clock cycles is inserted. 1 0 0 1 1: Wait with a length of 19 clock cycles is inserted. 1 0 1 0 0: Wait with a length of 20 clock cycles is inserted. 1 0 1 0 1: Wait with a length of 21 clock cycles is inserted. 1 0 1 1 0: Wait with a length of 22 clock cycles is inserted. 1 0 1 1 1: Wait with a length of 23 clock cycles is inserted. 1 1 0 0 0: Wait with a length of 24 clock cycles is inserted. 1 1 0 0 1: Wait with a length of 25 clock cycles is inserted. 1 1 0 1 0: Wait with a length of 26 clock cycles is inserted. 1 1 0 1 1: Wait with a length of 27 clock cycles is inserted. 1 1 1 0 0: Wait with a length of 28 clock cycles is inserted. 1 1 1 0 1: Wait with a length of 29 clock cycles is inserted. 1 1 1 1 0: Wait with a length of 30 clock cycles is inserted. 1 1 1 1 1: Wait with a length of 31 clock cycles is inserted.	R/W
b23 to b21	—	Reserved	These bits are read as 0. The write value should be 0.	R/W
b28 to b24	CSRWAIT[4:0]	Normal Read Cycle Wait Select	b28 b24 0 0 0 0 0: No wait is inserted. 0 0 0 0 1: Wait with a length of 1 clock cycle is inserted. 0 0 0 1 0: Wait with a length of 2 clock cycles is inserted. 0 0 0 1 1: Wait with a length of 3 clock cycles is inserted. 0 0 1 0 0: Wait with a length of 4 clock cycles is inserted. 0 0 1 0 1: Wait with a length of 5 clock cycles is inserted. 0 0 1 1 0: Wait with a length of 6 clock cycles is inserted. 0 0 1 1 1: Wait with a length of 7 clock cycles is inserted. 0 1 0 0 0: Wait with a length of 8 clock cycles is inserted. 0 1 0 0 1: Wait with a length of 9 clock cycles is inserted. 0 1 0 1 0: Wait with a length of 10 clock cycles is inserted. 0 1 0 1 1: Wait with a length of 11 clock cycles is inserted. 0 1 1 0 0: Wait with a length of 12 clock cycles is inserted. 0 1 1 0 1: Wait with a length of 13 clock cycles is inserted. 0 1 1 1 0: Wait with a length of 14 clock cycles is inserted. 0 1 1 1 1: Wait with a length of 15 clock cycles is inserted. 1 0 0 0 0: Wait with a length of 16 clock cycles is inserted. 1 0 0 0 1: Wait with a length of 17 clock cycles is inserted. 1 0 0 1 0: Wait with a length of 18 clock cycles is inserted. 1 0 0 1 1: Wait with a length of 19 clock cycles is inserted. 1 0 1 0 0: Wait with a length of 20 clock cycles is inserted. 1 0 1 0 1: Wait with a length of 21 clock cycles is inserted. 1 0 1 1 0: Wait with a length of 22 clock cycles is inserted. 1 0 1 1 1: Wait with a length of 23 clock cycles is inserted. 1 1 0 0 0: Wait with a length of 24 clock cycles is inserted. 1 1 0 0 1: Wait with a length of 25 clock cycles is inserted. 1 1 0 1 0: Wait with a length of 26 clock cycles is inserted. 1 1 0 1 1: Wait with a length of 27 clock cycles is inserted. 1 1 1 0 0: Wait with a length of 28 clock cycles is inserted. 1 1 1 0 1: Wait with a length of 29 clock cycles is inserted. 1 1 1 1 0: Wait with a length of 30 clock cycles is inserted. 1 1 1 1 1: Wait with a length of 31 clock cycles is inserted.	R/W
b31 to b29	—	Reserved	These bits are read as 0. The write value should be 0.	R/W

Note 1. The CSPWWAIT[2:0] value is valid only when the PWENB bit in CSnMOD is set to 1.

Note 2. The CSPRWAIT[2:0] value is valid only when the PRENB bit in CSnMOD is set to 1.

Do not write to the CSnWCR1 register while access to the CSn area is in progress.

Set each of these bits within a range of the restrictions described in section 15.6.1, Limitations on Using Separate Bus Interface or section 15.6.2, Limitations on Using Address/Data Multiplexed Bus Interface, according to the bus interface used.

CSPWAIT[2:0] Bits (Page Write Cycle Wait Select)

These bits specify the number of wait cycles to be inserted into the second and subsequent accesses during a page write cycle.

This setting is enabled when the PWENB bit in CSnMOD is set to 1.

Note: • Be sure to satisfy $1 \leq \text{CSnWCR2.WDON}[2:0] \text{ value} \leq \text{CSnWCR2.WRON}[2:0] \text{ value} \leq \text{CSnWCR1.CSPWAIT}[2:0] \text{ value}$ and $\text{CSnWCR2.CSON}[2:0] \text{ value} \leq \text{CSnWCR2.WRON}[2:0] \text{ value} \leq \text{CSnWCR1.CSPWAIT}[2:0] \text{ value}$.

CSPRWAIT[2:0] Bits (Page Read Cycle Wait Select)

These bits specify the number of wait cycles to be inserted into the second and subsequent accesses during a page read cycle.

This setting is enabled when the PRENB bit in CSnMOD is set to 1.

Note: • Be sure to satisfy $\text{CSnWCR2.CSON}[2:0] \text{ value} \leq \text{CSnWCR2.RDON}[2:0] \text{ value} \leq \text{CSnWCR1.CSPRWAIT}[2:0] \text{ value}$.

CSWWAIT[4:0] Bits (Normal Write Cycle Wait Select)

These bits specify the number of wait cycles to be inserted into the first access during a normal write cycle or page write cycle.

Note: • Be sure to satisfy $1 \leq \text{CSnWCR2.WDON}[2:0] \text{ value} \leq \text{CSnWCR2.WRON}[2:0] \text{ value} \leq \text{CSnWCR1.CSWWAIT}[4:0] \text{ value}$ and $\text{CSnWCR2.CSON}[2:0] \text{ value} \leq \text{CSnWCR2.WRON}[2:0] \text{ value} \leq \text{CSnWCR1.CSWWAIT}[4:0] \text{ value}$.

CSRWAIT[4:0] Bits (Normal Read Cycle Wait Select)

These bits specify the number of wait cycles to be inserted into the first access during a normal read cycle or page read cycle.

Note: • Be sure to satisfy $\text{CSnWCR2.CSON}[2:0] \text{ value} \leq \text{CSnWCR2.RDON}[2:0] \text{ value} \leq \text{CSnWCR1.CSRWAIT}[4:0] \text{ value}$.

15.3.6 CSn Wait Control Register 2 (CSnWCR2) (n = 0 to 3)

Address(es): CS0WCR2 0008 3008h, CS1WCR2 0008 3018h, CS2WCR2 0008 3028h, CS3WCR2 0008 3038h

b31	b30	b29	b28	b27	b26	b25	b24	b23	b22	b21	b20	b19	b18	b17	b16
—	CSON[2:0]			—	WDON[2:0]			—	WRON[2:0]			—	RDON[2:0]		
Value after reset: 0 0 0 0 0 0 0 0 0 0 0 0 0 0 0 0															
b15	b14	b13	b12	b11	b10	b9	b8	b7	b6	b5	b4	b3	b2	b1	b0
—	—	AWAIT[1:0]		—	WDOFF[2:0]			—	CSWOFF[2:0]			—	CSROFF[2:0]		
Value after reset: 0 0 0 0 0 0 0 0 0 0 0 0 0 1 1 1															

Bit	Symbol	Bit Name	Description	R/W
b2 to b0	CSROFF[2:0]	Read-Access CS Extension Cycle Select	b2 b0 0 0 0: No wait is inserted. 0 0 1: Wait with a length of 1 clock cycle is inserted. 0 1 0: Wait with a length of 2 clock cycles is inserted. 0 1 1: Wait with a length of 3 clock cycles is inserted. 1 0 0: Wait with a length of 4 clock cycles is inserted. 1 0 1: Wait with a length of 5 clock cycles is inserted. 1 1 0: Wait with a length of 6 clock cycles is inserted. 1 1 1: Wait with a length of 7 clock cycles is inserted.	R/W
b3	—	Reserved	This bit is read as 0. The write value should be 0.	R/W
b6 to b4	CSWOFF[2:0]	Write-Access CS Extension Cycle Select	b6 b4 0 0 0: No wait is inserted. 0 0 1: Wait with a length of 1 clock cycle is inserted. 0 1 0: Wait with a length of 2 clock cycles is inserted. 0 1 1: Wait with a length of 3 clock cycles is inserted. 1 0 0: Wait with a length of 4 clock cycles is inserted. 1 0 1: Wait with a length of 5 clock cycles is inserted. 1 1 0: Wait with a length of 6 clock cycles is inserted. 1 1 1: Wait with a length of 7 clock cycles is inserted.	R/W
b7	—	Reserved	This bit is read as 0. The write value should be 0.	R/W
b10 to b8	WDOFF[2:0]	Write Data Output Extension Cycle Select	b10 b8 0 0 0: No wait is inserted. 0 0 1: Wait with a length of 1 clock cycle is inserted. 0 1 0: Wait with a length of 2 clock cycles is inserted. 0 1 1: Wait with a length of 3 clock cycles is inserted. 1 0 0: Wait with a length of 4 clock cycles is inserted. 1 0 1: Wait with a length of 5 clock cycles is inserted. 1 1 0: Wait with a length of 6 clock cycles is inserted. 1 1 1: Wait with a length of 7 clock cycles is inserted.	R/W
b11	—	Reserved	This bit is read as 0. The write value should be 0.	R/W
b13, b12	AWAIT[1:0]	Address Cycle Wait Select	b13 b12 0 0: No wait is inserted. 0 1: Wait with a length of 1 clock cycle is inserted. 1 0: Wait with a length of 2 clock cycles is inserted. 1 1: Wait with a length of 3 clock cycles is inserted.	R/W
b15, b14	—	Reserved	These bits are read as 0. The write value should be 0.	R/W
b18 to b16	RDON[2:0]	RD Assert Wait Select	b18 b16 0 0 0: No wait is inserted. 0 0 1: Wait with a length of 1 clock cycle is inserted. 0 1 0: Wait with a length of 2 clock cycles is inserted. 0 1 1: Wait with a length of 3 clock cycles is inserted. 1 0 0: Wait with a length of 4 clock cycles is inserted. 1 0 1: Wait with a length of 5 clock cycles is inserted. 1 1 0: Wait with a length of 6 clock cycles is inserted. 1 1 1: Wait with a length of 7 clock cycles is inserted.	R/W
b19	—	Reserved	This bit is read as 0. The write value should be 0.	R/W

Bit	Symbol	Bit Name	Description	R/W
b22 to b20	WRON[2:0]	WR Assert Wait Select	b22 b20 0 0 0: No wait is inserted. 0 0 1: Wait with a length of 1 clock cycle is inserted. 0 1 0: Wait with a length of 2 clock cycles is inserted. 0 1 1: Wait with a length of 3 clock cycles is inserted. 1 0 0: Wait with a length of 4 clock cycles is inserted. 1 0 1: Wait with a length of 5 clock cycles is inserted. 1 1 0: Wait with a length of 6 clock cycles is inserted. 1 1 1: Wait with a length of 7 clock cycles is inserted.	R/W
b23	—	Reserved	This bit is read as 0. The write value should be 0.	R/W
b26 to b24	WDON[2:0]	Write Data Output Wait Select	b26 b24 0 0 0: No wait is inserted. 0 0 1: Wait with a length of 1 clock cycle is inserted. 0 1 0: Wait with a length of 2 clock cycles is inserted. 0 1 1: Wait with a length of 3 clock cycles is inserted. 1 0 0: Wait with a length of 4 clock cycles is inserted. 1 0 1: Wait with a length of 5 clock cycles is inserted. 1 1 0: Wait with a length of 6 clock cycles is inserted. 1 1 1: Wait with a length of 7 clock cycles is inserted.	R/W
b27	—	Reserved	This bit is read as 0. The write value should be 0.	R/W
b30 to b28	CSON[2:0]	CS Assert Wait Select	b30 b28 0 0 0: No wait is inserted. 0 0 1: Wait with a length of 1 clock cycle is inserted. 0 1 0: Wait with a length of 2 clock cycles is inserted. 0 1 1: Wait with a length of 3 clock cycles is inserted. 1 0 0: Wait with a length of 4 clock cycles is inserted. 1 0 1: Wait with a length of 5 clock cycles is inserted. 1 1 0: Wait with a length of 6 clock cycles is inserted. 1 1 1: Wait with a length of 7 clock cycles is inserted.	R/W
b31	—	Reserved	This bit is read as 0. The write value should be 0.	R/W

Do not write to the CSnWCR2 register while access to the CSn area is in progress.

Set each of these bits within a range of the restrictions described in section 15.6.1, Limitations on Using Separate Bus Interface or section 15.6.2, Limitations on Using Address/Data Multiplexed Bus Interface, according to the bus interface used.

CSROFF[2:0] Bits (Read-Access CS Extension Cycle Select)

These bits specify the number of wait cycles to be inserted in a time period from the end of a wait cycle (RD# signal negated) until the CSn# signal (n = 0 to 3) is negated in read access mode.

CSWOFF[2:0] Bits (Write-Access CS Extension Cycle Select)

These bits specify the number of wait cycles to be inserted in a time period from the end of a wait cycle (WRn# signal (n = 0, 1) negated) until the CSn# signal (n = 0 to 3) is negated in write access mode.

Note: • Be sure to satisfy WDOFF[2:0] value \leq CSWOFF[2:0] value.

WDOFF[2:0] Bits (Write Data Output Extension Cycle Select)

These bits specify the number of wait cycles to be inserted in a time period from the end of a wait cycle (WRn# signal (n = 0, 1) negated) until the write data output is completed in write access mode.

Note: • Be sure to satisfy WDOFF[2:0] value \leq CSWOFF[2:0] value.

AWAIT[1:0] Bits (Address Cycle Wait Select)

These bits specify the number of wait cycles to be inserted into an address output cycle with the address/data multiplexed I/O interface.

- Note:
- $CSnWCR2.CSON[2:0] \text{ value} \leq CSnWCR2.AWAIT[1:0] \text{ value}$
For read access, satisfy $CSnWCR2.AWAIT[1:0] \text{ value} + 2 \leq CSnWCR2.RDON[2:0] \text{ value} \leq CSnWCR1.CSRWAIT[4:0] \text{ value}$.
For write access, satisfy $CSnWCR2.AWAIT[1:0] \text{ value} + 2 \leq CSnWCR2.WRON[2:0] \text{ value} \leq CSnWCR1.CSWWAIT[4:0] \text{ value}$ and $CSnWCR2.AWAIT[1:0] \text{ value} + 2 \leq CSnWCR2.WDON[2:0] \text{ value} \leq CSnWCR1.CSPWAIT[4:0] \text{ value}$.

RDON[2:0] Bits (RD Assert Wait Select)

These bits specify the number of wait cycles to be inserted before the RD# signal is asserted.

- Note:
- For normal read access, satisfy $CSnWCR2.CSON[2:0] \text{ value} \leq CSnWCR2.RDON[2:0] \text{ value} \leq CSnWCR1.CSRWAIT[4:0] \text{ value}$.
For page read access, satisfy $CSnWCR2.CSON[2:0] \text{ value} \leq CSnWCR2.RDON[2:0] \text{ value} \leq CSnWCR1.CSPWAIT[2:0] \text{ value}$.
 - When the address/data multiplexed I/O interface is selected, satisfy $CSnWCR2.AWAIT[1:0] \text{ value} + 2 \leq CSnWCR2.RDON[2:0] \text{ value} \leq CSnWCR1.CSRWAIT[4:0] \text{ value}$.

WRON[2:0] Bits (WR Assert Wait Select)

These bits specify the number of wait cycles to be inserted before the WRn# signal (n = 0, 1) is asserted.

- Note:
- For normal write access, $1 \leq CSnWCR2.WDON[2:0] \text{ value} \leq CSnWCR2.WRON[2:0] \text{ value} \leq CSnWCR1.CSWWAIT[4:0] \text{ value}$ and $CSnWCR2.CSON[2:0] \text{ value} \leq CSnWCR2.WRON[2:0] \text{ value} \leq CSnWCR1.CSPWAIT[2:0] \text{ value}$.
For page write access, $1 \leq CSnWCR2.WDON[2:0] \text{ value} \leq CSnWCR2.WRON[2:0] \text{ value} \leq CSnWCR1.CSPWAIT[2:0] \text{ value}$ and $CSnWCR2.CSON[2:0] \text{ value} \leq CSnWCR2.WRON[2:0] \text{ value} \leq CSnWCR1.CSPWAIT[2:0] \text{ value}$.
 - When the address/data multiplexed I/O interface is selected, satisfy $CSnWCR2.AWAIT[1:0] \text{ value} + 2 \leq CSnWCR2.WRON[2:0] \text{ value} \leq CSnWCR1.CSWWAIT[4:0] \text{ value}$.

WDON[2:0] Bits (Write Data Output Wait Select)

These bits specify the number of wait cycles to be inserted before the write data is output.

- Note:
- For normal write access, $1 \leq CSnWCR2.WDON[2:0] \text{ value} \leq CSnWCR2.WRON[2:0] \text{ value} \leq CSnWCR1.CSWWAIT[4:0] \text{ value}$.
For page write access, $1 \leq CSnWCR2.WDON[2:0] \text{ value} \leq CSnWCR2.WRON[2:0] \text{ value} \leq CSnWCR1.CSPWAIT[2:0] \text{ value}$.
 - When the address/data multiplexed I/O interface is selected, satisfy $CSnWCR2.AWAIT[1:0] \text{ value} + 2 \leq CSnWCR2.WDON[2:0] \text{ value} \leq CSnWCR1.CSWWAIT[4:0] \text{ value}$.

CSON[2:0] Bits (CS Assert Wait Select)

These bits specify the number of wait cycles to be inserted before the CSn# signal (n = 0 to 3) is asserted.

- Note:
- For normal read access, satisfy $CSnWCR2.CSON[2:0] \text{ value} \leq CSnWCR2.RDON[2:0] \text{ value} \leq CSnWCR1.CSRWAIT[4:0] \text{ value}$.
For page read access, satisfy $CSnWCR2.CSON[2:0] \text{ value} \leq CSnWCR2.RDON[2:0] \text{ value} \leq CSnWCR1.CSPWAIT[2:0] \text{ value}$.
For normal write access, satisfy $CSnWCR2.CSON[2:0] \text{ value} \leq CSnWCR2.WRON[2:0] \text{ value} \leq CSnWCR1.CSWWAIT[4:0] \text{ value}$.
For page write access, satisfy $CSnWCR2.CSON[2:0] \text{ value} \leq CSnWCR2.WRON[2:0] \text{ value} \leq CSnWCR1.CSPWAIT[2:0] \text{ value}$.

Note: • When the address/data multiplexed I/O interface is selected, satisfy CSnWCR2.CSON[2:0] value ≤ CSnWCR2.AWAIT[1:0] value.

15.3.7 Bus Error Status Clear Register (BERCLR)

Address(es): 0008 1300h

b7	b6	b5	b4	b3	b2	b1	b0
—	—	—	—	—	—	—	STSCLR
0	0	0	0	0	0	0	0

Value after reset:

Bit	Symbol	Bit Name	Description	R/W
b0	STSCLR	Status Clear	0: Invalid 1: Bus error status register cleared	(W)*1
b7 to b1	—	Reserved	These bits are read as 0. The write value should be 0.	R/W

Note 1. Only writing 1 is effective; i.e. writing 0 has no effect.

STSCLR Bit (Status Clear)

Writing 1 to this bit clears the bus error status registers 1 and 2 (BERSR1 and BERSR2).

Writing 0 has no effect. It is read as 0.

15.3.8 Bus Error Monitoring Enable Register (BEREN)

Address(es): 0008 1304h

b7	b6	b5	b4	b3	b2	b1	b0
—	—	—	—	—	—	TOEN	IGAEN
0	0	0	0	0	0	0	0

Value after reset:

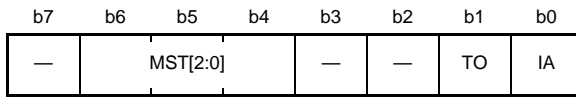
Bit	Symbol	Bit Name	Description	R/W
b0	IGAEN	Illegal Address Access Detection Enable	0: Illegal address access detection is disabled. 1: Illegal address access detection is enabled.	R/W
b1	TOEN	Timeout Detection Enable*1,*2	0: Bus timeout detection is disabled. 1: Bus timeout detection is enabled.	R/W
b7 to b2	—	Reserved	These bits are read as 0. The write value should be 0.	R/W

Note 1. When detection is disabled (the TOEN bit is cleared to 0), bus access can cause the bus to freeze.

Note 2. Do not clear the TOEN bit to 0 (bus timeout detection disabled) while timeout errors are being detected.

15.3.9 Bus Error Status Register 1 (BERSR1)

Address(es): 0008 1308h



Value after reset: 0 0 0 0 0 0 0 0

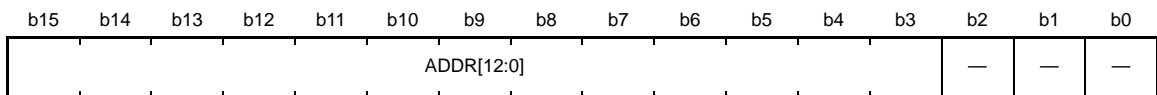
Bit	Symbol	Bit Name	Description	R/W																											
b0	IA	Illegal Address Access	0: Illegal address access not made 1: Illegal address access made	R																											
b1	TO	Timeout	0: Timeout not generated 1: Timeout generated	R																											
b3, b2	—	Reserved	These bits are read as 0. Writing to these bits has no effect.	R																											
b6 to b4	MST[2:0]	Bus Master Code	<table style="font-size: small; border: none;"> <tr> <td style="padding-right: 10px;">b6</td> <td style="padding-right: 10px;">b4</td> <td></td> </tr> <tr> <td>0</td> <td>0</td> <td>0: CPU</td> </tr> <tr> <td>0</td> <td>0</td> <td>1: Reserved</td> </tr> <tr> <td>0</td> <td>1</td> <td>0: Reserved</td> </tr> <tr> <td>0</td> <td>1</td> <td>1: DTC/DMAC</td> </tr> <tr> <td>1</td> <td>0</td> <td>0: Reserved</td> </tr> <tr> <td>1</td> <td>0</td> <td>1: Reserved</td> </tr> <tr> <td>1</td> <td>1</td> <td>0: Reserved</td> </tr> <tr> <td>1</td> <td>1</td> <td>1: Reserved</td> </tr> </table>	b6	b4		0	0	0: CPU	0	0	1: Reserved	0	1	0: Reserved	0	1	1: DTC/DMAC	1	0	0: Reserved	1	0	1: Reserved	1	1	0: Reserved	1	1	1: Reserved	R
b6	b4																														
0	0	0: CPU																													
0	0	1: Reserved																													
0	1	0: Reserved																													
0	1	1: DTC/DMAC																													
1	0	0: Reserved																													
1	0	1: Reserved																													
1	1	0: Reserved																													
1	1	1: Reserved																													
b7	—	Reserved	This bit is read as 0. Writing to this bit has no effect.	R																											

MST[2:0] Bits (Bus Master Code)

These bits indicate the bus master that accessed a bus when a bus error occurred.

15.3.10 Bus Error Status Register 2 (BERSR2)

Address(es): 0008 130Ah



Value after reset: 0 0 0 0 0 0 0 0 0 0 0 0 0 0 0 0

Bit	Symbol	Bit Name	Description	R/W
b2 to b0	—	Reserved	These bits are read as 0. Writing to these bits has no effect.	R
b15 to b3	ADDR[12:0]	Bus Error Occurrence Address	The upper 13 bits of an address that was accessed when a bus error occurred (in units of 512 Kbytes).	R

15.3.11 Bus Priority Control Register (BUSPRI)

Address(es): 0008 1310h

b15	b14	b13	b12	b11	b10	b9	b8	b7	b6	b5	b4	b3	b2	b1	b0
—	—	BPEB[1:0]	BPFB[1:0]	—	—	BPGB[1:0]	BPIB[1:0]	BPRO[1:0]	BPRA[1:0]						
Value after reset: 0 0 0 0 0 0 0 0 0 0 0 0 0 0 0 0															

Bit	Symbol	Bit Name	Description	R/W
b1, b0	BPRA[1:0]	Memory Bus 1 (RAM) Priority Control	b1 b0 0 0: The order of priority is fixed. 0 1: The order of priority is toggled. 1 0: Setting prohibited 1 1: Setting prohibited	R(W) *1
b3, b2	BPRO[1:0]	Memory Bus 2 (ROM) Priority Control	b3 b2 0 0: The order of priority is fixed. 0 1: The order of priority is toggled. 1 0: Setting prohibited 1 1: Setting prohibited	R(W) *1
b5, b4	BPIB[1:0]	Internal Peripheral Bus 1 Priority Control	b5 b4 0 0: The order of priority is fixed. 0 1: The order of priority is toggled. 1 0: Setting prohibited 1 1: Setting prohibited	R(W) *1
b7, b6	BPGB[1:0]	Internal Peripheral Bus 2 Priority Control	b7 b6 0 0: The order of priority is fixed. 0 1: The order of priority is toggled. 1 0: Setting prohibited 1 1: Setting prohibited	R(W) *1
b9, b8	—	Reserved	These bits are read as 0. The write value should be 0.	R/W
b11, b10	BPFB[1:0]	Internal Peripheral Bus 6 Priority Control	b11 b10 0 0: The order of priority is fixed. 0 1: The order of priority is toggled. 1 0: Setting prohibited 1 1: Setting prohibited	R(W) *1
b13, b12	BPEB[1:0]	External Bus Priority Control	b13 b12 0 0: The order of priority is fixed. 0 1: The order of priority is toggled. 1 0: Setting prohibited 1 1: Setting prohibited	R(W) *1
b15, b14	—	Reserved	These bits are read as 0. The write value should be 0.	R/W

Note 1. These bits can be written to only once while the DTC and DMAC are stopped. When they are written to more than one time, the operation is not guaranteed.

BPRA[1:0] Bits (Memory Bus 1 (RAM) Priority Control)

These bits specify the priority order for memory bus 1 (RAM).

When the priority order is fixed, internal main bus 2 has priority over the CPU bus.

When the priority order is toggled, a bus has a lower priority when the request of that bus is accepted.

BPRO[1:0] Bits (Memory Bus 2 (ROM) Priority Control)

These bits specify the priority order for memory bus 2 (ROM).

When the priority order is fixed, internal main bus 2 has priority over the CPU bus.

When the priority order is toggled, a bus has a lower priority when the request of that bus is accepted.

BPIB[1:0] Bits (Internal Peripheral Bus 1 Priority Control)

These bits specify the priority order for internal peripheral bus 1.

When the priority order is fixed, internal main bus 2 has priority over internal main bus 1.

When the priority order is toggled, a bus has a lower priority when the request of that bus is accepted.

BPGB[1:0] Bits (Internal Peripheral Bus 2 Priority Control)

These bits specify the priority order for internal peripheral bus 2.

When the priority order is fixed, internal main bus 2 has priority over internal main bus 1.

When the priority order is toggled, a bus has a lower priority when the request of that bus is accepted.

BPFB[1:0] Bits (Internal Peripheral Bus 6 Priority Control)

These bits specify the priority order for internal peripheral bus 6.

When the priority order is fixed, internal main bus 2 has priority over internal main bus 1.

When the priority order is toggled, a bus has a lower priority when the request of that bus is accepted.

BPEB[1:0] Bits (External Bus Priority Control)

These bits specify the priority order for the external bus.

When the priority order is fixed, the order is internal main bus 2, and then internal main bus 1.

When the priority order is toggled, a bus has a lower priority when the request of that bus is accepted, between internal main bus 1 and internal main bus 2.

15.4 Endian and Data Alignment

The external bus has a data-alignment function to control which byte of the data bus (D15 to D8, or D7 to D0) is used according to the bus specifications of the area to be accessed (8-bit or 16-bit bus space), data size, and endian format when accessing the external address space (the CS).

15.4.1 Data Alignment Control for CS Area

(1) 16-Bit Bus Space

When a 16-bit width is selected for a bus space by the BSIZE[1:0] bits in CSnCR, the address buses A23 to A1 are enabled to output address signals in units of 16 bits, and the address bus A0 is disabled (always output the low level). When byte strobe mode is selected (the WRMOD bit = 0 in CSnMOD), the WR0# and WR1# pins are enabled. The BC0#, and BC1# pins are not used.

When single write strobe mode is selected (the WRMOD bit = 1 in CSnMOD), only the WR0# pin is enabled and always outputs the low level during write access, regardless of the data size. Here, the WR1# pin is invalid (always output the high level). The valid byte position is indicated by the BC0# and BC1# pins.

In 16-bit bus space, page access can occur in access to data in 32-bit units. Specifically, page access can occur when an access does not spread over a 32-bit boundary and causes no change in BC0# and BC1# signals. The situations in which page access occurs are indicated by the letter (p) in Figure 15.6 and Figure 15.7.

In 16-bit bus space, the valid positions of data external to the chip and of control signals differ according to whether the endian is big or little.

Data Size	Access Address	Number of Access	Bus Cycle	Unit of Data	Address	Data Bus			
						D15	D8	D7	D0
8 bits	4n	One	First	8 bits	4n	[7 0]			
	4n+1	One	First	8 bits	4n	[7 0]			
	4n+2	One	First	8 bits	4n+2	[7 0]			
	4n+3	One	First	8 bits	4n+2	[7 0]			
16 bits	4n	One	First	16 bits	4n	[15 8 7 0]			
	4n+1	Two	First	8 bits	4n	[7 0]			
			Second	8 bits	4n+2	[15 8]			
	4n+2	One	First	16 bits	4n+2	[15 8 7 0]			
32 bits	4n	Two	First	16 bits	4n	[15 8 7 0]			
			Second	16 bits	4n+2 (p)	[31 24 23 16]			
	4n+1	Three	First	8 bits	4n	[7 0]			
			Second	16 bits	4n+2	[23 16 15 8]			
		Third	8 bits	4n+4	[31 24]				
32 bits	4n+2	Two	First	16 bits	4n+2	[15 8 7 0]			
			Second	16 bits	4n+4	[31 24 23 16]			
	4n+3	Three	First	8 bits	4n+2	[7 0]			
			Second	16 bits	4n+4	[23 16 15 8]			
		Third	8 bits	4n+6	[31 24]				

(p): Page access (only when page access is enabled with the PRENB and PWENB bits in CSnMOD)

Figure 15.6 Data Alignment (Little Endian) in 16-Bit Bus Space

Data Size	Access Address	Number of Access	Bus Cycle	Unit of Data	Address	WR1#/BC1#	WR0#/BC0#	
						RD#		
						Data Bus		
						D15	D8 D7	D0
8 bits	4n	One	First	8 bits	4n	7	0	
	4n+1	One	First	8 bits	4n		7 0	
	4n+2	One	First	8 bits	4n+2	7	0	
	4n+3	One	First	8 bits	4n+2		7 0	
16 bits	4n	One	First	16 bits	4n	15	8 7 0	
	4n+1	Two	First	8 bits	4n		15 8	
			Second	8 bits	4n+2	7	0	
	4n+2	One	First	16 bits	4n+2	15	8 7 0	
4n+3	Two	First	8 bits	4n+2		15 8		
		Second	8 bits	4n+4	7	0		
32 bits	4n	Two	First	16 bits	4n	31	24 23 16	
			Second	16 bits	4n+2 (p)	15	8 7 0	
	4n+1	Three	First	8 bits	4n		31 24	
			Second	16 bits	4n+2	23	16 15 8	
			Third	8 bits	4n+4	7	0	
	4n+2	Two	First	16 bits	4n+2	31	24 23 16	
			Second	16 bits	4n+4	15	8 7 0	
	4n+3	Three	First	8 bits	4n+2		31 24	
Second			16 bits	4n+4	23	16 15 8		
Third			8 bits	4n+6	7	0		

(p): Page access (only when page access is enabled with the PRENB and PWENB bits in CSnMOD)

Figure 15.7 Data Alignment (Big Endian) in 16-Bit Bus Space

(2) 8-Bit Bus Space

When an 8-bit bus space is selected by the BSIZE[1:0] bits in CSnCR, the address buses A23 to A0 are enabled to output address signals in byte units.

In 8-bit bus space, only the WR0# pin is valid regardless of write access mode, and always outputs the low level during write access. The WR1#, BC0#, and BC1# pins are not used.

Page access can occur in access to data in 16- or 32-bit units. Specifically, page access can occur when an access does not spread over a 32-bit boundary. The situations in which page access occurs are indicated by the letter (p) in Figure 15.8 and Figure 15.9.

In 8-bit bus space, the valid positions of data external to the chip are D7 to D0 and WR0# is used as the control signal, regardless of the endian mode.

Data Size	Access Address	Number of Access	Bus Cycle	Unit of Data	Address	Data Bus			
						D15	D8	D7	D0
8 bits	4n	One	First	8 bits	4n	7			0
	4n+1	One	First	8 bits	4n+1	7			0
	4n+2	One	First	8 bits	4n+2	7			0
	4n+3	One	First	8 bits	4n+3	7			0
16 bits	4n	Two	First	8 bits	4n	7			0
			Second	8 bits	4n+1 (p)	15			8
	4n+1	Two	First	8 bits	4n+1	7			0
			Second	8 bits	4n+2 (p)	15			8
	4n+2	Two	First	8 bits	4n+2	7			0
			Second	8 bits	4n+3 (p)	15			8
	4n+3	Two	First	8 bits	4n+3	7			0
			Second	8 bits	4n+4	15			8
32 bits	4n	Four	First	8 bits	4n	7			0
			Second	8 bits	4n+1 (p)	15			8
			Third	8 bits	4n+2 (p)	23			16
			Fourth	8 bits	4n+3 (p)	31			24
	4n+1	Four	First	8 bits	4n+1	7			0
			Second	8 bits	4n+2 (p)	15			8
			Third	8 bits	4n+3 (p)	23			16
			Fourth	8 bits	4n+4	31			24
	4n+2	Four	First	8 bits	4n+2	7			0
			Second	8 bits	4n+3 (p)	15			8
			Third	8 bits	4n+4	23			16
			Fourth	8 bits	4n+5 (p)	31			24
	4n+3	Four	First	8 bits	4n+3	7			0
			Second	8 bits	4n+4	15			8
			Third	8 bits	4n+5 (p)	23			16
			Fourth	8 bits	4n+6 (p)	31			24

(p): Page access (only when page access is enabled with the PRENB and PWENB bits in CSnMOD)

Figure 15.8 Data Alignment (Little Endian) in 8-Bit Bus Space

Data Size	Access Address	Number of Access	Bus Cycle	Unit of Data	Address	Data Bus			
						D15	D8	D7	D0
8 bits	4n	One	First	8 bits	4n	7			0
	4n+1	One	First	8 bits	4n+1	7			0
	4n+2	One	First	8 bits	4n+2	7			0
	4n+3	One	First	8 bits	4n+3	7			0
16 bits	4n	Two	First	8 bits	4n	15			8
			Second	8 bits	4n+1 (p)	7			0
	4n+1	Two	First	8 bits	4n+1	15			8
			Second	8 bits	4n+2 (p)	7			0
	4n+2	Two	First	8 bits	4n+2	15			8
			Second	8 bits	4n+3 (p)	7			0
	4n+3	Two	First	8 bits	4n+3	15			8
			Second	8 bits	4n+4	7			0
32 bits	4n	Four	First	8 bits	4n	31			24
			Second	8 bits	4n+1 (p)	23			16
			Third	8 bits	4n+2 (p)	15			8
			Fourth	8 bits	4n+3 (p)	7			0
	4n+1	Four	First	8 bits	4n+1	31			24
			Second	8 bits	4n+2 (p)	23			16
			Third	8 bits	4n+3 (p)	15			8
			Fourth	8 bits	4n+4	7			0
	4n+2	Four	First	8 bits	4n+2	31			24
			Second	8 bits	4n+3 (p)	23			16
			Third	8 bits	4n+4	15			8
			Fourth	8 bits	4n+5 (p)	7			0
	4n+3	Four	First	8 bits	4n+3	31			24
			Second	8 bits	4n+4	23			16
			Third	8 bits	4n+5 (p)	15			8
			Fourth	8 bits	4n+6 (p)	7			0

(p): Page access (only when page access is enabled with the PRENB and PWENB bits in CSnMOD)

Figure 15.9 Data Alignment (Big Endian) in 8-Bit Bus Space

15.5 Operation of CS Area Controller

15.5.1 Separate Bus

The various periods in the timing charts are described below.

The CS area controller (CSC) operates in synchronization with the external bus clock (BCLK). The operation cycles, such as wait cycles specified with the CSC register, are counted on BCLK. In the following description, frequencies of BCLK and BCLK pin output are the same, unless otherwise noted.

The external bus access is started at the rising edge of the BCLK pin output pulse. However, when the external bus clock (BCLK) frequency and BCLK pin output frequency are different, if two or more rounds of external bus access are generated in response to a single transfer request from the bus master, the second and subsequent rounds of the external bus access may be started at the falling edge of the BCLK pin output pulse according to the wait settings (see Figure 15.15 to Figure 15.19).

(a) Tw1 to Twn (Clock Cycles of Waiting for a Normal Read Cycle or Normal Write Cycle)

The period Tw1 to Twn is made up of the number of clock cycles between the start of access via the external bus clock and one cycle before the strobe signal is valid. The number of cycles is selectable within the range from zero to 31. Within this period, the timing of CSn#, RD#, and WRn# assertion (placing the signals at the low level) is determined by the respective wait settings. Specifically, the periods of waiting are controlled by the CS assert wait select bits (CSON), the RD assert wait select bits (RDON), the WR assert wait select bits (WRON), and the write data output wait select bits (WDON) in CSn wait control register 2 (CSnWCR2). The number of clock cycles for each of these periods of waiting is selectable as a value from zero to seven counted from the start of external bus access. Selectable numbers of cycles are also within the overall number of clock cycles of waiting for reading or writing.

(b) Tend (Clock Cycle where the Strobe Signal is Valid)

Tend is the next clock cycle after completion of the period of waiting for a normal cycle of reading or writing or for a cycle of page reading or page writing. If each wait select bit for a normal cycle of reading or writing or for a cycle of page reading or page writing is zero, the clock cycle where bus access starts is the clock cycle where the strobe signal is valid. The RD# and WRn# signals are negated in the next clock cycle after the cycle where the strobe signal is valid. In the case of read access, the clock cycle where the strobe signal is valid becomes the clock cycle where the data to be read are sampled.

If an external wait is enabled, the wait signal is sampled at the time of the cycle where the strobe signal is valid. The bus cycle is extended if the wait signal is at the low level. The bus cycle is completed in the next clock cycle if the wait signal is at the high level. (Tend) indicates the cycle where sampling of the wait signal starts.

After the first cycle where the strobe signal is valid during page access, second and subsequent page access operations (point (e) below) start in the next cycle except in cases of write access where a setting (other than zero) for write-data output extension clock cycles (point (d) below) has been made. If the setting for the RD or WR assertion wait is a value other than zero, the RD# and WRn# signals are negated in the next clock cycle. If the setting is zero, assertion continues. Furthermore, the CSn# signal continues to be asserted rather than being negated.

(c) Tn1 to Tnm (Clock Cycles of CS Extension)

In the case of normal access, Tn1 to Tnm represent the clock cycles of the period following the cycle where the strobe signal is valid (Tend) up to negation of the CSn# signal. For read or write access, the timing of negation can be controlled by the read-access CS extension cycle select bits (CSROFF) and the write-access CS extension cycle select bits (CSWOFF) in the CSn wait control register 2 (CSnWCR2), respectively.

The number of cycles is counted from the cycle following the cycle where the strobe signal is valid.

In the case of page access, Tn1 to Tnm represent the clock cycles of the period for the cycle following the last cycle where the strobe signal is valid up to negation of the CSn# signal.

For write access, setting the write data output extension cycle select bits (WDOFF) controls extension of the period where the address and output data are valid.

(d) Tdw1 to Tdwn (Write-Data Output Extension Clock Cycles)

For write access, if the setting for write-data output extension wait is a value other than zero, clock cycles of write-data output extension are inserted from the cycle that follows the cycle where the strobe signal is valid (Tend).

In the case of normal access, this is inserted within the period of clock cycles of CS extension (point (c) above).

In the case of page access, this is inserted within the period of the cycle where the strobe signal is valid and subsequent page access or within the period of clock cycles of CS extension (point (c) above). Valid address and data output are extended over this period, and the WRn# signal is negated.

(e) Tpw1 to TpwN (Page-Read Cycle Wait or Page-Write Cycle Wait)

For the second and subsequent bus cycles during page access, the values for a page-read cycle wait or page-write cycle wait are used instead of the settings for a normal read or write cycle wait. Setting the WR assert wait select bits becomes enabled in the same way as for the first round of access. How the setting for RD assertion controls operation depends on the setting for page-read access mode (the PRMOD bit in CSnMOD) as described below.

CSnMOD.PRMOD = 0: A wait until RD assertion is inserted in the same way as for the first round of access, and the RD# signal is negated.

CSnMOD.PRMOD = 1: Although a wait until RD assertion is inserted in the same way as for normal-access compatibility mode, the RD# signal continues to be asserted over this period.

(f) Tr1 to Trn (Recovery Cycles)

Recovery cycles can be inserted from the point where a bus cycle is completed (CSn# signal negation). The number of recovery cycles can be controlled by the setting of the read recovery (RRCV) or write recovery (WRCV) bits in the CSn recovery cycle register (CSnREC). Both numbers of recovery cycles are counted from the end of a bus cycle (CSn# negation) and can be selected from 0 to 15 cycles. For details on recovery cycles, see section 15.5.4, Insertion of Recovery Cycles.

(1) Normal Access

When the PRENB and PWENB bits in CSnMOD are set to 0 to disable page-read and page-write access, respectively, all bus accesses will take the form of normal read and write operations.

Even when the PRENB and PWENB bits in CSnMOD are set to 1 to enable page-read and page-write access, respectively, bus access other than page access will take the form of normal read and write operations.

Figure 15.10 to Figure 15.12 show the normal access operations.

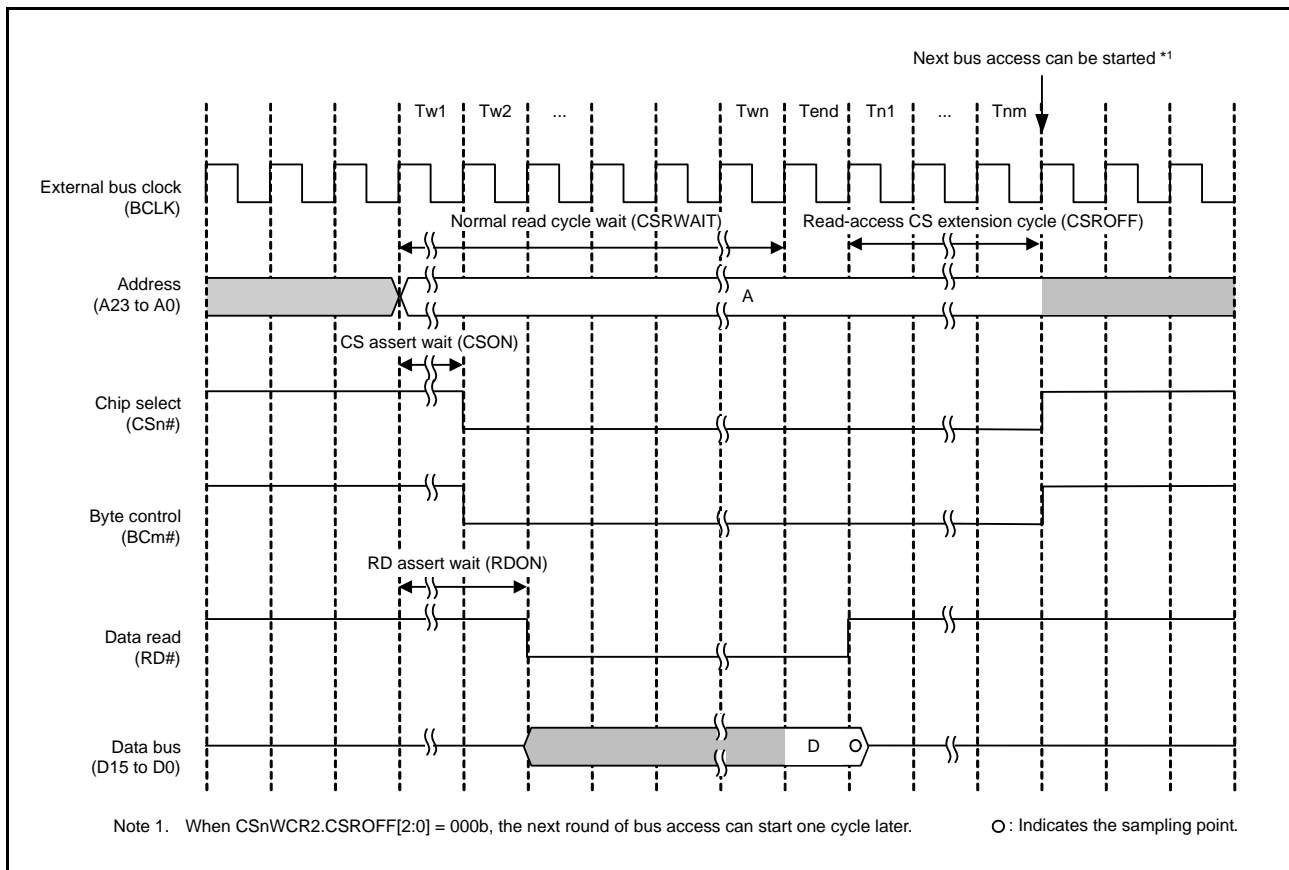


Figure 15.10 Bus Timing (Normal-Read Operation) (n = 0 to 3, m = 0, 1)

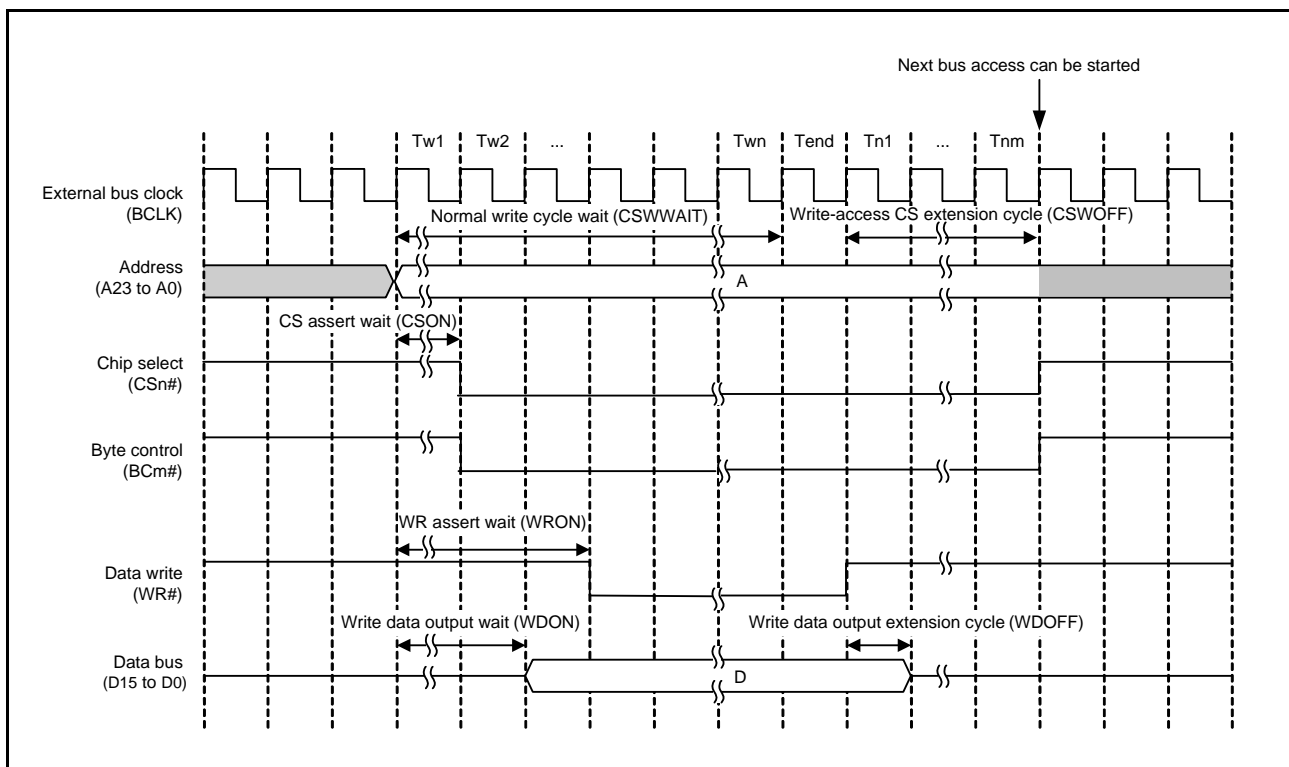


Figure 15.11 Bus Timing (Normal-Write Operation, Single Write Strobe Mode) (n = 0 to 3, m = 0, 1)

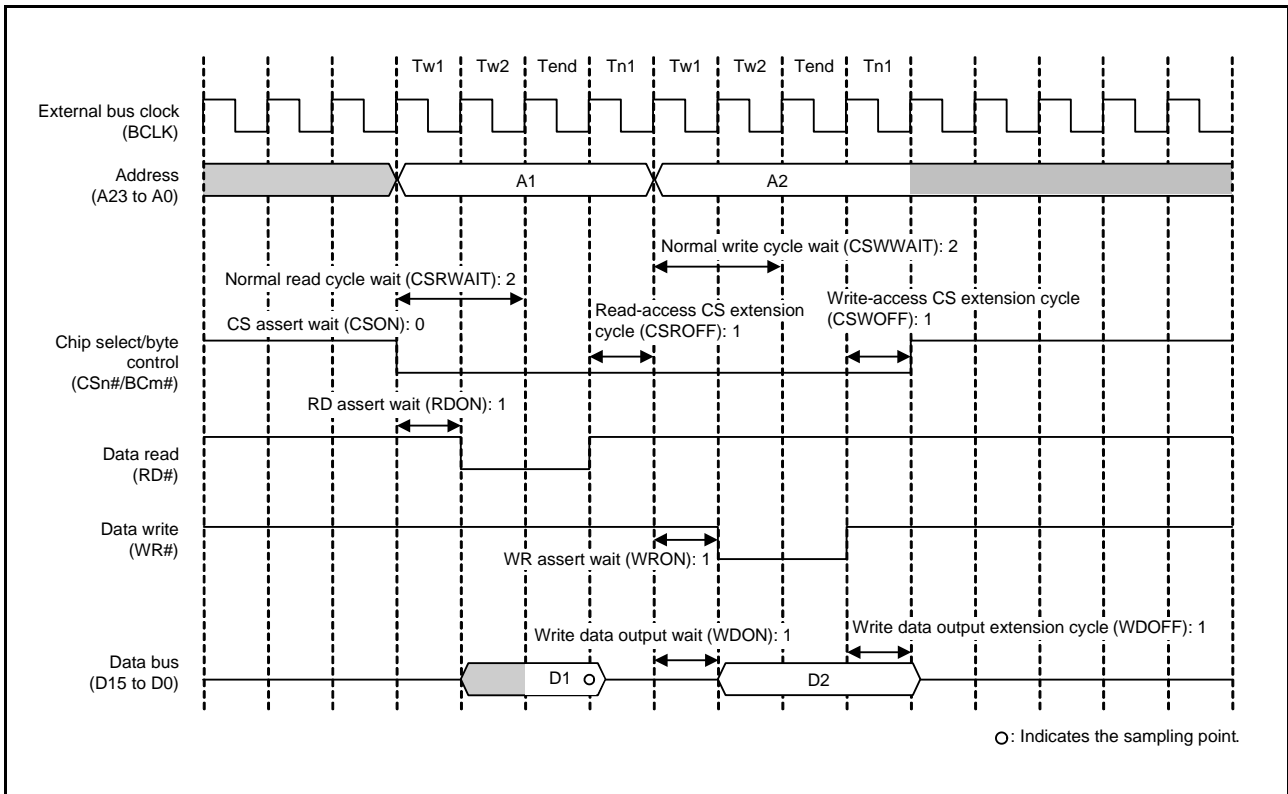


Figure 15.12 Example of Normal Access Operation (Read/Write) (n = 0 to 3, m = 0, 1)

When two or more rounds of external bus access are required in response to a single request for transfer from a bus master, normal access operations (steps (a) to (d) above) are repeated. Figure 15.13 and Figure 15.14 show examples of operations when two rounds of bus access are generated in response to a single request for transfer. If the recovery cycle insertion condition is satisfied, recovery cycles (step (f) above) are also inserted in the second and subsequent external bus accesses (see Figure 15.31).

The values of the wait control registers are example settings. In practice, set the register bits according to the specifications of connected devices.

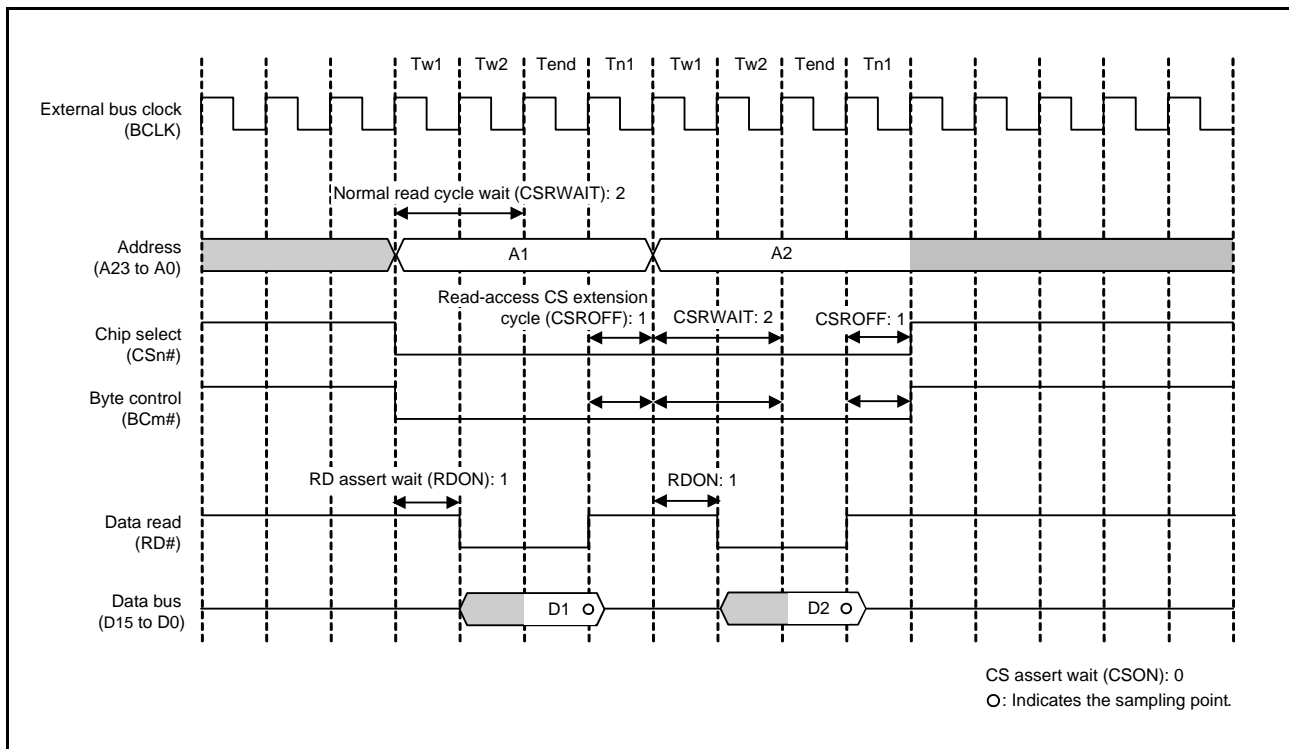


Figure 15.13 Example of Normal-Read Operation
 (when Two Rounds of Bus Access are Generated in Response to a Single Request for Transfer)
 (n = 0 to 3, m = 0, 1)

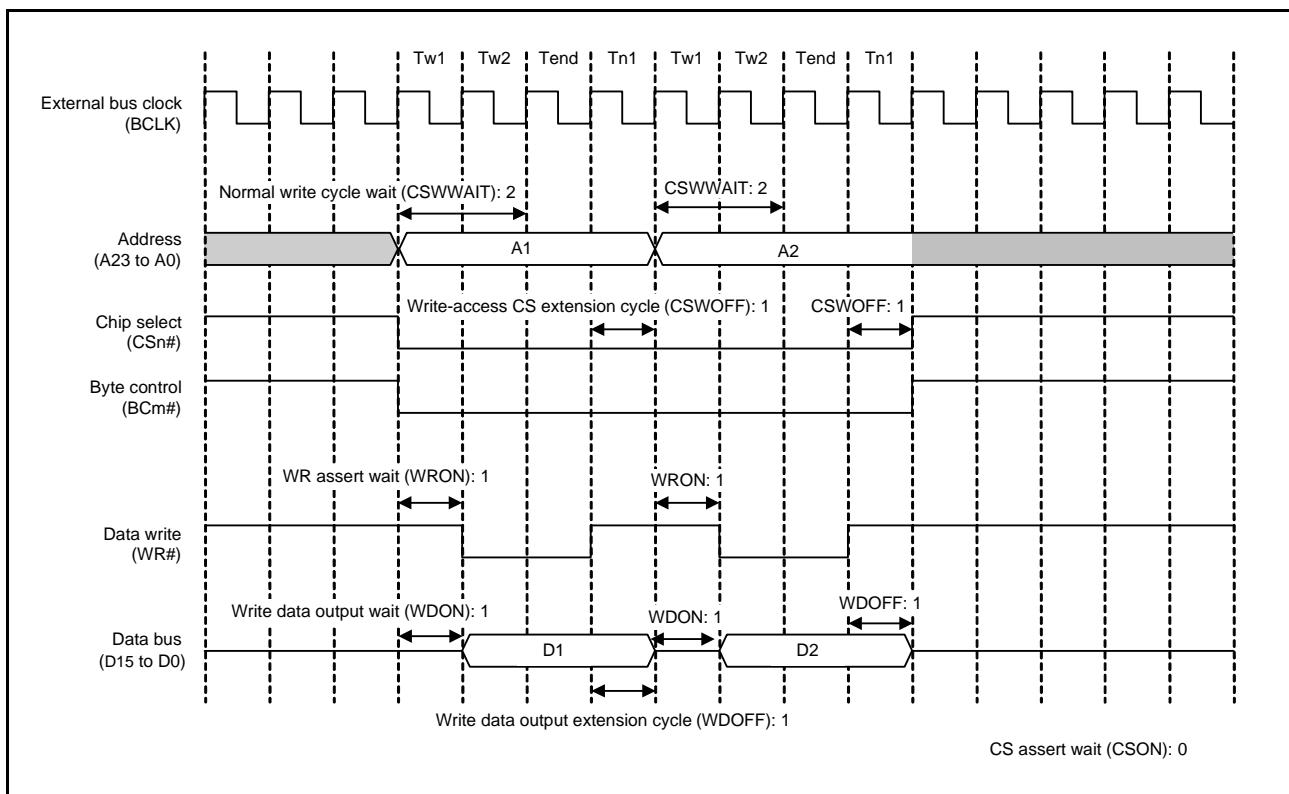


Figure 15.14 Example of Normal-Write Operation
 (when Two Rounds of Bus Access are Generated in Response to a Single Request for Transfer, in Single Write Strobe Mode)
 (n = 0 to 3, m = 0, 1)

Figure 15.15 to Figure 15.19 show examples of normal accesses made with the 1/2 BCLK selected with the BCLK pin output select bit.

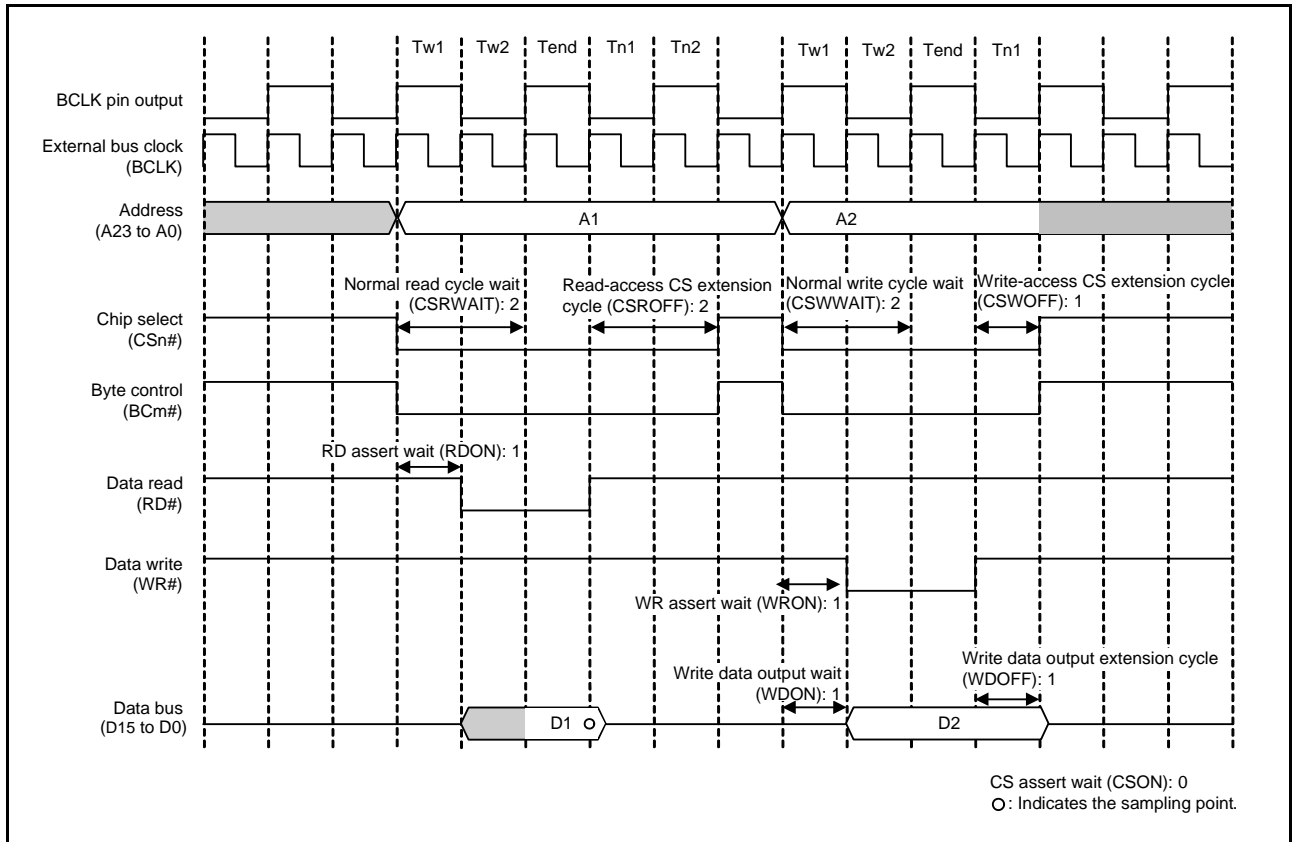


Figure 15.15 Example of Normal Access
(when 1/2 BCLK is Selected with the BCLK Pin Output Select Bit) (n = 0 to 3, m = 0, 1)

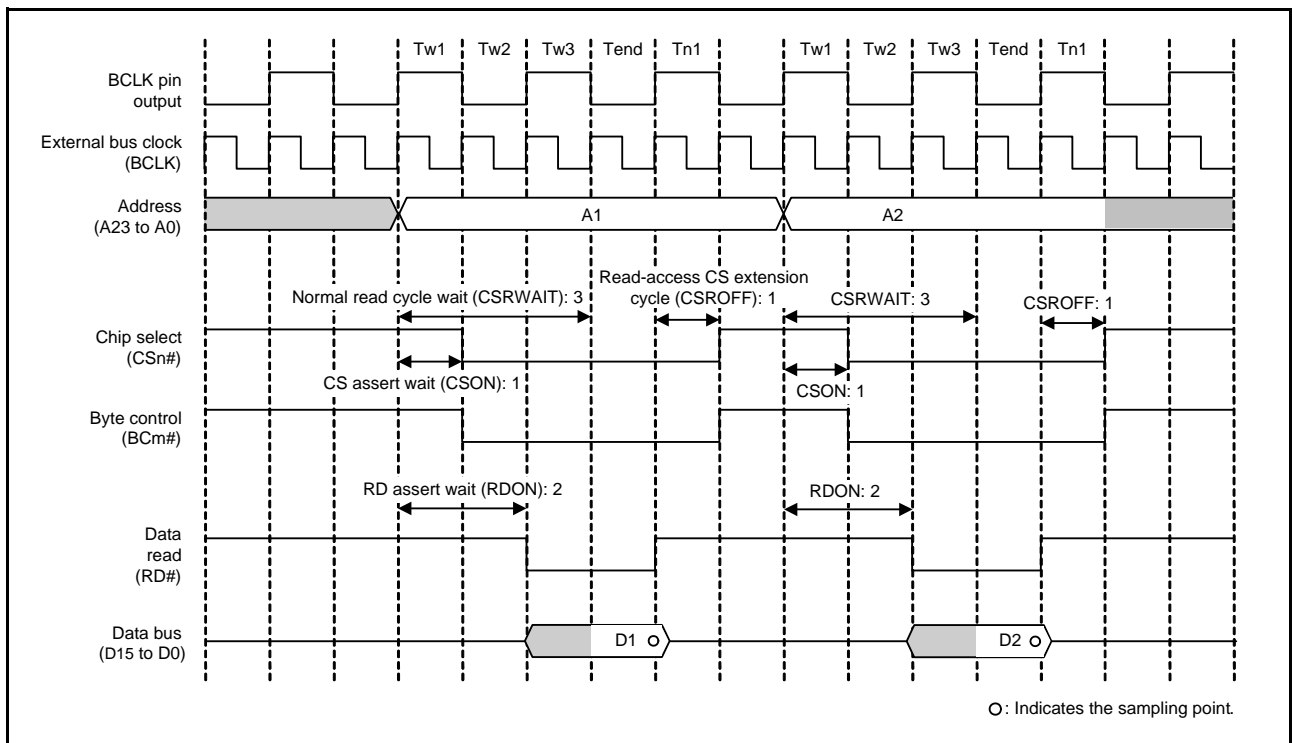


Figure 15.16 Example of Normal-Read Operation
(when 1/2 BCLK is Selected with the BCLK Pin Output Select Bit) (n = 0 to 3, m = 0, 1)

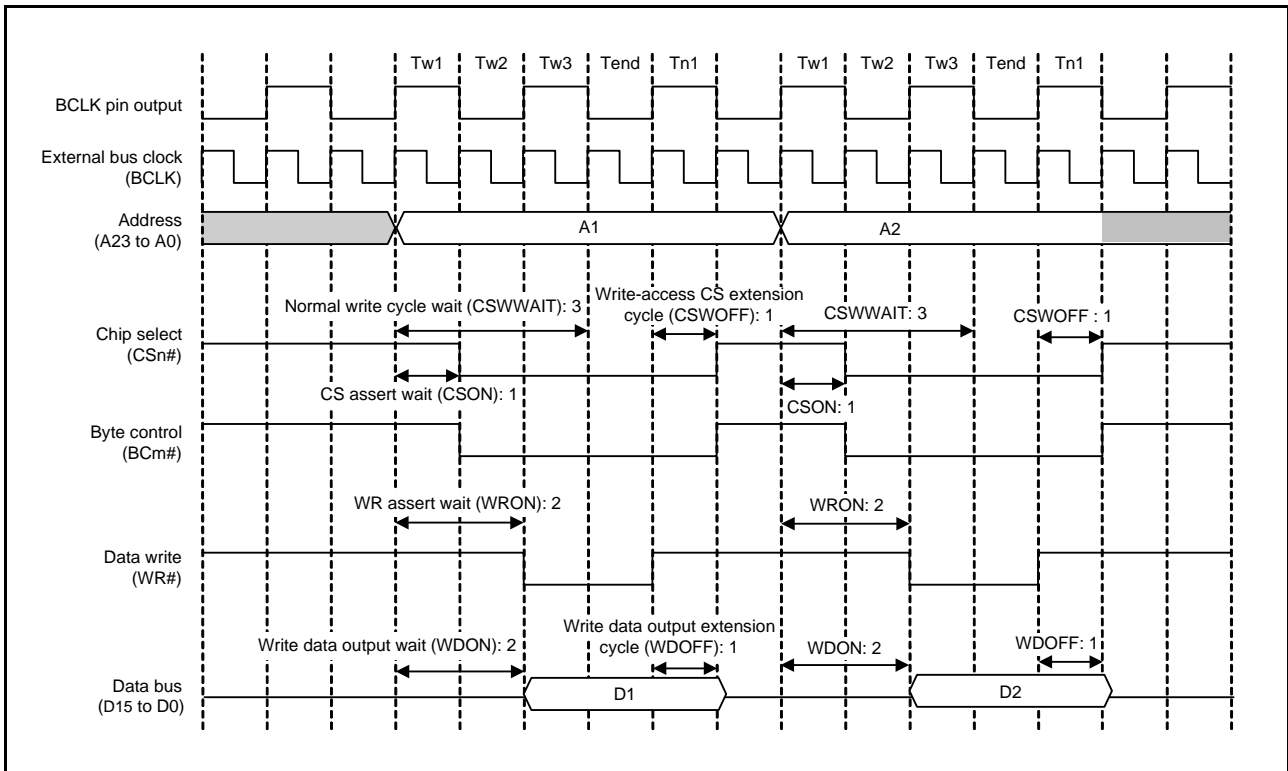


Figure 15.17 Example of Normal-Write Operation
 (when 1/2 BCLK is Selected with the BCLK Pin Output Select Bit) (n = 0 to 3, m = 0, 1)

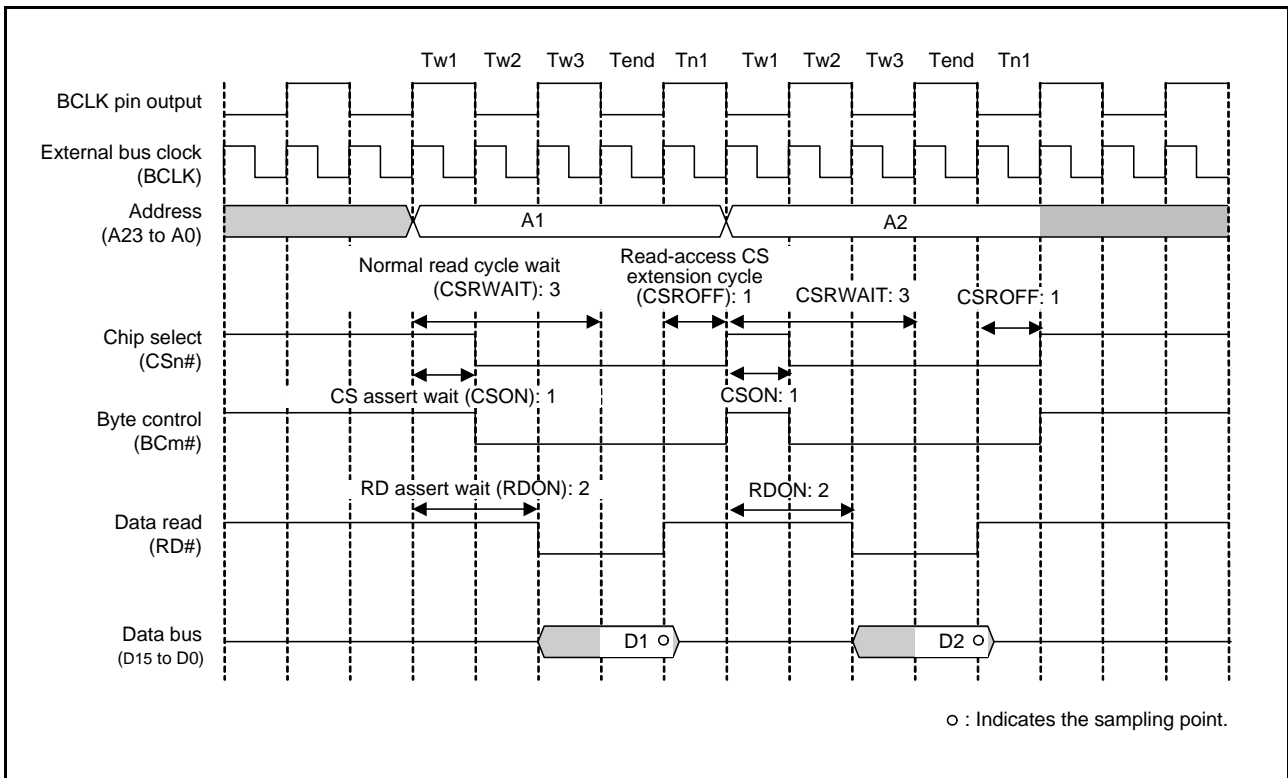


Figure 15.18 Example of Normal-Read Operation
 (when 1/2 BCLK is Selected with the BCLK Pin Output Select Bit and Two Rounds of Bus Access are Generated in Response to a Single Request for Transfer) (n = 0 to 3, m = 0, 1)

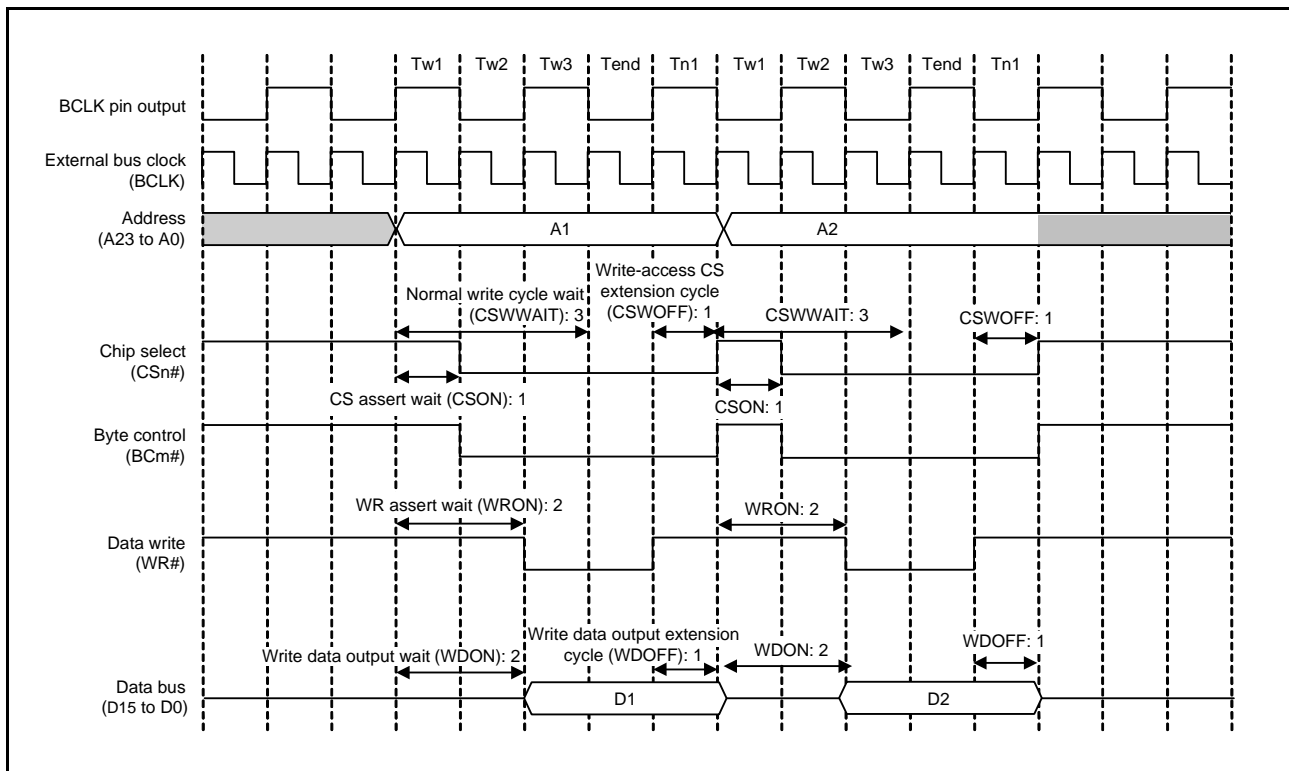


Figure 15.19 Example of Normal-Write Operation
(when 1/2 BCLK is Selected with the BCLK Pin Output Select Bit and Two Rounds of Bus Access are Generated in Response to a Single Request for Transfer) (n = 0 to 3, m = 0, 1)

(2) Page Access

When the PRENB and PWENB bits in CSnMOD are set to 1 to enable page-read and page-write access, respectively, the bus access for page access operations becomes page reading and writing. Specifically, page access can occur when two or more rounds of external bus access are required for a single transfer request from the bus master. However, normal access is made when the split accesses are not aligned or the access spreads over the 32-bit boundary. See Figure 15.6 to Figure 15.9 for the conditions under which page access occurs.

Figure 15.20 and Figure 15.21 show examples of page access operations.

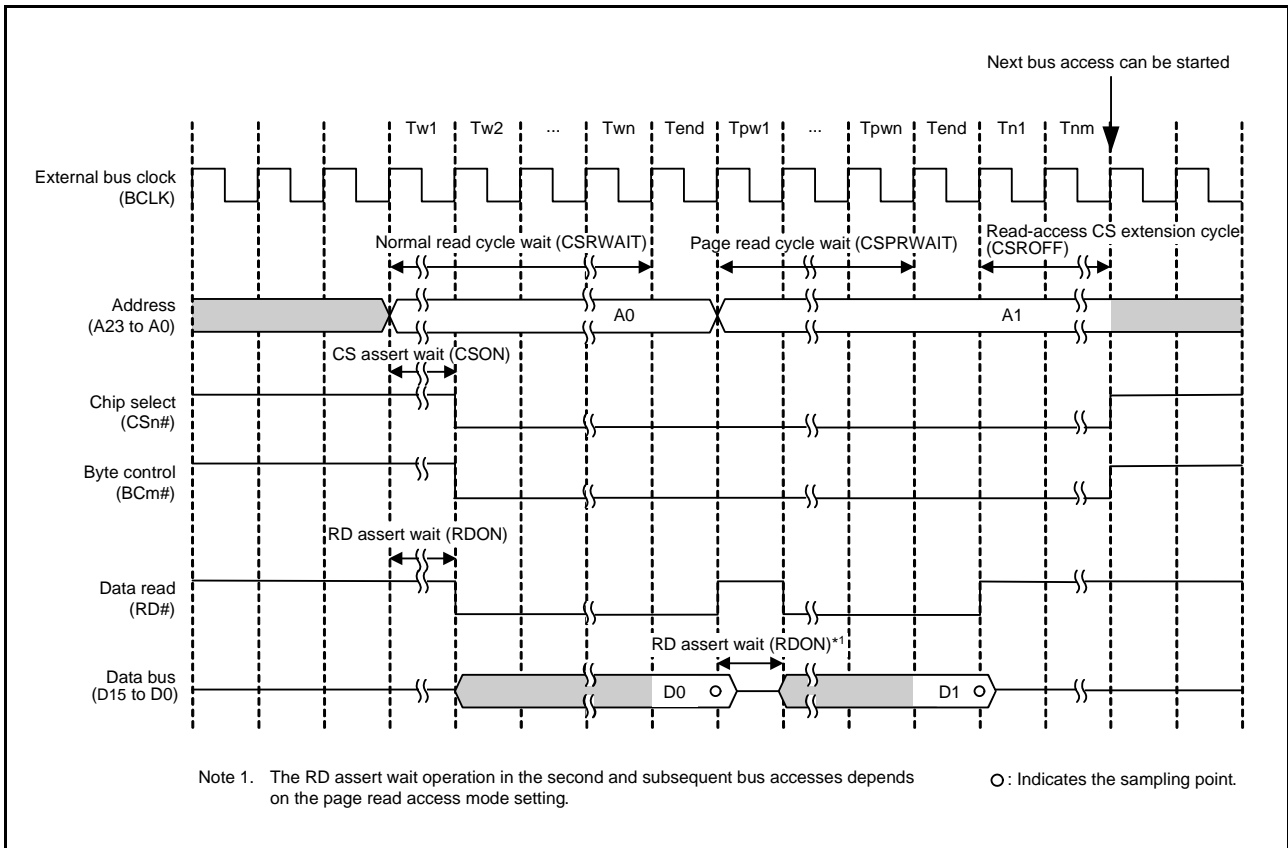


Figure 15.20 Page-Read Access Timing (n = 0 to 3, m = 0, 1)

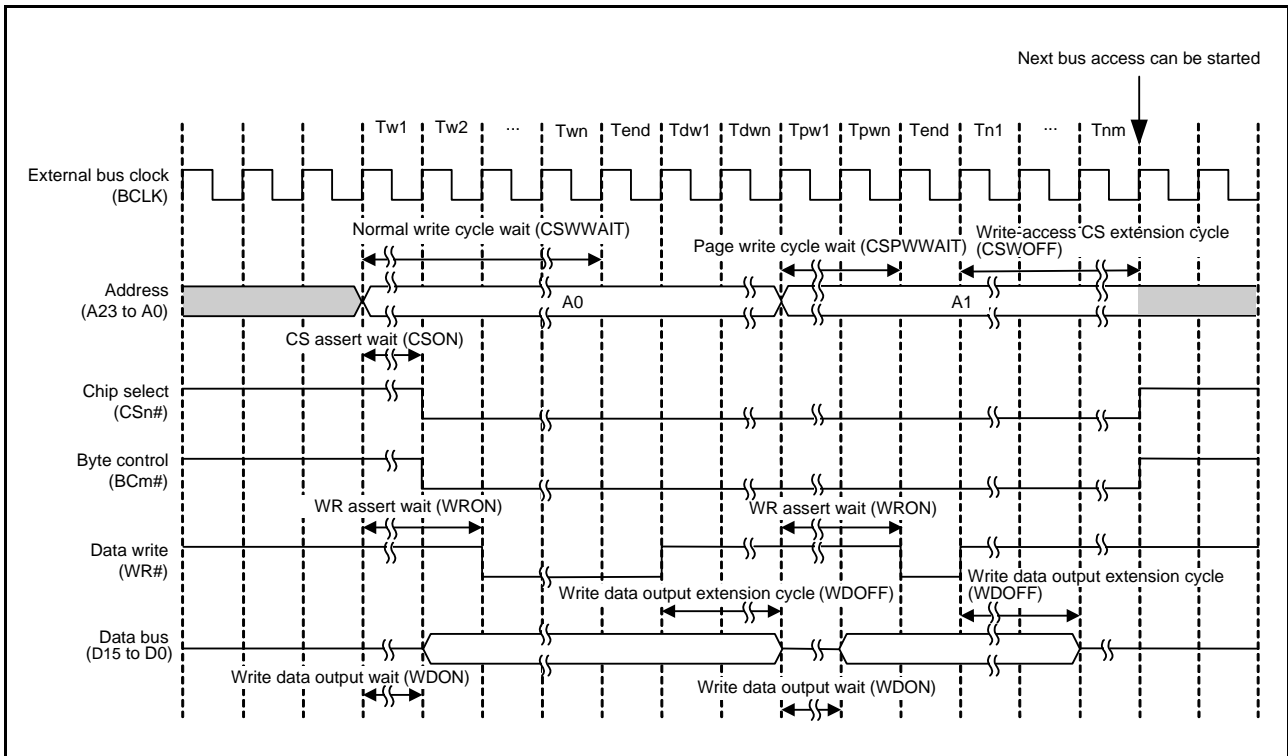


Figure 15.21 Page-Write Access Timing (n = 0 to 3, m = 0, 1)

Figure 15.22 and Figure 15.23 show examples of page access operations performed with the 1/2 BCLK selected with the BCLK pin output select bit.

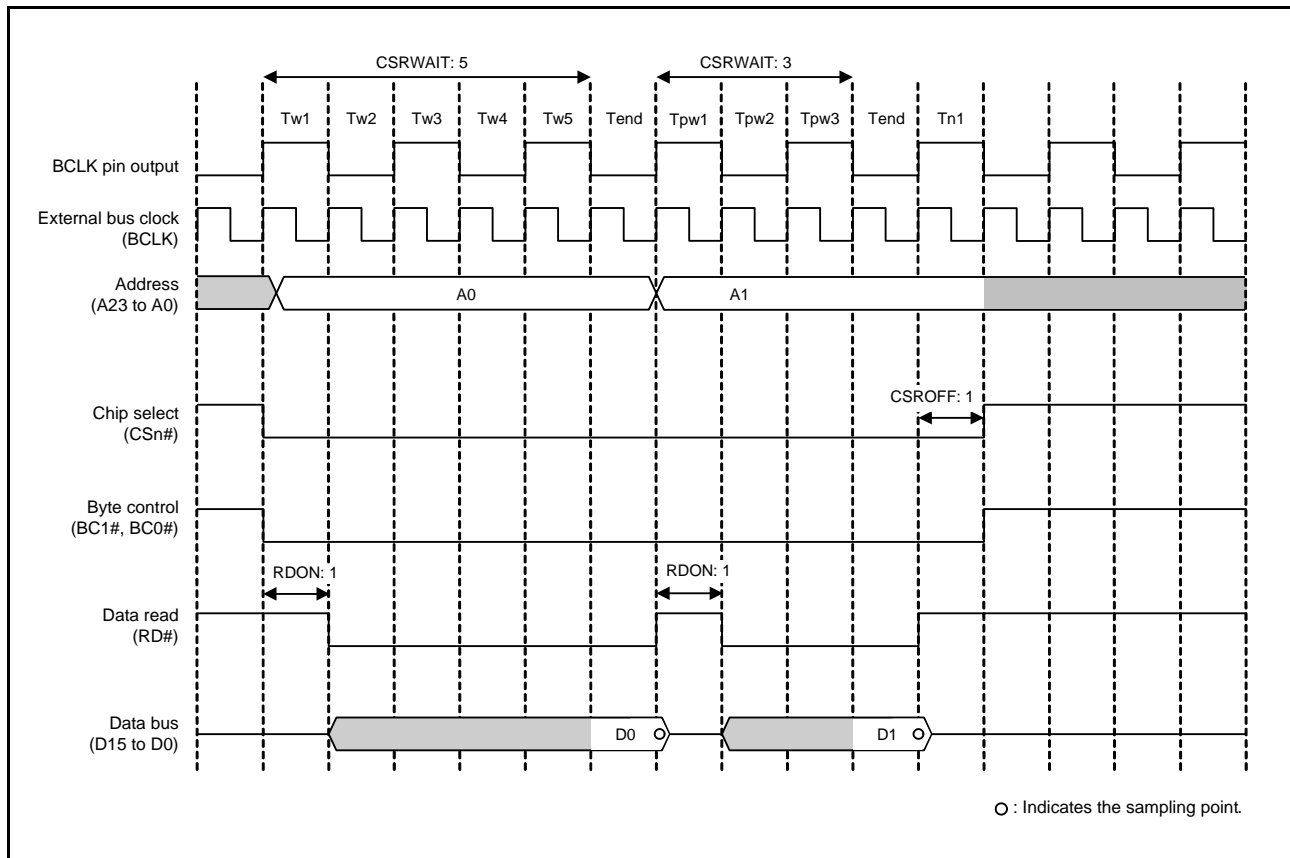


Figure 15.22 Example of Page Read Access Operation (when 1/2 BCLK is Selected with the BCLK Pin Output Select Bit and Two Rounds of Bus Access are Generated in Response to a Single Request for Transfer) (n = 0 to 3)

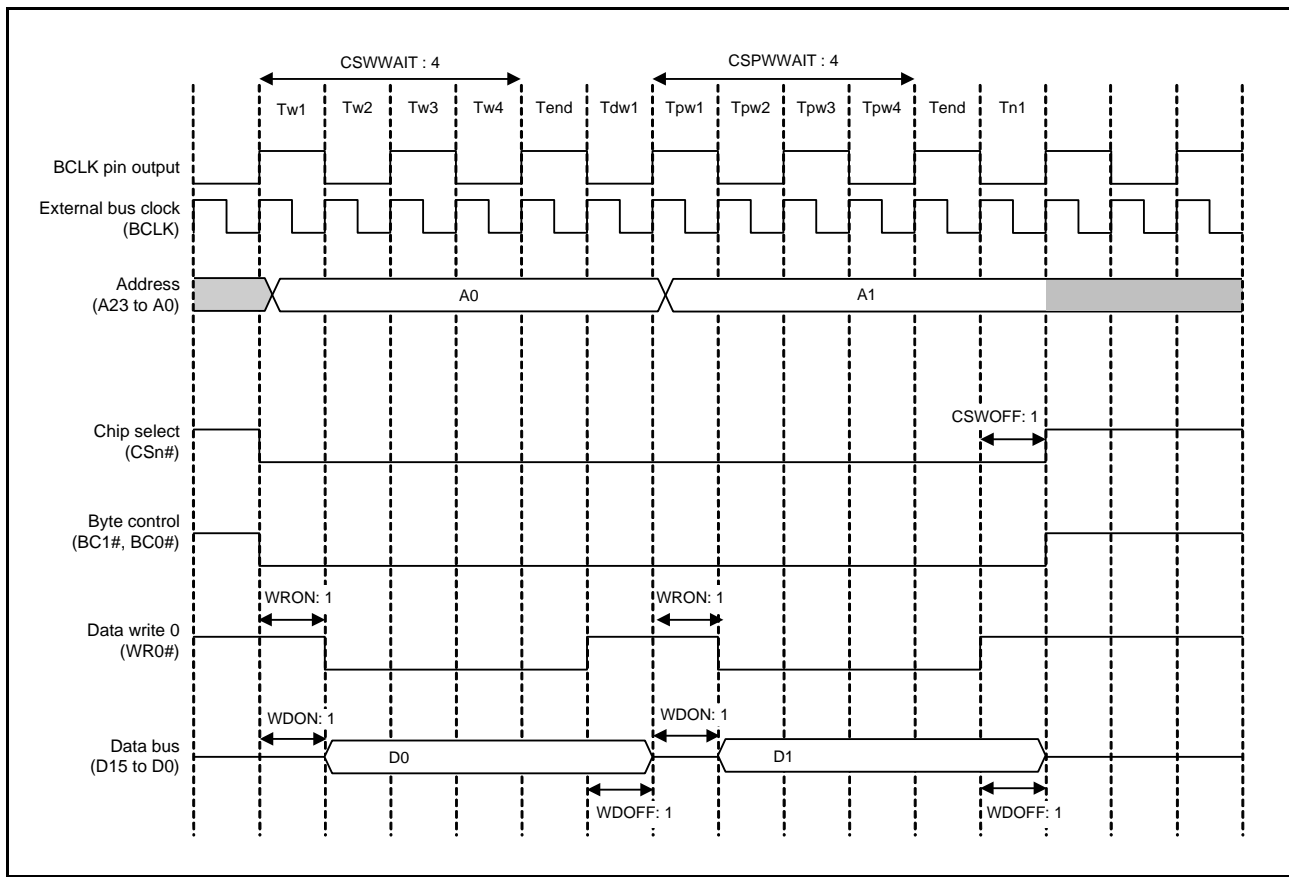


Figure 15.23 Example of Page Write Access Operation
 (when 1/2 BCLK is Selected with the BCLK Pin Output Select Bit and Two Rounds of Bus Access are Generated in Response to a Single Request for Transfer, in Single Write Strobe Mode) (n = 0 to 3)

15.5.2 Address/Data Multiplexed Bus

When the address/data multiplexed I/O interface select bit (MPXEN) in CSnCR is set to 1, addresses and data can be multiplexingly input/output to/from the D15 to D0 pins in the corresponding area. Using this function enables direct connection of this LSI to peripheral LSIs requiring address/data multiplexing. When 8-bit width is selected with the BSIZE[1:0] bits in CSnCR, D7 to D0 are multiplexed with A7 to A0. When 16-bit width is selected, D15 to D0 are multiplexed with A15 to A0. In the address/data multiplexed I/O space, accesses are controlled with the ALE, RD#, WRn#, and BCn# signals.

Byte strobe mode or single-write strobe mode is selectable in the same way as for a separate bus. However, with regard to the BCn# signals within the address cycle, the byte-control signal is output for the data being read or written.

During the address/data multiplexed I/O space access, after the number of wait cycles specified by the address cycle wait select bits (AWAIT[1:0]) in CSnWCR2 is inserted in the address output cycle, data access is performed.

- Ta1 to Tan (Address Cycle Wait)

The period Ta1 to Tan is valid only when the address/data multiplexed I/O space is specified. This period is made up of the number of clock cycles between the start of external bus access and one cycle before the address latch (ALE) signal is negated. The number of cycles is selectable within the range from zero to three. Addresses are output until the next cycle of ALE signal negation (address cycle). The timing of ALE signal is the same as that of CS# assertion. After the address cycle, a data cycle is started. CSnWCR1 and CSnWCR2 should be set so that an address cycle and a data cycle do not overlap.

Page access to the address/data multiplexed I/O space is invalid. When the PRENB or PWENB bit in CSnMOD is set to 1 to enable page-read or page-write access, these settings are ignored and normal read or write operation is performed.

Figure 15.24 to Figure 15.26 show examples of operations with the address/data multiplexed I/O interface.

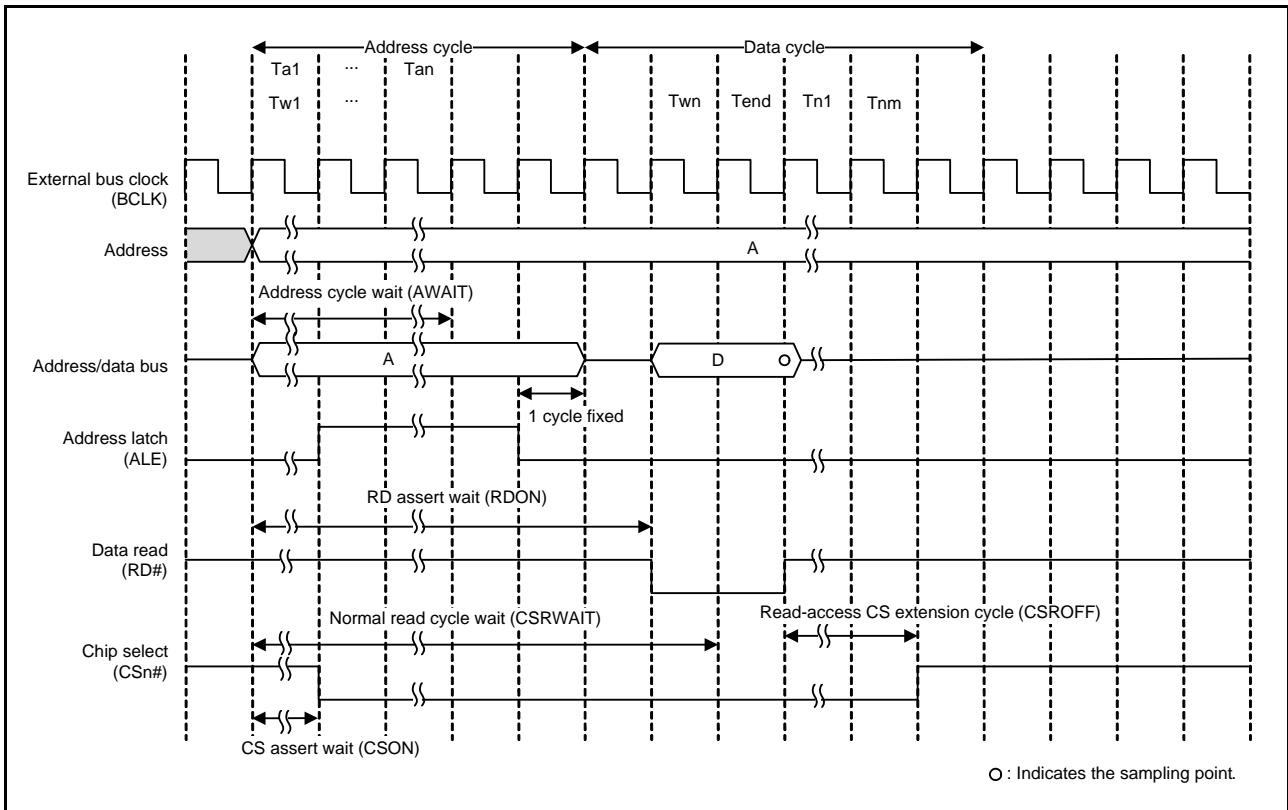


Figure 15.24 Example of Read Access Operation (with Address/Data Multiplexed I/O Interface) ($n = 0$ to 3)

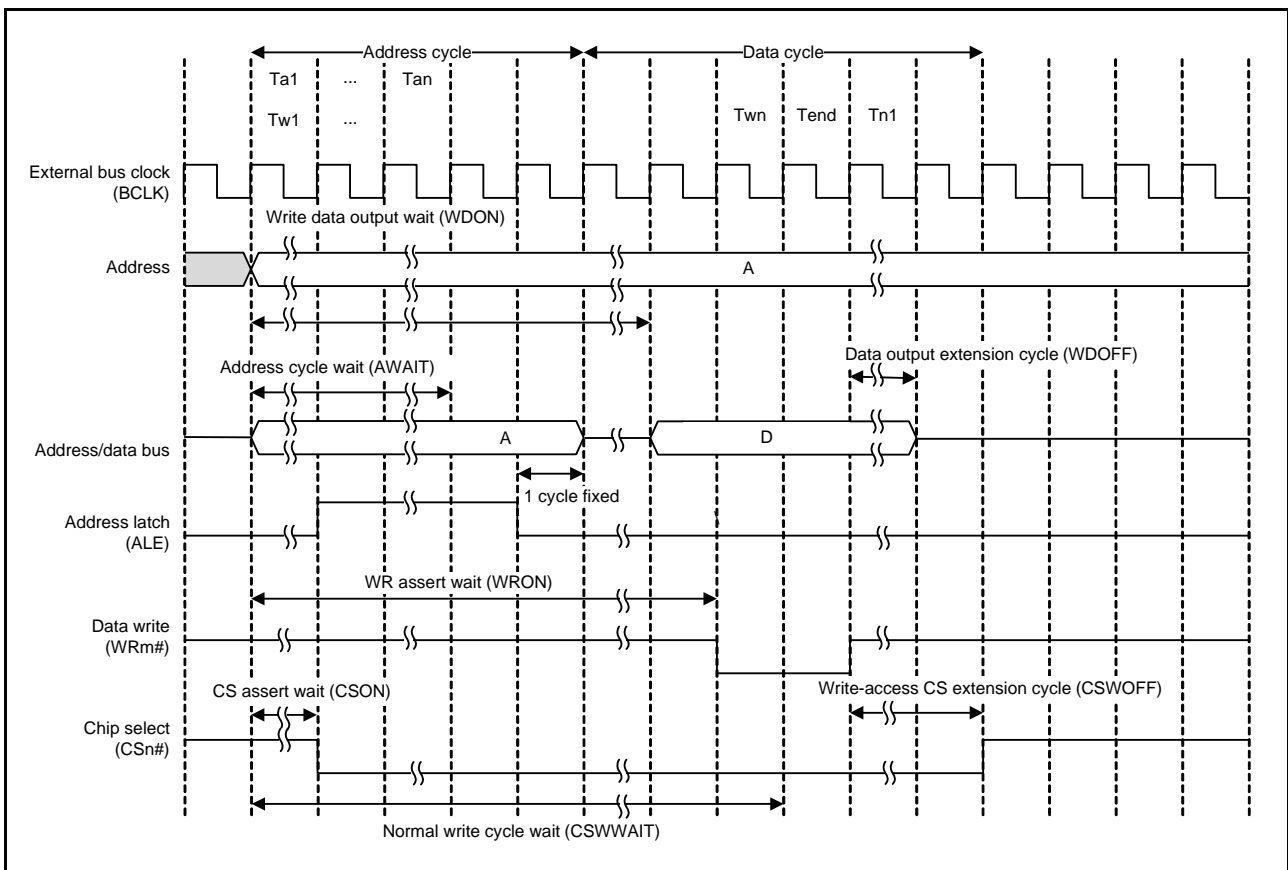


Figure 15.25 Example of Write Access Operation (with Address/Data Multiplexed I/O Interface; $n = 0$ to 3 , $m = 0$, 1)

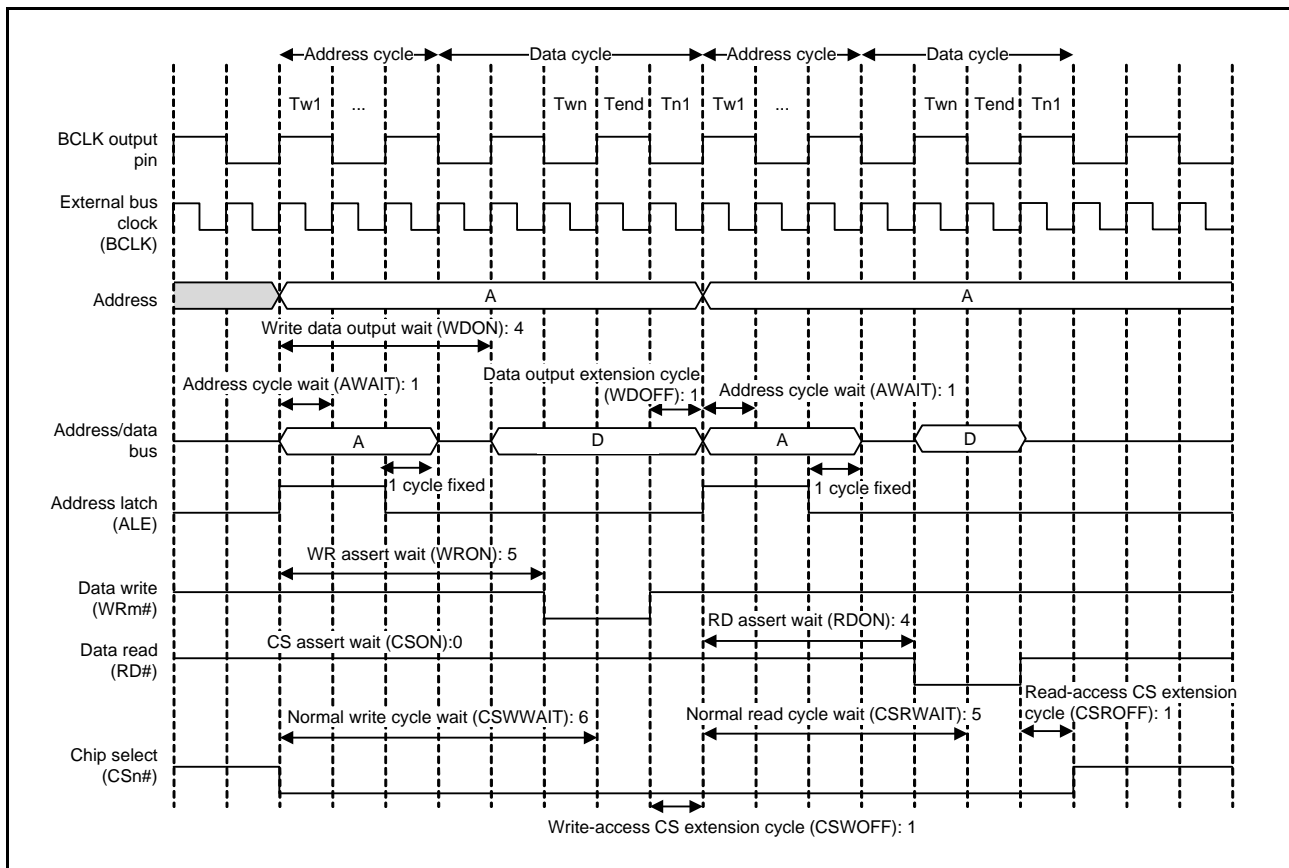


Figure 15.26 Example of Bus Timing (with Address/Data Multiplexed I/O Interface; n = 0 to 3, m = 0, 1)

15.5.3 External Wait Function

Wait cycles can be extended by the WAIT# signal over the length of normal access cycle wait (specified by the CSRWAIT[4:0] and CSWAIT[4:0] bits in CSnWCR1) and page access cycle wait (specified by the CSPRWAIT[2:0] and CSPWWAIT[2:0] bits in CSnWCR1).

When external wait is enabled (the EWENB bit = 1 in CSnMOD), wait cycles are inserted while the WAIT# signal is held low. When external wait is disabled (the EWENB bit = 0 in CSnMOD), the WAIT# signal has no effect.

All wait cycles specified in CSnWCR1 are inserted independently of the WAIT# signal.

(1) Normal Access

Sampling of the WAIT# signal begins upon completion of the wait cycle (Tend) specified in CSnWCR1. The bus cycle is extended while the WAIT# signal is held low. The wait cycle ends (Tend) at the next cycle after the WAIT# signal becomes high.

(2) Page Access

The first access operation is the same as the normal access operation. Sampling of the WAIT# signal begins upon completion of the wait cycle (Tend) specified in the CSnWCR1 register. The bus cycle is extended while the WAIT# signal is held low. The wait cycle ends (Tend) at the next cycle after the WAIT# signal becomes high.

With respect to the second and subsequent accesses, sampling of the WAIT# signal begins upon completion of the wait cycle of the page access (Tend). The wait cycle of the page access is extended while the WAIT# signal is held low, and ends (Tend) at the next cycle after the WAIT# signal becomes high.

Figure 15.27 and Figure 15.28 show examples of external wait insertion timing with the separate bus interface.

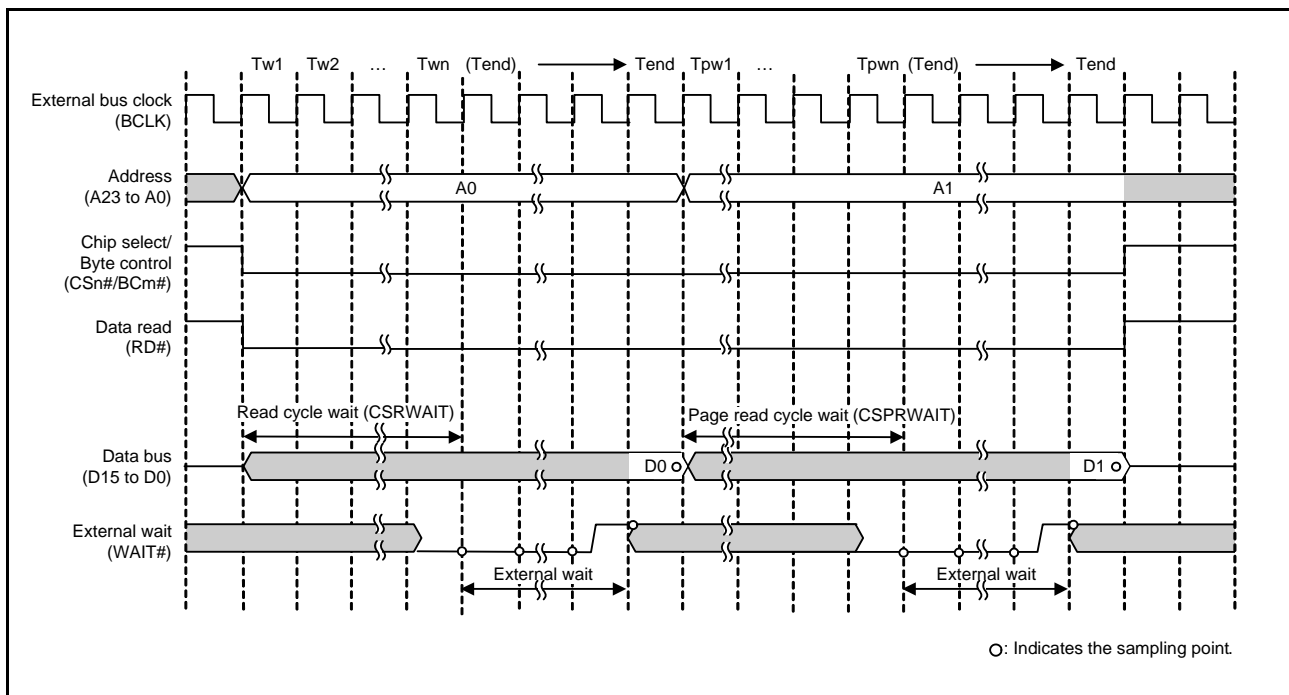


Figure 15.27 Example of External Wait Timing (Page-Read Access to 16-Bit Bus Space) (n = 0 to 3, m = 0, 1)

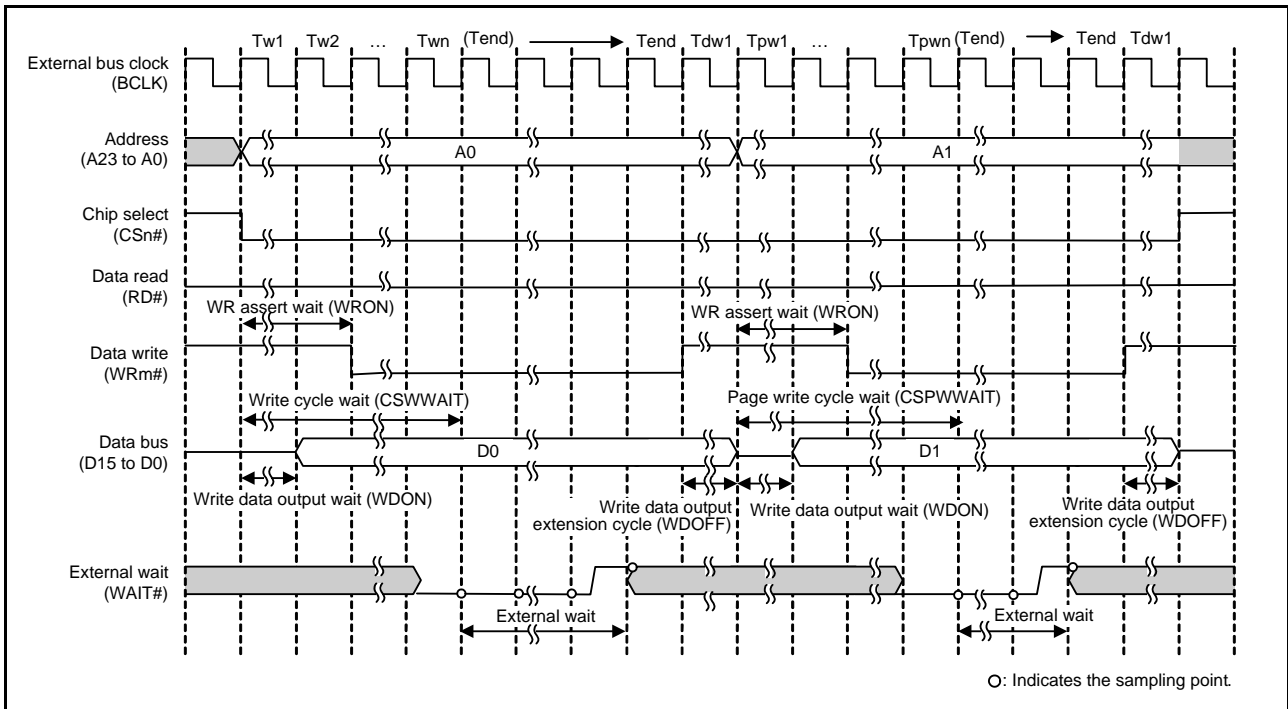


Figure 15.28 Example of External Wait Timing (Page-Write Access to 16-Bit Bus Space, in Byte Strobe Mode) (n = 0 to 3, m = 0, 1)

(3) Address/Data Multiplexed I/O Interface

In a data cycle with the address/data multiplexed I/O interface, programmed waits and pin waits using the WAIT pin can be inserted in the same way as that with the separate bus interface.

Address cycles are not affected by the wait control settings. Figure 15.29 shows an example of external wait insertion timing with the address/data multiplexed I/O interface.

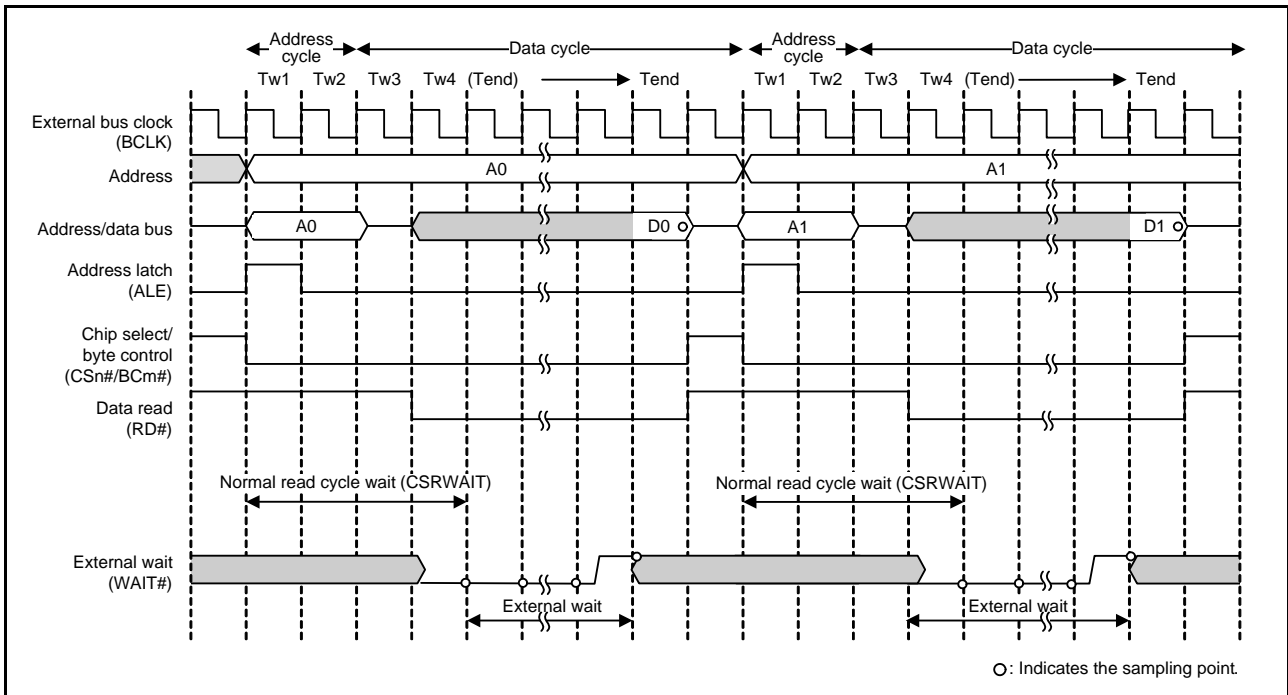


Figure 15.29 Example of External Wait Insertion Timing (with Address/Data Multiplexed I/O Interface; n = 0 to 3, m = 0, 1)

15.5.4 Insertion of Recovery Cycles

Recovery cycles can be inserted between consecutive rounds of external bus access by setting the recovery cycle insertion enable bit in CSRECEN to 1.

The number of recovery cycles to be inserted after read cycles and write cycles can be separately set for each area using CSnREC. When the preceding bus cycle is a write access, the number of write recovery cycles should be set with the WRCV[3:0] bits for the area. When the preceding bus cycle is a read access, the number of read recovery cycles should be set with the RRCV[3:0] bits for the area. For example, when CS1 read access occurs after CS0 read access, the number of recovery cycles to be inserted between them is set by the RRCV[3:0] bits in CS0REC.

Recovery cycles can be inserted on any of the following eight conditions. The recovery cycle insertion can be enabled or disabled with the RCVENj (j = 0 to 7) in CSRECEN when the preceding bus access is a separate bus access, and with RCVENMj (j = 0 to 7) when the preceding bus access is an address/data multiplexed bus access.

- After a read access to the external bus, a read access is made to the external bus in the same area.
- After a read access to the external bus, a read access is made to the external bus in a different area.
- After a read access to the external bus, a write access is made to the external bus in the same area.
- After a read access to the external bus, a write access is made to the external bus in a different area.
- After a write access to the external bus, a read access is made to the external bus in the same area.
- After a write access to the external bus, a read access is made to the external bus in a different area.
- After a write access to the external bus, a write access is made to the external bus in the same area.
- After a write access to the external bus, a write access is made to the external bus in a different area.

The recovery cycle starts at the end of the preceding bus cycle, i.e. when the CSn# signal (n = 0 to 3) is negated. A high-level period of the CSn# signal is inserted for the specified recovery cycle period starting from this point.

The CSn# signal for the next round of bus access is asserted immediately after the end of recovery cycles in the fastest case. Even if the next request for access to an external address space is generated during the recovery period, the next round of access over the external bus will start immediately after the end of recovery cycles.

When two or more external bus access cycles are required for a single transfer request from a bus master and the recovery cycle insertion condition is satisfied, recovery cycles are also inserted between these bus access cycles.

However, when page read access is enabled (CSnMOD.PRENB = 1) or page write access is enabled (CSnMOD.PWENB = 1), recovery cycles are not inserted except after the last bus access cycle of the transfer even if the recovery cycle insertion condition is satisfied (Figure 15.32). Similarly, during normal accesses with page access enabled, recovery cycles are not inserted between bus access cycles but inserted only after the last bus access cycle of the transfer.

Similarly, during normal accesses with page access enabled, with the separate bus interface, recovery cycles are not inserted between bus access cycles but inserted only after the last bus access cycle of the transfer. With the address/data multiplexed I/O interface, when the recovery cycle insertion condition is satisfied, recovery cycles are inserted between bus access cycles regardless of the page access enable setting.

Figure 15.30 to Figure 15.32 show examples of recovery cycle insertion with the separate bus interface.

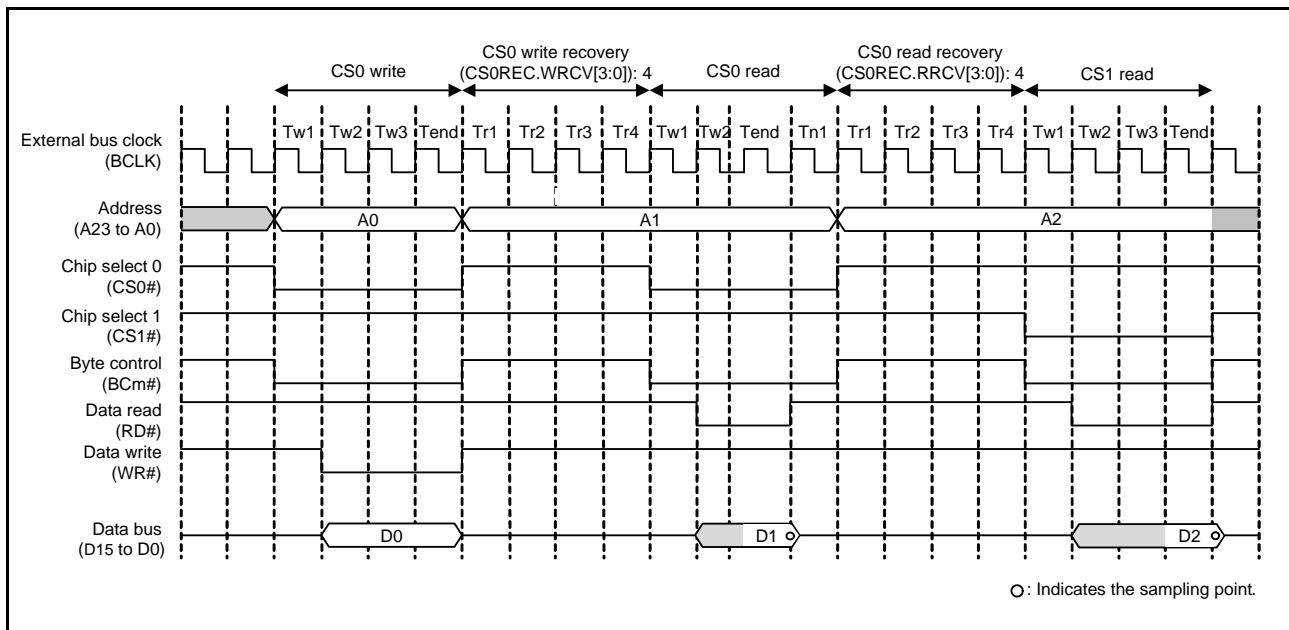


Figure 15.30 Example of Recovery Cycle Insertion (with Separate Bus Interface) (m = 0, 1)

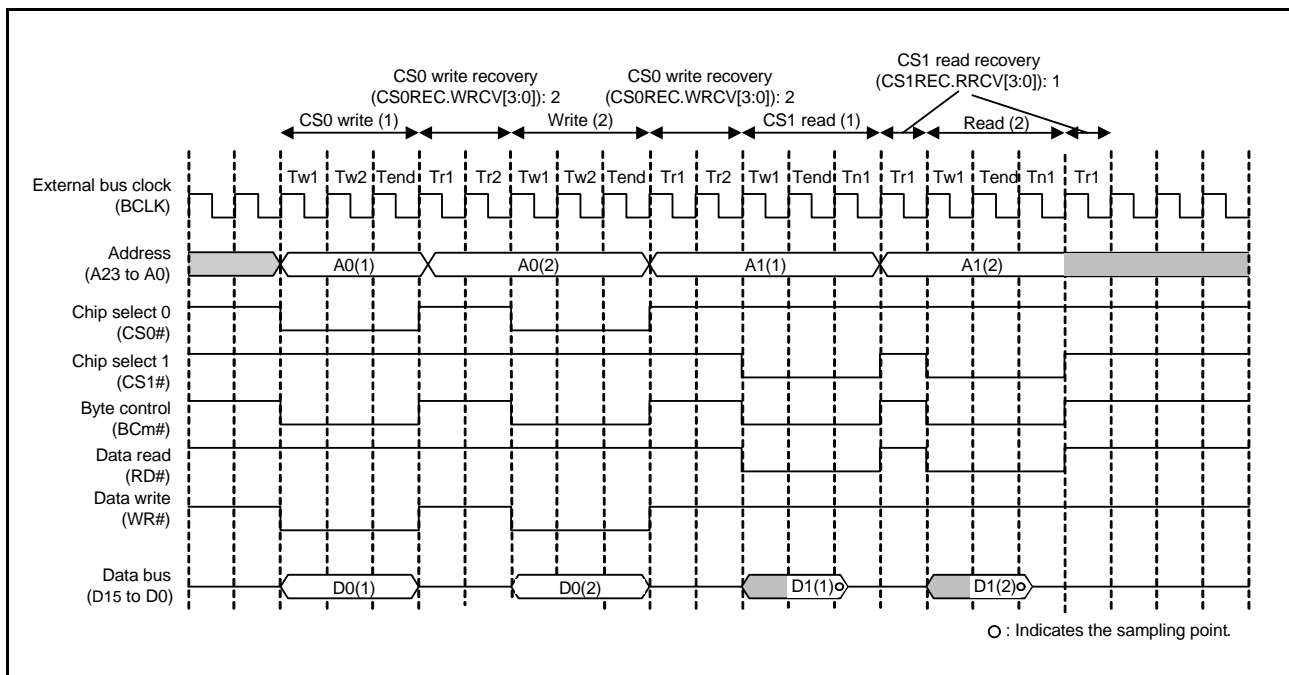


Figure 15.31 Example of Recovery Cycle Insertion When a Bus Access is Split (with Separate Bus Interface, Normal Access) (m = 0, 1)

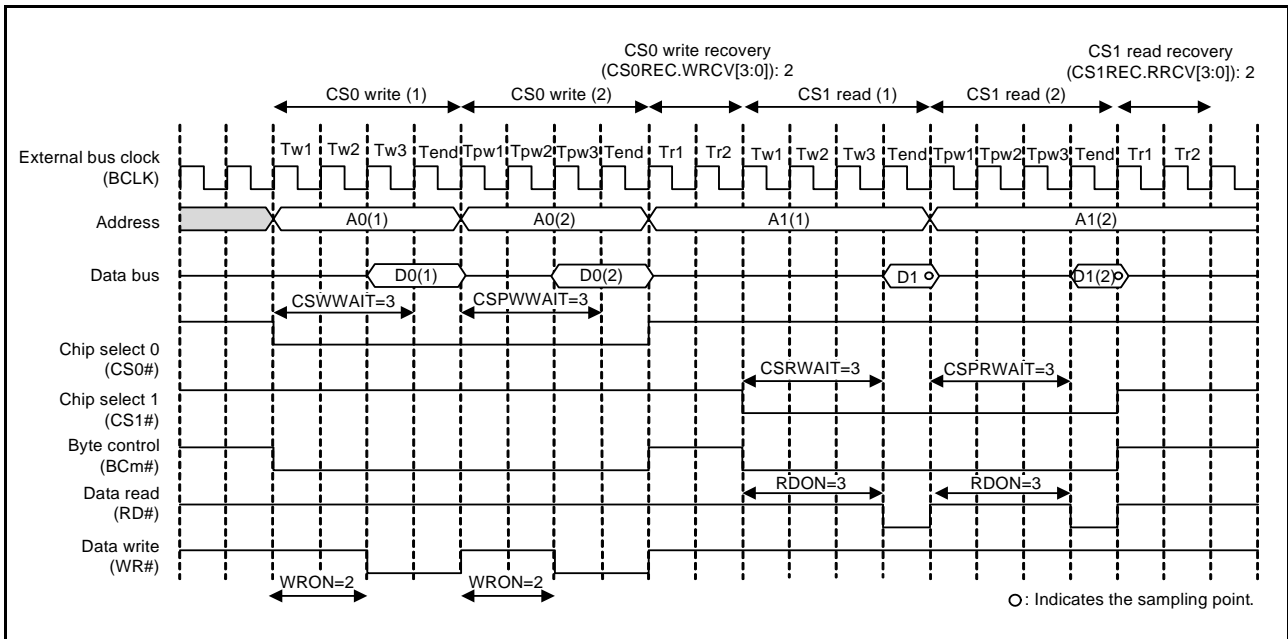


Figure 15.32 Example of Recovery Cycle Insertion When a Bus Access is Split (with Separate Bus Interface, Page Access) (m = 0, 1)

Figure 15.33 shows examples of operations when the BCLK pin output select bits are set for frequency-division of BCLK by 2.

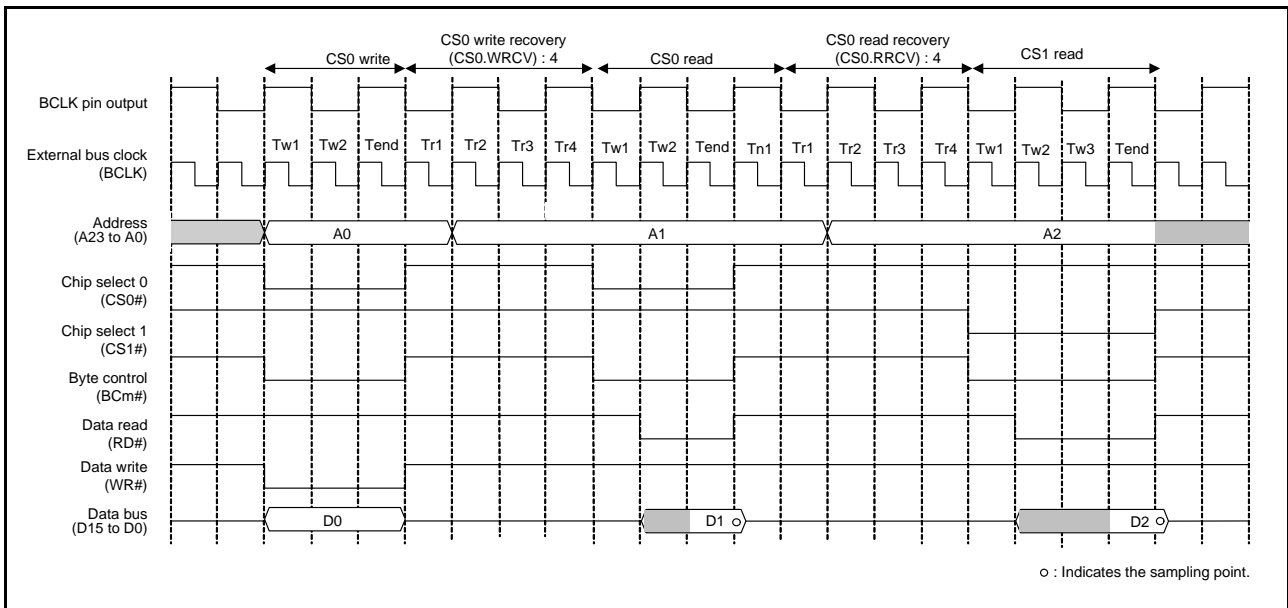


Figure 15.33 Example of Operation for Recovery Cycles when the BCLK Pin Output Select Bits Are Set for Frequency-Division of BCLK by 2 (For the Case of Normal Access Through a Separate Bus Interface; m = 0, 3)

With the address/data multiplexed I/O interface, recovery cycles are inserted in the same way as that with the separate bus interface. Figure 15.34 and Figure 15.35 show examples of recovery cycle insertion with the address/data multiplexed I/O interface.

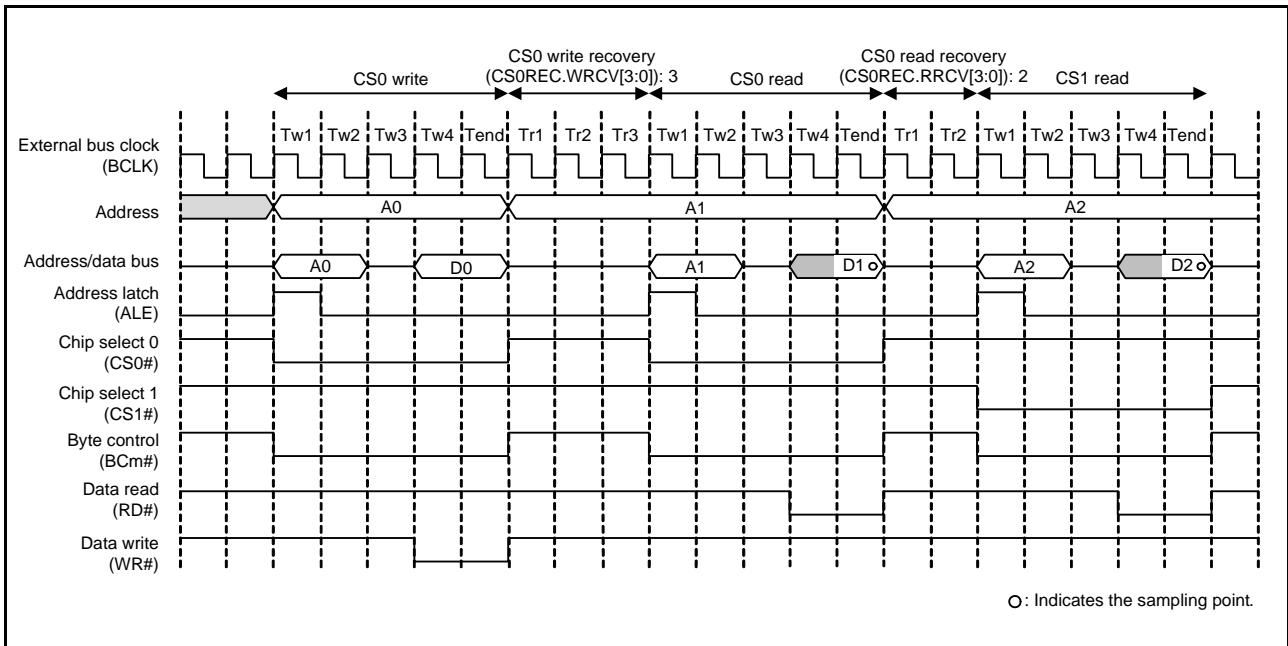


Figure 15.34 Example of Recovery Cycle Insertion (with Address/Data Multiplexed I/O Interface; m = 0, 1)

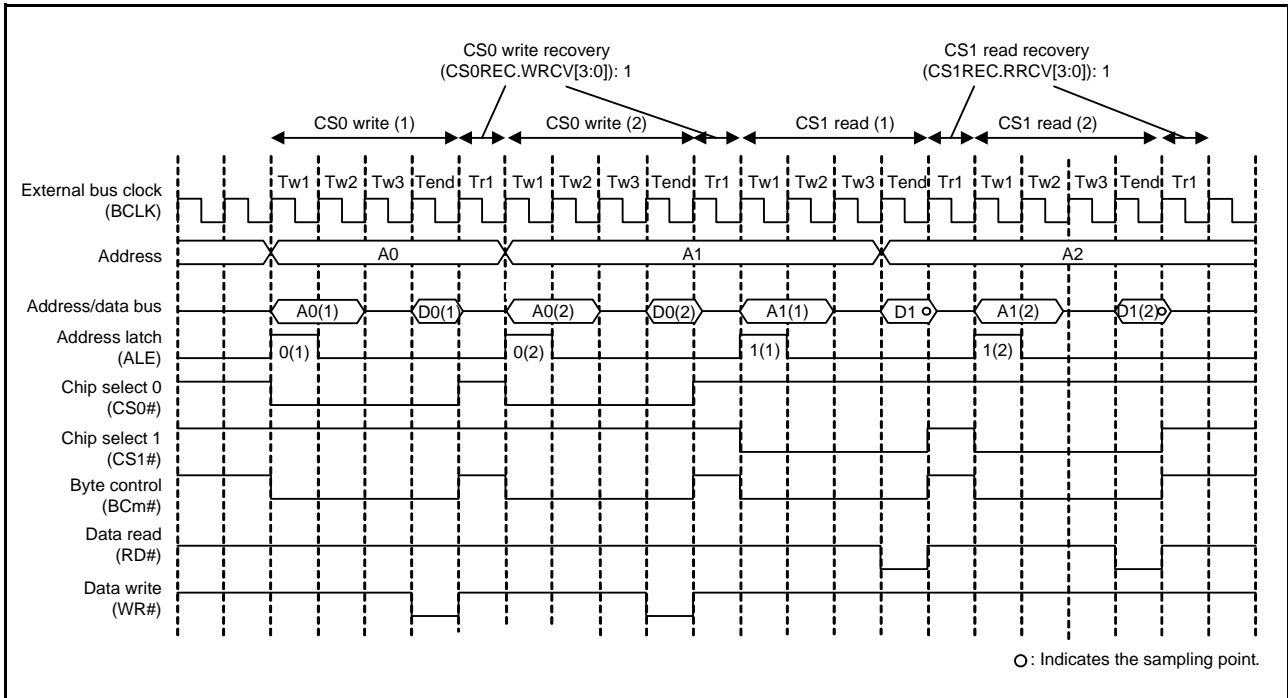


Figure 15.35 Example of Recovery Cycle Insertion When a Bus Access is Split (with Address/Data Multiplexed I/O Interface; m = 0, 1)

15.5.5 No Access State

Table 15.9 lists the states of external bus signals when no external address space is accessed.

Table 15.9 States of External Bus Signals during No Access

Signal Line Name	Signal State	
	Separate Bus	Address/Data Multiplex Bus
CSn#, BCn#, WRn#, RD#	High	
ALE	Low	
A23 to A16	Undefined	
A15 to A0	Undefined	Hi-Z
D15 to D0	Hi-Z	

15.5.6 Write Buffer Function (External Bus)

The internal main bus is released by writing data to the write buffer before the write access is completed, which allows the next round of bus access to start. However, if the following round of bus access is to an external address space or to a register of the external bus controller, it is suspended until the external bus operations already in progress are completed. Figure 15.36 shows an example of operation when the write-buffer function is in use. When this function is in use, if the next operation after an external write is internal access, the internal access (access to on-chip memory or a peripheral module) is executed in parallel with the external write, i.e. without waiting for completion of the latter operation.

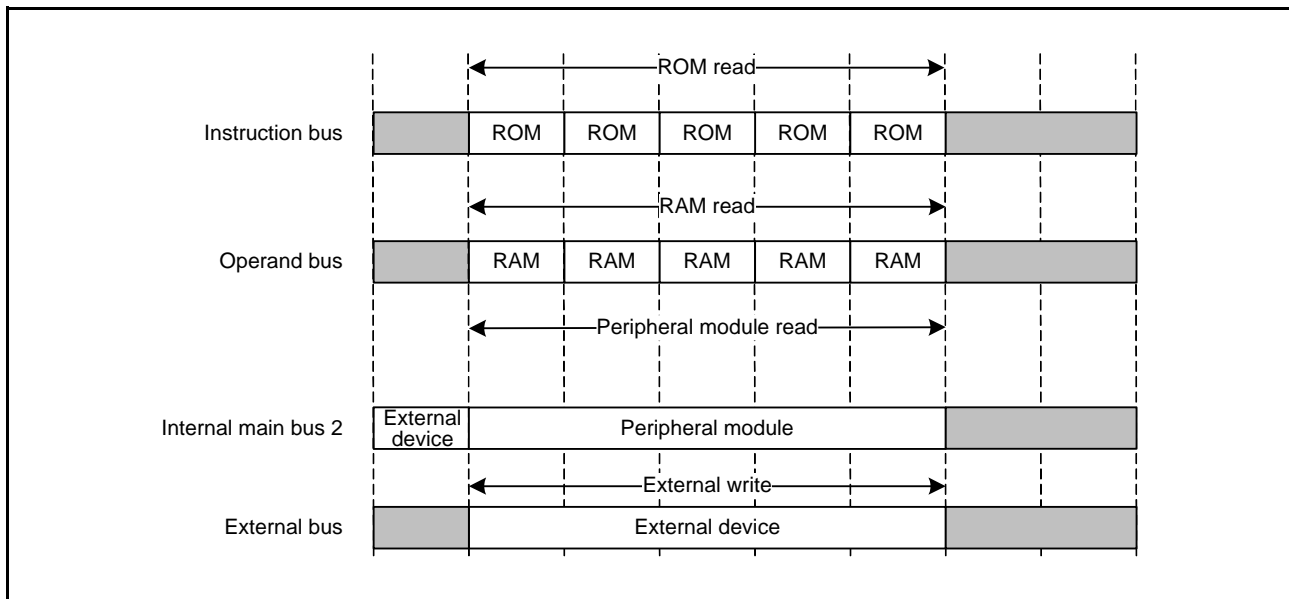


Figure 15.36 Example of Operation when the Write-Buffer Function is in Use

15.6 Limitations

15.6.1 Limitations on Using Separate Bus Interface

- (1) Limitations that apply to various bits of CSn wait control register 1 (CSnWCR1) and CSn wait control register 2 (CSnWCR2) at the times of normal and page accesses are listed in Table 15.10.

Even if the setting of the page-read access enable bit in the CSn mode register or the page-write access enable bit in the CSn mode register selects permission (CSnMOD.PRENB = 1 or CSnMOD.PWENB = 1), the first round of access for page access and the access that does not fall within the scope of page access are normal access operation, and thus limitations on normal access must be satisfied.

Table 15.10 Limitations at the Time of Normal and Page Access

Limitations at the Time of Normal Access		Limitations at the Time of Page Access	
Reading	Writing	Reading	Writing
$CSON[2:0] \leq CSRWAIT$	$1 \leq WDON[2:0]$	$CSON[2:0] \leq CSPRWAIT$	$1 \leq WDON[2:0]$
$RDON[2:0] \leq CSRWAIT$	$CSON[2:0] \leq CSWWAIT$	$RDON[2:0] \leq CSPRWAIT$	$CSON[2:0] \leq CSPWWAIT$
$CSON[2:0] \leq RDON$	$WRON[2:0] \leq CSWWAIT$	$CSON[2:0] \leq RDON$	$WRON[2:0] \leq CSPWWAIT$
	$WDON[2:0] \leq CSWWAIT$		$WDON[2:0] \leq CSPWWAIT$
	$WDOFF[2:0] \leq CSWOFF$		$WDOFF[2:0] \leq CSWOFF$
	$WDON[2:0] \leq WRON$		$WDON[2:0] \leq WRON$
	$CSON[2:0] \leq WRON$		$CSON[2:0] \leq WRON$

- (2) When two or more external bus access cycles are required for a single transfer request from a bus master and the recovery cycle insertion condition is satisfied with page read access enabled (CSnMOD.PRENB = 1) or page write access enabled (CSnMOD.PWENB = 1), recovery cycles are not inserted between bus access cycles but inserted only after the last bus access cycle of the transfer.

15.6.2 Limitations on Using Address/Data Multiplexed Bus Interface

- (1) In the address/data multiplexed I/O space, page accesses are invalid. If a page access setting is specified, the setting is ignored and the normal read or write operation is performed.

Table 15.11 Limitations at the Time of Normal and Page Access

Limitations at the Time of Normal Access	
Reading	Writing
$CSON[2:0] \leq CSRWAIT$	$CSON[2:0] \leq CSWWAIT$
$RDON[2:0] \leq CSRWAIT$	$WRON[2:0] \leq CSWWAIT$
$CSON[2:0] \leq RDON$	$WDON[2:0] \leq CSWWAIT$
$AWAIT[1:0]+2 \leq RDON$	$WDOFF[2:0] \leq CSWOFF$
$CSON[2:0] \leq AWAIT$	$WDON[2:0] \leq WRON$
	$CSON[2:0] \leq WRON$
	$AWAIT[1:0]+2 \leq WRON$
	$AWAIT[1:0]+2 \leq WDON$
	$CSON[2:0] \leq AWAIT$

15.6.3 Limitation when a Pin is Multiplexed between A0 and BC0# Functions

When the A0 and BC0# pin functions share the same pin, setting the single write strobe mode is prohibited in the 8-bit bus space; otherwise the operation is not guaranteed.

15.6.4 Limitations when 1/2 BCLK is Selected with BCLK Pin Output Select Bit

When 1/2 BCLK is selected through the BCLK pin output select bit, the external bus access cycle starts at the rising edge of the BCLK pin output. However, when two or more external bus access cycles are generated for a single transfer request from a bus master, the second or subsequent external bus access cycle may start at the falling edge of the BCLK pin output depending on the wait cycle settings. Make appropriate register settings according to the specifications of the device to be connected.

15.6.5 Prohibition of Access that Spans Areas of Address Space

Single access that spans several areas of the address space is prohibited, and operation of such an access is not guaranteed. Setting must be made so that two areas are not accessed at the same time by a single word or longword access.

15.6.6 Restrictions on RMPA and String-Manipulation Instructions

- (1) Although the external space has a per-area ending-switching facility (only for data), the allocation of data to be handled by RMPA or string-manipulation instructions to an area where the endian differs from that of the chip is prohibited, and operation is not guaranteed if this restriction is not observed. If data to be handled by RMPA or string-manipulation instructions are allocated to the external space, they must be allocated to areas where the endian setting is the same as that for the chip.
- (2) The allocation of data to be handled by RMPA or string-manipulation instructions to I/O registers is prohibited, and operation is not guaranteed if this restriction is not observed.

15.6.7 Restriction on Instruction Code

When the endian setting for each area is different from that for the chip, no instruction code can be allocated in the area. The instruction code should be allocated to the external space whose endian setting is the same as that for the chip.

15.7 Bus Error Monitoring Section

The bus error monitoring section monitors the individual areas for bus errors, and when a bus error occurs, the error is indicated to the bus master.

15.7.1 Types of Bus Error

There are two types of bus error: illegal address access and timeout.

Illegal address access is the detection of illegal access to an area and time-out is the detection of a bus-access operation not being completed within 768 cycles.

15.7.1.1 Illegal Address Access

When the illegal address access detection enable bit (IGAEN) in the bus error monitoring enable register (BEREN) is set to 1, access of the following types leads to illegal address access errors.

- Access to areas of external space for which operation has been disabled (CSnCR.EXENB = 0)
- With respect to areas other than those described above, access to illegal address ranges
The address ranges where access will lead to illegal address access errors are indicated in Table 15.12.

15.7.1.2 Timeout

When the timeout detection enable bit (TOEN) in the bus error monitoring enable register (BEREN) is set to 1, bus access that is not completed within 768 cycles leads to a timeout error.

- CS areas (CS0 to CS3): Bus access is not completed (the WAIT# signal is not negated) within 768 external bus clock (BCLK) cycles from the start of the access.

Once a timeout error occurs, accesses from the bus master are rejected for 256 BCLK cycles. If multiple external bus accesses are generated with a single request from the bus master during the transfer, the bus accesses cannot be stopped by a timeout. At this time, timeout errors may occur repeatedly.

15.7.2 Operations When a Bus Error Occurs

When a bus error occurs, the error is indicated to the CPU. Operation is not guaranteed when a bus error occurs.

- Bus error indication to the CPU
An interrupt is generated. The IERn register in the ICU can specify whether to generate an interrupt in the case of a bus error.

15.7.3 Conditions Leading to Bus Errors

Table 15.12 lists the types of bus errors for each area in the respective address space.

If an illegal address access error or timeout is detected when no bus error has occurred (bus error status register n (BERSRn; n = 1, 2) is cleared), the detected error is reflected in the BERSRn. Once a bus error occurs, no subsequent bus errors are reflected in the register unless the register is cleared.

If bus errors are simultaneously caused by two or more bus masters, error information of only one bus master is reflected. Once a bus error occurs, the status is retained until BERSRn is cleared.

Table 15.12 Types of Bus Errors

Address	Type of Area		Type of Error			
			Illegal Address Access		Timeout	
	On-chip ROM enabled	On-chip ROM disabled	On-chip ROM enabled	On-chip ROM disabled	On-chip ROM enabled	On-chip ROM disabled
0000 0000h to 0007 FFFFh	Memory bus 1		—		—	
0008 0000h to 0008 7FFFh	Internal peripheral bus 1		—		—	
0008 8000h to 0009 FFFFh	Internal peripheral bus 2		Δ		—	
000A 0000h to 000B FFFFh	Reserved area		—		—	
000C 0000h to 000D FFFFh	Reserved area		Δ		—	
000E 0000h to 000F FFFFh	Reserved area		Δ		—	
0010 0000h to 00FF FFFFh	Internal peripheral bus 6	Reserved area	Δ	○	—	—
0500 0000h to 07FF FFFFh	External bus (CS1 to CS3)		[IA]		[TO]	
0800 0000h to 0FFF FFFFh	Reserved area		—		—	—
1000 0000h to 7FFF FFFFh	Reserved area		○		—	—
8000 0000h to FEFF FFFFh	Memory bus 2	Reserved area	—	○	—	—
FF00 0000h to FF7F FFFFh		External bus (CS0)	—	[IA]	—	[TO]
FF80 0000h to FFFF FFFFh			—	—	—	—

—: A bus error does not result.

Δ: A bus error may or may not result.

○: A bus error results.

[IA]: Access to this area leads to detection of a bus error if operation for this area is disabled (CSnCR.EXENB = 0; n = 0 to 3).

[TO]: Bus access not being completed within 768 cycles leads to detection of a bus error.

Note: • The capacity of the RAM, E2 DataFlash, and ROM differs depending on the product. For details, see section 39, RAM, section 40, ROM (Flash Memory for Code Storage), and section 41, E2 DataFlash Memory (Flash Memory for Data Storage).

16. DMA Controller (DMACA)

The RX210 Group incorporates a 4-channel direct memory access controller (DMAC).

The DMAC module performs data transfers without the CPU. When a DMA transfer request is generated, the DMAC transfers data stored at the transfer source address to the transfer destination address.

16.1 Overview

Table 16.1 lists the specifications of the DMAC, and Figure 16.1 shows a block diagram of the DMAC.

Table 16.1 Specifications of DMAC

Item		Description			
Number of channels		4 (DMAC _m (m = 0 to 3))			
Transfer space		512 Mbytes (0000 0000h to 0FFF FFFFh and F000 0000h to FFFF FFFFh excluding reserved areas)			
Maximum transfer volume		1M data (Maximum number of transfers in block transfer mode: 1,024 data × 1,024 blocks)			
DMA request source		<ul style="list-style-type: none"> Activation source selectable for each channel Software trigger Interrupt requests from peripheral modules or trigger input to external interrupt input pins*1 			
Channel priority		Channel 0 > Channel 1 > Channel 2 > Channel 3 (Channel 0: Highest)			
Transfer data	Single data	Bit length: 8, 16, 32 bits			
	Block size	Number of data: 1 to 1,024			
Transfer mode	Normal transfer mode	<ul style="list-style-type: none"> One data transfer by one DMA transfer request Free running mode (setting in which total number of data transfers is not specified) settable 			
	Repeat transfer mode	<ul style="list-style-type: none"> One data transfer by one DMA transfer request Program returns to the transfer start address on completion of the repeat size of data transfer specified for the transfer source or destination. Maximum settable repeat size: 1,024 			
	Block transfer mode	<ul style="list-style-type: none"> One block data transfer by one DMA transfer request Maximum settable block size: 1,024 data 			
Selective functions	Extended repeat area function	<ul style="list-style-type: none"> Function in which data can be transferred by repeating the address values in the specified range with the upper bit values in the transfer address register fixed Area of 2 bytes to 128 Mbytes separately settable as extended repeat area for transfer source and destination 			
	Interrupt request	<table border="0"> <tr> <td>Transfer end interrupt</td> <td>Generated on completion of transferring data volume specified by the transfer counter.</td> </tr> <tr> <td>Transfer escape end interrupt</td> <td>Generated when the repeat size of data transfer is completed or the extended repeat area overflows.</td> </tr> </table>	Transfer end interrupt	Generated on completion of transferring data volume specified by the transfer counter.	Transfer escape end interrupt
Transfer end interrupt	Generated on completion of transferring data volume specified by the transfer counter.				
Transfer escape end interrupt	Generated when the repeat size of data transfer is completed or the extended repeat area overflows.				
Power consumption reduction function		Module stop state can be set.			
Event link function		Event link request is generated after one data transfer (for block, after one block transfer).			

Note 1. For details on DMAC activation sources, see Table 14.3, Interrupt Vector Table in section 14, Interrupt Controller (ICUb).

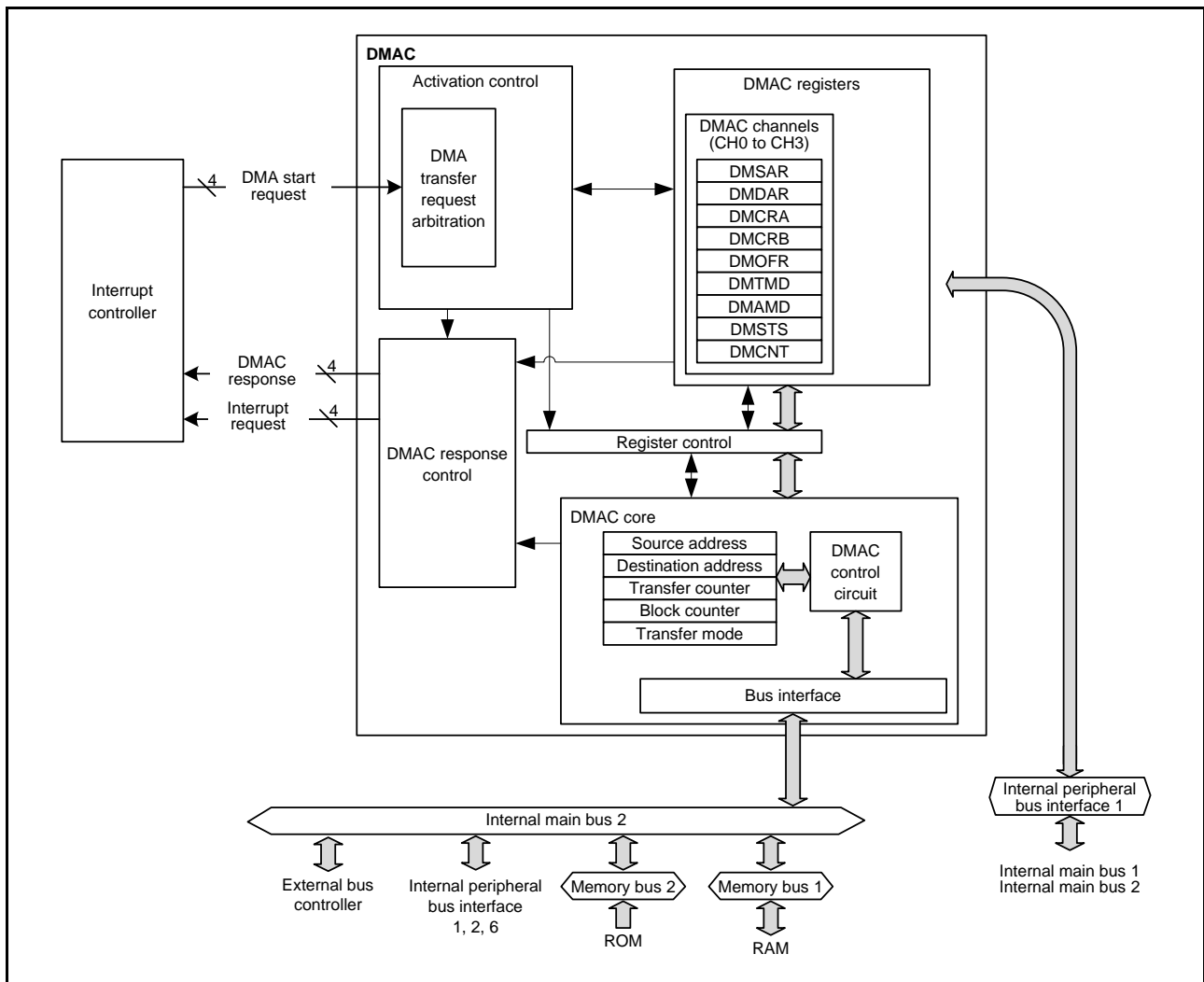
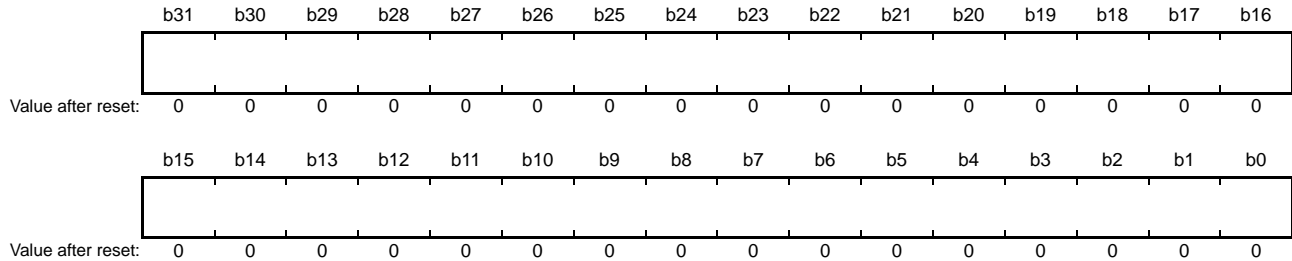


Figure 16.1 Block Diagram of DMAC

16.2 Register Descriptions

16.2.1 DMA Source Address Register (DMSAR)

Address(es): DMAC0.DMSAR 0008 2000h, DMAC1.DMSAR 0008 2040h, DMAC2.DMSAR 0008 2080h, DMAC3.DMSAR 0008 20C0h



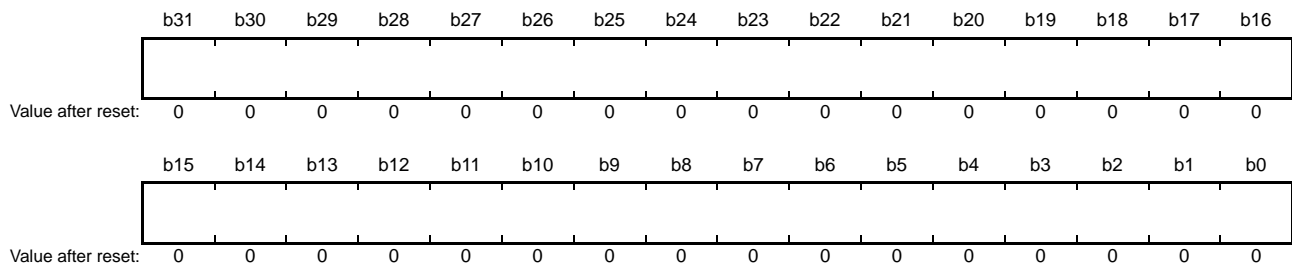
Bit	Description	Setting Range	R/W
b31 to b0	Specifies the transfer source start address.	0000 0000h to 0FFF FFFFh (256 Mbytes) F000 0000h to FFFF FFFFh (256 Mbytes)	R/W

Set DMSAR while DMAC activation is disabled (the DMST bit in DMAST = 0) or DMA transfer is disabled (the DTE bit in DMCNT = 0).

Setting bits 31 to 29 is invalid; a value of bit 28 is extended to bits 31 to 29. Reading DMSAR returns the extended value.

16.2.2 DMA Destination Address Register (DMDAR)

Address(es): DMAC0.DMDAR 0008 2004h, DMAC1.DMDAR 0008 2044h, DMAC2.DMDAR 0008 2084h, DMAC3.DMDAR 0008 20C4h



Bit	Description	Setting Range	R/W
b31 to b0	Specifies the transfer destination start address.	0000 0000h to 0FFF FFFFh (256 Mbytes) F000 0000h to FFFF FFFFh (256 Mbytes)	R/W

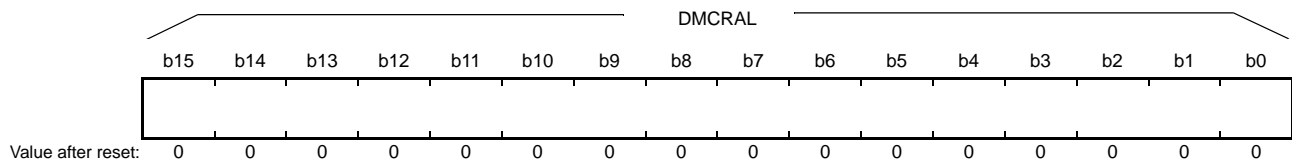
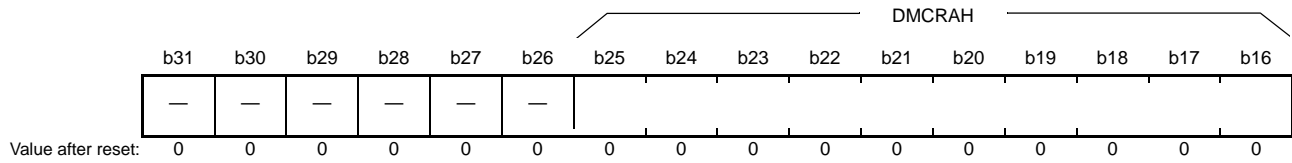
DMDAR specifies the start address of the transfer destination. Set DMDAR while DMAC activation is disabled (the DMST bit in DMAST = 0) or DMA transfer is disabled (the DTE bit in DMCNT = 0).

Setting bits 31 to 29 is invalid; a value of bit 28 is extended to bits 31 to 29. Reading DMDAR returns the extended value.

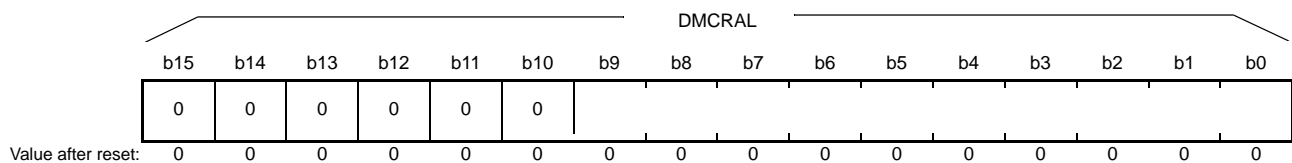
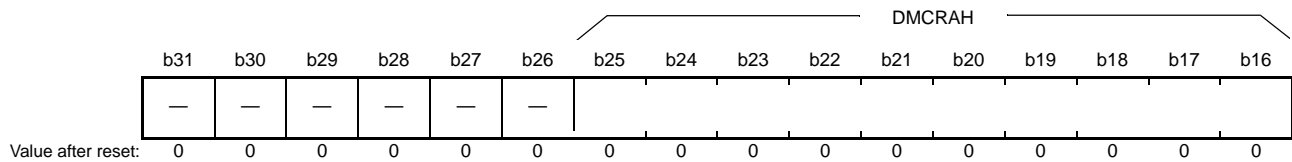
16.2.3 DMA Transfer Count Register (DMCRA)

Address(es): DMAC0.DMCRA 0008 2008h, DMAC1.DMCRA 0008 2048h, DMAC2.DMCRA 0008 2088h, DMAC3.DMCRA 0008 20C8h

- Normal transfer mode



- Repeat transfer mode, block transfer mode



Symbol	Bit Name	Description	R/W
DMCRAH	Upper bits of transfer count	Specifies the number of transfer operations	R/W
DMCRAH	Lower bits of transfer count	Specifies the number of transfer operations	R/W

Note: • Set the same value for DMCRAH and DMCRAL in repeat transfer mode and block transfer mode.

(1) Normal Transfer Mode (MD[1:0] Bits in DMACm.DMTMD = 00b)

DMCRAH functions as a 16-bit transfer counter. The number of transfer operations is one when the setting is 0001h, and 65535 when it is FFFFh.

The value is decremented by one each time data is transferred.

When the setting is 0000h, no specific number of transfer operations is set; data transfer is performed with the transfer counter stopped (free running mode).

DMCRAH is not used in normal transfer mode. Write 0000h to DMCRAH.

(2) Repeat Transfer Mode (MD[1:0] Bits in DMACm.DMTMD = 01b)

DMCRAH specifies the repeat size and DMCRAL functions as a 10-bit transfer counter.

The number of transfer operations is one when the setting is 001h, 1023 when it is 3FFh, and 1024 when it is 000h. In repeat transfer mode, a value in the range of 000h to 3FFh (1 to 1024) can be set for DMCRAH and DMCRAL.

Setting bits 15 to 10 in DMCRAL is invalid. Write 0 to these bits.

The value in DMCRAL is decremented by one each time data is transferred until it reaches 000h, at which the value in DMCRAH is loaded into DMCRAL.

(3) Block Transfer Mode (MD[1:0] Bits in DMACm.DMTMD = 10b)

DMCRAH specifies the block size and DMCRAL functions as a 10-bit block size counter.

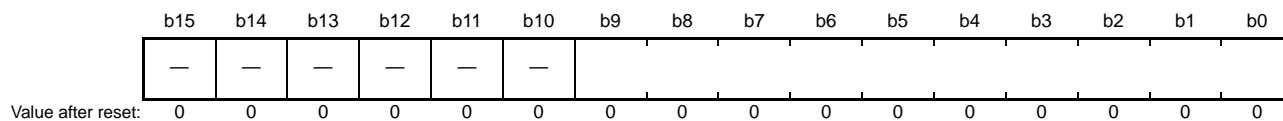
The block size is one when the setting is 001h, 1023 when it is 3FFh, and 1024 when it is 000h. In block transfer mode, a value in the range of 000h to 3FFh can be set for DMCRAH and DMCRAL.

Setting bits 15 to 10 in DMCRAL is invalid. Write 0 to these bits.

The value in DMCRAL is decremented by one each time data is transferred until it reaches 000h, at which the value in DMCRAH is loaded into DMCRAL.

16.2.4 DMA Block Transfer Count Register (DMCRB)

Address(es): DMAC0.DMCRB 0008 200Ch, DMAC1.DMCRB 0008 204Ch, DMAC2.DMCRB 0008 208Ch, DMAC3.DMCRB 0008 20CCh



Bit	Description	Setting Range	R/W
b9 to b0	Specifies the number of block transfer operations or repeat transfer operations.	001h to 3FFh (1 to 1023) 000h (1024)	R/W
b15 to b10	Reserved	These bits are read as 0. The write value should be 0.	R/W

DMCRB specifies the number of block transfer operations and repeat transfer operations in block and repeat transfer mode, respectively.

The number of transfer operations is one when the setting is 001h, 1023 when it is 3FFh, and 1024 when it is 000h.

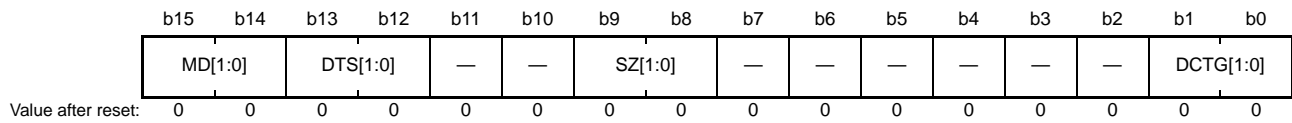
In repeat transfer mode, the value is decremented by one when the final data of one repeat size is transferred.

In block transfer mode, the value is decremented by one when the final data of one block size is transferred.

In normal transfer mode, DMCRB is not used. The setting is invalid.

16.2.5 DMA Transfer Mode Register (DMTMD)

Address(es): DMAC0.DMTMD 0008 2010h, DMAC1.DMTMD 0008 2050h, DMAC2.DMTMD 0008 2090h, DMAC3.DMTMD 0008 20D0h



Bit	Symbol	Bit Name	Description	R/W
b1, b0	DCTG[1:0]	DMA Request Source Select	b1 b0 0 0: Software 0 1: Interrupts*1 from peripheral modules or external interrupt input pins 1 0: Setting prohibited 1 1: Setting prohibited	R/W
b7 to b2	—	Reserved	These bits are read as 0. The write value should be 0.	R/W
b9, b8	SZ[1:0]	Transfer Data Size Select	b9 b8 0 0: 8 bits 0 1: 16 bits 1 0: 32 bits 1 1: Setting prohibited	R/W
b11, b10	—	Reserved	These bits are read as 0. The write value should be 0.	R/W
b13, b12	DTS[1:0]	Repeat Area Select	b13 b12 0 0: The destination is specified as the repeat area or block area. 0 1: The source is specified as the repeat area or block area. 1 0: The repeat area or block area is not specified. 1 1: Setting prohibited	R/W
b15, b14	MD[1:0]	Transfer Mode Select	b15 b14 0 0: Normal transfer 0 1: Repeat transfer 1 0: Block transfer 1 1: Setting prohibited	R/W

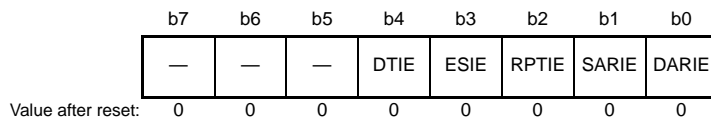
Note 1. DMAC activation source is selected using the DMRSRm registers of the ICU. For details on DMAC activation sources, see Table 14.3, Interrupt Vector Table in section 14, Interrupt Controller (ICUb).

DTS[1:0] Bits (Repeat Area Select)

DTS[1:0] select either the source or destination as the repeat area in repeat or block transfer mode. In normal transfer mode, setting these bits is invalid.

16.2.6 DMA Interrupt Setting Register (DMINT)

Address(es): DMAC0.DMINT 0008 2013h, DMAC1.DMINT 0008 2053h, DMAC2.DMINT 0008 2093h, DMAC3.DMINT 0008 20D3h



Bit	Symbol	Bit Name	Description	R/W
b0	DARIE	Destination Address Extended Repeat Area Overflow Interrupt Enable	0: Disables an interrupt request for an extended repeat area overflow on the destination address 1: Enables an interrupt request for an extended repeat area overflow on the destination address	R/W
b1	SARIE	Source Address Extended Repeat Area Overflow Interrupt Enable	0: Disables an interrupt request for an extended repeat area overflow on the source address 1: Enables an interrupt request for an extended repeat area overflow on the source address	R/W
b2	RPTIE	Repeat Size End Interrupt Enable	0: Disables the repeat size end interrupt request. 1: Enables the repeat size end interrupt request.	R/W
b3	ESIE	Transfer Escape End Interrupt Enable	0: Disables the transfer escape end interrupt request. 1: Enables the transfer escape end interrupt request.	R/W
b4	DTIE	Transfer End Interrupt Enable	0: Disables the transfer end interrupt request. 1: Enables the transfer end interrupt request.	R/W
b7 to b5	—	Reserved	These bits are read as 0. The write value should be 0.	R/W

DARIE Bit (Destination Address Extended Repeat Area Overflow Interrupt Enable)

When an extended repeat area overflow on the destination address occurs while this bit is set to 1, the DTE bit in DMCNT is cleared to 0. At the same time, the ESIF flag in DMSTS is set to 1 to indicate that an interrupt by an extended repeat area overflow on the destination address is requested.

When block transfer mode is used with the extended repeat area function, an interrupt is requested after completion of a 1-block size transfer. When setting 1 in the DTE bit in DMACm.DMCNT of the channel for which a transfer has been stopped, the transfer is resumed from the state when the transfer is stopped.

When the extended repeat area is not specified for the destination address, this bit is ignored.

SARIE Bit (Source Address Extended Repeat Area Overflow Interrupt Enable)

When an extended repeat area overflow on the source address occurs while this bit is set to 1, the DTE bit in DMCNT is cleared to 0. At the same time, the ESIF flag in DMSTS is set to 1 to indicate that an interrupt by an extended repeat area overflow on the source address is requested.

When block transfer mode is used with the extended repeat area function, an interrupt is requested after completion of a 1-block size transfer. When setting 1 in the DTE bit in DMACm.DMCNT of the channel for which a transfer has been stopped, the transfer is resumed from the state when the transfer is stopped.

When the extended repeat area is not specified for the source address, this bit is ignored.

RPTIE Bit (Repeat Size End Interrupt Enable)

When this bit is set to 1 in repeat transfer mode, the DTE bit in DMCNT is cleared to 0 after completion of a 1-repeat size data transfer. At the same time, the ESIF flag in DMSTS is set to 1 to indicate that the repeat size end interrupt request has been generated. The repeat size end interrupt request can be generated even when the DTS[1:0] bits in DMTMD are 10b (= repeat area or block area is not specified).

When this bit is set to 1 in block transfer mode, the DTE bit in DMCNT is cleared to 0 after completion of a 1-block data transfer in the same way as repeat transfer mode. At the same time, the ESIF flag in DMSTS is set to 1 to indicate that the repeat size end interrupt request has been generated. The repeat size end interrupt request can be generated even when the DTS[1:0] bits in DMTMD are 10b (= repeat area or block area is not specified).

ESIE Bit (Transfer Escape End Interrupt Enable)

This bit enables or disables the transfer escape end interrupt requests (repeat size end interrupt request and extended repeat area overflow interrupt request) that are generated during DMA transfer.

The transfer escape end interrupt is generated when the ESIF flag in DMSTS is set to 1 with this bit set to 1. The transfer escape end interrupt is cleared by clearing this bit or the ESIF flag in DMSTS to 0.

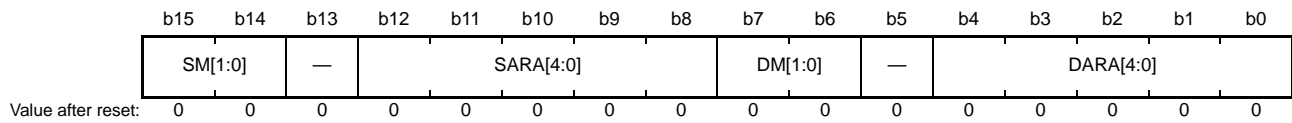
DTIE Bit (Transfer End Interrupt Enable)

This bit enables or disables the transfer end interrupt request to be generated on completion of a specified number of data transfers.

The transfer end interrupt is generated when the DTIF bit in DMSTS is set to 1 with this bit set to 1. The transfer end interrupt is cleared by clearing this bit or the DTIF bit in DMSTS to 0.

16.2.7 DMA Address Mode Register (DMAMD)

Address(es): DMAC0.DMAMD 0008 2014h, DMAC1.DMAMD 0008 2054h, DMAC2.DMAMD 0008 2094h, DMAC3.DMAMD 0008 20D4h



Bit	Symbol	Bit Name	Description	R/W
b4 to b0	DARA[4:0]	Destination Address Extended Repeat Area	Specifies the extended repeat area on the destination address. For details on the settings, see Table 16.2.	R/W
b5	—	Reserved	This bit is read as 0. The write value should be 0.	R/W
b7, b6	DM[1:0]	Destination Address Update Mode	b7 b6 0 0: Destination address is fixed. 0 1: Offset addition*1 1 0: Destination address is incremented. 1 1: Destination address is decremented.	R/W
b12 to b8	SARA[4:0]	Source Address Extended Repeat Area	Specifies the extended repeat area on the source address. For details on the settings, see Table 16.2.	R/W
b13	—	Reserved	This bit is read as 0. The write value should be 0.	R/W
b15, b14	SM[1:0]	Source Address Update Mode	b15 b14 0 0: Source address is fixed. 0 1: Offset addition*1 1 0: Source address is incremented. 1 1: Source address is decremented.	R/W

Note 1. Offset addition can be specified only for DMAC0.

DARA[4:0] Bits (Destination Address Extended Repeat Area)

These bits specify the extended repeat area on the destination address. The extended repeat area function is realized by updating the specified lower address bits with the remaining upper address bits fixed. The size of the extended repeat area can be any power of two between 2 bytes and 128 Mbytes.

When the lower address overflows the extended repeat area by address increment, the start address of the extended repeat area is set. Similarly, when the lower address underflows the extended repeat area by address decrement, the end address of the extended repeat area is set.

When the repeat area or block area is specified as a transfer destination, do not specify the extended repeat area on the destination address. When repeat transfer or block transfer is selected, or when DMACm.DMTMD.DTS[1:0] = 00b (the transfer destination is specified as the repeat area or block area), write 00000b in the DARA[4:0] bits.

An interrupt can be requested when an overflow or underflow occurs in the extended repeat area with the DARIE bit in DMINT set to 1. Table 16.2 lists the settings and the corresponding extended repeat areas.

DM[1:0] Bits (Destination Address Update Mode)

These bits select the mode of updating the destination address.

When increment is selected and the SZ[1:0] bits in DMTMD are set to 00b, 01b, and 10b, the destination address is incremented by 1, 2, and 4, respectively.

When decrement is selected and the SZ[1:0] bits in DMTMD are set to 00b, 01b, and 10b, the destination address is decremented by 1, 2, and 4, respectively.

When offset addition is selected, the offset specified by the DMAC0.DMOFR register is added to the address.

Offset addition can be specified only for DMAC0.

SARA[4:0] Bits (Source Address Extended Repeat Area)

These bits specify the extended repeat area on the source address. The extended repeat area function is realized by updating the specified lower address bits with the remaining upper address bits fixed. The size of the extended repeat area can be any power of two between 21 (2 bytes) and 217 (128 Mbytes).

When the lower address overflows the extended repeat area by address increment, the start address of the extended repeat area is set. Similarly, when the lower address underflows the extended repeat area by address decrement, the end address of the extended repeat area is set.

When the repeat area or block area is specified as a transfer source, do not specify the extended repeat area on the source address. When repeat transfer or block transfer is selected, or when DMACm.DMTMD.DTS[1:0] = 01b (the transfer source is specified as the repeat area or block area), write 00000b in the SARA[4:0] bits.

An interrupt can be requested when an overflow or underflow occurs in the extended repeat area with the SARIE bit in DMINT set to 1. Table 16.2 lists the settings and the corresponding extended repeat areas.

SM Bit (Source Address Update Mode)

These bits select the mode of updating the source address.

When increment is selected and the SZ[1:0] bits in DMTMD are set to 00b, 01b, and 10b, the source address is incremented by 1, 2, and 4, respectively.

When decrement is selected and the SZ[1:0] bits in DMTMD are set to 00b, 01b, and 10b, the source address is decremented by 1, 2, and 4, respectively.

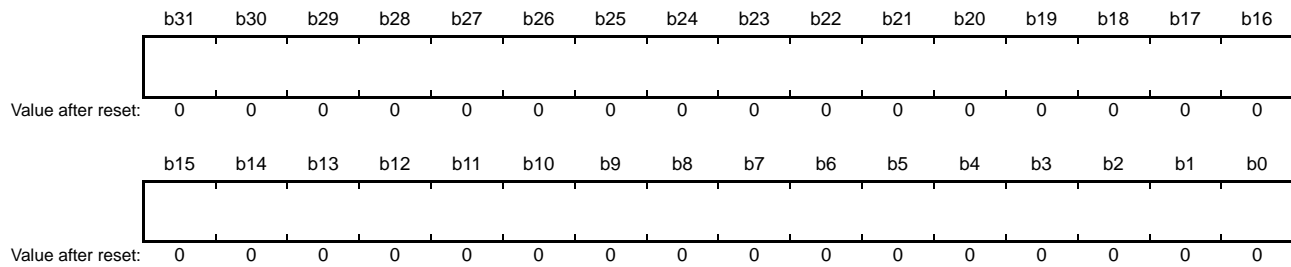
When offset addition is selected, the offset specified by the DMAC0.DMOFR register is added to the address. Offset addition can be specified only for DMAC0.

Table 16.2 SARA[4:0] or DARA[4:0] Settings and Corresponding Repeat Areas

SARA4 to SARA0 or DARA4 to DARA0	Extended Repeat Area
0000b	Not specified
00001b	2 bytes specified as extended repeat area by the lower 1 bit of the address
00010b	4 bytes specified as extended repeat area by the lower 2 bits of the address
00011b	8 bytes specified as extended repeat area by the lower 3 bits of the address
00100b	16 bytes specified as extended repeat area by the lower 4 bits of the address
00101b	32 bytes specified as extended repeat area by the lower 5 bits of the address
00110b	64 bytes specified as extended repeat area by the lower 6 bits of the address
00111b	128 bytes specified as extended repeat area by the lower 7 bits of the address
01000b	256 bytes specified as extended repeat area by the lower 8 bits of the address
01001b	512 bytes specified as extended repeat area by the lower 9 bits of the address
01010b	1 Kbyte specified as extended repeat area by the lower 10 bits of the address
01011b	2 Kbytes specified as extended repeat area by the lower 11 bits of the address
01100b	4 Kbytes specified as extended repeat area by the lower 12 bits of the address
01101b	8 Kbytes specified as extended repeat area by the lower 13 bits of the address
01110b	16 Kbytes specified as extended repeat area by the lower 14 bits of the address
01111b	32 Kbytes specified as extended repeat area by the lower 15 bits of the address
10000b	64 Kbytes specified as extended repeat area by the lower 16 bits of the address
10001b	128 Kbytes specified as extended repeat area by the lower 17 bits of the address
10010b	256 Kbytes specified as extended repeat area by the lower 18 bits of the address
10011b	512 Kbytes specified as extended repeat area by the lower 19 bits of the address
10100b	1 Mbyte specified as extended repeat area by the lower 20 bits of the address
10101b	2 Mbytes specified as extended repeat area by the lower 21 bits of the address
10110b	4 Mbytes specified as extended repeat area by the lower 22 bits of the address
10111b	8 Mbytes specified as extended repeat area by the lower 23 bits of the address
11000b	16 Mbytes specified as extended repeat area by the lower 24 bits of the address
11001b	32 Mbytes specified as extended repeat area by the lower 25 bits of the address
11010b	64 Mbytes specified as extended repeat area by the lower 26 bits of the address
11011b	128 Mbytes specified as extended repeat area by the lower 27 bits of the address
11100b to 11111b	Setting prohibited.

16.2.8 DMA Offset Register (DMOFR)

Address(es): DMAC0.DMOFR 0008 2018h

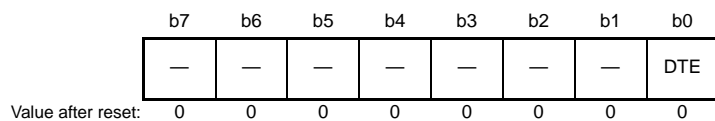


Bit	Description	Setting Range	R/W
b31 to b0	Specifies the offset when offset addition is selected as the address update mode for transfer source or destination.	0000 0000h to 00FF FFFFh (0 bytes to (16 M – 1) bytes) FF00 0000h to FFFF FFFFh (–16 Mbytes to –1 byte)	R/W

Write to this register while the DMAC operation is stopped or DMA transfer is disabled (not during data transfer).
Setting bits 31 to 25 is invalid; a value of bit 24 is extended to bits 31 to 25. Reading DMOFR returns the extended value.

16.2.9 DMA Transfer Enable Register (DMCNT)

Address(es): DMAC0.DMCNT 0008 201Ch, DMAC1.DMCNT 0008 205Ch, DMAC2.DMCNT 0008 209Ch, DMAC3.DMCNT 0008 20DCh



Bit	Symbol	Bit Name	Description	R/W
b0	DTE	DMA Transfer Enable	0: Disables DMA transfer. 1: Enables DMA transfer.	R/W
b7 to b1	—	Reserved	These bits are read as 0. The write value should be 0.	R/W

DTE Bit (DMA Transfer Enable)

When the DMST bit in DMAST is set to 1 (DMAC activation is enabled) and this bit is set to 1 (DMA transfer is enabled), DMA transfer can be started for the corresponding channel.

[Setting condition]

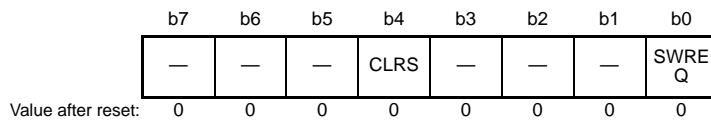
- When 1 is written to this bit.

[Clearing conditions]

- When 0 is written to this bit.
- When the specified total volume of data transfer is completed.
- When DMA transfer is stopped by the repeat size end interrupt.
- When DMA transfer is stopped by the extended repeat area overflow interrupt.

16.2.10 DMA Software Start Register (DMREQ)

Address(es): DMAC0.DMREQ 0008 201Dh, DMAC1.DMREQ 0008 205Dh, DMAC2.DMREQ 0008 209Dh, DMAC3.DMREQ 0008 20DDh



Bit	Symbol	Bit Name	Description	R/W
b0	SWREQ	DMA Software Start	0: DMA transfer is not requested. 1: DMA transfer is requested.	R/W
b3 to b1	—	Reserved	These bits are read as 0. The write value should be 0.	R/W
b4	CLRS	DMA Software Start Bit Auto Clear Select	0: SWREQ bit is cleared after DMA transfer is started by software. 1: SWREQ bit is not cleared after DMA transfer is started by software.	R/W
b7 to b5	—	Reserved	These bits are read as 0. The write value should be 0.	R/W

SWREQ Bit (DMA Software Start)

When 1 is written to this bit, a DMA transfer request is generated. After DMA transfer is started in response to the request, this bit is cleared to 0 if the CLRS bit is set to 0. This bit is not cleared to 0 while the CLRS bit is set to 1. In this case, a DMA transfer request can be issued again after completion of a transfer.

Note that, however, setting this bit is valid and DMA transfer by software is enabled only when the DCTG[1:0] bits in DMTMD are set to 00b (DMA activation source is software).

Setting this bit is invalid when the DCTG[1:0] bits in DMTMD are set to a value other than 00b.

To start DMA transfer by software with the CLRS bit being 0, ensure that the SWREQ bit is 0, and then write 1 to the SWREQ bit.

[Setting condition]

- When 1 is written to this bit.

[Clearing conditions]

- When a DMA transfer request by software is accepted and DMA transfer is started while the CLRS bit is set to 0 (the SWREQ bit is cleared after DMA transfer is started by software).
- When 0 is written to this bit.

CLRS Bit (DMA Software Start Bit Auto Clear Select)

This bit specifies whether to clear the SWREQ bit to 0 after DMA transfer is started in response to the DMA transfer request generated by setting the SWREQ bit to 1. With this bit set to 0, the SWREQ bit is cleared to 0 after DMA transfer is started. With this bit set to 1, the SWREQ bit is not cleared to 0. In this case, a DMA transfer request can be issued again after completion of a transfer.

16.2.11 DMA Status Register (DMSTS)

Address(es): DMAC0.DMSTS 0008 201Eh, DMAC1.DMSTS 0008 205Eh, DMAC2.DMSTS 0008 209Eh, DMAC3.DMSTS 0008 20DEh

b7	b6	b5	b4	b3	b2	b1	b0
ACT	—	—	DTIF	—	—	—	ESIF

Value after reset: 0 0 0 0 0 0 0 0

Bit	Symbol	Bit Name	Description	R/W
b0	ESIF	Transfer Escape End Interrupt Flag	0: A transfer escape end interrupt has not been generated. 1: A transfer escape end interrupt has been generated.	R/W*1
b3 to b1	—	Reserved	These bits are read as 0. Writing to these bits has no effect.	R
b4	DTIF	Transfer End Interrupt Flag	0: A transfer end interrupt has not been generated. 1: A transfer end interrupt has been generated.	R/W*1
b6, b5	—	Reserved	These bits are read as 0. Writing to these bits has no effect.	R
b7	ACT	DMA Active Flag	0: DMAC operation is suspended. 1: DMAC is operating.	R

Note 1. Only 0 can be written to clear the flag.

ESIF Flag (Transfer Escape End Interrupt Flag)

This flag indicates that the transfer escape end interrupt has been generated.

[Setting conditions]

- When 1-repeat size data transfer is completed in repeat transfer mode with the RPTIE bit in DMINT set to 1.
- When 1-block data transfer is completed in block transfer mode with the RPTIE bit in DMINT set to 1.
- When an extended repeat area overflow on the source address occurs while the SARIE bit in DMINT is set to 1 and the SARA[4:0] bits in DMAMD are set to a value other than 00000b (extended repeat area is specified on the transfer source address)
- When an extended repeat area overflow on the destination address occurs while the DARIE bit in DMINT is set to 1 and the DARA[4:0] bits in DMAMD are set to a value other than 00000b (extended repeat area is specified on the transfer destination address)

[Clearing conditions]

- When 0 is written to this bit.
- When 1 is written to the DTE bit in DMCNT.

DTIF Flag (Transfer End Interrupt Flag)

This flag indicates that the transfer end interrupt has been generated.

[Setting conditions]

- When the specified number of unit-transfers are completed in normal transfer mode (the value of DMCRAL becoming 0 on completion of transfer)
- When the specified number of repeat transfer operations are completed in repeat transfer mode (the value of DMCRB becoming 0 on completion of transfer))
- When the specified number of blocks have been transferred in block transfer mode (the value of DMCRB becoming 0 on completion of transfer)

[Clearing conditions]

- When 0 is written to this bit
- When 1 is written to the DTE bit in DMCNT

ACT Flag (DMA Active Flag)

This flag indicates whether the DMAC is in the idle or active state.

[Setting condition]

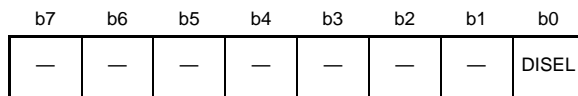
- When the DMAC starts data transfer operation

[Clearing condition]

- When data transfer in response to one transfer request is completed

16.2.12 DMA Activation Source Flag Control Register (DMCSL)

Address(es): DMAC0.DMCSL 0008 201Fh, DMAC1.DMCSL 0008 205Fh, DMAC2.DMCSL 0008 209Fh, DMAC3.DMCSL 0008 20DFh



Value after reset: 0 0 0 0 0 0 0 0

Bit	Symbol	Bit Name	Description	R/W
b0	DISEL	Interrupt Select	0: At the beginning of transfer, clear the interrupt flag of the activation source to 0. 1: At the end of transfer, the interrupt flag of the activation source issues an interrupt to the CPU.	R/W
b7 to b1	—	Reserved	These bits are read as 0. The write value should be 0.	R/W

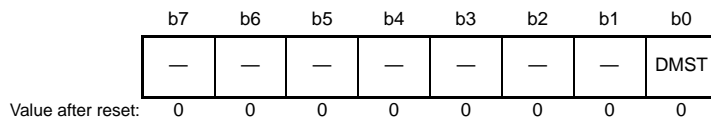
DISEL Bit (Interrupt Select)

This bit selects whether the interrupt flag of the activation source of the DMAC is cleared to 0 or issues an interrupt to the CPU, at the beginning of transfer.

When DMTMD.DCTG[1:0] = 00b (activation by software), the setting of the DISEL bit does not affect the operation.

16.2.13 DMA Module Activation Register (DMAST)

Address(es): 0008 2200h



Bit	Symbol	Bit Name	Description	R/W
b0	DMST	DMAC Operation Enable	0: DMAC activation is disabled. 1: DMAC activation is enabled.	R/W
b7 to b1	—	Reserved	These bits are read as 0. The write value should be 0.	R/W

DMST Bit (DMAC Operation Enable)

When this bit is set to 1, DMAC activation is enabled for all channels.

When 1 is written to the DMACm.DMCNT.DTE bit (DMA transfer is enabled) of multiple channels and then this bit is set to 1 (DMAC activation is enabled), the corresponding multiple channels can be placed in the transfer request acceptable state at the same time.

When the DMST bit is cleared to 0 during DMA transfer, DMA transfer is suspended after completion of the current data transfer corresponding to a single transfer request. DMA transfer is resumed by setting the DMST bit to 1 again.

[Setting condition]

- When 1 is written to this bit

[Clearing condition]

- When 0 is written to this bit

16.3 Operation

16.3.1 Transfer Mode

(1) Normal Transfer Mode

In normal transfer mode, one data is transferred by one transfer request. A maximum of 65535 can be set as the number of transfer operations using the DMCRAL of DMACm. When these bits are set to 0000h, no specific number of transfer operations is set; data transfer is performed with the transfer counter stopped (free running mode). Setting DMCRB of DMACm is invalid in normal transfer mode. Except in free running mode, a transfer end interrupt request can be generated after completion of the specified number of transfer operations.

Table 16.3 summarizes the register update operation in normal transfer mode, and Figure 16.2 shows the operation in normal transfer mode.

Table 16.3 Register Update Operation in Normal Transfer Mode

Register	Function	Update Operation after Completion of a Transfer by One Transfer Request
DMACm.DMSAR	Transfer source address	Increment/decrement/fixe/d/offset addition*1
DMACm.DMDAR	Transfer destination address	Increment/decrement/fixe/d/offset addition*1
DMACm.DMCRAL	Transfer count	Decremented by one/not updated (in free running mode)
DMACm.DMCRAH	—	Not updated (Not used in normal transfer mode)
DMACm.DMCRB	—	Not updated (Not used in normal transfer mode)

Note 1. Offset addition can be specified only for DMAC0.

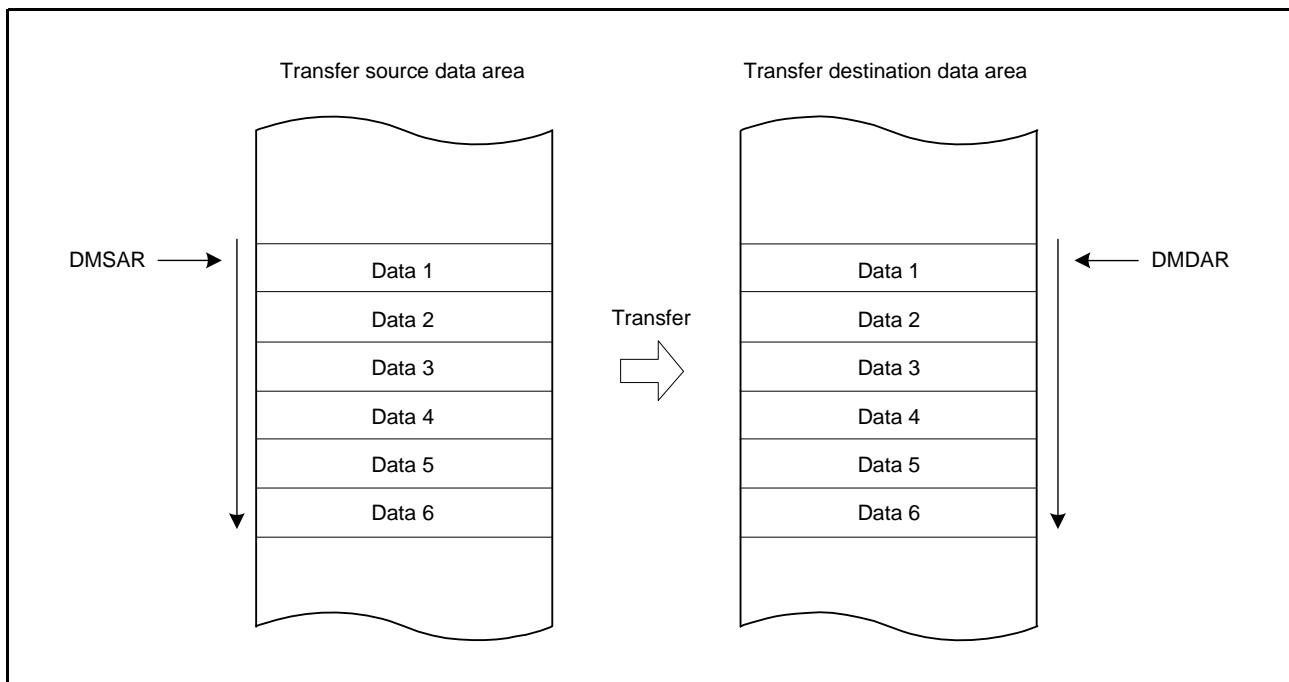


Figure 16.2 Operation in Normal Transfer Mode

(2) Repeat Transfer Mode

In repeat transfer mode, one data is transferred by one transfer request.

A maximum of 1K data can be set as a total repeat transfer size using DMCRA of the DMACm.

A maximum of 1K can be set as the number of repeat transfer operations using DMCRB of the DMACm; therefore, a maximum of 1M data (1K data × 1K count of repeat transfer operations) can be set as a total data transfer size.

Either the transfer source or transfer destination can be specified as a repeat area. When transfer of the repeat size data is completed, the address of the specified repeat area (DMSAR or DMDAR of the DMACm) returns to the transfer start address. When data of the specified repeat size has all been transferred in repeat transfer mode, DMA transfer can be stopped and the repeat size end interrupt can be requested. DMA transfer can be resumed by writing 1 to the DTE bit in DMCNT of DMACm in the repeat size end interrupt handling.

A transfer end interrupt request can be generated after completion of the specified number of repeat transfer operations. Table 16.4 summarizes the register update operation in repeat transfer mode, and Figure 16.3 shows the operation in repeat transfer mode.

Table 16.4 Register Update Operation in Repeat Transfer Mode

Register	Function	Update Operation after Completion of a Transfer by One Transfer Request	
		When DMACm.DMCRAL is not 1	When DMACm.DMCRAL is 1 (Transfer of the Last Data in Repeat Size)
DMACm.DMSAR	Transfer source address	Increment/decrement/fixe d/offset addition*1	<ul style="list-style-type: none"> • DMACm.DMTMD.DTS[1:0] = 00b Increment/decrement/fixe d/offset addition*1 • DMACm.DMTMD.DTS[1:0] = 01b Initial value of DMACm.DMSAR • DMACm.DMTMD.DTS[1:0] = 10b Increment/decrement/fixe d/offset addition*1
DMACm.DMDAR	Transfer destination address	Increment/decrement/fixe d/offset addition*1	<ul style="list-style-type: none"> • DMACm.DMTMD.DTS[1:0] = 00b Initial value of DMACm.DMDAR • DMACm.DMTMD.DTS[1:0] = 01b Increment/decrement/fixe d/offset addition*1 • DMACm.DMTMD.DTS[1:0] = 10b Increment/decrement/fixe d/offset addition*1
DMACm.DMCRAH	Repeat size	Not updated	Not updated
DMACm.DMCRAL	Transfer count	Decremente d by one	DMACm.DMCRAH
DMACm.DMCRB	Count of repeat transfer operations	Not updated	Decremente d by one

Note 1. Offset addition can be specified only for DMAC0.

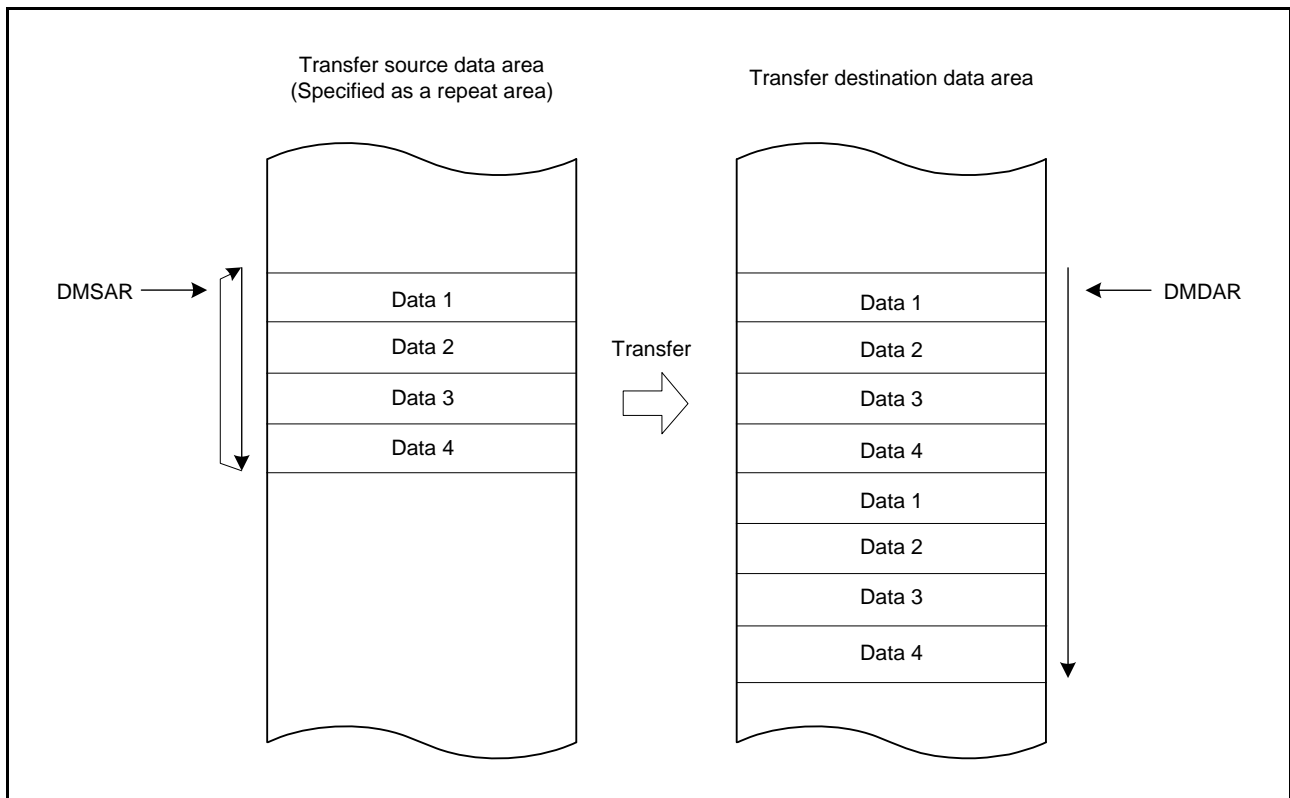


Figure 16.3 Operation in Repeat Transfer Mode

(3) Block Transfer Mode

In block transfer mode, a single block data is transferred by one transfer request.

A maximum of 1K data can be set as a total block transfer size using DMCRA of the DMACm.

A maximum of 1M can be set as the number of block transfer operations using DMCRB of the DMACm; therefore, a maximum of 1M data (1K data × 1K count of block transfer operations) can be set as a total data transfer size.

Either the transfer source or transfer destination can be specified as a block area. When transfer of a single block data is completed, the address of the specified block area (DMSAR or DMDAR of the DMACm) returns to the transfer start address. When a single block data has all been transferred in block transfer mode, DMA transfer can be stopped and the repeat size end interrupt can be requested. DMA transfer can be resumed by writing 1 to the DTE bit in DMCNT of DMACm in the repeat size end interrupt handling.

Transfer end interrupt request can be generated after completion of the specified number of block transfer operations. Table 16.5 summarizes the register update operation in block transfer mode, and Figure 16.4 shows the operation in block transfer mode.

Table 16.5 Register Update Operation in Block Transfer Mode

Register	Function	Update Operation after Completion of Single-Block Transfer by One Transfer Request
DMACm.DMSAR	Transfer source address	<ul style="list-style-type: none"> DMACm.DMTMD.DTS[1:0] = 00b Increment/decrement/fixed/offset addition*1 DMACm.DMTMD.DTS[1:0] = 01b Initial value of DMACm.DMSAR DMACm.DMTMD.DTS[1:0] = 10b Increment/decrement/fixed/offset addition*1
DMACm.DMDAR	Transfer destination address	<ul style="list-style-type: none"> DMACm.DMTMD.DTS[1:0] = 00 b Initial value of DMACm.DMDAR DMACm.DMTMD.DTS[1:0] = 01 b Increment/decrement/fixed/offset addition*1 DMACm.DMTMD.DTS[1:0] = 10 b Increment/decrement/fixed/offset addition*1
DMACm.DMCRAH	Block size	Not updated
DMACm.DMCRAL	Transfer count	DMACm.DMCRAH
DMACm.DMCRB	Count of block transfer operations	Decrement by one

Note 1. Offset addition can be specified only for DMAC0.

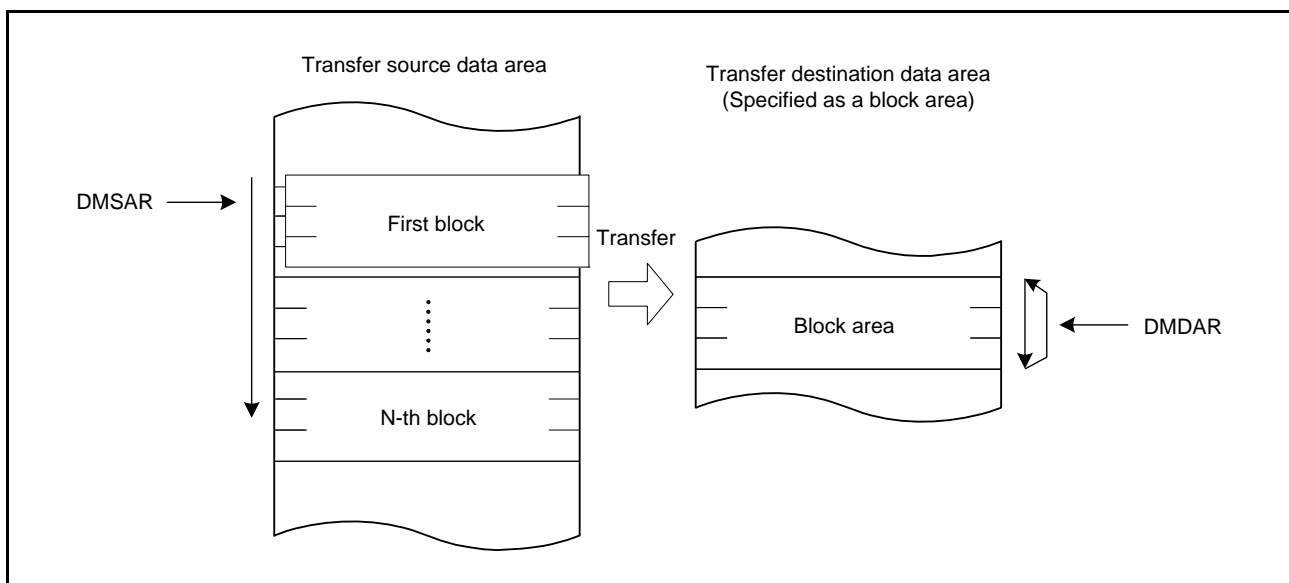


Figure 16.4 Operation in Block Transfer Mode

16.3.2 Extended Repeat Area Function

The DMAC supports a function to specify the extended repeat areas on the transfer source and destination addresses. With the extended repeat areas set, the address registers repeatedly indicate the addresses of the specified extended repeat areas.

The extended repeat areas can be specified separately to the transfer source address register (DMSAR) and transfer destination address register (DMDAR) of DMACm.

The extended repeat area on the source address is specified by the SARA[4:0] bits in DMAMD of DMACm. The extended repeat area on the destination address is specified by the DARA[4:0] bits in DMAMD of DMACm. The size can be specified separately for the source and destination sides.

However, the area (of transfer source or transfer destination) which is specified as the repeat area or block area should not be specified as the extended repeat area.

When the address register value reaches the end address of the extended repeat area and the extended repeat area overflows, DMA transfer is stopped and an interrupt by an extended repeat area overflow can be requested. When an overflow occurs in the extended repeat area on the transfer source while the SARIE bit in DMINT of DMACm is set to 1, the ESIF flag in DMSTS of DMACm is set to 1 and the DTE bit in DMCNT of DMACm is cleared to 0 to stop DMA transfer. At this time, if the ESIE bit in DMINT of DMACm is set to 1, an interrupt by an extended repeat area overflow is requested. When the DARIE bit in DMINT of DMACm is set to 1, the destination address register becomes a target to apply the function. DMA transfer can be resumed by writing 1 to the DTE bit in DMCNT of DMACm in the interrupt handling.

Figure 16.5 shows an example of the extended repeat area operation.

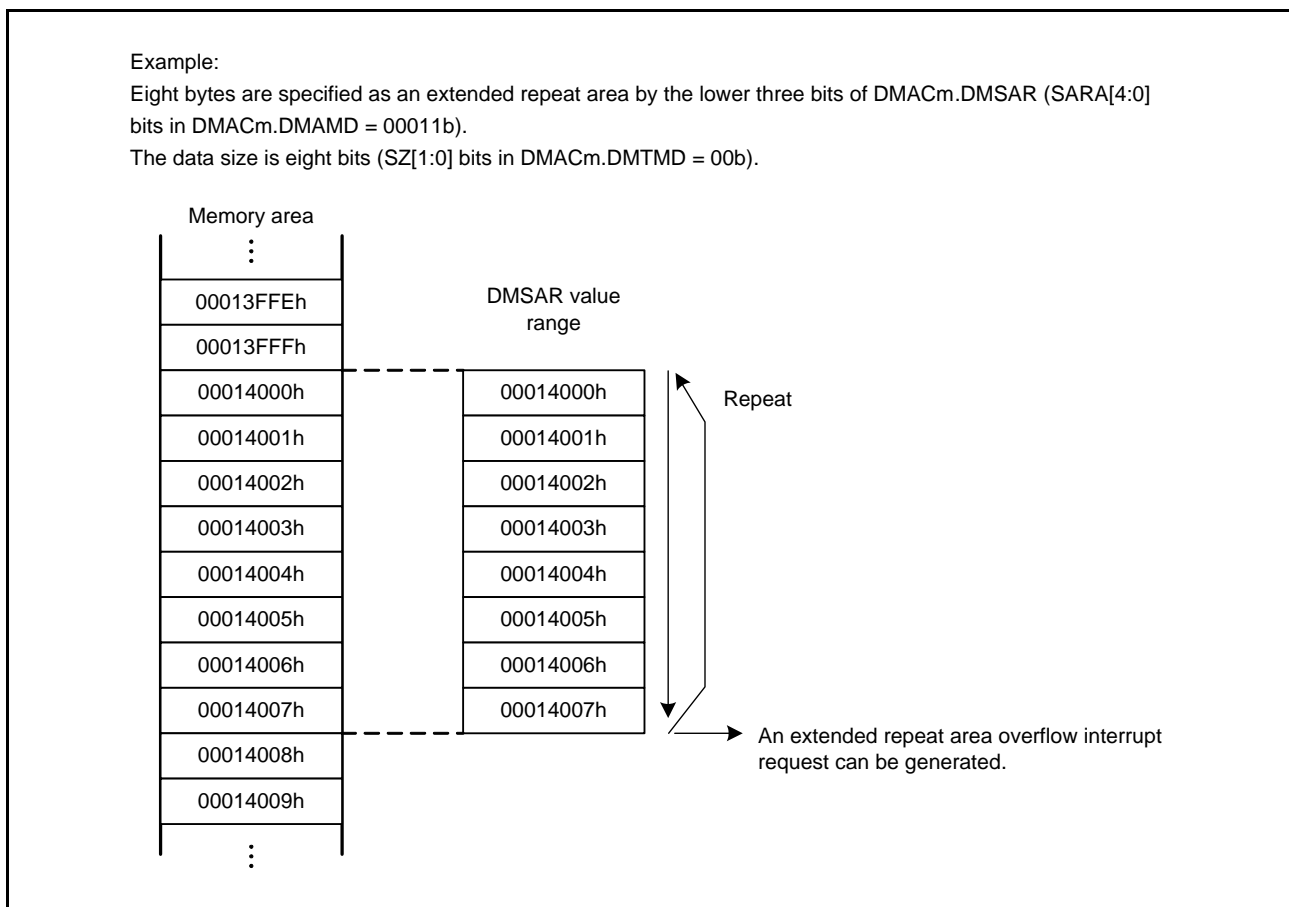


Figure 16.5 Example of Extended Repeat Area Operation

When an interrupt by an extended repeat area overflow is used in block transfer mode, the following should be taken into consideration.

When a transfer is stopped by an interrupt by an extended repeat area overflow, the address register must be set so that the block size is a power of 2 or the block size boundary is aligned with the extended repeat area boundary. When an overflow on the extended repeat area occurs during a transfer of one block, the interrupt by the overflow is suspended until transfer of the block is completed, and the transfer overruns.

Figure 16.6 shows an example when the extended repeat area function is used in block transfer mode.

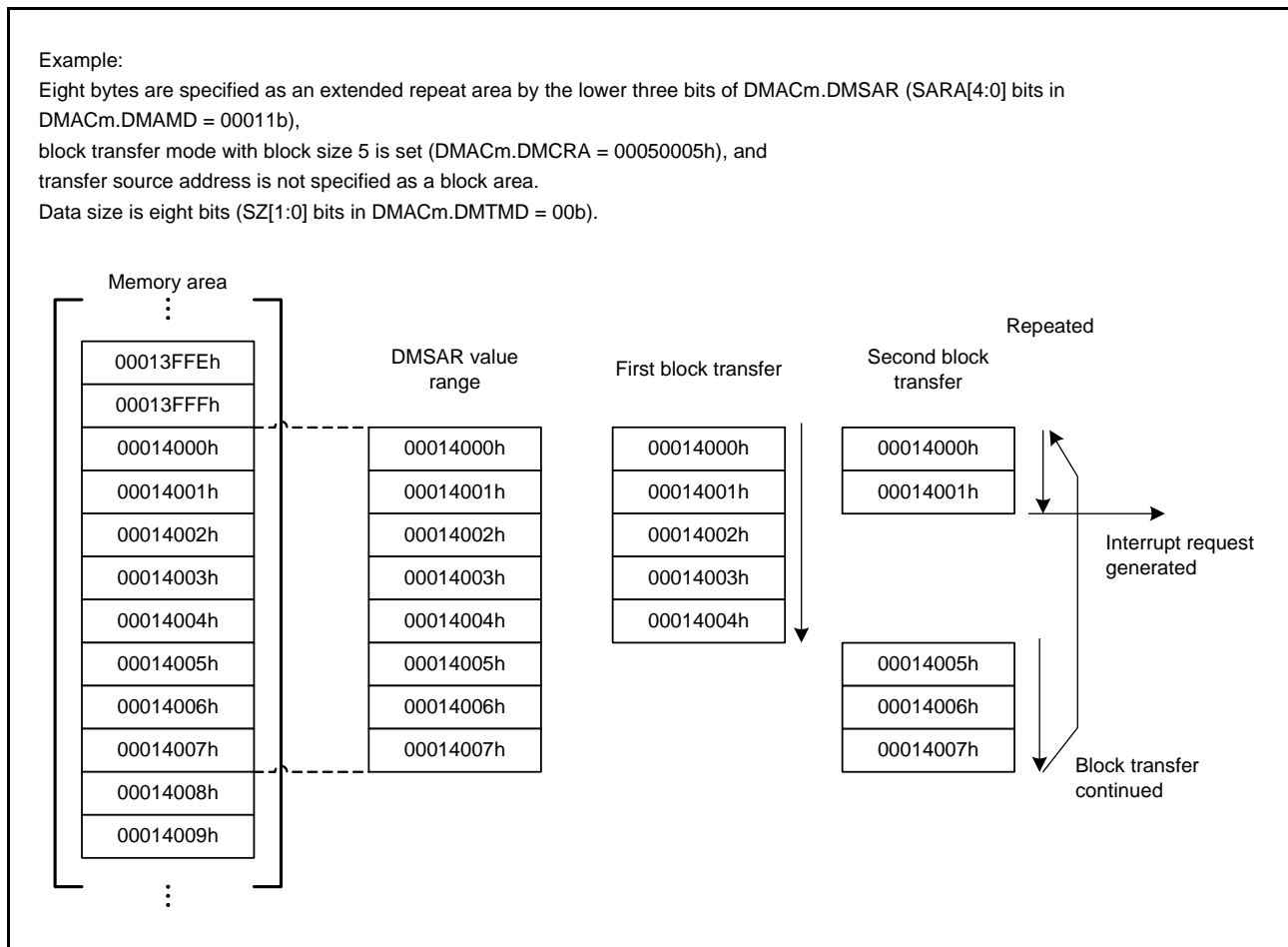


Figure 16.6 Example of Extended Repeat Area Function in Block Transfer Mode

16.3.3 Address Update Function Using Offset

The source and destination addresses can be updated by fixing, increment, decrement, or offset addition. When the offset addition is selected, the offset specified by the DMA offset register (DMOFR of DMAC0) is added to the address every time the DMAC performs one data transfer. This function realizes a data transfer where addresses are allocated to separated areas.

Offset subtraction can also be realized by setting a negative value in DMOFR of DMAC0. In this case, the negative value must be 2's complement.

Address update function using offset can be specified only for the DMAC0 channel.

Table 16.6 shows the address update method in each address update mode.

Table 16.6 Address Update Method in Each Address Update Mode

Address Update Mode	Settings of DMACm.DMAMD.SM[1:0] and DMACm.DMAMD.DM[1:0] for Address Update Modes	Address Update Method (for Different SZ[1:0] Settings in DMTMD of DMACm)		
		SZ[1:0] = 00b	SZ[1:0] = 01b	SZ[1:0] = 10b
Address fixed	00b	Fixed		
Offset addition	01b	+DMACm.DMOFR*1		
Increment	10b	+1	+2	+4
Decrement	11b	-1	-2	-4

Note 1. When setting a negative value in the DMA offset register, the value must be 2's complement. The 2's complement is obtained by the following formula.

2's complement of a negative offset value = $\sim(\text{offset}) + 1$ (\sim : bit inversion)

(1) Basic Transfer Using Offset Addition

Figure 16.7 shows an example of address updating using offset addition.

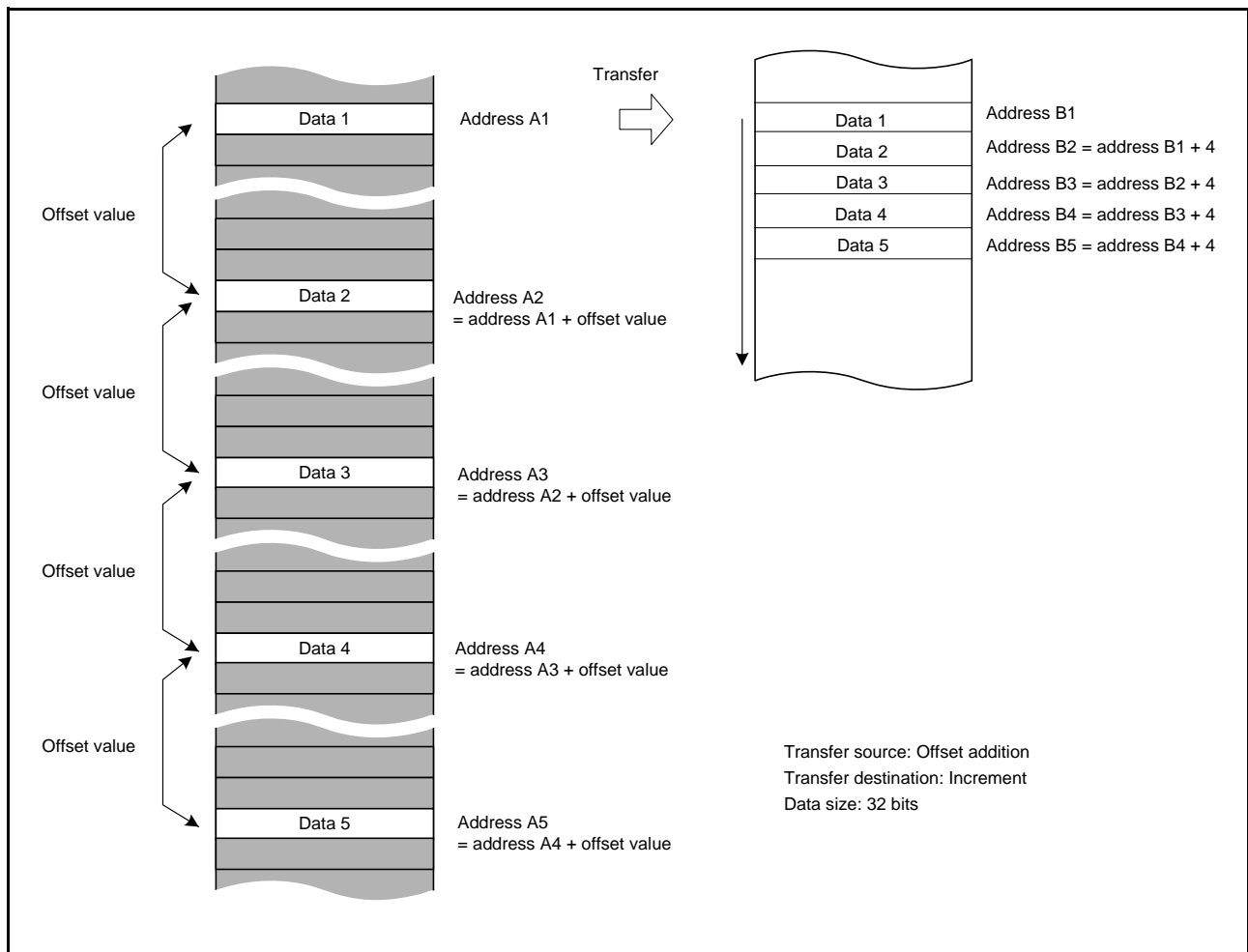


Figure 16.7 Example of Address Updating by Offset Addition

In Figure 16.7, the transfer data is 32 bits long, and offset addition and increment are set as the transfer source address update mode and transfer destination address update mode, respectively. The second and subsequent data is each read from the transfer source address obtained by adding the offset value to the previous address. The data read from the addresses at the specified intervals is written to the continuous locations on the destination.

(2) Example of XY Conversion Using Offset Addition

Figure 16.8 shows the XY conversion using offset addition in repeat transfer mode.

Settings are as follows:

- DMAC0.DMAMD: Transfer source address update mode: Offset addition
- DMAC0.DMAMD: Transfer destination address update mode: Destination address is incremented.
- DMAC0.DMTMD: Transfer data size select: 32 bits
- DMAC0.DMTMD: Transfer mode select: Repeat transfer
- DMAC0.DMTMD: Repeat area select: The source is specified as the repeat area.
- DMAC0.DMOFR: Offset address: 10h
- DMAC0.DMCRA: Repeat size: 4h
- DMAC0.DMINT: The repeat size end interrupt is enabled.

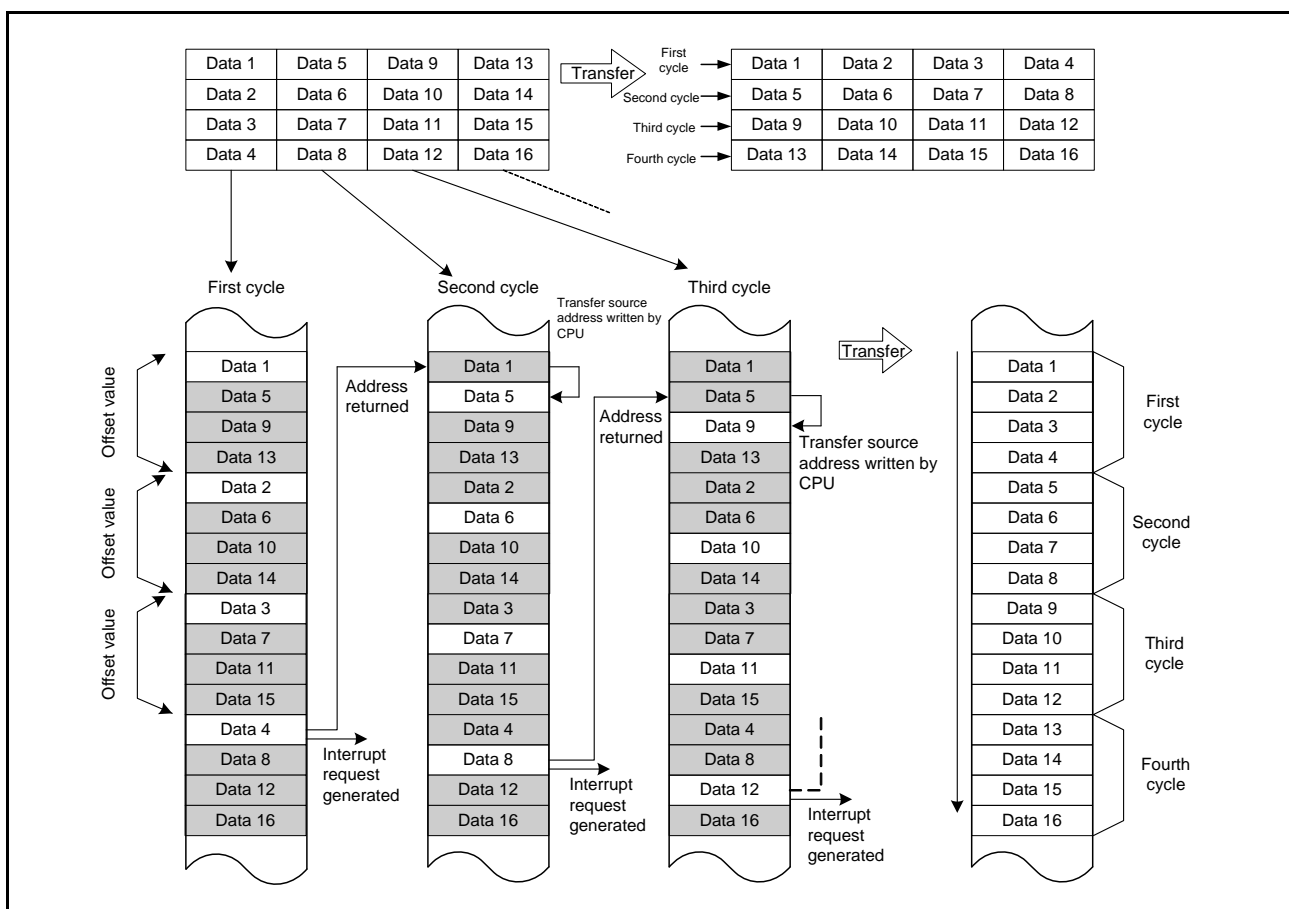


Figure 16.8 XY Conversion Operation Using Offset Addition in Repeat Transfer Mode

When a transfer starts, the offset value is added to the transfer source address every time data is transferred. The transfer data is written to the destination continuous addresses. When data 4 is transferred, which means that the repeat size of transfers is completed, the transfer source address returns to the transfer start address (address of data 1 on the transfer source) and a repeat size end interrupt is requested. While this interrupt stops the transfer temporarily, perform the following.

- DMAC0.DMSAR: Rewrite the DMA transfer source address to the address of data 5 (with the above example, the data 1 address + 4).
- DMAC0.DMCNT: Set the DTE bit to 1.

The DMA transfer is resumed from the state when the DMA transfer is stopped. After that, the operations described above are repeated until the transfer source data is transposed to the destination area (XY conversion).

Figure 16.9 shows a flowchart of the XY conversion.

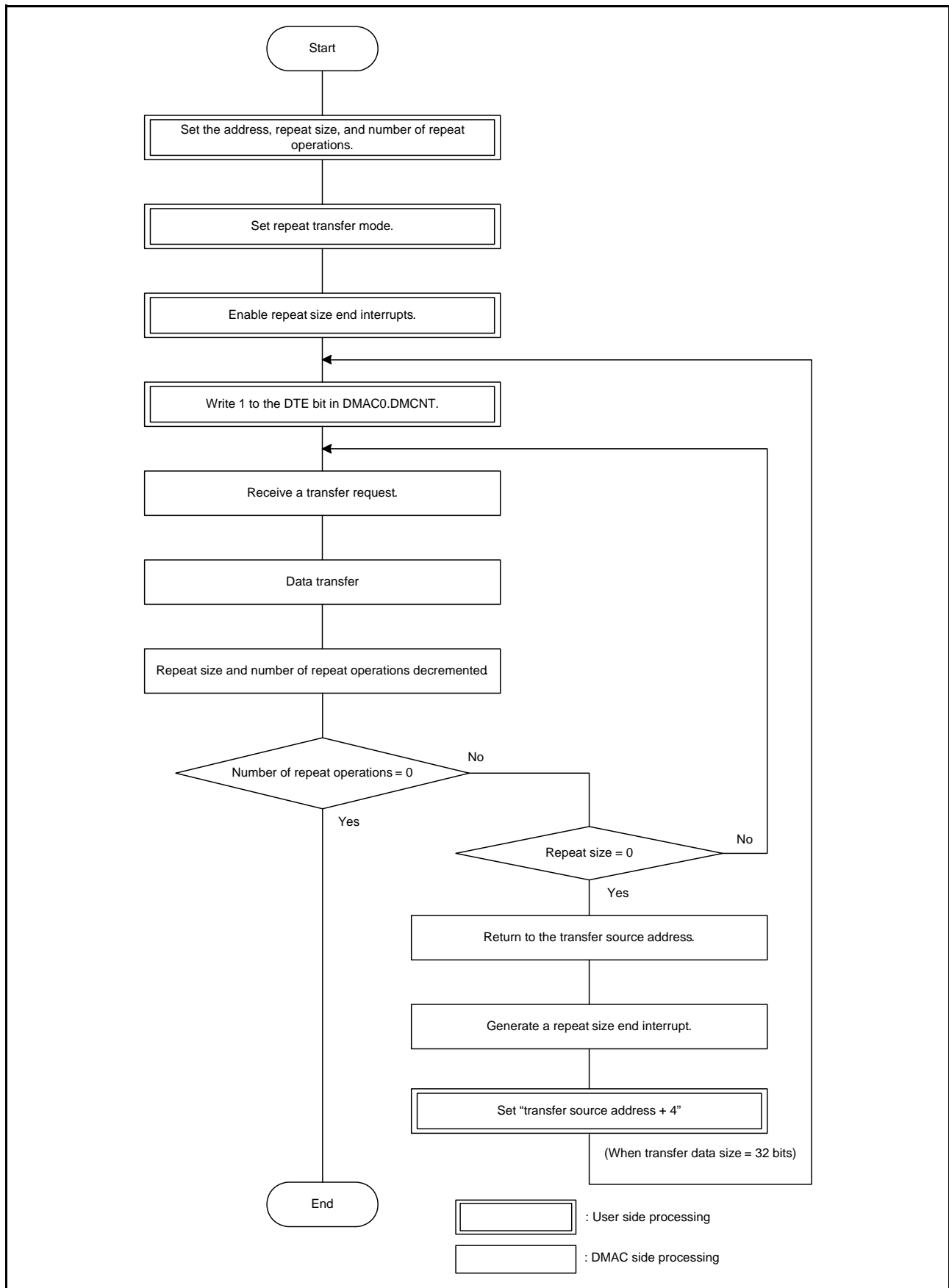


Figure 16.9 XY Conversion Flowchart Using Offset Addition in Repeat Transfer Mode

16.3.4 Activation Sources

Software, the interrupt requests from the peripheral modules, and the external interrupt requests can be specified as the DMAC activation sources. Setting the DCTG[1:0] bits in DMTMD of DMACm selects the activation source.

(1) DMAC Activation by Software

Setting the DCTG[1:0] bits in DMTMD of DMACm to 00b enables the DMAC activation by software.

To start DMA transfer by software, set the DCTG[1:0] bits in DMTMD of DMACm to 00b, and then set the DTE bit in DMCNT of DMACm to 1 (DMA transfer is enabled) and the SWREQ bit in DMREQ of DMACm to 1 (DMA transfer is requested) with the DMST bit in DMAST set to 1 (DMAC activation enabled).

When the DMAC is activated by software while the CLRS bit in DMREQ of DMACm is 0, the SWREQ bit in DMREQ of DMACm is cleared to 0 after data transfer is started in response to a DMA transfer request.

When the DMAC is activated by software while the CLRS bit is 1, the SWREQ bit is not cleared to 0 after data transfer is started. In this case, a DMA transfer request is issued again after completion of a transfer.

(2) DMAC Activation by Interrupt Requests from On-Chip Peripheral Modules or External Interrupt Requests

Interrupt requests from the on-chip peripheral modules and external interrupt requests can be specified as the DMAC activation sources. The activation source can be selected separately for each channel using the DMRSRm registers (m = 0 to 3) of the ICU.

The DMAC is activated when an interrupt request from the on-chip peripheral module or an external interrupt request is generated while the DCTG[1:0] bits in DMTMD of DMACm is set to 01b (interrupts from the peripheral modules and the external interrupt pins are selected), the DTE bit in DMCNT of DMACm is set to 1 (DMA transfer is enabled), and the DMST bit in DMAST is set to 1 (DMAC activation is enabled).

For interrupt requests specified as DMAC activation sources, see Table 14.3, Interrupt Vector Table, in section 14, Interrupt Controller (ICUb).

16.3.5 Operation Timing

Figure 16.10 and Figure 16.11 show DMAC operation timing examples.

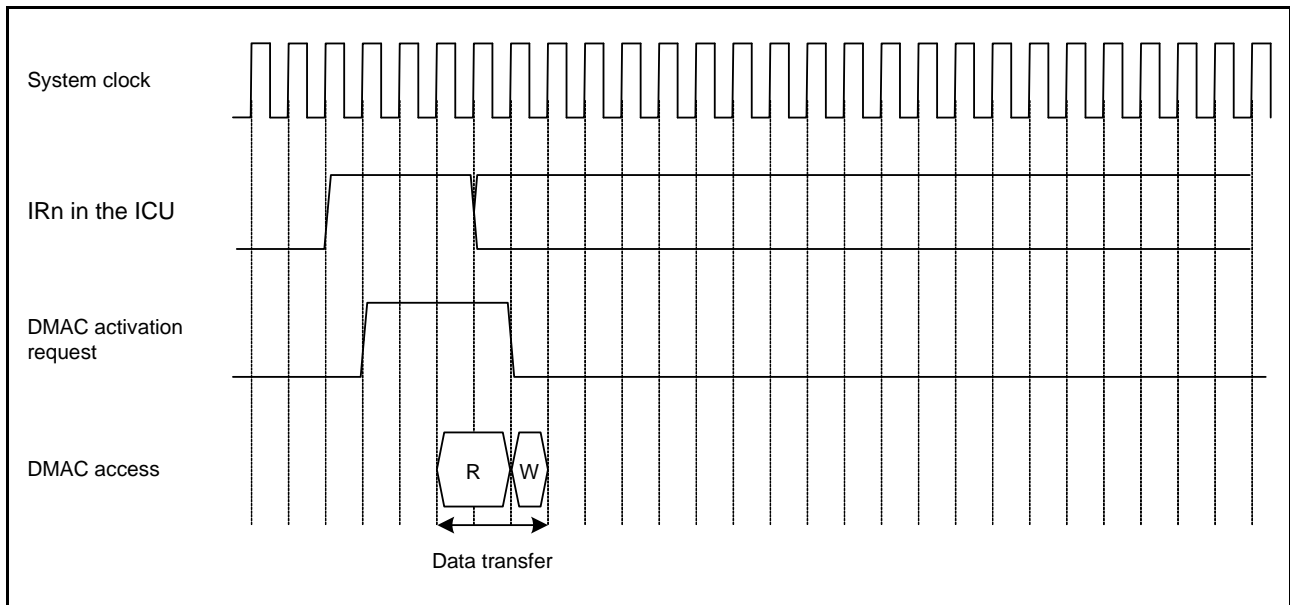


Figure 16.10 DMAC Operation Timing Example (1) (DMA Activation by Interrupt from Peripheral Module/ External Interrupt Input Pin, Normal Transfer Mode, Repeat Transfer Mode)

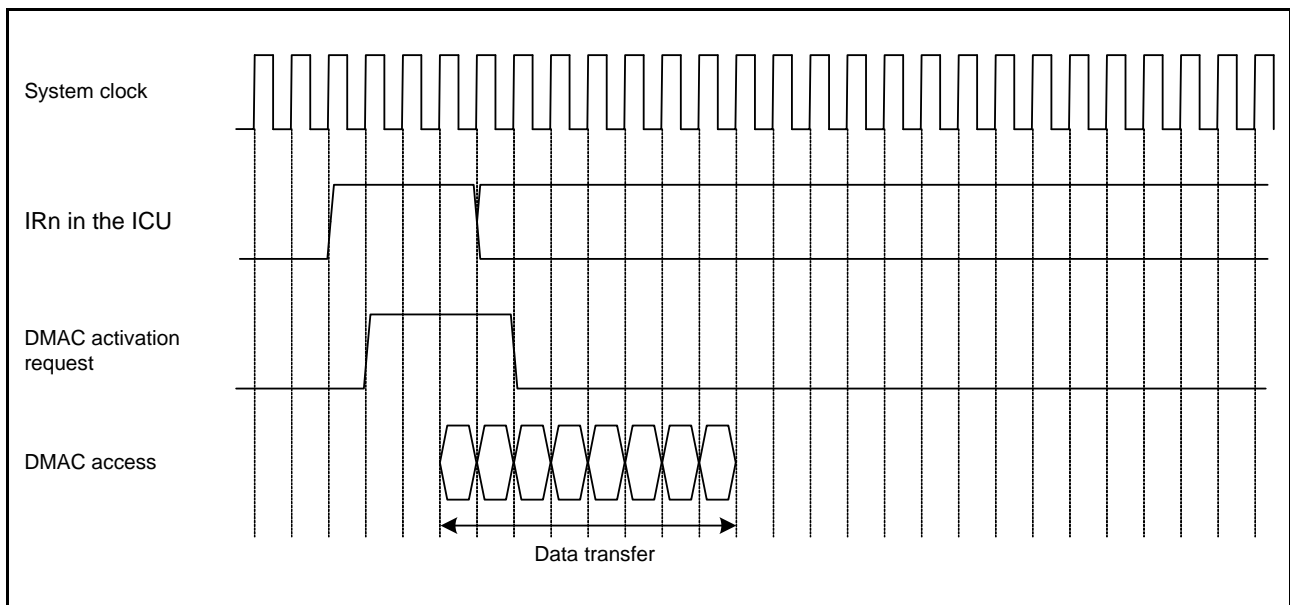


Figure 16.11 DMAC Operation Timing Example (2) (DMA Activation by Interrupt from Peripheral Module/ External Interrupt Input Pin, Block Transfer Mode, Block Size = 4)

16.3.6 DMAC Execution Cycles

Table 16.7 lists execution cycles in one DMAC data transfer operation.

Table 16.7 DMAC Execution Cycles

Transfer Mode	Data Transfer (Read)	Data Transfer (Write)
Normal	Cr+1	Cw
Repeat	Cr+1	Cw
Block*1	P × Cr	P × Cw

Note 1. This is the case when the block size is 2 or more. When the block size is 1, normal transfer cycle is applied.

P: Block size (DMCRAH register setting)

Cr: Data read destination access cycle

Cw: Data write destination access cycle

Cr and Cw depend on the access destination. For the number of cycles for each access destination, see section 39, RAM, section 40, ROM (Flash Memory for Code Storage), section 5, I/O Registers, and section 15.2.6, External Bus. The unit for +1 in “Data Transfer (Read)” column is one system clock cycle (ICLK).

For the operation example, see section 16.3.5, Operation Timing.

16.3.7 Activating the DMAC

Figure 16.12 shows the register setting procedure.

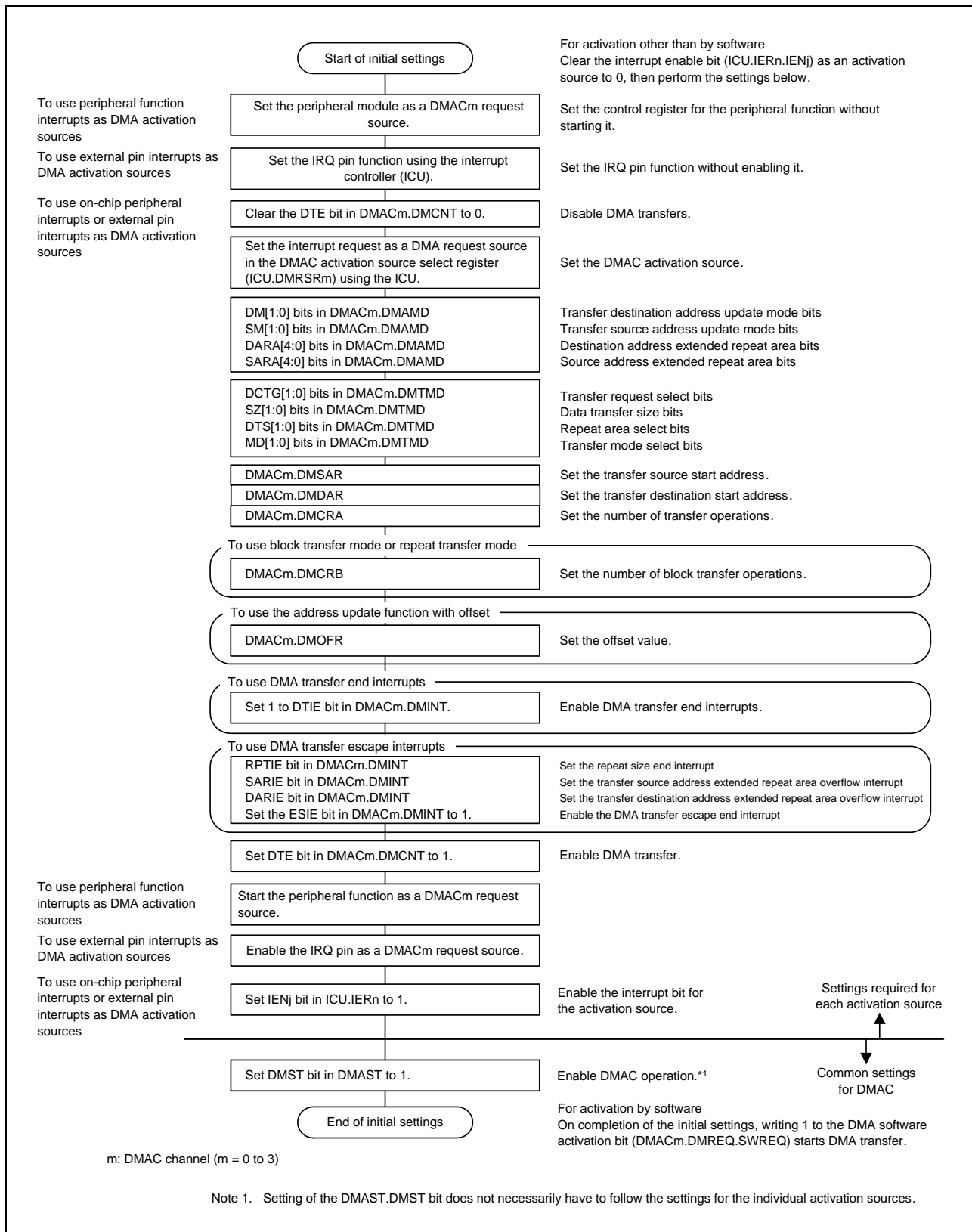


Figure 16.12 Register Setting Procedure

16.3.8 Starting DMA Transfer

Setting the DTE bit in DMCNT of DMACm to 1 (DMA transfer enabled) and setting the DMST bit in DMAST to 1 (DMAC start enabled) enable DMA transfer of channel m (m = 0 to 3).

Another activation request cannot be accepted during the transfer of other DMAC channel or DTC. When the proceeding transfer is completed, channel arbitration is performed where a DMA transfer request of the highest priority channel is accepted and DMA transfer of the channel starts. When DMA transfer starts, the ACT bit in DMSTS of DMACm is set to 1 (the DMAC is in the active state).

16.3.9 Registers during DMA Transfer

The DMAC registers are updated by a DMA transfer. The value to be updated differs according to the other settings and the transfer state. The registers to be updated are DMSAR, DMDAR, DMCRA, DMCRB, DMCNT, and DMSTS of DMACm.

(1) DMA Source Address Register (DMACm.DMSAR)

When data has been transferred in response to one transfer request, the contents of DMSAR are updated to the address to be accessed by the next transfer request.

For details on register update operation in each transfer mode, refer to Table 16.3 to Table 16.5.

(2) DMA Destination Address Register (DMACm.DMDAR)

When data has been transferred in response to one transfer request, the contents of DMDAR are updated to the address to be accessed by the next transfer request.

For details on register update operation in each transfer mode, refer to Table 16.3 to Table 16.5.

(3) DMA Transfer Count Register (DMACm.DMCRA)

When data has been transferred in response to one transfer request, the count value is updated. The update operation depends on the transfer mode selected.

For details on register update operation in each transfer mode, refer to Table 16.3 to Table 16.5.

(4) DMA Block Transfer Count Register (DMACm.DMCRB)

When data has been transferred in response to one transfer request, the count value is updated. The update operation depends on the transfer mode selected.

For details on register update operation in each transfer mode, refer to Table 16.3 to Table 16.5.

(5) DMA Transfer Enable Bit (DMACm.DMCNT.DTE)

Although the DMACm.DMCNT.DTE bit enables or disables data transfer by the register write access, it is automatically cleared to 0 by the DMAC according to the DMA transfer state.

The conditions for clearing this bit by the DMAC are as follows:

- When the specified total volume of data transfer is completed
- When DMA transfer is stopped by the repeat size end interrupt
- When DMA transfer is stopped by the extended repeat area overflow interrupt

Writing to the registers for the channels when the corresponding DMACm.DMCNT.DTE bit is set to 1 is prohibited (except for DMACm.DMCNT). In this case, writing must be performed after the bit is cleared to 0.

(6) DMA Active Flag (DMACm.DMSTS.ACT)

The ACT bit in DMSTS of DMACm indicates whether the DMACm is in the idle or active state.

This flag is set to 1 when the DMAC starts data transfer, and is cleared to 0 when data transfer in response to one transfer request is completed.

Even when DMA transfer is stopped by writing 0 to the DTE bit in DMCNT of DMACm during DMA transfer, this flag remains 1 until DMA transfer is completed.

(7) Transfer End Interrupt Flag (DMACm.DMSTS.DTIF)

The DTIF flag in DMSTS of DMACm is set to 1 after DMA transfer of the total transfer size of data is completed.

When both this flag and the DTIE bit in DMINT of DMACm are set to 1, a transfer end interrupt is requested.

This flag is set to 1 when the DMA transfer bus cycle is completed and the ACT flag in DMSTS of DMACm is cleared to 0 indicating the DMA transfer end.

This flag is automatically cleared to 0 when the DTE bit in DMCNT of DMACm is set to 1 during the interrupt handling.

(8) Transfer Escape End Interrupt Flag (DMACm.DMSTS.ESIF)

The ESIF flag in DMSTS of DMACm is set to 1 when a repeat size end interrupt or extended repeat area overflow interrupt is requested. When this bit and the ESIE bit in DMINT of DMACm are set to 1, a transfer escape end interrupt is requested.

This flag is set to 1 when the bus cycle of the DMA transfer having caused the interrupt request is completed and the ACT flag in DMSTS of DMACm is cleared to 0 indicating the DMA transfer end.

This flag is automatically cleared to 0 when the DTE bit in DMCNT of DMACm is set to 1 during an interrupt handling.

Before sending an interrupt request from the DMAC to the CPU or the DTC, the interrupt control register must be set.

For details, see section 14, Interrupt Controller (ICUb).

16.3.10 Channel Priority

When multiple DMA transfer requests are present, the DMAC determines the priority of channels that have DMA transfer requests.

The channel priority is fixed as channel 0 > channel 1 > channel 2 > channel 3 (channel 0: highest).

When a DMA transfer request is generated during data transfer, channel arbitration is started after the final data has been transferred, and DMA transfer of the higher-priority channel starts.

16.4 Ending DMA Transfer

The operation for ending DMA transfer depends on the transfer end conditions. When DMA transfer ends, the DTE bit in DMCNT and the ACT flag in DMSTS of DMACm are changed from 1 to 0, indicating that DMA transfer has ended.

16.4.1 Transfer End by Completion of Specified Total Number of Transfer Operations

(1) In Normal Transfer Mode (DMACm.DMTMD.MD[1:0] = 00b)

When the value of DMCRAL of DMACm changes from 1 to 0, DMA transfer ends on the corresponding channel, and the DTE bit in DMCNT of DMACm is cleared to 0 and the DTIF bit in DMSTS of DMACm is set to 1 at the same time. If the DTIE bit in DMINT of DMACm is 1 at this time, a transfer end interrupt request is issued to the CPU or the DTC.

(2) In Repeat Transfer Mode (DMACm.DMTMD.MD[1:0] = 01b)

When the value of DMCRB of DMACm changes from 1 to 0, DMA transfer ends on the corresponding channel, and the DTE bit in DMCNT of DMACm is cleared to 0 and the DTIF bit in DMSTS of DMACm is set to 1 at the same time. If the DTIE bit in DMINT of DMACm is 1 at this time, an interrupt request is issued to the CPU or the DTC.

(3) In Block Transfer Mode (DMACm.DMTMD.MD[1:0] = 10b)

When the value of DMCRB of DMACm changes from 1 to 0, DMA transfer ends on the corresponding channel, and the DTE bit in DMCNT of DMACm is cleared to 0 and the DTIF bit in DMSTS of DMACm is set to 1 at the same time. If the DTIE bit in DMINT of DMACm is 1 at this time, an interrupt request is issued to the CPU or the DTC.

Before sending an interrupt request from the DMAC to the CPU or the DTC, the interrupt control register must be set. For details, see section 14, Interrupt Controller (ICUb).

16.4.2 Transfer End by Repeat Size End Interrupt

In repeat transfer mode, a repeat size end interrupt is requested when transfer of a 1-repeat size of data is completed while the RPTIE bit in DMINT of DMACm is set to 1. When the interrupt is requested to complete DMA transfer, the DTE bit in DMCNT of DMACm is cleared to 0 and the ESIF flag in DMSTS of DMACm is set to 1. If the ESIE bit in DMINT of DMACm is 1 at this time, an interrupt request is issued to the CPU or the DTC. Here, the transfer can be resumed by writing 1 to the DTE bit in DMCNT of DMACm.

A repeat size end interrupt can be requested also in block transfer mode. In block transfer mode, the interrupt is requested in the same way as in repeat transfer mode when transfer of a 1-block size data is completed.

Before sending an interrupt request from the DMAC to the CPU or the DTC, the interrupt control register must be set. For details, see section 14, Interrupt Controller (ICUb).

16.4.3 Transfer End by Interrupt on Extended Repeat Area Overflow

When an overflow on the extended repeat area occurs while the extended repeat area is specified and the SARIE or DARIE bit in DMINT of DMACm is set to 1, an interrupt by an extended repeat area overflow is requested. When the interrupt is requested, the DMA transfer is terminated, the DTE bit in DMCNT of DMACm is cleared to 0, and the ESIF flag in DMSTS of DMACm is set to 1. If the ESIE bit in DMINT of DMACm is 1 at this time, an interrupt request is issued to the CPU or the DTC.

Even if an interrupt by an extended repeat area overflow is requested during a read cycle, the following write cycle is performed.

In block transfer mode, even if an interrupt by an extended repeat area overflow is requested during a 1-block transfer, the remaining data in the block is transferred; transfer is terminated after a block transfer.

Before sending an interrupt request from the DMAC to the CPU or the DTC, the interrupt control register must be set. For details, see section 14, Interrupt Controller (ICUb).

16.5 Interrupts

Each DMAC channel can output an interrupt request to the CPU or the DTC after transfer in response to one request is completed. When the transfer destination is the external bus or the on-chip peripheral bus, an interrupt request is generated upon completion of data write to the write buffer not to the actual transfer destination.

Table 16.8 lists the relation among the interrupt sources, the interrupt status flags, and the interrupt enable bits. Figure 16.13 shows the schematic logic diagram of interrupt outputs. Figure 16.14 shows the DMAC interrupt handling routine to resume or terminate DMA transfer.

Table 16.8 Relation among Interrupt Sources, Interrupt Status Flags, and Interrupt Enable Bits

Interrupt Sources		Interrupt Enable Bits	Interrupt Status Flags	Request Output Enable Bits
Transfer end		—	DMACm.DMSTS.DTIF	DMACm.DMINT.DTIE
Escape transfer end	Repeat size end	DMACm.DMINT.RPTIE	DMACm.DMSTS.ESIF	DMACm.DMINT.ESIE
	Source address extended repeat area overflow	DMACm.DMINT.SARIE		
	Destination address extended repeat area overflow	DMACm.DMINT.DARIE		

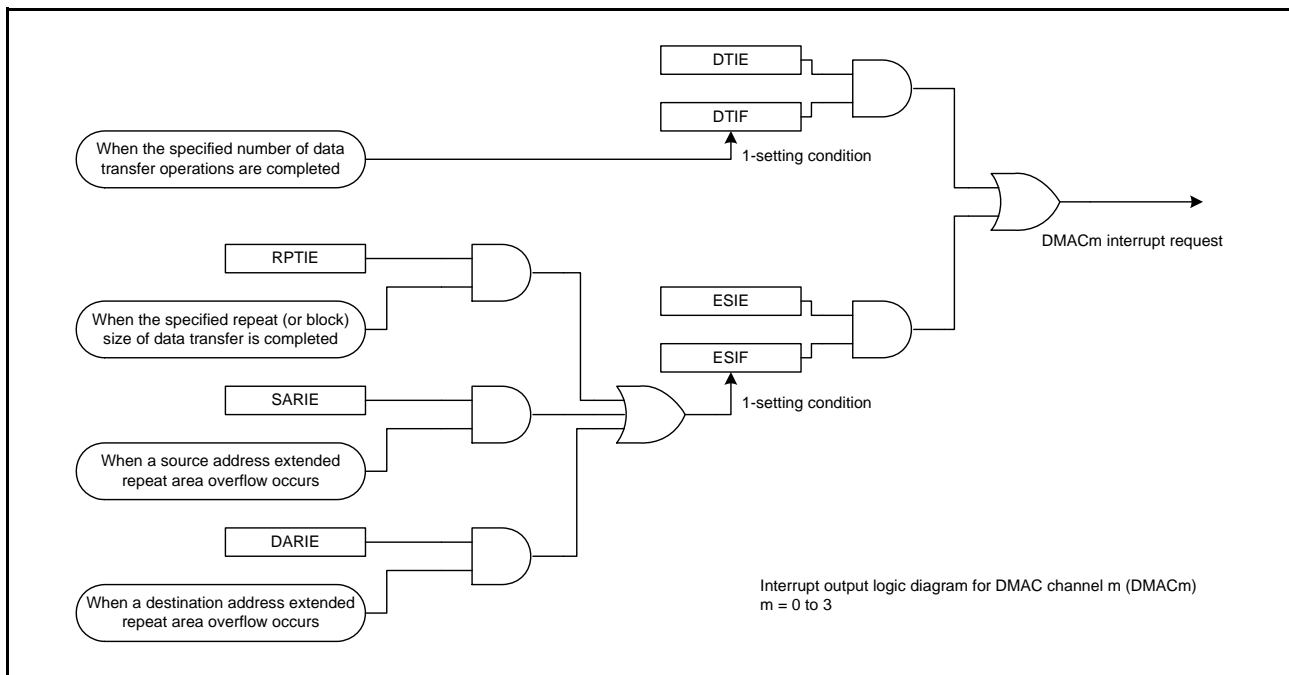


Figure 16.13 Schematic Logic Diagram of Interrupt Outputs

Specifically, the different procedures are used for canceling an interrupt to restart DMA transfer in the following two cases: (1) discontinuing or terminating DMA transfer and (2) continuing DMA transfer.

(1) When Discontinuing or Terminating DMA Transfer

Write 0 to the DTIF bit in DMSTS of DMACm to clear a transfer end interrupt, and to the ESIF bit in DMSTS of DMACm to clear a repeat size interrupt and an extended repeat area overflow interrupt. The DMACm remains in the stop state. When starting another DMA transfer after that, set the appropriate registers, and set the DTE bit in DMCNT of DMACm to 1 (DMA transfer enabled).

(2) When Continuing DMA Transfer

Write 1 to the DTE bit in DMCNT of DMACm. The ESIF bit in DMSTS of DMACm is automatically cleared to 0 (interrupt source cleared), and DMA transfer is resumed.

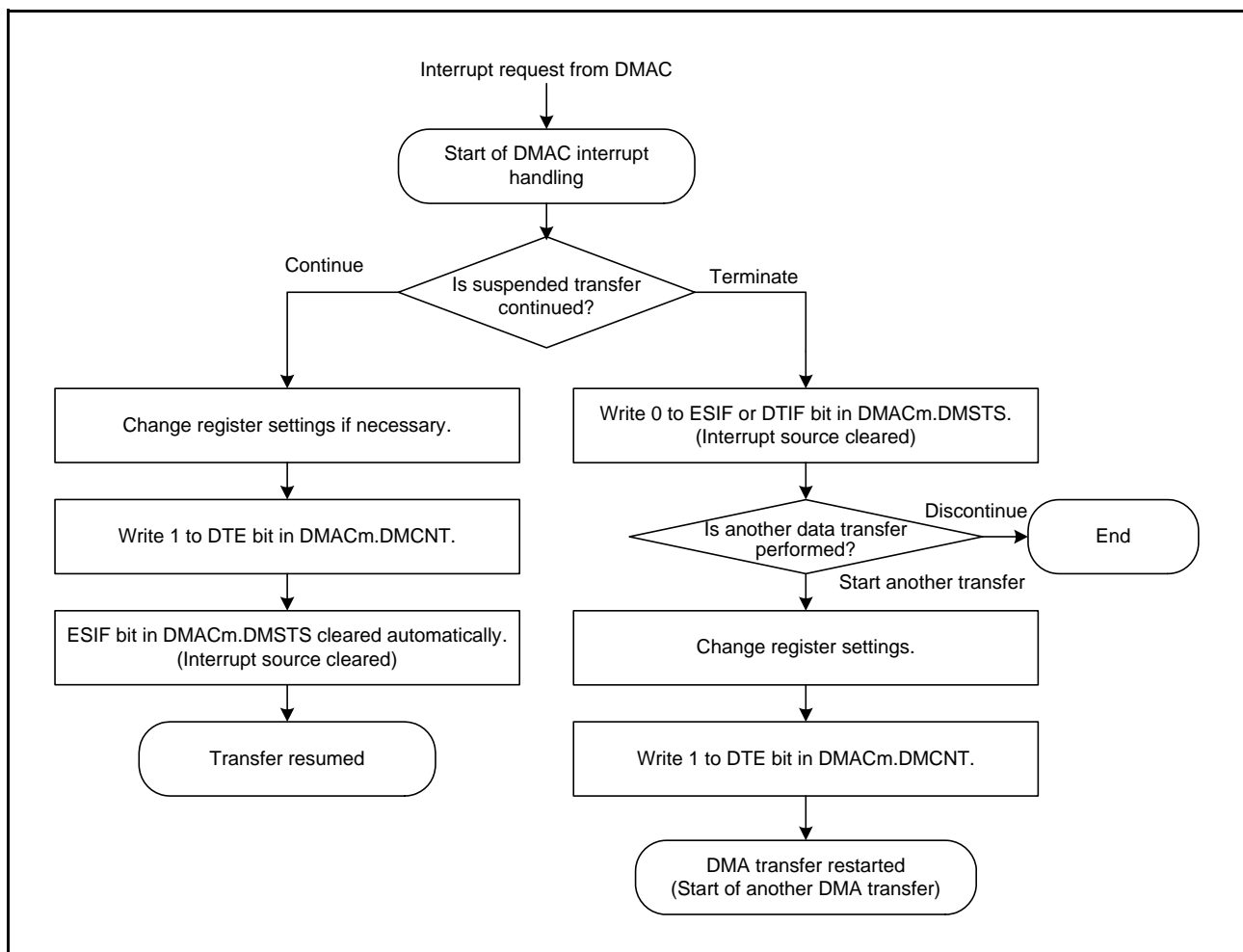


Figure 16.14 DMAC Interrupt Handling Routine to Resume/Terminate DMA Transfer

16.6 Event Link Function

Each DMAC channel outputs an event link request signal each time the channel completes data transfer (or block transfer in block transfer mode). However, when the transfer destination is the external bus or internal peripheral bus, an event link request signal is generated when the write to the write buffer is accepted.

16.7 Low Power Consumption Function

Before transition to the module stop state, all-module clock stop mode, software standby mode, or deep software standby mode, clear the DMST bit in DMAST to 0 (the DMAC suspended), and then perform the following.

(1) Module Stop Function

Writing 1 to the MSTPA28 bit (transition to the module-stop state) in MSTPCRA enables the module-stop function of the DMAC. If DMA transfer is in progress at the time 1 is written to the MSTPA28 bit, the transition to the module-stop state proceeds after DMA transfer has ended. While the MSTPA28 bit is 1, accessing the DMAC registers are prohibited. Writing 0 to the MSTPA28 bit releases the DMAC from the module-stop state.

(2) All-Module Clock Stop Mode

Make settings in accord with the procedure under section 11.6.2.1, Transition to All-Module Clock Stop Mode, in section 11, Low Power Consumption.

If DMA transfer operations are in progress at the time the WAIT instruction is executed, the transition to all-module clock stop mode follows the completion of DMA transfer.

The DMAC is released from the module-stop state by writing 0 to the MSTPCRA.MSTPA28 bit following recovery from all-module clock stop mode.

(3) Software Standby and Deep Software Standby Modes

Make settings in accord with the procedure under section 11.6.3.1, Transition to Software Standby Mode or section 11.6.4.1, Transition to Deep Software Standby Mode, in section 11, Low Power Consumption.

If DMA transfer operations are in progress at the time the WAIT instruction is executed, the transition to software standby or deep software standby follows the completion of DMA transfer.

(4) Note on Low Power Consumption Function

For the WAIT instruction and the register setting procedure, see section 11.7.6, Timing of WAIT Instructions in section 11, Low Power Consumption.

To perform DMA transfer after returning from low power consumption mode, set the DMST bit in DMAST to 1 again. To use a request that is generated in all-module clock stop mode and software standby mode as an interrupt request to the CPU but not as a DMAC startup request, specify the CPU as the interrupt request destination in accordance with the description in section 14.4.3, Selecting Interrupt Request Destinations in section 14, Interrupt Controller (ICUb), and then execute the WAIT instruction.

16.8 Usage Notes

16.8.1 DMA Transfer to External Devices

In DMA transfer to an external device, the ACT bit in DMSTS of DMACm may be cleared to 0 (DMAC transfer suspended) during the period from the beginning of the final data write to the end of the external bus access.

16.8.2 DMA Transfer to Peripheral Modules

In DMA transfer to a peripheral module, the ACT bit in DMSTS of DMACm may be cleared to 0 (DMAC transfer suspended) during the period from the beginning of the final data write to the end of the peripheral bus access.

16.8.3 Access to the Registers during DMA Transfer

The DMSAR, DMDAR, DMCRA, DMCRB, DMTMD, DMINT, DMAMD, DMOFR, and DMCSL registers of DMACm must not be accessed while the ACT bit in DMSTS of the same channel is set to 1 (DMAC active state) or the DTE bit in DMCNT of the same channel is set to 1 (DMA transfer enabled).

16.8.4 DMA Transfer to Reserved Areas

DMA transfer to the reserved areas is prohibited. If such an access is made, transfer results are not guaranteed. For details on the reserved areas, see section 4, Address Space.

16.8.5 Interrupt Request by the DMA Activation Source Flag Control Register (DMCSL) at the End of each Transfer

While the DMACm.DMCSL.DISEL bit is 1, an interrupt is issued to the CPU at the end of each transfer that has been activated by one DMA request. Unlike the transfer end interrupt that the DMAC outputs or the escape end interrupt, the interrupt of this type is issued to the CPU at the end of DMA transfer without clearing the interrupt flag of the DMAC activation source to 0 by changing the interrupt request destination to the CPU. In this case, since the interrupt flag is not cleared to 0 at the end of DMAC transfer, it should be cleared to 0 by the CPU interrupt routine.

The interrupt flag is cleared when the CPU interrupt is accepted.

For the change of the settings on the interrupt flag or the interrupt request destination, see section 14, Interrupt Controller (ICUb). For the DMACm.DMCSL.DISEL bit setting, see section 16.2.12, DMA Activation Source Flag Control Register (DMCSL).

16.8.6 Setting of DMAC Activation Source Select Register of the Interrupt Controller (ICU.DMRSRm)

The DMAC activation source select register (ICU.DMRSRm) should be set while the DMA transfer enable bit (DMACm.DMCNT.DTE) is cleared to 0 (DMA transfer is disabled). Moreover, the DTC activation enable register (ICU.DTCERm) that corresponds to the same vector number that has been set by the ICU.DMRSRm register should not be set to 1. For details on the ICU.DTCERn and ICU.DMRSRm, see section 14, Interrupt Controller (ICUb).

16.8.7 Suspending or Restarting DMA Activation

To suspend a DMA activation request, write 0 to the interrupt enable bit for the activation source (ICU.IERn.IENj bit).

To restart the DMA transfer, write 1 to the ICU.IERn.IENj bit with the setting shown in section 16.3.7, Activating the DMAC.

17. Data Transfer Controller (DTCa)

The RX210 Group incorporates a data transfer controller (DTC).

The DTC is activated by an interrupt request to control data transfer.

17.1 Overview

Table 17.1 lists the specifications of the DTC, and Figure 17.1 shows a block diagram of the DTC.

Table 17.1 DTC Specifications

Item	Description
Transfer mode	<ul style="list-style-type: none"> • Normal transfer mode A single activation leads to a single data transfer. • Repeat transfer mode A single activation leads to a single data transfer. The transfer address is returned to the transfer start address after the number of data transfers corresponding to "repeat size". The maximum repeat size is 256. • Block transfer mode A single activation leads to the transfer of a single block. The maximum block size is 256 data.
Transfer channel	<ul style="list-style-type: none"> • Channel transfer corresponding to the interrupt source is possible (transferred by DTC activation request from the ICU). • Data of multiple channels can be transferred on a single activation source (chain transfer). • Either "executed when the counter is 0" or "always executed" can be selected for chain transfer.
Transfer space	<ul style="list-style-type: none"> • In short-address mode: 16 Mbytes (Areas from 0000 0000h to 007F FFFFh and FF80 0000h to FFFF FFFFh excepting reserved areas) • In full-address mode: 4 Gbytes (Area from 0000 0000h to FFFF FFFFh excepting reserved areas)
Data transfer units	<ul style="list-style-type: none"> • Length of a single data: 8, 16, or 32 bits • Number of data for a single block: 1 to 256 data
CPU interrupt source	<ul style="list-style-type: none"> • An interrupt request can be generated to the CPU on a DTC activation interrupt. • An interrupt request can be generated to the CPU after a single data transfer. • An interrupt request can be generated to the CPU after data transfer of specified volume.
Event link function	Event link request is generated after one data transfer (for block, after one block transfer).
Read skip	Transfer data read skip can be specified.
Write-back skip	When "fixed" is selected for transfer source address and/or transfer destination address, write-back skip execution is provided.
Lower power consumption function	Module stop state can be specified.

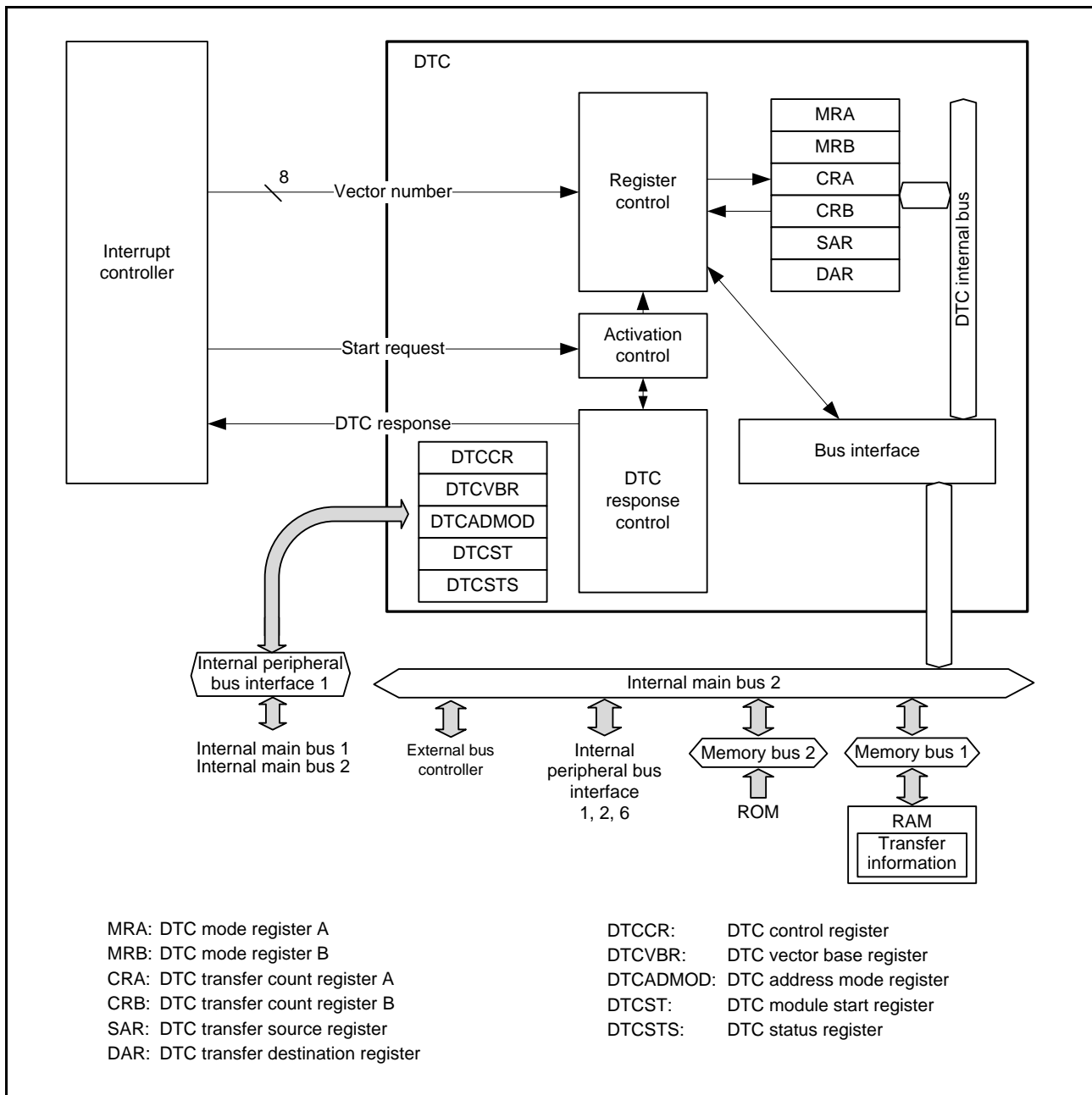


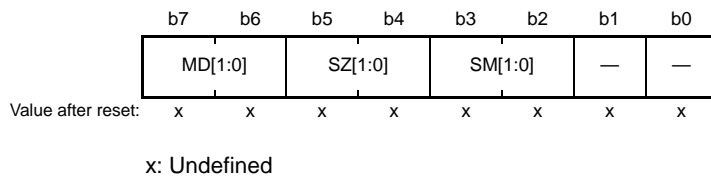
Figure 17.1 Block Diagram of DTC

17.2 Register Descriptions

Registers MRA, MRB, SAR, DAR, CRA, and CRB are DTC internal registers, which cannot be directly accessed from the CPU. Values to be set in the DTC internal registers are placed in the RAM area as transfer information data. When an activation request is generated, the DTC reads the transfer information data from the RAM area and set them in the internal registers. After the data transfer ends, the internal register contents are written back to the RAM area as transfer information data.

17.2.1 DTC Mode Register A (MRA)

Address(es): (inaccessible directly from the CPU)



Bit	Symbol	Bit Name	Description	R/W
b1, b0	—	Reserved	These bits are read as undefined. The write value should be 0.	—
b3, b2	SM[1:0]	Transfer Source Address Addressing Mode	b3 b2 0 0: Address in the SAR register is fixed (Write-back to SAR is skipped) 0 1: Address in the SAR register is fixed (Write-back to SAR is skipped) 1 0: SAR value is incremented after data transfer (+1 when SZ[1:0] bits = 00b, +2 when SZ[1:0] bits = 01b, +4 when SZ[1:0] bits = 10b) 1 1: SAR value is decremented after data transfer (-1 when SZ[1:0] bits = 00b, -2 when SZ[1:0] bits = 01b, -4 when SZ[1:0] bits = 10b)	—
b5, b4	SZ[1:0]	DTC Data Transfer Size	b5 b4 0 0: Byte transfer 0 1: Word transfer 1 0: Longword transfer 1 1: Setting prohibited	—
b7, b6	MD[1:0]	DTC Transfer Mode Select	b7 b6 0 0: Normal transfer mode 0 1: Repeat transfer mode 1 0: Block transfer mode 1 1: Setting prohibited	—

MRA is used to select the operating mode of the DTC.

MRA cannot be accessed directly from the CPU.

SM[1:0] Bits (Transfer Source Address Addressing Mode)

These bits specify the SAR operation after data transfer.

SZ[1:0] Bits (DTC Data Transfer Size)

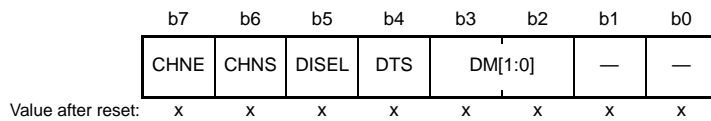
These bits specify the transfer data size.

MD[1:0] Bits (DTC Transfer Mode Select)

These bits specify the transfer mode of the DTC.

17.2.2 DTC Mode Register B (MRB)

Address(es): (inaccessible directly from the CPU)



x: Undefined

Bit	Symbol	Bit Name	Description	R/W
b1, b0	—	Reserved	These bits are read as undefined. The write value should be 0.	—
b3, b2	DM[1:0]	Transfer Destination Address Addressing Mode	b3 b2 0 0: Address in the DAR register is fixed (Write-back to DAR is skipped) 0 1: Address in the DAR register is fixed (Write-back to DAR is skipped) 1 0: DAR value is incremented after data transfer (+1 when SZ[1:0] bits in MRA = 00b, +2 when SZ[1:0] bits = 01b, +4 when SZ[1:0] bits = 10b) 1 1: DAR value is decremented after data transfer (-1 when SZ[1:0] bits in MRA = 00b, -2 when SZ[1:0] bits = 01b, -4 when SZ[1:0] bits = 10b)	—
b4	DTS	DTC Transfer Mode Select	0: Transfer destination side is repeat area or block area 1: Transfer source side is repeat area or block area	—
b5	DISEL	DTC Interrupt Select	0: An interrupt request to the CPU is generated when specified data transfer is completed 1: An interrupt request to the CPU is generated each time DTC data transfer is performed	—
b6	CHNS	DTC Chain Transfer Select	0: Chain transfer is performed continuously 1: Chain transfer is performed only when the transfer counter is changed from 1 to 0 or 1 to CRAH	—
b7	CHNE	DTC Chain Transfer Enable	0: Chain transfer is disabled 1: Chain transfer is enabled	—

MRB is used to select the operating mode of the DTC.

MRB cannot be accessed directly from the CPU.

DM[1:0] Bits (Transfer Destination Address Addressing Mode)

These bits specify the DAR operation after data transfer.

DTS Bit (DTC Transfer Mode Select)

The DTS bit specifies the side (transfer source or destination) to be a repeat area or block area in repeat transfer mode or block transfer mode.

DISEL Bit (DTC Interrupt Select)

The DISEL bit specifies when an interrupt request to the CPU is generated: each time DTC data transfer is performed or when specified data transfer is completed.

CHNS Bit (DTC Chain Transfer Select)

The CHNS bit selects the chain transfer condition.

When the CHNE bit is 0, setting of the CHNS bit is ignored. For details on the conditions to select the chain transfer, see Table 17.3, Chain Transfer Conditions.

When the next transfer is chain transfer, completion of the specified number of transfers is not determined, the startup source flag is not cleared, and an interrupt request to the CPU is not generated.

CHNE Bit (DTC Chain Transfer Enable)

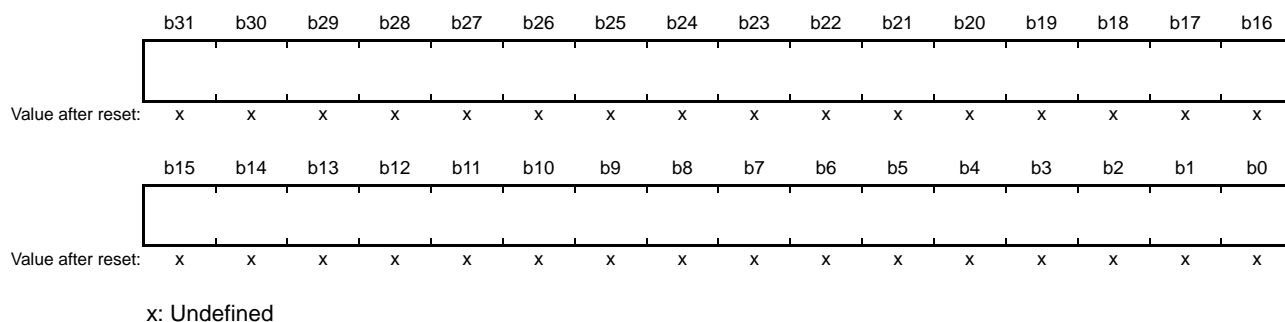
The CHNE bit enables or disables chain transfer.

The chain transfer condition is selected by the CHNS bit.

For details of chain transfer, see section 17.4.6, Chain Transfer.

17.2.3 DTC Transfer Source Register (SAR)

Address(es): (inaccessible directly from the CPU)



SAR is used to set the transfer source start address.

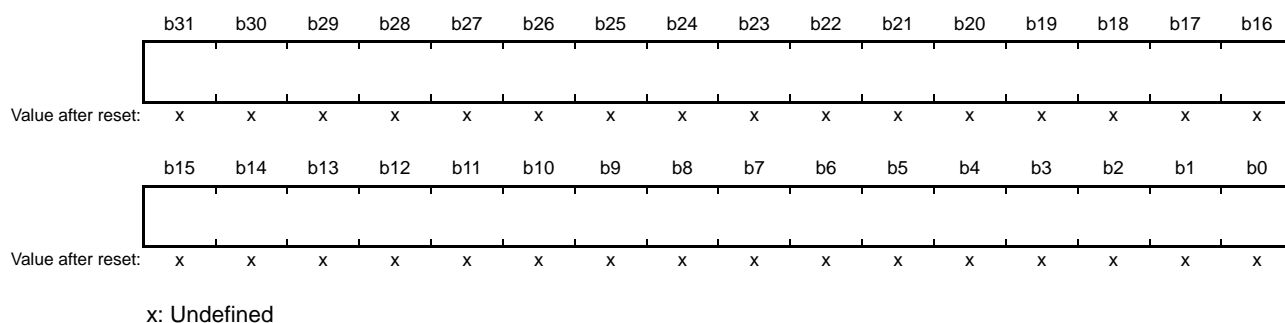
In full-address mode, 32 bits are valid.

In short-address mode, lower 24 bits are valid and upper 8 bits (b31 to b24) are ignored. The address of this register is extended by the value specified by b23.

SAR cannot be accessed directly from the CPU.

17.2.4 DTC Transfer Destination Register (DAR)

Address(es): (inaccessible directly from the CPU)



DAR is used to set the transfer destination start address.

In full-address mode, 32 bits are valid.

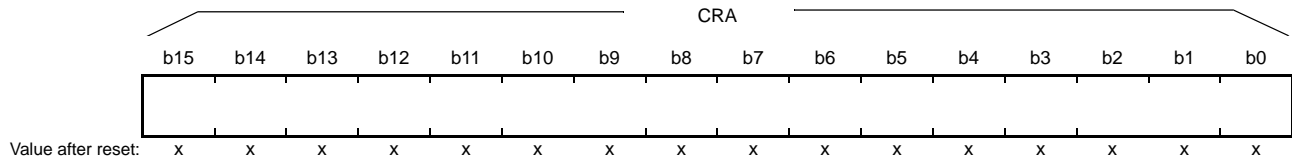
In short-address mode, lower 24 bits are valid and upper 8 bits (b31 to b24) are ignored. The address of this register is extended by the value specified by b23.

DAR cannot be accessed directly from the CPU.

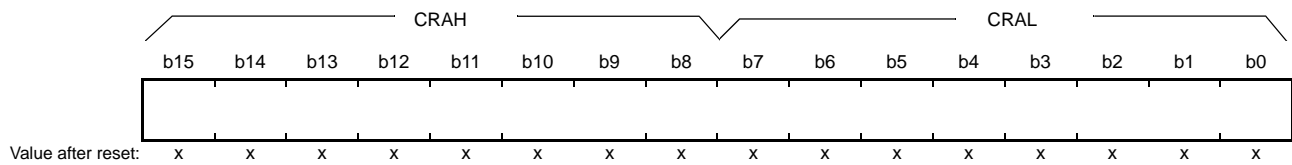
17.2.5 DTC Transfer Count Register A (CRA)

Address(es): (inaccessible directly from the CPU)

- Normal transfer mode



- Repeat transfer mode/block transfer mode



x: Undefined

Note: • The function depends on transfer mode.

Symbol	Register Name	Description	R/W
CRAL	Transfer Counter A Lower Register	Set transfer count.	—
CRAH	Transfer Counter A Upper Register		—

Note: • Set CRAH and CRAL to the same value in repeat transfer mode and block transfer mode.

CRA is used to set the transfer count of the DTC.

The function of this register depends on transfer mode.

CRA cannot be accessed directly from the CPU.

(1) Normal transfer mode (MD[1:0] bits in MRA = 00b)

CRA functions as a 16-bit transfer counter in normal transfer mode.

The transfer count is 1, 65535, and 65536 when the set value is 0001h, FFFFh, and 0000h, respectively.

The CRA value is decremented (-1) at each data transfer.

(2) Repeat transfer mode (MD[1:0] bits in MRA = 01b)

The CRAH register retains transfer count and the CRAL register functions as an 8-bit transfer counter.

The transfer count is 1, 255, and 256 when the set value is 01h, FFh, and 00h, respectively.

The CRAL value is decremented (-1) at each data transfer. When it reaches 00h, the CRAH value is transferred to CRAL.

(3) Block transfer mode (MD[1:0] bits in MRA = 10b)

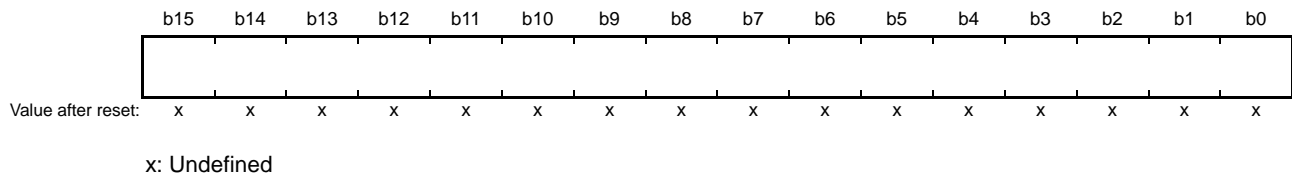
The CRAH register retains block size and the CRAL register functions as an 8-bit block size counter.

The transfer count is 1, 255, and 256 when the set value is 01h, FFh, and 00h, respectively.

The CRAL value is decremented (-1) at each data transfer. When it reaches 00h, the CRAH value is transferred to CRAL.

17.2.6 DTC Transfer Count Register B (CRB)

Address(es): (inaccessible directly from the CPU)



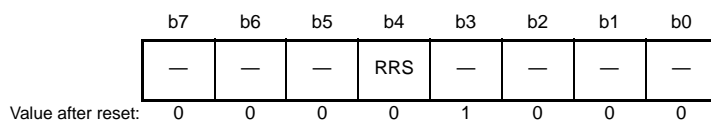
CRB is used to set the block transfer count for block transfer mode.

The transfer count is 1, 65535, and 65536 when the set value is 0001h, FFFFh, and 0000h, respectively. The CRB value is decremented (-1) when the final data of a single block size is transferred.

When normal transfer mode or repeat transfer mode is selected, this register is not used and the set value is ignored. CRB cannot be accessed directly from the CPU.

17.2.7 DTC Control Register (DTCCR)

Address(es): 0008 2400h



Bit	Symbol	Bit Name	Description	R/W
b2 to b0	—	Reserved	These bits are read as 0. The write value should be 0.	R/W
b3	—	Reserved	This bit is read as 1. The write value should be 1.	R/W
b4	RRS	DTC Transfer Data Read Skip Enable	0: Transfer data read is not skipped 1: Transfer data read is skipped when vector numbers match.	R/W
b7 to b5	—	Reserved	These bits are read as 0. The write value should be 0.	R/W

DTCCR is used to control the DTC.

RRS Bit (DTC Transfer Data Read Skip Enable)

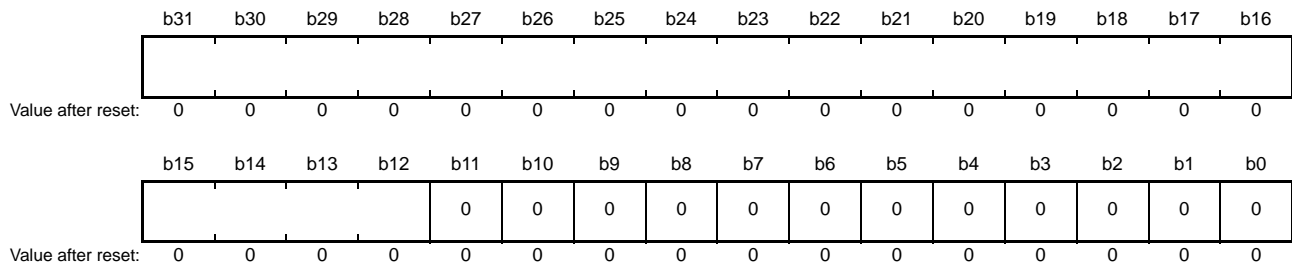
The DTC vector number is always compared with the vector number in the previous startup process.

When these vector numbers match and the RRS bit is set to 1, DTC data transfer is performed without reading the transferred data. However, when the previous transfer was chain transfer, the transferred data is always read regardless of the value of RRS bit.

Furthermore, when the transfer counter (CRA register) became 0 during the previous normal transfer and when the transfer counter (CRB register) became 0 during the previous block transfer, the transferred data is always read regardless of the value of RRS bit.

17.2.8 DTC Vector Base Register (DTCVBR)

Address(es): 0008 2404h



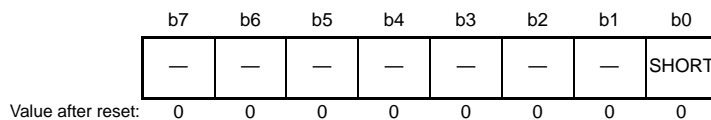
Bit	Bit Name	Description	R/W
b11 to b0	DTC Vector Base Address (Lower 12 bits)	These bits are read as 0. The write value should be 0.	R/W
b31 to b12	DTC Vector Base Address (Upper 20 bits)	The upper 4 bits (b31 to b28) are ignored, and the address of this register is extended by the value specified by b27.	R/W

DTCVBR is used to set the base address for calculating the DTC vector table address.

It can be set in the range of 0000 0000h to 07FF F000h and F800 0000h to FFFF F000h in 4-Kbyte units.

17.2.9 DTC Address Mode Register (DTCADM0D)

Address(es): 0008 2408h



Bit	Symbol	Bit Name	Description	R/W
b0	SHORT	Short-Address Mode	0: Full-address mode 1: Short-address mode	R/W
b7 to b1	—	Reserved	These bits are read as 0. The write value should be 0.	R/W

DTCADM0D is used to specify the area accessible by the DTC.

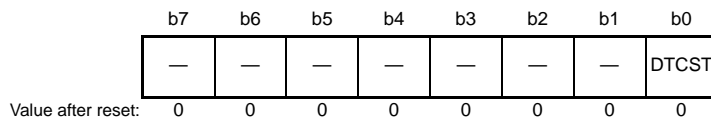
SHORT Bit (Short-Address Mode)

Full-address mode allows the DTC to access to a 4-Gbyte space (0000 0000h to FFFF FFFFh).

Short-address mode allows the DTC to access to a 16-Mbyte space (0000 0000h to 007F FFFFh and FF80 0000h to FFFF FFFFh).

17.2.10 DTC Module Start Register (DTCST)

Address(es): 0008 240Ch



Bit	Symbol	Bit Name	Description	R/W
b0	DTCST	DTC Module Start	0: DTC module stop 1: DTC module start	R/W
b7 to b1	—	Reserved	These bits are read as 0. The write value should be 0.	R/W

DTCST Bit (DTC Module Start)

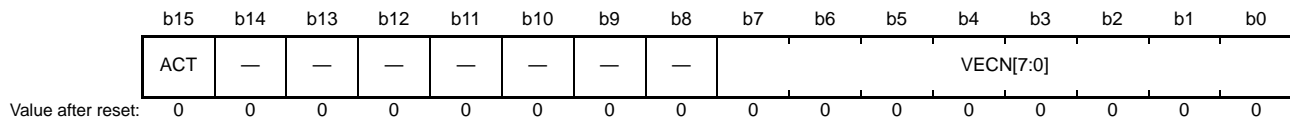
Set the DTCST bit to 1 to enable the DTC to accept transfer requests. When this bit is cleared to 0, transfer requests are no longer accepted.

If this bit is cleared to 0 during data transfer, the accepted transfer request is active until the processing is completed. Before making transition to the module stop state, all-module clock-stop mode, software standby mode, or deep software standby mode, the DTCST bit must be set to 0.

For details on transitions to the module stop state, all-module clock-stop mode, software standby mode, and deep software standby mode, refer to section 17.9, Low Power Consumption Function, and section 11, Low Power Consumption.

17.2.11 DTC Status Register (DTCSTS)

Address(es): 0008 240Eh



Bit	Symbol	Bit Name	Description	R/W
b7 to b0	VECN[7:0]	DTC-Activating Vector Number Monitoring	These bits indicate the vector number for the activating source when DTC transfer is in progress. The value is only valid if DTC transfer is in progress (the value of the ACT flag is 1).	R
b14 to b8	—	Reserved	These bits are read as 0. Writing to these bits has no effect.	R
b15	ACT	DTC Active Flag	0: DTC transfer operation is not in progress. 1: DTC transfer operation is in progress.	R

VECN[7:0] Bits (DTC-Activating Vector Number Monitoring)

While transfer by the DTC is in progress, these bits indicate the vector number corresponding to the activating source for the transfer.

When the DTCSTS register is read, the value read from the VECN[7:0] bits is valid if the value of the ACT flag was 1 (indicating DTC transfer in progress) and invalid if the value of the ACT flag was 0 (indicating no current DTC transfer). For the correspondence between the DTC startup sources and the vector addresses, see Table 14.3, Interrupt Vector Table in section 14, Interrupt Controller (ICUb).

ACT Bit (DTC Active Flag)

This bit indicates the state of DTC transfer operation.

[Setting condition]

- When the DTC is activated by a transfer request

[Clearing condition]

- When transfer by the DTC is completed in response to a transfer request.

17.3 Sources of Activation

The DTC is activated by an interrupt request. Setting the DTCERn.DTCE bit (where n is the interrupt vector number of the given interrupt) of the ICU to 1 selects the corresponding interrupt as an activation source for the DTC.

For the correspondence between the DTC startup sources and the vector addresses, see Table 14.3, Interrupt Vector Table. For startup by software, see section 14.2.5, Software Interrupt Activation Register (SWINTR).

Once the DTC has accepted a startup request, it does not accept another startup request until transfer for that single request is completed, regardless of the priority of the requests. When multiple startup requests are generated during DMAC/DTC transfer, a request with the highest priority on completion of the transfer is accepted. When multiple startup requests are generated while the DTC module start (DTCST) bit in DTCST is 0, a request with the highest priority at the moment when the bit is subsequently set to 1 is accepted.

The DTC performs the following operations at each data transfer (or the last of the consecutive transfers in the case of a chained transfer).

- On completion of a specified round of data transfer, the DTCERn.DTCE bit is cleared to 0 and an interrupt is requested to the CPU.
- If the MRB.DISEL bit is 1, an interrupt is requested to the CPU on completion of data transfer.
- For the other transfers, the interrupt status flag of the startup source is cleared to 0 at the start of data transfer.

17.3.1 Allocating Transfer Data and DTC Vector Table

The DTC reads the start address of the transfer data corresponding to each startup source from the vector table and reads the transfer data starting at that address.

The vector table should be located so that the lower 12 bits of the base address (start address) are 0. Use the DTC vector base register (DTCVBR) to set the base address of the DTC vector table.

Transfer data is allocated in the RAM area. In the RAM area, the start address of the transfer data (n) with vector number n should be 4n added to the base address in the vector table.

Transfer data can be allocated in short-address mode (3 longwords) or full-address mode (4 longwords). Use the SHORT bit in DTCADMOD to select short-address mode (SHORT bit = 1) or full-address mode (SHORT bit = 0).

Figure 17.2 shows the relationship between the DTC vector table and transfer data.

Figure 17.3 shows the allocation of transfer data in the RAM area. The lower addresses vary according to the endian of the corresponding allocation area. For details, see section 17.10.2, Allocating Transfer Data.

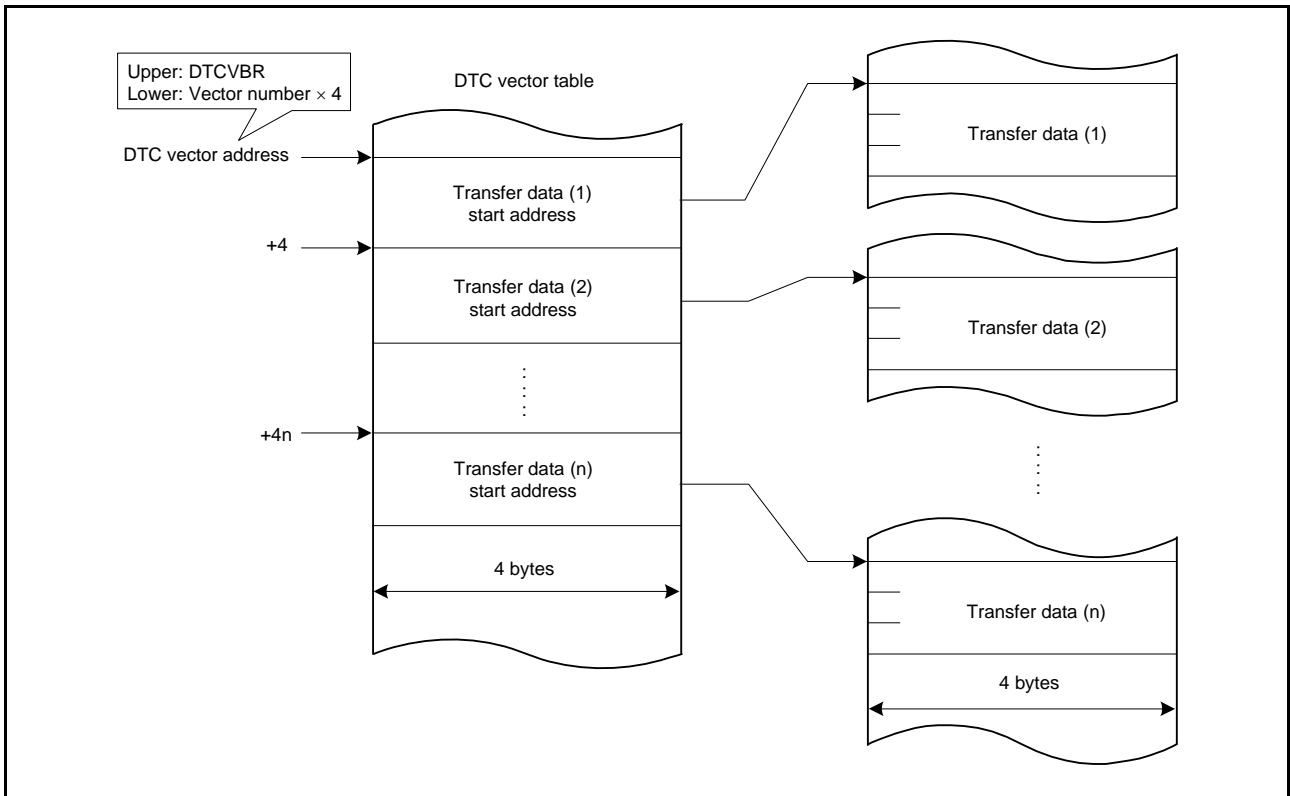


Figure 17.2 DTC Vector Table and Transfer Data

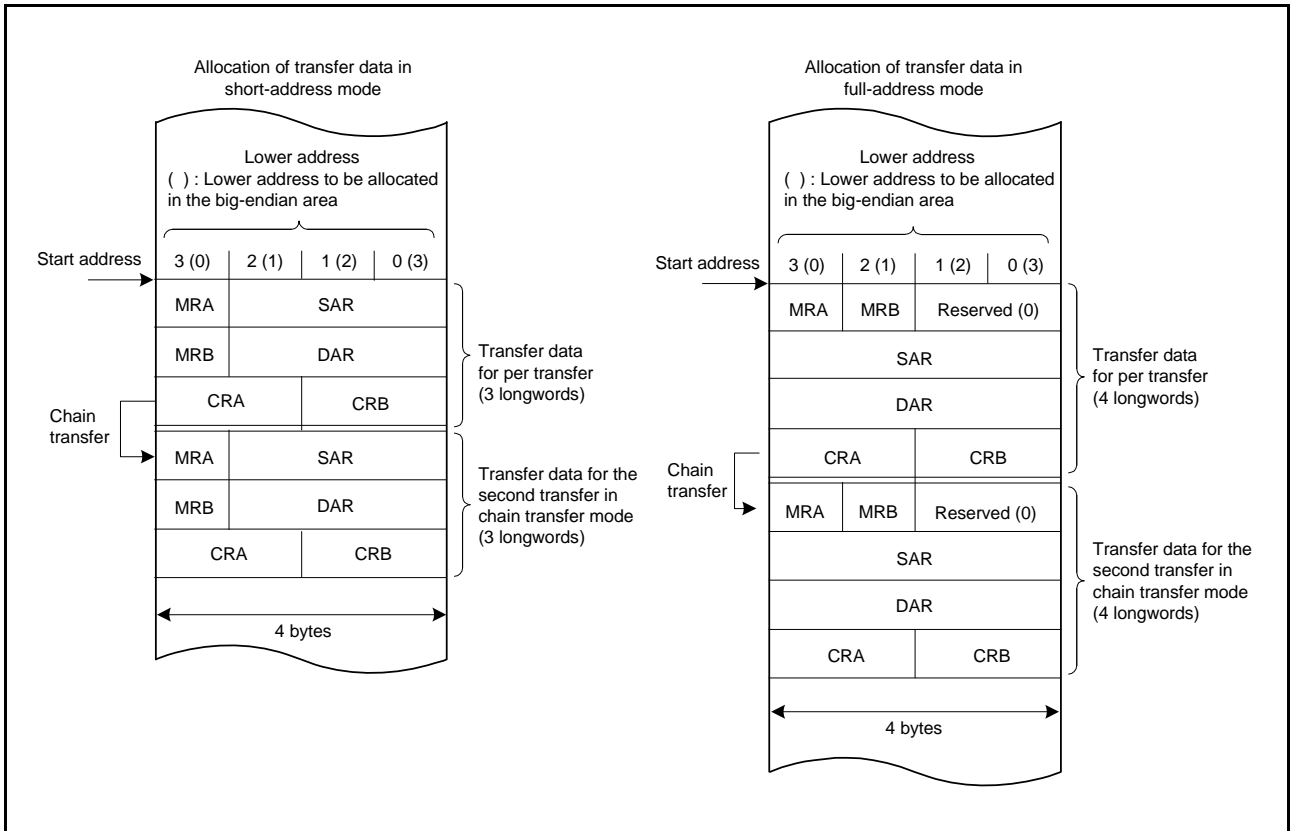


Figure 17.3 Allocation of Transfer Data in the RAM Area

17.4 Operation

The DTC transfers data in accordance with the transfer data. Storage of the transfer data in the RAM area is required before DTC operation.

When the DTC is activated, it reads the DTC vector corresponding to the vector number. Then the DTC reads transfer data from the transfer data store address pointed by the DTC vector, transfers data, and then writes back the transfer data after the data transfer. Storing transfer data in the RAM area allows data transfer of arbitrary number of channels.

There are three transfer modes: normal transfer mode, repeat transfer mode, and block transfer mode.

The DTC specifies a transfer source address in SAR and a transfer destination address in DAR. The values of these registers are incremented, decremented, or address-fixed independently after data transfer.

Table 17.2 lists transfer modes of the DTC.

Table 17.2 Transfer Modes of the DTC

Transfer Mode	Data Size Transferred on a Single Transfer Request	Increment/Decrement of Memory Address	Settable Transfer Count
Normal transfer mode	1 byte/word/longword	Incremented/decremented by 1, 2, or 4 or address fixed	1 to 65536
Repeat transfer mode* ¹	1 byte/word/longword	Incremented/decremented by 1, 2, or 4 or address fixed	1 to 256* ³
Block transfer mode* ²	Block size specified in CRAH (1 to 256 bytes/words/longwords)	Incremented/decremented by 1, 2, or 4 or address fixed	1 to 65536

Note 1. Set transfer source or transfer destination in the repeat area.

Note 2. Set transfer source or transfer destination in the block area.

Note 3. After data transfer of the specified count, the initial state is restored and the operation is continued (repeated).

Setting the CHNE bit in MRB to 1 allows multiple transfers (chain transfer) on a single startup source. Setting the CHNS bit in MRB also enables chain transfer when specified data transfer is completed.

Figure 17.4 shows the operation flowchart of the DTC. Table 17.3 lists chain transfer conditions.

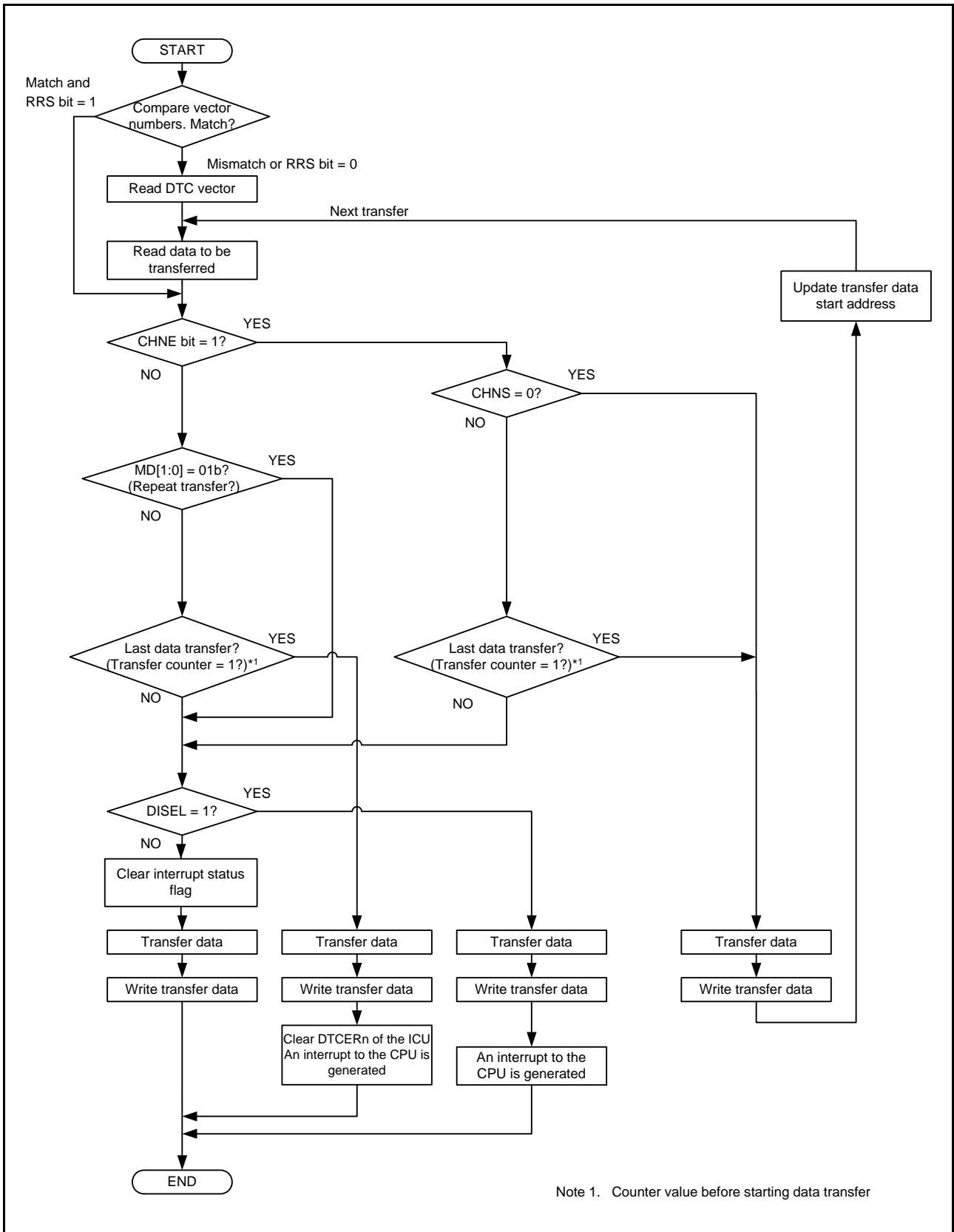


Figure 17.4 Operation Flowchart of the DTC

Table 17.3 Chain Transfer Conditions

First Transfer				Second Transfer*3				DTC Transfer
CHNE Bit	CHNS Bit	DISEL Bit	Transfer Counter*1,*2	CHNE Bit	CHNS Bit	DISEL Bit	Transfer Counter*1,*2	
0	—	0	Other than (1 → 0)	—	—	—	—	Ends after the first transfer
0	—	0	(1 → 0)	—	—	—	—	Ends after the first transfer with an interrupt request to the CPU
0	—	1	—	—	—	—	—	
1	0	—	—	0	—	0	Other than (1 → 0)	Ends after the second transfer
				0	—	0	(1 → 0)	Ends after the second transfer with an interrupt request to the CPU
				0	—	1	—	
1	1	0	Other than (1 → *)	—	—	—	—	Ends after the first transfer
1	1	—	(1 → *)	0	—	0	Other than (1 → 0)	Ends after the second transfer
				0	—	0	(1 → 0)	Ends after the second transfer with an interrupt request to the CPU
				0	—	1	—	
1	1	1	Other than (1 → *)	—	—	—	—	Ends after the first transfer with an interrupt request to the CPU

Note 1. The transfer counters used depend on transfer modes as follows:

Normal transfer mode: CRA register
Repeat transfer mode: CRAL register
Block transfer mode: CRB register

Note 2. On completion of data transfer, the counters operate as follows:

1 → 0: in normal and block transfer modes
1 → CRAH: in repeat transfer mode
(1 → *) in the table indicates both of the two operations above.

Note 3. Chain transfer can be selected for the second or subsequent transfers. The condition combination of “second transfer and CHNE bit = 1” is omitted.

17.4.1 Transfer Data Read Skip Function

Vector address read and transfer data read can be skipped by the setting of the RRS bit in DTCCR.

When a DTC startup request is generated, the current DTC vector number is always compared with the DTC vector number in the previous startup process. When these vector numbers match and the RRS bit is set to 1, DTC data transfer is performed without reading the vector address and transfer data. However, when the previous transfer was chain transfer, the vector address and transfer data are always read. Furthermore, when the transfer counter (CRA register) became 0 during the previous normal transfer and when the transfer counter (CRB register) became 0 during the previous block transfer, transfer data is always read regardless of the value of RRS bit. Figure 17.13 shows an example of transfer data read skip.

To update the vector table and transfer data, set the RRS bit to 0, update the vector table and transfer data, and then set the RRS bit to 1. When the RRS bit is set to 0, the retained vector number is discarded and the vector table and transfer data that are updated in the following startup process are read.

17.4.2 Transfer Data Write-Back Skip Function

When the SM[1:0] bits in MRA or the DM[1:0] bits in MRB are set to “address fixed”, a part of transfer data is not written back. This function is performed independently of the setting of short-address mode or full-address mode. Table 17.4 lists transfer data write-back skip conditions and applicable registers.

The CRA and CRB registers are always written back independently of the setting of short-address mode or full-address mode. Furthermore, in full-address mode, write-back of the MRA and MRB registers are always skipped.

Table 17.4 Transfer Data Write-Back Skip Conditions and Applicable Registers

SM[1:0] Bits in MRA		DM[1:0] Bits in MRB		SAR Register	DAR Register
b3	b2	b3	b2		
0	0	0	0	Skip	Skip
0	0	0	1		
0	1	0	0		
0	1	0	1		
0	0	1	0	Skip	Write-back
0	0	1	1		
0	1	1	0		
0	1	1	1		
1	0	0	0	Write-back	Skip
1	0	0	1		
1	1	0	0		
1	1	0	1		
1	0	1	0	Write-back	Write-back
1	0	1	1		
1	1	1	0		
1	1	1	1		

17.4.3 Normal Transfer Mode

This mode allows 1-byte, 1-word, or 1-longword data transfer on a single startup source. The transfer count can be set to 1 to 65536.

Transfer source addresses and transfer destination addresses can be set to increment, decrement, or fixed independently. This mode enables an interrupt request to the CPU to be generated at the end of specified-count transfer.

Table 17.5 lists register functions in normal transfer mode, and Figure 17.5 shows the memory map of normal transfer mode.

Table 17.5 Register Functions in Normal Transfer Mode

Register	Description	Value Written Back by Writing Transfer Data
SAR	Transfer source address	Increment/decrement/fix ^{*1}
DAR	Transfer destination address	Increment/decrement/fix ^{*1}
CRA	Transfer counter A	CRA - 1
CRB	Transfer counter B	Not updated

Note 1. Write-back operation is skipped in address-fixed mode.

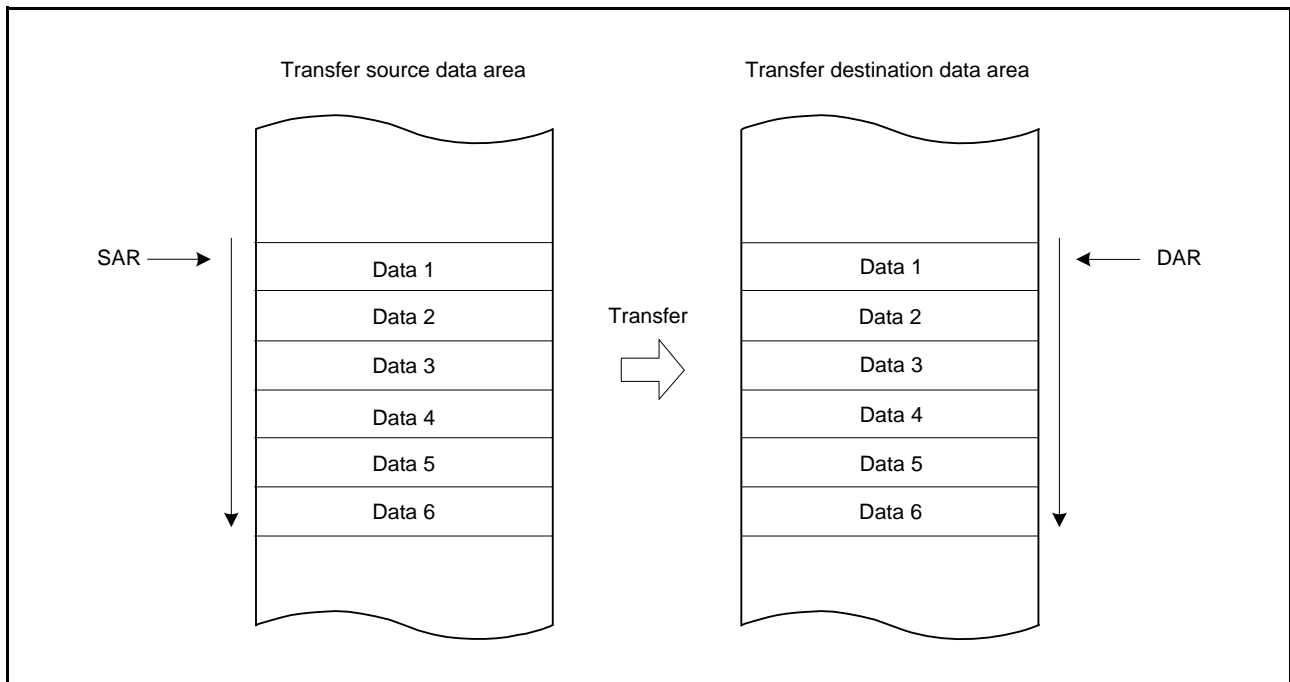


Figure 17.5 Memory Map of Normal Transfer Mode

17.4.4 Repeat Transfer Mode

This mode allows 1-byte, 1-word, or 1-longword data transfer on a single startup source.

Specify either transfer source or transfer destination for the repeat area by the DTS bit in MRB. The transfer count can be set to 1 to 256. When the specified-count transfer is completed, the initial value of the address register specified in the transfer counter and the repeat area is restored and transfer is repeated. The other address register is incremented or decremented continuously or remains unchanged.

When the transfer counter CRAL is decreased to 00h in repeat transfer mode, the CRAL value is updated to the value set in CRAH. Thus the transfer counter does not become 00h, which inhibits generation of interrupt request to the CPU when the DISEL bit in MRB is set to 0 (an interrupt request to the CPU is generated when specified data transfer is completed).

Table 17.6 lists the register functions in repeat transfer mode, and Figure 17.6 shows the memory map of repeat transfer mode.

Table 17.6 Register Functions in Repeat Transfer Mode

Register	Description	Value Written Back by Writing Transfer Data	
		When CRAL is not 1	When CRAL is 1
SAR	Transfer source address	Increment/decrement/fixe ^{*1}	(When the DTS bit in MRB is 0) Increment/decrement/fixe ^{*1} (When the DTS bit in MRB is 1) SAR register initial value
DAR	Transfer destination address	Increment/decrement/fixe ^{*1}	(When the DTS bit in MRB is 0) DAR register initial value (When the DTS bit in MRB is 1) Increment/decrement/fixe ^{*1}
CRAH	Retains transfer counter	CRAH	CRAH
CRAL	Transfer counter A	CRAL - 1	CRAH
CRB	Transfer counter B	Not updated	Not updated

Note 1. Write-back is skipped in address-fixed mode.

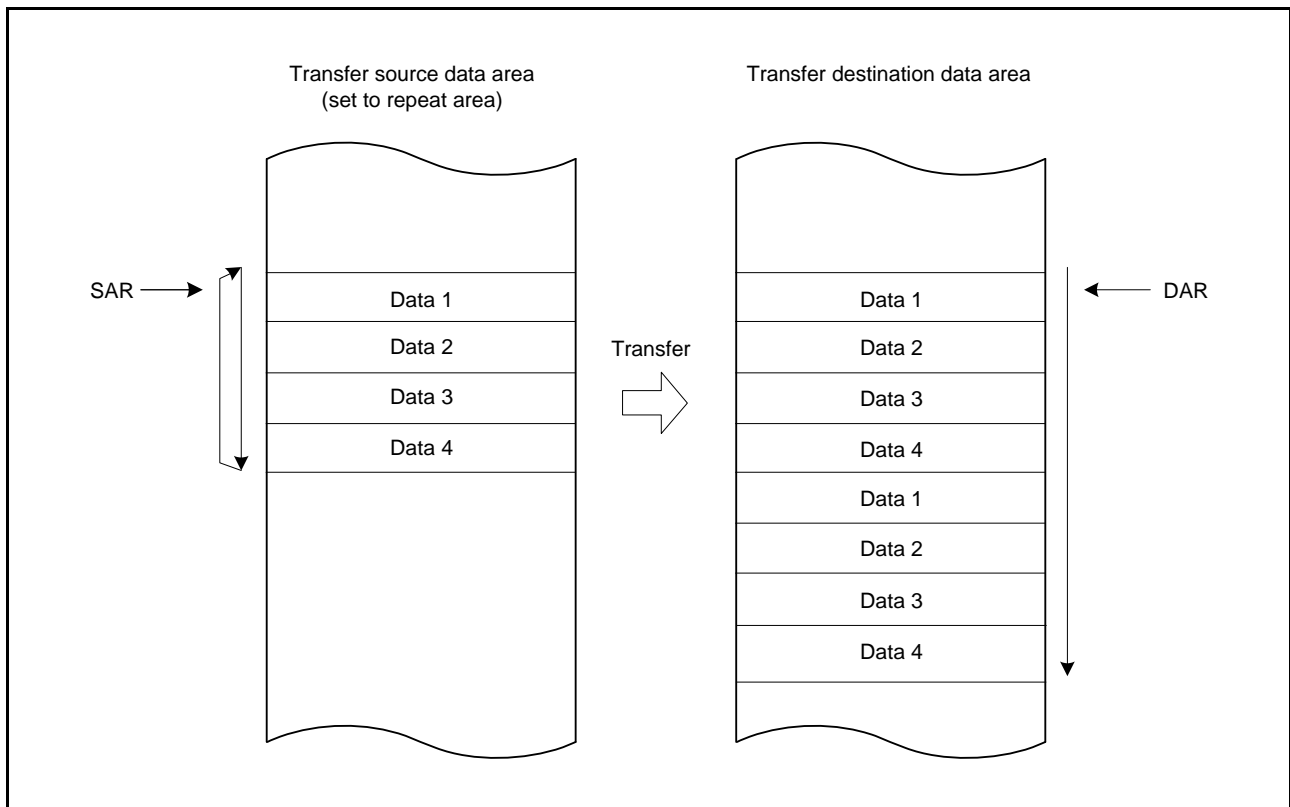


Figure 17.6 Memory Map of Repeat Transfer Mode (Transfer Source: Repeat Area)

17.4.5 Block Transfer Mode

This mode allows single-block data transfer on a single startup source.

Specify either transfer source or transfer destination for the block area by the DTS bit in MRB. The block size can be set to 1 to 256 bytes (or 1 to 256 words or 1 to 256 longwords).

When transfer of the specified one block is completed, the initial values of the block size counter CRAL and the address register (SAR when the DTS bit = 1 or DAR when the DTS bit = 0) specified in the block area are restored. The other address register is incremented or decremented continuously or remains unchanged.

The transfer count (block count) can be set to 1 to 65536. This mode enables an interrupt request to the CPU to be generated at the end of specified-count block transfer.

Table 17.7 lists register functions in block transfer mode, and Figure 17.7 shows the memory map of block transfer mode.

Table 17.7 Register Functions in Block Transfer Mode

Register	Description	Value Written Back by Writing Transfer Data
SAR	Transfer source address	(When DTS bit in MRB is 0) Increment/decrement/fixd*1 (When DTS bit in MRB is 1) SAR register initial value
DAR	Transfer destination address	(When DTS bit in MRB is 0) DAR register initial value (When DTS bit in MRB is 1) Increment/decrement/fixd*1
CRAH	Retains block size	CRAH
CRAL	Block size counter	CRAH
CRB	Block transfer counter	CRB - 1

Note 1. Write-back is skipped in address-fixed mode.

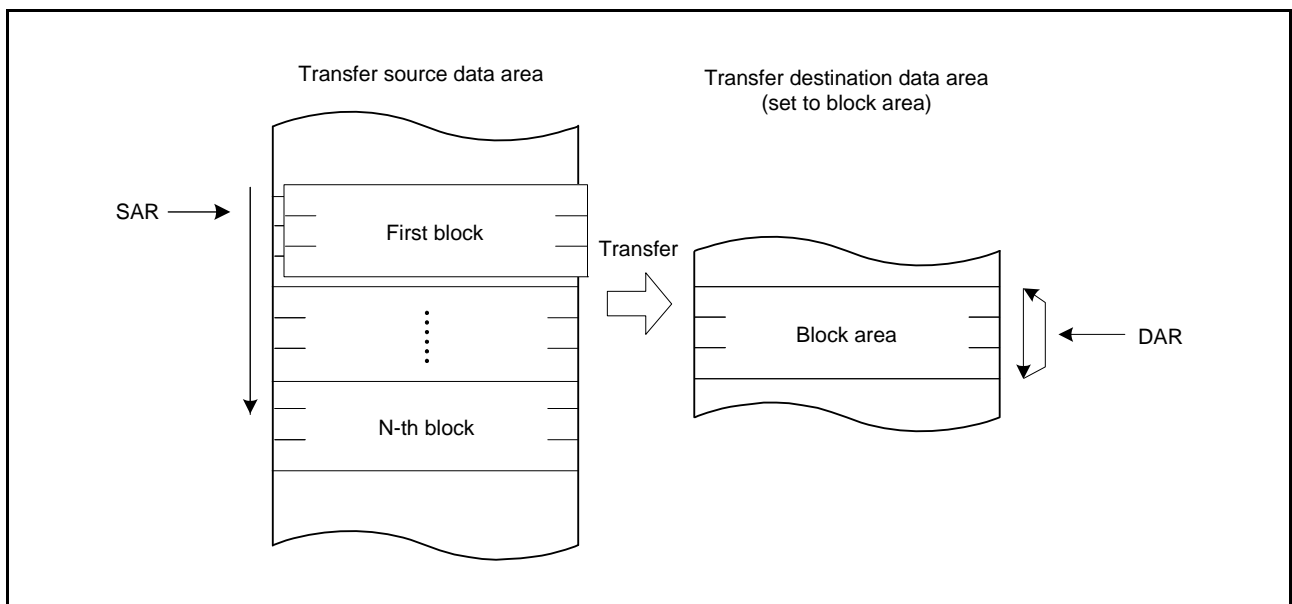


Figure 17.7 Memory Map of Block Transfer Mode (Transfer Destination: Block Area)

17.4.6 Chain Transfer

Setting the CHNE bit in MRB to 1 allows chain transfer to be performed continuously on a single startup source.

If the CHNE and CHNS bits in MRB are set to 1 and 0, respectively, an interrupt request to the CPU is not generated by completion of specified number of rounds of transfer or by setting the DISEL bit in MRB to 1 (an interrupt request to the CPU is generated each time DTC data transfer is performed), and data transfer has no effect on the interrupt status flag that has started up the transfer.

The SAR, DAR, CRA, CRB, MRA, and MRB registers can be set independently of each other to define data transfer.

Figure 17.8 shows chain transfer operation.

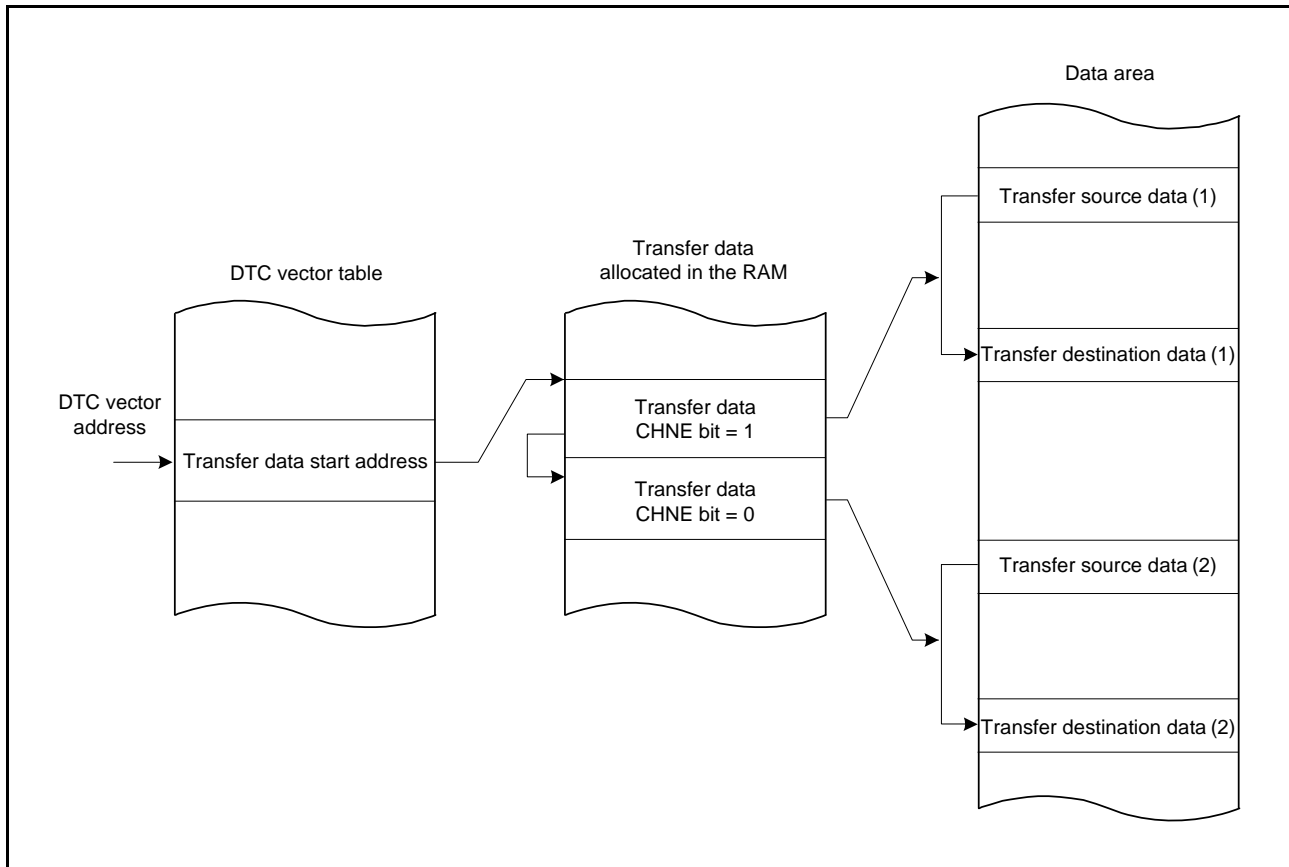


Figure 17.8 Chain Transfer Operation

Writing 1 to the CHNE and CHNS bits in MRB enables chain transfer to be performed only after completion of specified data transfer. In repeat transfer mode, chain transfer is performed after completion of specified data transfer.

For details on chain transfer conditions, see Table 17.3, Chain Transfer Conditions.

17.4.7 Operation Timing

Figure 17.9 to Figure 17.13 show examples of DTC operation timing.

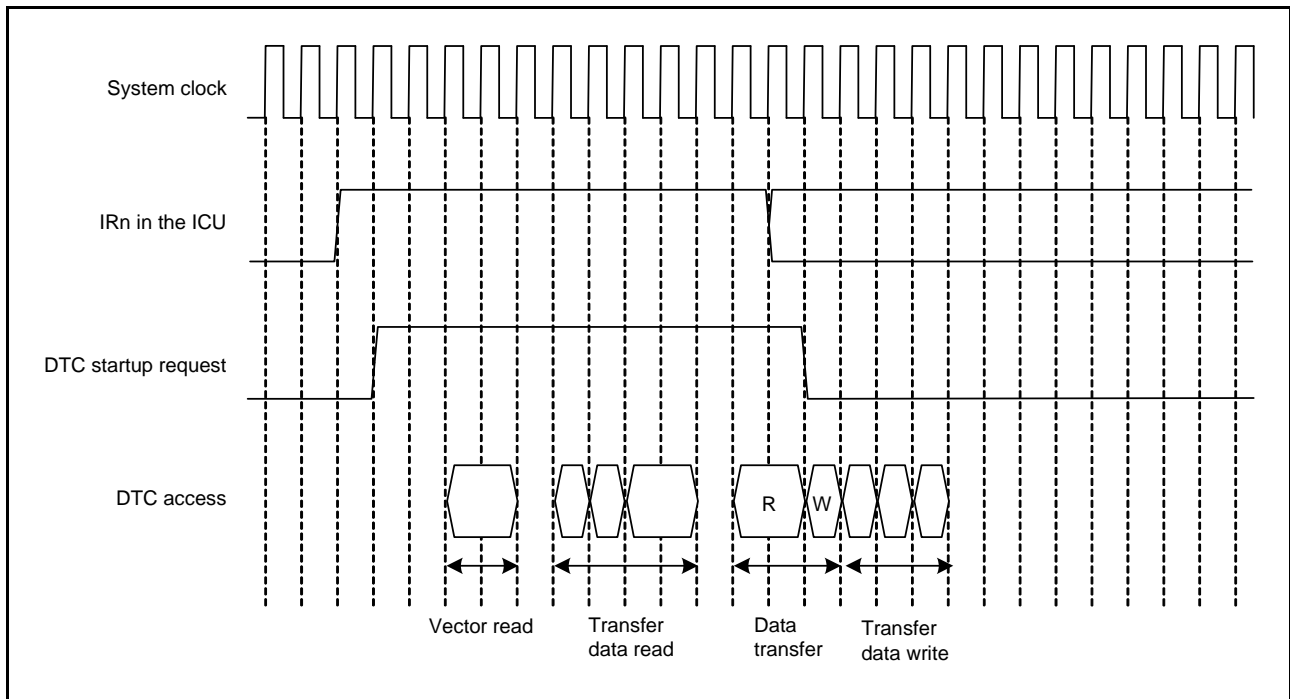


Figure 17.9 Example (1) of DTC Operation Timing (Short-Address Mode, Normal Transfer Mode, Repeat Transfer Mode)

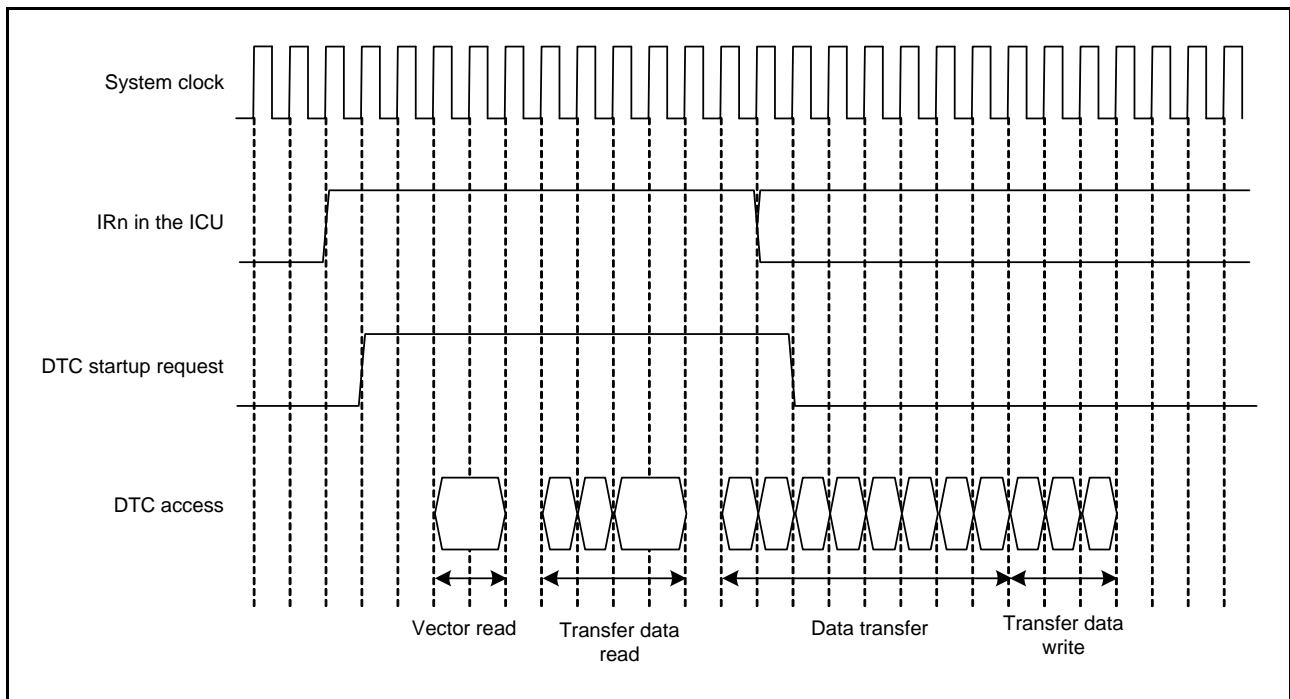


Figure 17.10 Example (2) of DTC Operation Timing (Short-Address Mode, Block Transfer Mode, Block Size = 4)

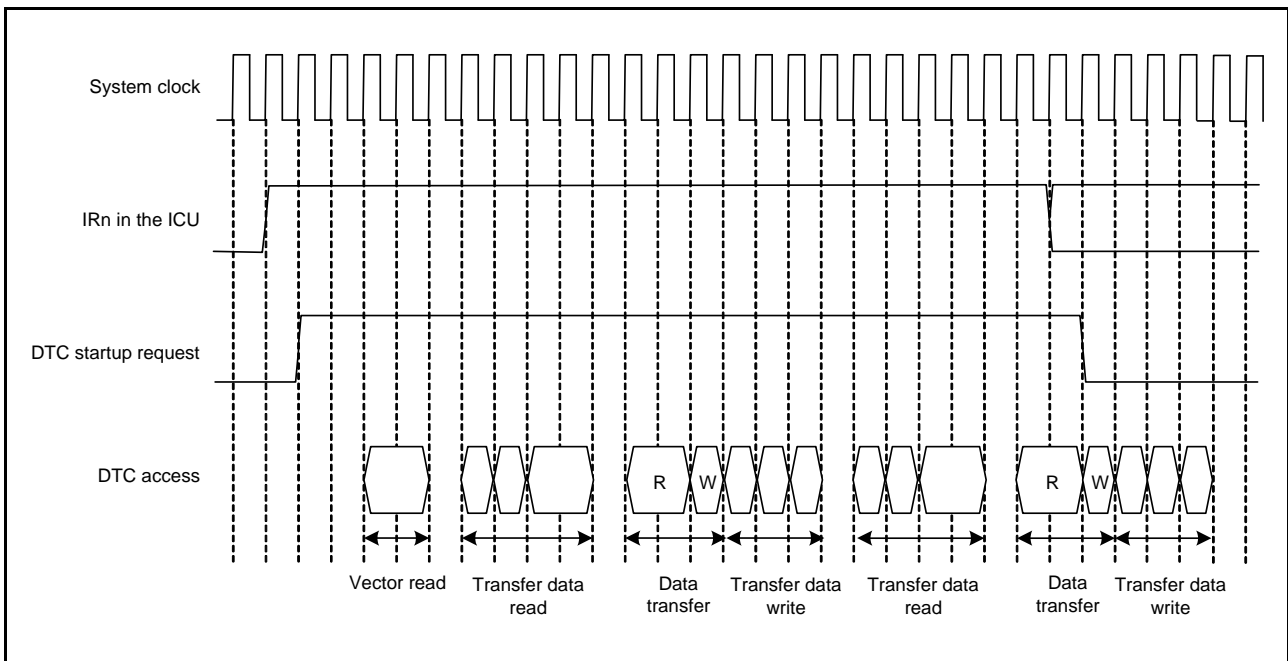


Figure 17.11 Example (3) of DTC Operation Timing (Short-Address Mode, Chain Transfer)

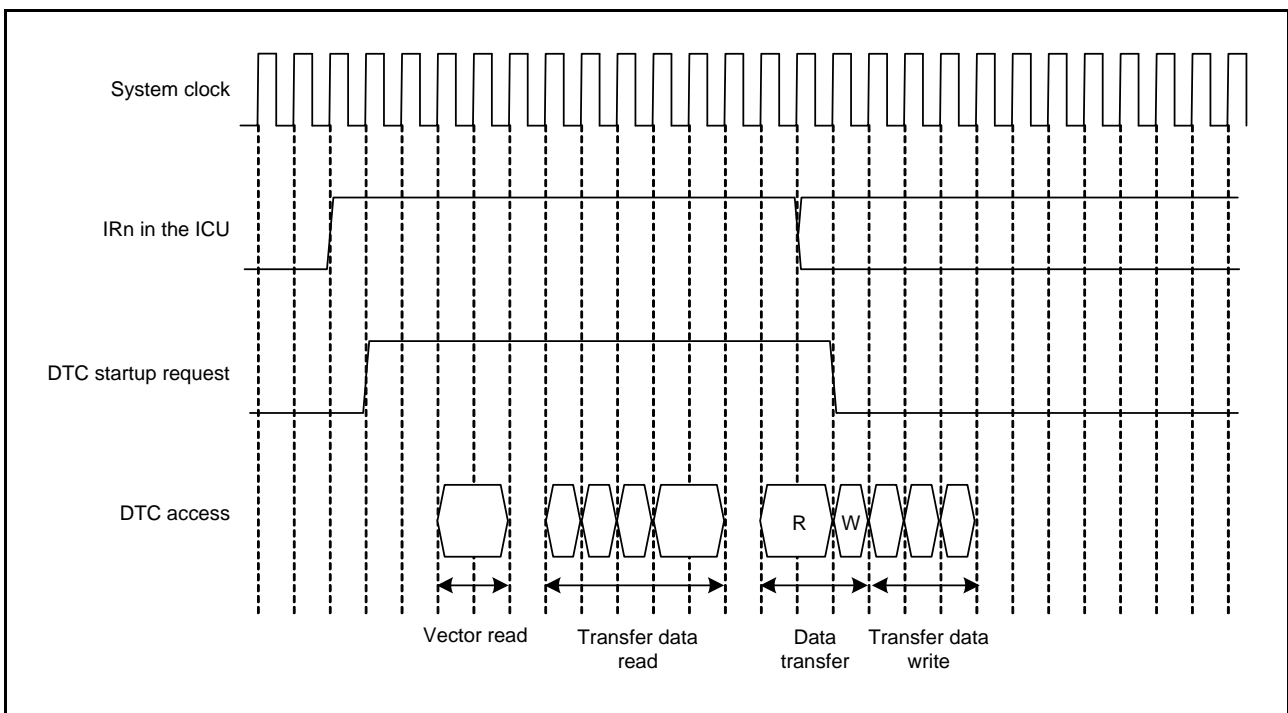


Figure 17.12 Example (4) of DTC Operation Timing (Full-Address Mode, Normal Transfer Mode, Repeat Transfer Mode)

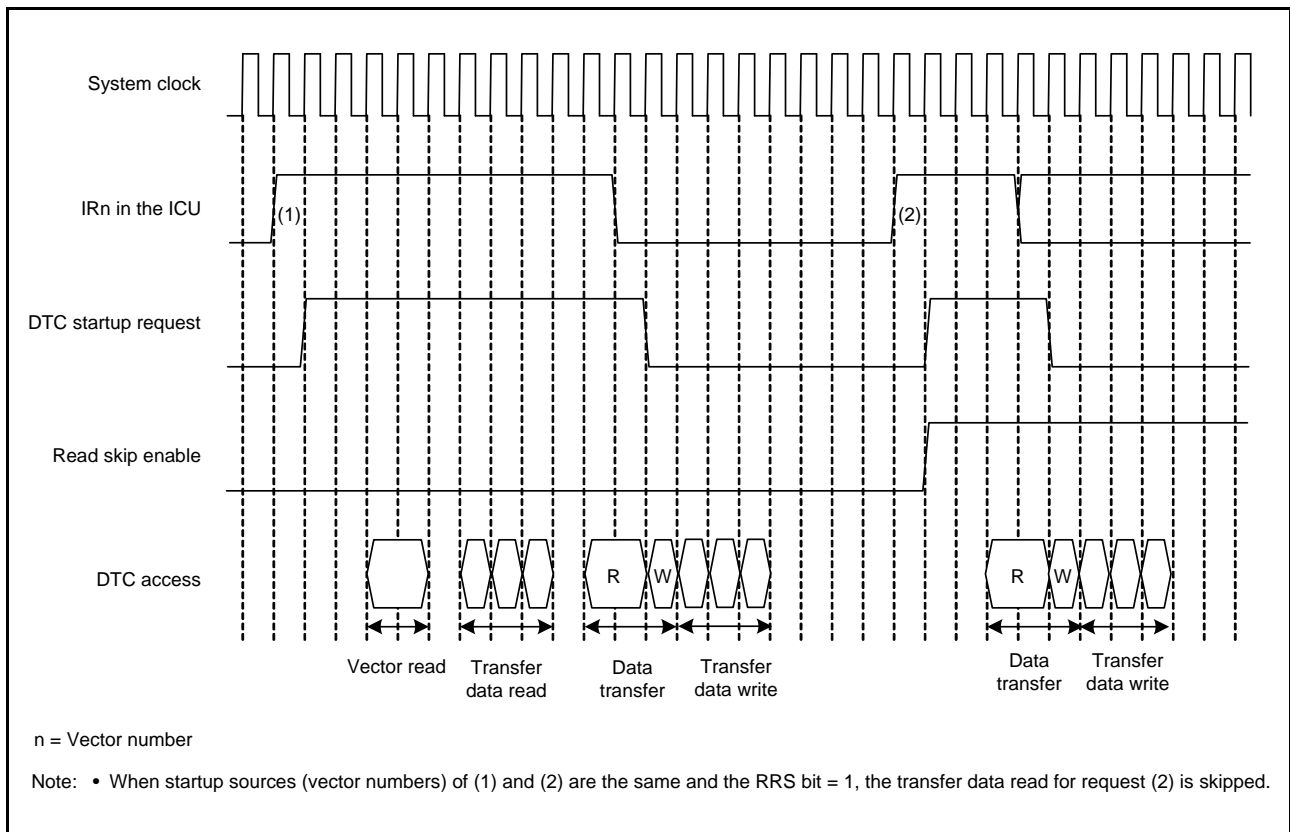


Figure 17.13 Example of Operation when Transfer Information Skip is Executed (Vector, Transfer Information, and Transfer Destination Data on the RAM, and Transfer Source Data on the Peripheral Module)

17.4.8 Execution Cycles of the DTC

Table 17.8 lists the execution cycles of single data transfer of the DTC.

For the order of the execution states, refer to section 17.4.7, Operation Timing.

Table 17.8 Execution Cycles of the DTC

Transfer Mode	Vector Read		Transfer Data Read			Transfer Data Write			Data Transfer		Internal Operation	
									Read	Write		
Normal	C_v+1	0^*1	$4 \times C_i+1^*2$	$3 \times C_i+1^*3$	0^*1	$3 \times C_i^*4$	$2 \times C_i^*5$	C_i^*6	C_r+1	C_w	2	0^*1
Repeat									C_r+1	C_w		
Block ^{*7}									$P \times C_r$	$P \times C_w$		

Note 1. When transfer data read is skipped

Note 2. In full-address mode

Note 3. In short-address mode

Note 4. When neither SAR nor DAR is set to address-fixed mode

Note 5. When SAR or DAR is set to address-fixed mode

Note 6. When SAR and DAR are set to address-fixed mode

Note 7. When the block size is 2 or more. If the block size is 1, the cycle number for normal transfer is applied

P: Block size (initial settings of CRAH and CRAL)

C_v : Cycles for access to vector transfer data storage destination

C_i : Cycles for access to transfer data storage destination address

C_r : Cycles for access to data read destination

C_w : Cycles for access to data write destination

(The unit is system clocks (ICLK) for "+1" in the Vector Read, Transfer Data Read, and Data Transfer Read columns and "2" in the Internal Operation column.

(C_v , C_i , C_r , and C_w vary depending on the corresponding access destination. For the number of cycles for respective access destinations, see section 39, RAM, section 40, ROM (Flash Memory for Code Storage), section 5, I/O Registers, and section 15.2.6, External Bus.

17.4.9 DTC Bus Mastership Release Timing

The DTC does not release the bus mastership during transfer data read and transfer data write. While transfer data is not read or written, bus arbitration is made according to the priority determined by the bus master arbitrator.

For bus arbitration, see section 15, Buses.

17.5 DTC Setting Procedure

Before using the DTC, set the DTC vector base register (DTCVBR).

Figure 17.14 shows the procedure to set the DTC.

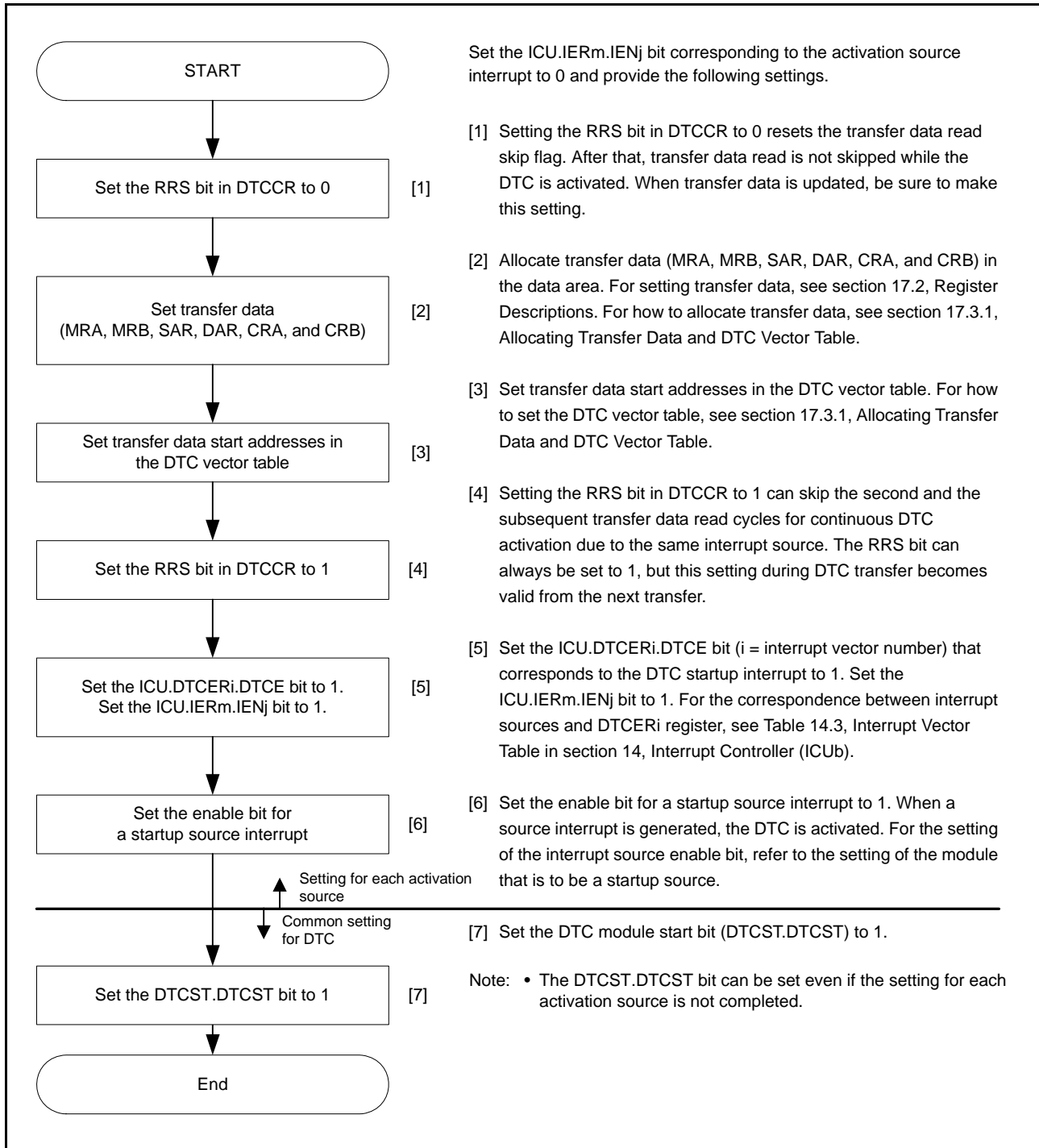


Figure 17.14 Procedure to Set the DTC

17.6 Examples of DTC Usage

17.6.1 Normal Transfer

As an example of DTC usage, its employment in the transfer of 128 bytes of data by an SCI is described below.

(1) Transfer Data Set

In the MRA register, select a fixed source address (MRA.SM[1:0] = 00b), normal transfer mode (MRA.MD[1:0] = 00b), and byte-sized transfer (MRA.SZ[1:0] = 00b). In the MRB register, specify incrementation of the destination address (MRB.DM[1:0] = 10b) and single data transfer by a single interrupt (MRB.CHNE bit = 0 and MRB.DISEL bit = 0). The MRB.DTS bit can be set to any value. Set the address of the RDR register in the SCIm (m = 0 to 12) in the SAR register, the start address of the RAM area for data storage in the DAR register, and 128 (0080h) in the CRA register. The CRB register can be set to any value.

(2) DTC Vector Table

The address where the transfer-control information for use with the RXI starts is set in the vector table for the DTC.

(3) ICU Set and DTC Module Activation

Set the corresponding ICU.DTCERi.DTCE bit to 1 and the ICU.IERi.IENj bit to 1.

Set the DTCST.DTCST bit to 1.

(4) SCI Set

Enable the receive end interrupt (RXI) by setting the SCR.RIE bit in the SCIm to 1. If a reception error occurs during the SCI receive operation, further reception is not performed. Accordingly, make settings so that the CPU can accept receive error interrupts.

(5) DTC Transfer

Every time the reception of 1 byte by the SCI is completed, an RXI interrupt is generated to activate the DTC. The DTC transfers the received byte from the RDR of the SCIm to RAM, after which the DAR register is incremented and the CRA register is decremented.

(6) Interrupt Handling

After 128 rounds of data transfer have been completed and the value in the CRA register becomes 0, an RXI interrupt request is generated for the CPU. Processing for completion is performed in the processing routine for this interrupt.

17.6.2 Chain Transfer when Counter = 0

The second data transfer is performed only when the counter = 0. Repeat transfer of a transfer count of 256 or more is enabled by the re-setting for the first data transfer.

The following shows an example of configuring a 128-Kbyte input buffer, where the input buffer is set so that its lower address starts with 0000h. Figure 17.15 shows a chain transfer when the counter = 0.

1. Set normal transfer mode for input data for the first data transfer. Set the following:
Transfer source address: Fixed, CRA = 0000h (65,536 times), CHNE bit = 1 (chain transfer enabled) in MRB, CHNS bit = 1 (chain transfer is performed only when the transfer counter is 0) in MRB, and DISEL bit = 0 (an interrupt request to the CPU is generated when specified data transfer is completed) in MRB.
2. Prepare the upper 8-bit address of the start address at every 65,536 times of the transfer destination address for the first data transfer in another area (such as ROM). For example, when setting the input buffer to 200000h to 21FFFFh, prepare 21h and 20h.
3. For the second data transfer, set repeat transfer mode (source side: repeat area) for re-setting the transfer destination address of the first data transfer. Specify the upper 8 bits of DAR in the first transfer data area for the transfer destination. At this time, set CHNE bit = 0 (chain transfer disabled) in MRB and DISEL bit = 0 (an interrupt request to the CPU is generated when specified data transfer is completed) in MRB. When setting the input buffer mentioned above to 200000h to 21FFFFh, set the transfer counter to 2.
4. The first data transfer is performed by an interrupt 65,536 times. When the transfer counter of the first data transfer becomes 0, the second data transfer starts. Set the upper 8 bits of the transfer source address of the first data transfer to 21h. The transfer counter (lower 16 bits) of the transfer destination address of the first data transfer is 0000h.
5. In succession, the first data transfer is performed by an interrupt 65,536 times specified for the first data transfer. When the transfer counter of the first data transfer becomes 0, the second data transfer starts. Set the upper 8 bits of the transfer source address of the first data transfer to 20h. The transfer counter (lower 16 bits) of the transfer destination address of the first data transfer is 0000h.
6. Steps 4 and 5 above are repeated infinitely. Since the second data transfer is in repeat transfer mode, no interrupt request to the CPU is generated.

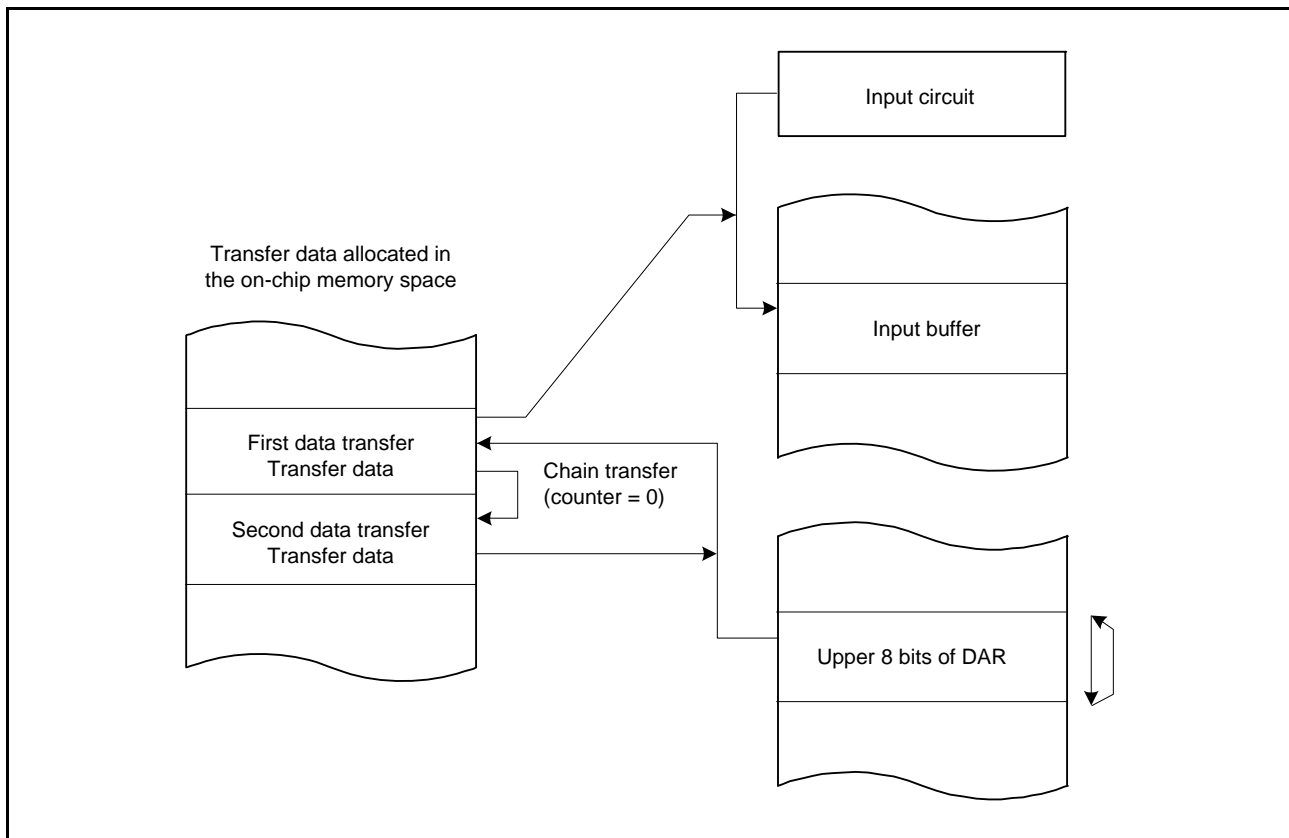


Figure 17.15 Chain Transfer when Counter = 0

17.7 Interrupt Source

When the DTC has finished data transfer of specified count or when data transfer with the DISEL bit in MRB set to 1 (an interrupt request to the CPU is generated each time DTC data transfer is performed) has been completed, an interrupt to the CPU is generated by the DTC startup source. Such interrupts to the CPU are controlled according to the PSW.I bit (interrupt enable) of the CPU, the PSW.IPL[3:0] bits (processor interrupt priority level), and the priority level of the interrupt controller.

17.8 Event Link Function

The DTC outputs the event link request after transfer for that single activating source is completed. However, if the transfer destination is the external bus, the event link request is issued at the end of writing to the write buffer.

17.9 Low Power Consumption Function

Before transition to the module stop state, all-module clock stop mode, software standby mode, or deep software standby mode, clear the DTCST bit in DTCST to 0 (the DTC suspended), and then perform the following.

(1) Module Stop Function

Writing 1 to the MSTPA28 bit (transition to the module-stop state) in MSTPCRA enables the module-stop function of the DTC. If DTC transfer is in progress at the time 1 is written to the MSTPA28 bit, the transition to the module stop state proceeds after DTC transfer has ended. While the MSTPA28 bit is 1, accessing the DTC registers are prohibited.

Writing 0 to the MSTPA28 bit releases the DTC from the module-stop state.

(2) All-Module Clock-Stop Mode

Make settings in accord with the procedure under section 11.6.2.1, Transition to All-Module Clock Stop Mode, in section 11, Low Power Consumption.

If DTC transfer operations are in progress at the time the WAIT instruction is executed, the transition to all-module clock stop mode follows the completion of DTC transfer.

The DTC is released from the module-stop state by writing 0 to the MSTPCRA.MSTPA28 bit following recovery from all-module clock stop mode.

(3) Software Standby and Deep Software Standby Modes

Make settings in accord with the procedure under section 11.6.3.1, Transition to Software Standby Mode, or section 11.6.4.1, Transition to Deep Software Standby Mode, in section 11, Low Power Consumption.

If DTC transfer operations are in progress at the time the WAIT instruction is executed, the transition to software standby mode or deep software standby mode follows the completion of DTC transfer.

(4) Notes on Low Power Consumption Function

For the WAIT instruction and the register setting procedure, section 11.7.6, Timing of WAIT Instructions in section 11, Low Power Consumption.

To perform DTC transfer after returning from low power consumption mode, set the DTCST bit in DTCST to 1 again.

To use a request that is generated in all-module clock stop mode and software standby mode as an interrupt request to the CPU but not as a DTC startup request, specify the CPU as the interrupt request destination in accordance with the description in section 14.4.3, Selecting Interrupt Request Destinations in section 14, Interrupt Controller (ICUb), and then execute the WAIT instruction.

17.10 Usage Notes

17.10.1 Transfer Data Start Address

Be sure to set multiples of 4 for the transfer data start addresses in the vector table. Otherwise, such addresses are accessed with their lowest 2 bits regarded as 00b.

17.10.2 Allocating Transfer Data

Allocate transfer data in the memory area according to the endian of the area as shown in Figure 17.16. For example, when writing CRA and CRB setting data with 16 bits in big endian, write the CRA setting data to lower address 0 and the CRB setting data to lower address 2. In little endian, write the CRB setting data to lower address 0 and the CRA setting data to lower address 2. When writing CRA and CRB setting data with 32 bits, place the CRA setting data at the MSB side and the CRB setting data at the LSB side regardless of endian, and then write the data to lower address 0.

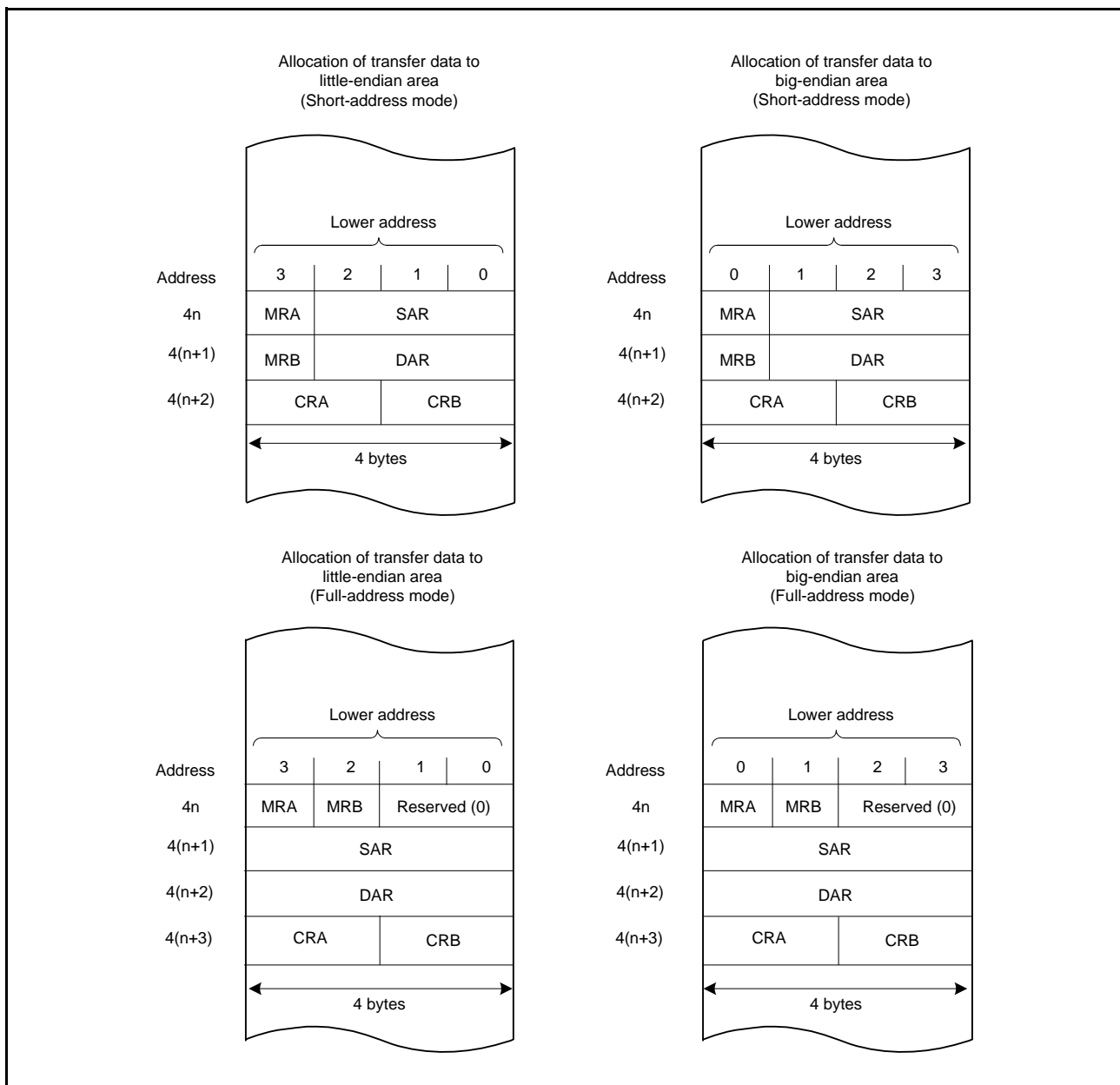


Figure 17.16 Allocation of Transfer Data

17.10.3 Setting the DTC Activation Enable Register (ICU.DTCERn) of the Interrupt Controller

The DMAC should not be activated by setting the DMAC activation request select register (ICU.DMRSRn (n = number of DMAC channel)) to the same vector number that has been specified by setting the ICU.DTCERn register 1 (DTC transfer enable). For details on the ICU.DTCERn and ICU.DMRSRn registers (n = number of DMAC channel), refer to section 14, Interrupt Controller (ICUb).

18. Event Link Controller (ELC)

18.1 Overview

The event link controller (ELC) connects (links) the events generated by various peripheral modules to different modules. Event linking allows direct cooperation between the modules without CPU intervention.

Table 18.1 lists the specifications of the ELC, and Figure 18.1 shows a block diagram of the ELC.

Table 18.1 ELC Specifications

Item	Description
Event link	<ul style="list-style-type: none"> 59 types of event signals can be directly connected to modules. The operation of timer modules can be selected when an event is input to the timer module. Event link operation is possible for ports B and E. Single-port*1: An event link can be set for a specified 1-bit in a port. Port group*1: An event link can be set for a group of specified bits within an 8-bit port.
Low power consumption function	Module stop state can be set.

Note 1. The single-port and port group specified as the input generate an event according to the change in the connected signal value.

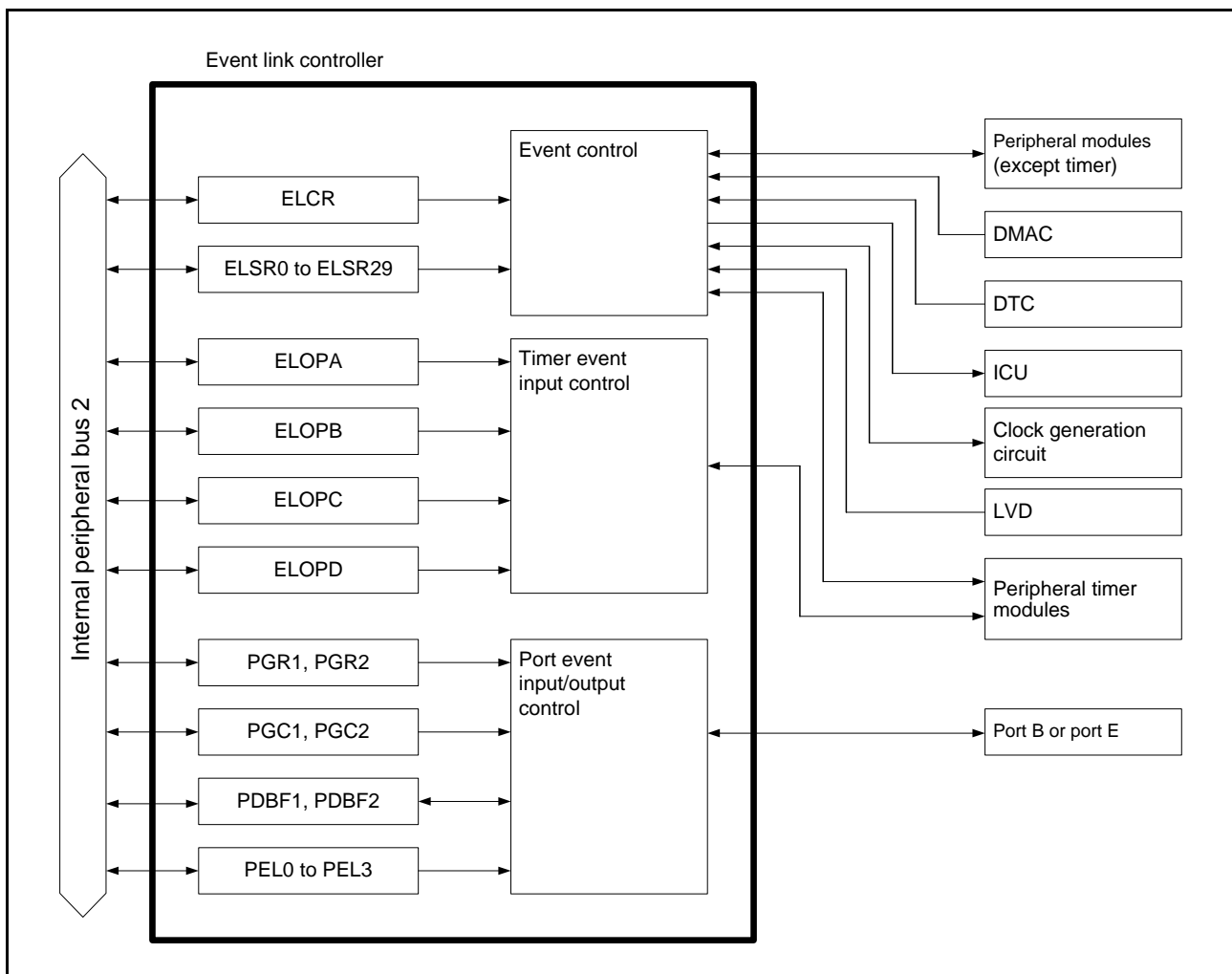


Figure 18.1 Block Diagram of Event Link Controller

18.2 Register Descriptions

18.2.1 Event Link Control Register (ELCR)

Address(es): 0008 B100h

	b7	b6	b5	b4	b3	b2	b1	b0
	ELCON	—	—	—	—	—	—	—

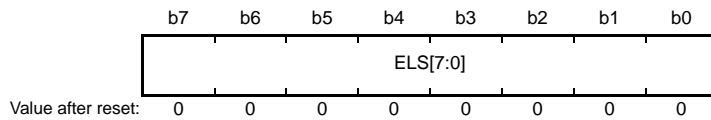
Value after reset: 0 1 1 1 1 1 1 1

Bit	Symbol	Bit Name	Description	R/W
b6 to b0	—	Reserved	These bits are read as 1. The write value should be 1.	R/W
b7	ELCON	All Event Link Enable	0: Linkage of all the event is disabled. 1: Linkage of all the event is enabled.	R/W

ELCR controls the operation of the event link controller (ELC).

18.2.2 Event Link Setting Register n (ELSRn) (n = 1 to 4, 7, 10, 12, 15, 16, 18 to 29)

Address(es): ELSR1: 0008 B102h, ELSR2: 0008 B103h, ELSR3: 0008 B104h, ELSR4: 0008 B105h,
 ELSR7: 0008 B108h, ELSR10: 0008 B10Bh, ELSR12: 0008 B10Dh, ELSR15: 0008 B110h,
 ELSR16: 0008 B111h, ELSR18: 0008 B113h, ELSR19: 0008 B114h, ELSR20: 0008 B115h,
 ELSR21: 0008 B116h, ELSR22: 0008 B117h, ELSR23: 0008 B118h, ELSR24: 0008 B119h,
 ELSR25: 0008 B11Ah, ELSR26: 0008 B11Bh, ELSR27: 0008 B11Ch, ELSR28: 0008 B11Dh,
 ELSR29: 0008 B11Eh



Bit	Symbol	Bit Name	Description	R/W
b7 to b0	ELS[7:0]	Event Link Select	b7 b0 00000000: Event link function is disabled. 00000001 to 01101001: Set the number for the event signal to be linked. Settings other than above are prohibited.	R/W

ELSRn specifies an event signal to be linked for each peripheral module. Table 18.2 shows the correspondence between ELSRn registers and the peripheral modules. Table 18.3 shows the correspondence between the event signal names set in ELSRn and the signal numbers.

Table 18.2 Correspondence between ELSRn Registers and Peripheral Functions

Register Name	Peripheral Function (Module)
ELSR1	MTU1
ELSR2	MTU2
ELSR3	MTU3
ELSR4	MTU4
ELSR7	CMT1
ELSR10	TMR0
ELSR12	TMR2
ELSR15	12-bit A/D converter
ELSR16	DA0
ELSR18	Interrupt 1
ELSR19	Interrupt 2
ELSR20	Output port group 1
ELSR21	Output port group 2
ELSR22	Input port group 1
ELSR23	Input port group 2
ELSR24	Single-port 0
ELSR25	Single-port 1
ELSR26	Single-port 2
ELSR27	Single-port 3
ELSR28	Clock source switching to LOCO
ELSR29	POE

Table 18.3 Correspondence between Event Signal Names Set in ELSRn.ELS[7:0] Bits and Signal Numbers (1 / 2)

ELS[7:0] Bit Value	Name of Event Signal Set in ELSR
00001000 (08h)	MTU1 compare match 1A signal
00001001 (09h)	MTU1 compare match 1B signal
00001010 (0Ah)	MTU1 overflow signal
00001011 (0Bh)	MTU1 underflow signal
00001100 (0Ch)	MTU2 compare match 2A signal
00001101 (0Dh)	MTU2 compare match 2B signal
00001110 (0Eh)	MTU2 overflow signal
00001111 (0Fh)	MTU2 underflow signal
00010000 (10h)	MTU3 compare match 3A signal
00010001 (11h)	MTU3 compare match 3B signal
00010010 (12h)	MTU3 compare match 3C signal
00010011 (13h)	MTU3 compare match 3D signal
00010100 (14h)	MTU3 overflow signal
00010101 (15h)	MTU4 compare match 4A signal
00010110 (16h)	MTU4 compare match 4B signal
00010111 (17h)	MTU4 compare match 4C signal
00011000 (18h)	MTU4 compare match 4D signal
00011001 (19h)	MTU4 overflow signal
00011010 (1Ah)	MTU4 underflow signal
00011111 (1Fh)	CMT1 compare match 1 signal
00100010 (22h)	TMR0 compare match A0 signal
00100011 (23h)	TMR0 compare match B0 signal
00100100 (24h)	TMR0 overflow signal
00101000 (28h)	TMR2 compare match A2 signal
00101001 (29h)	TMR2 compare match B2 signal
00101010 (2Ah)	TMR2 overflow signal
00101110 (2Eh)	RTC periodic signal
00110001 (31h)	IWDT underflow or refresh error signal
00111010 (3Ah)	SCI5 error (receive error or error signal detection) signal
00111011 (3Bh)	SCI5 receive data full signal
00111100 (3Ch)	SCI5 transmit data empty signal
00111101 (3Dh)	SCI5 transmit end signal
01001110 (4Eh)	RIIC0 communication error or event generation signal
01001111 (4Fh)	RIIC0 receive data full signal
01010000 (50h)	RIIC0 transmit data empty signal
01010001 (51h)	RIIC0 transmit end signal
01010010 (52h)	RSPI0 error (mode fault, overrun, or parity error) signal
01010011 (53h)	RSPI0 idle signal
01010100 (54h)	RSPI0 receive data full signal
01010101 (55h)	RSPI0 transmit data empty signal
01010110 (56h)	RSPI0 transmit end signal (except during clock synchronous operation in slave mode)
01011000 (58h)	A/D conversion end signal of 12-bit A/D converter
01011001 (59h)	Comparator B0 comparison result change signal
01011010 (5Ah)	Comparator B0, B1 common comparison result change signal
01011011 (5Bh)	LVD1 voltage detection signal

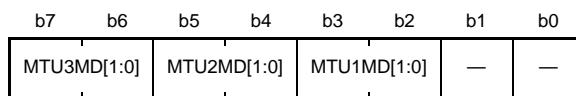
Table 18.3 Correspondence between Event Signal Names Set in ELSRn.ELS[7:0] Bits and Signal Numbers (2 / 2)

ELS[7:0] Bit Value	Name of Event Signal Set in ELSR
01011100 (5Ch)	LVD2 voltage detection signal
01011101 (5Dh)	DMAC0 transfer end signal
01011110 (5Eh)	DMAC1 transfer end signal
01011111 (5Fh)	DMAC2 transfer end signal
01100000 (60h)	DMAC3 transfer end signal
01100001 (61h)	DTC transfer end signal
01100010 (62h)	Oscillation stop detection signal of clock generation circuit
01100011 (63h)	Input edge detection signal of input port group 1
01100100 (64h)	Input edge detection signal of input port group 2
01100101 (65h)	Input edge detection signal of single input port 0
01100110 (66h)	Input edge detection signal of single input port 1
01100111 (67h)	Input edge detection signal of single input port 2
01101000 (68h)	Input edge detection signal of single input port 3
01101001 (69h)	Software event signal

Settings other than above are prohibited.

18.2.3 Event Link Option Setting Register A (ELOPA)

Address(es): 0008 B11Fh



Value after reset: 1 1 1 1 1 1 1 1

Bit	Symbol	Bit Name	Description	R/W
b1, b0	—	Reserved	These bits are read as 1. The write value should be 1.	R/W
b3, b2	MTU1MD[1:0]	MTU1 Operation Select	b3 b2 0 0: Counting is started. 0 1: Counting is restarted. 1 0: Input capture*1 1 1: Event is disabled.	R/W
b5, b4	MTU2MD[1:0]	MTU2 Operation Select	b5 b4 0 0: Counting is started. 0 1: Counting is restarted. 1 0: Input capture*2 1 1: Event is disabled.	R/W
b7, b6	MTU3MD[1:0]	MTU3 Operation Select	b7 b6 0 0: Counting is started. 0 1: Counting is restarted. 1 0: Input capture*3 1 1: Event is disabled.	R/W

Note 1. The MTU1.TCNT value is captured into MTU1.TGRA.

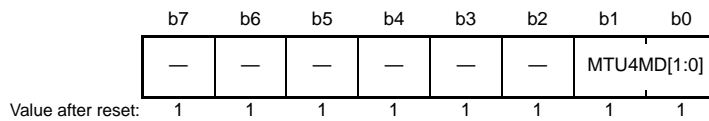
Note 2. The MTU2.TCNT value is captured into MTU2.TGRA.

Note 3. The MTU3.TCNT value is captured into MTU3.TGRA.

ELOPA determines the operation of MTU1 to MTU3 in the MTU when an event is input. All events must be disabled when the ELC function is not to be used.

18.2.4 Event Link Option Setting Register B (ELOPB)

Address(es): 0008 B120h



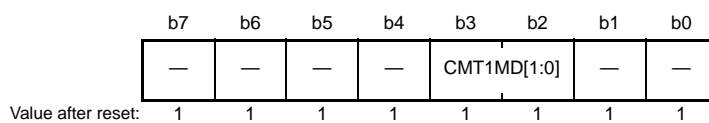
Bit	Symbol	Bit Name	Description	R/W
b1, b0	MTU4MD[1:0]	MTU4 Operation Select	b1 b0 0 0: Counting is started. 0 1: Counting is restarted. 1 0: Input capture*1 1 1: Event is disabled.	R/W
b7 to b2	—	Reserved	These bits are read as 1. The write value should be 1.	R/W

Note 1. The MTU4.TCNT value is captured into MTU4.TGRA.

ELOPB determines the operation of MTU4 in the MTU when an event is input. All events must be disabled when the ELC function is not to be used.

18.2.5 Event Link Option Setting Register C (ELOPC)

Address(es): 0008 B121h



Bit	Symbol	Bit Name	Description	R/W
b1, b0	—	Reserved	These bits are read as 1. The write value should be 1.	R/W
b3, b2	CMT1MD[1:0]	CMT1 Operation Select	b3 b2 0 0: Counting is started. 0 1: Counting is restarted. 1 0: Event counter 1 1: Event is disabled.	R/W
b7 to b4	—	Reserved	These bits are read as 1. The write value should be 1.	R/W

ELOPC determines the operation of CMT1 in the CMT when an event is input. All events must be disabled when the ELC function is not to be used.

18.2.6 Event Link Option Setting Register D (ELOPD)

Address(es): 0008 B122h

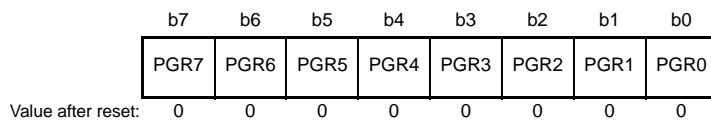


Bit	Symbol	Bit Name	Description	R/W
b1, b0	TMR0MD[1:0]	TMR0 Operation Select	b1 b0 0 0: Counting is started. 0 1: Counting is restarted. 1 0: Event counter 1 1: Event is disabled.	R/W
b3, b2	—	Reserved	These bits are read as 1. The write value should be 1.	R/W
b5, b4	TMR2MD[1:0]	TMR2 Operation Select	b5 b4 0 0: Counting is started. 0 1: Counting is restarted. 1 0: Event counter 1 1: Event is disabled.	R/W
b7, b6	—	Reserved	These bits are read as 1. The write value should be 1.	R/W

ELOPD determines the operation of TMR0 and TMR2 in the TMR when an event is input. All events must be disabled when the ELC function is not to be used.

18.2.7 Port Group Setting Register n (PGRn) (n = 1, 2)

Address(es): PGR1: 0008 B123h, PGR2: 0008 B124h



Bit	Symbol	Bit Name	Description	R/W
b0	PGR0	Port Group Setting 0	0: The port bit is not specified as a member of the same group. 1: The port bit is specified as a member of the same group.	R/W
b1	PGR1	Port Group Setting 1		R/W
b2	PGR2	Port Group Setting 2		R/W
b3	PGR3	Port Group Setting 3		R/W
b4	PGR4	Port Group Setting 4		R/W
b5	PGR5	Port Group Setting 5		R/W
b6	PGR6	Port Group Setting 6		R/W
b7	PGR7	Port Group Setting 7		R/W

PGRn specifies a group for I/O port bits. PGRn specifies each port bit in the same 8-bit I/O port as the member of a group. One to eight port bits can be specified as the members of the same group as required. The correspondence between PGRn and ports is shown in Table 18.4.

18.2.8 Port Group Control Register n (PGCn) (n = 1, 2)

Address(es): PGC1: 0008 B125h, PGC2: 0008 B126h



Bit	Symbol	Bit Name	Description	R/W
b1, b0	PGCI[1:0]	Event Output Edge Select	b1 b0 0 0: Event is generated upon detection of the rising edge of the external input signal. 0 1: Event is generated upon detection of the falling edge of the external input signal. 1 X: Event is generated upon detection of both the rising and falling edges of the external input signal.	R/W
b2	PGCOVE	PDBF Overwrite	0: Overwriting PDBF register is disabled. 1: Overwriting PDBF register is enabled.	R/W
b3	—	Reserved	This bit is read as 1. The write value should be 1.	R/W
b6 to b4	PGCO[2:0]	Port Group Operation Select	b6 b4 0 0 0: 0 is output when the event is input. 0 0 1: 1 is output when the event is input. 0 1 0: The toggled (inverted) value is output when the event is input. 0 1 1: The buffer value is output when the event is input. 1 X X: The bit value is rotated out in the group (from MSB to LSB) when the event is input.	R/W
b7	—	Reserved	This bit is read as 1. The write value should be 1.	R/W

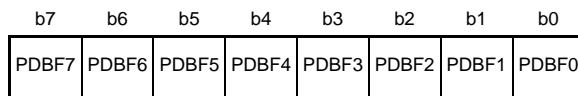
X: Don't care

For the output port group, PGCn specifies the form of outputting the signal externally via the port when the event signal is input. For the input port group, PGCn enables/disables overwriting of PDBF and specifies the conditions of event generation (edge of the externally input signal).

The correspondence between PGCn and ports is shown in Table 18.4.

18.2.9 Port Buffer Register n (PDBFn) (n = 1, 2)

Address(es): PDBF1: 0008 B127h, PDBF2: 0008 B128h



Value after reset: 0 0 0 0 0 0 0 0

Bit	Symbol	Bit Name	Description	R/W
b0	PDBF0	Port Buffer 0	Data is transferred between PODR and PDBF when an event is input. Write access to the bit specified as a member of the input port group by the CPU is invalid. For details, see section 18.3, Operation.	R/W
b1	PDBF1	Port Buffer 1		R/W
b2	PDBF2	Port Buffer 2		R/W
b3	PDBF3	Port Buffer 3		R/W
b4	PDBF4	Port Buffer 4		R/W
b5	PDBF5	Port Buffer 5		R/W
b6	PDBF6	Port Buffer 6		R/W
b7	PDBF7	Port Buffer 7		R/W

PDBFn is an 8-bit readable/writable register used in combination with PGRn. For PDBFn operations, see section 18.3, Operation. Table 18.4 shows registers related to port groups and corresponding port numbers.

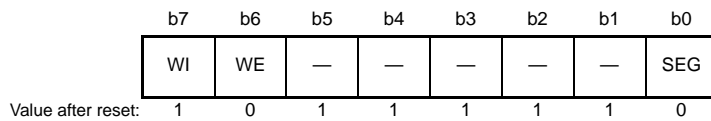
Table 18.4 Registers Related to Port Groups and Corresponding Port Numbers

Port Group Setting Register (PGR)	Port Group Control Register (PGC)	Port Buffer Register (PDBF)	Port Number
PGR1 register	PGC1 register	PDBF1 register	Port B
PGR2 register	PGC2 register	PDBF2 register	Port E

Note: • Since pins PE0 to PE5 are not available, bits b0 to b5 of the PGR2 and PDBF2 registers cannot be set.

18.2.11 Event Link Software Event Generation Register (ELSEGR)

Address(es): 0008 B12Dh



Bit	Symbol	Bit Name	Description	R/W
b0	SEG	Software Event Generation	0: Normal operation 1: Software event is generated.	W
b5 to b1	—	Reserved	These bits are read as 1. The write value should be 1.	R/W
b6	WE	SEG Bit Write Enable	0: Write to SEG bit is disabled. 1: Write to SEG bit is enabled.	R/W
b7	WI	ELSEGR Write Disable	0: Write to ELSEGR is enabled. 1: Write to ELSEGR is disabled.	W

The MOV instruction must always be used to write to this register.

SEG Bit (Software Event Generation)

When 1 is written to this bit while the WE bit is 1, a software event is generated. This bit is read as 0. Even if 1 is written to this bit, the data will not be stored.

WE Bit (SEG Bit Write Enable)

The SEG bit can be written to only when the WE bit is 1.

[Setting condition]

If 1 is written to this bit while the WI bit is 0, this bit becomes 1.

[Clearing condition]

If 0 is written to this bit while the WI bit is 0, this bit becomes 0.

WI Bit (ELSEGR Write Disable)

ELSEGR can be written to only when the value to be written to the WI bit is 0.

This bit is read as 1.

18.3 Operation

18.3.1 Relation between Interrupt Processing and Event Linking

The modules incorporated in the RX210 are provided with the interrupt request status flags and the bits to enable/disable these interrupt requests. When an interrupt request is generated in a module, the corresponding interrupt request status flag is set. If the corresponding interrupt request is enabled then, the interrupt requested is issued to the CPU.

In contrast, the ELC uses interrupt requests (hereinafter referred to as events) generated in modules as event signals that directly activate other modules. This means that the event signal can be used whether or not the interrupt signal is enabled. Figure 18.2 shows the relation between the interrupt processing and ELC.

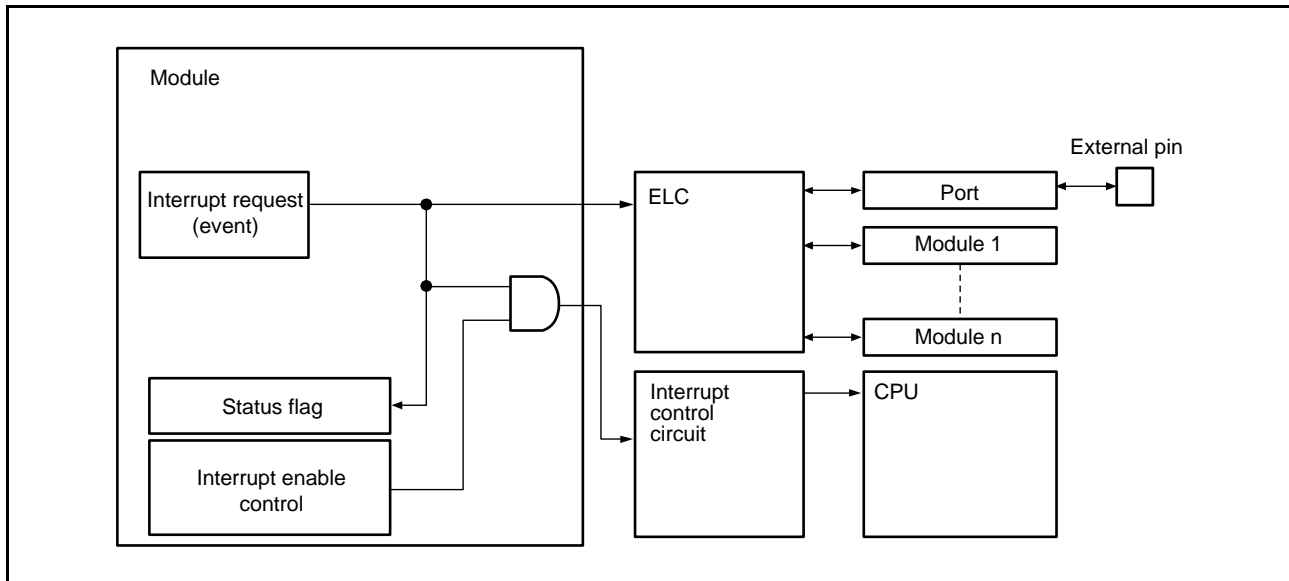


Figure 18.2 Relation between Interrupt Processing and ELC

18.3.2 Event Linkage

When an event has been set as a trigger in the event link setting registers (ELSRn) and then occurs, that event is linked with the corresponding module (the module is activated). Only one type of event can be connected with one module.

When a module is to be activated by the event link controller, the operation of the module must be set up in advance.

Table 18.5 lists the operations of modules when an event is input.

Table 18.5 Operations of Modules when Event is Input

Module	Operations when Event is Input		
MTU CMT TMR	Each timer operates differently depending on the ELOPA to ELOPD registers as below. <ul style="list-style-type: none"> • Starts counting when an event signal is input. • Restarts counting when an event signal is input. • Counts the input events (CMT, TMR). • Performs input-capture operation when an event is input (MTU). 		
A/D converter	Starts A/D conversion when an event signal is input.		
D/A converter	Starts D/A conversion when an event signal is input		
Output ports	The value of PODR (output port register) changes when an event signal is input. (The value of the signal to be output from the relevant external pin changes.)	Port group	The port group operates differently depending on the settings as below. <ul style="list-style-type: none"> • Changes the PODR value to the specified value. • Transfers the PDBFn value to PODR. • Rotates out the bit value.
		Single-port	Changes the PODR value to the specified value.
Input ports	When the signal value of the input pin changes	Port group	Generates an event.
		Single-port	
	When an event is input	Port group	Transfers the signal value of the external pin to PDBFn.
		Single-port	Event connection is not possible.
Clock oscillator	Switches the clock source to the low-speed on-chip oscillator operation.*1		
interrupt controller	Issues an interrupt request to the CPU, starts DMAC data transfer, and starts DTC data transfer.		
POE	Drives the MTU complementary PWM output pin and MTU0 output pin to the high-impedance state.		

Note 1. The SCKCR3.CKSEL[2:0] bits are modified to 000b (LOCO) regardless of the value of the protect register (PRCR.PRC0).

18.3.3 Operation of Peripheral Timer Modules When Event is Input

The operations are performed depending on the ELOPA to ELOPD registers when an event is input.

(1) Counting Start Operation

When an event is input, the timer starts counting, which sets the count start bit*1 in each timer control register to 1. An event that is input while the count start bit is 1 is invalid.

(2) Counting Restart Operation

When an event is input, the timer counter*1 is initialized. Since the count start bit*1 in each timer control register is retained, counting is restarted when an event is input while the count start bit is set to 1.

(3) Event Counter Operation

Event input is selected as the timer clock source and the timer counts events.

(4) Input Capture Operation

When an event is input, the timer performs input-capture operation.

Note 1. See the descriptions on the bit in the relevant timer section.

18.3.4 Operation of A/D and D/A Converters when Event is Input

The A/D and D/A converter start A/D and D/A conversion, respectively, when the ADCSR.ADST bit and the DACR.DAE bit*1 are set to 1.

Note 1. See the descriptions on the bits in the A/D and D/A converter sections.

18.3.5 Port Operation upon Event Input and Event Generation

The port operation to be performed upon event input to the port can be set and the operation causing the port to generate an event can be set.

(1) Single-Ports and Port Groups

There are two event link modes: event link to single-ports and event link to port groups. In the former mode, events can be connected to any bit in an 8-bit port. In the latter mode, events can be connected to port groups consisting of any two or more bits in the same 8-bit port.

A single-port can be set by specifying any bit in the port*1 to which an event can be connected using the PEL0 to PEL3 registers. A port group can be set by specifying any one or more bits in the port*1 to which an event can be connected using the PGCn register. One input port group and one output port group can be set in the same port.

If the port bit is specified as both a single-port and a member of a port group, both functions are effective when the relevant port is input, whereas only the port group function is effective when the relevant port is output.

The input or output direction of ports can be selected using the PDR register.

Note 1. Port B and port E

(2) Event Generation by Input Single-Ports

An input single-port generates an event when the signal value of the external pin connected to the relevant port changes. The event generation condition is specified using the PEL0 to PEL3 registers. An example of operation is shown in Figure 18.3.

(3) Output Single-Port Operation upon Event Input

When an event is input to an output single-port, the PODR value of the relevant port changes. The specific change of the PODR value is specified using the PEL0 to PEL3 registers. Thus, the change of the PODR value changes the signal value of the external pin connected to the relevant port. An example of operation is shown in Figure 18.3.

(4) Input Port Group Operation upon Event Input and Event Generation

An input port group generates an event when the signal value of any one of the external pins connected to the relevant port group changes. The event generation condition is specified using the PGCn registers. When an event is input to an input port group, the signal value of the external pin upon event input is transferred to PDBFn. In this case, only the values of the bits specified as members of the input port group are transferred. An example of operation is shown in Figure 18.4.

(5) Output Port Group Operation upon Event Input

When an event is input to an output port group, the PODR values change to the values according to the PGCn settings. An example of operation is shown in Figure 18.5.

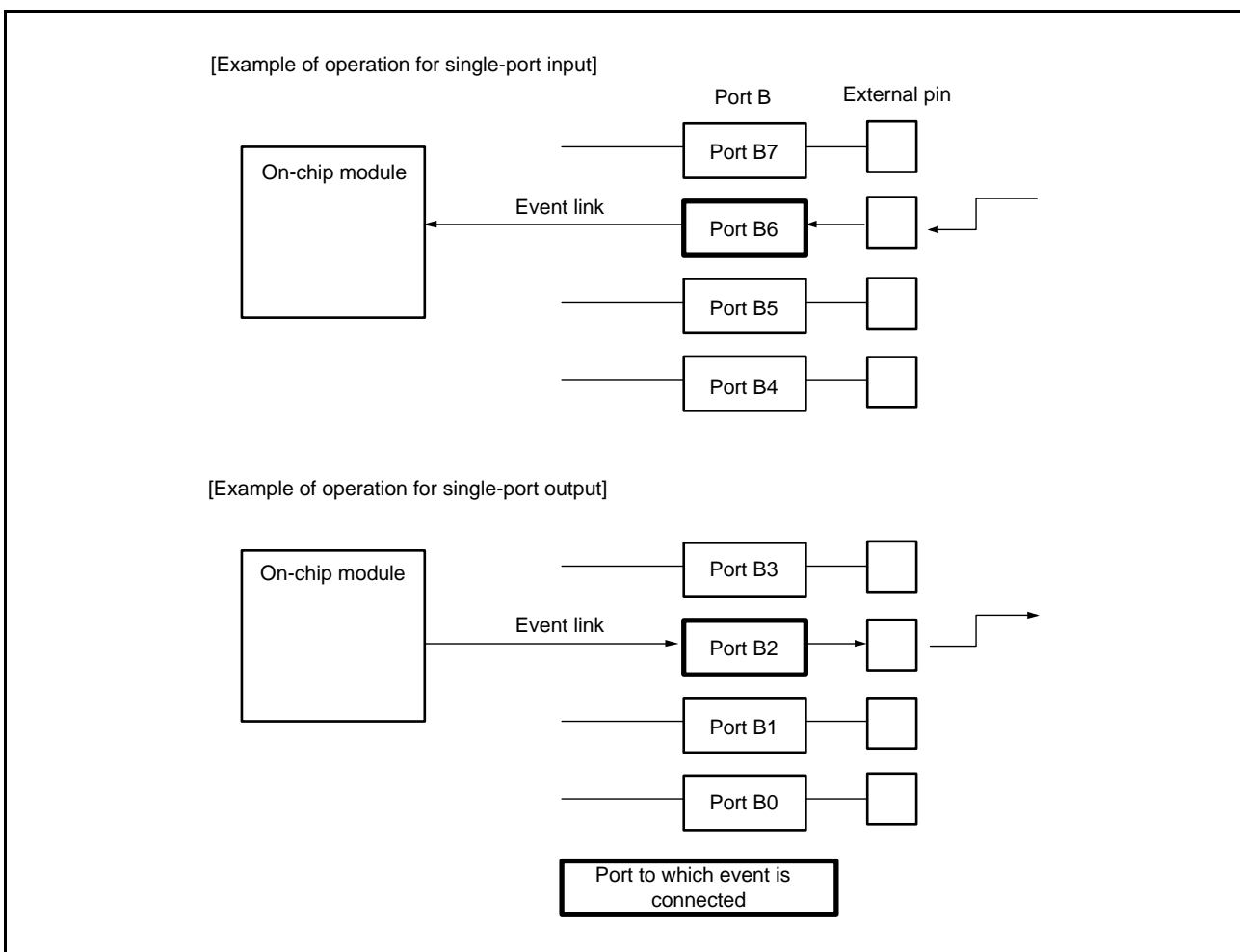


Figure 18.3 Event Linkage Related to Single-Ports

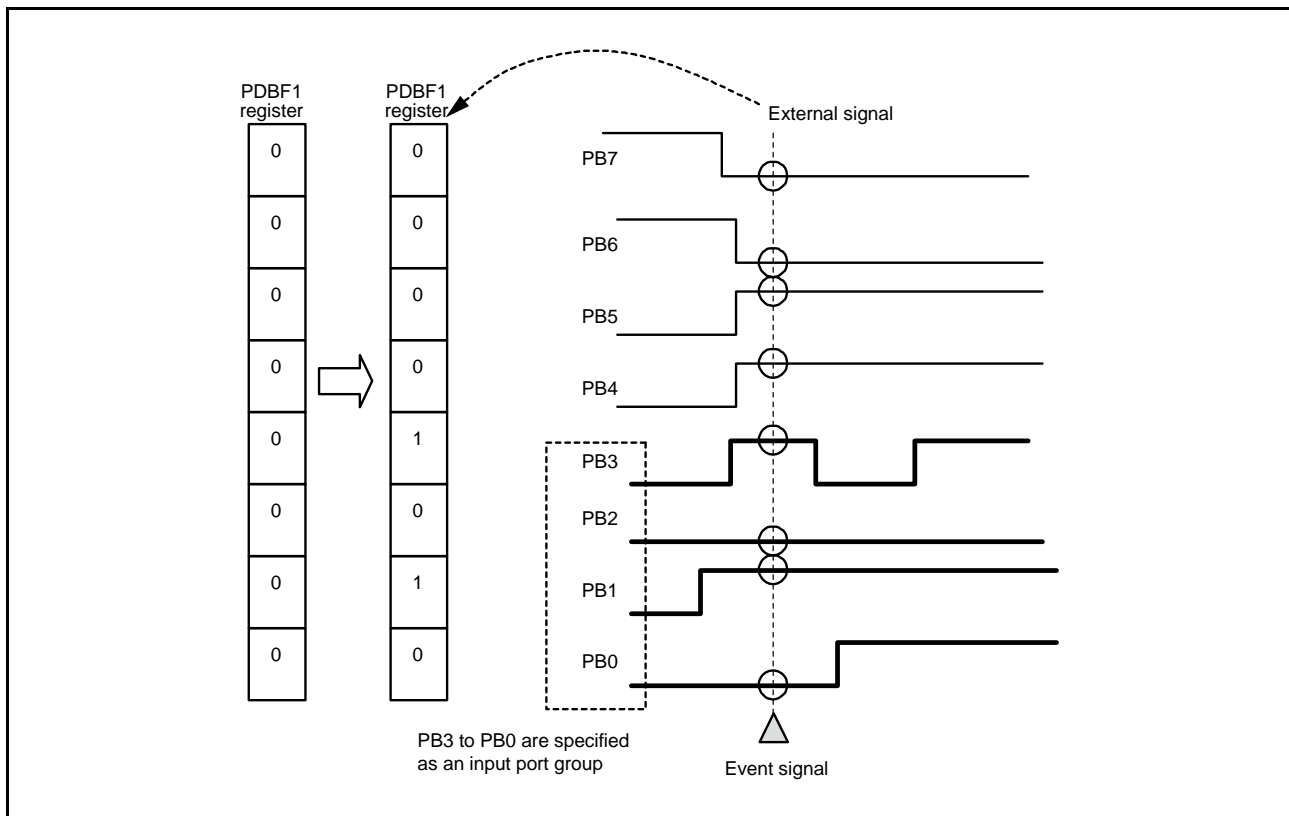


Figure 18.4 Event Linkage Related to Input Port Groups

(6) Operation of Port Buffer Registers

(a) Input Port Groups

When an event is input to an input port group, the signal value of the external pin of the bit specified as a member of the input port group is transferred to PDBFn. If another event is input to the input port group in this state, operations are performed depending on the PGCn.PGCOVE bit setting as described below.

- PGCn.PGCOVE = 0 (overwriting PDBFn is disabled)
If the PDBFn value that has been transferred upon the latest event input has already been read by the CPU (or transferred by the DTC), the signal value of the external pin is transferred to PDBFn. If not read, the signal value of the external pin is not transferred and the input event is invalid.
- PGCn.PGCOVE = 1 (overwriting PDBFn is enabled)
When another event is input to an input port group, the signal value of the external pin is transferred to PDBFn.

(b) Output Port Groups

If an output port group is specified so that it should output the PDBFn value, the PDBFn value is transferred to PODR when an event is input to the output port group. In this case, only the values of the bits specified as members of the output port group are transferred.

If an output port group is specified so that it should rotate out the bit values in the group (PGCn.PGCO[2:0] bits = 1xx), the PDBFn data is transferred to PODR, and then the PODR value is rotated bit by bit from MSB to LSB. The initial value to be output to the port group should be provided in PDBFn.

Examples of operation are shown in Figure 18.5 and Figure 18.6.

(7) Restrictions on Writing to PODR or PDBF by CPU

When the ELCR.ELCON bit is set to 1, write access to the following registers is invalid.

- If bits are specified as members of the input port group and the event linkage is set for the port group, write access to the relevant bits in PDBFn by the CPU is invalid.
- If port bits are specified as members of the output port group, write access to the relevant bits in PODR by the CPU is invalid.
- If a port bit is specified as an output single-port and the event linkage is set (by ELSRn) for the port, write access to the relevant bit in PODR by the CPU is invalid.

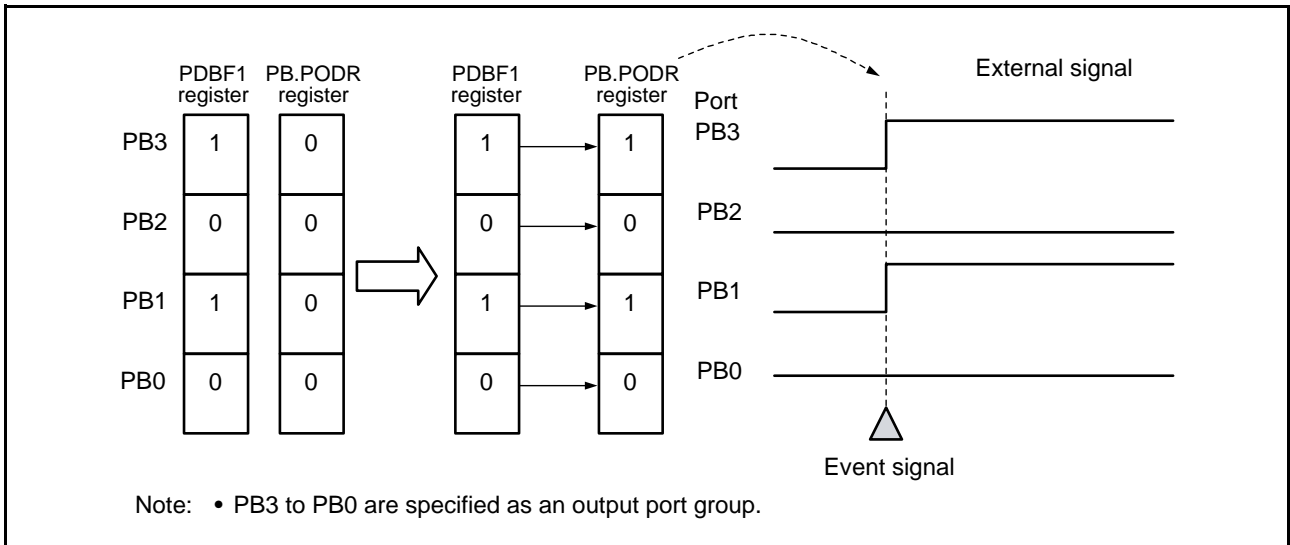


Figure 18.5 Event Linkage Related to Output Port Groups

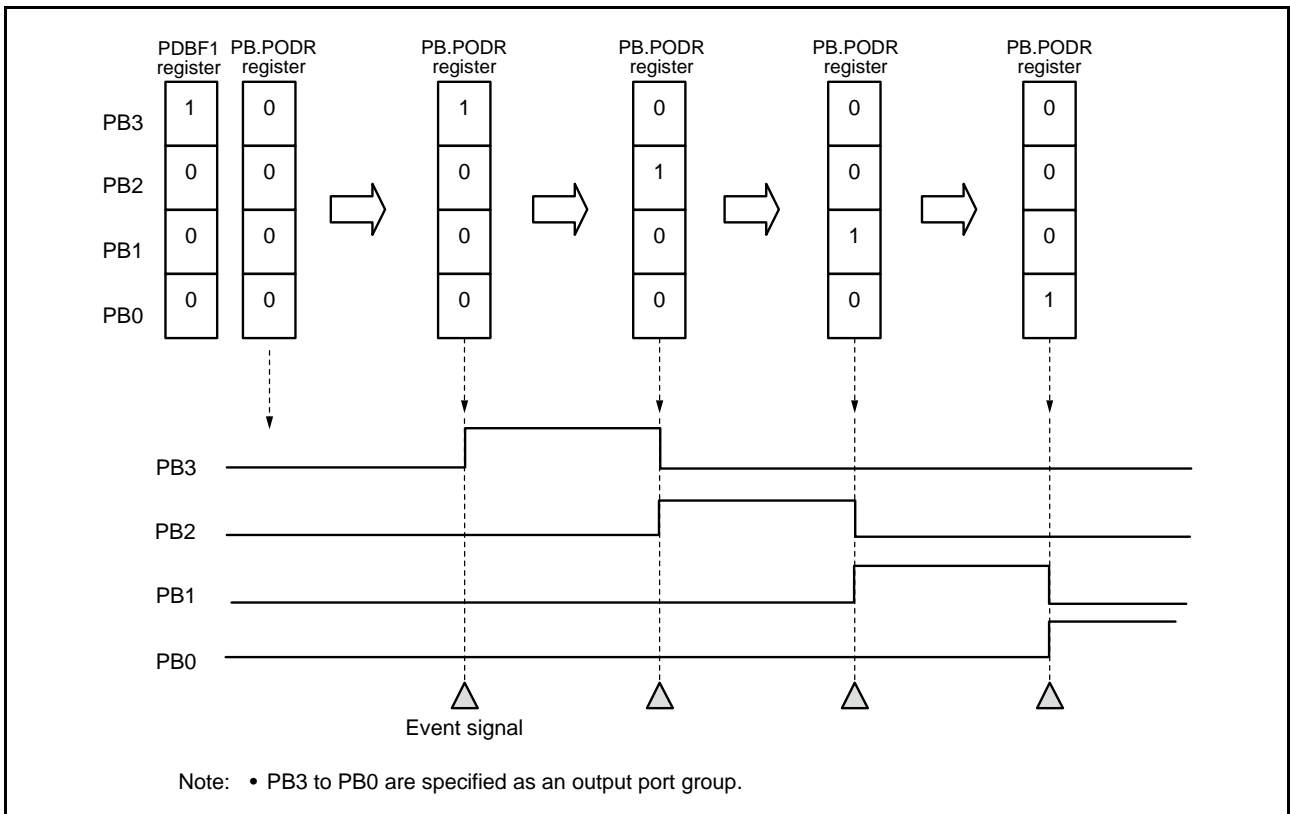


Figure 18.6 Bit-Rotating Operation of Output Port Groups

18.3.6 Procedure for Linking Events

The following describes the procedure for linking events.

1. Set the operation of the module to which an event is to be linked.
2. If events are linked to ports, set the registers corresponding to the ports as below.
PODR: Set the initial values of the output ports.
PDR: Set the I/O direction of the ports.
PGRn: If ports are used as a port group, set the ports (in bit units) to be grouped.
PGCn: Set the operation of the port group.
PELn: If ports are used as single-ports, set the ports, the operation of the ports when an event is input, and the condition when an event is generated.
3. To the ELSRn register corresponding to the module to which an event signal is to be linked, set the number of the event signal.
4. If events are to be linked to timers, set the ELOPA to ELOPD registers corresponding to the timers as required.
5. Set the ELCR.ELCON bit to 1, which enables linkage of all the events.
6. Set the operation of the module from which an event is output, and start the module. This allows the event output from the module to start the module to which an event is linked as specified.
7. To stop event linkage of some independent modules, set 00000000b to the ELSRn.ELS[7:0] bits corresponding to the modules. To stop linkage of all the events, clear the ELCR.ELCON bit to 0.

Note: • If event link output from the RTC is to be used, make the ELC settings after the RTC settings (initialization, time setting, etc.). Unintended events may be generated if RTC settings are made after the ELC settings.

18.4 Usage Notes

18.4.1 Setting the ELSR18 and ELSR19 Registers

Specify an event number from among 01100011 (63h) to 01101001 (69h); the other settings are prohibited.

18.4.2 Setting the Bit-Rotating Operation of the Output Port Groups

When the values of PDBFn are changed in the bit-rotating operation mode of the output port group, set the ELSRn register again. When events are used during bit-rotating operation, generate an event after an interval of one PCLK cycle. If not, the normal operation cannot be provided.

18.4.3 Linking DMAC/DTC Transfer End Signals as Events

When linking the DMAC/DTC transfer end signals as events, do not set the same peripheral module as the DMAC/DTC transfer destination and event link destination. If set, the peripheral module might be started before DMAC/DTC transfer to the peripheral module is completed.

18.4.4 Setting Clocks

To connect events output by the peripheral modules with each other and operate the modules, it is necessary for the ELC and the related modules to be enabled. The modules cannot operate if the related modules are in the module stop state or in the specific low power consumption mode in which the module is stopped (all-module clock stop mode, software standby mode, or deep software standby mode).

18.4.5 Module Stop Function Setting

ELC operation can be disabled or enabled using module stop control register B (MSTPCRB). The initial setting is for the ELC to be halted. Register access is enabled by canceling the module stop state. For details, see section 11, Low Power Consumption.

19. I/O Ports

19.1 Overview

The I/O ports function as a general I/O port, an I/O pin of a peripheral module, an input pin for an interrupt, or a bus control pin.

Some of the pins are also configurable as an I/O pin of a peripheral module or an input pin for an interrupt. All pins function as input pins immediately after a reset, and pin functions are switched by register settings. The setting of each pin is specified by the registers for the corresponding I/O port and on-chip peripheral modules.

Each port has the port direction register (PDR) that selects input or output direction, the port output data register (PODR) that holds data for output, the port input data register (PIDR) that indicates the pin states, the open drain control register y (ODRy, y = 0, 1) that selects the output type of each pin, the pull-up control register (PCR) that controls on/off of the input pull-up MOS, the driving ability control register (DSCR) that selects the driving ability, and the port mode register (PMR) that specifies the pin function of each port.

For details on the PMR register, see section 20, Multi-Function Pin Controller (MPC).

The configuration of the I/O ports differs depending on the package. Table 19.1 lists the specifications of I/O ports, and Table 19.2 lists the port functions.

Table 19.1 Specifications of I/O Ports

Port	Package		Package		Package		Package		Package	
	145 Pins, 144 Pins	Number of Pin	100 Pins	Number of Pin	80 Pins	Number of Pin	69 Pins, 64 Pins	Number of Pin	48 Pins	Number of Pin
PORT0	P00 to P03, P05, P07	6	P03, P05, P07	3	P03, P05, P07	3	P03, P05	2	Not provided	0
PORT1	P12 to P17	6	P12 to P17	6	P12 to P17	6	P14 to P17	4	P14 to P17	4
PORT2	P20 to P27	8	P20 to P27	8	P20, P21, P26, P27	4	P26, P27	2	P26, P27	2
PORT3	P30 to P37	8	P30 to P37	8	P30 to P32, P34 to P37	7	P30 to P32, P35 to P37	6	P30, P31, P35 to P37	5
PORT4	P40 to P47	8	P40 to P47	8	P40 to P47	8	P40 to P44, P46	6	P40 to P42, P46	4
PORT5	P50 to P56	7	P50 to P55	6	P54, P55	2	P54, P55	2	Not provided	0
PORT6	P60 to P67	8	Not provided	0	Not provided	0	Not provided	0	Not provided	0
PORT7	P70 to P77	8	Not provided	0	Not provided	0	Not provided	0	Not provided	0
PORT8	P80 to P83, P86, P87	6	Not provided	0	Not provided	0	Not provided	0	Not provided	0
PORT9	P90 to P93	4	Not provided	0	Not provided	0	Not provided	0	Not provided	0
PORTA	PA0 to PA7	8	PA0 to PA7	8	PA0 to PA6	7	PA0, PA1, PA3, PA4, PA6	5	PA1, PA3, PA4, PA6	4
PORTB	PB0 to PB7	8	PB0 to PB7	8	PB0 to PB7	8	PB0, PB1, PB3, PB5 to PB7	6	PB0, PB1, PB3, PB5	4
PORTC	PC0 to PC7	8	PC0 to PC7	8	PC2 to PC7	6	PC2 to PC7	6	PC4 to PC7	4
PORTD	PD0 to PD7	8	PD0 to PD7	8	PD0 to PD2	3	Not provided	0	Not provided	0
PORTE	PE0 to PE7	8	PE0 to PE7	8	PE0 to PE5	6	PE0 to PE5	6	PE1 to PE4	4
PORTF	PF5	1	Not provided	0	Not provided	0	Not provided	0	Not provided	0
PORTH	PH0 to PH3	4	PH0 to PH3	4	PH0 to PH3	4	PH0 to PH3	4	PH0 to PH3	4
PORTJ	PJ1, PJ3, PJ5	3	PJ1, PJ3	2	PJ1	1	Not provided	0	Not provided	0
PORTK	PK2 to PK5	4	Not provided	0	Not provided	0	Not provided	0	Not provided	0
PORTL	PL0, PL1	2	Not provided	0	Not provided	0	Not provided	0	Not provided	0
	Total of Pins	123	Total of Pins	85	Total of Pins	65	Total of Pins	49	Total of Pins	35

Table 19.2 Port Functions (48 to 100 pins)

Port	Pin	Input Pull-up	Open Drain Output	Driving Ability Switching	5-V Tolerant
PORT0	P03, P05, P07	○	—	Fixed to normal output	—
PORT1	P12, P13, P16, P17*1	○	○	○	○
	P14, P15	○	○	○	—
PORT2	P20 to P27	○	○	○	—
PORT3	P30 to P34, P36, P37	○	○	○	—
	P35	—	—	—	—
PORT4	P40 to P47	○	—	Fixed to normal output	—
PORT5	P50 to P55	○	—	○	—
PORTA	PA0 to PA7	○	○	○	—
PORTB	PB0 to PB7	○	○	○	—
PORTC	PC0 to PC7	○	○	○	—
PORTD	PD0 to PD7	○	—	○	—
PORTE	PE0 to PE7	○	○	○	—
PORTH	PH0 to PH3	○	—	○	—
PORTJ	PJ1, PJ3	○	—	○	—

Note 1. In chip version A of the part numbers below, port P17 is not 5 V tolerant.
R5F52108ADFM, R5F52107ADFM, R5F52106ADFM, and R5F52105ADFM

Table 19.3 Port Functions (144 pins or more)

Port	Pin	Input Pull-up	Open Drain Output	Driving Ability Switching	5-V Tolerant
PORT0	P00 to P02	○	○	○	—
	P03, P05, P07	○	—	Fixed to normal output	—
PORT1	P12, P13, P16, P17*1	○	○	○	○
	P14, P15	○	○	○	—
PORT2	P20 to P27	○	○	○	—
PORT3	P30 to P34, P36, P37	○	○	○	—
	P35	—	—	—	—
PORT4	P40 to P47	○	—	Fixed to normal output	—
PORT5	P50 to P52, P54	○	○	○	—
	P53, P55, P56	○	—	○	—
PORT6	P60, P61	○	○	○	—
	P62 to P67	○	—	Fixed to normal output	—
PORT7	P70, P74 to P77	○	○	○	—
	P71 to P73	○	—	Fixed to normal output	—
PORT8	P80 to P83	○	○	○	—
	P86, P87	○	—	○	—
PORT9	P90 to P93	○	○	○	—
PORTA	PA0 to PA7	○	○	○	—
PORTB	PB0 to PB7	○	○	○	—
PORTC	PC0 to PC7	○	○	○	—
PORTD	PD0 to PD7	○	—	○	—
PORTE	PE0 to PE7	○	○	○	—
PORTF	PF5	○	—	Fixed to normal output	—
PORTH	PH0 to PH3	○	—	○	—
PORTJ	PJ1, PJ3	○	—	○	—
	PJ5	○	—	Fixed to normal output	—
PORTK	PK2 to PK5	○	○	○	—
PORTL	PL0, PL1	○	—	Fixed to normal output	—

Specifying input pull-up, open-drain output, switching of driving ability, or 5-V tolerance is available for other signals on pins that also function as general I/O pins.

19.2 I/O Port Configuration

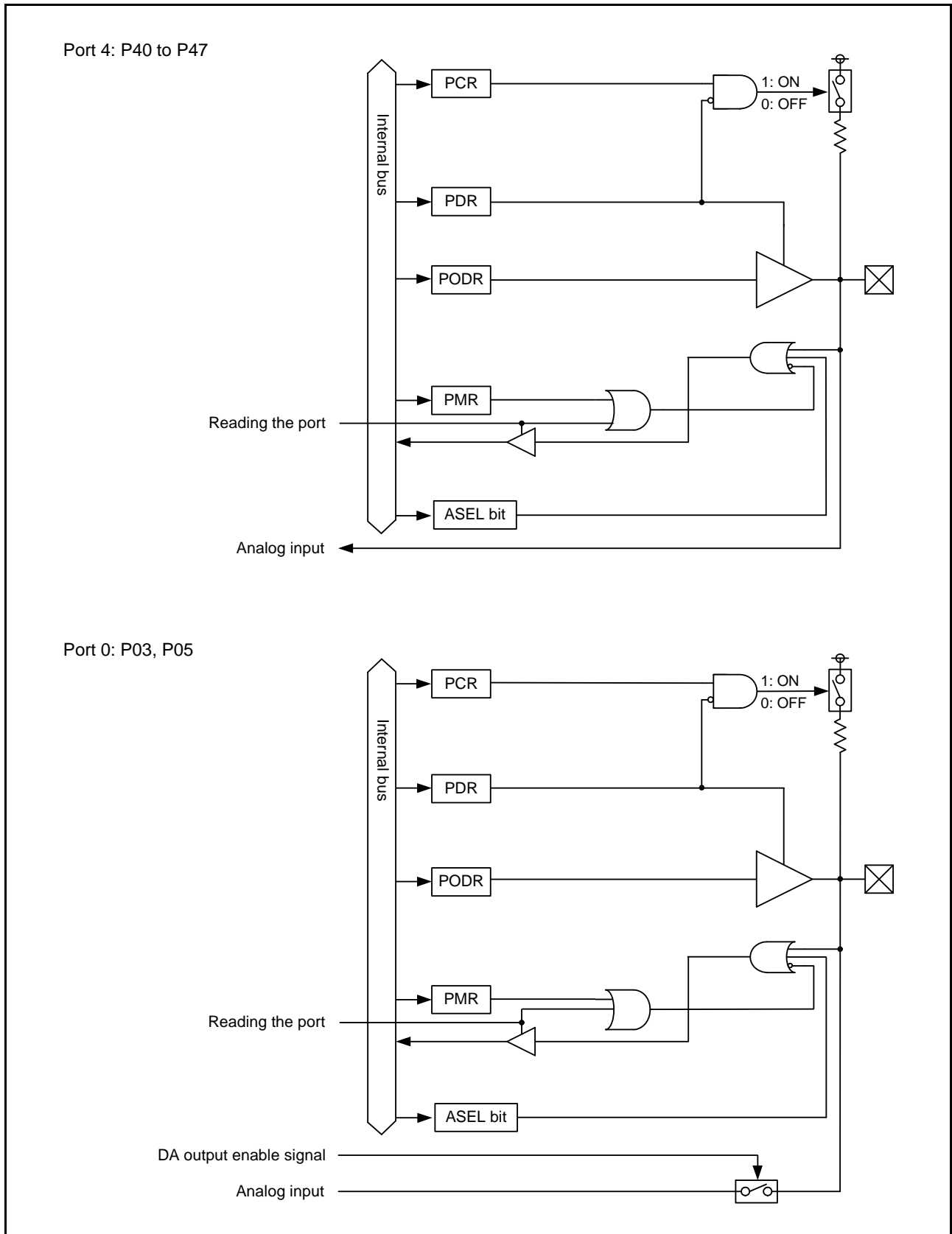


Figure 19.1 I/O Port Configuration (1)

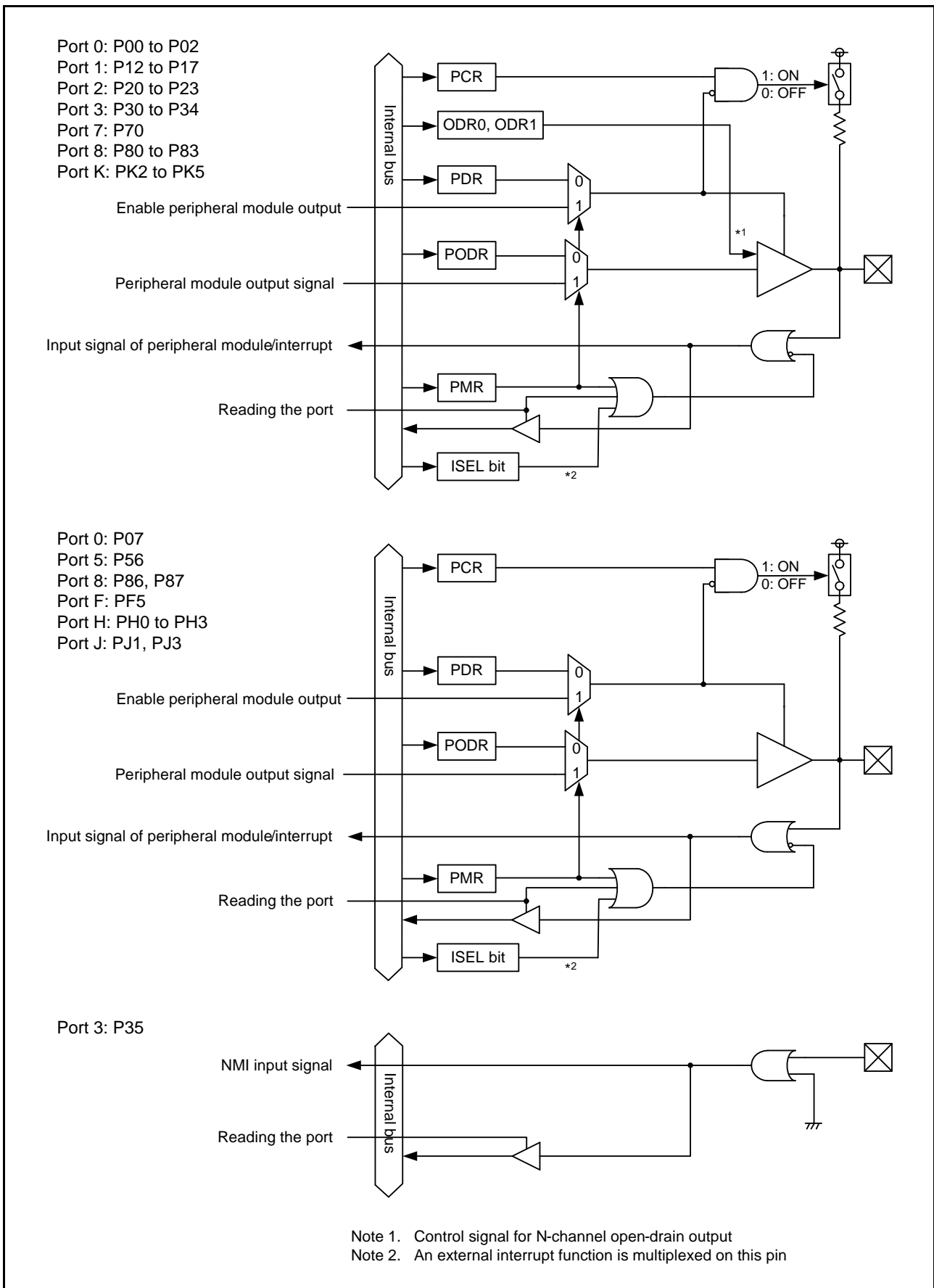


Figure 19.2 I/O Port Configuration (2)

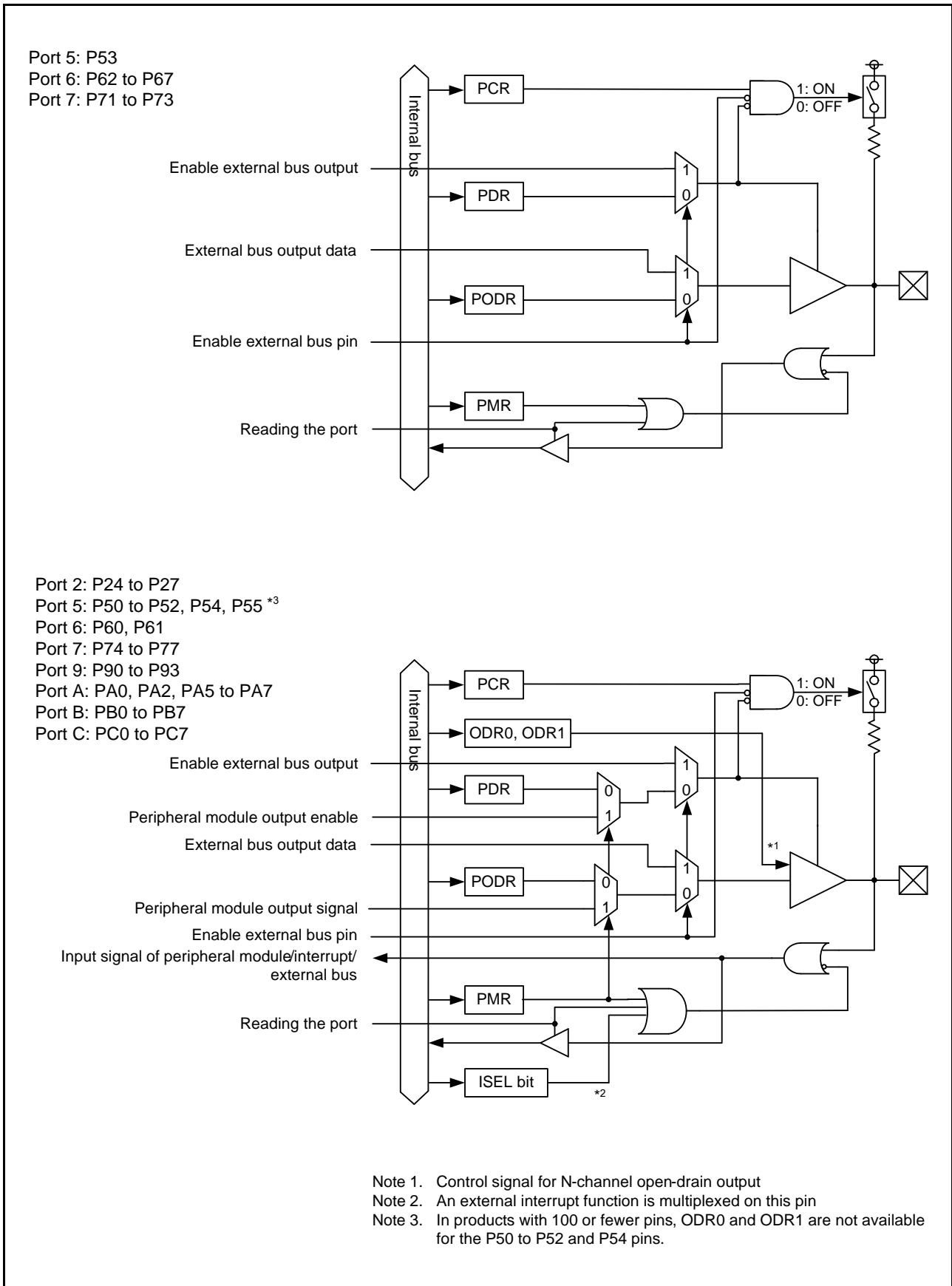


Figure 19.3 I/O Port Configuration (3)

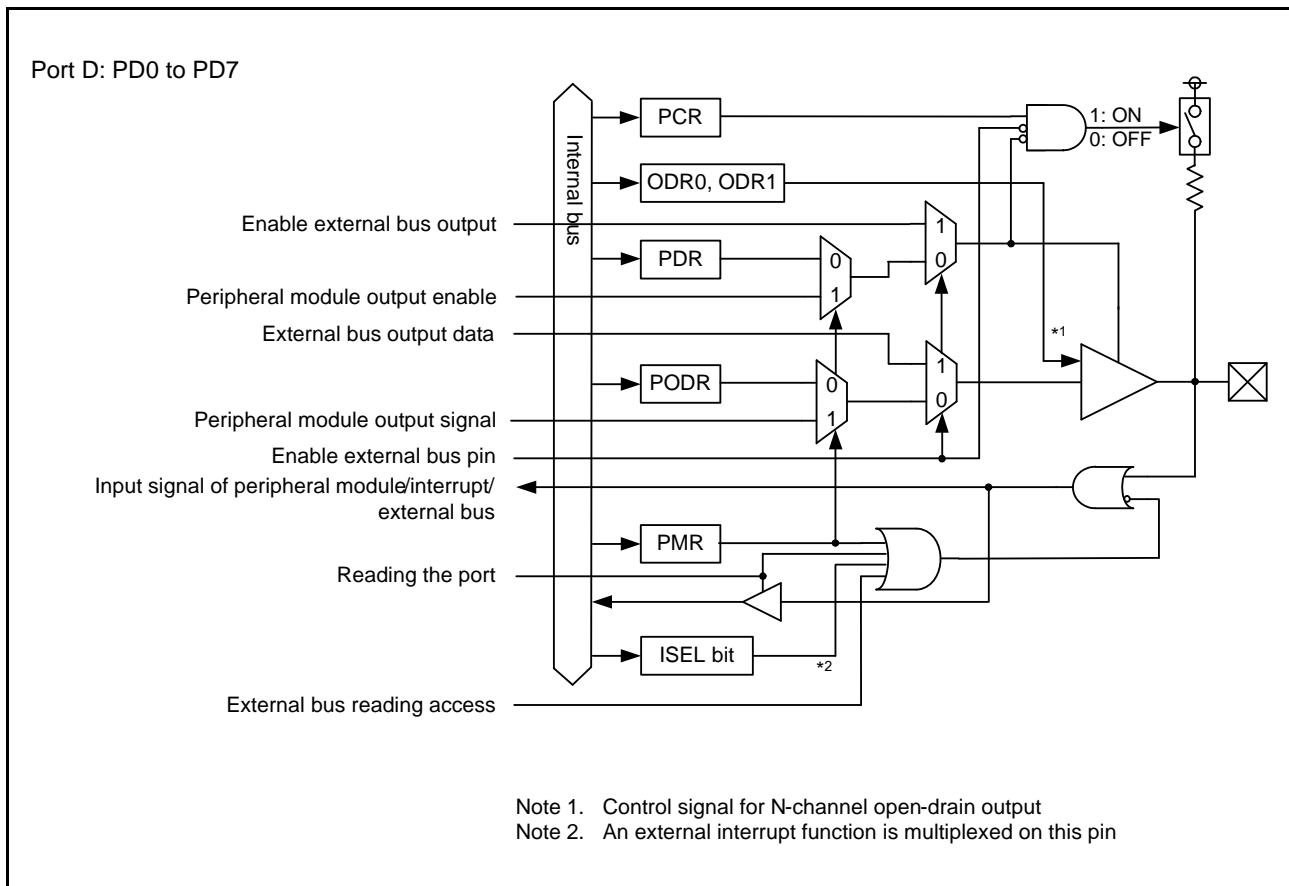


Figure 19.4 I/O Port Configuration (4)

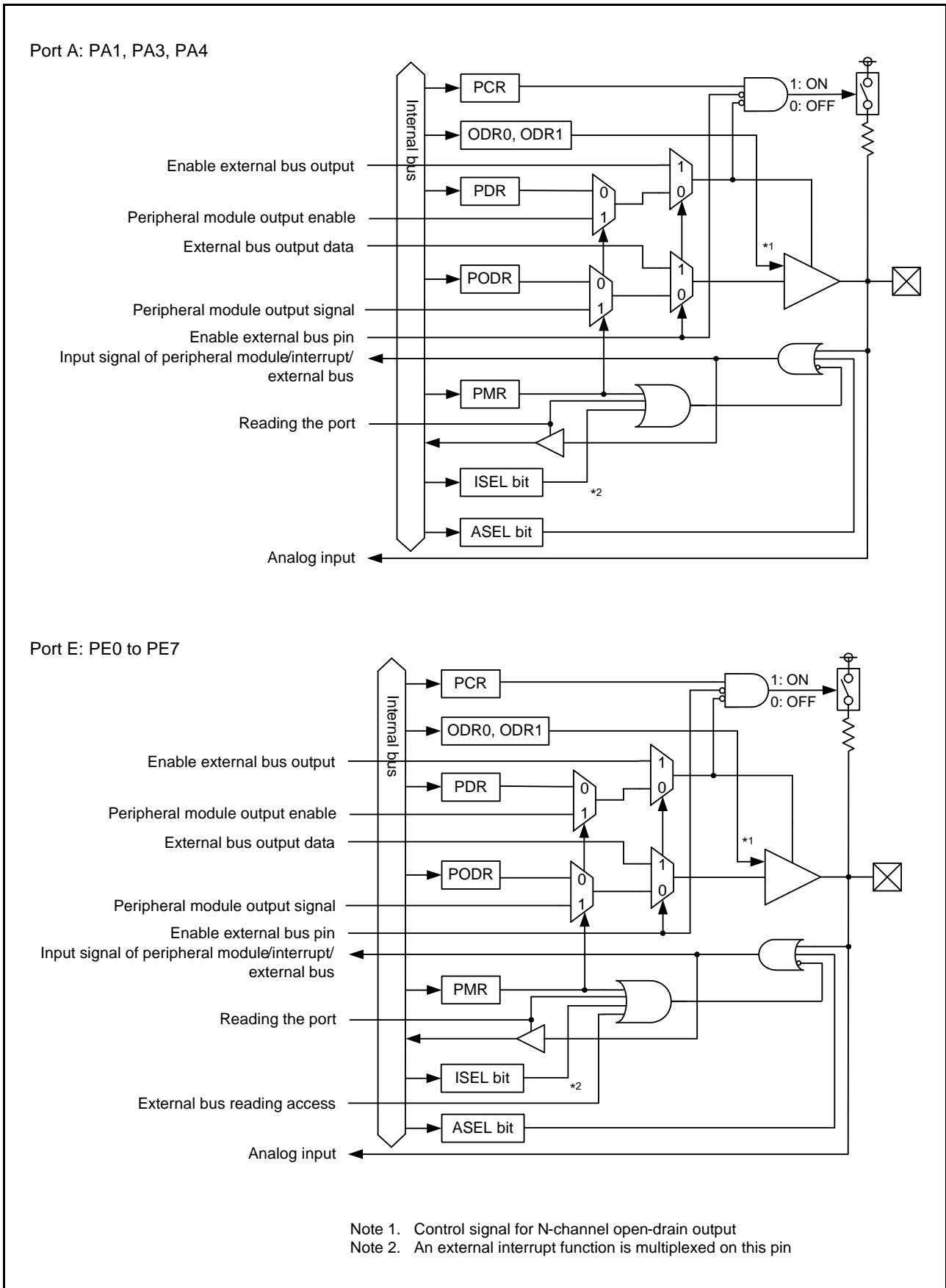


Figure 19.5 I/O Port Configuration (5)

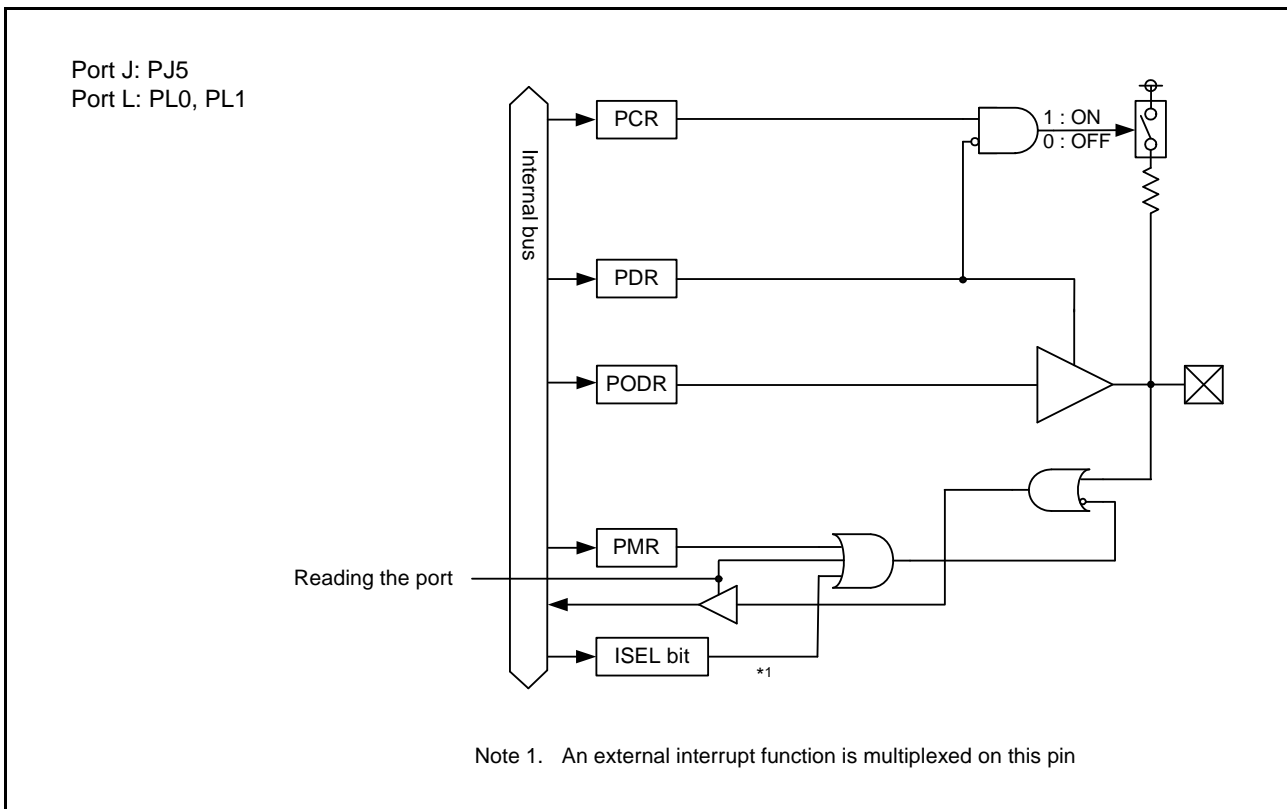


Figure 19.6 I/O Port Configuration (6)

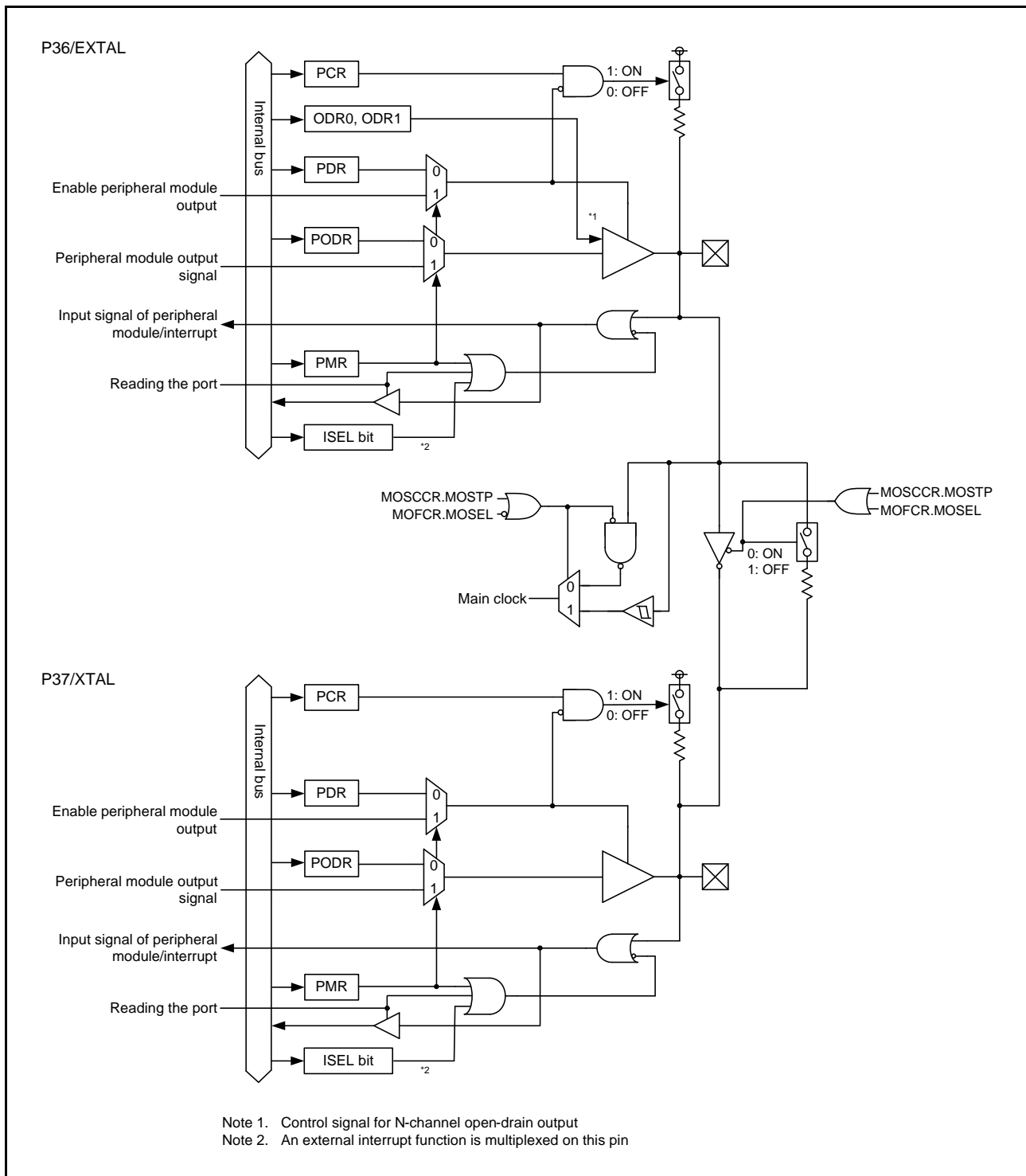


Figure 19.7 I/O Port Configuration (7)

19.3 Register Descriptions

19.3.1 Port Direction Register (PDR)

Address(es): PORT0.PDR 0008 C000h, PORT1.PDR 0008 C001h, PORT2.PDR 0008 C002h, PORT3.PDR 0008 C003h, PORT4.PDR 0008 C004h, PORT5.PDR 0008 C005h, PORT6.PDR 0008 C006h, PORT7.PDR 0008 C007h, PORT8.PDR 0008 C008h, PORT9.PDR 0008 C009h, PORTA.PDR 0008 C00Ah, PORTB.PDR 0008 C00Bh, PORTC.PDR 0008 C00Ch, PORTD.PDR 0008 C00Dh, PORTE.PDR 0008 C00Eh, PORTF.PDR 0008 C00Fh, PORTH.PDR 0008 C011h, PORTJ.PDR 0008 C012h, PORTK.PDR 0008 C013h, PORTL.PDR 0008 C014h

b7	b6	b5	b4	b3	b2	b1	b0
B7	B6	B5	B4	B3	B2	B1	B0

Value after reset: 0 0 0 0 0 0 0 0

Bit	Symbol	Bit Name	Description	R/W
b0	B0	Pm0 I/O Select	0: Input (Functions as an input pin.)	R/W
b1	B1	Pm1 I/O Select	1: Output (Functions as an output pin.)	R/W
b2	B2	Pm2 I/O Select		R/W
b3	B3	Pm3 I/O Select		R/W
b4	B4	Pm4 I/O Select		R/W
b5	B5	Pm5 I/O Select		R/W
b6	B6	Pm6 I/O Select		R/W
b7	B7	Pm7 I/O Select		R/W

m = 0 to 9, A to F, H, J to L

PDR is used to select the input or output direction for individual pins of the corresponding port m when the pins are configured as the general I/O pins.

Each bit of PORTm.PDR corresponds to each pin of port m; I/O direction can be specified in 1-bit units.

In products with 768 Kbytes or more of flash memory, bits corresponding to port m on the 145 and 144-pin products but which do not exist on a product with fewer than 144 pins are reserved. Write 1 (output) to these bits.

In products with 512 Kbytes or less of flash memory, bits corresponding to port m on the 100 pin-product but which do not exist on a product with fewer than 100 pins are reserved. Write 1 (output) to these bits.

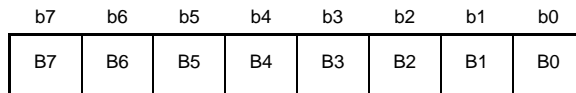
For software compatibility, in products with 512 Kbytes and less of flash memory, 1 (output) can be written to the bits corresponding to port m on the 145 and 144-pin products but which do not exist on a 100-pin product.

However, in products with 512 Kbytes or less of flash memory, note that the values of PORT6.PDR, PORT7.PDR, PORT8.PDR, PORT9.PDR, PORTF.PDR, PORTK.PDR, and PORTL.PDR are read as undefined.

The PORT3.PDR.B5 bit is reserved, because the P35 pin is input only. The bit corresponding to a pin that does not exist is also reserved. A reserved bit is read as 0. The write value should be 0.

19.3.2 Port Output Data Register (PODR)

Address(es): PORT0.PODR 0008 C020h, PORT1.PODR 0008 C021h, PORT2.PODR 0008 C022h, PORT3.PODR 0008 C023h, PORT4.PODR 0008 C024h, PORT5.PODR 0008 C025h, PORT6.PODR 0008 C026h, PORT7.PODR 0008 C027h, PORT8.PODR 0008 C028h, PORT9.PODR 0008 C029h, PORTA.PODR 0008 C02Ah, PORTB.PODR 0008 C02Bh, PORTC.PODR 0008 C02Ch, PORTD.PODR 0008 C02Dh, PORTE.PODR 0008 C02Eh, PORTF.PODR 0008 C02Fh, PORTH.PODR 0008 C031h, PORTJ.PODR 0008 C032h, PORTK.PODR 0008 C033h, PORTL.PODR 0008 C034h



Value after reset: 0 0 0 0 0 0 0 0

Bit	Symbol	Bit Name	Description	R/W
b0	B0	Pm0 Output Data Store	Holds output data.	R/W
b1	B1	Pm1 Output Data Store		R/W
b2	B2	Pm2 Output Data Store		R/W
b3	B3	Pm3 Output Data Store		R/W
b4	B4	Pm4 Output Data Store		R/W
b5	B5	Pm5 Output Data Store		R/W
b6	B6	Pm6 Output Data Store		R/W
b7	B7	Pm7 Output Data Store		R/W

m = 0 to 9, A to F, H, J to L

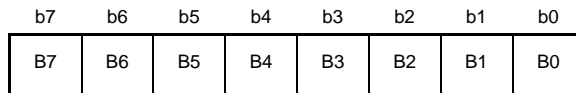
PODR holds the data to be output from the pins used for general output ports.

Bits corresponding to port m on the 145 and 144-pin products but which do not exist on a product with fewer than 144 pins are reserved. Write 0 to these bits.

The PORT3.PODR.B5 bit is reserved, because the P35 pin is input only. The bit corresponding to a pin that does not exist is reserved. A reserved bit is read as 0. The write value should be 0.

19.3.3 Port Input Data Register (PIDR)

Address(es): PORT0.PIDR 0008 C040h, PORT1.PIDR 0008 C041h, PORT2.PIDR 0008 C042h, PORT3.PIDR 0008 C043h, PORT4.PIDR 0008 C044h, PORT5.PIDR 0008 C045h, PORT6.PIDR 0008 C046h, PORT7.PIDR 0008 C047h, PORT8.PIDR 0008 C048h, PORT9.PIDR 0008 C049h, PORTA.PIDR 0008 C04Ah, PORTB.PIDR 0008 C04Bh, PORTC.PIDR 0008 C04Ch, PORTD.PIDR 0008 C04Dh, PORTE.PIDR 0008 C04Eh, PORTF.PIDR 0008 C04Fh, PORTH.PIDR 0008 C051h, PORTJ.PIDR 0008 C052h, PORTK.PIDR 0008 C053h, PORTL.PIDR 0008 C054h



Value after reset: x x x x x x x x

x: Undefined

Bit	Symbol	Bit Name	Description	R/W
b0	B0	Pm0	Indicates individual pin states of the corresponding port.	R
b1	B1	Pm1		R
b2	B2	Pm2		R
b3	B3	Pm3		R
b4	B4	Pm4		R
b5	B5	Pm5		R
b6	B6	Pm6		R
b7	B7	Pm7		R

m = 0 to 9, A to F, H, J to L

PIDR indicates individual pin states of port m.

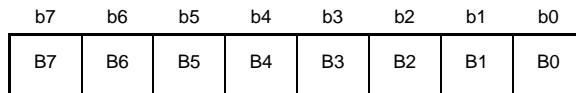
The pin states of port m can be read with the PORTm.PIDR, regardless of the values of PORTm.PDR and PORTm.PMR.

The NMI pin state is reflected in the P35 bit.

The bit corresponding to a pin that does not exist is reserved. A reserved bit is read as undefined, and cannot be modified.

19.3.4 Port Mode Register (PMR)

Address(es): PORT0.PMR 0008 C060h, PORT1.PMR 0008 C061h, PORT2.PMR 0008 C062h, PORT3.PMR 0008 C063h, PORT4.PMR 0008 C064h, PORT5.PMR 0008 C065h, PORT6.PMR 0008 C066h, PORT7.PMR 0008 C067h, PORT8.PMR 0008 C068h, PORT9.PMR 0008 C069h, PORTA.PMR 0008 C06Ah, PORTB.PMR 0008 C06Bh, PORTC.PMR 0008 C06Ch, PORTD.PMR 0008 C06Dh, PORTE.PMR 0008 C06Eh, PORTF.PMR 0008 C06Fh, PORTH.PMR 0008 C071h, PORTJ.PMR 0008 C072h, PORTK.PMR 0008 C073h, PORTL.PMR 0008 C074h



Value after reset: 0 0 0 0 0 0 0 0

Bit	Symbol	Bit Name	Description	R/W
b0	B0	Pm0 Pin Mode Control	0: Use pin as general I/O port. 1: Use pin as I/O port for peripheral functions.	R/W
b1	B1	Pm1 Pin Mode Control		R/W
b2	B2	Pm2 Pin Mode Control		R/W
b3	B3	Pm3 Pin Mode Control		R/W
b4	B4	Pm4 Pin Mode Control		R/W
b5	B5	Pm5 Pin Mode Control		R/W
b6	B6	Pm6 Pin Mode Control		R/W
b7	B7	Pm7 Pin Mode Control		R/W

m = 0 to 9, A to F, H, J to L

Each bit of PORTm.PMR corresponds to each pin of port m; pin function can be specified in 1-bit units.

Bits corresponding to port m on the 145 and 144-pin products but which do not exist on a product with fewer than 144 pins are reserved. Write 0 to these bits.

The bit corresponding to a pin that does not exist is reserved. A reserved bit is read as 0. The write value should be 0.

19.3.5 Open Drain Control Register 0 (ODR0)

Address(es): PORT0.ODR0 0008 C080h, PORT1.ODR0 0008 C082h, PORT2.ODR0 0008 C084h, PORT3.ODR0 0008 C086h, PORT6.ODR0 0008 C08Ch, PORT7.ODR0 0008 C08Eh, PORT8.ODR0 0008 C090h, PORT9.ODR0 0008 C092h, PORTA.ODR0 0008 C094h, PORTB.ODR0 0008 C096h, PORTC.ODR0 0008 C098h, PORTE.ODR0 0008 C09Ch, PORTK.ODR0 0008 C0A6h

b7	b6	b5	b4	b3	b2	b1	b0
B7	B6	B5	B4	B3	B2	B1	B0

Value after reset: 0 0 0 0 0 0 0 0

Bit	Symbol	Bit Name	Description	R/W
b0	B0	Pm0 Output Type Select	0: CMOS output 1: N-channel open-drain	R/W
b1	B1	Reserved	This bit is read as 0. The write value should be 0.	R/W
b2	B2	Pm1 Output Type Select	• P01, P21, P31, P51, P61, P81, P91, PA1, PB1, PC1 b2 0: CMOS output	R/W
b3	B3		1: N-channel open-drain b3 This bit is read as 0. The write value should be 0. • PE1 b3 b2 0 0: CMOS output 0 1: N-channel open-drain 1 0: P-channel open-drain 1 1: Hi-Z	R/W
b4	B4	Pm2 Output Type Select	0: CMOS output 1: N-channel open-drain	R/W
b5	B5	Reserved	This bit is read as 0. The write value should be 0.	R/W
b6	B6	Pm3 Output Type Select	0: CMOS output 1: N-channel open-drain	R/W
b7	B7	Reserved	This bit is read as 0. The write value should be 0.	R/W

m = 0 to 3, 6 to 9, A to C, E, K

Bits corresponding to port m on the 145 and 144-pin products but which do not exist on a product with fewer than 144 pins are reserved. Write 0 to these bits.

The bits corresponding to a pin that does not exist or pins with no open-drain output allocation are reserved. A reserved bit is read as 0. The write value should be 0.

19.3.6 Open Drain Control Register 1 (ODR1)

Address(es): PORT1.ODR1 0008 C083h, PORT2.ODR1 0008 C085h, PORT3.ODR1 0008 C087h, PORT7.ODR1 0008 C08Fh, PORTA.ODR1 0008 C095h, PORTB.ODR1 0008 C097h, PORTC.ODR1 0008 C099h, PORTE.ODR1 0008 C09Dh, PORTK.ODR1 0008 C0A7h

b7	b6	b5	b4	b3	b2	b1	b0
B7	B6	B5	B4	B3	B2	B1	B0

Value after reset: 0 0 0 0 0 0 0 0

Bit	Symbol	Bit Name	Description	R/W
b0	B0	Pm4 Output Type Select	0: CMOS output 1: N-channel open-drain	R/W
b1	B1	Reserved	This bit is read as 0. The write value should be 0.	R/W
b2	B2	Pm5 Output Type Select	0: CMOS output 1: N-channel open-drain	R/W
b3	B3	Reserved	This bit is read as 0. The write value should be 0.	R/W
b4	B4	Pm6 Output Type Select	0: CMOS output 1: N-channel open-drain	R/W
b5	B5	Reserved	This bit is read as 0. The write value should be 0.	R/W
b6	B6	Pm7 Output Type Select	0: CMOS output 1: N-channel open-drain	R/W
b7	B7	Reserved	This bit is read as 0. The write value should be 0.	R/W

m = 1 to 3, 7, A to C, E, K

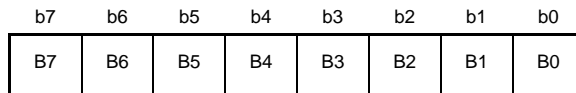
Bits corresponding to port m on the 145 and 144-pin products but which do not exist on a product with fewer than 144 pins are reserved. Write 0 to these bits.

The PORT3.ODR1.B2 bit is reserved, because the P35 pin is input only.

The bits corresponding to a pin that does not exist or pins with no open-drain output allocation are reserved. A reserved bit is read as 0. The write value should be 0.

19.3.7 Pull-Up Control Register (PCR)

Address(es): PORT0.PCR 0008 C0C0h, PORT1.PCR 0008 C0C1h, PORT2.PCR 0008 C0C2h, PORT3.PCR 0008 C0C3h, PORT4.PCR 0008 C0C4h, PORT5.PCR 0008 C0C5h, PORT6.PCR 0008 C0C6h, PORT7.PCR 0008 C0C7h, PORT8.PCR 0008 C0C8h, PORT9.PCR 0008 C0C9h, PORTA.PCR 0008 C0CAh, PORTB.PCR 0008 C0CBh, PORTC.PCR 0008 C0CCh, PORTD.PCR 0008 C0CDh, PORTE.PCR 0008 C0CEh, PORTF.PCR 0008 C0CFh, PORTH.PCR 0008 C0D1h, PORTJ.PCR 0008 C0D2h, PORTK.PCR 0008 C0D3h, PORTL.PCR 0008 C0D4h



Value after reset: 0 0 0 0 0 0 0 0

Bit	Symbol	Bit Name	Description	R/W
b0	B0	Pm0 Input Pull-Up Resistor Control	0: Disables an input pull-up resistor.	R/W
b1	B1	Pm1 Input Pull-Up Resistor Control	1: Enables an input pull-up resistor.	R/W
b2	B2	Pm2 Input Pull-Up Resistor Control		R/W
b3	B3	Pm3 Input Pull-Up Resistor Control		R/W
b4	B4	Pm4 Input Pull-Up Resistor Control		R/W
b5	B5	Pm5 Input Pull-Up Resistor Control		R/W
b6	B6	Pm6 Input Pull-Up Resistor Control		R/W
b7	B7	Pm7 Input Pull-Up Resistor Control		R/W

m = 0 to 9, A to F, H, J to L

While a pin is in the input state with the corresponding bit in PORTm.PCR set to 1, the pull-up resistor connected to the pin is enabled.

PCR retains pull-up state even when a transition to deep software standby mode is made.

When a pin is used as an external bus pin other than the WAIT# pin, a general port output pin, or a peripheral function output pin, the pull-up resistor for the pin is disabled regardless of the settings of the PCR register.

The pull-up resistor is also disabled in the reset state.

The B5 bit in PORT3.PCR is reserved. The bit corresponding to a pin that does not exist is also reserved. A reserved bit is read as 0. The write value should be 0.

19.3.8 Drive Capacity Control Register (DSCR)

Address(es): PORT0.DSCR 0008 C0E0h, PORT1.DSCR 0008 C0E1h, PORT2.DSCR 0008 C0E2h, PORT3.DSCR 0008 C0E3h, PORT5.DSCR 0008 C0E5h, PORT6.DSCR 0008 C0E6h, PORT7.DSCR 0008 C0E7h, PORT8.DSCR 0008 C0E8h, PORT9.DSCR 0008 C0E9h, PORTA.DSCR 0008 C0EAh, PORTB.DSCR 0008 C0EBh, PORTC.DSCR 0008 C0ECh, PORTD.DSCR 0008 C0EDh, PORTE.DSCR 0008 C0EEh, PORTH.DSCR 0008 C0F1h, PORTJ.DSCR 0008 C0F2h, PORTK.DSCR 0008 C0F3h

b7	b6	b5	b4	b3	b2	b1	b0
B7	B6	B5	B4	B3	B2	B1	B0

Value after reset: 0 0 0 0 0 0 0 0

Bit	Symbol	Bit Name	Description	R/W
b0	B0	Pm0 Drive Capacity Control	0: Normal drive output 1: High-drive output	R/W
b1	B1	Pm1 Drive Capacity Control		R/W
b2	B2	Pm2 Drive Capacity Control		R/W
b3	B3	Pm3 Drive Capacity Control		R/W
b4	B4	Pm4 Drive Capacity Control		R/W
b5	B5	Pm5 Drive Capacity Control		R/W
b6	B6	Pm6 Drive Capacity Control		R/W
b7	B7	Pm7 Drive Capacity Control		R/W

m = 0 to 3, 5 to 9, A to E, H, J, K

The bit corresponding to a pin with the fixed drive capacity can be read from or written to. However, the drive capacity cannot be changed.

When a transition to deep software standby mode is made, all bits are set to normal drive output. They are also set to normal drive output after canceling the mode.

When high-drive output is selected, switching noise increases compared to when normal output is selected. Carefully evaluate the effect of noise on the MCU caused by adjacent pins before selecting high-drive output.

The bit corresponding to a pin that does not exist is reserved. A reserved bit is read as 0. The write value should be 0.

19.4 Unused Pin Configuration

The configuration of unused pins is listed in Table 19.4.

Table 19.4 Unused Pin Configuration

Pin Name	Description
MD	(Always used as mode pins)
RES#	Connect this pin to VCC via a pull-up resistor.
P35/NMI	Connect this pin to VCC via a pull-up resistor.
P36/EXTAL	When the main clock is not used, set the MOSCCR.MOSTP bit to 1 (general port P36). When this pin is not used as port P36 either, it is configured in the same way as port 0 to 9.
P37/XTAL	When the main clock is not used, set the MOSCCR.MOSTP bit to 1 (general port P37). When this pin is not used as port P37 either, it is configured in the same way as port 0 to 9. When the external clock is input to the EXTAL pin, leave this pin open.
XCIN	Connect this pin to VSS via a pull-down resistor.
XCOU	Leave this pin open.
Ports 0 to 9 Ports A to F, H, J to L	<ul style="list-style-type: none"> • If the direction setting is for input (PORTn.PDR = 0), the corresponding pin is connected to VCC (pulled up) via a resistor or to VSS (pulled down) via a resistor.*1 • If the direction setting is for output (PORTn.PDR = 1), the pin is released.*1, *2
VREFH0	Connect this pin to VCC.
VREFL0	Connect this pin to VSS.
VREFH	Connect this pin to VCC.
VREFL	Connect this pin to VSS.

Note 1. Clear the PORTn.PMR bit, the PmnPFS.ISEL bit and the PmnPFS.ASEL bit to 0.

Note 2. In the case of release when the setting is for output, the port is an input over the period from release from the reset state to the pin becoming an output. Since the voltage on the pin is undefined while it is an input, this may lead to an increase in the current drawn.

20. Multi-Function Pin Controller (MPC)

20.1 Overview

The multi-function pin controller (MPC) is used to allocate input and output signals for peripheral modules and input interrupt signals to pins from among multiple ports. It is also used to allocate external-bus related signals to port pins. Table 20.1 shows the allocation of pin functions to multiple pins. The symbols ○ and × in the table indicate whether the pins are or are not present on the given package. Allocating the same function to more than one pin is prohibited.

Table 20.1 Allocation of Pin Functions to Multiple Pins (1 / 11)

Module/Function	Channel	Pin Functions	Allocation Port	Package				
				145-pin, 144-pin	100-pin	80-pin	69-pin, 64-pin	48-pin
Interrupt		NMI (input)	P35	○	○	○	○	○
Interrupt	IRQ0	IRQ0-DS (input)	P30	○	○	○	○	○
		IRQ0 (input)	PD0	○	○	○	×	×
			PH1	○	○	○	○	○
	IRQ1	IRQ1-DS (input)	P31	○	○	○	○	○
		IRQ1 (input)	PD1	○	○	○	×	×
			PH2	○	○	○	○	○
	IRQ2	IRQ2-DS (input)	P32	○	○	○	○	×
		IRQ2 (input)	P12	○	○	○	×	×
			PD2	○	○	○	×	×
	IRQ3	IRQ3-DS (input)	P33	○	○	×	×	×
		IRQ3 (input)	P13	○	○	○	×	×
			PD3	○	○	×	×	×
	IRQ4	IRQ4-DS (input)	PB1	○	○	○	○	○
		IRQ4 (input)	P14	○	○	○	○	○
			P34	○	○	○	×	×
			PD4	○	○	×	×	×
			PF5	○	×	×	×	×
	IRQ5	IRQ5-DS (input)	PA4	○	○	○	○	○
		IRQ5 (input)	P15	○	○	○	○	○
			PD5	○	○	×	×	×
			PE5	○	○	○	○	×
	IRQ6	IRQ6-DS (input)	PA3	○	○	○	○	○
		IRQ6 (input)	P16	○	○	○	○	○
			PD6	○	○	×	×	×
			PE6	○	○	×	×	×
	IRQ7	IRQ7-DS (input)	PE2	○	○	○	○	○
		IRQ7 (input)	P17	○	○	○	○	○
			PD7	○	○	×	×	×
			PE7	○	○	×	×	×

Table 20.1 Allocation of Pin Functions to Multiple Pins (2 / 11)

Module/Function	Channel	Pin Functions	Allocation Port	Package				
				145-pin, 144-pin	100-pin	80-pin	69-pin, 64-pin	48-pin
Multi-function timer unit 2	MTU0	MTIOC0A (input/output)	P34	○	○	○	×	×
			PB3	○	○	○	○	○
		MTIOC0B (input/output)	P13	○	○	○	×	×
			P15	○	○	○	○	○
			PA1	○	○	○	○	○
		MTIOC0C (input/output)	P32	○	○	○	○	×
	PB1		○	○	○	○	○	
	MTIOC0D (input/output)	P33	○	○	×	×	×	
		PA3	○	○	○	○	○	
	MTU1	MTIOC1A (input/output)	P20	○	○	○	×	×
			PE4	○	○	○	○	○
		MTIOC1B (input/output)	P21	○	○	○	×	×
PB5			○	○	○	○	○	
MTU2	MTIOC2A (input/output)	P26	○	○	○	○	○	
		PB5	○	○	○	○	○	
	MTIOC2B (input/output)	P27	○	○	○	○	○	
		PE5	○	○	○	○	×	
MTU3	MTIOC3A (input/output)	P14	○	○	○	○	○	
		P17	○	○	○	○	○	
		PC1	○	○	×	×	×	
		PC7	○	○	○	○	○	
		PJ1	○	○	○	×	×	
		MTIOC3B (input/output)	P17	○	○	○	○	○
	P22		○	○	×	×	×	
	P80		○	×	×	×	×	
	PB7		○	○	○	○	×	
	PC5		○	○	○	○	○	
	MTIOC3C (input/output)	P16	○	○	○	○	○	
		P56	○	×	×	×	×	
		PC0	○	○	×	×	×	
		PC6	○	○	○	○	○	
		PJ3	○	○	×	×	×	
	MTIOC3D (input/output)	P16	○	○	○	○	○	
		P23	○	○	×	×	×	
		P81	○	×	×	×	×	
PB6		○	○	○	○	×		
PC4		○	○	○	○	○		

Table 20.1 Allocation of Pin Functions to Multiple Pins (3 / 11)

Module/Function	Channel	Pin Functions	Allocation Port	Package				
				145-pin, 144-pin	100-pin	80-pin	69-pin, 64-pin	48-pin
Multi-function timer unit 2	MTU4	MTIOC4A (input/output)	P24	○	○	×	×	×
			P82	○	×	×	×	×
			PA0	○	○	○	○	×
			PB3	○	○	○	○	○
			PE2	○	○	○	○	○
	MTIOC4B (input/output)	P30	○	○	○	○	○	
		P54	○	○	○	○	×	
		PC2	○	○	○	○	×	
		PD1	○	○	○	×	×	
		PE3	○	○	○	○	○	
	MTIOC4C (input/output)	P25	○	○	×	×	×	
		P83	○	×	×	×	×	
		PB1	○	○	○	○	○	
		PE1	○	○	○	○	○	
		PE5	○	○	○	○	×	
	MTIOC4D (input/output)	P31	○	○	○	○	○	
		P55	○	○	○	○	×	
		PC3	○	○	○	○	○	
		PD2	○	○	○	×	×	
		PE4	○	○	○	○	○	
MTU5	MTIC5U (input)	PA4	○	○	○	○	○	
		PD7	○	○	×	×	×	
	MTIC5V (input)	PA6	○	○	○	○	○	
		PD6	○	○	×	×	×	
MTIC5W (input)	PB0	○	○	○	○	○		
	PD5	○	○	×	×	×		
MTU	MTCLKA (input)	P14	○	○	○	○	○	
		P24	○	○	×	×	×	
		PA4	○	○	○	○	○	
		PC6	○	○	○	○	○	
	MTCLKB (input)	P15	○	○	○	○	○	
		P25	○	○	×	×	×	
		PA6	○	○	○	○	○	
		PC7	○	○	○	○	○	
	MTCLKC (input)	P22	○	○	×	×	×	
		PA1	○	○	○	○	○	
		PC4	○	○	○	○	○	
	MTCLKD (input)	P23	○	○	×	×	×	
PA3		○	○	○	○	○		
PC5		○	○	○	○	○		
PD6		○	○	×	×	×		
Port output enable 2	POE0	POE0# (input)	PC4	○	○	○	○	○
			PD7	○	○	×	×	×
POE1	POE1# (input)	PB5	○	○	○	○	○	
		PD6	○	○	×	×	×	

Table 20.1 Allocation of Pin Functions to Multiple Pins (4 / 11)

Module/Function	Channel	Pin Functions	Allocation Port	Package					
				145-pin, 144-pin	100-pin	80-pin	69-pin, 64-pin	48-pin	
Port output enable 2	POE2	POE2# (input)	P34	○	○	○	×	×	
			PA6	○	○	○	○	○	
			PD5	○	○	×	×	×	
	POE3	POE3# (input)	P33	○	○	×	×	×	
			PB3	○	○	○	○	○	
			PD4	○	○	×	×	×	
	POE8	POE8# (input)	P17	○	○	○	○	○	
			P30	○	○	○	○	○	
			PD3	○	○	×	×	×	
			PE3	○	○	○	○	○	
	16-bit timer pulse unit	TPU0	TIOCA0 (input/output)	P86	○	×	×	×	×
				PA0	○	×	×	×	×
TIOCB0 (input/output)			P17	○	×	×	×	×	
			PA1	○	×	×	×	×	
TIOCC0 (input/output)			P32	○	×	×	×	×	
TIOCD0 (input/output)			P33	○	×	×	×	×	
		PA3	○	×	×	×	×		
TPU1		TIOCA1 (input/output)	P56	○	×	×	×	×	
			PA4	○	×	×	×	×	
		TIOCB1 (input/output)	P16	○	×	×	×	×	
PA5			○	×	×	×	×		
TPU2		TIOCA2 (input/output)	P87	○	×	×	×	×	
			PA6	○	×	×	×	×	
		TIOCB2 (input/output)	P15	○	×	×	×	×	
PA7			○	×	×	×	×		
TPU3		TIOCA3 (input/output)	P21	○	×	×	×	×	
			PB0	○	×	×	×	×	
		TIOCB3 (input/output)	P20	○	×	×	×	×	
			PB1	○	×	×	×	×	
		TIOCC3 (input/output)	P22	○	×	×	×	×	
			PB2	○	×	×	×	×	
TIOCD3 (input/output)		P23	○	×	×	×	×		
TPU4		TIOCA4 (input/output)	P25	○	×	×	×	×	
			PB4	○	×	×	×	×	
		TIOCB4 (input/output)	P24	○	×	×	×	×	
			PB5	○	×	×	×	×	
			PB3	○	×	×	×	×	
TPU5		TIOCA5 (input/output)	P13	○	×	×	×	×	
			PB6	○	×	×	×	×	
		TIOCB5 (input/output)	P14	○	×	×	×	×	
			PB7	○	×	×	×	×	

Table 20.1 Allocation of Pin Functions to Multiple Pins (5 / 11)

Module/Function	Channel	Pin Functions	Allocation Port	Package					
				145-pin, 144-pin	100-pin	80-pin	69-pin, 64-pin	48-pin	
16-bit timer pulse unit	TPU	TCLKA (input)	P14	○	×	×	×	×	
			PC2	○	×	×	×	×	
			PC3	○	×	×	×	×	
		TCLKB (input)	P15	○	×	×	×	×	
			PA3	○	×	×	×	×	
			PC3	○	×	×	×	×	
		TCLKC (input)	P16	○	×	×	×	×	
			PB2	○	×	×	×	×	
			PC0	○	×	×	×	×	
		TCLKD (input)	P17	○	×	×	×	×	
			PB3	○	×	×	×	×	
			PC1	○	×	×	×	×	
8-bit timer	TMR0	TMO0 (output)	P22	○	○	×	×	×	
			PB3	○	○	○	○	○	
			PH1	○	○	○	○	○	
		TMC10 (input)	P01	○	×	×	×	×	
			P21	○	○	○	×	×	
			PB1	○	○	○	○	○	
		PH3	○	○	○	○	○		
			TMR10 (input)	P00	○	×	×	×	×
				P20	○	○	○	×	×
		PA4		○	○	○	○	○	
		PH2	○	○	○	○	○		
			TMR1	TMO1 (output)	P17	○	○	○	○
	P26				○	○	○	○	○
	TMC11 (input)	P02	○	×	×	×	×		
		P12	○	○	○	×	×		
		P54	○	○	○	○	×		
	PC4	○	○	○	○	○			
		TMR11 (input)	TMR11 (input)	P24	○	○	×	×	×
PB5				○	○	○	○	○	
TMR2	TMO2 (output)	TMO2 (output)	P16	○	○	○	○	○	
			PC7	○	○	○	○	○	
	TMC12 (input)	TMC12 (input)	P15	○	○	○	○	○	
			P31	○	○	○	○	○	
			PC6	○	○	○	○	○	
	TMR12 (input)	TMR12 (input)	P14	○	○	○	○	○	
PC5			○	○	○	○	○		

Table 20.1 Allocation of Pin Functions to Multiple Pins (6 / 11)

Module/Function	Channel	Pin Functions	Allocation Port	Package				
				145-pin, 144-pin	100-pin	80-pin	69-pin, 64-pin	48-pin
8-bit timer	TMR3	TMO3 (output)	P13	○	○	○	×	×
			P32	○	○	○	○	×
			P55	○	○	○	○	×
	TMC13 (input)	P27	○	○	○	○	○	
		P34	○	○	○	×	×	
		PA6	○	○	○	○	○	
	TMR13 (input)	P30	○	○	○	○	○	
P33		○	○	×	×	×		
Serial communications interface	SCI0	RXD0 (input)/ SMISO0 (input/output)/ SSCL0 (input/output)	P21	○	○	○	×	×
			P33	○	×	×	×	×
		TXD0 (output)/ SMOSI0 (input/output)/ SSDA0 (input/output)	P20	○	○	○	×	×
			P32	○	×	×	×	×
		SCK0 (input/output)	P22	○	○	×	×	×
			P34	○	×	×	×	×
	CTS0# (input)/ RTS0# (output)/ SS0# (input)	P23	○	○	×	×	×	
		PJ3	○	×	×	×	×	
	SCI1	RXD1 (input)/ SMISO1 (input/output)/ SSCL1 (input/output)	P15	○	○	○	○	○
			P30	○	○	○	○	○
		TXD1 (output)/ SMOSI1 (input/output)/ SSDA1 (input/output)	P16	○	○	○	○	○
			P26	○	○	○	○	○
		SCK1 (input/output)	P17	○	○	○	○	○
			P27	○	○	○	○	○
CTS1# (input)/ RTS1# (output)/ SS1# (input)	P14	○	○	○	○	○		
	P31	○	○	○	○	○		
SCI2	RXD2 (input)/ SMISO2 (input/output)/ SSCL2 (input/output)	P12	○	×	×	×	×	
		P52	○	×	×	×	×	
	TXD2 (output)/ SMOSI2 (input/output)/ SSDA2 (input/output)	P13	○	×	×	×	×	
		P50	○	×	×	×	×	
	SCK2 (input/output)	P51	○	×	×	×	×	
	CTS2# (input)/ RTS2# (output)/ SS2# (input)	P54	○	×	×	×	×	

Table 20.1 Allocation of Pin Functions to Multiple Pins (7 / 11)

Module/Function	Channel	Pin Functions	Allocation Port	Package				
				145-pin, 144-pin	100-pin	80-pin	69-pin, 64-pin	48-pin
Serial communications interface	SCI3	RXD3 (input)/ SMISO3 (input/output)/ SSCL3 (input/output)	P16	○	×	×	×	×
			P25	○	×	×	×	×
		TXD3 (output)/ SMOSI3 (input/output)/ SSDA3 (input/output)	P17	○	×	×	×	×
			P23	○	×	×	×	×
		SCK3 (input/output)	P15	○	×	×	×	×
			P24	○	×	×	×	×
		CTS3# (input)/ RTS3# (output)/ SS3# (input)	P26	○	×	×	×	×
	SCI4	RXD4 (input)/ SMISO4 (input/output)/ SSCL4 (input/output)	PB0	○	×	×	×	×
			PK4	○	×	×	×	×
		TXD4 (output)/ SMOSI4 (input/output)/ SSDA4 (input/output)	PB1	○	×	×	×	×
			PK5	○	×	×	×	×
		SCK4 (input/output)	P70	○	×	×	×	×
			PB3	○	×	×	×	×
		CTS4# (input)/ RTS4# (output)/ SS4# (input)	PB2	○	×	×	×	×
	PE6	○	×	×	×	×		
	SCI5	RXD5 (input)/ SMISO5 (input/output)/ SSCL5 (input/output)	PA2	○	○	○	×	×
			PA3	○	○	○	○	○
			PC2	○	○	○	○	×
		TXD5 (output)/ SMOSI5 (input/output)/ SSDA5 (input/output)	PA4	○	○	○	○	○
			PC3	○	○	○	○	×
		SCK5 (input/output)	PA1	○	○	○	○	○
PC1			○	○	×	×	×	
PC4			○	○	○	○	○	
CTS5# (input)/ RTS5# (output)/ SS5# (input)		PA6	○	○	○	○	○	
		PC0	○	○	×	×	×	

Table 20.1 Allocation of Pin Functions to Multiple Pins (8 / 11)

Module/Function	Channel	Pin Functions	Allocation Port	Package				
				145-pin, 144-pin	100-pin	80-pin	69-pin, 64-pin	48-pin
Serial communications interface	SCI6	RXD6 (input)/ SMISO6 (input/output)/ SSCL6 (input/output)	P01	○	×	×	×	×
			P33	○	○	×	×	×
			PB0	○	○	○	○	○
		TXD6 (output)/ SMOSI6 (input/output)/ SSDA6 (input/output)	P00	○	×	×	×	×
			P32	○	○	○	○	×
			PB1	○	○	○	○	○
		SCK6 (input/output)	P02	○	×	×	×	×
			P34	○	○	○	×	×
			PB3	○	○	○	○	○
		CTS6# (input)/ RTS6# (output)/ SS6# (input)	PB2	○	○	○	×	×
			PJ3	○	○	×	×	×
		SCI7	RXD7 (input)/ SMISO7 (input/output)/ SSCL7 (input/output)	P92	○	×	×	×
	P90			○	×	×	×	×
	P91			○	×	×	×	×
	P93			○	×	×	×	×
	SCI8	RXD8 (input)/ SMISO8 (input/output)/ SSCL8 (input/output)	PC6	○	○	○	○	○
			PC7	○	○	○	○	○
			PC5	○	○	○	○	○
			PC4	○	○	○	○	○
	SCI9	RXD9 (input)/ SMISO9 (input/output)/ SSCL9 (input/output)	PB6	○	○	○	○	×
			PK3	○	×	×	×	×
TXD9 (output)/ SMOSI9 (input/output)/ SSDA9 (input/output)		PB7	○	○	○	○	×	
		PK2	○	×	×	×	×	
SCK9 (input/output)		P60	○	×	×	×	×	
		PB5	○	○	○	○	×	
CTS9# (input)/ RTS9# (output)/ SS9# (input)		P61	○	×	×	×	×	
	PB4	○	○	○	×	×		

Table 20.1 Allocation of Pin Functions to Multiple Pins (9 / 11)

Module/Function	Channel	Pin Functions	Allocation Port	Package				
				145-pin, 144-pin	100-pin	80-pin	69-pin, 64-pin	48-pin
Serial communications interface	SCI10	RXD10 (input)/ SMISO10 (input/output)/ SSCL10 (input/output)	P81	○	×	×	×	×
		TXD10 (output)/ SMOSI10 (input/output)/ SSDA10 (input/output)0	P82	○	×	×	×	×
		SCK10 (input/output)	P80	○	×	×	×	×
		CTS10# (input)/ RTS10# (output)/ SS10# (input)	P83	○	×	×	×	×
	SCI11	RXD11 (input)/ SMISO11 (input/output)/ SSCL11 (input/output)	P76	○	×	×	×	×
		TXD11 (output)/ SMOSI11 (input/output)/ SSDA11 (input/output)0	P77	○	×	×	×	×
		SCK11 (input/output)	P75	○	×	×	×	×
		CTS11# (input)/ RTS11# (output)/ SS11# (input)	P74	○	×	×	×	×
	SCI12	RXD12 (input)/ SMISO12 (input/output)/ SSCL12 (input/output)/ RXDX12 (input)	PE2	○	○	○	○	○ (SMISO12 function is not available)
		TXD12 (output)/ SMOSI12 (input/output)/ SSDA12 (input/output)/ TXDX12 (output)/ SIOX12 (input/output)	PE1	○	○	○	○	○ (SMOSI12 function is not available)
		SCK12 (input/output)	PE0	○	○	○	○	×
		CTS12# (input)/ RTS12# (output)/ SS12# (input)	PE3	○	○	○	○	○ (SS12# function is not available)
I ² C bus interface	RIIC0	SCL-DS (input/output)	P16	○	○	○	○	○
		SCL (input/output)	P12	○	○	○	×	×
		SDA-DS (input/output)	P17	○	○	○	○	○
		SDA (input/output)	P13	○	○	○	×	×

Table 20.1 Allocation of Pin Functions to Multiple Pins (10 / 11)

Module/Function	Channel	Pin Functions	Allocation Port	Package						
				145-pin, 144-pin	100-pin	80-pin	69-pin, 64-pin	48-pin		
Serial peripheral interface	RSPIO	RSPCKA (input/output)	PA5	○	○	○	×	×		
			PB0	○	○	○	○	○		
			PC5	○	○	○	○	○		
		MOSIA (input/output)	P16	○	○	○	○	○		
			PA6	○	○	○	○	○		
			PC6	○	○	○	○	○		
		MISOA (input/output)	P17	○	○	○	○	○		
			PA7	○	○	×	×	×		
			PC7	○	○	○	○	○		
	SSLA0 (input/output)	PA4	PA4	○	○	○	○	○		
			PC4	○	○	○	○	○		
	SSLA1 (output)	PA0	PA0	○	○	○	○	×		
			PC0	○	○	×	×	×		
	SSLA2 (output)	PA1	PA1	○	○	○	○	○		
			PC1	○	○	×	×	×		
	SSLA3 (output)	PA2	PA2	○	○	○	×	×		
			PC2	○	○	○	○	×		
	Realtime clock	RTCOUT (output)	P16	P16	○	○	○	○	×	
P32				○	○	○	○	×		
RTCIC0 (input)*1		P30	○	○	○	○	×			
RTCIC1 (input)*1		P31	○	○	○	○	×			
RTCIC2 (input)*1		P32	○	○	○	○	×			
12-bit A/D converter	AN000 (input)*1	P40	AN000	○	○	○	○	○		
			AN001	○	○	○	○	○		
			AN002	○	○	○	○	○		
			AN003	○	○	○	○	×		
			AN004	○	○	○	○	×		
12-bit A/D converter	AN005 (input)*1	P45	AN005	○	○	○	×	×		
			AN006	○	○	○	○	○		
			AN007	○	○	○	×	×		
			AN008	○	○	○	○	×		
			AN009	○	○	○	○	○		
			AN010	○	○	○	○	○		
			AN011	○	○	○	○	○		
			AN012	○	○	○	○	○		
			AN013	○	○	○	○	×		
			AN014	○	○	×	×	×		
			AN015	○	○	×	×	×		
			ADTRG0# (input)	P07	P07	○	○	○	×	×
					P16	○	○	○	○	○
					P25	○	○	×	×	×
			D/A converter	DA0 (output)*1	P03	DA0	○	○	○	○
DA1	○	○				○	○	×		

Table 20.1 Allocation of Pin Functions to Multiple Pins (11 / 11)

Module/Function	Channel	Pin Functions	Allocation Port	Package					
				145-pin, 144-pin	100-pin	80-pin	69-pin, 64-pin	48-pin	
Clock frequency accuracy measurement circuit		CACREF (input)	PA0	○	○	○	○	×	
			PC7	○	○	○	○	○	
			PH0	○	○	○	○	○	
Comparator A		CMPA1 (input)*1	PE3	○	○	○	○	○	
		CMPA2 (input)*1	PE4	○	○	○	○	○	
		CVREFA (input)*1	PA1	○	○	○	○	○	
Comparator B		CMPB0 (input)*1	PE1	○	○	○	○	○	
		CVREFB0 (input)*1	PE2	○	○	○	○	○	
		CMPB1 (input)*1	PA3	○	○	○	○	○	
		CVREFB1 (input)*1	PA4	○	○	○	○	○	
External bus*2	CS0# (output)		P24	○	○	×	×	×	
			PC7	○	○	×	×	×	
	CS1# (output)		P25	○	○	×	×	×	
			PC6	○	○	×	×	×	
	CS2# (output)		P26	○	○	×	×	×	
			PC5	○	○	×	×	×	
	CS3# (output)		P27	○	○	×	×	×	
			PC4	○	○	×	×	×	
	A0 to A7 (output)		PA0 to PA7	○	○	×	×	×	
	A8 to A15 (output)		PB0 to PB7	○	○	×	×	×	
	A16 to A23 (output)		PC0 to PC7	○	○	×	×	×	
	D0 to D7 (input/output)		PD0 to PD7	○	○	×	×	×	
	D8 to D15 (input/output)		PE0 to PE7	○	○	×	×	×	
	BCLK (output)		P53	○	○	×	×	×	
	RD# (output)		P52	○	○	×	×	×	
	WR# (output)		P50	○	○	×	×	×	
	WR0# (output)		P50	○	○	×	×	×	
	WR1# (output)		P51	○	○	×	×	×	
	External bus*2		BC0# (output)	PA0	○	○	×	×	×
			BC1# (output)	P51	○	○	×	×	×
WAIT# (input)			P51	○	○	×	×	×	
			P55	○	○	×	×	×	
ALE (output)				P54	○	○	×	×	×

Note 1. Select general input (by setting the Bm bits for the given pin in the PDR and PMR for the given port to 0) for the pin if this pin function is to be used.

Note 2. Regarding setting for the external bus, refer to section 20.3, Settings for the External Bus Interface.

20.2 Register Descriptions

Registers and bits for pins that are not present due to differences according to the package are reserved. Write the value after a reset when writing to such bits.

20.2.1 Write-Protect Register (PWPR)

Address(es): 0008 C11Fh

b7	b6	b5	b4	b3	b2	b1	b0
B0WI	PFSWE	—	—	—	—	—	—

Value after reset: 1 0 0 0 0 0 0 0

Bit	Symbol	Bit Name	Description	R/W
b5 to b0	—	Reserved	These bits are read as 0. The write value should be 0.	R/W
b6	PFSWE	PFS Register Write Enable	0: Writing to the PFS register is disabled 1: Writing to the PFS register is enabled	R/W
b7	B0WI	PFSWE Bit Write Disable	0: Writing to the PFSWE bit is enabled 1: Writing to the PFSWE bit is disabled	R/W

PFSWE Bit (PFS Register Write Enable)

Writing to PmnPFS register is enabled only when the PFSWE bit is set to 1.

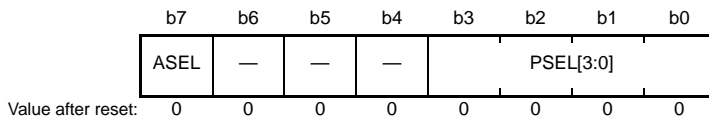
To set the PFSWE bit to 1, write 1 to the PFSWE bit after writing 0 to the B0WI bit.

B0WI Bit (PFSWE Bit Write Disable)

Writing to the PFSWE bit is enabled only when the B0WI bit is set to 0.

20.2.2 P0n Pin Function Control Register (P0nPFS) (n = 0 to 3, 5, 7)

Address(es): P00PFS 0008 C140h, P01PFS 0008 C141h, P02PFS 0008 C142h, P03PFS 0008 C143h,
P05PFS 0008 C145h, P07PFS 0008 C147h



Bit	Symbol	Bit Name	Description	R/W
b3 to b0	PSEL[3:0]	Pin Function Select	These bits select the peripheral function. For individual pin functions, see the tables below.	R/W
b6 to b4	—	Reserved	These bits are read as 0. The write value should be 0.	R/W
b7	ASEL	Analog Input Function Select	0: Used other than as analog pin 1: Used as analog pin P03: DA0 (145/144/100/80/69/64 pins) P05: DA1 (145/144/100/80/69/64 pins)	R/W

The Pmn pin function control register (PmnPFS) selects the pin function. Bits PSEL[3:0] select the peripheral function assigned to each port pin.

The ISEL bit is set when a pin is used as an IRQ input pin. This setting can be used with the combination of the peripheral function, though IRQn (external pin interrupt) of the same number should not be enabled by two or more pins. The ASEL bit is set when a pin is used as an analog pin. When switching a pin to analog using the ASEL bit, set the corresponding port mode register bit (PORTm.PMR) to “general I/O port” and the port direction register bit (PORTm.PDR) to “input”. The pin state cannot be read at this point. The PmnPFS register is protected by the write-protect register (PWPR). Modify the register after releasing the protection.

The ISEL bit to which IRQn is not specified is reserved. The ASEL bit to which analog input/output is not specified is reserved.

Table 20.2 Register Settings for Input/Output Pin Function in 145-Pin and 144-Pin

PSEL[3:0] Settings	Pin					
	P00	P01	P02	P03	P05	P07
0000b (initial value)	Hi-Z					
0101b	TMR10	TMC10	TMC11	—	—	—
1001b	—	—	—	—	—	ADTRG0#
1010b	TXD6 SMOSI6 SSDA6	RXD6 SMISO6 SSCL6	SCK6	—	—	—

—: Do not specify this value.

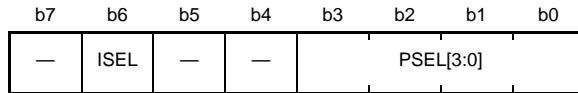
Table 20.3 Register Settings for Input/Output Pin Function in 100-Pin and 80-Pin

PSEL[3:0] Settings	Pin		
	P03	P05	P07
0000b (initial value)	Hi-Z		
1001b	—	—	ADTRG0#

—: Do not specify this value.

20.2.3 P1n Pin Function Control Registers (P1nPFS) (n = 2 to 7)

Address(es): P12PFS 0008 C14Ah, P13PFS 0008 C14Bh, P14PFS 0008 C14Ch, P15PFS 0008 C14Dh,
P16PFS 0008 C14Eh, P17PFS 0008 C14Fh



Value after reset: 0 0 0 0 0 0 0 0

Bit	Symbol	Bit Name	Description	R/W
b3 to b0	PSEL[3:0]	Pin Function Select	These bits select the peripheral function. For individual pin functions, see the tables below.	R/W
b5, b4	—	Reserved	These bits are read as 0. The write value should be 0.	R/W
b6	ISEL	Interrupt Input Function Select	0: Not used as IRQn input pin 1: Used as IRQn input pin P12: IRQ2 input switch (145/144/100/80 pins) P13: IRQ3 input switch (145/144/100/80 pins) P14: IRQ4 input switch (145/144/100/80/69/64/48 pins) P15: IRQ5 input switch (145/144/100/80/69/64/48 pins) P16: IRQ6 input switch ((145/144/100/80/69/64/48 pins) P17: IRQ7 input switch (145/144/100/80/69/64/48 pins)	R/W
b7	—	Reserved	This bit is read as 0. The write value should be 0.	R/W

Table 20.4 Register Settings for Input/Output Pin Function in 145-Pin and 144-Pin

PSEL[3:0] Settings	Pin					
	P12	P13	P14	P15	P16	P17
0000b (initial value)	Hi-Z					
0001b	—	MTIOC0B	MTIOC3A	MTIOC0B	MTIOC3C	MTIOC3A
0010b	—	—	MTCLKA	MTCLKB	MTIOC3D	MTIOC3B
0011b	—	TIOCA5	TIOCB5	TIOCB2	TIOCB1	TIOCB0
0100b	—	—	TCLKA	TCLKB	TCLKC	TCLKD
0101b	TMCI1	TMO3	TMRI2	TMCI2	TMO2	TMO1
0111b	—	—	—	—	RTCOUT	POE8#
1001b	—	—	—	—	ADTRG0#	—
1010b	RXD2 SMISO2 SSCL2	TXD2 SMOSI2 SSDA2	—	RXD1 SMISO1 SSCL1	TXD1 SMOSI1 SSDA1	SCK1
1011b	—	—	CTS1# RTS1# SS1#	SCK3	RXD3 SMISO3 SSCL3	TXD3 SMOSI3 SSDA3
1101b	—	—	—	—	MOSIA	MISOA
1111b	SCL	SDA	—	—	SCL-DS	SDA-DS

—: Do not specify this value.

Table 20.5 Register Settings for Input/Output Pin Function in 100-Pin and 80-Pin

PSEL[3:0] Settings	Pin					
	P12	P13	P14	P15	P16	P17
0000b (initial value)	Hi-Z					
0001b	—	MTIOC0B	MTIOC3A	MTIOC0B	MTIOC3C	MTIOC3A
0010b	—	—	MTCLKA	MTCLKB	MTIOC3D	MTIOC3B
0101b	TMCI1	TMO3	TMRI2	TMCI2	TMO2	TMO1
0111b	—	—	—	—	RTCOUT	POE8#
1001b	—	—	—	—	ADTRG0#	—
1010b	—	—	—	RXD1 SMISO1 SSCL1	TXD1 SMOSI1 SSDA1	SCK1
1011b	—	—	CTS1# RTS1# SS1#	—	—	—
1101b	—	—	—	—	MOSIA	MISOA
1111b	SCL	SDA	—	—	SCL-DS	SDA-DS

—: Do not specify this value.

Table 20.6 Register Settings for Input/Output Pin Function in 69-Pin and 64-Pin

PSEL[3:0] Settings	Pin			
	P14	P15	P16	P17
0000b (initial value)	Hi-Z			
0001b	MTIOC3A	MTIOC0B	MTIOC3C	MTIOC3A
0010b	MTCLKA	MTCLKB	MTIOC3D	MTIOC3B
0101b	TMRI2	TMCI2	TMO2	TMO1
0111b	—	—	RTCOUT	POE8#
1001b	—	—	ADTRG0#	—
1010b	—	RXD1 SMISO1 SSCL1	TXD1 SMOSI1 SSDA1	SCK1
1011b	CTS1# RTS1# SS1#	—	—	—
1101b	—	—	MOSIA	MISOA
1111b	—	—	SCL-DS	SDA-DS

—: Do not specify this value.

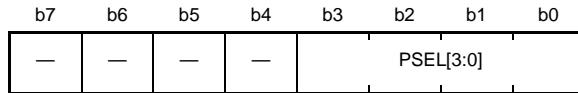
Table 20.7 Register Settings for Input/Output Pin Function in 48-Pin

PSEL[3:0] Settings	Pin			
	P14	P15	P16	P17
0000b (initial value)	Hi-Z			
0001b	MTIOC3A	MTIOC0B	MTIOC3C	MTIOC3A
0010b	MTCLKA	MTCLKB	MTIOC3D	MTIOC3B
0101b	TMRI2	TMCI2	TMO2	TMO1
0111b	—	—	—	POE8#
1001b	—	—	ADTRG0#	—
1010b	—	RXD1 SMISO1 SSCL1	TXD1 SMOSI1 SSDA1	SCK1
1011b	CTS1# RTS1# SS1#	—	—	—
1101b	—	—	MOSIA	MISOA
1111b	—	—	SCL-DS	SDA-DS

—: Do not specify this value.

20.2.4 P2n Pin Function Control Register (P2nPFS) (n = 0 to 7)

Address(es): P20PFS 0008 C150h, P21PFS 0008 C151h, P22PFS 0008 C152h, P23PFS 0008 C153h, P24PFS 0008 C154h, P25PFS 0008 C155h, P26PFS 0008 C156h, P27PFS 0008 C157h



Value after reset: 0 0 0 0 0 0 0 0

Bit	Symbol	Bit Name	Description	R/W
b3 to b0	PSEL[3:0]	Pin Function Select	These bits select the peripheral function. For individual pin functions, see the tables below.	R/W
b7 to b4	—	Reserved	These bits are read as 0. The write value should be 0.	R/W

Table 20.8 Register Settings for Input/Output Pin Function in 145-Pin and 144-Pin

PSEL[3:0] Settings	Pin							
	P20	P21	P22	P23	P24	P25	P26	P27
0000b (initial value)	Hi-Z							
0001b	MTIOC1A	MTIOC1B	MTIOC3B	MTIOC3D	MTIOC4A	MTIOC4C	MTIOC2A	MTIOC2B
0010b	—	—	MTCLKC	MTCLKD	MTCLKA	MTCLKB	—	—
0011b	TIOCB3	TIOCA3	TIOCC3	TIOCD3	TIOCB4	TIOCA4	—	—
0101b	TMRI0	TMCIO	TMO0	—	TMRI1	—	TMO1	TMCI3
1001b	—	—	—	—	—	ADTRG0#	—	—
1010b	TXD0 SMOSI0 SSDA0	RXD0 SMISO0 SSCL0	SCK0	TXD3 SMOSI3 SSDA3	SCK3	RXD3 SMISO3 SSCL3	TXD1 SMOSI1 SSDA1	SCK1
1011b	—	—	—	CTS0# RTS0# SS0#	—	—	CTS3# RTS3# SS3#	—

—: Do not specify this value.

Table 20.9 Register Settings for Input/Output Pin Function in 100-Pin

PSEL[3:0] Settings	Pin							
	P20	P21	P22	P23	P24	P25	P26	P27
0000b (initial value)	Hi-Z							
0001b	MTIOC1A	MTIOC1B	MTIOC3B	MTIOC3D	MTIOC4A	MTIOC4C	MTIOC2A	MTIOC2B
0010b	—	—	MTCLKC	MTCLKD	MTCLKA	MTCLKB	—	—
0101b	TMRI0	TMCIO	TMO0	—	TMRI1	—	TMO1	TMCI3
1001b	—	—	—	—	—	ADTRG0#	—	—
1010b	TXD0 SMOSI0 SSDA0	RXD0 SMISO0 SSCL0	SCK0	—	—	—	TXD1 SMOSI1 SSDA1	SCK1
1011b	—	—	—	CTS0# RTS0# SS0#	—	—	—	—

—: Do not specify this value.

Table 20.10 Register Settings for Input/Output Pin Function in 80-Pin

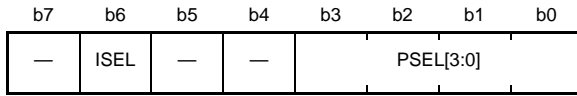
PSEL[3:0] Settings	Pin			
	P20	P21	P26	P27
0000b (initial value)			Hi-Z	
0001b	MTIOC1A	MTIOC1B	MTIOC2A	MTIOC2B
0101b	TMRI0	TMCIO	TMO1	TMCi3
1010b	TXD0 SSDA0	RXD0 SSCL0	TXD1 SMOSI1 SSDA1	SCK1

Table 20.11 Register Settings for Input/Output Pin Function in 69-Pin, 64-Pin and 48-Pin

PSEL[3:0] Settings	Pin	
	P26	P27
0000b (initial value)		Hi-Z
0001b	MTIOC2A	MTIOC2B
0101b	TMO1	TMCi3
1010b	TXD1 SMOSI1 SSDA1	SCK1

20.2.5 P3n Pin Function Control Registers (P3nPFS) (n = 0 to 4)

Address(es): P30PFS 0008 C158h, P31PFS 0008 C159h, P32PFS 0008 C15Ah, P33PFS 0008 C15Bh, P34PFS 0008 C15Ch



Value after reset: 0 0 0 0 0 0 0 0

Bit	Symbol	Bit Name	Description	R/W
b3 to b0	PSEL[3:0]	Pin Function Select	These bits select the peripheral function. For individual pin functions, see the tables below.	R/W
b5, b4	—	Reserved	These bits are read as 0. The write value should be 0.	R/W
b6	ISEL	Interrupt Input Function Select	0: Not used as IRQn input pin 1: Used as IRQn input pin P30: IRQ0-DS input switch (145/144/100/80/69/64/48 pins) P31: IRQ1-DS input switch (145/144/100/80/69/64/48 pins) P32: IRQ2-DS input switch (145/144/100/80/69/64 pins) P33: IRQ3-DS input switch (145/144/100 pins) P34: IRQ4 input switch (145/144/100/80 pins)	R/W
b7	—	Reserved	This bit is read as 0. The write value should be 0.	R/W

Table 20.12 Register Settings for Input/Output Pin Function in 145-Pin and 144-Pin

PSEL[3:0] Settings	Pin				
	P30	P31	P32	P33	P34
0000b (initial value)	Hi-Z				
0001b	MTIOC4B	MTIOC4D	MTIOC0C	MTIOC0D	MTIOC0A
0011b	—	—	TIOCC0	TIOCD0	—
0101b	TMRI3	TMCI2	TMO3	TMRI3	TMCI3
0111b	POE8#	—	RTCOUT	POE3#	POE2#
1010b	RXD1 SMISO1 SSCL1	—	TXD0 SMOSI0 SSDA0	RXD0 SMISO0 SSCL0	SCK0
1011b	—	CTS1# RTS1# SS1#	TXD6 SMOSI6 SSDA6	RXD6 SMISO6 SSCL6	SCK6

—: Do not specify this value.

Table 20.13 Register Settings for Input/Output Pin Function in 100-Pin

PSEL[3:0] Settings	Pin				
	P30	P31	P32	P33	P34
0000b (initial value)	Hi-Z				
0001b	MTIOC4B	MTIOC4D	MTIOC0C	MTIOC0D	MTIOC0A
0101b	TMRI3	TMCI2	TMO3	TMRI3	TMCI3
0111b	POE8#	—	RTCOUT	POE3#	POE2#
1010b	RXD1 SMISO1 SSCL1	—	—	—	—
1011b	—	CTS1# RTS1# SS1#	TXD6 SMOSI6 SSDA6	RXD6 SMISO6 SSCL6	SCK6

—: Do not specify this value.

Table 20.14 Register Settings for Input/Output Pin Function in 80-Pin

PSEL[3:0] Settings	Pin			
	P30	P31	P32	P34
0000b (initial value)	Hi-Z			
0001b	MTIOC4B	MTIOC4D	MTIOC0C	MTIOC0A
0101b	TMRI3	TMCI2	TMO3	TMCI3
0111b	POE8#	—	RTCOUT	POE2#
1010b	RXD1 SMISO1 SSCL1	—	—	—
1011b	—	CTS1# RTS1# SS1#	TXD6 SMOSI6 SSDA6	SCK6

—: Do not specify this value.

Table 20.15 Register Settings for Input/Output Pin Function in 69-Pin and 64-Pin

PSEL[3:0] Settings	Pin		
	P30	P31	P32
0000b (initial value)	Hi-Z		
0001b	MTIOC4B	MTIOC4D	MTIOC0C
0101b	TMRI3	TMCI2	TMO3
0111b	POE8#	—	RTCOUT
1010b	RXD1 SMISO1 SSCL1	—	—
1011b	—	CTS1# RTS1# SS1#	TXD6 SMOSI6 SSDA6

—: Do not specify this value.

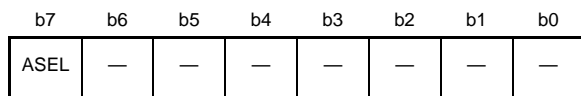
Table 20.16 Register Settings for Input/Output Pin Function in 48-Pin

PSEL[3:0] Settings	Pin	
	P30	P31
0000b (initial value)		Hi-Z
0001b	MTIOC4B	MTIOC4D
0101b	TMRI3	TMCI2
0111b	POE8#	—
1010b	RXD1 SMISO1 SSCL1	—
1011b	—	CTS1# RTS1# SS1#

—: Do not specify this value.

20.2.6 P4n Pin Function Control Registers (P4nPFS) (n = 0 to 7)

Address(es): P40PFS 0008 C160h, P41PFS 0008 C161h, P42PFS 0008 C162h, P43PFS 0008 C163h, P44PFS 0008 C164h, P45PFS 0008 C165h, P46PFS 0008 C166h, P47PFS 0008 C167h

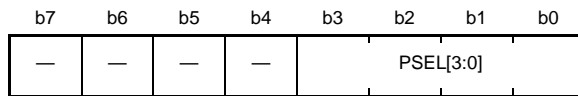


Value after reset: 0 0 0 0 0 0 0 0

Bit	Symbol	Bit Name	Description	R/W
b6 to b0	—	Reserved	These bits are read as 0. The write value should be 0.	R/W
b7	ASEL	Analog Function Select	0: Not used as an analog pin 1: Used as an analog pin P40: AN000 (145/144/100/80/69/64/48 pins) P41: AN001 (145/144/100/80/69/64/48 pins) P42: AN002 (145/144/100/80/69/64/48 pins) P43: AN003 (145/144/100/80/69/64 pins) P44: AN004 (145/144/100/80/69/64 pins) P45: AN005 (145/144/100/80 pins) P46: AN006 (145/144/100/80/69/64/48 pins) P47: AN007 (145/144/100/80 pins)	R/W

20.2.7 P5n Pin Function Control Registers (P5nPFS) (n = 0 to 2, 4 to 6)

Address(es): P50PFS 0008 C168h, P51PFS 0008 C169h, P52PFS 0008 C16Ah, P54PFS 0008 C16Ch,
P55PFS 0008 C16Dh, P56PFS 0008 C16Eh



Value after reset: 0 0 0 0 0 0 0 0

Bit	Symbol	Bit Name	Description	R/W
b3 to b0	PSEL[3:0]	Pin Function Select	These bits select the peripheral function. For individual pin functions, see the tables below.	R/W
b7 to b4	—	Reserved	These bits are read as 0. The write value should be 0.	R/W

Table 20.17 Register Settings for Input/Output Pin Function in 145-Pin and 144-Pin

PSEL[3:0] Settings	Pin					
	P50	P51	P52	P54	P55	P56
0000b (initial value)	Hi-Z					
0001b	—	—	—	MTIOC4B	MTIOC4D	MTIOC3C
0011b	—	—	—	—	—	TIOCA1
0101b	—	—	—	TMCI1	TMO3	—
1010b	TXD2 SMOSI2 SSDA2	SCK2	RXD2 SMISO2 SSCL2	—	—	—
1011b	—	—	—	CTS2# RTS2# SS2#	—	—

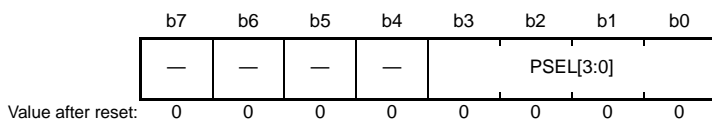
—: Do not specify this value.

Table 20.18 Register Settings for Input/Output Pin Function in 100-Pin, 80-Pin, 69-Pin, and 64-Pin

PSEL[3:0] Settings	Pin	
	P54	P55
0000b (initial value)	Hi-Z	
0001b	MTIOC4B	MTIOC4D
0101b	TMCI1	TMO3

20.2.8 P6n Pin Function Control Registers (P6nPFS) (n = 0, 1)

Address(es): P60PFS 0008 C170h, P61PFS 0008 C171h



Bit	Symbol	Bit Name	Description	R/W
b3 to b0	PSEL[3:0]	Pin Function Select	These bits select the peripheral function. For individual pin functions, see the table below.	R/W
b7 to b4	—	Reserved	These bits are read as 0. The write value should be 0.	R/W

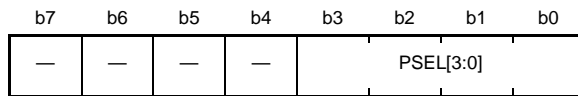
Table 20.19 Register Settings for Input/Output Pin Function in 145-Pin and 144-Pin

PSEL[3:0] Settings	Pin	
	P60	P61
0000b (initial value)		Hi-Z
1010b	SCK9	—
1011b	—	CTS9# RTS9# SS9#

—: Do not specify this value.

20.2.9 P7n Pin Function Control Registers (P7nPFS) (n = 0, 4 to 7)

Address(es): P70PFS 0008 C178h, P74PFS 0008 C17Ch, P75PFS 0008 C17Dh, P76PFS 0008 C17Eh, P77PFS 0008 C17FCh



Value after reset: 0 0 0 0 0 0 0 0

Bit	Symbol	Bit Name	Description	R/W
b3 to b0	PSEL[3:0]	Pin Function Select	These bits select the peripheral function. For individual pin functions, see the table below.	R/W
b7 to b4	—	Reserved	These bits are read as 0. The write value should be 0.	R/W

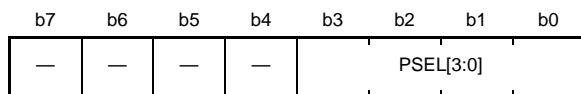
Table 20.20 Register Settings for Input/Output Pin Function in 145-Pin and 144-Pin

PSEL[3:0] Settings	Pin				
	P70	P74	P75	P76	P77
0000b (initial value)			Hi-Z		
1010b	SCK4	—	SCK11	RXD11 SMISO11 SSCL11	TXD11 SMOS11 SSDA11
1011b	—	CTS11# RTS11# SS11#	—	—	—

—: Do not specify this value.

20.2.10 P8n Pin Function Control Registers (P8nPFS) (n = 0 to 3, 6, 7)

Address(es): P80PFS 0008 C180h, P81PFS 0008 C181h, P82PFS 0008 C182h, P83PFS 0008 C183h,
P86PFS 0008 C186h, P87PFS 0008 C187h



Value after reset: 0 0 0 0 0 0 0 0

Bit	Symbol	Bit Name	Description	R/W
b3 to b0	PSEL[3:0]	Pin Function Select	These bits select the peripheral function. For individual pin functions, see the table below.	R/W
b7 to b4	—	Reserved	These bits are read as 0. The write value should be 0.	R/W

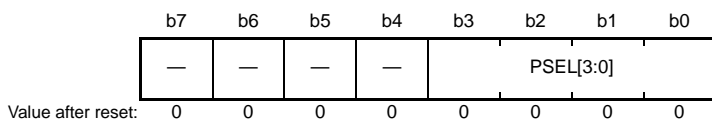
Table 20.21 Register Settings for Input/Output Pin Function in 145-Pin and 144-Pin

PSEL[3:0] Settings	Pin					
	P80	P81	P82	P83	P86	P87
0000b (initial value)	Hi-Z					
0001b	MTIOC3B	MTIOC3D	MTIOC4A	MTIOC4C	—	—
0011b	—	—	—	—	TIOCA0	TIOCA2
1010b	SCK10	RXD10 SMISO10 SSCL10	TXD10 SMOS110 SSDA10	—	—	—
1011b	—	—	—	CTS10# RTS10# SS10#	—	—

—: Do not specify this value.

20.2.11 P9n Pin Function Control Registers (P9nPFS) (n = 0 to 3)

Address(es): P90PFS 0008 C188h, P91PFS 0008 C189h, P92PFS 0008 C18Ah, P93PFS 0008 C18Bh



Bit	Symbol	Bit Name	Description	R/W
b3 to b0	PSEL[3:0]	Pin Function Select	These bits select the peripheral function. For individual pin functions, see the table below.	R/W
b7 to b4	—	Reserved	These bits are read as 0. The write value should be 0.	R/W

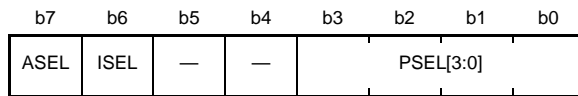
Table 20.22 Register Settings for Input/Output Pin Function in 145-Pin and 144-Pin

PSEL[3:0] Settings	Pin			
	P90	P91	P92	P93
0000b (initial value)			Hi-Z	
1010b	TXD7 SMOSI7 SSDA7	SCK7	RXD7 SMISO7 SSCL7	—
1011b	—	—	—	CTS7# RTS7# SS7#

—: Do not specify this value.

20.2.12 PAn Pin Function Control Registers (PAnPFS) (n = 0 to 7)

Address(es): PA0PFS 0008 C190h, PA1PFS 0008 C191h, PA2PFS 0008 C192h, PA3PFS 0008 C193h,
PA4PFS 0008 C194h, PA5PFS 0008 C195h, PA6PFS 0008 C196h, PA7PFS 0008 C197h



Value after reset: 0 0 0 0 0 0 0 0

Bit	Symbol	Bit Name	Description	R/W
b3 to b0	PSEL[3:0]	Pin Function Select	These bits select the peripheral function. For individual pin functions, see the tables below.	R/W
b5, b4	—	Reserved	These bits are read as 0. The write value should be 0.	R/W
b6	ISEL	Interrupt Input Function Select	0: Not used as IRQn input pin 1: Used as IRQn input pin PA3: IRQ6-DS input switch (145/144/100/80/69/64/48 pins) PA4: IRQ5-DS input switch (145/144/100/80/69/64/48 pins)	R/W
b7	ASEL	Analog Function Select	0: Not used as an analog pin 1: Used as an analog pin PA1: CVREFA (145/144/100/80/69/64/48 pins) PA3: CMPB1 (145/144/100/80/69/64/48 pins) PA4: CVREFB1 (145/144/100/80/69/64/48 pins)	R/W

Table 20.23 Register Settings for Input/Output Pin Function in 145-Pin and 144-Pin

PSEL[3:0] Settings	Pin							
	PA0	PA1	PA2	PA3	PA4	PA5	PA6	PA7
0000b (initial value)					Hi-Z			
0001b	MTIOC4A	MTIOC0B	—	MTIOC0D	MTIC5U	—	MTIC5V	—
0010b	—	MTCLKC	—	MTCLKD	MTCLKA	—	MTCLKB	—
0011b	TIOCA0	TIOCB0	—	TIOCD0	TIOCA1	TIOCB1	TIOCA2	TIOCB2
0100b	—	—	—	TCLKB	—	—	—	—
0101b	—	—	—	—	TMRI0	—	TMC13	—
0111b	CACREF	—	—	—	—	—	POE2#	—
1010b	—	SCK5	RXD5 SMISO5 SSCL5	RXD5 SMISO5 SSCL5	TXD5 SMOSI5 SSDA5	—	—	—
1011b	—	—	—	—	—	—	CTS5# RTS5# SS5#	—
1101b	SSLA1	SSLA2	SSLA3	—	SSLA0	RSPCKA	MOSIA	MISOA

—: Do not specify this value.

Table 20.24 Register Settings for Input/Output Pin Function in 100-Pin

PSEL[3:0] Settings	Pin							
	PA0	PA1	PA2	PA3	PA4	PA5	PA6	PA7
0000b (initial value)	Hi-Z							
0001b	MTIOC4A	MTIOC0B	—	MTIOC0D	MTIC5U	—	MTIC5V	—
0010b	—	MTCLKC	—	MTCLKD	MTCLKA	—	MTCLKB	—
0101b	—	—	—	—	TMRI0	—	TMCI3	—
0111b	CACREF	—	—	—	—	—	POE2#	—
1010b	—	SCK5	RXD5 SMISO5 SSCL5	RXD5 SMISO5 SSCL5	TXD5 SMOSI5 SSDA5	—	—	—
1011b	—	—	—	—	—	—	CTS5# RTS5# SS5#	—
1101b	SSLA1	SSLA2	SSLA3	—	SSLA0	RSPCKA	MOSIA	MISOA

—: Do not specify this value.

Table 20.25 Register Settings for Input/Output Pin Function in 80-Pin

PSEL[3:0] Settings	Pin						
	PA0	PA1	PA2	PA3	PA4	PA5	PA6
0000b (initial value)	Hi-Z						
0001b	MTIOC4A	MTIOC0B	—	MTIOC0D	MTIC5U	—	MTIC5V
0010b	—	MTCLKC	—	MTCLKD	MTCLKA	—	MTCLKB
0101b	—	—	—	—	TMRI0	—	TMCI3
0111b	CACREF	—	—	—	—	—	POE2#
1010b	—	SCK5	RXD5 SMISO5 SSCL5	RXD5 SMISO5 SSCL5	TXD5 SMOSI5 SSDA5	—	—
1011b	—	—	—	—	—	—	CTS5# RTS5# SS5#
1101b	SSLA1	SSLA2	SSLA3	—	SSLA0	RSPCKA	MOSIA

—: Do not specify this value.

Table 20.26 Register Settings for Input/Output Pin Function in 69-Pin and 64-Pin

PSEL[3:0] Settings	Pin				
	PA0	PA1	PA3	PA4	PA6
0000b (initial value)	Hi-Z				
0001b	MTIOC4A	MTIOC0B	MTIOC0D	MTIC5U	MTIC5V
0010b	—	MTCLKC	MTCLKD	MTCLKA	MTCLKB
0101b	—	—	—	TMRI0	TMCI3
0111b	CACREF	—	—	—	POE2#
1010b	—	SCK5	RXD5 SMISO5 SSCL5	TXD5 SMOSI5 SSDA5	—
1011b	—	—	—	—	CTS5# RTS5# SS5#
1101b	SSLA1	SSLA2	—	SSLA0	MOSIA

—: Do not specify this value.

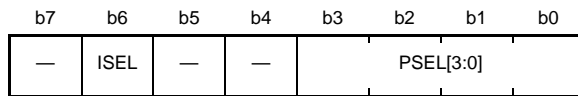
Table 20.27 Register Settings for Input/Output Pin Function in 48-Pin

PSEL[3:0] Settings	Pin			
	PA1	PA3	PA4	PA6
0000b (initial value)			Hi-Z	
0001b	MTIOC0B	MTIOC0D	MTIC5U	MTIC5V
0010b	MTCLKC	MTCLKD	MTCLKA	MTCLKB
0101b	—	—	TMRI0	TMCI3
0111b	—	—	—	POE2#
1010b	SCK5	RXD5 SMISO5 SSCL5	TXD5 SMOSI5 SSDA5	—
1011b	—	—	—	CTS5# RTS5# SS5#
1101b	SSLA2	—	SSLA0	MOSIA

—: Do not specify this value.

20.2.13 PB_n Pin Function Control Registers (PB_nPFS) (n = 0 to 7)

Address(es): PB0PFS 0008 C198h, PB1PFS 0008 C199h, PB2PFS 0008 C19Ah, PB3PFS 0008 C19Bh,
PB4PFS 0008 C19Ch, PB5PFS 0008 C19Dh, PB6PFS 0008 C19Eh, PB7PFS 0008 C19Fh,



Value after reset: 0 0 0 0 0 0 0 0

Bit	Symbol	Bit Name	Description	R/W
b3 to b0	PSEL[3:0]	Pin Function Select	These bits select the peripheral function. For individual pin functions, see the tables below.	R/W
b5, b4	—	Reserved	These bits are read as 0. The write value should be 0.	R/W
b6	ISEL	Interrupt Input Function Select	0: Not used as IRQ _n input pin 1: Used as IRQ _n input pin PB1: IRQ4-DS (145/144/100/80/69/64/48 pins)	R/W
b7	—	Reserved	This bit is read as 0. The write value should be 0.	R/W

Table 20.28 Register Settings for Input/Output Pin Function in 145-Pin and 144-Pin

PSEL[3:0] Settings	Pin							
	PB0	PB1	PB2	PB3	PB4	PB5	PB6	PB7
0000b (initial value)	Hi-Z							
0001b	MTIC5W	MTIOC0C	—	MTIOC0A	—	MTIOC2A	MTIOC3D	MTIOC3B
0010b	—	MTIOC4C	—	MTIOC4A	—	MTIOC1B	—	—
0011b	TIOCA3	TIOCB3	TIOCC3	TIOCD3	TIOCA4	TIOCB4	TIOCA5	TIOCB5
0100b	—	—	TCLKC	TCLKD	—	—	—	—
0101b	—	TMCIO	—	TMO0	—	TMR11	—	—
0111b	—	—	—	POE3#	—	POE1#	—	—
1010b	RXD4 SMISO4 SSCL4	TXD4 SMOSI4 SSDA4	CTS4# RTS4# SS4#	SCK4	—	SCK9	RXD9 SMISO9 SSCL9	TXD9 SMOSI9 SSDA9
1011b	RXD6 SMISO6 SSCL6	TXD6 SMOSI6 SSDA6	CTS6# RTS6# SS6#	SCK6	CTS9# RTS9# SS9#	—	—	—
1101b	RSPCKA	—	—	—	—	—	—	—

—: Do not specify this value.

Table 20.29 Register Settings for Input/Output Pin Function in 100-Pin and 80-Pin

PSEL[3:0] Settings	Pin							
	PB0	PB1	PB2	PB3	PB4	PB5	PB6	PB7
0000b (initial value)	Hi-Z							
0001b	MTIC5W	MTIOC0C	—	MTIOC0A	—	MTIOC2A	MTIOC3D	MTIOC3B
0010b	—	MTIOC4C	—	MTIOC4A	—	MTIOC1B	—	—
0101b	—	TMCIO	—	TMO0	—	TMR1	—	—
0111b	—	—	—	POE3#	—	POE1#	—	—
1010b	—	—	—	—	—	SCK9	RXD9 SMISO9 SSCL9	TXD9 SMOSI9 SSDA9
1011b	RXD6 SMISO6 SSCL6	TXD6 SMOSI6 SSDA6	CTS6# RTS6# SS6#	SCK6	CTS9# RTS9# SS9#	—	—	—
1101b	RSPCKA	—	—	—	—	—	—	—

—: Do not specify this value.

Table 20.30 Register Settings for Input/Output Pin Function in 69-Pin and 64-Pin

PSEL[3:0] Settings	Pin					
	PB0	PB1	PB3	PB5	PB6	PB7
0000b (initial value)	Hi-Z					
0001b	MTIC5W	MTIOC0C	MTIOC0A	MTIOC2A	MTIOC3D	MTIOC3B
0010b	—	MTIOC4C	MTIOC4A	MTIOC1B	—	—
0101b	—	TMCIO	TMO0	TMR1	—	—
0111b	—	—	POE3#	POE1#	—	—
1010b	—	—	—	SCK9	RXD9 SMISO9 SSCL9	TXD9 SMOSI9 SSDA9
1011b	RXD6 SMISO6 SSCL6	TXD6 SMOSI6 SSDA6	SCK6	—	—	—
1101b	RSPCKA	—	—	—	—	—

—: Do not specify this value.

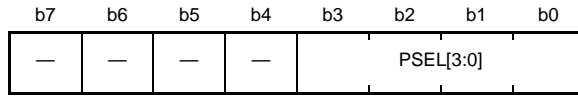
Table 20.31 Register Settings for Input/Output Pin Function in 48-Pin

PSEL[3:0] Settings	Pin			
	PB0	PB1	PB3	PB5
0000b (initial value)	Hi-Z			
0001b	MTIC5W	MTIOC0C	MTIOC0A	MTIOC2A
0010b	—	MTIOC4C	MTIOC4A	MTIOC1B
0101b	—	TMCIO	TMO0	TMR1
0111b	—	—	POE3#	POE1#
1011b	RXD6 SMISO6 SSCL6	TXD6 SMOSI6 SSDA6	SCK6	—
1101b	RSPCKA	—	—	—

—: Do not specify this value.

20.2.14 PCn Pin Function Control Registers (PCnPFS) (n = 0 to 7)

Address(es): PC0PFS 0008 C1A0h, PC1PFS 0008 C1A1h, PC2PFS 0008 C1A2h, PC3PFS 0008 C1A3h, PC4PFS 0008 C1A4h, PC5PFS 0008 C1A5h, PC6PFS 0008 C1A6h, PC7PFS 0008 C1A7h



Value after reset: 0 0 0 0 0 0 0 0

Bit	Symbol	Bit Name	Description	R/W
b3 to b0	PSEL[3:0]	Pin Function Select	These bits select the peripheral function. For individual pin functions, see the tables below.	R/W
b7 to b4	—	Reserved	These bits are read as 0. The write value should be 0.	R/W

Table 20.32 Register Settings for Input/Output Pin Function in 145-Pin and 144-Pin

PSEL[3:0] Settings	Pin							
	PC0	PC1	PC2	PC3	PC4	PC5	PC6	PC7
0000b (initial value)	Hi-Z							
0001b	MTIOC3C	MTIOC3A	MTIOC4B	MTIOC4D	MTIOC3D	MTIOC3B	MTIOC3C	MTIOC3A
0010b	—	—	—	—	MTCLKC	MTCLKD	MTCLKA	MTCLKB
0011b	TCLKC	TCLKD	TCLKA	TCLKB	—	—	—	—
0101b	—	—	—	—	TMCI1	TMRI2	TMCI2	TMO2
0111b	—	—	—	—	POE0#	—	—	CACREF
1010b	—	SCK5	RXD5 SMISO5 SSCL5	TXD5 SMOSI5 SSDA5	SCK5	SCK8	RXD8 SMISO8 SSCL8	TXD8 SMOSI8 SSDA8
1011b	CTS5# RTS5# SS5#	—	—	—	CTS8# RTS8# SS8#	—	—	—
1101b	SSLA1	SSLA2	SSLA3	—	SSLA0	RSPCKA	MOSIA	MISOA

—: Do not specify this value.

Table 20.33 Register Settings for Input/Output Pin Function in 100-Pin

PSEL[3:0] Settings	Pin							
	PC0	PC1	PC2	PC3	PC4	PC5	PC6	PC7
0000b (initial value)	Hi-Z							
0001b	MTIOC3C	MTIOC3A	MTIOC4B	MTIOC4D	MTIOC3D	MTIOC3B	MTIOC3C	MTIOC3A
0010b	—	—	—	—	MTCLKC	MTCLKD	MTCLKA	MTCLKB
0101b	—	—	—	—	TMCI1	TMRI2	TMCI2	TMO2
0111b	—	—	—	—	POE0#	—	—	CACREF
1010b	—	SCK5	RXD5 SMISO5 SSCL5	TXD5 SMOSI5 SSDA5	SCK5	SCK8	RXD8 SMISO8 SSCL8	TXD8 SMOSI8 SSDA8
1011b	CTS5# RTS5# SS5#	—	—	—	CTS8# RTS8# SS8#	—	—	—
1101b	SSLA1	SSLA2	SSLA3	—	SSLA0	RSPCKA	MOSIA	MISOA

—: Do not specify this value.

Table 20.34 Register Settings for Input/Output Pin Function in 80-Pin, 69-Pin, and 64-Pin

PSEL[3:0] Settings	Pin					
	PC2	PC3	PC4	PC5	PC6	PC7
0000b (initial value)	Hi-Z					
0001b	MTIOC4B	MTIOC4D	MTIOC3D	MTIOC3B	MTIOC3C	MTIOC3A
0010b	—	—	MTCLKC	MTCLKD	MTCLKA	MTCLKB
0101b	—	—	TMCI1	TMRI2	TMCI2	TMO2
0111b	—	—	POE0#	—	—	CACREF
1010b	RXD5 SMISO5 SSCL5	TXD5 SMOSI5 SSDA5	SCK5	SCK8	RXD8 SMISO8 SSCL8	TXD8 SMOSI8 SSDA8
1011b	—	—	CTS8# RTS8# SS8#	—	—	—
1101b	SSLA3	—	SSLA0	RSPCKA	MOSIA	MISOA

—: Do not specify this value.

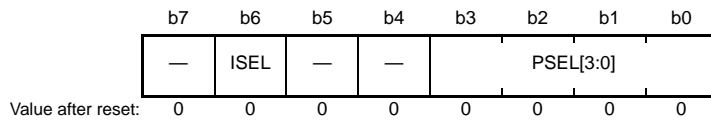
Table 20.35 Register Settings for Input/Output Pin Function in 48-Pin

PSEL[3:0] Settings	Pin			
	PC4	PC5	PC6	PC7
0000b (initial value)	Hi-Z			
0001b	MTIOC3D	MTIOC3B	MTIOC3C	MTIOC3A
0010b	MTCLKC	MTCLKD	MTCLKA	MTCLKB
0101b	TMCI1	TMRI2	TMCI2	TMO2
0111b	POE0#	—	—	CACREF
1010b	SCK5	SCK8	RXD8 SMISO8 SSCL8	TXD8 SMOSI8 SSDA8
1011b	CTS8# RTS8# SS8#	—	—	—
1101b	SSLA0	RSPCKA	MOSIA	MISOA

—: Do not specify this value.

20.2.15 PDn Pin Function Control Registers (PDnPFS) (n = 0 to 7)

Address(es): PD0PFS 0008 C1A8h, PD1PFS 0008 C1A9h, PD2PFS 0008 C1AAh, PD3PFS 0008 C1ABh, PD4PFS 0008 C1ACh, PD5PFS 0008 C1ADh, PD6PFS 0008 C1AEh, PD7PFS 0008 C1AFh



Bit	Symbol	Bit Name	Description	R/W
b3 to b0	PSEL[3:0]	Pin Function Select	These bits select the peripheral function. For individual pin functions, see the tables below.	R/W
b5, b4	—	Reserved	These bits are read as 0. The write value should be 0.	R/W
b6	ISEL	Interrupt Input Function Select	0: Not used as IRQn input pin 1: Used as IRQn input pin PD0: IRQ0 input switch (145/144/100/80 pins) PD1: IRQ1 input switch (145/144/100/80 pins) PD2: IRQ2 input switch (145/144/100/80 pins) PD3: IRQ3 input switch (145/144/100 pins) PD4: IRQ4 input switch (145/144/100 pins) PD5: IRQ5 input switch (145/144/100 pins) PD6: IRQ6 input switch (145/144/100 pins) PD7: IRQ7 input switch (145/144/100 pins)	R/W
b7	—	Reserved	This bit is read as 0. The write value should be 0.	R/W

Table 20.36 Register Settings for Input/Output Pin Function in 100-Pin

PSEL[3:0] Settings	Pin						
	PD1	PD2	PD3	PD4	PD5	PD6	PD7
0000b (initial value)	Hi-Z						
0001b	MTIOC4B	MTIOC4D	—	—	MTIC5W	MTIC5V	MTIC5U
0111b	—	—	POE8#	POE3#	POE2#	POE1#	POE0#

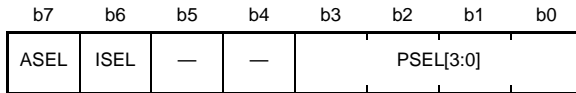
—: Do not specify this value.

Table 20.37 Register Settings for Input/Output Pin Function in 80-Pin

PSEL[3:0] Settings	Pin	
	PD1	PD2
0000b (initial value)	Hi-Z	
0001b	MTIOC4B	MTIOC4D

20.2.16 PEn Pin Function Control Registers (PEnPFS) (n = 0 to 7)

Address(es): PE0PFS 0008 C1B0h, PE1PFS 0008 C1B1h, PE2PFS 0008 C1B2h, PE3PFS 0008 C1B3h, PE4PFS 0008 C1B4h, PE5PFS 0008 C1B5h, PE6PFS 0008 C1B6h, PE7PFS 0008 C1B7h



Value after reset: 0 0 0 0 0 0 0 0

Bit	Symbol	Bit Name	Description	R/W
b3 to b0	PSEL[3:0]	Pin Function Select	These bits select the peripheral function. For individual pin functions, see the tables below.	R/W
b5, b4	—	Reserved	These bits are read as 0. The write value should be 0.	R/W
b6	ISEL	Interrupt Input Function Select	0: Not used as IRQn input pin 1: Used as IRQn input pin PE2: IRQ7-DS input switch (145/144/100/80/69/64/48 pins) PE5: IRQ5 input switch (145/144/100/80/69/64 pins) PE6: IRQ6 input switch (145/144/100 pins) PE7: IRQ7 input switch (145/144/100 pins)	R/W
b7	ASEL	Analog Function Select	0: Not used as an analog pin 1: Used as an analog pin PE0:AN008 (145/144/100/80/69/64 pins) PE1:AN009 or CMPB0 (145/144/100/80/69/64/48 pins) PE2:AN010 or CVREFB0 (145/144/100/80/69/64/48 pins) PE3:AN011 or CMPA1 (145/144/100/80/69/64/48 pins) PE4:AN012 or CMPA2 (145/144/100/80/69/64/48 pins) PE5:AN013 (145/144/100/80/69/64 pins) PE6:AN014 (145/144/100 pins) PE7:AN015 (145/144/100 pins)	R/W

Table 20.38 Register Settings for Input/Output Pin Function in 145-Pin and 144-Pin

PSEL[3:0] Settings	Pin						
	PE0	PE1	PE2	PE3	PE4	PE5	PE6
0000b (initial value)	Hi-Z						
0001b	—	MTIOC4C	MTIOC4A	MTIOC4B	MTIOC4D	MTIOC4C	—
0010b	—	—	—	—	MTIOC1A	MTIOC2B	—
0111b	—	—	—	POE8#	—	—	—
1011b	—	—	—	—	—	—	CTS4# RTS4# SS4#
1100b	SCK12	TXD12 TXDX12 SIOX12 SMOS12 SSDA12	RXD12 RXDX12 SMISO12 SSCL12	CTS12# RTS12# SS12#	—	—	—

—: Do not specify this value.

Table 20.39 Register Settings for Input/Output Pin Function in 100-Pin, 80-Pin, 69-Pin, and 64-Pin

PSEL[3:0] Settings	Pin					
	PE0	PE1	PE2	PE3	PE4	PE5
0000b (initial value)	Hi-Z					
0001b	—	MTIOC4C	MTIOC4A	MTIOC4B	MTIOC4D	MTIOC4C
0010b	—	—	—	—	MTIOC1A	MTIOC2B
0111b	—	—	—	POE8#	—	—
1100b	SCK12	TXD12 TXDX12 SIOX12 SMOSI12 SSDA12	RXD12 RXDX12 SMISO12 SSCL12	CTS12# RTS12# SS12#	—	—

—: Do not specify this value.

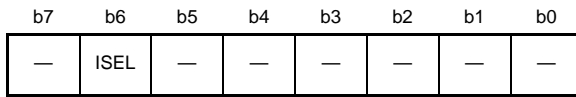
Table 20.40 Register Settings for Input/Output Pin Function in 48-Pin

PSEL[3:0] Settings	Pin			
	PE1	PE2	PE3	PE4
0000b (initial value)	Hi-Z			
0001b	MTIOC4C	MTIOC4A	MTIOC4B	MTIOC4D
0010b	—	—	—	MTIOC1A
0111b	—	—	POE8#	—
1100b	TXD12 TXDX12 SIOX12 SSDA12	RXD12 RXDX12 SSCL12	CTS12# RTS12#	—

—: Do not specify this value.

20.2.17 PF5 Pin Function Control Registers (PF5PFS)

Address(es): 0008 C1BDh

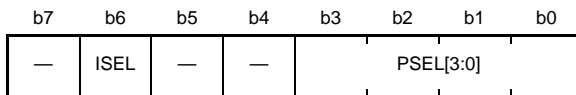


Value after reset: 0 0 0 0 0 0 0 0

Bit	Symbol	Bit Name	Description	R/W
b5 to b0	—	Reserved	These bits are read as 0. The write value should be 0.	R/W
b6	ISEL	Interrupt Input Function Select	0: Not used as IRQn input pin 1: Used as IRQn input pin PF5: IRQ4 input switch (145/144 pins)	R/W
b7	—	Reserved	This bit is read as 0. The write value should be 0.	R/W

20.2.18 PHn Pin Function Control Registers (PHnPFS) (n = 0 to 3)

Address(es): PH0PFS 0008 C1C8h, PH1PFS 0008 C1C9h, PH2PFS 0008 C1CAh, PH3PFS 0008 C1CBh



Value after reset: 0 0 0 0 0 0 0 0

Bit	Symbol	Bit Name	Description	R/W
b3 to b0	PSEL[3:0]	Pin Function Select	These bits select the peripheral function. For individual pin functions, see the table below.	R/W
b5, b4	—	Reserved	These bits are read as 0. The write value should be 0.	R/W
b6	ISEL	Interrupt Input Function Select	0: Not used as IRQn input pin 1: Used as IRQn input pin PH1: IRQ0 input switch (145/144/100/80/69/64/48 pins) PH2: IRQ1 input switch (145/144/100/80/69/64/48 pins)	R/W
b7	—	Reserved	This bit is read as 0. The write value should be 0.	R/W

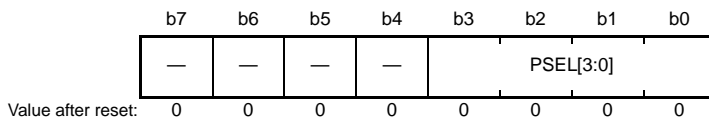
Table 20.41 Register Settings for Input/Output Pin Function in 145-Pin, 144-Pin, 100-Pin, 80-Pin, 69-Pin, 64-Pin, and 48-Pin

PSEL[3:0] Settings	Pin			
	PH0	PH1	PH2	PH3
0000b (initial value)			Hi-Z	
0101b	—	TMO0	TMRI0	TMCIO
0111b	CACREF	—	—	—

—: Do not specify this value.

20.2.19 PJn Pin Function Control Registers (PJnPFS) (n = 1, 3)

Address(es): PJ1PFS 0008 C1D1h, PJ3PFS 0008 C1D3h



Bit	Symbol	Bit Name	Description	R/W
b3 to b0	PSEL[3:0]	Pin Function Select	These bits select the peripheral function. For individual pin functions, see the tables below.	R/W
b7 to b4	—	Reserved	These bits are read as 0. The write value should be 0.	R/W

Table 20.42 Register Settings for Input/Output Pin Function in 145-Pin and 144-Pin

PSEL[3:0] Settings	Pin	
	PJ1	PJ3
0000b (initial value)		Hi-Z
0001b	MTIOC3A	MTIOC3C
1010b	—	CTS0# RTS0# SS0#
1011b	—	CTS6# RTS6# SS6#

—: Do not specify this value.

Table 20.43 Register Settings for Input/Output Pin Function in 100-Pin

PSEL[3:0] Settings	Pin	
	PJ1	PJ3
0000b (initial value)		Hi-Z
0001b	MTIOC3A	MTIOC3C
1011b	—	CTS6# RTS6# SS6#

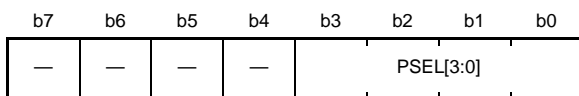
—: Do not specify this value.

Table 20.44 Register Settings for Input/Output Pin Function in 80-Pin

PSEL[3:0] Settings	Pin	
	PJ1	
0000b (initial value)	Hi-Z	
0001b	MTIOC3A	

20.2.20 P_{Kn} Pin Function Control Registers (P_{Kn}PFS) (n = 2 to 5)

Address(es): PK2PFS 0008 C1DAh, PK3PFS 0008 C1DBh, PK4PFS 0008 C1DCh, PK5PFS 0008 C1DDh



Value after reset: 0 0 0 0 0 0 0 0

Bit	Symbol	Bit Name	Description	R/W
b0	PSEL[3:0]	Pin Function Select	These bits select the peripheral function. For individual pin functions, see the table below.	R/W
b7 to b4	—	Reserved	These bits are read as 0. The write value should be 0.	R/W

Table 20.45 Register Settings for Input/Output Pin Function in 145-Pin and 144-Pin

PSEL[3:0] Settings	Pin			
	PK2	PK3	PK4	PK5
0000b (initial value)			Hi-Z	
1010b	TXD9 SMOSI9 SSDA9	RXD9 SMISO9 SSCL9	RXD4 SMISO4 SSCL4	TXD4 SMOSI4 SSDA4

20.2.21 CS Output Enable Register (PFCSE)

Address(es): 0008 C100h

	b7	b6	b5	b4	b3	b2	b1	b0
	CS7E	CS6E	CS5E	CS4E	CS3E	CS2E	CS1E	CS0E
Value after reset:	0	0	0	0	0	0	0	0

Bit	Symbol	Bit Name	Description	R/W
b0	CS0E	CS0 Enable of PC7	0: Configures the PC7 as an I/O pin. 1: Configures the PC7 as an CS0# output pin.	R/W
b1	CS1E	CS1 Enable of PC6	0: Configures the PC6 as an I/O pin. 1: Configures the PC6 as an CS1# output pin.	R/W
b2	CS2E	CS2 Enable of P26	0: Configures the P26 as an I/O pin. 1: Configures the P26 as an CS2# output pin.	R/W
b3	CS3E	CS3 Enable of P27	0: Configures the P27 as an I/O pin. 1: Configures the P27 as an CS3# output pin.	R/W
b4	CS4E	CS0 Enable of P24	0: Configures the P24 as an I/O pin. 1: Configures the P24 as an CS0# output pin.	R/W
b5	CS5E	CS1 Enable of P25	0: Configures the P25 as an I/O pin. 1: Configures the P25 as an CS1# output pin.	R/W
b6	CS6E	CS2 Enable of PC5	0: Configures the PC5 as an I/O pin. 1: Configures the PC5 as an CS2# output pin.	R/W
b7	CS7E	CS3 Enable of PC4	0: Configures the PC4 as an I/O pin. 1: Configures the PC4 as an CS3# output pin.	R/W

The PFCSE register selects enabling or disabling of the CS_n# (n = 0 to 3) outputs.

If CS_n signals are to be output, set the external bus enable (EXBE) bit in system control register 0 (SYSCR0) to 1 after setting the PFCSE register. See section 3.2.3, System Control Register 0 (SYSCR0), for more information on the SYSCR0.EXBE bit.

Table 20.46 lists the settings for CS2# output or WAIT# input through PC5.

Table 20.46 How to Set CS2# Output or WAIT# Input through PC5

External Bus Enable Bit (SYSCR0.EXBE) Enabled	External Bus Control Register 1 (PFBCR1) WAITS[1:0] Bit	
	10	Setting other than left
CS Output Enable Register (PFCSE) CS6E Bit	1	*1 CS2# (output)
	0	WAIT# (input) *2

Note 1. Do not make this setting.

Note 2. This can be switched between general-port and peripheral-module functions.

20.2.22 Address Output Enable Register 0 (PFAOE0)

Address(es): 0008 C104h

	b7	b6	b5	b4	b3	b2	b1	b0
	A15E	A14E	A13E	A12E	A11E	A10E	A9E	A8E
Value after reset:	0	0	0	0	0	0	0	0

Bit	Symbol	Bit Name	Description	R/W
b0	A8E	Address A8 Output Enable	0: Disables A8 output. 1: Enables A8 output.	R/W
b1	A9E	Address A9 Output Enable	0: Disables A9 output. 1: Enables A9 output.	R/W
b2	A10E	Address A10 Output Enable	0: Disables A10 output. 1: Enables A10 output.	R/W
b3	A11E	Address A11 Output Enable	0: Disables A11 output. 1: Enables A11 output.	R/W
b4	A12E	Address A12 Output Enable	0: Disables A12 output. 1: Enables A12 output.	R/W
b5	A13E	Address A13 Output Enable	0: Disables A13 output. 1: Enables A13 output.	R/W
b6	A14E	Address A14 Output Enable	0: Disables A14 output. 1: Enables A14 output.	R/W
b7	A15E	Address A15 Output Enable	0: Disables A15 output. 1: Enables A15 output.	R/W

The PFAOE0 register selects enabling or disabling of address output.

AnE Bit (Address An Output Enable) (n = 8 to 15)

Each bit enables or disables output of the corresponding address signal (An).

When An signals are to be output, set the external bus enable (EXBE) bit in system control register 0 (SYSCR0) to 1 after setting the PFAOE0 register. See section 3.2.3, System Control Register 0 (SYSCR0), for more information on the SYSCR0.EXBE bit.

20.2.23 Address Output Enable Register 1 (PFAOE1)

Address(es): 0008 C105h

	b7	b6	b5	b4	b3	b2	b1	b0
	A23E	A22E	A21E	A20E	A19E	A18E	A17E	A16E
Value after reset:	0	0	0	0	0	0	0	0

Bit	Symbol	Bit Name	Description	R/W
b0	A16E	Address A16 Output Enable	0: Disables A16 output. 1: Enables A16 output.	R/W
b1	A17E	Address A17 Output Enable	0: Disables A17 output. 1: Enables A17 output.	R/W
b2	A18E	Address A18 Output Enable	0: Disables A18 output. 1: Enables A18 output.	R/W
b3	A19E	Address A19 Output Enable	0: Disables A19 output. 1: Enables A19 output.	R/W
b4	A20E	Address A20 Output Enable	0: Disables A20 output. 1: Enables A20 output.	R/W
b5	A21E	Address A21 Output Enable	0: Disables A21 output. 1: Enables A21 output.	R/W
b6	A22E	Address A22 Output Enable	0: Disables A22 output. 1: Enables A22 output.	R/W
b7	A23E	Address A23 Output Enable	0: Disables A23 output. 1: Enables A23 output.	R/W

The PFAOE1 register selects enabling or disabling of address output.

AnE Bit (Address An Output Enable) (n = 16 to 23)

Each bit enables or disables output of the corresponding address signal (An).

When An signals are to be output, set the external bus enable (EXBE) bit in system control register 0 (SYSCR0) to 1 after setting the PFAOE1 register. See section 3.2.3, System Control Register 0 (SYSCR0), for more information on the SYSCR0.EXBE bit.

20.2.24 External Bus Control Register 0 (PFBCR0)

Address(es): 0008 C106h

b7	b6	b5	b4	b3	b2	b1	b0
—	WR1BC1E	—	DHE	—	—	—	ADRLE
Value after reset:	0	0	0	0	0	0	0

Bit	Symbol	Bit Name	Description	R/W
b0	ADRLE	A0 to A7 Output Enable	0: Configures PA0 to PA7 as the I/O port pins. 1: Configures PA0 to PA7 as the external address bus A0 to A7.	R/W
b3 to b1	—	Reserved	These bits are read as 0. The write value should be 0.	R/W
b4	DHE	D8 to D15 Output Enable	0: Configures PE0 to PE7 as the I/O port pins. 1: Configures PE0 to PE7 as the external data bus D8 to D15.	R/W
b5	—	Reserved	This bit is read as 0. The write value should be 0.	R/W
b6	WR1BC1E	WR1#/BC1# Output Enable	0: Configures P51 as the I/O port pin. 1: Configures P51 as the WR1# or BC1# pin.	R/W
b7	—	Reserved	This bit is read as 0. The write value should be 0.	R/W

The PFBCR0 register controls input/output pins for the external bus.

ADRLE Bit (A0 to A7 Output Enable)

This bit selects enabling or disabling of output of the A0 to A7 signals for the address bus.

DHE Bit (D8 to D15 Output Enable)

This bit selects enabling or disabling of output of the D8 to D15 signals for the data bus.

Ensure that the setting corresponds to the external bus width as set by the external bus width selection bits (BSIZE[1:0]) in the CSi control register (CSnCR). Operation cannot be guaranteed if the DHE bit is set to 0 while the setting is for a 16-bit external bus. Regarding the CSnCR.BSIZE[1:0] bits, see section 15.3.1, CSn Control Register (CSnCR) (n = 0 to 3).

WR1BC1E Bit (WR1#/BC1# Output Enable)

This bit selects enabling or disabling of output of the WR1#/BC1# signals.

To enable the data D8 to D15 and output of WR1#/BC1#, set the external bus enable (EXBE) bit in system control register 0 (SYSCR0) to 1 after setting the PFBCR0 register. See section 3.2.3, System Control Register 0 (SYSCR0), for more information on the SYSCR0.EXBE bit.

Table 20.47 shows how to set WR1#/BC1# output or WAIT# input through P51.

Table 20.47 How to Set WR1#/BC1# Output or WAIT# Input through P51

External Bus Enable Bit (SYSCR0.EXBE) Enabled	External Bus Control Register1 (PFBCR1) WAITS[1:0] Bit		
	11	Setting other than left	
External bus control register 0 (PFBCR0) WR1BC1E Bit	1	*1	WR1#/BC1# (output)
	0	WAIT# (input)	*2

Note 1. Do not make this setting.

Note 2. This can be switched between general-port and peripheral-module functions.

20.2.25 External Bus Control Register 1 (PFBCR1)

Address(es): 0008 C107h



Bit	Symbol	Bit Name	Description	R/W
b1, b0	WAITS[1:0]	WAIT Select	b1 b0 0 0: Setting prohibited.*1 0 1: Configures P55 as the WAIT# input pin. 1 0: Configures PC5 as the WAIT# input pin. 1 1: Configures P51 as the WAIT# input pin.	R/W
b2	ALEOE	ALE Output Enable	0: Configures P54 as an I/O port pin. 1: Configures P54 as the ALE output pin.	R/W
b7 to b3	—	Reserved	These bits are read as 0. The write value should be 0.	R/W

Note 1. P55 is used as the WAIT# input pin even if these bits are set to 00b.

The PFBCR1 register selects enabling or disabling of address output.

WAITS[1:0] Bits (WAIT Selection)

The port pin specified by the WAIT[1:0] bits becomes the WAIT# pin when the external bus is enabled. However, if the specified port pin is not to be used as the WAIT# pin, the external wait enable bit (EWENB) in the CSn mode register (CSnMOD) can be cleared (disabling external wait) to make the pin available for use as a general input port pin.

When the WAIT# signal is to be input, set the external bus enable (EXBE) bit in system control register 0 (SYSCR0) to 1 after setting the PFBCR1 register. See section 3.2.3, System Control Register 0 (SYSCR0), for more information on the SYSCR0.EXBE bit.

Table 20.48 shows how to set CS2# output and WAIT# input through PC5 and Table 20.49 shows how to set WR1#/BC1# output or WAIT# input through P51.

Table 20.48 How to Set CS2# Output or WAIT# Input through PC5

External Bus Enable Bit (SYSCR0.EXBE) Enabled	External Bus Control Register 1 (PFBCR1) WAITS[1:0] Bit		
	10	Setting other than left	
CS Output Enable Register (PFCSE) CS6E Bit	1	*1	CS2# (output)
	0	WAIT# (input)	*2

Table 20.49 How to Set WR1#/BC1# Output or WAIT# Input through P51

External Bus Enable Bit (SYSCR0.EXBE) Enabled	External Bus Control Register 1 (PFBCR1) WAITS[1:0] Bit		
	11	Setting other than left	
External bus control register 0 (PFBCR0) WR1BC1E Bit	1	*1	WR1#/BC1# (output)
	0	WAIT# (input)	*2

Note 1. Do not make this setting.

Note 2. This can be switched between general-port and peripheral-module functions.

20.3 Settings for the External Bus Interface

To use the external bus interface, set the MPC registers as listed in Table 20.50 and set the external bus enable bit in system control register 0 (SYSCR0.EXBE) to 1.

Table 20.50 shows how to make external bus interface settings for the various port pins.

Refer to the description of the register for details on a given external bus interface control register.

Table 20.50 Setting up the External Bus Interface (1 / 2)

Port	Module Name	Signal Name	External Bus Interface Control Register
P24	External bus (CS)	CS0#	PFCSE.CS4E = 1
P25	External bus (CS)	CS1#	PFCSE.CS5E = 1
P26	External bus (CS)	CS2#	PFCSE.CS2E = 1
P27	External bus (CS)	CS3#	PFCSE.CS3E = 1
P50	External bus	WR# WR0#	
P51	External bus	WR1# BC1#	PFBCR0.WR1BC1E = 1 PFBCR1.WAITS[1:0] = 00, 01, or 10
	External bus (WAIT)	WAIT#	PFBCR0.WR1BCE = 0 PFBCR1.WAITS[1:0] = 11
P52	External bus	RD#	
P53	External bus	BCLK	
P54	External bus	ALE	PFBCR1.ALEOE=1
P55	External bus (WAIT)	WAIT#	PFBCR1.WAITS[1:0] = 00 or 01
PA0	External bus (address)	A0 BC0#	PFBCR0.ADRLE=1
PA1	External bus (address)	A1	PFBCR0.ADRLE=1
PA2	External bus (address)	A2	PFBCR0.ADRLE=1
PA3	External bus (address)	A3	PFBCR0.ADRLE=1
PA4	External bus (address)	A4	PFBCR0.ADRLE=1
PA5	External bus (address)	A5	PFBCR0.ADRLE=1
PA6	External bus (address)	A6	PFBCR0.ADRLE=1
PA7	External bus (address)	A7	PFBCR0.ADRLE=1
PB0	External bus (address)	A8	PFAOE0.A8E = 1
PB1	External bus (address)	A9	PFAOE0.A9E = 1
PB2	External bus (address)	A10	PFAOE0.A10E = 1
PB3	External bus (address)	A11	PFAOE0.A11E = 1
PB4	External bus (address)	A12	PFAOE0.A12E = 1
PB5	External bus (address)	A13	PFAOE0.A13E = 1
PB6	External bus (address)	A14	PFAOE0.A14E = 1
PB7	External bus (address)	A15	PFAOE0.A15E = 1
PC0	External bus (address)	A16	PFAOE1.A16E = 1
PC1	External bus (address)	A17	PFAOE1.A17E = 1
PC2	External bus (address)	A18	PFAOE1.A18E = 1
PC3	External bus (address)	A19	PFAOE1.A19E = 1
PC4	External bus (address)	A20	PFAOE1.A20E = 1 PFCSE.CS7E = 0
	External bus (CS)	CS3#	PFAOE1.A20E = 0 PFCSE.CS7E = 1

Table 20.50 Setting up the External Bus Interface (2 / 2)

Port	Module Name	Signal Name	External Bus Interface Control Register
PC5	External bus (address)	A21	PFAOE1.A21E = 1 PFCSE.CS6E = 0 PFBCR1.WAITS[1:0] = 00, 01, or 11
	External bus (CS)	CS2#	PFAOE1.A21E = 0 PFCSE.CS6E = 1 PFBCR1.WAITS[1:0] = 00, 01, or 11
	External bus (WAIT)	WAIT#	PFAOE1.A21E = 0 PFCSE.CS6E = 0 PFBCR1.WAITS[1:0] = 10
PC6	External bus (address)	A22	PFAOE1.A22E = 1 PFCSE.CS1E = 0
	External bus (CS)	CS1#	PFAOE1.A22E = 0 PFCSE.CS1E = 1
PC7	External bus (address)	A23	PFAOE1.A23E = 1 PFCSE.CS0E = 0
	External bus (CS)	CS0#	PFAOE1.A23E = 0 PFCSE.CS0E = 1
PD0	External bus (data)	D0	
PD1	External bus (data)	D1	
PD2	External bus (data)	D2	
PD3	External bus (data)	D3	
PD4	External bus (data)	D4	
PD5	External bus (data)	D5	
PD6	External bus (data)	D6	
PD7	External bus (data)	D7	
PE0	External bus (data)	D8	PFBCR0.DHE = 1
PE1	External bus (data)	D9	PFBCR0.DHE = 1
PE2	External bus (data)	D10	PFBCR0.DHE = 1
PE3	External bus (data)	D11	PFBCR0.DHE = 1
PE4	External bus (data)	D12	PFBCR0.DHE = 1
PE5	External bus (data)	D13	PFBCR0.DHE = 1
PE6	External bus (data)	D14	PFBCR0.DHE = 1
PE7	External bus (data)	D15	PFBCR0.DHE = 1

20.4 Usage Notes

20.4.1 Procedure for Specifying Input/Output Pin Function

Use the following procedure to specify the input/output pin functions.

- (1) Clear the port mode register (PMR) to 0 to select the general I/O port function.
- (2) Specify the assignments of input/output signals for peripheral functions to the desired pins.
- (3) Enable writing to the Pmn pin function control register (PmnPFS) through the write-protect register (PWPR) setting. (m = 0 to 9, A to F, H, J, K; n = 0 to 7)
- (4) Specify the input/output function for the pin through the PSEL[3:0] bit settings in the PmnPFS register.
- (5) Clear the PFSWE bit in the PWPR register to 0 to disable writing to the PmnPFS register.
- (6) Set the PMR to 1 as necessary to switch to the selected input/output function for the pin.

20.4.2 Notes on MPC Register Setting

- (1) Settings of the Pmn pin function control register (PmnPFS) should be made only while the PMR register for the target pin is cleared to 0. If a Pmn pin function control register is set while the PMR register is 1, unexpected edges may be input through the input pin or unexpected pulses are output through the output pin.
- (2) Only the allowed values (functions) should be specified in the Pmn pin function control registers. If a value that is not allowed for the register is specified, correct operation is not guaranteed.
- (3) Do not assign a single function to multiple pins through the MPC settings.
- (4) Analog input functions for the A/D converter are multiplexed with pins of ports 4 and E. If a pin is to be used as an analog input, avoid loss of resolution by setting the given bits of the port mode register (PMR) and of the port direction register (PDR) to 0, i.e. configuring the pin as a general-purpose input, and setting the PmnPFS.ASEL bit to 1.
- (5) Values of the TCEN time capture event input pin enable bits of time capture control registers y (RTCCRy, y = 0 to 2) are not defined after a reset. To prohibit unwanted input, set these bits to 0.

- (6) Points to note regarding the port mode register (PMR), port direction register (PDR), and Pmn pin function control register (PmnPFS) settings for pins that have multiplexed pin functions are listed in Table 20.51.

Table 20.51 Register Settings

Item	PMR.B n	PDR.B n	PmnPFS			Point to Note
			ASEL	ISEL	PSEL[3:0]	
After a reset	0	0	0	0	0000b	Pins function as general input port pins after release from the reset state.
General input ports	0	0	0	0/1	x	Set the ISEL bit to 1 if these are multiplexed with interrupt inputs.
General output ports	0	1	0	0	x	
Peripheral functions	1	x	0	0/1	Peripheral functions (see Table 20.2 to Table 20.45)	Set the ISEL bit to 1 if these are multiplexed with interrupt inputs.
Interrupt inputs	0	0	0	1	x	
NMI	x	x	x	x*1	x	Register settings are not required.
Analog inputs and outputs	0	0	1	x*1	x	Set these as general input port pins so that the output buffers are turned off.
RTC time-capture event-input pins	0	0	x	0/1	x	Set these as general input port pins so that the output buffers are turned off.
External bus	0	0	0	0	x	Set the PMR.Bn bit to 0 to deselect peripheral functions.
EXTAL/XTAL	0	0	x	x*1	x	Set these as general input port pins so that the output buffers are turned off.
XCIN/XCOUT	0	0	x	x*1	x	Set these as general input port pins so that the output buffers are turned off.

x: Setting not required.

0/1: Setting the PmnPFS.ISEL bit to 0 makes the pin incapable of functioning as an IRQ pin.

Setting the PmnPFS.ISEL bit to 1 makes the pin capable of functioning as an IRQ pin (if the IRQ is selected from the multiplexed functions).

Note 1. The pin does not function as the IRQn input pin even if the PmnPFS.ISEL bit is set to 1.

Note: • The pin state is readable when the PmnPFS.ASEL bit is 0.

Note: • If the value of the PmnPFS.PSEL[3:0] bits is to be changed, do so while the PMR.Bn bit is 0.

Note: • If an RIIC function is assigned to a port pin, clear the PCR.Bn (to 0); pulling up is automatically turned off for outputs from peripheral modules other than the RIIC.

Note: • If an input pin for time-capture events is not in use, clear the time capture event input pin enable bit (TCEN) in time capture control register y (RTCCRy) to 0 (disabled).

Note: • Do not make settings to assign multiple external bus signals to a single pin.

20.4.3 Note on Using Analog Functions

- (1) When an analog function is in use, configure the pin as a general-purpose input by setting the given bits of the port mode register (PMR) and of the port direction register (PDR) to 0, and then set the ASEL bit in the Pmn pin function control register (PmnPFS) to 1.

21. Multi-Function Timer Pulse Unit 2 (MTU2a)

21.1 Overview

The RX210 Group has a on-chip multi-function timer pulse unit 2 (MTU). Each unit comprises a 16-bit timer with six channels (MTU0 to MTU5).

Table 21.1 lists the specifications of the MTU, Table 21.2 lists the function list. Figure 21.1 shows a block diagram of the MTU.

Table 21.1 Specifications of MTU

Item	Description
Pulse input/output	16 lines max.
Pulse input	3 lines
Count clock	Eight clocks or seven clocks for each channel (four clocks for MTU5)
Available operations	<p>[MTU0 to MTU4]</p> <ul style="list-style-type: none"> • Waveform output at compare match • Input capture function (noise filter set function) • Counter clear operation • Simultaneous writing to multiple timer counters (TCNT) • Simultaneous clearing by compare match or input capture • Simultaneous register input/output by synchronous counter operation • A maximum of 12-phase PWM output is available in combination with synchronous operation <hr/> <p>[MTU0, MTU3, MTU4]</p> <ul style="list-style-type: none"> • Buffer operation specifiable • AC synchronous motor (brushless DC motor) drive mode using complementary PWM output and reset-synchronized PWM output is settable and the selection of two types of waveform outputs (chopping and level) is possible. <hr/> <p>[MTU1, MTU2]</p> <ul style="list-style-type: none"> • Phase counting mode specifiable independently • Cascade connection operation <hr/> <p>[MTU3, MTU4]</p> <ul style="list-style-type: none"> • A total of six-phase waveform output, which includes three phases each for positive and negative complementary PWM or reset PWM output, by interlocking operation <hr/> <p>[MTU5]</p> <ul style="list-style-type: none"> • Dead time compensation counter
Complementary PWM mode	<ul style="list-style-type: none"> • Interrupts at the crest and trough of the counter value • A/D converter start triggers can be skipped
Interrupt sources	28 sources
Buffer operation	Automatic transfer of register data
Trigger generation	A/D converter start trigger can be generated
Lower power consumption function	Module stop state can be set.

Table 21.2 MTU Functions (1/3)

Item	MTU0	MTU1	MTU2	MTU3	MTU4	MTU5
Count clock	PCLK/1 PCLK/4 PCLK/16 PCLK/64 MTCLKA MTCLKB MTCLKC MTCLKD	PCLK/1 PCLK/4 PCLK/16 PCLK/64 PCLK/256 MTCLKA MTCLKB	PCLK/1 PCLK/4 PCLK/16 PCLK/64 PCLK/1024 MTCLKA MTCLKB MTCLKC	PCLK/1 PCLK/4 PCLK/16 PCLK/64 PCLK/256 PCLK/1024 MTCLKB MTCLKC	PCLK/1 PCLK/4 PCLK/16 PCLK/64 PCLK/256 PCLK/1024 MTCLKA MTCLKB	PCLK/1 PCLK/4 PCLK/16 PCLK/64 — TGRU TGRV TGRW
General registers (TGR)	TGRA TGRB TGRE	TGRA TGRB	TGRA TGRB	TGRA TGRB	TGRA TGRB	—
General registers/ buffer registers	TGRC TGRD TGRF	—	—	TGRC TGRD	TGRC TGRD	—
I/O pins	MTIOC0A MTIOC0B MTIOC0C MTIOC0D	MTIOC1A MTIOC1B	MTIOC2A MTIOC2B	MTIOC3A MTIOC3B MTIOC3C MTIOC3D	MTIOC4A MTIOC4B MTIOC4C MTIOC4D	Input pins MTIC5U MTIC5V MTIC5W
Counter clear function	TGR compare match or input capture	TGR compare match or input capture	TGR compare match or input capture	TGR compare match or input capture	TGR compare match or input capture	TGR compare match or input capture
Compare match output	Low output	○	○	○	○	○
	High output	○	○	○	○	○
	Toggle output	○	○	○	○	○
Input capture function	○	○	○	○	○	○
Synchronous operation	○	○	○	○	○	—
PWM mode 1	○	○	○	○	○	—
PWM mode 2	○	○	○	—	—	—
Complementary PWM mode	—	—	—	○	○	—
Reset-synchronized PWM	—	—	—	○	○	—
AC synchronous motor drive mode	○	—	—	○	○	—
Phase counting mode	—	○	○	—	—	—
Buffer operation	○	—	—	○	○	—
Dead time compensation counter function	—	—	—	—	—	○
DMAC activation	TGRA compare match or input capture	TGRA compare match or input capture	TGRA compare match or input capture	TGRA compare match or input capture	TGRA compare match or input capture	—
DTC activation	TGR compare match or input capture	TGR compare match or input capture	TGR compare match or input capture	TGR compare match or input capture	TGR compare match or input capture and TCNT overflow or underflow	TGR compare match or input capture

Table 21.2 MTU Functions (2/3)

Item	MTU0	MTU1	MTU2	MTU3	MTU4	MTU5
A/D converter start trigger	TGRA compare match or input capture TGRB compare match or input capture TGRE compare match TGRF compare match	TGRA compare match or input capture	TGRA compare match or input capture	TGRA compare match or input capture	TGRA compare match or input capture TCNT underflow (trough) in complementary PWM mode	—
Interrupt sources	7 sources <ul style="list-style-type: none"> • Compare match or input capture 0A • Compare match or input capture 0B • Compare match or input capture 0C • Compare match or input capture 0D • Compare match 0E • Compare match 0F • Overflow 	4 sources <ul style="list-style-type: none"> • Compare match or input capture 1A • Compare match or input capture 1B • Overflow • Underflow 	4 sources <ul style="list-style-type: none"> • Compare match or input capture 2A • Compare match or input capture 2B • Overflow • Underflow 	5 sources <ul style="list-style-type: none"> • Compare match or input capture 3A • Compare match or input capture 3B • Compare match or input capture 3C • Compare match or input capture 3D • Overflow 	5 sources <ul style="list-style-type: none"> • Compare match or input capture 4A • Compare match or input capture 4B • Compare match or input capture 4C • Compare match or input capture 4D • Overflow or underflow 	3 sources <ul style="list-style-type: none"> • Compare match or input capture 5U • Compare match or input capture 5V • Compare match or input capture 5W
Event link function (output)	—	4 sources <ul style="list-style-type: none"> • Compare match 1A • Compare match 1B • Overflow • Underflow 	4 sources <ul style="list-style-type: none"> • Compare match 2A • Compare match 2B • Overflow • Underflow 	6 sources <ul style="list-style-type: none"> • Compare match 3A • Compare match 3B • Compare match 3C • Compare match 3D • Overflow • Underflow 	6 sources <ul style="list-style-type: none"> • Compare match 4A • Compare match 4B • Compare match 4C • Compare match 4D • Overflow • Underflow 	—
Event link function (input)	—	(1) Count start operation (2) Input capture operation (TRGA capture) (3) Count restart operation	(1) Count start operation (2) Input capture operation (TRGA capture) (3) Count restart operation	(1) Count start operation (2) Input capture operation (TRGA capture) (3) Count restart operation	(1) Count start operation (2) Input capture operation (TRGA capture) (3) Count restart operation	—
A/D converter start request delaying function	—	—	—	—	• A/D converter start request at a match between TADCORA and TCNT or A/D converter start request at a match between TADCORB and TCNT	—

Table 21.2 MTU Functions (3/3)

Item	MTU0	MTU1	MTU2	MTU3	MTU4	MTU5
Interrupt skipping function	—	—	—	• Skips TGRA compare match interrupts	• Skips TCIV interrupts	—
Module stop function	MSTPCRA.MSTPA9*1					

○: Possible

—: Not possible

Note 1. For details on the module stop function, see section 11, Low Power Consumption.

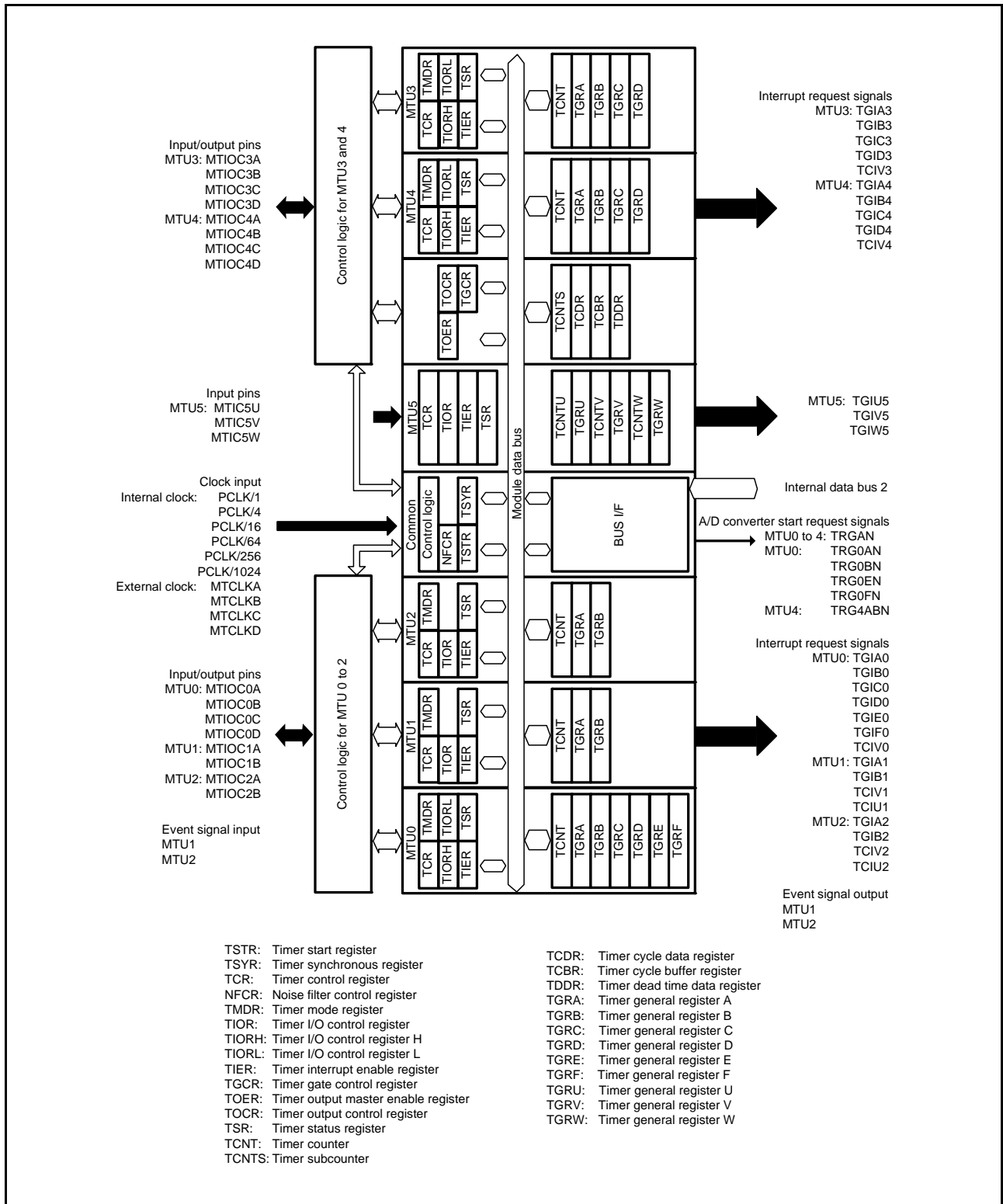


Figure 21.1 Block Diagram of MTU

Table 21.3 lists the pin configuration of the MTU.

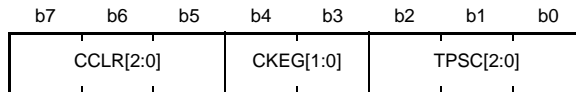
Table 21.3 Pin Configuration of MTU

Module Symbol	Pin Name	I/O	Function
MTU	MTCLKA	Input	External clock A input pin (MTU1 phase counting mode A phase input)
	MTCLKB	Input	External clock B input pin (MTU1 phase counting mode B phase input)
	MTCLKC	Input	External clock C input pin (MTU2 phase counting mode A phase input)
	MTCLKD	Input	External clock D input pin (MTU2 phase counting mode B phase input)
MTU0	MTIOC0A	I/O	TGRA0 input capture input/output compare output/PWM output pin
	MTIOC0B	I/O	TGRB0 input capture input/output compare output/PWM output pin
	MTIOC0C	I/O	TGRC0 input capture input/output compare output/PWM output pin
	MTIOC0D	I/O	TGRD0 input capture input/output compare output/PWM output pin
MTU1	MTIOC1A	I/O	TGRA1 input capture input/output compare output/PWM output pin
	MTIOC1B	I/O	TGRB1 input capture input/output compare output/PWM output pin
MTU2	MTIOC2A	I/O	TGRA2 input capture input/output compare output/PWM output pin
	MTIOC2B	I/O	TGRB2 input capture input/output compare output/PWM output pin
MTU3	MTIOC3A	I/O	TGRA3 input capture input/output compare output/PWM output pin
	MTIOC3B	I/O	TGRB3 input capture input/output compare output/PWM output pin
	MTIOC3C	I/O	TGRC3 input capture input/output compare output/PWM output pin
	MTIOC3D	I/O	TGRD3 input capture input/output compare output/PWM output pin
MTU4	MTIOC4A	I/O	TGRA4 input capture input/output compare output/PWM output pin
	MTIOC4B	I/O	TGRB4 input capture input/output compare output/PWM output pin
	MTIOC4C	I/O	TGRC4 input capture input/output compare output/PWM output pin
	MTIOC4D	I/O	TGRD4 input capture input/output compare output/PWM output pin
MTU5	MTIC5U	Input	TGRU5 input capture input/external pulse input pin
	MTIC5V	Input	TGRV5 input capture input/external pulse input pin
	MTIC5W	Input	TGRW5 input capture input/external pulse input pin

21.2 Register Descriptions

21.2.1 Timer Control Register (TCR)

Address(es): MTU0.TCR 0008 8700h, MTU1.TCR 0008 8780h, MTU2.TCR 0008 8800h, MTU3.TCR 0008 8600h, MTU4.TCR 0008 8601h, MTU5.TCRU 0008 8884h, MTU5.TCRV 0008 8894h, MTU5.TCRW 0008 88A4h



Value after reset: 0 0 0 0 0 0 0 0

Bit	Symbol	Bit Name	Description	R/W
b2 to b0	TPSC[2:0]	Time Prescaler Select	See Table 21.6 to Table 21.10.	R/W
b4, b3	CKEG[1:0]	Clock Edge Select	b4 b3 0 0: Count at rising edge 0 1: Count at falling edge 1 x: Count at both edges	R/W
b7 to b5	CCLR[2:0]	Counter Clear	See Table 21.4 and Table 21.5.	R/W

x: Don't care

The MTU has a total of eight TCR registers, one each for MTU0 to MTU4 and three (TCRU, TCRV, and TCRW) for MTU5.

TCR is an 8-bit readable/writable register that controls the TCNT operation for each channel. TCR values should be specified only while TCNT operation is stopped.

TPSC[2:0] Bits (Time Prescaler Select)

These bits select the TCNT counter clock. The clock source can be selected independently for each channel. See Table 21.6 to Table 21.10 for details.

CKEG[1:0] Bits (Clock Edge Select)

These bits select the input clock edge. When the input clock is counted at both edges, the input clock period is halved (e.g. PCLK/4 at both edges = PCLK/2 at rising edge). If phase counting mode is used on MTU1 and MTU2, the setting of these bits is ignored and the phase counting mode setting has priority. Internal clock edge selection is valid when the input clock is PCLK/4 or slower. When PCLK/1 or the overflow/underflow in another channel is selected for the input clock, a value can be written to these bits but counter operation compiles with the initial value.

CCLR[2:0] Bits (Counter Clear)

These bits select the TCNT counter clearing source. See Table 21.4 and Table 21.5 for details.

Table 21.4 CCLR[2:0] (MTU0, MTU3, and MTU4)

Channel	Bit 7	Bit 6	Bit 5	Description
	CCLR2	CCLR1	CCLR0	
MTU0, MTU3, MTU4	0	0	0	TCNT clearing disabled
	0	0	1	TCNT cleared by TGRA compare match/input capture
	0	1	0	TCNT cleared by TGRB compare match/input capture
	0	1	1	TCNT cleared by counter clearing in another channel performing synchronous clearing/synchronous operation*1
	1	0	0	TCNT clearing disabled
	1	0	1	TCNT cleared by TGRC compare match/input capture*2
	1	1	0	TCNT cleared by TGRD compare match/input capture*2
	1	1	1	TCNT cleared by counter clearing in another channel performing synchronous clearing/synchronous operation*1

Note 1. Synchronous operation is selected by setting the TSYR.SYNC bit to 1.

Note 2. When TGRC or TGRD is used as a buffer register, TCNT is not cleared because the buffer register setting has priority and compare match/input capture does not occur.

Table 21.5 CCLR[2:0] (MTU1 and MTU2)

Channel	Bit 7	Bit 6	Bit 5	Description
	Reserved*2	CCLR1	CCLR0	
MTU1, MTU2	0	0	0	TCNT clearing disabled
	0	0	1	TCNT cleared by TGRA compare match/input capture
	0	1	0	TCNT cleared by TGRB compare match/input capture
	0	1	1	TCNT cleared by counter clearing in another channel performing synchronous clearing/synchronous operation*1

Note 1. Synchronous operation is selected by setting the TSYR.SYNC bit to 1.

Note 2. Bit 7 is reserved in MTU1 and MTU2. This bit is read as 0. The write value should be 0.

Table 21.6 TPSC[2:0] (MTU0)

Channel	Bit 2	Bit 1	Bit 0	Description
	TPSC2	TPSC1	TPSC0	
MTU0	0	0	0	Internal clock: counts on PCLK/1
	0	0	1	Internal clock: counts on PCLK/4
	0	1	0	Internal clock: counts on PCLK/16
	0	1	1	Internal clock: counts on PCLK/64
	1	0	0	External clock: counts on MTCLKA pin input
	1	0	1	External clock: counts on MTCLKB pin input
	1	1	0	External clock: counts on MTCLKC pin input
	1	1	1	External clock: counts on MTCLKD pin input

Table 21.7 TPSC[2:0] (MTU1)

Channel	Bit 2	Bit 1	Bit 0	Description
	TPSC2	TPSC1	TPSC0	
MTU1	0	0	0	Internal clock: counts on PCLK/1
	0	0	1	Internal clock: counts on PCLK/4
	0	1	0	Internal clock: counts on PCLK/16
	0	1	1	Internal clock: counts on PCLK/64
	1	0	0	External clock: counts on MTCLKA pin input
	1	0	1	External clock: counts on MTCLKB pin input
	1	1	0	Internal clock: counts on PCLK/256
	1	1	1	Counts on MTU2.TCNT overflow/underflow

Note: • This setting is ignored when MTU1 is in phase counting mode.

Table 21.8 TPSC[2:0] (MTU2)

Channel	Bit 2	Bit 1	Bit 0	Description
	TPSC2	TPSC1	TPSC0	
MTU2	0	0	0	Internal clock: counts on PCLK/1
	0	0	1	Internal clock: counts on PCLK/4
	0	1	0	Internal clock: counts on PCLK/16
	0	1	1	Internal clock: counts on PCLK/64
	1	0	0	External clock: counts on MTCLKA pin input
	1	0	1	External clock: counts on MTCLKB pin input
	1	1	0	External clock: counts on MTCLKC pin input
	1	1	1	Internal clock: counts on PCLK/1024

Note: • This setting is ignored when MTU2 is in phase counting mode.

Table 21.9 TPSC[2:0] (MTU3 and MTU4)

Channel	Bit 2	Bit 1	Bit 0	Description
	TPSC2	TPSC1	TPSC0	
MTU3, MTU4	0	0	0	Internal clock: counts on PCLK/1
	0	0	1	Internal clock: counts on PCLK/4
	0	1	0	Internal clock: counts on PCLK/16
	0	1	1	Internal clock: counts on PCLK/64
	1	0	0	Internal clock: counts on PCLK/256
	1	0	1	Internal clock: counts on PCLK/1024
	1	1	0	External clock: counts on MTCLKA pin input
	1	1	1	External clock: counts on MTCLKB pin input

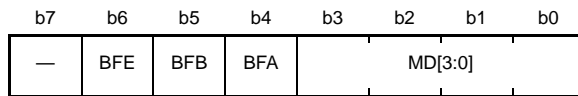
Table 21.10 TPSC[1:0] (MTU5)

Channel	Bit 1	Bit 0	Description
	TPSC1	TPSC0	
MTU5	0	0	Internal clock: counts on PCLK/1
	0	1	Internal clock: counts on PCLK/4
	1	0	Internal clock: counts on PCLK/16
	1	1	Internal clock: counts on PCLK/64

Note: • Bits 7 to 2 are reserved in MTU5. These bits are read as 0. The write value should be 0.

21.2.2 Timer Mode Register (TMDR)

Address(es): MTU0.TMDR 0008 8701h, MTU1.TMDR 0008 8781h, MTU2.TMDR 0008 8801h, MTU3.TMDR 0008 8602h,
MTU4.TMDR 0008 8603h



Value after reset: 0 0 0 0 0 0 0 0

Bit	Symbol	Bit Name	Description	R/W
b3 to b0	MD[3:0]	Mode Select	These bits specify the timer operating mode. See Table 21.11 for details.	R/W
b4	BFA	Buffer Operation A	0: TGRA and TGRC operate normally 1: TGRA and TGRC used together for buffer operation	R/W
b5	BFB	Buffer Operation B	0: TGRB and TGRD operate normally 1: TGRB and TGRD used together for buffer operation	R/W
b6	BFE	Buffer Operation E	0: MTU0.TGRE and MTU0.TGRF operate normally 1: MTU0.TGRE and MTU0.TGRF used together for buffer operation	R/W
b7	—	Reserved	This bit is read as 0. The write value should be 0.	R/W

TMDR is an 8-bit readable/writable register that specifies the operating mode of each channel. TMDR values should be specified only while TCNT operation is stopped.

Table 21.11 Operating Mode Setting by MD[3:0] Bits

Bit 3	Bit 2	Bit 1	Bit 0	Description
MD3	MD2	MD1	MD0	
0	0	0	0	Normal mode
0	0	0	1	Setting prohibited
0	0	1	0	PWM mode 1
0	0	1	1	PWM mode 2*1
0	1	0	0	Phase counting mode 1*2
0	1	0	1	Phase counting mode 2*2
0	1	1	0	Phase counting mode 3*2
0	1	1	1	Phase counting mode 4*2
1	0	0	0	Reset-synchronized PWM mode*3
1	0	0	1	Setting prohibited
1	0	1	x	Setting prohibited
1	1	0	0	Setting prohibited
1	1	0	1	Complementary PWM mode 1 (transfer at crest)*3
1	1	1	0	Complementary PWM mode 2 (transfer at trough)*3
1	1	1	1	Complementary PWM mode 3 (transfer at crest and trough)*3

x: Don't care

Note 1. PWM mode 2 cannot be set for MTU3 and MTU4.

Note 2. Phase counting mode cannot be set for MTU0, MTU3, and MTU4.

Note 3. Reset-synchronized PWM mode and complementary PWM mode can only be set for MTU3.

When MTU3 is set to reset-synchronized PWM mode or complementary PWM mode, the MTU4 settings become ineffective and conform to the MTU3 setting, respectively. The initial values should be set for MTU4.

Reset-synchronized PWM mode and complementary PWM mode cannot be set for MTU0, MTU1 and MTU2.

BFA Bit (Buffer Operation A)

This bit specifies normal operation for TGRA or buffered operation of the combination of TGRA and TGRC. When TGRC is used as a buffer register, TGRC input capture/output compare does not take place in modes other than complementary PWM mode, but compare match with TGRC occurs in complementary PWM mode. If a compare match occurs on MTU4 in the Tb interval in complementary PWM mode, the TGIEC bit in timer interrupt enable register (MTU4.TIER) should be cleared to 0.

When MTU3 or MTU4 is set to reset-synchronized PWM mode or complementary PWM mode, the buffer operation conforms to the MTU3 setting. Set the BFA bit in MTU4.TMDR to 0.

In MTU1 and MTU2, which have no TGRC, this bit is reserved. It is read as 0. The write value should be 0. Refer to Figure 21.40 for an illustration of the Tb interval in complementary PWM mode.

BFB Bit (Buffer Operation B)

This bit specifies normal operation for TGRB or buffered operation of the combination of TGRB and TGRD. When TGRD is used as a buffer register, TGRD input capture/output compare does not take place in modes other than complementary PWM mode, but compare match with TGRD occurs in complementary PWM mode. If a compare match occurs in the Tb interval in complementary PWM mode, the TGIED bit in timer interrupt enable register 3 or 4 (MTU3.TIER or MTU4.TIER) should be cleared to 0.

When MTU3 or MTU4 is set to reset-synchronized PWM mode or complementary PWM mode, the buffer operation conforms to the MTU3 setting. Set the TMDR.BFB bit in MTU4 to 0.

In MTU1 and MTU2, which have no TGRD, this bit is reserved. It is read as 0. The write value should be 0. Refer to Figure 21.40 for an illustration of the Tb interval in complementary PWM mode.

BFE Bit (Buffer Operation E)

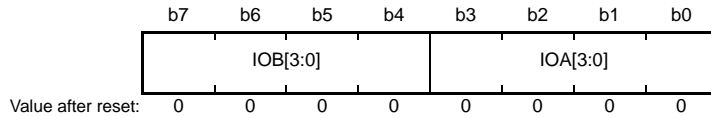
This bit specifies normal operation or buffered operation for MTU0.TGRE and MTU0.TGRF. Compare match with TGRF occurs even when TGRF is used as a buffer register.

In MTU1 to MTU4, this bit is reserved. It is read as 0. The write value should be 0.

21.2.3 Timer I/O Control Register (TIOR)

- MTU0.TIORH, MTU1.TIOR, MTU2.TIOR, MTU3.TIORH, MTU4.TIORH

Address(es): MTU0.TIORH 0008 8702h, MTU1.TIOR 0008 8782h, MTU2.TIOR 0008 8802h, MTU3.TIORH 0008 8604h, MTU4.TIORH 0008 8606h

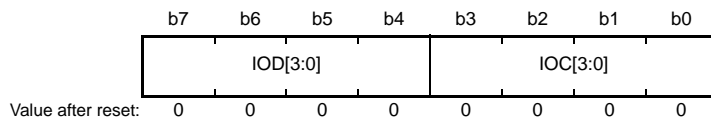


Bit	Symbol	Bit Name	Description	R/W
b3 to b0	IOA[3:0]	I/O Control A	See the following tables.*1 MTU0.TIORH: Table 21.20 MTU1.TIOR: Table 21.22 MTU2.TIOR: Table 21.23 MTU3.TIORH: Table 21.24 MTU4.TIORH: Table 21.26	R/W
b7 to b4	IOB[3:0]	I/O Control B	See the following tables.*1 MTU0.TIORH: Table 21.12 MTU1.TIOR: Table 21.14 MTU2.TIOR: Table 21.15 MTU3.TIORH: Table 21.16 MTU4.TIORH: Table 21.18	R/W

Note 1. If the IO_n[3:0] (n = A, B) bits are changed to an “output prohibited” setting (0000b or 0100b) while output of the low or high level or toggling of the output in response to compare matches is in progress, the output becomes high impedance.

- MTU0.TIORL, MTU3.TIORL, MTU4.TIORL

Address(es): MTU0.TIORL 0008 8703h, MTU3.TIORL 0008 8605h, MTU4.TIORL 0008 8607h

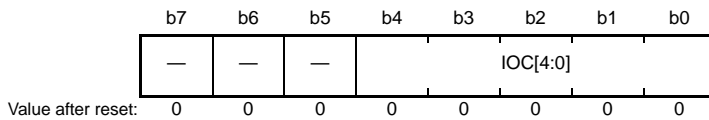


Bit	Symbol	Bit Name	Description	R/W
b3 to b0	IOC[3:0]	I/O Control C	See the following tables.*1 MTU0.TIORL: Table 21.21 MTU3.TIORL: Table 21.25 MTU4.TIORL: Table 21.27	R/W
b7 to b4	IOD[3:0]	I/O Control D	See the following tables.*1 MTU0.TIORL: Table 21.13 MTU3.TIORL: Table 21.17 MTU4.TIORL: Table 21.19	R/W

Note 1. If the IO_n[3:0] (n = C, D) bits are changed to an “output prohibited” setting (0000b or 0100b) while output of the low or high level or toggling of the output in response to compare matches is in progress, the output becomes high impedance.

- MTU5.TIORU, MTU5.TIORV, MTU5.TIORW

Address(es): MTU5.TIORU 0008 8886h, MTU5.TIORV 0008 8896h, MTU5.TIORW 0008 88A6h



Bit	Symbol	Bit Name	Description	R/W
b4 to b0	IOC[4:0]	I/O Control C	See the following table. MTU5.TIORU, MTU5.TIORV, MTU5.TIORW: Table 21.28	R/W
b7 to b5	—	Reserved	These bits are read as 0. The write value should be 0.	R/W

The MTU has a total of 11 TIOR registers, two each for MTU0, MTU3, and MTU4, one each for MTU1 and MTU2, and three (MTU5.TIORU/V/W) each for MTU5.

TIOR should be set when TMDR is set to select normal mode, PWM mode, or phase counting mode.

The initial output specified by TIOR is valid when the counter is stopped (the CST bit in TSTR is cleared to 0). Note also that, in PWM mode 2, the output at the point at which the counter is cleared to 0 is specified.

When TGRC or TGRD is designated for buffer operation, this setting is invalid and the register operates as a buffer register.

Table 21.12 TIORH (MTU0)

Bit 7	Bit 6	Bit 5	Bit 4	Description
IOB3	IOB2	IOB1	IOB0	MTU0.TGRB Function MTIOC0B Pin Function
0	0	0	0	Output compare register Output prohibited
0	0	0	1	Initial output is low. Low output at compare match.
0	0	1	0	Initial output is low. High output at compare match.
0	0	1	1	Initial output is low. Toggle output at compare match.
0	1	0	0	Output prohibited
0	1	0	1	Initial output is high. Low output at compare match.
0	1	1	0	Initial output is high. High output at compare match.
0	1	1	1	Initial output is high. Toggle output at compare match.
1	0	0	0	Input capture register Input capture at rising edge.
1	0	0	1	Input capture at falling edge.
1	0	1	x	Input capture at both edges.
1	1	x	x	Capture input source is count clock in MTU1. Input capture at MTU1.TCNT up-count/down-count.

x: Don't care

Table 21.13 TIORL (MTU0)

Bit 7	Bit 6	Bit 5	Bit 4	Description	
IOD3	IOD2	IOD1	IOD0	MTU0.TGRD Function	MTIOC0D Pin Function
0	0	0	0	Output compare register*1	Output prohibited
0	0	0	1		Initial output is low. Low output at compare match.
0	0	1	0		Initial output is low. High output at compare match.
0	0	1	1		Initial output is low. Toggle output at compare match.
0	1	0	0		Output prohibited
0	1	0	1		Initial output is high. Low output at compare match.
0	1	1	0		Initial output is high. High output at compare match.
0	1	1	1		Initial output is high. Toggle output at compare match.
1	0	0	0	Input capture register*1	Input capture at rising edge.
1	0	0	1		Input capture at falling edge.
1	0	1	x		Input capture at both edges.
1	1	x	x		Capture input source is count clock in MTU1. Input capture at MTU1.TCNT up-count/down-count.

x: Don't care

Note 1. When the MTU0.TMDR.BFB is set to 1 and MTU0.TGRD is used as a buffer register, this setting is invalid and input capture/output compare is not generated.

Table 21.14 TIOR (MTU1)

Bit 7	Bit 6	Bit 5	Bit 4	Description	
IOB3	IOB2	IOB1	IOB0	MTU1.TGRB Function	MTIOC1B Pin Function
0	0	0	0	MTU1.TGRB works as an output compare register	Output prohibited
0	0	0	1		Initial output is low. Low output at compare match.
0	0	1	0		Initial output is low. High output at compare match.
0	0	1	1		Initial output is low. Toggle output at compare match.
0	1	0	0		Output prohibited
0	1	0	1		Initial output is high. Low output at compare match.
0	1	1	0		Initial output is high. High output at compare match.
0	1	1	1		Initial output is high. Toggle output at compare match.
1	0	0	0	Input capture register	Input capture at rising edge.
1	0	0	1		Input capture at falling edge.
1	0	1	x		Input capture at both edges.
1	1	x	x		Input capture at generation of MTU0.TGRC compare match/input capture.

x: Don't care

Table 21.15 TIOR (MTU2)

Bit 7	Bit 6	Bit 5	Bit 4	Description	
IOB3	IOB2	IOB1	IOB0	MTU2.TGRB Function	MTIOC2B Pin Function
0	0	0	0	MTU2.TGRB works as an output compare register	Output prohibited
0	0	0	1		Initial output is low. Low output at compare match.
0	0	1	0		Initial output is low. High output at compare match.
0	0	1	1		Initial output is low. Toggle output at compare match.
0	1	0	0		Output prohibited
0	1	0	1		Initial output is high. Low output at compare match.
0	1	1	0		Initial output is high. High output at compare match.
0	1	1	1		Initial output is high. Toggle output at compare match.
1	x	0	0	Input capture register	Input capture at rising edge.
1	x	0	1		Input capture at falling edge.
1	x	1	x		Input capture at both edges.

x: Don't care

Table 21.16 TIORH (MTU3)

Bit 7	Bit 6	Bit 5	Bit 4	Description	
IOB3	IOB2	IOB1	IOB0	MTU3.TGRB Function	MTIOC3B Pin Function
0	0	0	0	Output compare register	Output prohibited
0	0	0	1		Initial output is low. Low output at compare match.
0	0	1	0		Initial output is low. High output at compare match.
0	0	1	1		Initial output is low. Toggle output at compare match.
0	1	0	0		Output prohibited
0	1	0	1		Initial output is high. Low output at compare match.
0	1	1	0		Initial output is high. High output at compare match.
0	1	1	1		Initial output is high. Toggle output at compare match.
1	x	0	0	Input capture register	Input capture at rising edge.
1	x	0	1		Input capture at falling edge.
1	x	1	x		Input capture at both edges.

x: Don't care

Table 21.17 TIORL (MTU3)

Bit 7	Bit 6	Bit 5	Bit 4	Description	
IOD3	IOD2	IOD1	IOD0	MTU3.TGRD Function	MTIOC3D Pin Function
0	0	0	0	Output compare register*1	Output prohibited
0	0	0	1		Initial output is low. Low output at compare match.
0	0	1	0		Initial output is low. High output at compare match.
0	0	1	1		Initial output is low. Toggle output at compare match.
0	1	0	0		Output prohibited
0	1	0	1		Initial output is high. Low output at compare match.
0	1	1	0		Initial output is high. High output at compare match.
0	1	1	1		Initial output is high. Toggle output at compare match.
1	x	0	0	Input capture register*1	Input capture at rising edge.
1	x	0	1		Input capture at falling edge.
1	x	1	x		Input capture at both edges.

x: Don't care

Note 1. When the BFB bit in MTU3.TMDR is set to 1 and MTU3.TGRD is used as a buffer register, this setting is invalid and input capture/output compare is not generated.

Table 21.18 TIORH (MTU4)

Bit 7	Bit 6	Bit 5	Bit 4	Description	
IOB3	IOB2	IOB1	IOB0	MTU4.TGRB Function	MTIOC4B Pin Function
0	0	0	0	MTU4.TGRB works as an output compare register	Output prohibited
0	0	0	1		Initial output is low. Low output at compare match.
0	0	1	0		Initial output is low. High output at compare match.
0	0	1	1		Initial output is low. Toggle output at compare match.
0	1	0	0		Output prohibited
0	1	0	1		Initial output is high. Low output at compare match.
0	1	1	0		Initial output is high. High output at compare match.
0	1	1	1		Initial output is high. Toggle output at compare match.
1	x	0	0	Input capture register	Input capture at rising edge.
1	x	0	1		Input capture at falling edge.
1	x	1	x		Input capture at both edges.

x: Don't care

Table 21.19 TIORL (MTU4)

Bit 7	Bit 6	Bit 5	Bit 4	Description	
IOD3	IOD2	IOD1	IOD0	MTU4.TGRD Function	MTIOC4D Pin Function
0	0	0	0	Output compare register*1	Output prohibited
0	0	0	1		Initial output is low. Low output at compare match.
0	0	1	0		Initial output is low. High output at compare match.
0	0	1	1		Initial output is low. Toggle output at compare match.
0	1	0	0		Output prohibited
0	1	0	1		Initial output is high. Low output at compare match.
0	1	1	0		Initial output is high. High output at compare match.
0	1	1	1		Initial output is high. Toggle output at compare match.
1	x	0	0	Input capture register*1	Input capture at rising edge.
1	x	0	1		Input capture at falling edge.
1	x	1	x		Input capture at both edges.

x: Don't care

Note 1. When the BFB bit in MTU4.TMDR is set to 1 and MTU4.TGRD is used as a buffer register, this setting is invalid and input capture/output compare is not generated.

Table 21.20 TIORH (MTU0)

Bit 3	Bit 2	Bit 1	Bit 0	Description	
IOA3	IOA2	IOA1	IOA0	MTU0.TGRA Function	MTIOC0A Pin Function
0	0	0	0	Output compare register	Output prohibited
0	0	0	1		Initial output is low. Low output at compare match.
0	0	1	0		Initial output is low. High output at compare match.
0	0	1	1		Initial output is low. Toggle output at compare match.
0	1	0	0		Output prohibited
0	1	0	1		Initial output is high. Low output at compare match.
0	1	1	0		Initial output is high. High output at compare match.
0	1	1	1		Initial output is high. Toggle output at compare match.
1	0	0	0	Input capture register	Input capture at rising edge.
1	0	0	1		Input capture at falling edge.
1	0	1	x		Input capture at both edges.
1	1	x	x		Capture input source is count clock in MTU1. Input capture at MTU1.TCNT up-count/down-count.

x: Don't care

Table 21.21 TIORL (MTU0)

Bit 3	Bit 2	Bit 1	Bit 0	Description	
IOC3	IOC2	IOC1	IOC0	MTU0.TGRC Function	MTIOC0C Pin Function
0	0	0	0	Output compare register*1	Output prohibited
0	0	0	1		Initial output is low. Low output at compare match.
0	0	1	0		Initial output is low. High output at compare match.
0	0	1	1		Initial output is low. Toggle output at compare match.
0	1	0	0		Output prohibited
0	1	0	1		Initial output is high. Low output at compare match.
0	1	1	0		Initial output is high. High output at compare match.
0	1	1	1		Initial output is high. Toggle output at compare match.
1	0	0	0	Input capture register*1	Input capture at rising edge.
1	0	0	1		Input capture at falling edge.
1	0	1	x		Input capture at both edges.
1	1	x	x		Capture input source is count clock in MTU1. Input capture at MTU1.TCNT up-count/down-count.

x: Don't care

Note 1. When the BFA bit in MTU0.TMDR is set to 1 and MTU0.TGRC is used as a buffer register, this setting is invalid and input capture/output compare is not generated.

Table 21.22 TIOR (MTU1)

Bit 3	Bit 2	Bit 1	Bit 0	Description	
IOA3	IOA2	IOA1	IOA0	MTU1.TGRA Function	MTIOC1A Pin Function
0	0	0	0	Output compare register	Output prohibited
0	0	0	1		Initial output is low. Low output at compare match.
0	0	1	0		Initial output is low. High output at compare match.
0	0	1	1		Initial output is low. Toggle output at compare match.
0	1	0	0		Output prohibited
0	1	0	1		Initial output is high. Low output at compare match.
0	1	1	0		Initial output is high. High output at compare match.
0	1	1	1		Initial output is high. Toggle output at compare match.
1	0	0	0	Input capture register	Input capture at rising edge.
1	0	0	1		Input capture at falling edge.
1	0	1	x		Input capture at both edges.
1	1	x	x		Input capture at generation of MTU0.TGRA compare match/input capture.

x: Don't care

Table 21.23 TIOR (MTU2)

Bit 3	Bit 2	Bit 1	Bit 0	Description	
IOA3	IOA2	IOA1	IOA0	MTU2.TGRA Function	MTIOC2A Pin Function
0	0	0	0	Output compare register	Output prohibited
0	0	0	1		Initial output is low. Low output at compare match.
0	0	1	0		Initial output is low. High output at compare match.
0	0	1	1		Initial output is low. Toggle output at compare match.
0	1	0	0		Output prohibited
0	1	0	1		Initial output is high. Low output at compare match.
0	1	1	0		Initial output is high. High output at compare match.
0	1	1	1		Initial output is high. Toggle output at compare match.
1	x	0	0	Input capture register	Input capture at rising edge.
1	x	0	1		Input capture at falling edge.
1	x	1	x		Input capture at both edges.

x: Don't care

Table 21.24 TIORH (MTU3)

Bit 3	Bit 2	Bit 1	Bit 0	Description	
IOA3	IOA2	IOA1	IOA0	MTU3.TGRA Function	MTIOC3A Pin Function
0	0	0	0	Output compare register	Output prohibited
0	0	0	1		Initial output is low. Low output at compare match.
0	0	1	0		Initial output is low. High output at compare match.
0	0	1	1		Initial output is low. Toggle output at compare match.
0	1	0	0		Output prohibited
0	1	0	1		Initial output is high. Low output at compare match.
0	1	1	0		Initial output is high. High output at compare match.
0	1	1	1		Initial output is high. Toggle output at compare match.
1	x	0	0	Input capture register	Input capture at rising edge.
1	x	0	1		Input capture at falling edge.
1	x	1	x		Input capture at both edges.

x: Don't care

Table 21.25 TIORL (MTU3)

Bit 3	Bit 2	Bit 1	Bit 0	Description	
IOC3	IOC2	IOC1	IOC0	MTU3.TGRC Function	MTIOC3C Pin Function
0	0	0	0	Output compare register*1	Output prohibited
0	0	0	1		Initial output is low. Low output at compare match.
0	0	1	0		Initial output is low. High output at compare match.
0	0	1	1		Initial output is low. Toggle output at compare match.
0	1	0	0		Output prohibited
0	1	0	1		Initial output is high. Low output at compare match.
0	1	1	0		Initial output is high. High output at compare match.
0	1	1	1		Initial output is high. Toggle output at compare match.
1	x	0	0	Input capture register*1	Input capture at rising edge.
1	x	0	1		Input capture at falling edge.
1	x	1	x		Input capture at both edges.

x: Don't care

Note 1. When the BFA bit in MTU3.TMDR is set to 1 and MTU3.TGRC is used as a buffer register, this setting is invalid and input capture/output compare is not generated.

Table 21.26 TIORH (MTU4)

Bit 3	Bit 2	Bit 1	Bit 0	Description	
IOA3	IOA2	IOA1	IOA0	MTU4.TGRA Function	MTIOC4A Pin Function
0	0	0	0	Output compare register	Output prohibited
0	0	0	1		Initial output is low. Low output at compare match.
0	0	1	0		Initial output is low. High output at compare match.
0	0	1	1		Initial output is low. Toggle output at compare match.
0	1	0	0		Output prohibited
0	1	0	1		Initial output is high. Low output at compare match.
0	1	1	0		Initial output is high. High output at compare match.
0	1	1	1		Initial output is high. Toggle output at compare match.
1	x	0	0	Input capture register	Input capture at rising edge.
1	x	0	1		Input capture at falling edge.
1	x	1	x		Input capture at both edges.

x: Don't care

Table 21.27 TIORL (MTU4)

Bit 3	Bit 2	Bit 1	Bit 0	Description	
IOC3	IOC2	IOC1	IOC0	MTU4.TGRC Function	MTIOC4C Pin Function
0	0	0	0	Output compare register*1	Output prohibited
0	0	0	1		Initial output is low. Low output at compare match.
0	0	1	0		Initial output is low. High output at compare match.
0	0	1	1		Initial output is low. Toggle output at compare match.
0	1	0	0		Output prohibited
0	1	0	1		Initial output is high. Low output at compare match.
0	1	1	0		Initial output is high. High output at compare match.
0	1	1	1		Initial output is high. Toggle output at compare match.
1	x	0	0	Input capture register*1	Input capture at rising edge.
1	x	0	1		Input capture at falling edge.
1	x	1	x		Input capture at both edges.

x: Don't care

Note 1. When the BFA bit in MTU4.TMDR is set to 1 and MTU4.TGRC is used as a buffer register, this setting is invalid and input capture/output compare is not generated.

Table 21.28 TIORU, TIORV, and TIORW (MTU5)

Bit 4	Bit 3	Bit 2	Bit 1	Bit 0	Description	
IOC4	IOC3	IOC2	IOC1	IOC0	MTU5.TGRU, MTU5.TGRV, MTU5.TGRW Function	MTIC5U, MTIC5V, MTIC5W Pin Function
0	0	0	0	0	Compare match register	Compare match
0	0	0	0	1		Setting prohibited
0	0	0	1	x		Setting prohibited
0	0	1	x	x		Setting prohibited
0	1	x	x	x		Setting prohibited
1	0	0	0	0	Input capture register	Setting prohibited
1	0	0	0	1		Input capture at rising edge.
1	0	0	1	0		Input capture at falling edge.
1	0	0	1	1		Input capture at both edges.
1	0	1	x	x		Setting prohibited
1	1	0	0	0		Setting prohibited
1	1	0	0	1		Measurement of low pulse width of external input signal. Capture at trough in complementary PWM mode.
1	1	0	1	0		Measurement of low pulse width of external input signal. Capture at crest of complementary PWM mode.
1	1	0	1	1		Measurement of low pulse width of external input signal. Capture at crest and trough of complementary PWM mode.
1	1	1	0	0		Setting prohibited
1	1	1	0	1		Measurement of high pulse width of external input signal. Capture at trough in complementary PWM mode.
1	1	1	1	0		Measurement of high pulse width of external input signal. Capture at crest of complementary PWM mode.
1	1	1	1	1		Measurement of high pulse width of external input signal. Capture at crest and trough of complementary PWM mode.

x: Don't care

21.2.4 Timer Compare Match Clear Register (TCNTCMPCLR)

Address(es): MTU5.TCNTCMPCLR 0008 88B6h

	b7	b6	b5	b4	b3	b2	b1	b0
	—	—	—	—	—	CMPCLR5U	CMPCLR5V	CMPCLR5W
Value after reset:	0	0	0	0	0	0	0	0

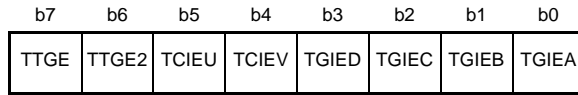
Bit	Symbol	Bit Name	Description	R/W
b0	CMPCLR5W	TCNT Compare Clear 5W	0: Disables MTU5.TCNTW to be cleared to 0000h at MTU5.TCNTW and MTU5.TGRW compare match or input capture 1: Enables MTU5.TCNTW to be cleared to 0000h at MTU5.TCNTW and MTU5.TGRW compare match or input capture	R/W
b1	CMPCLR5V	TCNT Compare Clear 5V	0: Disables MTU5.TCNTV to be cleared to 0000h at MTU5.TCNTV and MTU5.TGRV compare match or input capture 1: Enables MTU5.TCNTV to be cleared to 0000h at MTU5.TCNTV and MTU5.TGRV compare match or input capture	R/W
b2	CMPCLR5U	TCNT Compare Clear 5U	0: Disables MTU5.TCNTU to be cleared to 0000h at MTU5.TCNTU and MTU5.TGRU compare match or input capture 1: Enables MTU5.TCNTU to be cleared to 0000h at MTU5.TCNTU and MTU5.TGRU compare match or input capture	R/W
b7 to b3	—	Reserved	These bits are read as 0. The write value should be 0.	R/W

TCNTCMPCLR is an 8-bit readable/writable register that specifies requests to clear MTU5.TCNTU, MTU5.TCNTV, and MTU5.TCNTW.

21.2.5 Timer Interrupt Enable Register (TIER)

- TIER (MTU0 to MTU4)

Address(es): MTU0.TIER 0008 8704h, MTU1.TIER 0008 8784h, MTU2.TIER 0008 8804h, MTU3.TIER 0008 8608h, MTU4.TIER 0008 8609h



Value after reset: 0 0 0 0 0 0 0 0

Bit	Symbol	Bit Name	Description	R/W
b0	TGIEA	TGR Interrupt Enable A	0: Interrupt requests (TGIA) disabled 1: Interrupt requests (TGIA) enabled	R/W
b1	TGIEB	TGR Interrupt Enable B	0: Interrupt requests (TGIB) disabled 1: Interrupt requests (TGIB) enabled	R/W
b2	TGIEC	TGR Interrupt Enable C	0: Interrupt requests (TGIC) disabled 1: Interrupt requests (TGIC) enabled	R/W
b3	TGIED	TGR Interrupt Enable D	0: Interrupt requests (TGID) disabled 1: Interrupt requests (TGID) enabled	R/W
b4	TCIEV	Overflow Interrupt Enable	0: Interrupt requests (TCIV) disabled 1: Interrupt requests (TCIV) enabled	R/W
b5	TCIEU	Underflow Interrupt Enable	0: Interrupt requests (TCIU) disabled 1: Interrupt requests (TCIU) enabled	R/W
b6	TTGE2	A/D Converter Start Request Enable 2	0: A/D converter start request generation by MTU4.TCNT underflow (trough) disabled 1: A/D converter start request generation by MTU4.TCNT underflow (trough) enabled	R/W
b7	TTGE	A/D Converter Start Request Enable	0: A/D converter start request generation disabled 1: A/D converter start request generation enabled	R/W

The MTU has a total of seven TIER registers, two each for MTU0 and one each for MTU1 to MTU5. TIER is an 8-bit readable/writable register that enables or disables interrupt requests in each channel.

TGIEA and TGIEB Bits (TGR Interrupt Enable A and B)

Each bit enables or disables interrupt requests (TGIn) (n = A or B).

TGIEC and TGIED Bits (TGR Interrupt Enable C and D)

Each bit enables or disables interrupt requests (TGIn) in MTU0, MTU3 and MTU4 (n = C or D). In MTU1 and MTU2, these bits are reserved. They are read as 0. The write value should be 0.

TCIEV Bit (Overflow Interrupt Enable)

This bit enables or disables interrupt requests (TCIV).

TCIEU Bit (Underflow Interrupt Enable)

This bit enables or disables interrupt requests (TCIU) in MTU1 and MTU2. In MTU0, MTU3, and MTU4, this bit is reserved. It is read as 0. The write value should be 0.

TTGE2 Bit (A/D Converter Start Request Enable 2)

This bit enables or disables generation of A/D converter start requests by MTU4.TCNT underflow (trough) in complementary PWM mode.

In MTU0 to MTU3, this bit is reserved. It is read as 0. The write value should be 0.

TTGE Bit (A/D Converter Start Request Enable)

This bit enables or disables generation of A/D converter start requests by TGRA input capture/compare match.

- TIER2 (MTU0)

Address(es): MTU0.TIER2 0008 8724h

b7	b6	b5	b4	b3	b2	b1	b0
—	—	—	—	—	—	TGIEF	TGIEE

Value after reset: 0 0 0 0 0 0 0 0

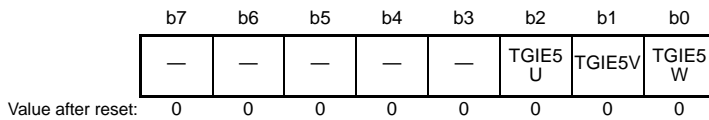
Bit	Symbol	Bit Name	Description	R/W
b0	TGIEE	TGR Interrupt Enable E	0: Interrupt requests (TGIE) disabled 1: Interrupt requests (TGIE) enabled	R/W
b1	TGIEF	TGR Interrupt Enable F	0: Interrupt requests (TGIF) disabled 1: Interrupt requests (TGIF) enabled	R/W
b7 to b2	—	Reserved	These bits are read as 0. The write value should be 0.	R/W

TGIEE and TGIEF Bits (TGR Interrupt Enable E and F)

Each bit enables or disables interrupt requests by compare match between MTU0.TCNT and MTU0.TGR_m (m = E or F).

- TIER (MTU5)

Address(es): MTU5.TIER 0008 88B2h



Bit	Symbol	Bit Name	Description	R/W
b0	TGIE5W	TGR Interrupt Enable 5W	0: Interrupt requests TGI5W disabled 1: Interrupt requests TGI5W enabled	R/W
b1	TGIE5V	TGR Interrupt Enable 5V	0: Interrupt requests TGI5V disabled 1: Interrupt requests TGI5V enabled	R/W
b2	TGIE5U	TGR Interrupt Enable 5U	0: Interrupt requests TGI5U disabled 1: Interrupt requests TGI5U enabled	R/W
b7 to b3	—	Reserved	These bits are read as 0. The write value should be 0.	R/W

TGIE5W, TGIE5V, and TGIE5U Bits (TGR Interrupt Enable 5m)

Each bit enables or disables interrupt requests (TGI_m5) (m = W, V, or U).

21.2.6 Timer Status Register (TSR)

- TSR (MTU0 to MTU4)

Address(es): MTU0.TSR 0008 8705h, MTU1.TSR 0008 8785h, MTU2.TSR 0008 8805h, MTU3.TSR 0008 862Ch, MTU4.TSR 0008 862Dh

	b7	b6	b5	b4	b3	b2	b1	b0
	TCFD	—	—	—	—	—	—	—

Value after reset: 1 1 x x x x x x

x: Undefined

Bit	Symbol	Bit Name	Description	R/W
b5 to b0	—	Reserved	These bits are read as undefined. The write value should be 1.	R/W
b6	—	Reserved	This bit is read as 1. The write value should be 1.	R/W
b7	TCFD	Count Direction Flag	0: TCNT counts down 1: TCNT counts up	R

The MTU has a total of five TSR registers, one each for MTU0 to MTU4.

TSR is an 8-bit readable/writable register that indicates the status of each channel.

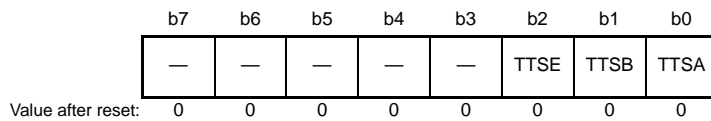
TCFD Flag (Count Direction Flag)

Status flag that shows the direction in which TCNT counts in MTU1 to MTU4.

In MTU0, this bit is reserved. It is read as 1. The write value should be 1.

21.2.7 Timer Buffer Operation Transfer Mode Register (TBTM)

Address(es): MTU0.TBTM 0008 8726h, MTU3.TBTM 0008 8638h, MTU4.TBTM 0008 8639h



Bit	Symbol	Bit Name	Description	R/W
b0	TTSA	Timing Select A	0: When compare match A occurs in each channel, data is transferred from TGRC to TGRA 1: When TCNT is cleared in each channel, data is transferred from TGRC to TGRA	R/W
b1	TTSB	Timing Select B	0: When compare match B occurs in each channel, data is transferred from TGRD to TGRB 1: When TCNT is cleared in each channel, data is transferred from TGRD to TGRB	R/W
b2	TTSE	Timing Select E	0: When compare match E occurs in MTU0, data is transferred from MTU0.TGRF to MTU0.TGRE 1: When MTU0.TCNT is cleared in MTU0, data is transferred from MTU0.TGRF to MTU0.TGRE	R/W
b7 to b3	—	Reserved	These bits are read as 0. The write value should be 0.	R/W

The MTU has a total of three TBTM registers, one each for MTU0, MTU3 and MTU4.

TBTM is an 8-bit readable/writable register that specifies the timing for transferring data from the buffer register to the timer general register in PWM mode.

TTSA Bit (Timing Select A)

This bit specifies the timing for transferring data from TGRC to TGRA in each channel when they are used together for buffer operation. When a channel is not set to PWM mode, do not set the TTSA bit in the channel to 1.

TTSB Bit (Timing Select B)

This bit specifies the timing for transferring data from TGRD to TGRB in each channel when they are used together for buffer operation. When a channel is not set to PWM mode, do not set the TTSB bit in the channel to 1.

TTSE Bit (Timing Select E)

This bit specifies the timing for transferring data from MTU0.TGRF to MTU0.TGRE when they are used together for buffer operation. In MTU3 and MTU4, this bit is reserved. It is read as 0 and the write value should be 0. When MTU0 is not set to PWM mode, do not set the TTSE bit to 1.

21.2.8 Timer Input Capture Control Register (TICCR)

Address(es): MTU1.TICCR 0008 8790h

b7	b6	b5	b4	b3	b2	b1	b0
—	—	—	—	I2BE	I2AE	I1BE	I1AE

Value after reset: 0 0 0 0 0 0 0 0

x: Undefined

Bit	Symbol	Bit Name	Description	R/W
b0	I1AE	Input Capture Enable	0: Does not include the MTIOC1A pin in the MTU2.TGRA input capture conditions 1: Includes the MTIOC1A pin in the MTU2.TGRA input capture conditions	R/W
b1	I1BE	Input Capture Enable	0: Does not include the MTIOC1B pin in the MTU2.TGRB input capture conditions 1: Includes the MTIOC1B pin in the MTU2.TGRB input capture conditions	R/W
b2	I2AE	Input Capture Enable	0: Does not include the MTIOC2A pin in the MTU1.TGRA input capture conditions 1: Includes the MTIOC2A pin in the MTU1.TGRA input capture conditions	R/W
b3	I2BE	Input Capture Enable	0: Does not include the MTIOC2B pin in the MTU1.TGRB input capture conditions 1: Includes the MTIOC2B pin in the MTU1.TGRB input capture conditions	R/W
b7 to b4	—	Reserved	These bits are read as 0. The write value should be 0.	R/W

The MTU has one TICCR for MTU1.

TICCR specifies input capture conditions when MTU1.TCNT and MTU2.TCNT are cascaded.

21.2.9 Timer A/D Converter Start Request Control Register (TADCR)

Address(es): MTU4.TADCR 0008 8640h

b15	b14	b13	b12	b11	b10	b9	b8	b7	b6	b5	b4	b3	b2	b1	b0
BF[1:0]		—	—	—	—	—	—	UT4AE	DT4AE	UT4BE	DT4BE	ITA3AE	ITA4VE	ITB3AE	ITB4VE
Value after reset:		0	0	0	0	0	0	0	0	0	0	0	0	0	0

Bit	Symbol	Bit Name	Description	R/W
b0	ITB4VE	TCIV4 Interrupt Skipping Link Enable	0: TCIV4 interrupt skipping is not linked 1: TCIV4 interrupt skipping is linked	R/W*1
b1	ITB3AE	TGIA3 Interrupt Skipping Link Enable	0: TGI3A interrupt skipping is not linked 1: TGI3A interrupt skipping is linked	R/W*1
b2	ITA4VE	TCIV4 Interrupt Skipping Link Enable	0: TCIV4 interrupt skipping is not linked 1: TCIV4 interrupt skipping is linked	R/W*1
b3	ITA3AE	TGIA3 Interrupt Skipping Link Enable	0: TGI3A interrupt skipping is not linked 1: TGI3A interrupt skipping is linked	R/W*1
b4	DT4BE	Down-Count TRG4BN Enable	0: A/D converter start requests (TRG4BN) disabled during MTU4.TCNT down-count operation 1: A/D converter start requests (TRG4BN) enabled during MTU4.TCNT down-count operation	R/W*1
b5	UT4BE	Up-Count TRG4BN Enable	0: A/D converter start requests (TRG4BN) disabled during MTU4.TCNT up-count operation 1: A/D converter start requests (TRG4BN) enabled during MTU4.TCNT up-count operation	R/W
b6	DT4AE	Down-Count TRG4AN Enable	0: A/D converter start requests (TRG4AN) disabled during MTU4.TCNT down-count operation 1: A/D converter start requests (TRG4AN) enabled during MTU4.TCNT down-count operation	R/W*1
b7	UT4AE	Up-Count TRG4AN Enable	0: A/D converter start requests (TRG4AN) disabled during MTU4.TCNT up-count operation 1: A/D converter start requests (TRG4AN) enabled during MTU4.TCNT up-count operation	R/W
b13 to b8	—	Reserved	These bits are read as 0. The write value should be 0.	R/W
b15, b14	BF[1:0]	MTU4.TADCOBRA/B Transfer Timing Select	See Table 21.29 for details.	R/W

Note: • TADCR must not be accessed in 8-bit units; it should be accessed in 16-bit units.

Note: • When interrupt skipping is disabled (the T3AEN and T4VEN bits in the timer interrupt skipping set register (TITCR) are cleared to 0 or the skipping count set bits (T3ACOR and T4VCOR) in TITCR are cleared to 0), do not link A/D converter start requests with interrupt skipping operation (clear the ITA3AE, ITA4VE, ITB3AE, and ITB4VE bits in the timer A/D converter start request control register (TADCR) to 0).

Note: • If link with interrupt skipping is enabled while interrupt skipping is disabled, A/D converter start requests will not be issued.

Note 1. Do not set any bit from among b6 and b4 to b0 to 1 unless complementary PWM mode is not selected.

TADCR is a 16-bit readable/writable register that enables or disables A/D converter start requests and specifies whether to link A/D converter start requests with interrupt skipping operation.

Table 21.29 Setting of Transfer Timing by BF0[1:0] Bits

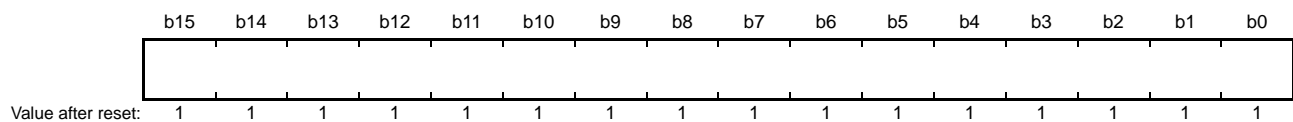
Bit 15	Bit 14	Description
BF1	BF0	
0	0	Does not transfer data from the cycle set buffer register to the cycle set register.
0	1	Transfers data from the cycle set buffer register to the cycle set register at the crest of the MTU4.TCNT count.*1
1	0	Transfers data from the cycle set buffer register to the cycle set register at the trough of the MTU4.TCNT count.*2
1	1	Transfers data from the cycle set buffer register to the cycle set register at the crest and trough of the MTU4.TCNT count.*2

Note 1. Data is transferred from the cycle set buffer register to the cycle set register when the crest of the MTU4.TCNT count is reached in complementary PWM mode, when a compare match occurs between MTU3.TCNT and MTU3.TGRA in reset-synchronized PWM mode, or when a compare match occurs between MTU4.TCNT and MTU4.TGRA in PWM mode 1 or normal operation mode.

Note 2. These settings are prohibited when complementary PWM mode is not selected.

21.2.10 Timer A/D Converter Start Request Cycle Set Registers A and B (TADCORA and TADCORB)

Address(es): MTU4.TADCORA 0008 8644h, MTU4.TADCORB 0008 8646h



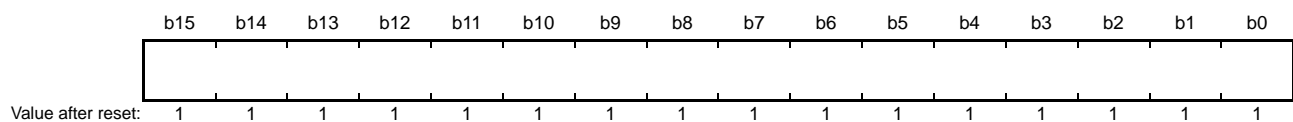
Note: • MTU4.TADCORA and MTU4.TADCORB must not be accessed in 8-bit units; they should always be accessed in 16-bit units.

TADCORA and TADCORB are 16-bit readable/writable registers. When the MTU4.TCNT count reaches the value in TADCORA or TADCORB, a corresponding A/D converter start request will be issued.

The TADCORA and TADCORB values after reset are FFFFh.

21.2.11 Timer A/D Converter Start Request Cycle Set Buffer Registers A and B (TADCOBRA and TADCOBRB)

Address(es): MTU4.TADCOBRA 0008 8648h, MTU4.TADCOBRB 0008 864Ah



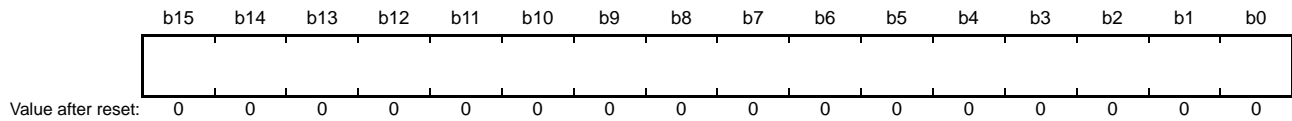
Note: • MTU4.TADCORA and MTU4.TADCORB must not be accessed in 8-bit units; they should always be accessed in 16-bit units.

TADCOBRA and TADCOBRB are 16-bit readable/writable registers. When the crest or trough of the MTU4.TCNT count is reached, these register values are transferred to TADCORA and TADCORB, respectively.

The TADCOBRA and TADCOBRB values after reset are FFFFh.

21.2.12 Timer Counter (TCNT)

Address(es): MTU0.TCNT 0008 8706h, MTU1.TCNT 0008 8786h, MTU2.TCNT 0008 8806h, MTU3.TCNT 0008 8610h,
MTU4.TCNT 0008 8612h, MTU5.TCNTU 0008 8880h, MTU5.TCNTV 0008 8890h, MTU5.TCNTW 0008 88A0h



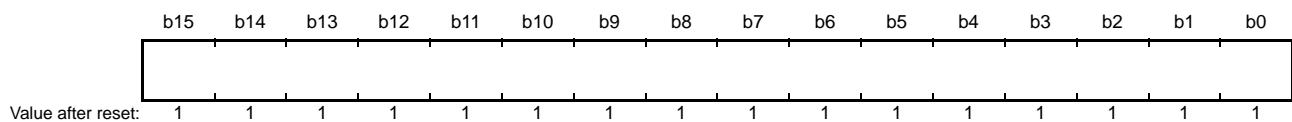
Note: • The TCNT counters must not be accessed in 8-bit units; they should always be accessed in 16-bit units.

The MTU has a total of eight TCNT counters, one each for MTU0 to MTU4 and three (MTU5.TCNTU, TCNTV, and TCNTW) for MTU5. TCNT is a 16-bit readable/writable counter.

TCNT is initialized to 0000h by a reset.

21.2.13 Timer General Register (TGR)

Address(es): MTU0.TGRA 0008 8708h, MTU0.TGRB 0008 870Ah, MTU0.TGRC 0008 870Ch, MTU0.TGRD 0008 870Eh,
MTU0.TGRE 0008 8720h, MTU0.TGRF 0008 8722h, MTU1.TGRA 0008 8788h, MTU1.TGRB 0008 878Ah,
MTU2.TGRA 0008 8808h, MTU2.TGRB 0008 880Ah, MTU3.TGRA 0008 8618h, MTU3.TGRB 0008 861Ah,
MTU3.TGRC 0008 8624h, MTU3.TGRD 0008 8626h, MTU4.TGRA 0008 861Ch, MTU4.TGRB 0008 861Eh,
MTU4.TGRC 0008 8628h, MTU4.TGRD 0008 862Ah, MTU5.TGRU 0008 8882h, MTU5.TGRV 0008 8892h,
MTU5.TGRW 0008 88A2h



Note: • The TGR registers must not be accessed in 8-bit units; they should always be accessed in 16-bit units. TGR registers are initialized to FFFFh.

The MTU has a total of 21 TGR registers, six for MTU0, two each for MTU1 and MTU2, four each for MTU3 and MTU4, and three for MTU5. TGR is a 16-bit readable/writable register.

TGRA, TGRB, TGRC, and TGRD function as either output compare or input capture registers. TGRC and TGRD for MTU0, MTU3, and MTU4 can also be designated for operation as buffer registers. TGR buffer register combinations are TGRA and TGRC, and TGRB and TGRD.

MTU0.TGRE and MTU0.TGRF function as compare registers. When the MTU0.TCNT count matches the MTU0.TGRE value, an A/D converter start request can be issued. TGRF can also be designated for operation as a buffer register. TGR buffer register combination is TGRE and TGRF.

MTU5.TGRU, MTU5.TGRV, and MTU5.TGRW function as compare match, input capture, or external pulse width measurement registers.

21.2.14 Timer Start Registers (TSTR)

- TSTR (MTU0 to MTU4)

Address(es): MTU.TSTR 0008 8680h

b7	b6	b5	b4	b3	b2	b1	b0
CST4	CST3	—	—	—	CST2	CST1	CST0

Value after reset: 0 0 0 0 0 0 0 0

Bit	Symbol	Bit Name	Description	R/W
b0	CST0	Counter Start 0	0: MTU0.TCNT performs count stop 1: MTU0.TCNT performs count operation	R/W
b1	CST1	Counter Start 1	0: MTU1.TCNT performs count stop 1: MTU1.TCNT performs count operation	R/W
b2	CST2	Counter Start 2	0: MTU2.TCNT performs count stop 1: MTU2.TCNT performs count operation	R/W
b5 to b3	—	Reserved	These bits are read as 0. The write value should be 0.	R/W
b6	CST3	Counter Start 3	0: MTU3.TCNT performs count stop 1: MTU3.TCNT performs count operation	R/W
b7	CST4	Counter Start 4	0: MTU4.TCNT performs count stop 1: MTU4.TCNT performs count operation	R/W

TSTR starts or stops TCNT operation in MTU0 to MTU4.

Before setting the operating mode in TMDR or setting the TCNT count clock in TCR, be sure to stop the TCNT counter.

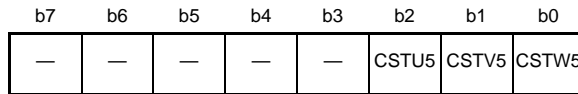
CSTn Bits (Counter Start n) (n = 0 to 4)

Each bit starts or stops TCNT in the corresponding channel.

If 0 is written to the CSTn bit during operation with the MTIOC pin designated for output, the counter stops but the output compare signal level from the MTIOC pin is retained. If TIOR is written to while the CSTn bit is 0, the pin output level will be changed to the specified initial output value.

- TSTR (MTU5)

Address(es): MTU5.TSTR 0008 88B4h



Value after reset: 0 0 0 0 0 0 0 0

Bit	Symbol	Bit Name	Description	R/W
b0	CSTW5	Counter Start W5	0: MTU5.TCNTW count operation is stopped 1: MTU5.TCNTW performs count operation	R/W
b1	CSTV5	Counter Start V5	0: MTU5.TCNTV count operation is stopped 1: MTU5.TCNTV performs count operation	R/W
b2	CSTU5	Counter Start U5	0: MTU5.TCNTU count operation is stopped 1: MTU5.TCNTU performs count operation	R/W
b7 to b3	—	Reserved	These bits are read as 0. The write value should be 0.	R/W

21.2.15 Timer Synchronous Registers (TSYR)

Address(es): MTU.TSYR 0008 8681h

b7	b6	b5	b4	b3	b2	b1	b0
SYNC4	SYNC3	—	—	—	SYNC2	SYNC1	SYNC0

Value after reset: 0 0 0 0 0 0 0 0

Bit	Symbol	Bit Name	Description	R/W
b0	SYNC0	Timer Synchronous Operation 0	0: MTU0.TCNT operates independently (TCNT presetting/clearing is not related to other channels). 1: MTU0.TCNT performs synchronous operation. TCNT synchronous presetting/synchronous clearing is enabled.	R/W
b1	SYNC1	Timer Synchronous Operation 1	0: MTU1.TCNT operates independently (TCNT presetting/clearing is not related to other channels). 1: MTU1.TCNT performs synchronous operation. TCNT synchronous presetting/synchronous clearing is enabled.	R/W
b2	SYNC2	Timer Synchronous Operation 2	0: MTU2.TCNT operates independently (TCNT presetting/clearing is not related to other channels). 1: MTU2.TCNT performs synchronous operation. TCNT synchronous presetting/synchronous clearing is enabled.	R/W
b5 to b3	—	Reserved	These bits are read as 0. The write value should be 0.	R/W
b6	SYNC3	Timer Synchronous Operation 3	0: MTU3.TCNT operates independently (TCNT presetting/clearing is not related to other channels). 1: MTU3.TCNT performs synchronous operation. TCNT synchronous presetting/synchronous clearing is enabled.	R/W
b7	SYNC4	Timer Synchronous Operation 4	0: MTU4.TCNT operates independently (TCNT presetting/clearing is not related to other channels). 1: MTU4.TCNT performs synchronous operation. TCNT synchronous presetting/synchronous clearing is enabled.	R/W

TSYR selects independent operation or synchronous operation of TCNT in MTU0 to MTU4.

A channel performs synchronous operation when the corresponding bit in TSYR is set to 1.

SYNCn Bits (Timer Synchronous n Operation) (n = 0 to 4)

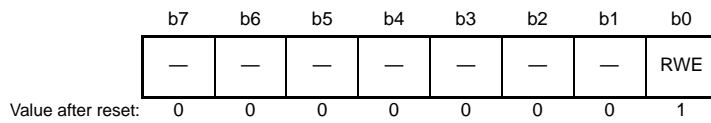
Each bit selects whether operation is independent of or synchronized with other channels.

When synchronous operation is selected, the TCNT synchronous presetting of multiple channels and synchronous clearing by counter clearing on another channel are possible.

To set synchronous operation, the SYNCn bits for at least two channels must be set to 1. To set synchronous clearing, in addition to the SYNCn bit, the TCNT clearing source must also be set by means of TCR.CCLR[2:0] bits.

21.2.16 Timer Read/Write Enable Registers (TRWER)

Address(es): MTU.TRWER 0008 8684h



Bit	Symbol	Bit Name	Description	R/W
b0	RWE	Read/Write Enable	0: Read/write access to the registers is disabled 1: Read/write access to the registers is enabled	R/W
b7 to b1	—	Reserved	These bits are read as 0. The write value should be 0.	R/W

TRWER enables or disables access to the registers and counters that have write-protection capability against accidental modification in MTU3 and MTU4.

RWE Bit (Read/Write Enable)

This bit enables or disables access to the registers that have write-protection capability against accidental modification.
[Clearing conditions]

- When 0 is written to the RWE bit after reading RWE bit = 1
- Registers and Counters having Write-Protection Capability against Accidental Modification
22 registers: MTUm.TCR, MTUm.TMDR, MTUm.TIORH, MTUm.TIORL, MTUm.TIER, MTUm.TGRA, MTUm.TGRB, TOER, TOCR1, TOCR2, TGCR, TCDR, TDDR, and MTUm.TCNT (m = 3, 4)

21.2.17 Timer Output Master Enable Registers (TOER)

Address(es): MTU.TOER 0008 860Ah

b7	b6	b5	b4	b3	b2	b1	b0
—	—	OE4D	OE4C	OE3D	OE4B	OE4A	OE3B

Value after reset: 1 1 0 0 0 0 0 0

Bit	Symbol	Bit Name	Description	R/W
b0	OE3B	Master Enable MTIOC3B	0: MTU output is disabled (inactive level)*1 1: MTU output is enabled	R/W
b1	OE4A	Master Enable MTIOC4A	0: MTU output is disabled (inactive level)*1 1: MTU output is enabled	R/W
b2	OE4B	Master Enable MTIOC4B	0: MTU output is disabled (inactive level)*1 1: MTU output is enabled	R/W
b3	OE3D	Master Enable MTIOC3D	0: MTU output is disabled (inactive level)*1 1: MTU output is enabled	R/W
b4	OE4C	Master Enable MTIOC4C	0: MTU output is disabled (inactive level)*1 1: MTU output is enabled	R/W
b5	OE4D	Master Enable MTIOC4D	0: MTU output is disabled (inactive level)*1 1: MTU output is enabled	R/W
b7, b6	—	Reserved	These bits are read as 1. The write value should be 1.	R/W

Note 1. The inactive level is determined by the settings in timer output control registers 1 and 2 (TOCR1 and TOCR2). For details, refer to section 21.2.18, Timer Output Control Registers 1 (TOCR1), and section 21.2.19, Timer Output Control Registers 2 (TOCR2). Set these bits to 1 to enable MTU output when complementary PWM or reset-synchronized PWM mode is not selected. When these bits are set to 0, the inactive level is output by setting in the timer output control registers 1 and 2 (TOCR1 and TOCR).

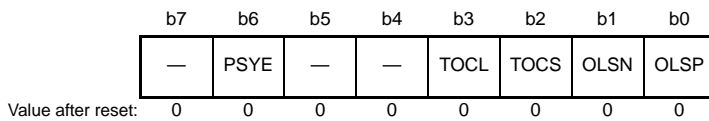
TOER enables or disables output settings for output pins MTIOC4D, MTIOC4C, MTIOC3D, MTIOC4B, MTIOC4A, and MTIOC3B.

These pins do not output correctly if the TOER bits have not been set. In MTU3 and MTU4, set TOER prior to setting TIOR.

Set TOER after clearing the CST3 and CST4 bits in TSTR to 0 (see Figure 21.35 and Figure 21.38).

21.2.18 Timer Output Control Registers 1 (TOCR1)

Address(es): MTU.TOCR 0008 860Eh



Bit	Symbol	Bit Name	Description	R/W
b0	OLSP	Output Level Select P*2, *3	See Table 21.30.	R/W
b1	OLSN	Output Level Select N*2, *3	See Table 21.31.	R/W
b2	TOCS	TOC Select	0: TOCR1 setting is selected 1: TOCR2 setting is selected	R/W
b3	TOCL	TOC Register Write Protection*1	0: Write access to the TOCS, OLSN, and OLSP bits is enabled 1: Write access to the TOCS, OLSN, and OLSP bits is disabled	R/W*4
b5, b4	—	Reserved	These bits are read as 0. The write value should be 0.	R/W
b6	PSYE	PWM Synchronous Output Enable	0: Toggle output is disabled 1: Toggle output is enabled	R/W
b7	—	Reserved	This bit is read as 0. The write value should be 0.	R/W

Note 1. Setting the TOCR1.TOCL bit to 1 prevents accidental modification when the CPU goes out of control.

Note 2. Clearing the TOCR1.TOCS bit to 0 makes this bit setting valid.

Note 3. If dead-time is not generated, the negative-phase output is always the exact inverse of the positive-phase output. In this case, only the OLSP bit is valid.

Note 4. This bit can be set to 1 only once after a power on reset. After 1 is written, 0 cannot be written to the bit.

TOCR1 is 8-bit readable/writable registers that enable or disable PWM-synchronized toggle output in complementary PWM mode and reset-synchronized PWM mode, and control inversion of PWM output level.

OLSP Bit (Output Level Select P)

This bit selects the positive-phase output level in reset-synchronized PWM mode and complementary PWM mode.

OLSN Bit (Output Level Select N)

This bit selects the negative-phase output level in reset-synchronized PWM mode and complementary PWM mode.

TOCS Bit (TOC Select)

This bit selects either the TOCR1 or TOCR2 setting to be used for the output level in complementary PWM mode and reset-synchronized PWM mode.

TOCL Bit (TOC Register Write Protection)

This bit enables or disables write access to the TOCS, OLSN, and OLSP bits in TOCR1.

PSYE Bit (PWM Synchronous Output Enable)

This bit enables or disables toggle output synchronized with the PWM cycle.

Table 21.30 Output Level Select Function

Bit 0	Function			
OLSP	Initial Output	Active Level	Compare Match Output	
			Up-Counting	Down-Counting
0	High	Low	Low	High
1	Low	High	High	Low

Table 21.31 Output Level Select Function

Bit 1	Function			
OLSN	Initial Output	Active Level	Compare Match Output	
			Up-Counting	Down-Counting
0	High	Low	High	Low
1	Low	High	Low	High

Note: • The initial output value of negative-phase waveform changes to an active level after the dead time has passed since counting starts.

Figure 21.2 shows an example of output in complementary PWM mode (one phase) when OLSN = 1 and OLSP = 1.

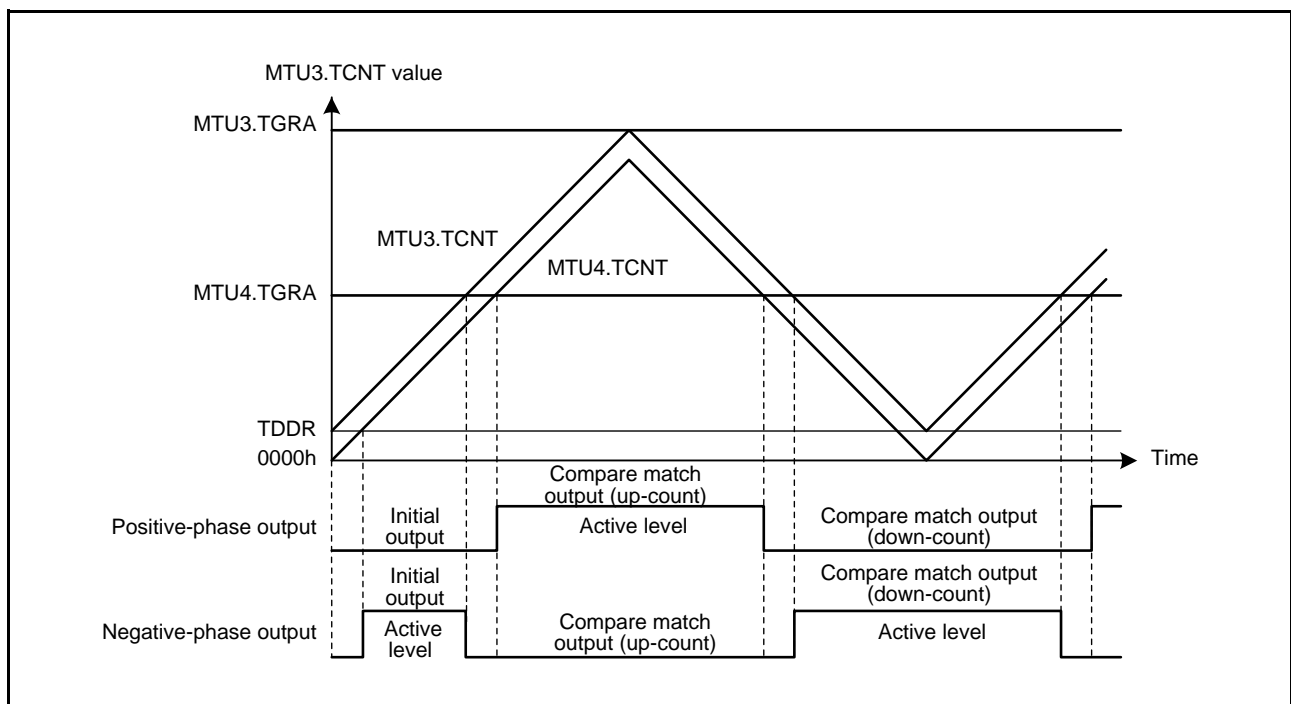
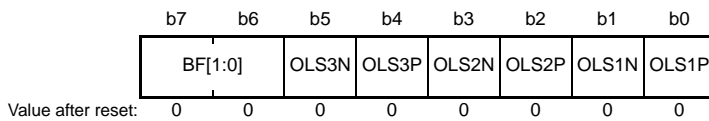


Figure 21.2 Example of Output in Complementary PWM Mode

21.2.19 Timer Output Control Registers 2 (TOCR2)

Address(es): MTU.TOCR2 0008 860Fh



Bit	Symbol	Bit Name	Description	R/W
b0	OLS1P	Output Level Select 1P ^{*1, *2}	This bit selects the output level on MTIOC3B in reset-synchronized PWM mode and complementary PWM mode. See Table 21.32.	R/W
b1	OLS1N	Output Level Select 1N ^{*1, *2}	This bit selects the output level on MTIOC3D in reset-synchronized PWM mode and complementary PWM mode. See Table 21.33.	R/W
b2	OLS2P	Output Level Select 2P ^{*1, *2}	This bit selects the output level on MTIOC4A in reset-synchronized PWM mode and complementary PWM mode. See Table 21.34.	R/W
b3	OLS2N	Output Level Select 2N ^{*1, *2}	This bit selects the output level on MTIOC4C in reset-synchronized PWM mode and complementary PWM mode. See Table 21.35.	R/W
b4	OLS3P	Output Level Select 3P ^{*1, *2}	This bit selects the output level on MTIOC4B in reset-synchronized PWM mode and complementary PWM mode. See Table 21.36.	R/W
b5	OLS3N	Output Level Select 3N ^{*1, *2}	This bit selects the output level on MTIOC4D in reset-synchronized PWM mode and complementary PWM mode. See Table 21.37.	R/W
b7, b6	BF[1:0]	TOLBR Buffer Transfer Timing Select	These bits select the timing for transferring data from TOLBR to TOCR2. See Table 21.38 for details.	R/W

Note 1. Setting the TOCR1.TOCS bit to 1 makes this bit setting valid.

Note 2. If dead-time is not generated, the negative-phase output is always the exact inverse of the positive-phase output. In these cases, only the OLSiP bits are valid (i = 1 to 3).

TOCR2 control inversion of PWM output level in complementary PWM mode and reset-synchronized PWM mode.

Table 21.32 MTIOC3B Output Level Select Function

Bit 0	Function			
OLS1P	Initial Output	Active Level	Compare Match Output	
			Up-Counting	Down-Counting
0	High	Low	Low	High
1	Low	High	High	Low

Table 21.33 MTIOC3D Output Level Select Function

Bit 1	Function			
OLS1N	Initial Output	Active Level	Compare Match Output	
			Up-Counting	Down-Counting
0	High	Low	High	Low
1	Low	High	Low	High

Note: • The initial output value of negative-phase waveform changes to an active level after the dead time has passed since counting starts.

Table 21.34 MTIOC4A Output Level Select Function

Bit 2	Function			
OLS2P	Initial Output	Active Level	Compare Match Output	
			Up-Counting	Down-Counting
0	High	Low	Low	High
1	Low	High	High	Low

Table 21.35 MTIOC4C Output Level Select Function

Bit 3	Function			
OLS2N	Initial Output	Active Level	Compare Match Output	
			Up-Counting	Down-Counting
0	High	Low	High	Low
1	Low	High	Low	High

Note: • The initial output value of negative-phase waveform changes to an active level after the dead time has passed since counting starts.

Table 21.36 MTIOC4B Output Level Select Function

Bit 4	Function			
OLS3P	Initial Output	Active Level	Compare Match Output	
			Up-Counting	Down-Counting
0	High	Low	Low	High
1	Low	High	High	Low

Table 21.37 MTIOC4D Output Level Select Function

Bit 5	Function			
OLS3N	Initial Output	Active Level	Compare Match Output	
			Up-Counting	Down-Counting
0	High	Low	High	Low
1	Low	High	Low	High

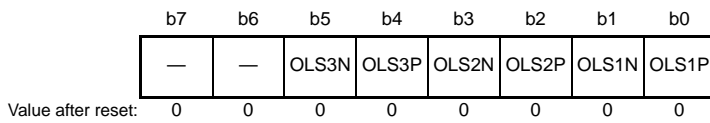
Note: • The initial output value of negative-phase waveform changes to an active level after the dead time has passed since counting starts.

Table 21.38 Setting of TOCR2.BF[1:0] Bits

Bit 7	Bit 6	Description	
BF1	BF0	Complementary PWM Mode	Reset-Synchronized PWM Mode
0	0	Does not transfer data from the buffer register (TOLBR) to TOCR2.	Does not transfer data from the buffer register (TOLBR) to TOCR2.
0	1	Transfers data from the buffer register (TOLBR) to TOCR2 at the crest of the MTU4.TCNT count.	Transfers data from the buffer register (TOLBR) to TOCR2 when MTU4.TCNT or MTU3.TCNT is cleared.
1	0	Transfers data from the buffer register (TOLBRj) to TOCR2 at the trough of the MTU4.TCNT count.	Setting prohibited
1	1	Transfers data from the buffer register (TOLBR) to TOCR2 at the crest and trough of the MTU4.TCNT count.	Setting prohibited

21.2.20 Timer Output Level Buffer Registers (TOLBR)

Address(es): MTU.TOLBR 0008 8636h



Bit	Symbol	Bit Name	Description	R/W
b0	OLS1P	Output Level Select 1P	Specify the buffer value to be transferred to the OLS1P bit in TOCR2.	R/W
b1	OLS1N	Output Level Select 1N	Specify the buffer value to be transferred to the OLS1N bit in TOCR2.	R/W
b2	OLS2P	Output Level Select 2P	Specify the buffer value to be transferred to the OLS2P bit in TOCR2.	R/W
b3	OLS2N	Output Level Select 2N	Specify the buffer value to be transferred to the OLS2N bit in TOCR2.	R/W
b4	OLS3P	Output Level Select 3P	Specify the buffer value to be transferred to the OLS3P bit in TOCR2.	R/W
b5	OLS3N	Output Level Select 3N	Specify the buffer value to be transferred to the OLS3N bit in TOCR2.	R/W
b7, b6	—	Reserved	These bits are read as 0. The write value should be 0.	R/W

TOLBR is 8-bit readable/writable registers that function as buffer registers for TOCR2 and specify the PWM output level in complementary PWM mode and reset-synchronized PWM mode.

Figure 21.3 shows an example of the PWM output level setting procedure in buffer operation.

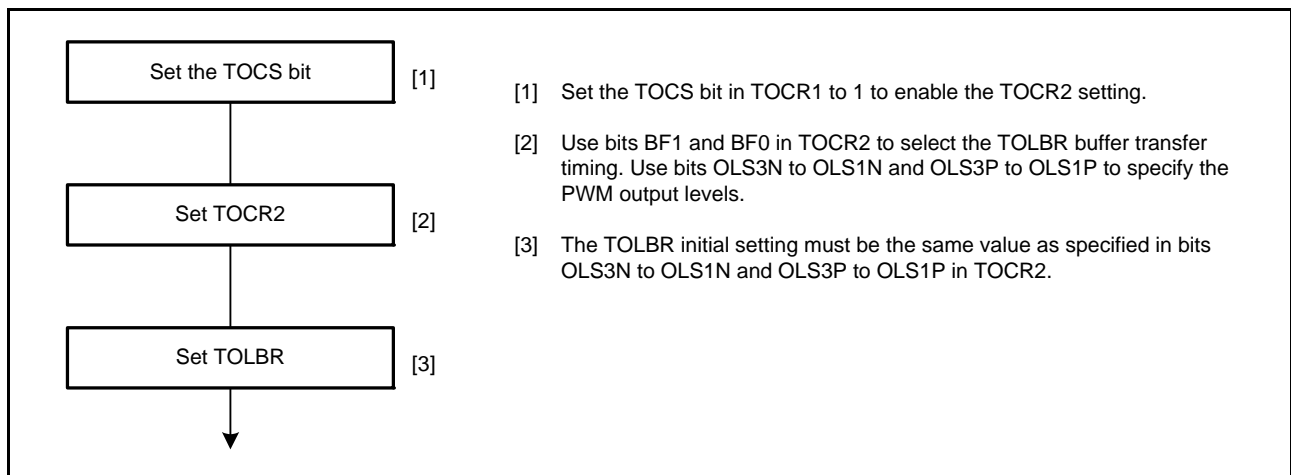


Figure 21.3 Example of PWM Output Level Setting Procedure in Buffer Operation

21.2.21 Timer Gate Control Registers (TGCR)

Address(es): MTU.TGCR 0008 860Dh

b7	b6	b5	b4	b3	b2	b1	b0
—	BDC	N	P	FB	WF	VF	UF

Value after reset: 1 0 0 0 0 0 0 0

Bit	Symbol	Bit Name	Description	R/W
b0	UF	Output Phase Switch	These bits turn on or off the positive-phase/negative-phase output. The setting of these bits is valid only when the TGCR.FB bit s set to 1.	R/W
b1	VF		In this case, the setting of b0 to b2 is used instead of the external input. See Table 21.39.	R/W
b2	WF			R/W
b3	FB	External Feedback Signal Enable	0: Output is switched by external input (input sources are TGRA, TGRB, and TGRC input capture signals in MTU0) 1: Output is switched by software (TGCR's UF, VF, and WF settings)	R/W
b4	P	Positive-Phase Output (P) Control	0: Level output 1: Reset-synchronized PWM or complementary PWM output	R/W
b5	N	Negative-Phase Output (N) Control	0: Level output 1: Reset-synchronized PWM or complementary PWM output	R/W
b6	BDC	Brushless DC Motor	0: Ordinary output 1: Functions of this register are made effective	R/W
b7	—	Reserved	This bit is read as 1. The write value should be 1.	R/W

TGCR control the output waveform necessary for brushless DC motor control in reset-synchronized PWM mode and complementary PWM mode. These register settings are ineffective for anything other than complementary PWM mode and reset-synchronized PWM mode.

UF, VF, and WF Bits (Output Phase Switch)

The setting of these bits is valid only when the TGCR.FB bit is set to 1. In this case, the setting of b0 to b2 is used instead of the external input. See Table 21.39.

FB Bit (External Feedback Signal Enable)

This bit selects whether the positive-/negative-phase output is switched automatically with the TGRA, TGRB, and TGRC input capture signals in MTU0 or by writing 0 or 1 to bits 2 to 0 in TGCR.

P Bit (Positive-Phase Output (P) Control)

This bit selects the level output or the reset-synchronized PWM/complementary PWM output for the positive-phase output pins (MTIOC3B, MTIOC4A, and MTIOC4B pins).

N Bit (Negative-Phase Output (N) Control)

This bit selects the level output or the reset-synchronized PWM/complementary PWM output for the negative-phase output pins (MTIOC3D, MTIOC4C, and MTIOC4D pins).

BDC Bit (Brushless DC Motor)

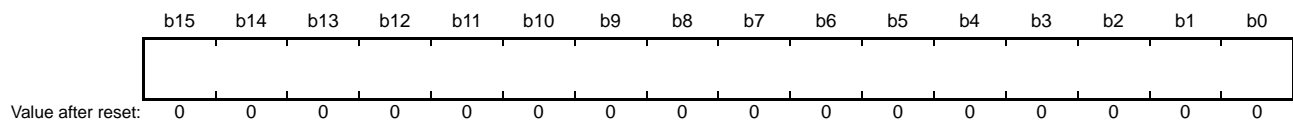
This bit selects whether to make the functions of TGCR effective or ineffective.

Table 21.39 Output Level Select Function

Bit 2	Bit 1	Bit 0	Function					
			MTIOC3B	MTIOC4A	MTIOC4B	MTIOC3D	MTIOC4C	MTIOC4D
WF	VF	UF	U Phase	V Phase	W Phase	U Phase	V Phase	W Phase
0	0	0	OFF	OFF	OFF	OFF	OFF	OFF
0	0	1	ON	OFF	OFF	OFF	OFF	ON
0	1	0	OFF	ON	OFF	ON	OFF	OFF
0	1	1	OFF	ON	OFF	OFF	OFF	ON
1	0	0	OFF	OFF	ON	OFF	ON	OFF
1	0	1	ON	OFF	OFF	OFF	ON	OFF
1	1	0	OFF	OFF	ON	ON	OFF	OFF
1	1	1	OFF	OFF	OFF	OFF	OFF	OFF

21.2.22 Timer Subcounters (TCNTS)

Address(es): MTU.TCNTS 0008 8620h

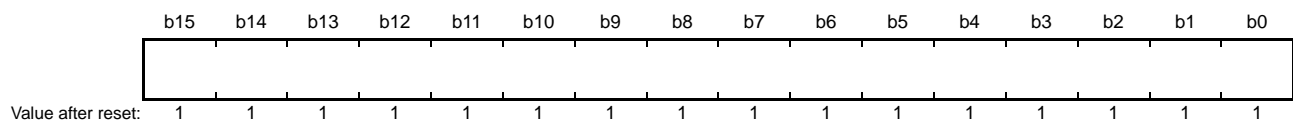


Note: • Accessing the TCNTS in 8-bit units is prohibited. Always access in 16-bit units.

TCNTS is 16-bit read-only counters that are used only in complementary PWM mode. The TCNTS value after reset is 0000h.

21.2.23 Timer Dead Time Data Registers (TDDR)

Address(es): MTU.TDDR 0008 8616h

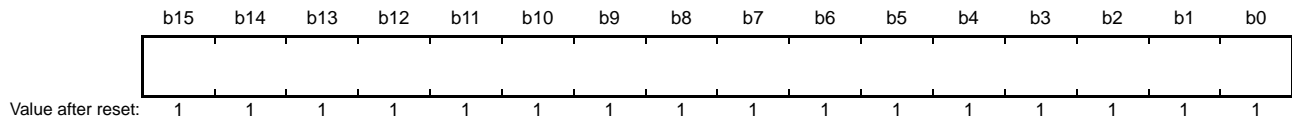


Note: • Accessing the TDDR in 8-bit units is prohibited. Always access in 16-bit units.

TDDR is 16-bit registers, used only in complementary PWM mode, that specify the MTU3.TCNT and MTU4.TCNT counter offset value. In complementary PWM mode, when the MTU3.TCNT and MTU4.TCNT counters are cleared and then restarted, the TDDR value is loaded into the MTU3.TCNT counter and the count operation starts. The TDDR value after reset is FFFFh.

21.2.24 Timer Cycle Data Registers (TCDR)

Address(es): MTU.TCDR 0008 8614h

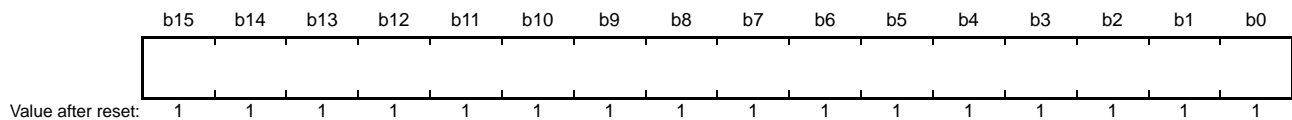


Note: • Accessing the TCDR in 8-bit units is prohibited. Always access in 16-bit units.

TCDR is 16-bit registers used only in complementary PWM mode. Set half the PWM carrier cycle as the TCDR value. TCDR is constantly compared with the TCNTS counter in complementary PWM mode, and when a match occurs, the TCNTS counter switches direction (down-count to up-count). The TCDR value after reset is FFFFh.

21.2.25 Timer Cycle Buffer Registers (TCBR)

Address(es): MTU.TCBR 0008 8622h

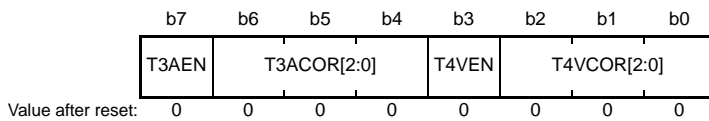


Note: • Accessing the TCBR in 8-bit units is prohibited. Always access in 16-bit units.

TCBR is 16-bit registers, used only in complementary PWM mode, that function as buffer registers for TCDR. The TCBR value is transferred to TCDR with the transfer timing set in TMDR. The TCBR value after reset is FFFFh.

21.2.26 Timer Interrupt Skipping Set Registers (TITCR)

Address(es): MTU.TITCR 0008 8630h



Bit	Symbol	Bit Name	Description	R/W
b2 to b0	T4VCOR[2:0]	TCIV4 Interrupt Skipping Count Setting	These bits specify the TCIV4 interrupt skipping count within the range from 0 to 7.* ¹ For details, see Table 21.40.	R/W
b3	T4VEN	T4VEN	0: TCIV4 interrupt skipping disabled 1: TCIV4 interrupt skipping enabled	R/W
b6 to b4	T3ACOR[2:0]	TGIA3 Interrupt Skipping Count Setting	These bits specify the TGIA3 interrupt skipping count within the range from 0 to 7.* ¹ For details, see Table 21.41.	R/W
b7	T3AEN	T3AEN	0: TGIA3 interrupt skipping disabled 1: TGIA3 interrupt skipping enabled	R/W

Note 1. When 0 is specified for the interrupt skipping count, no interrupt skipping will be performed. Before changing the interrupt skipping count, be sure to clear the TITCR.T3AEN and TITCR.T4VEN bits to 0 to clear the skipping counter (TITCNT).

T4VCOR[2:0] Bits (TCIV4 Interrupt Skipping Count Setting)

T3ACOR[2:0] Bits (TGIA3 Interrupt Skipping Count Setting)

These bits specify the TCIV3 and TGIA4 interrupt skipping count within the range from 0 to 7. For details, see Table 21.40 and Table 21.41.

Table 21.40 Setting of Interrupt Skipping Count by T4VCOR[2:0] Bits

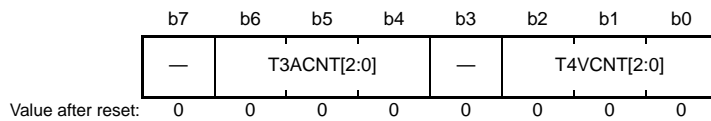
Bit 2	Bit 1	Bit 0	Description
T4VCOR2	T4VCOR1	T4VCOR0	Description
0	0	0	Does not perform TCIV4 interrupt skipping.
0	0	1	Sets the TCIV4 interrupt skipping count to 1.
0	1	0	Sets the TCIV4 interrupt skipping count to 2.
0	1	1	Sets the TCIV4 interrupt skipping count to 3.
1	0	0	Sets the TCIV4 interrupt skipping count to 4.
1	0	1	Sets the TCIV4 interrupt skipping count to 5.
1	1	0	Sets the TCIV4 interrupt skipping count to 6.
1	1	1	Sets the TCIV4 interrupt skipping count to 7.

Table 21.41 Setting of Interrupt Skipping Count by T3ACOR[2:0] Bits

Bit 6	Bit 5	Bit 4	
T3ACOR2	T3ACOR1	T3ACOR0	Description
0	0	0	Does not perform TGIA3 interrupt skipping.
0	0	1	Sets the TGIA3 interrupt skipping count to 1.
0	1	0	Sets the TGIA3 interrupt skipping count to 2.
0	1	1	Sets the TGIA3 interrupt skipping count to 3.
1	0	0	Sets the TGIA3 interrupt skipping count to 4.
1	0	1	Sets the TGIA3 interrupt skipping count to 5.
1	1	0	Sets the TGIA3 interrupt skipping count to 6.
1	1	1	Sets the TGIA3 interrupt skipping count to 7.

21.2.27 Timer Interrupt Skipping Counters (TITCNT)

Address(es): MTU.TITCNT 0008 8631h



Bit	Symbol	Bit Name	Description	R/W
b2 to b0	T4VCNT[2:0]	TCIV4 Interrupt Counter	While the T4VEN bit in TITCR is set to 1, the count in these bits is incremented every time a TCIV4 interrupt occurs.	R
b3	—	Reserved	This bit is read as 0. Writing to this bit has no effect.	R
b6 to b4	T3ACNT[2:0]	TGIA3 Interrupt Counter	While the T3AEN bit in TITCR is set to 1, the count in these bits is incremented every time a TGIA3 interrupt occurs.	R
b7	—	Reserved	This bit is read as 0. Writing to this bit has no effect.	R

Note: • To clear the TITCNT, clear the T3AEN and T4VEN bits in TITCR to 0.

TITCNT is 8-bit readable counters. TITCNT retain their values even after stopping the count operation of MTU4.TCNT and MTU3.TCNT.

T4VCNT[2:0] Bits (TCIV4 Interrupt Counter)

[Clearing conditions]

- When the T4VCNT[2:0] bits in TITCNT match the T4VCNT[2:0] bits in TITCR
- When the T4VEN bit in TITCR is cleared to 0
- When the T4VCOR[2:0] bits in TITCR are cleared to 000b

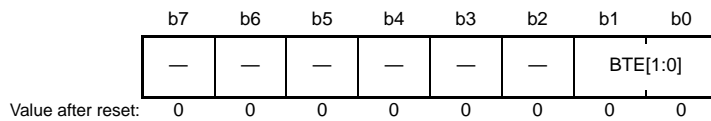
T3ACNT[2:0] Bits (TGIA3 Interrupt Counter)

[Clearing conditions]

- When the T3ACNT[2:0] bits in TITCNT match the T3ACOR[2:0] bits in TITCR
- When the T3AEN bit in TITCR is cleared to 0
- When the T3ACOR[2:0] bits in TITCR are cleared to 000b

21.2.28 Timer Buffer Transfer Set Registers (TBTER)

Address(es): MTU.TBTER 0008 8632h



Bit	Symbol	Bit Name	Description	R/W
b1, b0	BTE[1:0]	Buffer Transfer Disable and Interrupt Skipping Link Setting	These bits enable or disable transfer from the buffer registers used in complementary PWM mode to the temporary registers and specify whether to link the transfer with interrupt skipping operation. See Table 21.42 for details.	R/W
b7 to b2	—	Reserved	These bits are read as 0. The write value should be 0.	R/W

TBTER is 8-bit readable/writable registers that enable or disable transfer from the buffer registers used in complementary PWM mode to the temporary registers and specify whether to link the transfer with interrupt skipping operation.

Table 21.42 Setting of TBTER.BTE[1:0] Bits

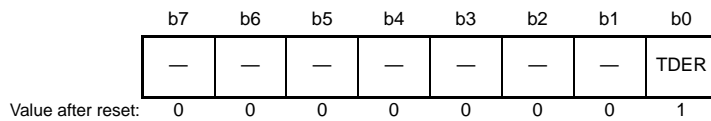
Bit 1	Bit 0	Description
BTE1	BTE0	
0	0	Enables transfer from the buffer registers to the temporary registers* ¹ and does not link the transfer with interrupt skipping operation.
0	1	Disables transfer from the buffer registers to the temporary registers.
1	0	Links transfer from the buffer registers to the temporary registers with interrupt skipping operation.* ²
1	1	Setting prohibited

Note 1. Data is transferred according to the MD3 to MD0 bit setting in TMDR. For details, refer to section 21.3.8, Complementary PWM Mode.

Note 2. When interrupt skipping is disabled (the T3AEN and T4VEN bits are cleared to 0 in the timer interrupt skipping set register (TITCR) or the skipping count set bits (T3ACOR and T4VCOR) in TITCR are cleared to 0), be sure to disable link of buffer transfer with interrupt skipping (clear the BTE1 bit in the timer buffer transfer set register (TBTER) to 0). If link with interrupt skipping is enabled while interrupt skipping is disabled, buffer transfer will not be performed.

21.2.29 Timer Dead Time Enable Registers (TDER)

Address(es): MTU.TDER 0008 8634h



Bit	Symbol	Bit Name	Description	R/W
b0	TDER	Dead Time Enable	0: No dead time is generated 1: Dead time is generated*1	R/(W)
b7 to b1	—	Reserved	These bits are read as 0. The write value should be 0.	R/W

Note 1. TDDR must be set to 1 or a larger value.

TDER is 8-bit readable/writable registers that control dead time generation in complementary PWM mode. The MTU3 has one TDER register. TDER should be modified only while TCNT stops.

TDER Bit (Dead Time Enable)

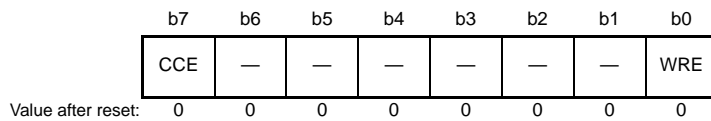
This bit specifies whether to generate dead time.

[Clearing condition]

- When 0 is written to the TDER bit after reading TDER bit = 1

21.2.30 Timer Waveform Control Registers (TWCR)

Address(es): MTU.TWCR 0008 8660h



Bit	Symbol	Bit Name	Description	R/W
b0	WRE	Initial Output Inhibition Enable	0: Initial value specified in TOCR is output 1: Initial output is inhibited	R/(W) *1
b6 to b1	—	Reserved	These bits are read as 0. The write value should be 0.	R/W
b7	CCE	Compare Match Clear Enable	0: Counters are not cleared at MTU3.TGRA compare match 1: Counters are cleared at MTU3.TGRA compare match	R/(W) *2

Note 1. Do not set this bit to 1 unless complementary PWM mode is selected.

Note 2. Do not set this bit to 1 unless complementary PWM mode 1 is selected.

TWCR is 8-bit readable/writable registers. TWCR controls the output waveform when synchronous counter clearing occurs in MTU3.TNCT and MTU4.TNCT in complementary PWM mode and specifies whether to clear the counters at MTU3.TGRA compare match.

The CCE bit and WRE bit in TWCR should be modified only while TCNT stops.

WRE Bit (Initial Output Inhibition Enable)

This bit selects the waveform output when synchronous counter clearing occurs in complementary PWM mode.

The initial output is prohibited only when synchronous clearing occurs within the T_b interval at the trough in complementary PWM mode. When synchronous clearing occurs outside this interval, the initial value specified in TOCR is output regardless of the WRE bit setting. The initial value specified in TOCR is also output when synchronous clearing occurs in the T_b interval at the trough immediately after MTU3.TCNT and MTU4.TCNT start operation.

For the T_b interval at the trough in complementary PWM mode, see Figure 21.40.

[Setting condition]

- When 1 is written to the WRE bit after reading WRE bit = 0

CCE Bit (Compare Match Clear Enable)

This bit specifies whether to clear counters at TGRA3 compare match in complementary PWM mode.

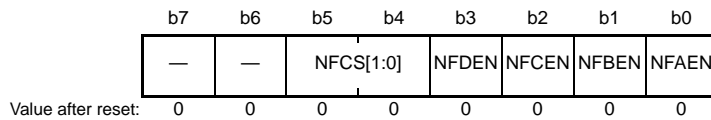
[Setting condition]

- When 1 is written to the CCE bit after reading CCE bit = 0

21.2.31 Noise Filter Control Registers (NFCR)

- NFCR (MTU0 to MTU4)

Address(es): MTU0.NFCR 0008 8690h, MTU1.NFCR 0008 8691h, MTU2.NFCR 0008 8692h, MTU3.NFCR 0008 8693h, MTU4.NFCR 0008 8694h



Bit	Symbol	Bit Name	Description	R/W
b0	NFAEN	Noise Filter A Enable Bit	0: The noise filter for the MTIOCnA pin is disabled. 1: The noise filter for the MTIOCnA pin is enabled.	R/W
b1	NFBEN	Noise Filter B Enable Bit	0: The noise filter for the MTIOCnB pin is disabled. 1: The noise filter for the MTIOCnB pin is enabled.	R/W
b2	NFCEN	Noise Filter C Enable Bit	0: The noise filter for the MTIOCnC pin is disabled. 1: The noise filter for the MTIOCnC pin is enabled.	R/W*1
b3	NFDEN	Noise Filter D Enable Bit	0: The noise filter for the MTIOCnD pin is disabled. 1: The noise filter for the MTIOCnD pin is enabled.	R/W*1
b5, b4	NFCS[1:0]	Noise Filter Clock Select	b5 b4 0 0: PCLK/1 0 1: PCLK/8 1 0: PCLK/32 1 1: The clock source for counting is the external clock.	R/W
b7, b6	—	Reserved	These bits are read as 0. The write value should be 0.	R/W

Note 1. These bits are reserved in the NFCRs for MTU1 and MTU2. These bits are read as 0, and writing to them is not possible.

MTUn.NFCR is 8-bit readable and writable register (n = 0 to 4). These registers control enabling and disabling of the noise filters for the MTIOCnm (n = 0 to 4; m = A to D) pins and sets the sampling clocks for the noise filters.

NFAEN Bit (Noise Filter A Enable)

This bit disables or enables the noise filter for input from the MTIOCnA pin. Since unexpected edges may be internally generated when the value of NFAEN is changed, select the output compare function in the timer I/O control register and set the TMDR.MD[3:0] bits to a value other than that for normal mode (0000b) before changing the value.

NFBEN Bit (Noise Filter B Enable)

This bit disables or enables the noise filter for input from the MTIOCnB pin. Since unexpected edges may be internally generated when the value of NFBEN is changed, select the output compare function in the timer I/O control register and set the TMDR.MD[3:0] bits to a value other than that for normal mode (0000b) before changing the value.

NFCEN Bit (Noise Filter C Enable)

This bit disables or enables the noise filter for input from the MTIOCnC pin. Since unexpected edges may be internally generated when the value of NFCEN is changed, select the output compare function in the timer I/O control register and set the TMDR.MD[3:0] bits to a value other than that for normal mode (0000b) before changing the value.

NFDEN Bit (Noise Filter D Enable)

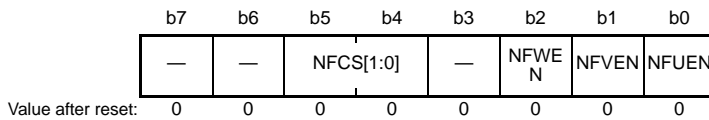
This bit disables or enables the noise filter for input from the MTIOCnD pin. Since unexpected edges may be internally generated when the value of NFDEN is changed, select the output compare function in the timer I/O control register and set the TMDR.MD[3:0] bits to a value other than that for normal mode (0000b) before changing the value.

NFCS[1:0] Bits (Noise Filter Clock Select)

These bits set the sampling interval for the noise filters. When setting the NFCS[1:0] bits, wait for two cycles of the selected sampling interval before setting the input-capture function. When the NFCS[1:0] bits are set to 11b, selecting the external clock as the source to drive counting, wait for two cycles of the external clock before setting the input-capture function.

- NFCR (MTU5)

Address(es): MTU5.NFCR 0008 8695h



Bit	Symbol	Bit Name	Description	R/W
b0	NFUEN	Noise Filter U Enable	0: The noise filter for the MTIC5U pin is disabled. 1: The noise filter for the MTIC5U pin is enabled.	R/W
b1	NFVEN	Noise Filter V Enable	0: The noise filter for the MTIC5V pin is disabled. 1: The noise filter for the MTIC5V pin is enabled.	R/W
b2	NFWEN	Noise Filter W Enable	0: The noise filter for the MTIC5W pin is disabled. 1: The noise filter for the MTIC5W pin is enabled.	R/W
b3	—	Reserved	This bit is read as 0. The write value should be 0.	R/W
b5, b4	NFCS[1:0]	Noise Filter Clock Select	b5 b4 0 0: PCLK/1 0 1: PCLK/8 1 0: PCLK/32 1 1: The clock source for counting is the external clock.	R/W
b7, b6	—	Reserved	These bits are read as 0. The write value should be 0.	R/W

MTU5.NFCR is 8-bit readable and writable register. This register controls enabling and disabling of the noise filters for the MTIC5m (m = U, V, W) pins and sets the sampling clock for the noise filters.

NFUEN Bit (Noise Filter U Enable)

This bit disables or enables the noise filter for input from the MTIC5U pin. Since unexpected edges may be internally generated when the value of NFUEN is changed, select the compare-match function in the timer I/O control register before changing the value.

NFVEN Bit (Noise Filter V Enable)

This bit disables or enables the noise filter for input from the MTIC5V pin. Since unexpected edges may be internally generated when the value of NFVEN is changed, select the compare-match function in the timer I/O control register before changing the value.

NFWEN Bit (Noise Filter W Enable)

This bit disables or enables the noise filter for input from the MTIC5W pin. Since unexpected edges may be internally generated when the value of NFWEN is changed, select the compare-match function in the timer I/O control register before changing the value.

NFCS[1:0] Bits (Noise Filter Clock Select)

These bits set the sampling interval for the noise filters. When setting the NFCS[1:0] bits, wait for two cycles of the selected sampling interval before setting the input-capture function.

21.2.32 Bus Master Interface

The timer counters (TCNT), general registers (TGR), timer subcounter (TCNTS), timer cycle buffer register (TCBR), timer dead time data register (TDDR), timer cycle data register (TCDR), timer A/D converter start request control register (TADCR), timer A/D converter start request cycle set registers (TADCORA/B), and timer A/D converter start request cycle set buffer registers (TADCOBRA/B) are 16-bit registers. A 16-bit data bus to the bus master enables 16-bit read/write access. 8-bit read/write is not allowed. Always access the registers in 16-bit units.

All registers other than the above registers are 8-bit registers, so read/write access should be performed in 8-bit units.

21.3 Operation

21.3.1 Basic Functions

Each channel has TCNT and TGR. TCNT performs up-counting, and is also capable of free-running operation, periodic counting, and external event counting.

Each TGR can be used as an input capture register or an output compare register.

(1) Counter Operation

When one of bits CST0 to CST4 in TSTR or bits CSTU5, CSTV5, and CSTW5 in MTU5.TSTR is set to 1, TCNT for the corresponding channel begins counting. TCNT can operate as a free-running counter, periodic counter, for example.

(a) Example of Count Operation Setting Procedure

Figure 21.4 shows an example of the count operation setting procedure.

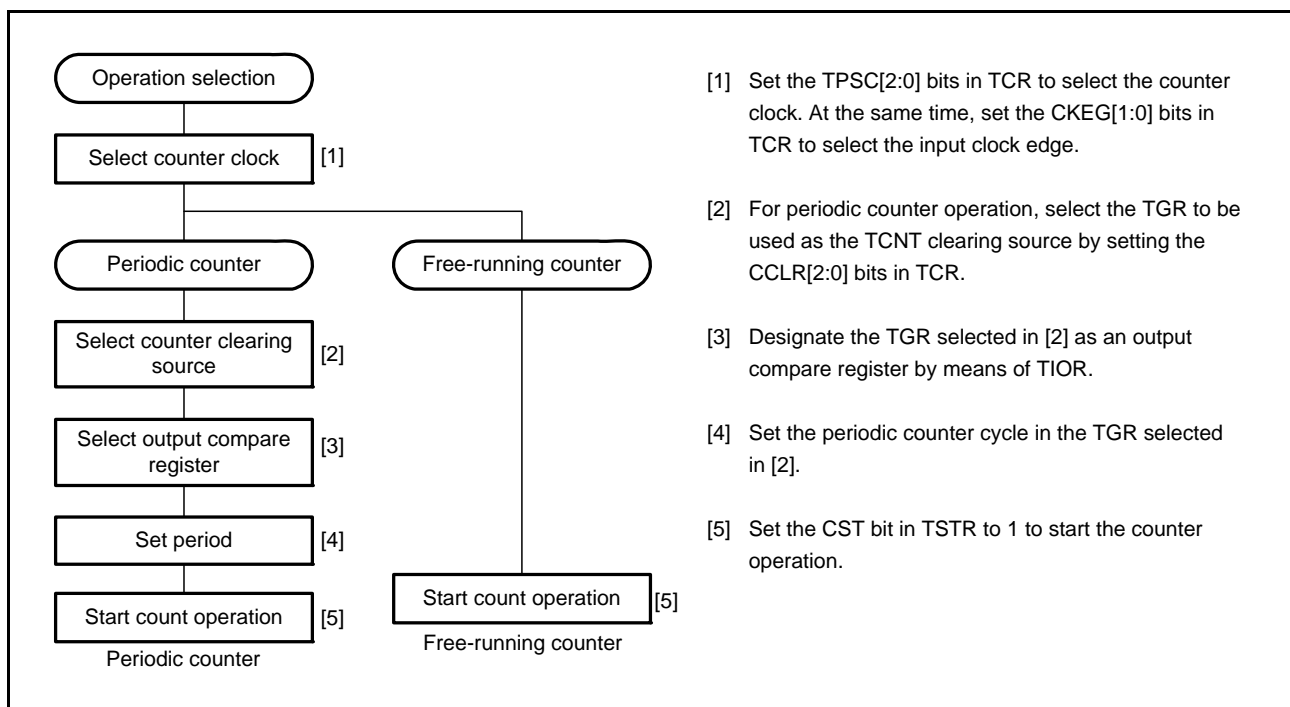


Figure 21.4 Example of Counter Operation Setting Procedure

(b) Free-Running Count Operation and Periodic Count Operation

Immediately after a reset, the MTU's TCNT counters are all designated as free-running counters. When the relevant bit in TSTR is set to 1, the corresponding TCNT counter starts up-count operation as a free-running counter. When TCNT overflows (from FFFFh to 0000h), the MTU requests an interrupt if the corresponding TCIEV bit in TIER is 1. After an overflow, TCNT starts counting up again from 0000h.

Figure 21.5 illustrates free-running counter operation.

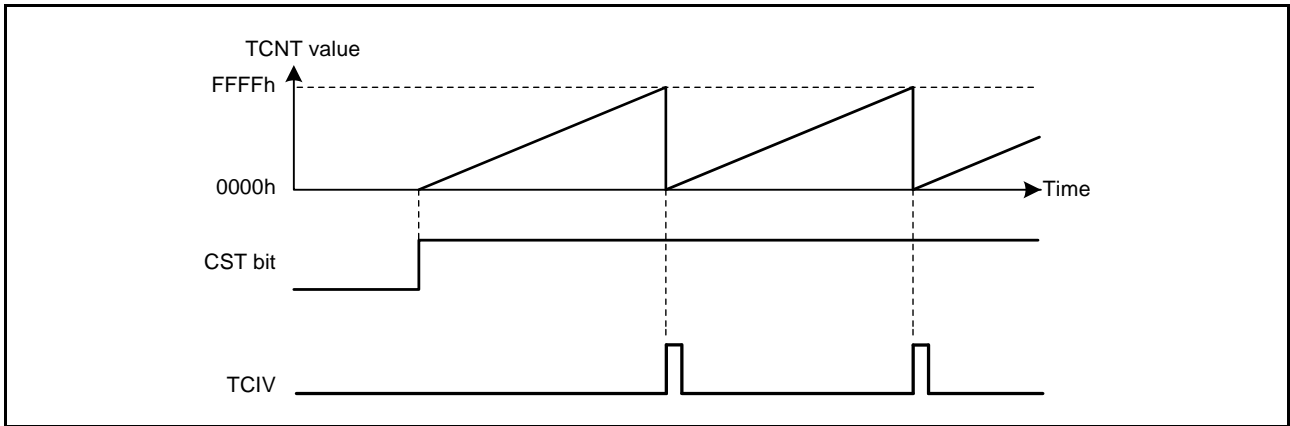


Figure 21.5 Free-Running Counter Operation

When compare match is selected as the TCNT clearing source, TCNT for the relevant channel performs periodic count operation. TGR for setting the cycle is designated as an output compare register, and counter clearing by compare match is selected by means of bits CCLR[2:0] in TCR. After the settings have been made, TCNT starts up-count operation as a periodic counter when the corresponding bit in TSTR is set to 1. When the count matches the value in TGR, TCNT is cleared to 0000h.

If the value of the corresponding TGIE bit in TIER is 1 at this point, the MTU requests an interrupt. After a compare match, TCNT starts counting up again from 0000h.

Figure 21.6 illustrates periodic counter operation.

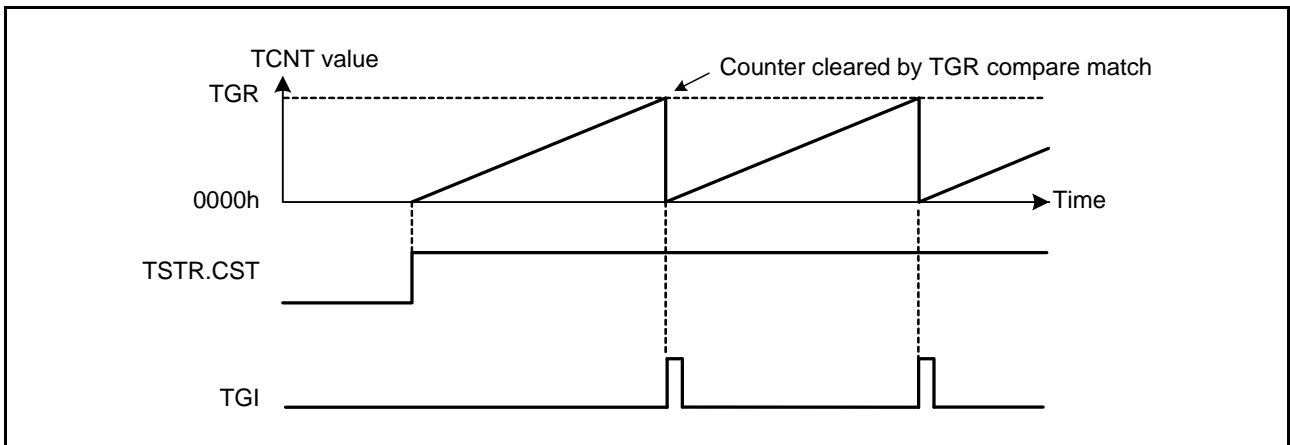


Figure 21.6 Periodic Counter Operation

(2) Waveform Output by Compare Match

The MTU can output low or high or toggle output from the corresponding output pin using compare match.

(a) Example of Procedure for Setting Waveform Output by Compare Match

Figure 21.7 shows an example of the procedure for setting waveform output by compare match

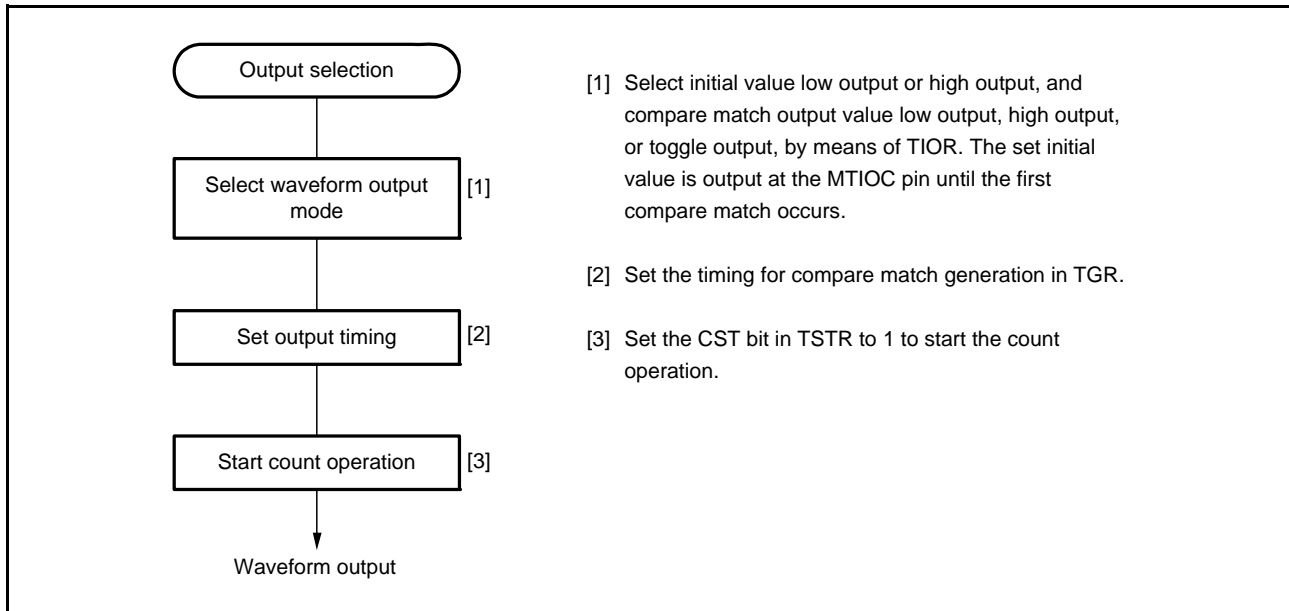


Figure 21.7 Example of Procedure for Setting Waveform Output by Compare Match

(b) Examples of Waveform Output Operation

Figure 21.8 shows an example of low output and high output.

In this example, TCNT has been designated as a free-running counter, and settings have been made so that high is output by compare match A and low is output by compare match B. When the pin level is the same as the specified level, the pin level does not change.

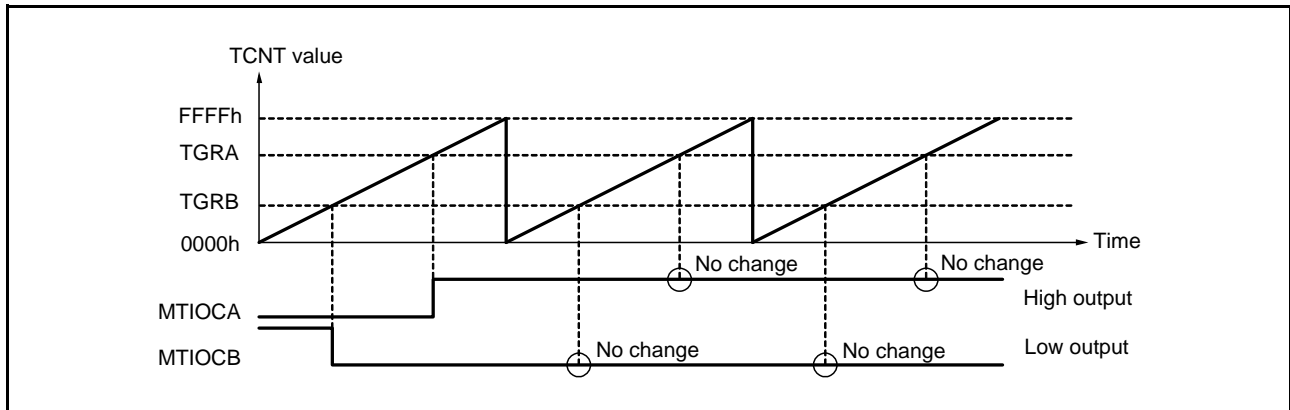


Figure 21.8 Example of Low Output and High Output Operation

Figure 21.9 shows an example of toggle output.

In this example, TCNT has been designated as a periodic counter (with counter clearing on compare match B), and settings have been made so that the output is toggled by both compare match A and compare match B.

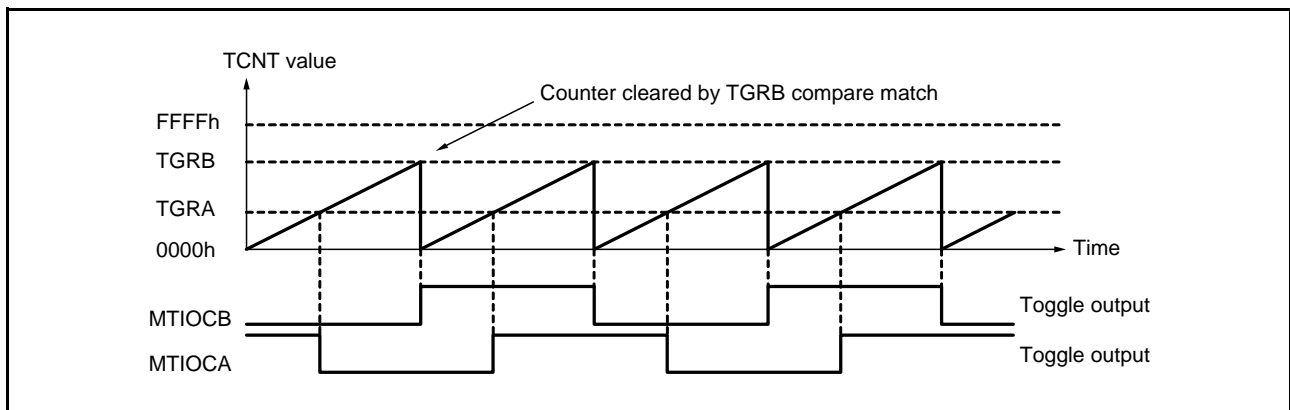


Figure 21.9 Example of Toggle Output Operation

(3) Input Capture Function

The TCNT value can be transferred to TGR on detection of the MTIOC pin input edge.

The rising edge, falling edge, or both edges can be selected as the detection edge. For MTU0 and MTU1, another channel's counter input clock or compare match signal can also be specified as the input capture source.

Note: • When another channel's counter input clock is used as the input capture input for MTU0 and MTU1, PCLK/1 should not be selected as the counter input clock used for input capture input. Input capture will not be generated if PCLK/1 is selected.

(a) Example of Input Capture Operation Setting Procedure

Figure 21.10 shows an example of the input capture operation setting procedure.

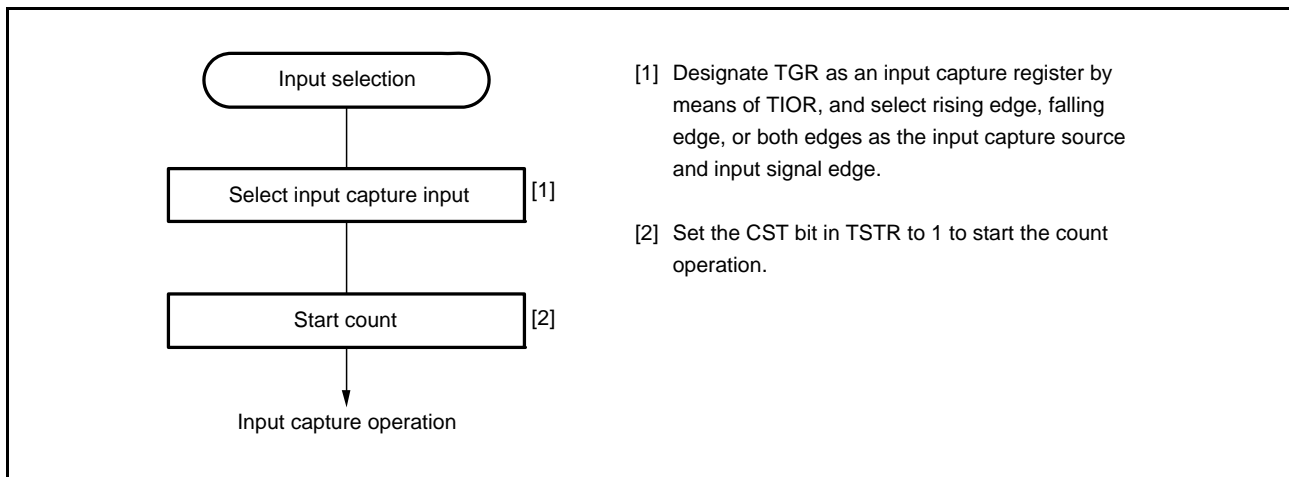


Figure 21.10 Example of Input Capture Operation Setting Procedure

(b) Example of Input Capture Operation

Figure 21.11 shows an example of input capture operation.

In this example, both rising and falling edges have been selected as the MTIOCnA pin input capture input edge, the falling edge has been selected as the MTIOCnB pin input capture input edge, and counter clearing by TGRB input capture has been designated for TCNT.

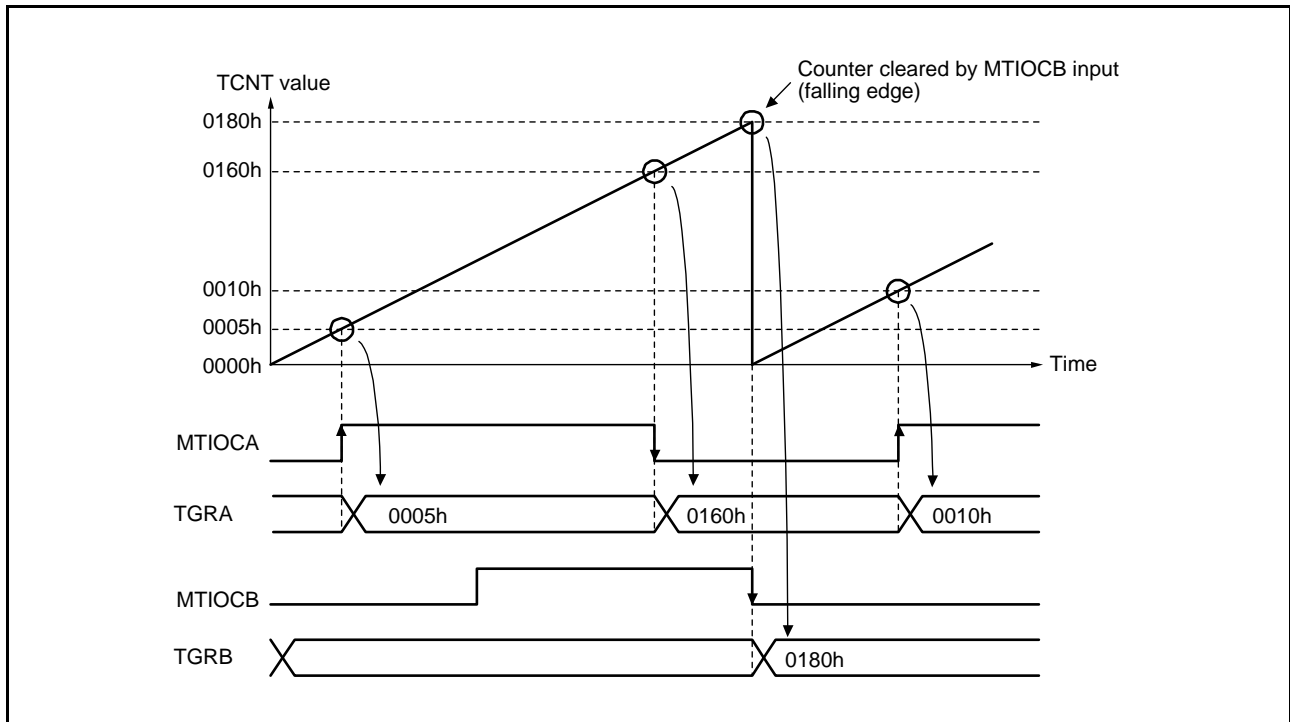


Figure 21.11 Example of Input Capture Operation

21.3.2 Synchronous Operation

In synchronous operation, the values in multiple TCNT counters can be modified simultaneously (synchronous presetting). In addition, multiple TCNT counters can be cleared simultaneously (synchronous clearing) by making the appropriate setting in TCR.

Synchronous operation increases the number of TGR registers assigned to a single time base.

MTU0 to MTU4 can all be designated for synchronous operation.

MTU5 cannot be used for synchronous operation.

(1) Example of Synchronous Operation Setting Procedure

Figure 21.12 shows an example of the synchronous operation setting procedure.

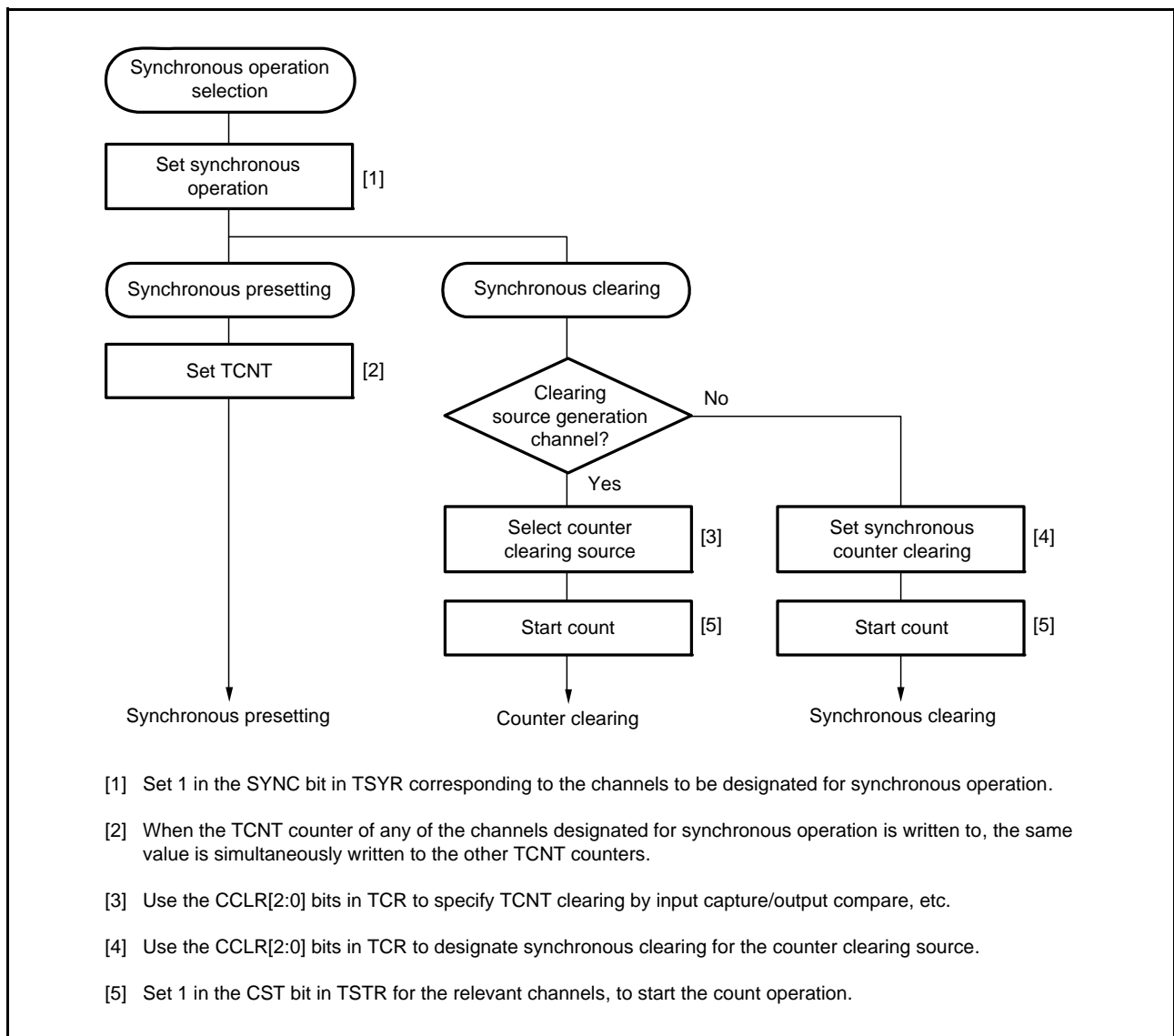


Figure 21.12 Example of Synchronous Operation Setting Procedure

(2) Example of Synchronous Operation

Figure 21.13 shows an example of synchronous operation.

In this example, synchronous operation and PWM mode 1 have been designated for MTU0 to MTU2, MTU0.TGRB compare match has been set as the counter clearing source in MTU0, and synchronous clearing has been set for the counter clearing source in MTU1 and MTU2.

Three-phase PWM waveforms are output from pins MTIOC0A, MTIOC1A, and MTIOC2A. At this time, synchronous presetting and synchronous clearing by MTU0.TGRB compare match are performed for the TCNT counters in MTU0 to MTU2, and the data set in MTU0.TGRB is used as the PWM cycle.

For details of PWM modes, see section 21.3.5, PWM Modes.

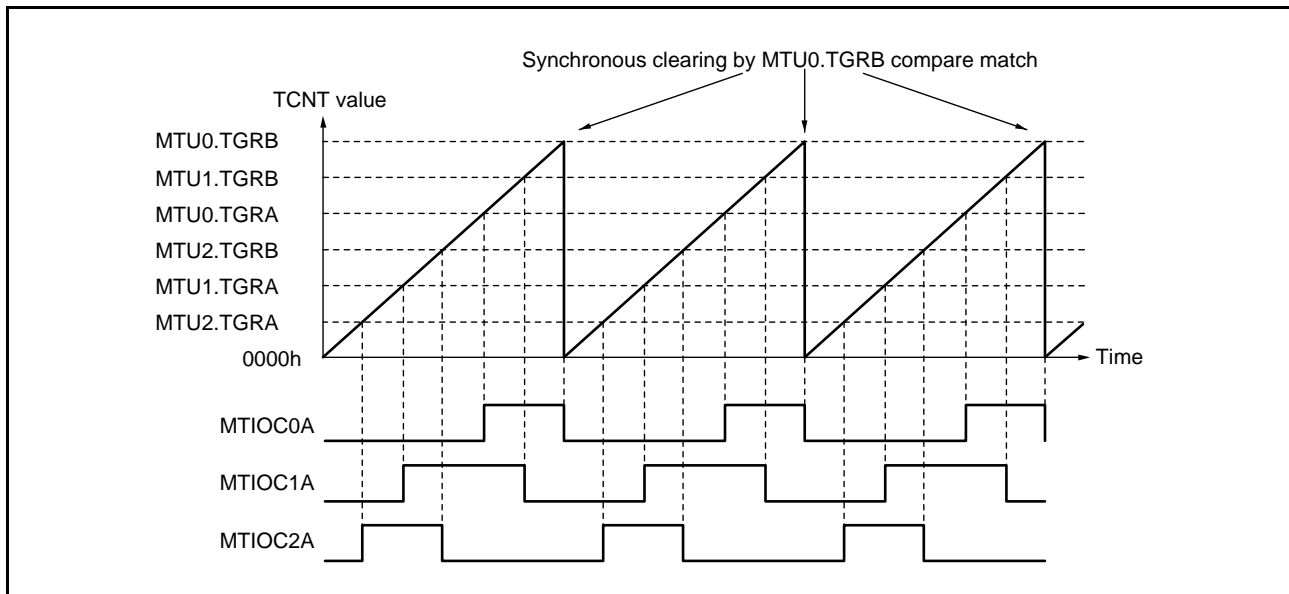


Figure 21.13 Example of Synchronous Operation

21.3.3 Buffer Operation

Buffer operation, provided for MTU0, MTU3, and MTU4, enables TGRC and TGRD to be used as buffer registers. In MTU0, TGRF can also be used as a buffer register.

Buffer operation differs depending on whether TGR has been designated as an input capture register or as a compare match register.

Note: • MTU0.TGRE cannot be designated as an input capture register and can only operate as a compare match register.

Table 21.43 shows the register combinations used in buffer operation.

Table 21.43 Register Combinations in Buffer Operation

Channel	Timer General Register	Buffer Register
MTU0	TGRA	TGRC
	TGRB	TGRD
	TGRE	TGRF
MTU3	TGRA	TGRC
	TGRB	TGRD
MTU4	TGRA	TGRC
	TGRB	TGRD

- When TGR is an output compare register

When a compare match occurs, the value in the buffer register for the corresponding channel is transferred to the timer general register.

This operation is illustrated in Figure 21.14.

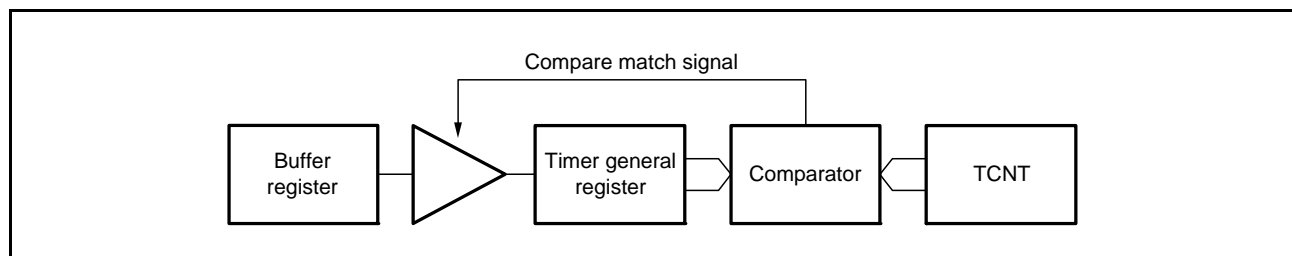


Figure 21.14 Compare Match Buffer Operation

- When TGR is an input capture register

When an input capture occurs, the value in TCNT is transferred to TGR and the value previously held in TGR is transferred to the buffer register.

This operation is illustrated in Figure 21.15.

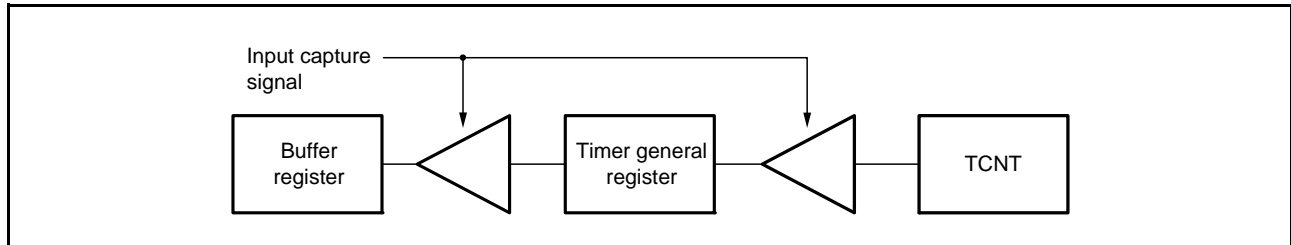


Figure 21.15 Input Capture Buffer Operation

(1) Example of Buffer Operation Setting Procedure

Figure 21.16 shows an example of the buffer operation setting procedure.

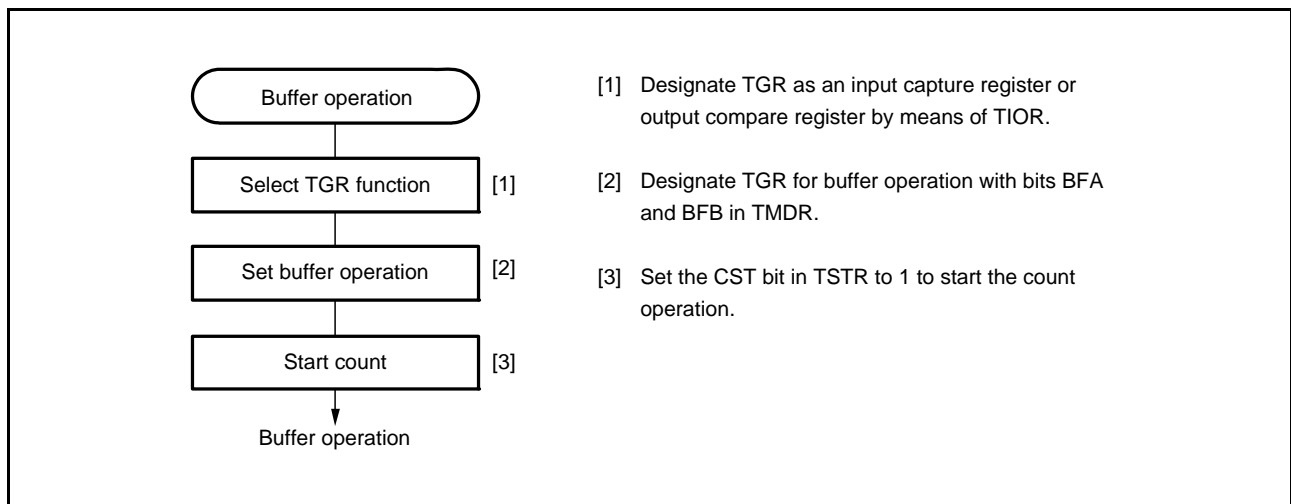


Figure 21.16 Example of Buffer Operation Setting Procedure

(2) Examples of Buffer Operation

(a) When TGR is an Output Compare Register

Figure 21.17 shows an operation example in which PWM mode 1 has been designated for MTU0, and buffer operation has been designated for TGRA and TGRC. The settings used in this example are TCNT clearing by compare match B, high output at compare match A, and low output at compare match B. In this example, the TTSA bit in TBTM is cleared to 0.

As buffer operation has been set, when compare match A occurs, the output changes and the value in buffer register TGRC is simultaneously transferred to timer general register TGRA. This operation is repeated each time compare match A occurs.

For details of PWM modes, see section 21.3.5, PWM Modes.

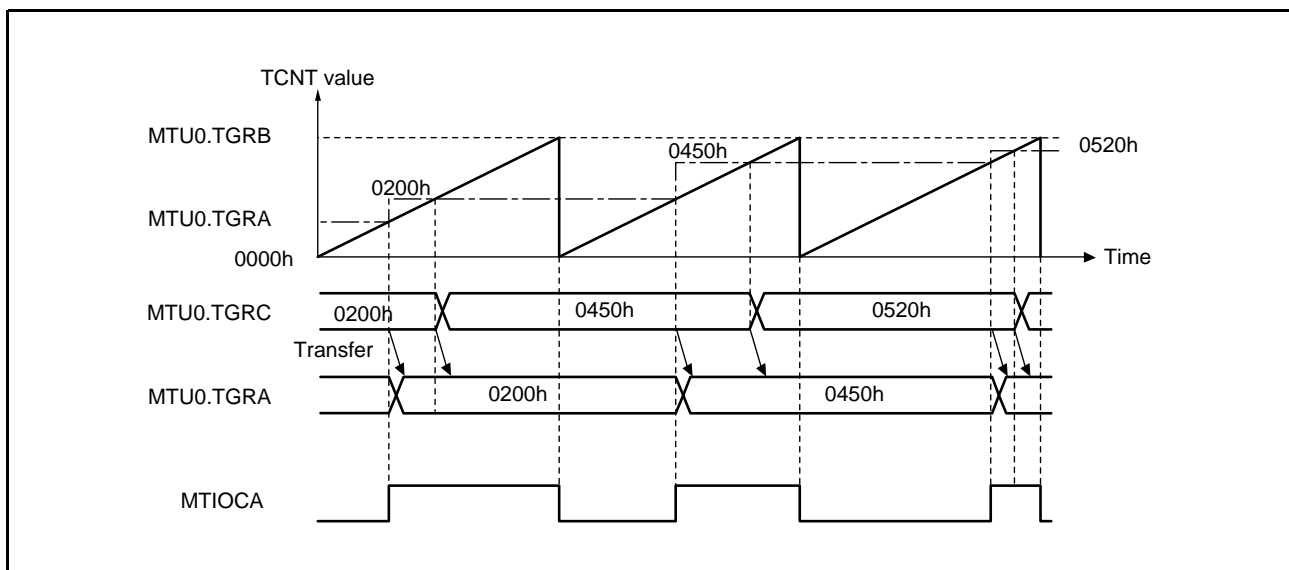


Figure 21.17 Example of Buffer Operation (1)

(b) When TGR is an Input Capture Register

Figure 21.18 shows an operation example in which TGRA has been designated as an input capture register, and buffer operation has been designated for TGRA and TGRC.

Counter clearing by TGRA input capture has been set for TCNT, and both rising and falling edges have been selected as the MTIOcNA pin input capture input edge.

As buffer operation has been set, when the TCNT value is stored in TGRA upon occurrence of input capture A, the value previously stored in TGRA is simultaneously transferred to TGRC.

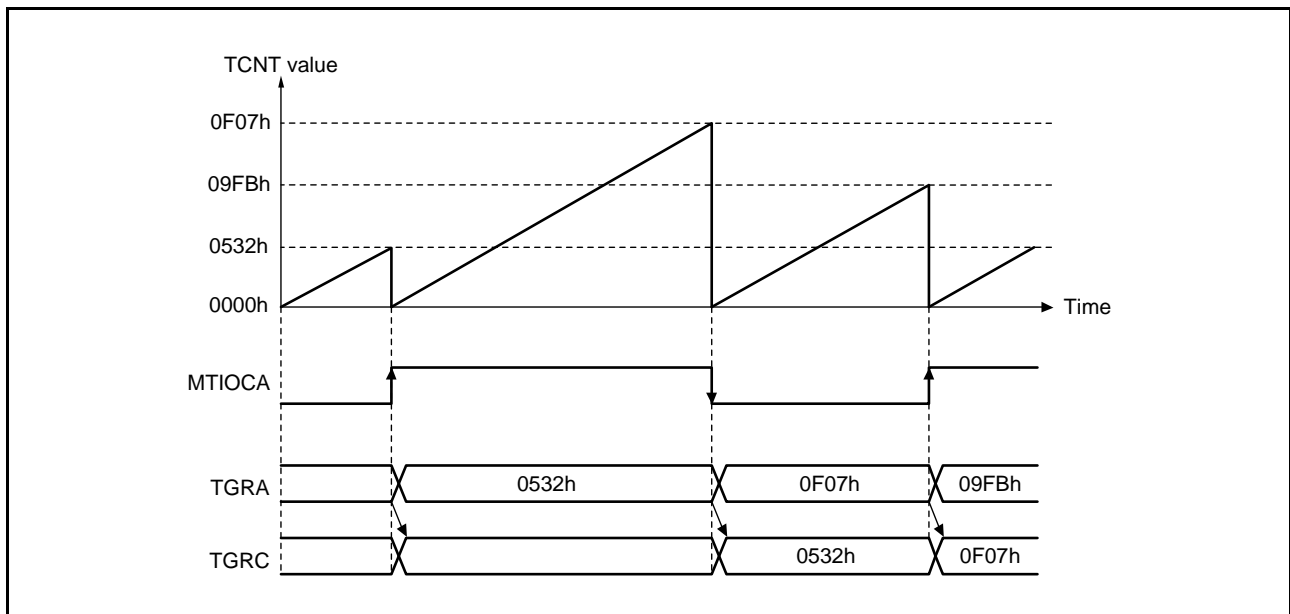


Figure 21.18 Example of Buffer Operation (2)

(3) Selecting Timing for Transfer from Buffer Registers to Timer General Registers in Buffer Operation

The timing for transfer from buffer registers to timer general registers can be selected in PWM mode 1 or 2 for MTU0 or in PWM mode 1 for MTU3 and MTU4 by setting the buffer operation transfer mode registers (MTU0.TBTM, MTU3.TBTM, and MTU4.TBTM). Either compare match (initial setting) or TCNT clearing can be selected for the transfer timing. TCNT clearing as transfer timing is one of the following cases.

- When TCNT overflows (FFFFh → 0000h)
- When 0000h is written to TCNT during counting
- When TCNT is cleared to 0000h under the condition specified in the CCLR[2:0] bits in TCR

Note: • TBTM must be modified only while TCNT stops.

Figure 21.19 shows an operation example in which PWM mode 1 is designated for MTU0 and buffer operation is designated for MTU0.TGRA and MTU0.TGRC. The settings used in this example are MTU0.TCNT clearing by compare match B, high output at compare match A, and low output at compare match B. The TTSA bit in MTU0.TBTM is set to 1.

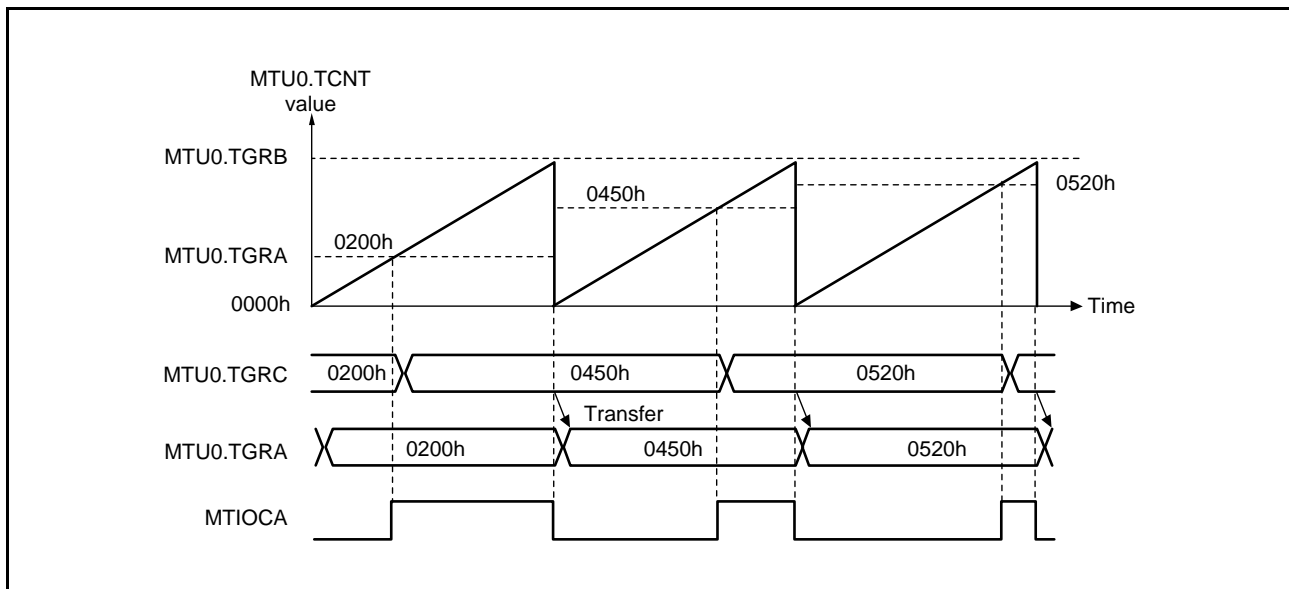


Figure 21.19 Example of Buffer Operation When MTU0.TCNT Clearing is Selected for MTU0.TGRC-to-MTU0.TGRA Transfer Timing

21.3.4 Cascaded Operation

In cascaded operation, 16-bit counters in different two channels are used together as a 32-bit counter.

This function works when overflow/underflow of MTU2.TCNT is selected as the counter clock for MTU1 through the TPSC[2:0] bits in TCR.

Underflow occurs only when the lower 16 bits of TCNT is in phase counting mode.

Table 21.44 lists the register combinations used in cascaded operation.

Note: • When phase counting mode is set for MTU1 or MTU2, the counter clock setting is invalid and the counters operate independently in phase counting mode.

Table 21.44 Cascaded Combinations

Combination	Upper 16 Bits	Lower 16 Bits
MTU1 and MTU2	MTU1.TCNT	MTU2.TCNT

For simultaneous input capture of MTU1.TCNT and MTU2.TCNT during cascaded operation, additional input capture input pins can be specified by the input capture control register (TICCR). The input-capture condition is of edges in the signal produced by taking the logical OR of the input level on the main input pin and the input level on the added input pin. Accordingly, if either is at the high, a change in the level of the other will not produce an edge for detection. For details, see (4) Cascaded Operation Example (c). For input capture in cascade connection, refer to section 21.6.22, Simultaneous Input Capture in MTU1.TCNT and MTU2.TCNT in Cascade Connection.

Table 21.45 lists the TICCR setting and input capture input pins.

Table 21.45 TICCR Setting and Input Capture Input Pins

Target Input Capture	TICCR Setting	Input Capture Input Pin
Input capture from MTU1.TCNT to MTU1.TGRA	I2AE bit = 0 (initial value)	MTIOC1A
	I2AE bit = 1	MTIOC1A, MTIOC2A
Input capture from MTU1.TCNT to MTU1.TGRB	I2BE bit = 0 (initial value)	MTIOC1B
	I2BE bit = 1	MTIOC1B, MTIOC2B
Input capture from MTU2.TCNT to MTU2.TGRA	I1AE bit = 0 (initial value)	MTIOC2A
	I1AE bit = 1	MTIOC2A, MTIOC1A
Input capture from MTU2.TCNT to MTU2.TGRB	I1BE bit = 0 (initial value)	MTIOC2B
	I1BE bit = 1	MTIOC2B, MTIOC1B

(1) Example of Cascaded Operation Setting Procedure

Figure 21.20 shows an example of the cascaded operation setting procedure.

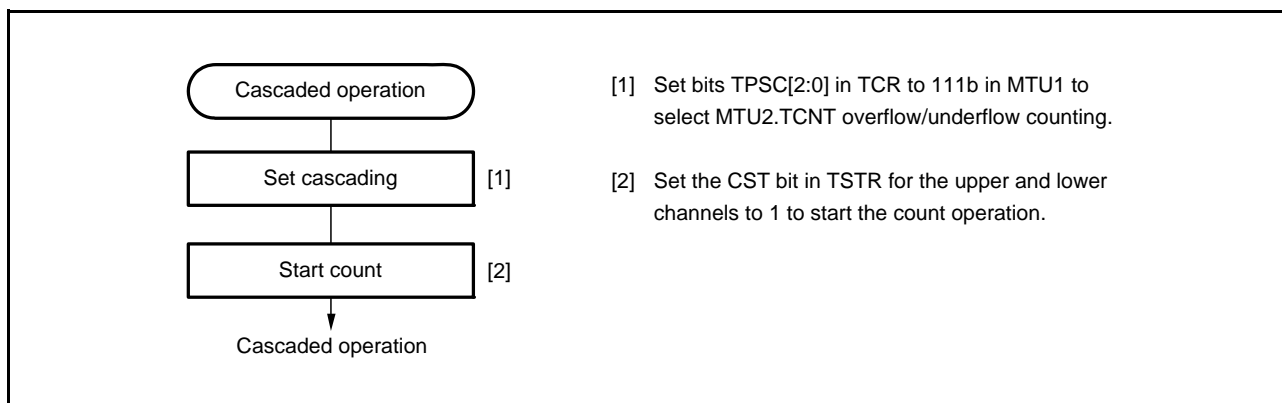


Figure 21.20 Cascaded Operation Setting Procedure

(2) Cascaded Operation Example (a)

Figure 21.21 illustrates the operation when MTU2.TCNT overflow/underflow counting has been set for MTU1.TCNT and phase counting mode has been designated for MTU2.

MTU1.TCNT is incremented by MTU2.TCNT overflow and decremented by MTU2.TCNT underflow.

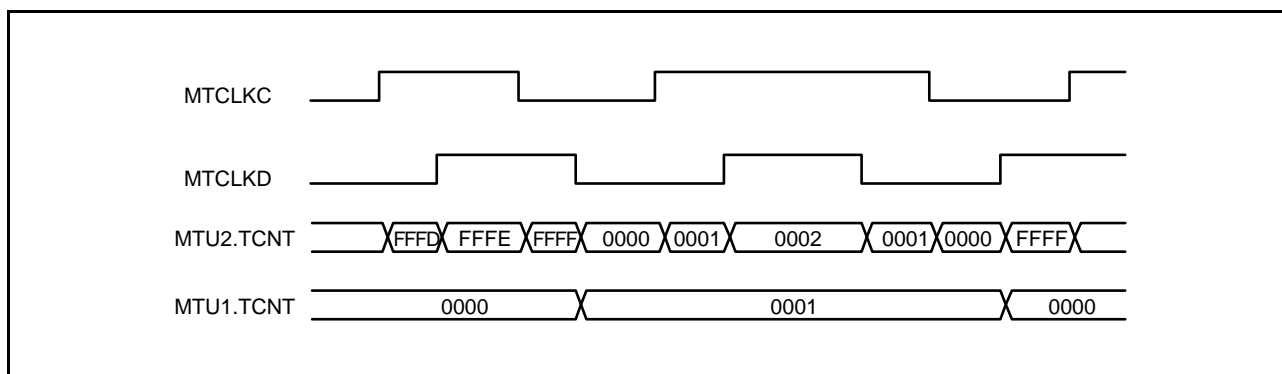


Figure 21.21 Cascaded Operation Example (a)

(3) Cascaded Operation Example (b)

Figure 21.22 illustrates the operation when MTU1.TCNT and MTU2.TCNT have been cascaded and the I2AE bit in TICCR has been set to 1 to include the MTIOC2A pin in the MTU1.TGRA input capture conditions. In this example, the IOA3 to IOA0 bits in MTU1.TIOR have selected the MTIOC1A rising edge for the input capture timing while the IOA3 to IOA0 bits in MTU2.TIOR have selected the MTIOC2A rising edge for the input capture timing.

Under these conditions, the rising edge of both MTIOC1A and MTIOC2A is used for the MTU1.TGRA input capture condition. For the MTU2.TGRA input capture condition, the MTIOC2A rising edge is used.

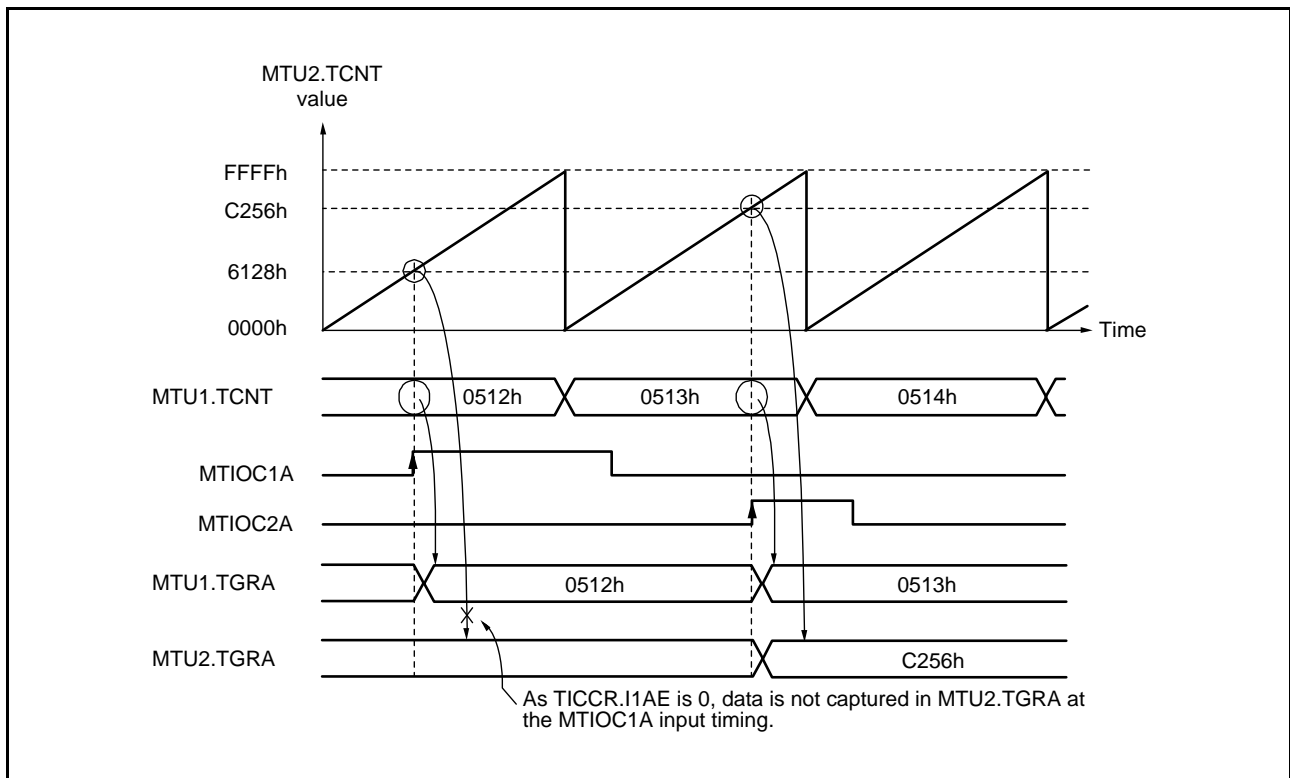


Figure 21.22 Cascaded Operation Example (b)

(4) Cascaded Operation Example (c)

Figure 21.23 illustrates the operation when MTU1.TCNT and MTU2.TCNT have been cascaded and the I2AE and I1AE bits in TICCR have been set to 1 to include the MTIOC2A and MTIOC1A pins in the MTU1.TGRA and MTU2.TGRA input capture conditions, respectively. In this example, the IOA3 to IOA0 bits in both MTU1.TIOR and MTU2.TIOR have selected both the rising and falling edges for the input capture timing. Under these conditions, the OR result of MTIOC1A and MTIOC2A input is used for the MTU1.TGRA and MTU2.TGRA input capture conditions.

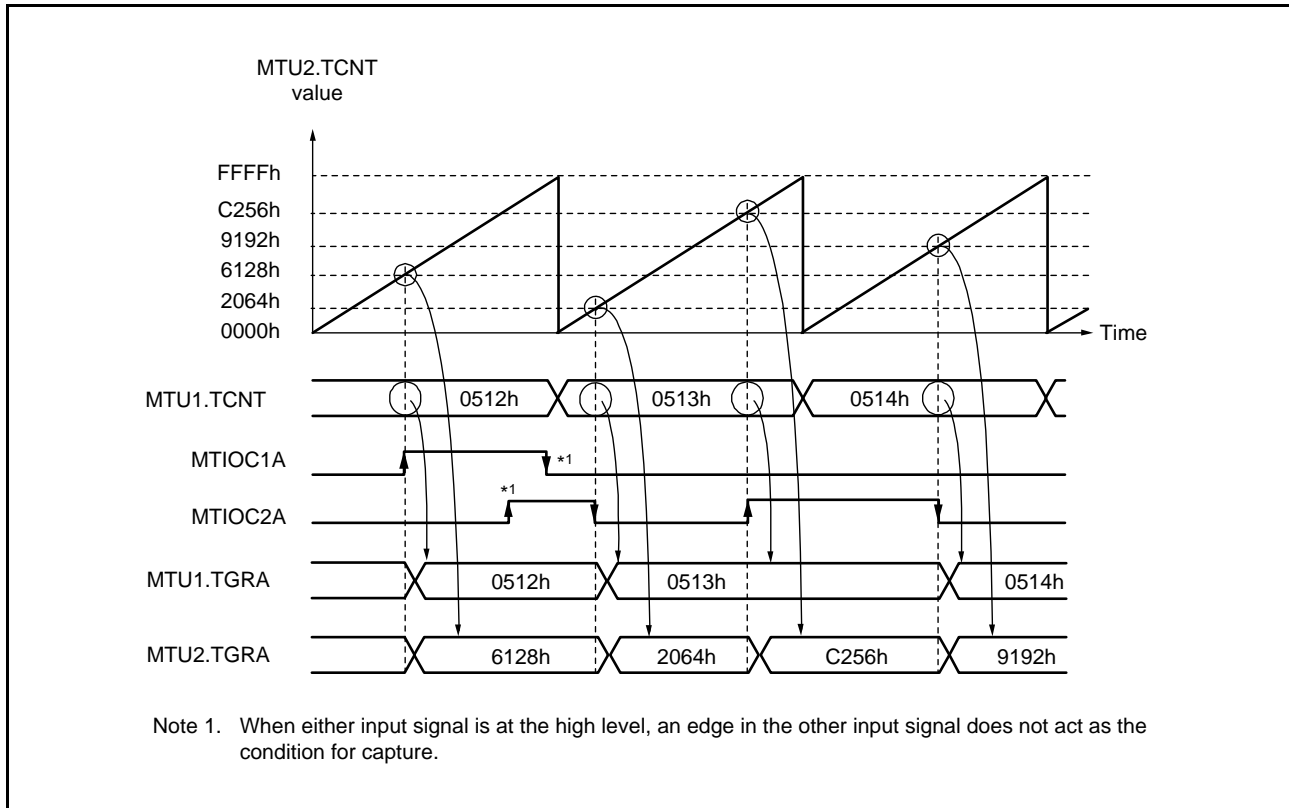


Figure 21.23 Cascaded Operation Example (c)

(5) Cascaded Operation Example (d)

Figure 21.24 illustrates the operation when MTU1.TCNT and MTU2.TCNT have been cascaded and the I2AE bit in TICCR has been set to 1 to include the MTIOC2A pin in the MTU1.TGRA input capture conditions. In this example, the IOA3 to IOA0 bits in MTU1.TIOR have selected occurrence of MTU0.TGRA compare match or input capture for the input capture timing while the IOA3 to IOA0 bits in MTU2.TIOR have selected the MTIOC2A rising edge for the input capture timing.

Under these conditions, as MTU1.TIOR has selected occurrence of MTU0.TGRA compare match or input capture for the input capture timing, the MTIOC2A edge is not used for MTU1.TGRA input capture condition although the I2AE bit in TICCR has been set to 1.

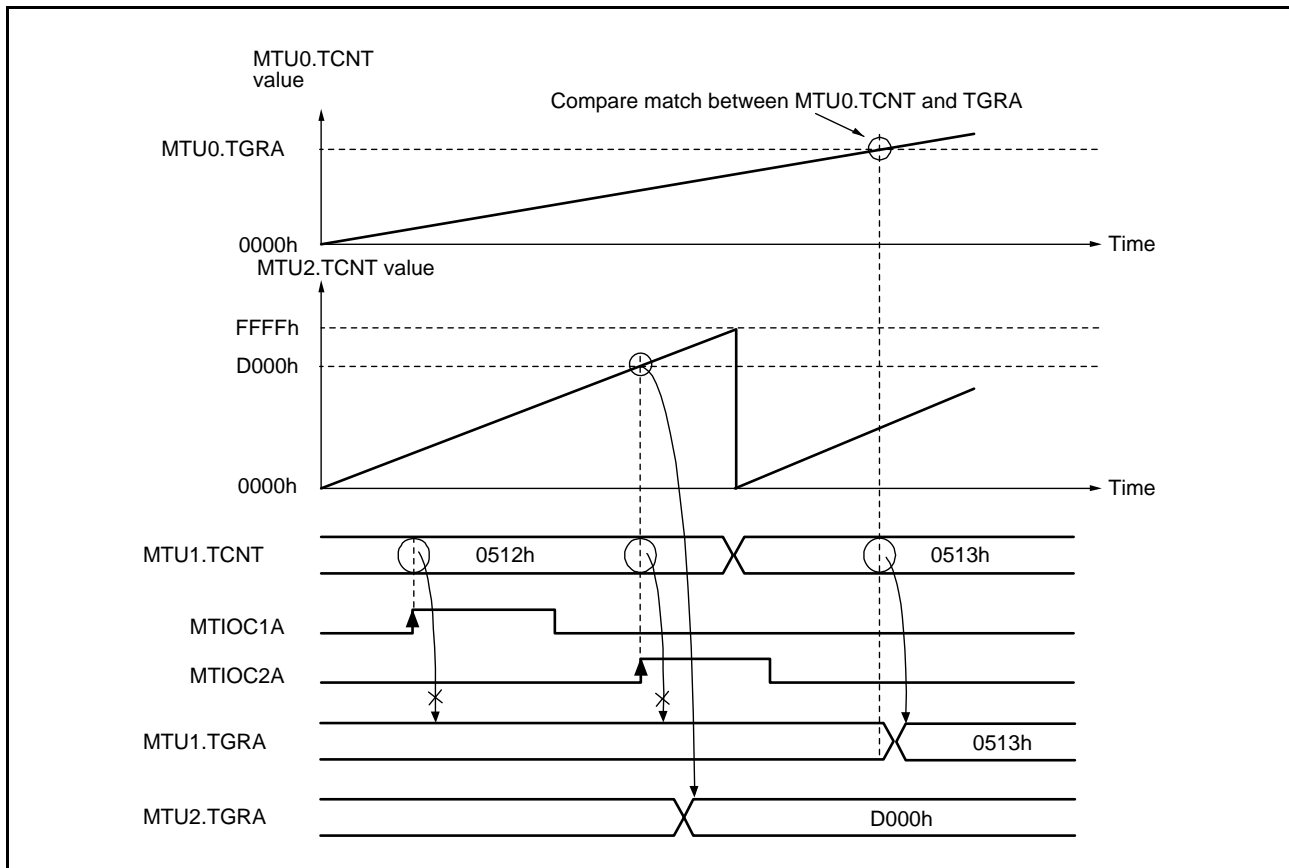


Figure 21.24 Cascaded Operation Example (d)

21.3.5 PWM Modes

PWM modes are provided to output PWM waveforms from the external pins. The output level can be selected as low, high, or toggle output in response to a compare match of each TGR.

PWM waveforms in the range of 0% to 100% duty cycle can be output according to the TGR settings.

By designating TGR compare match as the counter clearing source, the PWM cycle can be specified in that register.

Every channel can be set to PWM mode independently. Synchronous operation is also possible.

There are two PWM modes as described below.

(a) PWM Mode 1

PWM waveforms are output from the MTIOCnA and MTIOCnC pins by pairing TGRA with TGRB and TGRC with TGRD. The levels specified by bits IOA3 to IOA0 and IOC3 to IOC0 in TIOR are output from the MTIOCnA and MTIOCnC pins at compare matches A and C, and the levels specified by bits IOB3 to IOB0 and IOD3 to IOD0 in TIOR are output at compare matches B and D. The initial output value is set in TGRA or TGRC. If the values set in paired TGRs are identical, the output value does not change even when a compare match occurs.

In PWM mode 1, up to eight phases of PWM waveforms can be output.

(b) PWM Mode 2

PWM output is generated using one TGR as the cycle register and the others as duty registers. The level specified in TIOR is output at compare matches. Upon counter clearing by a synchronized register compare match, the initial value set in TIOR is output from each pin. If the values set in the cycle and duty registers are identical, the output value does not change even when a compare match occurs.

In PWM mode 2, up to eight phases of PWM waveforms can be output when using synchronous operation in combination.

The correspondence between PWM output pins and registers is listed in Table 21.46.

Table 21.46 PWM Output Registers and Output Pins

Channel	Register	Output Pins	
		PWM Mode 1	PWM Mode 2
MTU0	MTU0.TGRA	MTIOC0A	MTIOC0A
	MTU0.TGRB		MTIOC0B
	MTU0.TGRC	MTIOC0C	MTIOC0C
	MTU0.TGRD		MTIOC0D
MTU1	MTU1.TGRA	MTIOC1A	MTIOC1A
	MTU1.TGRB		MTIOC1B
MTU2	MTU2.TGRA	MTIOC2A	MTIOC2A
	MTU2.TGRB		MTIOC2B
MTU3	MTU3.TGRA	MTIOC3A	Setting prohibited
	MTU3.TGRB		
	MTU3.TGRC	MTIOC3C	
	MTU3.TGRD		
MTU4	MTU4.TGRA	MTIOC4A	
	MTU4.TGRB		
	MTU4.TGRC	MTIOC4C	
	MTU4.TGRD		

Note: • In PWM mode 2, PWM output is not possible for the TGR register in which the PWM cycle is set.

(1) Example of PWM Mode Setting Procedure

Figure 21.25 shows an example of the PWM mode setting procedure.

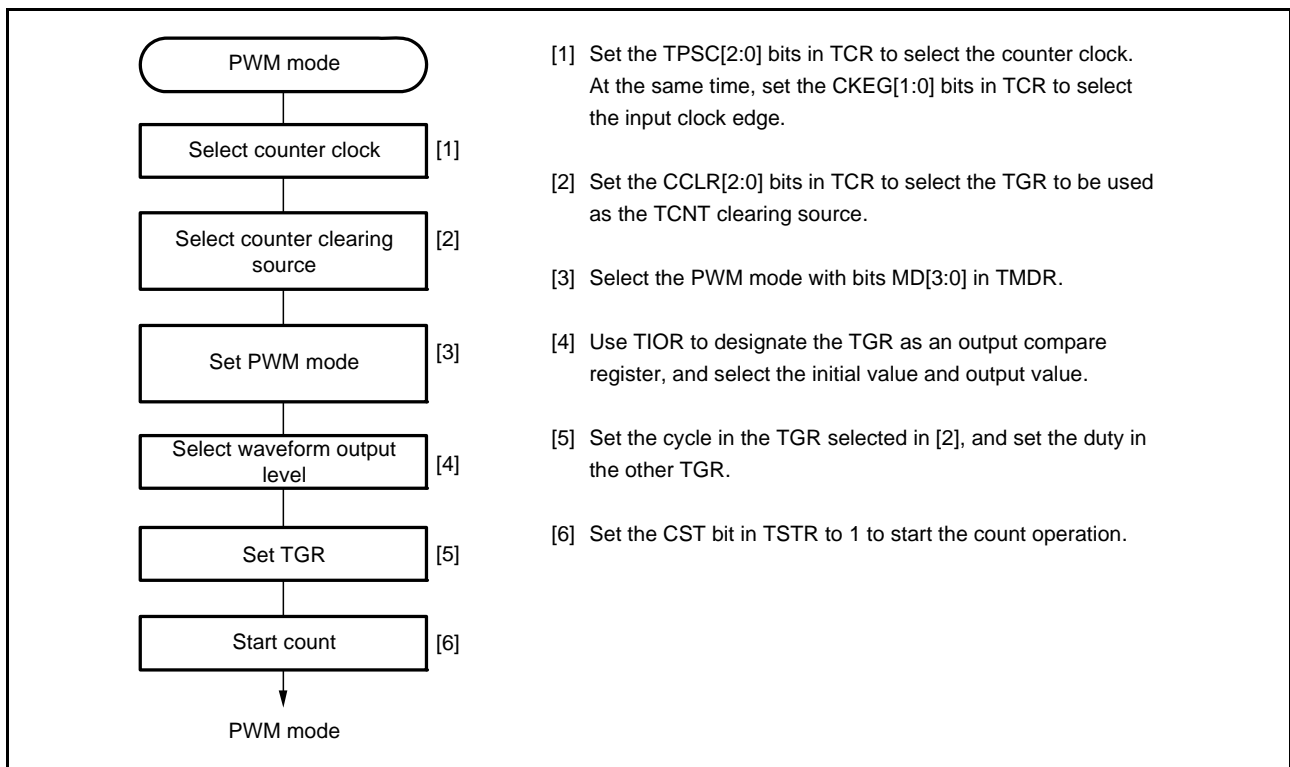


Figure 21.25 Example of PWM Mode Setting Procedure

(2) Examples of PWM Mode Operation

Figure 21.26 shows an example of operation in PWM mode 1.

In this example, TGRA compare match is set as the TCNT clearing source, low is set as the initial output value and output value for TGRA, and high is set as the output value for TGRB.

In this case, the value set in TGRA is used as the cycle, and the value set in TGRB is used as the duty.

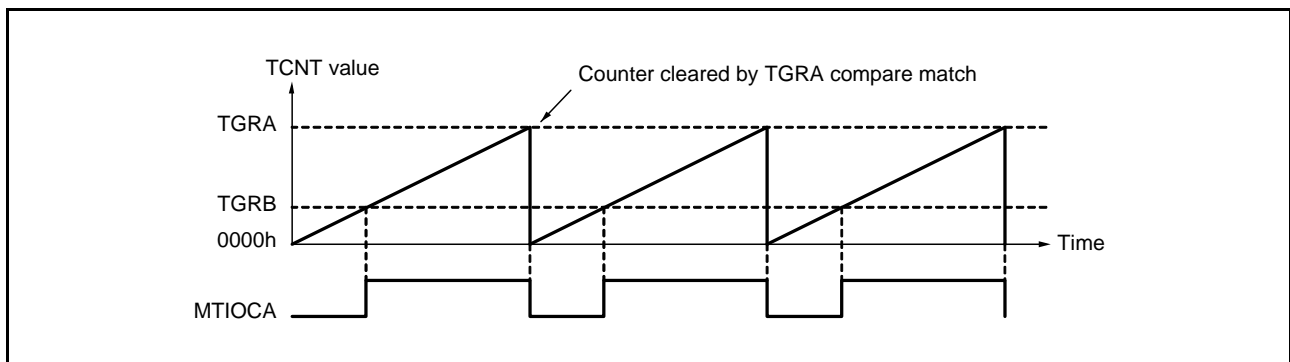


Figure 21.26 Example of PWM Mode Operation

Figure 21.27 shows an example of operation in PWM mode 2.

In this example, synchronous operation is designated for MTU0 and MTU1, MTU1.TGRB compare match is set as the TCNT clearing source, and Low is set as the initial output value and High as the output value for the other TGR registers (MTU0.TGRA to MTU0.TGRD and MTU1.TGRA), outputting 5-phase PWM waveforms.

In this case, the value set in MTU1.TGRB is used as the cycle, and the values set in the other TGRs are used as the duty.

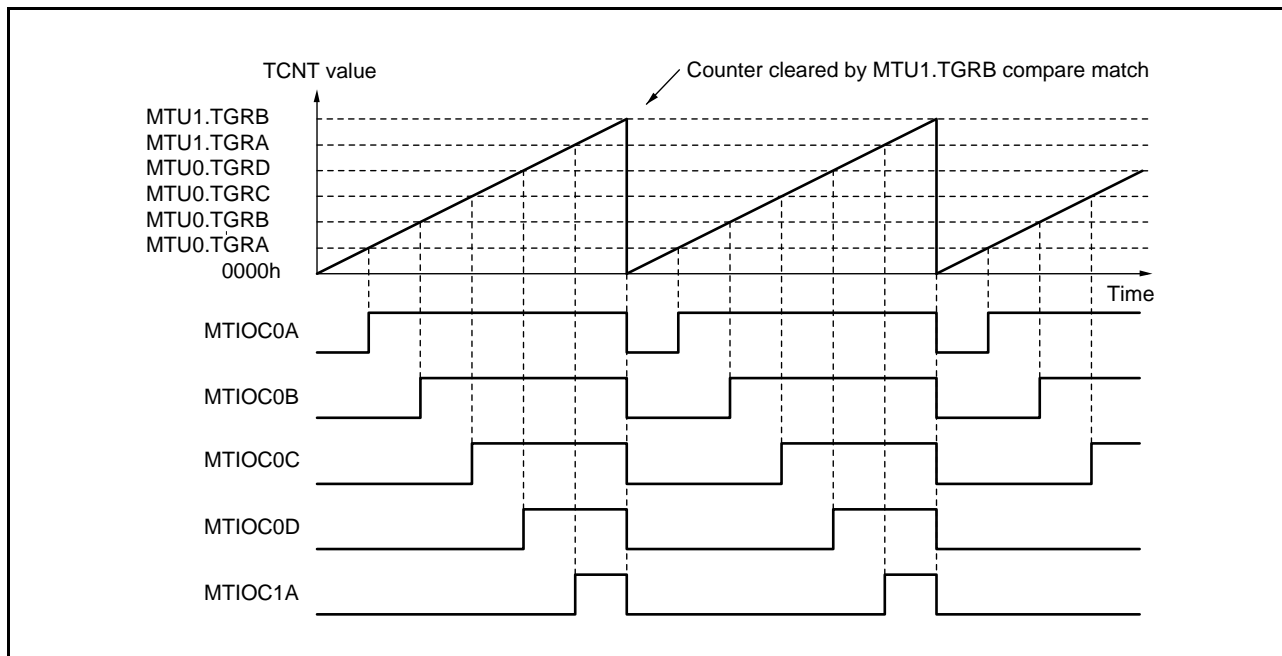


Figure 21.27 Example of PWM Mode Operation

Figure 21.28 shows examples of PWM waveform output with 0% duty and 100% duty in PWM mode.

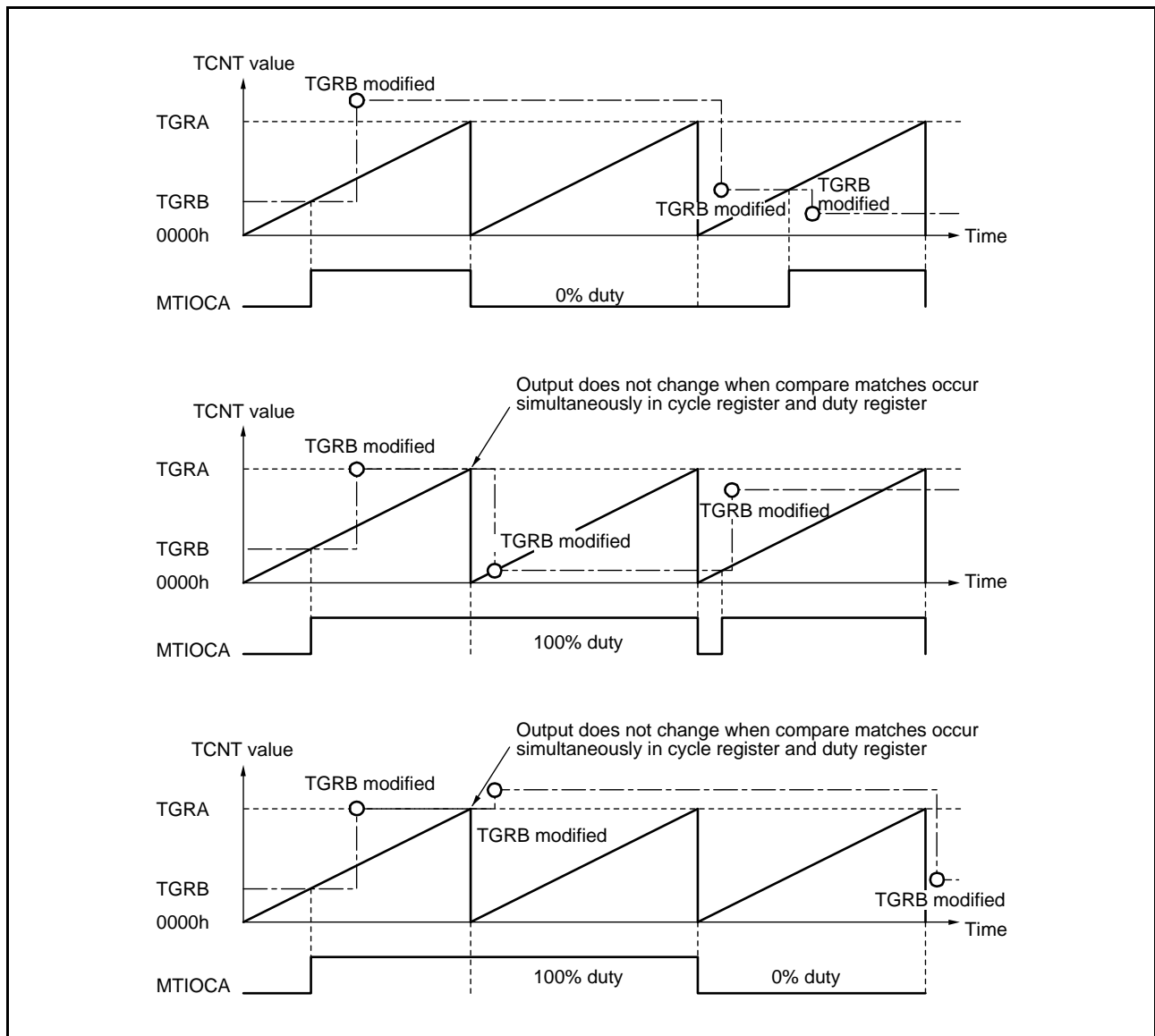


Figure 21.28 Examples of PWM Mode Operation

21.3.6 Phase Counting Mode

In phase counting mode, the phase difference between two external input clocks is detected and TCNT is incremented or decremented accordingly. This mode can be set for MTU1 and MTU2.

When phase counting mode is specified, an external clock is selected as the counter input clock and TCNT operates as an up/down-counter regardless of the setting of bits TPSC[2:0] and bits CKEG[1:0] in TCR. However, the functions of bits CCLR[1:0] in TCR and of TIOR, TIER, and TGR are valid, and input capture/compare match and interrupt functions can be used.

This can be used for two-phase encoder pulse input.

If an overflow occurs while TCNT is counting up, a TCIV interrupt is generated while the TCIEV bit in the corresponding TIER is 1. If an underflow occurs while TCNT is counting down, a TCIU interrupt is generated while the TCIEU bit in the corresponding TIER is 1.

The TCFD bit in TSR is the count direction flag. Read the TCFD flag to check whether TCNT is counting up or down.

Table 21.47 lists the correspondence between external clock pins and channels.

Table 21.47 Clock Input Pins in Phase Counting Mode

Channel	External Clock Input Pins	
	A-Phase	B-Phase
MTU1	MTCLKA	MTCLKB
MTU2	MTCLKC	MTCLKD

(1) Example of Phase Counting Mode Setting Procedure

Figure 21.29 shows an example of the phase counting mode setting procedure.

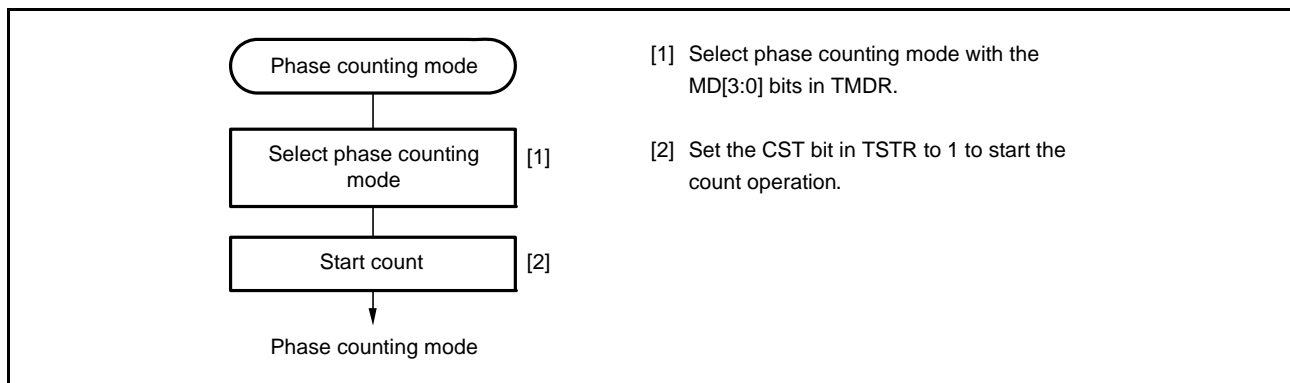


Figure 21.29 Example of Phase Counting Mode Setting Procedure

(2) Examples of Phase Counting Mode Operation

In phase counting mode, TCNT is incremented or decremented according to the phase difference between two external clocks. There are four modes according to the count conditions.

(a) Phase Counting Mode 1

Figure 21.30 shows an example of operation in phase counting mode 1, and Table 21.48 summarizes the TCNT up/down-count conditions.

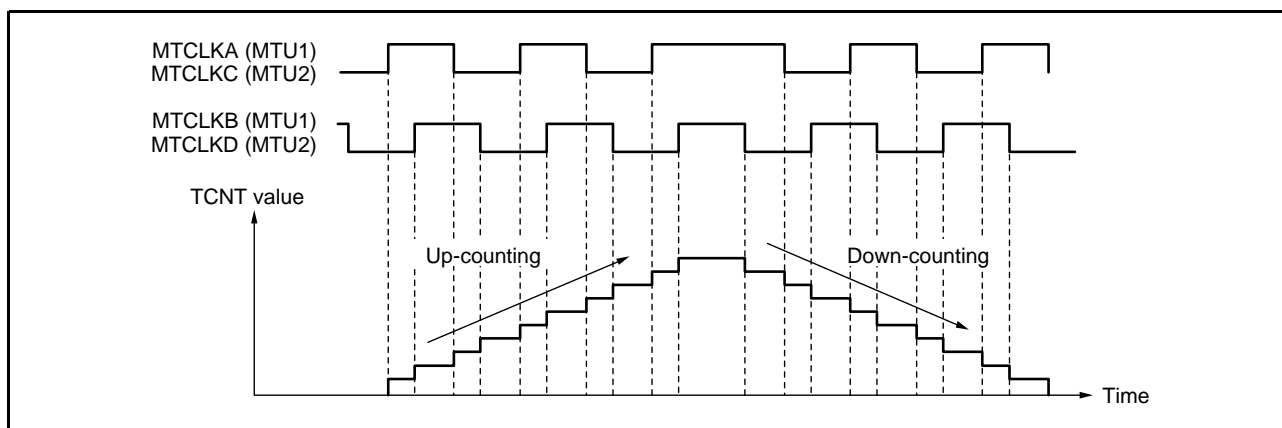


Figure 21.30 Example of Operation in Phase Counting Mode 1

Table 21.48 Up/Down-Count Conditions in Phase Counting Mode 1

MTCLKA (MTU1) MTCLKC (MTU2)	MTCLKB (MTU1) MTCLKD (MTU2)	Operation
High		Up-counting
Low		
	Low	
	High	
High		Down-counting
Low		
	High	
	Low	

: Rising edge
 : Falling edge

(b) Phase Counting Mode 2

Figure 21.31 shows an example of operation in phase counting mode 2, and Table 21.49 summarizes the TCNT up/down-count conditions.

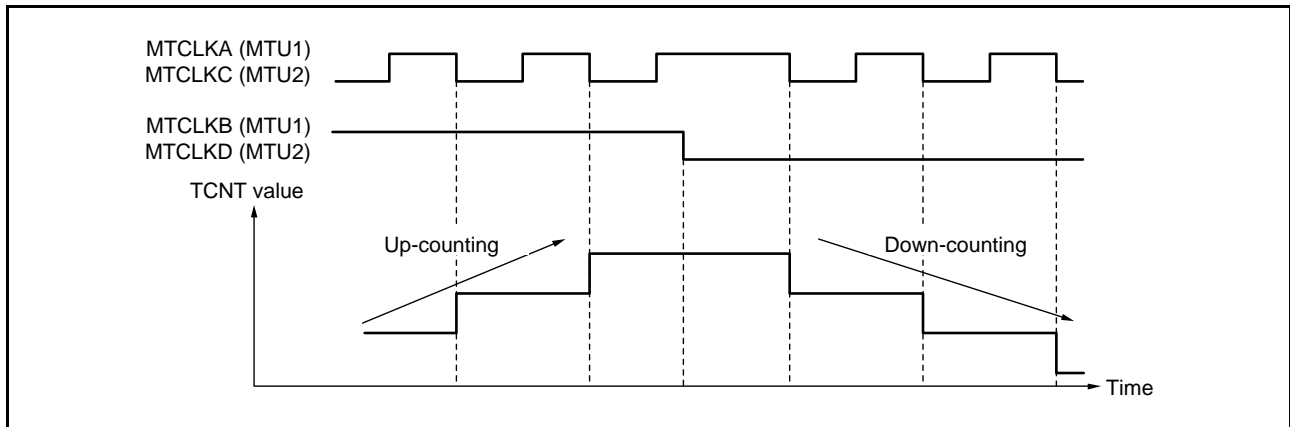


Figure 21.31 Example of Operation in Phase Counting Mode 2

Table 21.49 Up/Down-Count Conditions in Phase Counting Mode 2

MTCLKA (MTU1) MTCLKC (MTU2)	MTCLKB (MTU1) MTCLKD (MTU2)	Operation
High		None (Don't care)
Low		None (Don't care)
	Low	None (Don't care)
	High	Up-counting
High		None (Don't care)
Low		None (Don't care)
	High	None (Don't care)
	Low	Down-counting

: Rising edge
 : Falling edge

(c) Phase Counting Mode 3

Figure 21.32 shows an example of operation in phase counting mode 3, and Table 21.50 summarizes the TCNT up/down-count conditions.

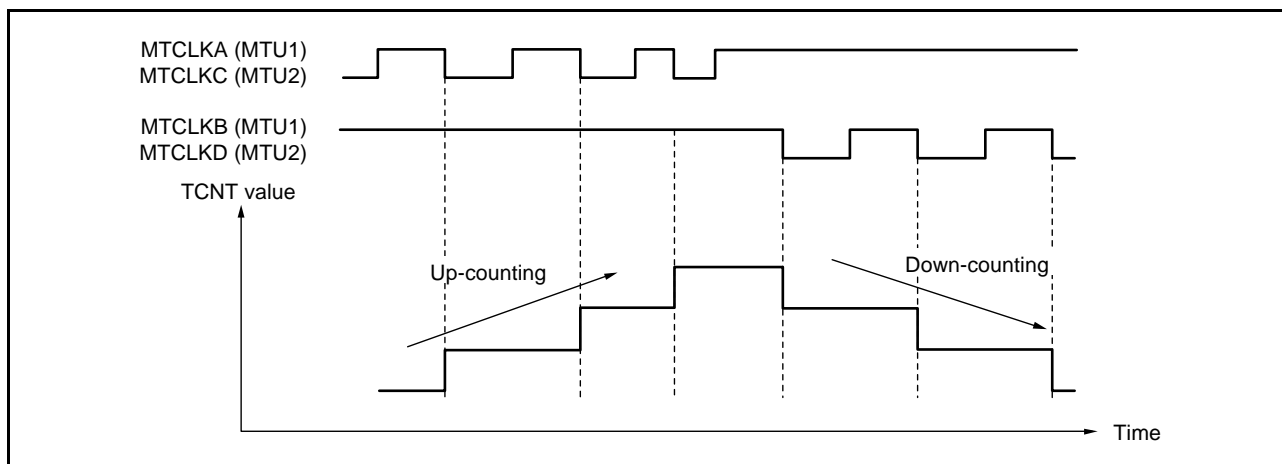


Figure 21.32 Example of Operation in Phase Counting Mode 3

Table 21.50 Up/Down-Count Conditions in Phase Counting Mode 3

MTCLKA (MTU1) MTCLKC (MTU2)	MTCLKB (MTU1) MTCLKD (MTU2)	Operation
High	↑	None (Don't care)
Low	↓	None (Don't care)
↑	Low	None (Don't care)
↓	High	Up-counting
High	↓	Down-counting
Low	↑	None (Don't care)
↑	High	None (Don't care)
↓	Low	None (Don't care)

↑ : Rising edge
 ↓ : Falling edge

(d) Phase Counting Mode 4

Figure 21.33 shows an example of operation in phase counting mode 4, and Table 21.51 summarizes the TCNT up/down-count conditions.

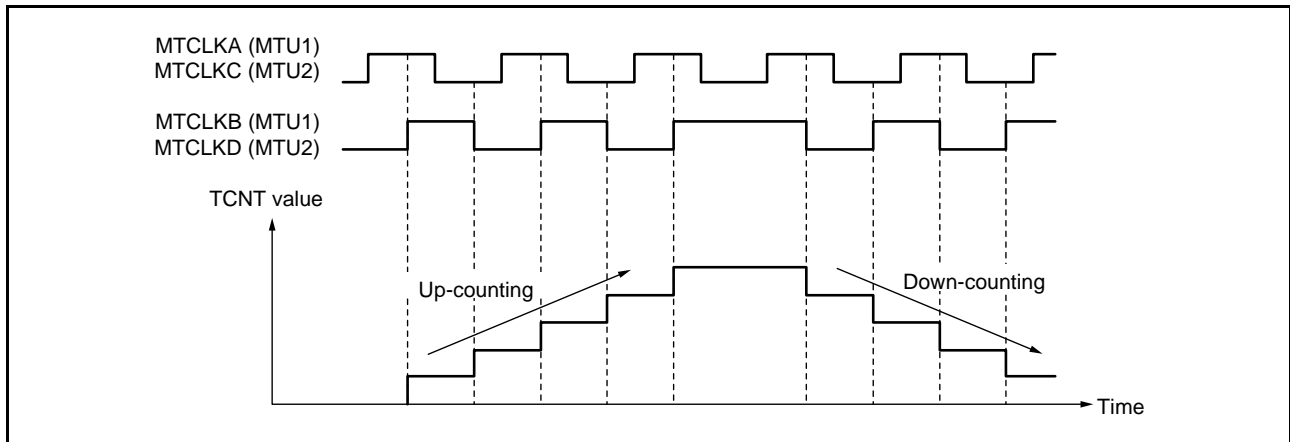


Figure 21.33 Example of Operation in Phase Counting Mode 4

Table 21.51 Up/Down-Count Conditions in Phase Counting Mode 4

MTCLKA (MTU1) MTCLKC (MTU2)	MTCLKB (MTU1) MTCLKD (MTU2)	Operation
High		Up-counting
Low		
	Low	None (Don't care)
	High	
High		Down-counting
Low		
	High	None (Don't care)
	Low	

: Rising edge
 : Falling edge

(3) Phase Counting Mode Application Example

Figure 21.34 shows an example in which MTU1 is in phase counting mode, and MTU1 is coupled with MTU0 to input 2-phase encoder pulses of a servo motor in order to detect position or speed.

MTU1 is set to phase counting mode 1, and the encoder pulse A-phase and B-phase are input to MTCLKA and MTCLKB.

In MTU0, MTU0.TGRC compare match is specified as the TCNT clearing source and MTU0.TGRA and TGRC are used for the compare match function and are set with the speed control cycle and position control cycle. MTU0.TGRB is used for input capture, with MTU0.TGRB and TGRD operating in buffer mode. The MTU1 counter input clock is designated as the MTU0.TGRB input capture source, and the widths of 2-phase encoder 4-multiplication pulses are detected.

MTU1.TGRA and TGRB for MTU1 are designated for the input capture function and MTU0.TGRA and TGRC compare matches in MTU0 are selected as the input capture sources to store the up/down-counter values for the control cycles. This procedure enables the accurate detection of position and speed.

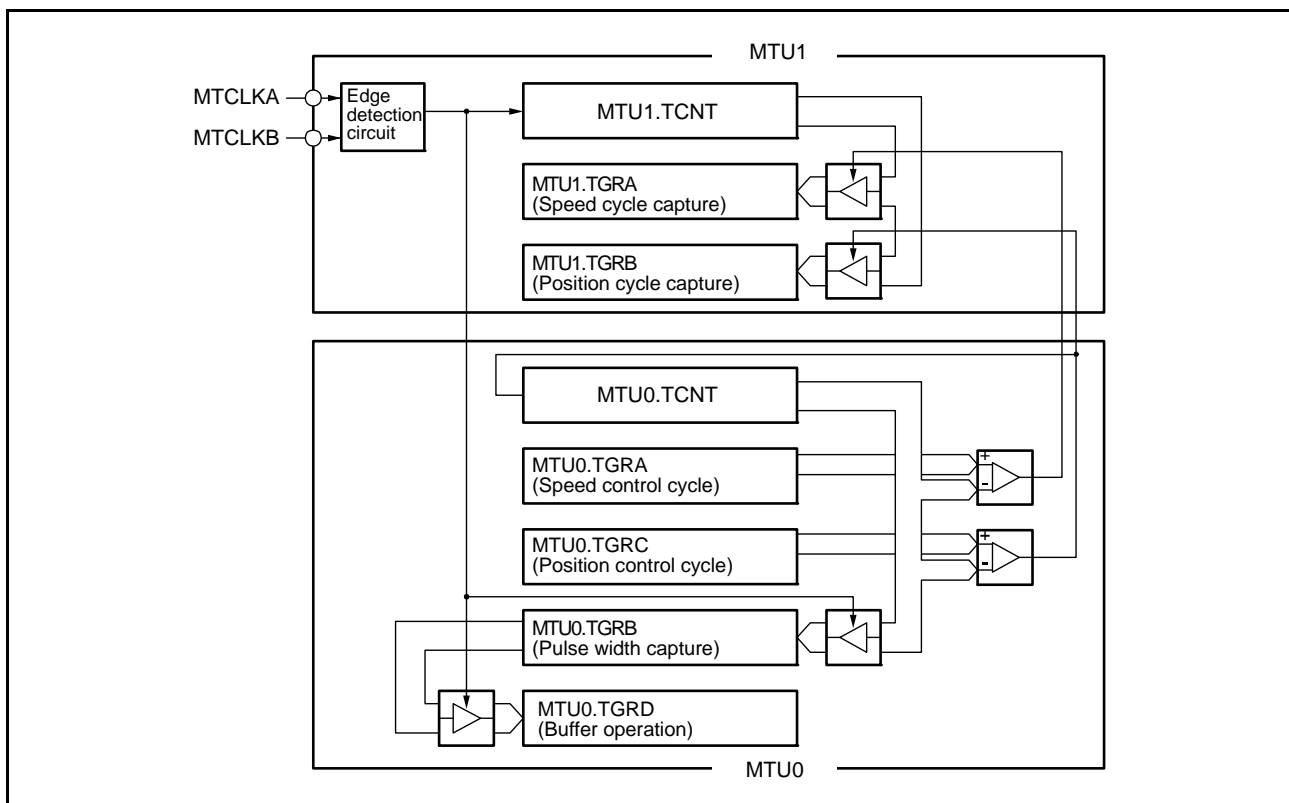


Figure 21.34 Phase Counting Mode Application Example

21.3.7 Reset-Synchronized PWM Mode

In the reset-synchronized PWM mode, three phases of positive and negative PWM waveforms that share a common wave transition point can be output by combining MTU3 and MTU4.

When set for reset-synchronized PWM mode, the MTIOC3B, MTIOC3D, MTIOC4A, MTIOC4C, MTIOC4B, and MTIOC4D pins function as PWM output pins and timer counter 3 (MTU3.TCNT) functions as an up-counter.

Table 21.52 lists the PWM output pins. Table 21.53 lists the settings of the registers.

Table 21.52 Output Pins for Reset-Synchronized PWM Mode

Channel	Output Pin	Description
MTU3	MTIOC3B	PWM output pin 1
	MTIOC3D	PWM output pin 1' (negative-phase waveform of PWM output 1)
MTU4	MTIOC4A	PWM output pin 2
	MTIOC4C	PWM output pin 2' (negative-phase waveform of PWM output 2)
	MTIOC4B	PWM output pin 3
	MTIOC4D	PWM output pin 3' (negative-phase waveform of PWM output 3)

Table 21.53 Register Settings for Reset-Synchronized PWM Mode

Register	Setting
MTU3.TCNT	Initial setting (0000h)
MTU4.TCNT	Initial setting (0000h)
MTU3.TGRA	Set the count cycle for MTU3.TCNT
MTU3.TGRB	Set the transition point of the PWM waveform to be output from the MTIOC3B and MTIOC3D pins
MTU4.TGRA	Set the transition point of the PWM waveform to be output from the MTIOC4A, and MTIOC4C pins
MTU4.TGRB	Set the transition point of the PWM waveform to be output from the MTIOC4B and MTIOC4D pins

(1) Example of Procedure for Setting Reset-Synchronized PWM Mode

Figure 21.35 shows an example of procedure for setting the reset-synchronized PWM mode.

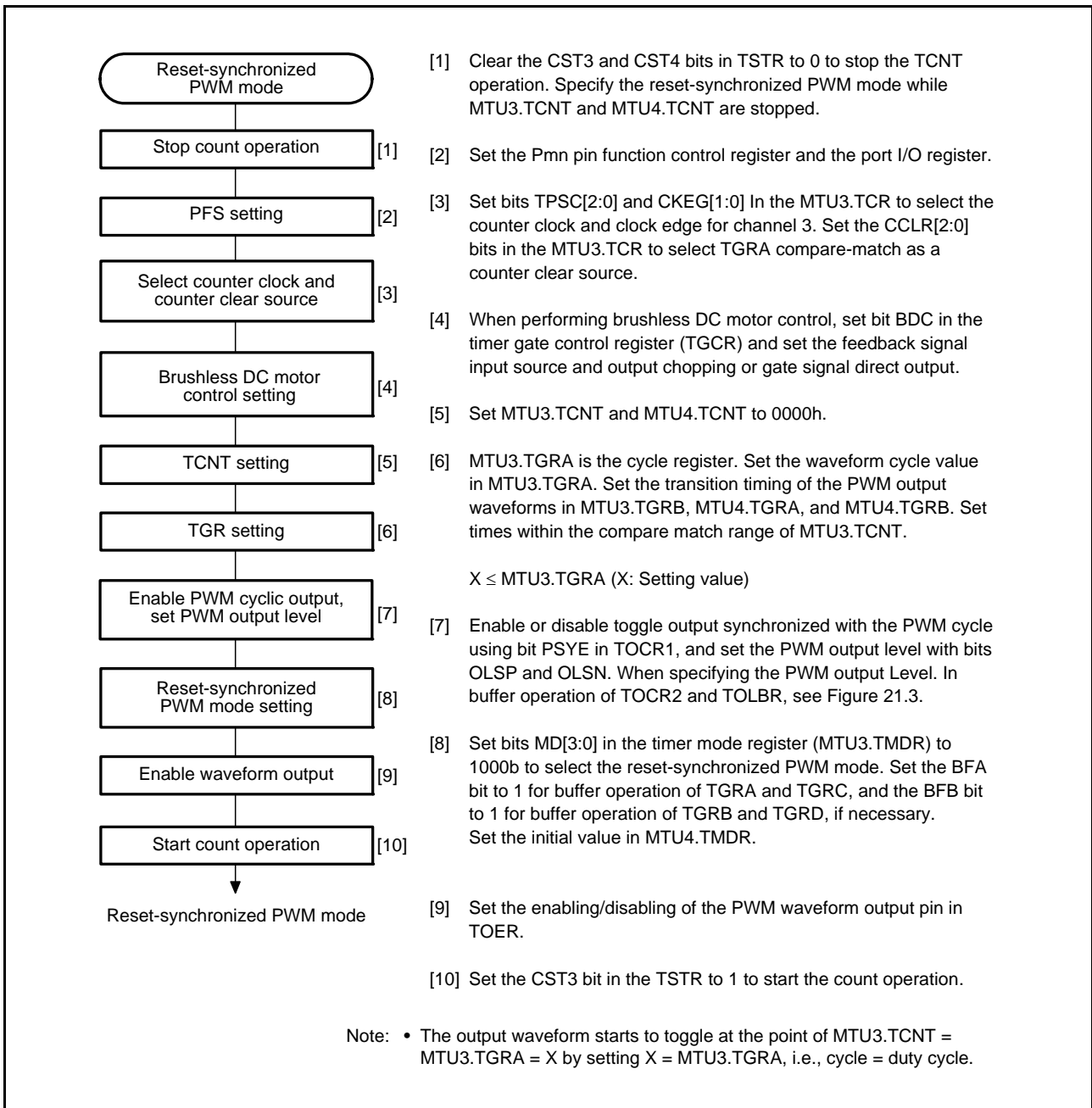


Figure 21.35 Procedure for Selecting Reset-Synchronized PWM Mode

(2) Example of Reset-Synchronized PWM Mode Operation

Figure 21.36 shows an example of operation in the reset-synchronized PWM mode.

MTU3.TCNT and MTU4.TCNT operate as up-counters. The counters are cleared when a compare match occurs between MTU3.TCNT and MTU3.TGRA, and then begin incrementing from 0000h. The output from the PWM pins toggles every time a compare match occurs in MTU3.TGRB, MTU4.TGRA, and MTU4.TGRB and the counters are cleared.

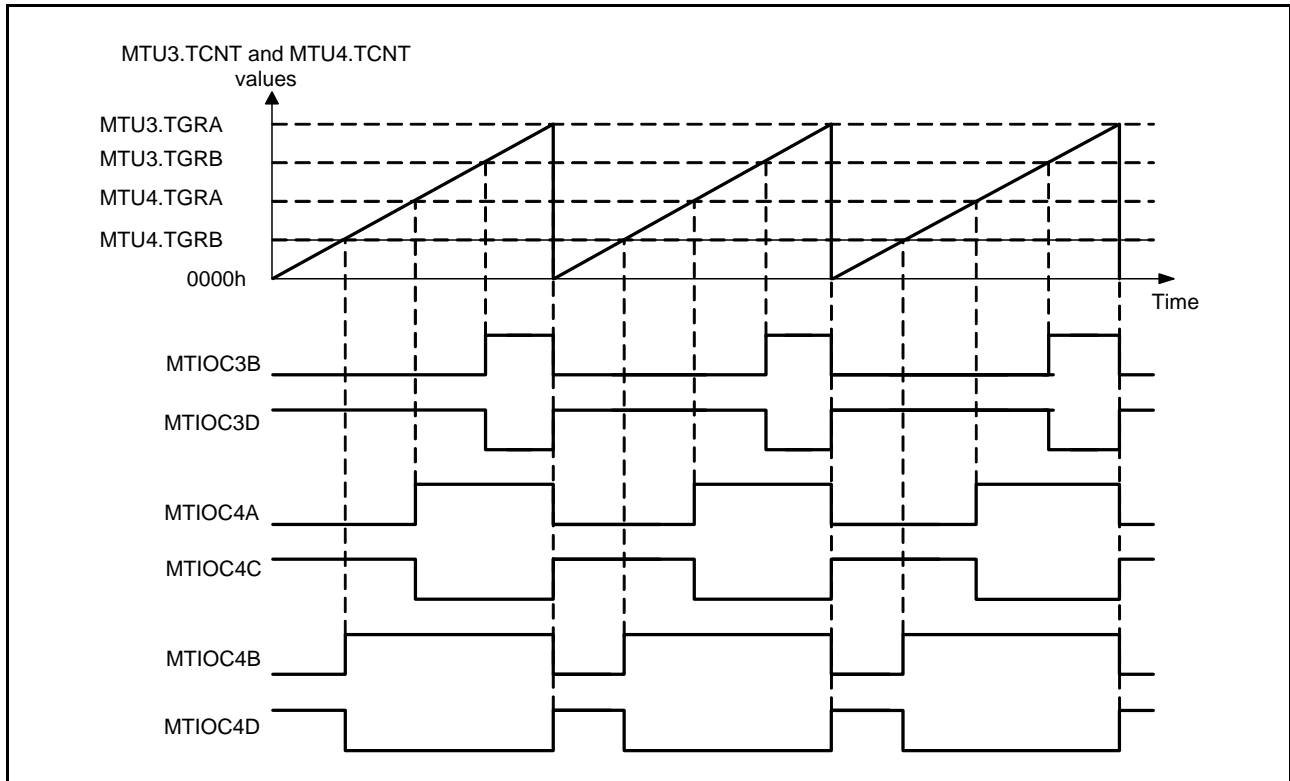


Figure 21.36 Example of Reset-Synchronized PWM Mode Operation (When TOCR1's OLSN = 1 and OLSP = 1)

21.3.8 Complementary PWM Mode

In complementary PWM mode, three phases of non-overlapping positive and negative PWM waveforms can be output by combining MTU3 and MTU4. PWM waveforms without non-overlapping interval are also available.

In complementary PWM mode, MTIOC3B, MTIOC3D, MTIOC4A, MTIOC4B, MTIOC4C, and MTIOC4D pins function as PWM output pins, and the MTIOC3A pin can be set for toggle output synchronized with the PWM cycle. MTU3.TCNT and MTU4.TCNT function as up/down-counters.

Table 21.54 lists the PWM output pins used. Table 21.55 lists the settings of the registers used.

A function to directly cut off the PWM output by using an external signal is supported as a port function.

Table 21.54 Output Pins for Complementary PWM Mode

Channel	Output Pin	Description
MTU3	MTIOC3A	Toggle output synchronized with PWM cycle (or I/O port)
	MTIOC3B	PWM output pin 1
	MTIOC3C	I/O port*1
	MTIOC3D	PWM output pin 1' (non-overlapping negative-phase waveform of PWM output 1; PWM output without non-overlapping interval is also available)
MTU4	MTIOC4A	PWM output pin 2
	MTIOC4C	PWM output pin 2' (non-overlapping negative-phase waveform of PWM output 2; PWM output without non-overlapping interval is also available)
	MTIOC4B	PWM output pin 3
	MTIOC4D	PWM output pin 3' (non-overlapping negative-phase waveform of PWM output 3; PWM output without non-overlapping interval is also available)

Note 1. Avoid setting the MTIOC3C pin as a timer I/O pin in complementary PWM mode.

Table 21.55 Register Settings for Complementary PWM Mode

Channel	Counter/ Register	Description	Read/Write from CPU
MTU3	MTU3.TCNT	Starts up-counting from the value set in the dead time register	Maskable by TRWER setting*1
	MTU3.TGRA	Set MTU3.TCNT upper limit value (1/2 carrier cycle + dead time)	Maskable by TRWER setting*1
	MTU3.TGRB	PWM output 1 compare register	Maskable by TRWER setting*1
	MTU3.TGRC	MTU3.TGRA buffer register	Always readable/writable
	MTU3.TGRD	PWM output 1/MTU3.TGRB buffer register	Always readable/writable
MTU4	MTU4.TCNT	Starts up-counting after being initialized to 0000h	Maskable by TRWER setting*1
	MTU4.TGRA	PWM output 2 compare register	Maskable by TRWER setting*1
	MTU4.TGRB	PWM output 3 compare register	Maskable by TRWER setting*1
	MTU4.TGRC	PWM output 2/MTU4.TGRA buffer register	Always readable/writable
	MTU4.TGRD	PWM output 3/MTU4.TGRB buffer register	Always readable/writable
Timer dead time data register (TDDR)	Set MTU4.TCNT and MTU3.TCNT offset value (dead time value)	Maskable by TRWER setting*1	
Timer cycle data register (TCDR)	Set MTU4.TCNT upper limit value (1/2 carrier cycle)	Maskable by TRWER setting*1	
Timer cycle buffer register (TCBR)	TCDR buffer register	Always readable/writable	
Subcounter (TCNTS)	Subcounter for dead time generation	Read-only	
Temporary register 1 (TEMP1)	PWM output 1/MTU3.TGRB temporary register	Not readable/writable	
Temporary register 2 (TEMP2)	PWM output 2/MTU4.TGRA temporary register	Not readable/writable	
Temporary register 3 (TEMP3)	PWM output 3/MTU4.TGRB temporary register	Not readable/writable	

Note 1. Access can be enabled or disabled according to the setting in TRWER (timer read/write enable register).

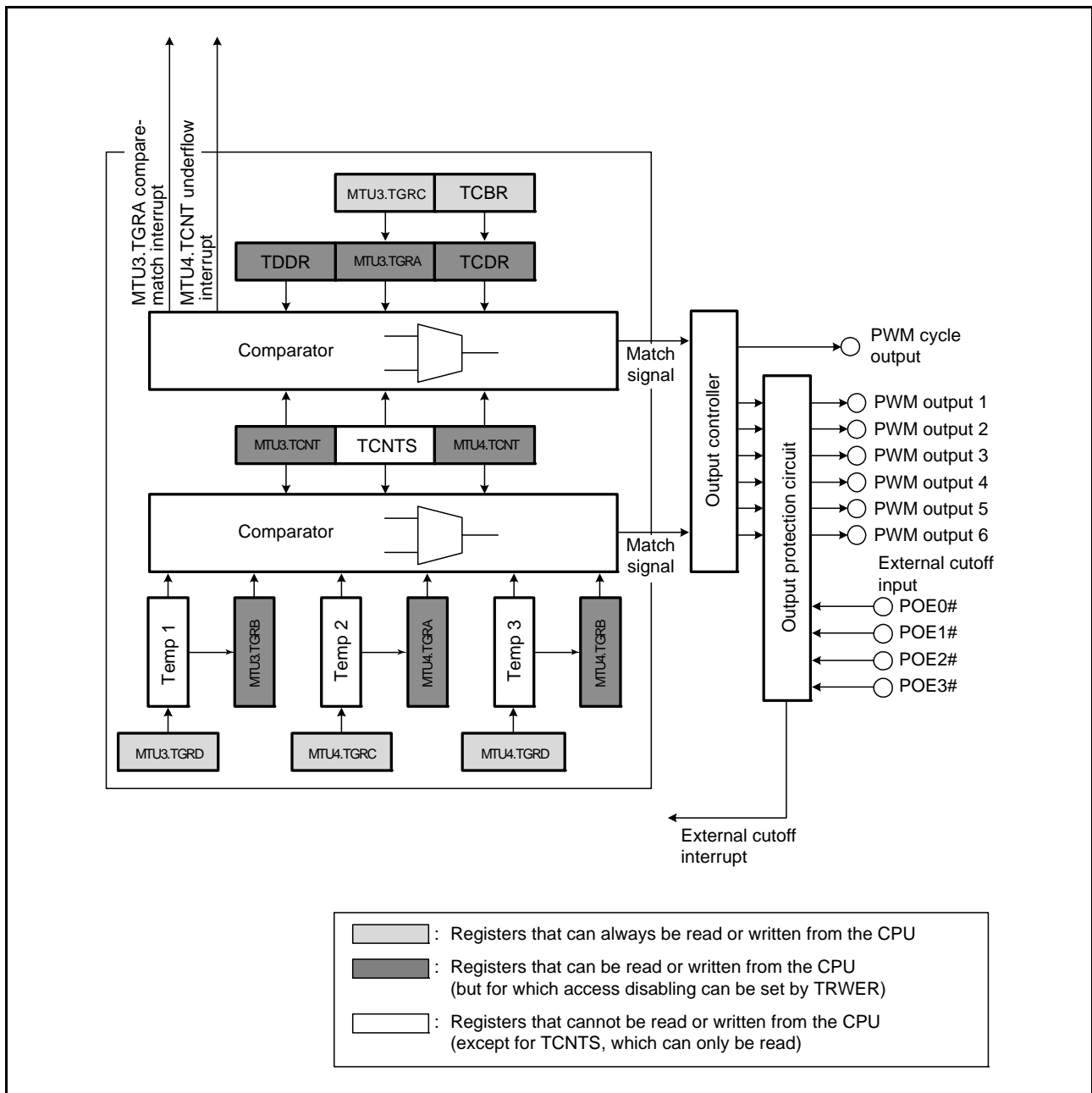


Figure 21.37 Block Diagram of MTU3 and MTU4 in Complementary PWM Mode

(1) Example of Complementary PWM Mode Setting Procedure

Figure 21.38 shows an example of the complementary PWM mode setting procedure.

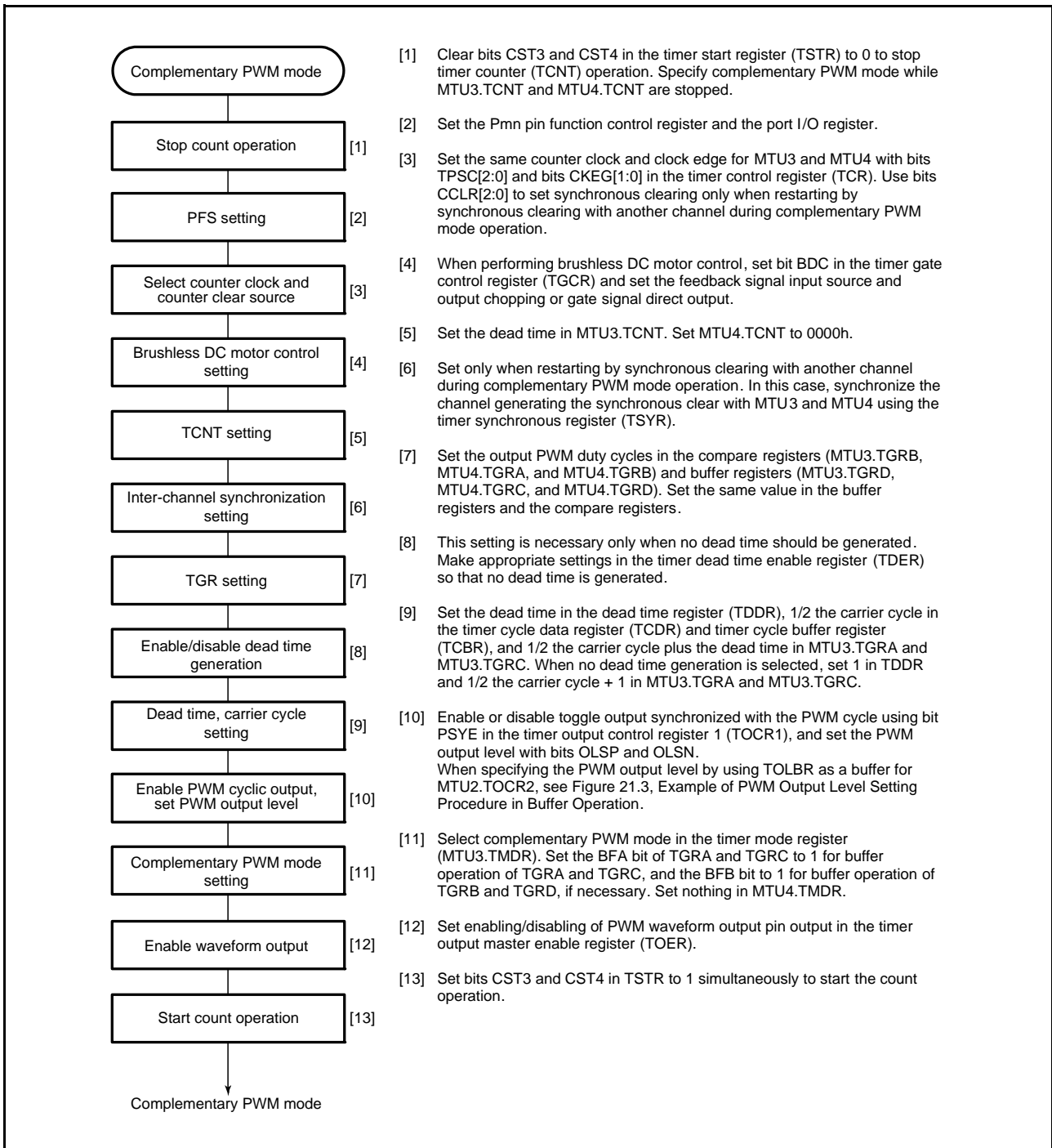


Figure 21.38 Example of Complementary PWM Mode Setting Procedure

(2) Outline of Complementary PWM Mode Operation

In complementary PWM mode, six phases of PWM waveforms can be output. Figure 21.39 illustrates counter operation in complementary PWM mode, and Figure 21.40 shows an example of operation in complementary PWM mode.

(a) Counter Operation

In complementary PWM mode, three counters—MTU3.TCNT, MTU4.TCNT, and TCNTS— perform up-/down-count operations.

MTU3.TCNT is automatically initialized to the value set in TDDR when complementary PWM mode is selected and the CST bit in TSTR is 0.

When the CST bit is set to 1, MTU3.TCNT counts up to the value set in MTU3.TGRA, then switches to down-counting when it matches MTU3.TGRA. When the MTU3.TCNT value matches TDDR, the counter switches to up-counting, and the operation is repeated in this way.

MTU4.TCNT should be initialized to 0000h.

When the CST bit is set to 1, MTU4.TCNT counts up in synchronization with MTU3.TCNT, and switches to down-counting when it matches TCDR. On reaching 0000h, MTU4.TCNT switches to up-counting, and the operation is repeated in this way.

TCNTS is a read-only counter. It does not need to be initialized.

When MTU3.TCNT matches TCDR during up-/down-counting of TCNT in MTU3 and MTU4, TCNTS starts down-counting, and when TCNTS matches TCDR, the operation switches to up-counting. When TCNTS matches MTU3.TGRA, it is cleared to 0000h.

When MTU4.TCNT matches TDDR during down-counting of MTU3.TCNT and MTU4.TCNT, TCNTS starts up-counting, and when TCNTS matches TDDR, the operation switches to down-counting. When TCNTS reaches 0000h, it is set with the value in MTU3.TGRA.

TCNTS is compared with the compare register and temporary register, in which the PWM duty is specified, only during the count operation.

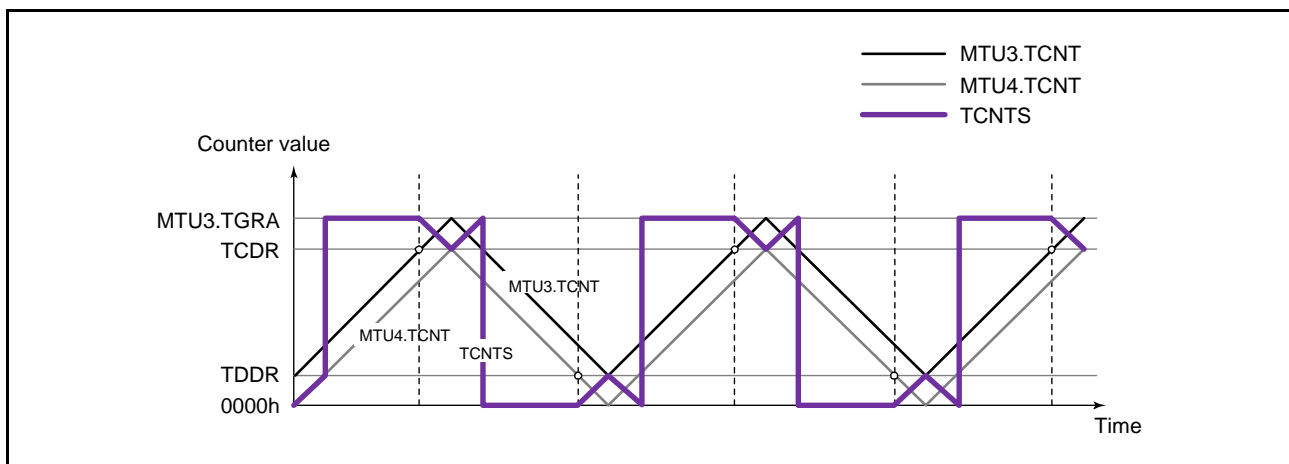


Figure 21.39 Counter Operation in Complementary PWM Mode

(b) Register Operation

In complementary PWM mode, nine registers (compare registers, buffer registers, and temporary registers) are used. Figure 21.40 shows an example of operation in complementary PWM mode.

MTU3.TGRB, MTU4.TGRA, and MTU4.TGRB are constantly compared with the counters to generate PWM waveforms. When these registers match the counter, the value set in bits OLSN and OLSP in the timer output control register 1 (TOCR1) is output.

MTU3.TGRD, MTU4.TGRC, and MTU4.TGRD are buffer registers for these compare registers. Between a buffer register and a compare register, there is a temporary register. The temporary registers cannot be accessed by the CPU. Data in a compare register can be changed by writing new data to the corresponding buffer register. The buffer registers can be read or written at any time.

The data written to a buffer register is constantly transferred to the temporary register in the Ta interval. Data is not transferred to the temporary register in the Tb interval. Data written to a buffer register in this interval is transferred to the temporary register at the end of the Tb interval.

The value transferred to a temporary register is transferred to the compare register when TCNTS for which the Tb interval ends matches MTU3.TGRA while TCNTS is counting up, or 0000h while counting down. The timing for transfer from the temporary register to the compare register can be selected with bits MD[3:0] in the timer mode register (TMDR). Figure 21.40 shows an example in which the trough is selected for the transfer timing.

In the Tb (Tb2 in Figure 21.40) interval in which data is not transferred to the temporary register, the temporary register has the same function as the compare register and is compared with the counter. In this interval, therefore, there are two compare match registers for one output phase; the compare register contains the pre-change data and the temporary register contains new data. In this interval, three counters (MTU3.TCNT, MTU4.TCNT and TCNTS) and two registers (compare register and temporary register) are compared, and PWM output is controlled accordingly.

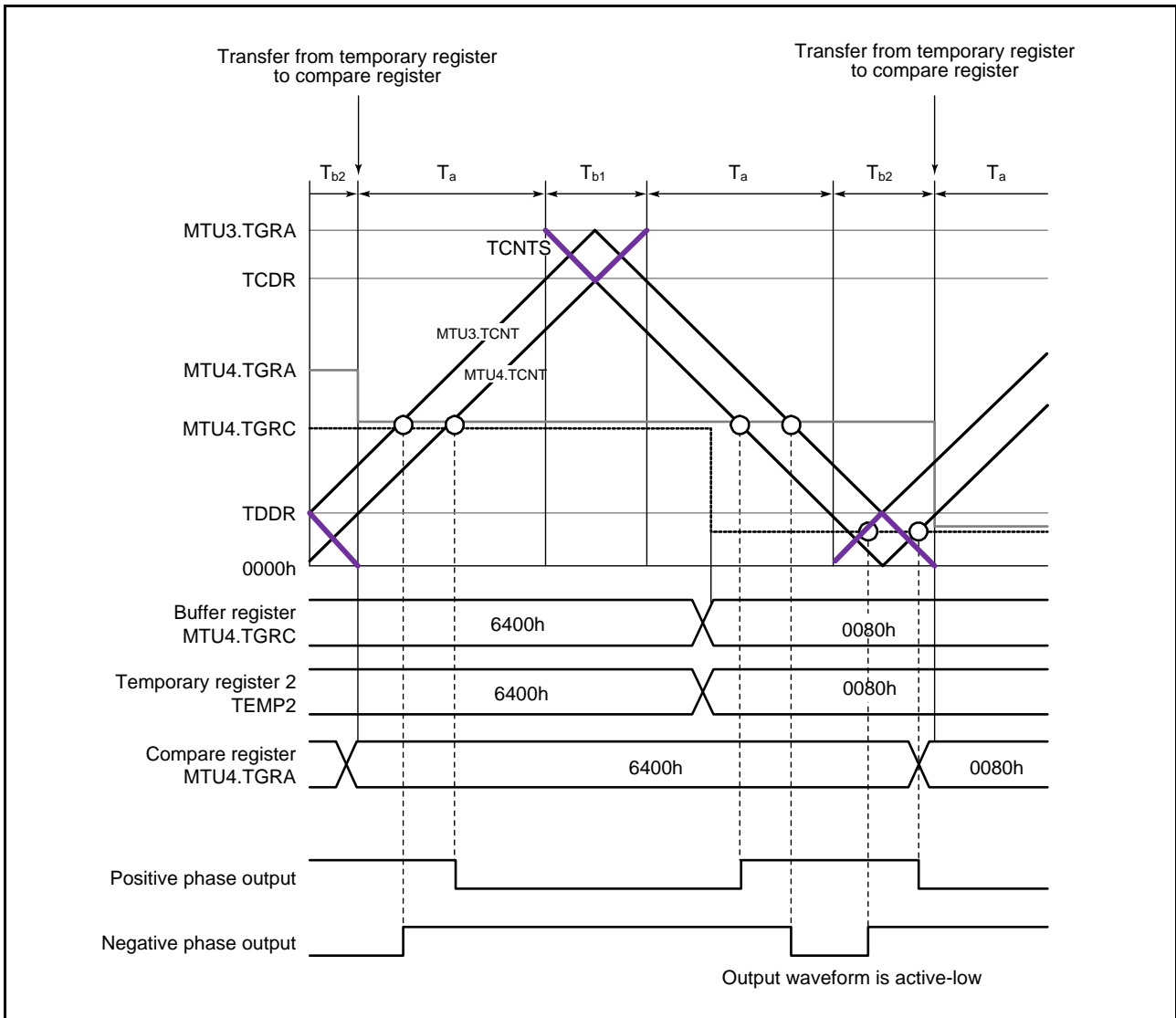


Figure 21.40 Example of Operation in Complementary PWM Mode

(c) Initial Setting

In complementary PWM mode, there are six registers that require initial setting. In addition, there is a register that specifies whether to generate dead time (it should be used only when dead time generation should be disabled). Before setting complementary PWM mode with bits MD[3:0] in the timer mode register (TMDR), initial values should be set in the following registers.

MTU3.TGRC operates as the buffer register for MTU3.TGRA, and should be set with 1/2 the PWM carrier cycle + dead time T_d . The timer cycle buffer register (TCBR) operates as the buffer register for the timer cycle data register (TCDR), and should be set with 1/2 the PWM carrier cycle. Set dead time T_d in the timer dead time data register (TDDR).

When dead time is not needed, the TDER bit in the timer dead time enable register (TDER) should be cleared to 0, MTU3.TGRC and MTU3.TGRA should be set to 1/2 the PWM carrier cycle + 1, and TDDR should be set to 1.

Set the respective initial PWM duty values in three buffer registers MTU3.TGRD, MTU4.TGRC, and MTU4.TGRD. The values set in the five buffer registers excluding TDDR are transferred to the corresponding compare registers as soon as complementary PWM mode is set.

Set MTU4.TCNT to 0000h before setting complementary PWM mode.

Table 21.56 Registers and Counters Requiring Initial Setting

Register and Counter	Setting
MTU3.TGRC	1/2 PWM carrier cycle + dead time Td (1/2 PWM carrier cycle + 1 when dead time generation is disabled by TDER)
TDDR	Dead time Td (1 when dead time generation is disabled by TDER)
TCBR	1/2 PWM carrier cycle
MTU3.TGRD, MTU4.TGRC, MTU4.TGRD	Initial PWM duty value for each phase
MTU4.TCNT	0000h

Note: • The value set in MTU3.TGRC should be the sum of 1/2 the PWM carrier cycle set in TCBR and dead time Td set in TDDR. When dead time generation is disabled by TDER, TGRC should be set to 1/2 the PWM carrier cycle + 1.

(d) PWM Output Level Setting

In complementary PWM mode, the PWM pulse output level is set with bits OLSN and OLSP in timer output control register 1 (TOCR1) or bits OLS1P to OLS3P and OLS1N to OLS3N in timer output control register 2 (TOCR2). The output level can be set for each of the three positive phases and three negative phases of 6-phase output. Complementary PWM mode should be cleared before setting or changing output levels.

(e) Dead Time Setting

In complementary PWM mode, PWM pulses are output with a non-overlapping relationship between the positive and negative phases. This non-overlap time is called the dead time. The non-overlap time is set in the timer dead time data register (TDDR). The value set in TDDR is used as the MTU3.TCNT counter start value and creates a non-overlapping interval between MTU3.TCNT and MTU4.TCNT. Complementary PWM mode should be cleared before changing the contents of TDDR.

(f) Dead Time Suppressing

Dead time generation is suppressed by clearing the TDER bit in the timer dead time enable register (TDER) to 0. TDER bit can be cleared to 0 only when 0 is written to it after reading TDER = 1. MTU3.TGRA and MTU3.TGRC should be set to 1/2 PWM carrier cycle + 1 and the timer dead time data register (TDDR) should be set to 1. By the above settings, PWM waveforms without dead time can be obtained. Figure 21.41 shows an example of operation without dead time.

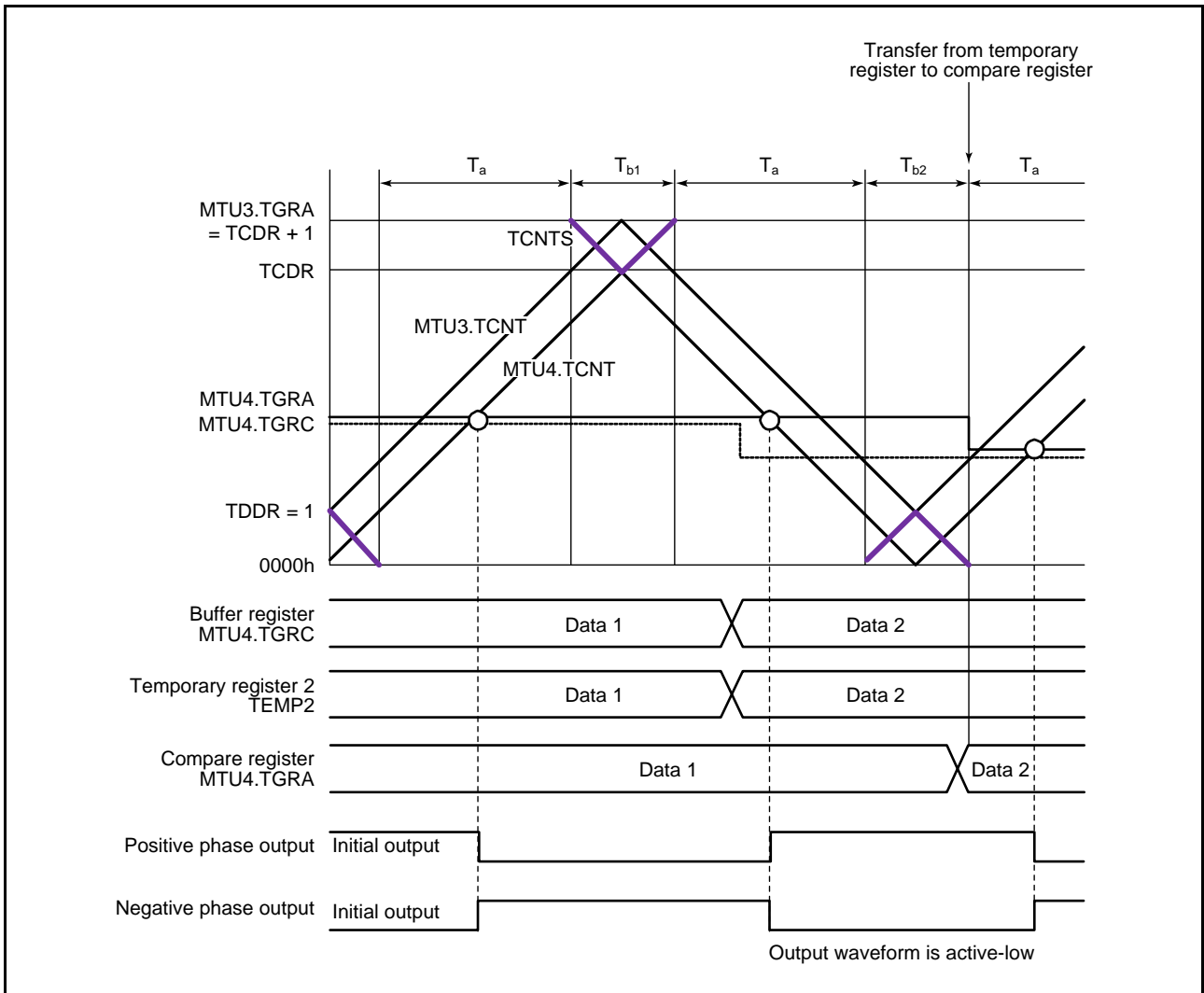


Figure 21.41 Example of Operation without Dead Time

(g) PWM Cycle Setting

In complementary PWM mode, the PWM pulse cycle is set in two registers—MTU3.TGRC, in which the MTU3.TCNT upper limit value is set, and TCDR, in which the MTU4.TCNT upper limit value is set. The settings should be made so as to achieve the following relationship between these two registers:

With dead time: $MTU3.TGRC \text{ setting} = TCDR \text{ setting} + TDDR \text{ setting}$

Without dead time: $MTU3.TGRC \text{ setting} = TCDR \text{ setting} + 1$

The settings should be made so as to achieve the following relationship between registers TCDR and TDDR.

$$TCDR \text{ setting} > TDDR \text{ setting} \times 2 + 2$$

The MTU3.TGRC and MTU3.TCDR settings are made by setting values in buffer registers MTU3.TGRC and MTU3.TCBR. The values set in MTU3.TGRC and MTU3.TCBR are transferred simultaneously to MTU3.TGRC and MTU3.TCDR with the transfer timing selected with the TMDR.MD[3:0] bits.

The new PWM cycle is reflected from the next cycle when data is updated at the crest, or from the current cycle when updated in the trough. Figure 21.42 illustrates the operation when the PWM cycle is updated at the crest.

See the following section (h), Register Data Updating, for the method of updating the data in each buffer register.

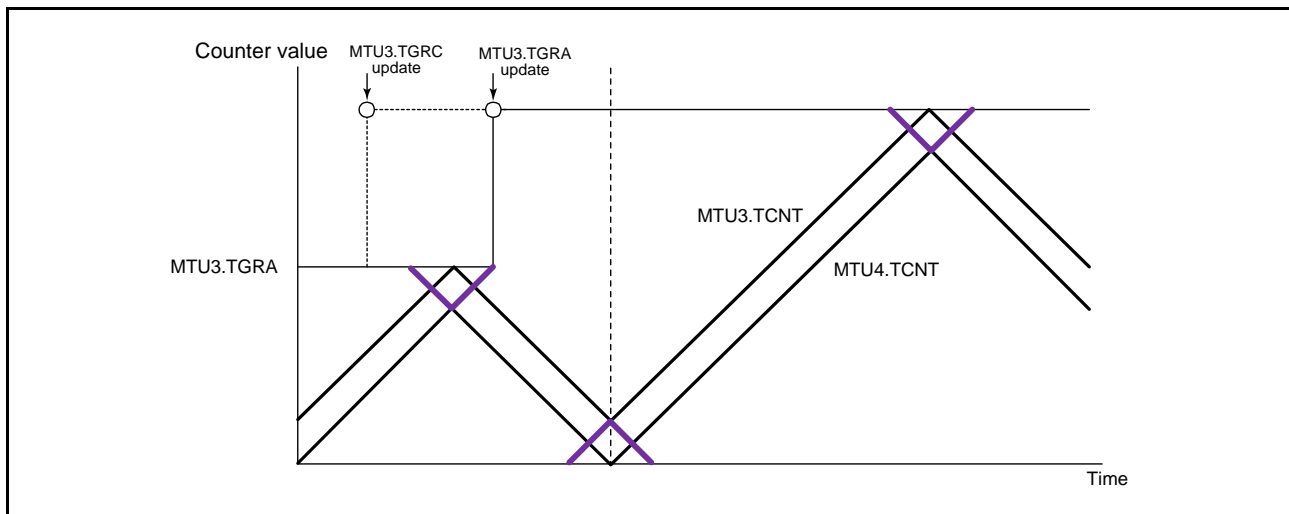


Figure 21.42 Example of PWM Cycle Updating

(h) Register Data Updating

In complementary PWM mode, the buffer register is used to update the data in a compare register. The update data can be written to the buffer register at any time. There are five registers (PWM duty and carrier cycle registers) that have buffer registers and can be updated during operation.

There is a temporary register between each of these registers and its buffer register. While subcounter TCNTS is not counting, if buffer register data is updated, the temporary register value also changes. Data is not transferred from buffer registers to temporary registers while TCNTS is counting; in this case, the value written to a buffer register is transferred after TCNTS halts.

The temporary register value is transferred to the compare register at the data update timing set with bits MD[3:0] in the timer mode register (TMDR). Figure 21.43 shows an example of data updating in complementary PWM mode. This example shows the mode in which data is updated at both the counter crest and trough.

When updating buffer register data, be sure to write to MTU4.TGRD at the end of the update. Data is transferred from buffer registers to the temporary registers simultaneously for all five registers after the write to MTU4.TGRD.

Even when not updating all five registers or when not updating the MTU4.TGRD data, be sure to write to MTU4.TGRD after writing data to the registers to be updated. In this case, the data written to MTU4.TGRD should be the same as the data prior to the write operation.

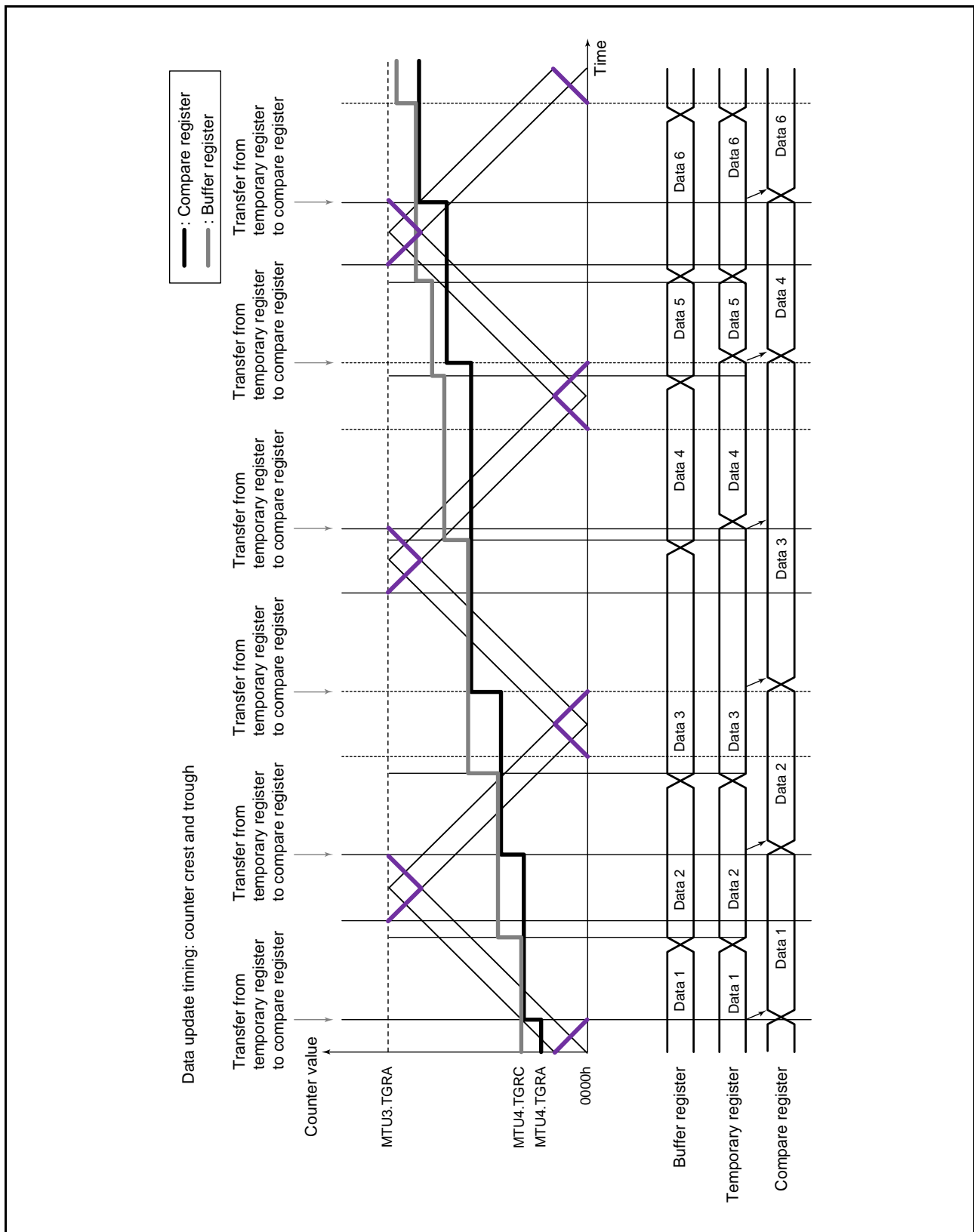


Figure 21.43 Example of Data Updating in Complementary PWM Mode

(i) Initial Output in Complementary PWM Mode

In complementary PWM mode, the initial output is determined by the setting of bits OLSN and OLSP in timer output control register 1 (TOCR1) or bits OLS1N to OLS3N and OLS1P to OLS3P in timer output control register 2 (TOCR2). This initial output is the non-active level of the PWM pulse and continues from when complementary PWM mode is set with the timer mode register (TMDR) until MTU4.TCNT exceeds the value set in the dead time register (TDDR). Figure 21.44 shows an example of the initial output in complementary PWM mode.

An example of the waveform when the initial PWM duty value is smaller than the TDDR value is shown in Figure 21.45.

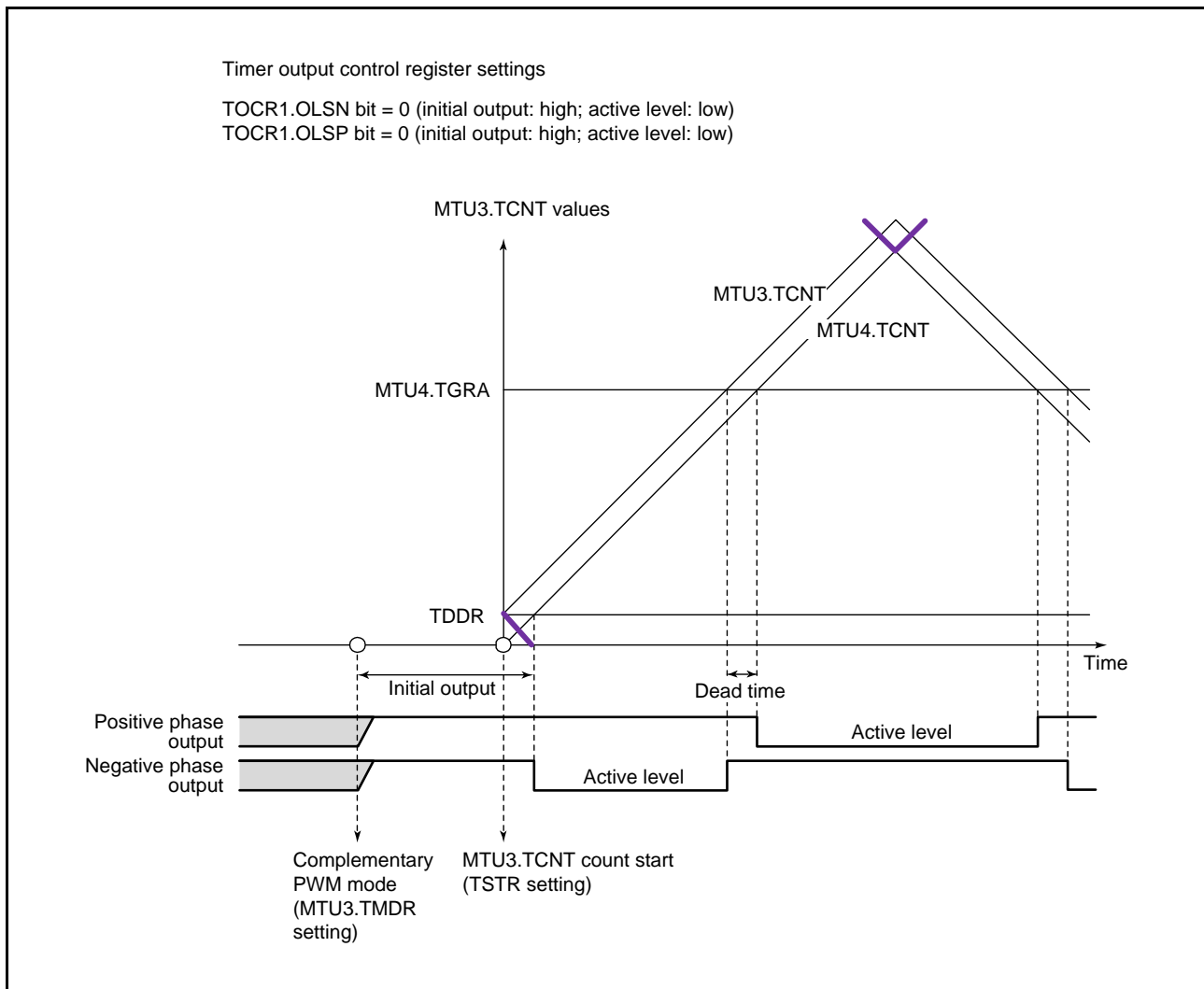


Figure 21.44 Example of Initial Output in Complementary PWM Mode (1)

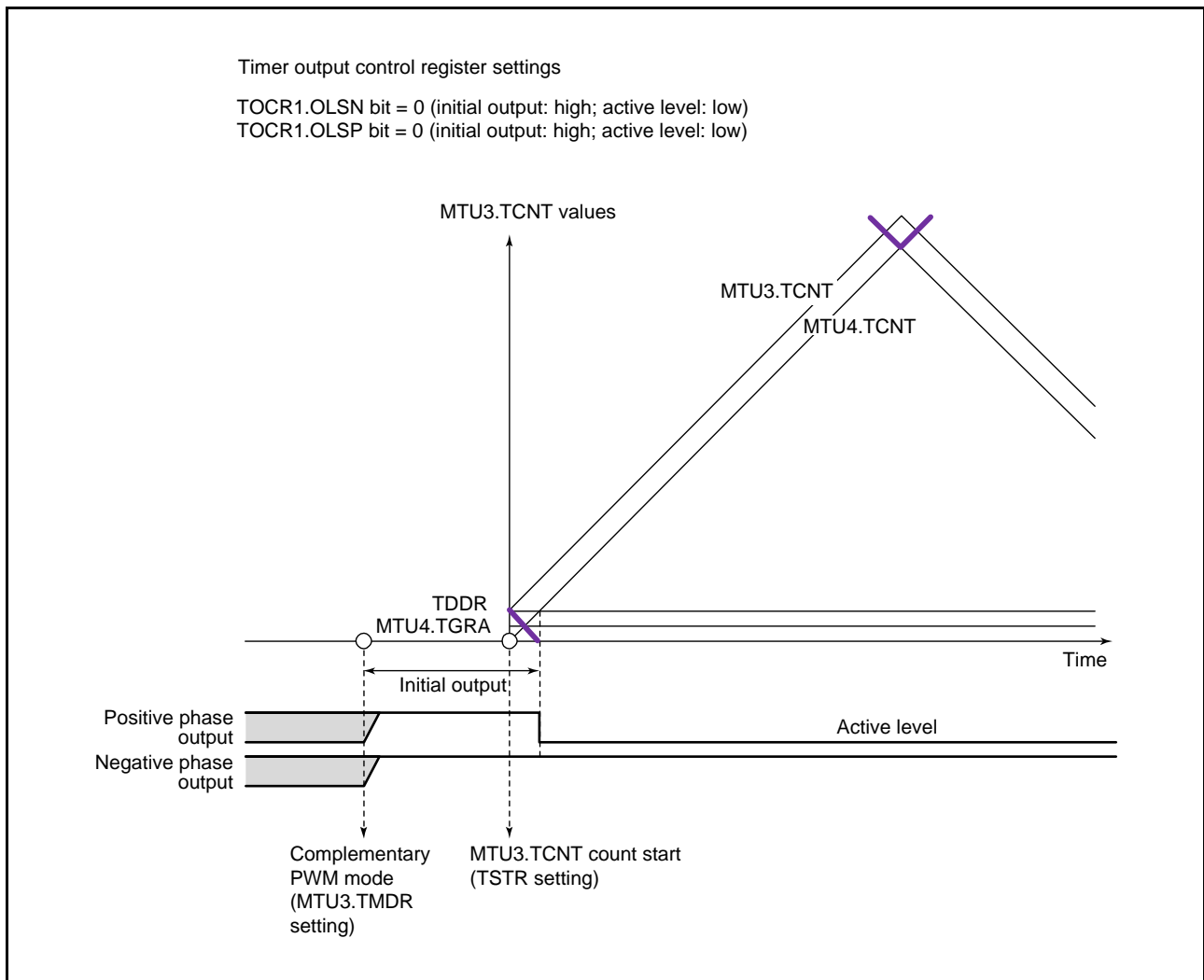


Figure 21.45 Example of Initial Output in Complementary PWM Mode (2)

(j) Method for Generating PWM Output in Complementary PWM Mode

In complementary PWM mode, three phases of PWM waveforms are output with a non-overlap time between the positive and negative phases. This non-overlap time is called the dead time.

A PWM waveform is generated by output of the level selected in the timer output control register in the event of a compare match between a counter and a compare register. While TCNTS is counting, the compare register and temporary register values are simultaneously compared to create consecutive PWM pulses from 0 to 100%. The relative timing of turn-on and turn-off compare match occurrence may vary, but the compare match that turns off each phase takes precedence to secure the dead time and ensure that the positive-phase and negative-phase turn-on times do not overlap. Figure 21.46 to Figure 21.48 show examples of waveform generation in complementary PWM mode.

The positive-phase and negative-phase turn-off timing is generated by a compare match with the MTU3.TCNT counter, and the turn-on timing by a compare match with the MTU4.TCNT counter, which operates with a delay of the dead time behind the MTU3.TCNT counter. In the T1 period, compare match a that turns off the negative phase has the highest priority, and compare matches before a are ignored. In the T2 period, compare match c that turns off the positive phase has the highest priority, and compare matches before c are ignored.

In most cases, compare matches occur in the order a → b → c → d (or c → d → a' → b') as shown in Figure 21.46.

If compare matches deviate from the a → b → c → d order, since the time for which the negative phase is off is shorter than twice the dead time, the positive phase is not turned on. If compare matches deviate from the c → d → a' → b' order, since the time for which the positive phase is off is shorter than twice the dead time, the negative phase is not turned on.

As shown in Figure 21.47, if compare match c follows compare match a before compare match b, compare match b is ignored and the negative phase is turned on by compare match d. This is because turning off the positive phase has higher priority due to the occurrence of compare match c (positive-phase off timing) before compare match b (positive-phase on timing) (consequently, the waveform does not change because the positive phase goes from off to off).

Similarly, in the example in Figure 21.48, compare match a' with new data in the temporary register occurs before compare match c, but until compare match c, which turns off the positive phase, other compare matches are ignored. As a result, the negative phase is not turned on.

Thus, in complementary PWM mode, compare matches at turn-off timings take precedence, and turn-on timing compare matches that occur before a turn-off timing compare match are ignored.

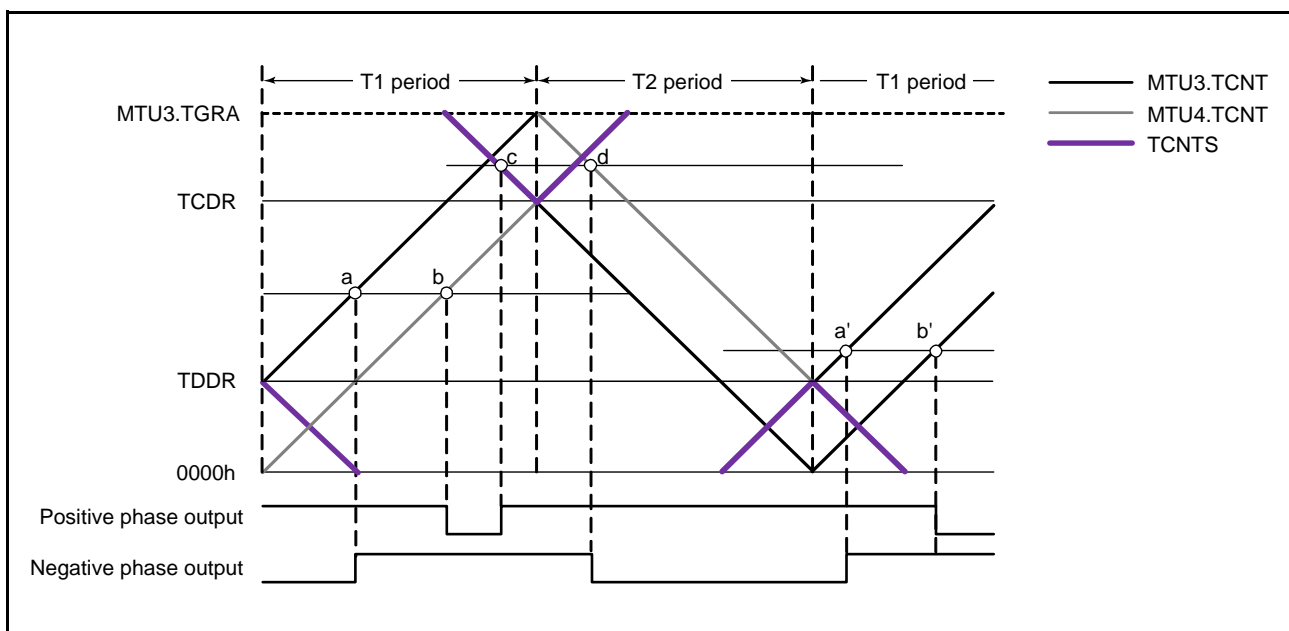


Figure 21.46 Example of Waveform Output in Complementary PWM Mode (1)

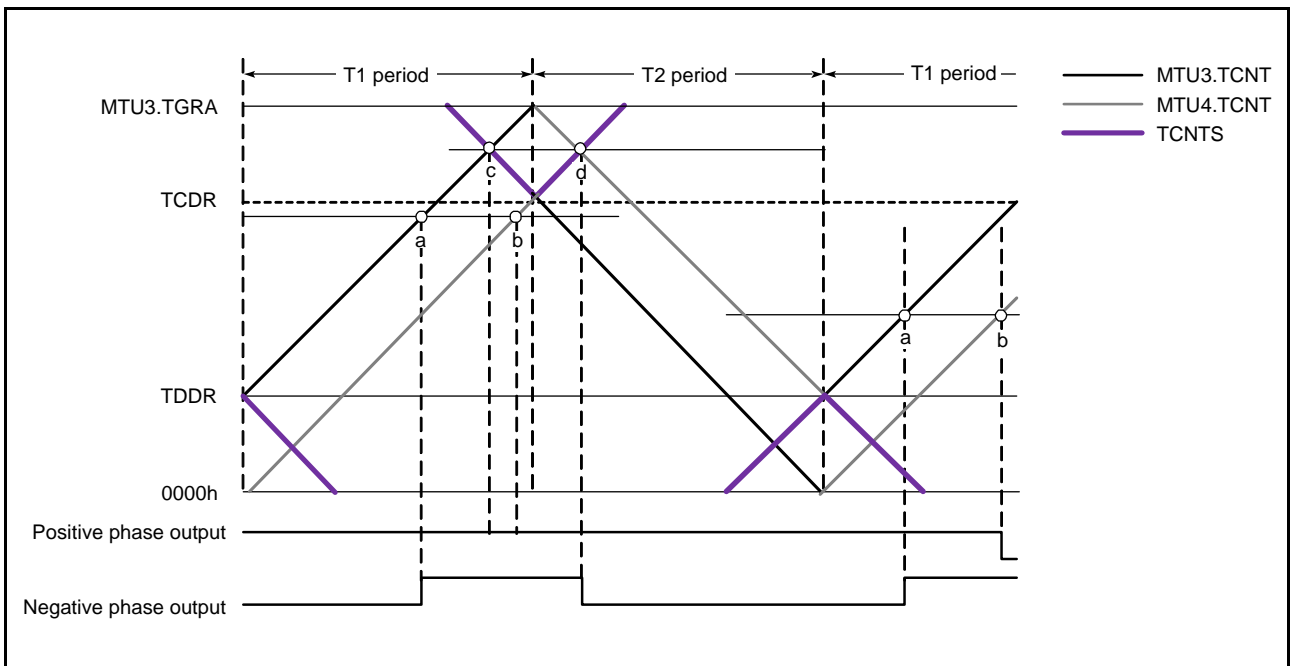


Figure 21.47 Example of Waveform Output in Complementary PWM Mode (2)

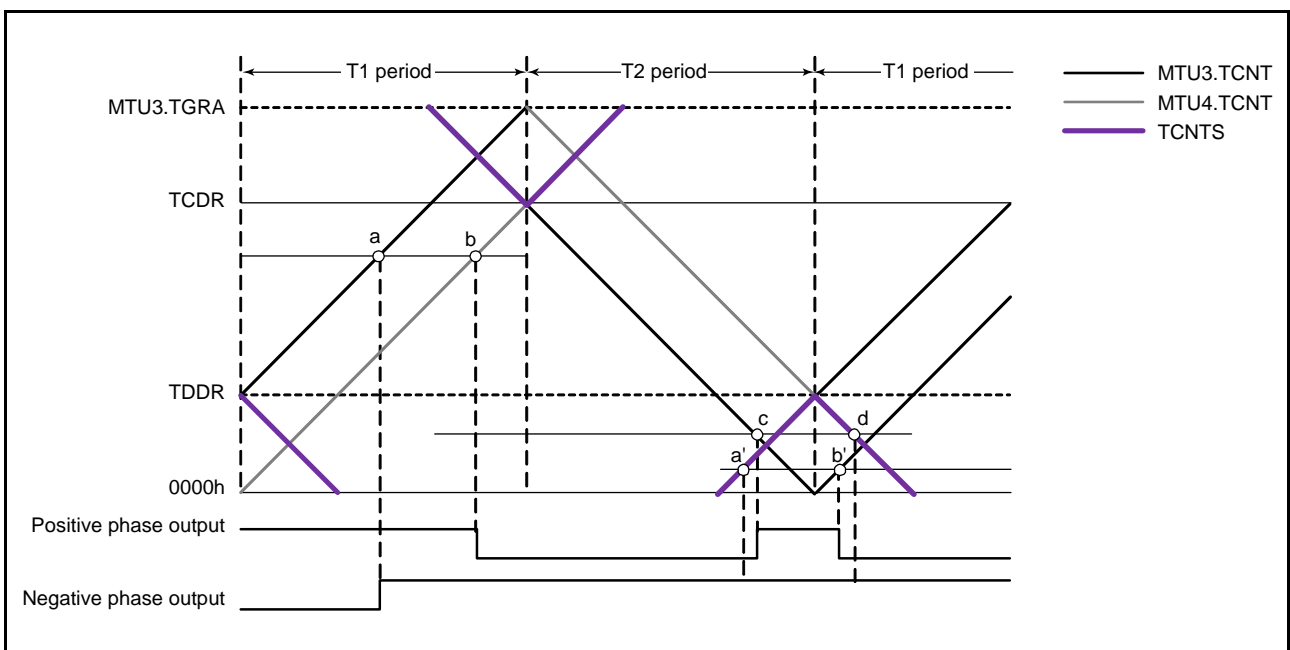


Figure 21.48 Example of Waveform Output in Complementary PWM Mode (3)

(k) 0% and 100% Duty Cycle Output in Complementary PWM Mode

In complementary PWM mode, 0% and 100% duty cycle PWM waveforms can be output as required. Figure 21.49 to Figure 21.53 show output examples.

A 100% duty cycle waveform is output when the compare register value is set to 0000h. The waveform in this case has a positive phase with a 100% on-state. A 0% duty cycle waveform is output when the compare register value is set to the same value as MTU3.TGRA. The waveform in this case has a positive phase with a 100% off-state.

On and off compare matches occur simultaneously, but if a turn-on compare match and turn-off compare match for the same phase occur simultaneously, both compare matches are ignored and the waveform does not change.

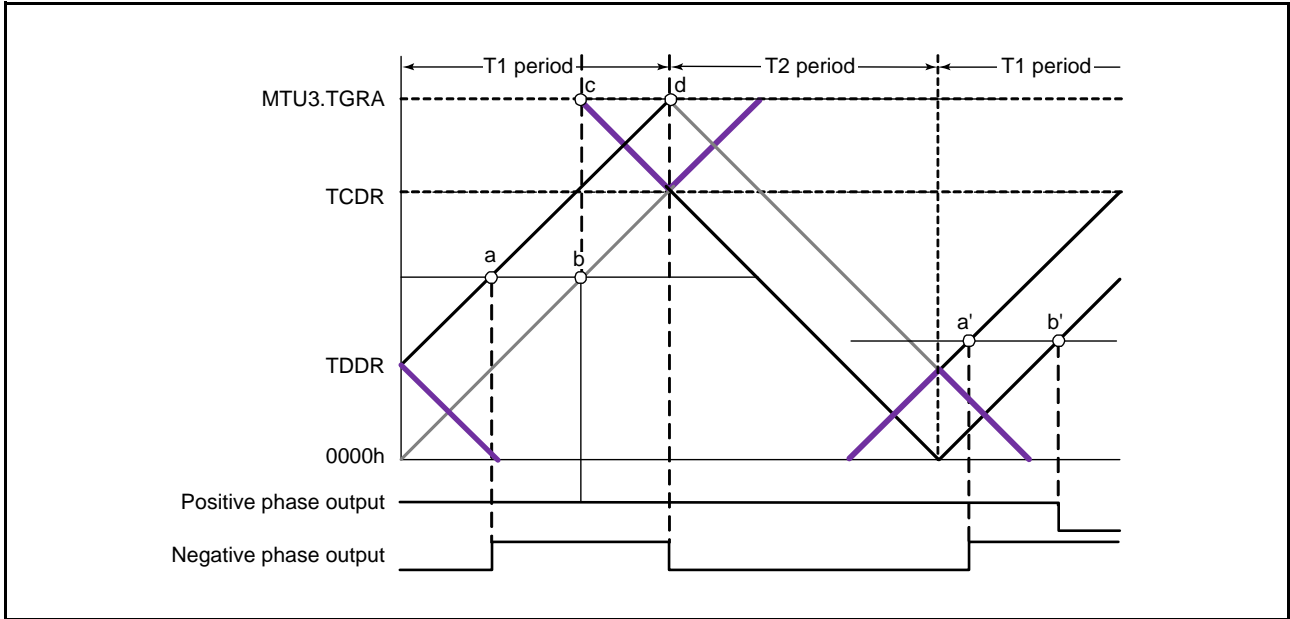


Figure 21.49 Example of 0% and 100% Waveform Output in Complementary PWM Mode (1)

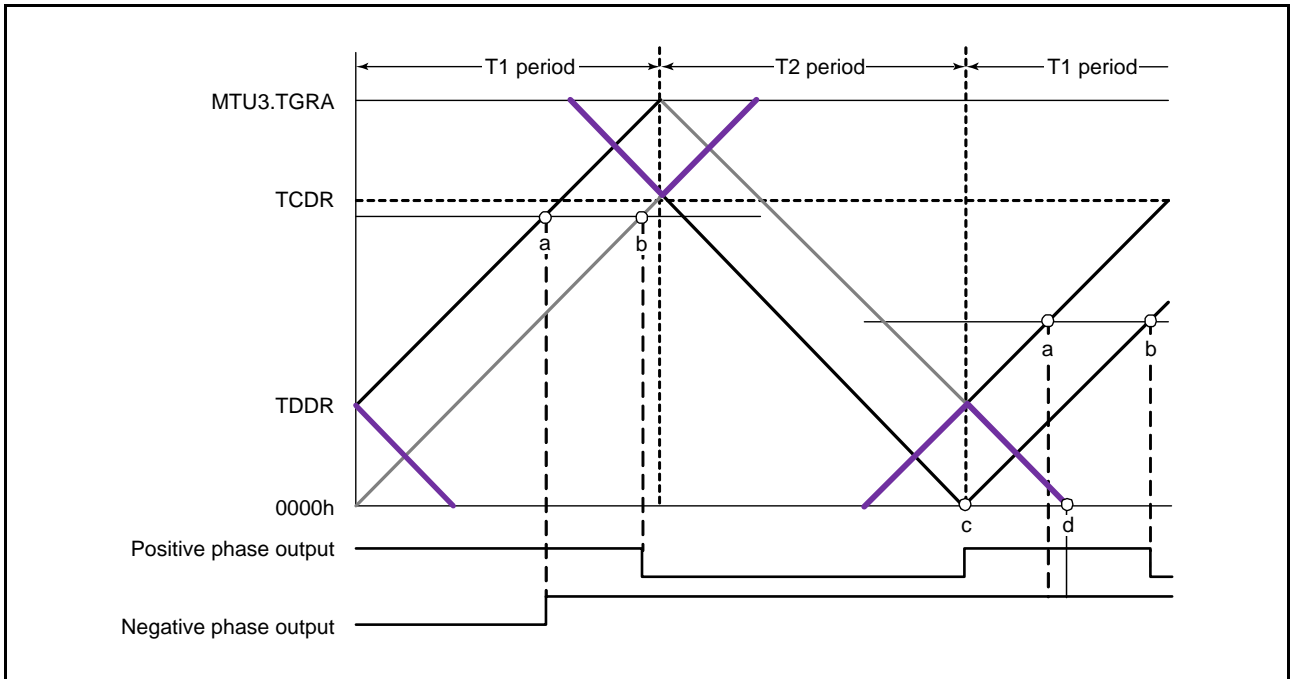


Figure 21.50 Example of 0% and 100% Waveform Output in Complementary PWM Mode (2)

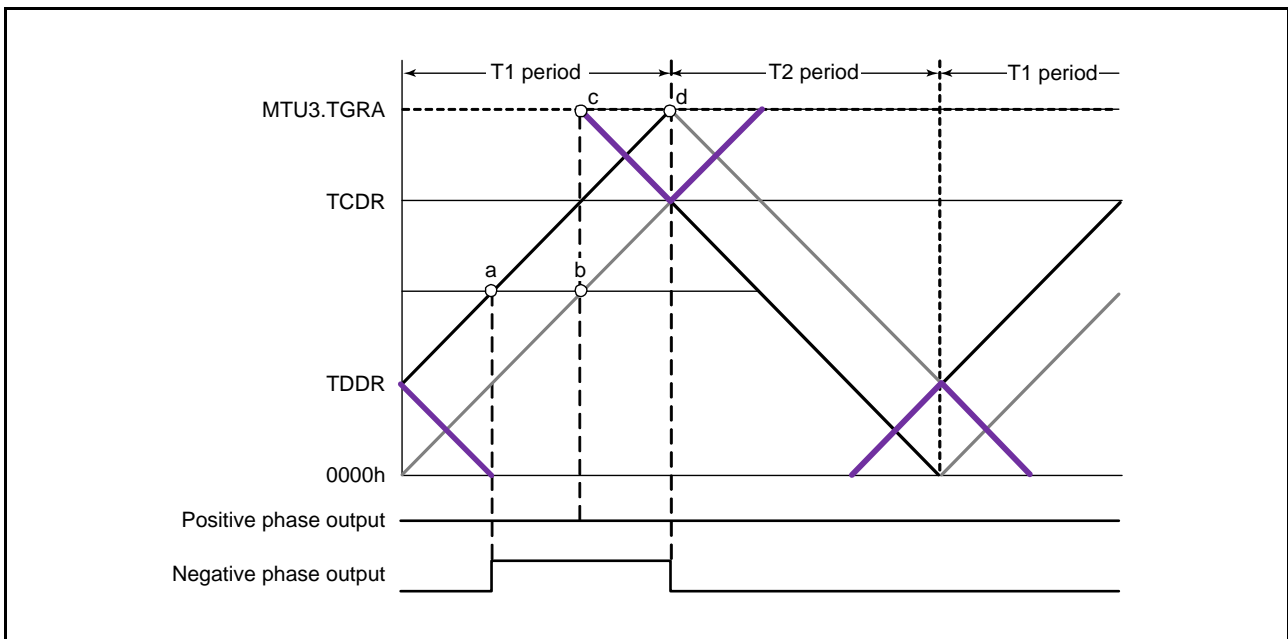


Figure 21.51 Example of 0% and 100% Waveform Output in Complementary PWM Mode (3)

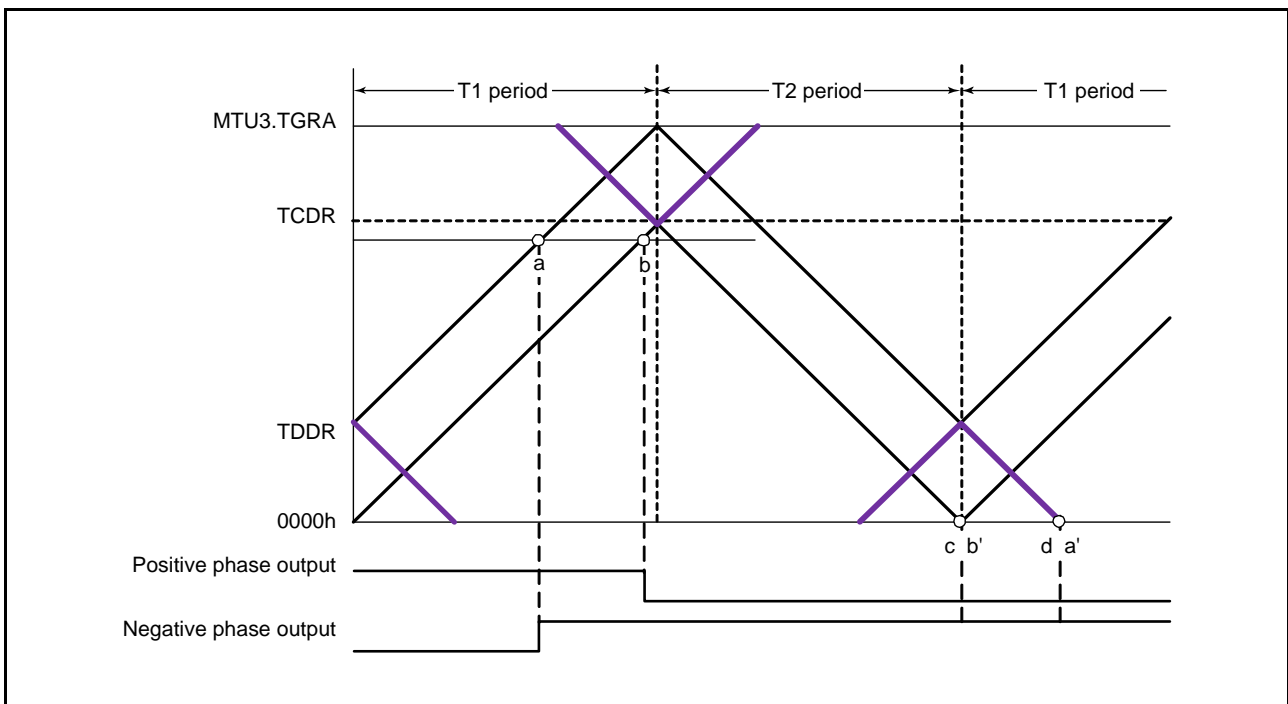


Figure 21.52 Example of 0% and 100% Waveform Output in Complementary PWM Mode (4)

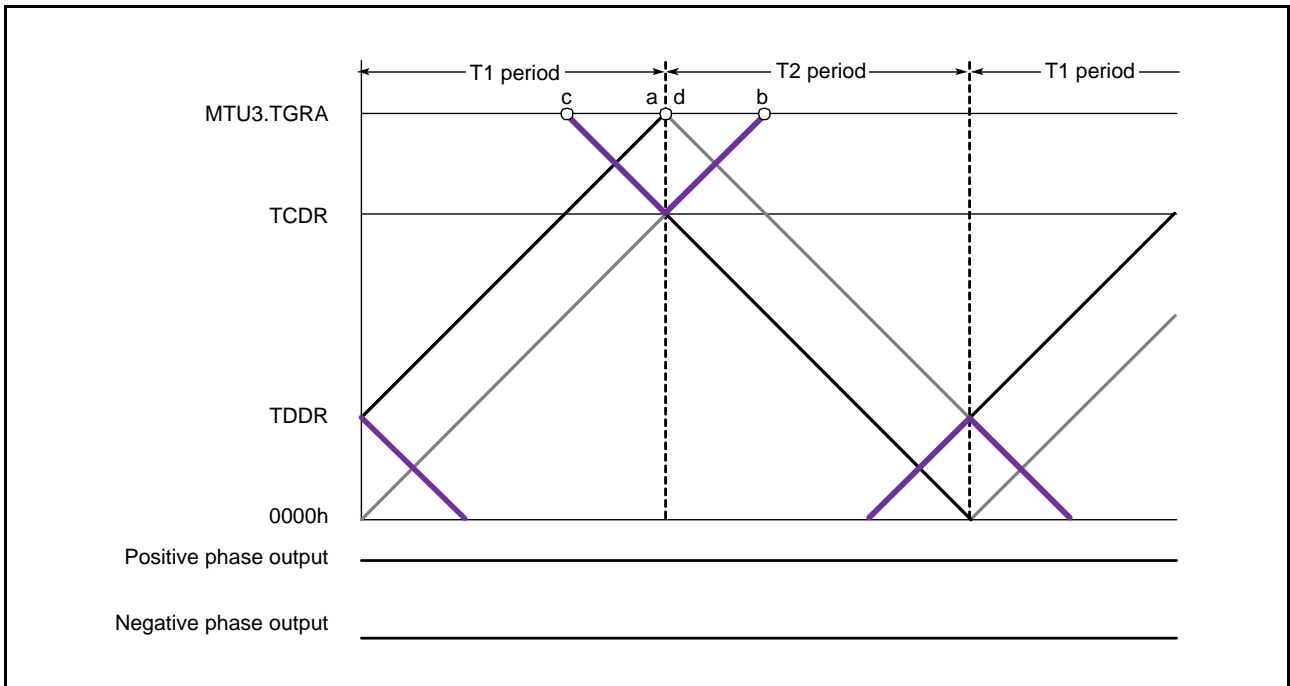


Figure 21.53 Example of 0% and 100% Waveform Output in Complementary PWM Mode (5)

(l) Toggle Output Synchronized with PWM Cycle

In complementary PWM mode, toggle output in synchronization with the PWM carrier cycle can be generated by setting the PSYE bit to 1 in the timer output control register (TOCR). An example of a toggle output waveform is shown in Figure 21.54.

This output is toggled by a compare match between MTU3.TCNT and MTU3.TGRA and a compare match between MTU4.TCNT and 0000h.

The MTIOC3A pin is assigned for this toggle output. The initial output is High.

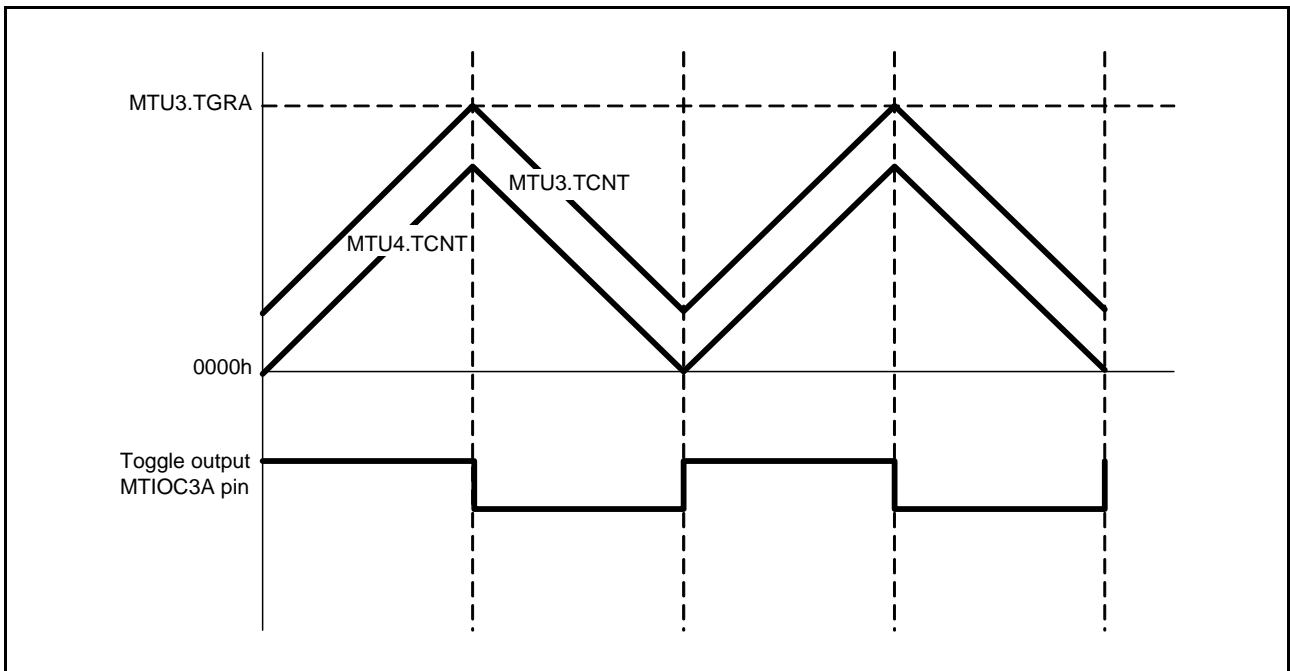


Figure 21.54 Example of Toggle Output Waveform Synchronized with PWM Output

(m) Counter Clearing by Another Channel

In complementary PWM mode, MTU3.TCNT, MTU4.TCNT, and TCNTS can be cleared by another channel when a mode for synchronization with another channel is specified through the timer synchronous register (TSYR) and synchronous clearing is selected with bits CCLR[2:0] in the timer control register (TCR).

Figure 21.55 illustrates an example of this operation.

Use of this function enables a counter to be cleared and restarted through an external signal.

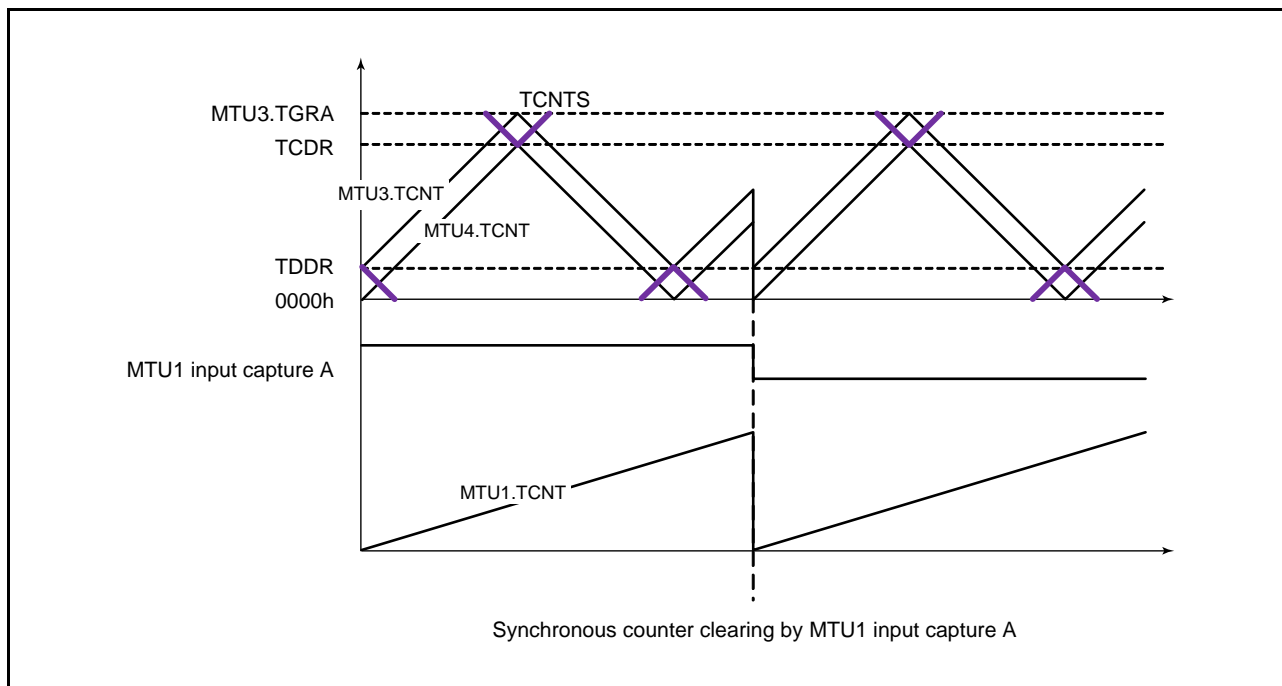


Figure 21.55 Counter Clearing Synchronized with Another Channel

(n) Output Waveform Control at Synchronous Counter Clearing in Complementary PWM Mode

Setting the WRE bit in TWCR to 1 suppresses initial output when synchronous counter clearing occurs in the T_b interval at the trough in complementary PWM mode and controls abrupt change in duty cycle at synchronous counter clearing. Initial output suppression through setting WRE bit to 1 is applicable only when synchronous clearing occurs in the T_b interval at the trough as indicated by (10) or (11) in Figure 21.56. When synchronous clearing occurs outside that interval, the initial value specified by the OLSN and OLSP bits in TOCR1 is output. Even in the T_b interval at the trough, if synchronous clearing occurs in the initial output period (indicated by (1) in Figure 21.56) immediately after the counters start operation, initial value output is not suppressed.

Synchronous clearing generated in MTU0 to MTU2 can cause counter clearing in the MTU.

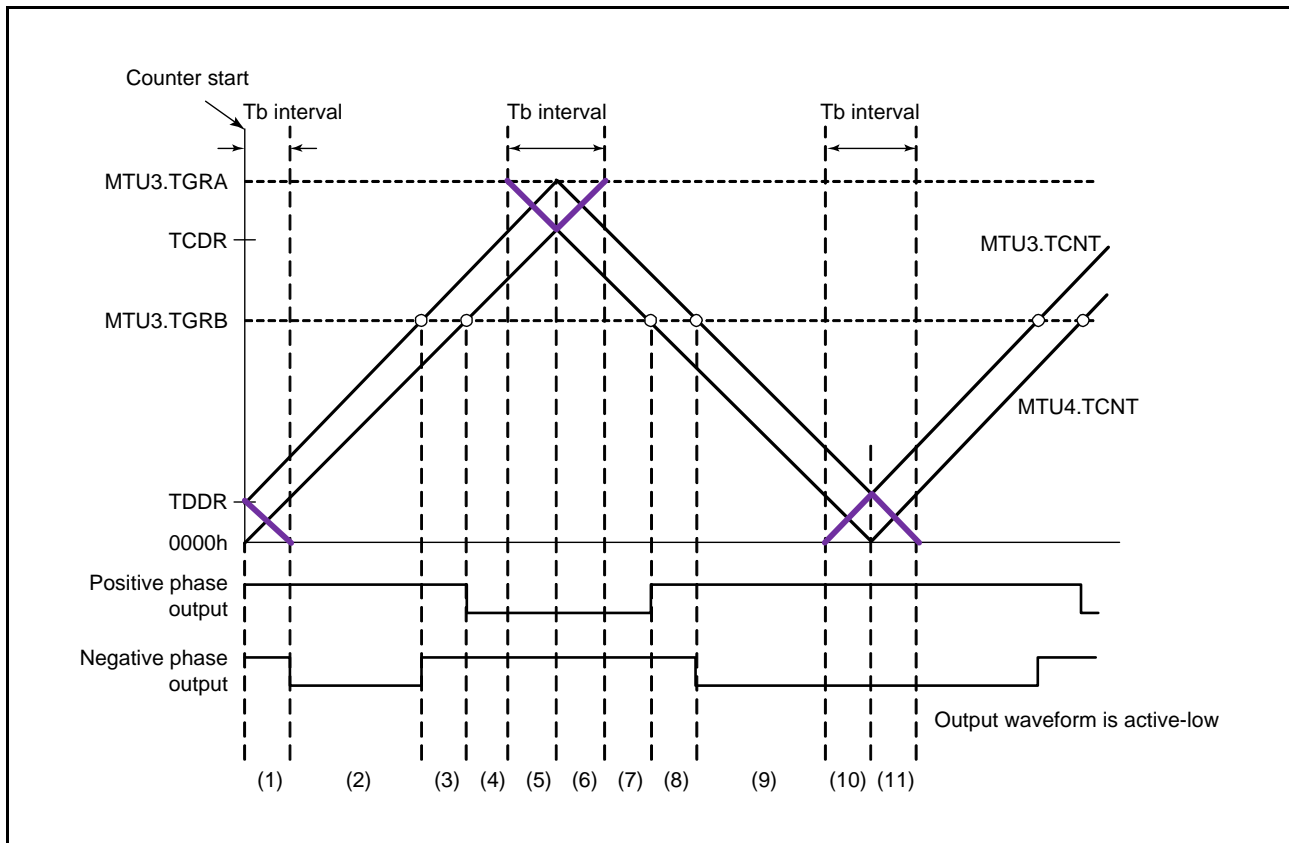


Figure 21.56 Timing for Synchronous Counter Clearing

- Example of Procedure for Setting Output Waveform Control at Synchronous Counter Clearing in Complementary PWM Mode.

An example of the procedure for setting output waveform control at synchronous counter clearing in complementary PWM mode is shown in Figure 21.57.

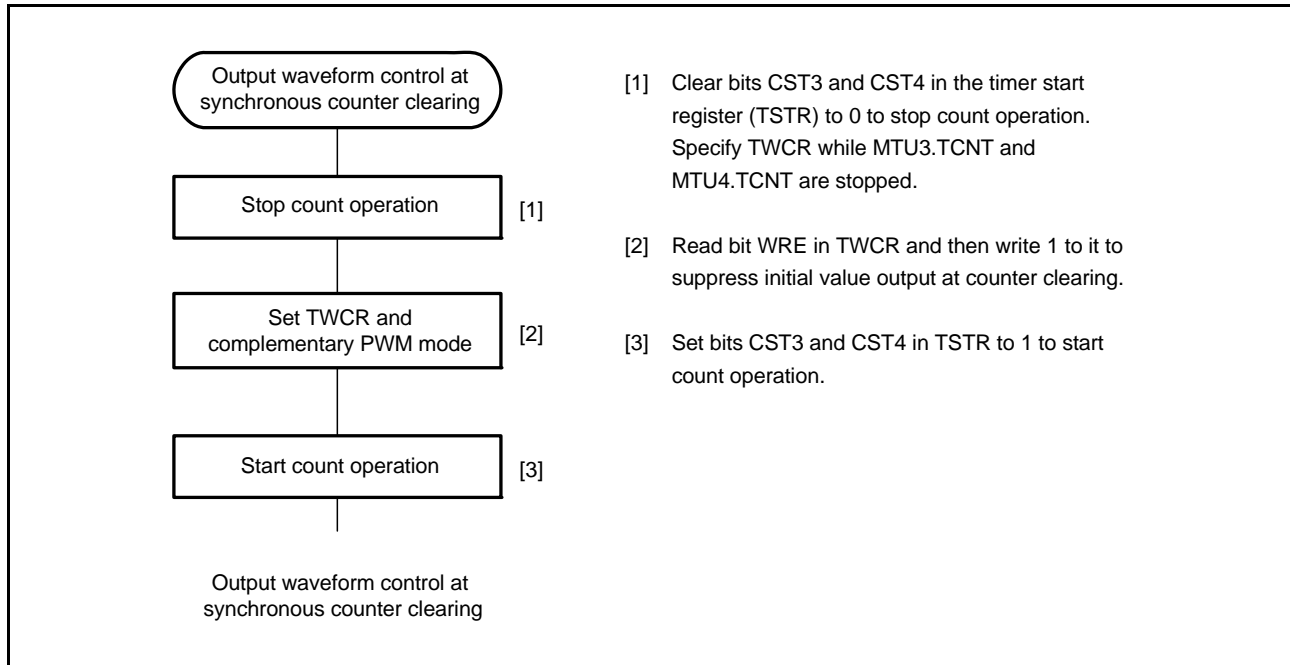


Figure 21.57 Example of Procedure for Setting Output Waveform Control at Synchronous Counter Clearing in Complementary PWM Mode

- Examples of Output Waveform Control at Synchronous Counter Clearing in Complementary PWM Mode
- Figure 21.58 to Figure 21.61 show examples of output waveform control in which the MTU operates in complementary PWM mode and synchronous counter clearing is generated while the WRE bit in TWCR is set to 1. In the examples shown in Figure 21.58 to Figure 21.61, synchronous counter clearing occurs at timing (3), (6), (8), and (11) shown in Figure 21.56, respectively.

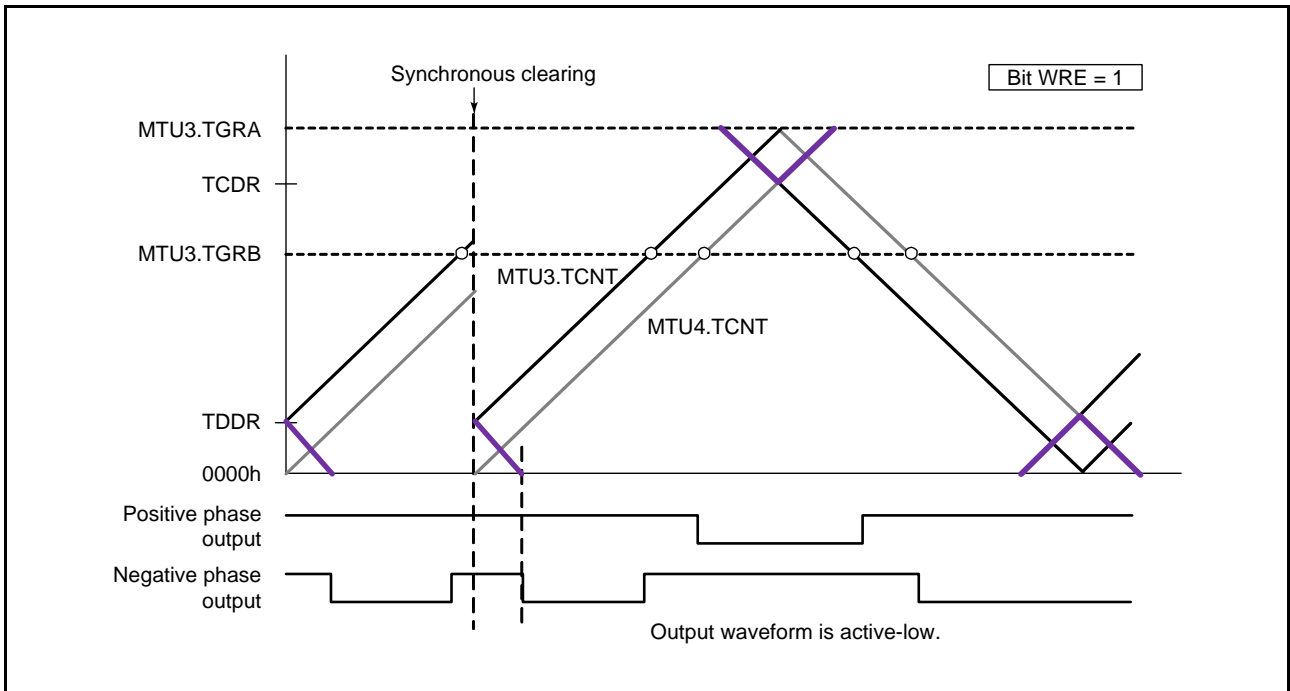


Figure 21.58 Example of Synchronous Clearing in Dead Time during Up-Counting (Timing (3) in Figure 21.56; Bit WRE of TWCR is 1 in the MTU)

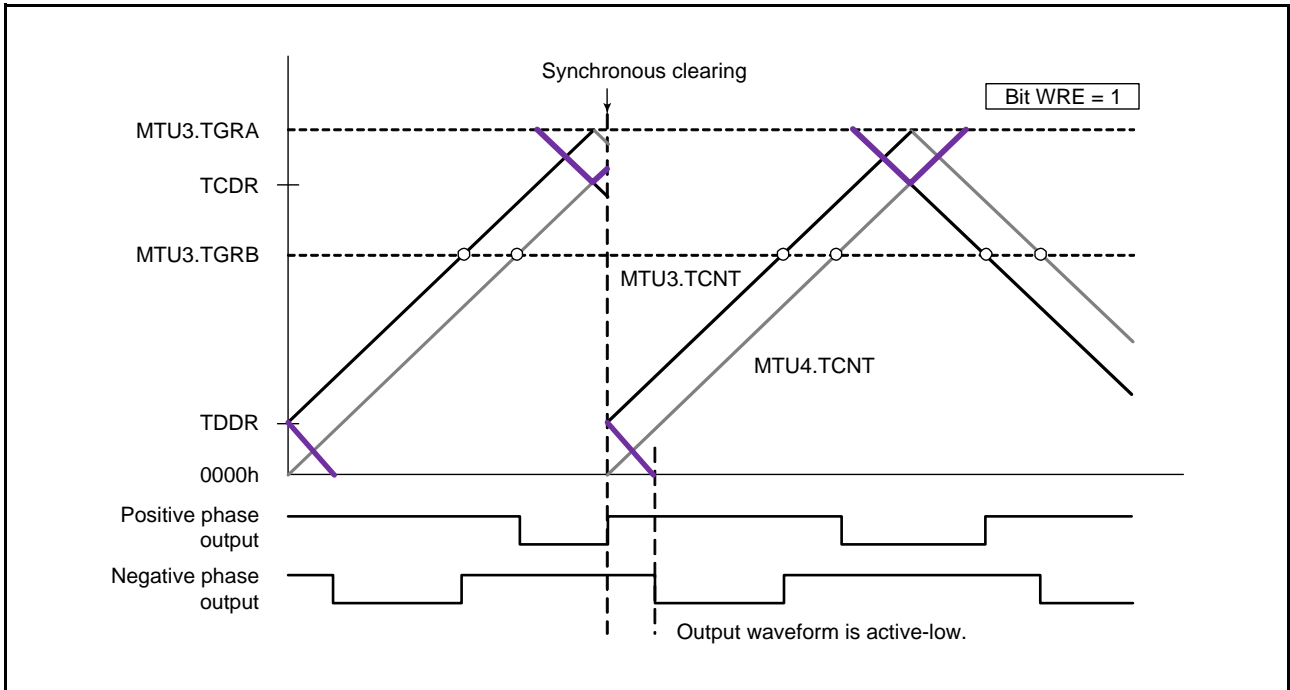


Figure 21.59 Example of Synchronous Clearing in Interval Tb at Crest (Timing (6) in Figure 21.56; Bit WRE of TWCR is 1 in the MTU)

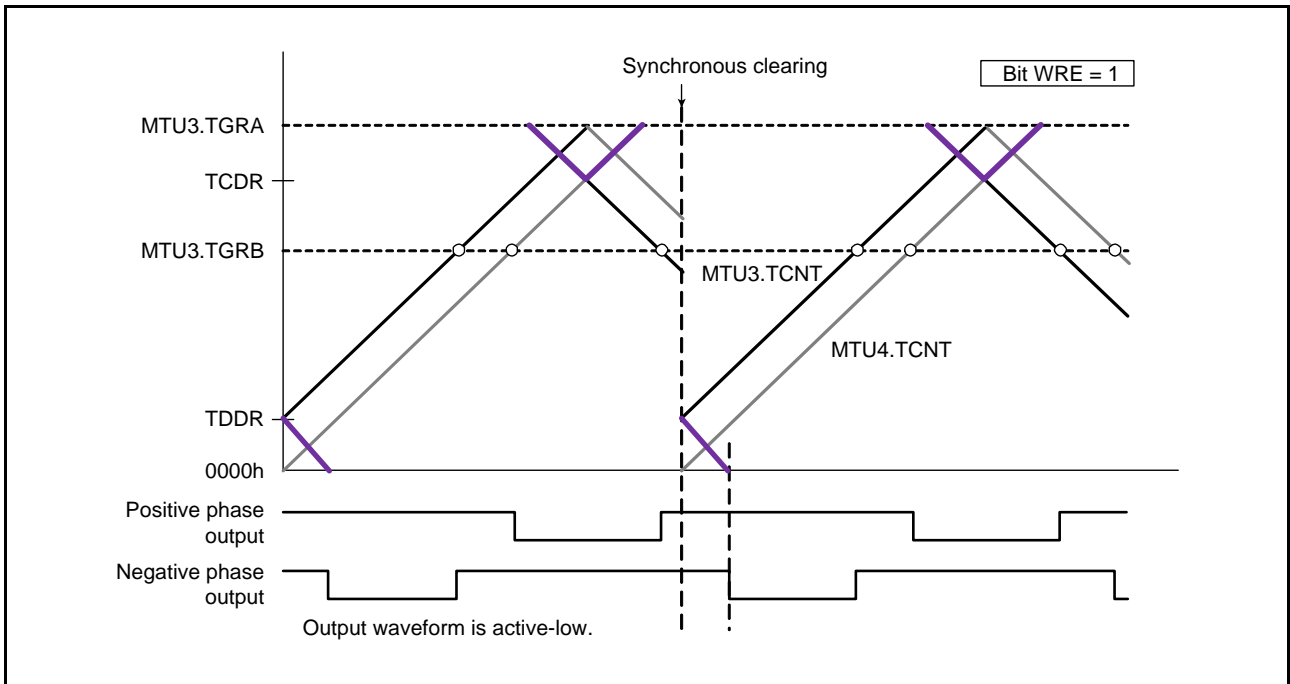


Figure 21.60 Example of Synchronous Clearing in Dead Time during Down-Counting (Timing (8) in Figure 21.56; Bit WRE of TWCR is 1)

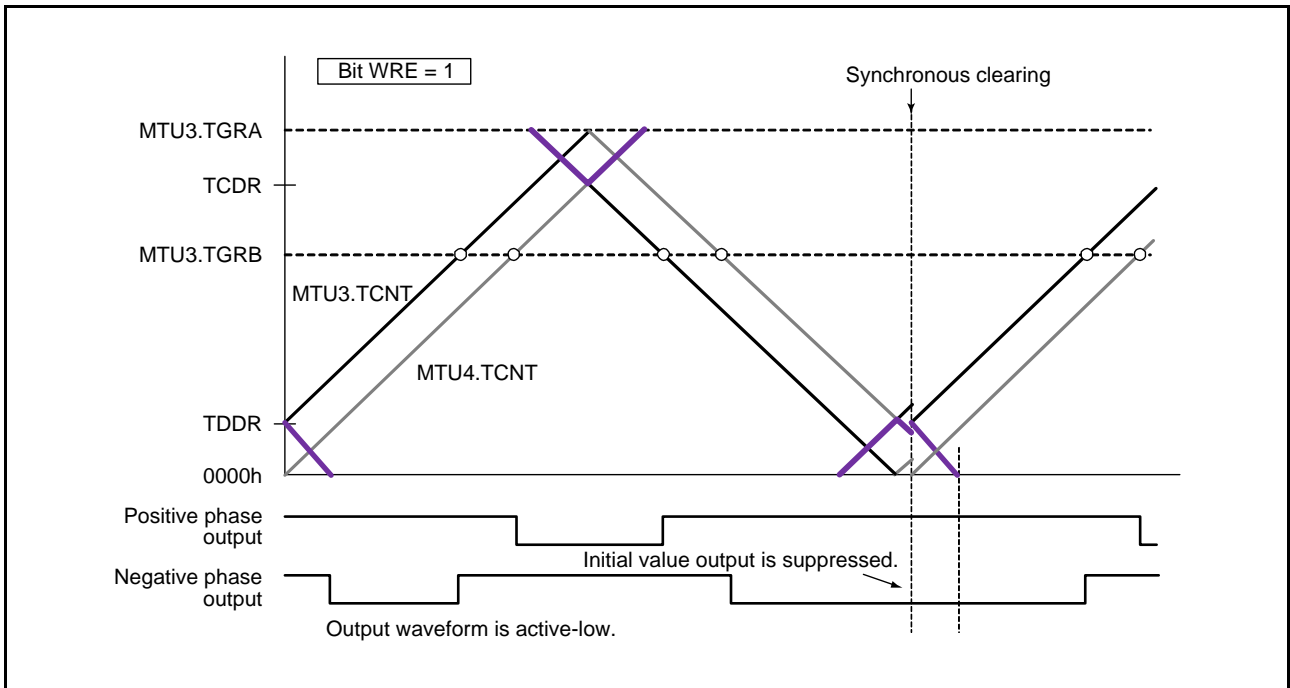


Figure 21.61 Example of Synchronous Clearing in Interval T_b at Trough (Timing (11) in Figure 21.56; Bit WRE of TWCR is 1)

(o) Counter Clearing by MTU3.TGRA Compare Match

In complementary PWM mode, MTU3.TCNT, MTU4.TCNT, and TCNTS can be cleared by MTU3.TGRA compare match when the CCE bit is set in the timer waveform control register (TWCR).

Figure 21.62 illustrates an operation example.

Note: • Use this function only in complementary PWM mode 1 (transfer at crest).

Note: • Do not specify synchronous clearing by another channel (do not set the SYNC0 to SYNC4 bits in the timer synchronous register (TSYR) to 1).

Note: • Do not set the PWM duty cycle value to 0000h.

Note: • Do not set the PSYE bit in timer output control register 1 (TOCR1) to 1.

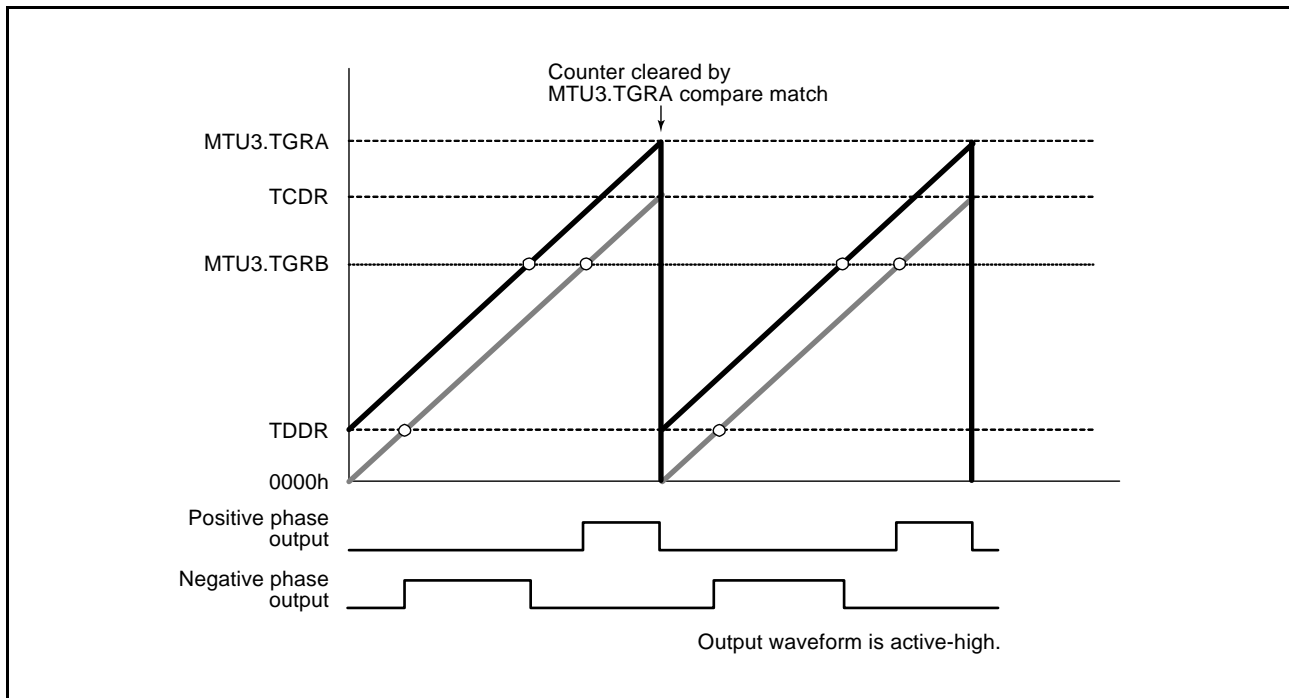


Figure 21.62 Example of Counter Clearing Operation by MTU3.TGRA Compare Match

(p) Example of Waveform Output for Driving AC Synchronous Motor (Brushless DC Motor)

In complementary PWM mode, a brushless DC motor can easily be controlled using the timer gate control register (TGCR). Figure 21.63 to Figure 21.66 show examples of brushless DC motor driving waveforms created using TGCR. To switch the output phases for a 3-phase brushless DC motor by means of external signals detected with a Hall element, etc., clear the FB bit in TGCR to 0. In this case, the external signals indicating the magnetic pole position should be input to timer input pins MTIOC0A, MTIOC0B, and MTIOC0C in MTU0 (set with PFS). When an edge is detected at pin MTIOC0A, MTIOC0B, or MTIOC0C, the output on/off state is switched automatically.

When the FB bit is 1, the output on/off state is switched when the UF, VF, or WF bit in TGCR is cleared to 0 or set to 1. The driving waveforms are output from the 6-phase output pins for complementary PWM mode.

With this 6-phase output, while the output is turned on, chopping output is available through complementary PWM mode output function by setting the N bit or P bit in TGCR to 1. When the N bit or P bit is 0, the level output is selected.

The active level of the 6-phase output (on output level) can be set with the OLSN and OLSP bits in the timer output control register1 (TOCR1) regardless of the setting of the N and P bits.

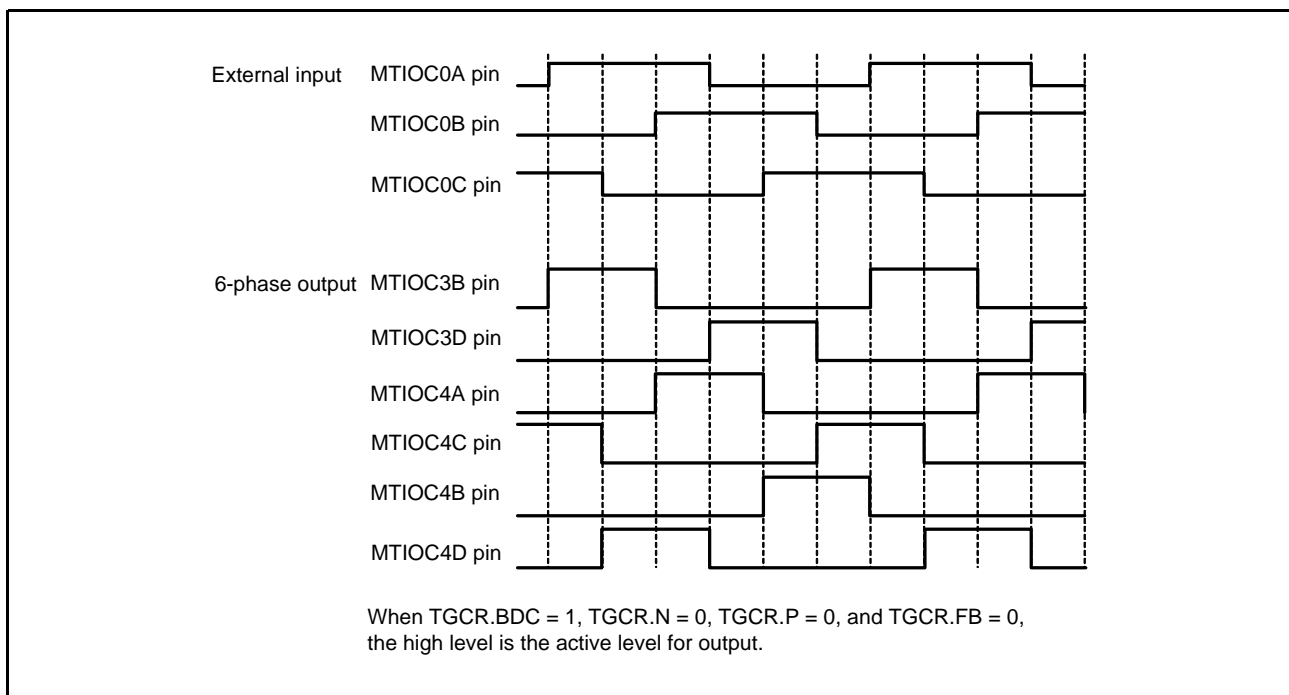


Figure 21.63 Example of Output Phase Switching by External Input (1)

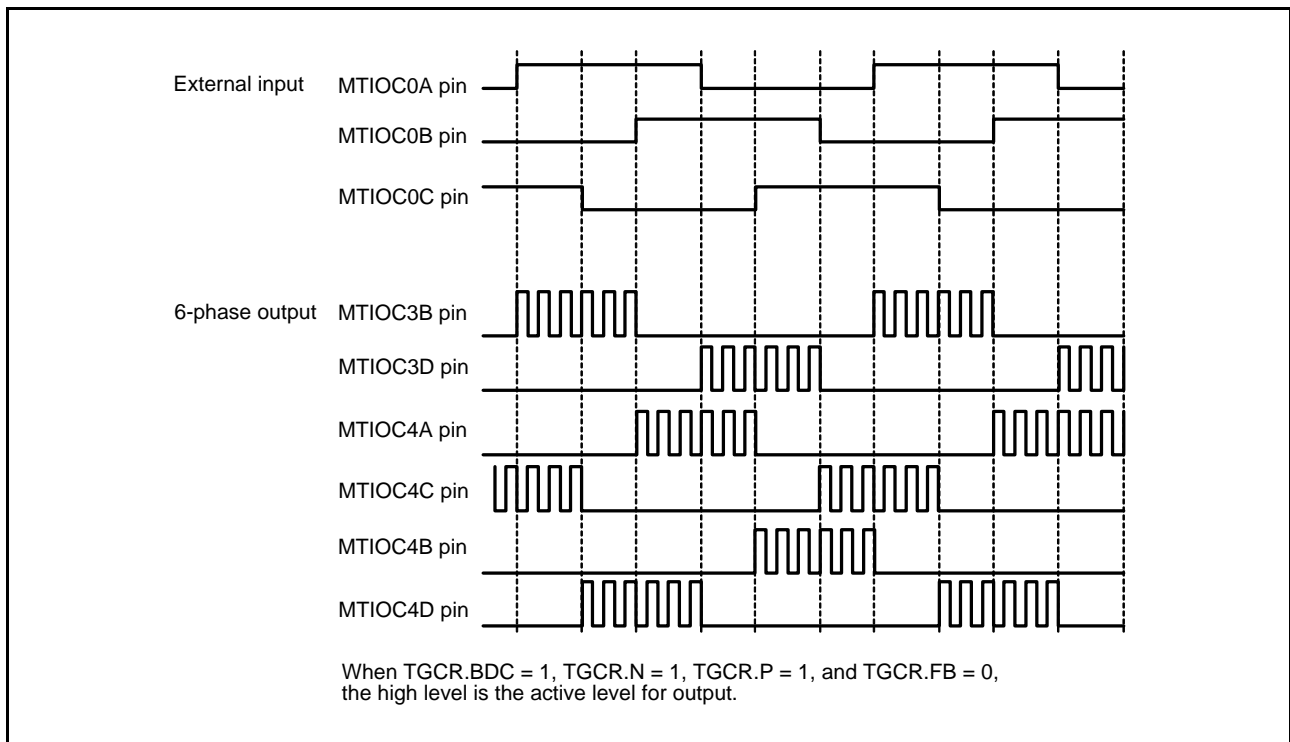


Figure 21.64 Example of Output Phase Switching by External Input (2)

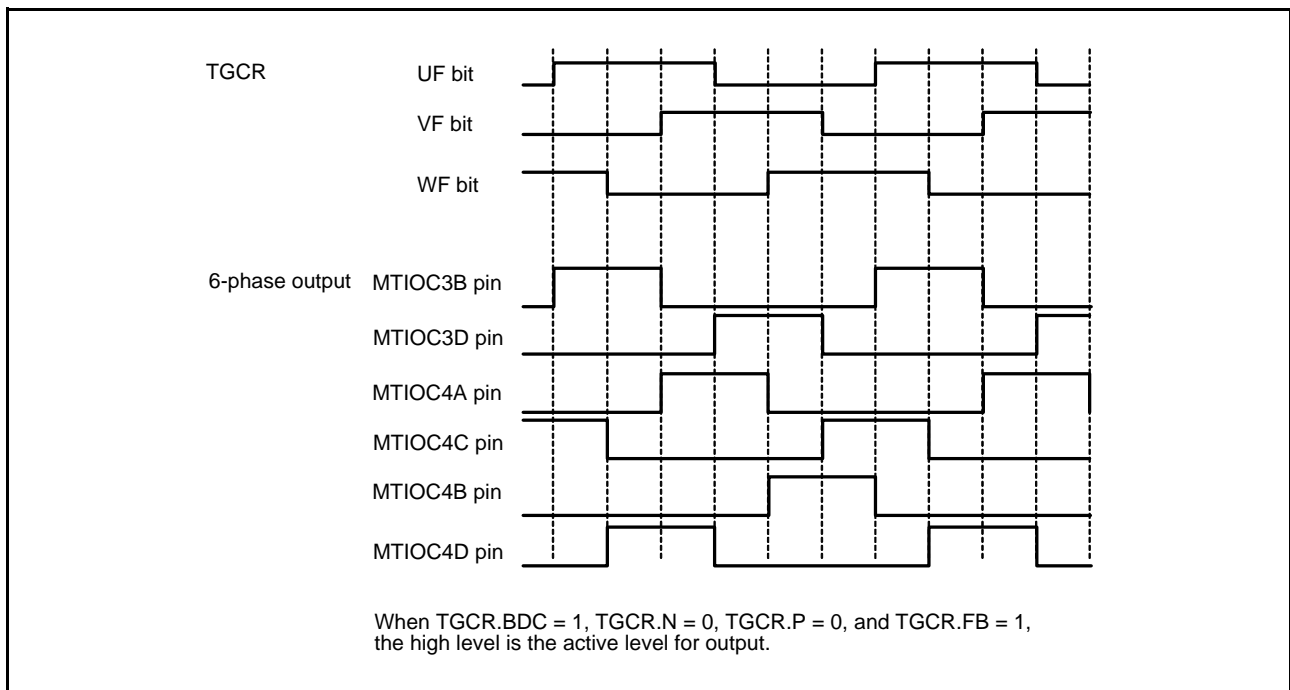


Figure 21.65 Example of Output Phase Switching through UF, VF, and WF Bit Settings (1)

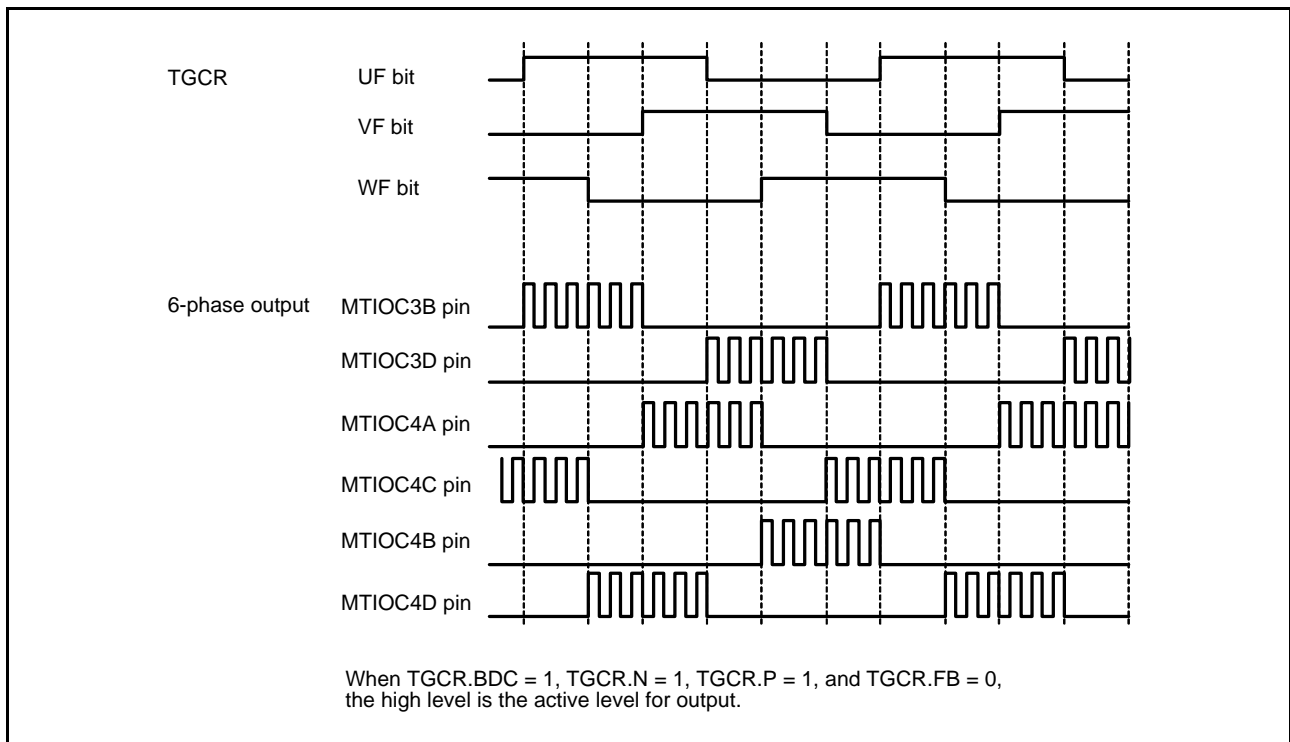


Figure 21.66 Example of Output Phase Switching through UF, VF, and WF Bit Settings (2)

(q) A/D Converter Start Request Setting

In complementary PWM mode, an A/D converter start request can be issued using MTU3.TGRA compare match, MTU4.TCNT underflow (trough), or compare match on a channel other than MTU3 and MTU4.

When start requests using MTU3.TGRA compare match are specified, A/D conversion can be started at the crest of the MTU3.TCNT count.

A/D converter start requests can be specified by setting the TTGE bit to 1 in the timer interrupt enable register (TIER). To issue an A/D converter start request at an MTU4.TCNT underflow (trough), set the TTGE2 bit in MTU4.TIER to 1.

(3) Interrupt Skipping in Complementary PWM Mode

Interrupts TGIA3 (at the crest) and TCIV4 (at the trough) in MTU3 and MTU4 can be skipped up to seven times by making settings in the timer interrupt skipping set register (TITCR).

Transfers from a buffer register to a temporary register or a compare register can be skipped in coordination with interrupt skipping by making settings in the timer buffer transfer register (TBTER). For the linkage with buffer registers, refer to description (c), **Buffer Transfer Control Linked with Interrupt Skipping**, below.

A/D converter start requests generated by the A/D converter start request delaying function can also be skipped in coordination with interrupt skipping by making settings in the timer A/D converter request control register (TADCR). For the linkage with the A/D converter start request delaying function, refer to **section 21.3.9, A/D Converter Start Request Delaying Function**.

The timer interrupt skipping setting register (TITCR) should be set while the TGIA3 and TCIV4 interrupt requests are disabled by the settings of MTU3.TIER and MTU4.TIER under the conditions in which compare match never occur and TGIA3 and TGIA4 interrupt requests by compare match are never generated. Before changing the skipping count, be sure to clear the T3AEN and T4VEN bits in TITCR to 0 to clear the skipping counter.

(a) Example of Interrupt Skipping Operation Setting Procedure

Figure 21.67 shows an example of the interrupt skipping operation setting procedure. Figure 21.68 shows the periods during which interrupt skipping count can be changed.

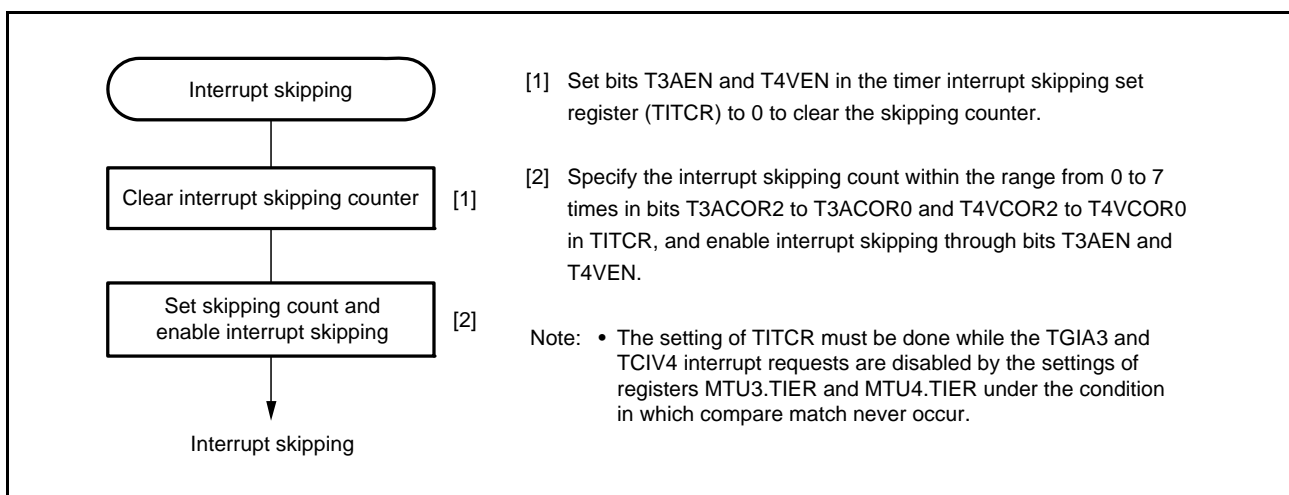


Figure 21.67 Example of Interrupt Skipping Operation Setting Procedure

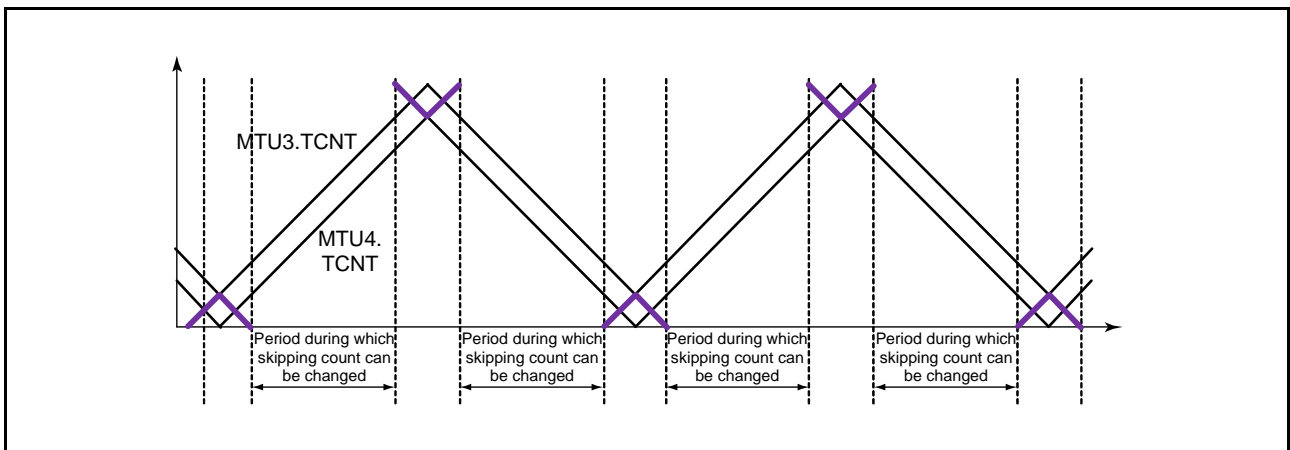


Figure 21.68 Periods during which Interrupt Skipping Count can be Changed

(b) Example of Interrupt Skipping Operation

Figure 21.69 shows an example of MTU3.TGIA interrupt skipping in which the interrupt skipping count is set to three by the T3ACOR bits and the T3AEN bit is set to 1 in the timer interrupt skipping set register (TITCR).

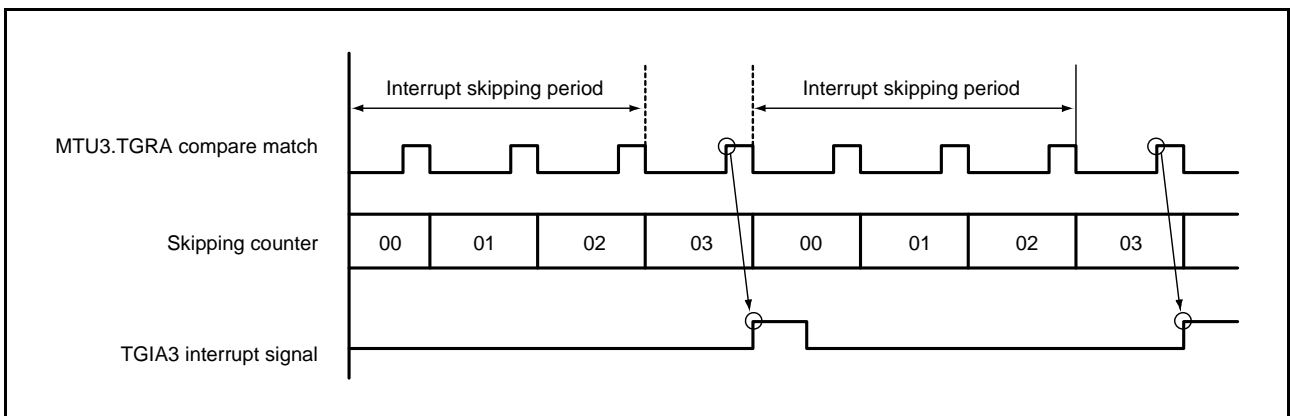


Figure 21.69 Example of Interrupt Skipping Operation

(c) Buffer Transfer Control Linked with Interrupt Skipping

In complementary PWM mode, whether to transfer data from a buffer register to a temporary register and whether to link the transfer with interrupt skipping can be specified with the BTE[1:0] bits in the timer buffer transfer set register (TBTER).

Figure 21.70 shows an example of operation when buffer transfer is disabled (BTE[1:0] = 01b). While this setting is valid, data is not transferred from the buffer register to the temporary register.

Figure 21.71 shows an example of operation when buffer transfer is linked with interrupt skipping (BTE[1:0] = 10b). While this setting is valid, data is not transferred from the buffer register to the temporary register outside the buffer transfer-enabled period.

Note that the buffer transfer-enabled period depends on the T3AEN and T4VEN bit settings in the timer interrupt skipping set register (TITCR). Figure 21.72 shows the relationship between the T3AEN and T4VEN bit settings in TITCR and buffer transfer-enabled period.

- Note:
- This function must always be used in combination with interrupt skipping. When interrupt skipping is disabled (the T3AEN and T4VEN bits in the timer interrupt skipping set register (TITCR) are cleared to 0 or the skipping count set bits (T3ACOR and T4VCOR) in TITCR are cleared to 0), make sure that buffer transfer is not linked with interrupt skipping (clear the BTE1 bit in the timer buffer transfer set register (TBTER) to 0). If buffer transfer is linked with interrupt skipping while interrupt skipping is disabled, buffer transfer is never performed.

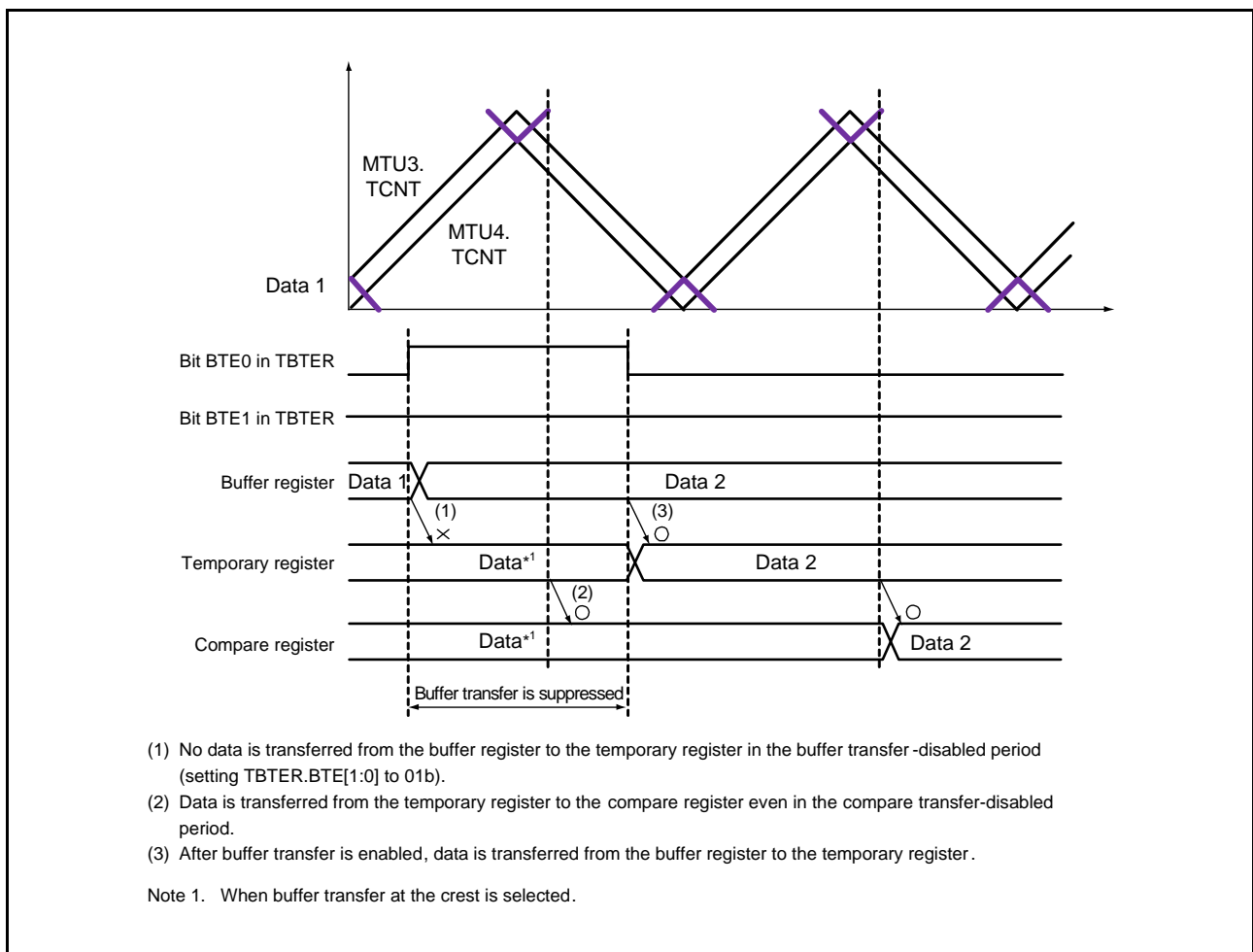


Figure 21.70 Example of Operation when Buffer Transfer is Disabled (BTE[1:0] = 01b)

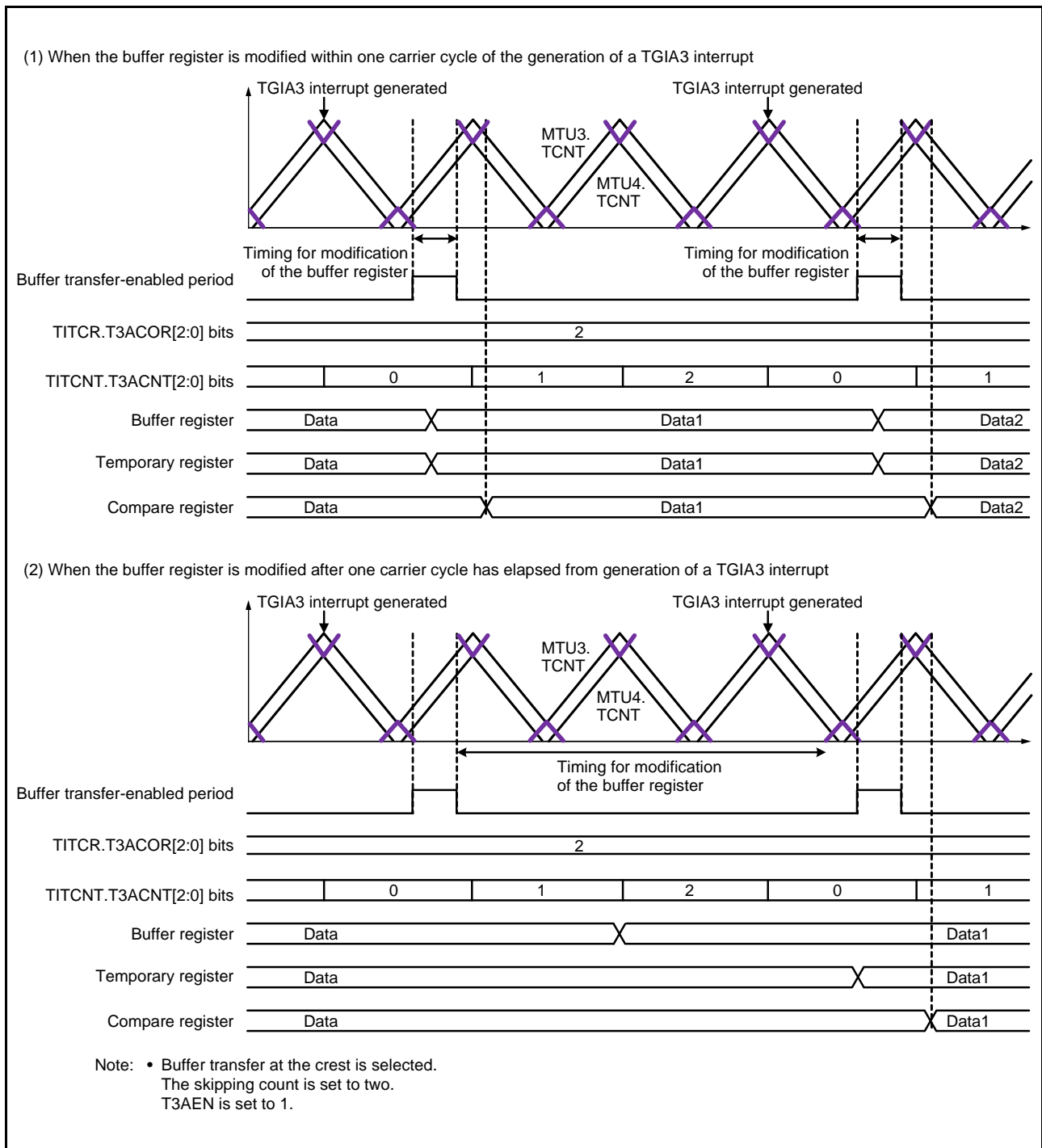


Figure 21.71 Example of Operation when Buffer Transfer is Linked with Interrupt Skipping (BTE[1:0] = 10b)

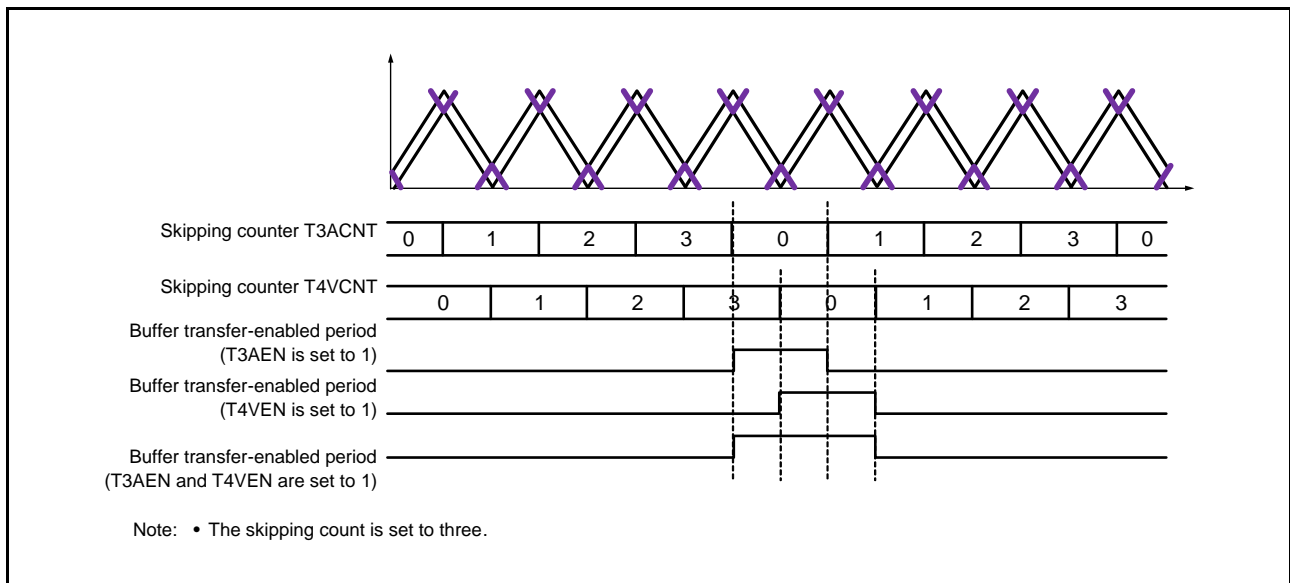


Figure 21.72 Relationship between Bits T3AEN and T4VEN in TITCR and Buffer Transfer-Enabled Period

(4) Complementary PWM Mode Output Protection Functions

The MTU provides the following protection functions for complementary PWM mode output.

(a) Register and Counter Miswrite Prevention Function

With the exception of the buffer registers, which can be modified at any time, access by the CPU can be enabled or disabled for the mode registers, control registers, compare registers, and counters used in complementary PWM mode by means of the RWE bit in the timer read/write enable register (TRWER). The applicable registers are some of the registers in MTU3 and MTU4 shown below:

22 registers in total

MTU3.TCR and MTU4.TCR, MTU3.TMDR and MTU4.TMDR, MTU3.TIORH and MTU4.TIORH, MTU3.TIORK and MTU4.TIORK, MTU3.TIORKL and MTU4.TIORKL, MTU3.TIER and MTU4.TIER, MTU3.TCNT and MTU4.TCNT, MTU3.TGRA and MTU4.TGRA, MTU3.TGRB and MTU4.TGRB, TOER, TOCR1, TOCR2, TGCR, TCDR, and TDDR

This function can disable CPU access to the mode registers, control registers, and counters to prevent miswriting due to CPU runaway. In the access-disabled state, the applicable registers are read as undefined and writing to these registers is ignored.

(b) Halting of PWM Output by External Signal

The 6-phase PWM output pins can be set to the high-impedance state automatically by inputting specified external signals.

See section 22, Port Output Enable 2 (POE2a), for details.

(c) Halting of PWM Output when Oscillator is Stopped

Upon detecting that the clock input to RX210 has stopped, the 6-phase PWM output pins are automatically set to the high-impedance state. Note that the pin states are not guaranteed when the clock is restarted.

See section 9.5, Oscillation Stop Detection Function.

21.3.9 A/D Converter Start Request Delaying Function

A/D converter start requests can be issued in MTU4 by making settings in the timer A/D converter start request control register (TADCR), timer A/D converter start request cycle set registers (MTU4.TADCORA and MTU4.TADCORB), and timer A/D converter start request cycle set buffer registers (MTU4.TADCOBRA and MTU4.TADCOBRB).

The A/D converter start request delaying function compares MTU4.TCNT with MTU4.TADCORA or MTU4.TADCORB, and when their values match, the function issues a respective A/D converter start request (TRG4AN or TRG4BN).

A/D converter start requests (TRG4AN and TRG4BN) can be skipped in coordination with interrupt skipping by making settings in the ITA3AE, ITA4VE, ITB3AE, and ITB4VE bits in TADCR.

(1) Example of Procedure for Specifying A/D Converter Start Request Delaying Function

Figure 21.73 shows an example of procedure for specifying the A/D converter start request delaying function.

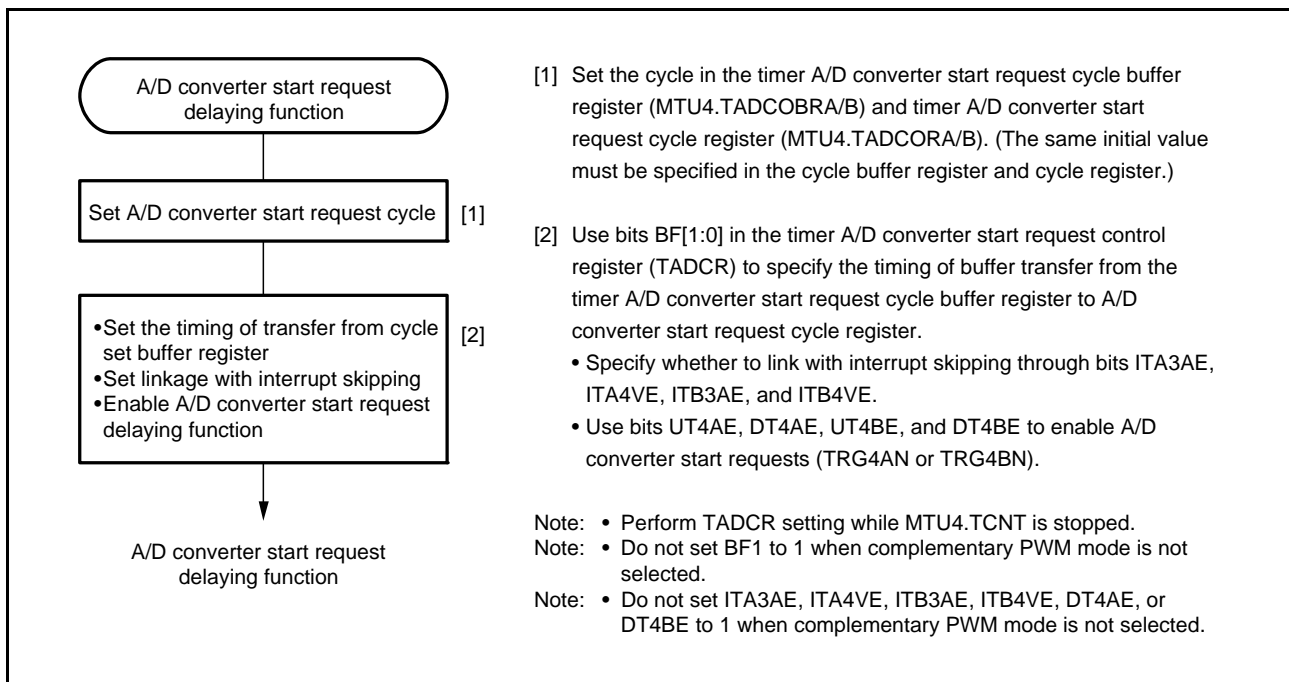


Figure 21.73 Example of Procedure for Specifying A/D Converter Start Request Delaying Function

(2) Basic Example of A/D Converter Start Request Delaying Function Operation

Figure 21.74 shows a basic example of A/D converter start request signal (TRG4AN) operation when the trough of MTU4.TCNT is specified for the buffer transfer timing and an A/D converter start request signal is output during MTU4.TCNT down-counting.

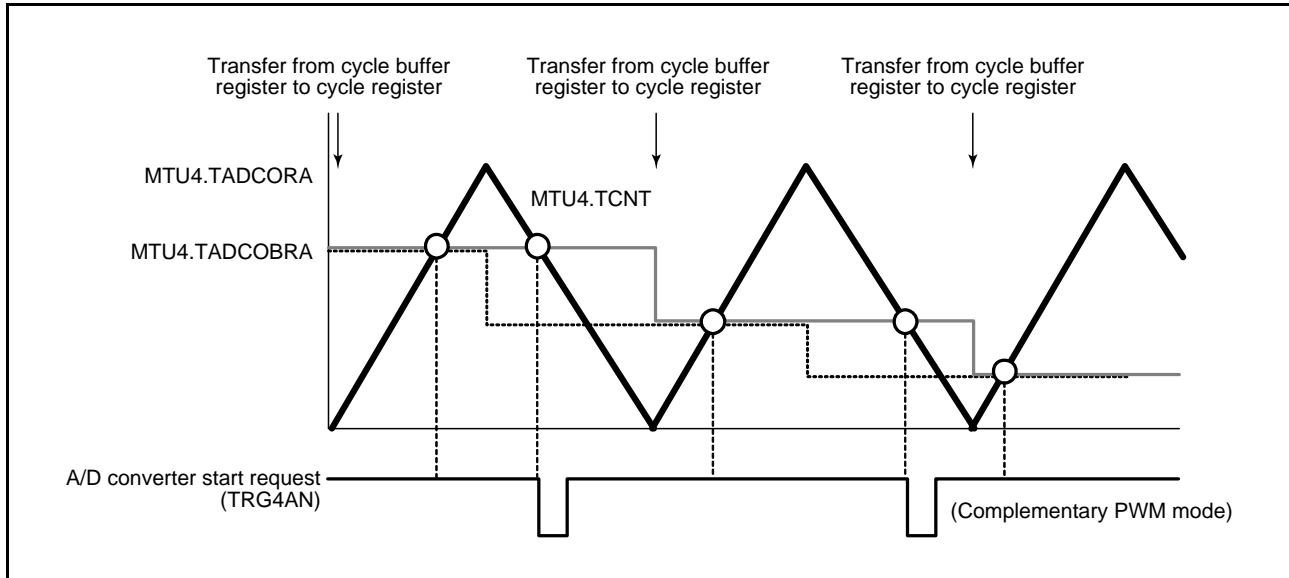


Figure 21.74 Basic Example of A/D Converter Start Request Signal (TRG4AN) Operation

(3) Buffer Transfer

The data in the timer A/D converter start request cycle set registers (MTU4.TADCORA and MTU4.TADCORB) is updated by writing data to the timer A/D converter start request cycle set buffer registers (MTU4.TADCOBRA and MTU4.TADCOBRB). Data is transferred from the buffer registers to the respective cycle set registers at the timing selected with the BF[1:0] bits in the timer A/D converter start request control register (MTU4.TADCR).

(4) A/D Converter Start Request Delaying Function Linked with Interrupt Skipping

A/D converter start requests (TRG4AN and TRG4BN) can be issued in coordination with interrupt skipping by making settings in the ITA3AE, ITA4VE, ITB3AE, and ITB4VE bits in the timer A/D converter start request control register (TADCR). Figure 21.75 shows an example of A/D converter start request signal (TRG4AN) operation when TRG4AN output is enabled during MTU4.TCNT up-counting and down-counting and A/D converter start requests are linked with interrupt skipping.

Figure 21.76 shows another example of A/D converter start request signal (TRG4AN) operation when TRG4AN output is enabled during MTU4.TCNT up-counting and A/D converter start requests are linked with interrupt skipping.

Note: • This function should be used in combination with interrupt skipping.

When interrupt skipping is disabled (the T3AEN and T4VEN bits in the timer interrupt skipping set register (TITCR) are cleared to 0 or the skipping count set bits (T3ACOR and T4VCOR) in TITCR are cleared to 0), make sure that A/D converter start requests are not linked with interrupt skipping (clear the ITA3AE, ITA4VE, ITB3AE, and ITB4VE bits in the timer A/D converter start request control register (TADCR) to 0).

Note that TRG4ABN (TRG4AN or TRG4BN) is output as the A/D converter start request signal in this case.

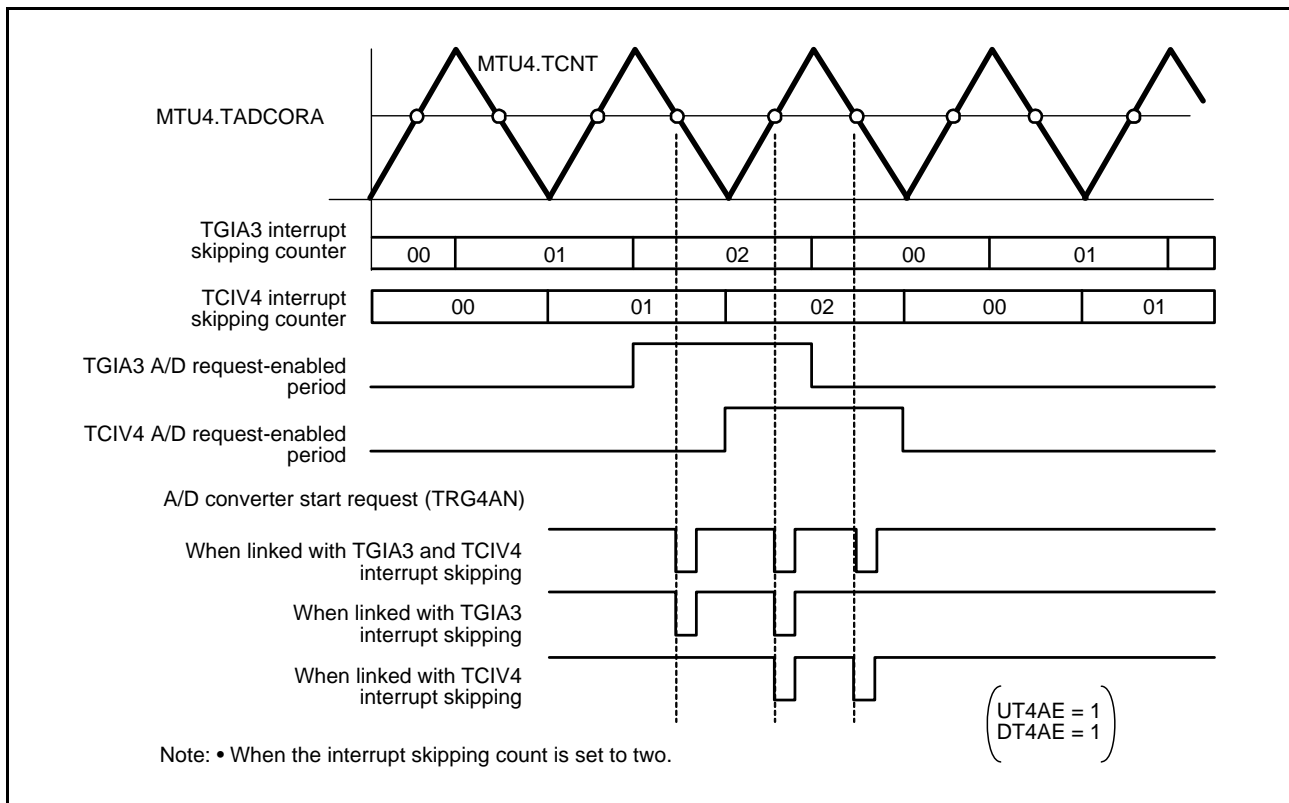


Figure 21.75 Example of A/D Converter Start Request Signal (TRG4AN) Operation Linked with Interrupt Skipping (when the output of TRG4AN in counting up and down by TCNT is enabled)

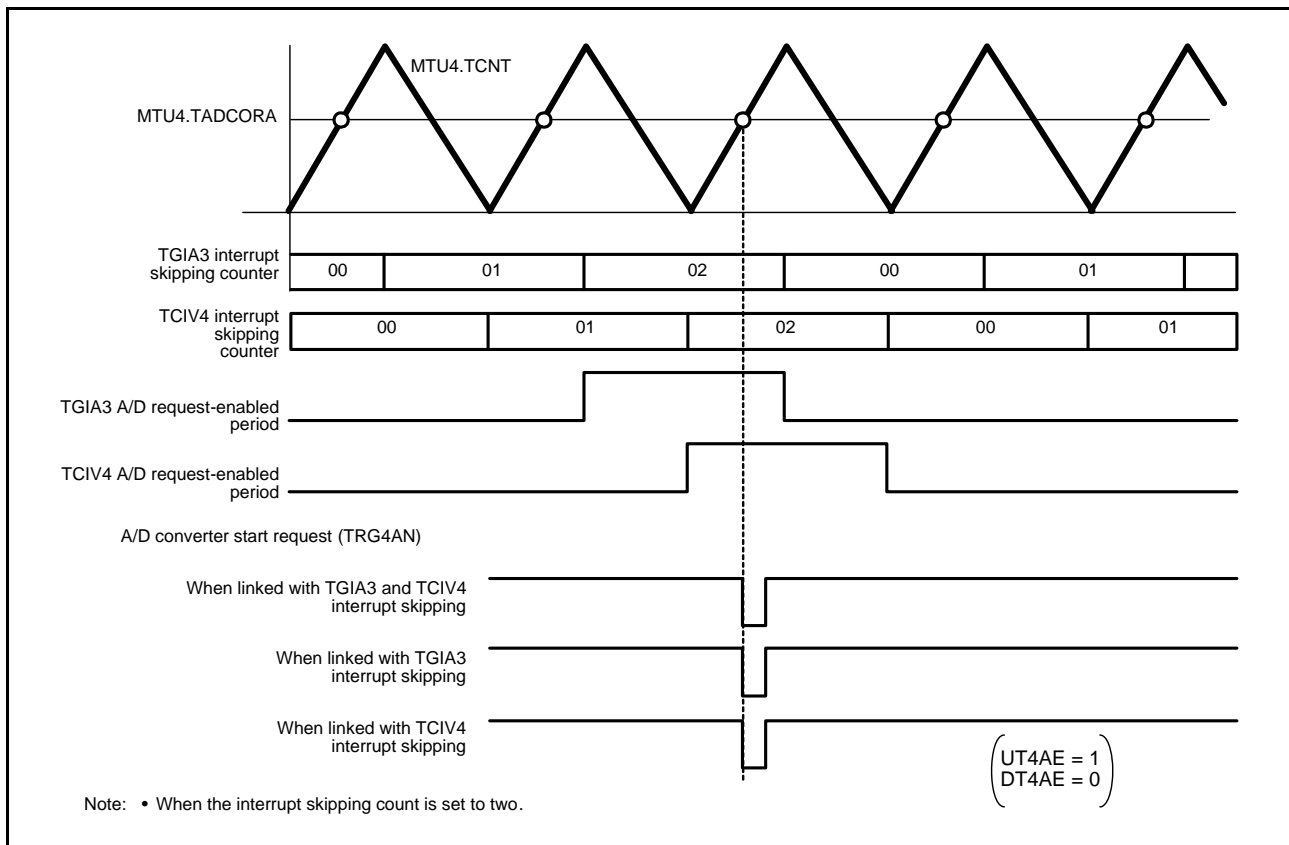


Figure 21.76 Example of A/D Converter Start Request Signal (TRG4AN) Operation Linked with Interrupt Skipping (when the output of TRG4AN in counting up by TCNT is enabled)

21.3.10 External Pulse Width Measurement

Up to three external pulse widths can be measured in MTU5.

(1) Example of External Pulse Width Measurement Setting Procedure

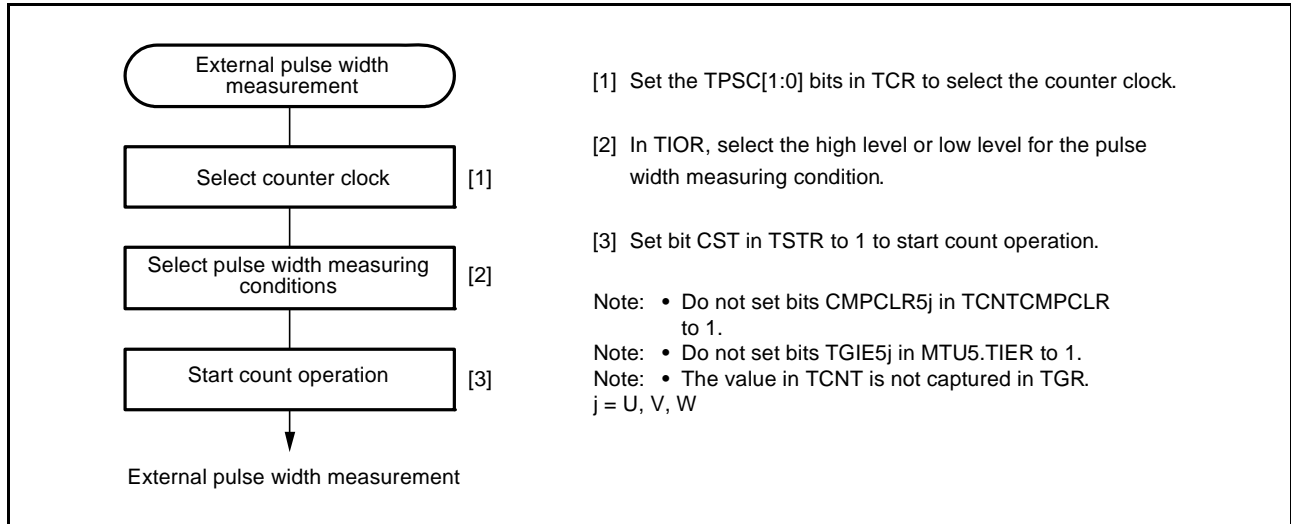


Figure 21.77 Example of External Pulse Width Measurement Setting Procedure

(2) Example of External Pulse Width Measurement

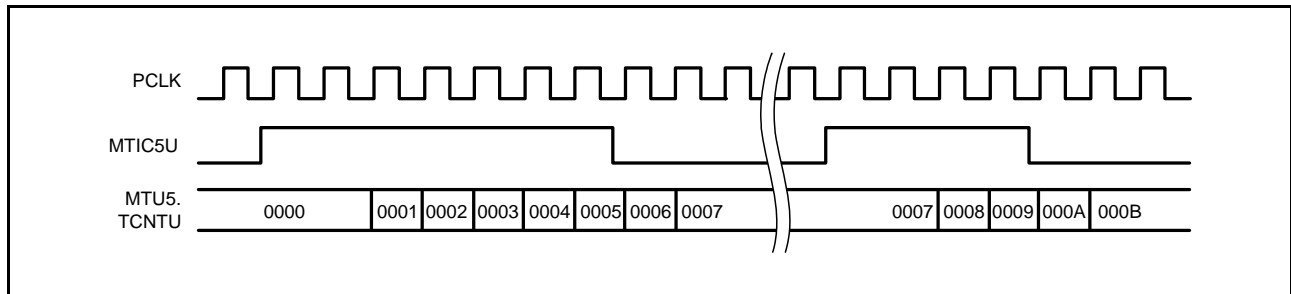


Figure 21.78 Example of External Pulse Width Measurement (Measuring High Pulse Width)

21.3.11 Dead Time Compensation

By measuring the delay of the output waveform and reflecting it to duty, the external pulse width measurement function can be used as the dead time compensation function to PWM output waveform while the complementary PWM mode is in operation.

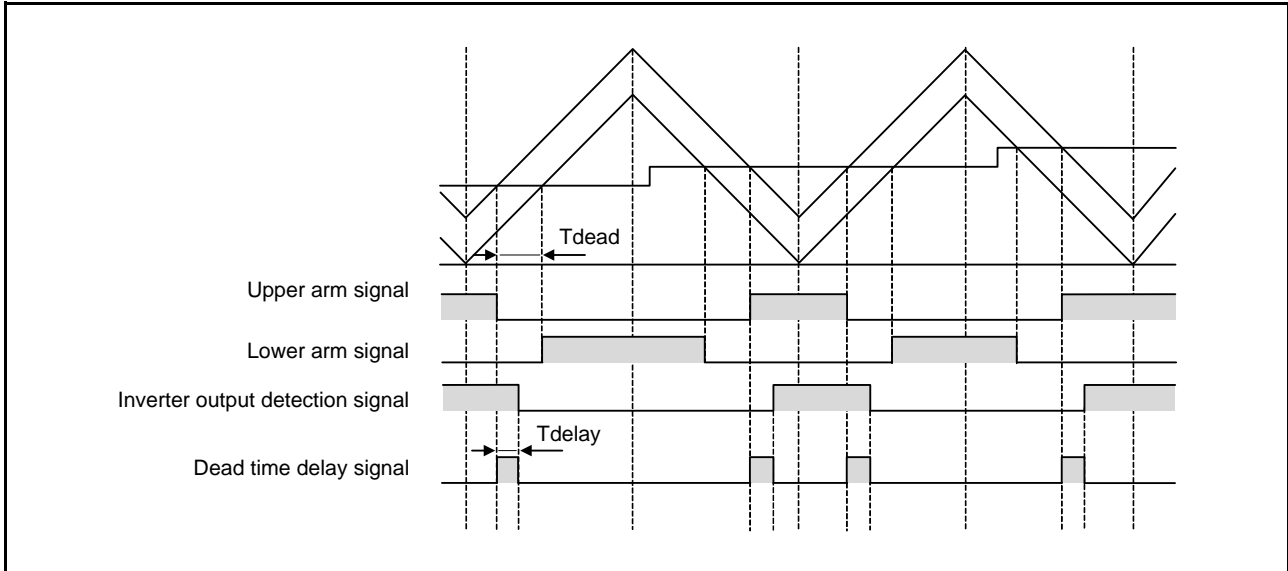


Figure 21.79 Delay in Dead Time in Complementary PWM Mode Operation

(1) Example of Dead Time Compensation Setting Procedure

Figure 21.80 shows an example of dead time compensation setting procedure by using three counters in MTU5.

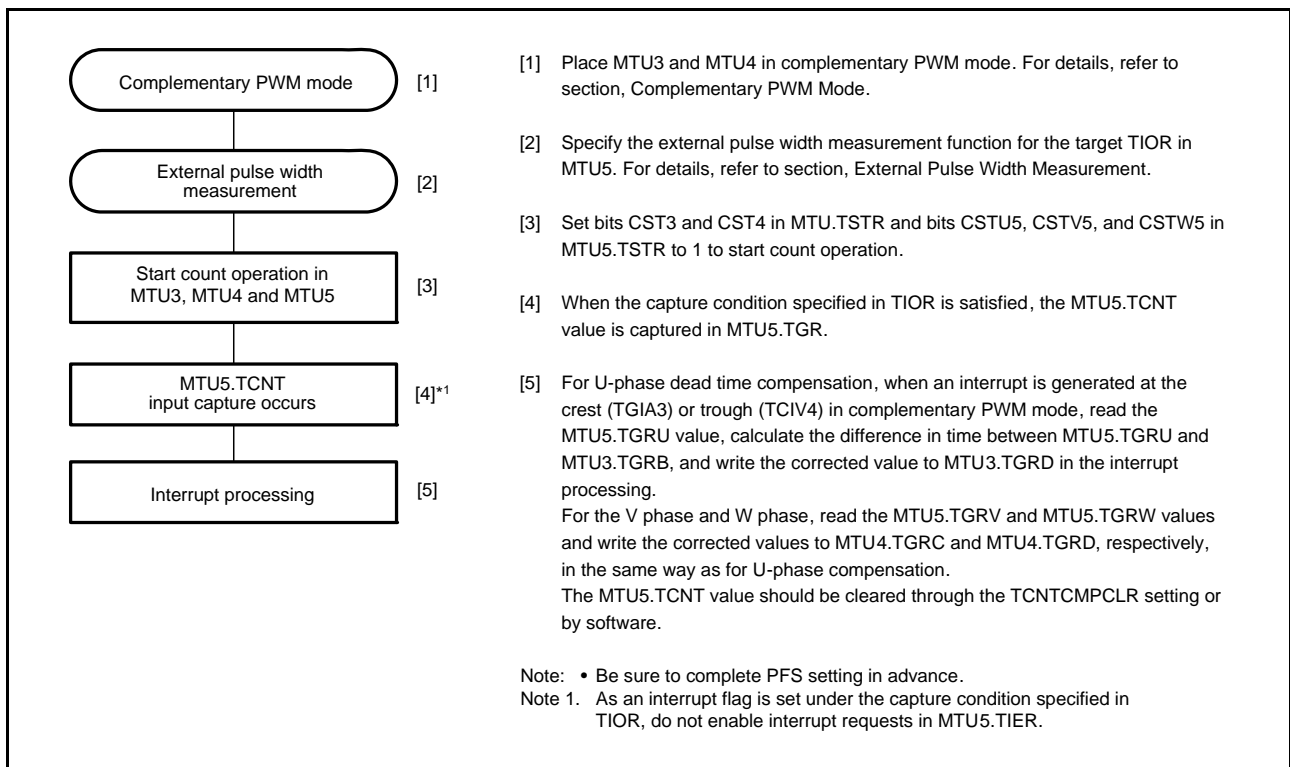


Figure 21.80 Example of Dead Time Compensation Setting Procedure

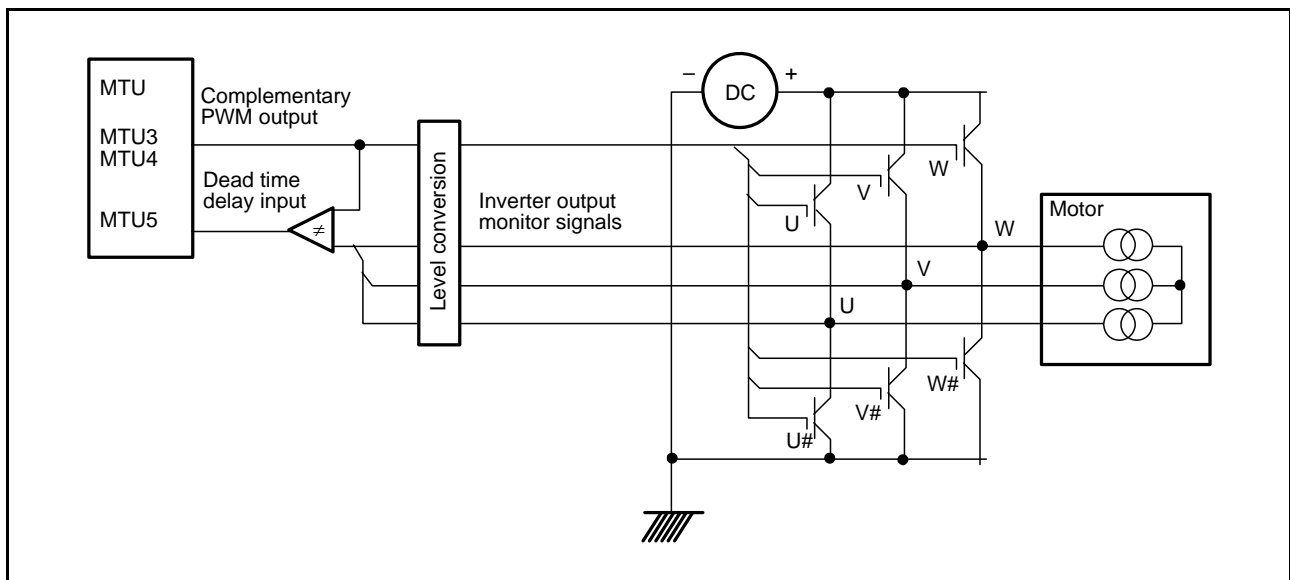


Figure 21.81 Example of Motor Control Circuit Configuration

(2) TCNT Capture at Crest and/or Trough in Complementary PWM Mode Operation

The MTU5.TCNT value is captured in MTU5.TGR at either the crest or trough or at both the crest and trough during complementary PWM mode operation. The timing for capturing in MTU5.TGR can be selected by TIOR.

Figure 21.82 shows operation for the capture of MTU5.TCNT on crests and in troughs in complementary PWM mode.

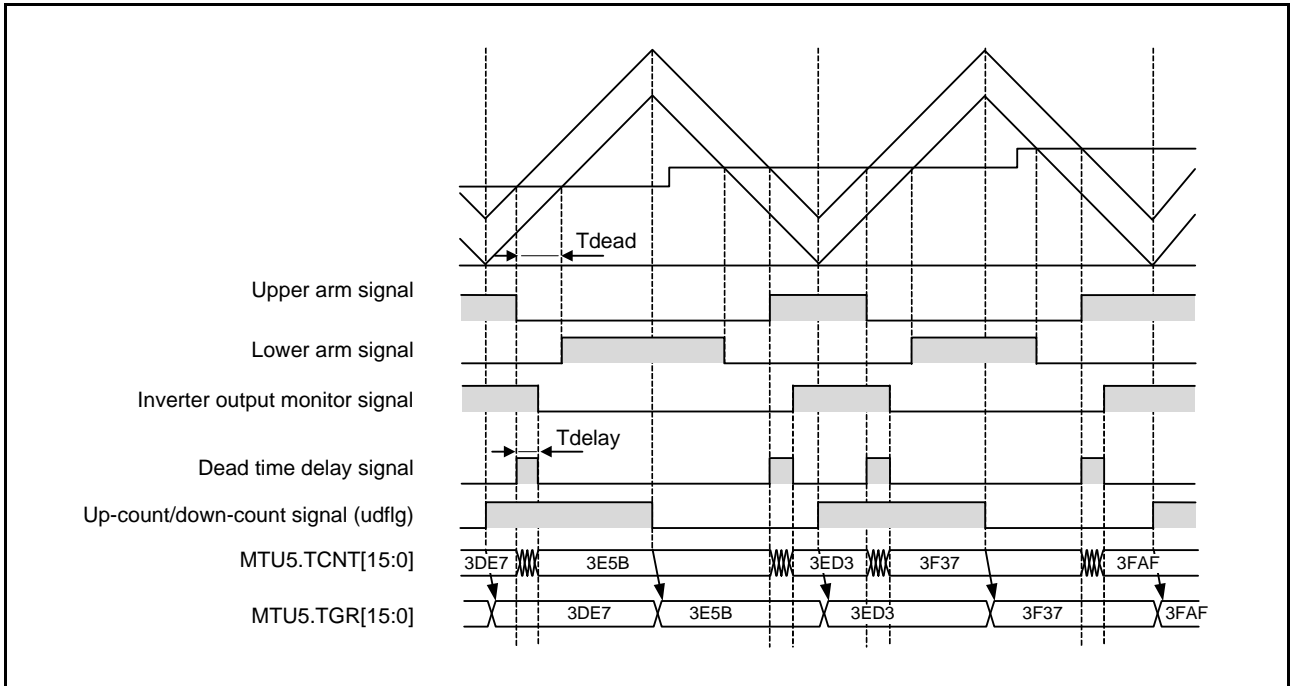


Figure 21.82 MTU5.TCNT Capture at Crest and/or Trough in Complementary PWM Mode Operation

21.3.12 Noise Filter

Each pin for use in input capture and external pulse input to the MTU is equipped with a noise filter. The noise filter samples input signals at the sampling clock and removes the pulses of which length is less than three sampling cycles. The noise filter functionality includes enabling and disabling of the noise filter for each pin and setting of the sampling clock for each channel. Figure 21.83 shows the timing of noise filtering.

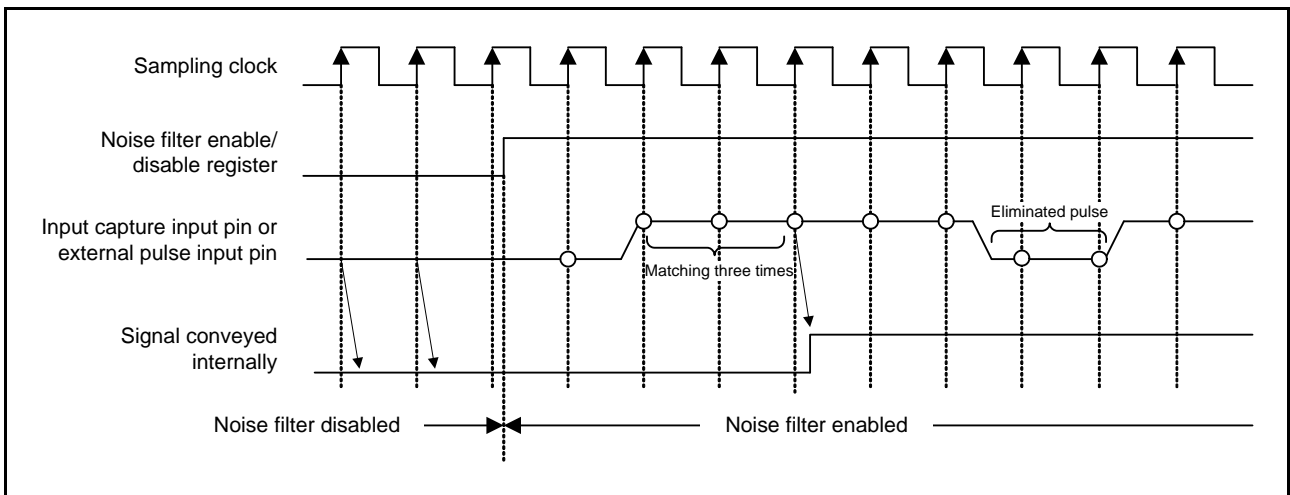


Figure 21.83 Timing of Noise Filtering

(1) Input Capture/Compare Match Interrupt

An interrupt is requested if the TGIE bit in TIER is set to 1 when a TGR input capture/compare match occurs on a channel. The MTU has 21 input capture/compare match interrupts (six for MTU0, four each for MTU3 and MTU4, two each for MTU1 and MTU2, and three for MTU5).

(2) Overflow Interrupt

An interrupt is requested if the TCIEV bit in TIER is set to 1 when a TCNT overflow occurs on a channel. The MTU has five overflow interrupts (one for each channel).

(3) Underflow Interrupt

An interrupt is requested if the TCIEU bit in TIER is set to 1 when a TCNT underflow occurs on a channel. The MTU has two underflow interrupts (one each for MTU1 and MTU2).

21.4.2 DTC and DMAC Activation

(1) DTC Activation

The DTC can be activated by the TGR input capture/compare match interrupt in each channel or the overflow interrupt in MTU4. For details, see section 17, Data Transfer Controller (DTCa).

The MTU provides a total of 20 input capture/compare match interrupts and overflow interrupts that can be used as DTC activation sources: four each for MTU0 and MTU3, two each for MTU1 and MTU2, five for MTU4, and three for MTU5.

(2) DMAC Activation

The DMAC can be activated by the TGRA input capture/compare match interrupt in each channel. For details, see section 16, DMA Controller (DMACA).

The MTU provides a total of five TGRA input capture/compare match interrupts that can be used as DMAC activation sources: one each for MTU0 to MTU4.

When the DMAC is activated by the MTU, the activation source is cleared when the DMAC requests the internal bus mastership. Therefore, the request for DMAC transfer may be kept pending for a certain period even after the activation source is cleared depending on the internal bus state.

21.4.3 A/D Converter Activation

The A/D converter can be activated by one of the following five methods in the MTU. Table 21.58 lists the relationship between interrupt sources and A/D converter start request signals.

(1) A/D Converter Activation by TGRA Input Capture/Compare Match or at MTU4.TCNT Trough in Complementary PWM Mode

The A/D converter can be activated by the occurrence of a TGRA input capture/compare match in each channel. In addition, if complementary PWM mode operation is performed while the TTGE2 bit in MTU4.TIER is set to 1, the A/D converter can be activated at the trough of MTU4.TCNT count (MTU4.TCNT = 0000h).

A/D converter start request signal TRGAN is issued to the A/D converter under either of the following conditions.

- When a TGRA input capture/compare match occurs on a channel while the TTGE bit in TIER is set to 1
- When the MTU4.TCNT count reaches the trough (MTU4.TCNT = 0000h) during complementary PWM mode operation while the TTGE2 bit in MTU4.TIER is set to 1

When either condition is satisfied, if A/D converter start signal TRGAN from the MTU is selected as the trigger in the A/D converter, A/D conversion will start.

(2) A/D Converter Activation by Compare Match between MTU0.TCNT and MTU0.TGRE

A compare match between MTU0.TCNT and MTU0.TGRE activates the A/D converter.

A/D converter start request signal TRG0EN is issued when a compare match occurs between MTU0.TCNT and MTU0.TGRE. If A/D converter start signal TRG0EN from the MTU is selected as the trigger in the A/D converter, A/D conversion will start.

(3) A/D Converter Activation by Compare Match between MTU0.TCNT and MTU0.TGRF

A compare match between MTU0.TCNT and MTU0.TGRF activates the A/D converter.

A/D converter start request signal TRG0FN is issued when a compare match occurs between MTU0.TCNT and MTU0.TGRF. If A/D converter start signal TRG0FN from the MTU is selected as the trigger in the A/D converter, A/D conversion will start.

(4) A/D Converter Activation by Input Capture or Compare Match with MTU0.TGRA or MTU0.TGRB

The A/D converter can be activated when an input capture or compare match occurs between MTU0.TCNT and MTU0.TGRA or MTU0.TGRB.

When an input capture or compare match occurs between MTU0.TCNT and MTU0.TGRA or MTU0.TGRB, A/D converter start request signal TRG0AN or TRG0BN is issued. If A/D converter start signal TRG0AN or TRG0BN from the MTU is selected as the trigger in the A/D converter, A/D conversion will start.

(5) A/D Converter Activation by A/D Converter Start Request Delaying Function

The A/D converter can be activated by generating A/D converter start request signal TRG4AN or TRG4BN when the MTU4.TCNT count matches the TADCORA or TADCORB value if the UT4AE, DT4AE, UT4BE, or DT4BE bit in the A/D converter start request control register (TADCR) is set to 1. For details, refer to section 21.3.9, A/D Converter Start Request Delaying Function.

A/D conversion will start if A/D converter start signal TRG4ABN from the MTU is selected as the trigger in the A/D converter when TRG4AN or TRG4BN is generated.

Table 21.58 Interrupt Sources and A/D Converter Start Request Signals

Target Registers	A/D Start Request Source	A/D Converter Start Request Signal
MTU0.TGRA and MTU0.TCNT	Input capture/compare match	TRGAN
MTU1.TGRA and MTU1.TCNT		
MTU2.TGRA and MTU2.TCNT		
MTU3.TGRA and MTU3.TCNT		
MTU4.TGRA and MTU4.TCNT		
MTU4.TCNT	MTU4.TCNT trough in complementary PWM mode	
MTU0.TGRA and MTU0.TCNT	Input capture/compare match	TRG0AN
MTU0.TGRB and MTU0.TCNT		TRG0BN
MTU0.TGRE and MTU0.TCNT	Compare match	TRG0EN
MTU0.TGRF and MTU0.TCNT		TRG0FN
TADCORA and MTU4.TCNT or TADCORB and MTU4.TCNT		TRG4ABN

21.5 Operation Timing

21.5.1 Input/Output Timing

(1) TCNT Count Timing

Figure 21.84 and Figure 21.85 show the TCNT count timing for TGI interrupt in internal clock operation, Figure 21.86 shows the TCNT count timing in external clock operation (normal mode), and Figure 21.87 shows the TCNT count timing in external clock operation (phase counting mode).

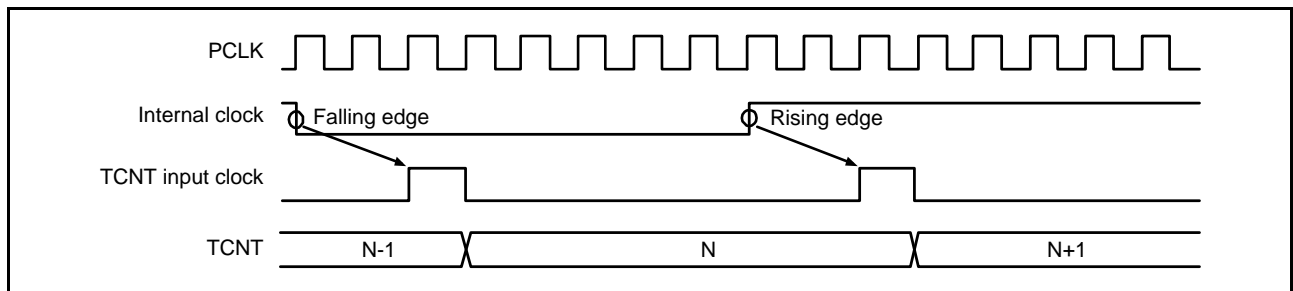


Figure 21.84 Count Timing in Internal Clock Operation (MTU0 to MTU4)

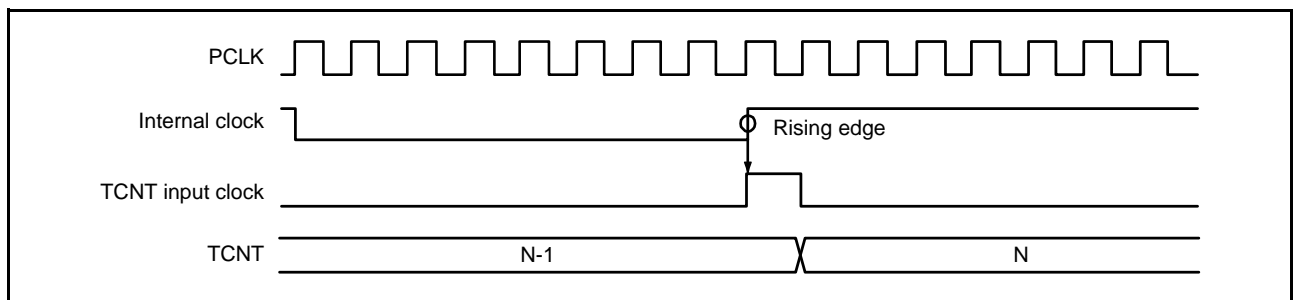


Figure 21.85 Count Timing in Internal Clock Operation (MTU5)

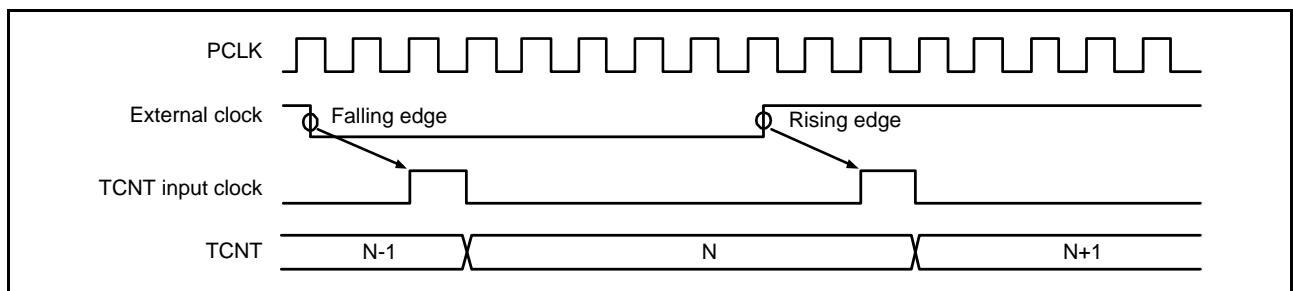


Figure 21.86 Count Timing in External Clock Operation (MTU0 to MTU 4)

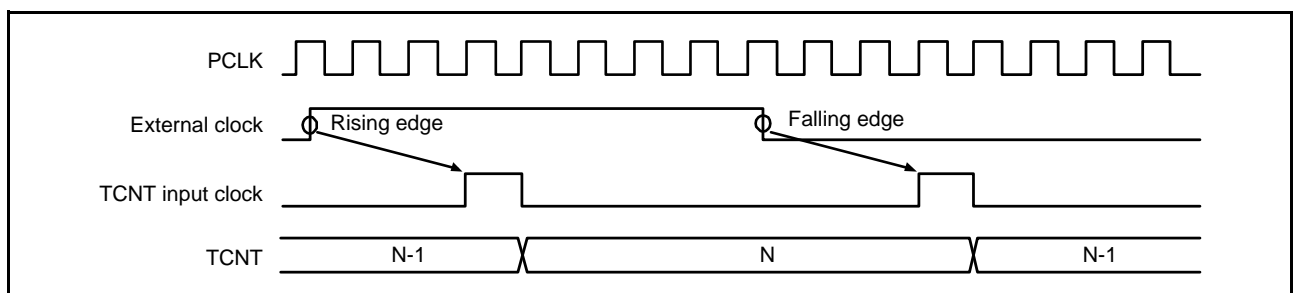


Figure 21.87 Count Timing in External Clock Operation (Phase Counting Mode)

(2) Output Compare Output Timing

A compare match signal is generated in the final state in which TCNT and TGR match (the point at which the count value matched is updated by TCNT). When a compare match signal is generated, the value set in TIOR is output to the output compare output pin (MTIOC pin). After a match between TCNT and TGR, the compare match signal is not generated until the TCNT input clock is generated.

Figure 21.88 shows the output compare output timing (normal mode or PWM mode) and Figure 21.89 shows the output compare output timing (complementary PWM mode or reset-synchronized PWM mode).

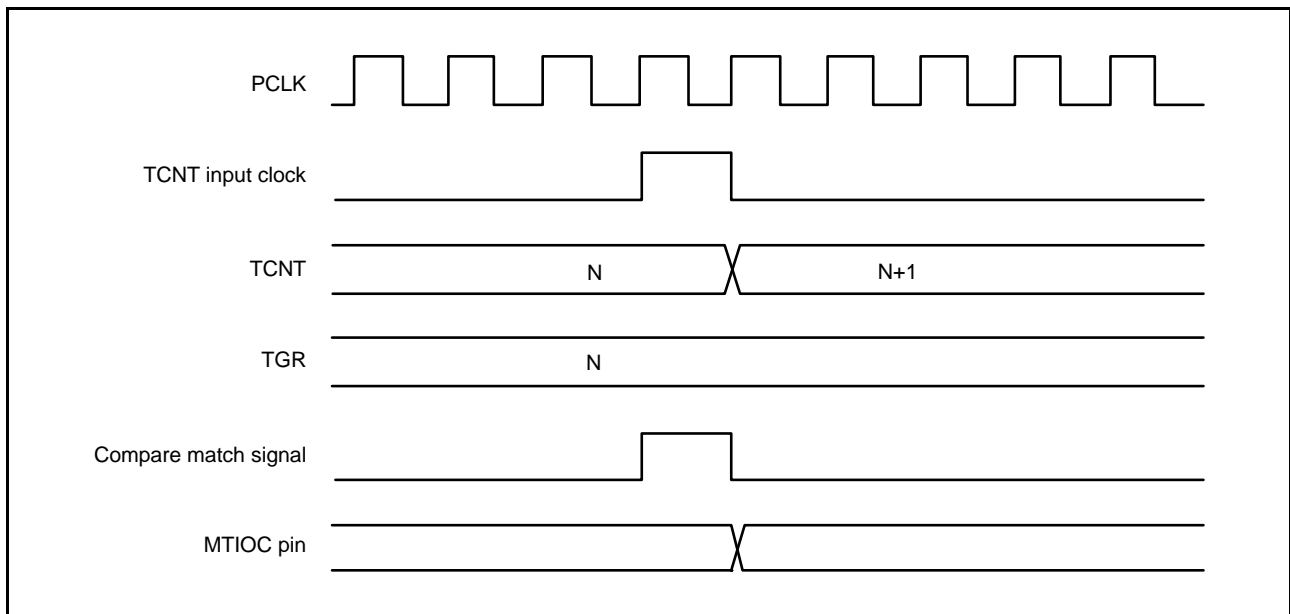


Figure 21.88 Output Compare Output Timing (Normal Mode or PWM Mode)

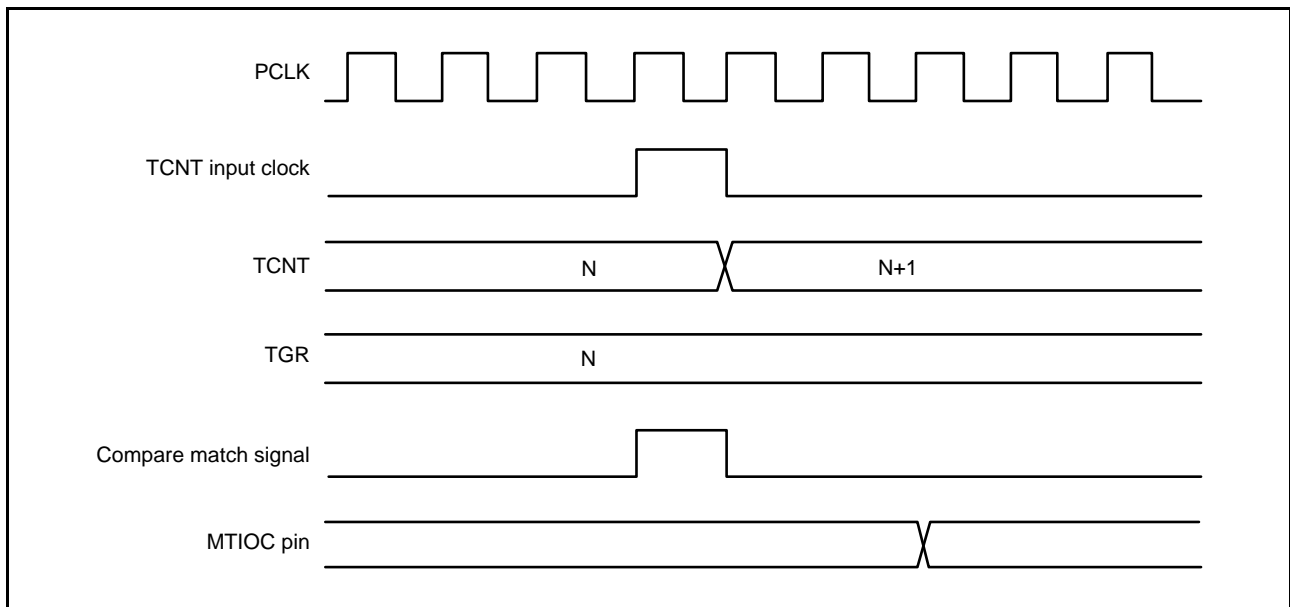


Figure 21.89 Output Compare Output Timing (Complementary PWM Mode or Reset-Synchronized PWM Mode)

(3) Input Capture Signal Timing

Figure 21.90 shows the input capture signal timing.

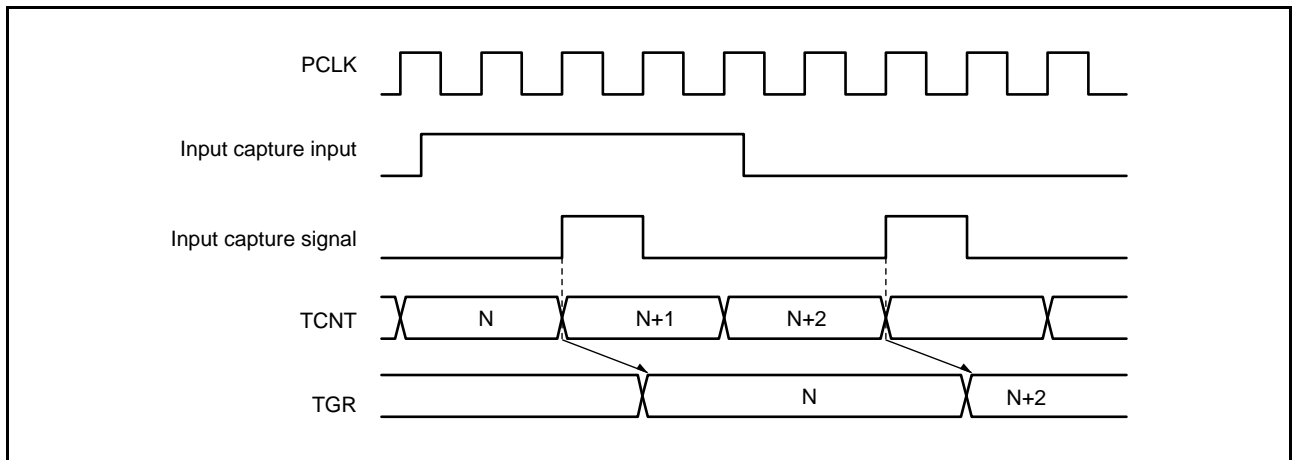


Figure 21.90 Input Capture Input Signal Timing

(4) Timing for Counter Clearing by Compare Match/Input Capture

Figure 21.91 and Figure 21.92 show the timing when counter clearing on compare match is specified, and Figure 21.93 shows the timing when counter clearing on input capture is specified.

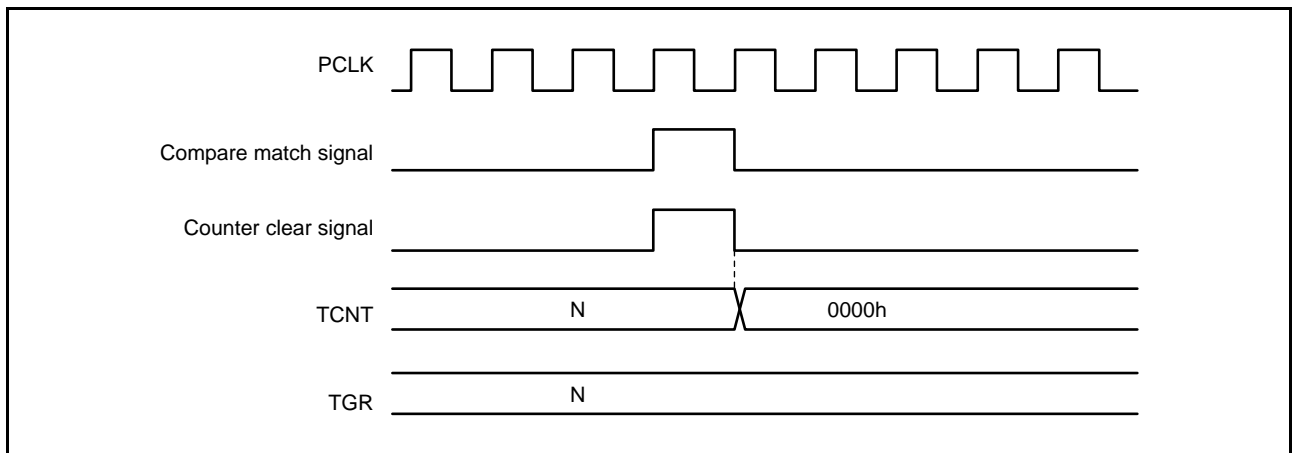


Figure 21.91 Counter Clear Timing (Compare Match) (MTU0 to MTU4)

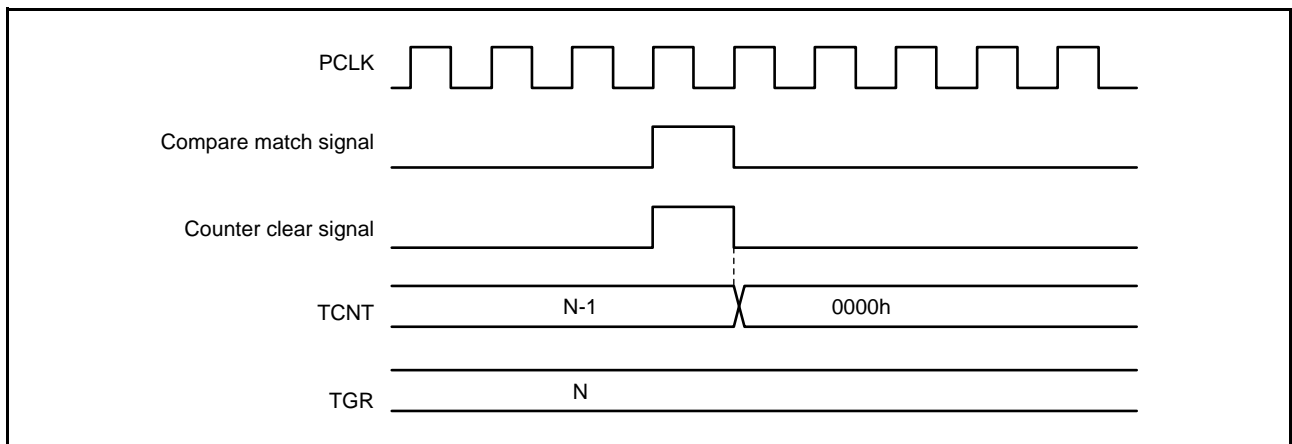


Figure 21.92 Counter Clear Timing (Compare Match) (MTU5)

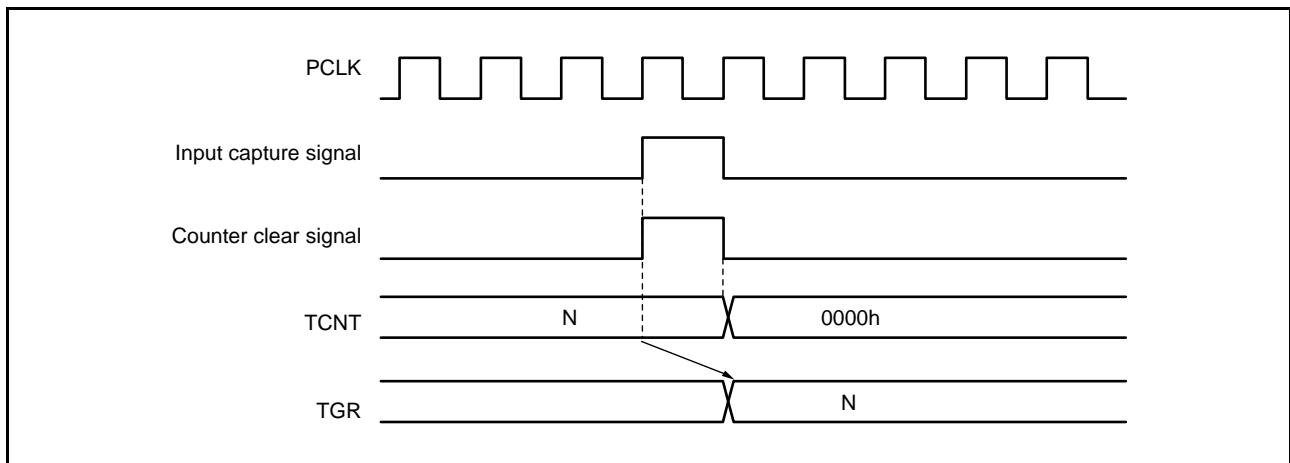


Figure 21.93 Counter Clear Timing (Input Capture) (MTU0 to MTU5)

(5) Buffer Operation Timing

Figure 21.94 to Figure 21.96 show the timing in buffer operation.

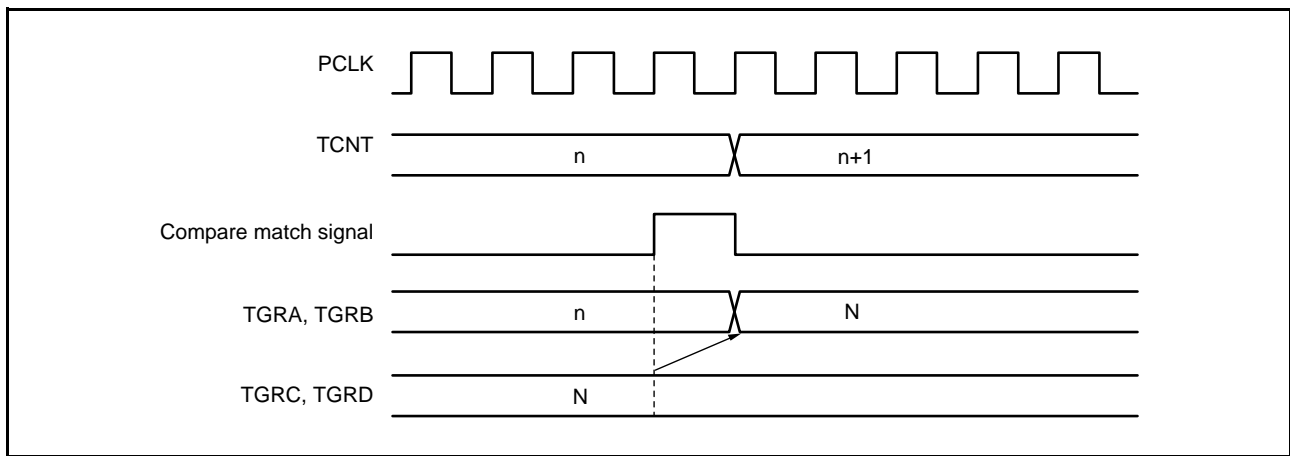


Figure 21.94 Buffer Operation Timing (Compare Match)

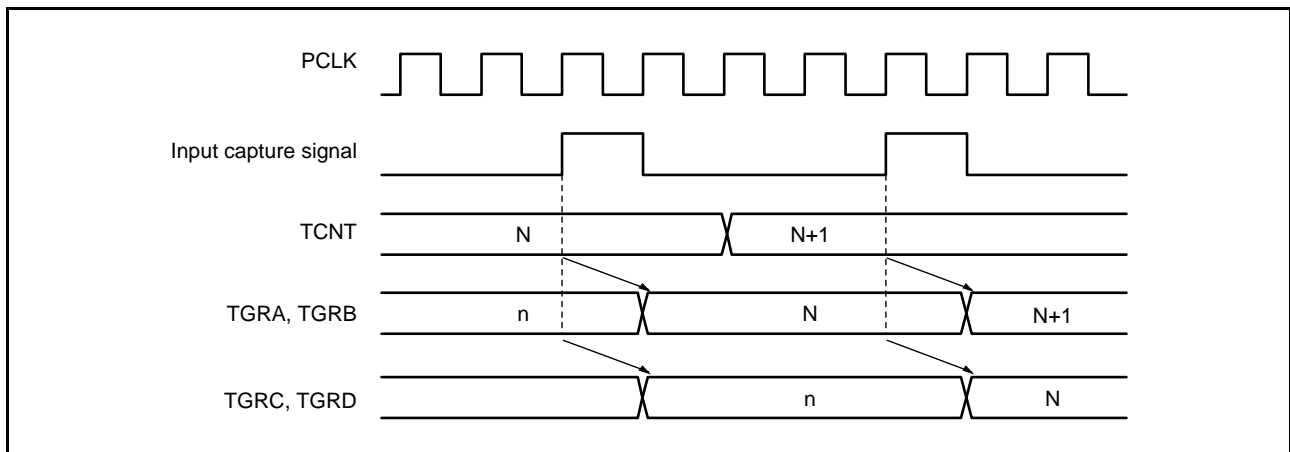


Figure 21.95 Buffer Operation Timing (Input Capture)

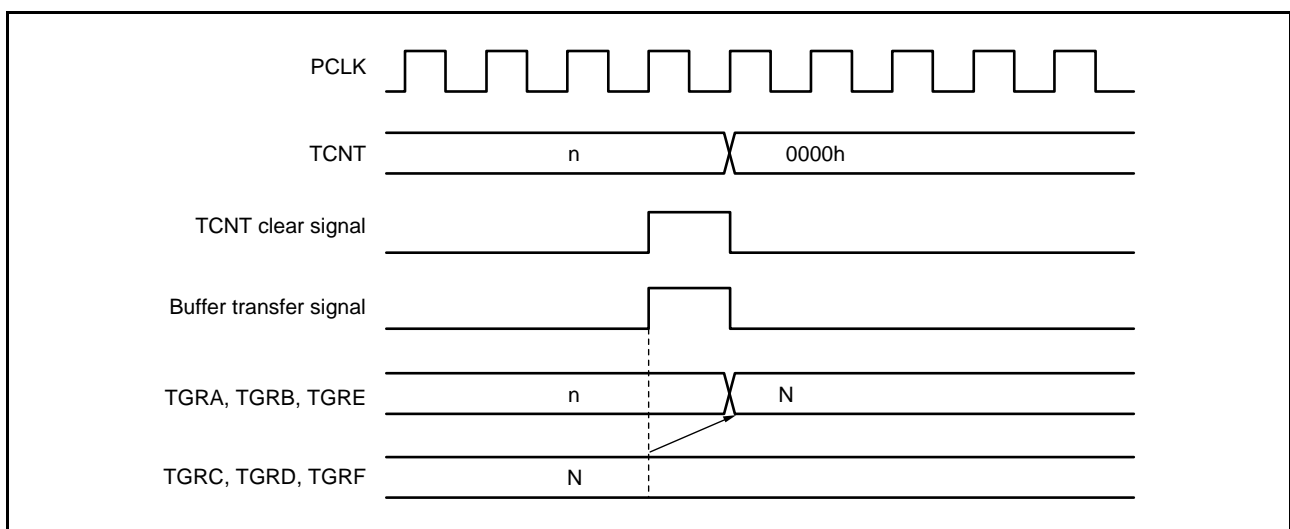


Figure 21.96 Buffer Operation Timing (when TCNT Cleared)

(6) Buffer Transfer Timing (Complementary PWM Mode)

Figure 21.97 to Figure 21.99 show the buffer transfer timing in complementary PWM mode.

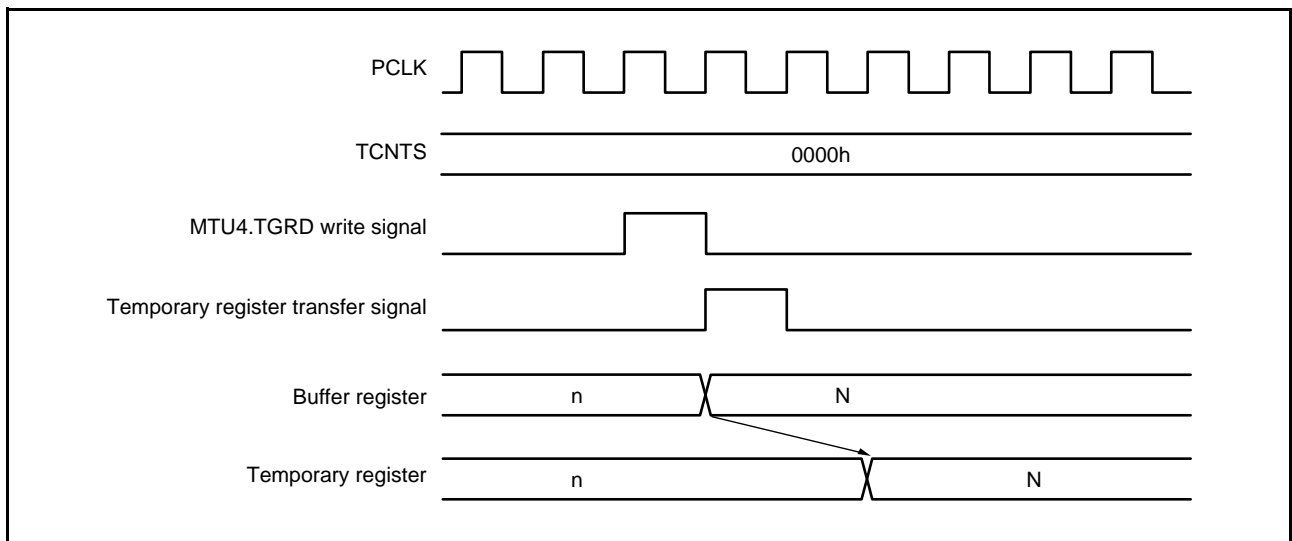


Figure 21.97 Transfer Timing from Buffer Register to Temporary Register (TCNTS Stop)

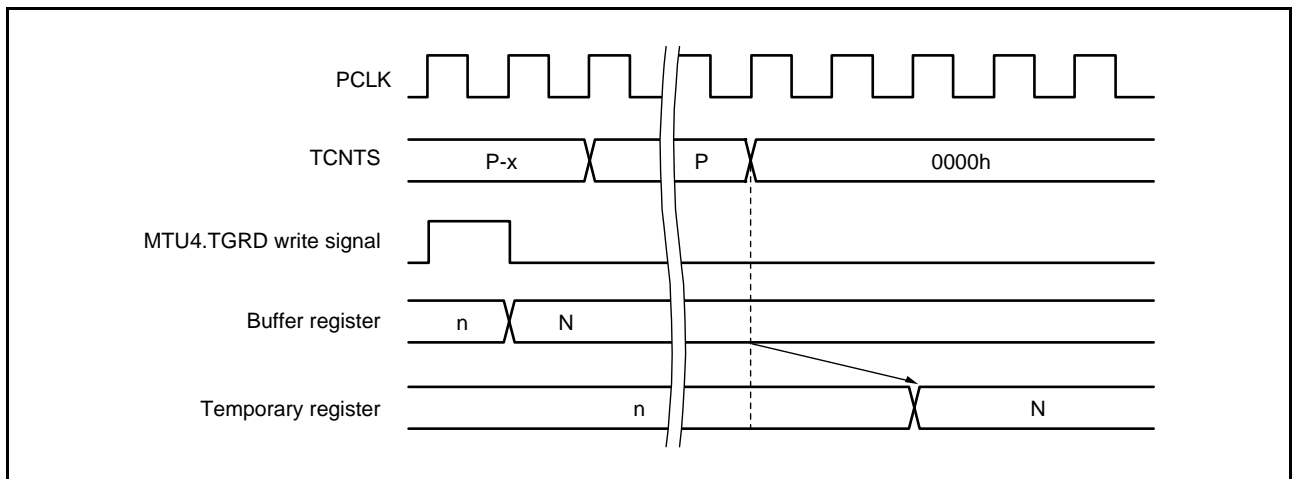


Figure 21.98 Transfer Timing from Buffer Register to Temporary Register (TCNTS Operating)

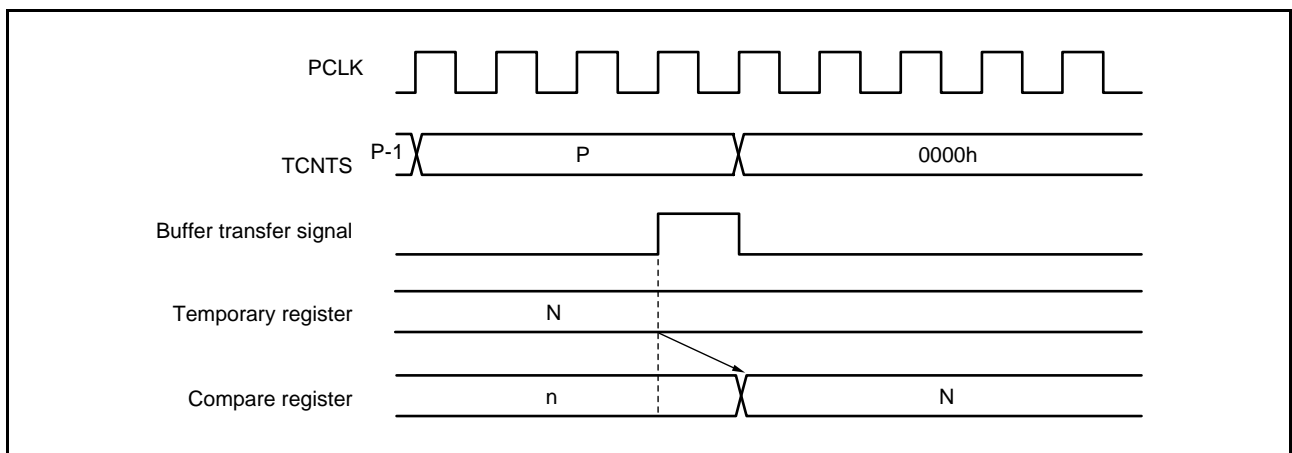


Figure 21.99 Transfer Timing from Temporary Register to Compare Register

21.5.2 Interrupt Signal Timing

(1) Timing for TGI Interrupt by Compare Match

Figure 21.100 and Figure 21.101 show the TGI interrupt request signal timing on compare match.

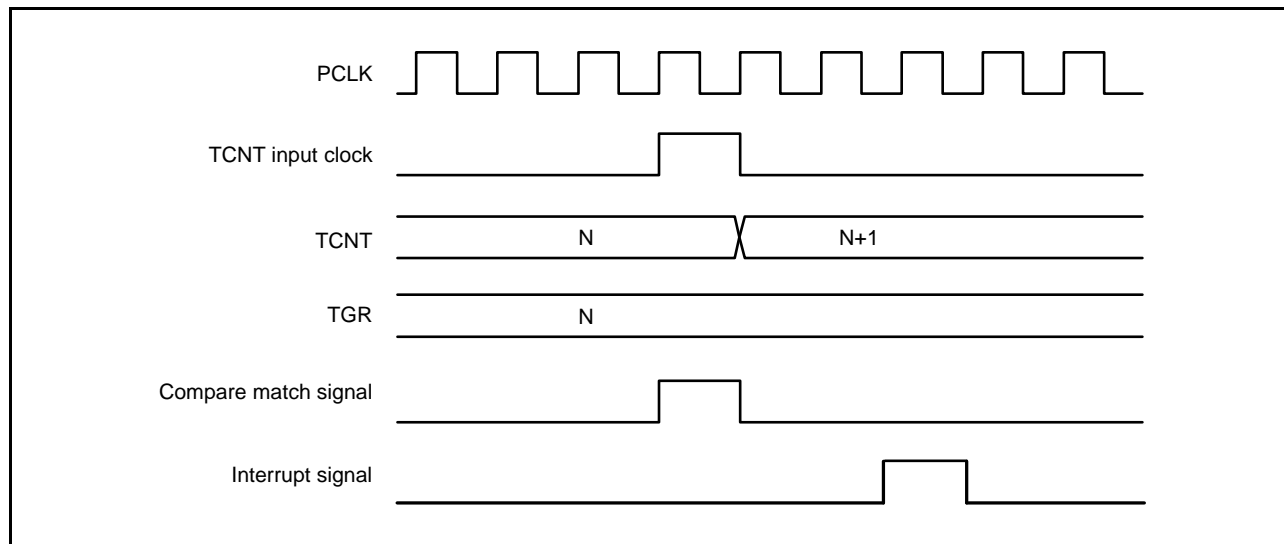


Figure 21.100 TGI Interrupt Timing (Compare Match) (MTU0 to MTU4)

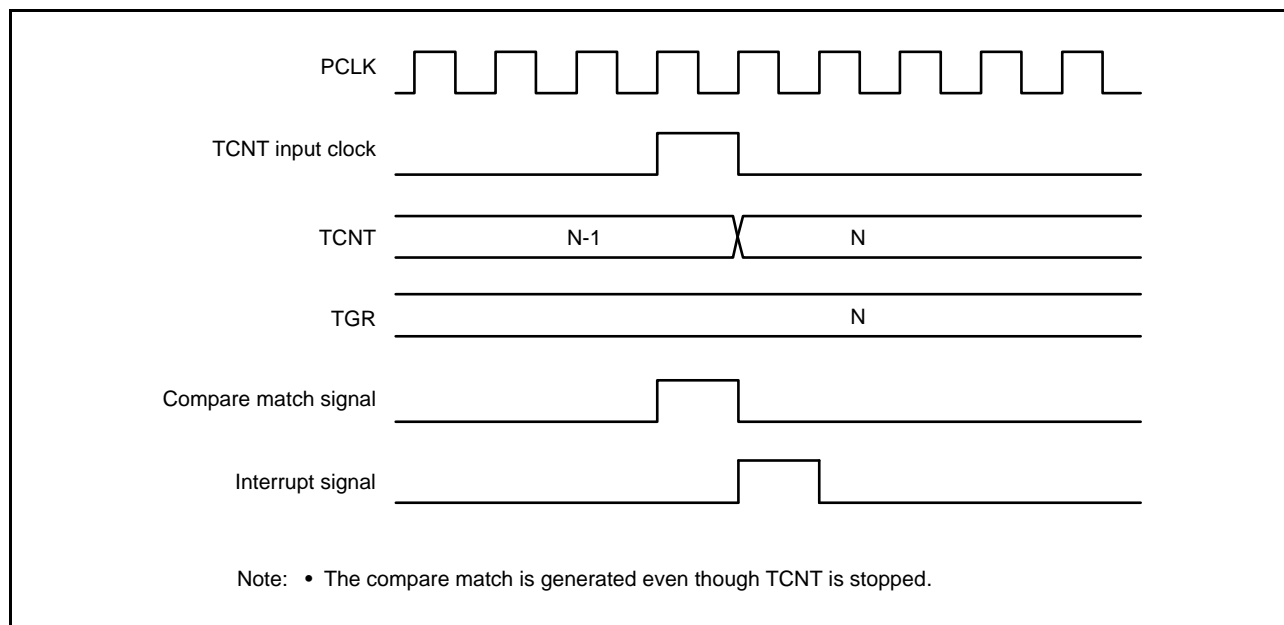


Figure 21.101 TGI Interrupt Timing (Compare Match) (MTU5)

(2) Timing for TGI Interrupt by Input Capture

Figure 21.102 and Figure 21.103 show TGI interrupt request signal timing on input capture.

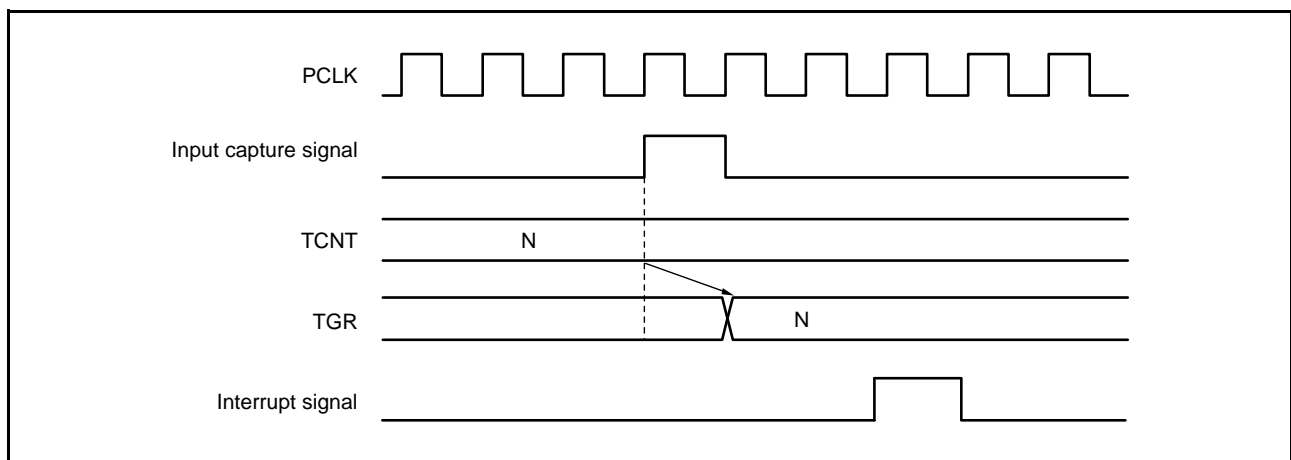


Figure 21.102 TGI Interrupt Timing (Input Capture) (MTU0 to MTU4)

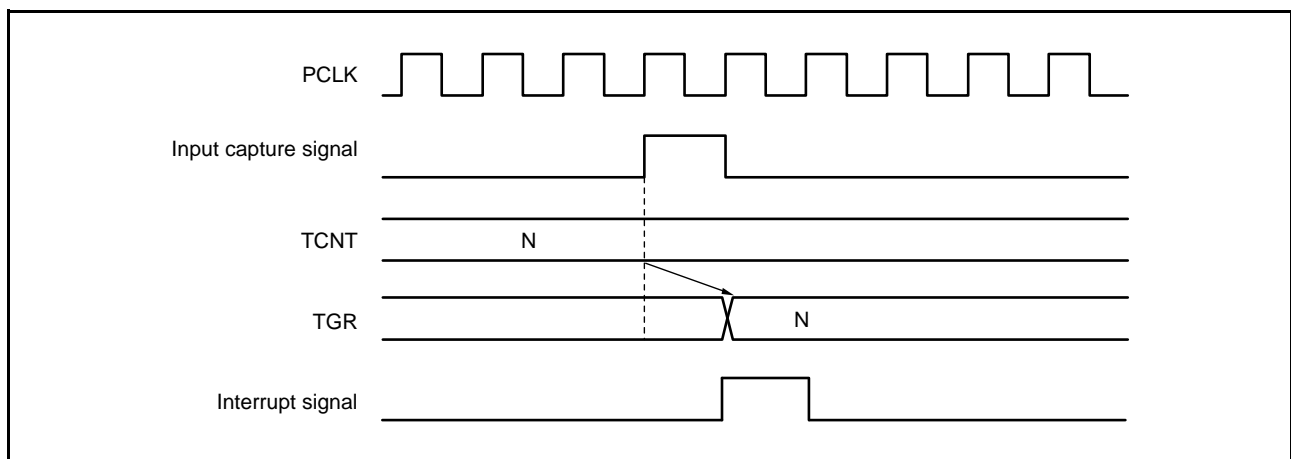


Figure 21.103 TGI Interrupt Timing (Input Capture) (MTU5)

(3) TCIV and TCIU Interrupt Timing

Figure 21.104 shows the TCIV interrupt request signal timing on overflow.

Figure 21.105 shows the TCIU interrupt request signal timing on underflow.

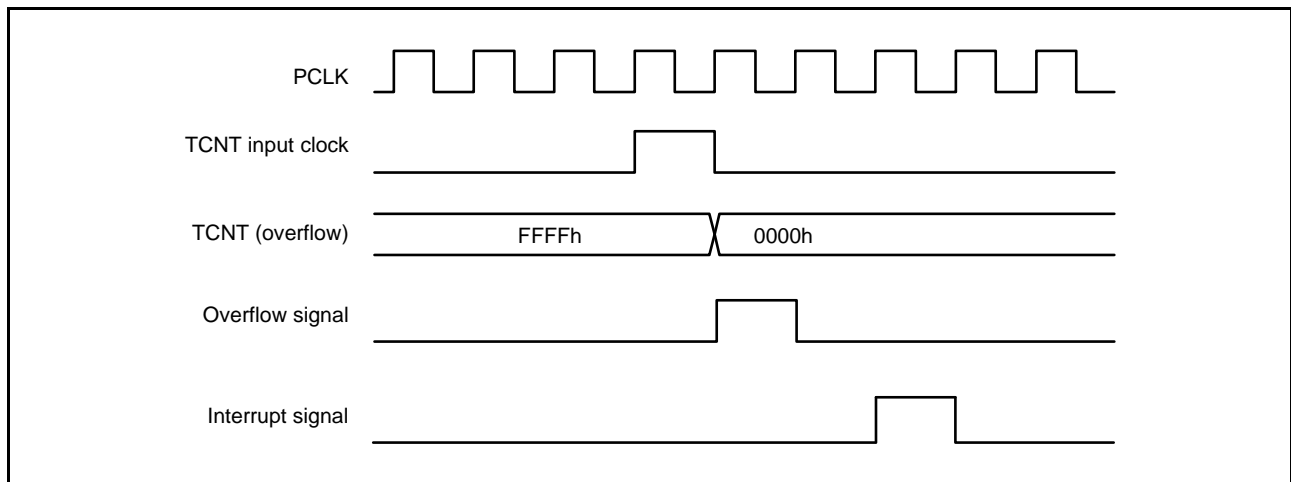


Figure 21.104 TCIV Interrupt Timing

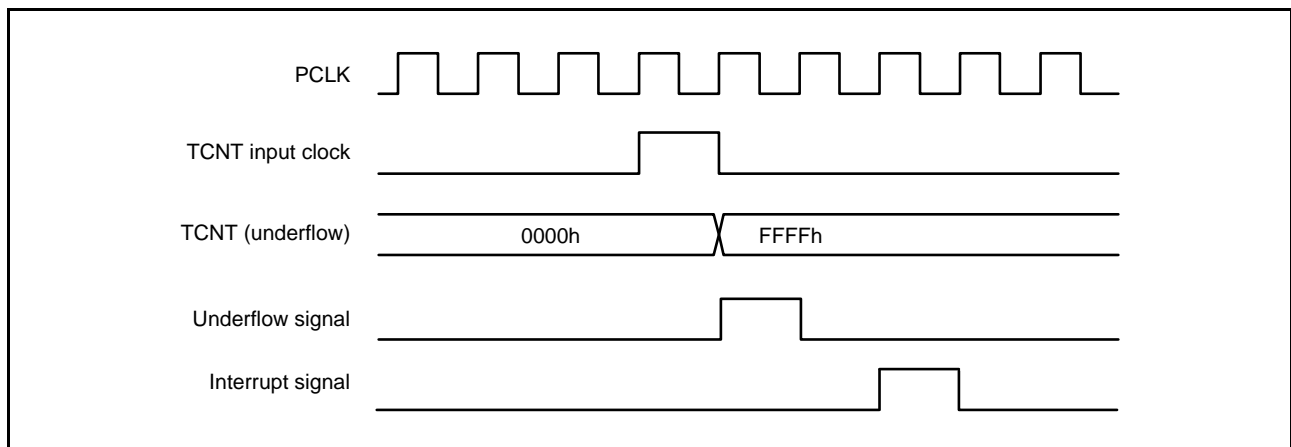


Figure 21.105 TCIU Interrupt Timing

21.6 Usage Notes

21.6.1 Module Clock Stop Mode Setting

MTU operation can be disabled or enabled using the module stop control register. MTU operation is stopped with the initial setting. Register access is enabled by clearing the module clock stop mode. For details, refer to section 11, Low Power Consumption.

21.6.2 Input Clock Restrictions

The input clock pulse width must be at least 1.5 PCLK for single-edge detection, and at least 2.5 PCLK for both-edge detection. The MTU will not operate properly at narrower pulse widths.

In phase counting mode, the phase difference and overlap between the two input clocks must be at least 1.5 PCLK, and the pulse width must be at least 2.5 PCLK. Figure 21.106 shows the input clock conditions in phase counting mode.

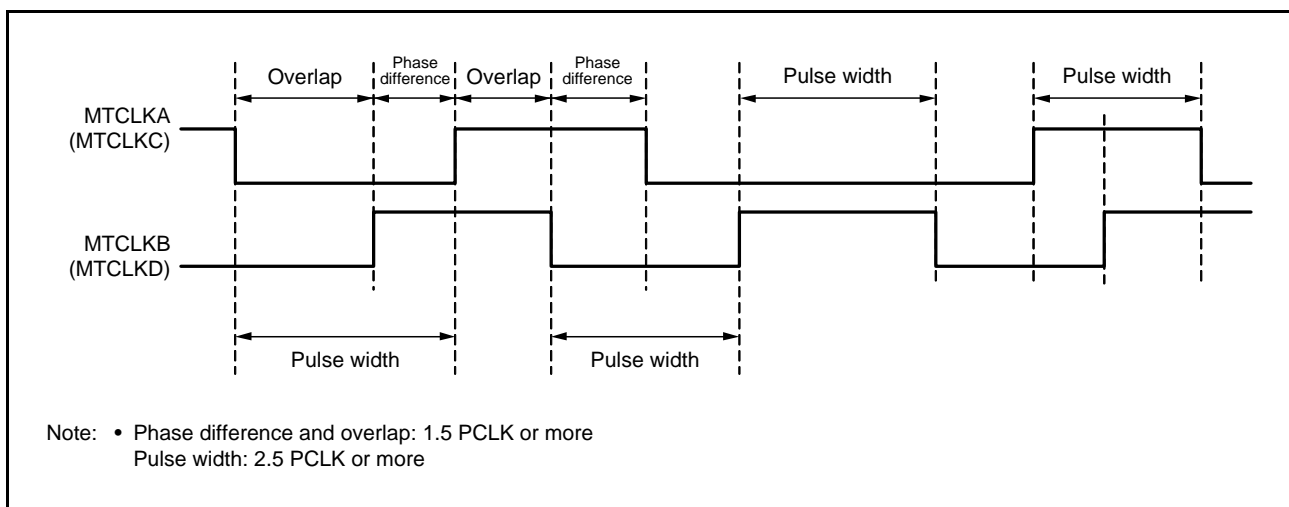


Figure 21.106 Phase Difference, Overlap, and Pulse Width in Phase Counting Mode

21.6.3 Note on Cycle Setting

When counter clearing on compare match is set, TCNT is cleared in the final state in which it matches the TGR value (the point at which TCNT updates the matched count value). Consequently, the actual counter frequency is given by the following formula:

- MTU0 to MTU4

$$f = \frac{\text{CNTCLK}}{(N + 1)}$$

- MTU5

$$f = \frac{\text{CNTCLK}}{N}$$

f: Counter frequency

CNTCLK: The counter-clock frequency set by TCR.TPSC[2:0] bits

N: TGR setting

21.6.4 Contention between TCNT Write and Clear Operations

If the counter clear signal is generated in a TCNT write cycle, TCNT clearing takes precedence and TCNT write operation is not performed.

Figure 21.107 shows the timing in this case.

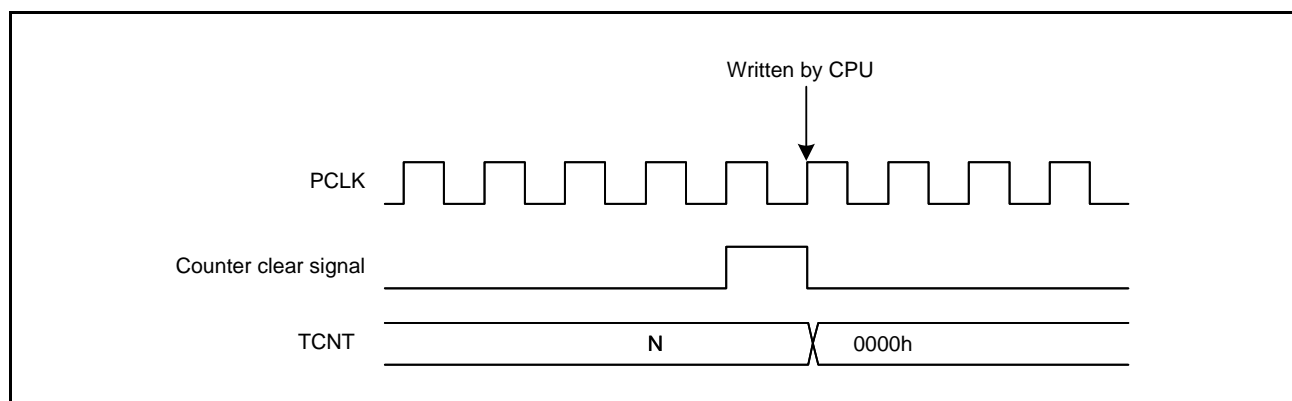


Figure 21.107 Contention between TCNT Write and Counter Clear Operations

21.6.5 Contention between TCNT Write and Increment Operations

If incrementing occurs in a TCNT write cycle, TCNT write operation takes precedence and TCNT is not incremented. Figure 21.108 shows the timing in this case.

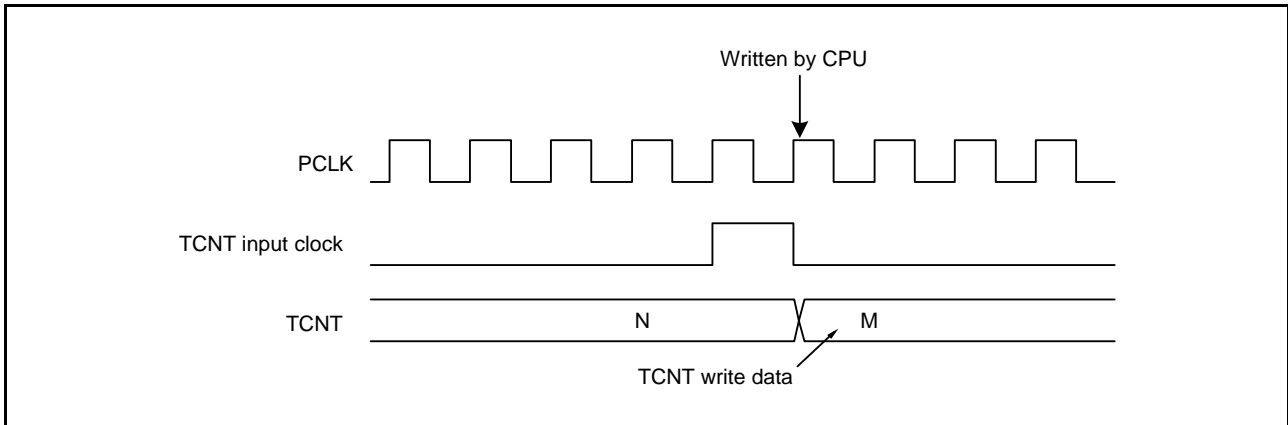


Figure 21.108 Contention between TCNT Write and Increment Operations

21.6.6 Contention between TGR Write Operation and Compare Match

If a compare match occurs in a TGR write cycle, TGR write operation is executed and the compare match signal is also generated. Figure 21.109 shows the timing in this case.

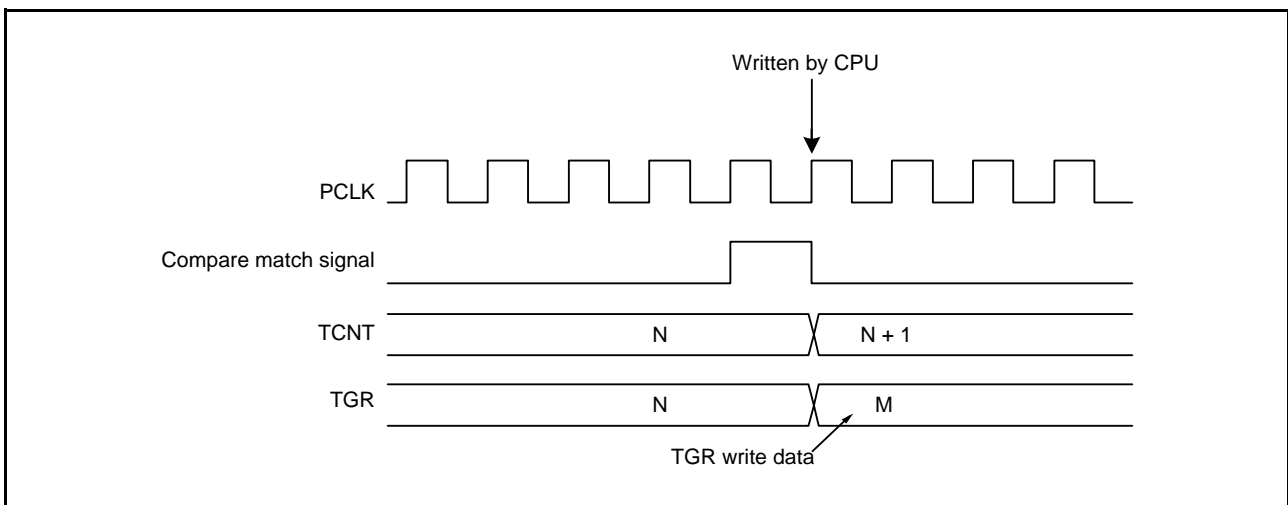


Figure 21.109 Contention between TGR Write Operation and Compare Match

21.6.7 Contention between Buffer Register Write Operation and Compare Match

If a compare match occurs in a TGR write cycle, the data before write operation is transferred to TGR by the buffer operation.

Figure 21.110 shows the timing in this case.

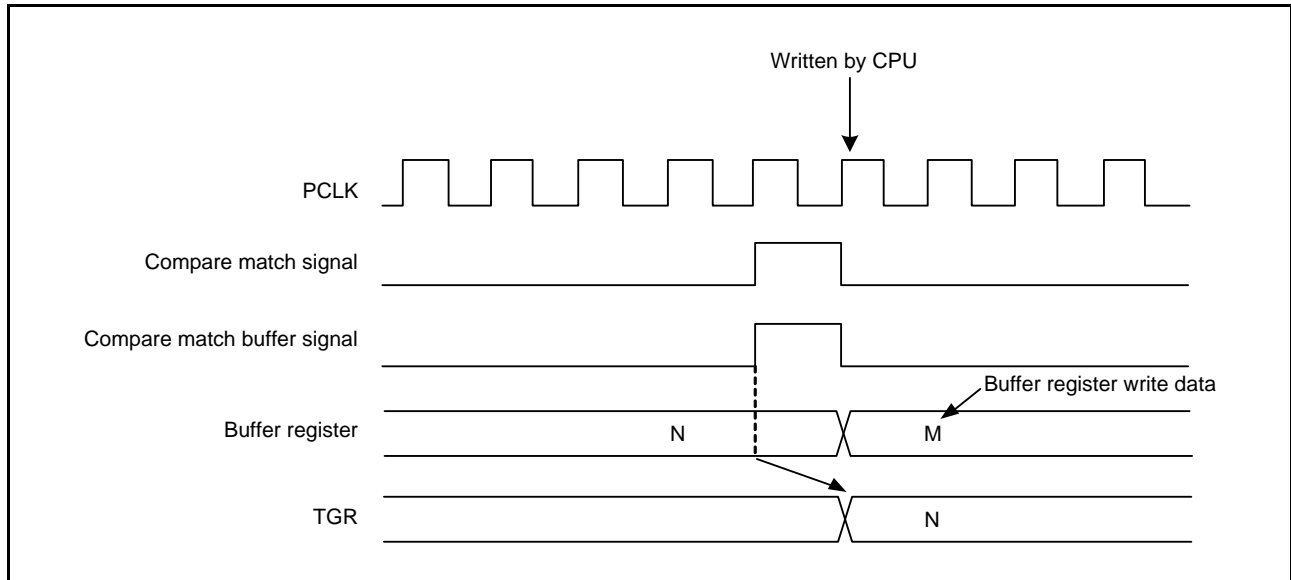


Figure 21.110 Contention between Buffer Register Write Operation and Compare Match

21.6.8 Contention between Buffer Register Write and TCNT Clear Operations

When the buffer transfer timing is set at the TCNT clear timing by the buffer transfer mode register (TBTM), if TCNT clearing occurs in a TGR write cycle, the data before write operation is transferred to TGR by the buffer operation.

Figure 21.111 shows the timing in this case.

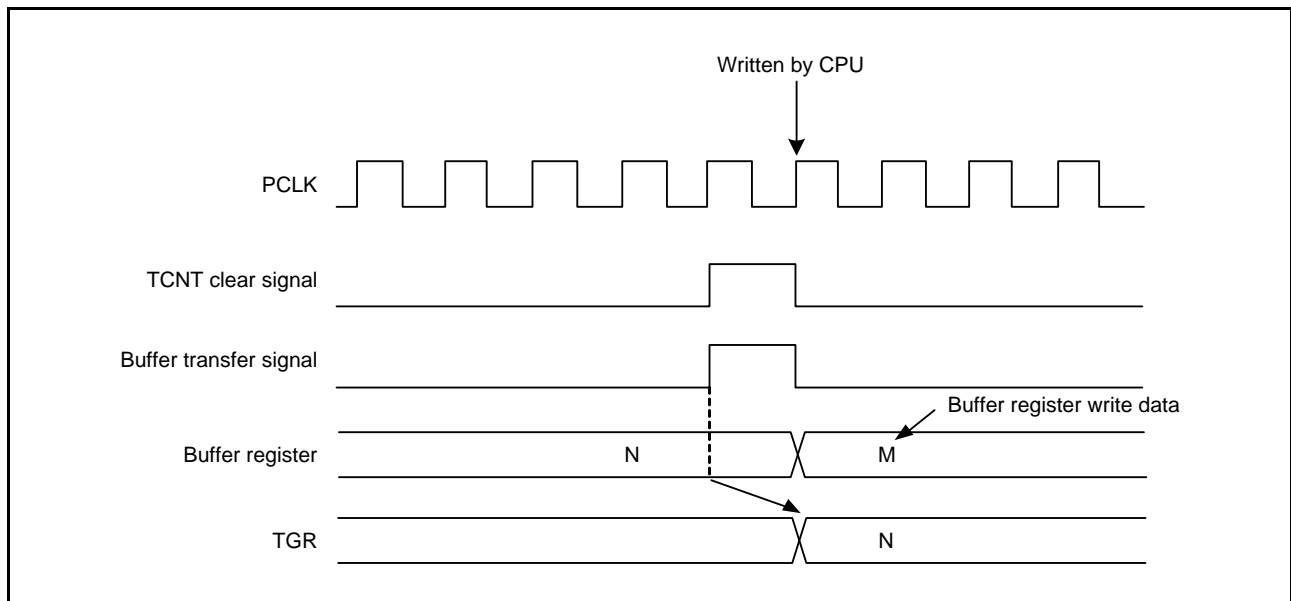


Figure 21.111 Contention between Buffer Register Write and TCNT Clear Operations

21.6.9 Contention between TGR Read Operation and Input Capture

If an input capture signal is generated in a TGR read cycle, the data before input capture transfer is read in MTU0 to MTU5.

Figure 21.112 shows the timing in this case.

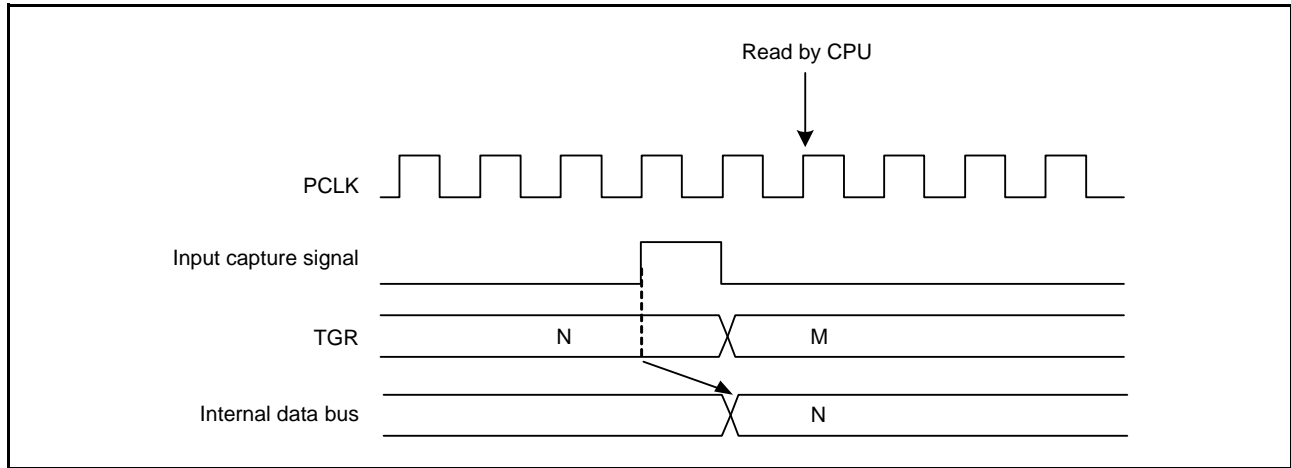


Figure 21.112 Contention between TGR Read Operation and Input Capture (MTU0 to MTU5)

21.6.10 Contention between TGR Write Operation and Input Capture

If an input capture signal is generated in a TGR write cycle, the input capture operation takes precedence and the TGR write operation is not performed in MTU0 to MTU4. In MTU5, the TGR write operation is performed and the input capture signal is generated.

Figure 21.113 and Figure 21.114 show the timing in this case.

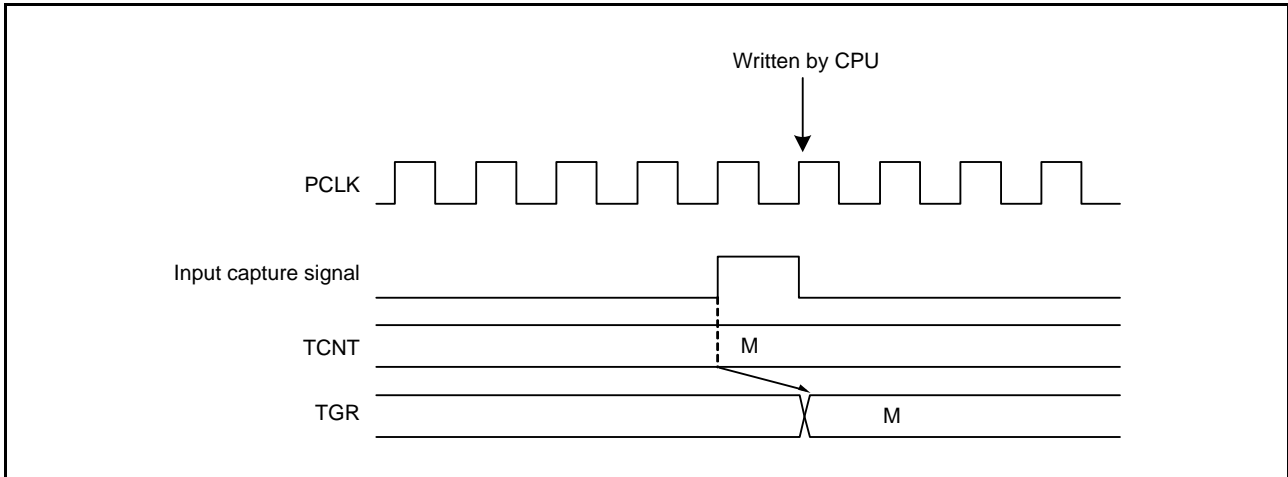


Figure 21.113 Contention between TGR Write Operation and Input Capture (MTU0 to MTU4)

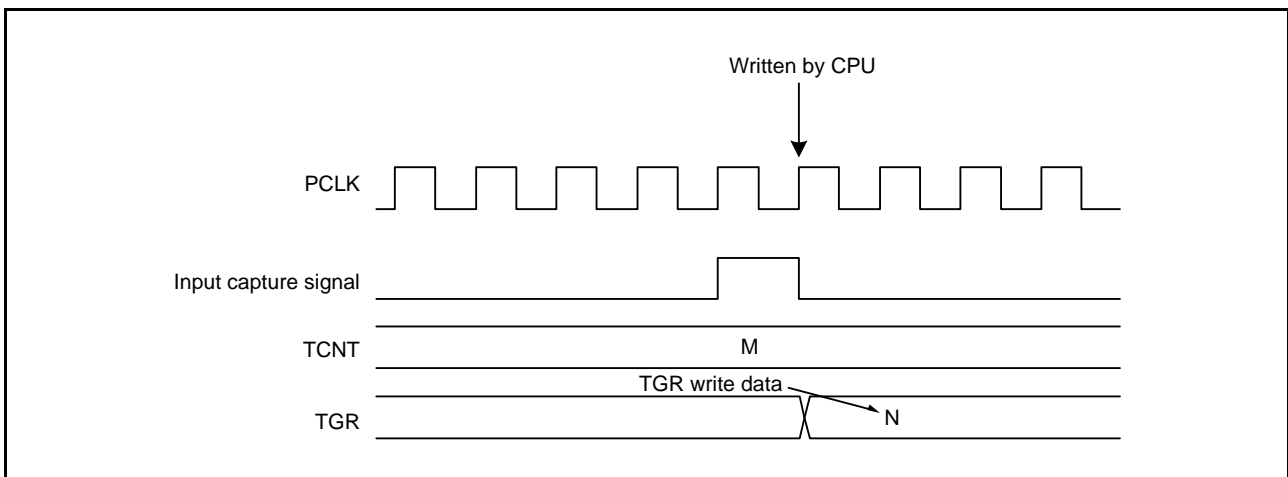


Figure 21.114 Contention between TGR Write Operation and Input Capture (MTU5)

21.6.11 Contention between Buffer Register Write Operation and Input Capture

If an input capture signal is generated in a buffer register write cycle, the buffer operation takes precedence and the buffer register write operation is not performed.

Figure 21.115 shows the timing in this case.

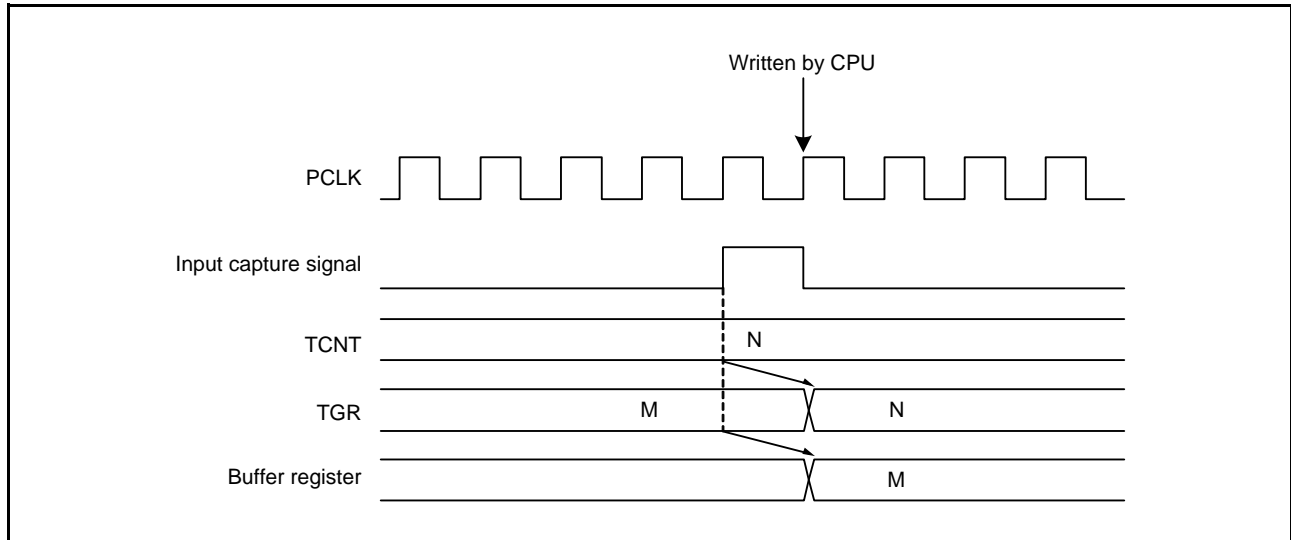


Figure 21.115 Contention between Buffer Register Write Operation and Input Capture

21.6.12 Contention between MTU2.TCNT Write Operation and Overflow/Underflow in Cascaded Operation

With timer counters MTU1.TCNT and MTU2.TCNT in a cascade, when a contention occurs between MTU1.TCNT counting (an MTU2.TCNT overflow/underflow) and the MTU2.TCNT write operation is performed and the MTU1.TCNT count signal is disabled. In this case, if MTU1.TGRA works as a compare match register and there is a match between the MTU1.TGRA and MTU1.TCNT values, a compare match signal is issued. Furthermore, when the MTU1.TCNT count clock is selected as the input capture source of MTU0, MTU0.TGRA to MTU0.TGRD work in input capture mode. In addition, when the MTU0.TGRC compare match/input capture is selected as the input capture source of MTU1.TGRB, MTU1.TGRB works in input capture mode.

Figure 21.116 shows the timing in this case.

When setting the TCNT clearing function in cascaded operation, be sure to synchronize MTU1 and MTU2.

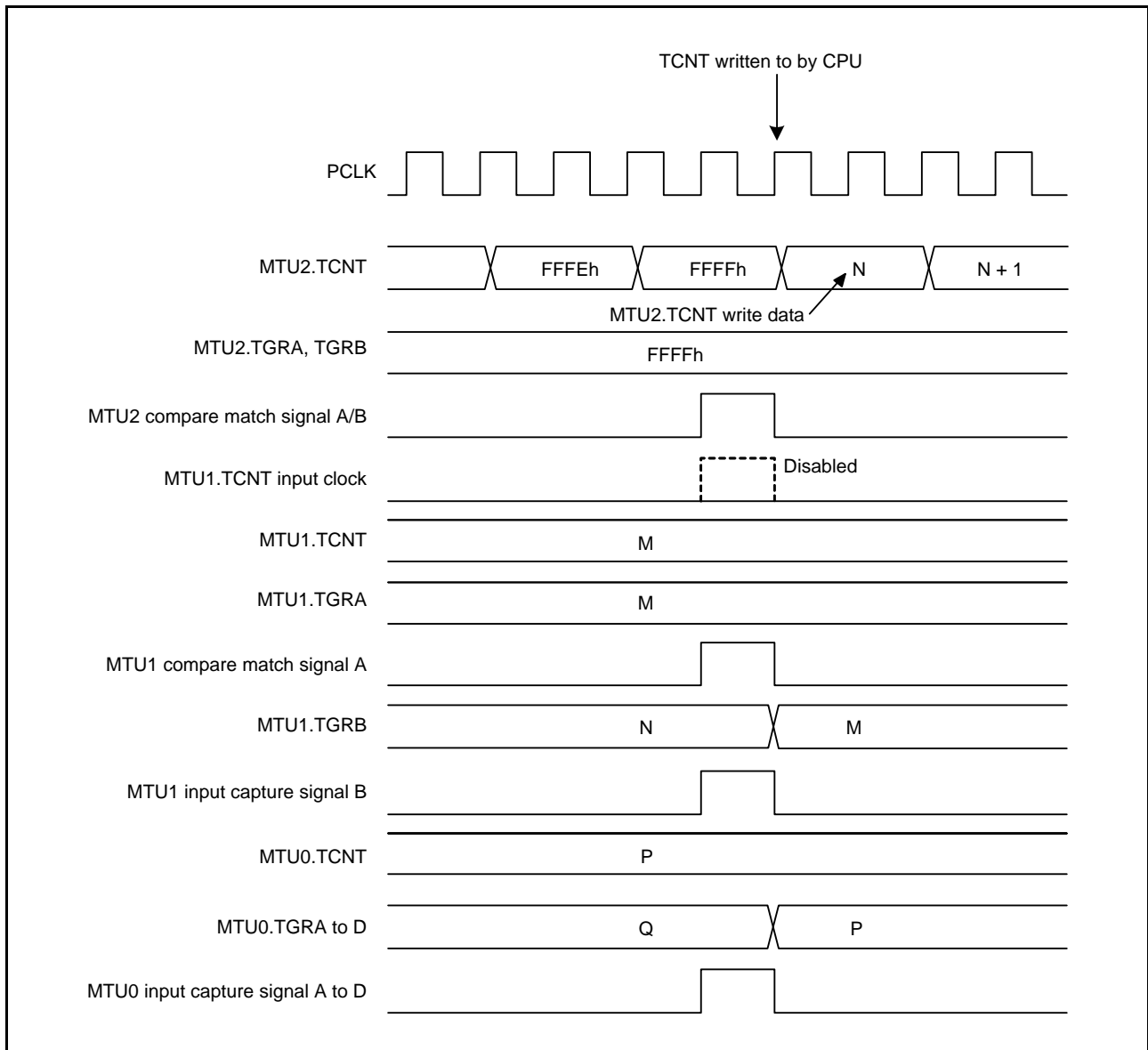


Figure 21.116 Contention between MTU2.TCNT Write Operation and Overflow/Underflow in Cascaded Operation

21.6.13 Counter Value when Stopped in Complementary PWM Mode

When counting operation in MTU3.TCNT and MTU4.TCNT is stopped in complementary PWM mode, MTU3.TCNT is set to the timer dead time register (TDDR) value and MTU4.TCNT is set to 0000h.

When operation is restarted in complementary PWM mode, counting begins automatically from the initial setting state. Figure 21.117 shows this operation.

When counting begins in another operating mode, be sure to make initial settings in MTU3.TCNT and MTU4.TCNT.

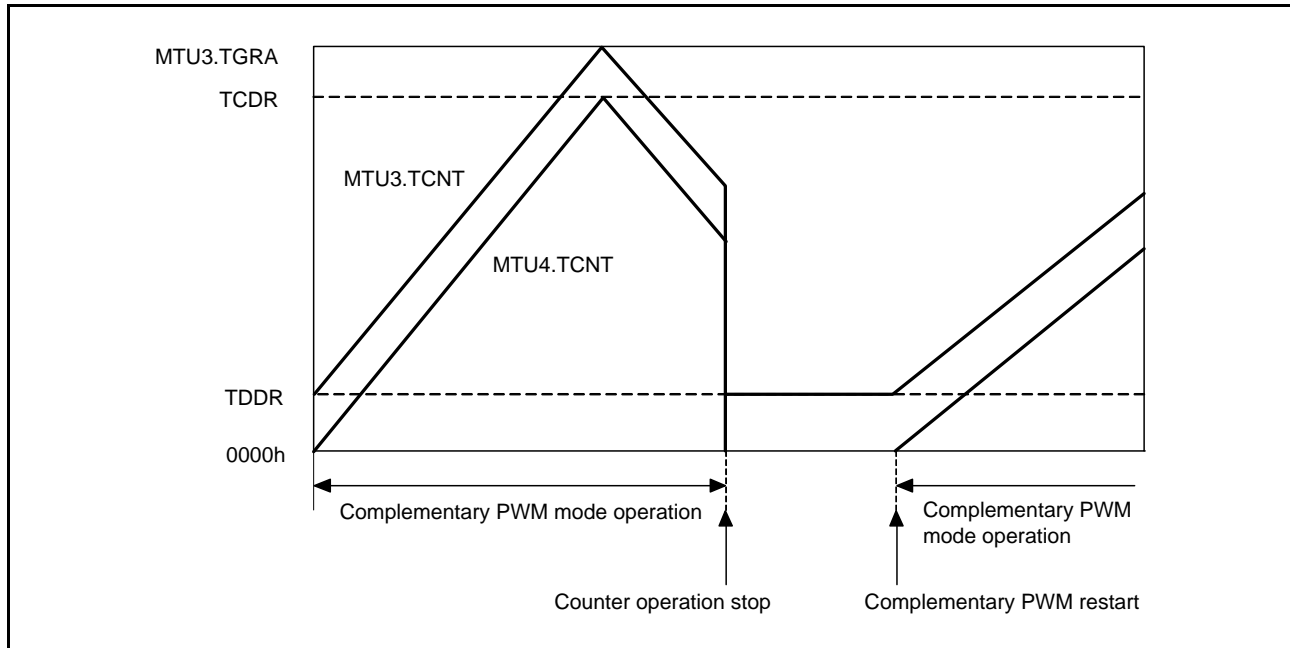


Figure 21.117 Counter Value when Stopped in Complementary PWM Mode (MTU3 and MTU4 Operation)

21.6.14 Buffer Operation Setting in Complementary PWM Mode

When modifying the PWM cycle set register (MTU3.TGRA), timer cycle data register (TCDR), and compare registers (MTU3.TGRB, MTU4.TGRA, and MTU4.TGRB) in complementary PWM mode, be sure to use buffer operation. Also, the BFA and BFB bits in MTU4.TMDR should be set to 0. Setting the BFA bit in MTU4.TMDR to 1 disables MTIOC4C pin waveform output. Setting the BFB bit in MTU4.TMDR to 1 also disables MTIOC4D pin waveform output.

In complementary PWM mode, buffer operation in MTU3 and MTU4 depends on the settings in bits BFA and BFB of MTU3.TMDR. When the BFA bit in MTU3.TMDR is set to 1, MTU3.TGRC functions as a buffer register for MTU3.TGRA. At the same time, MTU4.TGRC functions as a buffer register for MTU4.TGRA, and TCBR functions as a buffer register for TCDR.

21.6.15 Buffer Operation and Compare Match Flags in Reset-Synchronized PWM Mode

When setting buffer operation in reset-synchronized PWM mode, set the BFA and BFB bits in MTU4.TMDR to 0. Setting the BFA bit in MTU4.TMDR to 1 disables MTIOC4C pin waveform output. Setting the BFB bit in MTU4.TMDR to 1 also disables MTIOC4D pin waveform output.

In reset-synchronized PWM mode, buffer operation in MTU3 and MTU4 depends on the settings in the BFA and BFB bits of MTU3.TMDR. For example, if the BFA bit in MTU3.TMDR is set to 1, MTU3.TGRC functions as a buffer register for MTU3.TGRA. At the same time, MTU4.TGRC functions as a buffer register for MTU4.TGRA. While the MTU3.TGRC and MTU3.TGRD are operating as buffer registers, the corresponding TGIC and TGID interrupt requests are never generated.

Figure 21.118 shows an example of MTU3.TGR, MTU4.TGR, MTIOC3m, and MTIOC4m operation with the BFA and BFB bits in MTU3.TMDR set to 1 and the BFA and BFB bits in MTU4.TMDR set to 0. (m= A to D)

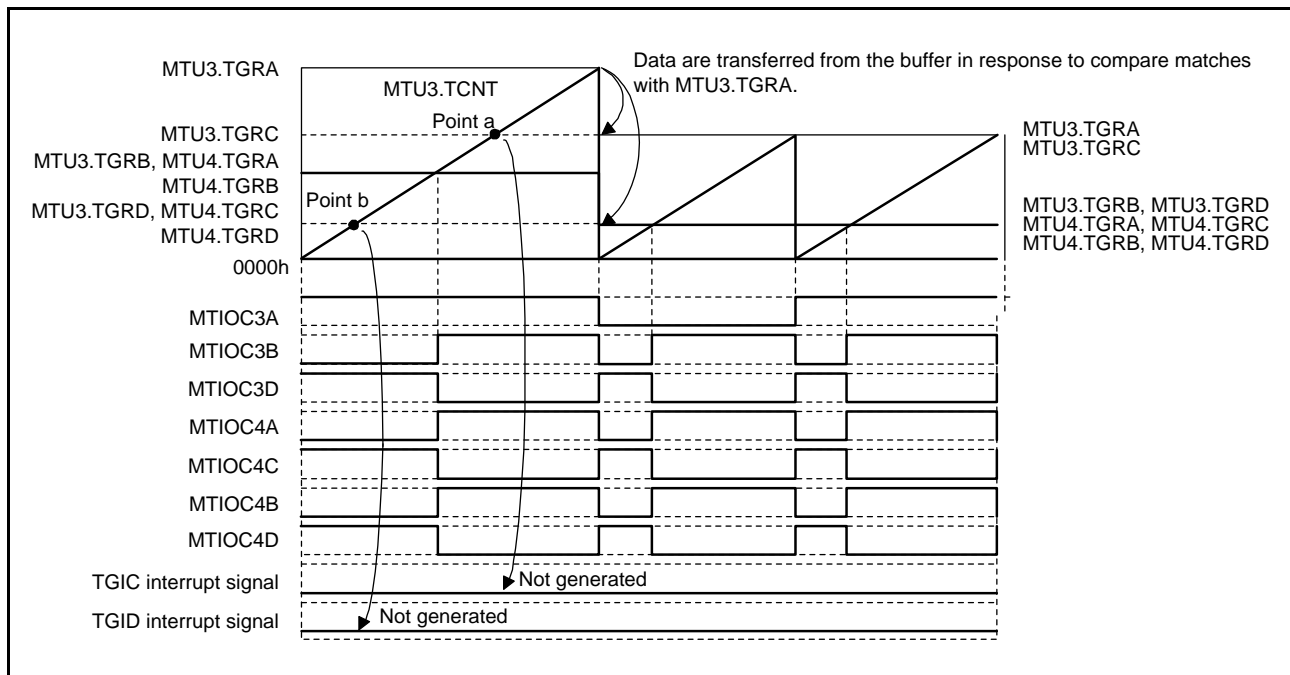


Figure 21.118 Buffer Operation and Compare Match Flags in Reset-Synchronized PWM Mode

21.6.16 Overflow Flags in Reset-Synchronized PWM Mode

After reset-synchronized PWM mode is selected, MTU3.TCNT and MTU4.TCNT start counting when the CST3 bit of TSTR is set to 1. In this state, the MTU4.TCNT count clock source and count edge are determined by the MTU3.TCR setting.

In reset-synchronized PWM mode, with cycle register MTU3.TGRA set to FFFFh and the MTU3.TGRA compare match selected as the counter clearing source, MTU3.TCNT and MTU4.TCNT count up to FFFFh, then a compare match occurs with MTU3.TGRA, and MTU3.TCNT and MTU4.TCNT are both cleared. In this case, the corresponding TCIV interrupt request is not generated.

Figure 21.119 shows an operation example in reset-synchronized PWM mode with cycle register MTU3.TGRA set to FFFFh and the MTU3.TGRA compare match specified for the counter clearing source without synchronous operation setting.

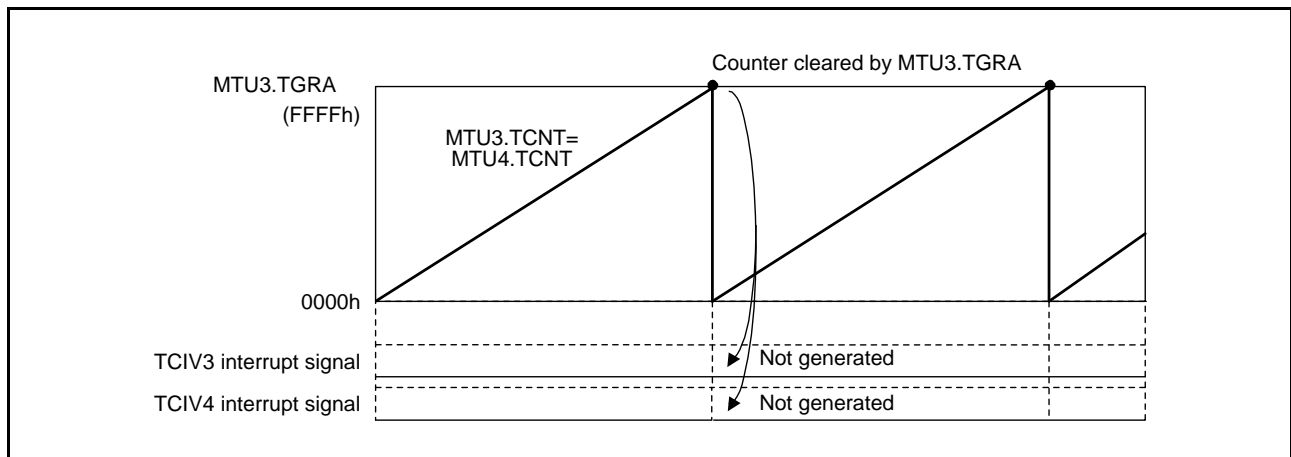


Figure 21.119 Overflow Flags in Reset-Synchronized PWM Mode

21.6.17 Contention between Overflow/Underflow and Counter Clearing

If an overflow/underflow and counter clearing occur simultaneously, TCNT clearing takes precedence and the corresponding TCIV interrupt is not generated.

Figure 21.120 shows the operation timing when a TGR compare match is specified as the clearing source and TGR is set to FFFFh.

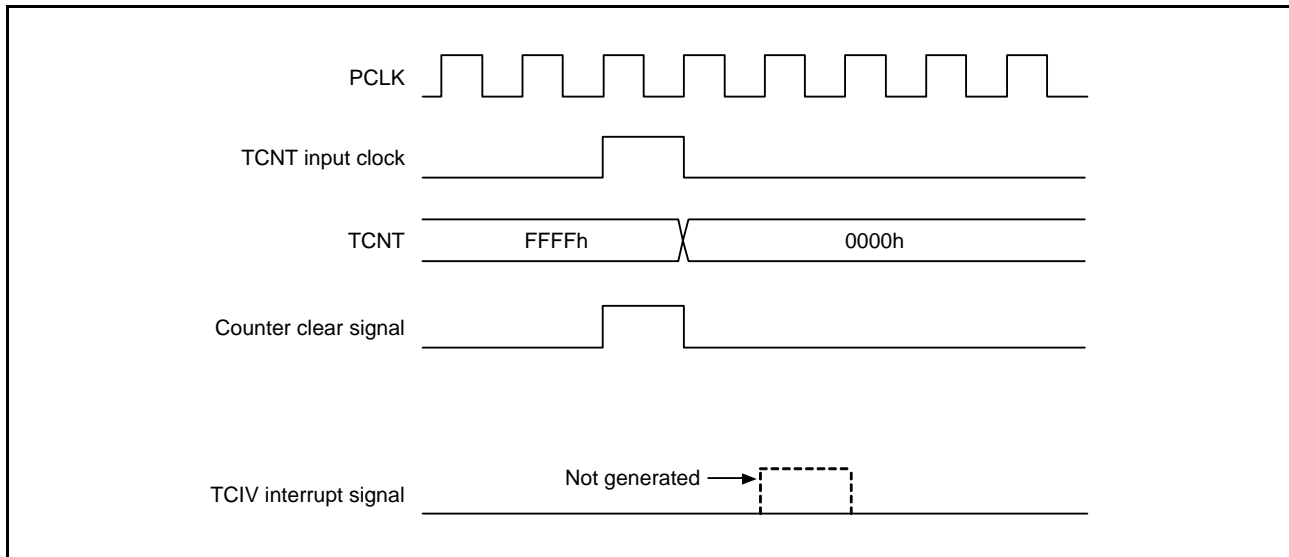


Figure 21.120 Contention between Overflow and Counter Clearing

21.6.18 Contention between TCNT Write Operation and Overflow/Underflow

If TCNT counts up or down in a TCNT write cycle and an overflow or an underflow occurs, the TCNT write operation takes precedence. The corresponding interrupt is not generated.

Figure 21.121 shows the operation timing when there is contention between TCNT write operation and overflow.

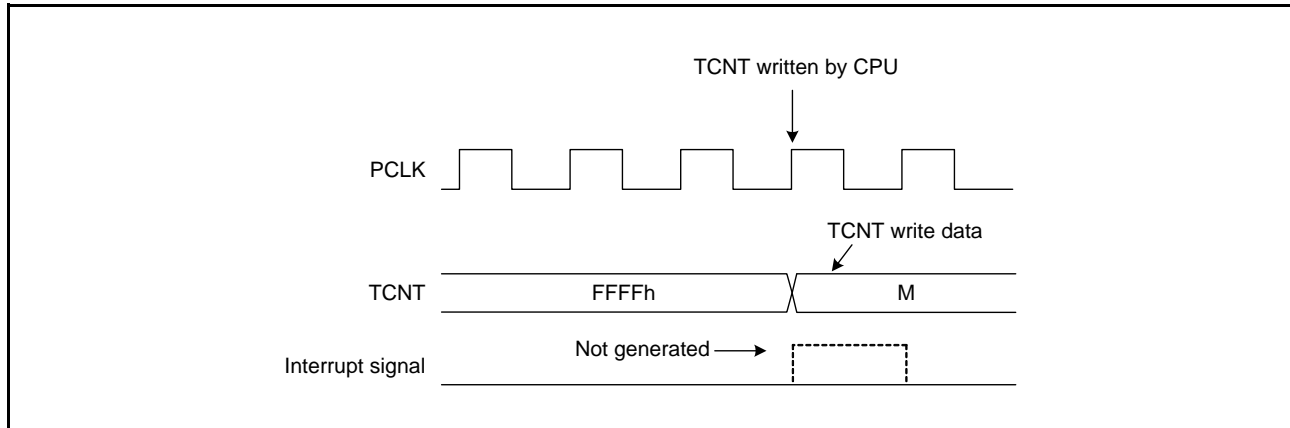


Figure 21.121 Contention between TCNT Write Operation and Overflow

21.6.19 Note on Transition from Normal Mode or PWM Mode 1 to Reset-Synchronized PWM Mode

When making a transition from normal mode or PWM mode 1 to reset-synchronized PWM mode in MTU3 and MTU4, if the counter is stopped while the output pins (MTIOC3B, MTIOC3D, MTIOC4A, MTIOC4C, MTIOC4B, and MTIOC4D) are held at a high level and then operation is started after a transition to reset-synchronized PWM mode, the initial pin output will not be correct.

When making a transition from normal mode to reset-synchronized PWM mode, write 11h to MTU3.TIORH, MTU3.TIORL, MTU4.TIORH, and MTU4.TIORL to initialize the output pin state to a low level, then set the registers to the initial value (00h) before making the mode transition.

When making a transition from PWM mode 1 to reset-synchronized PWM mode, switch to normal mode, initialize the output pin state to a low level, and then set the registers to the initial value (00h) before making the transition to reset-synchronized PWM mode.

21.6.20 Output Level in Complementary PWM Mode or Reset-Synchronized PWM Mode

When complementary PWM mode or reset-synchronized PWM mode is selected for MTU3 or MTU4, use the OLSP and OLSN bits in the timer output control register 1 (TOCR1) to set the levels for PWM waveform output. Also, when either of these modes is in use, set TIOR to 00h.

21.6.21 Interrupts During Periods in the Module-Stop State

When a module that has issued an interrupt request enters the module-stop state, clearing the source of the interrupt for the CPU or activation signal for the DMAC or DTC is not possible.

Accordingly, disable interrupts, etc. before making the settings for the module-stop state.

21.6.22 Simultaneous Input Capture in MTU1.TCNT and MTU2.TCNT in Cascade Connection

When timer counters (MTU1.TCNT and MTU2.TCNT) operate as a 32-bit counter in cascade connection, the cascaded counter value cannot be captured successfully in some cases even if input-capture input is simultaneously done to MTIOC1A and MTIOC2A or to MTIOC1B and MTIOC2B. This is because the input timing of MTIOC1A and MTIOC2A or of MTIOC1B and MTIOC2B may not be the same when external input-capture signals input into MTU1.TCNT and MTU2.TCNT are taken in synchronization with the internal clock.

For example, MTU1.TCNT (the counter for upper 16 bits) does not capture the count-up value by an overflow from MTU2.TCNT (the counter for lower 16 bits) but captures the count value before the up-counting. In this case, the values of MTU1.TCNT = FFF1h and MTU2.TCNT = 0000h should be transferred to MTU1.TGRA and MTU2.TGRA or to MTU1.TGRB and MTU2.TGRB, but the values of MTU1.TCNT = FFF0h and MTU2.TCNT = 0000h are erroneously transferred.

The MTU has a new function that allows simultaneous capture of MTU1.TCNT and MTU2.TCNT with a single input-capture input as the trigger. This function allows reading of the 32-bit counter such that MTU1.TCNT and MTU2.TCNT are captured at the same time. For details, see section 21.2.8, Timer Input Capture Control Register (TICCR).

21.6.23 Notes when Complementary PWM Mode Output Protection Functions are not Used

The complementary PWM mode output protection functions are initially enabled. If the functions are not used, the POE.POECR2 register should be set to 00h.

21.6.24 Point for Caution Regarding MTU5.TCNT and MTU5.TGR Registers

Do not set an MTU5.TGR_m (m = U, V, W) bit to the value of the corresponding MTU5.TCNT_m (m = U, V, W) register plus one while counting by the MTU5.TCNT_m (m = U, V, W) register is stopped. If an MTU5.TGR_m (m = U, V, W) bit is set to the value of the corresponding MTU5.TCNT_m (m = U, V, W) register plus one while counting by the MTU5.TCNT_m (m = U, V, W) register is stopped, a compare-match will be generated even though counting is stopped. In this case, if the corresponding MTU5.TIER.TGIE5_m (m = U, V, W) bit is also set to 1 (enabling interrupts), a compare-match interrupt will also be generated. If the value of the timer compare match clear register is also 1 (enabled), the timer is automatically cleared to 0000h when the compare-match is generated, regardless of whether interrupts from the MTU5.TCNT_m (m = U, V, W) are enabled or disabled.

21.6.25 Points for Caution to Prevent Malfunctions in Synchronous Clearing for Complementary PWM Mode

If control of the output waveform is enabled (TWCR.WRE = 1) at the time of synchronous counter clearing in complementary PWM mode, satisfaction of either condition 1 or 2 below has the following effects.

- Dead time on the PWM output pins is shortened (or disappears).
- The active level is output on the PWM inverse-phase output pins beyond the period for active-level output.

Condition 1: In portion (10) of the initial output inhibition period in Figure 21.122, synchronous clearing occurs within the dead-time period for PWM output.

Condition 2: In portions (10) and (11) of the initial output inhibition period in Figure 21.123, synchronous clearing occurs when any condition from among $MTU3.TGRB \leq TDDR$, $MTU4.TGRA \leq TDDR$, or $MTU4.TGRB \leq TDDR$ is satisfied.

The following method avoids the above phenomena.

- Ensure that synchronous clearing proceeds with the value of each comparison register (MTU3.TGRB, MTU4.TGRA, and MTU4.TGRB) set to at least double the value of the dead time data register (TDDR).

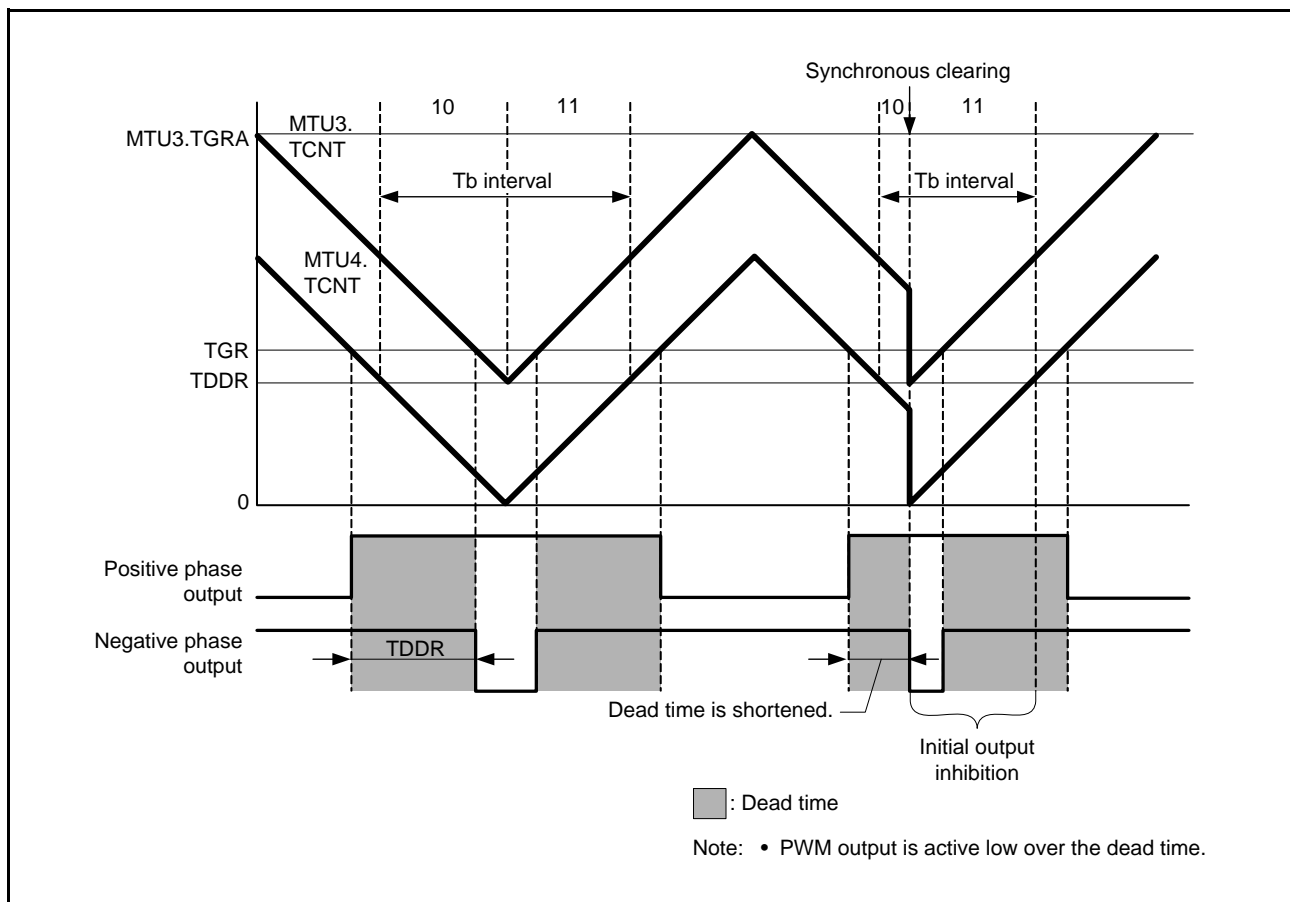


Figure 21.122 Example of Synchronous Clearing (when Condition 1 Applies)

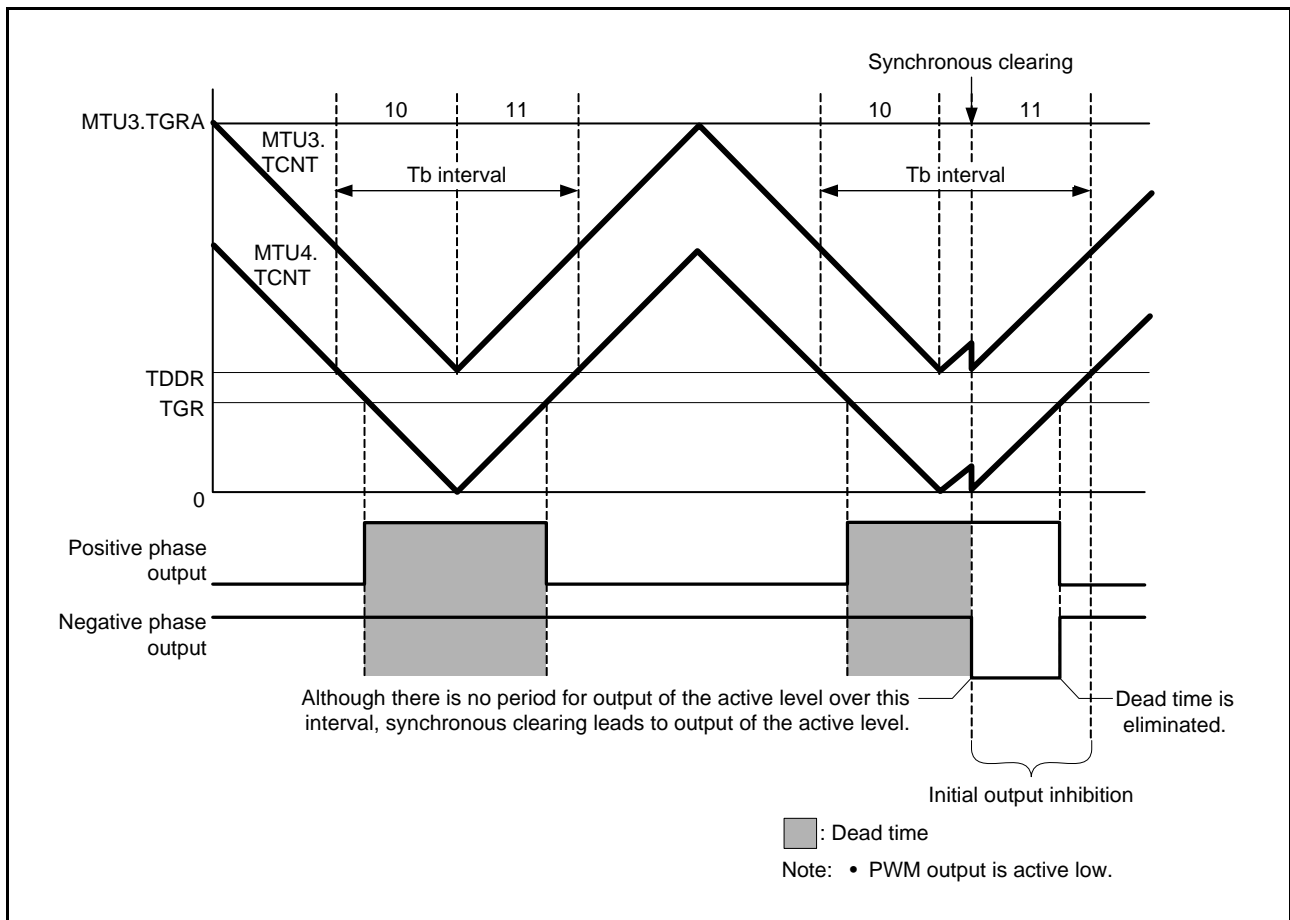


Figure 21.123 Example of Synchronous Clearing (when Condition 2 Applies)

21.6.26 Continuous Output of Interrupt Signal in Response to a Compare Match

When TGR is set to 0000h, PCLK/1 is set as the counter clock, and compare match is set as the trigger for clearing of the counter clock, the value of the counter (TCNT) counter remains 0000h, and the interrupt signal will be output continuously (i.e. its level will be flat) rather than output over a single cycle. Consequently, interrupts will not be detected in response to second and subsequent compare matches.

Figure 21.124 shows the timing for continuous output of the interrupt signal in response to a compare match.

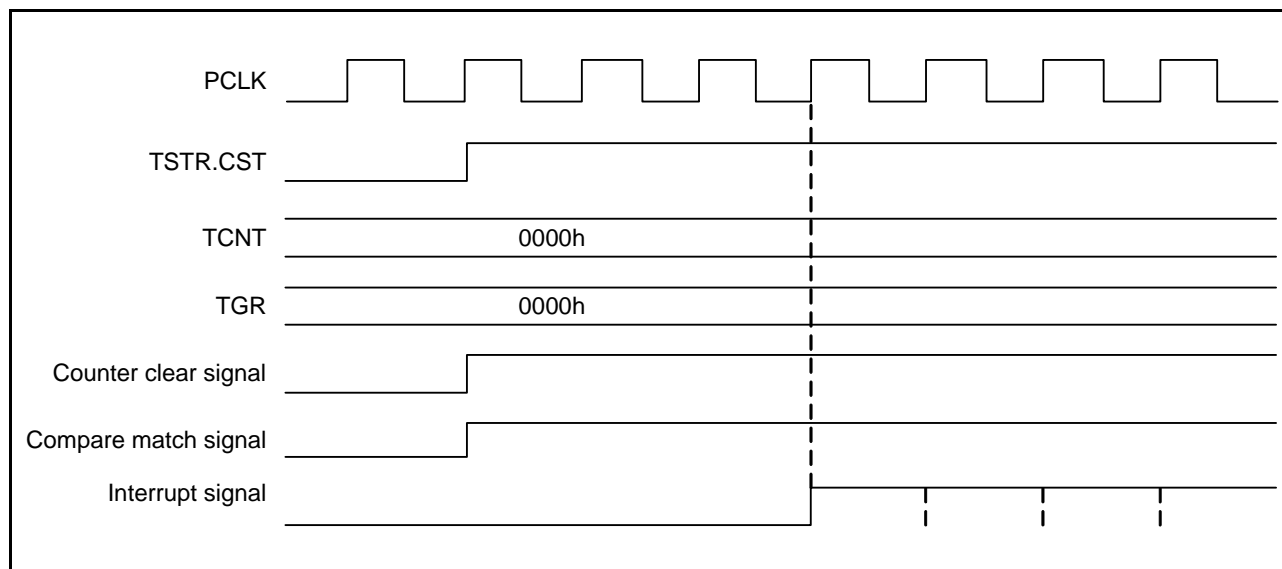


Figure 21.124 Continuous Output of Interrupt Signal in Response to a Compare Match

21.7 MTU Output Pin Initialization

21.7.1 Operating Modes

The MTU has the following six operating modes. Waveforms can be output in any of these modes.

- Normal mode (MTU0 to MTU4)
- PWM mode 1 (MTU0 to MTU4)
- PWM mode 2 (MTU0 to MTU2)
- Phase counting modes 1 to 4 (MTU1 and MTU2)
- Complementary PWM mode (MTU3 and MTU4)
- Reset-synchronized PWM mode (MTU3 and MTU4)

This section describes how to initialize the MTU output pins in each of these modes.

21.7.2 Operation in Case of Re-Setting Due to Error during Operation

If an error occurs during MTU operation, MTU output should be cut off by the system. Cutting MTU output off is achieved by switching the pins to the output port function and placing the inverse of the active level on the pins. For motor driving pins, output can also be cut by hardware, using port output enable (POE). The pin initialization procedures for re-setting due to an error during operation and the procedures for restarting in a different mode after re-setting are described below.

The MTU has six operating modes, as stated above. There are thus 36 mode transition combinations, but some transitions are not available with certain channel and mode combinations. Available mode transition combinations are listed in Table 21.59.

Table 21.59 Mode Transition Combinations

	Normal	PWM1	PWM2	PCM	CPWM	RPWM
Normal	(1)	(2)	(3)	(4)	(5)	(6)
PWM1	(7)	(8)	(9)	(10)	(11)	(12)
PWM2	(13)	(14)	(15)	(16)	Not available	Not available
PCM	(17)	(18)	(19)	(20)	Not available	Not available
CPWM	(21)	(22)	Not available	Not available	(23)(24)	(25)
RPWM	(26)	(27)	Not available	Not available	(28)	(29)

Normal: Normal mode

PWM1: PWM mode 1

PWM2: PWM mode 2

PCM: Phase counting modes 1 to 4

CPWM: Complementary PWM mode

RPWM: Reset-synchronized PWM mode

21.7.3 Overview of Pin Initialization Procedures and Mode Transitions in Case of Error during Operation

- When making a transition to a mode (Normal, PWM1, PWM2, or PCM) in which the pin output level is selected by the timer I/O control register (TIOR) setting, initialize the pins by means of TIOR setting.
- In PWM mode 1, since a waveform is not output to the MTIOCnB (MTIOCnD) pins, setting TIOR will not initialize the pins. If initialization is required, carry it out in normal mode, then switch to PWM mode 1.
- In PWM mode 2, since a waveform is not output to the cycle register pins, setting TIOR will not initialize the pins. If initialization is required, carry it out in normal mode, then switch to PWM mode 2.
- In normal mode or PWM mode 2, if TGRC and TGRD operate as buffer registers, setting TIOR will not initialize the buffer register pins. If initialization is required, clear buffer mode, carry out initialization, then set buffer mode again.
- In PWM mode 1, if either TGRC or TGRD operates as a buffer register, setting TIOR will not initialize the TGRC pin. To initialize the TGRC pin, clear buffer mode, carry out initialization, then set buffer mode again.
- When making a transition to a mode (CPWM or RPWM) in which the pin output level is selected by the timer output control register (TOCR) setting, switch to normal mode, perform initialization with TIOR, restore TIOR to its initial value, and temporarily disable output in MTU3 and MTU4 with the timer output master enable register (TOER). After that, operate the MTU in accordance with the mode setting procedure (TOCR setting, TMDR setting, and TOER setting).

Note: • Channel number is substituted for “n” indicated in this section unless otherwise specified.

Pin initialization procedures are described below for the numbered combinations in Table 21.59. The active level is assumed to be low.

(1) Operation When Error Occurs in Normal Mode and Operation is Restarted in Normal Mode

Figure 21.125 shows a case in which an error occurs in normal mode and operation is restarted in normal mode after re-setting.

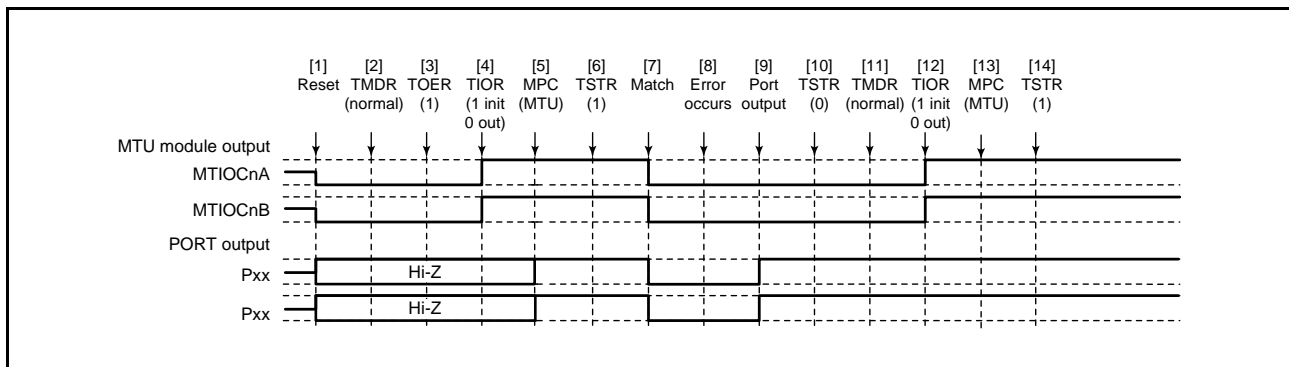


Figure 21.125 Error Occurrence in Normal Mode, Recovery in Normal Mode

- [1] After a reset, the MTU output goes low and the ports enter high-impedance state.
- [2] After a reset, the TMDR setting is for normal mode.
- [3] For MTU3 and MTU4, enable output with TOER before initializing the pins with TIOR.
- [4] Initialize the pins with TIOR. (In the example, the initial output is a high level, and a low level is output on compare match occurrence.)
- [5] Use the MPC and the port mode register (PMR) for the I/O port to set up MTU output.
- [6] Start count operation by setting TSTR.
- [7] Output goes low on compare match occurrence.
- [8] An error occurs.
- [9] Use the port direction register (PDR) and port mode register (PMR) for the input port pin to switch it to operate as a general output port pin, and the port output data register (PODR) to select output of the non-active level.
- [10] Stop count operation by setting TSTR.
- [11] This step is not necessary when restarting in normal mode.
- [12] Initialize the pins with TIOR.
- [13] Use the MPC and the port mode register (PMR) for the I/O port to set up MTU output.
- [14] Restart operation by setting TSTR.

(2) Operation When Error Occurs in Normal Mode and Operation is Restarted in PWM Mode 1

Figure 21.126 shows a case in which an error occurs in normal mode and operation is restarted in PWM mode 1 after re-setting.

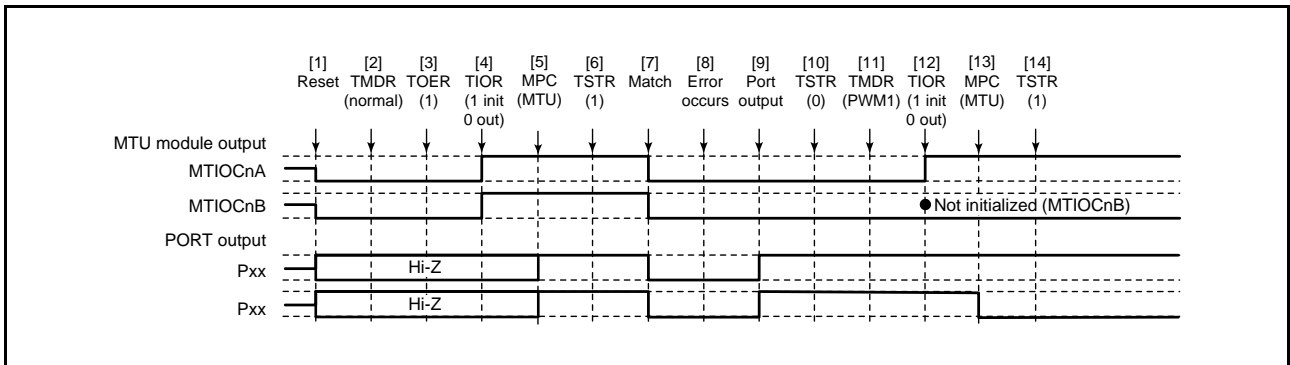


Figure 21.126 Error Occurrence in Normal Mode, Recovery in PWM Mode 1

[1] to [10] are the same as in Figure 21.125.

[11] Set PWM mode 1.

[12] Set the TIOR register to initialize pins, i.e. so that the MTIOCnB (or MTIOCnD) does not produce a waveform in PWM mode 1. If a particular level should be output, set the port direction register (PDR) and the port output data register (PODR) so that the pins of the I/O port operate as general outputs.

[13] Use the MPC and the port mode register (PMR) for the I/O port to set up MTU output.

[14] Restart operation by setting TSTR.

(3) Operation When Error Occurs in Normal Mode and Operation is Restarted in PWM Mode 2

Figure 21.127 shows a case in which an error occurs in normal mode and operation is restarted in PWM mode 2 after re-setting.

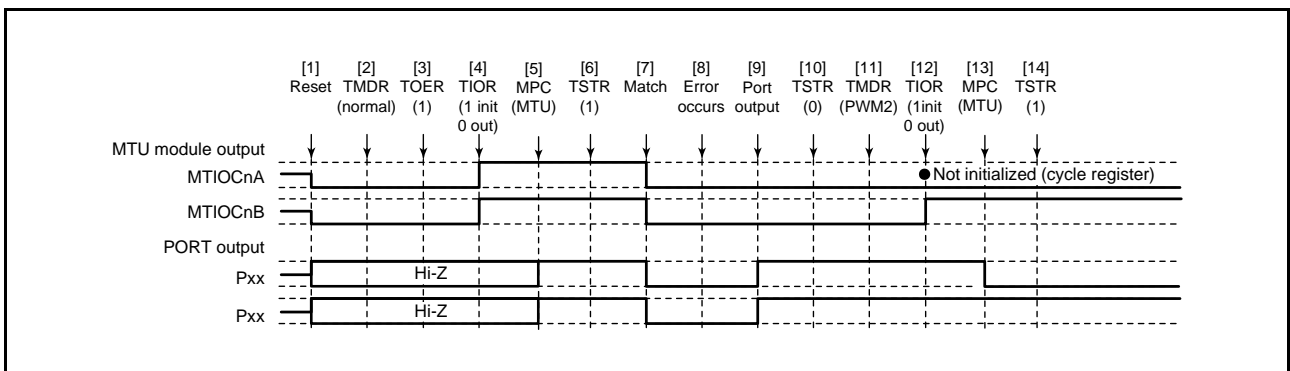


Figure 21.127 Error Occurrence in Normal Mode, Recovery in PWM Mode 2

[1] to [10] are the same as in Figure 21.125.

[11] Set PWM mode 2.

[12] Initialize the pins with TIOR. (In PWM mode 2, the cycle register pins are not initialized. If initialization is required, initialize in normal mode, then switch to PWM mode 2.)

[13] Use the MPC and the port mode register (PMR) for the I/O port to set up MTU output.

[14] Restart operation by setting TSTR.

Note: • PWM mode 2 can only be selected for MTU0 to MTU2, and therefore TOER setting is not necessary.

(4) Operation When Error Occurs in Normal Mode and Operation is Restarted in Phase Counting Mode

Figure 21.128 shows a case in which an error occurs in normal mode and operation is restarted in phase counting mode after re-setting.

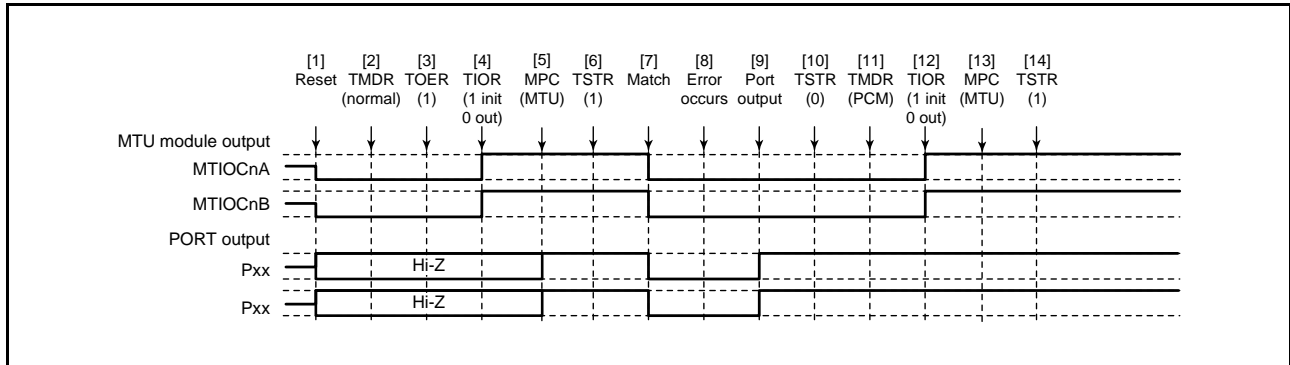


Figure 21.128 Error Occurrence in Normal Mode, Recovery in Phase Counting Mode

[1] to [10] are the same as in Figure 21.125.

[11] Set the phase counting mode.

[12] Initialize the pins with TIOR.

[13] Use the MPC and the port mode register (PMR) for the I/O port to set up MTU output.

[14] Restart operation by setting TSTR.

Note: • The phase counting mode can only be selected for MTU1 and MTU2, and therefore TOER setting is not necessary.

(5) Operation When Error Occurs in Normal Mode and Operation is Restarted in Complementary PWM Mode

Figure 21.129 shows a case in which an error occurs in normal mode and operation is restarted in complementary PWM mode after re-setting.

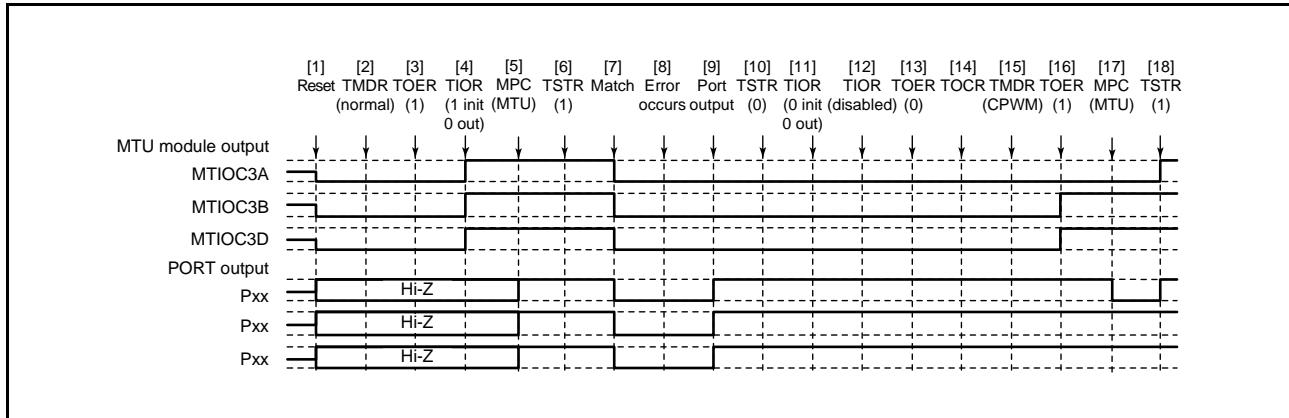


Figure 21.129 Error Occurrence in Normal Mode, Recovery in Complementary PWM Mode

[1] to [10] are the same as in Figure 21.125.

[11] Initialize the normal mode waveform generation section with TIOR.

[12] Disable operation of the normal mode waveform generation section with TIOR.

[13] Disable output in MTU3 and MTU4 with TOER.

[14] Select the complementary PWM output level and enable or disable cyclic output with TOCR.

[15] Set complementary PWM mode.

[16] Enable output in MTU3 and MTU4 with TOER.

[17] Use the MPC and the port mode register (PMR) for the I/O port to set up MTU output.

[18] Restart operation by setting TSTR.

(6) Operation When Error Occurs in Normal Mode and Operation is Restarted in Reset-Synchronized PWM Mode

Figure 21.130 shows a case in which an error occurs in normal mode and operation is restarted in reset-synchronized PWM mode after re-setting.

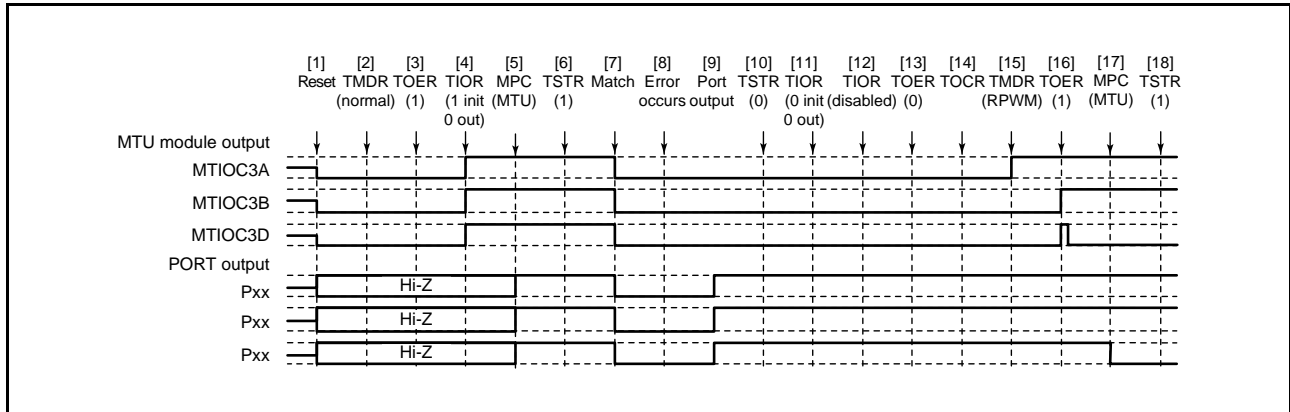


Figure 21.130 Error Occurrence in Normal Mode, Recovery in Reset-Synchronized PWM Mode

[1] to [13] are the same as in Figure 21.125.

[14] Select the reset-synchronized PWM output level and enable or disable cyclic output with TOCR.

[15] Set reset-synchronized PWM mode.

[16] Enable output in MTU3 and MTU4 with TOER.

[17] Use the MPC and the port mode register (PMR) for the I/O port to set up MTU output.

[18] Restart operation by setting TSTR.

(7) Operation When Error Occurs in PWM Mode 1 and Operation is Restarted in Normal Mode

Figure 21.131 shows a case in which an error occurs in PWM mode 1 and operation is restarted in normal mode after re-setting.

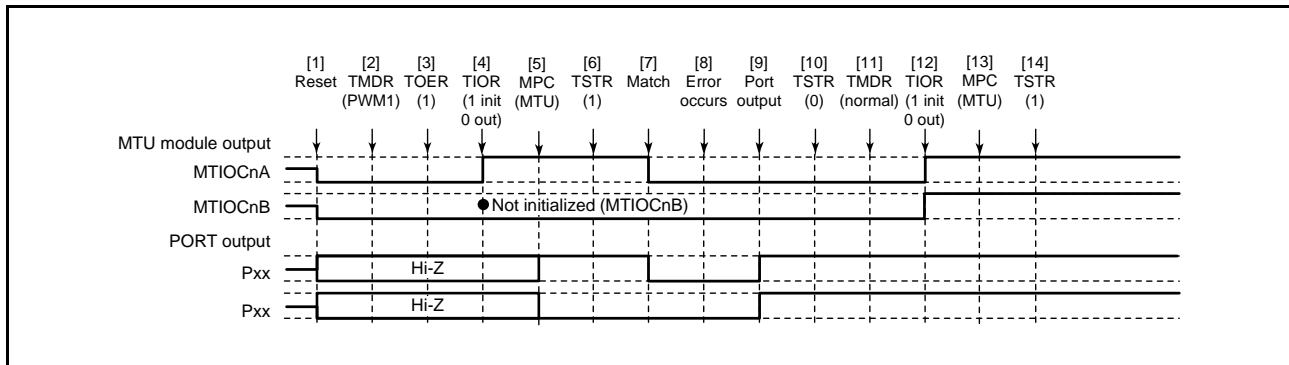


Figure 21.131 Error Occurrence in PWM Mode 1, Recovery in Normal Mode

- [1] After a reset, the MTU output goes low and the ports enter high-impedance state.
- [2] Set PWM mode 1.
- [3] For MTU3 and MTU4, enable output with TOER before initializing the pins with TIOR.
- [4] Initialize the pins with TIOR. (In the example, the initial output is a high level, and a low level is output on compare match occurrence. In PWM mode 1, the MTIOCnB side is not initialized.)
- [5] Use the MPC and the port mode register (PMR) for the I/O port to set up MTU output.
- [6] Start count operation by setting TSTR.
- [7] Output goes low on compare match occurrence.
- [8] An error occurs.
- [9] Use the port direction register (PDR) and port mode register (PMR) for the input port pin to switch it to operate as a general output port pin, and the port output data register (PODR) to select output of the non-active level.
- [10] Stop count operation by setting TSTR.
- [11] Set normal mode.
- [12] Initialize the pins with TIOR.
- [13] Use the MPC and the port mode register (PMR) for the I/O port to set up MTU output.
- [14] Restart operation by setting TSTR.

(8) Operation When Error Occurs in PWM Mode 1 and Operation is Restarted in PWM mode 1

Figure 21.132 shows a case in which an error occurs in PWM mode 1 and operation is restarted in PWM mode 1 after re-setting.

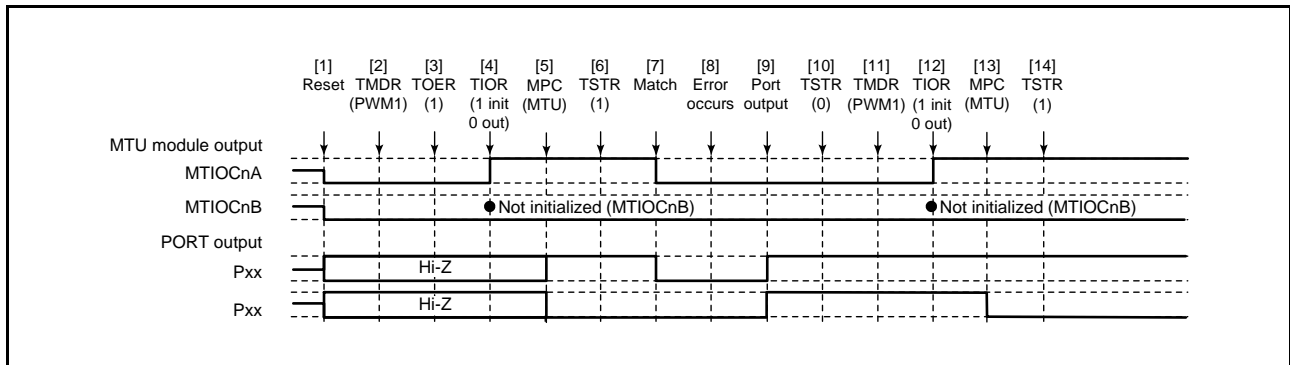


Figure 21.132 Error Occurrence in PWM Mode 1, Recovery in PWM Mode 1

[1] to [10] are the same as in Figure 21.131.

[11] This step is not necessary when restarting in PWM mode 1.

[12] Initialize the pins with the TIOR register. (In PWM mode 1, a waveform is not output on the MTIOCnB (MTIOCnD) pins. If a level is to be output, make the required general output port settings in the I/O port's port direction register (PDR) and port output data register (PODR).)

[13] Use the MPC and the port mode register (PMR) for the I/O port to set up MTU output.

[14] Restart operation by setting TSTR.

(9) Operation When Error Occurs in PWM Mode 1 and Operation is Restarted in PWM mode 2

Figure 21.133 shows a case in which an error occurs in PWM mode 1 and operation is restarted in PWM mode 2 after re-setting.

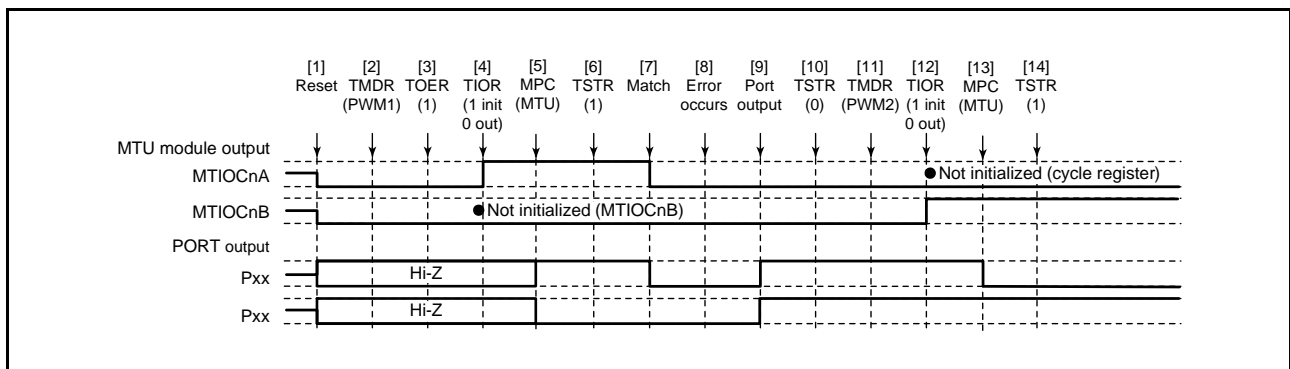


Figure 21.133 Error Occurrence in PWM Mode 1, Recovery in PWM Mode 2

[1] to [10] are the same as in Figure 21.131.

[11] Set PWM mode 2.

[12] Initialize the pins with the TIOR register. (In PWM mode 2, a waveform is not output on the cycle register pins. If a level is to be output, make the required general output port settings in the I/O port's port direction register (PDR) and port output data register (PODR).)

[13] Use the MPC and the port mode register (PMR) for the I/O port to set up MTU output.

[14] Restart operation by setting TSTR.

Note: • PWM mode 2 can only be selected for MTU0 to MTU2, and therefore, TOER setting is not necessary.

(10) Operation When Error Occurs in PWM Mode 1 and Operation is Restarted in Phase Counting Mode

Figure 21.134 shows a case in which an error occurs in PWM mode 1 and operation is restarted in phase counting mode after re-setting.

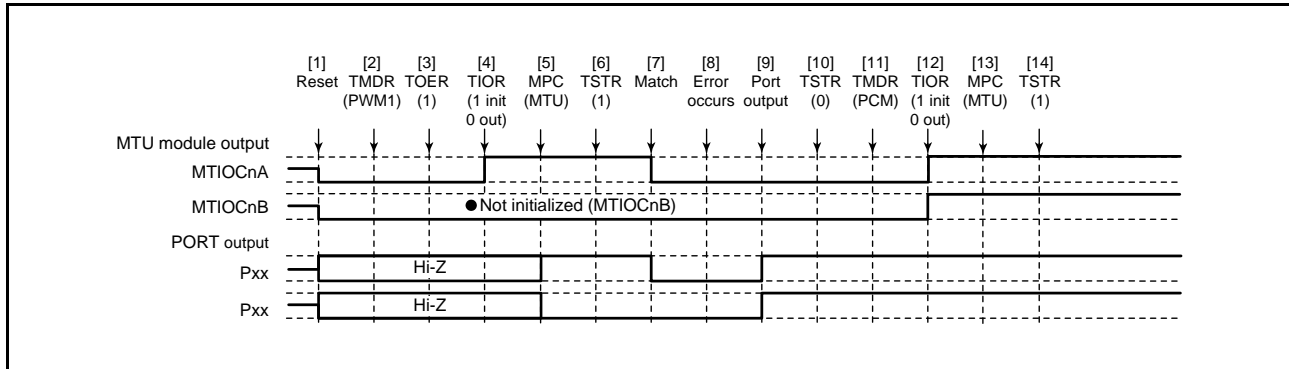


Figure 21.134 Error Occurrence in PWM Mode 1, Recovery in Phase Counting Mode

[1] to [10] are the same as in Figure 21.131.

[11] Set the phase counting mode.

[12] Initialize the pins with TIOR.

[13] Use the MPC and the port mode register (PMR) for the I/O port to set up MTU output.

[14] Restart operation by setting TSTR.

Note: • The phase counting mode can only be selected for MTU1 and MTU2, and therefore TOER setting is not necessary.

(11) Operation When Error Occurs in PWM Mode 1 and Operation is Restarted in Complementary PWM Mode

Figure 21.135 shows a case in which an error occurs in PWM mode 1 and operation is restarted in complementary PWM mode after re-setting.

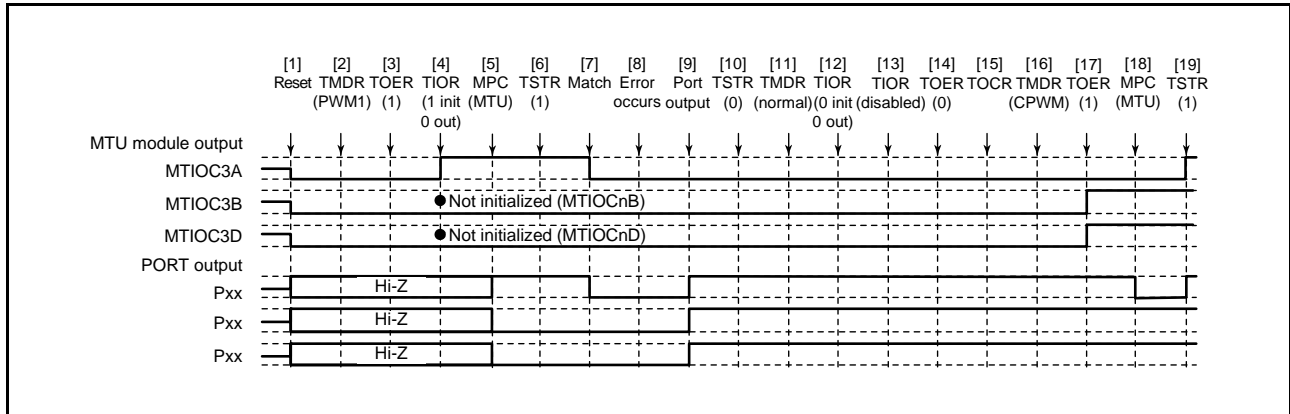


Figure 21.135 Error Occurrence in PWM Mode 1, Recovery in Complementary PWM Mode

[1] to [10] are the same as in Figure 21.131.

[11] Set normal mode to initialize the normal mode waveform generation section.

[12] Initialize the PWM mode 1 waveform generation section with TIOR.

[13] Disable operation of the PWM mode 1 waveform generation section with TIOR

[14] Disable output in MTU3 and MTU4 with TOER.

[15] Select the complementary PWM output level and enable or disable cyclic output with TOCR.

[16] Set complementary PWM mode.

[17] Enable output in MTU3 and MTU4 with TOER.

[18] Use the MPC and the port mode register (PMR) for the I/O port to set up MTU output.

[19] Restart operation by setting TSTR.

(12) Operation When Error Occurs in PWM Mode 1 and Operation is Restarted in Reset-Synchronized PWM Mode

Figure 21.136 shows a case in which an error occurs in PWM mode 1 and operation is restarted in reset-synchronized PWM mode after re-setting.

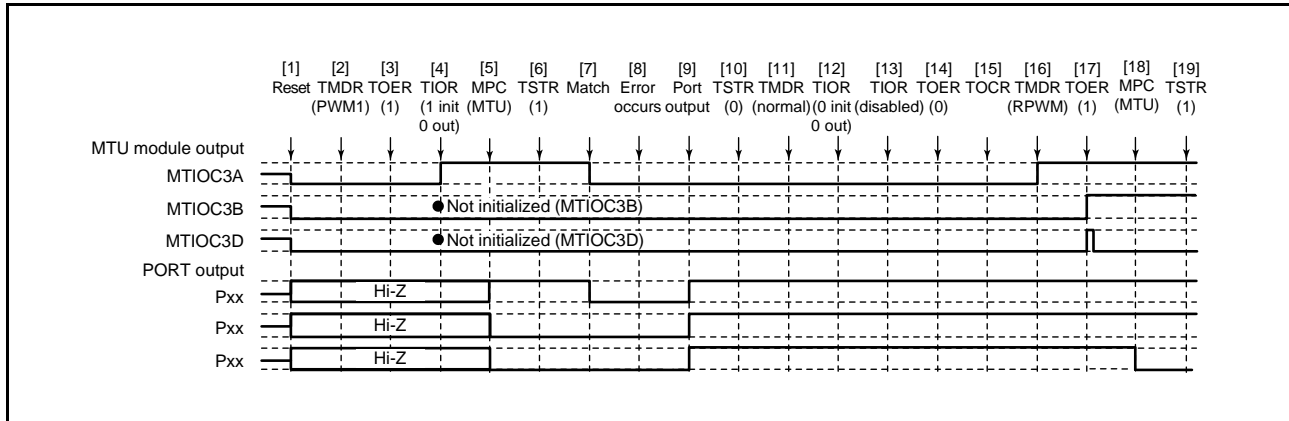


Figure 21.136 Error Occurrence in PWM Mode 1, Recovery in Reset-Synchronized PWM Mode

[1] to [14] are the same as in Figure 21.135.

[15] Select the reset-synchronized PWM output level and enable or disable cyclic output with TOCR.

[16] Set reset-synchronized PWM mode.

[17] Enable output in MTU3 and MTU4 with TOER.

[18] Use the MPC and the port mode register (PMR) for the I/O port to set up MTU output.

[19] Restart operation by setting TSTR.

(13) Operation When Error Occurs in PWM Mode 2 and Operation is Restarted in Normal Mode

Figure 21.137 shows a case in which an error occurs in PWM mode 2 and operation is restarted in normal mode after re-setting.

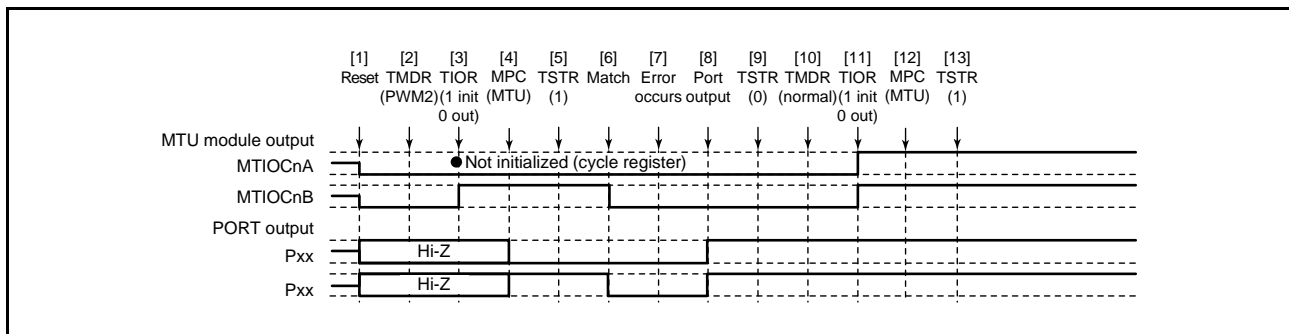


Figure 21.137 Error Occurrence in PWM Mode 2, Recovery in Normal Mode

- [1] After a reset, the MTU output goes low and the ports enter high-impedance state.
- [2] Set PWM mode 2.
- [3] Initialize the pins with TIOR. (In the example, the initial output is a high level, and a low level is output on compare match occurrence. In PWM mode 2, the cycle register pins are not initialized. In the example, MTIOCnA is the cycle register.)
- [4] Use the MPC and the port mode register (PMR) for the I/O port to set up MTU output.
- [5] Start count operation by setting TSTR.
- [6] Output goes low on compare match occurrence.
- [7] An error occurs.
- [8] Use the port direction register (PDR) and port mode register (PMR) for the input port pin to switch it to operate as a general output port pin, and the port output data register (PODR) to select output of the non-active level.
- [9] Stop count operation by setting TSTR.
- [10] Set normal mode.
- [11] Initialize the pins with TIOR.
- [12] Use the MPC and the port mode register (PMR) for the I/O port to set up MTU output.
- [13] Restart operation by setting TSTR.

(14) Operation When Error Occurs in PWM Mode 2 and Operation is Restarted in PWM Mode 1

Figure 21.138 shows a case in which an error occurs in PWM mode 2 and operation is restarted in PWM mode 1 after re-setting.

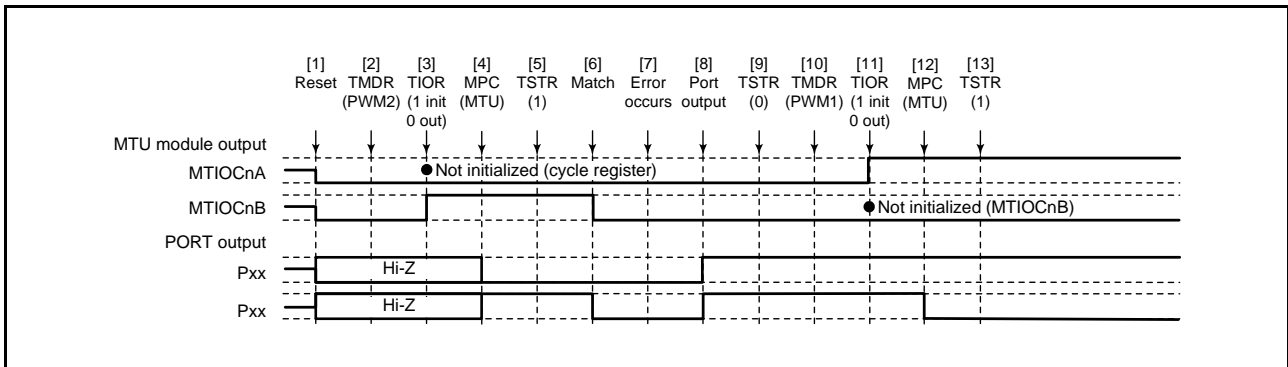


Figure 21.138 Error Occurrence in PWM Mode 2, Recovery in PWM Mode 1

[1] to [9] are the same as in Figure 21.137.

[10] Set PWM mode 1.

[11] Initialize the pins with the TIOR register. (In PWM mode 1, a waveform is not output on the MTIOCnB (MTIOCnD) pins. If a level is to be output, make the required general output port settings in the I/O port's port direction register (PDR) and port output data register (PODR).)

[12] Use the MPC and the port mode register (PMR) for the I/O port to set up MTU output.

[13] Restart operation by setting TSTR.

(15) Operation When Error Occurs in PWM Mode 2 and Operation is Restarted in PWM Mode 2

Figure 21.139 shows a case in which an error occurs in PWM mode 2 and operation is restarted in PWM mode 2 after re-setting.

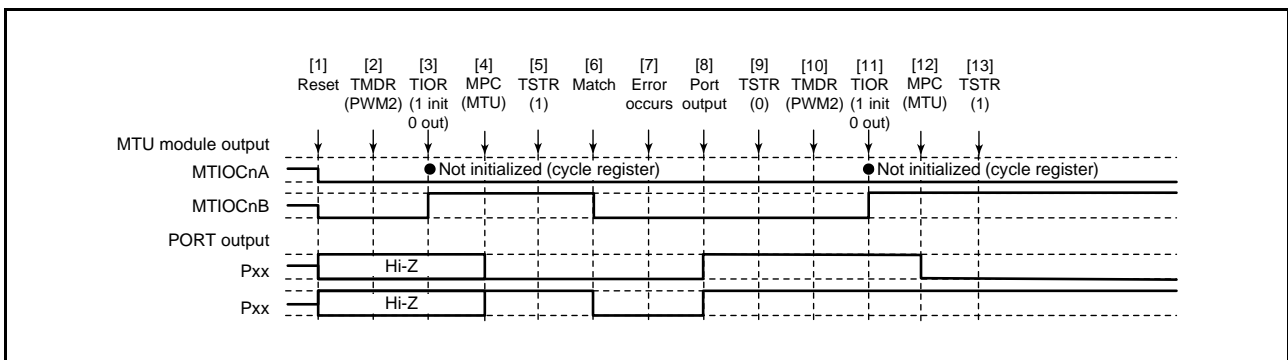


Figure 21.139 Error Occurrence in PWM Mode 2, Recovery in PWM Mode 2

[1] to [9] are the same as in Figure 21.137.

[10] This step is not necessary when restarting in PWM mode 2.

[11] Initialize the pins with the TIOR register. (In PWM mode 2, a waveform is not output on the cycle register pins. If a level is to be output, make the required general output port settings in the I/O port's port direction register (PDR) and port output data register (PODR).)

[12] Use the MPC and the port mode register (PMR) for the I/O port to set up MTU output.

[13] Restart operation by setting TSTR.

(16) Operation When Error Occurs in PWM Mode 2 and Operation is Restarted in Phase Counting Mode

Figure 21.140 shows a case in which an error occurs in PWM mode 2 and operation is restarted in phase counting mode after re-setting.

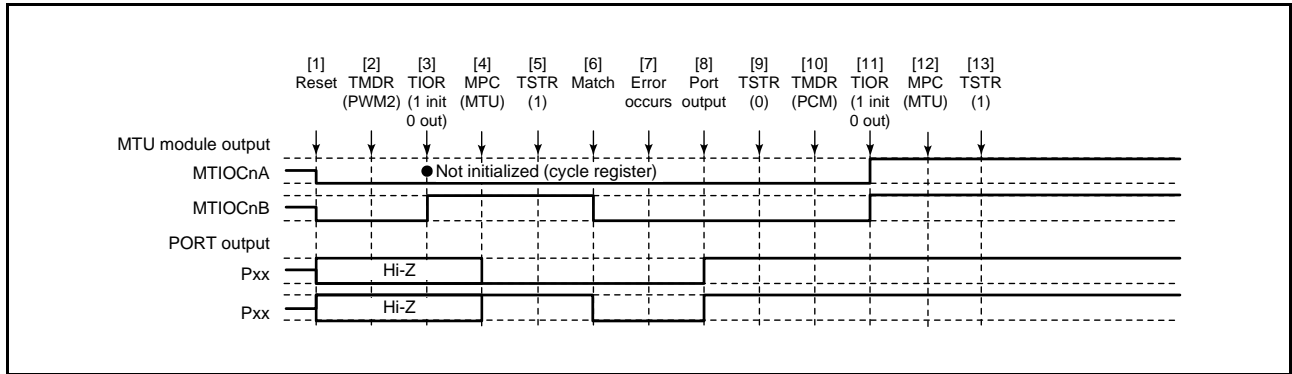


Figure 21.140 Error Occurrence in PWM Mode 2, Recovery in Phase Counting Mode

[1] to [9] are the same as in Figure 21.137.

[10] Set the phase counting mode.

[11] Initialize the pins with TIOR.

[12] Use the MPC and the port mode register (PMR) for the I/O port to set up MTU output.

[13] Restart operation by setting TSTR.

(17) Operation When Error Occurs in Phase Counting Mode and Operation is Restarted in Normal Mode

Figure 21.141 shows a case in which an error occurs in phase counting mode and operation is restarted in normal mode after re-setting.

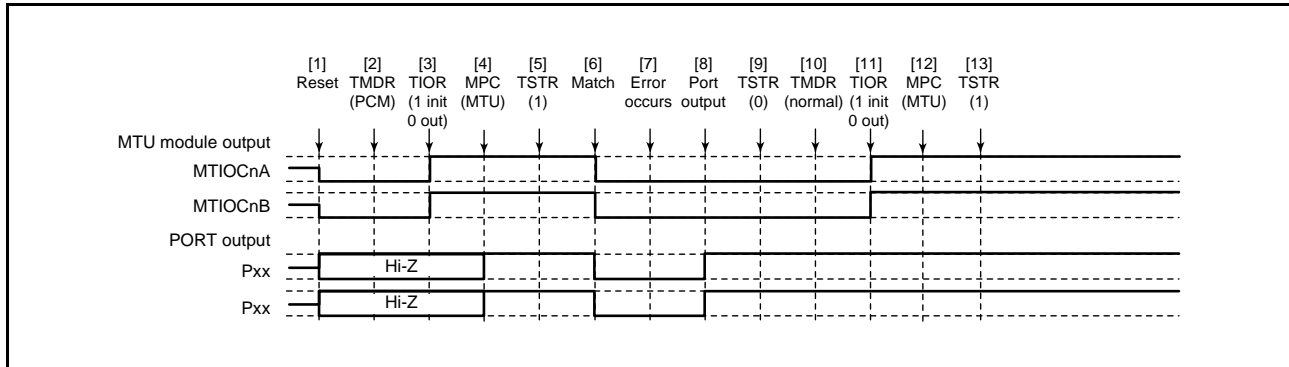


Figure 21.141 Error Occurrence in Phase Counting Mode, Recovery in Normal Mode

- [1] After a reset, the MTU output goes low and the ports enter high-impedance state.
- [2] Set phase counting mode.
- [3] Initialize the pins with TIOR. (In the example, the initial output is a high level, and a low level is output on compare match occurrence.)
- [4] Use the MPC and the port mode register (PMR) for the I/O port to set up MTU output.
- [5] Start count operation by setting TSTR.
- [6] Output goes low on compare match occurrence.
- [7] An error occurs.
- [8] Use the port direction register (PDR) and port mode register (PMR) for the input port pin to switch it to operate as a general output port pin, and the port output data register (PODR) to select output of the non-active level.
- [9] Stop count operation by setting TSTR.
- [10] Set normal mode.
- [11] Initialize the pins with TIOR.
- [12] Use the MPC and the port mode register (PMR) for the I/O port to set up MTU output.
- [13] Restart operation by setting TSTR.

(18) Operation When Error Occurs in Phase Counting Mode and Operation is Restarted in PWM Mode 1

Figure 21.142 shows a case in which an error occurs in phase counting mode and operation is restarted in PWM mode 1 after re-setting.

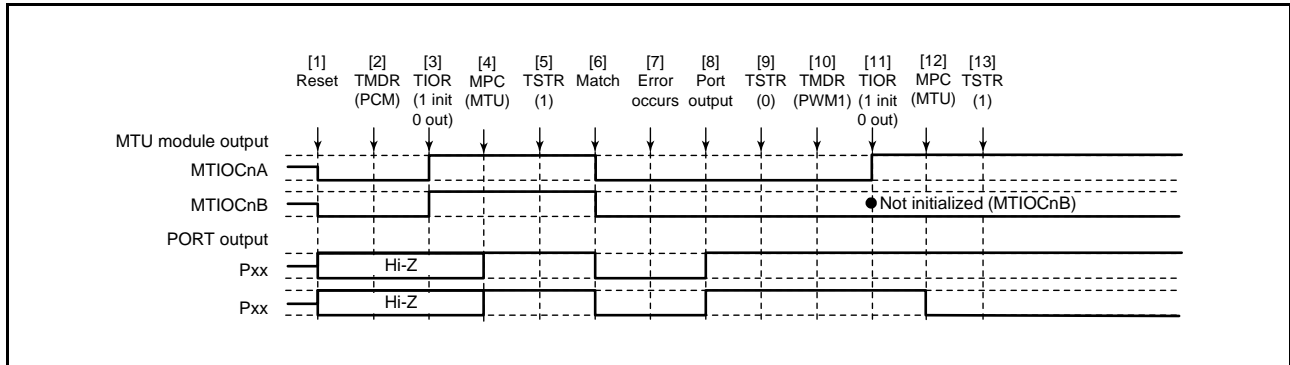


Figure 21.142 Error Occurrence in Phase Counting Mode, Recovery in PWM Mode 1

[1] to [9] are the same as in Figure 21.141.

[10] Set PWM mode 1.

[11] Initialize the pins with the TIOR register. (In PWM mode 1, a waveform is not output on the MTIOCnB (MTIOCnD) pins. If a level is to be output, make the required general output port settings in the I/O port's port direction register (PDR) and port output data register (PODR).)

[12] Use the MPC and the port mode register (PMR) for the I/O port to set up MTU output.

[13] Restart operation by setting TSTR.

(19) Operation When Error Occurs in Phase Counting Mode and Operation is Restarted in PWM Mode 2

Figure 21.143 shows a case in which an error occurs in phase counting mode and operation is restarted in PWM mode 2 after re-setting.

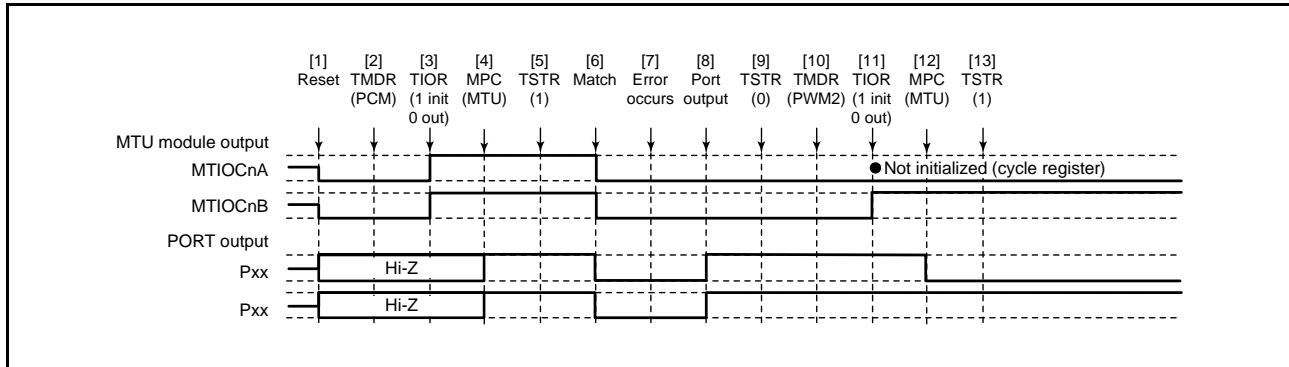


Figure 21.143 Error Occurrence in Phase Counting Mode, Recovery in PWM Mode 2

[1] to [9] are the same as in Figure 21.141.

[10] Set PWM mode 2.

[11] Initialize the pins with the TIOR register. (In PWM mode 1, a waveform is not output on the MTIOCnB (MTIOCnD) pins. If a level is to be output, make the required general output port settings in the I/O port's port direction register (PDR) and port output data register (PODR).)

[12] Use the MPC and the port mode register (PMR) for the I/O port to set up MTU output.

[13] Restart operation by setting TSTR.

(20) Operation When Error Occurs in Phase Counting Mode and Operation is Restarted in Phase Counting Mode

Figure 21.144 shows a case in which an error occurs in phase counting mode and operation is restarted in phase counting mode after re-setting.

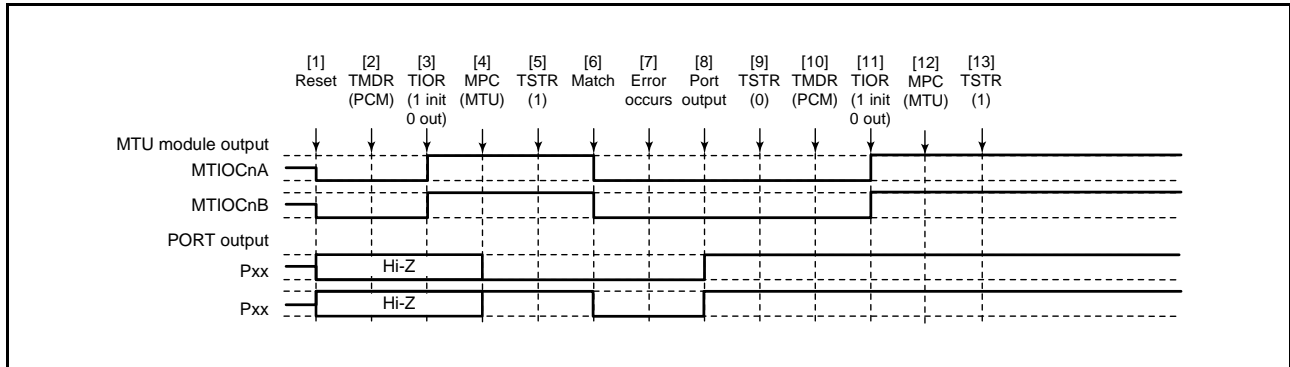


Figure 21.144 Error Occurrence in Phase Counting Mode, Recovery in Phase Counting Mode

[1] to [9] are the same as in Figure 21.141.

[10] This step is not necessary when restarting in phase counting mode.

[11] Initialize the pins with TIOR.

[12] Use the MPC and the port mode register (PMR) for the I/O port to set up MTU output.

[13] Restart operation by setting TSTR.

(21) Operation When Error Occurs in Complementary PWM Mode and Operation is Restarted in Normal Mode

Figure 21.145 shows a case in which an error occurs in complementary PWM mode and operation is restarted in normal mode after re-setting.

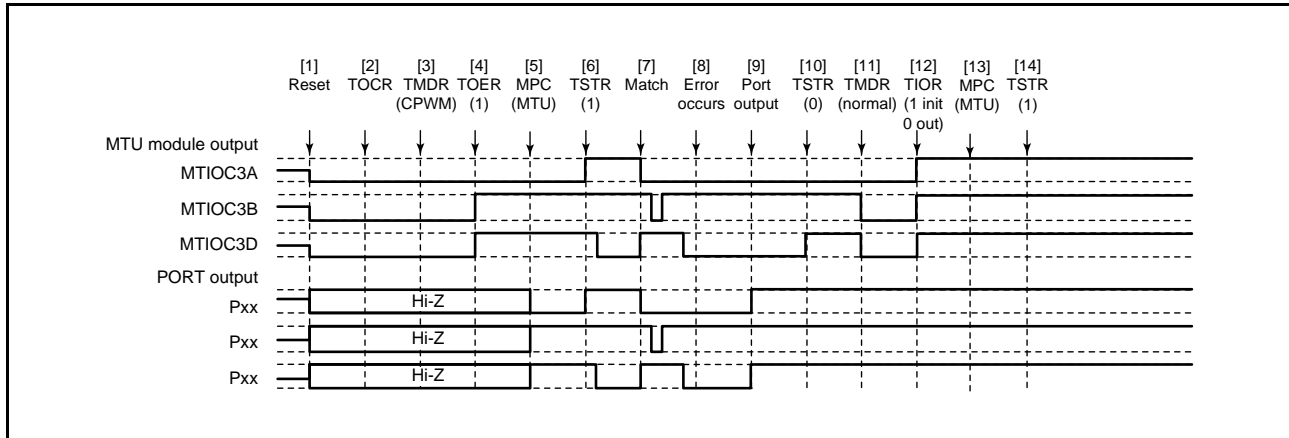


Figure 21.145 Error Occurrence in Complementary PWM Mode, Recovery in Normal Mode

- [1] After a reset, the MTU output goes low and the ports enter high-impedance state.
- [2] Select the complementary PWM output level and enable or disable cyclic output with TOCR.
- [3] Set complementary PWM mode.
- [4] Enable output in MTU3 and MTU4 with TOER.
- [5] Use the MPC and the port mode register (PMR) for the I/O port to set up MTU output.
- [6] Start count operation by setting TSTR.
- [7] The complementary PWM waveform is output on compare match occurrence.
- [8] An error occurs.
- [9] Use the port direction register (PDR) and port mode register (PMR) for the input port pin to switch it to operate as a general output port pin, and the port output data register (PODR) to select output of the non-active level.
- [10] Stop count operation by setting TSTR. (MTU output becomes the initial complementary PWM output value).
- [11] Set normal mode (MTU output goes low).
- [12] Initialize the pins with TIOR.
- [13] Use the MPC and the port mode register (PMR) for the I/O port to set up MTU output.
- [14] Restart operation by setting TSTR.

(22) Operation When Error Occurs in Complementary PWM Mode and Operation is Restarted in PWM Mode 1

Figure 21.146 shows a case in which an error occurs in complementary PWM mode and operation is restarted in PWM mode 1 after re-setting.

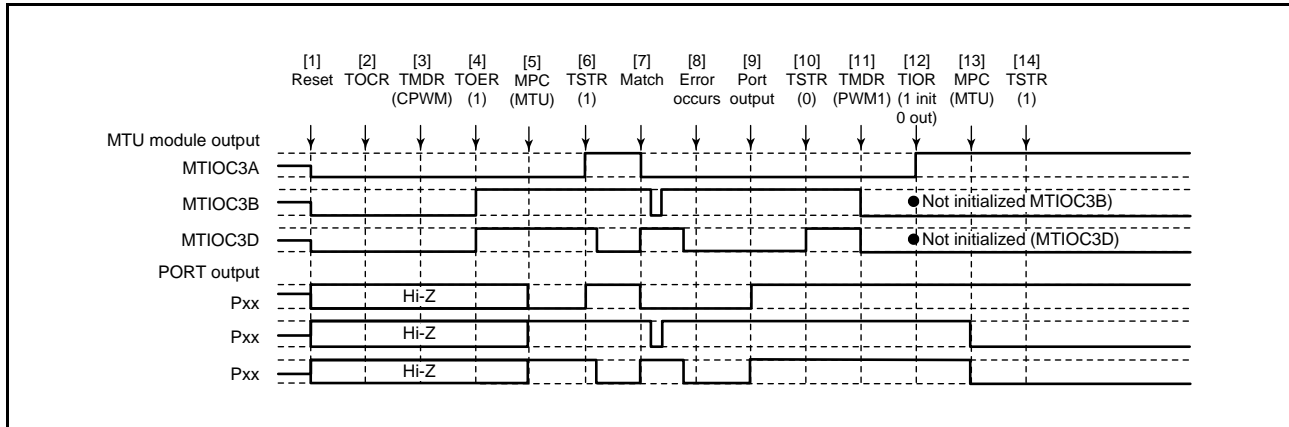


Figure 21.146 Error Occurrence in Complementary PWM Mode, Recovery in PWM Mode 1

[1] to [10] are the same as in Figure 21.145.

[11] Set PWM mode 1 (MTU output goes low).

[12] Initialize the pins with the TIOR register. (In PWM mode 1, a waveform is not output on the MTIOCnB (MTIOCnD) pins. If a level is to be output, make the required general output port settings in the I/O port's port direction register (PDR) and port output data register (PODR).)

[13] Use the MPC and the port mode register (PMR) for the I/O port to set up MTU output.

[14] Restart operation by setting TSTR.

(23) Operation When Error Occurs in Complementary PWM Mode and Operation is Restarted in Complementary PWM Mode

Figure 21.147 shows a case in which an error occurs in complementary PWM mode and operation is restarted in complementary PWM mode after re-setting (when operation is restarted using the cycle and duty settings at the time of stopping the counter).

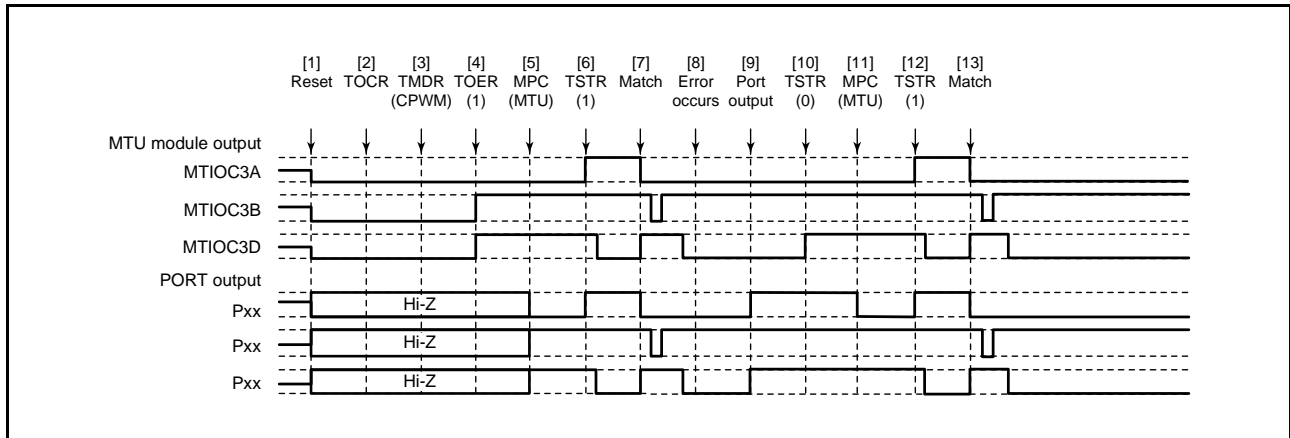


Figure 21.147 Error Occurrence in Complementary PWM Mode, Recovery in Complementary PWM Mode

[1] to [10] are the same as in Figure 21.145.

[11] Use the MPC and the port mode register (PMR) for the I/O port to set up MTU output.

[12] Restart operation by setting TSTR.

[13] The complementary PWM waveform is output on compare match occurrence.

(24) Operation When Error Occurs in Complementary PWM Mode and Operation is Restarted in Complementary PWM Mode with New Settings

Figure 21.148 shows a case in which an error occurs in complementary PWM mode and operation is restarted in complementary PWM mode after re-setting (operation is restarted using new cycle and duty settings).

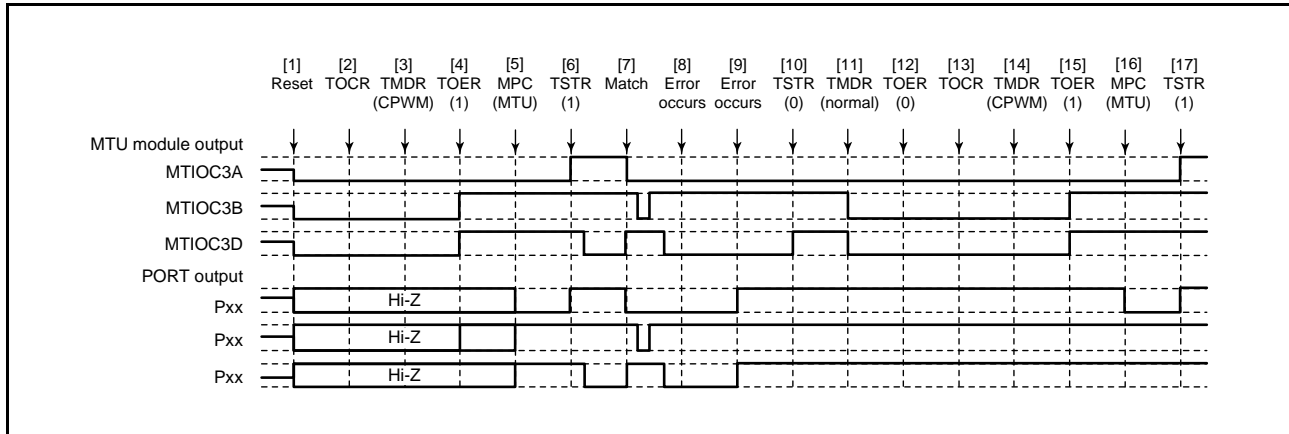


Figure 21.148 Error Occurrence in Complementary PWM Mode, Recovery in Complementary PWM Mode

[1] to [10] are the same as in Figure 21.145.

[11] Set normal mode and make new settings (MTU output goes low).

[12] Disable output in MTU3 and MTU4 with TOER.

[13] Select the complementary PWM output level and enable or disable cyclic output with TOCR.

[14] Set complementary PWM mode.

[15] Enable output in MTU3 and MTU4 with TOER.

[16] Use the MPC and the port mode register (PMR) for the I/O port to set up MTU output.

[17] Restart operation by setting TSTR.

(25) Operation When Error Occurs in Complementary PWM Mode and Operation is Restarted in Reset-Synchronized PWM Mode

Figure 21.149 shows a case in which an error occurs in complementary PWM mode and operation is restarted in reset-synchronized PWM mode after re-setting.

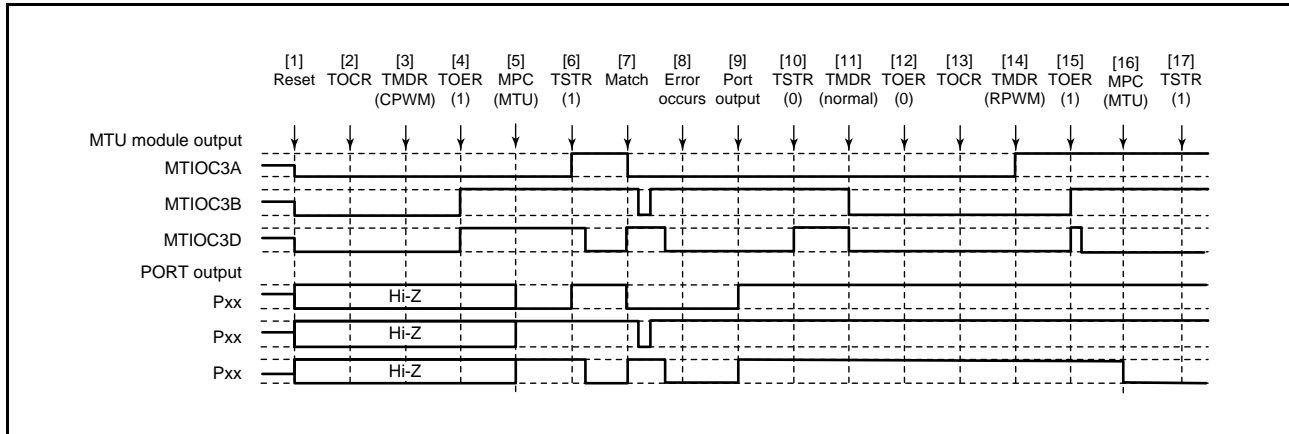


Figure 21.149 Error Occurrence in Complementary PWM Mode, Recovery in Reset-Synchronized PWM Mode

[1] to [10] are the same as in Figure 21.145.

[11] Set normal mode (MTU output goes low).

[12] Disable output in MTU3 and MTU4 with TOER.

[13] Select the reset-synchronized PWM output level and enable or disable cyclic output with TOCR.

[14] Set reset-synchronized PWM mode.

[15] Enable output in MTU3 and MTU4 with TOER.

[16] Use the MPC and the port mode register (PMR) for the I/O port to set up MTU output.

[17] Restart operation by setting TSTR.

(26) Operation When Error Occurs in Reset-Synchronized PWM Mode and Operation is Restarted in Normal Mode

Figure 21.150 shows a case in which an error occurs in reset-synchronized PWM mode and operation is restarted in normal mode after re-setting.

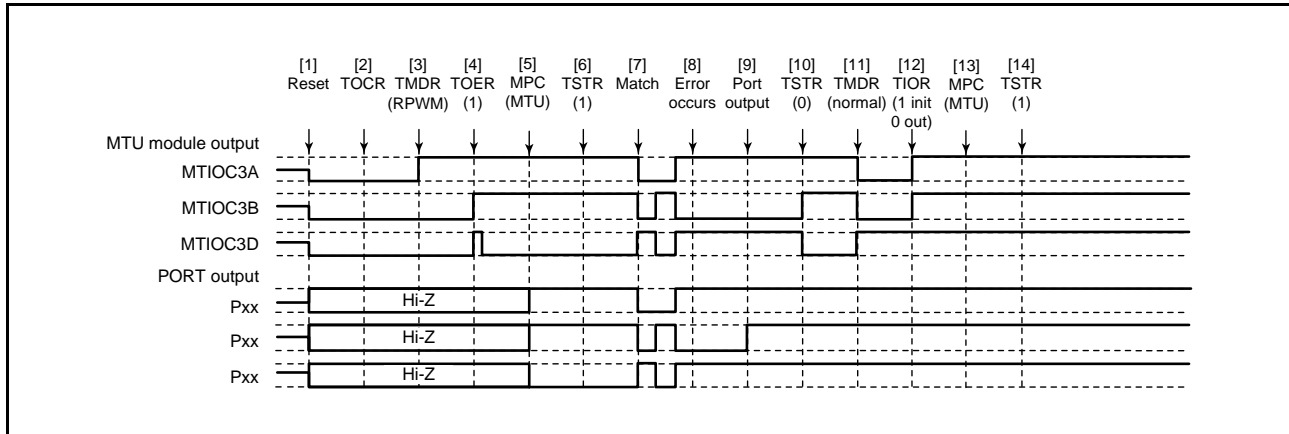


Figure 21.150 Error Occurrence in Reset-Synchronized PWM Mode, Recovery in Normal Mode

- [1] After a reset, the MTU output goes low and the ports enter high-impedance state.
- [2] Select the reset-synchronized PWM output level and enable or disable cyclic output with TOCR.
- [3] Set reset-synchronized PWM mode.
- [4] Enable output in MTU3 and MTU4 with TOER.
- [5] Use the MPC and the port mode register (PMR) for the I/O port to set up MTU output.
- [6] Start count operation by setting TSTR.
- [7] The reset-synchronized PWM waveform is output on compare match occurrence.
- [8] An error occurs.
- [9] Use the port direction register (PDR) and port mode register (PMR) for the input port pin to switch it to operate as a general output port pin, and the port output data register (PODR) to select output of the non-active level.
- [10] Stop count operation by setting TSTR. (MTU output becomes the initial reset-synchronized PWM output value.)
- [11] Set normal mode (positive-phase MTU output goes low, and negative-phase output goes high).
- [12] Initialize the pins with TIOR.
- [13] Use the MPC and the port mode register (PMR) for the I/O port to set up MTU output.
- [14] Restart operation by setting TSTR.

(27) Operation When Error Occurs in Reset-Synchronized PWM Mode and Operation is Restarted in PWM Mode 1

Figure 21.151 shows a case in which an error occurs in reset-synchronized PWM mode and operation is restarted in PWM mode 1 after re-setting.

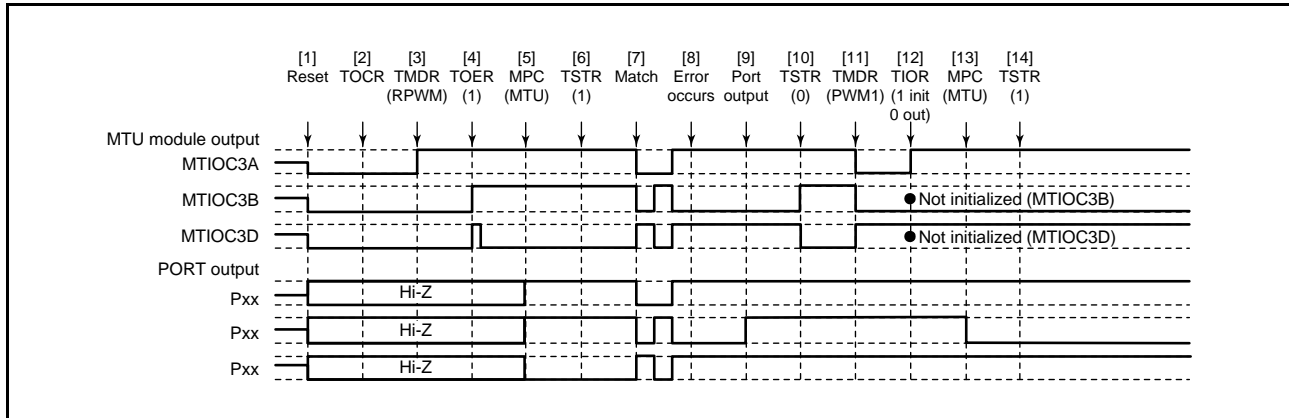


Figure 21.151 Error Occurrence in Reset-Synchronized PWM Mode, Recovery in PWM Mode 1

[1] to [10] are the same as in Figure 21.150.

[11] Set PWM mode 1 (positive-phase MTU output goes low, and negative-phase output goes high).

[12] Initialize the pins with the TIOR register. (In PWM mode 1, a waveform is not output on the MTIOCnB (MTIOCnD) pins. If a level is to be output, make the required general output port settings in the I/O port's port direction register (PDR) and port output data register (PODR).)

[13] Use the MPC and the port mode register (PMR) for the I/O port to set up MTU output.

[14] Restart operation by setting TSTR.

(28) Operation When Error Occurs in Reset-Synchronized PWM Mode and Operation is Restarted in Complementary PWM Mode

Figure 21.152 shows a case in which an error occurs in reset-synchronized PWM mode and operation is restarted in complementary PWM mode after re-setting.

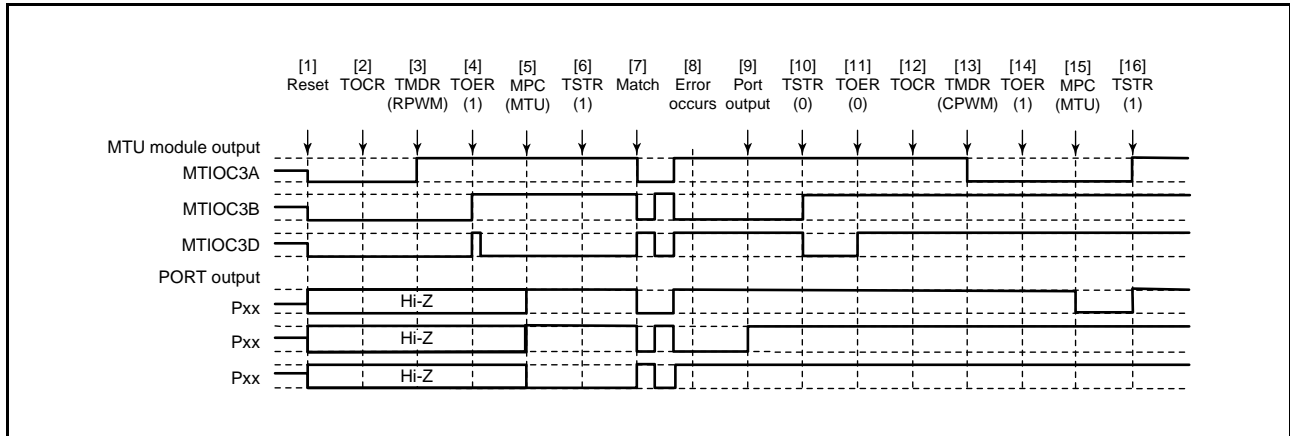


Figure 21.152 Error Occurrence in Reset-Synchronized PWM Mode, Recovery in Complementary PWM Mode

[1] to [10] are the same as in Figure 21.150.

[11] Disable output in MTU3 and MTU4 with TOER.

[12] Select the complementary PWM output level and enable or disable cyclic output with TOCR.

[13] Set complementary PWM mode (MTU cyclic output pin goes low).

[14] Enable output in MTU3 and MTU4 with TOER.

[15] Use the MPC and the port mode register (PMR) for the I/O port to set up MTU output.

[16] Restart operation by setting TSTR.

(29) Operation When Error Occurs in Reset-Synchronized PWM Mode and Operation is Restarted in Reset-Synchronized PWM Mode

Figure 21.153 shows a case in which an error occurs in reset-synchronized PWM mode and operation is restarted in reset-synchronized PWM mode after re-setting.

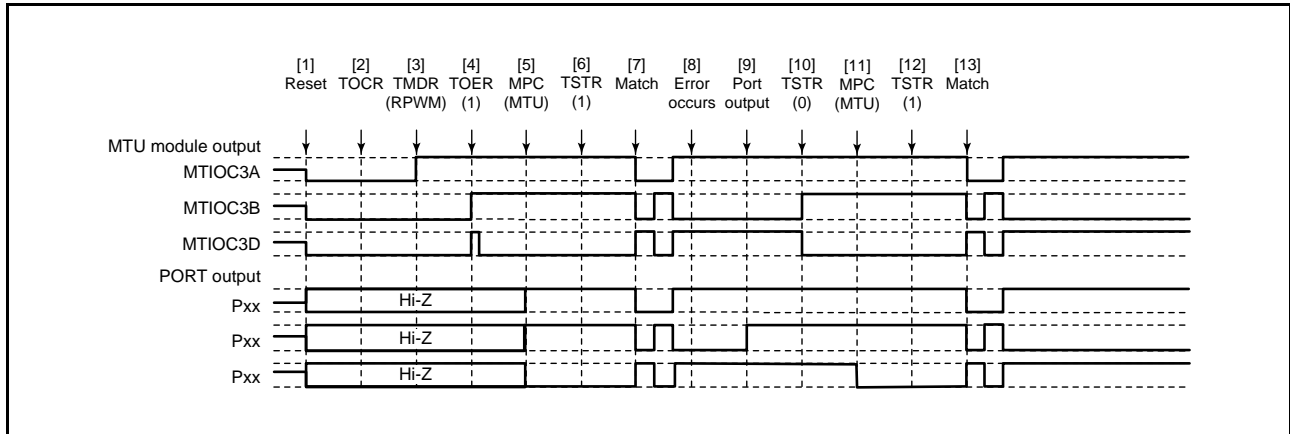


Figure 21.153 Error Occurrence in Reset-Synchronized PWM Mode, Recovery in Reset-Synchronized PWM Mode

[1] to [10] are the same as in Figure 21.150.

[11] Make MPC settings and port mode register (PMR) settings for the I/O port pins to operate as MTU outputs.

[12] Use the TSTR for a restart.

[13] The reset-synchronized PWM waveform is output on compare match occurrence.

21.8 Link Operation by ELC

21.8.1 Event Signal Output to ELC

MTU is capable of link operation for the preliminarily-setting module when interrupt request signal is used as an event signal by the event link controller (ELC).

The event signal is able to output regardless of the settings of the appropriate interrupt request enable bits.

21.8.2 MTU Operation by Event Signal Reception from ELC

MTU can be operated in the following by the preliminarily-setting event.

(1) Count start operation

The MTU is selected the count start operation when using the ELOPA and ELOPB registers setting of the ELC. The ELOPA register functions to channels 1 to 3, and ELOPB register functions to channel 4. TMDR of the channel set by MTU should be set to the value after reset, 00h. When the specified event is generated by the ELSRn register, the TSTR.CSTn bit shown in Table 21.60 is set to 1, then the MTU counter is started.

However, when the specified event is generated while TSTR.CSTn bit is set to 1, the event is disabled. Table 21.60 lists the TSTR register bits used for each channel.

For details on the count start operation setting, see section 21.3.1, (1) Counter Operation.

Table 21.60 Linkage Operating TSTR Register by ELC

Channel No.	TSTR register
Channel 1	TSTR.CST1 bit
Channel 2	TSTR.CST2 bit
Channel 3	TSTR.CST3 bit
Channel 4	TSTR.CST4 bit

(2) Input capture operation

The MTU is selected the input capture operation when using the ELOPA and ELOPB registers setting of the ELC. The ELOPA register handles channels 1 to 3, and ELOPB register handles channel 4. TMDR of the channel set by MTU should be set to the value after reset, 00h. When the specified event is generated by the ELSRn register, then the TCNT counter value capture to TGR register. When using the input capture operation, after setting the bit of MTU TIOR register to the input capture, TSTR.CSTn bit should be set to 1, and start the counter.

Then, the TIOcNA pin (input capture pin) input is disabled.

Table 21.61 lists the timer general register and timer I/O control register used in the input capture operation by ELC.

For details on the input capture setting, see section 21.3.1, (3) Input Capture Function.

Table 21.61 Timer General Register and Timer I/O Control Register used in the Input Capture Operation by ELC

Channel No.	Register Name	Bit Name of TIOR Register
Channel 1	TGRA register	TIOR.IOA[3:0] bits
Channel 2	TGRA register	TIOR.IOA[3:0] bits
Channel 3	TGRA register	TIORH.IOA[3:0] bits
Channel 4	TGRA register	TIORH.IOA[3:0] bits

(3) Counter restart operation

The MTU is selected the count start operation when using the ELOPA and ELOPB registers setting of the ELC. The ELOPA register functions channels 1 to 3, and ELOPB register functions channel 4. TMDR of the channel set by MTU should be set to the value after reset, 00h. When the specified event is generated by the ELSRn register, then the TCNT (timer counter register) value is rewritten to the initial value. When the CSTn bit in the TSTR register is 1, the count operation can be continued. For details on the TSTR.CSTn bit, see Table 21.60.

21.8.3 Usage Notes on MTU by Event Signal Reception from ELC

The following describes usage notes when using MTU by the event link operation.

(1) Count start operation

When the specified event is generated by the ELSRn register while write cycle is performed to the TSTR.CSTn bit, the write cycle is not performed to the TSTR.CSTn bit, and the setting to 1 takes precedence by generated event.

(2) Count restart operation

When the specified event is generated by the ELSRn register while write cycle is performed to the TCNT counter, the write cycle is not performed to the TCNT counter, and count value initialization takes precedence by generated event.

22. Port Output Enable 2 (POE2a)

The port output enable 2 (POE) module can be used to place the states of the pins for complementary PWM output by the MTU (MTIOC3B, MTIOC3D, MTIOC4A, MTIOC4B, MTIOC4C, and MTIOC4D), and the states of pins for MTU0 (MTIOC0A, MTIOC0B, MTIOC0C, and MTIOC0D) in the high-impedance in response to changes in the input levels on the POE0# to POE3# and POE8# pins, in the output levels on pins for complementary PWM output by the MTU, oscillation stop detection by the clock generation circuit, and changes to register settings (SPOER), and changes to event signal from the event link controller (ELC).

It can also generate simultaneous interrupt requests.

22.1 Overview

Table 22.1 lists the specifications of the POE, and Figure 22.1 shows a block diagram of the POE.

Table 22.1 POE Specifications

Item	Description
High-impedance is controlled by the input level detection	<ul style="list-style-type: none"> Falling-edge detection or sampling of the low level 16 times at PCLK/8, PCLK/16, or PCLK/128 can be set for each of the POE0# to POE3# and POE8# input pins. Pins for complementary PWM output from the MTU can be placed in the high-impedance on detection of falling edges or sampling of the low level on the POE0# to POE3# pins. Pins for output from MTU0 can be placed in the high-impedance on detection of falling edges or sampling of the low level on the POE8# pin.
High-impedance is controlled by the output level comparison	<ul style="list-style-type: none"> Levels output on pins for complementary PWM output from the MTU are compared, and when simultaneous output of the active level continues for one or more cycles, the pins can be placed in the high-impedance.
High-impedance is controlled by the oscillation stop detection	<ul style="list-style-type: none"> Pins for complementary PWM output from the MTU and output pins for MTU0 can be placed in the high-impedance when oscillation by the clock generation circuit stops.
High-impedance is controlled by software (registers)	<ul style="list-style-type: none"> Pins for complementary PWM output from the MTU and output pins for MTU0 can be placed in the high-impedance by modifying settings of POE registers.
High-impedance is controlled by an event signal	<ul style="list-style-type: none"> Pins for complementary PWM output from the MTU and output pins for MTU0 can be placed in the high-impedance by an event signal from the event link controller (ELC).
Interrupts	<ul style="list-style-type: none"> Interrupts can be generated in response to the results of POE0# to POE3# and POE8# input-level detection and MTU complementary PWM output-level comparison.

The POE has input-level detection circuits, output-level comparison circuits, an input for the oscillation-stopped detection signal from the clock generation circuit, and a high-impedance request/interrupt request generation circuit as shown in Figure 22.1.

Table 22.2 lists input/output pins to be used by the POE.

Table 22.2 POE Input/Output Pins

Pin Name	I/O	Description
POE0# to POE3#	Input	Request signals to place the pins for MTU complementary PWM output in high-impedance.
POE8#	Input	Request signals to place the MTU0 pins in high-impedance.
MTIOC3B	Output	MTU3 complementary PWM output pin
MTIOC3D	Output	MTU3 complementary PWM output pin
MTIOC4A	Output	MTU4 complementary PWM output pin
MTIOC4B	Output	MTU4 complementary PWM output pin
MTIOC4C	Output	MTU4 complementary PWM output pin
MTIOC4D	Output	MTU4 complementary PWM output pin
MTIOC0A	Output	MTU0 output pin
MTIOC0B	Output	MTU0 output pin
MTIOC0C	Output	MTU0 output pin
MTIOC0D	Output	MTU0 output pin

Table 22.3 lists output-level comparisons with pin combinations.

Table 22.3 Pin Combinations

Pin Combination	I/O	Description
MTIOC3B and MTIOC3D	Output	Pin combinations for output-level comparison and high-impedance control can be selected by POE registers.
MTIOC4A and MTIOC4C	Output	The pins for MTU complementary PWM output are placed in high-impedance when the pins simultaneously output an active level for one or more cycles of PCLK.
MTIOC4B and MTIOC4D	Output	(When the MTU. TOCR1.TOCS bit = 0: Low level if the MTU.TOCR1.OLSP and OLSN bits are 0, and high level if the MTU.TOCR1.OLSP and OLSN bits are 1. When the MTU. TOCR1.TOCS bit = 1: Low level if the MTU.TOCR2.OLS3N, OLS3P, OLS2N, OLS2P, OLS1N and OLS1P bits are 0, and high level if the MTU.TOCR2.OLS3N, OLS3P, OLS2N, OLS2P, OLS1N and OLS1P bits are 1.)

22.2 Register Descriptions

22.2.1 Input Level Control/Status Register 1 (ICSR1)

Address(es): 0008 8900h

b15	b14	b13	b12	b11	b10	b9	b8	b7	b6	b5	b4	b3	b2	b1	b0
POE3F	POE2F	POE1F	POE0F	—	—	—	PIE1	POE3M[1:0]	POE2M[1:0]	POE1M[1:0]	POE0M[1:0]				
Value after reset: 0 0 0 0 0 0 0 0 0 0 0 0 0 0 0 0															

Bit	Symbol	Bit Name	Description	R/W
b1, b0	POE0M[1:0]	POE0 Mode Select	b1 b0 0 0: Accepts a request on the falling edge of POE0# input. 0 1: Accepts a request when POE0# input has been sampled 16 times at PCLK/8 clock pulses and all are low level. 1 0: Accepts a request when POE0# input has been sampled 16 times at PCLK/16 clock pulses and all are low level. 1 1: Accepts a request when POE0# input has been sampled 16 times at PCLK/128 clock pulses and all are low level.	R/W*1
b3, b2	POE1M[1:0]	POE1 Mode Select	b3 b2 0 0: Accepts a request on the falling edge of POE1# input. 0 1: Accepts a request when POE1# input has been sampled 16 times at PCLK/8 clock pulses and all are low level. 1 0: Accepts a request when POE1# input has been sampled 16 times at PCLK/16 clock pulses and all are low level. 1 1: Accepts a request when POE1# input has been sampled 16 times at PCLK/128 clock pulses and all are low level.	R/W*1
b5, b4	POE2M[1:0]	POE2 Mode Select	b5 b4 0 0: Accepts a request on the falling edge of POE2# input. 0 1: Accepts a request when POE2# input has been sampled 16 times at PCLK/8 clock pulses and all are low level. 1 0: Accepts a request when POE2# input has been sampled 16 times at PCLK/16 clock pulses and all are low level. 1 1: Accepts a request when POE2# input has been sampled 16 times at PCLK/128 clock pulses and all are low level.	R/W*1
b7, b6	POE3M[1:0]	POE3 Mode Select	b7 b6 0 0: Accepts a request on the falling edge of POE3# input. 0 1: Accepts a request when POE3# input has been sampled 16 times at PCLK/8 clock pulses and all are low level. 1 0: Accepts a request when POE3# input has been sampled 16 times at PCLK/16 clock pulses and all are low level. 1 1: Accepts a request when POE3# input has been sampled 16 times at PCLK/128 clock pulses and all are low level.	R/W*1
b8	PIE1	Port Interrupt Enable 1	0: OEI1 interrupt requests by the input level detection disabled 1: OEI1 interrupt requests by the input level detection enabled	R/W
b11 to b9	—	Reserved	These bits are read as 0. The write value should be 0.	R/W
b12	POE0F	POE0 Flag	0: Indicates that a high impedance request has not been input to the POE0# pin. 1: Indicates that a high impedance request has been input to the POE0# pin.	R/(W) *2
b13	POE1F	POE1 Flag	0: Indicates that a high impedance request has not been input to the POE1# pin. 1: Indicates that a high impedance request has been input to the POE1# pin.	R/(W) *2
b14	POE2F	POE2 Flag	0: Indicates that a high impedance request has not been input to the POE2# pin. 1: Indicates that a high impedance request has been input to the POE2# pin.	R/(W) *2
b15	POE3F	POE3 Flag	0: Indicates that a high impedance request has not been input to the POE3# pin. 1: Indicates that a high impedance request has been input to the POE3# pin.	R/(W) *2

Note 1. Can be modified only once after a reset.

Note 2. Writing 0 to this bit after reading it as 1 clears the flag and is the only allowed way.

When low-level sampling has been set by the POE0M[1:0] to POE3M[1:0] bits, writing 0 to the POE0F to POE3F flags requires high level input on the POE0# to POE3# pins.
For details, see section 22.3.6, Release from the High-Impedance.

PIE1 Bit (Port Interrupt Enable 1)

This bit enables or disables OEI1 interrupt requests when any one of the POE0F to POE3F flags is set to 1.

POE0F Flag (POE0 Flag)

This flag indicates that a high impedance request has been input to the POE0# pin.
[Clearing condition]

- By writing 0 to POE0F after reading POE0F = 1

[Setting condition]

- When the input set by POE0M[1:0] occurs at the POE0# pin

POE1F Flag (POE1 Flag)

This flag indicates that a high impedance request has been input to the POE1# pin.
[Clearing condition]

- By writing 0 to POE1F after reading POE1F = 1

[Setting condition]

- When the input set by POE1M[1:0] occurs at the POE1# pin

POE2F Flag (POE2 Flag)

This flag indicates that a high impedance request has been input to the POE2# pin.
[Clearing condition]

- By writing 0 to POE2F after reading POE2F = 1

[Setting condition]

- When the input set by POE2M[1:0] occurs at the POE2# pin

POE3F Flag (POE3 Flag)

This flag indicates that a high impedance request has been input to the POE3# pin.
[Clearing condition]

- By writing 0 to POE3F after reading POE3F = 1

[Setting condition]

- When the input set by POE3M[1:0] occurs at the POE3# pin

22.2.2 Output Level Control/Status Register 1 (OCSR1)

Address(es): 0008 8902h

	b15	b14	b13	b12	b11	b10	b9	b8	b7	b6	b5	b4	b3	b2	b1	b0
	OSF1	—	—	—	—	—	OCE1	OIE1	—	—	—	—	—	—	—	—
Value after reset:	0	0	0	0	0	0	0	0	0	0	0	0	0	0	0	0

Bit	Symbol	Bit Name	Description	R/W
b7 to b0	—	Reserved	These bits are read as 0. The write value should be 0.	R/W
b8	OIE1	Output Short Interrupt Enable 1	0: OEI1 interrupt requests by the output level comparison disabled 1: OEI1 interrupt requests by the output level comparison enabled	R/W
b9	OCE1	Output Short High-Impedance Enable 1	0: Does not place the pins in high-impedance. 1: Places the pins in high-impedance.	R/W*1
b14 to b10	—	Reserved	These bits are read as 0. The write value should be 0.	R/W
b15	OSF1	Output Short Flag 1	0: Indicates that outputs have not simultaneously become an active level. 1: Indicates that outputs have simultaneously become an active level.	R/(W) *2

Note 1. Can be modified only once after a reset.

Note 2. Writing 0 to this bit after reading it as 1 clears the flag and is the only allowed way.

OIE1 Bit (Output Short Interrupt Enable 1)

This bit enables or disables OEI1 interrupt requests when the OSF1 flag is set to 1.

OCE1 Bit (Output Short High-Impedance Enable 1)

This bit specifies whether to place the MTU complementary PWM output pins in high-impedance when the OSF1 flag is set to 1.

OSF1 Flag (Output Short Flag 1)

This flag indicates that any one of the three pairs of two-phase outputs for MTU complementary PWM output to be compared in Table 22.3 has simultaneously become an active level. If the PnCZEA (n = 1, 2, 3) bits in POE2CR2 are 0 or the output comparison function of the MTU is not enabled, the OSF1 flag will not be set to 1 even if both pins in the corresponding complementary output pair of the MTU are simultaneously active.

[Clearing condition]

- By writing 0 to OSF1 after reading OSF1 = 1

The complementary output pins for the MTU must be at the inactive level when 0 is written to the flag.

For details, see section 22.3.6, Release from the High-Impedance.

[Setting condition]

- When any one of the three pairs of two-phase outputs has simultaneously become an active level

22.2.3 Input Level Control/Status Register 2 (ICSR2)

Address(es): 0008 8908h

b15	b14	b13	b12	b11	b10	b9	b8	b7	b6	b5	b4	b3	b2	b1	b0
—	—	—	POE8F	—	—	POE8E	PIE2	—	—	—	—	—	—	—	POE8M[1:0]
0	0	0	0	0	0	0	0	0	0	0	0	0	0	0	0

Value after reset:

Bit	Symbol	Bit Name	Description	R/W
b1, b0	POE8M[1:0]	POE8 Mode Select	b1 b0 0 0: Accepts a request on the falling edge of POE8# input 0 1: Accepts a request when POE8# input has been sampled 16 times at PCLK/8 clock pulses and all are low level. 1 0: Accepts a request when POE8# input has been sampled 16 times at PCLK/16 clock pulses and all are low level. 1 1: Accepts a request when POE8# input has been sampled 16 times at PCLK/128 clock pulses and all are low level.	R/W*1
b7 to b2	—	Reserved	These bits are read as 0. The write value should be 0.	R/W
b8	PIE2	Port Interrupt Enable 2	0: OEI2 interrupt requests disabled 1: OEI2 interrupt requests enabled	R/W
b9	POE8E	POE8 High-Impedance Enable	0: Does not place the MTIOC0A, MTIOC0B, MTIOC0C, and MTIOC0D pins in high-impedance. 1: Places the MTIOC0A, MTIOC0B, MTIOC0C, and MTIOC0D pins in high-impedance.	R/W*1
b11, b10	—	Reserved	These bits are read as 0. The write value should be 0.	R/W
b12	POE8F	POE8 Flag	0: Indicates that a high impedance request has not been input to the POE8# pin. 1: Indicates that a high impedance request has been input to the POE8# pin.	R/(W) *2
b15 to b13	—	Reserved	These bits are read as 0. The write value should be 0.	R/W

Note 1. Can be modified only once after a reset.

Note 2. Writing 0 to this bit after reading it as 1 clears the flag and is the only allowed way.

PIE2 Bit (Port Interrupt Enable 2)

This bit enables or disables OEI2 interrupt requests when the POE8F flag is set to 1.

POE8E Bit (POE8 High-Impedance Enable)

This bit specifies whether to place the MTU0 pins in high-impedance when the POE8F flag is set to 1.

POE8F Flag (POE8 Flag)

This flag indicates that a high impedance request has been input to the POE8# pin.

[Clearing condition]

Writing 0 to POE8F after reading POE8F = 1

When writing 0 to the flag while low-level sampling is selected for the POE8M[1:0] bits, the POE8# pin input must be at the high level.

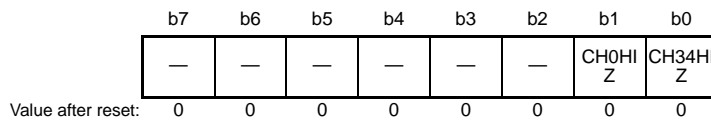
For details, see section 22.3.6, Release from the High-Impedance.

[Setting condition]

- When the input set by POE8M[1:0] occurs at the POE8# pin

22.2.4 Software Port Output Enable Register (SPOER)

Address(es): 0008 890Ah



Bit	Symbol	Bit Name	Description	R/W
b0	CH34HIZ	MTU3 and MTU4 Output High-Impedance Enable	0: Does not place the pins in high-impedance. 1: Places the pins in high-impedance.	R/W
b1	CH0HIZ	MTU0 Output High-Impedance Enable	0: Does not place the pins in high-impedance. 1: Places the pins in high-impedance.	R/W
b7 to b2	—	Reserved	These bits are read as 0. The write value should be 0.	R/W

CH34HIZ Bit (MTU3 and MTU4 Output High-Impedance Enable)

This bit specifies whether to place the MTU complementary PWM output pins (MTIOC3B, MTIOC3D, MTIOC4A, MTIOC4B, MTIOC4C, MTIOC4D) in high-impedance.

[Clearing condition]

- By writing 0 to CH34HIZ after reading CH34HIZ = 1

[Setting conditions]

- By writing 1 to CH34HIZ
- When an event signal from the event link controller (ELC) is received

CH0HIZ Bit (MTU0 Output High-Impedance Enable)

This bit specifies whether to place the MTU0 pins (MTIOC0A, MTIOC0B, MTIOC0C, MTIOC0D) in high-impedance.

[Clearing condition]

- By writing 0 to CH0HIZ after reading CH0HIZ = 1

[Setting conditions]

- By writing 1 to CH0HIZ
- When an event signal from the event link controller (ELC) is received

22.2.5 Port Output Enable Control Register 1 (POE2CR1)

Address(es): 0008 890Bh

b7	b6	b5	b4	b3	b2	b1	b0
—	—	—	—	PE3ZE	PE2ZE	PE1ZE	PE0ZE

Value after reset: 0 0 0 0 0 0 0 0

Bit	Symbol	Bit Name	Description	R/W
b0	PE0ZE	MTIOC0A High-Impedance Enable	0: Does not place the pin in high-impedance. 1: Places the pin in high-impedance.	R/W*1
b1	PE1ZE	MTIOC0B High-Impedance Enable	0: Does not place the pin in high-impedance. 1: Places the pin in high-impedance.	R/W*1
b2	PE2ZE	MTIOC0C High-Impedance Enable	0: Does not place the pin in high-impedance. 1: Places the pin in high-impedance.	R/W*1
b3	PE3ZE	MTIOC0D High-Impedance Enable	0: Does not place the pin in high-impedance. 1: Places the pin in high-impedance.	R/W*1
b7 to b4	—	Reserved	These bits are read as 0. The write value should be 0.	R/W

Note 1. Can be modified only once after a reset.

22.2.6 Port Output Enable Control Register 2 (POECR2)

Address(es): 0008 890Ch

	b7	b6	b5	b4	b3	b2	b1	b0
	—	P1CZEA	P2CZEA	P3CZEA	—	—	—	—
Value after reset:	0	1	1	1	0	0	0	0

Bit	Symbol	Bit Name	Description	R/W
b3 to b0	—	Reserved	These bits are read as 0. The write value should be 0.	R/W
b4	P3CZEA	MTU Port 3 High-Impedance Enable	0: Comparison of output levels does not proceed and the pins are not placed in the high-impedance. 1: The pins are placed in the high-impedance.	R/W*1
b5	P2CZEA	MTU Port 2 High-Impedance Enable	0: Comparison of output levels does not proceed and the pins are not placed in the high-impedance. 1: The pins are placed in the high-impedance.	R/W*1
b6	P1CZEA	MTU Port 1 High-Impedance Enable	0: Comparison of output levels does not proceed and the pins are not placed in the high-impedance. 1: The pins are placed in the high-impedance.	R/W*1
b7	—	Reserved	This bit is read as 0. The write value should be 0.	R/W

Note 1. Can be modified only once after a reset.

When this function is not used, write 00h to this register.

P3CZEA Bit (MTU Port 3 High-Impedance Enable)

This bit gives permission regarding whether or not the MTIOC4B and MTIOC4D pins for complementary PWM output from the MTU are placed in the high-impedance. It also gives permission regarding whether or not the levels on the MTIOC4B and MTIOC4D pins are compared.

P2CZEA Bit (MTU Port 2 High-Impedance Enable)

This bit gives permission regarding whether or not the MTIOC4A and MTIOC4C pins for complementary PWM output from the MTU are placed in the high-impedance. It also gives permission regarding whether or not the levels on the MTIOC4A and MTIOC4C pins are compared.

P1CZEA Bit (MTU Port 1 High-Impedance Enable)

This bit gives permission regarding whether or not the MTIOC3B and MTIOC3D pins for complementary PWM output from the MTU are placed in the high-impedance. It also gives permission regarding whether or not the levels on the MTIOC3B and MTIOC3D pins are compared.

22.2.7 Input Level Control/Status Register 3 (ICSR3)

Address(es): 0008 890Eh

b15	b14	b13	b12	b11	b10	b9	b8	b7	b6	b5	b4	b3	b2	b1	b0
—	—	—	OSTST F	—	—	OSTST E	—	—	—	—	—	—	—	—	—
Value after reset:	0	0	0	0	0	0	0	0	0	0	0	0	0	0	0

Bit	Symbol	Bit Name	Description	R/W
b8 to b0	—	Reserved	These bits are read as 0. The write value should be 0.	R/W
b9	OSTSTE	OSTST High-Impedance Enable	0: Does not place the MTIOC0A, MTIOC0B, MTIOC0C, MTIOC0D, MTIOC3B, MTIOC3D, MTIOC4A, MTIOC4B, MTIOC4C, and MTIOC4D pins in high-impedance. 1: Places the MTIOC0A, MTIOC0B, MTIOC0C, MTIOC0D, MTIOC3B, MTIOC3D, MTIOC4A, MTIOC4B, MTIOC4C, and MTIOC4D pins in high-impedance.	R/W*1
b11, b10	—	Reserved	These bits are read as 0. The write value should be 0.	R/W
b12	OSTSTF	OSTST High-Impedance Flag	0: Oscillation stop is not producing a request to place pins in the high-impedance. 1: Oscillation stop is producing a request to place pins in the high-impedance.	R/(W) *2
b15 to b13	—	Reserved	These bits are read as 0. The write value should be 0.	R/W

Note 1. Can be modified only once after a reset.

Note 2. Writing 0 to this bit after reading it as 1 clears the flag and is the only allowed way.

OSTSTE Bit (OSTST High-Impedance Enable)

This bit permits or prohibits placement of pins for complementary PWM output from MTU and output pins for MTU0 in the high-impedance on detection that oscillation has stopped.

OSTSTF Flag (OSTST High-Impedance Flag)

The OSTSTF flag is a status flag that indicates the state of requests to place pins in the high-impedance due to oscillation having stopped. The value of the flag becomes 1 when oscillation stops. Ensure that the oscillation-stopped detection signal is negated when clearing the flag by writing 0 to it. Writing 0 to the OSTSTF flag will not clear the flag while the oscillation-stopped detection signal is being asserted; in other words, it will not clear the flag before 10 PCLK cycles have elapsed after stopped oscillation was detected.

[Clearing condition]

- Writing 0 to the bit after having read its value as 1.

[Setting condition]

- Detection of the oscillation-stopped state

22.3 Operation

The target pins for high-impedance control and conditions to place the pins in high-impedance are described below.

(1) MTU0 pin (MTIOC0A)

When any of the following conditions is satisfied, the pin is placed to the high-impedance state.

- POE8# input level detection
When ICSR2.POE8F flag is set to 1 with POECR1.PE0ZE and ICSR2.POE8E set to 1.
- SPOER setting
When SPOER.CH0HIZ bit is set to 1 with POECR1.PE0ZE set to 1.
- Detection of stopped oscillation
When OSTSTF flag is set to 1 with POECR1.PE0ZE and ICSR3.OSTSTE set to 1.
- Event reception from the ELC

(2) MTU0 pin (MTIOC0B)

When any of the following conditions is satisfied, the pin is placed to the high-impedance state.

- POE8# input level detection
When ICSR2.POE8F flag is set to 1 with POECR1.PE1ZE and ICSR2.POE8E set to 1.
- SPOER setting
When SPOER.CH0HIZ bit is set to 1 with POECR1.PE1ZE set to 1.
- Detection of stopped oscillation
When OSTSTF flag is set to 1 with POECR1.PE1ZE and ICSR3.OSTSTE set to 1.
- Event reception from the ELC

(3) MTU0 pin (MTIOC0C)

When any of the following conditions is satisfied, the pin is placed to the high-impedance state.

- POE8# input level detection
When ICSR2.POE8F flag is set to 1 with POECR1.PE2ZE and ICSR2.POE8E set to 1.
- SPOER setting
When SPOER.CH0HIZ bit is set to 1 with POECR1.PE2ZE set to 1.
- Detection of stopped oscillation
When OSTSTF flag is set to 1 with POECR1.PE2ZE and ICSR3.OSTSTE set to 1.
- Event reception from the ELC

(4) MTU0 pin (MTIOC0D)

When any of the following conditions is satisfied, the pin is placed to the high-impedance state.

- POE8# input level detection
When ICSR2.POE8F flag is set to 1 with POECR1.PE3ZE and ICSR2.POE8E set to 1.
- SPOER setting
When SPOER.CH0HIZ bit is set to 1 with POECR1.PE3ZE set to 1.
- Detection of stopped oscillation
When OSTSTF flag is set to 1 with POECR1.PE3ZE and ICSR3.OSTSTE set to 1.
- Event reception from the ELC

(5) MTU3 pins (MTIOC3B and MTIOC3D)

When any of the following conditions is satisfied, the pins are placed to the high-impedance state.

- POE0# to POE3# input level detection
When ICSR1.POE3F, POE2F, POE1F, or POE0F flag is set to 1 with POECR2.PICZEA set to 1.

- MTIOC3B and MTIOC3D output level comparison
When OCSR1.OSF1 flag is set to 1 with POECR2.P1CZEA and OCSR1.OCE1 set to 1.
- SPOER setting
When SPOER.CH34HIZ bit is set to 1 with POECR2.P1CZEA set to 1.
- Detection of stopped oscillation
When ICSR3.OSTSTF flag is set to 1 with POECR2.P1CZEA and ICSR3.OSTSTE set to 1.
- Event reception from the ELC

(6) MTU4 pins (MTIOC4A and MTIOC4C)

When any of the following conditions is satisfied, the pins are placed to the high-impedance state.

- POE0# to POE3# input level detection
When ICSR1.POE3F, POE2F, POE1F, or POE0F flag is set to 1 with POECR2.P2CZEA set to 1.
- MTIOC4A and MTIOC4C output level comparison
When OCSR1.OSF1 flag is set to 1 with POECR2.P2CZEA and OCSR1.OCE1 set to 1.
- SPOER setting
When SPOER.CH34HIZ bit is set to 1 with POECR2.P2CZEA set to 1.
- Detection of stopped oscillation
When ICSR3.OSTSTF flag is set to 1 with POECR2.P2CZEA and ICSR3.OSTSTE set to 1.
- Event reception from the ELC

(7) MTU4 pins (MTIOC4B and MTIOC4D)

When any of the following conditions is satisfied, the pins are placed to the high-impedance state.

- POE0# to POE3# input level detection
When ICSR1.POE3F, POE2F, POE1F, or POE0F flag is set to 1 with POECR2.P3CZEA set to 1.
- MTIOC4B and MTIOC4D output level comparison
When OCSR1.OSF1 flag is set to 1 with POECR2.P3CZEA and OCSR1.OCE1 set to 1.
- SPOER setting
When SPOER.CH34HIZ bit is set to 1 with POECR2.P3CZEA set to 1.
- Detection of stopped oscillation
When ICSR3.OSTSTF flag is set to 1 with POECR2.P3CZEA and ICSR3.OSTSTE set to 1.
- Event reception from the ELC

22.3.1 Input Level Detection Operation

If the input conditions set by ICSR1 and ICSR2 occur on the POE0# to POE3# and POE8# pins, the pins for the MTU complementary PWM output and MTU0 are placed in high-impedance.

(1) Falling Edge Detection

When a change from a high to low level is input to the POE0# to POE3# and POE8# pins, the pins for the MTU complementary PWM output and MTU0 are placed in high-impedance.

A falling edge is detected after PCLK causes sampling to proceed. If the low level is input to the POE0# to POE3# or POE8# pin over less than one full cycle of PCLK, whether the falling edge will or will not be detected cannot be guaranteed.

Figure 22.2 shows the timing of sampling after the level changes in input to the POE0# to POE3# and POE8# pins until the respective pins enter high-impedance.

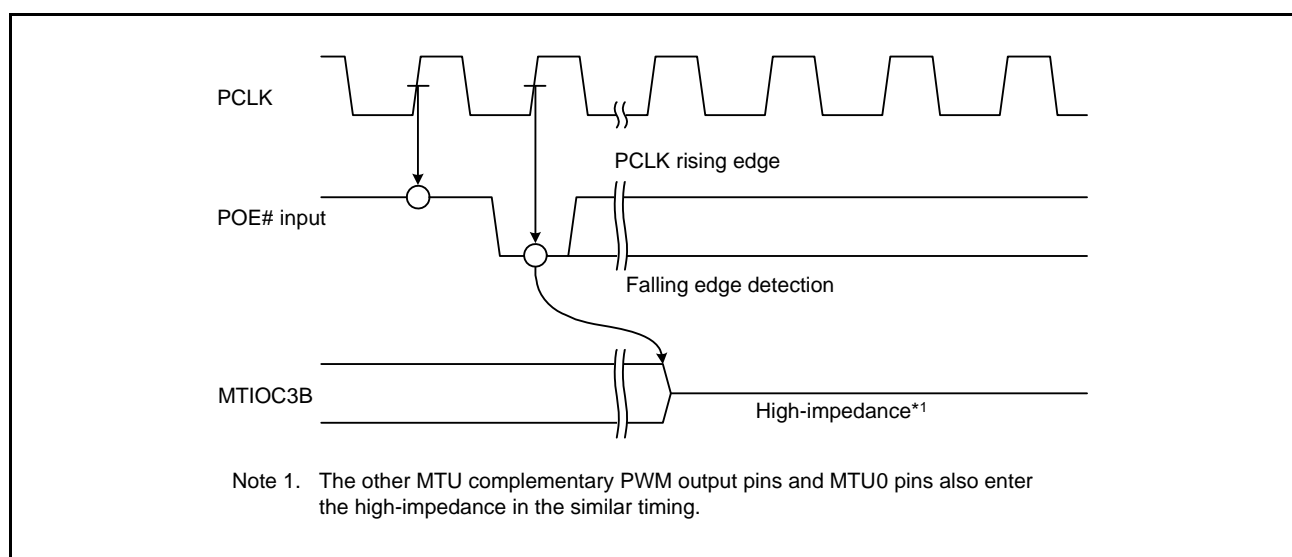


Figure 22.2 Falling Edge Detection

(2) Low-Level Detection

Figure 22.3 shows the low-level detection operation. Sixteen continuous low levels are sampled with the sampling clock selected by ICSR1 and ICSR2. If even one high level is detected during this interval, the low level is not accepted. Furthermore, in an interval over which the sampling clock is not being output, changes to the levels on the POE0# to POE3# and POE8# pins are ignored.

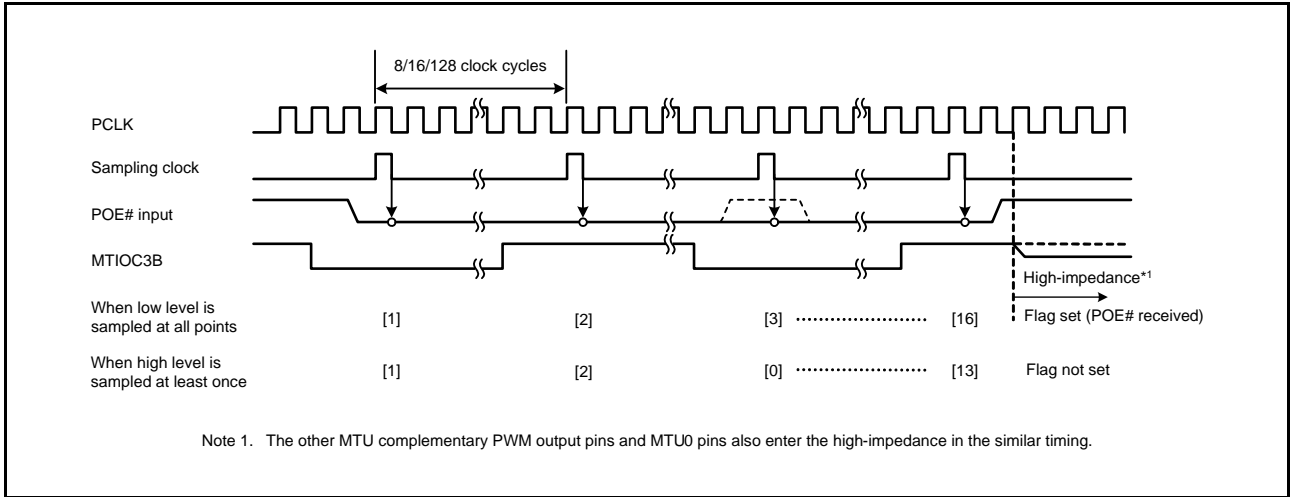


Figure 22.3 Low-Level Detection Operation

22.3.2 Output-Level Compare Operation

Figure 22.4 shows an example of the output-level compare operation for the combination of MTIOC3B and MTIOC3D (MTU complementary PWM output pins). The operation is the same for the other pin combinations.

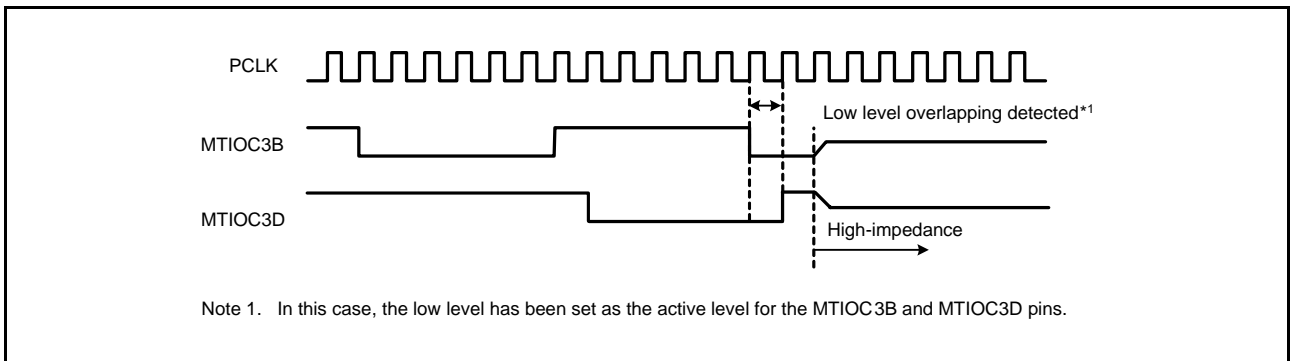


Figure 22.4 Output-Level Compare Operation

22.3.3 High-Impedance Control Using Registers

The high-impedance of the MTU complementary PWM output and MTU0 pins can be directly controlled using the software port output enable register (SPOER).

Setting the CH34HIZ bit in SPOER to 1 places the MTU complementary PWM output pins (MTU3 and MTU4) specified by the port output enable control register 2 (POECR2) in the high-impedance.

Setting the CH0HIZ bit in SPOER to 1 places the MTU0 output pins specified by the port output enable control register 1 (POECR1) in the high-impedance.

22.3.4 High-Impedance Control on Detection of Stopped Oscillation

When the oscillation-stop detection circuit in the clock pulse generator detects stopped oscillation, pins for complementary PWM output by POECR2 and the MTU0 output pins specified by POECR1 are placed in the high-impedance.

22.3.5 When Event Signals Received from the ELC Control the High-Impedance

Pins for complementary PWM output from the MTU and output pins for MTU0 can be placed in high-impedance by an event signal from the event link controller (ELC).

When the ELC is used to control high-impedance of pins for complementary PWM output from the MTU and output pins for MTU0, the each bits of the POECR1 and POECR2 registers should be set to 1. Then, when an event signal is input, the corresponding bit of the SPOER register (CH0HIZ or CH34HIZ) is set to 1 and pins for complementary PWM output from the MTU or output pins for MTU0 become the high impedance.

22.3.6 Release from the High-Impedance

Pins for complementary PWM output from MTU and pins for MTU0 which have been placed in the high-impedance due to input-level detection can be released from that state by either returning them to their initial state with a reset or clearing all of the POE3F to POE0F flags in ICSR1 and the POE8F flag in ICSR2. Note, however, that when low-level sampling is selected by the POE3M[1:0] to POE0M[1:0] bits in ICSR1 and the POE8M[1:0] bits in ICSR2, if a high level is being input to the corresponding pin from among POE0# to POE3# and POE#8 but has not yet been sampled, writing 0 to the flag is ignored (the flag is not cleared).

MTU complementary PWM output pins which have been placed in the high-impedance due to output-level comparison can be released from that state by either returning them to their initial state with a reset or clearing the OSF1 flag in OCSR1. Note, however, that if the inactive level is not yet being output from the MTU complementary PWM output pins, writing 0 to the flag is ignored (the flag is not cleared). Inactive-level outputs can be obtained by setting the MTU registers.

For MTU complementary PWM output pins and pins for MTU0 that have been placed in the high-impedance because oscillation by the clock generation circuit has stopped, clearing the OSTSTF or OSTSTE bit in ICSR3 releases the pins from the high-impedance.

For MTU complementary PWM output pins and pins for MTU0 that have been placed in the high-impedance by the SPOER.CH34HIZ or SPOER.CH0HIZ bit, clearing the corresponding bits (SPOER, CH34HIZ and CH0HIZ) releases the pins from the high-impedance.

22.4 Interrupts

The POE issues a request to generate an interrupt when the corresponding condition below is matched during input-level detection, output-level comparison, or oscillation stop by the clock generation circuit. Table 22.4 shows the interrupt sources and their request conditions.

On acceptance of an OEI1 or OEI2 interrupt, the first line of the exception handling routine for the given interrupt should confirm that the flag for the given flag has been set to 1.

Table 22.4 Interrupt Sources and Conditions

Name	Interrupt Source	Interrupt Flag	Condition
OEI1	Output enable interrupt 1	POE0F, POE1F, POE2F, POE3F, OSF1	When ICSR1.POE0F, POE1F, POE2F, or POE3F flag is set to 1 with ICSR1.PIE1 set to 1, or when OCSR1.OSF1 flag is set to 1 with OCSR1.OIE1 set to 1.
OEI2	Output enable interrupt 2	POE8F	When ICSR2.POE8F flag is set to 1 with ICSR2.PIE2 set to 1.

22.5 Usage Notes

22.5.1 Transitions to Software Standby Mode or Deep Standby Mode

When the POE is used, do not make a transition to software standby mode or deep software standby mode. In these modes, the POE stops and thus the high-impedance of pins cannot be controlled.

22.5.2 When POE is not Used

When the POE is not used, write 00h to the port output enable control registers 1 and 2 (POECR1 and POECR2), respectively.

22.5.3 Specifying Pins Corresponding to the MTU

The POE controls high-impedance outputs only when a pin has been specified so that the pin corresponds to the MTU by setting the port mode register (PMR). When the pin has been specified as a general I/O pin, the POE does not control high-impedance outputs.

22.5.4 Point for Caution When Event Signals Received from the ELC Control the High-Impedance

The event signal takes priority when there is contention between writing of 0 to the SPOER.CH34HIZ or SPOER.CH0HIZ bit and reception of an event signal, and the value of the given bit becomes 1. If pins for complementary PWM output from the MTU or output pins from MTU0 have become high impedance due to event signals received from the ELC, an interrupt request will not be generated.

23. 16-Bit Timer Pulse Unit (TPUa)

The RX210 Group has an on-chip 16-bit timer pulse unit (TPU).
Products with 144 or more pins incorporate a TPU.

23.1 Overview

Specifications of the TPU are listed in Table 23.1. Functions of TPU are listed in Table 23.2.
Figure 23.1 shows a block diagram of TPU.

Table 23.1 Specifications of TPU

Item	Description
Pulse input/output	Maximum 16
Count clock	Seven or eight types are provided for each channel.
Settable operations	<ul style="list-style-type: none"> • Waveform output at compare match • Input capture function (noise filters can be set) • Counter clear operation • Simultaneous writing to multiple timer counters (TCNT) • Simultaneous clearing by compare match and input capture • Synchronous input/output for registers by counter synchronous operation • Maximum of 15-phase PWM output by combination with synchronous operation • Cascaded operation
Channels 0 and 3	Buffer operation can be set.
Channels 1, 2, 4 and 5	Phase counting mode can be set
Interrupt source	26 sources
Buffer operation	Automatic transfer of register data
Generation of trigger	Conversion start trigger for the A/D converter can be generated.
Low power consumption function	Module stop state can be set for each unit.

Table 23.2 TPU Functions

Item	TPU0	TPU1	TPU2	TPU3	TPU4	TPU5
Count clock	PCLK/1 PCLK/4 PCLK/16 PCLK/64 TCLKA TCLKB TCLKC TCLKD	PCLK/1 PCLK/4 PCLK/16 PCLK/64 PCLK/256 TCLKA TCLKB	PCLK/1 PCLK/4 PCLK/16 PCLK/64 PCLK/1024 TCLKA TCLKB TCLKC	PCLK/1 PCLK/4 PCLK/16 PCLK/64 PCLK/256 PCLK/1024 PCLK/4096 TCLKA	PCLK/1 PCLK/4 PCLK/16 PCLK/64 PCLK/1024 TCLKA TCLKC	PCLK/1 PCLK/4 PCLK/16 PCLK/64 PCLK/256 TCLKA TCLKC TCLKD
Timer general registers (TGRy) (y = A to D)	TGRA TGRB TGRC*1 TGRD*1	TGRA TGRB	TGRA TGRB	TGRA TGRB TGRC*1 TGRD*1	TGRA TGRB	TGRA TGRB
I/O pins	TIOCA0 TIOCB0 TIOCC0 TIOCD0	TIOCA1 TIOCB1	TIOCA2 TIOCB2	TIOCA3 TIOCB3 TIOCC3 TIOCD3	TIOCA4 TIOCB4	TIOCA5 TIOCB5
Counter clear function	TGRy compare match or input capture	TGRy compare match or input capture	TGRy compare match or input capture	TGRy compare match or input capture	TGRy compare match or input capture	TGRy compare match or input capture
Compare match output	Low output	Possible	Possible	Possible	Possible	Possible
	High output	Possible	Possible	Possible	Possible	Possible
	Toggle output	Possible	Possible	Possible	Possible	Possible
Input capture function	Possible	Possible	Possible	Possible	Possible	Possible
Synchronous operation	Possible	Possible	Possible	Possible	Possible	Possible
PWM mode	Possible	Possible	Possible	Possible	Possible	Possible
Phase counting mode	Not possible	Possible	Possible	—	Possible	Possible
Buffer operation	Possible	Not possible	Not possible	Possible	Not possible	Not possible
DTC activation	TGRy compare match or input capture	TGRy compare match or input capture	TGRy compare match or input capture	TGRy compare match or input capture	TGRy compare match or input capture	TGRy compare match or input capture
DMAC activation	TGRA compare match or input capture	TGRA compare match or input capture	TGRA compare match or input capture	TGRA compare match or input capture	TGRA compare match or input capture	TGRA compare match or input capture
A/D conversion start trigger (TGRy) (y = A to D)	TGRA compare match or input capture	TGRA compare match or input capture	TGRA compare match or input capture	TGRA compare match or input capture	TGRA compare match or input capture	TGRA compare match or input capture
	TGRy compare match or input capture	Not possible	Not possible	Not possible	Not possible	Not possible
Interrupt sources	5 sources • Compare match or input capture 0A • Compare match or input capture 0B • Compare match or input capture 0C • Compare match or input capture 0D • Overflow	4 sources • Compare match or input capture 1A • Compare match or input capture 1B • Overflow • Underflow	4 sources • Compare match or input capture 2A • Compare match or input capture 2B • Overflow • Underflow	5 sources • Compare match or input capture 3A • Compare match or input capture 3B • Compare match or input capture 3C • Compare match or input capture 3D • Overflow	4 sources • Compare match or input capture 4A • Compare match or input capture 4B • Overflow • Underflow	4 sources • Compare match or input capture 5A • Compare match or input capture 5B • Overflow • Underflow
Module stop setting*2	MSTPA13 bit in MSTPCRA					

Note 1. TGRC and TGRD can be set as a buffer register.

Note 2. For details, see section 11, Low Power Consumption.

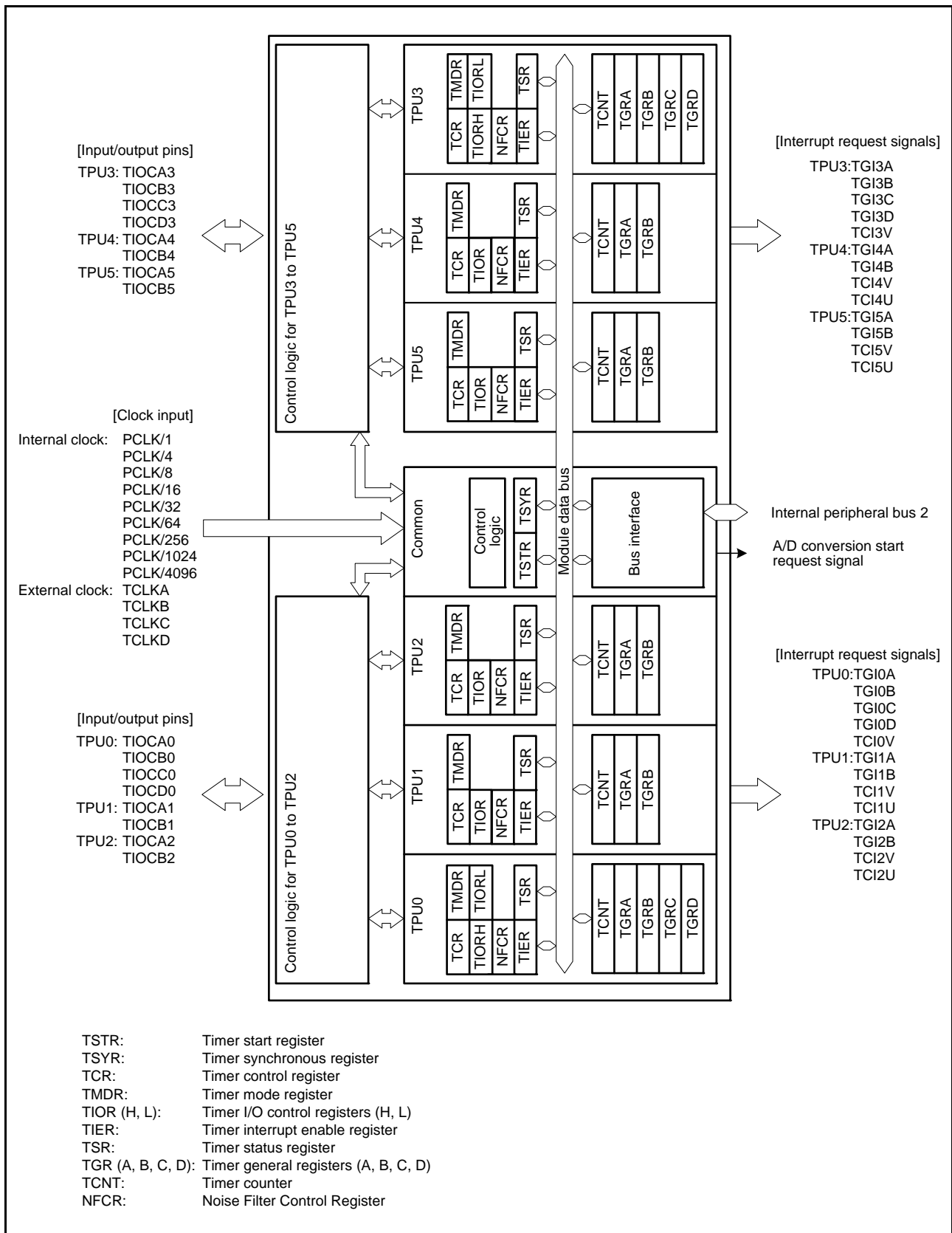


Figure 23.1 Block Diagram of TPU

Table 23.3 lists the input/output pins of the TPU.

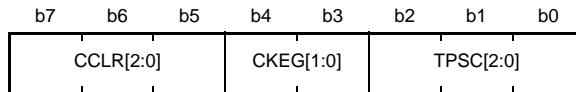
Table 23.3 Pin Configuration of TPU

Channel	Pin Name	I/O	Description
Common	TCLKA	Input	External clock A input pin (TPU1 and TPU5 phase counting mode A phase input)
	TCLKB	Input	External clock B input pin (TPU1 and TPU5 phase counting mode B phase input)
	TCLKC	Input	External clock C input pin (TPU2 and TPU4 phase counting mode A phase input)
	TCLKD	Input	External clock D input pin (TPU2 and TPU4 phase counting mode B phase input)
TPU0	TIOCA0	I/O	TPU0.TGRA input capture input/output compare output/PWM output pin
	TIOCB0	I/O	TPU0.TGRB input capture input/output compare output/PWM output pin
	TIOCC0	I/O	TPU0.TGRC input capture input/output compare output/PWM output pin
	TIOCD0	I/O	TPU0.TGRD input capture input/output compare output/PWM output pin
TPU1	TIOCA1	I/O	TPU1.TGRA input capture input/output compare output/PWM output pin
	TIOCB1	I/O	TPU1.TGRB input capture input/output compare output/PWM output pin
TPU2	TIOCA2	I/O	TPU2.TGRA input capture input/output compare output/PWM output pin
	TIOCB2	I/O	TPU2.TGRB input capture input/output compare output/PWM output pin
TPU3	TIOCA3	I/O	TPU3.TGRA input capture input/output compare output/PWM output pin
	TIOCB3	I/O	TPU3.TGRB input capture input/output compare output/PWM output pin
	TIOCC3	I/O	TPU3.TGRC input capture input/output compare output/PWM output pin
	TIOCD3	I/O	TPU3.TGRD input capture input/output compare output/PWM output pin
TPU4	TIOCA4	I/O	TPU4.TGRA input capture input/output compare output/PWM output pin
	TIOCB4	I/O	TPU4.TGRB input capture input/output compare output/PWM output pin
TPU5	TIOCA5	I/O	TPU5.TGRA input capture input/output compare output/PWM output pin
	TIOCB5	I/O	TPU5.TGRB input capture input/output compare output/PWM output pin

23.2 Register Descriptions

23.2.1 Timer Control Register (TCR)

Address(es): TPU0.TCR 0008 8110h, TPU1.TCR 0008 8120h, TPU2.TCR 0008 8130h, TPU3.TCR 0008 8140h, TPU4.TCR 0008 8150h, TPU5.TCR 0008 8160h



Value after reset: 0 0 0 0 0 0 0 0

Bit	Symbol	Bit Name	Description	R/W
b2 to b0	TPSC[2:0]	Timer Prescaler Select	See Table 23.4 to Table 23.9.	R/W
b4, b3	CKEG[1:0]	Input Clock Edge Select	See Table 23.10.	R/W
b7 to b5	CCLR[2:0] *1	Counter Clear Source Select	See Table 23.11 and Table 23.12.	R/W

Note 1. Bit 7 in TCR of TPU1, TPU2, TPU4, and TPU5 are reserved. These bits are read as 0. The write value should be 0.

TPUm.TCR settings should be made while TPUm.TCNT counter operation is stopped.

TPSC[2:0] Bits (Timer Prescaler Select)

These bits select the TCNT counter clock. The clock source can be selected independently for each channel.

To select the external clock as the clock source, set the bit in the port direction register (PDR) for the corresponding pin to 0 (input port), and set the bit in the port mode register (PMR) to 1 (uses the pin as an I/O port for peripheral functions). For details, see section 19, I/O Ports.

CKEG[1:0] Bits (Input Clock Edge Select)

These bits select the input clock edge.

When the internal clock is counted using both edges, the input clock period is halved (e.g. Both edges of PCLK/4 = PCLK/2 rising edge).

Internal clock edge selection is valid when the input clock is PCLK/4 or slower. This setting is ignored if the input clock is PCLK/1, or when overflow/underflow of another channel is selected.

Table 23.4 Bits TPSC[2:0] (TPU0)

Channel	Bits TPSC[2:0]			Description
	b2	b1	b0	
TPU0	0	0	0	Internal clock: counts on PCLK/1
	0	0	1	Internal clock: counts on PCLK/4
	0	1	0	Internal clock: counts on PCLK/16
	0	1	1	Internal clock: counts on PCLK/64
	1	0	0	External clock • TPU0: counts on TCLKA pin input
	1	0	1	External clock • TPU0: counts on TCLKB pin input
	1	1	0	External clock • TPU0: counts on TCLKC pin input
	1	1	1	External clock • TPU0: counts on TCLKD pin input

Table 23.5 Bits TPSC[2:0] (TPU1)

Channel	Bits TPSC[2:0]			Description
	b2	b1	b0	
TPU1	0	0	0	Internal clock: counts on PCLK/1
	0	0	1	Internal clock: counts on PCLK/4
	0	1	0	Internal clock: counts on PCLK/16
	0	1	1	Internal clock: counts on PCLK/64
	1	0	0	External clock • TPU1: counts on TCLKA pin input
	1	0	1	External clock • TPU1: counts on TCLKB pin input
	1	1	0	Internal clock: counts on PCLK/256
	1	1	1	• TPU1 Counts on TPU2.TCNT counter overflow/underflow

Note 1. This setting is invalid when TPU1 or TPU7 is in phase counting mode.

Table 23.6 Bits TPSC[2:0] (TPU2)

Channel	Bits TPSC[2:0]			Description
	b2	b1	b0	
TPU2	0	0	0	Internal clock: counts on PCLK/1
	0	0	1	Internal clock: counts on PCLK/4
	0	1	0	Internal clock: counts on PCLK/16
	0	1	1	Internal clock: counts on PCLK/64
	1	0	0	External clock • TPU2: counts on TCLKA pin input
	1	0	1	External clock • TPU2: counts on TCLKB pin input
	1	1	0	External clock • TPU2: counts on TCLKC pin input
	1	1	1	Internal clock: counts on PCLK/1024

Note 1. This setting is invalid when TPU2 is in phase counting mode.

Table 23.7 Bits TPSC[2:0] (TPU3)

Channel	Bits TPSC[2:0]			Description
	b2	b1	b0	
TPU3	0	0	0	Internal clock: counts on PCLK/1
	0	0	1	Internal clock: counts on PCLK/4
	0	1	0	Internal clock: counts on PCLK/16
	0	1	1	Internal clock: counts on PCLK/64
	1	0	0	External clock • TPU3: counts on TCLKA pin input
	1	0	1	Internal clock: counts on PCLK/1024
	1	1	0	Internal clock: counts on PCLK/256
	1	1	1	Internal clock: counts on PCLK/4096

Table 23.8 Bits TPSC[2:0] (TPU4)

Channel	Bits TPSC[2:0]			Description
	b2	b1	b0	
TPU4	0	0	0	Internal clock: counts on PCLK/1
	0	0	1	Internal clock: counts on PCLK/4
	0	1	0	Internal clock: counts on PCLK/16
	0	1	1	Internal clock: counts on PCLK/64
	1	0	0	External clock • TPU4: counts on TCLKA pin input
	1	0	1	External clock • TPU4: counts on TCLKC pin input
	1	1	0	Internal clock: counts on PCLK/1024
	1	1	1	• TPU4 Counts on TPU5.TCNT counter overflow/underflow

Note 1. This setting is invalid when TPU4 is in phase counting mode.

Table 23.9 Bits TPSC[2:0] (TPU5)

Channel	Bits TPSC[2:0]			Description
	b2	b1	b0	
TPU5	0	0	0	Internal clock: counts on PCLK/1
	0	0	1	Internal clock: counts on PCLK/4
	0	1	0	Internal clock: counts on PCLK/16
	0	1	1	Internal clock: counts on PCLK/64
	1	0	0	External clock • TPU5: counts on TCLKA pin input
	1	0	1	External clock • TPU5: counts on TCLKC pin input
	1	1	0	Internal clock: counts on PCLK/256
	1	1	1	External clock • TPU5: counts on TCLKD pin input

Note 1. This setting is invalid when TPU5 is in phase counting mode.

Table 23.10 Bits CKEG[1:0]

Bits CKEG[1:0]		Input Clock	
b4	b3	Internal Clock	External clock
0	0	Counted at falling edge	Counted at rising edge
0	1	Counted at rising edge	Counted at falling edge
1	0	Counted at both edges	Counted at both edges
1	1	Counted at both edges	Counted at both edges

Table 23.11 Bits CCLR[2:0] (TPU0, TPU3)

Channel	Bits CCLR[2:0]			Description
	b7	b6	b5	
TPU0, TPU3	0	0	0	TCNT counter clearing disabled
	0	0	1	TCNT counter cleared by TGRA compare match/input capture
	0	1	0	TCNT counter cleared by TGRB compare match/input capture
	0	1	1	TCNT counter cleared by counter clearing for another channel performing synchronous clearing/ synchronous operation*2
	1	0	0	TCNT counter clearing disabled
	1	0	1	TCNT counter cleared by TGRC compare match/input capture*1
	1	1	0	TCNT counter cleared by TGRD compare match/input capture*1
	1	1	1	TCNT counter cleared by counter clearing for another channel performing synchronous clearing/ synchronous operation*2

Note 1. When TGRC or TGRD is used as a buffer register, TCNT counter is not cleared because the buffer register setting has priority, and compare match/input capture does not occur.

Note 2. Synchronous operation is selected by setting the TPU.TSYR.SYNCj bit (j = 0, 3) to 1.

Table 23.12 Bits CCLR[2:0] (TPU1, TPU2, TPU4, TPU5)

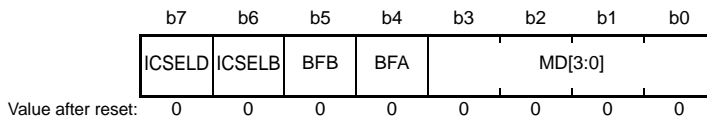
Channel	Bits CCLR[2:0]*1			Description
	b7	b6	b5	
TPU1, TPU2, TPU4, TPU5	0	0	0	TCNT counter clearing disabled
	0	0	1	TCNT counter cleared by TGRA compare match/input capture
	0	1	0	TCNT counter cleared by TGRB compare match/input capture
	0	1	1	TCNT counter cleared by counter clearing for another channel performing synchronous clearing/ synchronous operation*2
	1	0	0	Setting prohibited
	1	0	1	Setting prohibited
	1	1	0	Setting prohibited
	1	1	1	Setting prohibited

Note 1. Bit 7 in TCR of TPU1, TPU2, TPU4, and TPU5 are reserved. These bits are read as 0. The write value should be 0.

Note 2. Synchronous operation is selected by setting the TPU.TSYR.SYNCj bit (j = 1, 2, 4, 5) to 1.

23.2.2 Timer Mode Register (TMDR)

Address(es): TPU0.TMDR 0008 8111h, TPU1.TMDR 0008 8121h, TPU2.TMDR 0008 8131h, TPU3.TMDR 0008 8141h, TPU4.TMDR 0008 8151h, TPU5.TMDR 0008 8161h



Bit	Symbol	Bit Name	Description	R/W
b3 to b0	MD[3:0]	Mode Select	b3 ^{*1} b0 0 0 0 0: Normal operation 0 0 0 1: Setting prohibited 0 0 1 0: PWM mode 1 0 0 1 1: PWM mode 2 0 1 0 0: Phase counting mode 1 ^{*2} 0 1 0 1: Phase counting mode 2 ^{*2} 0 1 1 0: Phase counting mode 3 ^{*2} 0 1 1 1: Phase counting mode 4 ^{*2} Settings other than above are prohibited.	R/W
b4	BFA ^{*3}	Buffer Operation A	0: TPUm.TGRA operates normally 1: TPUm.TGRA and TPUm.TGRC used together for buffer operation (m = 0, 3)	R/W
b5	BFB ^{*4}	Buffer Operation B	0: TPUm.TGRB operates normally 1: TPUm.TGRB and TPUm.TGRD used together for buffer operation (m = 0, 3)	R/W
b6	ICSELB	TGRB Input Capture Input Select	0: Input capture input source is TIOCBn pin 1: Input capture input source is TIOCA n pin (n = 0 to 5)	R/W
b7	ICSELD ^{*4}	GRD Input Capture Input Select	0: Input capture input source is TIOCDn pin 1: Input capture input source is TIOCCn pin (n = 0, 3)	R/W

Note 1. Bit 3 is reserved. This bit is read as 0. The write value should be 0.

Note 2. Phase counting mode cannot be set for TPU0 and TPU3. A 0 should be written to bit 2 for them.

Note 3. Bit 4 of TPU1, TPU2, TPU4 and TPU5 that do not have TGRC is reserved. This bit is read as 0. The write value should be 0.

Note 4. Bits 5 and 7 of TPU1, TPU2, TPU4 and TPU5 that do not have TGRD are reserved. These bits are read as 0. The write value should be 0.

TPUm.TMDR settings should be made while TPUm.TCNT counter operation is stopped.

BFA Bit (Buffer Operation A)

Specifies whether TPUm.TGRA (m = 0, 3) is to normally operate, or TPUm.TGRA and TPUm.TGRC (m = 0, 3) are to be used together for buffer operation.

When TGRC is used as a buffer register, TGRC input capture/output compare is not generated.

BFB Bit (Buffer Operation B)

Specifies whether TPUm.TGRB (m = 0, 3) is to normally operate, or TPUm.TGRB and TPUm.TGRD (m = 0, 3) are to be used together for buffer operation.

When TGRD is used as a buffer register, TGRD input capture/output compare is not generated.

ICSELB Bit (TGRB Input Capture Input Select)

Selects the input capture input for TPUm.TGRB (m = 0 to 5).

This function allows measurement of high-level width and period of the input pulse on a TIOCA n input pin.

ICSELD Bit (TGRD Input Capture Input Select)

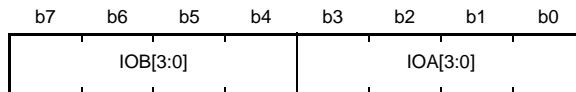
Selects the input capture input for TPU_m.TGRD (m = 0, 3).

This function allows measurement of high-level width and period of the input pulse on a TIOCC_n input pin.

23.2.3 Timer I/O Control Register (TIORH, TIORL, TIOR)

- TPU0.TIORH, TPU1.TIOR, TPU2.TIOR, TPU3.TIORH, TPU4.TIOR, TPU5.TIOR

Address(es): TPU0.TIORH 0008 8112h, TPU1.TIOR 0008 8122h, TPU2.TIOR 0008 8132h, TPU3.TIORH 0008 8142h,
TPU4.TIOR 0008 8152h, TPU5.TIOR 0008 8162h



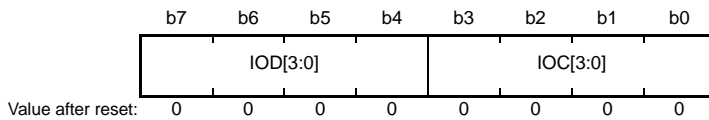
Value after reset: 0 0 0 0 0 0 0 0

Bit	Symbol	Bit Name	Description	R/W
b3 to b0	IOA[3:0]	TGRA Control	See Table 23.13 to Table 23.18.* ¹	R/W
b7 to b4	IOB[3:0]	TGRB Control	See Table 23.13 to Table 23.18.* ¹	R/W

Note 1. If the IO_n[3:0] bit (n = A or B) values are changed to output disabled (0000b or 0100b) during low/high/toggle output on compare match, the TIOCA_n/TIOCB_n pin (n = 0 to 5) is placed in high impedance state.

- TPU0.TIORL, TPU3.TIORL

Address(es): TPU0.TIORL 0008 8113h, TPU3.TIORL 0008 8143h



Bit	Symbol	Bit Name	Description	R/W
b3 to b0	IOC[3:0]	TGRC Control	See Table 23.19 and Table 23.20.*1	R/W
b7 to b4	IOD[3:0]	TGRD Control	See Table 23.19 and Table 23.20.*1	R/W

Note 1. If the IOn[3:0] bit (n = C or D) values are changed to output disabled (0000b or 0100b) during low/high/toggle output on compare match, the TIOCCn/TIOCDn pin (n = 0, 3) is placed in high impedance state.

TPU has two TIORH registers, one for TPU0 and TPU3, and two TIORL registers, one for TPU0 and TPU3, and also has four TIOR registers, one for TPU1, TPU2, TPU4 and TPU5. Thus the TPUa has eight timer I/O control registers in total.

TIORH, TIORL, and TIOR control registers TGRA, TGRB, TGRC, and TGRD.

Note that TIORH, TIORL, and TIOR are affected by the TMDR setting. For details, see Table 23.13 to Table 23.20.

The initial output specified by TIORH, TIORL, and TIOR is valid when the counter is stopped (the TPU.TSTR.CSTj bit (j = 0 to 5) is cleared to 0). In PWM mode 2, the output at the time when the TCNT counter is cleared to 0 is specified as the initial output.

When buffer operation has been selected for register TGRC or TGRD, the settings of the corresponding set of IOC[3:0] or IOD[3:0] bits becomes ineffective, and the TGRC or TGRD register simply operates as a buffer.

To specify the input capture pin in TIORH, TIORL, or TIOR, set the bit in the port direction register (PDR) for the corresponding pin to 0 (input port), and set the bit in the port mode register (PMR) to 1 (uses the pin as an I/O port for peripheral functions). For details, see section 19, I/O Ports.

IOA[3:0] Bits (TGRA Control)

Select the function of TPUm.TGRA (m = 0 to 5).

IOB[3:0] Bits (TGRB Control)

Select the function of TPUm.TGRB (m = 0 to 5).

IOC[3:0] Bits (TGRC Control)

Select the function of TPUm.TGRC (m = 0, 3).

IOD[3:0] Bits (TGRD Control)

Select the function of TPUm.TGRD (m = 0, 3).

Table 23.13 TPU0.TIORH

Bits IOA[3:0]				Description	
b3	b2	b1	b0	TPU0.TGRA Function	TIOCA0 Pin (n = 0, 6) Function and Related Issue
0	0	0	0	Output compare register	Output disabled
0	0	0	1		Initial output is low output; low output at compare match
0	0	1	0		Initial output is low output; high output at compare match
0	0	1	1		Initial output is low output; toggle output at compare match
0	1	0	0		Output disabled
0	1	0	1		Initial output is high output; low output at compare match
0	1	1	0		Initial output is high output; high output at compare match
0	1	1	1		Initial output is high output; toggle output at compare match
1	0	0	0	Input capture register	Capture input source is TIOCA0 pin; input capture at rising edge
1	0	0	1		Capture input source is TIOCA0 pin; input capture at falling edge
1	0	1	x		Capture input source is TIOCA0 pin; input capture at both edges
1	1	x	x		<ul style="list-style-type: none"> Capture input source is TPU1 count clock Input capture at TPU1.TCNT count-up/count-down*1

Bits IOB[3:0]				Description	
b7	b6	b5	b4	TPU0.TGRB Function	TIOCB0 Pin (n = 0, 6) Function and Related Issue
0	0	0	0	Output compare register	Output disabled
0	0	0	1		Initial output is low output; low output at compare match
0	0	1	0		Initial output is low output; high output at compare match
0	0	1	1		Initial output is low output; toggle output at compare match
0	1	0	0		Output disabled
0	1	0	1		Initial output is high output; low output at compare match
0	1	1	0		Initial output is high output; high output at compare match
0	1	1	1		Initial output is high output; toggle output at compare match
1	0	0	0	Input capture register	Capture input source is TIOCB0 or TIOCA0 pin*2; input capture at rising edge
1	0	0	1		Capture input source is TIOCB0 or TIOCA0 pin*2; input capture at falling edge
1	0	1	x		Capture input source is TIOCB0 or TIOCA0 pin*2; input capture at both edges
1	1	x	x		<ul style="list-style-type: none"> Capture input source is TPU1 count clock Input capture at TPU1.TCNT count-up/count-down*1

x: Don't care

Note 1. When the TPSC[2:0] bits in TPU1.TCR are set to 000b and PCLK/1 is used as the TPU1.TCNT count clock, this setting is invalid and input capture is not generated.

Note 2. Selected by the ICSELB bit in TPU0.TMDR.

Table 23.14 TPU1.TIOR

Bits IOA[3:0]				Description	
b3	b2	b1	b0	TPU1.TGRA Function	TIOCA1 Pin Function and Related Issue
0	0	0	0	Output compare register	Output disabled
0	0	0	1		Initial output is low output; low output at compare match
0	0	1	0		Initial output is low output; high output at compare match
0	0	1	1		Initial output is low output; toggle output at compare match
0	1	0	0		Output disabled
0	1	0	1		Initial output is high output; low output at compare match
0	1	1	0		Initial output is high output; high output at compare match
0	1	1	1		Initial output is high output; toggle output at compare match
1	0	0	0		Input capture register
1	0	0	1	Capture input source is TIOCA1 pin; input capture at falling edge	
1	0	1	x	Capture input source is TIOCA1 pin; input capture at both edges	
1	1	x	x	<ul style="list-style-type: none"> Capture input source is TPU0.TGRA compare match/input capture Input capture at generation of TPU0.TGRA compare match/input capture 	

Bits IOB[3:0]				Description	
b7	b6	b5	b4	TPU1.TGRB Function	TIOCB1 Pin Function and Related Issue
0	0	0	0	Output compare register	Output disabled
0	0	0	1		Initial output is low output; low output at compare match
0	0	1	0		Initial output is low output; high output at compare match
0	0	1	1		Initial output is low output; toggle output at compare match
0	1	0	0		Output disabled
0	1	0	1		Initial output is high output; low output at compare match
0	1	1	0		Initial output is high output; high output at compare match
0	1	1	1		Initial output is high output; toggle output at compare match
1	0	0	0		Input capture register
1	0	0	1	Capture input source is TIOCB1 or TIOCA1 pin*1; input capture at falling edge	
1	0	1	x	Capture input source is TIOCB1 or TIOCA1 pin*1; input capture at both edges	
1	1	x	x	<ul style="list-style-type: none"> Capture input source is TPU0.TGRC compare match/input capture Input capture at generation of TPU0.TGRC compare match/input capture 	

x: Don't care

Note 1. Selected by the ICSELB bit in TPU1.TMDR.

Table 23.15 TPU2.TIOR

Bits IOA[3:0]				Description	
b3	b2	b1	b0	TPU2.TGRA Function	TIOCA2 Pin Function and Related Issue
0	0	0	0	Output compare register	Output disabled
0	0	0	1		Initial output is low output; low output at compare match
0	0	1	0		Initial output is low output; high output at compare match
0	0	1	1		Initial output is low output; toggle output at compare match
0	1	0	0		Output disabled
0	1	0	1		Initial output is high output; low output at compare match
0	1	1	0		Initial output is high output; high output at compare match
0	1	1	1		Initial output is high output; toggle output at compare match
1	x	0	0	Input capture register	Capture input source is TIOCA2 pin; input capture at rising edge
1	x	0	1		Capture input source is TIOCA2 pin; input capture at falling edge
1	x	1	x		Capture input source is TIOCA2 pin; input capture at both edges

Bits IOB[3:0]				Description	
b7	b6	b5	b4	TPU2.TGRB Function	TIOCB2 Pin Function and Related Issue
0	0	0	0	Output compare register	Output disabled
0	0	0	1		Initial output is low output; low output at compare match
0	0	1	0		Initial output is low output; high output at compare match
0	0	1	1		Initial output is low output; toggle output at compare match
0	1	0	0		Output disabled
0	1	0	1		Initial output is high output; low output at compare match
0	1	1	0		Initial output is high output; high output at compare match
0	1	1	1		Initial output is high output; toggle output at compare match
1	x	0	0	Input capture register	Capture input source is TIOCB2 or TIOCA2 pin*1; input capture at rising edge
1	x	0	1		Capture input source is TIOCB2 or TIOCA2 pin*1; input capture at falling edge
1	x	1	x		Capture input source is TIOCB2 or TIOCA2 pin*1; input capture at both edges

x: Don't care

Note 1. Selected by the ICSELB bit in TPU2.TMDR.

Table 23.16 TPU3.TIORH

Bits IOA[3:0]				Description	
b3	b2	b1	b0	TPU3.TGRA Function	TIOCA3 Pin Function and Related Issue
0	0	0	0	Output compare register	Output disabled
0	0	0	1		Initial output is low output; low output at compare match
0	0	1	0		Initial output is low output; high output at compare match
0	0	1	1		Initial output is low output; toggle output at compare match
0	1	0	0		Output disabled
0	1	0	1		Initial output is high output; low output at compare match
0	1	1	0		Initial output is high output; high output at compare match
0	1	1	1		Initial output is high output; toggle output at compare match
1	0	0	0		Input capture register
1	0	0	1	Capture input source is TIOCA3 pin; input capture at falling edge	
1	0	1	x	Capture input source is TIOCA3 pin; input capture at both edges	
1	1	x	x	<ul style="list-style-type: none"> Capture input source is TPU4 count clock Input capture at TPU4.TCNT count-up/count-down*1 	

Bits IOB[3:0]				Description	
b7	b6	b5	b4	TPU3.TGRB Function	TIOCB3 Pin Function and Related Issue
0	0	0	0	Output compare register	Output disabled
0	0	0	1		Initial output is low output; low output at compare match
0	0	1	0		Initial output is low output; high output at compare match
0	0	1	1		Initial output is low output; toggle output at compare match
0	1	0	0		Output disabled
0	1	0	1		Initial output is high output; low output at compare match
0	1	1	0		Initial output is high output; high output at compare match
0	1	1	1		Initial output is high output; toggle output at compare match
1	0	0	0		Input capture register
1	0	0	1	Capture input source is TIOCB3 or TIOCA3 pin*2; input capture at falling edge	
1	0	1	x	Capture input source is TIOCB3 or TIOCA3 pin*2; input capture at both edges	
1	1	x	x	<ul style="list-style-type: none"> Capture input source is TPU4 count clock Input capture at TPU4.TCNT count-up/count-down*1 	

x: Don't care

Note 1. When the TPSC[2:0] bits in TPU4.TCR are set to 000b and PCLK/1 is used as the TPU4.TCNT count clock, this setting is invalid and input capture is not generated.

Note 2. Selected by the ICSELB bit in TPU3.TMDR.

Table 23.17 TPU4.TIOR

Bits IOA[3:0]				Description	
b3	b2	b1	b0	TPU4.TGRA Function	TIOCA4 Pin Function and Related Issue
0	0	0	0	Output compare register	Output disabled
0	0	0	1		Initial output is low output; low output at compare match
0	0	1	0		Initial output is low output; high output at compare match
0	0	1	1		Initial output is low output; toggle output at compare match
0	1	0	0		Output disabled
0	1	0	1		Initial output is high output; low output at compare match
0	1	1	0		Initial output is high output; high output at compare match
0	1	1	1		Initial output is high output; toggle output at compare match
1	0	0	0		Input capture register
1	0	0	1	Capture input source is TIOCA4 pin; input capture at falling edge	
1	0	1	x	Capture input source is TIOCA4 pin; input capture at both edges	
1	1	x	x	<ul style="list-style-type: none"> Capture input source is TPU3.TGRA compare match/input capture Input capture at generation of TPU3.TGRA compare match/input capture 	

Bits IOB[3:0]				Description	
b7	b6	b5	b4	TPU4.TGRB Function	TIOCB4 Pin Function and Related Issue
0	0	0	0	Output compare register	Output disabled
0	0	0	1		Initial output is low output; low output at compare match
0	0	1	0		Initial output is low output; high output at compare match
0	0	1	1		Initial output is low output; toggle output at compare match
0	1	0	0		Output disabled
0	1	0	1		Initial output is high output; low output at compare match
0	1	1	0		Initial output is high output; high output at compare match
0	1	1	1		Initial output is high output; toggle output at compare match
1	0	0	0		Input capture register
1	0	0	1	Capture input source is TIOCB4 or TIOCA4 pin*1; input capture at falling edge	
1	0	1	x	Capture input source is TIOCB4 or TIOCA4 pin*1; input capture at both edges	
1	1	x	x	<ul style="list-style-type: none"> Capture input source is TPU3.TGRC compare match/input capture Input capture at generation of TPU3.TGRC compare match/input capture 	

x: Don't care

Note 1. Selected by the ICSELB bit in TPU4.TMDR.

Table 23.18 TPU5.TIOR

Bits IOA[3:0]				Description	
b3	b2	b1	b0	TPU5.TGRA Function	TIOCA5 Pin Function and Related Issue
0	0	0	0	Output compare register	Output disabled
0	0	0	1		Initial output is low output; low output at compare match
0	0	1	0		Initial output is low output; high output at compare match
0	0	1	1		Initial output is low output; toggle output at compare match
0	1	0	0		Output disabled
0	1	0	1		Initial output is high output; low output at compare match
0	1	1	0		Initial output is high output; high output at compare match
0	1	1	1		Initial output is high output; toggle output at compare match
1	x	0	0		Input capture register
1	x	0	1	Capture input source is TIOCA5 pin; input capture at falling edge	
1	x	1	x	Capture input source is TIOCA5 pin; input capture at both edges	

Bits IOB[3:0]				Description	
b7	b6	b5	b4	TPU5.TGRB Function	TIOCB5 Pin Function and Related Issue
0	0	0	0	Output compare register	Output disabled
0	0	0	1		Initial output is low output; low output at compare match
0	0	1	0		Initial output is low output; high output at compare match
0	0	1	1		Initial output is low output; toggle output at compare match
0	1	0	0		Output disabled
0	1	0	1		Initial output is high output; low output at compare match
0	1	1	0		Initial output is high output; high output at compare match
0	1	1	1		Initial output is high output; toggle output at compare match
1	x	0	0		Input capture register
1	x	0	1	Capture input source is TIOCB5 or TIOCA5 pin*1; input capture at falling edge	
1	x	1	x	Capture input source is TIOCB5 or TIOCA5 pin*1; input capture at both edges	

x: Don't care

Note 1. Selected by the ICSELB bit in TPU5.TMDR.

Table 23.19 TPU0.TI0RL

Bits IOC[3:0]				Description	
b3	b2	b1	b0	TPU6.TGRC Function	TIOCC6 Pin Function and Related Issue
0	0	0	0	Output compare register*1	Output disabled
0	0	0	1		Initial output is low output; low output at compare match
0	0	1	0		Initial output is low output; high output at compare match
0	0	1	1		Initial output is low output; toggle output at compare match
0	1	0	0		Output disabled
0	1	0	1		Initial output is high output; low output at compare match
0	1	1	0		Initial output is high output; high output at compare match
0	1	1	1		Initial output is high output; toggle output at compare match
1	0	0	0	Input capture register*1	Capture input source is TIOCC0 pin; input capture at rising edge
1	0	0	1		Capture input source is TIOCC0 pin; input capture at falling edge
1	0	1	x		Capture input source is TIOCC0 pin; input capture at both edges
1	1	x	x		<ul style="list-style-type: none"> Capture input source is TPU1 count clock Input capture at TPU1.TCNT count-up/count-down*3

Bits IOD[3:0]				Description	
b7	b6	b5	b4	TPU6.TGRD Function	TIOCD6 Pin Function and Related Issue
0	0	0	0	Output compare register*2	Output disabled
0	0	0	1		Initial output is low output; low output at compare match
0	0	1	0		Initial output is low output; high output at compare match
0	0	1	1		Initial output is low output; toggle output at compare match
0	1	0	0		Output disabled
0	1	0	1		Initial output is high output; low output at compare match
0	1	1	0		Initial output is high output; high output at compare match
0	1	1	1		Initial output is high output; toggle output at compare match
1	0	0	0	Input capture register*2	Capture input source is TIOCD0 or TIOCC0 pin*4; input capture at rising edge
1	0	0	1		Capture input source is TIOCD0 or TIOCC0 pin*4; input capture at falling edge
1	0	1	x		Capture input source is TIOCD0 or TIOCC0n pin*4; input capture at both edges
1	1	x	x		<ul style="list-style-type: none"> Capture input source is TPU1 count clock Input capture at TPU1.TCNT count-up/count-down*3

x: Don't care

Note 1. When the BFA bit in TPU0.TMDR is set to 1 (TPU0.TGRA and TPU0.TGRC are used for buffer operation) and TPU0.TGRC is used as a buffer register, this setting is invalid and input capture/output compare is not generated.

Note 2. When the BFB bit in TPU0.TMDR is set to 1 (TPU0.TGRB and TPU0.TGRD are used for buffer operation) and TPU0.TGRD is used as a buffer register, this setting is invalid and input capture/output compare is not generated.

Note 3. When the TPSC[2:0] bits in TPU1.TCR are set to 000b and PCLK/1 is used as the TPU0.TCNT count clock, this setting is invalid and input capture is not generated.

Note 4. Selected by the ICSELD bit in TPU0.TMDR.

Table 23.20 TPU3.TI0RL

Bits IOC[3:0]				Description	
b3	b2	b1	b0	TPU3.TGRC Function	TIOCC3 Pin Function and Related Issue
0	0	0	0	Output compare register*1	Output disabled
0	0	0	1		Initial output is low output; low output at compare match
0	0	1	0		Initial output is low output; high output at compare match
0	0	1	1		Initial output is low output; toggle output at compare match
0	1	0	0		Output disabled
0	1	0	1		Initial output is high output; low output at compare match
0	1	1	0		Initial output is high output; high output at compare match
0	1	1	1		Initial output is high output; toggle output at compare match
1	0	0	0		Input capture register*1
1	0	0	1	Capture input source is TIOCC3 pin; input capture at falling edge	
1	0	1	x	Capture input source is TIOCC3 pin; input capture at both edges	
1	1	x	x	<ul style="list-style-type: none"> Capture input source is TPU4 count clock Input capture at TPU4.TCNT count-up/count-down*3 	

Bits IOD[3:0]				Description	
b7	b6	b5	b4	TPU3.TGRD Function	TIOCD3 Pin Function and Related Issue
0	0	0	0	Output compare register*2	Output disabled
0	0	0	1		Initial output is low output; low output at compare match
0	0	1	0		Initial output is low output; high output at compare match
0	0	1	1		Initial output is low output; toggle output at compare match
0	1	0	0		Output disabled
0	1	0	1		Initial output is high output; low output at compare match
0	1	1	0		Initial output is high output; high output at compare match
0	1	1	1		Initial output is high output; toggle output at compare match
1	0	0	0		Input capture register*2
1	0	0	1	Capture input source is TIOCD3 or TIOCC3 pin*4; input capture at falling edge	
1	0	1	x	Capture input source is TIOCD3 or TIOCC3 pin*4; input capture at both edges	
1	1	X	x	<ul style="list-style-type: none"> Capture input source is TPU4 count clock Input capture at TPU4.TCNT count-up/count-down*3 	

x: Don't care

Note 1. When the BFA bit in TPU3.TMDR is set to 1 (TPU3.TGRA and TPU3.TGRC are used for buffer operation) and TPU3.TGRC is used as a buffer register, this setting is invalid and input capture/output compare is not generated.

Note 2. When the BFB bit in TPU3.TMDR is set to 1 (TPU3.TGRB and TPU3.TGRD are used for buffer operation) and TPU3.TGRD is used as a buffer register, this setting is invalid and input capture/output compare is not generated.

Note 3. When the TPSC[2:0] bits in TPU4.TCR are set to 000b and PCLK/1 is used as the TPU3.TCNT count clock, this setting is invalid and input capture is not generated.

Note 4. Selected by the ICSELD bit in TPU3.TMDR.

23.2.4 Timer Interrupt Enable Register (TIER)

Address(es): TPU0.TIER 0008 8114h, TPU1.TIER 0008 8124h, TPU2.TIER 0008 8134h, TPU3.TIER 0008 8144h,
TPU4.TIER 0008 8154h, TPU5.TIER 0008 8164h

b7	b6	b5	b4	b3	b2	b1	b0
TTGE	—	TCIEU	TCIEV	TGIED	TGIEC	TGIEB	TGIEA

Value after reset: 0 1 0 0 0 0 0 0

Bit	Symbol	Bit Name	Description	R/W
b0	TGIEA	TGRA Interrupt Enable	0: Interrupt requests (TGImA) disabled 1: Interrupt requests (TGImA) enabled (m = 0 to 5)	R/W
b1	TGIEB	TGRB Interrupt Enable	0: Interrupt requests (TGImB) disabled 1: Interrupt requests (TGImB) enabled (m = 0 to 5)	R/W
b2	TGIEC*1	TGRC Interrupt Enable	0: Interrupt requests (TGImC) disabled 1: Interrupt requests (TGImC) enabled (m = 0, 3)	R/W
b3	TGIED*1	TGRD Interrupt Enable	0: Interrupt requests (TGImD) disabled 1: Interrupt requests (TGImD) enabled (m = 0, 3)	R/W
b4	TCIEV	Overflow Interrupt Enable	0: Interrupt requests (TCImV) disabled 1: Interrupt requests (TCImV) enabled (m = 0 to 5)	R/W
b5	TCIEU*2	Underflow Interrupt Enable	0: Interrupt requests (TCImU) disabled 1: Interrupt requests (TCImU) enabled (m = 1, 2, 4, 5)	R/W
b6	—	Reserved	This bit is read as 1. The write value should be 1.	R/W
b7	TTGE	A/D Conversion Start Request Enable	0: A/D conversion start request generation disabled 1: A/D conversion start request generation enabled	R/W

Note 1. Bits 3 and 2 in TIER of TPU1, TPU2, TPU4 and TPU5 are reserved. These bits are read as 0. The write value should be 0.

Note 2. Bit 5 in TIER of TPU0 and TPU3 is reserved. This bit is read as 0. The write value should be 0.

TTGE Bit (A/D Conversion Start Request Enable)

Enables/disables generation of A/D conversion start requests by TPU_m.TGRA (m = 0 to 5) input capture/compare match.

23.2.5 Timer Status Register (TSR)

Address(es): TPU0.TSR 0008 8115h, TPU1.TSR 0008 8125h, TPU2.TSR 0008 8135h, TPU3.TSR 0008 8145h,
TPU4.TSR 0008 8155h, TPU5.TSR 0008 8165h

b7	b6	b5	b4	b3	b2	b1	b0
TCFD	—	TCFU	TCFV	TGFD	TGFC	TGFB	TGFA

Value after reset: 1 1 0 0 0 0 0 0

Bit	Symbol	Bit Name	Description	R/W
b0	TGFA	Input Capture/Output Compare Flag A	0: Input capture to TPUm.TGRA or compare match with TPUm.TGRA has not occurred. 1: Input capture to TPUm.TGRA or compare match with TPUm.TGRA has occurred. (m = 0 to 5)	R/W*2
b1	TGFB	Input Capture/Output Compare Flag B	0: Input capture to TPUm.TGRB or compare match with TPUm.TGRB has not occurred. 1: Input capture to TPUm.TGRB or compare match with TPUm.TGRB has occurred. (m = 0 to 5)	R/W*2
b2	TGFC*4	Input Capture/Output Compare Flag C	0: Input capture to TPUm.TGRC or compare match with TPUm.TGRC has not occurred. 1: Input capture to TPUm.TGRC or compare match with TPUm.TGRC has occurred. (m = 0, 3)	R/W*2
b3	TGFD*4	Input Capture/Output Compare Flag D	0: Input capture to TPUm.TGRD or compare match with TPUm.TGRD has not occurred. 1: Input capture to TPUm.TGRD or compare match with TPUm.TGRD has occurred. (m = 0, 3)	R/W*2
b4	TCFV	Overflow Flag	0: TPUm.TCNT has not overflowed. 1: TPUm.TCNT has overflowed. (m = 0 to 5)	R/W*2
b5	TCFU*3	Underflow Flag	0: TPUm.TCNT has not underflowed. 1: TPUm.TCNT has underflowed. (m = 1, 2, 4, 5)	R/W*2
b6	—	Reserved	This bit is read as 1. The write value should be 1.	R
b7	TCFD*1	Counting Direction Flag	0: Counter (TPUm.TCNT) counts down. 1: Counter (TPUm.TCNT) counts up. (m = 1, 2, 4, 5)	R

Note 1. Bit 7 of registers TPU0.TSR and TPU3.TSR is reserved. The bit is read as 1. When writing, write 1 to this bit.

Note 2. Only writing 0 to this bit is possible; this clears the flag.

Note 3. Bit 5 of registers TPU0.TSR and TPU3.TSR is reserved. The bit is read as 0. When writing, write 0 to this bit.

Note 4. Bits 2 and 3 of registers TPU1.TSR, TPU2.TSR, TPU4.TSR and TPU5.TSR are reserved. The bits are read as 0. When writing, write 0 to these bits.

TGFA Flag (Input Capture/Output Compare Flag A)

This status flag indicates that input capture to TPUm.TGRA or compare match with TPUm.TGRA (m = 0 to 5) has occurred.

[Setting conditions]

- When TPUm.TGRA holds the value for comparison in output-compare operations, TPUm.TCNT matches TPUm.TGRA.

- When TPUm.TGRA is serving as an input-capture register, the input-capture signal has caused transfer of the value in TPUm.TCNT to TPUm.TGRA.

[Clearing conditions]

- Activation of the DTC by the TGImA interrupt and clearing of the DTC.MRB.DISEL bit.
- Writing 0 to TGFA after reading its value as 1.

TGFB Flag (Input Capture/Output Compare Flag B)

This status flag indicates that input capture to TPUm.TGRB or compare match with TPUm.TGRB (m = 0 to 5) has occurred.

[Setting conditions]

- When TPUm.TGRB holds the value for comparison in output-compare operations, TPUm.TCNT matches TPUm.TGRB.
- When TPUm.TGRB is serving as an input-capture register, the input-capture signal has caused transfer of the value in TPUm.TCNT to TPUm.TGRB.

[Clearing conditions]

- Activation of the DTC by the TGImB interrupt and clearing of the DTC.MRB.DISEL bit.
- Writing 0 to TGFB after reading its value as 1.

TGFC Flag (Input Capture/Output Compare Flag C)

This status flag indicates that input capture to TPUm.TGRC or compare match with TPUm.TGRC (m = 0, 3) has occurred.

[Setting conditions]

- When TPUm.TGRC holds the value for comparison in output-compare operations, TPUm.TCNT matches TPUm.TGRC.
- When TPUm.TGRC is serving as an input-capture register, the input-capture signal has caused transfer of the value in TPUm.TCNT to TPUm.TGRC.

[Clearing conditions]

- Activation of the DTC by the TGImC interrupt and clearing of the DTC.MRB.DISEL bit.
- Writing 0 to TGFC after reading its value as 1.

TGFD Flag (Input Capture/Output Compare Flag D)

This status flag indicates that input capture to TPUm.TGRD or compare match with TPUm.TGRD (m = 0, 3) has occurred.

[Setting conditions]

- When TPUm.TGRD holds the value for comparison in output-compare operations, TPUm.TCNT matches TPUm.TGRD.
- When TPUm.TGRD is serving as an input-capture register, the input-capture signal has caused transfer of the value in TPUm.TCNT to TPUm.TGRD.

[Clearing conditions]

- Activation of the DTC by the TGImD interrupt and clearing of the DTC.MRB.DISEL bit.
- Writing 0 to TGFD after reading its value as 1.

TCFV Flag (Overflow Flag)

This status flag indicates an overflow of TPU_m.TCNT (m = 0 to 5).

[Setting condition]

- Overflow of the value in TPU_m.TCNT (TCNT counted from FFFFh to 0000h).

[Clearing condition]

- Writing 0 to TCFV after reading its value as 1.

TCFU Flag (Underflow Flag)

This status flag indicates an underflow of TPU_m.TCNT (m = 1, 2, 4, 5).

[Setting condition]

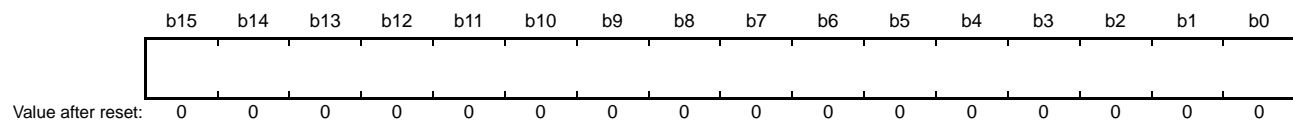
- Underflow of the value in TPU_m.TCNT (TCNT counted from 0000h to FFFFh).

[Clearing condition]

- Writing 0 to TCFU after reading its value as 1.

23.2.6 Timer Counter (TCNT)

Address(es): TPU0.TCNT 0008 8116h, TPU1.TCNT 0008 8126h, TPU2.TCNT 0008 8136h, TPU3.TCNT 0008 8146h,
TPU4.TCNT 0008 8156h, TPU5.TCNT 0008 8166h



TPU_m.TCNT is a 16-bit counter that counts the internal clock or external events.

This counter can be read/written in 16-bit units.

This counter is initialized to 0000h by a reset.

23.2.7 Timer General Register A (TGRA)
 Timer General Register B (TGRB)
 Timer General Register C (TGRC)
 Timer General Register D (TGRD)

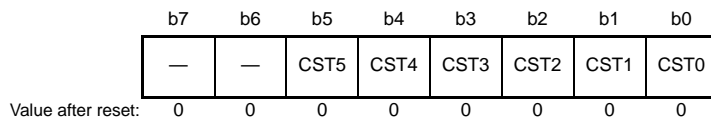
Address(es): TPU0.TGRA 0008 8118h, TPU0.TGRB 0008 811Ah, TPU0.TGRC 0008 811Ch, TPU0.TGRD 0008 811Eh,
 TPU1.TGRA 0008 8128h, TPU1.TGRB 0008 812Ah,
 TPU2.TGRA 0008 8138h, TPU2.TGRB 0008 813Ah,
 TPU3.TGRA 0008 8148h, TPU3.TGRB 0008 814Ah, TPU3.TGRC 0008 814Ch, TPU3.TGRD 0008 814Eh,
 TPU4.TGRA 0008 8158h, TPU4.TGRB 0008 815Ah,
 TPU5.TGRA 0008 8168h, TPU5.TGRB 0008 816Ah



TPU has 16 TGR registers in total, four each for TPU0 and TPU3, and two each for TPU1, TPU2, TPU4 and TPU5. TPU_m.TGRA (m = 0 to 5), TPU_m.TGRB (m = 0 to 5), TPU_m.TGRC (m = 0, 3), and TPU_m.TGRD (m = 0, 3) are 16-bit registers with a dual function as output compare and input capture registers. These registers can be read/written in 16-bit units. TPU_m.TGRC and TPU_m.TGRD can also be specified for operation as buffer registers. Register combinations during buffer operations are TPU_m.TGRA—TPU_m.TGRC and TPU_m.TGRB—TPU_m.TGRD.

23.2.8 Timer Start Register (TSTR)

Address(es): TPU.TSTR 0008 8100h



Bit	Symbol	Bit Name	Description	R/W
b0	CST0	Counter Start 0	0: TCNT count operation is stopped 1: TCNT performs count operation	R/W
b1	CST1	Counter Start 1		R/W
b2	CST2	Counter Start 2		R/W
b3	CST3	Counter Start 3		R/W
b4	CST4	Counter Start 4		R/W
b5	CST5	Counter Start 5		R/W
b7, b6	—	Reserved	These bits are read as 0. The write value should be 0.	R/W

TSTR starts or stops TCNT count operation for TPU0 to TPU5.

Before setting the operating mode in TPUm.TMDR or setting the TPUm.TCNT count clock in TPUm.TCR, stop the TPUm.TCNT counter.

CSTn Bits (Counter Start) (n = 0 to 5)

These bits start or stop the TCNT counter.

When the CSTn bit is cleared to 0 with CSTn = 1 and the corresponding TIOCyn pin (y = A to D, n = 0 to 5) specified for output, the counter stops but the output compare output level of the corresponding TIOCyn pin is retained.

If TIORH, TIORL, or TIOR is written to when the CSTn bit is 0, the pin output level will be changed to the set initial output value.

23.2.9 Timer Synchronous Register (TSYR)

Address(es): TPU.TSYR 0008 8101h

b7	b6	b5	b4	b3	b2	b1	b0
—	—	SYNC5	SYNC4	SYNC3	SYNC2	SYNC1	SYNC0

Value after reset: 0 0 0 0 0 0 0 0

Bit	Symbol	Bit Name	Description	R/W
b0	SYNC0	Timer Synchronization 0	0: TCNT operates independently (TCNT presetting/clearing is unrelated to other channels)	R/W
b1	SYNC1	Timer Synchronization 1	1: TCNT performs synchronous operation*1	R/W
b2	SYNC2	Timer Synchronization 2	(TCNT synchronous presetting/synchronous clearing is possible)	R/W
b3	SYNC3	Timer Synchronization 3		R/W
b4	SYNC4	Timer Synchronization 4		R/W
b5	SYNC5	Timer Synchronization 5		R/W
b7, b6	—	Reserved	These bits are read as 0. The write value should be 0.	R/W

Note 1. To set synchronous operation, the SYNCn bit (n = 0 to 5) for at least two channels must be set to 1. To set synchronous clearing, the TCNT clearing source must also be set by the CCLR[2:0] bits in TCR in addition to the SYNCn bit.

TPU.TSYR selects independent operation or synchronous operation for the TCNT counters of TPU0 to TPU5.

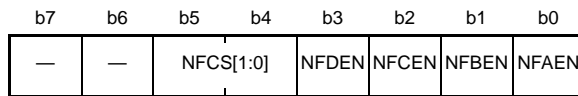
SYNCn Bits (Timer Synchronization) (n = 0 to 5)

These bits select whether the TCNT operation is independent of or synchronized with TCNT of other channels.

When synchronous operation is selected, synchronous presetting of multiple TCNT counters and synchronous clearing through counter clearing on another channel are possible.

23.2.10 Noise Filter Control Register (NFCR)

Address(es): TPU0.NFCR 0008 8108h, TPU1.NFCR 0008 8109h, TPU2.NFCR 0008 810Ah, TPU3.NFCR 0008 810Bh,
TPU4.NFCR 0008 810Ch, TPU5.NFCR 0008 810Dh



Value after reset: 0 0 0 0 0 0 0 0

Bit	Symbol	Bit Name	Description	R/W
b0	NFAEN	Noise Filter Enable A	0: The noise filter for TIOCAm is disabled. 1: The noise filter for TIOCAm is enabled. (m = 0 to 5)	R/W
b1	NFBEN	Noise Filter Enable B	0: The noise filter for TIOCBm is disabled. 1: The noise filter for TIOCBm is enabled. (m = 0 to 5)	R/W
b2	NFCEN*1	Noise Filter Enable C	0: The noise filter for TIOCCm is disabled. 1: The noise filter for TIOCCm is enabled. (m = 0, 3)	R/W
b3	NFDEN*1	Noise Filter Enable D	0: The noise filter for TIOCDm is disabled. 1: The noise filter for TIOCDm is enabled. (m = 0, 3)	R/W
b5, b4	NFCS[1:0]	Noise Filter Clock Select	00: PCLK/1 01: PCLK/8 10: PCLK/32 11: Clock source that drives counting	R/W
b7, b6	—	Reserved	These bits are read as 0. Writing to these bits is not possible.	R

Note 1. Bits 2 and 3 of TPU1.NFCR, TPU2.NFCR, TPU4.NFCR and TPU5.NFCR are reserved. The bits are read as 0. Writing to these bits is not possible.

Only set the TPU_m.NFCR registers while the TPU_m.TCNT counter is stopped.

NFAEN Bit (Noise Filter Enable A)

This bit disables or enables the noise filter for the TIOCAm pin (m = 0 to 5).

Since unexpected edges may be internally generated when the value of NFAEN is changed, select the output compare function in the timer I/O control register before changing the NFAEN value.

NFBEN Bit (Noise Filter Enable B)

This bit disables or enables the noise filter for the TIOCBm pin (m = 0 to 5).

Since unexpected edges may be internally generated when the value of NFBEN is changed, select the output compare function in the timer I/O control register before changing the NFBEN value.

NFCEN Bit (Noise Filter Enable C)

This bit disables or enables the noise filter for the TIOCCm pin (m = 0, 3).

Since unexpected edges may be internally generated when the value of NFCEN is changed, select the output compare function in the timer I/O control register before changing the NFCEN value.

NFDEN Bit (Noise Filter Enable D)

This bit disables or enables the noise filter for the TIOCDm pin ($m = 0, 3$).

Since unexpected edges may be internally generated when the value of NFDEN is changed, select the output compare function in the timer I/O control register before changing the NFDEN value.

NFCS[1:0] Bits (Noise Filter Clock Select)

These bits select the sampling clock for the noise filter.

When the count source is selected with NFCS[1:0] bits set to 11b, the clock that can be used as sampling clock are the internal clocks other than PCLK/1 specified with the TPSC[2:0] bits and the external clock. To select the PCLK/1 as both the counter clock and the sampling clock, set the NFCS[1:0] bits to 00b.

The input-capture signal is sampled on rising edges of the selected clock signal. If the sampled levels match three times in a row, the given level is passed through as the input-capture signal. If the levels do not match, the existing value is retained.

After setting the NFCS[1:0] bits, wait for two selected sampling periods before setting the input capture function.

23.3 Operation

23.3.1 Basic Functions

Each channel has a TPU_m.TCNT counter and a TPU_m.TGR_y register (y = A to D).

TCNT is a 16-bit up-counter, which can function as a free-running counter, periodic counter, or event counter.

TGR_y can be used as an input capture register or output compare register.

(1) Counter Operation

When the CST_j bit (j = 0 to 5) in TPU.TSTR is set to 1, the TCNT counter for the corresponding channel starts counting.

(a) Example of count operation setting procedure

Figure 23.2 shows an example of the count operation setting procedure.

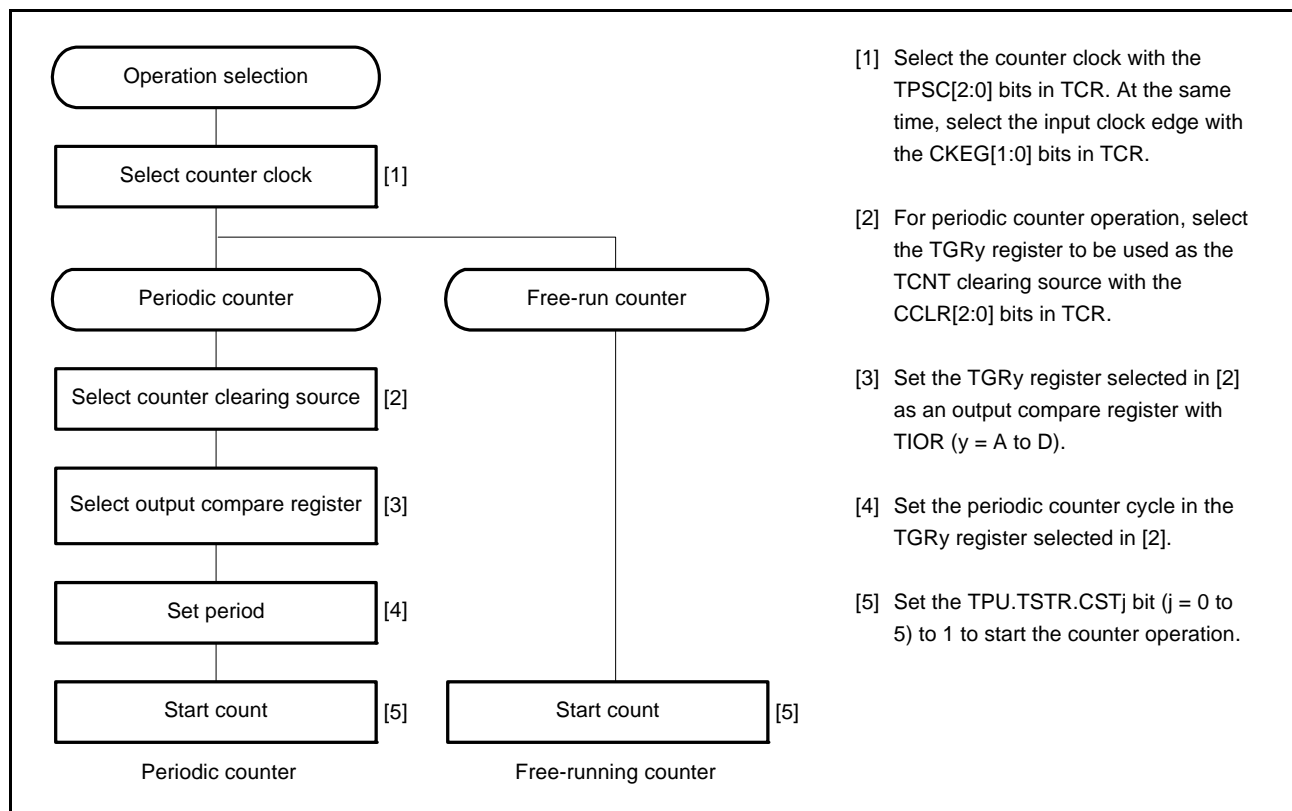


Figure 23.2 Example of Counter Operation Setting Procedure

(b) Free-running count operation and periodic count operation

Immediately after a reset, the TPUm.TCNT counters are all set as free-running counters. When the relevant bit in TPU.TSTR is set to 1, the corresponding TCNT counter starts up-count operation as a free-running counter. When TCNT overflows (changes from FFFFh to 0000h), the TPU requests an interrupt. After an overflow, TCNT restarts counting up from 0000h.

Figure 23.3 shows free-running counter operation.

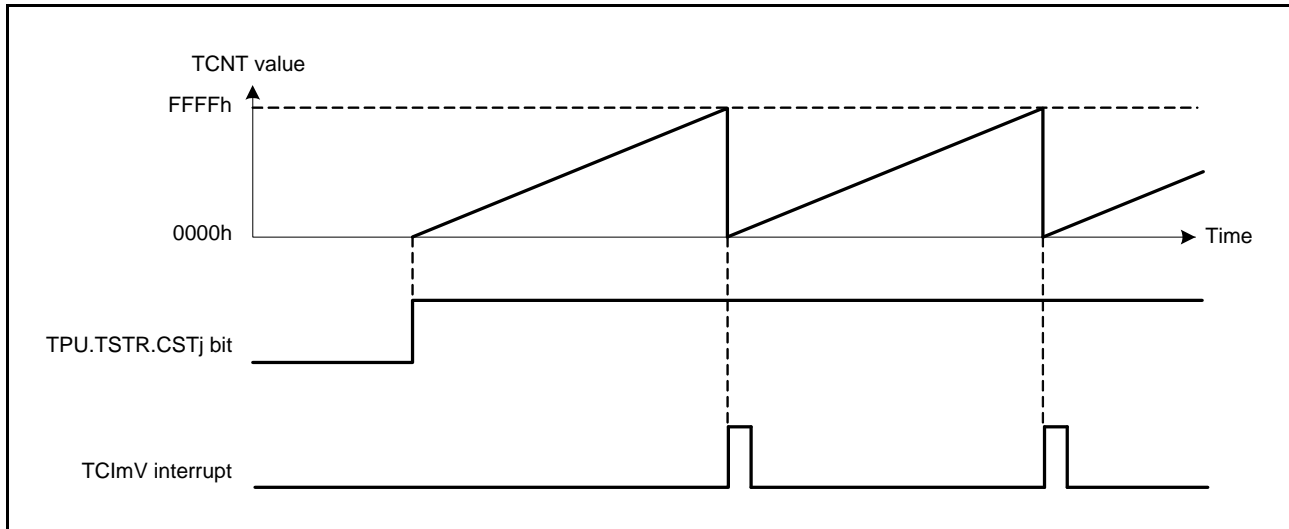


Figure 23.3 Free-Running Counter Operation

When compare match is selected as the TCNT clearing source, the TCNT counter for the relevant channel performs periodic count operation. The TPUm.TGRy for setting the period is set as an output compare register, and counter clearing by compare match is selected by the CCLR[2:0] bits in TPUm.TCR. After the settings have been made, TCNT starts count-up operation as a periodic counter when the corresponding bit in TPU.TSTR is set to 1. When the count value matches the TGRy value, TCNT is cleared to 0000h.

At this time, the TPU requests an interrupt. After a compare match, TCNT restarts counting up from 0000h.

Figure 23.4 shows periodic counter operation.

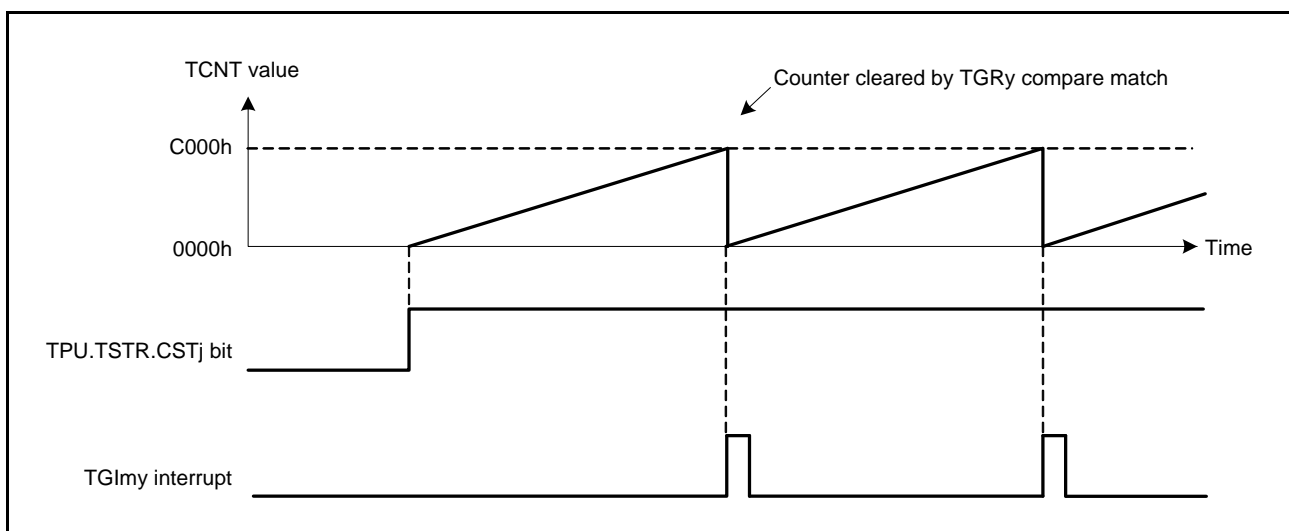


Figure 23.4 Periodic Counter Operation

(2) Waveform Output by Compare Match

The TPU can perform low, high, or toggle output from the corresponding output pin using a compare match.

(a) Example of setting procedure for waveform output by compare match

Figure 23.5 shows an example of the setting procedure for waveform output by a compare match.

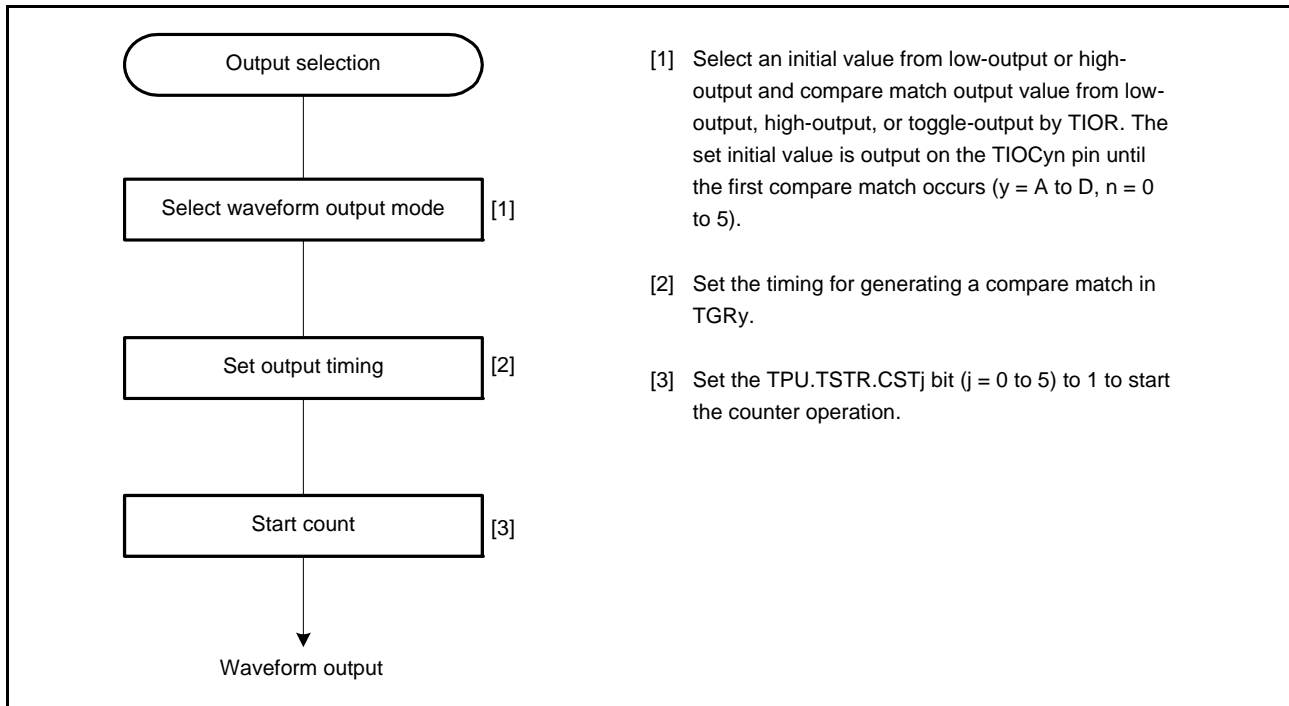


Figure 23.5 Example of Setting Procedure for Waveform Output by Compare Match

(b) Examples of waveform output operation

Figure 23.6 shows an example of low output/high output.

In this example, TPUm.TCNT has been set as a free-running counter, and settings have been made so that high is output by compare match A and low is output by compare match B. When the set level and the pin level match, the pin level does not change.

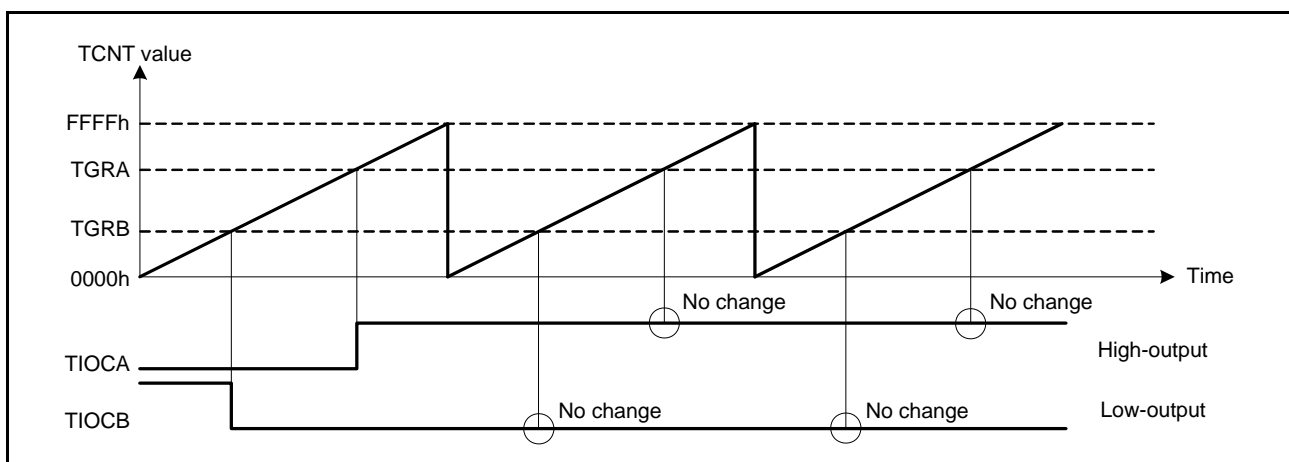


Figure 23.6 Example of Low-Output/High-Output Operation

Figure 23.7 shows an example of toggle output.

In this example, TPUm.TCNT has been set as a periodic counter (with counter clearing performed by compare match B), and settings have been made so that output is toggled by both compare match A and compare match B.

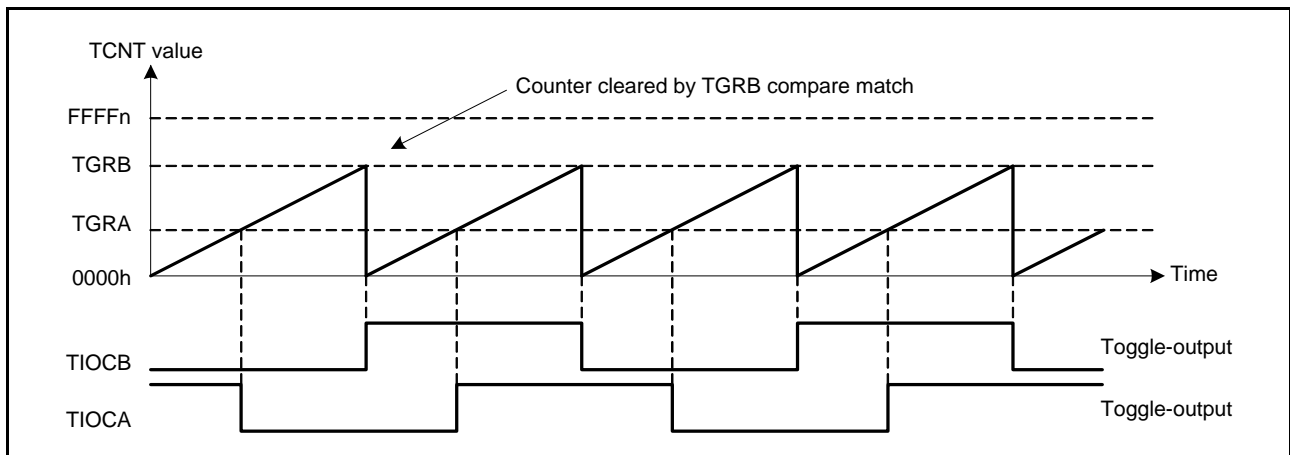


Figure 23.7 Example of Toggle Output Operation

(3) Input Capture Function

The TPUm.TCNT value can be transferred to TPUm.TGRy on detection of the TIOCyn pin (y = A to D, n = 0 to 5) input edge.

The rising edge, the falling edge, or both edges can be selected as the detection edge. It is also possible to specify the counter input clock or compare match signal of TPU0, TPU1, TPU3, and TPU4 as the input capture source. Noise filtering can be applied to the input capture input.

- Note:
- Even if the counter is halted, an input capture is generated, and flag and interrupt signals are generated.
 - When another channel's counter input clock is used as the input capture input for TPU0 and TPU3, PCLK/1 should not be selected as the counter input clock used for input capture input. Input capture will not be generated if PCLK/1 is selected.

(a) Example of setting procedure for input capture operation

Figure 23.8 shows an example of the setting procedure for input capture operation.

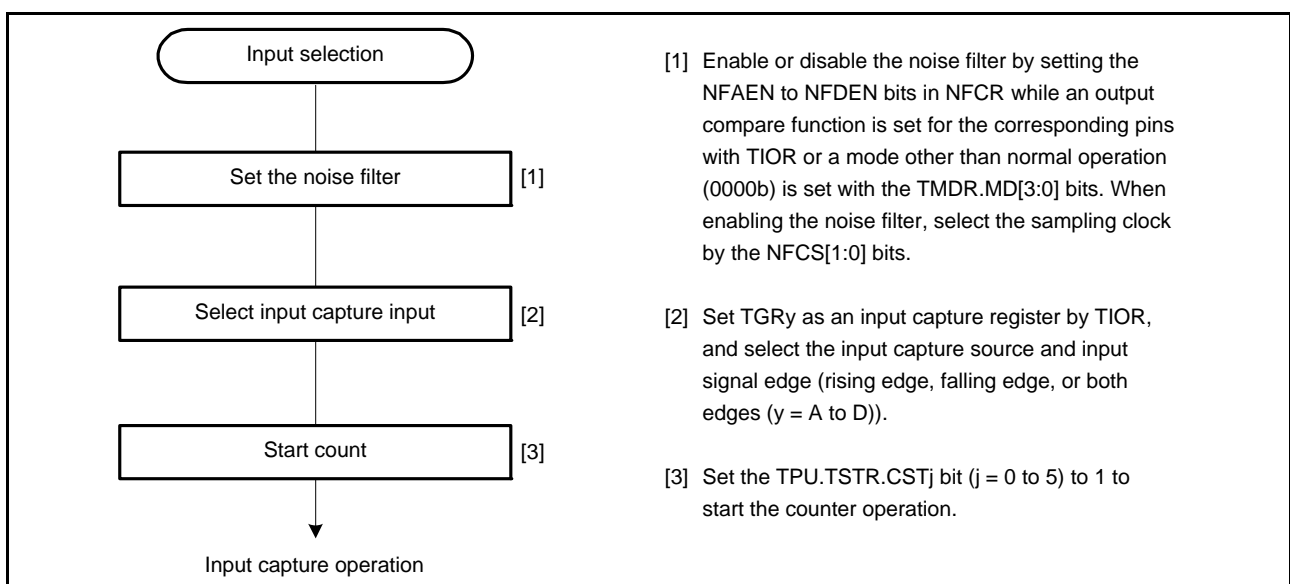


Figure 23.8 Example of Setting Procedure for Input Capture Operation

(b) Example of input capture operation

Figure 23.9 shows an example of input capture operation when the noise filter is stopped.

In this example, both rising and falling edges have been selected as the TIOCA_n pin input capture input edge, the falling edge has been selected as the TIOCB_n pin input capture input edge, and counter clearing by TPUm.TGRB input capture has been set for TPUm.TCNT.

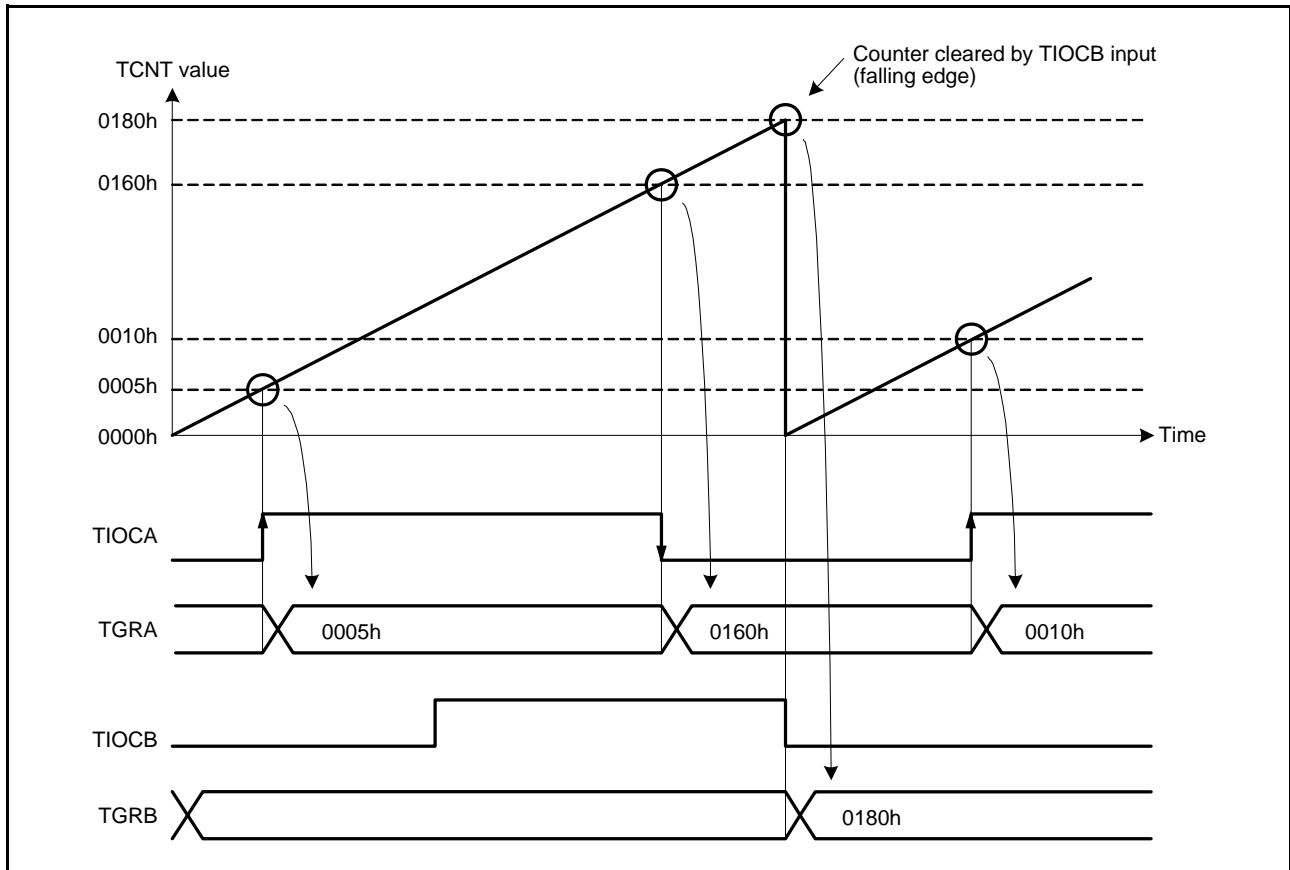


Figure 23.9 Example of Input Capture Operation (with Noise Filter Stopped)

If noise filtering is enabled, input capture operation is performed on the edges of noise-filtered signal after a delay of (minimum sampling interval × 2 + PCLK) due to noise filtering for the input capture input.

23.3.2 Synchronous Operation

In synchronous operation, the values in multiple TPUm.TCNT counters can be rewritten simultaneously (synchronous presetting). Also, multiple TCNT counters can be cleared simultaneously (synchronous clearing) by making the appropriate setting in TPUm.TCR.

Synchronous operation enables TPUm.TGRy to be incremented with respect to a single time base.

TPU0 to TPU5 can all be set for synchronous operation.

(1) Example of Synchronous Operation Setting Procedure

Figure 23.10 shows an example of the synchronous operation setting procedure.

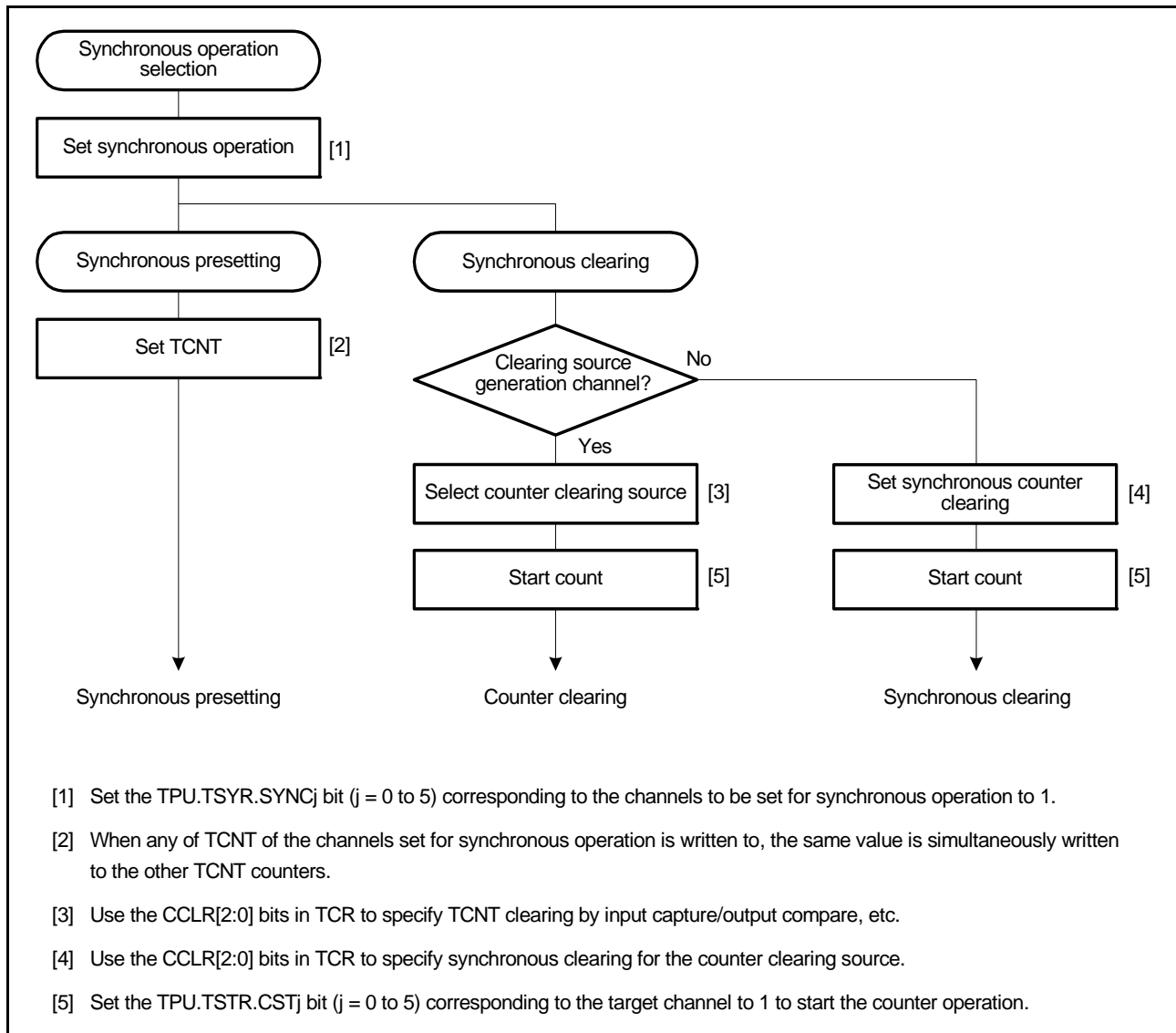


Figure 23.10 Example of Synchronous Operation Setting Procedure

(2) Example of Synchronous Operation

Figure 23.11 shows an example of synchronous operation.

In this example, synchronous operation and PWM mode 1 have been set for TPU0 to TPU2, TPU0.TGRB compare match has been set as the TPU0 counter clearing source, and synchronous clearing has been set for the TPU1 and TPU2 counter clearing source.

Three-phase PWM waveforms are output from pins TIOCA0, TIOCA1, and TIOCA2. At this time, synchronous presetting and synchronous clearing by TPU0.TGRB compare match are performed for TPU_m.TCNT of TPU0 to TPU2, and the data set in TPU0.TGRB is used as the PWM cycle.

For details on PWM modes, see section 23.3.5, PWM Modes.

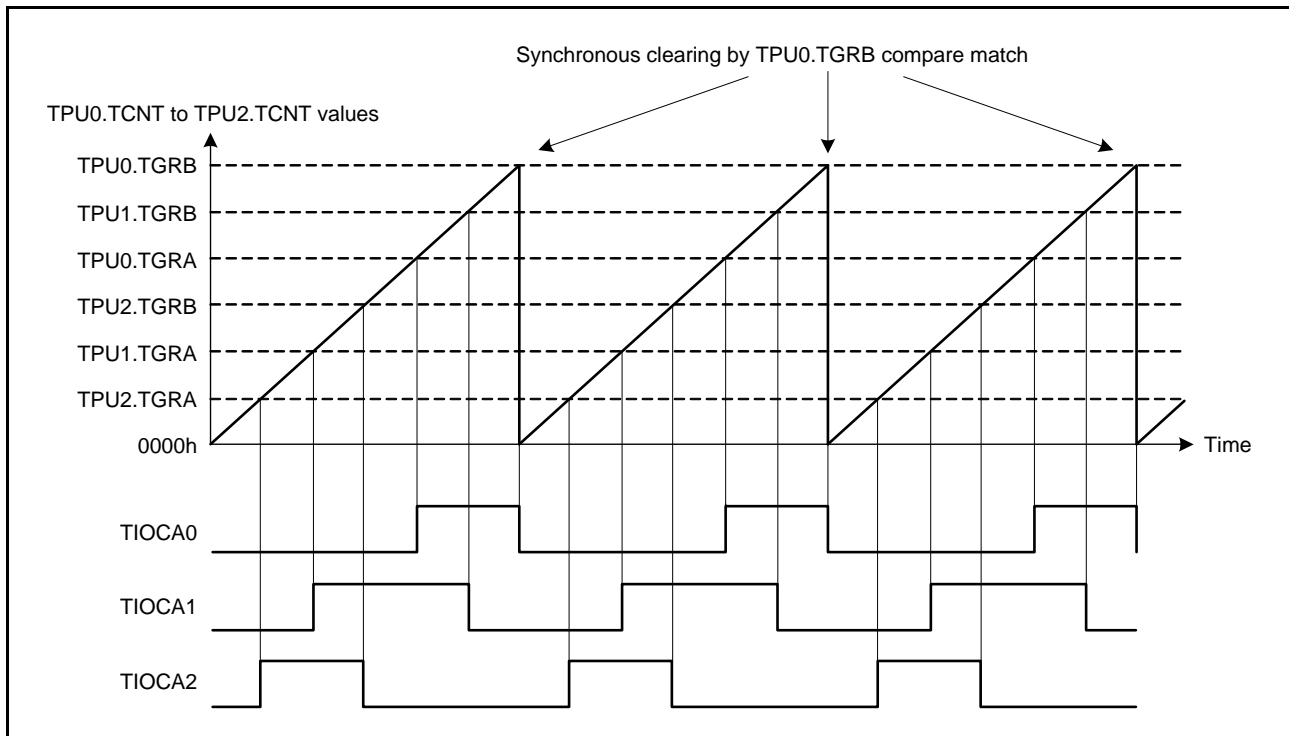


Figure 23.11 Example of Synchronous Operation

23.3.3 Buffer Operation

Buffer operation, provided for TPU0 and TPU3, enables TPUm.TGRC and TPUm.TGRD to be used as buffer registers. Buffer operation differs depending on whether TPUm.TGRy has been set as an input capture register or a compare match register.

Table 23.21 lists the register combinations used in buffer operation.

Table 23.21 Register Combinations in Buffer Operation

Channel	Timer General Register	Buffer Register
TPU0	TPU0.TGRA	TPU0.TGRC
	TPU0.TGRB	TPU0.TGRD
TPU3	TPU3.TGRA	TPU3.TGRC
	TPU3.TGRB	TPU3.TGRD

- When TPUm.TGRy is an output compare register

When a compare match occurs, the value in the buffer register for the corresponding channel is transferred to the timer general register.

This operation is shown in Figure 23.12.

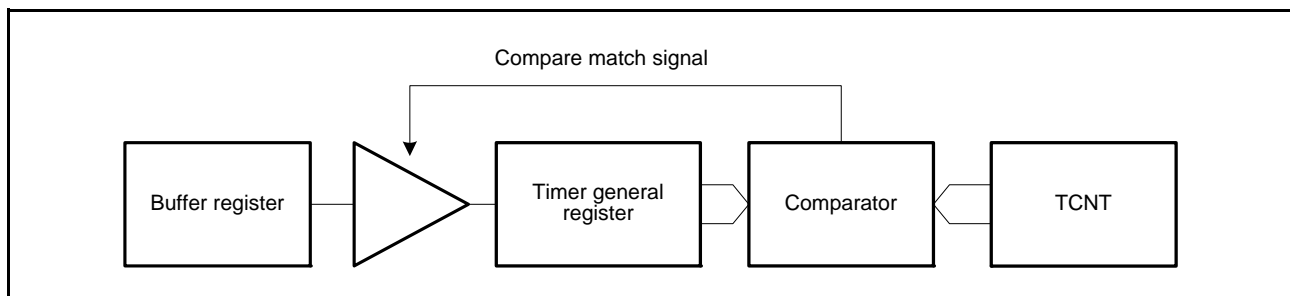


Figure 23.12 Compare Match Buffer Operation

- When TPUm.TGRy is an input capture register

When input capture occurs, the value in TPUm.TCNT is transferred to TGRy and the value previously held in TGRy is simultaneously transferred to the buffer register.

This operation is shown in Figure 23.13.

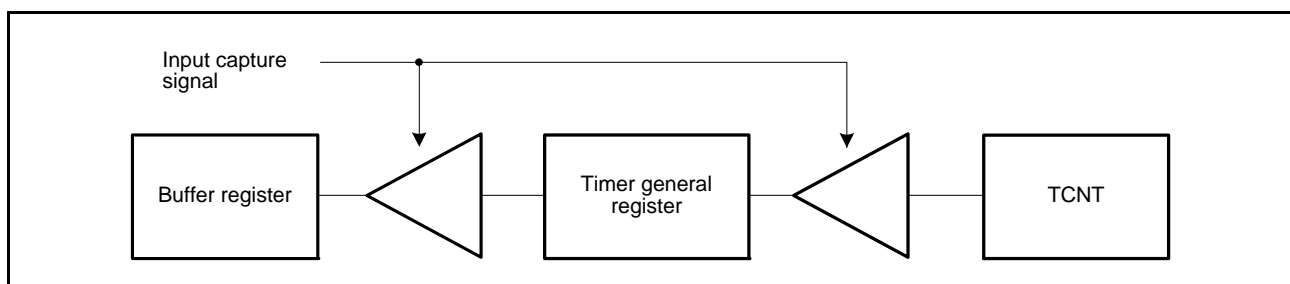


Figure 23.13 Input Capture Buffer Operation

(1) Example of Buffer Operation Setting Procedure

Figure 23.14 shows an example of the buffer operation setting procedure.

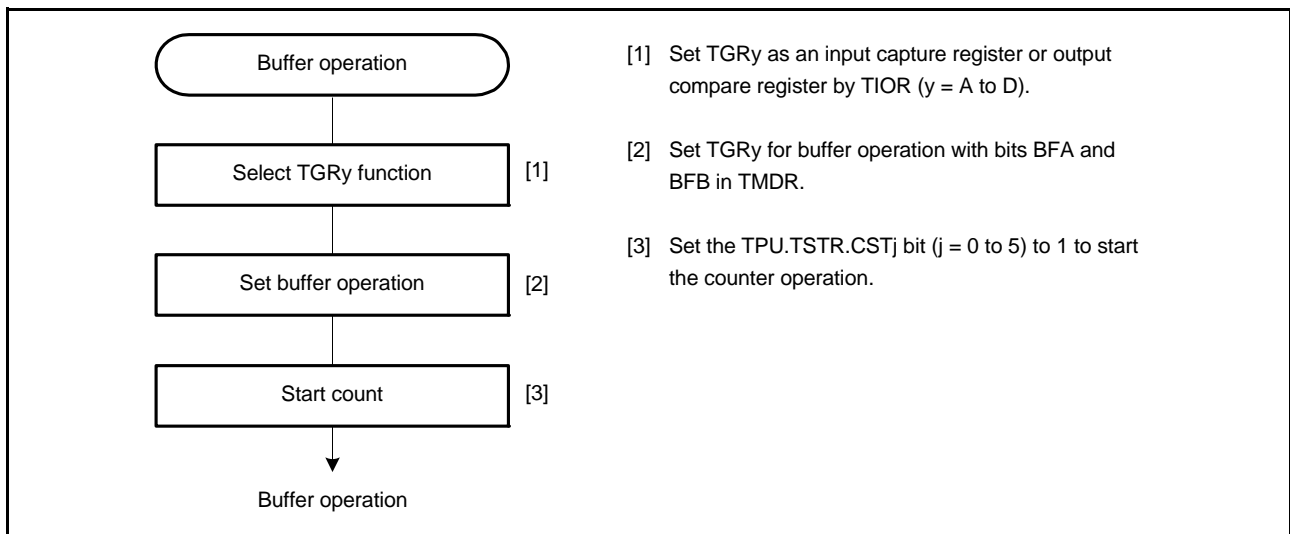


Figure 23.14 Example of Buffer Operation Setting Procedure

(2) Examples of Buffer Operation

(a) When TPUm.TGRy is an output compare register

Figure 23.15 shows an operation example in which PWM mode 1 has been set for TPU0, and buffer operation has been set for TPU0.TGRA and TPU0.TGRC. The settings used in this example are TPU0.TCNT clearing by compare match B, high output at compare match A, and low output at compare match B.

As buffer operation has been set, when compare match A occurs, the output changes and the TPU0.TGRC value is simultaneously transferred to TPU0.TGRA. This operation is repeated each time compare match A occurs.

For details on PWM modes, see section 23.3.5, PWM Modes.

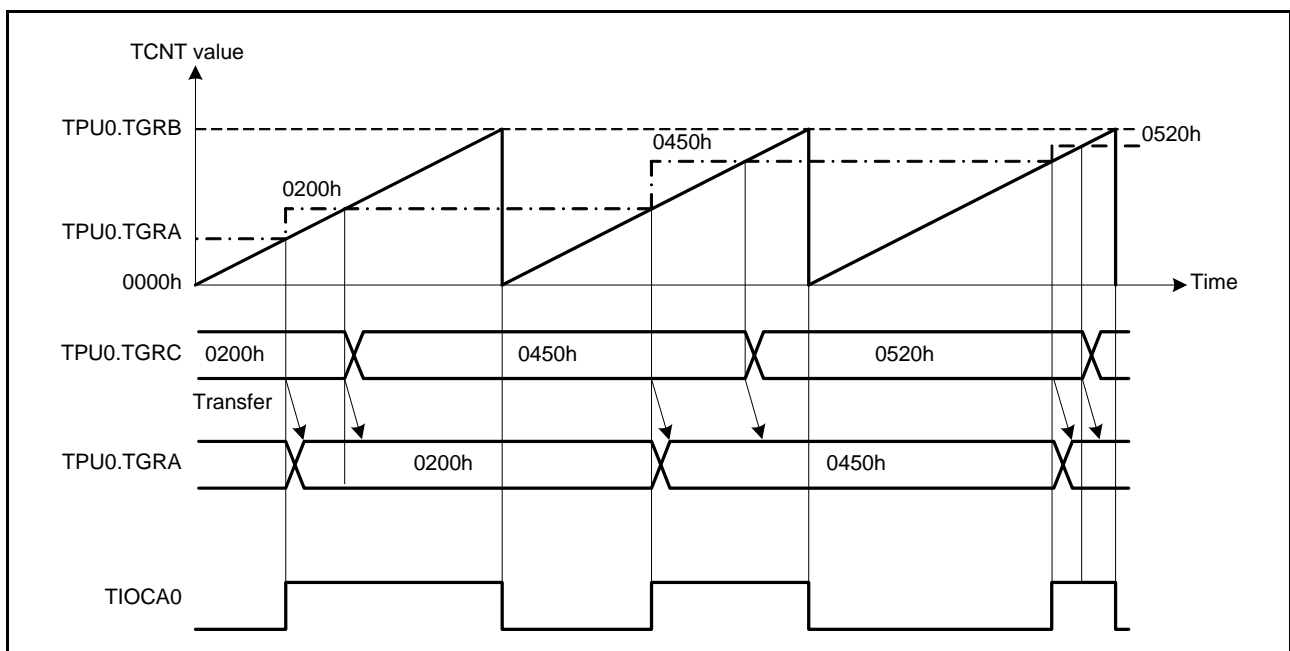


Figure 23.15 Example of Buffer Operation (1)

(b) When TPUM.TGRy is an input capture register

Figure 23.16 shows an operation example in which TPUM.TGRA has been set as an input capture register, and buffer operation has been set for the TGRA register and TPUM.TGRC.

Counter clearing by TGRA input capture has been set for TPUM.TCNT, and both rising and falling edges have been selected as the TIOCA pin input capture input edge.

As buffer operation has been set, when the TCNT value is stored in TGRA upon occurrence of input capture A, the value previously stored in TGRA is simultaneously transferred to TGRC.

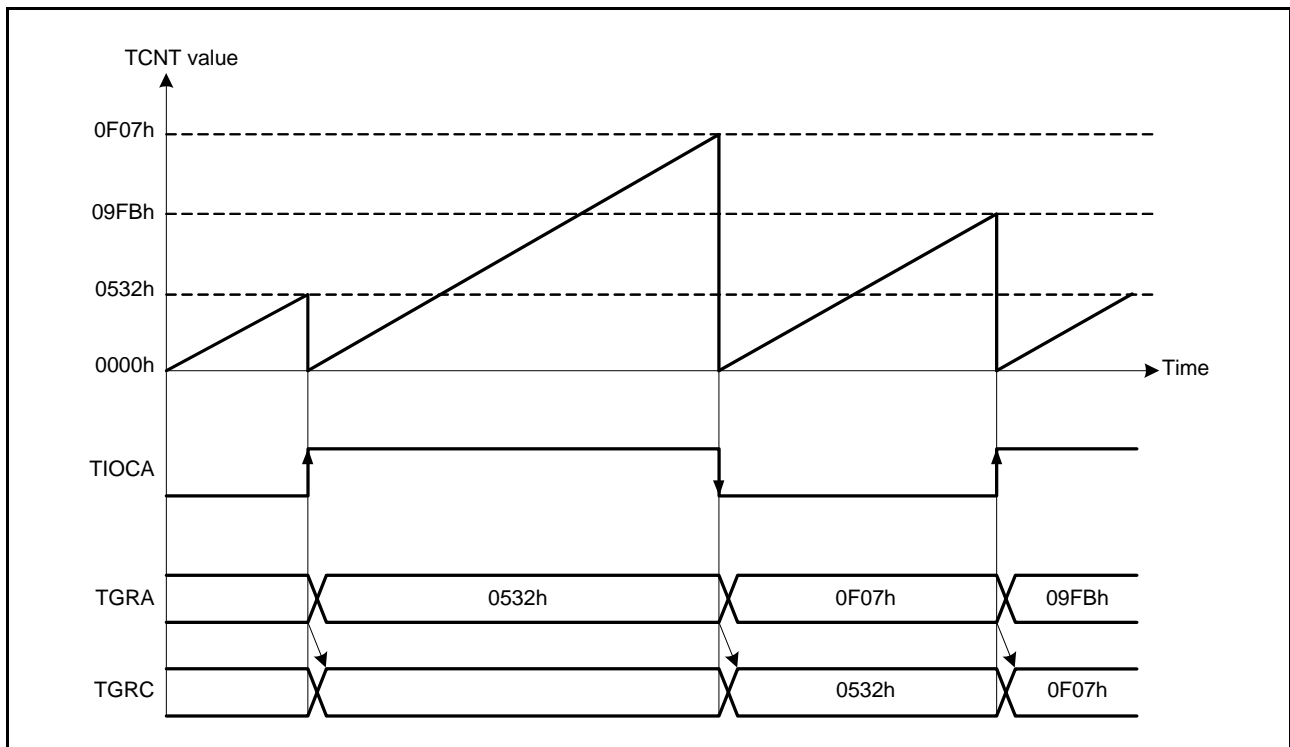


Figure 23.16 Example of Buffer Operation (2)

23.3.4 Cascaded Operation

In cascaded operation, two 16-bit counters for different channels are used together as a 32-bit counter.

This function works by counting the TPU1 (TPU4) counter clock at overflow/underflow of TPU2.TCNT (TPU5.TCNT) as set by the TPSC[2:0] bits in TPU1.TCR (TPSC[2:0] bits in TPU4.TCR).

Underflow occurs only when the lower 16-bit TPUm.TCNT is in phase counting mode.

Table 23.22 lists the register combinations used in cascaded operation.

Note 1. When phase counting mode is set for TPU1 or TPU4, the counter clock setting is invalid and the counter operates independently in phase counting mode.

Table 23.22 Cascaded Combinations

Combination	Upper 16 Bits	Lower 16 Bits
TPU1 and TPU2	TPU1.TCNT	TPU2.TCNT
TPU4 and TPU5	TPU4.TCNT	TPU5.TCNT

(1) Example of Cascaded Operation Setting Procedure

Figure 23.17 shows an example of the setting procedure for cascaded operation.

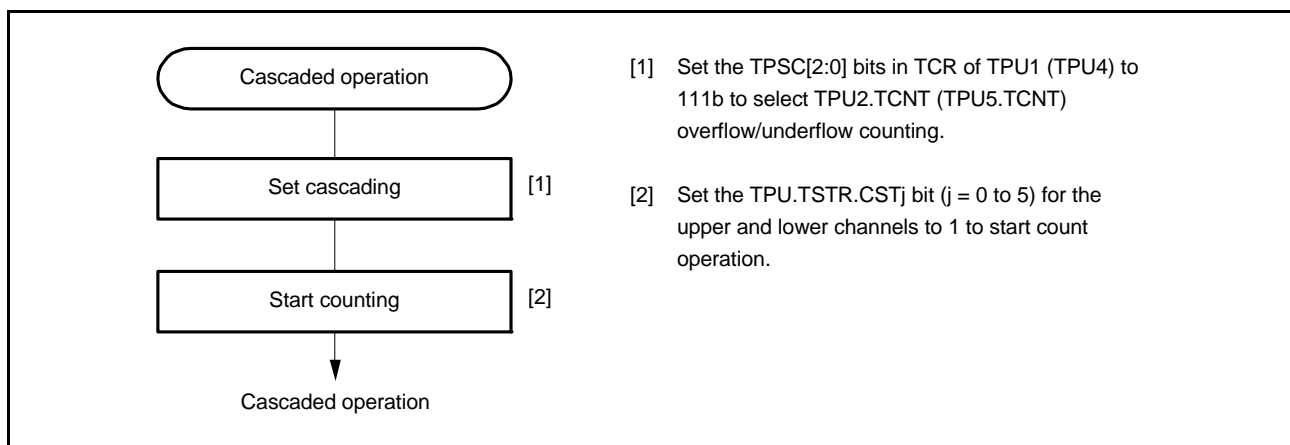


Figure 23.17 Cascaded Operation Setting Procedure

(2) Examples of Cascaded Operation

Figure 23.18 shows the operation when counting upon TPU2.TCNT overflow/underflow has been set for TPU1.TCNT, TPU1.TGRA and TPU2.TGRA have been set as input capture registers, and the rising edge of the TIOCA1 and TIOCA2 pins has been selected.

When a rising edge is input to the TIOCA1 and TIOCA2 pins simultaneously, the upper 16 bits of the 32-bit data are transferred to TPU1.TGRA, and the lower 16 bits to TPU2.TGRA.

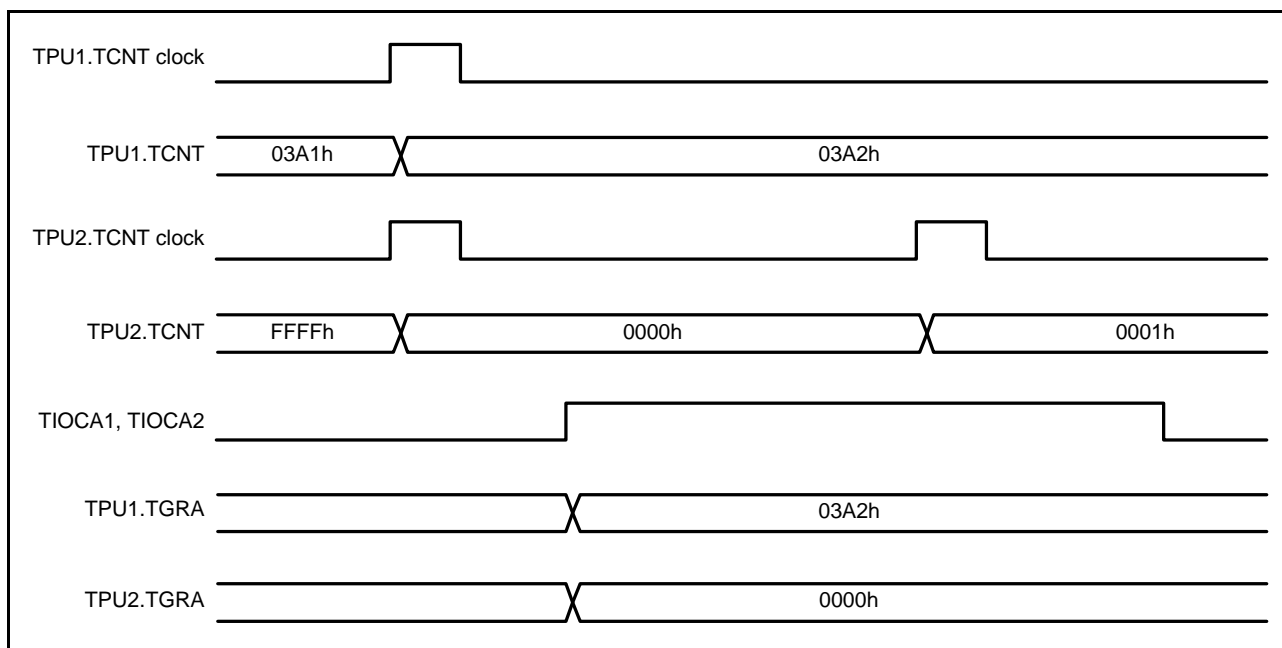


Figure 23.18 Example of Cascaded Operation (1)

Figure 23.19 shows the operation when counting upon TPU2.TCNT overflow/underflow has been set for TPU1.TCNT, and phase counting mode has been specified for TPU2.

TPU1.TCNT is incremented by TPU2.TCNT overflow and decremented by TPU2.TCNT underflow.

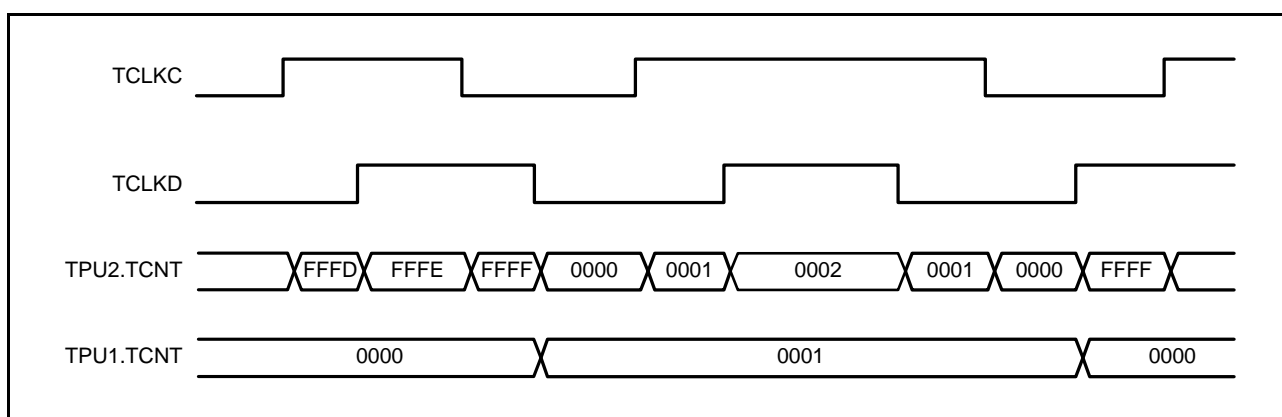


Figure 23.19 Example of Cascaded Operation (2)

23.3.5 PWM Modes

In PWM mode, PWM waveforms are output from the output pins. low-, high-, or toggle-output can be selected as the output level in response to compare match of each TPUm.TGRy.

Settings of TGRy registers can output a PWM waveform in the range of 0% to 100% duty cycle.

Specifying TGRy compare match as the counter clearing source enables the cycle to be set in that register. All channels can be set for PWM mode independently. Synchronous operation is also possible.

There are two PWM modes, as described below.

1. PWM mode 1

PWM waveform is generated from the TIOCA_n and TIOCC_n pins by pairing TPUm.TGRA with TPUm.TGRB and TPUm.TGRC with TPUm.TGRD. The outputs specified by the IOA[3:0] bits in TPUm.TIOR(H) and IOC[3:0] bits in TPUm.TIORL are output from the TIOCA_n and TIOCC_n pins at compare matches A and C, respectively. The outputs specified by the IOB[3:0] bits in TPUm.TIOR(H) and IOD[3:0] bits in TPUm.TIORL are output from the TIOCA_n and TIOCC_n pins at compare matches B and D, respectively. The initial output value is the value set in TGRA or TGRC. If the set values of paired TGRy registers are identical, the output value does not change even when a compare match occurs.

In PWM mode 1, a maximum 8-phase PWM output is possible.

2. PWM mode 2

PWM waveform is generated by using one TPUm.TGRy as the cycle register and the others as duty cycle registers. The output specified in TPUm.TIORH, TPUm.TIORL, or TPUm.TIOR is performed by compare matches. Upon counter clearing by a synchronous register compare match, the output value of each pin is the initial value set in TIORH, TIORL, or TIOR. If the set values of the cycle register and duty cycle register are identical, the output value does not change even when a compare match occurs.

In PWM mode 2, a maximum 15-phase PWM waveform is possible by combined use with synchronous operation.

The correspondence between PWM output pins and registers is listed in Table 23.23.

Table 23.23 PWM Output Registers and Output Pins

Channel	Register	Output Pin	
		PWM Mode 1	PWM Mode 2
TPU0	TPU0.TGRA	TIOCA0	TIOCA0
	TPU0.TGRB		TIOCB0
	TPU0.TGRC	TIOCC0	TIOCC0
	TPU0.TGRD		TIOCD0
TPU1	TPU1.TGRA	TIOCA1	TIOCA1
	TPU1.TGRB		TIOCB1
TPU2	TPU2.TGRA	TIOCA2	TIOCA2
	TPU2.TGRB		TIOCB2
TPU3	TPU3.TGRA	TIOCA3	TIOCA3
	TPU3.TGRB		TIOCB3
	TPU3.TGRC	TIOCC3	TIOCC3
	TPU3.TGRD		TIOCD3
TPU4	TPU4.TGRA	TIOCA4	TIOCA4
	TPU4.TGRB		TIOCB4
TPU5	TPU5.TGRA	TIOCA5	TIOCA5
	TPU5.TGRB		TIOCB5

Note: • In PWM mode 2, PWM waveform output is not possible for the TPU_m.TGR_y register in which the cycle is set.

(1) Example of PWM Mode Setting Procedure

Figure 23.20 shows an example of the PWM mode setting procedure.

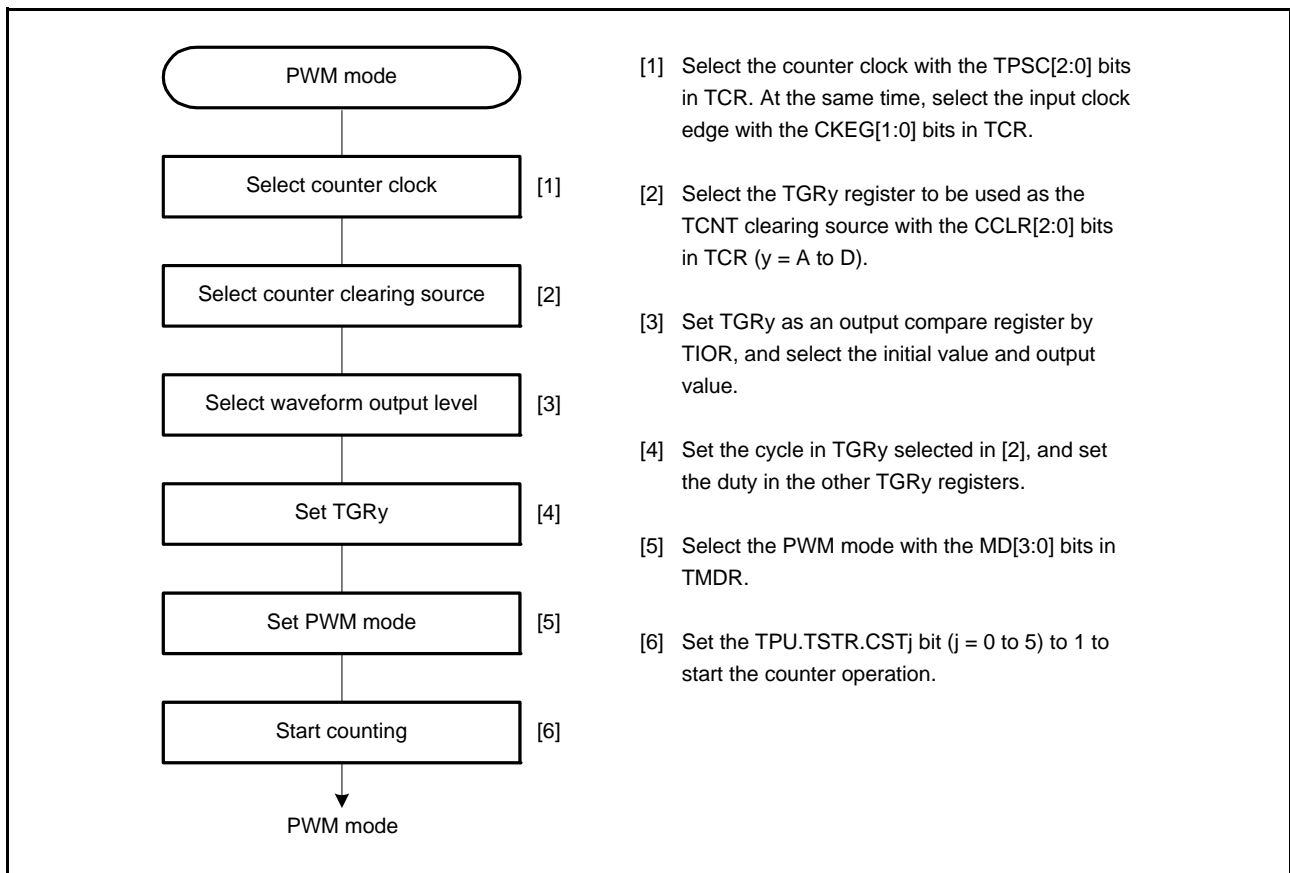


Figure 23.20 Example of PWM Mode Setting Procedure

(2) Examples of PWM Mode Operation

Figure 23.21 shows an example of PWM mode 1 operation.

In this example, TPUm.TGRA compare match is set as the TPUm.TCNT clearing source, low is set for the TGRA initial output value and output value, and high is set as the TPUm.TGRB output value.

In this case, the value set in TGRA is used as the cycle, and the value set in TGRB is used as the duty cycle.

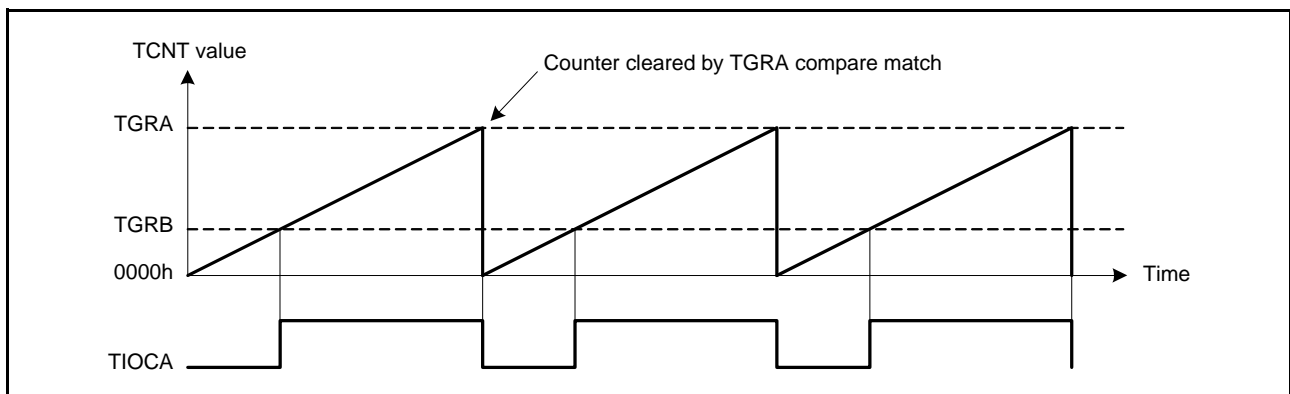


Figure 23.21 Example of PWM Mode Operation (1)

Figure 23.22 shows an example of PWM mode 2 operation.

In this example, synchronous operation is specified for TPU0 and TPU1, TPU1.TGRB compare match is set as the TPUm.TCNT clearing source, and low is set for the initial output value and high for the output value of the other TPUm.TGRy registers (TPU0.TGRA to TPU0.TGRD and TPU1.TGRA), to output a 5-phase PWM waveform.

In this case, the value set in TPU1.TGRB is used as the cycle, and the values set in the other TGRy registers are used as the duty cycle.

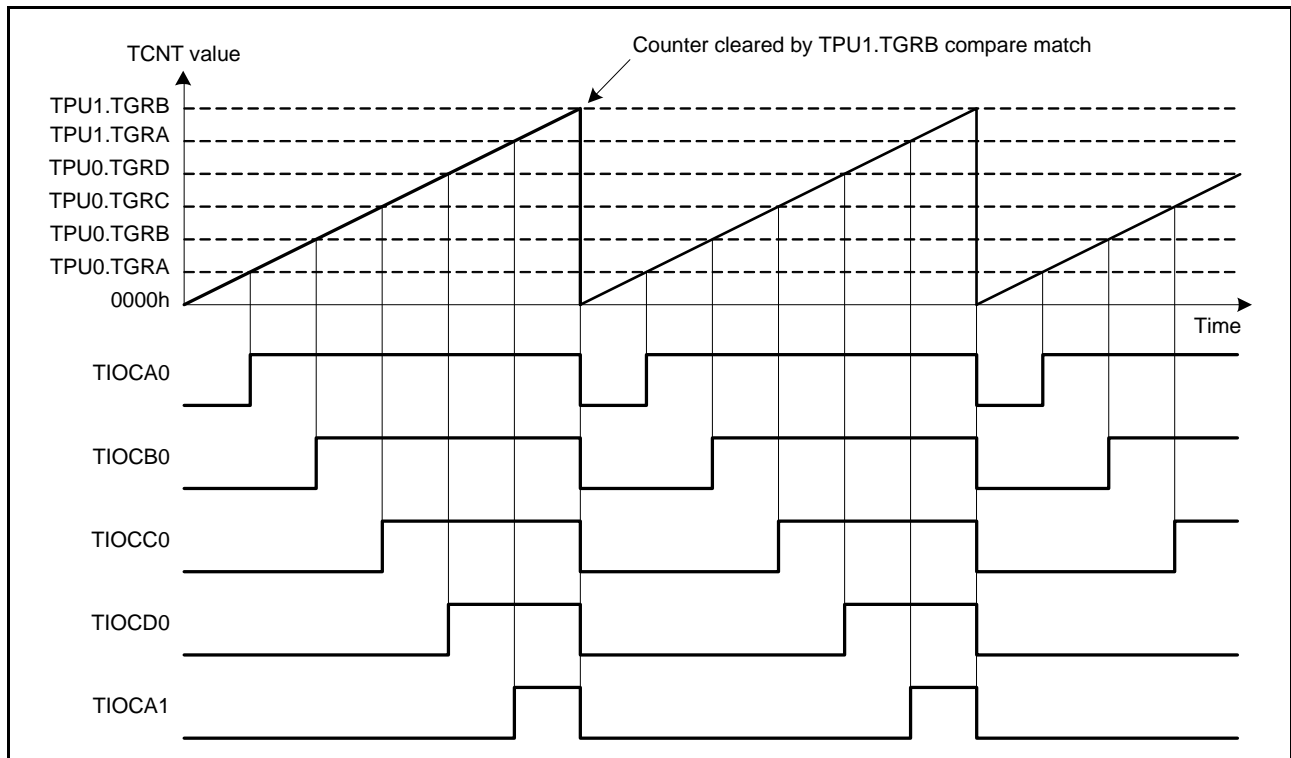


Figure 23.22 Example of PWM Mode Operation (2)

Figure 23.23 shows examples of PWM waveform output with 0% duty cycle and 100% duty cycle in PWM mode.

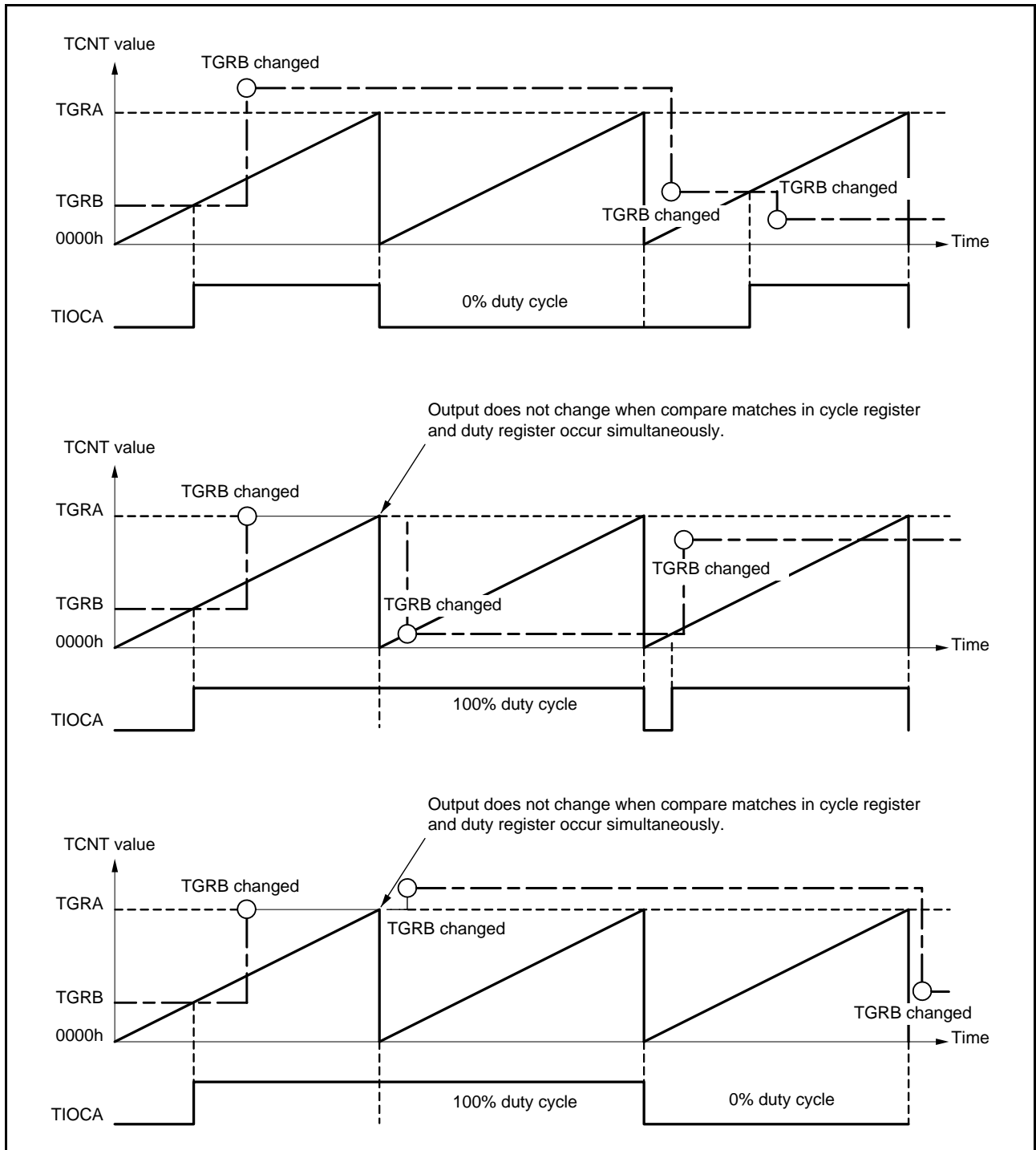


Figure 23.23 Example of PWM Mode Operation (3)

23.3.6 Phase Counting Mode

In phase counting mode, the phase difference between two external clock inputs is detected by the settings for channels 1, 2, 4, and 5, and TPUm.TCNT is incremented/decremented accordingly.

When phase counting mode is set, an external clock is selected as the counter input clock and TCNT operates as an up-/down-counter regardless of the setting of the TPSC[2:0] bits and CKEG[1:0] bits in TPUm.TCR. However, the lower 2 bits of the CCLR[2:0] bits in TPUm.TCR and the functions of TPUm.TIORH, TPUm.TIORL, TPUm.TIOR, TPUm.TIER, and TPUm.TGRy are valid, and therefore input capture/compare match and interrupt functions are available.

This can be used for two-phase encoder pulse input.

When an overflow occurs while TCNT is counting up, a TCIV interrupt request is generated; when an underflow occurs while TCNT is counting down, a TCIU interrupt request is generated. The TCFD bit in TPUm.TSR is the count direction flag. Reading the TCFD flag provides an indication of whether TCNT is counting up or down.

Table 23.24 lists the correspondence between external clock pins and channels.

Table 23.24 Clock Input Pins in Phase Counting Mode

Channel	External Clock Pins	
	A-Phase	B-Phase
When TPU1 or TPU5 is set to phase counting mode	TCLKA	TCLKB
When TPU2 or TPU4 is set to phase counting mode	TCLKC	TCLKD

(1) Example of Phase Counting Mode Setting Procedure

Figure 23.24 shows an example of the phase counting mode setting procedure.

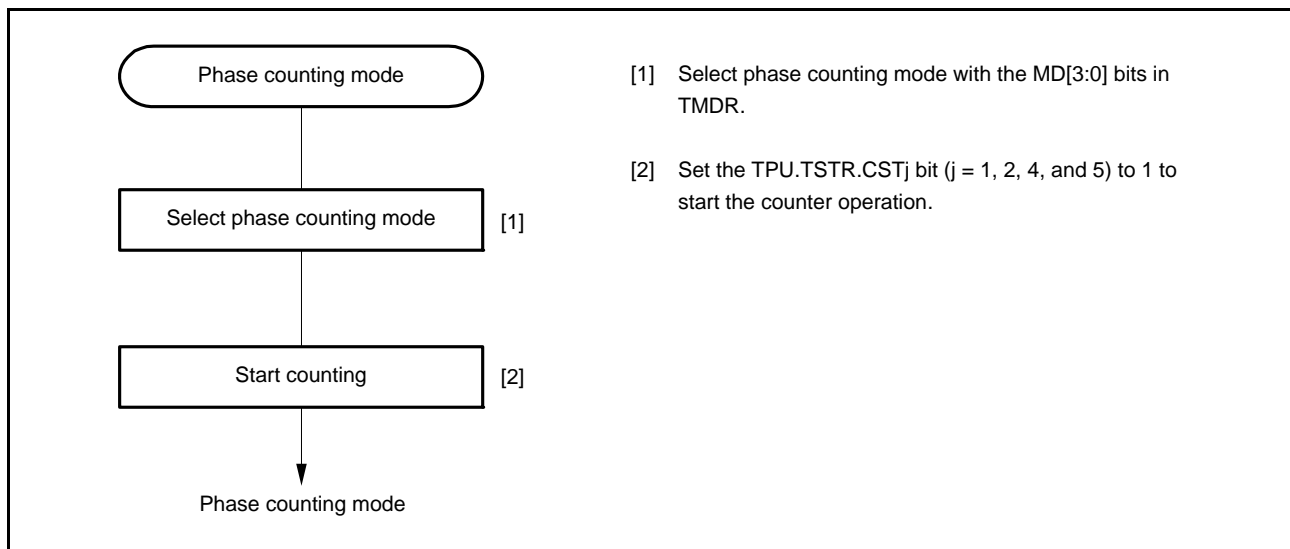


Figure 23.24 Example of Phase Counting Mode Setting Procedure

(2) Examples of Phase Counting Mode Operation

In phase counting mode, TPUm.TCNT counts up or down according to the phase difference between two external clocks. There are four modes, according to the count conditions.

(a) Phase counting mode 1

Figure 23.25 shows an example of phase counting mode 1 operation, and Table 23.25 lists the TPUm.TCNT up-/down-count conditions.

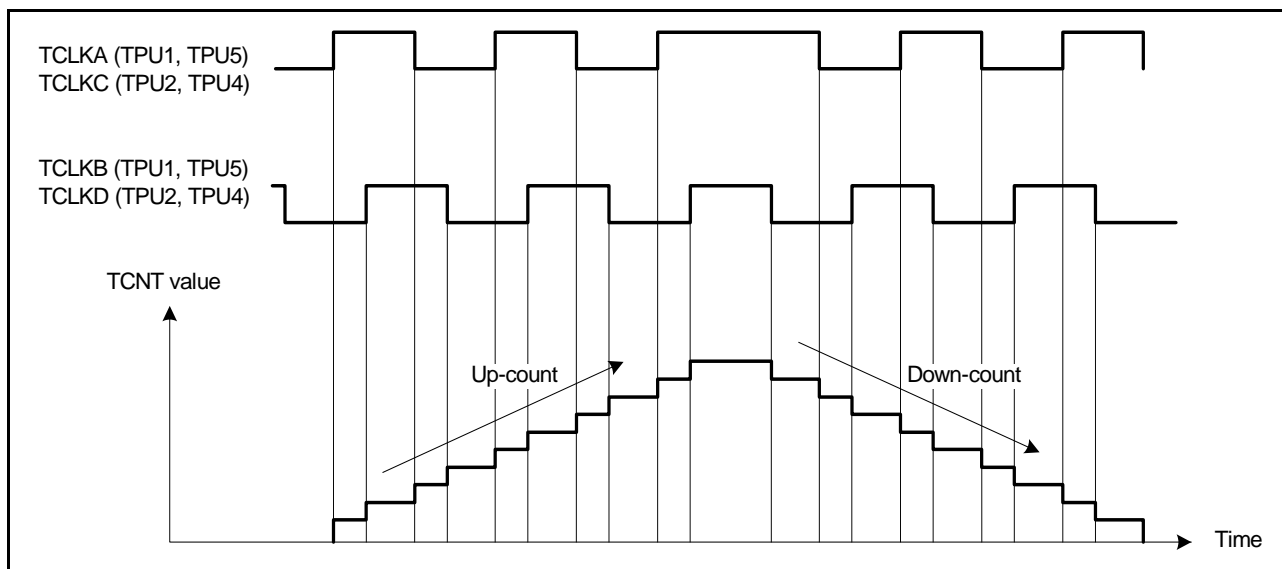


Figure 23.25 Example of Phase Counting Mode 1 Operation

Table 23.25 Up-/Down-Count Conditions in Phase Counting Mode 1

TCLKA (TPU1, TPU5) TCLKC (TPU2, TPU4)	TCLKB (TPU1, TPU5) TCLKD (TPU2, TPU4)	Operation
High		Up-count
Low		
	Low	Down-count
	High	
High		Down-count
Low		
	High	Down-count
	Low	

: Rising edge
 : Falling edge

(b) Phase counting mode 2

Figure 23.26 shows an example of phase counting mode 2 operation, and Table 23.26 lists the TPUm.TCNT up-/down-count conditions.

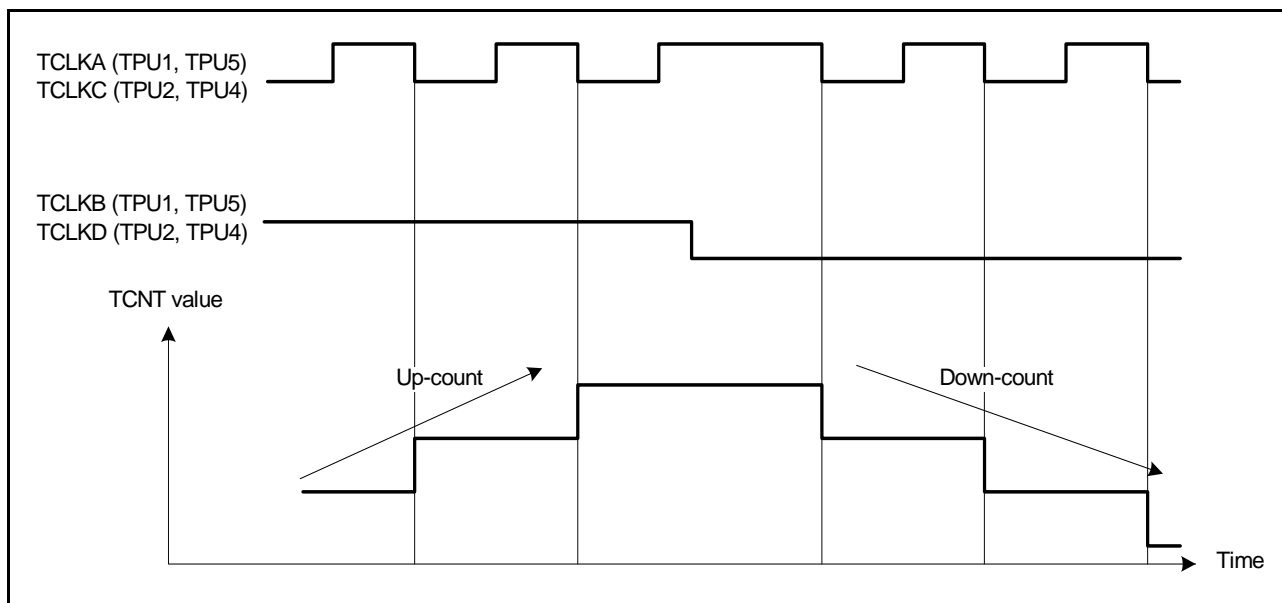


Figure 23.26 Example of Phase Counting Mode 2 Operation

Table 23.26 Up-/Down-Count Conditions in Phase Counting Mode 2

TCLKA (TPU1, TPU5) TCLKC (TPU2, TPU4)	TCLKB (TPU1, TPU5) TCLKD (TPU2, TPU4)	Operation
High		Don't care
Low		Don't care
	Low	Don't care
	High	Up-count
High		Don't care
Low		Don't care
	High	Don't care
	Low	Down-count

: Rising edge
 : Falling edge

(c) Phase counting mode 3

Figure 23.27 shows an example of phase counting mode 3 operation, and Table 23.27 lists the TPU_m.TCNT up-/down-count conditions.

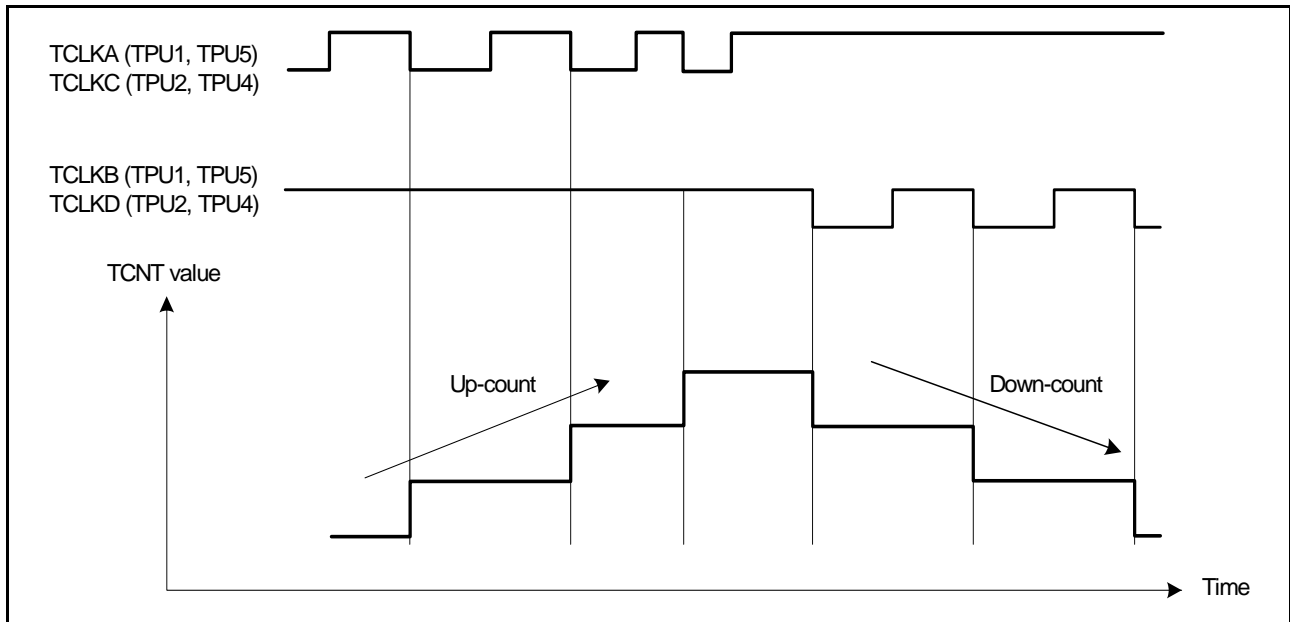


Figure 23.27 Example of Phase Counting Mode 3 Operation

Table 23.27 Up-/Down-Count Conditions in Phase Counting Mode 3

TCLKA (TPU1, TPU5) TCLKC (TPU2, TPU4)	TCLKB (TPU1, TPU5) TCLKD (TPU2, TPU4)	Operation
High		Don't care
Low		Don't care
	Low	Don't care
	High	Up-count
High		Down-count
Low		Don't care
	High	Don't care
	Low	Don't care

: Rising edge
 : Falling edge

(d) Phase counting mode 4

Figure 23.28 shows an example of phase counting mode 4 operation, and Table 23.28 lists the TPU_m.TCNT up-/down-count conditions.

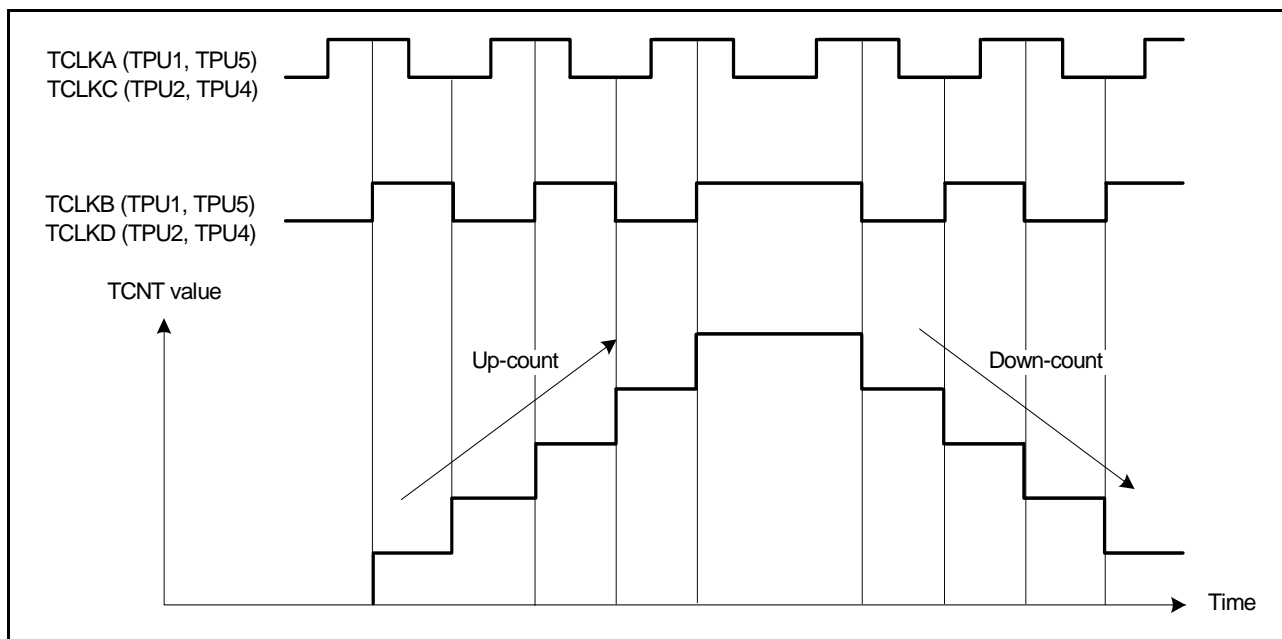


Figure 23.28 Example of Phase Counting Mode 4 Operation

Table 23.28 Up-/Down-Count Conditions in Phase Counting Mode 4

TCLKA (TPU1, TPU5) TCLKC (TPU2, TPU4)	TCLKB (TPU1, TPU5) TCLKD (TPU2, TPU4)	Operation
High		Up-count
Low		Up-count
	Low	Don't care
	High	Don't care
High		Down-count
Low		Down-count
	High	Don't care
	Low	Don't care

: Rising edge
 : Falling edge

23.3.6.1 Phase Counting Mode Application Example

Figure 23.29 shows an example in which phase counting mode is set for TPU1, and TPU1 is coupled with TPU0 to input servo motor 2-phase encoder pulses in order to detect the position or speed.

TPU1 is set to phase counting mode 1, and the encoder pulse A-phase and B-phase are input to the TCLKA and TCLKB pins.

TPU0 operates with TPU0.TCNT counter clearing by TPU0.TGRC compare match; TPU0.TGRA and TPU0.TGRC are used for the compare match function and are set with the speed control cycle and position control cycle. TPU0.TGRB is used for input capture, with TPU0.TGRB and TPU0.TGRD operating in buffer mode. The TPU1 counter input clock is specified as the TPU0.TGRB input capture source, and the pulse width of 2-phase encoder 4-multiplication pulses is detected.

TPU1.TGRA and TPU1.TGRB for TPU1 are specified for input capture, TPU0.TGRA and TPU0.TGRC compare matches are selected as the input capture source, and the up-/down-counter values for the control cycles are stored.

This procedure enables accurate position/speed detection to be achieved.

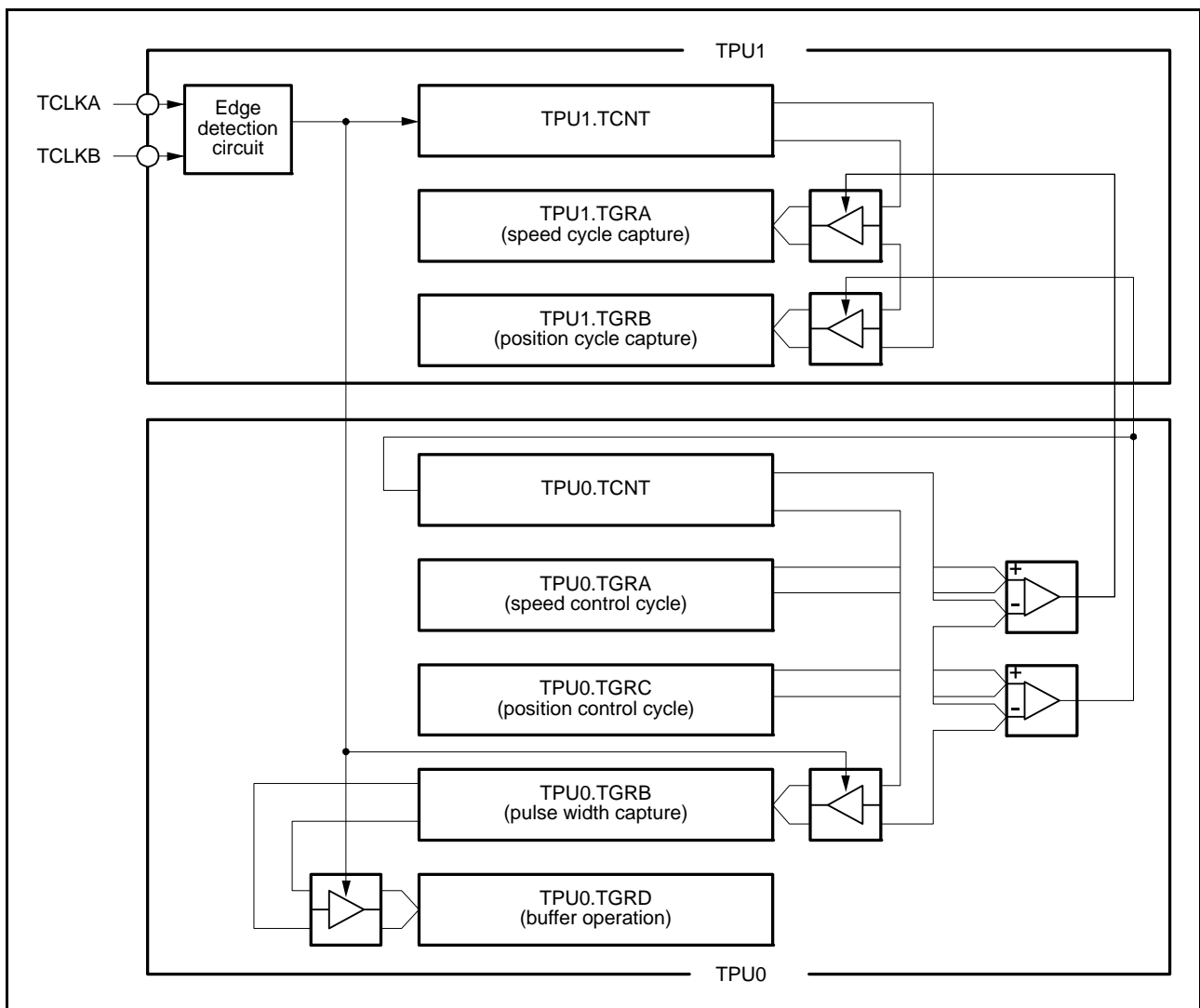


Figure 23.29 Phase Counting Mode Application Example

23.3.7 Noise Filters

Each pin for use in input capture by TPU is equipped with a noise filter. The noise filter samples the level on the pin three times at the selected sampling interval, conveys the level to the internal circuits if the samples match, and continues to convey that level until the other level is sampled from the pins three times in a row. The noise filter function can be enabled or disabled for each pin. Furthermore, sampling clock settings can be made for each channel.

Figure 23.30 is a timing chart for the noise filter.

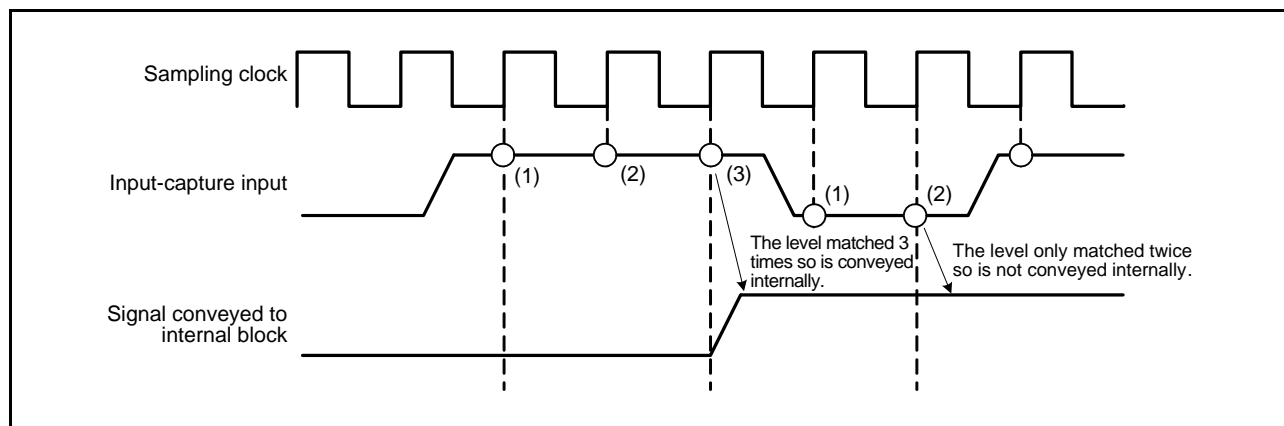


Figure 23.30 Timing Chart for the Noise Filter

23.4 Interrupt Sources

There are three kinds of TPU interrupt sources: TPUm.TGRy input capture/compare match, TPUm.TCNT overflow, and TPUm.TCNT underflow.

Relative channel priority levels can be changed by the interrupt controller, but the priority within a channel is fixed. For details, see section 14, Interrupt Controller (ICUb).

Table 23.29 lists the TPU interrupt sources.

Table 23.29 TPU Interrupt Sources

Channel	Name	Interrupt Source	DTC Activation	DMAC Activation
TPU0	TGI0A	TPU0.TGRA input capture/compare match	Possible	Possible
	TGI0B	TPU0.TGRB input capture/compare match	Possible	Not possible
	TGI0C	TPU0.TGRC input capture/compare match	Possible	Not possible
	TGI0D	TPU0.TGRD input capture/compare match	Possible	Not possible
	TCI0V	TPU0.TCNT overflow	Not possible	Not possible
TPU1	TGI1A	TPU1.TGRA input capture/compare match	Possible	Possible
	TGI1B	TPU1.TGRB input capture/compare match	Possible	Not possible
	TCI1V	TPU1.TCNT overflow	Not possible	Not possible
	TCI1U	TPU1.TCNT underflow	Not possible	Not possible
TPU2	TGI2A	TPU2.TGRA input capture/compare match	Possible	Possible
	TGI2B	TPU2.TGRB input capture/compare match	Possible	Not possible
	TCI2V	TPU2.TCNT overflow	Not possible	Not possible
	TCI2U	TPU2.TCNT underflow	Not possible	Not possible
TPU3	TGI3A	TPU3.TGRA input capture/compare match	Possible	Possible
	TGI3B	TPU3.TGRB input capture/compare match	Possible	Not possible
	TGI3C	TPU3.TGRC input capture/compare match	Possible	Not possible
	TGI3D	TPU3.TGRD input capture/compare match	Possible	Not possible
	TCI3V	TPU3.TCNT overflow	Not possible	Not possible
TPU4	TGI4A	TPU4.TGRA input capture/compare match	Possible	Possible
	TGI4B	TPU4.TGRB input capture/compare match	Possible	Not possible
	TCI4V	TPU4.TCNT overflow	Not possible	Not possible
	TCI4U	TPU4.TCNT underflow	Not possible	Not possible
TPU5	TGI5A	TPU5.TGRA input capture/compare match	Possible	Possible
	TGI5B	TPU5.TGRB input capture/compare match	Possible	Not possible
	TCI5V	TPU5.TCNT overflow	Not possible	Not possible
	TCI5U	TPU5.TCNT underflow	Not possible	Not possible

Note: • This table lists the initial state immediately after a reset. The relative channel priority levels can be changed by the interrupt controller.

(1) Input Capture/Compare Match Interrupt

An interrupt is requested when the TGIE_y bit ($y = A, B, C, D$) in TPU_m.TIER is set to 1 by the occurrence of a TPU_m.TGR_y input capture/compare match on a channel. The TPU has 16 input capture/compare match interrupts, four each for TPU0 and TPU3, and two each for TPU1, TPU2, TPU4 and TPU5.

(2) Overflow Interrupt

An interrupt is requested when the TCIEV bit in TPU_m.TIER is set to 1 by the occurrence of a TPU_m.TCNT overflow on a channel. The TPU has six overflow interrupts, one for each channel.

(3) Underflow Interrupt

An interrupt is requested when the TCIEU bit in TPU_m.TIER is set to 1 by the occurrence of a TPU_m.TCNT underflow on a channel. The TPU has four underflow interrupts, one each for TPU1, TPU2, TPU4 and TPU5.

23.5 DTC Activation

The DTC can be activated by the TPU_m.TGR_y input capture/compare match interrupt of each channel. For details, see section 17, Data Transfer Controller (DTCa).

A total of 16 input capture/compare match interrupts can be used as DTC activation sources, four each for TPU0 and TPU3, and two each for TPU1, TPU2, TPU4 and TPU5.

23.6 DMAC Activation

The DMAC can be activated by the TPU_m.TGRA input capture/compare match interrupt of each channel. For details, see section 16, DMA Controller (DMACA).

A total of six TPU_m.TGRA input capture/compare match interrupts can be used as DMAC activation sources, one for each channel.

23.7 A/D Converter Activation

The TPU can activate the A/D converter by the TPU_m.TGRA input capture/compare match for each channel. Moreover, the A/D converter is activated by the TGRA to TGRD input capture/compare match from TPU0.

When the TTGE bit in TPU_m.TIER is set to 1, the TPU requests the A/D converter to start A/D conversion by the occurrence of a TPU_m.TGRA input capture/compare match on a particular channel. Moreover, when the TGRA to TGRD input capture/compare match occurs in TPU0, the TPU requests the corresponding A/D converter to start A/D conversion. If the TPU conversion start trigger has been selected on the A/D converter side at this time, A/D conversion is started. These four A/D conversion start request signals cannot enable or disable the request signal generation by TIER.TTGE bit.

23.8 Operation Timing

23.8.1 Input/Output Timing

(1) TPUm.TCNT Count Timing

Figure 23.31 shows TPUm.TCNT count timing in internal clock operation, and Figure 23.32 shows TCNT count timing in external clock operation.

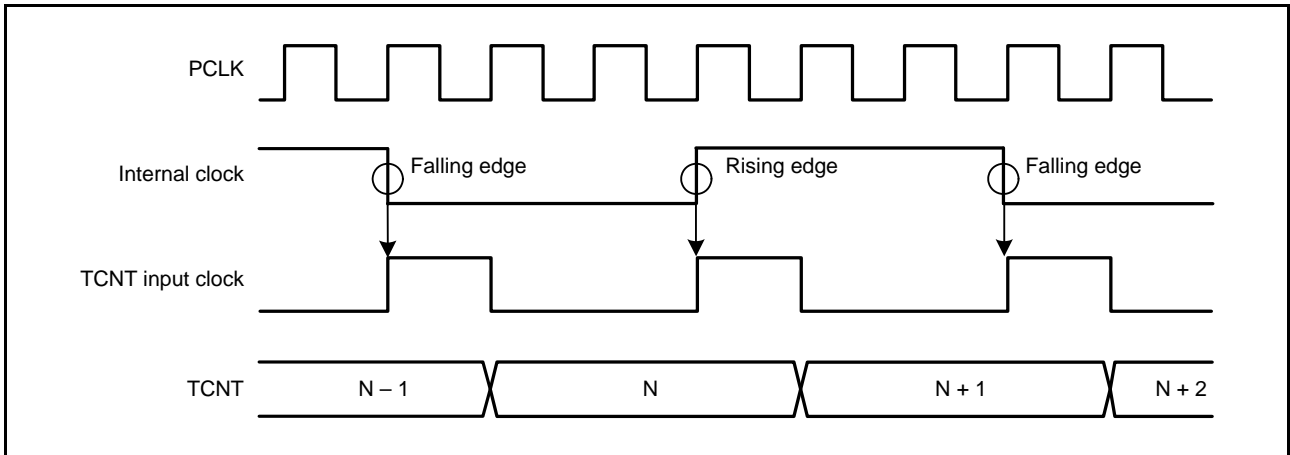


Figure 23.31 Count Timing in Internal Clock Operation

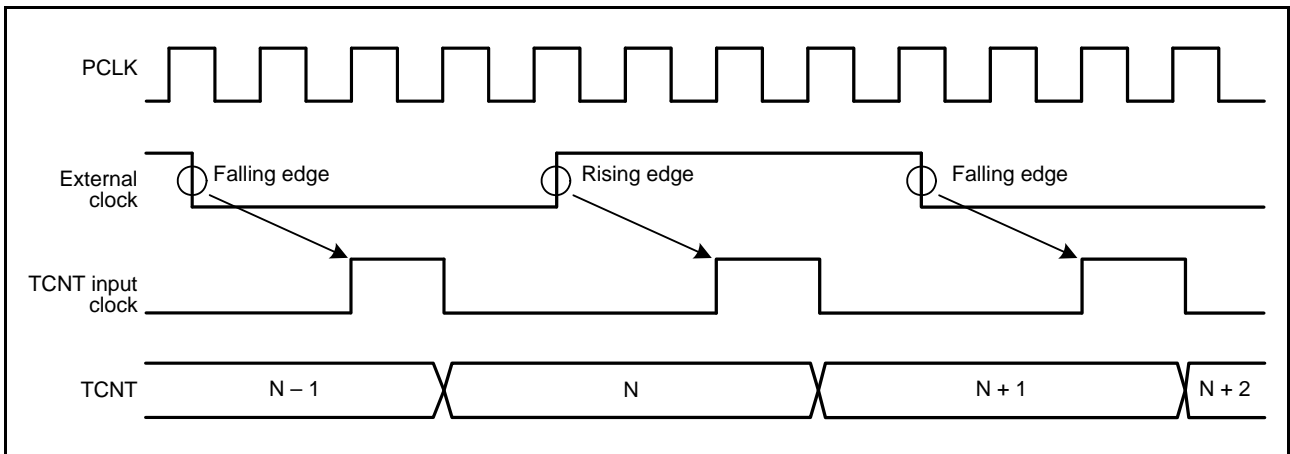


Figure 23.32 Count Timing in External Clock Operation

(2) Output Compare Output Timing

A compare match signal is generated in the final state in which TPUm.TCNT and TPUm.TGRy match (the point at which the count value matched by TCNT is updated). When a compare match signal is generated, the output value set in TPUm.TIORH, TPUm.TIORL, or TPUm.TIOR is output to the output compare output pin TIOCyn (y = A to D, n = 0 to 5). After a match between TCNT and TGRy, the compare match signal is not generated until the TCNT input clock is generated.

Figure 23.33 shows output compare output timing.

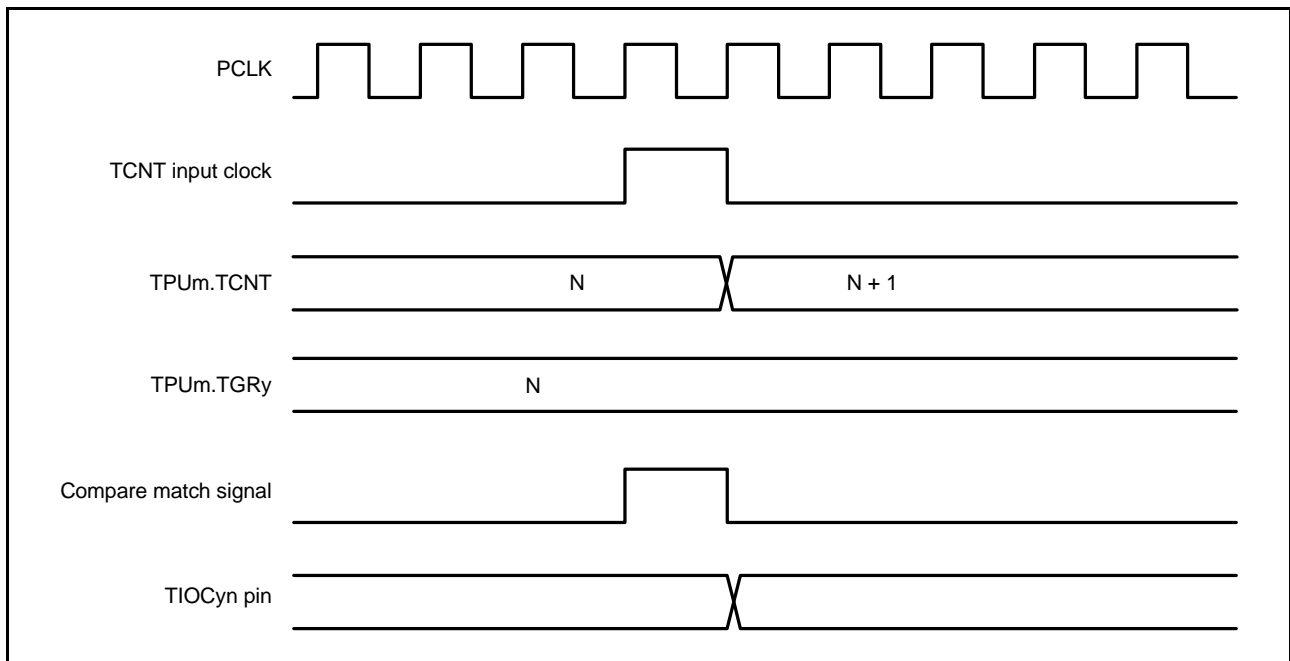


Figure 23.33 Output Compare Output Timing

(3) Input Capture Signal Timing

Figure 23.34 shows input capture signal timing.

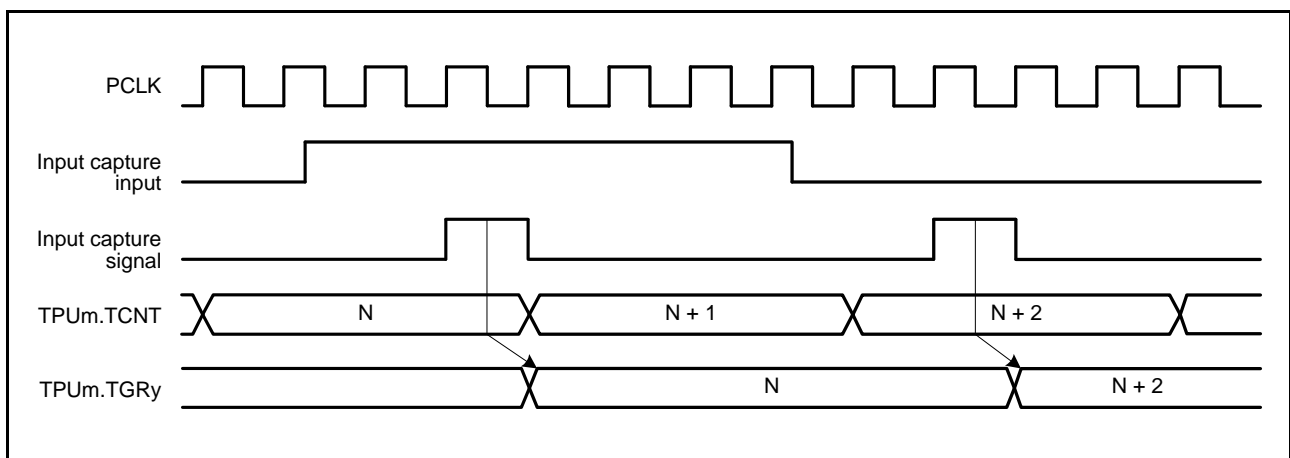


Figure 23.34 Input Capture Signal Timing

(4) Timing for Counter Clearing by Compare Match/Input Capture

Figure 23.35 shows the timing when counter clearing by compare match occurrence is specified, and Figure 23.36 shows the timing when counter clearing by input capture occurrence is specified.

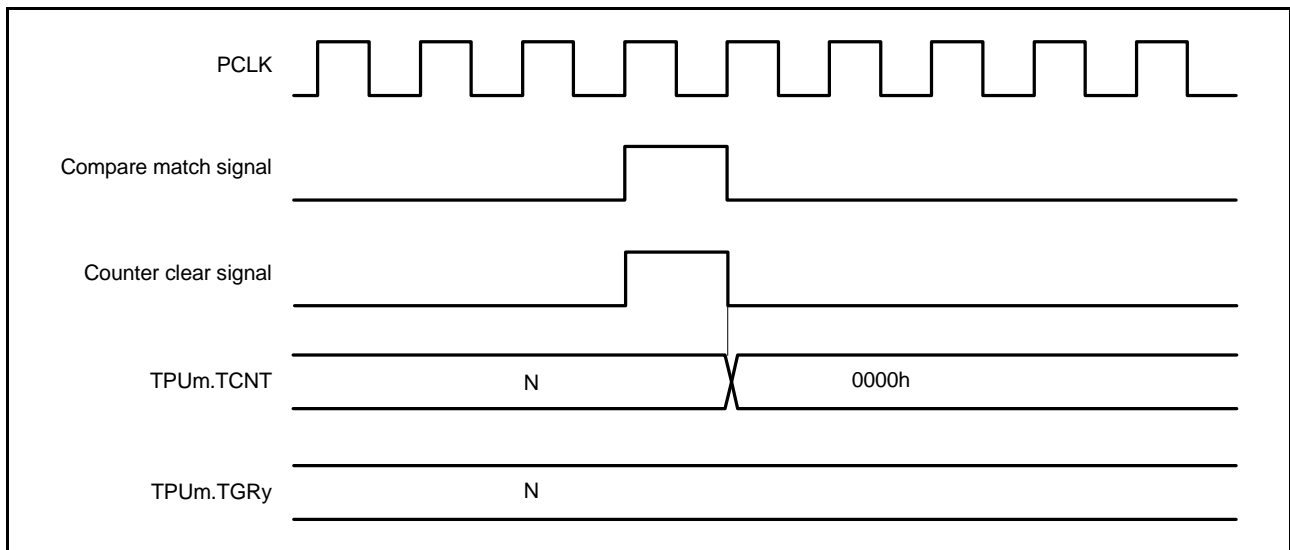


Figure 23.35 Counter Clear Timing (Compare Match)

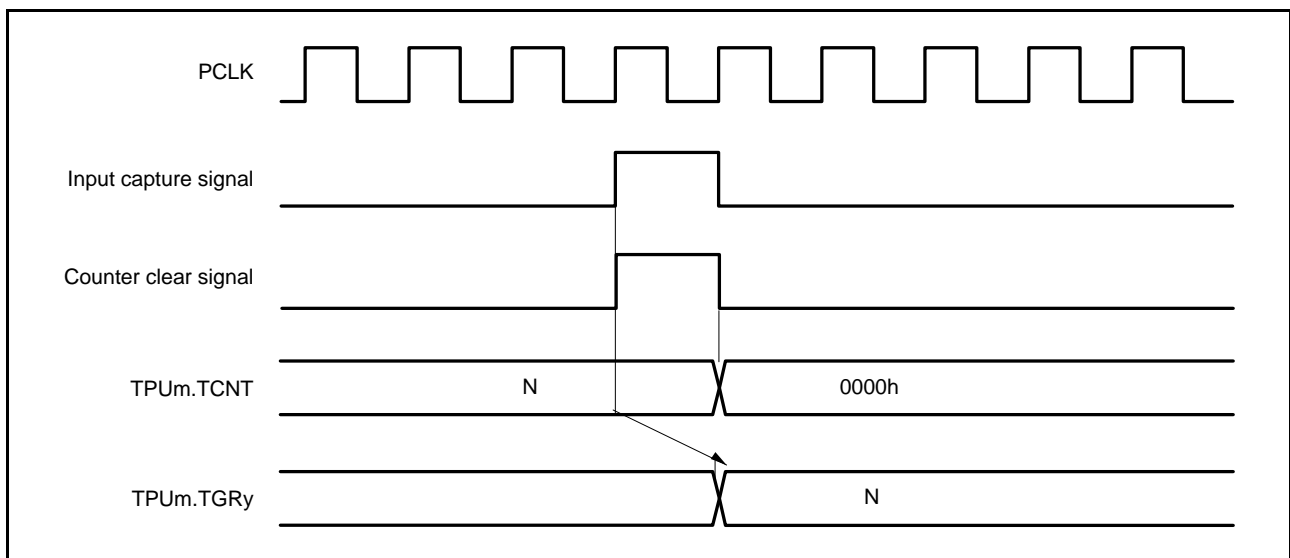


Figure 23.36 Counter Clear Timing (Input Capture)

(5) Buffer Operation Timing

Figure 23.37 and Figure 23.38 show the timings in buffer operation.

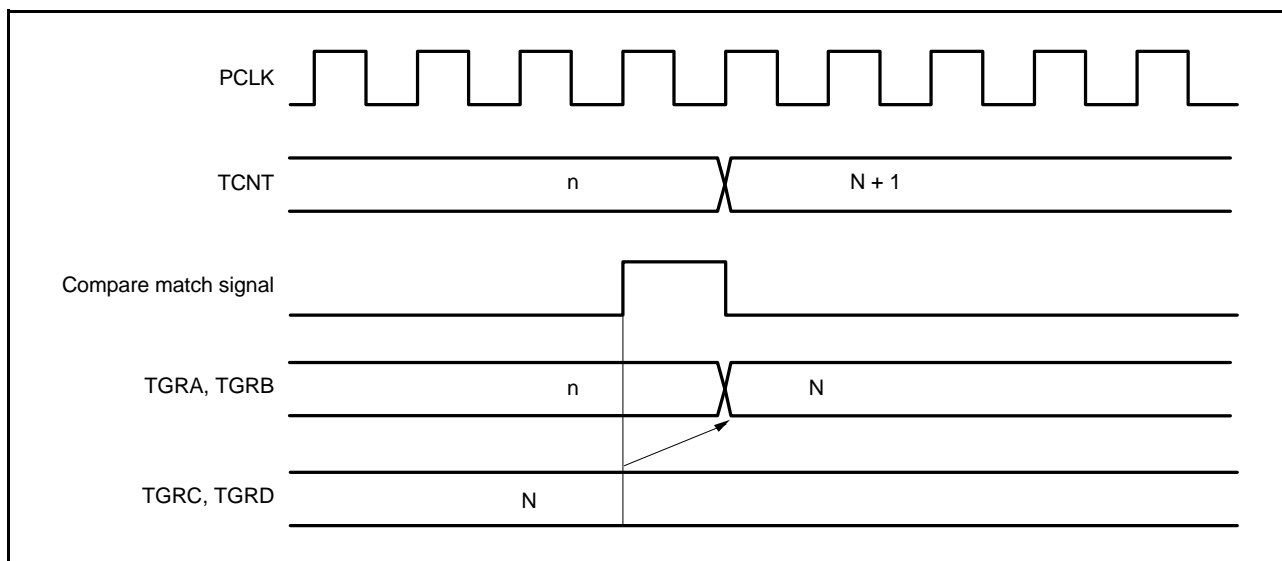


Figure 23.37 Buffer Operation Timing (Compare Match)

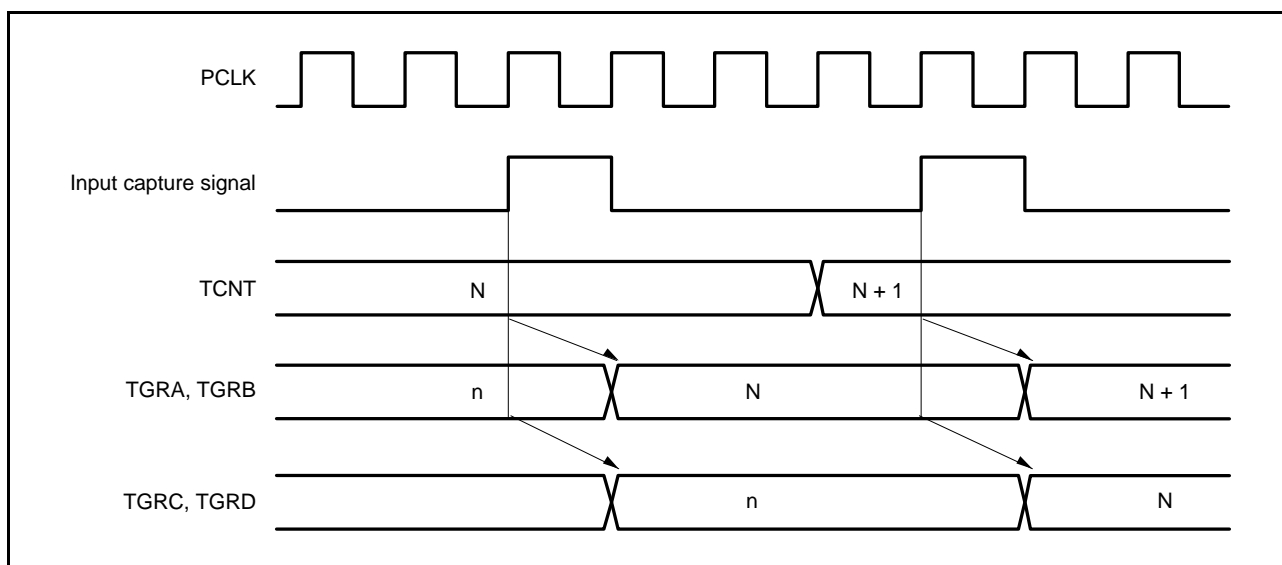


Figure 23.38 Buffer Operation Timing (Input Capture)

23.8.2 Interrupt Signal Timing

(1) Interrupt Flag Setting to 1 in Case of Compare Match

Figure 23.39 shows the timing for setting the interrupt flag by compare match occurrence.

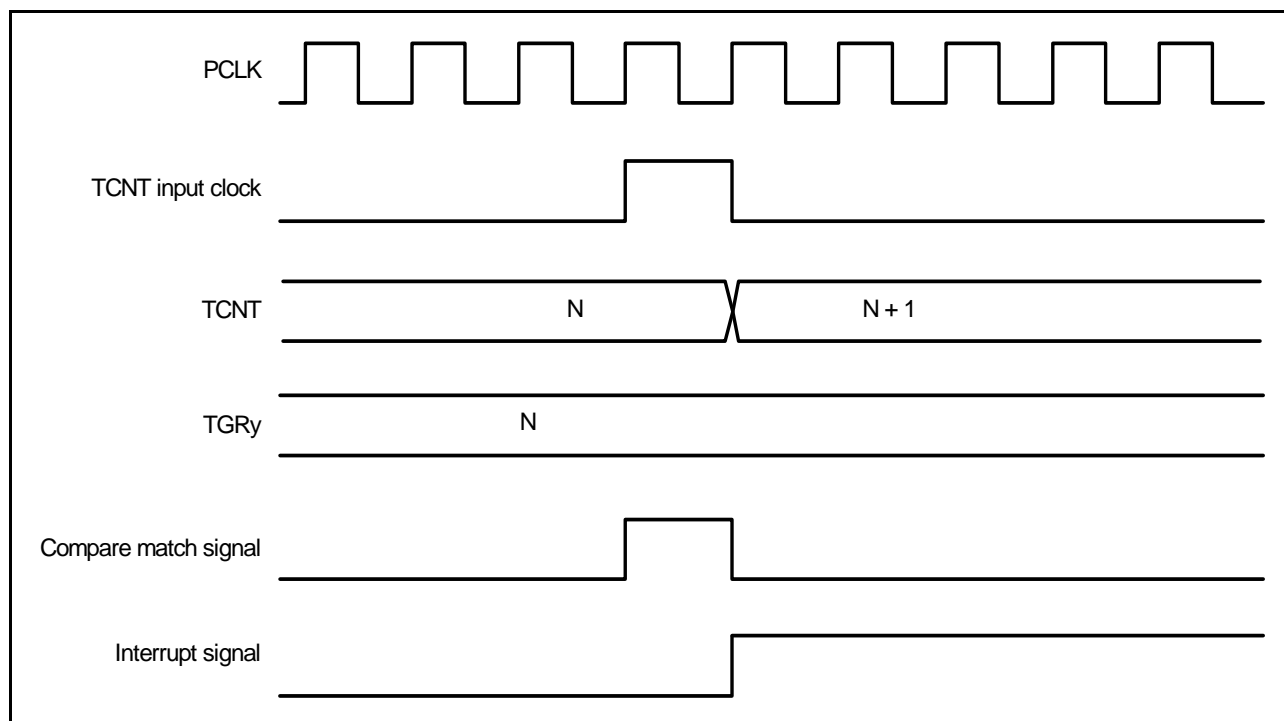


Figure 23.39 TGI_{my} Interrupt Timing (Compare Match)

(2) Interrupt Flag Setting to 1 in Case of Input Capture

Figure 23.40 shows the timing for setting the interrupt flag by input capture occurrence.

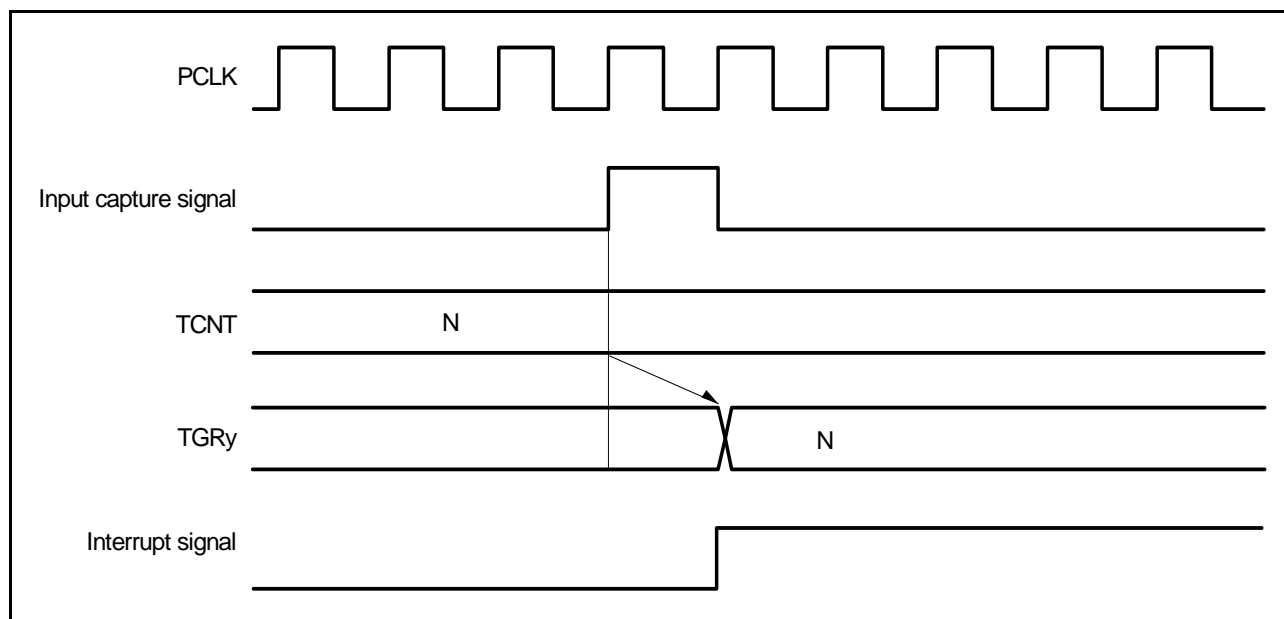


Figure 23.40 TGI_{my} Interrupt Timing (Input Capture)

(3) TCImV/TCImU Interrupt Flag Setting to 1

Figure 23.41 shows the timing for generating the TCImV interrupt request signal by overflow occurrence.

Figure 23.42 shows the timing for generating the TCImU interrupt request signal by underflow occurrence.

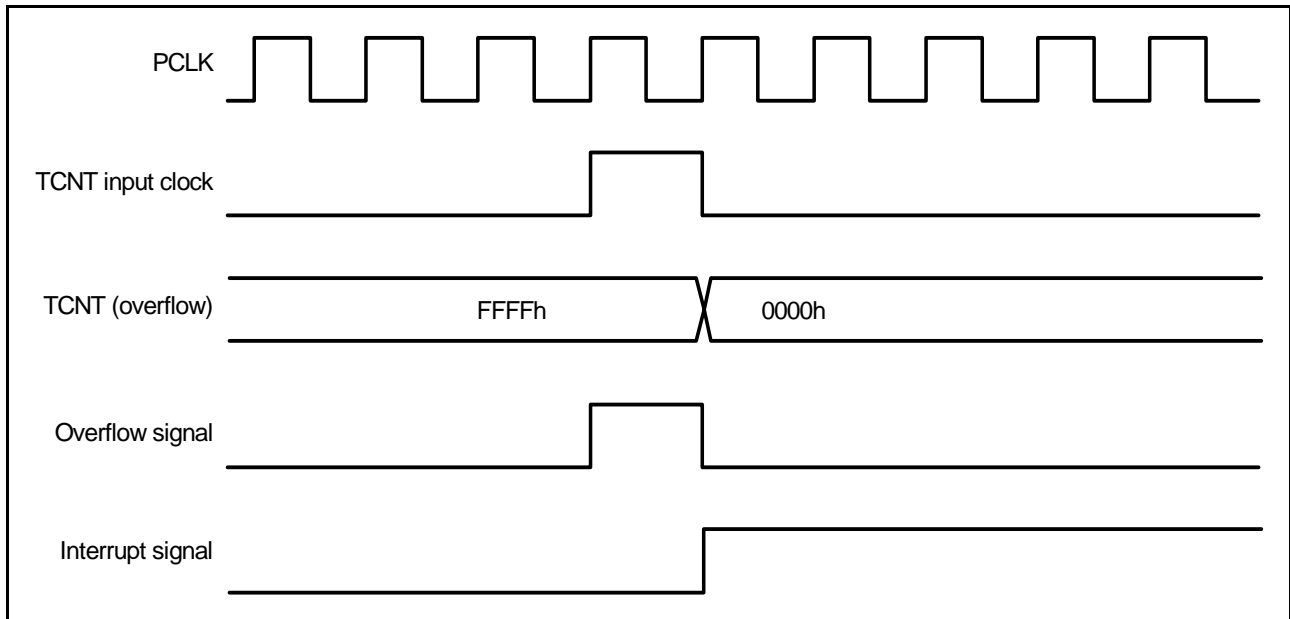


Figure 23.41 TCImV Interrupt Setting Timing

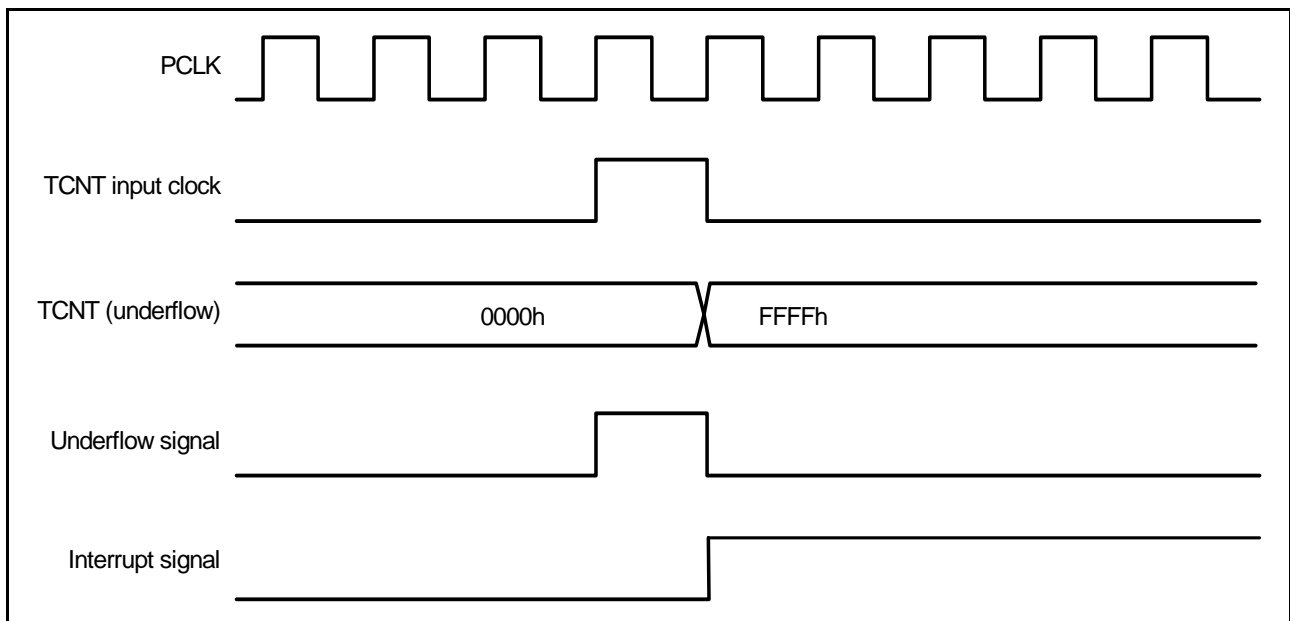


Figure 23.42 TCImU Interrupt Setting Timing

23.9 Usage Notes

23.9.1 Module Stop Function Setting

Operation of the TPU can be disabled or enabled using the module stop control register. The TPU does not operate with the initial setting. Register access is enabled by clearing module stop state. For details, see section 11, Low Power Consumption.

23.9.2 Input Clock Restrictions

The input clock pulse width must be at least 1.5 PCLK cycles in the case of single-edge detection, and at least 2.5 PCLK cycles in the case of both-edge detection. The TPUA will not operate properly with a narrower pulse width.

In phase counting mode, the phase difference and overlap between the two input clocks must be at least 1.5 PCLK cycles, and the pulse width must be at least 2.5 PCLK cycles. Figure 23.43 shows the input clock conditions in phase counting mode.

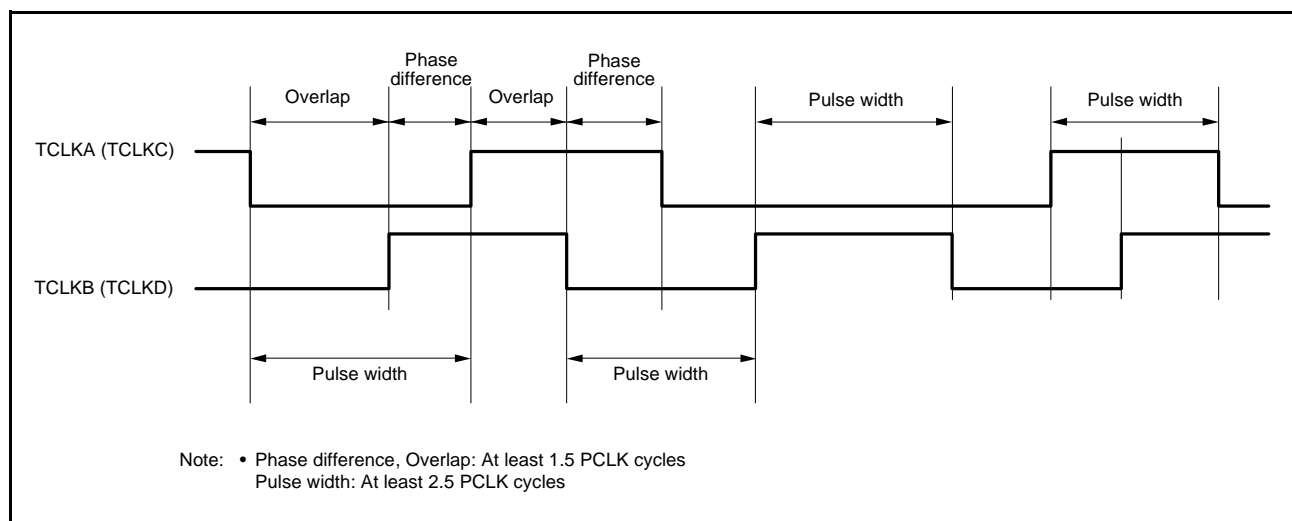


Figure 23.43 Phase Difference, Overlap, and Pulse Width in Phase Counting Mode

23.9.3 Caution on Cycle Setting

When counter clearing by compare match is set, TPUm.TCNT is cleared in the final state in which it matches the TPUm.TGRy value (the point at which the count value matched by TCNT is updated). Consequently, the actual counter frequency is given by the following formula:

$$f = \frac{PCLK}{(N + 1)}$$

- f: Counter frequency
- PCLK: Operating frequency
- N: TGRy set value

23.9.4 Conflict between TPUm.TCNT Write and Clear Operations

If the counter clearing signal is generated in a TCNT write cycle, TCNT clearing takes precedence and the TCNT write is not performed. Figure 23.44 shows the timing in this case.

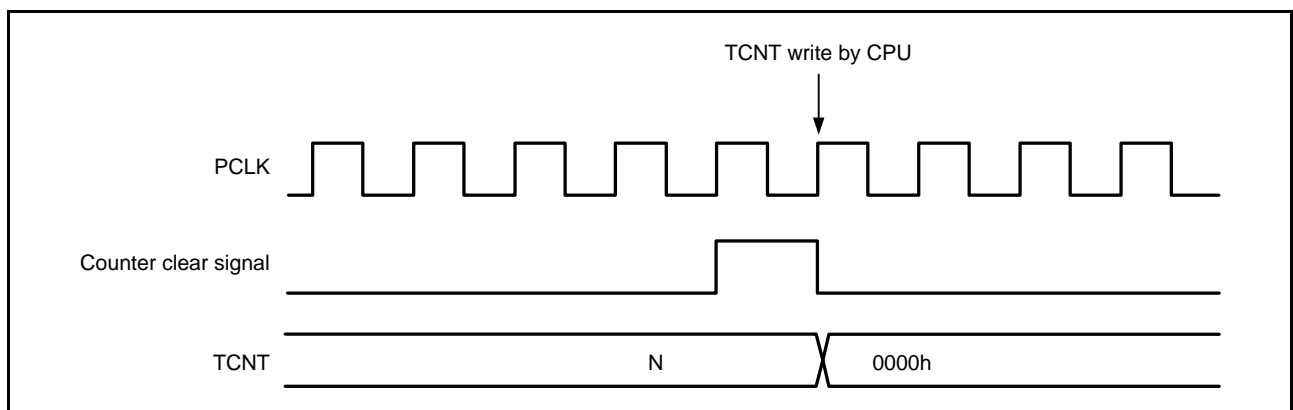


Figure 23.44 Conflict between TPUm.TCNT Write and Clear Operations

23.9.5 Conflict between TPUm.TCNT Write and Increment Operations

If incrementing occurs in a TCNT write cycle, the TCNT write takes precedence and TCNT is not incremented. Figure 23.45 shows the timing in this case.

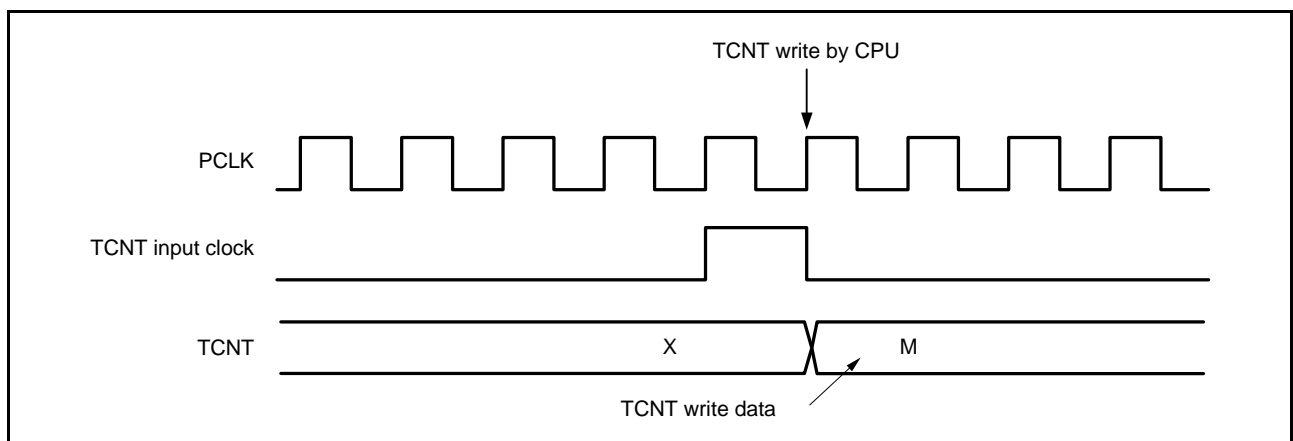


Figure 23.45 Conflict between TPUm.TCNT Write and Increment Operations

23.9.6 Conflict between TPUM.TGRy Write and Compare Match

If a compare match occurs in a TGRy write cycle, the TGRy write takes precedence and the compare match signal is disabled. A compare match also does not occur when the same value as before is written.

Figure 23.46 shows the timing in this case.

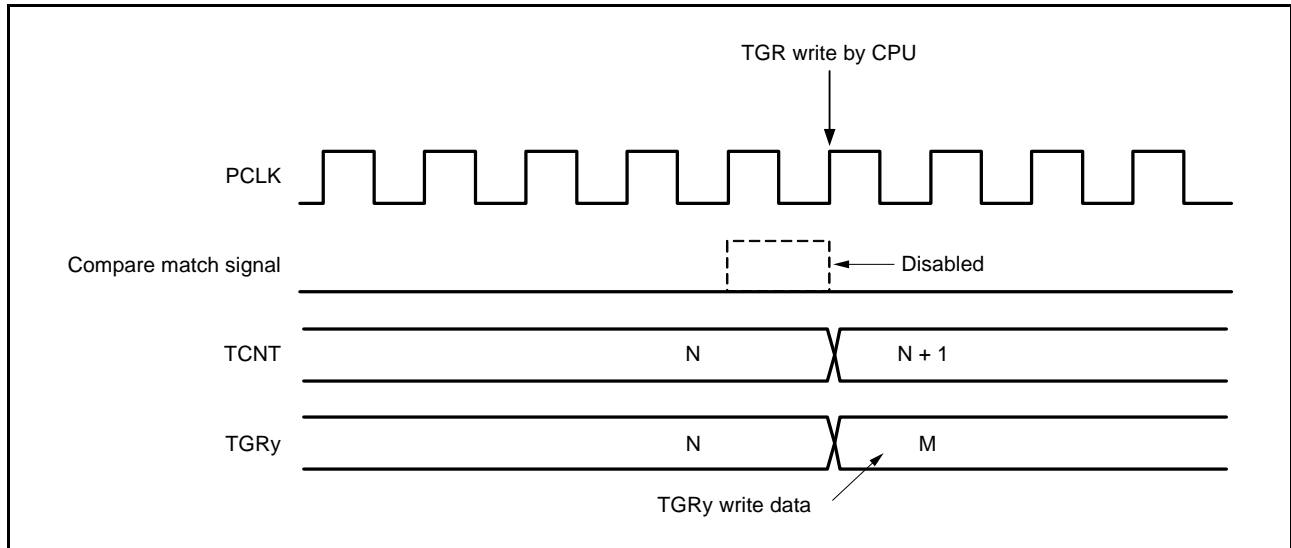


Figure 23.46 Conflict between TPUM.TGRy Write and Compare Match

23.9.7 Conflict between Buffer Register Write and Compare Match

If a compare match occurs in a TPUM.TGRy write cycle, the data transferred to TGRy by the buffer operation will be the data before writing.

Figure 23.47 shows the timing in this case.

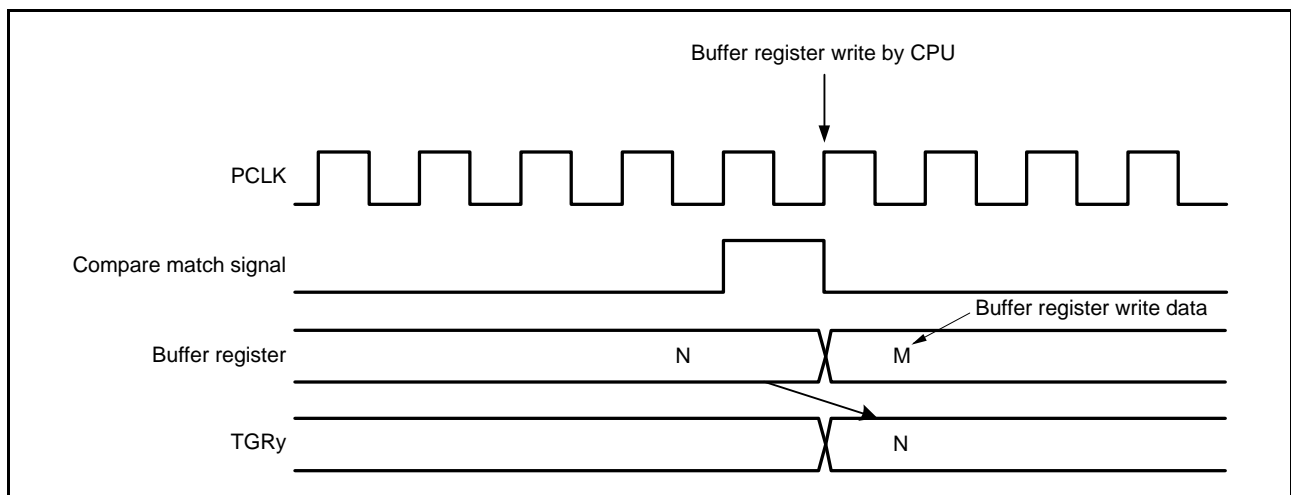


Figure 23.47 Conflict between Buffer Register Write and Compare Match

23.9.8 Conflict between TPUM.TGRy Read and Input Capture

If the input capture signal is generated in a TGRy read cycle, the data that is read will be the data before input capture transfer.

Figure 23.48 shows the timing in this case.

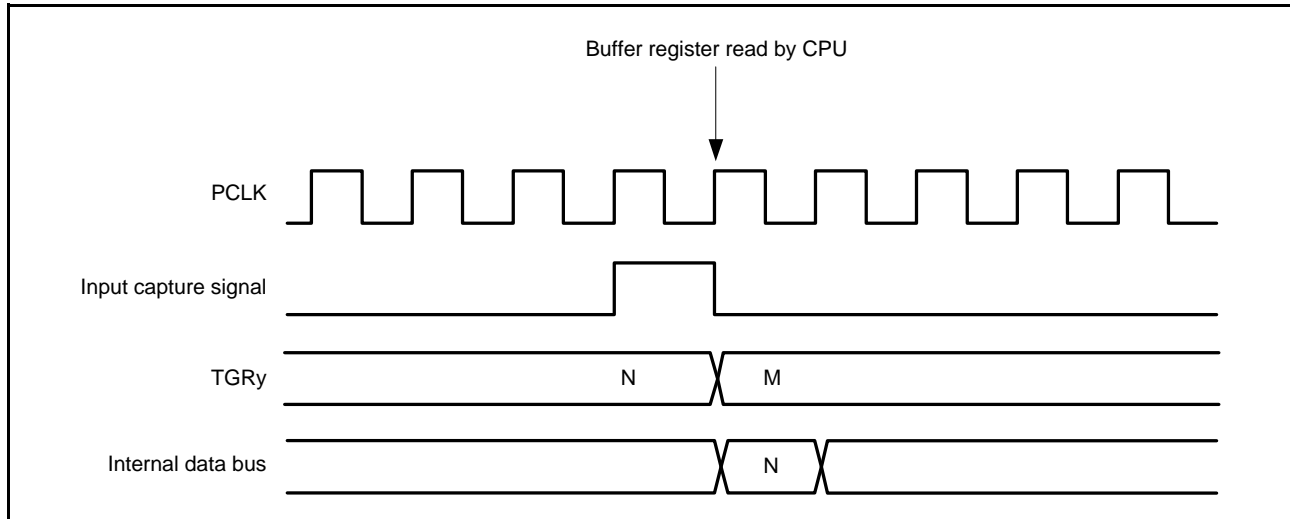


Figure 23.48 Conflict between TPUM.TGRy Read and Input Capture

23.9.9 Conflict between TPUM.TGRy Write and Input Capture

If the input capture signal is generated in a TGRy write cycle, the input capture operation takes precedence and the write to TGRy is not performed. Figure 23.49 shows the timing in this case.

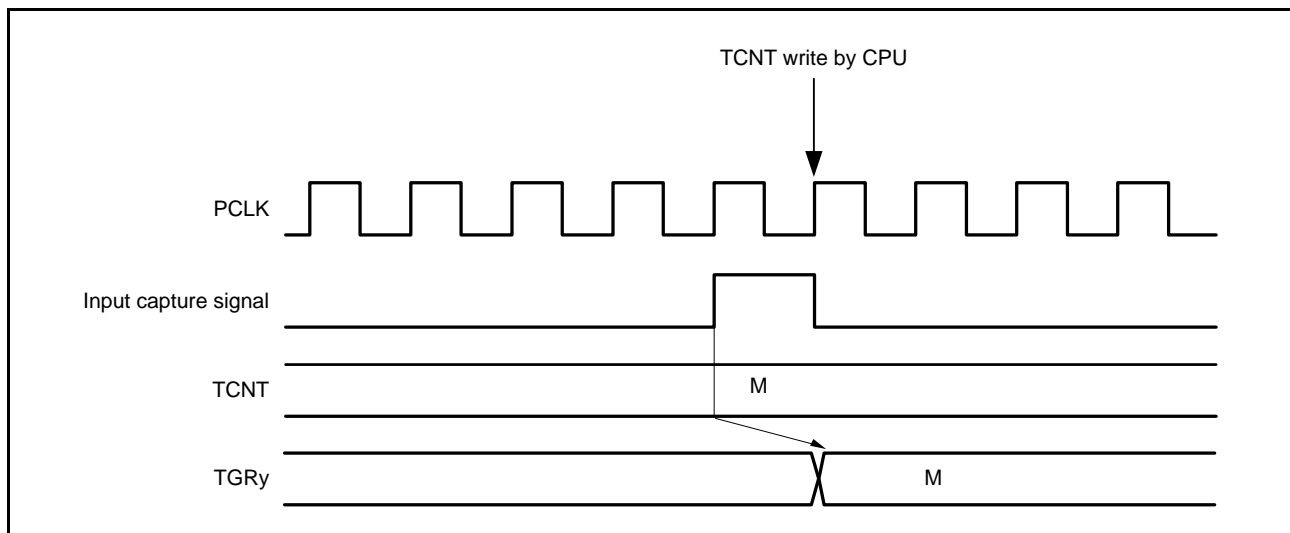


Figure 23.49 Conflict between TPUM.TGRy Write and Input Capture

23.9.10 Conflict between Buffer Register Write and Input Capture

If the input capture signal is generated in a buffer register write cycle, the buffer operation takes precedence and the write to the buffer register is not performed. Figure 23.50 shows the timing in this case.

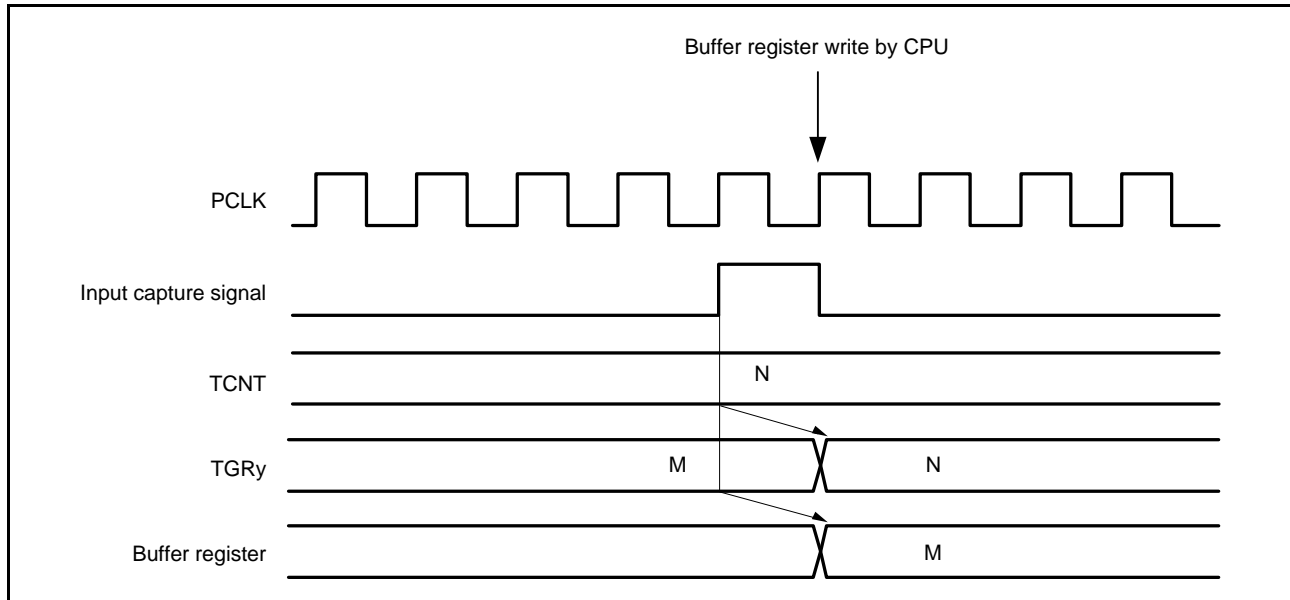
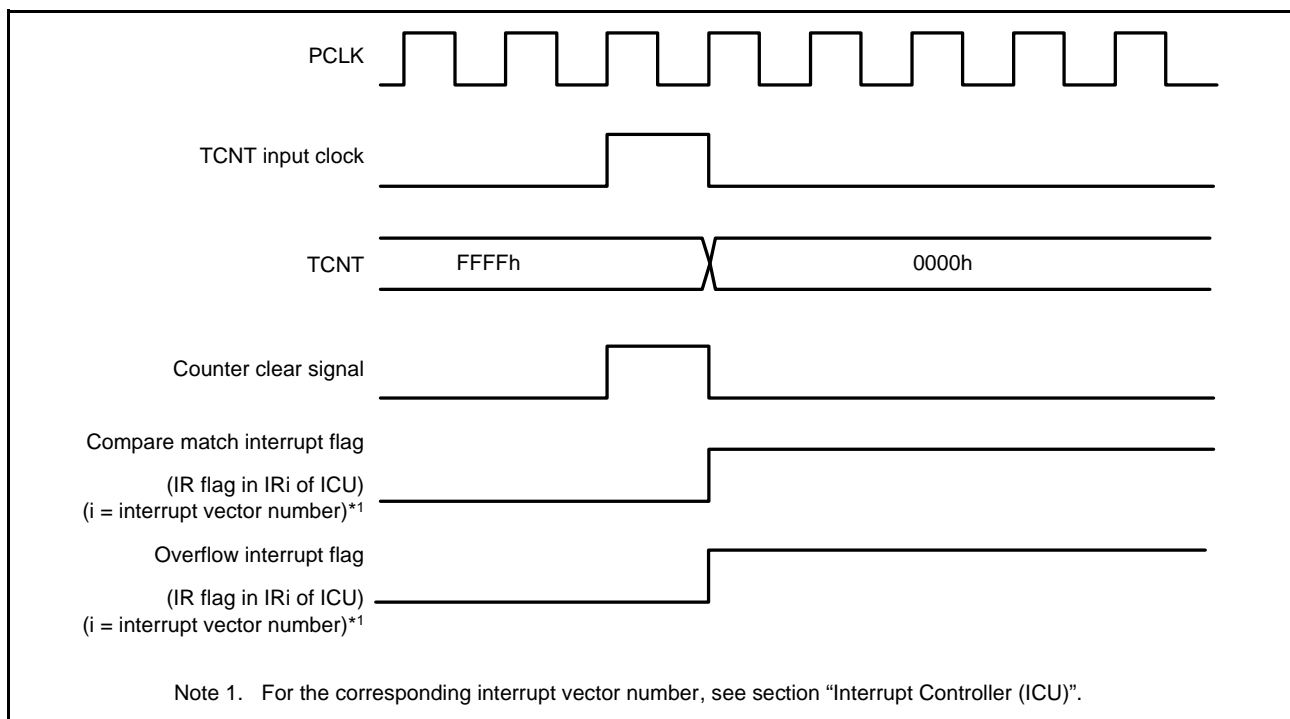


Figure 23.50 Conflict between Buffer Register Write and Input Capture

23.9.11 Conflict between Overflow/Underflow and Counter Clearing

If overflow/underflow and counter clearing occur simultaneously, TPUm.TCNT counter is cleared with the generation of the compare match interrupt and an overflow interrupt is generated.

Figure 23.51 shows the operation timing when a TPUm.TGRy compare match is specified as the clearing source and FFFFh is set in TGRy.



Note 1. For the corresponding interrupt vector number, see section "Interrupt Controller (ICU)".

Figure 23.51 Conflict between Overflow and Counter Clearing

23.9.12 Conflict between TPUM.TCNT Write and Overflow/Underflow

If an overflow/underflow occurs due to increment/decrement in a TCNT write cycle, the TCNT write takes precedence. Figure 23.52 shows the operation timing when there is conflict between TCNT write and overflow.

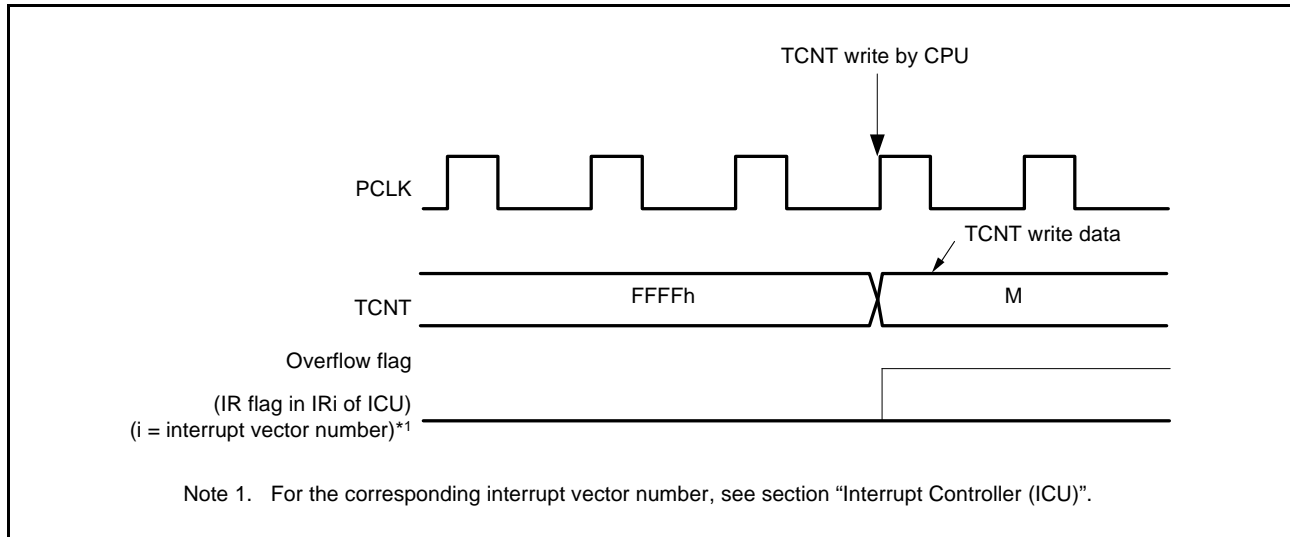


Figure 23.52 Conflict between TPUM.TCNT Write and Overflow

23.9.13 Multiplexing of I/O Pins

In the RX210 Group, the TCLKA input pin is multiplexed with the TIOCB5 I/O pin, the TCLKB input pin with the TIOCB2 I/O pin, the TCLKC input pin with the TIOCB1 I/O pin, the TCLKD input pin with the TIOCB0 I/O pin, the TCLKB input pin with the TIOCD0 I/O pin, the TCLKC input pin with the TIOCC3 I/O pin, the TCLKD input pin with the TIOCD3 I/O pin. When an external clock is input, compare match output should not be performed from a multiplexed pin.

23.9.14 Continuous Output of Compare-Match Pulse Interrupt Signal

When TGR is set to 0, PCLK/1 is set as the counter clock, and compare match is set as the counter clear source, the TCNT counter remains 0000h and is not updated, and a compare-match pulse interrupt signal is output continuously to form a flat signal level.

When a pulse interrupt signal is used, the interrupt controller cannot detect the second and subsequent interrupts. Figure 23.53 shows an operation timing when the compare-match pulse interrupt signal is continuously output.

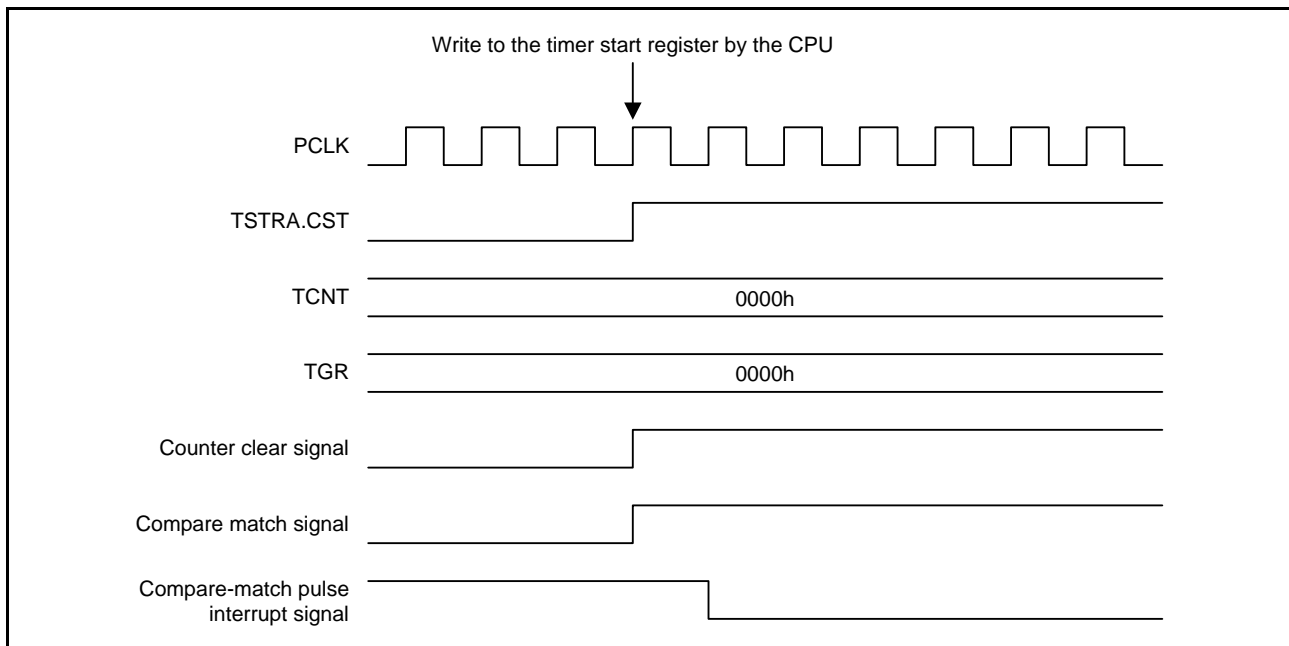


Figure 23.53 Continuous Output of Compare-Match Pulse Interrupt Signal

23.9.15 Continuous Output of Input-Capture Pulse Interrupt Signal

When input-capture signal is set on both edges and when the pulse width of the input-capture input equals to one PCLK cycle detected by internal sampling, input capture is generated continuously on the rising and falling edges. Therefore, an input-capture pulse interrupt signal is output continuously to form a flat signal level.

When a pulse interrupt signal is used, the interrupt controller cannot detect the second and subsequent interrupts.

Figure 23.54 shows an operation timing when the input-capture pulse interrupt signal is output continuously.

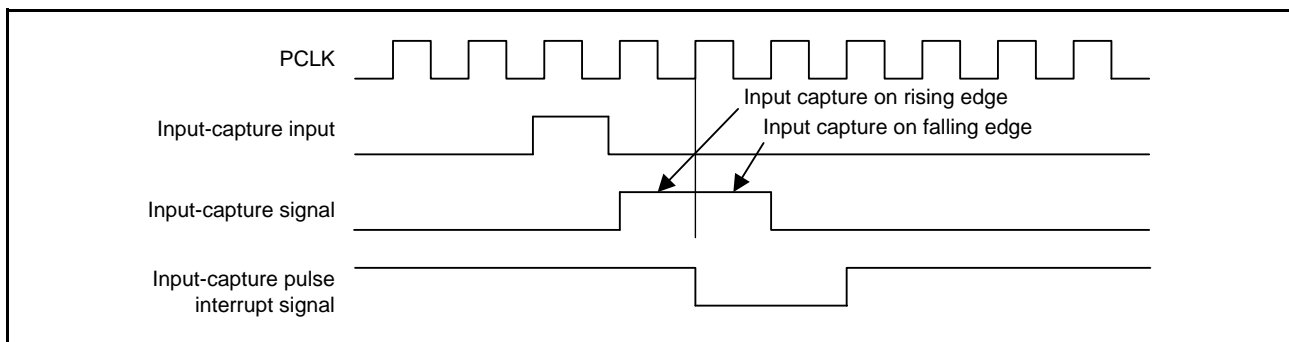


Figure 23.54 Continuous Output of Input-Capture Pulse Interrupt Signal

23.9.16 Continuous Output of Underflow Pulse Interrupt Signal

If two external clock signals' same direction edges to be phase counted are generated within two PCLK cycles in phase counting mode 1, with TGR being 0000h, and compare match set as the counter clear source, the TCNT counter remains 0000h and is not updated, and a compare-match pulse interrupt signal and an underflow interrupt signal are output continuously to form a flat signal level.

When a pulse interrupt signal is used, the interrupt controller cannot detect the second and subsequent interrupts.

Figure 23.55 shows an operation timing when the underflow pulse interrupt signal is output continuously.

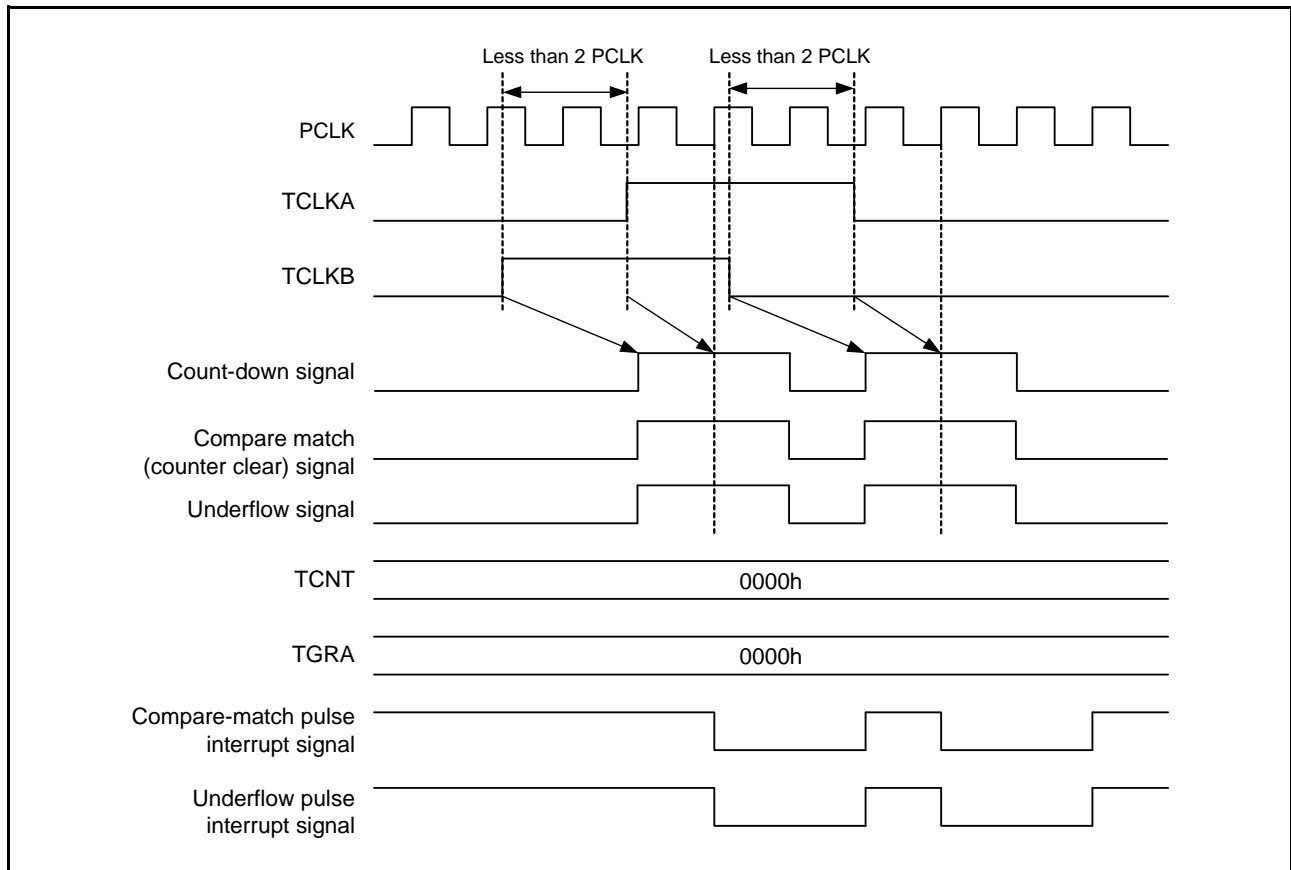


Figure 23.55 Continuous Output of Underflow Pulse Interrupt Signal

24. 8-Bit Timer (TMR)

The RX210 Group has two units (unit 0, unit 1) of an on-chip 8-bit timer (TMR) module that comprise two 8-bit counter channels, totaling four channels. The 8-bit timer module can be used to count external events and also be used as a multi-function timer in a variety of applications, such as generation of counter reset, interrupt requests, and pulse output with a desired duty cycle using a compare-match signal with two registers.

Unit 0 and unit 1 can generate a baud rate clock signal for the SCI and have the same functions.

24.1 Overview

Table 24.1 lists the specifications of the TMR.

Figure 24.1 shows a block diagram of the 8-bit timer module (unit 0), and Figure 24.2 shows that of the 8-bit timer module (unit 1).

Table 24.1 Specifications of TMR

Item	Description
Count clock	<ul style="list-style-type: none"> Frequency dividing clock: PCLK/1, PCLK/2, PCLK/8, PCLK/32, PCLK/64, PCLK/1024, PCLK/8192 External clock
Number of channels	(8 bits × 2 channels) × 2 units
Compare match	<ul style="list-style-type: none"> 8-bit mode (compare match A, compare match B) 16-bit mode (compare match A, compare match B)
Counter clear	Selected by compare match A or B, or an external reset signal.
Timer output	Output pulses with a desired duty cycle or PWM output
Cascading of two channels	<ul style="list-style-type: none"> 16-bit count mode 16-bit timer using TMR0 for the upper 8 bits and TMR1 for the lower 8 bits (TMR2 for the upper 8 bits and TMR3 for the lower 8 bits) Compare match count mode TMR1 can be used to count TMR0 compare matches (TMR3 can be used to count TMR2 compare matches).
Interrupt sources	Compare match A, compare match B, and overflow
Event link function (Output)	Compare match A, compare match B, and overflow (TMR0, TMR2)
Event link function (Input)	(1) Count start operation (TMR0, TMR2) (2) Event counter operation (TMR0, TMR2) (3) Count restart operation (TMR0, TMR2)
DTC activation	DTC can be activated by compare match A interrupts or compare match B interrupts.
Capable of generating baud rate clock for SCI	Generates baud rate clock for SCI.*1
Low power consumption facilities	Each unit can be placed in a module stop state

Note 1. For details, see section 29, Serial Communications Interface (SCIc, SCId).

Table 24.2 Pin Configuration of TMR

Item		Unit 0			Unit 1		
		8 Bits		16 Bits	8 Bits		16 Bits
Counter mode		TMR0	TMR1	TMR0 + TMR1	TMR2	TMR3	TMR2 + TMR3
Count clock		PCLK/1 PCLK/2 PCLK/8 PCLK/32 PCLK/64 PCLK/1024 PCLK/8192 TMCi0	PCLK/1 PCLK/2 PCLK/8 PCLK/32 PCLK/64 PCLK/1024 PCLK/8192 TMCi1	PCLK/1 PCLK/2 PCLK/8 PCLK/32 PCLK/64 PCLK/1024 PCLK/8192 TMCi1	PCLK/1 PCLK/2 PCLK/8 PCLK/32 PCLK/64 PCLK/1024 PCLK/8192 TMCi2	PCLK/1 PCLK/2 PCLK/8 PCLK/32 PCLK/64 PCLK/1024 PCLK/8192 TMCi3	PCLK/1 PCLK/2 PCLK/8 PCLK/32 PCLK/64 PCLK/1024 PCLK/8192 TMCi3
Counter clear		TMR0.TCORA TMR0.TCORB TMRi0	TMR1.TCORA TMR1.TCORB TMRi1	TMR0.TCORA + TMR1.TCORA TMR0.TCORB+ TMR1.TCORB TMRi0	TMR2.TCORA TMR2.TCORB TMRi2	TMR3.TCORA TMR3.TCORB TMRi3	TMR2.TCORA + TMR3.TCORA TMR2.TCORB+ TMR3.TCORB TMRi2
Compare match	Compare match A	○	○	○	○	○	○
	Compare match B	○	○	○	○	○	○
Timer output	Low output	○	○	○	○	○	○
	High output	○	○	○	○	○	○
	Toggle output	○	○	○	○	○	○
DTC activation	Compare match A	○	○	○	○	○	○
	Compare match B	○	○	○	○	○	○
	TCNT overflow	—	—	—	—	—	—
Interrupt	Compare match A	CMIA0	CMIA1	CMIA0	CMIA2	CMIA3	CMIA2
	Compare match B	CMIB0	CMIB1	CMIB0	CMIB2	CMIB3	CMIB2
	TCNT overflow	OVI0	OVI1	OVI0	OVI2	OVI3	OVI2
Cascaded connection		TMR1 overflow	TMR0 compare match A	—	TMR3 overflow	TMR2 compare match A	—
SCI baud rate clock generation*1		○	—	—	○	—	—
Module stop setting*2		MSTPCRA.MSTPA5 bit (unit 0), MSTPCRA.MSTPA4 bit (unit 1)					

○: Possible

—: Impossible

Note 1. For details, see section 29, Serial Communications Interface (SCIc, SCId).

Note 2. For details, see section 11, Low Power Consumption.

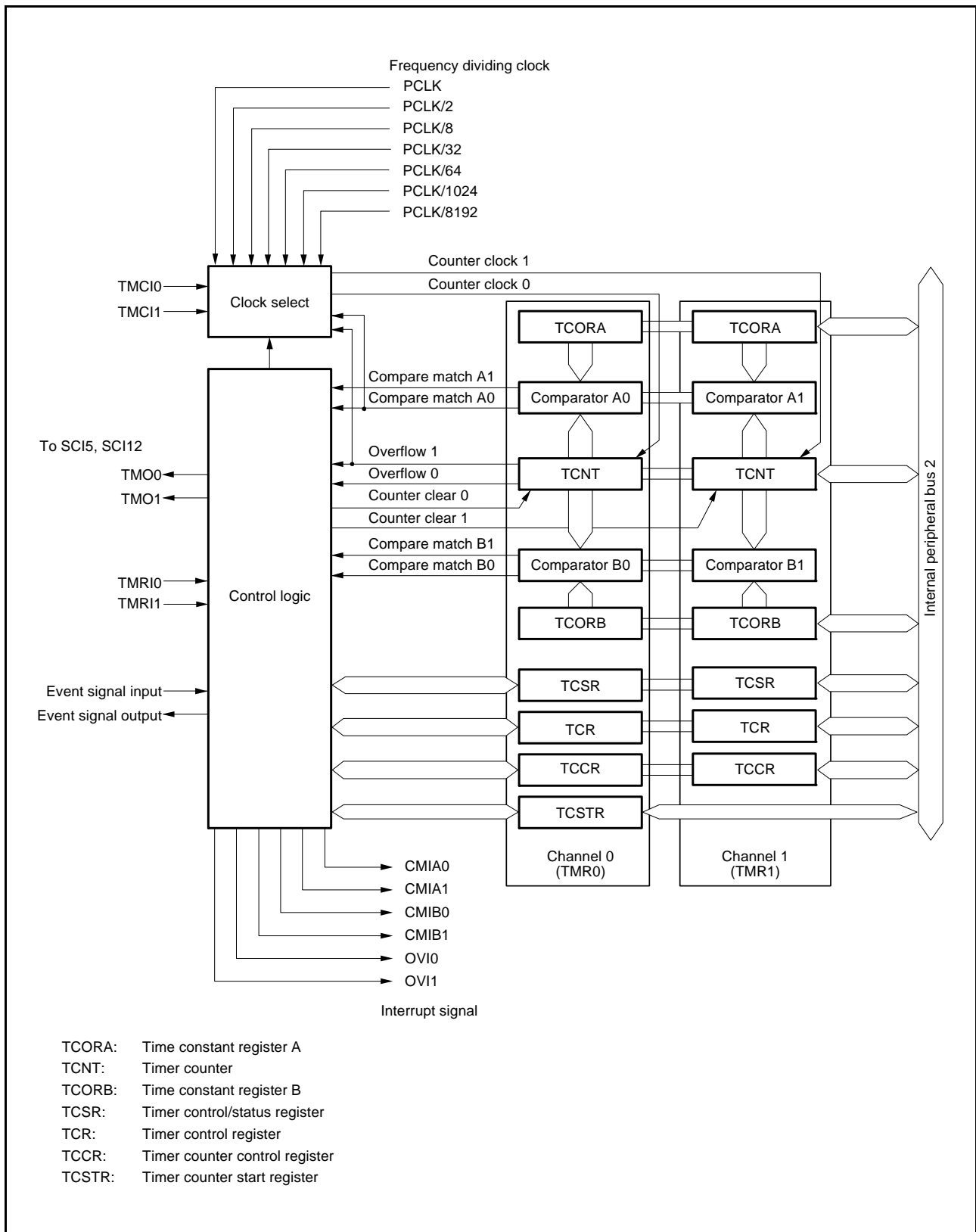


Figure 24.1 Block Diagram of TMR (Unit 0)

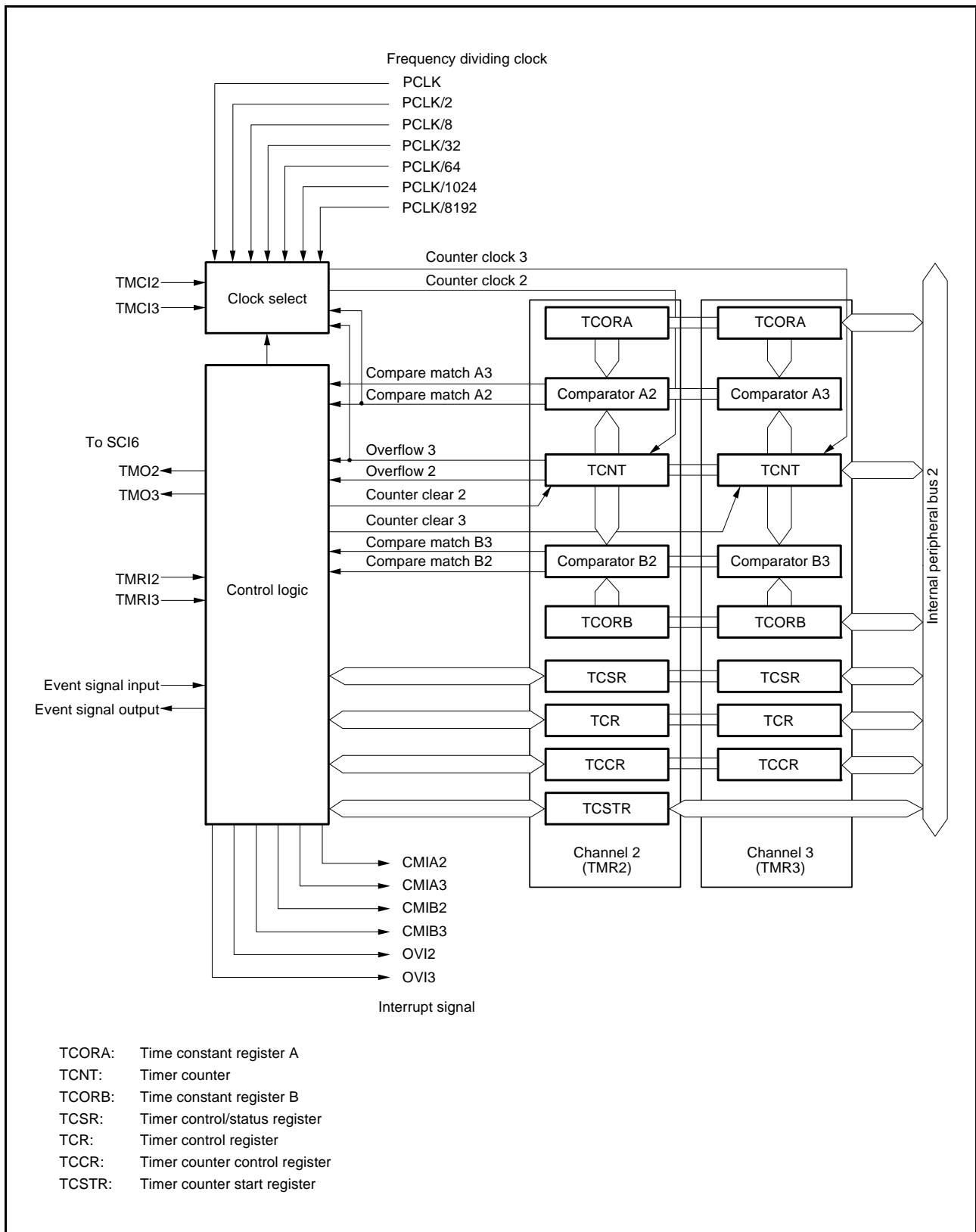


Figure 24.2 Block Diagram of TMR (Unit 1)

Table 24.3 lists the input/output pins of the TMR.

Table 24.3 Pin Configuration of TMR

Unit	Channel	Pin Name	I/O	Description
0	TMR0	TMO0	Output	Outputs compare match
		TMC10	Input	Inputs external clock for counter
		TMR10	Input	Inputs external reset to counter
	TMR1	TMO1	Output	Outputs compare match
		TMC11	Input	Inputs external clock for counter
		TMR11	Input	Inputs external reset to counter
1	TMR2	TMO2	Output	Outputs compare match
		TMC12	Input	Inputs external clock for counter
		TMR12	Input	Inputs external reset to counter
	TMR3	TMO3	Output	Outputs compare match
		TMC13	Input	Inputs external clock for counter
		TMR13	Input	Inputs external reset to counter

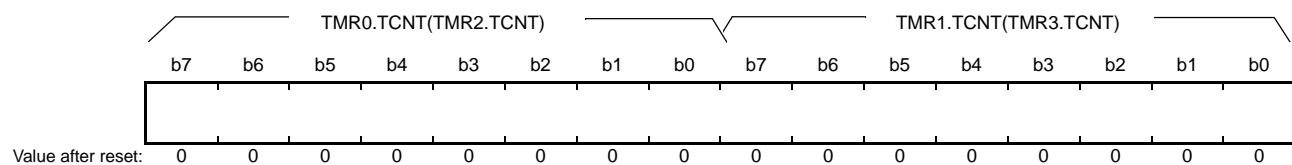
24.2 Register Descriptions

Table 24.4 Register Allocation for 16-Bit Access

Address	Upper 8 Bits	Lower 8 Bits
0008 8208h	TMR0.TCNT	TMR1.TCNT
0008 8204h	TMR0.TCORA	TMR1.TCORA
0008 8206h	TMR0.TCORB	TMR1.TCORB
0008 820Ah	TMR0.TCCR	TMR1.TCCR
0008 8218h	TMR2.TCNT	TMR3.TCNT
0008 8214h	TMR2.TCORA	TMR3.TCORA
0008 8216h	TMR2.TCORB	TMR3.TCORB
0008 821Ah	TMR2.TCCR	TMR3.TCCR

24.2.1 Timer Counter (TCNT)

Address(es): TMR0.TCNT 0008 8208h, TMR1.TCNT 0008 8209h, TMR2.TCNT 0008 8218h, TMR3.TCNT 0008 8219h



TCNT is an 8-bit readable/writable up-counter.

TMR0.TCNT and TMR1.TCNT (TMR2.TCNT and TMR3.TCNT) comprise a single 16-bit counter so they can be accessed together by a word transfer instruction.

The TCCR.CSS[1:0] and CKS[2:0] bits are used to select a counter clock.

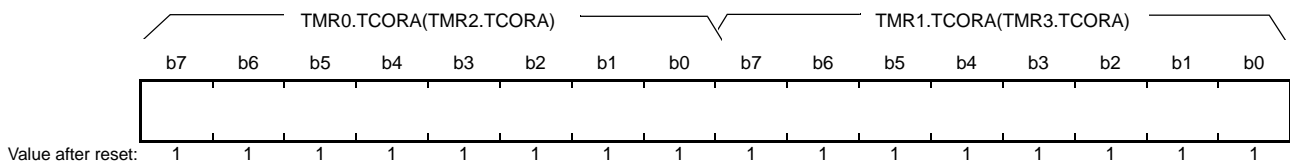
TCNT can be cleared by an external reset input signal, compare match A, or compare match B. Which compare match to be used for clearing is selected by the TCR.CCLR[1:0] bits.

When TCNT overflows (its value changes from FFh to 00h), an overflow interrupt (low-level pulse) is output provided the interrupt request is enabled by the TCR.OVIE bit.

For details on the corresponding interrupt vector number, see section 14, Interrupt Controller (ICUb), and Table 24.6, TMR Interrupt Sources.

24.2.2 Time Constant Register A (TCORA)

Address(es): TMR0.TCORA 0008 8204h, TMR1.TCORA 0008 8205h, TMR2.TCORA 0008 8214h, TMR3.TCORA 0008 8215h



TCORA is an 8-bit readable/writable register.

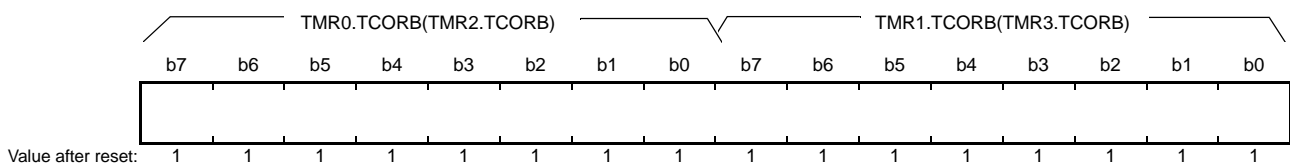
TMR0.TCORA and TMR1.TCORA (TMR2.TCORA and TMR3.TCORA) comprise a single 16-bit register so they can be accessed together by a word transfer instruction.

The value in TCORA is continually compared with the value in TCNT. When a match is detected, the corresponding compare match A is generated, and a compare match A interrupt (low-level pulse) is output provided the interrupt request is enabled by the TCR.CMIEA bit.

However, comparison is not performed during writing to TCORA. The timer output from the TMO_n pin can be freely controlled by this compare match A and the settings of the TCSR.OSA[1:0] bits.

24.2.3 Time Constant Register B (TCORB)

Address(es): TMR0.TCORB 0008 8206h, TMR1.TCORB 0008 8207h, TMR2.TCORB 0008 8216h, TMR3.TCORB 0008 8217h



TCORB is an 8-bit readable/writable register.

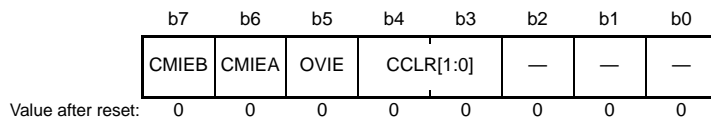
TMR0.TCORB and TMR1.TCORB (TMR2.TCORB and TMR3.TCORB) comprise a single 16-bit register so they can be accessed together by a word transfer instruction.

The value in TCORB is continually compared with the value in TCNT. When a match is detected, the corresponding compare match B is generated, and a compare match B interrupt (low-level pulse) is output provided the interrupt request is enabled by the TCR.CMIEB bit.

However, comparison is not performed during writing to TCORB_n. The timer output from the TMO_n pin can be freely controlled by this compare match B and the settings of the TCSRn.OSB[1:0] bits.

24.2.4 Timer Control Register (TCR)

Address(es): TMR0.TCR 0008 8200h, TMR1.TCR 0008 8201h, TMR2.TCR 0008 8210h, TMR3.TCR 0008 8211h



Bit	Symbol	Bit Name	Description	R/W
b2 to b0	—	Reserved	These bits are read as 0. The write value should be 0.	R/W
b4, b3	CCLR[1:0]	Counter Clear*1	b4 b3 0 0: Clearing is disabled 0 1: Cleared by compare match A 1 0: Cleared by compare match B 1 1: Cleared by the external reset input (Select edge or level by the TMRIS bit in TCCR.)	R/W
b5	OVIE	Timer Overflow Interrupt Enable	0: Overflow interrupt requests (OVIn) are disabled 1: Overflow interrupt requests (OVIn) are enabled	R/W
b6	CMIEA	Compare Match Interrupt Enable A	0: Compare match A interrupt requests (CMIA _n) are disabled 1: Compare match A interrupt requests (CMIA _n) are enabled	R/W
b7	CMIEB	Compare Match Interrupt Enable B	0: Compare match B interrupt requests (CMIB _n) are disabled 1: Compare match B interrupt requests (CMIB _n) are enabled	R/W

Note 1. To use an external reset, set the PORT_n.PDR.B_n bit for the corresponding pin to 0 and the PORT_n.PMR.B_n bit to 1. For details, see section 19, I/O Ports.

CCLR[1:0] Bits (Counter Clear)

Select the condition by which TCNT is cleared.

OVIE Bit (Timer Overflow Interrupt Enable)

Selects whether overflow interrupt requests (OVIn) issued by TCNT are enabled or disabled.

CMIEA Bit (Compare Match Interrupt Enable A)

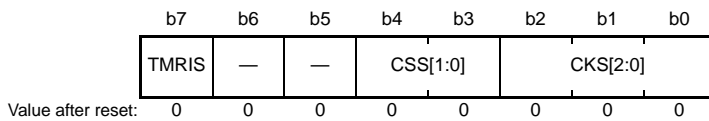
Selects whether compare match A interrupt requests (CMIA_n) that are issued when the value of TCORA corresponds to that of TCNT are enabled or disabled.

CMIEB Bit (Compare Match Interrupt Enable B)

Selects whether compare match B interrupt requests (CMIB_n) that are issued when the value of TCORB corresponds to that of TCNT are enabled or disabled.

24.2.5 Timer Counter Control Register (TCCR)

Address(es): TMR0.TCCR 0008 820Ah, TMR1.TCCR 0008 820Bh, TMR2.TCCR 0008 821Ah, TMR3.TCCR 0008 821Bh



Bit	Symbol	Bit Name	Description	R/W
b2 to b0	CKS[2:0]	Clock Select* ¹	See Table 24.5.	R/W
b4, b3	CSS[1:0]	Clock Source Select	See Table 24.5.	R/W
b6, b5	—	Reserved	These bits are read as 0. The write value should be 0.	R/W
b7	TMRIS	Timer Reset Detection Condition Select	0: Cleared at rising edge of the external reset 1: Cleared when the external reset is high	R/W

Note 1. To use an external reset, set the PORTn.PDR.Bn bit for the corresponding pin to 0 and the PORTn.PMR.Bn bit to 1. For details, see section 19, I/O Ports.

CKS[2:0] Bits (Clock Select)

CSS[1:0] Bits (Clock Source Select)

The CKS[2:0] and CSS[1:0] bits select a clock. For details, see Table 24.5.

TMRIS Bit (Timer Reset Detection Condition Select)

This bit is enabled when the TCR.CCLR[1:0] bits are 11b (cleared by external reset input) and selects the condition for detecting external reset (level or edge).

Table 24.5 Clock Input to TCNT and Count Condition

Channel	TCCR Register					Description			
	CSS[1:0]		CKS[2:0]						
	b4	b3	b2	b1	b0				
TMR0 (TMR2)	0	0	—	0	0	Clock input prohibited			
					1	Uses external clock. Counts at rising edge*1.			
					1	0	Uses external clock. Counts at falling edge*1.		
					1	1	Uses external clock. Counts at both rising and falling edges*1.		
	0	1	0	0	0	0	Uses frequency dividing clock. Counts at PCLK.		
					1	1	Uses frequency dividing clock. Counts at PCLK/2.		
					1	0	Uses frequency dividing clock. Counts at PCLK/8.		
					1	1	Uses frequency dividing clock. Counts at PCLK/32.		
				1	0	0	0	0	Uses frequency dividing clock. Counts at PCLK/64.
						1	1	Uses frequency dividing clock. Counts at PCLK/1024.	
						1	0	Uses frequency dividing clock. Counts at PCLK/8192.	
						1	1	Clock input prohibited	
	1	0	—	—	—	Setting prohibited			
	1	1	—	—	—	Counts at TMR1.TCNT (TMR3.TCNT) overflow signal*2.			
TMR1 (TMR3)	0	0	—	0	0	Clock input prohibited			
					1	1	Uses external clock. Counts at rising edge*1.		
					1	0	Uses external clock. Counts at falling edge*1.		
					1	1	Uses external clock. Counts at both rising and falling edges*1.		
	0	1	0	0	0	0	Uses frequency dividing clock. Counts at PCLK.		
					1	1	Uses frequency dividing clock. Counts at PCLK/2.		
					1	0	Uses frequency dividing clock. Counts at PCLK/8.		
					1	1	Uses frequency dividing clock. Counts at PCLK/32.		
			1	0	0	0	0	Uses frequency dividing clock. Counts at PCLK/64.	
					1	1	Uses frequency dividing clock. Counts at PCLK/1024.		
					1	0	Uses frequency dividing clock. Counts at PCLK/8192.		
					1	1	Clock input prohibited		
	1	0	—	—	—	Setting prohibited			
	1	1	—	—	—	Counts at TMR0.TCNT (TMR2.TCNT) compare match A*2.			

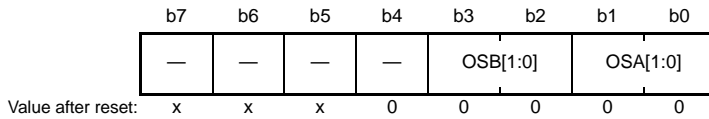
Note 1. To use an external reset, set the PORTn.PDR.Bn bit for the corresponding pin to 0 and the PORTn.PMR.Bn bit to 1. For details, see section 19, I/O Ports.

Note 2. If the clock input of TMR0 (TMR2) is the overflow signal of the TMR1.TCNT (TMR3.TCNT) counter and that of TMR1 (TMR3) is the compare match signal of the TMR0.TCNT (TMR2.TCNT) counter, no incrementing clock is generated. Do not use this setting.

24.2.6 Timer Control/Status Register (TCSR)

- TMR0.TCSR, TMR2.TCSR

Address(es): TMR0.TCSR 0008 8202h, TMR2.TCSR 0008 8212h



Bit	Symbol	Bit Name	Description	R/W
b1, b0	OSA[1:0]	Output Select A* ¹	b1 b0 0 0: No change 0 1: Low is output 1 0: High is output 1 1: Output is inverted (toggle output)	R/W
b3, b2	OSB[1:0]	Output Select B* ¹	b3 b2 0 0: No change 0 1: Low is output 1 0: High is output 1 1: Output is inverted (toggle output)	R/W
b4	—	Reserved	This bit is read as 0. The write value should be 0.	R/W
b7 to b5	—	Reserved	These bits are read as an undefined value. The write value should be 1.	R/W

Note 1. When the OSA[1:0] and OSB[1:0] bits are all 0, the output enable signal corresponding to the TMO_n pin is negated and a request for high-impedance output is issued to the I/O port. Timer output is low until the first compare match occurs after a reset when either of the OSA[1:0] or OSB[1:0] bits are 1.

OSA[1:0] Bits (Output Select A)

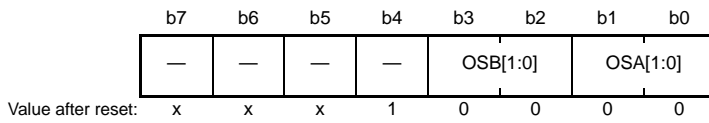
These bits select a method of TMO_n pin output when compare match A of TCORA and TCNT occurs.

OSB[1:0] Bits (Output Select B)

These bits select a method of TMO_n pin output when compare match B of TCORB and TCNT occurs.

- TMR1.TCSR, TMR3.TCSR

Address(es): TMR1.TCSR 0008 8203h, TMR3.TCSR 0008 8213h



Bit	Symbol	Bit Name	Description	R/W
b1, b0	OSA[1:0]	Output Select A* ¹	b1 b0 0 0: No change 0 1: Low is output 1 0: High is output 1 1: Output is inverted (toggle output)	R/W
b3, b2	OSB[1:0]	Output Select B* ¹	b3 b2 0 0: No change 0 1: Low is output 1 0: High is output 1 1: Output is inverted (toggle output)	R/W
b4	—	Reserved	This bit is read as 1. The write value should be 1.	R/W
b7 to b5	—	Reserved	These bits are read as an undefined value. The write value should be 1.	R/W

Note 1. When the OSA[1:0] and OSB[1:0] bits are all 0, the output enable signal corresponding to the TMO_n pin is negated and a request for high-impedance output is issued to the I/O port. Timer output is low until the first compare match occurs after a reset when either of the OSA[1:0] or OSB[1:0] bits are 1.

OSA[1:0] Bits (Output Select A)

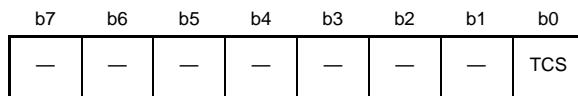
These bits select a method of TMO_n pin output when compare match A of TCORA and TCNT occurs.

OSB[1:0] Bits (Output Select B)

These bits select a method of TMO_n pin output when compare match B of TCORB and TCNT occurs.

24.2.7 Time Count Start Register (TCSTR)

Address(es): TMR0.TCSTR 0008 820Ch, TMR2.TCSTR 0008 821Ch



Value after reset: x x x x x x x 0

Bit	Symbol	Bit Name	Description	R/W
b0	TCS	Timer Counter Status	0: Count stopped state in response to ELC. 1: Count start state in response to ELC.	R/W
b7 to b1	—	Reserved	These bits are read as an undefined value. The write value should be 0.	R/W

TCS Bit (Timer Counter Status)

The TCS bit is used to check the state of the timer count in response to ELC.

When this bit is read as 1, it shows the timer start state in response to ELC. When this bit is read as 0, it shows the timer stopped state in response to ELC.

This bit is cleared by writing 0. Do not write 1 to this bit.

The TCS bit is valid only when the count start operation is selected by the ELOPD register of the event controller (ELC). For details, see section 24.7, Link Operation by ELC, or section 18, Event Link Controller (ELC).

24.3 Operation

24.3.1 Pulse Output

Figure 24.3 shows an example of the 8-bit timer being used to generate a pulse output with a desired duty cycle.

1. Set the TCR.CCLR[1:0] bits to 01b (cleared by compare match A) so that TCNT is cleared at a compare match of TCORA.
2. Set the TCSR.OSA[1:0] bits to 10b (high output) and TCSR.OSB[1:0] bits to 01b (low output), causing the output to change to high at a compare match of TCORA and to low at a compare match of TCORB.

With these settings, the 8-bit timer provides pulses output at a cycle determined by TCORA with a pulse width determined by TCORB. No software intervention is required.

The timer output is low after the TCSR.OSA[1:0] or TCSR.OSB[1:0] bits are set until the first compare match occurs after a reset.

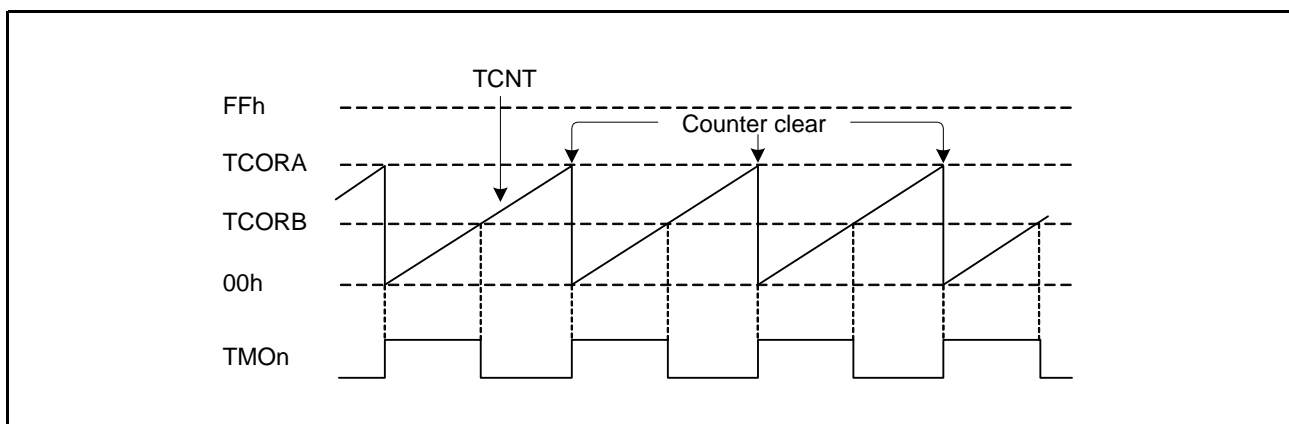


Figure 24.3 Example of Pulse Output (n = 0 to 3)

24.3.2 Reset Input

Figure 24.4 shows an example of the 8-bit timer being used to generate a pulse which is output after a desired delay time from a TMRIn input.

1. Set the TCR.CCLR[1:0] bits to 11b (cleared by external reset input) and set the TMRIS bit in TCCR to 1 (cleared when the external reset is high) so that TCNT is cleared at the high level input of the TMRIn signal.
2. Set the TCSR.OSA[1:0] bits to 10b (high output) and the TCSR.OSB[1:0] bits to 01b (low output), causing the output to change to high at a compare match of TCORA and to low at a compare match of TCORB.

With these settings, the 8-bit timer provides pulses output at a desired delay time from a TMRIn input determined by TCORA and with a pulse width determined by TCORB and TCORA.

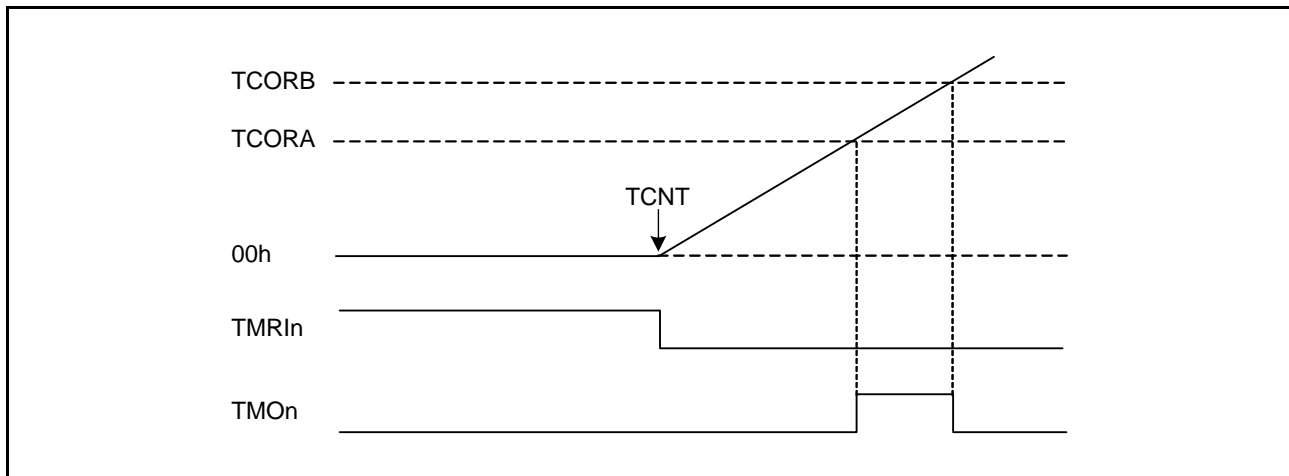


Figure 24.4 Example of Reset Input (n = 0 to 3)

24.4 Operation Timing

24.4.1 TCNT Count Timing

Figure 24.5 shows the count timing of TCNT for frequency dividing clock input. Figure 24.6 shows the count timing of TCNT for external clock input.

Note that the external clock pulse width must be at least 1.5 PCLK cycles for increment at a single edge, and at least 2.5 PCLK cycles for increment at both edges. The counter will not increment correctly if the pulse width is less than these values.

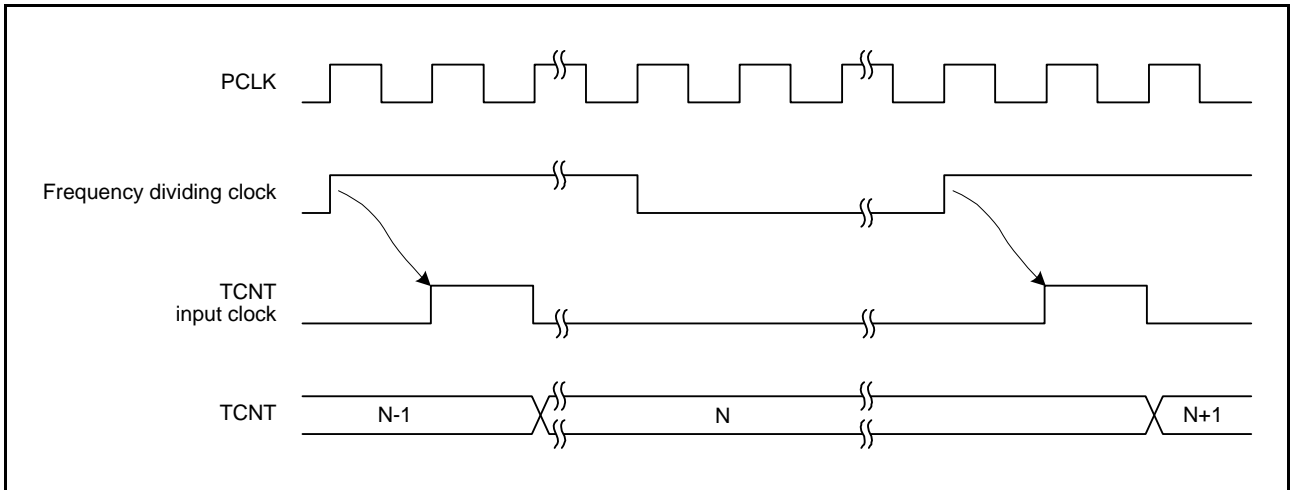


Figure 24.5 Count Timing for Frequency Dividing Clock Input

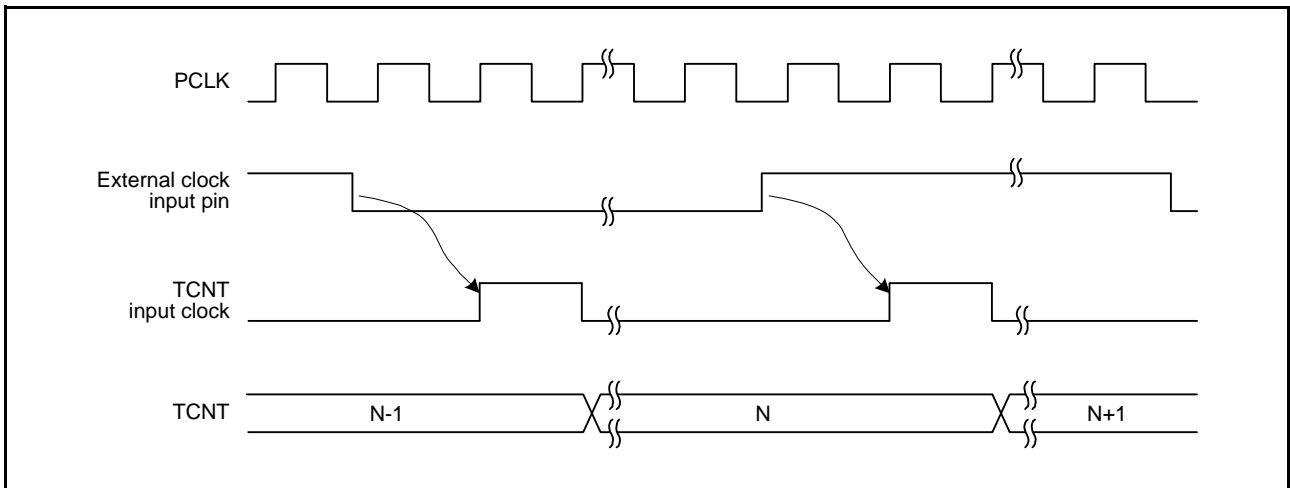


Figure 24.6 Count Timing for External Clock Input (at Both Edges)

24.4.2 Timing of Interrupt Signal Output on a Compare Match

A compare match refers to a match between the value of the TCORA or TCORB register and the TCNT, and a compare match interrupt signal is output at this time if the interrupt request is enabled. The compare match is generated in the last cycle in which the values match (at the time at which the value counted by TCNT to produce the match is updated). Accordingly, after a match between TCNT and the TCORA or TCORB register is detected, the compare match is not actually generated until the next cycle of the input clock for the TCNT counter. Figure 24.7 shows the timing of output of the interrupt signal.

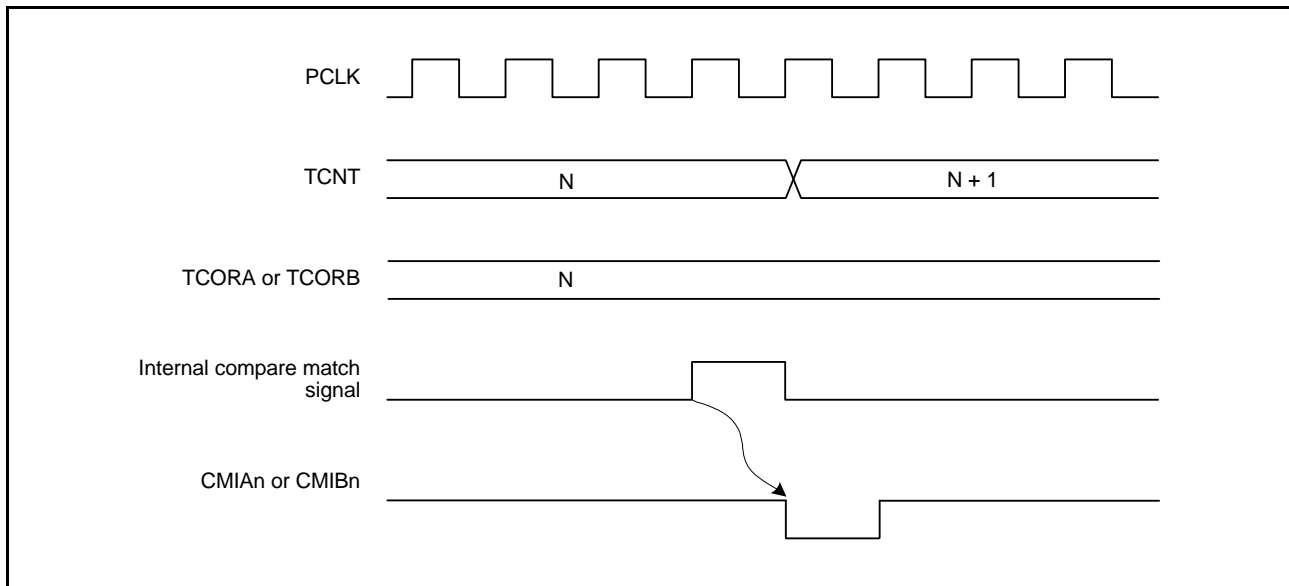


Figure 24.7 Timing of Interrupt Flag Setting to 1 at Compare Match ($n = 0$ to 3)

24.4.3 Timing of Timer Output at Compare Match

When a compare match signal is generated, the output value specified by the TCSR.OSA[1:0] and OSB[1:0] bits is output on the timer output pin (TMO_n).

Figure 24.8 shows the timing when the timer output is toggled by the compare match A signal.

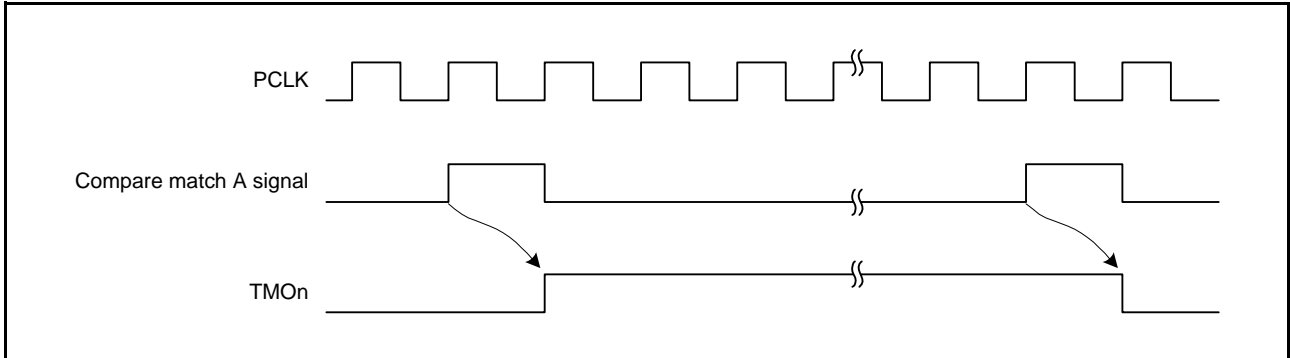


Figure 24.8 Timing of Timer Output at Compare Match A Signal (n = 0 to 3)

24.4.4 Timing of Counter Clear by Compare Match

TCNT is cleared when compare match A or B occurs, depending on the settings of the TCR.CCLR[1:0] bits.

Figure 24.9 shows the timing of this operation.

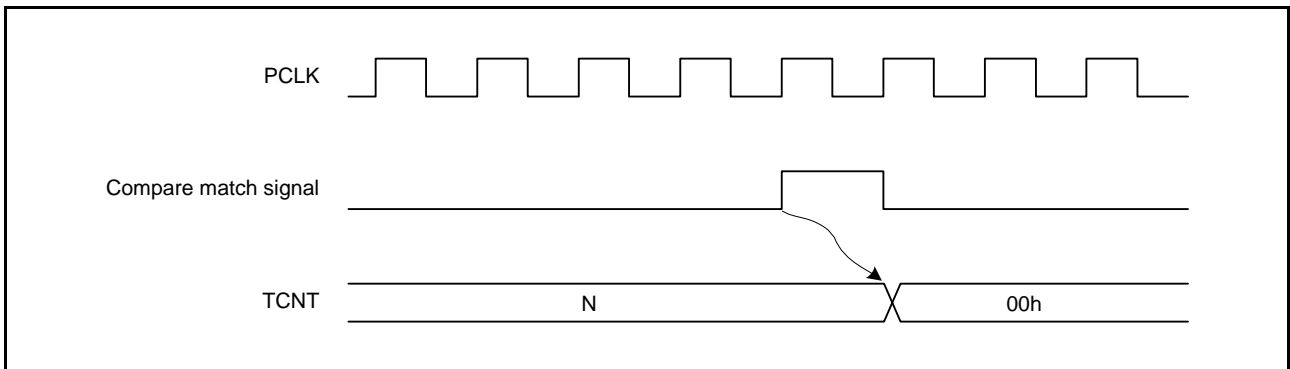


Figure 24.9 Timing of Counter Clear by Compare Match

24.4.5 Timing of the External Reset for TCNT

TCNT is cleared at the rising edge or high level of an external reset input, depending on the settings of the TCR.CCLR[1:0] bits. At least 2 PCLK cycles are required from an external reset input to clearing of TCNT.

Figure 24.10 and Figure 24.11 show the timing of this operation.

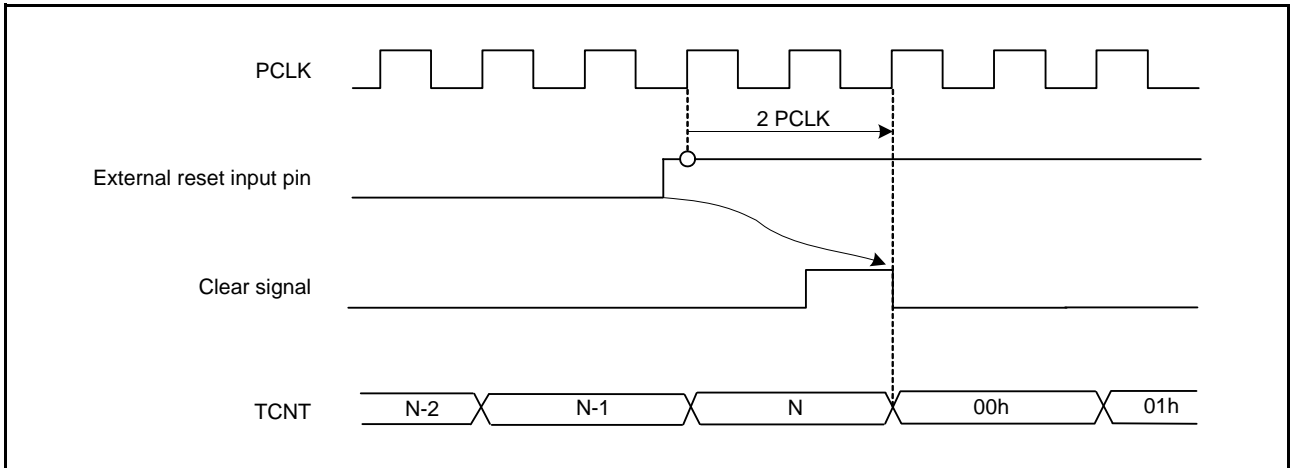


Figure 24.10 Timing of Clearance by External Reset (Rising Edge)

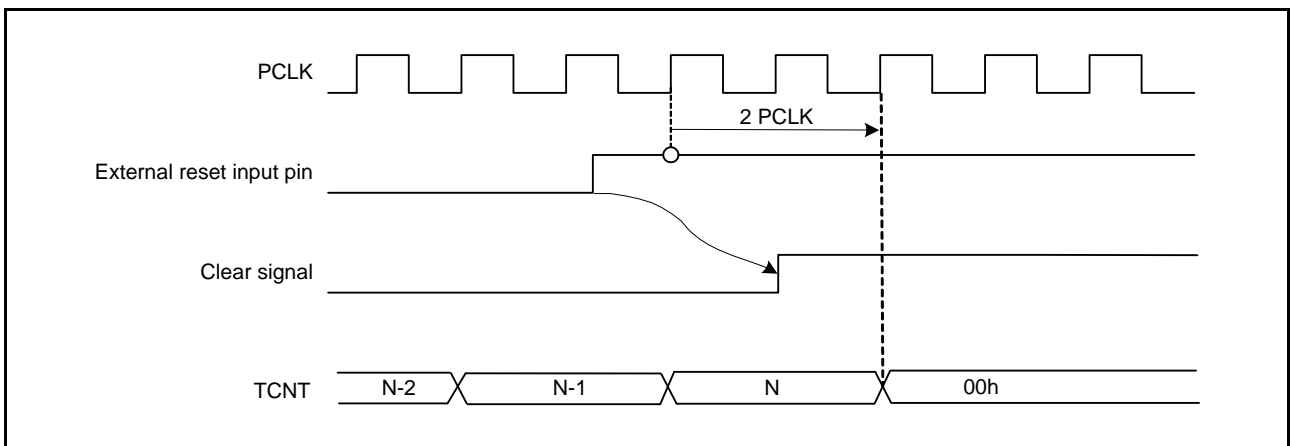


Figure 24.11 Timing of Clearance by External Reset (High Level)

24.4.6 Timing of Interrupt Signal Output on an Overflow

When TCNT overflows (changes from FFh to 00h), an overflow interrupt signal is output if this interrupt request is enabled.

Figure 24.12 shows the timing of output of the interrupt signal.

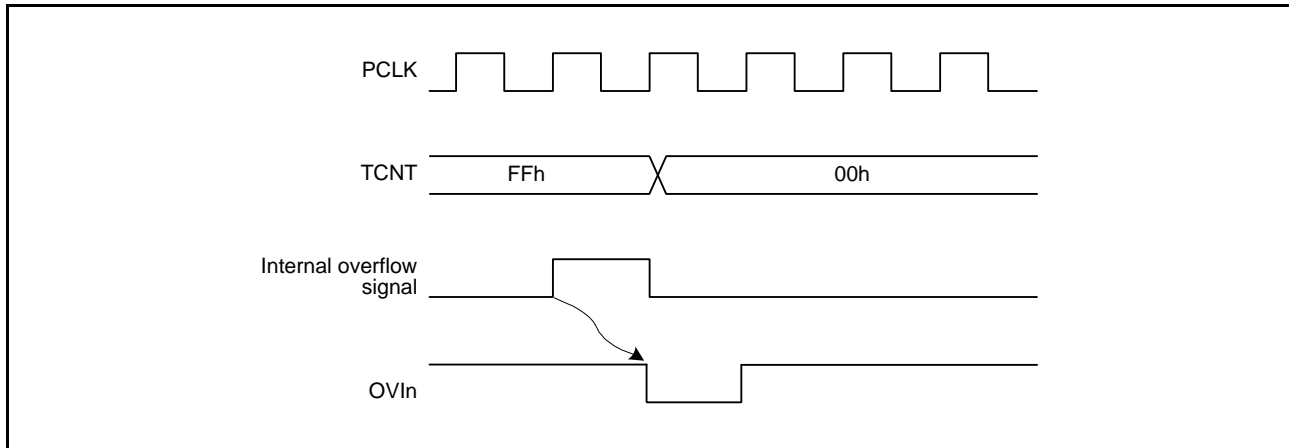


Figure 24.12 Timing of Overflow Interrupt Flag Setting to 1 (n = 0 to 3)

24.5 Operation with Cascaded Connection

If the CSS[1:0] bits in either TMR0.TCCR or TMR1.TCCR are set to 11b, the TMR of the two channels are cascaded. With this configuration, a single 16-bit timer could be used (16-bit counter mode) or compare matches of TMR0 could be counted by TMR1 (compare match count mode).

Supplementary information: This section describes unit 0. The operation of unit 1 with cascaded connection is the same as unit 0.

24.5.1 16-Bit Count Mode

When the TMR0.TCCR.CSS[1:0] bits are set to 11b, the timer functions as a single 16-bit timer with TMR0 occupying the upper 8 bits and TMR1 occupying the lower 8 bits.

(1) Counter Clear Specification

- The settings of the TMR0.TCR.CCLR[1:0] bits become effective for the 16-bit counter. If the TMR0.TCR.CCLR[1:0] bits have been set for counter clear at compare match, the 16-bit counter (TMR0.TCNT and TMR1.TCNT together) is cleared when a 16-bit compare match event occurs. The 16-bit counter (TMR0.TCNT and TMR1.TCNT together) is cleared even if counter clear by the TMRI0 pin has been set.
- The settings of the TMR1.TCR.CCLR[1:0] bits are ignored.

(2) Pin Output

- Control of output from the TMO0 pin by the TMR0.TCSR.OSA[1:0] and OSB[1:0] bits is in accordance with the 16-bit compare match conditions.
- Control of output from the TMO1 pin by the TMR1.TCSR.OSA[1:0] and OSB[1:0] bits is in accordance with the lower 8-bit compare match conditions.

24.5.2 Compare Match Count Mode

When the TMR1.TCCR.CSS[1:0] bits are set to 11b, TMR1.TCNT counts the number of occurrences of compare match A for TMR0. TMR0 and TMR1 are controlled independently. Conditions such as generation of interrupts, output from the TMO_n (n = 0, 1) pin, and counter clear are in accordance with the settings for each channel.


24.6 Interrupt Sources

24.6.1 Interrupt Sources and DTC Activation

There are three interrupt sources for TMRn: CMIA_n, CMIB_n, and OVI_n. Their interrupt sources and priorities are listed in Table 24.6.

It is also possible to activate the DTC by means of CMIA_n and CMIB_n interrupts. The DMAC cannot be activated by the interrupt sources for TMRn.

Table 24.6 TMR Interrupt Sources

Name	Interrupt Sources	DTC Activation	Priority
CMIA0	TMR0.TCORA compare match	Possible	High
CMIB0	TMR0.TCORB compare match	Possible	
OVI0	TMR0.TCNT overflow	Not possible	
CMIA1	TMR1.TCORA compare match	Possible	
CMIB1	TMR1.TCORB compare match	Possible	
OVI1	TMR1.TCNT overflow	Not possible	
CMIA2	TMR2.TCORA compare match	Possible	
CMIB2	TMR2.TCORB compare match	Possible	
OVI2	TMR2.TCNT overflow	Not possible	
CMIA3	TMR3.TCORA compare match	Possible	
CMIB3	TMR3.TCORB compare match	Possible	
OVI3	TMR3.TCNT overflow	Not possible	

24.7 Link Operation by ELC

24.7.1 Event Signal Output to ELC

The TMR uses the event link controller (ELC) to perform link operation to the previously specified module using the interrupt request signal as the event signal. The TMR outputs compare match A, compare match B, and overflow signals as event signals. Channels that can be used in this way are TMR0 and TMR2.

The event signal can be output regardless of the setting of the corresponding interrupt request enable bits (TMR0.TCR.OVIE or TMR2.TCR.OVIE, TMR0.TCR.CMIEA or TMR2.TCR.CMIEA, and TMR0.TCR.CMIEB or TMR2.TCR.CMIEB). For details, see section 18, Event Link Controller (ELC).

The event output function can be used for the cascaded operation.

24.7.2 TMR Operation when Receiving an Event Signal from ELC

The TMR can perform either of the following operations upon the event previously specified by the ELSRn register of the ELC. However, the ELC does not support the cascaded operation.

(1) Count Start

When the TMR count start operation is selected by the ELOPD register of the ELC and the event specified by ELSRn occurs, the TCSTR.TCS bit is set to 1, starting the TMR count operation. After the TMR count start operation is selected by the ELOPD register of the ELC, use the TCCR.CKS[2:0] and CSS[1:0] bits to select the count source.

If the specified event occurs while the TCS bit is 1, the event is ignored.

Write 0 to the TCSTR.TCS bit to stop counting.

When the count start event is input in the count stopped state, the TMR starts counting again according to the CKS[2:0] and CSS[1:0] bits.

The TCS bit is valid only when the ELOPD.TMR0MD and ELOPD.TMR2MD bits of the ELC select the count start operation.

(2) Event Count

When the TMR event count operation is selected by the ELOPD register of the ELC and the event specified by ELSRn occurs, the events are counted as the count source regardless of the TCCR.CKS[2:0] and CSS[1:0] bit settings. Reading the counter value returns the number of events that have been actually input.

(3) Count Restart

When the TMR count restart operation is selected by the ELOPD register of the ELC and the event specified by ELSRn occurs, the TCNT counter value is modified to the initial value. If the CKS[2:0] and CSS[1:0] bit settings are not disabling the clock input, the count operation is continued.

24.7.3 Notes on Operating TMR According to an Event Signal from ELC

The following describes the notes on operating the TMR using the event link feature.

(1) Count Start

When the event specified by ELSRn occurs during the write cycle to the TCSTR.TCS bit, the cycle is not completed; setting 1 according to the event occurrence takes priority.

(2) Event Count

When the event specified by ELSRn occurs during the write cycle to the TCNT, the cycle is not completed; event count operation according to the event occurrence takes priority.

(3) Count Restart

When the event specified by `ELSRn` occurs during the write cycle to the `TCNT`, the cycle is not completed; count value initialization according to the event occurrence takes priority.

24.8 Usage Notes

24.8.1 Module Stop State Setting

Operation of the TMR can be disabled or enabled by using the module stop control registers. The initial setting is for halting of TMR operation. Register access becomes possible after release from the module-stop state. For details, see section 11, Low Power Consumption.

24.8.2 Notes on Setting Cycle

If the compare match is selected for counter clear, TCNT is cleared at the last PCLK in the cycle in which the value of TCNT matches with that of TCORA or TCORB. TCNT updates the counter value at this last state. Therefore, the counter frequency is obtained by the following formula (f: Counter frequency, PCLK: Operating frequency, N: TCORA and TCORB register setting value).

$$f = \text{PCLK} / (N + 1)$$

24.8.3 Conflict between TCNT Write and Counter Clear

If a counter clear signal is generated concurrently with CPU write to TCNT, the clear takes priority and the write is not performed as shown in Figure 24.13.

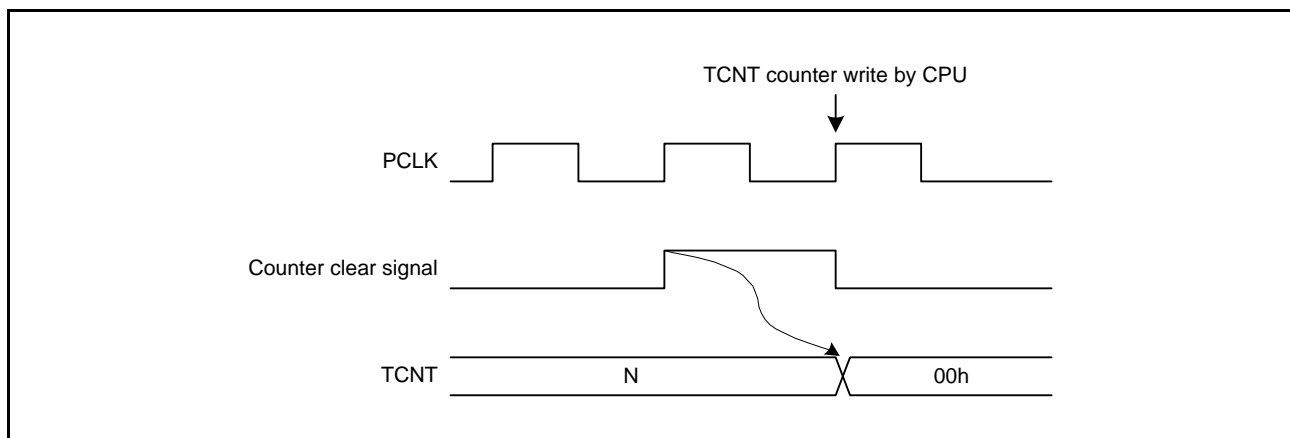


Figure 24.13 Conflict between TCNT Write and Counter Clear

24.8.4 Conflict between TCNT Write and Increment

Even if a counting-up signal is generated concurrently with CPU write to TCNT, the counting-up is not performed and the write takes priority as shown in Figure 24.14.

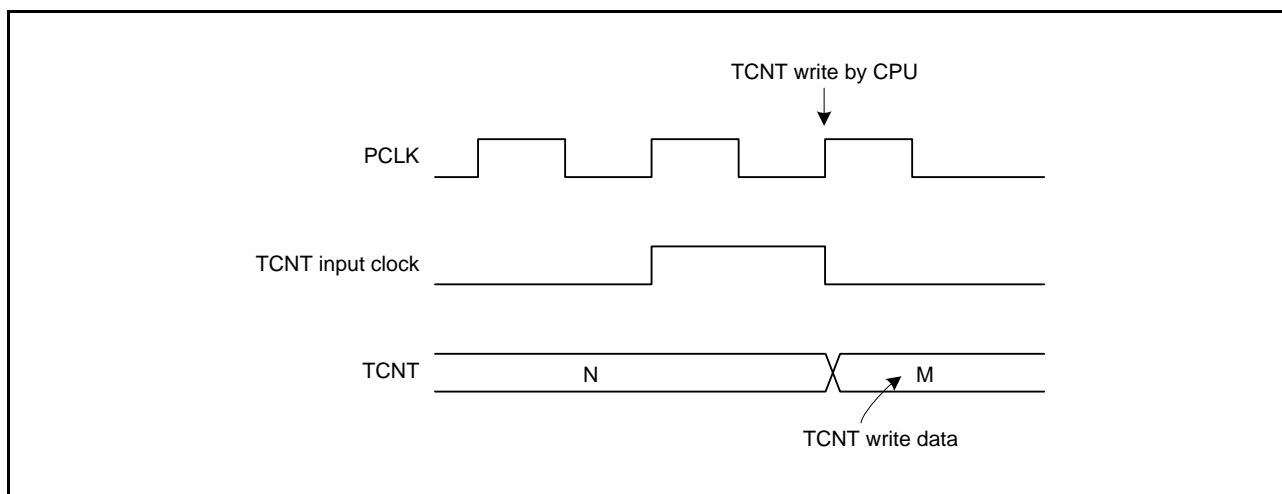


Figure 24.14 Conflict between TCNT Write and Increment

24.8.5 Conflict between TCORA or TCORB Write and Compare Match

Even if a compare match signal is generated simultaneously with CPU write to TCORA or TCORB, the write takes priority and the compare match signal is not generated.

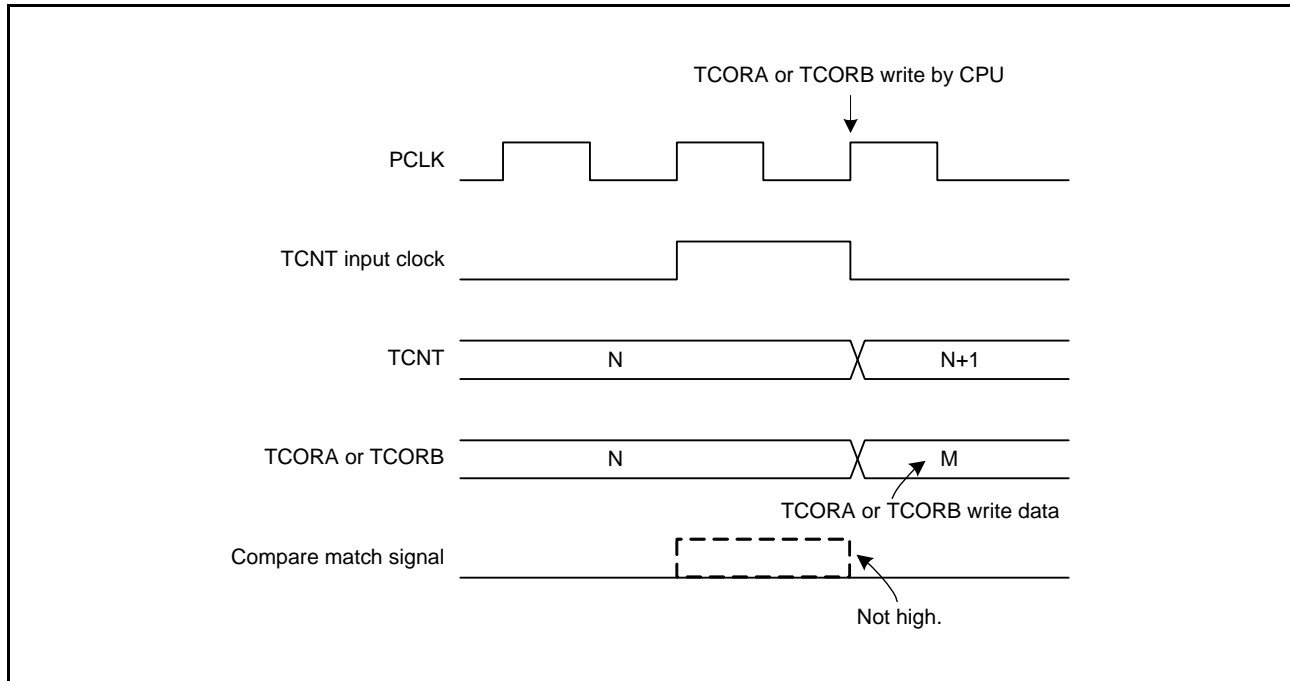


Figure 24.15 Conflict between TCORA or TCORB Write and Compare Match

24.8.6 Conflict between Compare Matches A and B

If compare match events A and B occur at the same time, the 8-bit timer operates in accordance with the priorities for the output statuses high for compare match A and compare match B, as listed in Table 24.7.

Table 24.7 Timer Output Priorities

Output Setting	Priority
Toggle output	High
High output	↑
Low output	↓
No change	Low

24.8.7 Switching of Frequency Dividing Clocks and TCNT Operation

TCNT may be incremented erroneously depending on when the frequency dividing clock is switched. Table 24.8 lists the relationship between the timing at which the frequency dividing clock is switched (by writing to the TCCR.CKS[2:0] bits) and the operation of TCNT.

When TCNT clock is generated from an frequency dividing clock, the rising edge of the frequency dividing clock pulse are always monitored. If the signal levels of the clocks before and after switching change from low to high as shown in No. 2 in Table 24.8, the change is considered as an edge. Therefore, a TCNT clock pulse is generated and TCNT is incremented.

The erroneous increment of TCNT can also happen when switching between internal and frequency dividing clocks.

Table 24.8 Switching of Frequency Dividing Clocks and TCNT Operation (1/2)

No.	Timing to Change the TCCR.CKS[2:0] Bits	TCNT Clock Operation
1	Switching from low to low*1	
2	Switching from low to high*2	
3	Switching from high to low*4	

Table 24.8 Switching of Frequency Dividing Clocks and TCNT Operation (2/2)

No.	Timing to Change the TCCR.CKS[2:0] Bits	TCNT Clock Operation	
4	Switching from high to high		

Note 1. Includes switching from low to stop, and from stop to low.

Note 2. Includes switching from stop to high.

Note 3. Generated because the change of the signal levels is considered as an edge; TCNT is incremented.

Note 4. Includes switching from high to stop.

24.8.8 Clock Source Setting with Cascaded Connection

If 16-bit counter mode and compare match count mode are specified at the same time, input clocks for TMR0.TCNT and TMR1.TCNT (TMR2.TCNT and TMR3.TCNT) are not generated, and the counter stops. Do not specify 16-bit counter mode and compare match count mode simultaneously.

24.8.9 Continuous Output of Compare Match Interrupt Signal

When TCORA or TCORB is set to 00h, PCLK/1 is set as the frequency dividing clock, and compare match is set as the counter clear source, the TCNT counter remains 00h and is not updated, and a compare match interrupt signal is output continuously to form a flat signal level.

At this time, the interrupt controller cannot detect the second and subsequent interrupts.

Figure 24.16 shows operation timing when the compare match interrupt signal is continuously output.

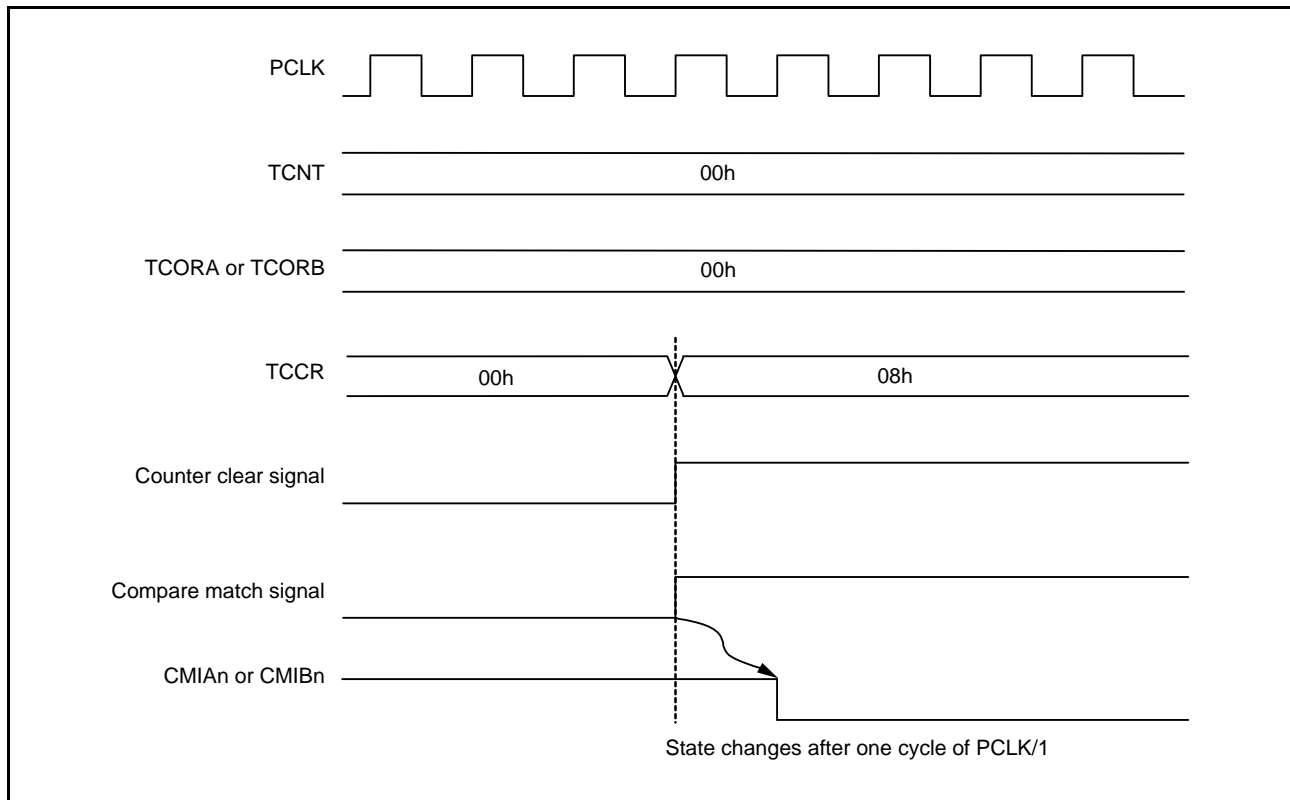


Figure 24.16 Continuous Output of Compare Match Interrupt Signal (n =0 to 3)

25. Compare Match Timer (CMT)

The RX210 Group has two on-chip compare match timer (CMT) units (unit 0 and unit 1) each consisting of a two-channel 16-bit timer (i.e., a total of four channels). The CMT has a 16-bit counter, and can generate interrupts at set intervals.

25.1 Overview

Table 25.1 lists the specifications for the CMT.

Figure 25.1 shows a block diagram of the CMT (unit 0). A two-channel CMT constitutes a unit. Unit 0 and unit 1 are the same in terms of specifications.

Table 25.1 Specifications of CMT

Item	Description
Count clock	<ul style="list-style-type: none"> Four frequency dividing clocks One clock from PCLK/8, PCLK/32, PCLK/128, and PCLK/512 can be selected individually for each channel.
Interrupt	A compare match interrupt can be requested individually for each channel.
Event link facilities (output)	An event signal is output upon a CMT1 compare match.
Event link facilities (input)	Linking to the specified module is possible. Count start, event count, or count restart is possible upon the specified event.
Low power consumption facilities	Each unit can be placed in a module stop state.

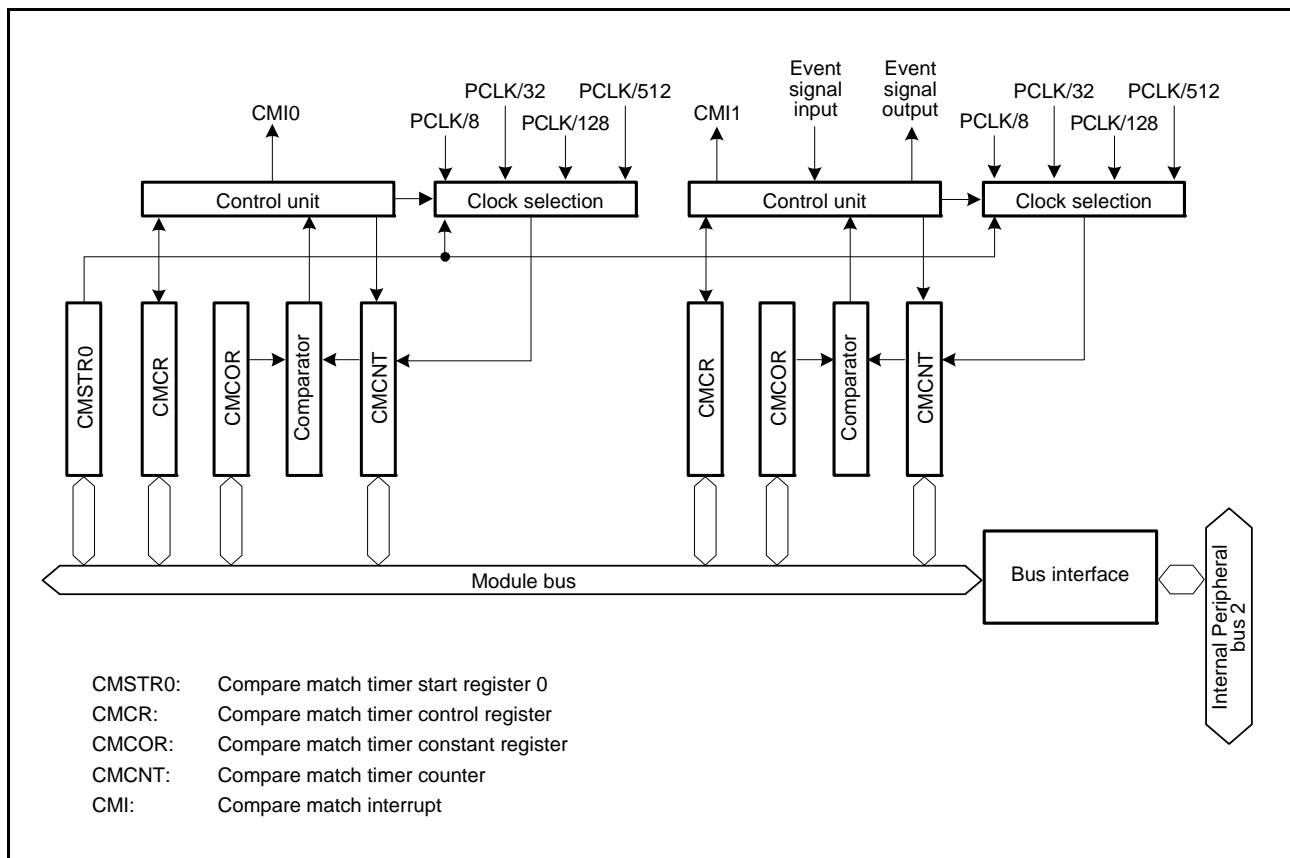


Figure 25.1 Block Diagram of CMT (Unit 0)

25.2 Register Descriptions

25.2.1 Compare Match Timer Start Register 0 (CMSTR0)

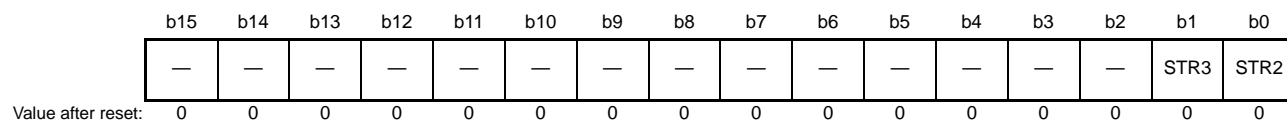
Address(es): 0008 8000h



Bit	Symbol	Bit Name	Description	R/W
b0	STR0	Count Start 0	0: CMT0.CMCNT count is stopped 1: CMT0.CMCNT count is started	R/W
b1	STR1	Count Start 1	0: CMT1.CMCNT count is stopped 1: CMT1.CMCNT count is started	R/W
b15 to b2	—	Reserved	These bits are read as 0. The write value should be 0.	R/W

25.2.2 Compare Match Timer Start Register 1 (CMSTR1)

Address(es): 0008 8010h



Bit	Symbol	Bit Name	Description	R/W
b0	STR2	Count Start 2	0: CMT2.CMCNT count is stopped 1: CMT2.CMCNT count is started	R/W
b1	STR3	Count Start 3	0: CMT3.CMCNT count is stopped 1: CMT3.CMCNT count is started	R/W
b15 to b2	—	Reserved	These bits are read as 0. The write value should be 0.	R/W

25.2.3 Compare Match Timer Control Register (CMCR)

Address(es): CMT0.CMCR 0008 8002h, CMT1.CMCR 0008 8008h, CMT2.CMCR 0008 8012h, CMT3.CMCR 0008 8018h

	b15	b14	b13	b12	b11	b10	b9	b8	b7	b6	b5	b4	b3	b2	b1	b0
	—	—	—	—	—	—	—	—	—	CMIE	—	—	—	—	CKS[1:0]	
Value after reset:	0	0	0	0	0	0	0	0	x	0	0	0	0	0	0	0

x: Undefined

Bit	Symbol	Bit Name	Description	R/W
b1, b0	CKS[1:0]	Clock Select	b1 b0 0 0: PCLK/8 0 1: PCLK/32 1 0: PCLK/128 1 1: PCLK/512	R/W
b5 to b2	—	Reserved	These bits are read as 0. The write value should be 0.	R/W
b6	CMIE	Compare Match Interrupt Enable	0: Compare match interrupt (CMIn) disabled 1: Compare match interrupt (CMIn) enabled	R/W
b7	—	Reserved	The read value is undefined. The write value should be 1.	R/W
b15 to b8	—	Reserved	These bits are read as 0. The write value should be 0.	R/W

CKS[1:0] Bits (Clock Select)

These bits select the count clock to be input to CMCNT from four frequency dividing clocks obtained by dividing the peripheral module clock (PCLK).

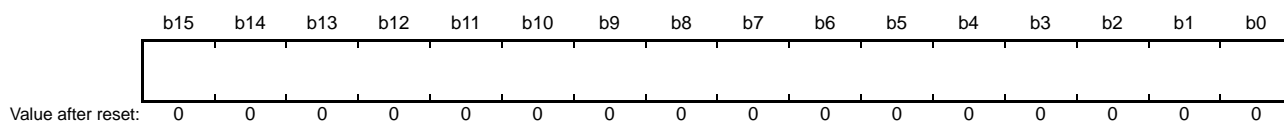
When the STR_n (n = 0 to 3) bit in CMSTR_m (m = 0, 1) is set to 1, CMCNT starts counting up on the clock selected with bits CKS[1:0].

CMIE Bit (Compare Match Interrupt Enable)

The CMIE bit enables or disables compare match interrupt (CMIn) (n = 0 to 3) generation when CMCNT and CMCOR values match.

25.2.4 Compare Match Counter (CMCNT)

Address(es): CMT0.CMCNT 0008 8004h, CMT1.CMCNT 0008 800Ah, CMT2.CMCNT 0008 8014h, CMT3.CMCNT 0008 801Ah



CMCNT is a readable/writable up-counter to generate interrupt requests.

When an frequency dividing clock is selected by bits CKS[1:0] in CMCR and the STR_n (n = 0 to 3) bit in CMSTR_m (m = 0, 1) is set to 1, CMCNT starts counting up using the selected clock.

When the value in CMCNT and the value in CMCOR match, CMCNT is cleared to 0000h. At the same time, a compare match interrupt (CMI_n) (n = 0 to 3) is generated.

25.2.5 Compare Match Constant Register (CMCOR)

Address(es): CMT0.CMCOR 0008 8006h, CMT1.CMCOR 0008 800Ch, CMT2.CMCOR 0008 8016h, CMT3.CMCOR 0008 801Ch



CMCOR is a readable/writable register to set a compare match cycle with CMCNT.

25.3 Operation

25.3.1 Periodic Count Operation

When an frequency dividing clock is selected by bits CKS[1:0] in CMCR and the STRn (n = 0 to 3) bit in CMSTRm (m = 0, 1) is set to 1, CMCNT starts counting up using the selected clock.

When the value in CMCNT and the value in CMCOR match, CMCNT is cleared to 0000h. At the same time, a compare match interrupt (CMI_n) (n = 0 to 3) is generated. CMCNT then starts counting up from 0000h. Figure 25.2 shows the operation of the CMCNT counter.

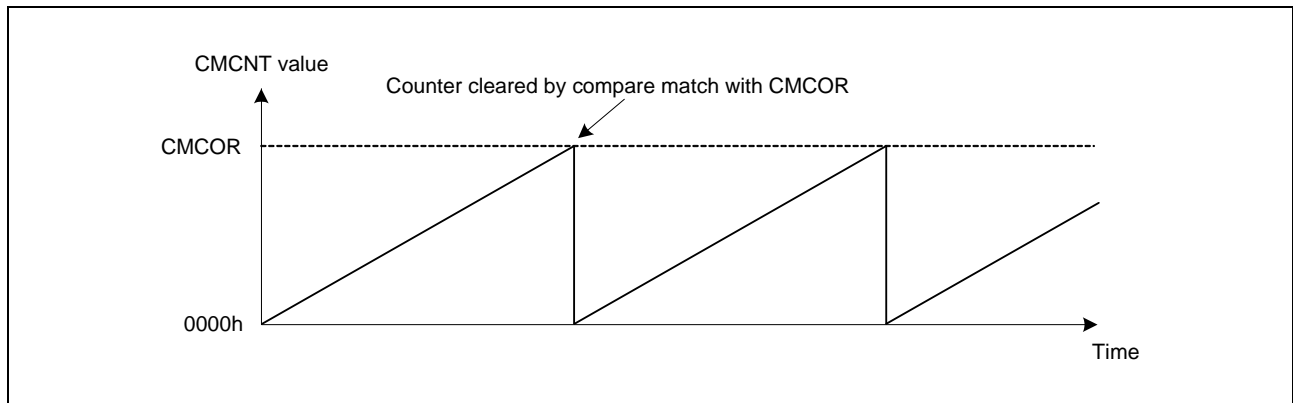


Figure 25.2 CMCNT Counter Operation

25.3.2 CMCNT Count Timing

As the count clock to be input to CMCNT, one of four frequency dividing clocks (PCLK/8, PCLK/32, PCLK/128, and PCLK/512) obtained by dividing the peripheral module clock (PCLK) can be selected with the CKS[1:0] bits in CMCR. Figure 25.3 shows the timing of CMCNT.

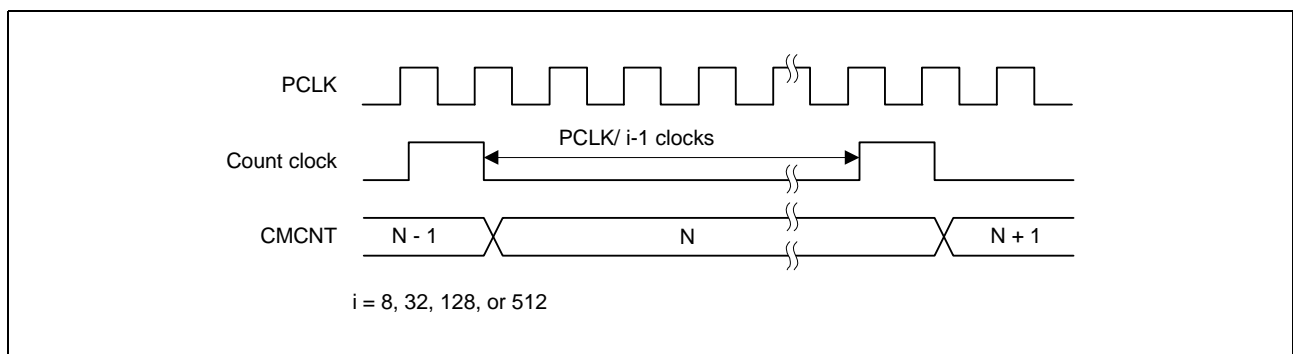


Figure 25.3 CMCNT Count Timing

25.4 Interrupts

25.4.1 Interrupt Sources

The CMT has channels and each of them to which a different vector address is allocated has a compare match interrupt (CMI_n) (n = 0 to 3). When a compare match interrupt occurs, the corresponding interrupt request is output.

When the interrupt is used to activate a CPU interrupt, the priority of channels can be changed by the interrupt controller settings. For details, see section 14, Interrupt Controller (ICUb).

Table 25.2 CMT Interrupt Sources

Name	Interrupt Sources	DTC Activation	DMAC Activation
CMI0	Compare match between CMT0.CMCNT and CMT0.CMCOR	Possible	Possible
CMI1	Compare match between CMT1.CMCNT and CMT1.CMCOR	Possible	Possible
CMI2	Compare match between CMT2.CMCNT and CMT2.CMCOR	Possible	Possible
CMI3	Compare match between CMT3.CMCNT and CMT3.CMCOR	Possible	Possible

25.4.2 Timing of Compare Match Interrupt Generation

When CMCNT and CMCOR match, a compare match interrupt (CMI_n) (n = 0 to 3) is generated.

A compare match signal is generated at the last state in which the values match (the timing when the CMCNT counter updates the matched count value). That is, after a match between CMCOR and CMCNT, the compare match signal is not generated until the next CMCNT input clock.

Figure 25.4 shows the timing of a compare match interrupt.

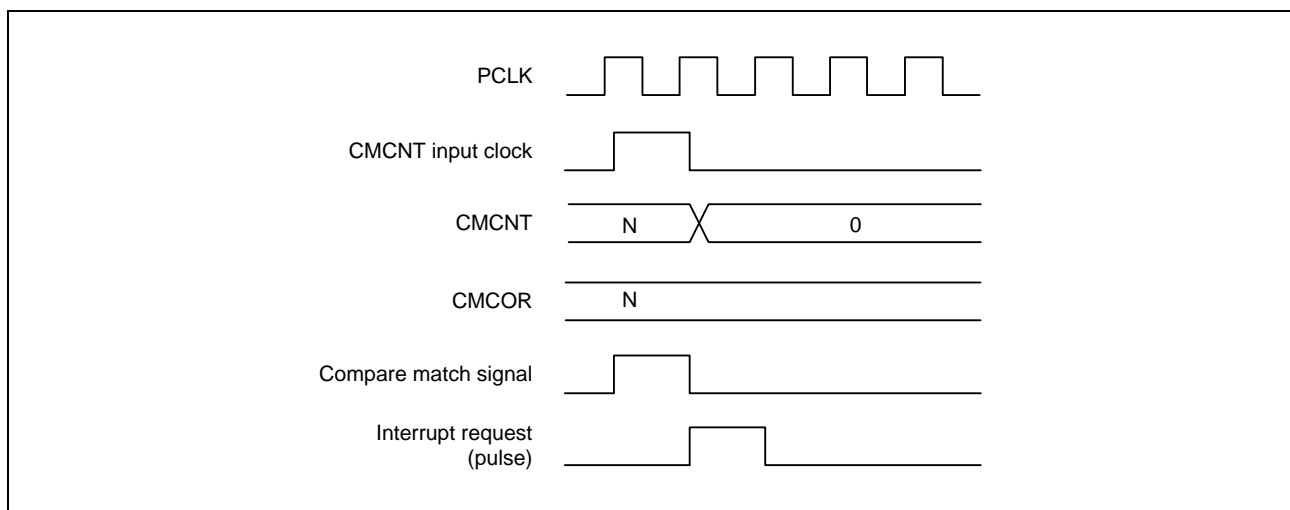


Figure 25.4 Timing of a Compare Match Interrupt

25.5 Link Operations by ELC

25.5.1 Event Signal Output to ELC

The CMT uses the event link controller (ELC) to perform link operation to the previously specified module using the interrupt request signal as the event signal. The CMT outputs the event signal upon a CMT1 compare match. The event signal can be output regardless of the setting of the corresponding interrupt request enable bit (CMTn.CMCR.CMIE).

25.5.2 CMT Operation when Receiving an Event Signal from ELC

The CMT can perform either of the following operations upon the event previously specified by the ELSR7 register of the ELC.

(1) Count Start

When the CMT count start operation is selected by the ELOPC register of the ELC and the event specified by ELSR7 occurs, the CMSTR0.STR1 bit is set to 1, starting the CMT count operation. However, if the specified event occurs while the CMSTR0.STR1 bit is 1, the event is ignored.

(2) Event Count

When the CMT event count operation is selected by the ELOPC register of the ELC and the event specified by ELSR7 occurs with the CMSTR0.STR1 bit being 1, the events are counted as the count source regardless of the CMT1.CMCR.CKS[1:0] bit setting. Reading the counter value returns the number of events that have been actually input.

(3) Count Restart

When the CMT count restart operation is selected by the ELOPC register of the ELC and the event specified by ELSR7 occurs, the CMT1.CMCNT counter value is modified to the initial value. If the CMSTR0.STR1 bit is 1 here, the count operation can be continued.

25.5.3 Notes on Operating CMT According to an Event Signal from ELC

The following describes the notes on operating the CMT using the event link feature.

(1) Count Start

When the event specified by ELSR7 occurs during the write cycle to the CMSTR0.STR1 bit, writing to this bit is not completed; setting 1 according to the event occurrence takes priority.

(2) Event Count

When the event specified by ELSR7 occurs during the write cycle to the CMT1.CMCNT, writing to this bit is not completed; event count operation according to the event occurrence takes priority.

(3) Count Restart

When the event specified by ELSR7 occurs during the write cycle to the CMT1.CMCNT, writing to this bit is not completed; count value initialization according to the event occurrence takes priority.

25.6 Usage Notes

25.6.1 Setting the Module Stop Function

The CMT can be enabled or disabled using the module stop control register. The CMT is disabled by default. The registers can be accessed by canceling the module stop state. For details, see section 11, Low Power Consumption.

25.6.2 Conflict between Write and Compare-Match Processes of CMCNT

When the compare match signal is generated while writing to CMCNT, clearing CMCNT has priority over writing to it. In this case, CMCNT is not written to. Figure 25.5 shows the timing to clear the CMCNT counter.

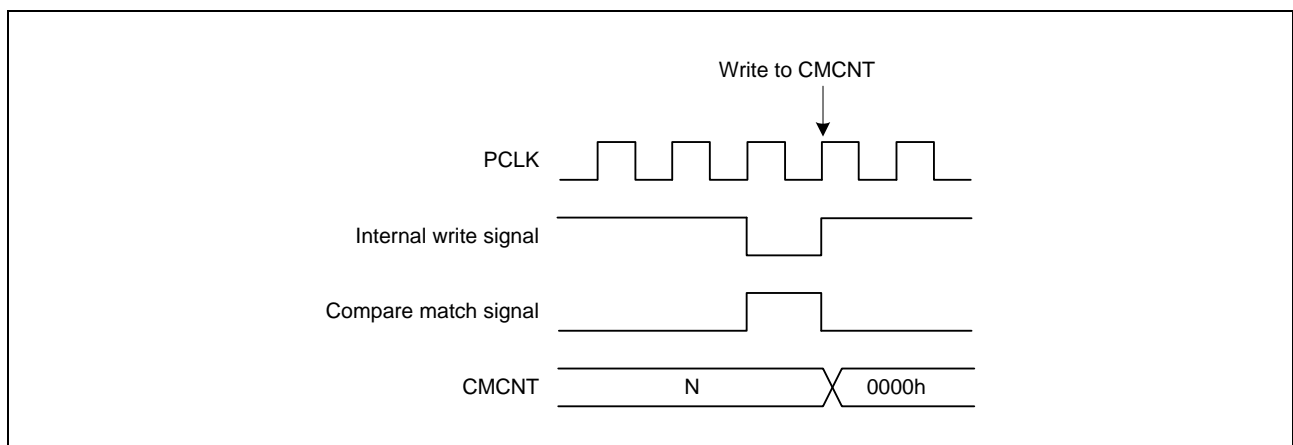


Figure 25.5 Conflict between Write and Compare Match Processes of CMCNT

25.6.3 Conflict between Write and Count-Up Processes of CMCNT

Even when the count-up occurs while writing to CMCNT, the writing has priority over the count-up. In this case, the count-up is not performed. Figure 25.6 shows the timing to write the CMCNT counter.

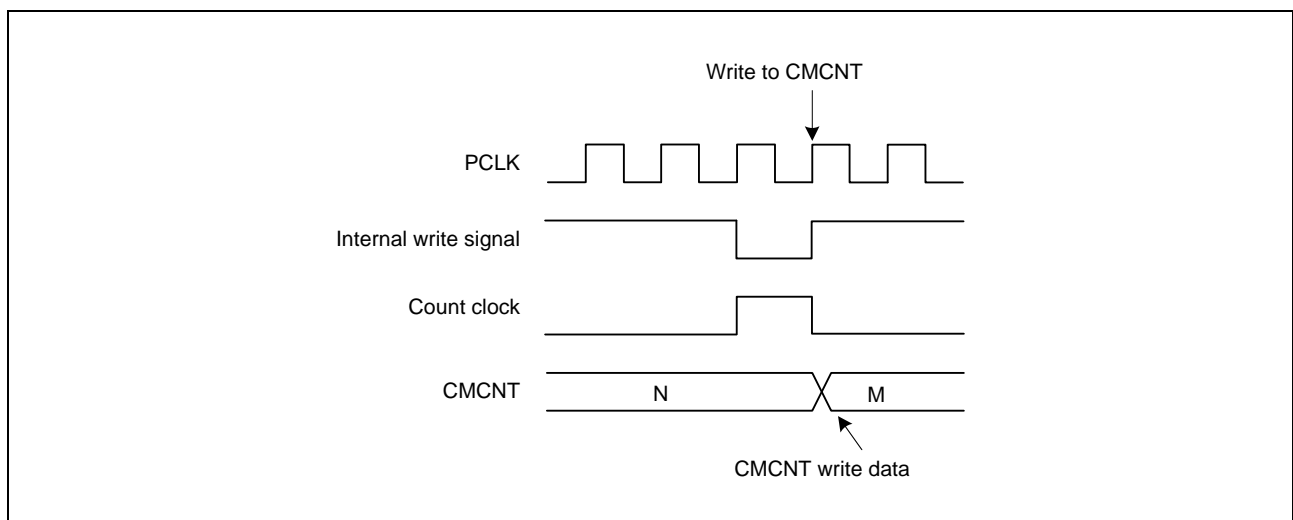


Figure 25.6 Conflict between Write and Count-Up Processes of CMCNT

26. Realtime Clock (RTCb)

26.1 Overview

The RTC is capable of counting 100 years from year 0 to year 99. If we place 20 in the hundreds and thousands positions, counting is automatically adjusted for leap years.

With the source for counting pre-scaled to produce a 128-Hz clock signal as the base clock, cycles of this signal are counted in year, month, date, day of the week, a.m. or p.m. (in 12-hour mode), hour, minute, second, and 1/128 second units.

Table 26.1 lists the specifications of the RTC, Figure 26.1 shows a block diagram of the RTC, and Table 26.2 shows the pin configuration of the RTC.

Table 26.1 Specifications of RTC

Item	Description
Count source*1	Sub-clock (XCIN)
Clock and calendar functions	<ul style="list-style-type: none"> Year, month, date, day of the week, hours, minutes, and seconds are counted and represented in BCD Indicates the state of 1, 2, 4, 8, 16, 32, or 64-Hz in binary Selection of 12- or 24-hour mode Start/stop function 30-second adjustment (30 seconds or less are rounded down to 00 second, and 30 seconds or more are rounded up to one minute) Automatic leap year adjustment Output a 1-Hz clock Time error adjustment function
Interrupts	<ul style="list-style-type: none"> Alarm interrupt (ALM) Year, month, date, day of the week, hours, minutes, and seconds can be selected as conditions for the alarm interrupt Periodic interrupt (PRD) 2 seconds, 1 second, 1/2 second, 1/4 second, 1/8 second, 1/16 second, 1/32 second, 1/64 second, or 1/256 second can be selected as an interrupt period. Carry interrupt (CUP) Indicates occurrence of a carry to the seconds counter or a carry to the 64-Hz counter during reading of the 64-Hz counter Recovery from software standby mode or deep software standby mode can be performed by an alarm interrupt or periodic interrupt
Time-capture facility	<ul style="list-style-type: none"> Times when any of three event signals are input can be captured The month, date, hour, minute, and second are captured for each event
Event link function	<ul style="list-style-type: none"> Periodic event output

Note 1. Satisfy the frequency of the peripheral module clock (PCLKB) \geq the frequency of the count source clock.

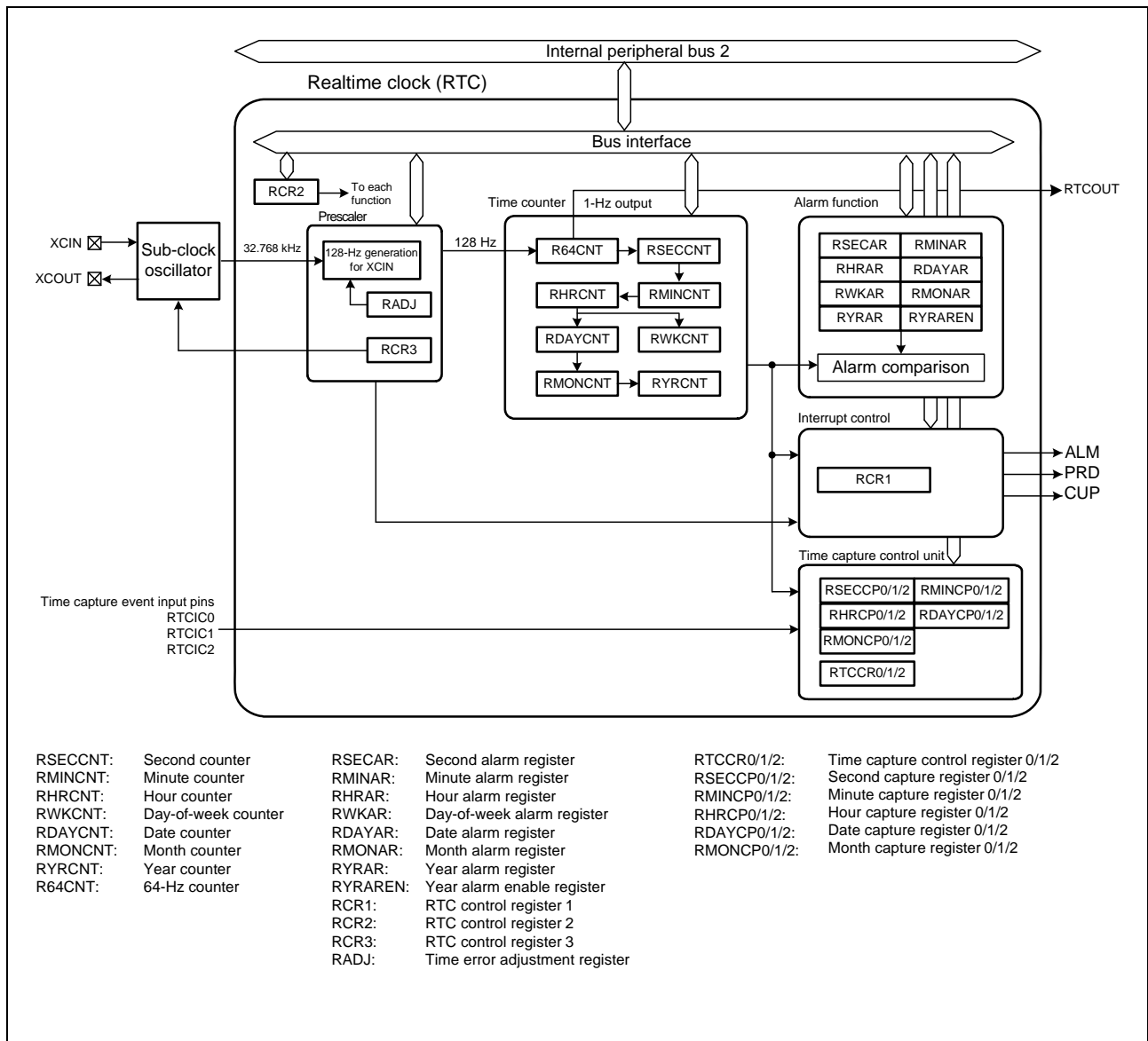


Figure 26.1 Block Diagram of RTC

Table 26.2 Pin Configuration of RTC

Pin Name	I/O	Function
XCIN	Input	Connect a 32.768-kHz crystal resonator for the RTC to these pins.
XCOU	Output	
RTCOUT	Output	Output a 1-Hz clock, but this clock is not output in deep software standby mode.
RTCIC0	Input	Time capture event input pins
RTCIC1	Input	
RTCIC2	Input	

26.2 Register Descriptions

Furthermore, when writing to or reading from RTC registers, do so in accord with section 26.6.5, Points for Caution when Writing to and Reading from Registers.

If the value in an RTC register after a reset is given as x (undefined bits) in the list, it is not initialized by a reset or in deep standby mode. When RTC enters the reset state or a low power consumption state during counting operations (i.e. while the RCR2.START bit is 1), the year, month, day of the week, date, hours, minutes, seconds, and 64-Hz counters continue to operate. However, note that a reset generated during writing to or updating of a register might destroy the register value. In addition, do not allow the chip to enter software standby mode or deep software standby mode just after setting any of these registers. For details, refer to section 26.6.4, Transitions to Low Power Consumption Modes after Setting Registers.

26.2.1 64-Hz Counter (R64CNT)

Address(es): 0008 C400h

	b7	b6	b5	b4	b3	b2	b1	b0
	—	F1HZ	F2HZ	F4HZ	F8HZ	F16HZ	F32HZ	F64HZ
Value after reset:	0	x	x	x	x	x	x	x

x: Undefined

Bit	Symbol	Bit Name	Description	R/W
b0	F64HZ	64Hz	Indicate the state between 1-Hz and 64-Hz.	R
b1	F32HZ	32Hz		R
b2	F16HZ	16Hz		R
b3	F8HZ	8Hz		R
b4	F4HZ	4Hz		R
b5	F2HZ	2Hz		R
b6	F1HZ	1Hz		R
b7	—	Reserved	This bit is read as 0. Writing to this bit has no effect.	R

The 64-Hz counter (R64CNT) generates the period for a second by counting up periods of the 128-Hz clock.

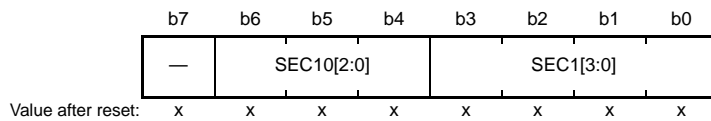
The state in the sub-seconds range can be confirmed by reading this counter.

This counter is cleared to 00h by an RTC software reset or executing 30-second adjustment.

To read this counter, follow the procedure in section 26.3.5, Reading 64-Hz Counter and Time.

26.2.2 Second Counter (RSECCNT)

Address(es): 0008 C402h



Value after reset:

x: Undefined

Bit	Symbol	Bit Name	Description	R/W
b3 to b0	SEC1[3:0]	Ones Place of Seconds	Counts from 0 to 9 once per second. When a carry is generated, 1 is added to the tens place.	R/W
b6 to b4	SEC10[2:0]	Tens Place of Seconds	Counts from 0 to 5 for 60-second counting.	R/W
b7	—	Reserved	Set this bit to 0. It is read as 0.	R/W

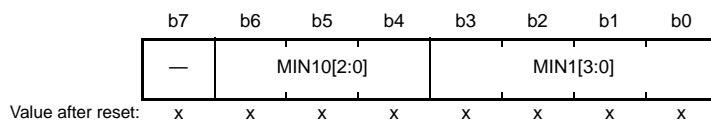
RSECCNT is used for setting and counting the BCD-coded second value. It counts carries generated once per second in the 64-Hz counter.

The setting range is decimal 00 to 59. The RTC will not operate normally if any other value is set. Before writing to this register, be sure to stop the count operation through the setting of the START bit in RCR2.

To read this counter, follow the procedure in section 26.3.5, Reading 64-Hz Counter and Time.

26.2.3 Minute Counter (RMINCNT)

Address(es): 0008 C404h



Value after reset:

x: Undefined

Bit	Symbol	Bit Name	Description	R/W
b3 to b0	MIN1[3:0]	Ones Place of Minutes	Counts from 0 to 9 once per minute. When a carry is generated, 1 is added to the tens place.	R/W
b6 to b4	MIN10[2:0]	Tens Place of Minutes	Counts from 0 to 5 for 60-minute counting.	R/W
b7	—	Reserved	Set this bit to 0. It is read as 0.	R/W

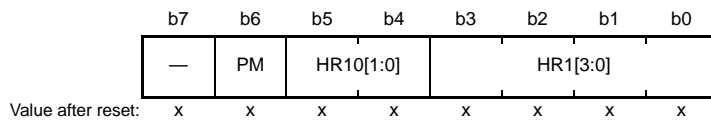
RMINCNT is used for setting and counting the BCD-coded minute value. It counts carries generated once per minute in the second counter.

A value from 00 through 59 (practically in BCD) can be specified; if a value outside of this range is specified, the RTC does not operate correctly. Before writing to this register, be sure to stop the count operation through the setting of the START bit in RCR2.

To read this counter, follow the procedure in section 26.3.5, Reading 64-Hz Counter and Time.

26.2.4 Hour Counter (RHRCNT)

Address(es): 0008 C406h



x: Undefined

Bit	Symbol	Bit Name	Description	R/W
b3 to b0	HR1[3:0]	Ones Place of Hours	Counts from 0 to 9 once per hour. When a carry is generated, 1 is added to the tens place.	R/W
b5, b4	HR10[1:0]	Tens Place of Hours	Counts from 0 to 2 once per carry from the ones place.	R/W
b6	PM	PM	Time Counter Setting for a.m./p.m. 0: a.m. 1: p.m.	R/W
b7	—	Reserved	Set this bit to 0. It is read as 0.	R/W

RHRCNT is used for setting and counting the BCD-coded hour value. It counts carries generated once per hour in the minute counter.

The specifiable time differs according to the setting in the time mode bit (RCR2.HR24).

When the RCR2.HR24 bit is 0: From 00 to 11 (practically in BCD)

When the RCR2.HR24 bit is 1: From 00 to 23 (practically in BCD)

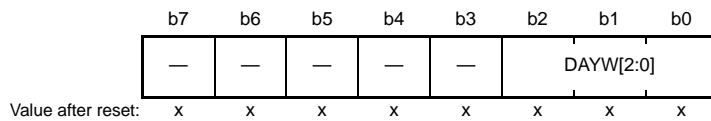
If a value outside of this range is specified, the RTC does not operate correctly. Before writing to this register, be sure to stop the count operation through the setting of the START bit in RCR2.

The PM bit is only enabled when the RCR2.HR24 bit is 0. Otherwise, the setting in the PM bit has no effect.

To read this counter, follow the procedure in section 26.3.5, Reading 64-Hz Counter and Time.

26.2.5 Day-of-Week Counter (RWKCNT)

Address(es): 0008 C408h



x: Undefined

Bit	Symbol	Bit Name	Description	R/W
b2 to b0	DAYW[2:0]	Day-of-Week Counting	b2 b0 0 0 0: Sunday 0 0 1: Monday 0 1 0: Tuesday 0 1 1: Wednesday 1 0 0: Thursday 1 0 1: Friday 1 1 0: Saturday 1 1 1: Setting prohibited	R/W
b7 to b3	—	Reserved	Set these bits to 0. They are read as 0.	R/W

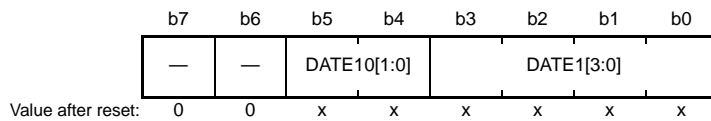
RWKCNT is used for setting and counting in the BCD-coded day-of-week value. It counts carries generated once per day in the hour counter.

A value from 0 through 6 (practically in BCD) can be specified; if a value outside of this range is specified, the RTC does not operate correctly. Before writing to this register, be sure to stop the count operation through the setting of the START bit in RCR2.

To read this counter, follow the procedure in section 26.3.5, Reading 64-Hz Counter and Time.

26.2.6 Date Counter (RDAYCNT)

Address(es): 0008 C40Ah



Value after reset:

x: Undefined

Bit	Symbol	Bit Name	Description	R/W
b3 to b0	DATE1[3:0]	Ones Place of Days	Counts from 0 to 9 once per day. When a carry is generated, 1 is added to the tens place.	R/W
b5, b4	DATE10[1:0]	Tens Place of Days	Counts from 0 to 3 once per carry from the ones place.	R/W
b7, b6	—	Reserved	These bits are read as 0. The write value should be 0.	R/W

RDAYCNT is used for setting and counting the BCD-coded date value. It counts carries generated once per day in the hour counter. The count operation depends on the month and whether the year is a leap year.

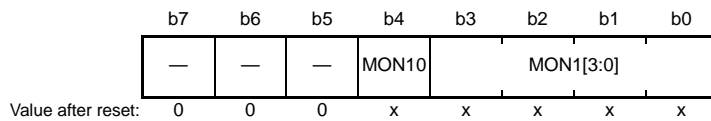
Leap years are determined according to whether the year counter (RYRCNT) value is divisible by 400, 100, and 4.

A value from 01 through 31 (practically in BCD) can be specified; if a value outside of this range is specified, the RTC does not operate correctly. (When specifying a value, note that the range of specifiable days depends on the month and whether the year is a leap year.) Before writing to this register, be sure to stop the count operation through the setting of the START bit in RCR2.

To read this counter, follow the procedure in section 26.3.5, Reading 64-Hz Counter and Time.

26.2.7 Month Counter (RMONCNT)

Address(es): 0008 C40Ch



Value after reset:

x: Undefined

Bit	Symbol	Bit Name	Description	R/W
b3 to b0	MON1[3:0]	Ones Place of Months	Counts from 0 to 9 once per month. When a carry is generated, 1 is added to the tens place.	R/W
b4	MON10	Tens Place of Months	Counts from 0 to 1 once per carry from the ones place.	R/W
b7 to b5	—	Reserved	These bits are read as 0. The write value should be 0.	R/W

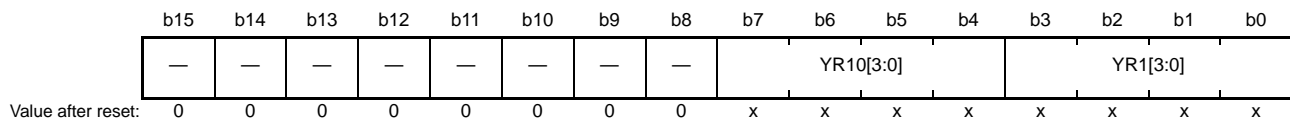
RMONCNT is used for setting and counting the BCD-coded month value. It counts carries generated once per month in the date counter.

A value from 01 through 12 (practically in BCD) can be specified; if a value outside of this range is specified, the RTC does not operate correctly. Before writing to this register, be sure to stop the count operation through the setting of the START bit in RCR2.

To read this counter, follow the procedure in section 26.3.5, Reading 64-Hz Counter and Time.

26.2.8 Year Counter (RYRCNT)

Address(es): 0008 C40Eh



Value after reset:

x: Undefined

Bit	Symbol	Bit Name	Description	R/W
b3 to b0	YR1[3:0]	Ones Place of Years	Counts from 0 to 9 once per year. When a carry is generated, 1 is added to the tens place.	R/W
b7 to b4	YR10[3:0]	Tens Place of Years	Counts from 0 to 9 once per carry from ones place. When a carry is generated in the tens place, 1 is added to the hundreds place.	R/W
b15 to b8	—	Reserved	These bits are read as 0. The write value should be 0.	R/W

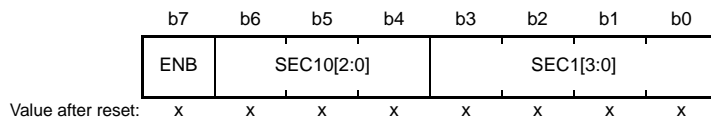
RYRCNT is used for setting and counting the BCD-coded year value. It counts carries generated once per year in the month counter.

A value from 00 through 99 (practically in BCD) can be specified; if a value outside of this range is specified, the RTC does not operate correctly. Before writing to this register, be sure to stop the count operation through the setting of the START bit in RCR2.

To read this counter, follow the procedure in section 26.3.5, Reading 64-Hz Counter and Time.

26.2.9 Second Alarm Register (RSECAR)

Address(es): 0008 C410h



x: Undefined

Bit	Symbol	Bit Name	Description	R/W
b3 to b0	SEC1[3:0]	1 Second	Value for the ones place of seconds	R/W
b6 to b4	SEC10[2:0]	10 Seconds	Value for the tens place of seconds	R/W
b7	ENB	ENB	When this bit is set to 1, this register value is compared with the RSECCNT value.	R/W

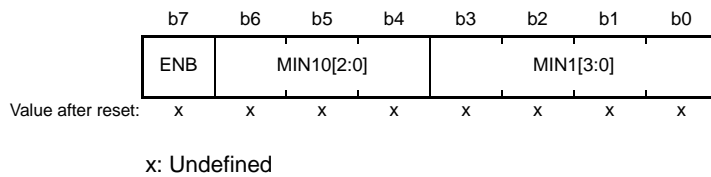
RSECAR is an alarm register corresponding to the BCD-coded second counter RSECCNT. When the ENB bit is set to 1, the RSECAR value is compared with the RSECCNT value. From among the alarm registers (RSECAR, RMINAR, RHRAR, RWKAR, RDAYAR, RMONAR, and RYRAREN), only those selected with the ENB bits set to 1 are compared with the corresponding counters. When the respective values all match, the corresponding IR92.IR flag of the ICU is set to 1.

RSECAR values from 00 through 59 (practically in BCD) can be specified; if a value outside of this range is specified, the RTC does not operate correctly.

This register is cleared to 00h by an RTC software reset.

26.2.10 Minute Alarm Register (RMINAR)

Address(es): 0008 C412h



Bit	Symbol	Bit Name	Description	R/W
b3 to b0	MIN1[3:0]	1 Minute	Value for the ones place of minutes	R/W
b6 to b4	MIN10[2:0]	10 Minutes	Value for the tens place of minutes	R/W
b7	ENB	ENB	When this bit is set to 1, this register value is compared with the RMINCNT value.	R/W

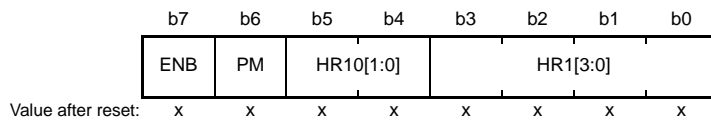
RMINAR is an alarm register corresponding to the BCD-coded minute counter RMINCNT. When the ENB bit is set to 1, the RMINAR value is compared with the RMINCNT value. From among the alarm registers (RSECAR, RMINAR, RHRAR, RWKAR, RDAYAR, RMONAR, and RYRAREN), only those selected with the ENB bits set to 1 are compared with the corresponding counters. When the respective values all match, the corresponding IR92.IR flag of the ICU is set to 1.

RMINAR values from 00 through 59 (practically in BCD) can be specified; if a value outside of this range is specified, the RTC does not operate correctly.

This register is cleared to 00h by an RTC software reset.

26.2.11 Hour Alarm Register (RHRAR)

Address(es): 0008 C414h



Value after reset:

x: Undefined

Bit	Symbol	Bit Name	Description	R/W
b3 to b0	HR1[3:0]	1 Hour	Value for the ones place of hours	R/W
b5, b4	HR10[1:0]	10 Hours	Value for the tens place of hours	R/W
b6	PM	PM	Time Alarm Setting for a.m./p.m. 0: a.m. 1: p.m.	R/W
b7	ENB	ENB	When this bit is set to 1, this register value is compared with the RHCNT value.	R/W

RHRAR is an alarm register corresponding to the BCD-coded hour counter RHCNT. When the ENB bit is set to 1, the RHRAR value is compared with the RHCNT value. From among the alarm registers (RSECAR, RMINAR, RHRAR, RWKAR, RDAYAR, RMONAR, and RYRAREN), only those selected with the ENB bits set to 1 are compared with the corresponding counters. When the respective values all match, the corresponding IR92.IR flag of the ICU is set to 1.

The specifiable time differs according to the setting in the time mode bit (RCR2.HR24).

When the RCR2.HR24 bit is 0: From 00 to 11 (practically in BCD)

When the RCR2.HR24 bit is 1: From 00 to 23 (practically in BCD)

If a value outside of this range is specified, the RTC does not operate correctly.

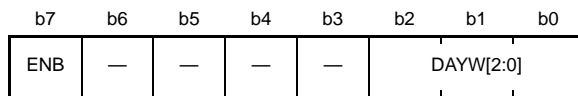
When the RCR2.HR24 bit is 0, be sure to set the PM bit.

When the RCR2.HR24 bit is 1, the setting in the PM bit has no effect.

This register is cleared to 00h by an RTC software reset.

26.2.12 Day-of-Week Alarm Register (RWKAR)

Address(es): 0008 C416h



Value after reset: x x x x x x x x

x: Undefined

Bit	Symbol	Bit Name	Description	R/W
b2 to b0	DAYW[2:0]	Day-of-Week Setting	b2 b0 0 0 0: Sunday 0 0 1: Monday 0 1 0: Tuesday 0 1 1: Wednesday 1 0 0: Thursday 1 0 1: Friday 1 1 0: Saturday 1 1 1: Setting prohibited	R/W
b6 to b3	—	Reserved	Set these bits to 0. They are read as 0.	R/W
b7	ENB	ENB	When this bit is set to 1, this register value is compared with the RWKCNT value.	R/W

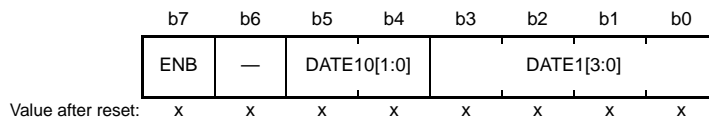
RWKAR is an alarm register corresponding to the BCD-coded day-of-week counter RWKCNT. When the ENB bit is set to 1, the RWKAR value is compared with the RWKCNT value. From among the alarm registers (RSECAR, RMINAR, RHRAR, RWKAR, RDAYAR, RMONAR, and RYRAREN), only those selected with the ENB bits set to 1 are compared with the corresponding counters. When the respective values all match, the corresponding IR92.IR flag of the ICU is set to 1.

RWKAR values from 0 through 6 (practically in BCD) can be specified; if a value outside of this range is specified, the RTC does not operate correctly.

This register is cleared to 00h by an RTC software reset.

26.2.13 Date Alarm Register (RDAYAR)

Address(es): 0008 C418h



x: Undefined

Bit	Symbol	Bit Name	Description	R/W
b3 to b0	DATE1[3:0]	1 Day	Value for the ones place of days	R/W
b5, b4	DATE10[1:0]	10 Days	Value for the tens place of days	R/W
b6	—	Reserved	Set this bit to 0. It is read as 0.	R/W
b7	ENB	ENB	When this bit is set to 1, this register value is compared with the RDAYCNT value.	R/W

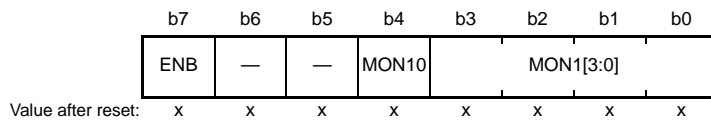
RDAYAR is an alarm register corresponding to the BCD-coded date counter RDAYCNT. When the ENB bit is set to 1, the RDAYAR value is compared with the RDAYCNT value. From among the alarm registers (RSECAR, RMINAR, RHRAR, RWKAR, RDAYAR, RMONAR, and RYRAREN), only those selected with the ENB bits set to 1 are compared with the corresponding counters. When the respective values all match, the corresponding IR92.IR flag of the ICU is set to 1.

RDAYAR values from 01 through 31 (practically in BCD) can be specified; if a value outside of this range is specified, the RTC does not operate correctly.

This register is cleared to 00h by an RTC software reset.

26.2.14 Month Alarm Register (RMONAR)

Address(es): 0008 C41Ah



x: Undefined

Bit	Symbol	Bit Name	Description	R/W
b3 to b0	MON1[3:0]	1 Month	Value for the ones place of months	R/W
b4	MON10	10 Months	Value for the tens place of months	R/W
b6, b5	—	Reserved	Set these bits to 0. They are read as 0.	R/W
b7	ENB	ENB	When this bit is set to 1, this register value is compared with the RMONCNT value.	R/W

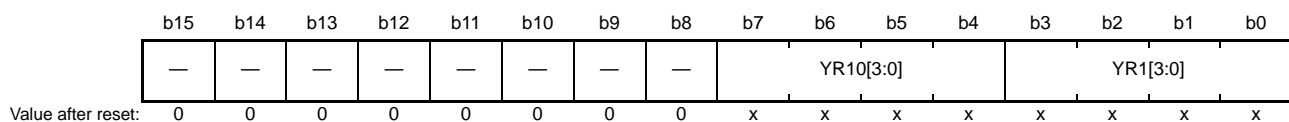
RMONAR is an alarm register corresponding to the BCD-coded month counter RMONCNT. When the ENB bit is set to 1, the RMONAR value is compared with the RMONCNT value. From among the alarm registers (RSECAR, RMINAR, RHRAR, RWKAR, RDAYAR, RMONAR, and RYRAREN), only those selected with the ENB bits set to 1 are compared with the corresponding counters. When the respective values all match, the corresponding IR92.IR flag of the ICU is set to 1.

RMONAR values from 01 through 12 (practically in BCD) can be specified; if a value outside of this range is specified, the RTC does not operate correctly.

This register is cleared to 00h by an RTC software reset.

26.2.15 Year Alarm Register (RYRAR)

Address(es): 0008 C41Ch



x: Undefined

Bit	Symbol	Bit Name	Description	R/W
b3 to b0	YR1[3:0]	1 Year	Value for the ones place of years	R/W
b7 to b4	YR10[3:0]	10 Years	Value for the tens place of years	R/W
b15 to b8	—	Reserved	These bits are read as 0. The write value should be 0.	R/W

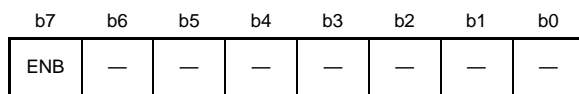
RYRAR is an alarm register corresponding to the BCD-coded year counter RYRCNT.

RYRAR values from 00 through 99 (practically in BCD) can be specified; if a value outside of this range is specified, the RTC does not operate correctly.

This register is cleared to 0000h by an RTC software reset.

26.2.16 Year Alarm Enable Register (RYRAREN)

Address(es): 0008 C41Eh



Value after reset: x x x x x x x x

x: Undefined

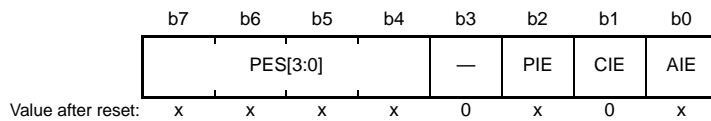
Bit	Symbol	Bit Name	Description	R/W
b6 to b0	—	Reserved	Set these bits to 0. They are read as 0.	R/W
b7	ENB	ENB	When this bit is set to 1, the RYRAR value is compared with the RYRCNT value.	R/W

When the ENB bit in RYRAREN is set to 1, the RYRAR value is compared with the RYRCNT value. From among the alarm registers (RSECAR, RMINAR, RHRAR, RWKAR, RDAYAR, RMONAR, and RYRAREN), only those selected with the ENB bits set to 1 are compared with the corresponding counters. When the respective values all match, the corresponding IR92.IR flag of the ICU is set to 1.

This register is cleared to 00h by an RTC software reset.

26.2.17 RTC Control Register 1 (RCR1)

Address(es): 0008 C422h



x: Undefined

Bit	Symbol	Bit Name	Description	R/W
b0	AIE	Alarm Interrupt Enable	0: An alarm interrupt request is disabled 1: An alarm interrupt request is enabled	R/W
b1	CIE	Carry Interrupt Enable	0: A carry interrupt request is disabled. 1: A carry interrupt request is enabled.	R/W
b2	PIE	Periodic Interrupt Enable	0: A periodic interrupt request is disabled. 1: A periodic interrupt request is enabled.	R/W
b3	—	Reserved	This bit is read as 0. The write value should be 0.	R/W
b7 to b4	PES[3:0]	Periodic Interrupt Select	<div style="display: flex; justify-content: space-between;"> b7 b4 </div> 0 1 1 0: A periodic interrupt is generated every 1/256 second. 0 1 1 1: A periodic interrupt is generated every 1/128 second. 1 0 0 0: A periodic interrupt is generated every 1/64 second. 1 0 0 1: A periodic interrupt is generated every 1/32 second. 1 0 1 0: A periodic interrupt is generated every 1/16 second. 1 0 1 1: A periodic interrupt is generated every 1/8 second. 1 1 0 0: A periodic interrupt is generated every 1/4 second. 1 1 0 1: A periodic interrupt is generated every 1/2 second. 1 1 1 0: A periodic interrupt is generated every 1 second. 1 1 1 1: A periodic interrupt is generated every 2 seconds. Other than above: No periodic interrupts are generated.	R/W

Bits AIE, PIE, and PES[3:0] are updated in synchronization with the count source. When RCR1 is modified, check that all the bits have been updated without fail before continuing with further processing.

AIE Bit (Alarm Interrupt Enable)

This bit enables or disables alarm interrupt requests.

If the times indicated by the counters and alarm settings match in deep software standby mode, the mode is canceled regardless of the value of the AIE bit.

CIE Bit (Carry Interrupt Enable)

This bit enables or disabled interrupt requests when a carry to the second counter occurred or a carry to the 64-Hz counter occurred during read access to the 64-Hz counter.

PIE Bit (Periodic Interrupt Enable)

This bit enables or disabled a periodic interrupt.

If the times indicated by the counters and PES[3:0] settings match in deep software standby mode, the mode is canceled regardless of the value of the PIE bit.

PES[3:0] Bits (Periodic Interrupt Select)

These bits specify the period for the periodic interrupt. A periodic interrupt (PRD) is generated with the period specified by these bits.

26.2.18 RTC Control Register 2 (RCR2)

Address(es): 0008 C424h

	b7	b6	b5	b4	b3	b2	b1	b0
	—	HR24	AADJP	AADJE	RTCOE	ADJ30	RESET	START
Value after reset:	x	x	x	x	0	0	0	x

x: Undefined

Bit	Symbol	Bit Name	Description	R/W
b0	START	Start	0: Year, month, day-of-week, date, hour, minute, second, and 64-Hz counters, and prescaler are stopped. 1: Year, month, day-of-week, date, hour, minute, second, and 64-Hz counters, and prescaler operate normally.	R/W
b1	RESET	RTC Software Reset	<ul style="list-style-type: none"> In writing <ul style="list-style-type: none"> 0: Writing is invalid. 1: The prescaler and target registers are reset by RTC software reset. (R64CNT, RSECAR, RMINAR, RHRAR, RWKAR, RDAYAR, RMONAR, RYRAR, RYRAREN, RADJ, RTCCRy, RSECCPy, RMINCPy, RHRCPy, RDAYCPy, RMONCPy, RCR2.ADJ30, RCR2.AADJE, RCR2.AADJP) In reading <ul style="list-style-type: none"> 0: In normal time operation, or RTC software reset has completed. 1: During an RTC software reset 	R/W
b2	ADJ30	30-Second Adjustment	<ul style="list-style-type: none"> In writing <ul style="list-style-type: none"> 0: Writing is invalid. 1: 30-second adjustment is executed. In reading <ul style="list-style-type: none"> 0: In normal time operation, or 30-second adjustment has completed. 1: During 30-second adjustment 	R/W
b3	RTCOE	RTCOU Output Enable	0: RTCOU output disabled. 1: RTCOU output enabled.	R/W
b4	AADJE	Automatic Adjustment Enable	0: Automatic adjustment is disabled. 1: Automatic adjustment is enabled.	R/W
b5	AADJP	Automatic Adjustment Period Select	0: The RAdj.ADJ[5:0] setting value is adjusted from the count value of the prescaler every one minute. 1: The RAdj.ADJ[5:0] setting value is adjusted from the count value of the prescaler every ten seconds.	R/W
b6	HR24	Hours Mode	0: The RTC operates in 12-hour mode. 1: The RTC operates in 24-hour mode.	R/W
b7	—	Reserved	Set this bit to 0. It is read as 0.	R/W

START Bit (Start)

This bit stops or restarts the prescaler or counter (clock) operation.

The START bit is updated in synchronization with the count source. When the START bit is modified, check that the bit is updated without fail, and then make next settings.

RESET Bit (RTC Software Reset)

This bit initializes the prescaler and registers to be reset by RTC software.

When 1 is written to the RESET bit, the initialization starts in synchronization with the count source. When the initialization is completed, the RESET bit is automatically cleared to 0.

When 1 is written to the RESET bit, check that the bit is cleared to 0, and then make next settings.

ADJ30 Bit (30-Second Adjustment)

This bit is for 30-second adjustment.

When 1 is written to the ADJ30 bit, the RSECCNT value of 30 seconds or less is rounded down to 00 second and the value of 30 seconds or more is rounded up to one minute.

The 30-second adjustment is performed in synchronization with the count source. When 1 is written to this bit, the ADJ30 bit is automatically cleared to 0 after the 30-second adjustment is completed. In case when 1 is written to the ADJ30 bit, check that the bit is cleared to 0, and then make next settings.

When the 30-second adjustment is performed, the prescaler and R64CNT are also reset.

The ADJ30 bit is cleared to 0 by an RTC software reset.

RTCOE Bit (RTCOUT Output Enable)

This bit enables output of a 1-Hz clock signal from the RTCOUT pin.

Use the START bit to stop counting by the counters before changing the value of the RTCOE bit. Do not stop counting (write 0 to the START bit) and change the value of the RTCOE bit at the same time.

When RTCOUT is to be output from an external pin, enable the RTCOE bit and set up the port control for the pin.

AADJE Bit (Automatic Adjustment Enable)

This bit controls (enables or disables) automatic adjustment.

Set the plus–minus bits (PMADJ[1:0] in RADJ) to 00b (no adjustment) before changing the value of the AADJE bit.

The AADJE bit is cleared to 0 by an RTC software reset.

AADJP Bit (Automatic Adjustment Period Select)

This bit selects the automatic-adjustment period.

Set the plus–minus bits (PMADJ[1:0] in RADJ) to 00b (no adjustment) before changing the value of the AADJP bit.

The AADJP bit is cleared to 0 by an RTC software reset.

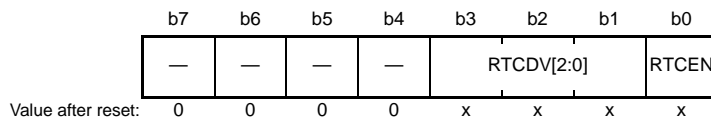
HR24 Bit (Hours Mode)

This bit specifies whether the RTC will operate in 12- or 24-hour mode.

Use the START bit to stop counting by the counters before changing the value of the HR24 bit. Do not stop counting (write 0 to the START bit) and change the value of the HR24 bit at the same time.

26.2.19 RTC Control Register 3 (RCR3)

Address(es): 0008 C426h



Value after reset:

x: Undefined

Bit	Symbol	Bit Name	Description	R/W
b0	RTCEN	Sub-clock Oscillator Control	0: Sub-clock oscillator is stopped. 1: Sub-clock oscillator is operating.	R/W
b3 to b1	RTCDV[2:0]	Sub-clock Oscillator Drive Ability Control	b3 b1 0 0 0: Setting prohibited 0 0 1: Drive ability for low CL 0 1 0: Setting prohibited 0 1 1: Setting prohibited 1 0 0: Setting prohibited 1 0 1: Setting prohibited 1 1 0: Drive ability for standard CL 1 1 1: Setting prohibited	R/W
b7 to b4	—	Reserved	These bits are read as 0. The write value should be 0.	R/W

RTCEN Bit (Sub-clock Oscillator Control)

Running and stopping of the sub-clock oscillator is controlled by the RTCEN bit and a clock generation circuit register. When using the sub-clock as the count source to the RTC, set up the sub-clock oscillator using the RTCEN bit.

RTCDV[2:0] Bits (Sub-clock Oscillator Drive Ability Control)

These bits control the drive ability of the sub-clock oscillator. When connecting a standard CL crystal unit, set these bits to 110b (drive ability for standard CL). When connecting a low CL crystal unit, set these bits to 001b (drive ability for low CL). Set the RTCDV[2:0] bits while the SOSCCR.SOSTP bit is 1 and the RCR3.RTCEN bit is 0.

(1) Notes on using a low CL crystal unit

When the RCR3.RTCDV[2:0] bits are 001b (drive ability for low CL), the oscillator is susceptible to noise. Especially when the signal level of any pin near the XCIN or XCOOUT pin is changed, the oscillation accuracy of the sub-clock oscillator may be affected. The accuracy is affected differently depending on the board traces and how the signal level of any pin near the XCIN or XCOOUT pin is changed. When designing a board using a low CL crystal unit, refer to the application note “Design Guide for Low CL Sub-clock Circuits” (R01AN1187EJ) to reduce the influence from the noise.

The following are examples that may significantly affect oscillation accuracy:

- When connecting an on-chip debugging emulator to the FINED pin

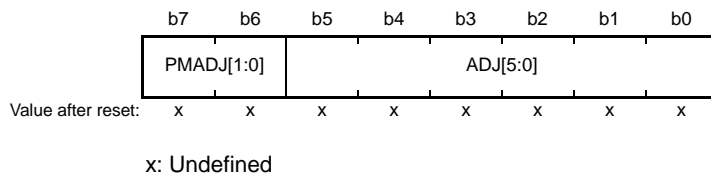
Since the FINED pin (FINE interface pin) is near the XCIN and XCOOUT pins, the oscillation accuracy of the sub-clock oscillator is affected when using the FINED pin during debugging. When using the FINED pin during debugging, keep using the low CL crystal unit and set the RCR3.RTCDV[2:0] bits to 110b (drive ability for standard CL). However, this measure may affect the reliability of the crystal unit. Therefore, use this measure only when using an on-chip debugging emulator. Set the RCR3.RTCDV[2:0] bits to 001b (drive ability for low CL) in mass production programs.

- When supplying an external clock to the main clock oscillator

When inputting an external clock to the EXTAL pin, the oscillation accuracy of the sub-clock oscillator may be affected.

26.2.20 Time Error Adjustment Register (RADJ)

Address(es): 0008 C42Eh



Bit	Symbol	Bit Name	Description	R/W
b5 to b0	ADJ[5:0]	Adjustment Value	These bits specify the adjustment value from the prescaler.	R/W
b7, b6	PMADJ[1:0]	Plus-Minus	b7 b6 0 0: Adjustment is not performed. 0 1: Adjustment is performed by the addition to the prescaler. 1 0: Adjustment is performed by the subtraction from the prescaler. 1 1: Setting prohibited	R/W

Adjustment is performed by the addition to or subtraction from the prescaler.

In case when the automatic adjustment enable (RCR2.AADJE) bit is 0, adjustment is performed when writing to the RADJ.

In case when the RCR2.AADJE bit is 1, adjustment is performed in the interval specified by the automatic adjustment period select (RCR2.AADJP) bit.

The current adjustment by software may be invalid if the following adjustment value is specified within 320 cycles of the count source after the register setting. To perform adjustment consecutively, wait for 320 cycles or more of the count source after the register setting and then specify the next adjustment value.

RADJ is updated in synchronization with the count source. When RADJ is modified, check that all the bits have been updated without fail before continuing with further processing.

This register is cleared to 00h by an RTC software reset.

ADJ[5:0] Bits (Adjustment Value)

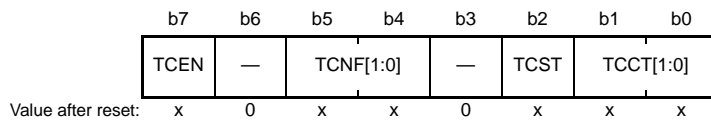
These bits specify the adjustment value (the number of sub-clock cycles) from the prescaler.

PMADJ[1:0] Bits (Plus-Minus)

These bits select whether the clock is set ahead or back depending on the error-adjustment value set in the ADJ[5:0] bits.

26.2.21 Time Capture Control Register y (RTCCRy) (y = 0 to 2)

Address(es): RTCCR0 0008 C440h, RTCCR1 0008 C442h, RTCCR2 0008 C444h



x: Undefined

Bit	Symbol	Bit Name	Description	R/W
b1, b0	TCCT[1:0]	Time Capture Control	b1 b0 0 0: No event is detected. 0 1: Rising edge is detected. 1 0: Falling edge is detected. 1 1: Both edges are detected.	R/W
b2	TCST	Time Capture Status	Indicates that an event has been detected. Writing 0 clears this bit. 0: No event is detected. 1: An event is detected.*1	R/W
b3	—	Reserved	This bit is read as 0. The write value should be 0.	R/W
b5, b4	TCNF[1:0]	Time Capture Noise Filter Control	b5 b4 0 0: The noise filter is off. 0 1: Setting prohibited 1 0: The noise filter is on (count source). 1 1: The noise filter is on (count source of 32-division).	R/W
b6	—	Reserved	This bit is read as 0. The write value should be 0.	R/W
b7	TCEN	Time Capture Event Input Pin Enable	0: The RTCICn pin is invalid as the time capture event input. 1: The RTCICn pin is valid as the time capture event input. (n = 0 to 2)	R/W

Note 1. Writing 1 to this bit has no effect.

RTCCR0, RTCCR1, and RTCCR2 control the RTCIC0, RTCIC1, and RTCIC2 pins, respectively.

RTCCRy is updated in synchronization with the count source. When RTCCRy is modified, check that all the bits except for the TCST bit have been updated without fail before continuing with further processing.

This register is cleared to 00h by an RTC software reset.

TCCT[1:0] Bits (Time Capture Control)

These pins control the edge detection of the time capture event input pins (RTCIC0, RTCIC1, and RTCIC2). The detection edge is selectable. The TCCT[1:0] bits should be set while the TCEN bit is 1.

TCST Bit (Time Capture Status)

This pin indicates that an event of the time capture event input pins (RTCIC0, RTCIC1, and RTCIC2) has been detected. When the TCST bit is 0, no event is detected.

When the TCST bit is 1, this bit indicates that an event of the corresponding pin has been detected and the capture register is valid. When multiple events have been detected, the capture time for the first event is retained.

If an event is detected during the count operation is stopped (the RCR2.START bit is 0), the captured value is not guaranteed. In this case, write 0 to clear the TCST bit for deleting the captured value.

Writing 0 clears the TCST bit. In addition, writing any other value except 0 has no effect.

Clear the TCST bit while the TCCT[1:0] bits are 00b (no event is detected).

The TCST bit is cleared in synchronization with the count source. When the TCST bit is cleared, check that the bit has been updated without fail before continuing with further processing.

TCNF[1:0] Bits (Time Capture Noise Filter Control)

These bits control the noise filter of the time capture event input pins (RTCIC0, RTCIC1, and RTCIC2).

When the noise filter is on, the count source of 1- and 32-division is selectable. In this case, when the input level on the time capture event input pin matches three times at the set sampling period, the input level is determined.

Set the TCNF[1:0] bits while the TCCT[1:0] bits are 00b (no event is detected). When the noise filter is used, set the TCNF[1:0] bits, wait for three cycles of the specified sampling period, and then set the TCCT[1:0] bits. Set the TCNF[1:0] bits when the TCEN bit is 1.

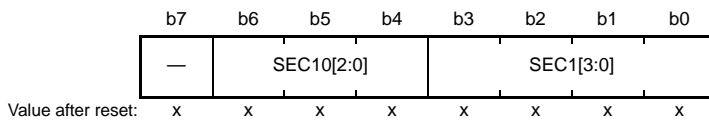
TCEN Bit (Time Capture Event Input Pin Enable)

This bit enables or disables the time capture event input pins (RTCIC0, RTCIC1, and RTCIC2).

When the functions of the time capture event input pins (RTCIC0, RTCIC1, and RTCIC2) are multiplexed, set the port control and enable this bit. In this case, the port control should be set first. If the TCEN bit is set to 0, set also the TCCT[1:0] bits to 00b.

26.2.22 Second Capture Register y (RSECCPy) (y = 0 to 2)

Address(es): RSECCP0 0008 C452h, RSECCP1 0008 C462h, RSECCP2 0008 C472h



x: Undefined

Bit	Symbol	Bit Name	Description	R/W
b3 to b0	SEC1[3:0]	Ones Place of Seconds Captured	Capture value for the ones place of seconds	R
b6 to b4	SEC10[2:0]	Tens Place of Seconds Captured	Capture value for the tens place of seconds	R
b7	—	Reserved	Set this bit to 0. It is read as 0.	R/W

RSECCPy is a readable register that captures the RSECCNT value when a time capture event is detected.

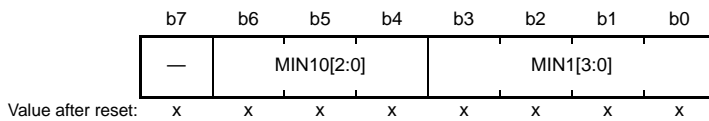
The event detection times detected by the RTCIC0, RTCIC1, and RTCIC2 pins are stored in the RSECCP0, RSECCP1, and RSECCP2 registers, respectively.

This register is cleared to 00h by an RTC software reset.

Before reading from this register, be sure to stop the time capture event detection through the setting of the RTCCRy.TCCT[1:0] bits.

26.2.23 Minute Capture Register y (RMINCPy) (y = 0 to 2)

Address(es): RMINCP0 0008 C454h, RMINCP1 0008 C464h, RMINCP2 0008 C474h



Value after reset: x x x x x x x x

x: Undefined

Bit	Symbol	Bit Name	Description	R/W
b3 to b0	MIN1[3:0]	Ones Place of Minutes Captured	Capture value for the ones place of minutes	R
b6 to b4	MIN10[2:0]	Tens Place of Minutes Captured	Capture value for the tens place of minutes	R
b7	—	Reserved	Set this bit to 0. It is read as 0.	R/W

RMINCPy is a readable register that captures the RMINCNT value when a time capture event is detected.

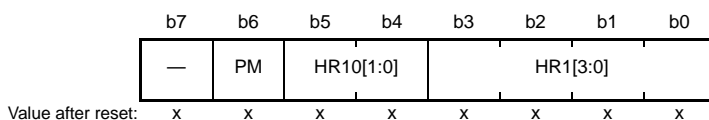
The event detection times detected by the RTCIC0, RTCIC1, and RTCIC2 pins are stored in the RMINCP0, RMINCP1, and RMINCP2 registers, respectively.

This register is cleared to 00h by an RTC software reset.

Before reading from this register, be sure to stop the time capture event detection through the setting of the RTCCRy.TCCT[1:0] bits.

26.2.24 Hour Capture Register y (RHRCPy) (y = 0 to 2)

Address(es): RHRCP0 0008 C456h, RHRCP1 0008 C466h, RHRCP2 0008 C476h



Value after reset: x x x x x x x x

x: Undefined

Bit	Symbol	Bit Name	Description	R/W
b3 to b0	HR1[3:0]	Ones Place of Hours Captured	Capture value for the ones place of hours	R
b5, b4	HR10[1:0]	Tens Place of Hours Captured	Capture value for the tens place of hours	R
b6	PM	PM	0: a.m. 1: p.m.	R
b7	—	Reserved	Set this bit to 0. It is read as 0.	R/W

RHRCPy is a readable register that captures the RHRCNT value when a time capture event is detected.

The event detection times detected by the RTCIC0, RTCIC1, and RTCIC2 pins are stored in the RHRCP0, RHRCP1, and RHRCP2 registers, respectively.

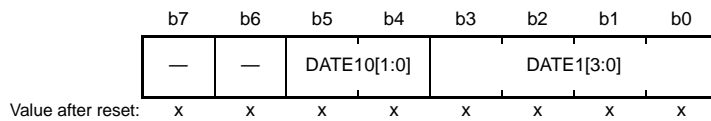
The PM bit is only enabled when the RCR2.HR24 bit is 0 (in 12-hour mode).

This register is cleared to 00h by an RTC software reset.

Before reading from this register, be sure to stop the time capture event detection through the setting of the RTCCRy.TCCT[1:0] bits.

26.2.25 Date Capture Register y (RDAYCPy) (y = 0 to 2)

Address(es): RDAYCP0 0008 C45Ah, RDAYCP1 0008 C46Ah, RDAYCP2 0008 C47Ah



Value after reset:

x: Undefined

Bit	Symbol	Bit Name	Description	R/W
b3 to b0	DATE1[3:0]	Ones Place of Days Captured	Capture value for the ones place of days	R
b5, b4	DATE10[1:0]	Tens Place of Days Captured	Capture value for the tens place of days	R
b7, b6	—	Reserved	Set these bits to 0. They are read as 0.	R/W

RDAYCPy is a readable register that captures the RDAYCNT value when a time capture event is detected.

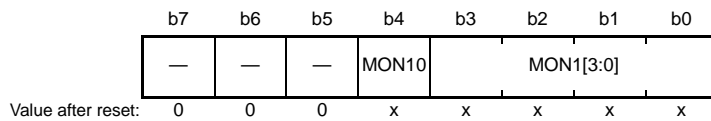
The event detection times detected by the RTCIC0, RTCIC1, and RTCIC2 pins are stored in the RDAYCP0, RDAYCP1, and RDAYCP2 registers, respectively.

This register is cleared to 00h by an RTC software reset.

Before reading from this register, be sure to stop the time capture event detection through the setting of the RTCCRy.TCCT[1:0] bits.

26.2.26 Month Capture Register y (RMONCPy) (y = 0 to 2)

Address(es): RMONCP0 0008 C45Ch, RMONCP1 0008 C46Ch, RMONCP2 0008 C47Ch



x: Undefined

Bit	Symbol	Bit Name	Description	R/W
b3 to b0	MON1[3:0]	Ones Place of Months Captured	Capture value for the ones place of months	R
b4	MON10	Tens Place of Months Captured	Capture value for the tens place of months	R
b7 to b5	—	Reserved	These bits are read as 0. Writing to these bits has no effect.	R

RMONCPy is a readable register that captures the RMONCNT value when a time capture event is detected. The event detection times detected by the RTCIC0, RTCIC1, and RTCIC2 pins are stored in the RMONCP0, RMONCP1, and RMONCP2 registers, respectively. This register is cleared to 00h by an RTC software reset. Before reading from this register, be sure to stop the time capture event detection through the setting of the RTCCRy.TCCT[1:0] bits.

26.3 Operation

26.3.1 Outline of Initial Settings of Registers after Power-On

After the power is turned on, the initial settings for the clock setting, time error adjustment, time setting, alarm, interrupt, and time capture control register should be performed.

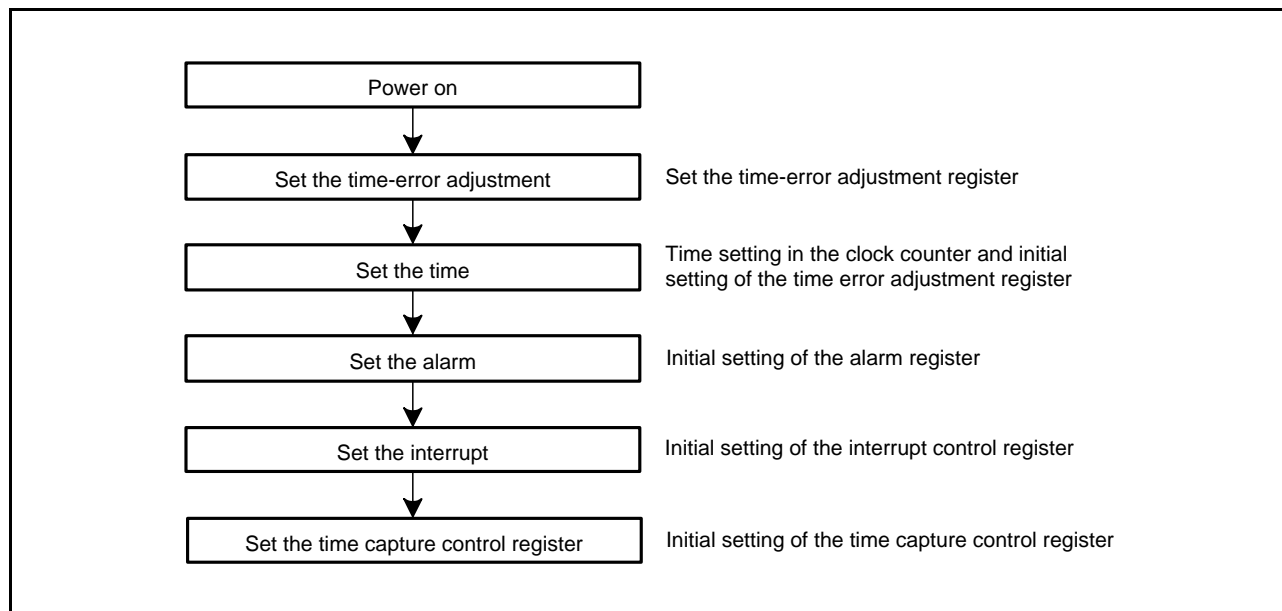


Figure 26.2 Outline of Initial Settings after Power-On

26.3.2 Clock Setting Procedure

Figure 26.3 shows how to set the clock.

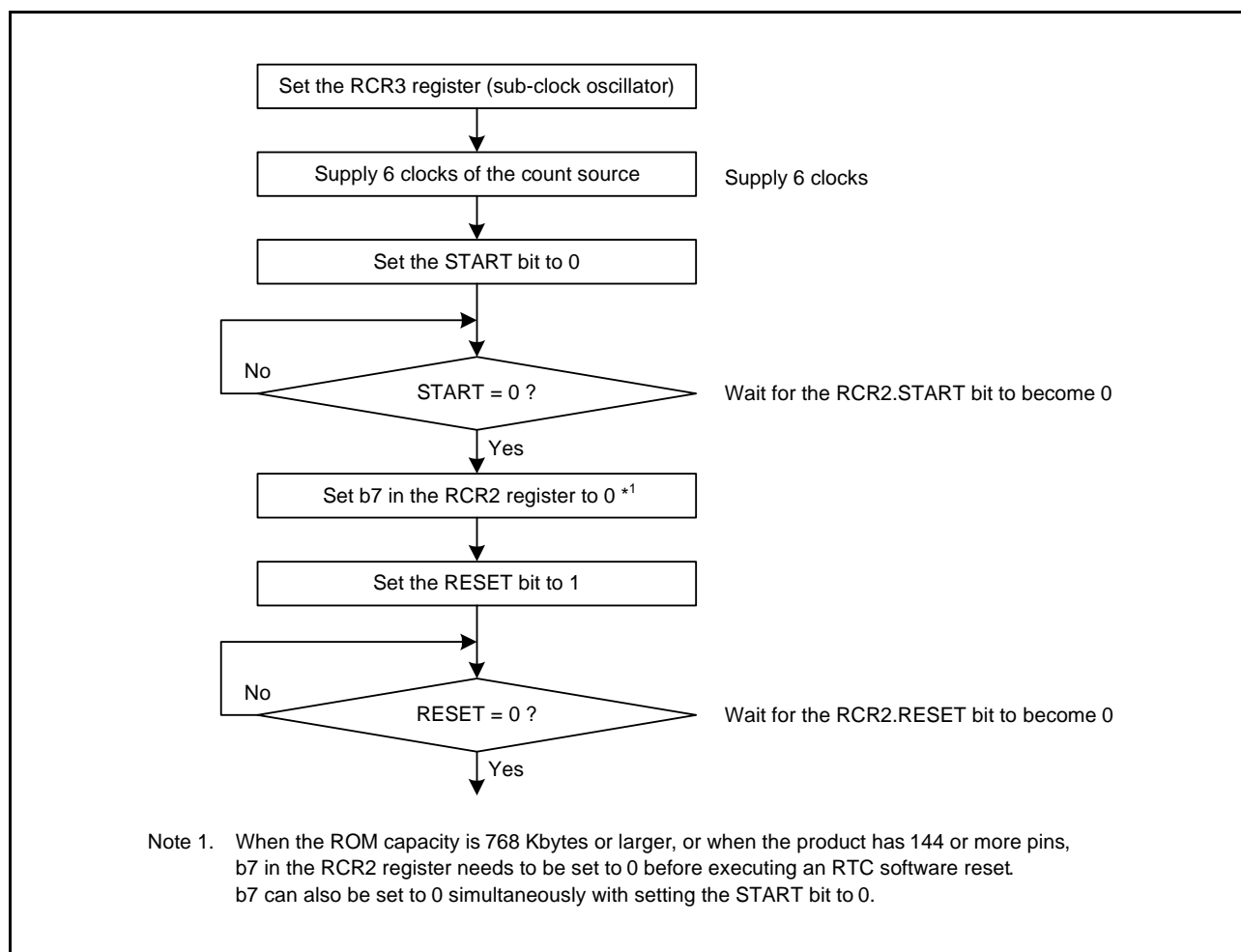


Figure 26.3 Clock Setting Procedure

26.3.3 Setting the Time

Figure 26.4 shows how to set the time.

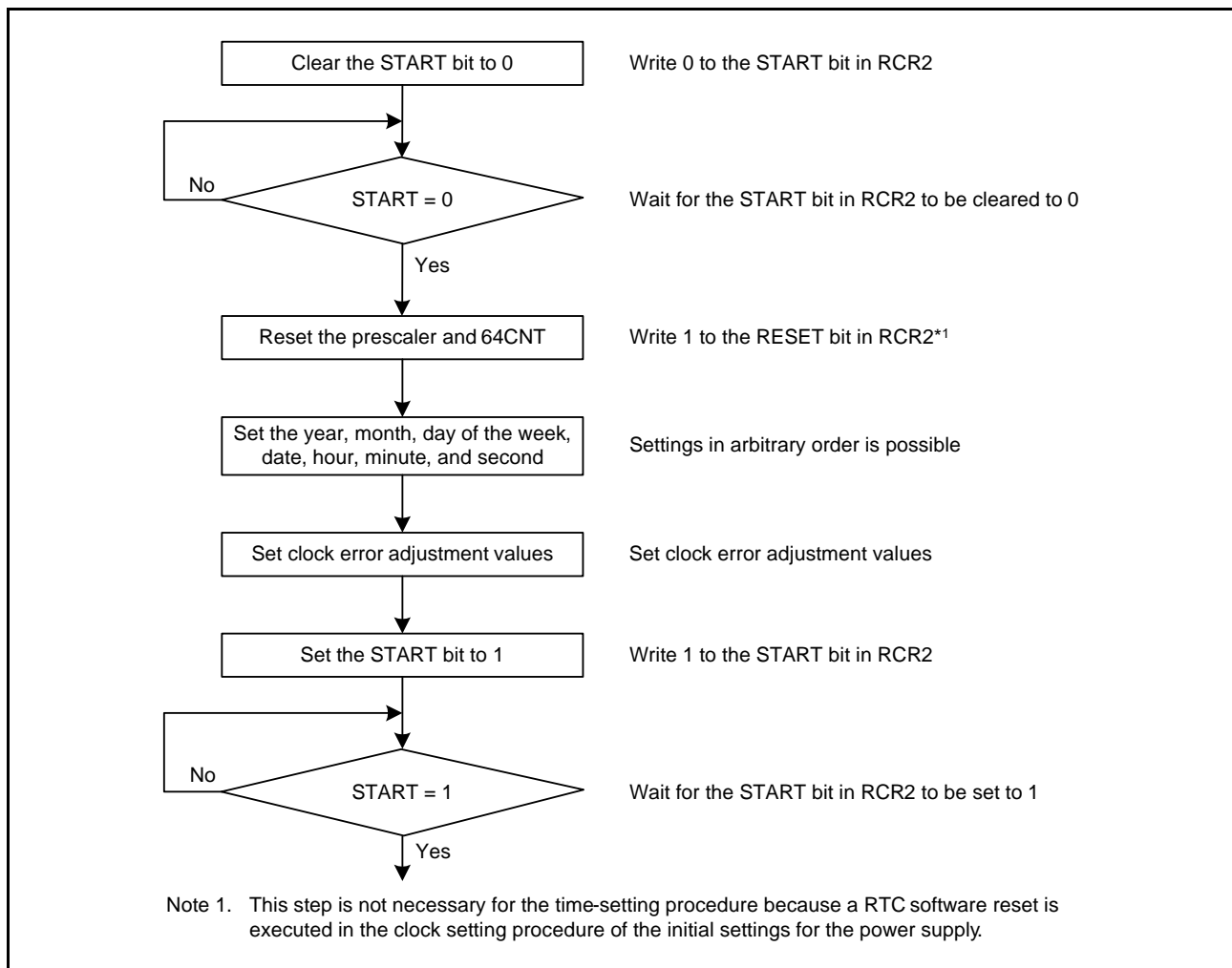


Figure 26.4 Setting the Time

26.3.4 30-Second Adjustment

Figure 26.5 shows how to execute 30-second adjustment.

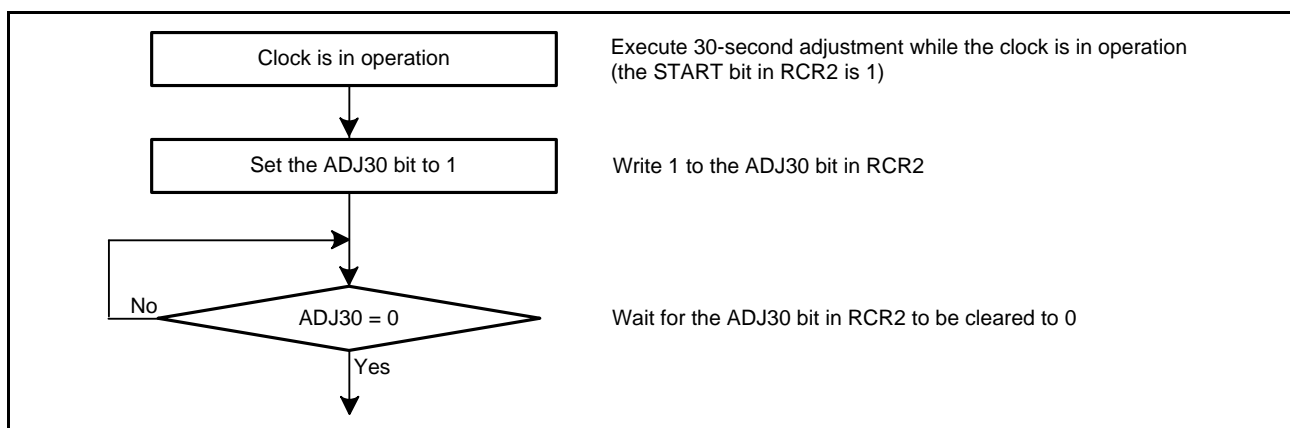


Figure 26.5 30-Second Adjustment

26.3.5 Reading 64-Hz Counter and Time

Figure 26.6 shows how to read the 64-Hz counter and time.

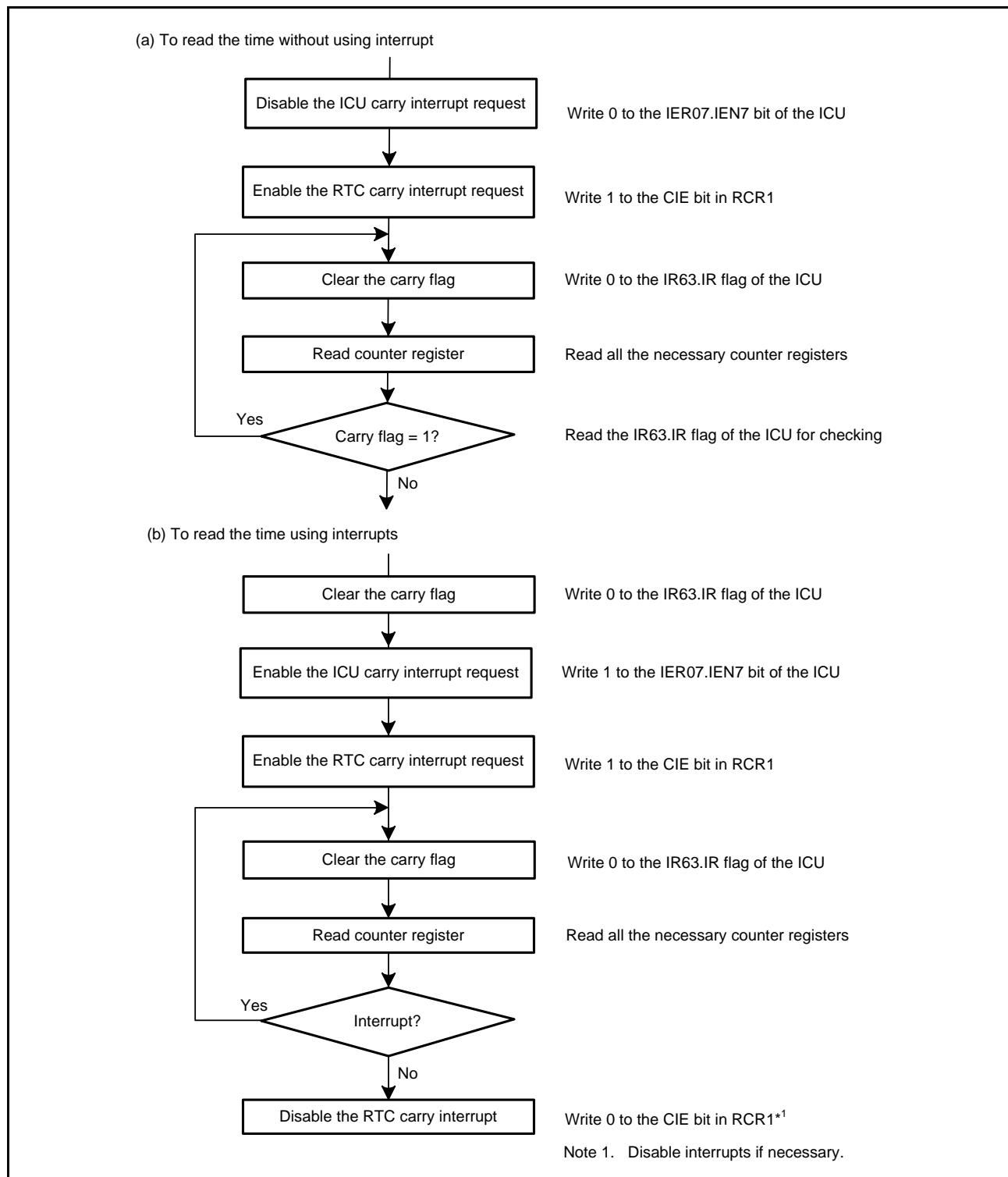


Figure 26.6 Reading Time

If a carry occurs while the 64-Hz counter and time are being read, the correct time will not be obtained, so they must be read again. The procedure for reading the time without using interrupts is shown in (a) in Figure 26.6, and the procedure using carry interrupts in (b). To keep the program simple, method (a) should be used in most cases.

26.3.6 Alarm Function

Figure 26.7 shows how to use the alarm function.

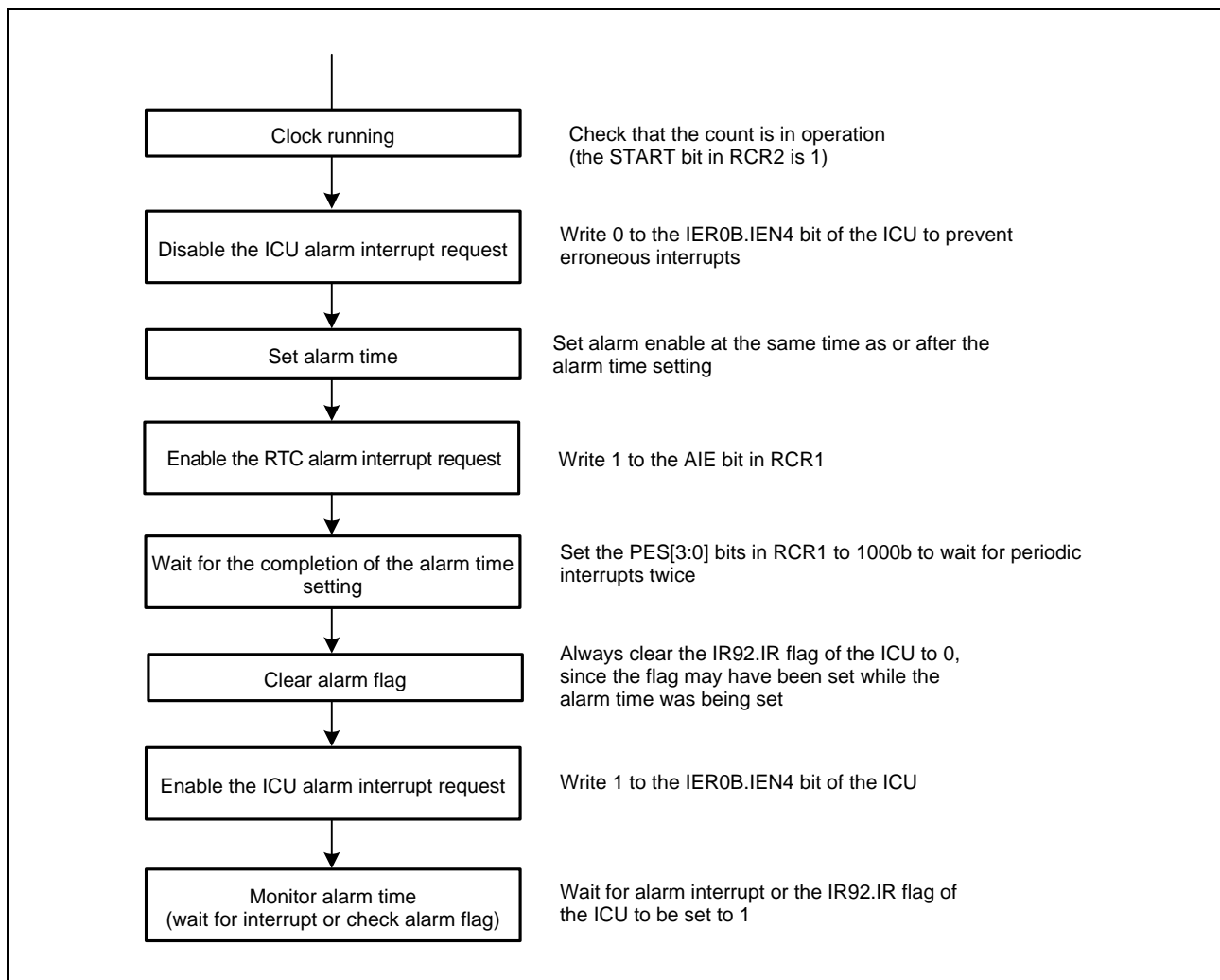


Figure 26.7 Using Alarm Function

An alarm can be generated by the year, month, date, day-of-week, hour, minute, or second value, or a combination of these. Write 1 to the ENB bit in the alarm registers involved in the alarm setting, and set the alarm time in the lower bits. Write 0 to the ENB bit in registers not involved in the alarm setting.

When the counter and the alarm time match, the IR92.IR flag of the ICU is set to 1. Alarm detection can be confirmed by reading this bit, but an interrupt should be used in most cases. If 1 has been set in the IER0B.IEN4 bit of the ICU, an alarm interrupt is generated in the event of alarm, enabling the alarm to be detected.

Writing 0 clears the IR92.IR flag of the ICU.

When the counter and the alarm time match in a low power consumption state, this LSI returns from the low power consumption state.

26.3.7 Procedure for Disabling Alarm Interrupt

Figure 26.8 shows the procedure for disabling the enabled alarm interrupt request.

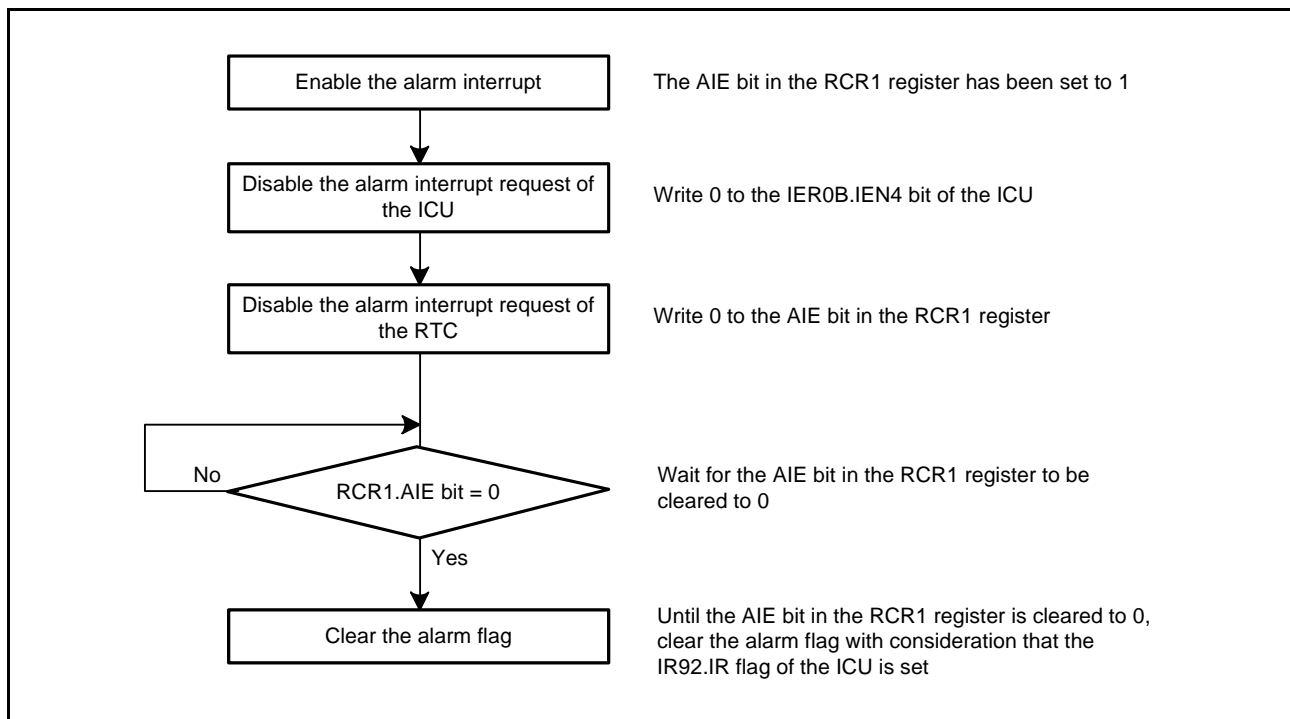


Figure 26.8 Procedure for Disabling Alarm Interrupt Request

26.3.8 Time Error Adjustment Function

The time-error adjustment function is used to correct errors (running fast or slow) in the time due to the precision of oscillation by the sub-clock. Since 32,768 cycles of the sub-clock constitute one second of operation, the clock runs fast if the sub-clock frequency is high and slow if the sub-clock frequency is low. This function can be used to correct errors due to the clock running fast or slow.

Two types of time-error adjustment functions are provided: automatic adjustment and adjustment by software. Use the RCR2.AADJE bit to select automatic adjustment or adjustment by software.

26.3.8.1 Automatic Adjustment

Enable automatic adjustment by setting the AADJE bit in RCR2 to 1.

Automatic adjustment is the addition or subtraction of the value counted by the prescaler to or from the value in the RADJ register every time the adjustment period selected by the AADJP bit in RCR2 elapses.

Examples are shown below.

[Example 1] Sub-clock running at 32.769 kHz

Adjustment procedure:

When the sub-clock is running at 32.769 kHz, one second elapses every 32,769 clock cycles. The RTC is meant to run at 32,768 clock cycles, so the clock runs fast by one clock cycle every second. The time on the clock is fast by 60 clock cycles per minute, so adjustment can take the form of setting the clock back by 60 cycles every minute.

Register settings:

- RCR2.AADJP = 0 (adjustment every minute)
- RADJ.PMADJ[1:0] = 10b (subtraction)
- RADJ.ADJ[5:0] = 60 (3Ch)

[Example 2] Sub-clock running at 32.766 kHz

Adjustment procedure:

When the sub-clock is running at 32.766 kHz, one second elapses every 32,766 clock cycles. The RTC is meant to run at 32,768 clock cycles, so the clock runs slow by two clock cycles every second. The time on the clock is slow by 20 clock cycles every ten seconds, so adjustment can take the form of setting the clock forward by 20 cycles every ten seconds.

Register settings:

- RCR2.AADJP = 1 (adjustment every 10 seconds)
- RADJ.PMADJ[1:0] = 01b (addition)
- RADJ.ADJ[5:0] = 20 (14h)

26.3.8.2 Adjustment by Software

Enable adjustment by software by setting the AADJE bit in RCR2 to 0.

Adjustment by software is the addition or subtraction of the value counted by the prescaler to or from the value in the RADJ register at the time of execution of an instruction for writing to the RADJ register.

An example is shown below.

[Example 1] Sub-clock running at 32.769 kHz

Adjustment procedure:

When the sub-clock is running at 32.769 kHz, one second elapses every 32,769 clock cycles. The RTC is meant to run at 32,768 clock cycles, so the clock runs fast by one clock cycle every second. The time on the clock is fast by one clock cycle per second, so adjustment can take the form of setting the clock back by one cycle every second.

Register settings:

- RADJ.PMADJ[1:0] = 10b (subtraction)
 - RADJ.ADJ[5:0] = 1 (01h)
- This is written to the RADJ register once per 1-second interrupt.

26.3.8.3 Procedure for Changing the Mode of Adjustment

When changing the mode of adjustment, change the value of the AADJE bit in RCR2 after clearing the PMADJ[1:0] bits in RADJ to 00b (no adjustment).

Changing from adjustment by software to automatic adjustment:

- (1) Clear the PMADJ[1:0] bits in RADJ to 00b (no adjustment).
- (2) Set the AADJE bit in RCR2 to 1 (enabling automatic adjustment).
- (3) Use the AADJP bit in RCR2 to select the period of adjustment.
- (4) In RADJ, set the PMADJ[1:0] bits for addition or subtraction and the ADJ[5:0] bits to the value for use in time-error adjustment.

Changing from adjustment by software to automatic adjustment:

- (1) Clear the PMADJ[1:0] bits in RADJ to 00b (no adjustment).
- (2) Set the AADJE bit in RCR2 to 0 (enabling adjustment by software).
- (3) Proceed with adjustment by setting the RADJ.PMADJ[1:0] bits for addition or subtraction and the RADJ.ADJ[5:0] bits to the value for use in time-error adjustment at the desired time. After that, the time is adjusted every time a value is written to RADJ.

26.3.8.4 Procedure for Stopping Adjustment

Stop adjustment by clearing the PMADJ[1:0] bits in RADJ to 00b (no adjustment).

26.3.8.5 Capturing the Time

The RTC is capable of storing the month, date, hour, minute and second by detecting an edge of a signal on a time-capture event-input pin.

A noise filter can also be used on a time-capture event-input pin. When the level on the pin matches three times at the set sampling period, the noise filter conveys the level to the RTC's internal circuits, and this level is retained within the RTC until the level on the target pin for sampling has again matched three times.

The noise filter can be switched on or off for each of the time-capture event-input pins.

Operation when the noise filter is off is shown in Figure 26.9 and operation when the noise filter is on is shown in Figure 26.10.

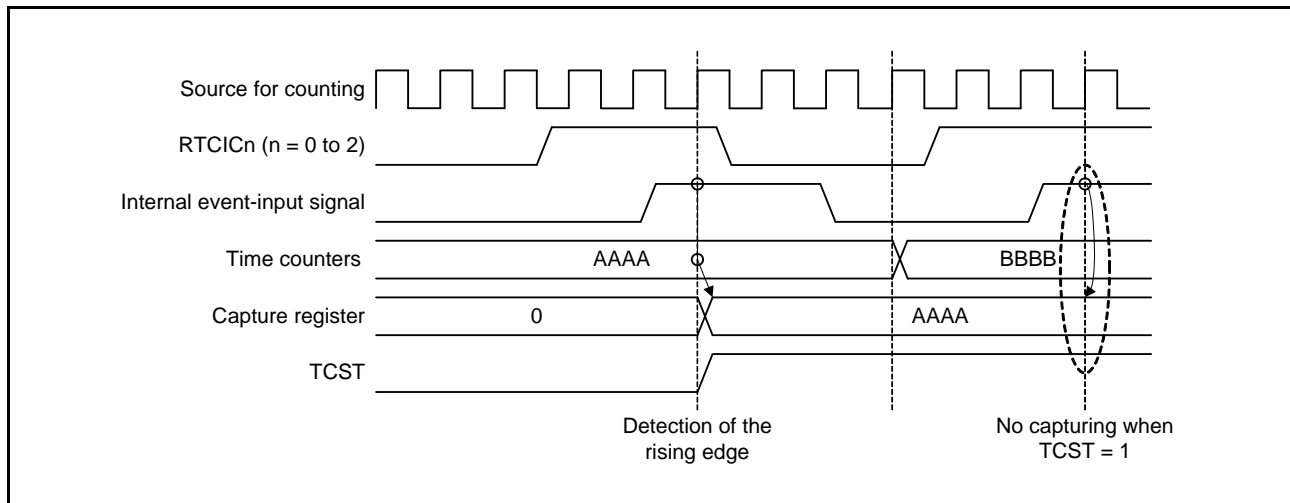


Figure 26.9 Timing of a Time-Capture Operation (with the Filter Off)

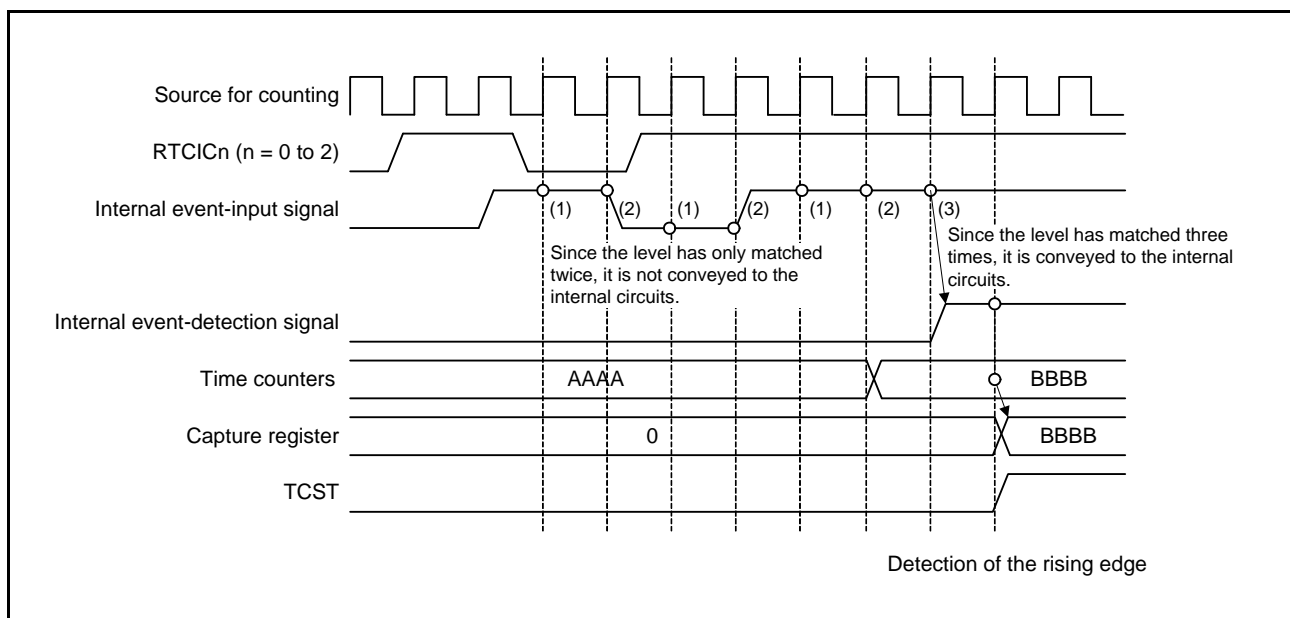


Figure 26.10 Timing of a Time-Capture Operation (with the Filter On)

26.4 Interrupt Sources

There are three interrupt sources in the realtime clock. Table 26.3 lists interrupt sources for the RTC.

Table 26.3 RTC Interrupt Sources

Name	Interrupt Sources
ALM	Alarm interrupt
PRD	Periodic interrupt
CUP	Carry interrupt

(1) Alarm interrupt (ALM)

This interrupt is generated according to the result of comparison between the alarm registers and realtime clock counters (for details, refer to the description of each alarm register).

Since there is a possibility of the interrupt flag being set when the settings of the alarm registers match the clock counters, clear the IR flag in IR92 for the interrupt after modifying values of the alarm registers. Once the interrupt flag for the alarm interrupt has been cleared and the state has returned to non-matching of the alarm registers and clock counters, the flag will not be set again until there is a further match or the values of the alarm registers are modified again.

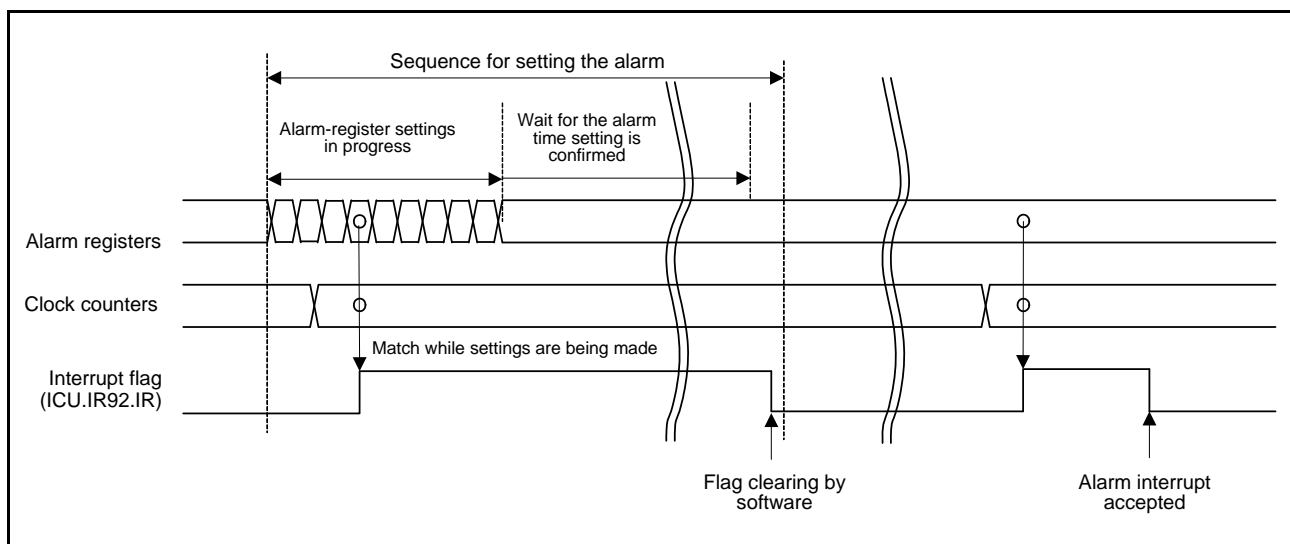


Figure 26.11 Timing Chart for the Alarm Interrupt (ALM)

(2) Periodic interrupt (PRD)

This interrupt is generated at intervals of 2 seconds, 1 second, 1/2 second, 1/4 second, 1/8 second, 1/16 second, 1/32 second, 1/64 second, 1/128 second, or 1/256 second. The interrupt interval can be selected through the RCR1.PES[3:0] bits.

(3) Carry interrupt (CUP)

This interrupt is generated when a carry to the second counter occurred or a carry to the R64CNT counter occurred during read access to the 64-Hz counter.

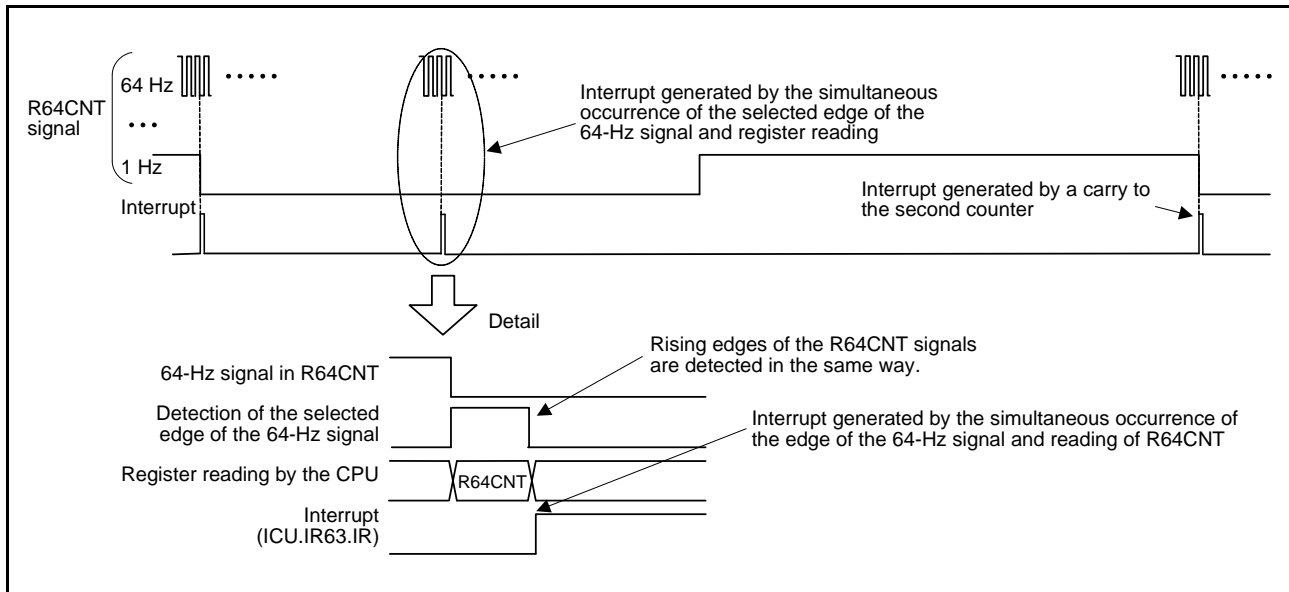


Figure 26.12 Carry Interrupt (CUP) Timing Chart

26.5 Event Link Output

The RTC outputs the following event signals for the event link controller (ELC), and these can be used to initiate operations by other modules selected in advance.

(1) Periodic event output

The periodic event signal is output at the interval selected from among 1/256 s, 1/128 s, 1/64 s, 1/32 s, 1/16 s, 1/8 s, 1/4 s, 1/2 s, 1 s, and 2 s by the setting of the RCR1.PES[3:0] bits.

Note: • If event linking from the RTC is to be used, only make the ELC settings after making the RTC settings (initialization, time settings, etc.). Making the RTC settings after the ELC settings can lead to the output of unexpected event signals.

26.5.1 Interrupt Handling and Event Linking

The interrupt produced by the RTC (periodic interrupt) has an enable bit to control enabling and disabling of the interrupt signal. An interrupt-request signal is output for the CPU when an interrupt-source condition is satisfied while the setting of the corresponding enable bit is “enabled”.

The corresponding event link output signals are sent to other modules as event signals via the ELC when the interrupt-source conditions are satisfied, regardless of the settings of the interrupt enable bits.

Note: • Although alarm and periodic interrupts can still be output during periods on software standby or deep software standby, output of the periodic event signals for the ELC is not possible.

26.6 Usage Notes

26.6.1 Register Writing during Counting

The following registers should not be written to during counting (while the RCR2.START bit = 1).

RSECCNT, RMINCNT, RHRCNT, RDAYCNT, RWKCNT, RMONCNT, RYRCNT, RCR2.RTCOE, RCR2.HR24

The counter must be stopped before writing to any of the above registers.

26.6.2 Use of Periodic Interrupts

The procedure for using periodic interrupts is shown in Figure 26.13.

The generation and period of the periodic interrupt can be changed by the setting of the PES[3:0] bits in RCR1. However, since the prescaler, R64CNT, and RSECCNT are used to generate interrupts, the interrupt period is not guaranteed immediately after setting of the PES[3:0] bits in RCR1.

Furthermore, stopping/restarting or resetting counter operation, reset by RTC software, and the 30-second adjustment by changing the RCR2 value affects the interrupt period. When the time-error adjustment function is used, the interrupt generation period after adjustment is added or subtracted according to the adjustment value.

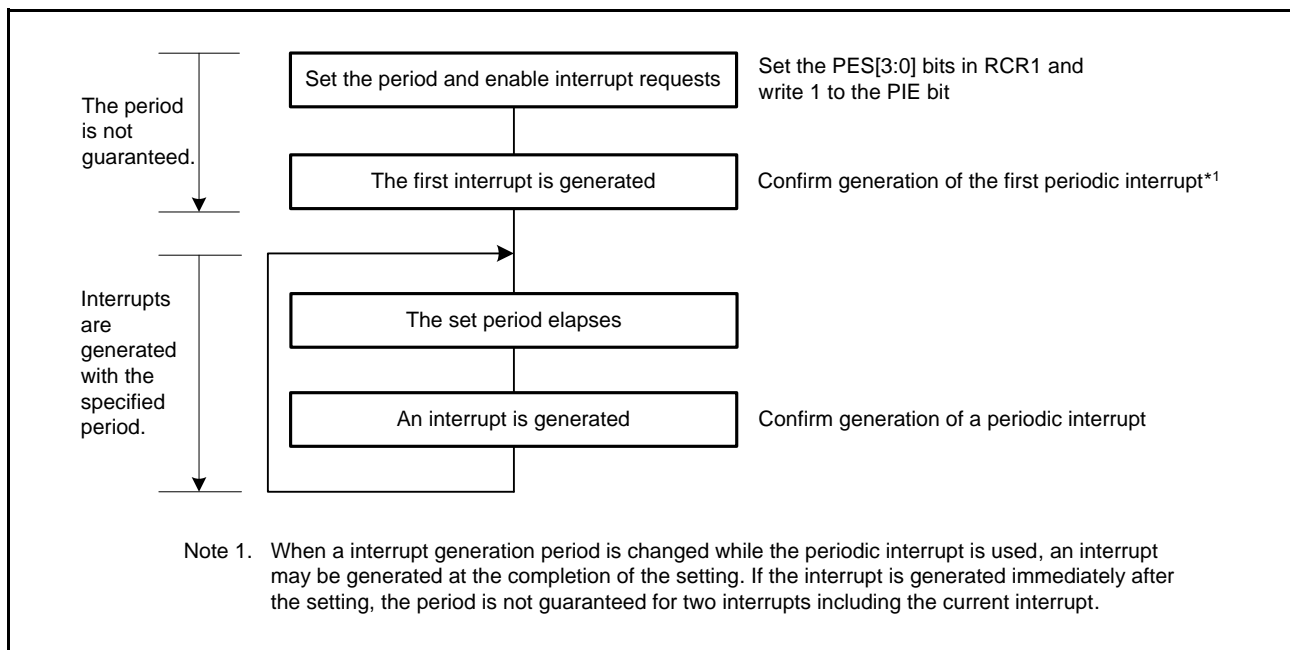


Figure 26.13 Using Periodic Interrupt Function

26.6.3 RTCOUT (1-Hz) Clock Output

Stopping/restarting or resetting counter operation, reset by RTC software, and the 30-second adjustment by changing the RCR2 value affects the period of RTCOUT (1-Hz) output. When the time-error adjustment function is used, the period of RTCOUT (1-Hz) output after adjustment is added or subtracted according to the adjustment value.

26.6.4 Transitions to Low Power Consumption Modes after Setting Registers

A transition to a low power consumption state (software standby mode or deep software standby mode) during writing to or updating of an RTC register might destroy the register's value. After setting a register, confirm that the setting is in place before initiating a transition to a low power consumption state.

26.6.5 Points for Caution when Writing to and Reading from Registers

- When reading a counter register such as the second counter after having written to the counter register, follow the procedure in section 26.3.5, Reading 64-Hz Counter and Time.
- When reading the count registers, alarm registers, year alarm enable register, bits RCR2.AADJE, AADJP, and HR24, or RCR3 register after having written to the registers, perform three dummy read operations to ensure that the written value has been reflected in the register.
- When reading the RCR1.CIE and RCR2.RTCOE bits after having written to the register, the written value can be read.
- To read the value from the timer counter after return from a reset, or period in software standby mode or deep software standby, wait for 1/128 second while the clock is operating (the RCR2.START bit = 1).

27. Watchdog Timer (WDTA)

The watchdog timer (WDT) detects programs being out of control.

The WDT has a 14-bit down-counter, and can be set up so that the chip is reset by a reset output when counting down from the initial value causes an underflow of the counter. Alternatively, generation of an interrupt request is selectable when the counter underflows. The initial value for counting can be restored to the down-counter by refreshing its value. The interval over which refreshing is possible can also be selected. Refreshing the counter during this interval will restore its initial value for counting, while attempting to refresh the counter beyond this interval leads to the output of a reset or interrupt request. The refresh interval can be adjusted and used to detect the program entering runaway conditions. The WDT stops counting after an underflow or an attempt at refreshing the counter beyond the allowed interval. Counting is restarted by refreshing the counter when the WDT is in register start mode. When the WDT is in auto-start mode, counting is restarted automatically after output of the reset or interrupt request.

27.1 Overview

The WDT has two start modes: auto-start mode, in which counting automatically starts after release from the reset state, and register start mode, in which counting is started by refreshing the WDT (writing to the register).

In auto-start mode, necessary settings (clock division ratio, refresh window start and end positions, time-out period, reset or non-maskable interrupt request output at an underflow) should be made in option function select register 0 (OFS0) before release from the reset state.

In register start mode, necessary settings (clock division ratio, refresh window start and end positions, time-out period, reset or non-maskable interrupt request output at an underflow) should be made in the respective registers before the counter is started by refreshing after release from the reset state.

Set the WDT start mode select bit (OFS0.WDTSTRT bit) to select auto-start mode or register start mode.

When auto-start mode is selected (OFS0.WDTSTRT = 0), the WDT control register (WDTCR), and WDT reset control register (WDTRCR) settings are disabled and the settings of option function select register 0 (OFS0) are enabled.

When register start mode is selected (OFS0.WDTSTRT = 1), the settings of option function select register 0 (OFS0) are disabled and the WDTCR and WDTRCR settings are enabled.

Specifications of the WDT are listed in Table 27.1. Figure 27.1 is a block diagram of the WDT.

Table 27.1 Specifications of WDT

Item	Description
Count source	Peripheral clock (PCLK)
Clock division ratio	Divide by 4, 64, 128, 512, 2,048, or 8,192
Counter operation	Counting down using a 14-bit down-counter
Conditions for starting the counter	<ul style="list-style-type: none"> Counting automatically starts after a reset (auto-start mode) Counting is started by refreshing the WDTRR register (writing 00h and then FFh) (register start mode)
Conditions for stopping the counter	<ul style="list-style-type: none"> Reset generated by the RES# pin (the down-counter and registers return to their initial values) A counter underflows or a refresh error is generated Count restarts (Auto-start mode: Count restarts automatically after a reset or non-maskable interrupt request is issued. Register start mode: Count restarts after refreshing the counter)
Window function	Window start and end positions can be specified (refresh-permitted and refresh-prohibited periods)
Reset-output sources	<ul style="list-style-type: none"> Down-counter underflows Refreshing outside the refresh-permitted period (refresh error)
Interrupt request output sources	<ul style="list-style-type: none"> A non-maskable interrupt (WUNI) is generated by an underflow of the down-counter Refreshing outside the refresh-permitted period (refresh error)
Reading the counter value	The down-counter value can be read by the WDTSR register.
Output signal (internal signal)	<ul style="list-style-type: none"> Reset output Interrupt request output
Auto-start mode (controlled by option function select register 0 (OFS0))	<ul style="list-style-type: none"> Selecting the clock frequency division ratio after a reset (OFS0.WDTCKS[3:0] bits) Selecting the time-out period of the watchdog timer (OFS0.WDTPPS[1:0] bits) Selecting the window start position in the watchdog timer (OFS0.WDTRPSS[1:0] bits) Selecting the window end position in the watchdog timer (OFS0.WDTRPES[1:0] bits) Selecting the reset output or interrupt request output (OFS0.WDTRSTIRQS bit)
Register start mode (controlled by the WDT registers)	<ul style="list-style-type: none"> Selecting the clock frequency division ratio after refreshing (WDTCR.CKS[3:0] bits) Selecting the time-out period of the watchdog timer (WDTCR.TOPS[1:0] bits) Selecting the window start position in the watchdog timer (WDTCR.RPSS[1:0] bits) Selecting the window end position in the watchdog timer (WDTCR.RPES[1:0] bits) Selecting the reset output or interrupt request output (WDTRCR.RSTIRQS bit)

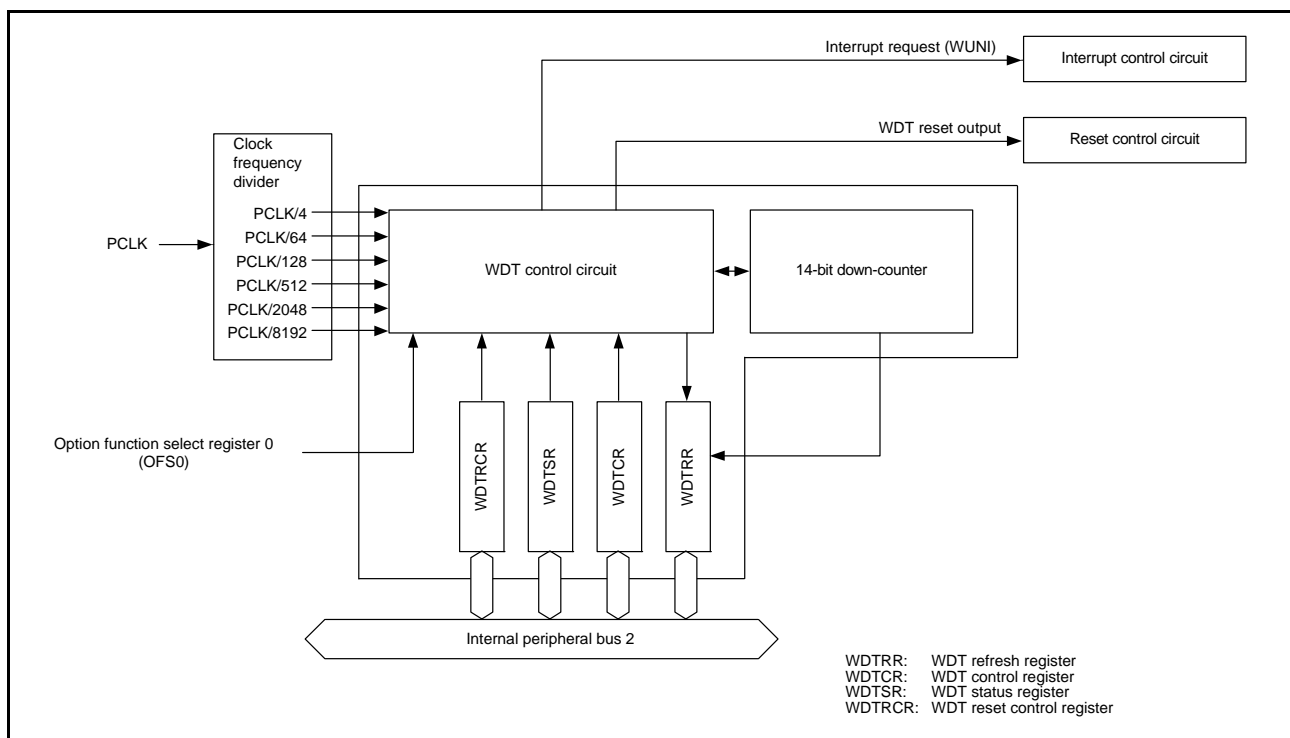
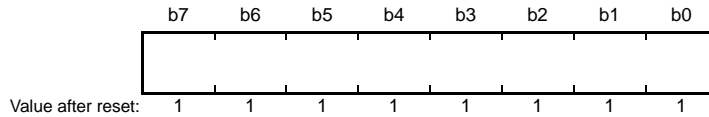


Figure 27.1 Block Diagram of WDT

27.2 Register Descriptions

27.2.1 WDT Refresh Register (WDTRR)

Address(es): 0008 8020h



Bit	Description	R/W
b7 to b0	The down-counter is refreshed by writing 00h and then writing FFh to this register	R/W

WDTRR refreshes the down-counter of the WDT.

The down-counter of the WDT is refreshed by writing 00h and then writing FFh to WDTRR (refresh operation) within the refresh-permitted period.

After the down-counter has been refreshed, it starts counting down from the value selected by setting the WDT time-out period selection (OFS0.WDTPS[1:0]) bits in option function select register 0 (OFS0) in auto-start mode. In register start mode, counting down starts from the value selected by setting the time-out period selection (WDTCR.TOPS[1:0]) bits in the WDT control register by the first refresh operation after release from the reset state.

When 00h is written, the read value is 00h, when a value other than 00h is written, the read value is FFh.

For details of the refresh operation, refer to section 27.3.3, Refresh Operation.

27.2.2 WDT Control Register (WDTCR)

Address(es): 0008 8022h

b15	b14	b13	b12	b11	b10	b9	b8	b7	b6	b5	b4	b3	b2	b1	b0
—	—	RPSS[1:0]	—	—	RPES[1:0]	CKS[3:0]			—	—	TOPS[1:0]				
0	0	1	1	0	0	1	1	1	1	1	1	0	0	1	1

Value after reset:

Bit	Symbol	Bit Name	Description	R/W
b1, b0	TOPS[1:0]	Time-Out Period Selection	b1 b0 0 0: 1,024 cycles (03FFh) 0 1: 4,096 cycles (0FFFh) 1 0: 8,192 cycles (1FFFh) 1 1: 16,384 cycles (3FFFh)	R/W
b3, b2	—	Reserved	These bits are read as 0. Writing to these bits has no effect.	R
b7 to b4	CKS[3:0]	Clock Division Ratio Selection	b7 b4 0 0 0 1: PCLK/4 0 1 0 0: PCLK/64 1 1 1 1: PCLK/128 0 1 1 0: PCLK/512 0 1 1 1: PCLK/2048 1 0 0 0: PCLK/8192 Other settings are prohibited.	R/W
b9, b8	RPES[1:0]	Window End Position Selection	b9 b8 0 0: 75% 0 1: 50% 1 0: 25% 1 1: 0% (window end position is not specified)	R/W
b11, b10	—	Reserved	These bits are read as 0. Writing to these bits has no effect.	R
b13, b12	RPSS[1:0]	Window Start Position Selection	b13 b12 0 0: 25% 0 1: 50% 1 0: 75% 1 1: 100% (window start position is not specified)	R/W
b15, b14	—	Reserved	These bits are read as 0. Writing to these bits has no effect.	R

There are some restrictions on writing to the WDTCR register. For details, refer to section 27.3.2, Control over Writing to the WDTCR and WDTRCR Registers.

In auto-start mode, the settings in the WDTCR register are disabled, and the settings in option function select register 0 (OFS0) are enabled. The bit setting made to the WDTCR register can also be made in option function select register 0 (OFS0). For details, refer to section 27.3.8, Correspondence between Option Function Select Register 0 (OFS0) and WDT Registers.

TOPS[1:0] Bits (Time-Out Period Selection)

The TOPS[1:0] bits select the time-out period (period until the down-counter underflows) from among 1,024, 4,096, 8,192, and 16,384 cycles, taking the divided clock specified by the CKS[3:0] bits as one cycle.

After the down-counter is refreshed, the combination of the CKS[3:0] and TOPS[1:0] bits determines the time (number of PCLK cycles) until the counter underflows.

Relations between the CKS[3:0] and TOPS[1:0] bit setting, the time-out period, and the number of PCLK cycles are listed in Table 27.2.

Table 27.2 Time-Out Periods Setting

CKS[3:0] Bits				TOPS[1:0] Bits		Clock Division Ratio	Time-Out Period (Number of Cycles)	Cycles of PCLK Clock
b7	b6	b5	b4	b1	b0			
0	0	0	1	0	0	PCLK/4	1024	4096
				0	1		4096	16384
				1	0		8192	32768
				1	1		16384	65536
0	1	0	0	0	0	PCLK/64	1024	65536
				0	1		4096	262144
				1	0		8192	524288
				1	1		16384	1048576
1	1	1	1	0	0	PCLK/128	1024	131072
				0	1		4096	524288
				1	0		8192	1048576
				1	1		16384	2097152
0	1	1	0	0	0	PCLK/512	1024	524288
				0	1		4096	2097152
				1	0		8192	4194304
				1	1		16384	8388608
0	1	1	1	0	0	PCLK/2048	1024	2097152
				0	1		4096	8388608
				1	0		8192	16777216
				1	1		16384	33554432
1	0	0	0	0	0	PCLK/8192	1024	8388608
				0	1		4096	33554432
				1	0		8192	67108864
				1	1		16384	134217728

CKS[3:0] Bits (Clock Division Ratio Selection)

These bits select the peripheral clock (PCLK) division ratio from among division by 4, 64, 128, 512, 2,048, and 8192.

Combined with the TOPS[1:0] bit setting, a count period between 4,096 and 134, 217, 728 cycles of the PCLK clock can be selected for the WDT.

RPES[1:0] Bits (Window End Position Selection)

These bits select 75%, 50%, 25%, or 0% of the count period for the window end position of the down-counter. The window end position should be a value smaller than the window start position (window start position > window end position). If the window end position is greater than the window start position, only the window start position setting is enabled.

The counter values for the window start and end positions selected by setting the RPSS[1:0] and RPES[1:0] bits change on the TOPS[1:0] bit setting.

Table 27.3 lists the counter values for the window start and end positions corresponding to the TOPS[1:0] bit values.

Table 27.3 Correspondence between Time-Out Period and Window Start and End Counter Values

TOPS[1:0] Bits		Time-Out Period		Window Start and End Counter Value			
		Cycles	Counter Value	100%	75%	50%	25%
0	0	1024	03FFh	03FFh	02FFh	01FFh	00FFh
0	1	4096	0FFFh	0FFFh	0BFFh	07FFh	03FFh
1	0	8192	1FFFh	1FFFh	17FFh	0FFFh	07FFh
1	1	16384	3FFFh	3FFFh	2FFFh	1FFFh	0FFFh

RPSS[1:0] Bits (Window Start Position Selection)

These bits select 100%, 75%, 50%, or 25% of the count period for the window start position of the down-counter (100% when the count starts and 0% when the counter underflows). The interval between the window start position and window end position is the refresh-permitted period and the other periods are refresh-prohibited periods.

Figure 27.2 shows the relationship between the RPSS[1:0] and RPES[1:0] bit setting and the refresh-permitted and refresh-prohibited periods.

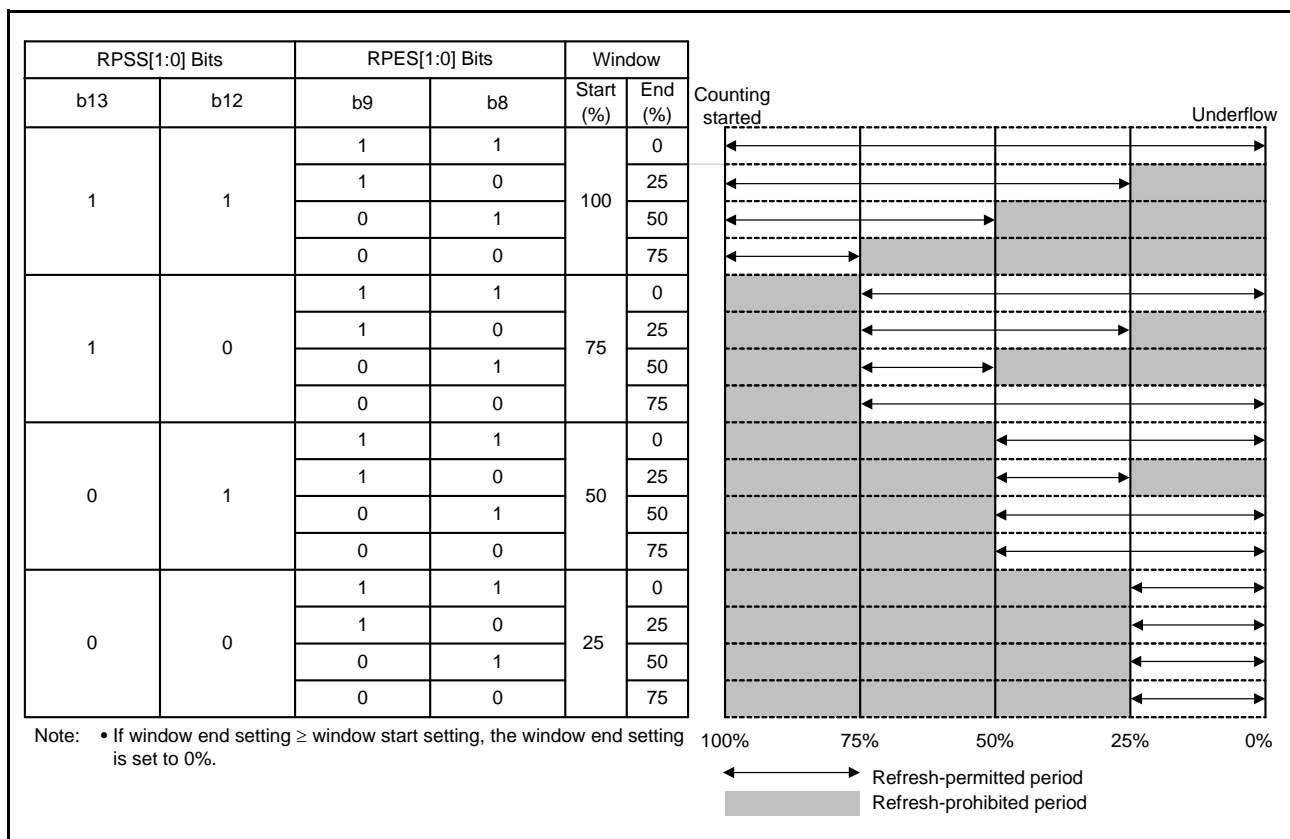
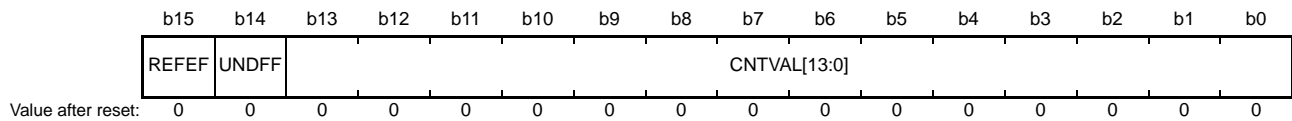


Figure 27.2 RPSS[1:0] and RPES[1:0] Bit Settings and the Refresh-Permitted Period

27.2.3 WDT Status Register (WDTSR)

Address(es): 0008 8024h



Bit	Symbol	Bit Name	Description	R/W
b13 to b0	CNTVAL[13:0]	Down-Counter Value	Value counted by the down-counter	R
b14	UNDFE	Underflow Flag	0: No underflow occurred 1: Underflow occurred	R(/W) *1
b15	REFEF	Refresh Error Flag	0: No refresh error occurred 1: Refresh error occurred	R(/W) *1

Note 1. Only 0 can be written to clear the flag.

WDTSR is initialized by the reset source of the WDT. WDTSR is not initialized by other reset sources.

CNTVAL[13:0] Bits (Down-Counter Value)

Read these bits to confirm the value of the down-counter, but note that the read value may differ from the actual count by a value of one count.

UNDFE Flag (Underflow Flag)

Read this bit to confirm whether or not an underflow has occurred in the down-counter.

The value 1 indicates that the down-counter has underflowed. The value 0 indicates that the down-counter has not underflowed.

Write 0 to the UNDFE flag to set the value to 0. Writing 1 has no effect.

REFEF Flag (Refresh Error Flag)

Read this bit to confirm whether or not a refresh error (performing a refresh operation during a refresh-prohibited period) has occurred.

The value 1 indicates that a refresh error has occurred. The value 0 indicates that no refresh error has occurred.

Clear the REFEF flag by writing 0 to it. Writing 1 has no effect.

27.2.4 WDT Reset Control Register (WDTRCR)

Address(es): 0008 8026h

b7	b6	b5	b4	b3	b2	b1	b0
RSTIR QS	—	—	—	—	—	—	—

Value after reset: 1 0 0 0 0 0 0 0

Bit	Symbol	Bit Name	Description	R/W
b6 to b0	—	Reserved	These bits are read as 0. Writing to these bits has no effect.	R
b7	RSTIRQS	Reset Interrupt Request Selection	0: Non-maskable interrupt request output is enabled 1: Reset output is enabled	R/W

There are some restrictions on writing to the WDTRCR register. For details, refer to section 27.3.2, Control over Writing to the WDTCR and WDTRCR Registers.

In auto-start mode, the WDTRCR register settings are disabled, and the settings in option function select register 0 (OFS0) enabled. The bit setting made to the WDTCR register can also be made in option function select register 0 (OFS0). For details, refer to section 27.3.8, Correspondence between Option Function Select Register 0 (OFS0) and WDT Registers.

27.2.5 Option Function Select Register 0 (OFS0)

For details on option function select register 0 (OFS0), refer to section 27.3.8, Correspondence between Option Function Select Register 0 (OFS0) and WDT Registers.

27.3 Operation

27.3.1 Count Operation in Each Start Mode

Select the WDT start mode by setting the WDT start mode select bit (OFS0.WDTSTRT) in option function select register 0.

When the OFS0.WDTSTRT bit is 1 (register start mode), the WDT control register (WDTCR) and WDT reset control register (WDTRCR) are enabled, and counting is started by refreshing (writing) the WDT refresh register (WDTRR).

When the OFS0.WDTSTRT bit is 0 (auto-start mode), option function select register 0 (OFS0) is enabled, and counting automatically starts after reset.

27.3.1.1 Register Start Mode

When the WDT start mode select bit (OFS0.WDTSTRT) in option function select register 0 is 1, register start mode is selected, and the WDT control register (WDTCR) and WDT reset control register (WDTRCR) are enabled.

After canceling from the reset, set the clock division ratio, window start and end positions, and time-out period in the WDTCR register, and the reset output or interrupt request output in the WDTRCR register. Then, refresh the down-counter to start counting down from the value selected by setting the time-out period selection (WDTCR.TOPS[1:0]) bits.

There after, as long as the program continues normal operation and the counter is refreshed in the refresh-permitted period, the value in the counter is re-set each time the counter is refreshed and counting down continues. The WDT does not output the reset signal as long as this continues. However, if the down-counter underflows because the down-counter cannot due to a program runaway, or if a refresh error occurs because the counter was refreshed outside the refresh-permitted period, the WDT outputs a reset signal or a non-maskable interrupt request (WUNI). Select reset output or interrupt request output by setting the reset interrupt request selection (WDTRCR.RSTIRQS) bit.

Figure 27.3 shows an example of operation under the following conditions.

- The WDT start mode select bit (OFS0.WDTSTRT) is 1 (register start mode)
- The reset interrupt request selection bit (WDTRCR.RSTIRQS) is 1 (reset output is enabled)
- The window start position selection bits (WDTCR.RPSS[1:0]) are 10b (75%)
- The window end position selection bits (WDTCR.RPES[1:0]) are 10b (25%)

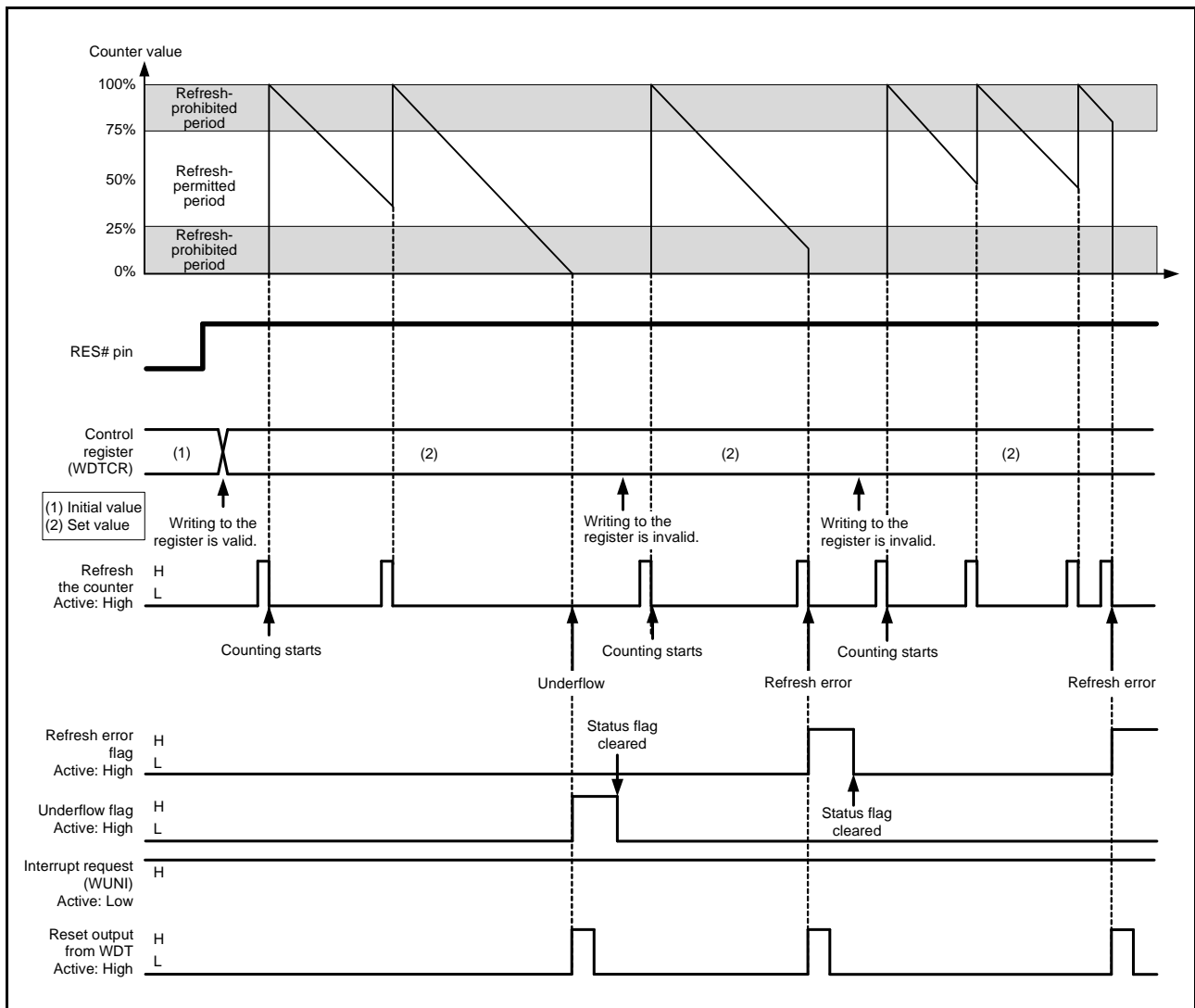


Figure 27.3 Operation Example in Register Start Mode

27.3.1.2 Auto-Start Mode

When the WDT start mode select bit (OFS0.WDTSTRT) in option function select register 0 is 0, auto-start mode is selected, and the WDT control register (WDTCR) and WDT reset control register (WDTRCR) are disabled.

Within the reset state, the clock division ratio, window start and end positions, time-out period, reset output or interrupt request output should be specified in option function select register 0 (OFS0). When the reset state is canceled, the down-counter automatically starts counting down from the value selected by the WDT time-out period selection (OFS0.WDTPS[1:0]) bits.

After that, as long as the program continues normal operation and the counter is refreshed in the refresh-permitted period, the value in the counter is re-set when the counter is refreshed and counting down continues. The WDT does not output the reset signal as long as this continues. However, if the down-counter underflows because refreshing of the down-counter is not possible due to the program having entered crashed execution or if a refresh error occurs due to refreshing outside the refresh-permitted period, the WDT outputs the reset signal or non-maskable interrupt request (WUNI). The reset output or interrupt request output can be selected through the WDT reset interrupt request selection (OFS0.WDTRSTIRQS) bit.

Figure 27.4 shows an example of operation under the following conditions.

- The WDT start mode select bit (OFS0.WDTSTRT) is 0 (auto-start mode)
- The reset interrupt request select bit (OFS0.WDTRSTIRQS) is 0 (non-maskable interrupt request output is enabled)
- The window start position select bits (OFS0.WDTRPSS[1:0]) are 10b (75%)
- The window end position select bits (OFS0.WDTRPES[1:0]) are 10b (25%)

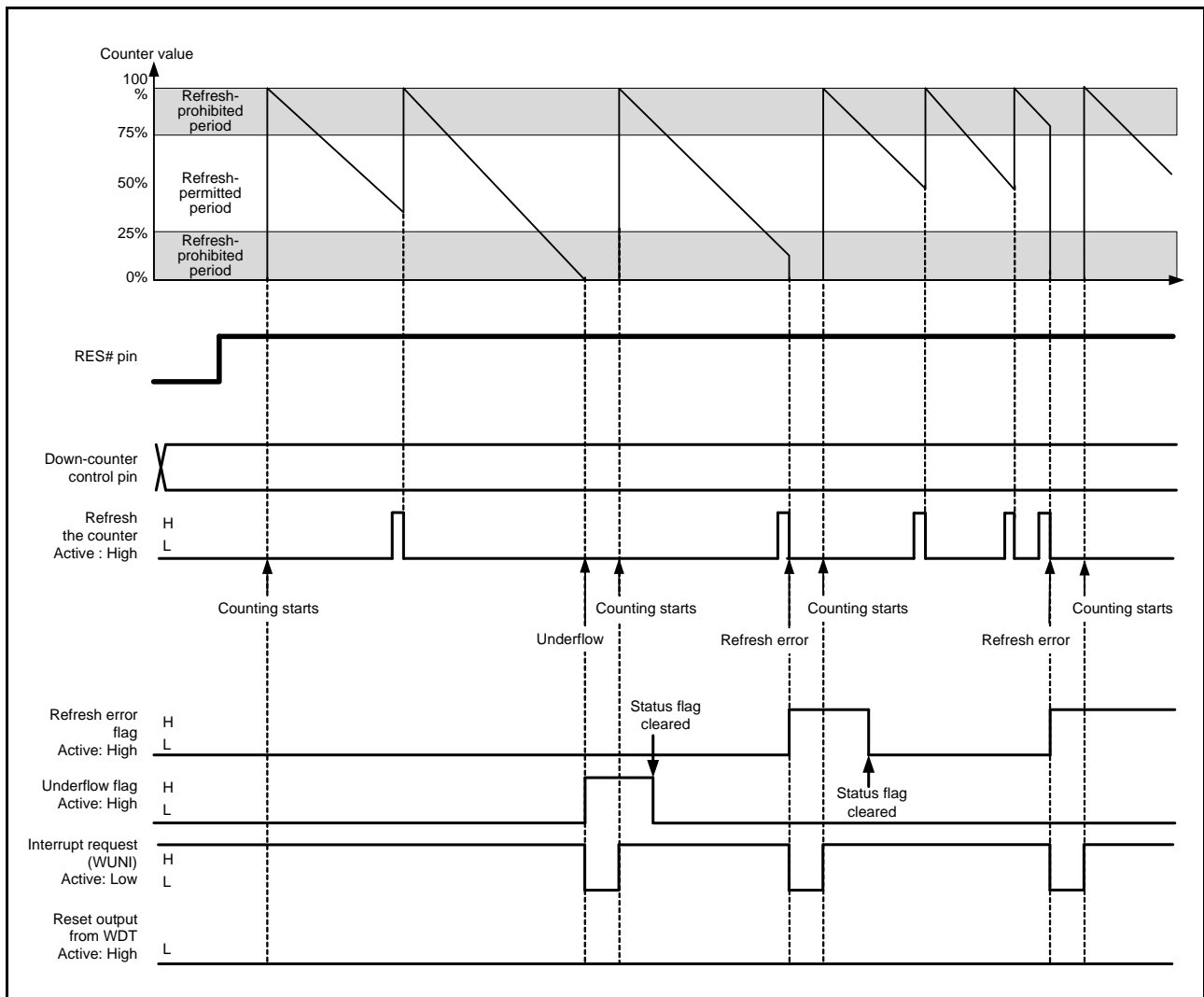


Figure 27.4 Operation Example in Auto-Start Mode

27.3.2 Control over Writing to the WDTCR and WDTRCR Registers

Writing to the WDT control register (WDTCR) or WDT reset control register (WDTRCR) is only possible once between the release from the reset state and the first refresh operation.

After a refresh operation (counting starts) or by writing to WDTCR or WDTRCR, the protection signal in the WDT becomes 1 to protect WDTCR and WDTRCR against subsequent attempts at writing.

This protection is released by the reset source of the WDT. With other reset sources, the protection is not released.

Figure 27.5 shows control waveforms produced in response to writing to the WDTCR.

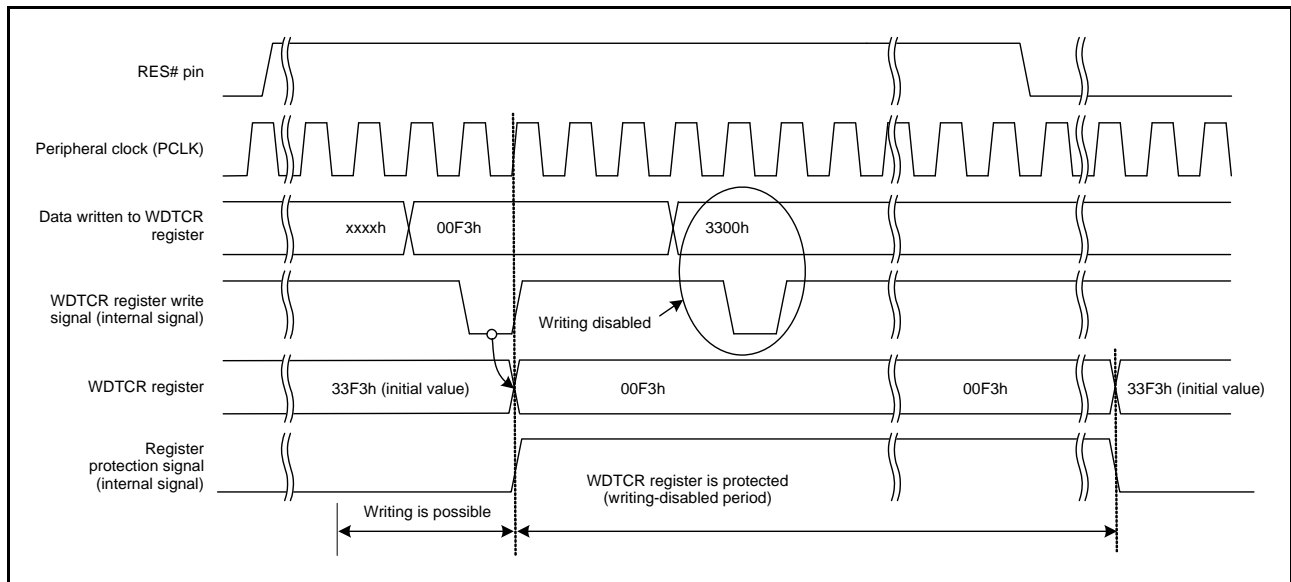


Figure 27.5 Control Waveforms Produced in Response to Writing to the WDTCR

27.3.3 Refresh Operation

The down-counter is refreshed and starts operation (counting is started by refreshing) by writing the values 00h and then FFh to the WDT refresh register (WDTRR). If a value other than FFh is written after 00h, the down-counter is not refreshed. After such invalid writing, correct refreshing is performed by again writing 00h and then FFh to the WDT refresh register (WDTRR).

When writing is done in the order of 00h (first time) → 00h (second time), and if FFh is written after that, the writing order 00h → FFh is satisfied; writing 00h (n-1-th time) → 00h (n-th time) → FFh is valid and correct refreshing will be done. Even when the first value written before 00h is not 00h, correct refreshing will be done if the operation contains the set of writing 00h → FFh. Moreover, even if a register other than WDTRR is accessed or WDTRR is read between writing 00h and writing FFh to WDTRR, correct refreshing will be done.

[Sample sequences of writing that are valid for refreshing the counter]

- 00h→FFh
- 00h (n-1-th time)→00h (n-th time)→FFh
- 00h→access to another register or read from WDTRR→FFh

[Sample sequences of writing that are not valid for refreshing the counter]

- 23h (a value other than 00h)→FFh
- 00h→54h (a value other than FFh)
- 00h→AAh (00h and a value other than FFh)→FFh

Even when 00h is written to WDTRR outside the refresh-permitted period, if FFh is written to WDTRR in the refresh-permitted period, the writing sequence is valid and refreshing will be done.

After FFh is written to the WDTRR register, refreshing the down-counter requires up to four cycles of the signal for counting (the clock division ratio selection (WDTCSR.CKS[3:0]) bits determine how many cycles of the peripheral clock (PCLK) make up one cycle for counting). Therefore, writing FFh to the WDTRR should be completed four-count cycles before the end position of the refresh-permitted period or a counter underflow. The value of the down-counter can be checked by the counter bits (WDTCSR.CNTVAL[13:0]).

[Sample refreshing timings]

- When the window start position is set to 1FFFh, even if 00h is written to WDTRR before 1FFFh is reached (2002h, for example), refreshing is done if FFh is written to WDTRR after the value of the WDTCSR.CNTVAL[13:0] bits has reached 1FFFh.
- When the window end position is set to 1FFFh, refreshing is done if 2003h (four-count cycles before 1FFFh) or a greater value is read from the WDTCSR.CNTVAL[13:0] bits immediately after writing 00h → FFh to WDTRR.
- When the refresh-permitted period continues until count 0000h, refreshing can be done immediately before an underflow. In this case, if 0003h (four-count cycles before an underflow) or a greater value is read from the WDTCSR.CNTVAL[13:0] bits immediately after writing 00h → FFh to WDTRR, no underflow occurs and refreshing is done.

Figure 27.6 shows the WDT refresh-operation waveforms when the clock division ratio = PCLK/64.

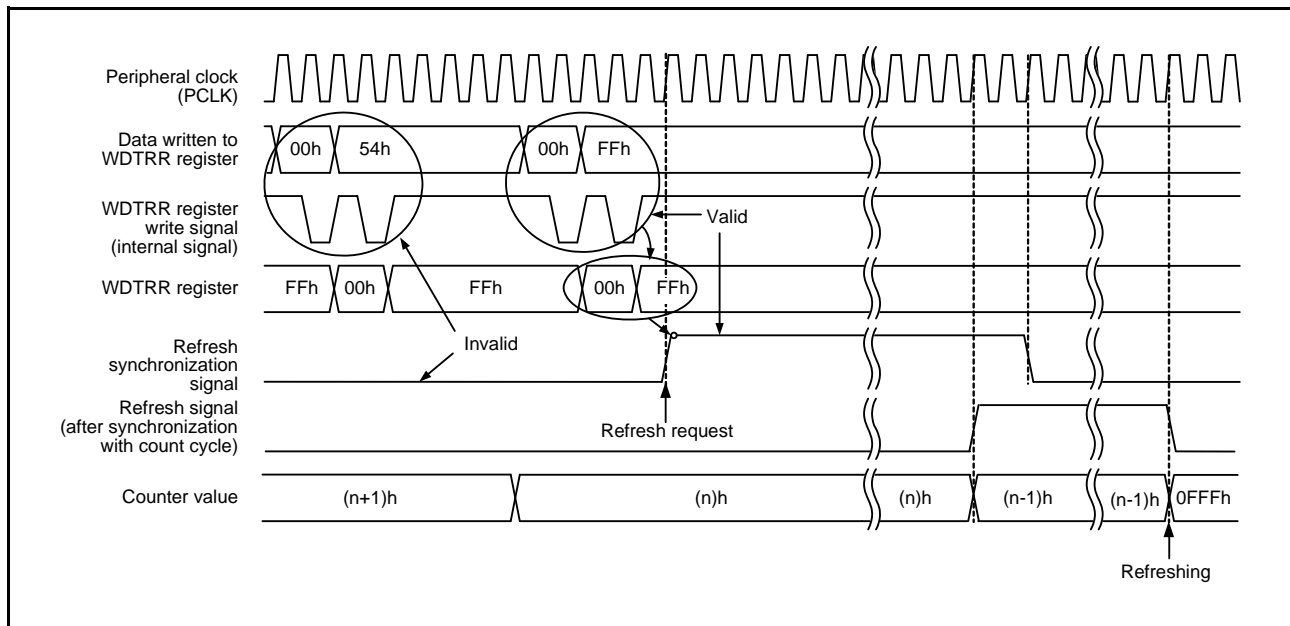


Figure 27.6 WDT Refresh Operation Waveforms (WDTCR.CKS[3:0] = 0100b, WDTCR.TOPS[1:0] = 01b)

27.3.4 Status Flags

The refresh error (WDTSR.REFEF) and underflow (WDTSR.UNDF) flags retain the source of the reset signal output from the WDT or the source of the interrupt request from the WDT.

Thus, after release from the reset state or interrupt request generation, read the WDTSR.REFEF and WDTSR.UNDF flags to check for the reset or interrupt source.

For each flag, writing 0 clears the bit and writing 1 has no effect.

Leaving the status flags unchanged does not affect operation. If the flags are not cleared, at the time of the next reset or interrupt request from the WDT, the earlier reset or interrupt source is cleared and the new reset or interrupt source is written.

In addition, several (at least five) cycles of the PCLK are required to read the reflected value after clearing the flag by writing 0 to the bit.

27.3.5 Reset Output

When the reset interrupt selection (WDTRCR.RSTIRQS) bit is set to 1 in register start mode or when the WDT reset interrupt request selection (OFS0.WDTRSTIRQS) bit in option function select register 0 (OFS0) is set to 1 in auto-start mode, a reset signal is output for one-count cycle when an underflow in the down-counter or a refresh error occurs.

In register start mode, the down-counter is initialized (all bits cleared to 0) and kept in that state after assertion of the reset signal. After the reset is canceled and the program is restarted, the counter is set up again and counting down is started by refreshing.

In auto-start mode, counting down automatically starts after the reset output.

27.3.6 Interrupt Source

When the reset interrupt selection (WDTRCR.RSTIRQS) bit is set to 0 in register start mode or when the WDT reset interrupt request selection (OFS0.WDTRSTIRQS) bit in option function select register 0 (OFS0) is set to 0 in auto-start mode, a non-maskable interrupt (WUNI) signal is output when an underflow in the down-counter or a refresh error occurs.

Table 27.4 WDT Interrupt Source

Name	Interrupt Source	DTC Activation	DMAC Activation
WUNI	Down-counter underflow Refresh error	Not possible	Not possible

27.3.7 Reading the Down-Counter Value

The WDT stores the counter value in the down-counter value (WDTSR.CNTVAL[13:0]) bits of the WDT status register. Thus, the counter value can be checked through the WDTSR.CNTVAL[13:0] bits.

Figure 27.7 shows the processing for reading the WDT down-counter value when the clock division ratio = PCLK/64.

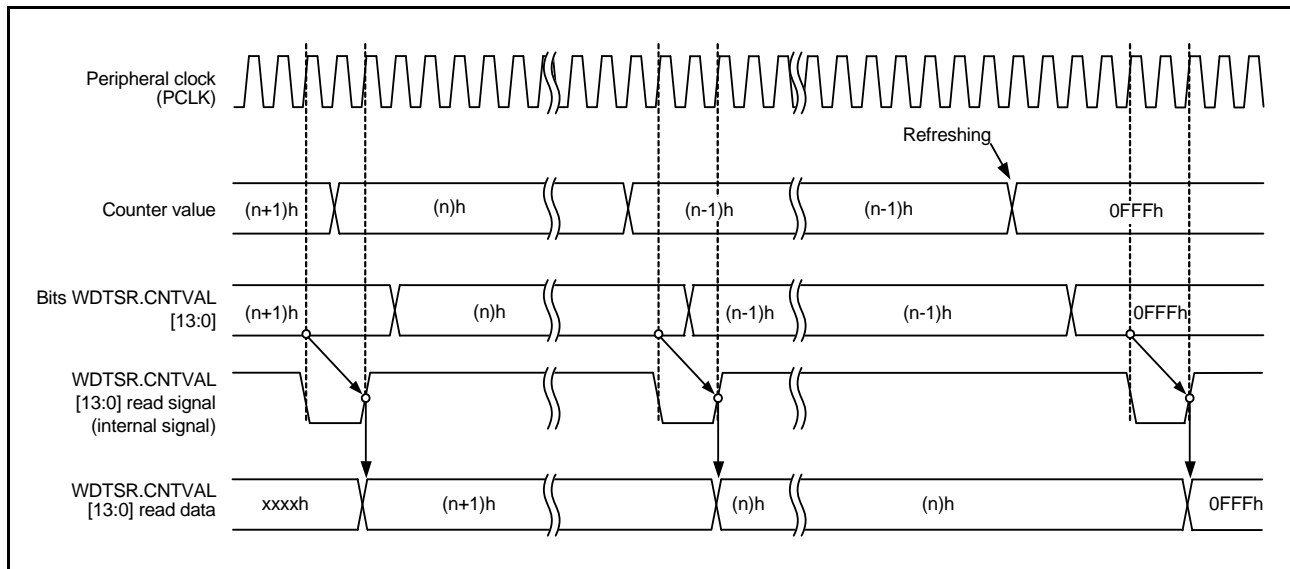


Figure 27.7 Processing for Reading WDT Down-Counter Value (WDTCR.CKS[3:0] = 0100b, WDTCR.TOPS[1:0] = 01b)

27.3.8 Correspondence between Option Function Select Register 0 (OFS0) and WDT Registers

Table 27.5 lists the correspondence between option function select register 0 (OFS0) and the WDT registers (WDT control register (WDTCR) and WDT reset control register (WDTRCR)) regarding control of the down-counter and reset or interrupt request output. Control can be switched between option function select register 0 (OFS0) and the WDT registers (WDTCR and WDTRCR) through the setting of the WDT start mode select (OFS0.WDTSTRT) bit in option function select register 0.

Note that option function select register 0 (OFS0) setting should be kept unchanged during WDT operation.

For details on option function select register 0 (OFS0), see section 7.2.1, Option Function Select Register 0 (OFS0).

Table 27.5 Correspondence between Option Function Select Register 0 (OFS0) and WDT Registers

Target of Control	Function	OFS0 Register (Effective in Auto-Start Mode) OFS0.WDTSTRT = 0	WDT Registers (Effective in Register Start Mode) OFS0.WDTSTRT = 1
Down-counter	Time-out period selection	OFS0.WDTPS[1:0]	WDTCR.TOPS[1:0]
	Clock division ratio selection	OFS0.WDTCKS[3:0]	WDTCR.CKS[3:0]
	Window start position selection	OFS0.WDTRPSS[1:0]	WDTCR.RPSS[1:0]
	Window end position selection	OFS0.WDTRPES[1:0]	WDTCR.RPES[1:0]
Reset output or interrupt request output	Reset output or interrupt request output selection	OFS0.WDTRSTIRQS	WDTRCR.RSTIRQS

28. Independent Watchdog Timer (IWDTa)

The independent watchdog timer (IWDT) is a watchdog timer for use independently of the conventional watchdog timer; the purpose of the independent watchdog timer is to detect programs being out of control.

The IWDT has a 14-bit down-counter, and can be set up so that the chip is reset by a reset output when counting down from the initial value causes an underflow of the counter. Alternatively, generation of an interrupt request is selectable when the counter underflows. The initial value for counting can be restored to the down-counter by refreshing its value. The interval over which refreshing is possible can also be selected. Refreshing the counter during this interval will restore its initial value for counting, while attempting to refresh the counter beyond this interval leads to the output of a reset or interrupt request. The refresh interval can be adjusted and used to detect the program entering runaway conditions. The IWDT stops counting after an underflow or an attempt at refreshing the counter beyond the allowed interval. Counting is restarted by refreshing the counter when the IWDT is in register start mode. When the IWDT is in auto-start mode, counting is restarted automatically after output of the reset or interrupt request.

28.1 Overview

The IWDT has two start modes: auto-start mode, in which counting automatically starts after release from the reset state, and register start mode, in which counting is started by refreshing the IWDT (writing to the register).

In auto-start mode, necessary settings (clock division ratio, refresh window start and end positions, time-out period, reset or non-maskable interrupt request output at an underflow, and count stop control in sleep mode) should be made in option function select register 0 (OFS0) before release from the reset state.

In register start mode, necessary settings (clock division ratio, refresh window start and end positions, time-out period, reset or non-maskable interrupt request output at an underflow, and count stop control in sleep mode) should be made in the respective registers before the counter is started by refreshing after release from the reset state.

Set the IWDT start mode select bit (OFS0.IWDTSTRT) to select auto-start mode or register start mode.

When auto-start mode is selected (OFS0.IWDTSTRT = 0), the IWDT control register (IWDTCR), IWDT reset control register (IWDTRCR), and IWDT count stop control register (IWDTCSTPR) settings are disabled and option function select register 0 (OFS0) settings are enabled.

When register start mode is selected (OFS0.IWDTSTRT = 1), option function select register 0 (OFS0) settings are ignored and the IWDTCR, IWDTRCR, and IWDTCSTPR settings take effect.

Specifications of the IWDT are listed in Table 28.1.

Table 28.1 Specifications of IWDT

Item	Description
Count source*1	IWDT-dedicated clock (IWDTCLK)
Clock division ratio	Division by 1, 16, 32, 64, 128, or 256
Counter operation	Counting down using a 14-bit down-counter
Conditions for starting the counter	<ul style="list-style-type: none"> Counting automatically starts after a reset (auto-start mode) Counting is started by refreshing the IWDTRR register (writing 00h and then FFh) (register start mode)
Conditions for stopping the counter	<ul style="list-style-type: none"> Reset (the down-counter and other registers return to their initial values) A counter underflows or a refresh error is generated Count restarts automatically in auto-start mode, or by refreshing the counter in register start mode
Window function	Window start and end positions can be specified (refresh-permitted and refresh-prohibited periods)
Reset-output sources	<ul style="list-style-type: none"> Down-counter underflows Refreshing outside the refresh-permitted period (refresh error)
Interrupt request output sources	<ul style="list-style-type: none"> A non-maskable interrupt (WUNI) is generated by an underflow of the down-counter When refreshing is done outside the refresh-permitted period (refresh error)
Reading the counter value	The down-counter value can be read by the IWDTSR register.
Event link function (output)	<ul style="list-style-type: none"> Down-counter underflows Refreshing outside the refresh-permitted period (refresh error)
Output signal (internal signal)	<ul style="list-style-type: none"> Reset output Interrupt request output Sleep mode count stop control output
Auto-start mode (controlled by option function select register 0 (OFS0))	<ul style="list-style-type: none"> Selecting the clock frequency division ratio after a reset (OFS0.IWDTCKS[3:0] bits) Selecting the time-out period of the watchdog timer (OFS0.IWDTTOPS[1:0] bits) Selecting the window start position in the watchdog timer (OFS0.IWDRPSS[1:0] bits) Selecting the window end position in the watchdog timer (OFS0.IWDRPES[1:0] bits) Selecting the reset output or interrupt request output (OFS0.IWDRSTIRQS bit) Selecting the down-count stop function at transition to sleep mode, software standby mode, deep software standby mode, or all-module clock stop mode (OFS0.IWDTSLCSTP bit)
Register start mode (controlled by the IWDT registers)	<ul style="list-style-type: none"> Selecting the clock frequency division ratio after refreshing (IWDTCR.CKS[3:0] bits) Selecting the time-out period of the watchdog timer (IWDTCR.TOPS[1:0] bits) Selecting the window start position in the watchdog timer (IWDTCR.RPSS[1:0] bits) Selecting the window end position in the watchdog timer (IWDTCR.RPES[1:0] bits) Selecting the reset output or interrupt request output (IWDTCR.RSTIRQS bit) Selecting the down-count stop function at transition to sleep mode, software standby mode, deep software standby mode, or all-module clock stop mode (IWDTCSTPR.SLCSTP bit)

Note 1. Satisfy the frequency of the peripheral module clock (PCLKB) $\geq 4 \times$ (the frequency of the count clock source after division).

To use the IWDT, two clocks (peripheral clock (PCLK) and IWDT-dedicated clock (IWDTCLK)) should be supplied so that the IWDT works while the peripheral clock (PCLK) stops. The bus interface and registers operate with PCLK, and the 14-bit down-counter and control circuits operate with IWDTCLK.

Signal lines between the blocks operating with the peripheral clock and IWDT-dedicated clock are connected through synchronization circuits.

Figure 28.1 is a block diagram of the IWDT.

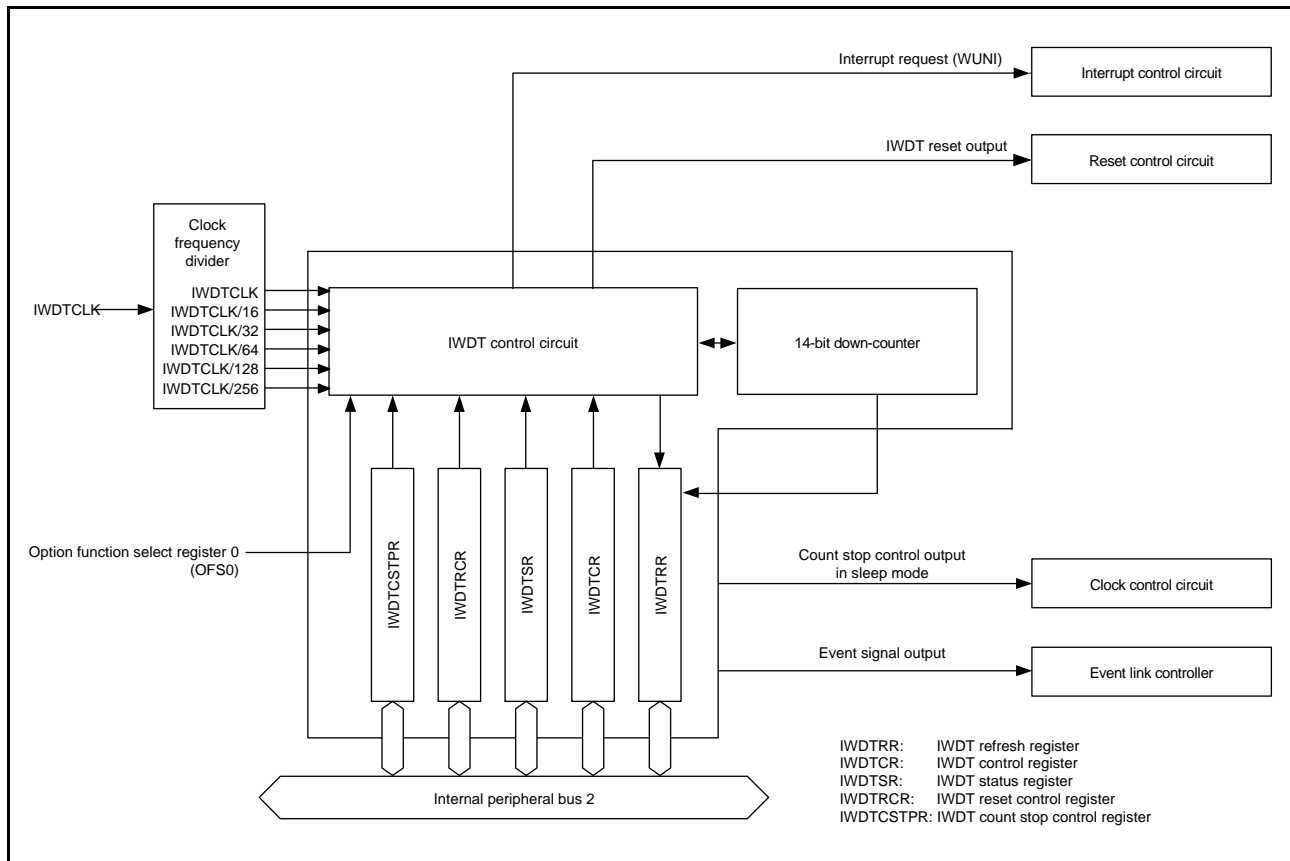
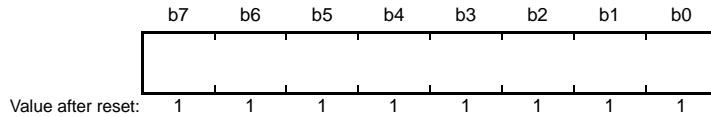


Figure 28.1 Block Diagram of IWDT

28.2 Register Descriptions

28.2.1 IWDT Refresh Register (IWDTRR)

Address(es): 0008 8030h



Bit	Description	R/W
b7 to b0	The down-counter is refreshed by writing 00h and then writing FFh to this register	R/W

IWDTRR refreshes the down-counter of the IWDT.

The down-counter of the IWDT is refreshed by writing 00h and then writing FFh to IWDTRR (refresh operation) within the refresh-permitted period.

After the down-counter has been refreshed, it starts counting down from the value selected by the IWDT time-out period select bits (OFS0.IWDTTOPS[1:0]) in option function select register 0 (OFS0) in auto-start mode. In register start mode, counting down starts from the value selected by setting the time-out period selection (TOPS[1:0]) bits in the IWDT control register (IWDTCR) in the first refresh operation after release from the reset state.

When 00h is written, the read value is 00h. When a value other than 00h is written, the read value is FFh.

For details of the refresh operation, refer to section 28.3.3, Refresh Operation.

28.2.2 IWDT Control Register (IWDTCR)

Address(es): 0008 8032h

b15	b14	b13	b12	b11	b10	b9	b8	b7	b6	b5	b4	b3	b2	b1	b0
—	—	RPSS[1:0]	—	—	RPES[1:0]	CKS[3:0]			—	—	TOPS[1:0]				
0	0	1	1	0	0	1	1	1	1	1	1	0	0	1	1

Value after reset:

Bit	Symbol	Bit Name	Description	R/W
b1, b0	TOPS[1:0]	Time-Out Period Selection	b1 b0 0 0: 1,024 cycles (03FFh) 0 1: 4,096 cycles (0FFFh) 1 0: 8,192 cycles (1FFFh) 1 1: 16,384 cycles (3FFFh)	R/W
b3, b2	—	Reserved	These bits are read as 0. Writing to these bits has no effect.	R
b7 to b4	CKS[3:0]	Clock Division Ratio Selection	b7 b4 0 0 0 0: IWDTCLK 0 0 1 0: IWDTCLK/16 0 0 1 1: IWDTCLK/32 0 1 0 0: IWDTCLK/64 1 1 1 1: IWDTCLK/128 0 1 0 1: IWDTCLK/256 Other settings are prohibited.	R/W
b9, b8	RPES[1:0]	Window End Position Selection	b9 b8 0 0: 75% 0 1: 50% 1 0: 25% 1 1: 0% (window end position is not specified)	R/W
b11, b10	—	Reserved	These bits are read as 0. Writing to these bits has no effect.	R
b13, b12	RPSS[1:0]	Window Start Position Selection	b13 b12 0 0: 25% 0 1: 50% 1 0: 75% 1 1: 100% (window start position is not specified)	R/W
b15, b14	—	Reserved	These bits are read as 0. Writing to these bits has no effect.	R

There are some restrictions on writing to the IWDTCR register. For details, refer to section 28.3.2, Control over Writing to the IWDTCR, IWDTSCR, and IWDTCSR Registers.

In auto-start mode, the settings in the IWDTCR register are disabled, and the settings in option function select register 0 (OFS0) are enabled. The bit setting made to the IWDTCR register can also be made in option function select register 0 (OFS0). For details, refer to section 28.3.8, Correspondence between Option Function Select Register 0 (OFS0) and IWDT Registers.

TOPS[1:0] Bits (Time-Out Period Selection)

The TOPS[1:0] bits select the time-out period (period until the down-counter underflows) from among 1,024, 4,096, 8,192, or 16,384 cycles, taking the divided clock specified by the CKS[3:0] bits as one cycle.

After the down-counter is refreshed, the combination of the CKS[3:0] and TOPS[1:0] bits determines the time (number of IWDTCLK cycles) until the counter underflows.

Relations between the CKS[3:0] and TOPS[1:0] bit setting, the time-out period, and the number of IWDTCLK cycles are listed in Table 28.2.

Table 28.2 Settings and Time-Out Periods

CKS[3:0] Bits				TOPS[1:0] Bits		Clock Division Ratio	Time-Out Period (Number of Cycles)	Cycles of IWDTCLK
b7	b6	b5	b4	b1	b0			
0	0	0	0	0	0	IWDTCLK	1024	1024
				0	1		4096	4096
				1	0		8192	8192
				1	1		16384	16384
0	0	1	0	0	0	IWDTCLK/16	1024	16384
				0	1		4096	65536
				1	0		8192	131072
				1	1		16384	262144
0	0	1	1	0	0	IWDTCLK/32	1024	32768
				0	1		4096	131072
				1	0		8192	262144
				1	1		16384	524288
0	1	0	0	0	0	IWDTCLK/64	1024	65536
				0	1		4096	262144
				1	0		8192	524288
				1	1		16384	1048576
1	1	1	1	0	0	IWDTCLK/128	1024	131072
				0	1		4096	524288
				1	0		8192	1048576
				1	1		16384	2097152
0	1	0	1	0	0	IWDTCLK/256	1024	262144
				0	1		4096	1048576
				1	0		8192	2097152
				1	1		16384	4194304

CKS[3:0] Bits (Clock Division Ratio Selection)

These bits select the IWDTCLK clock division ratio from among division by 1, 16, 32, 64, 128, and 256. Combination with the TOPS[1:0] bit setting, a count period between 1,024 and 4,194, 304 cycles of the IWDTCLK clock can be selected for the IWDT.

RPES[1:0] Bits (Window End Position Selection)

These bits select 75%, 50%, 25% or 0% of the count period for the window end position of the down-counter. The window end position should be a value smaller than the window start position (window start position > window end position). If the window end position is greater than the window start position, only the window start position setting is enabled.

The counter values for the window start and end positions selected by setting the RPSS[1:0] and RPES[1:0] bits change depending on the TOPS[1:0] bit setting.

Table 28.3 lists the counter values for the window start and end positions corresponding to TOPS[1:0] bit values.

Table 28.3 Relationship between Time-Out Period and Window Start and End Counter Values

TOPS[1:0] Bits		Time-Out Period		Window Start and End Counter Value			
b1	b0	Cycles	Counter Value	100%	75%	50%	25%
0	0	1024	03FFh	03FFh	02FFh	01FFh	00FFh
0	1	4096	0FFFh	0FFFh	0BFFh	07FFh	03FFh
1	0	8192	1FFFh	1FFFh	17FFh	0FFFh	07FFh
1	1	16384	3FFFh	3FFFh	2FFFh	1FFFh	0FFFh

RPSS[1:0] Bits (Window Start Position Selection)

These bits select 100%, 75%, 50%, and 25% of the count period for the window start position for the down-counter (100% when the count starts and 0% when the counter underflows). The interval between the window start position and window end position is the refresh-permitted period and the other periods are refresh-prohibited periods.

Figure 28.2 shows the relationship between the RPSS[1:0] and RPES[1:0] bit setting and the refresh-permitted and refresh-prohibited periods.

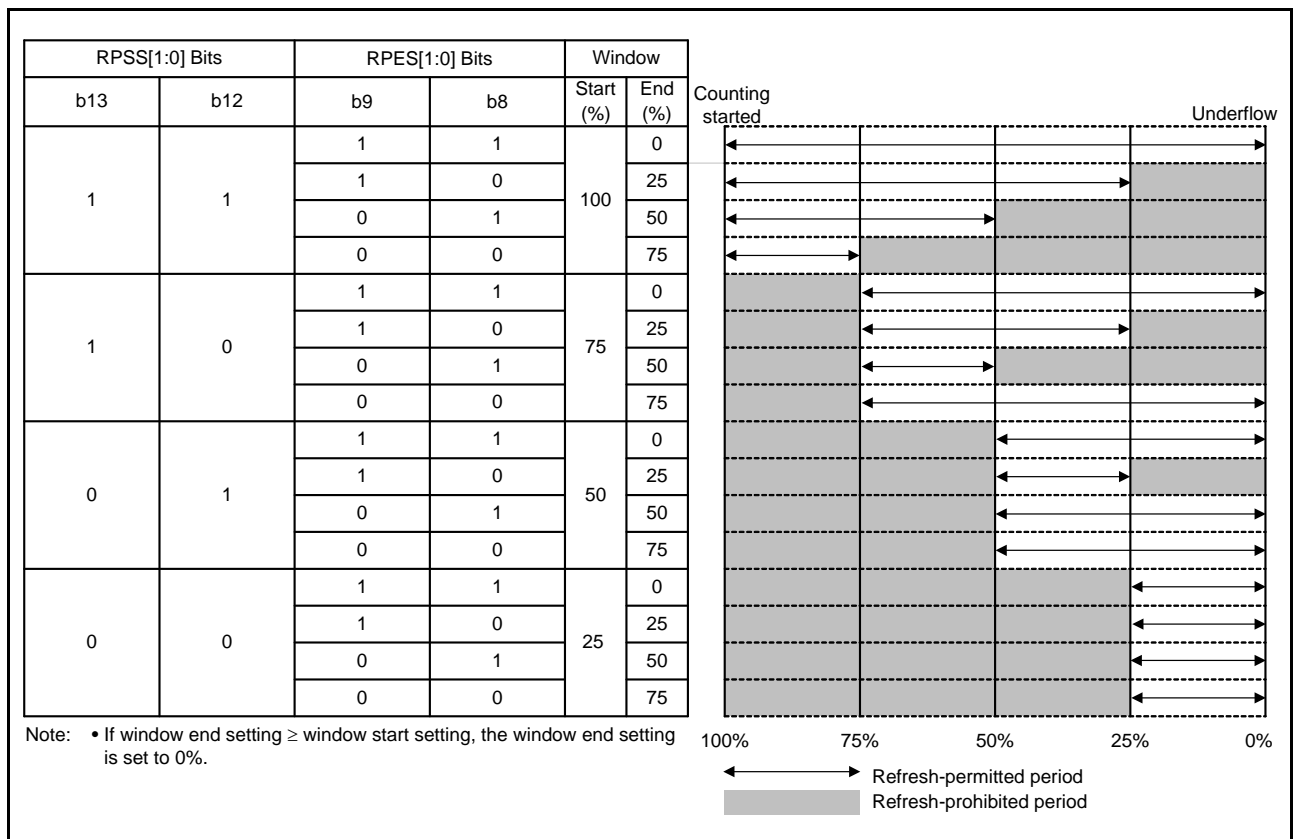
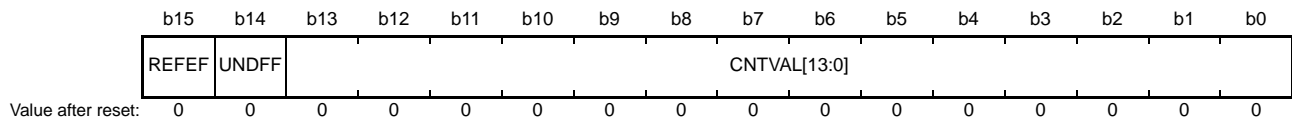


Figure 28.2 RPSS[1:0] and RPES[1:0] Bit Settings and the Refresh-Permitted Period

28.2.3 IWDT Status Register (IWDTSR)

Address(es): 0008 8034h



Bit	Symbol	Bit Name	Description	R/W
b13 to b0	CNTVAL[13:0]	Down-Counter Value	Value counted by the down-counter	R
b14	UNDFE	Underflow Flag	0: No underflow occurred 1: Underflow occurred	R(/W) *1
b15	REFEF	Refresh Error Flag	0: No refresh error occurred 1: Refresh error occurred	R(/W) *1

Note 1. Only 0 can be written to clear the flag.

IWDTSR is initialized by the reset source of the IWDT. IWDTSR is not initialized by other reset sources.

CNTVAL[13:0] Bits (Down-Counter Value)

Read these bits to confirm the value of the down-counter, but note that the read value may differ from the actual count by a value of one count.

UNDFE Flag (Underflow Flag)

Read this bit can be read to confirm whether or not an underflow has occurred in the down-counter.

The value 1 indicates that the down-counter has underflowed. The value 0 indicates that the down-counter has not underflowed.

Write 0 to the UNDFE flag to set the value to 0. Writing 1 has no effect.

REFEF Flag (Refresh Error Flag)

Read this bit to confirm whether or not a refresh error (performing a refresh operation during a refresh-prohibited period).

The value 1 indicates that a refresh error has occurred. The value 0 indicates that no refresh error has occurred.

Write 0 to the REFEF flag to set the value to 0. Writing 1 has no effect.

28.2.4 IWDt Reset Control Register (IWDTRCR)

Address(es): 0008 8036h

b7	b6	b5	b4	b3	b2	b1	b0
RSTIR QS	—	—	—	—	—	—	—

Value after reset: 1 0 0 0 0 0 0 0

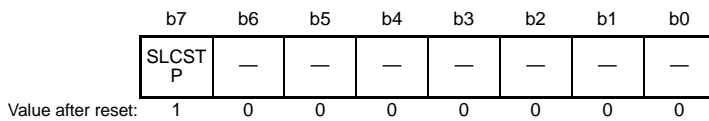
Bit	Symbol	Bit Name	Description	R/W
b6 to b0	—	Reserved	These bits are read as 0. Writing to these bits has no effect.	R
b7	RSTIRQS	Reset Interrupt Request Selection	0: Non-maskable interrupt request output is enabled 1: Reset output is enabled	R/W

There are some restrictions on writing to the IWDTRCR register. For details, refer to section 28.3.2, Control over Writing to the IWDTCR, IWDTRCR, and IWDTCSTPR Registers.

In auto-start mode, the IWDTRCR register settings are disabled, and the settings in option function select register 0 (OFS0) enabled. The bit setting mode to the IWDTRCR register can also be made in option function select register 0. For details, refer to section 28.3.8, Correspondence between Option Function Select Register 0 (OFS0) and IWDt Registers.

28.2.5 IWDT Count Stop Control Register (IWDTCSSTPR)

Address(es): 0008 8038h



Bit	Symbol	Bit Name	Description	R/W
b6 to b0	—	Reserved	These bits are read as 0. Writing to these bits has no effect.	R
b7	SLCSTP	Sleep Mode Count Stop Control	0: Count stop is disabled 1: Count is stopped at a transition to sleep mode, software standby mode, deep software standby mode, or all-module clock stop mode	R/W

IWDTCSSTPR controls whether to stop the IWDT down-counter at transitions to low power consumption modes. There are some restrictions on writing to the IWDTCSSTPR register. For details, refer to section 28.3.2, Control over Writing to the IWDTCSR, IWDTRCR, and IWDTCSSTPR Registers.

In auto-start mode, the settings in the IWDTCSSTPR register are ignored, and the settings in option function select register 0 (OFS0) take effect. The bit setting mode to the IWDTCSSTPR register can also be made in option function select register 0 (OFS0). For details, refer to section 28.3.8, Correspondence between Option Function Select Register 0 (OFS0) and IWDT Registers.

SLCSTP Bit (Sleep Mode Count Stop Control)

This bit selects whether to stop counting at a transition to sleep mode, software standby mode, deep software standby mode, or all-module clock stop mode.

28.2.6 Option Function Select Register 0 (OFS0)

For option function select register 0 (OFS0), refer to section 28.3.8, Correspondence between Option Function Select Register 0 (OFS0) and IWDT Registers.

28.3 Operation

28.3.1 Count Operation in Each Start Mode

Select the IWDT start mode by setting the IWDT start mode select bit (OFS0.IWDTSTRT) in option function select register 0.

When the OFS0.IWDTSTRT bit is 1 (register start mode), the IWDT control register (IWDTCR), IWDT reset control register (IWDTRCR), and IWDT count stop control register (IWDCSTPR) are enabled, and counting is started by refreshing (writing) the IWDT refresh register (IWDTRR). When the OFS0.IWDTSTRT bit is 0 (auto-start mode), the setting of option function select register 0 (OFS0) is enabled, and counting automatically starts after reset.

28.3.1.1 Register Start Mode

When the IWDT start mode select bit (OFS0.IWDTSTRT) in option function select register 0 is 1, register start mode is selected, and the IWDT control register (IWDTCR), IWDT reset control register (IWDTRCR), and IWDT count stop control register (IWDCSTPR) are enabled.

After canceling from the reset, set the clock division ratio, window start and end positions, and time-out period in the IWDTCR register, the reset output or interrupt request output in the IWDTRCR register, and the down-counter stop control at transitions to low power consumption modes in the IWDCSTPR register. Then refresh the down-counter to start counting down from the value selected by setting the time-out period selection (IWDTCR.TOPS[1:0]) bits.

There after, as long as the program continues normal operation and the counter is refreshed in the refresh-permitted period, the value in the counter is re-set each time the counter is refreshed and counting down continues. The IWDT does not output the reset signal as long as this continues. However, if the down-counter underflows because of the down-counter cannot be refreshed due to a program runaway, or if a refresh error occurs because the counter was refreshed outside the refresh-permitted period, the IWDT outputs a reset signal or a non-maskable interrupt request (WUNI). Select reset output or interrupt request output by setting the reset interrupt request selection (IWDTRCR.RSTIRQS) bit.

Figure 28.3 shows an example of operation under the following conditions.

- The IWDT start mode select bit (OFS0.IWDTSTRT) is 1 (register start mode)
- The reset interrupt request select bit (IWDTRCR.RSTIRQS) is 1 (reset output is enabled)
- The window start position select bits (IWDTCR.RPSS[1:0]) are 10b (75%)
- The window end position select bits (IWDTCR.RPES[1:0]) are 10b (25%)

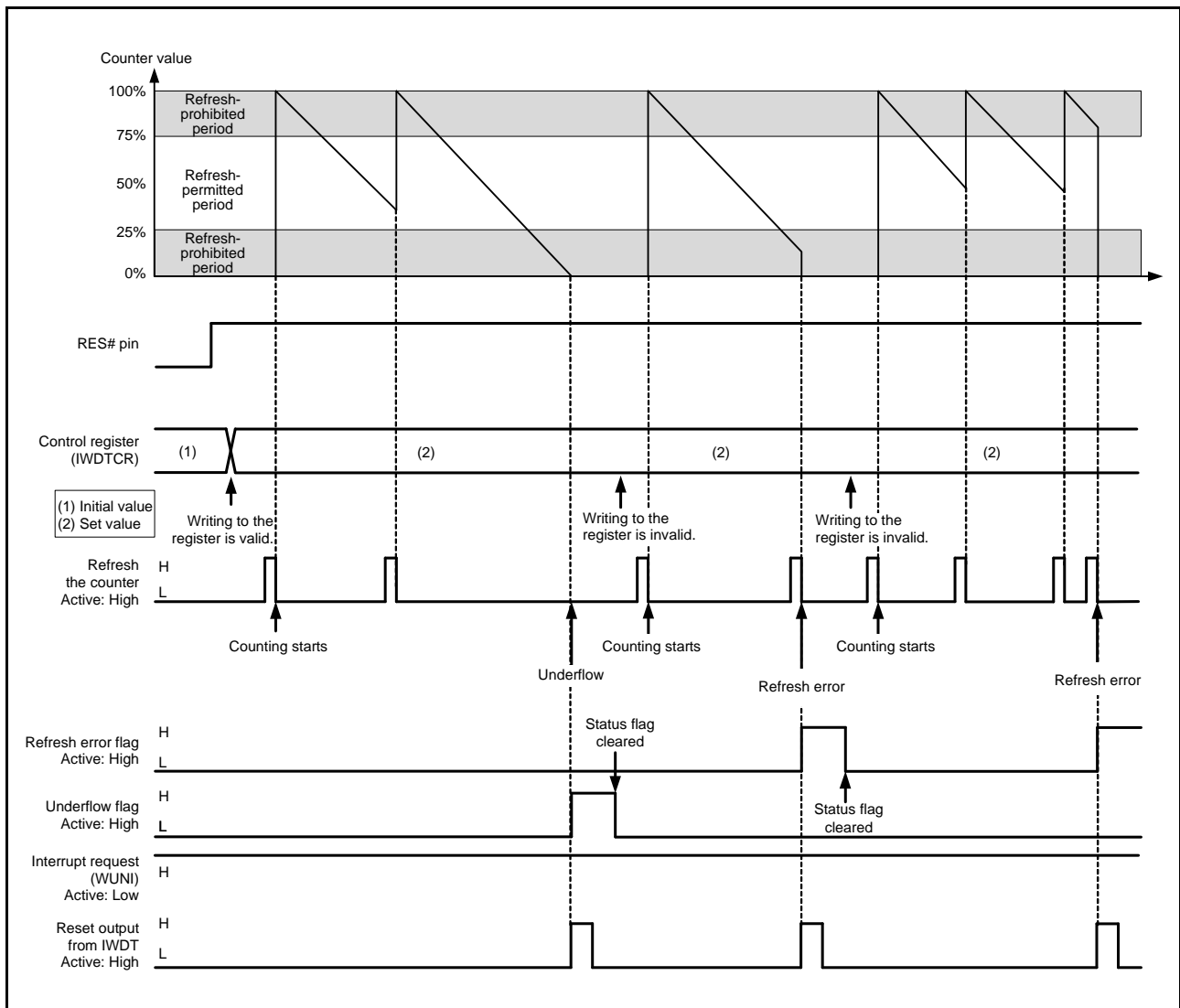


Figure 28.3 Operation Example in Register Start Mode

28.3.1.2 Auto-Start Mode

When the IWDT start mode select bit (OFS0.IWDTSTRT) in option function select register 0 is 0, auto-start mode is selected, and the IWDT control register (IWDTCR), IWDT reset control register (IWDTRCR), and IWDT count stop control register (IWDCSTPR) are disabled.

Within the reset state, the clock division ratio, window start and end positions, time-out period, reset output or interrupt request output, and down-counter stop control at transitions to low power consumption modes should be specified in option function select register 0 (OFS0). When the reset state is canceled, the down-counter automatically starts counting down from the value selected by the IWDT time-out period select (OFS0.IWDTTOPS[1:0]) bits.

After that, as long as the program continues normal operation and the counter is refreshed in the refresh-permitted period, the value in the counter is re-set when the counter is refreshed and counting down continues. The IWDT does not output the reset signal as long as this continues. However, if the down-counter underflows because refreshing of the down-counter is not possible due to the program having entered crashed execution or if a refresh error occurs due to refreshing outside the refresh-permitted period, the IWDT outputs the reset signal or non-maskable interrupt request (WUNI). The reset output or interrupt request output can be selected through the IWDT reset interrupt request select (OFS0.IWDTRSTIRQS) bit.

Figure 28.4 shows an example of operation under the following conditions.

- The IWDT start mode select bit (OFS0.IWDTSTRT) is 0 (auto-start mode)
- The reset interrupt request select bit (OFS0.IWDTRSTIRQS) is 0 (non-maskable interrupt request output is enabled)
- The window start position select bits (OFS0.IWDTRPSS[1:0]) are 10b (75%)
- The window end position select bits (OFS0.IWDTRPES[1:0]) are 10b (25%)

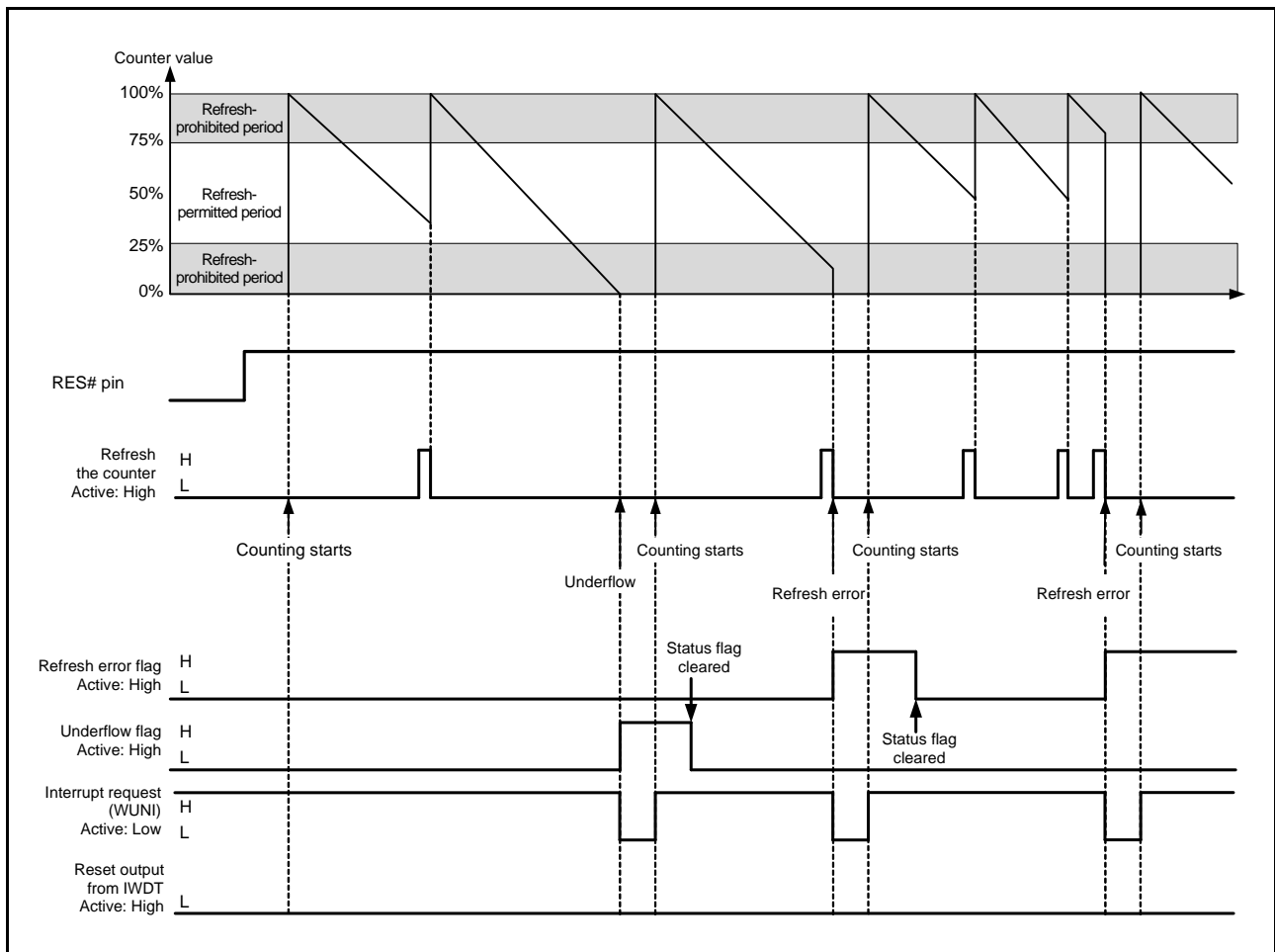


Figure 28.4 Operation Example in Auto-Start Mode

28.3.2 Control over Writing to the IWDTCR, IWDTRCR, and IWDTCSPTPR Registers

Writing to the IWDT control register (IWDTCR), IWDT reset control register (IWDTRCR), or IWDT count stop control register (IWDTCSPTPR) is only possible once between the release from the reset state and the first refresh operation. After a refresh operation (counting starts) or IWDTCR, IWDTRCR, or IWDTCSPTPR is written to, the protection signal in the IWDT becomes 1 to protect IWDTCR, IWDTRCR, and IWDTCSPTPR against subsequent attempts at writing. This protection is released by the reset source of the IWDT. With other reset sources, the protection is not released. Figure 28.5 shows control waveforms produced in response to writing to the IWDTCR.

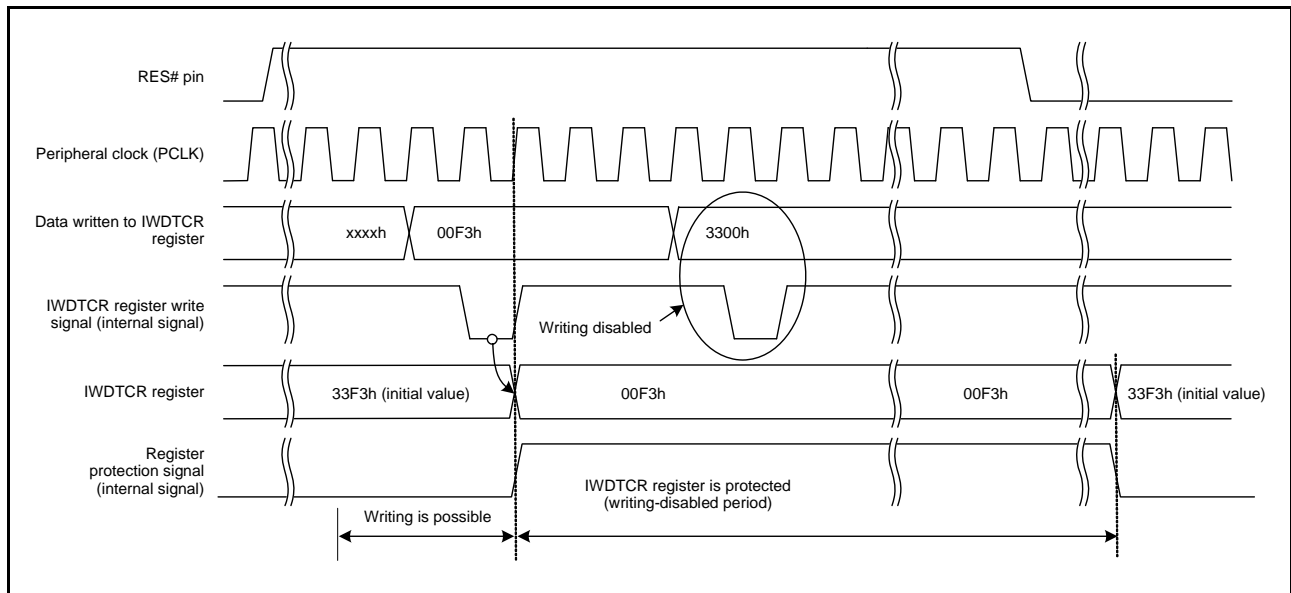


Figure 28.5 Control Waveforms Produced in Response to Writing to the IWDTCR

28.3.3 Refresh Operation

The down-counter is refreshed and starts operation (counting is started by refreshing) by writing the values 00h and then FFh to the IWDt refresh register (IWDTRR). If a value other than FFh is written after 00h, the down-counter is not refreshed. After such invalid writing, correct refreshing is performed by again writing 00h and then FFh to the IWDt refresh register (IWDTRR).

When writing is done in the order of 00h (first time) → 00h (second time), and if FFh is written after that, the writing order 00h → FFh is satisfied; writing 00h (n-1-th time) → 00h (n-th time) → FFh is valid and correct refreshing will be done. Even when the first value written before 00h is not 00h, correct refreshing will be done if the operation contains the set of writing 00h → FFh. Moreover, even if a register other than IWDTRR is accessed or IWDTRR is read between writing 00h and writing FFh to IWDTRR, correct refreshing will be done.

[Sample sequences of writing that are valid for refreshing the counter]

- 00h→FFh
- 00h (n-1-th time) →00h (n-th time) →FFh
- 00h→access to another register or read from IWDTRR→FFh

[Sample sequences of writing that are not valid for refreshing the counter]

- 23h (a value other than 00h) →FFh
- 00h→54h (a value other than FFh)
- 00h→AAh (00h and a value other than FFh) →FFh

Even when 00h is written to IWDTRR outside the refresh-permitted period, if FFh is written to IWDTRR in the refresh-permitted period, the writing sequence is valid and refreshing will be done.

After FFh is written to the IWDTRR register, refreshing the down-counter requires up to four cycles of the signal for counting (the clock division ratio selection (the clock division ratio selection (IWDTCR.CKS[3:0]) bits determine how many cycles of the IWDt-dedicated clock (IWDTCCLK) make up one cycle for counting). Therefore, writing FFh to the IWDTRR should be completed four-count cycles before the end position of the refresh-permitted period or a counter underflow. The value of the down-counter can be checked by the counter bits (IWDTSR.CNTVAL[13:0]).

[Sample refreshing timings]

- When the window start position is set to 1FFFh, even if 00h is written to IWDTRR before 1FFFh is reached (2002h, for example), refreshing is done if FFh is written to IWDTRR after the value of the IWDTSR.CNTVAL[13:0] bits has reached 1FFFh.
- When the window end position is set to 1FFFh, refreshing is done if 2003h (four-count cycles before 1FFFh) or a greater value is read from the IWDTSR.CNTVAL[13:0] bits immediately after writing 00h → FFh to IWDTRR.
- When the refresh-permitted period continues until count 0000h, refreshing can be done immediately before an underflow. In this case, if 0003h (four-count cycles before an underflow) or a greater value is read from the IWDTSR.CNTVAL[13:0] bits immediately after writing 00h → FFh to IWDTRR, no underflow occurs and refreshing is done.

Figure 28.6 shows the IWDT refresh-operation waveforms when $PCLK > IWDTCLK$ and clock division ratio = $IWDTCLK$.

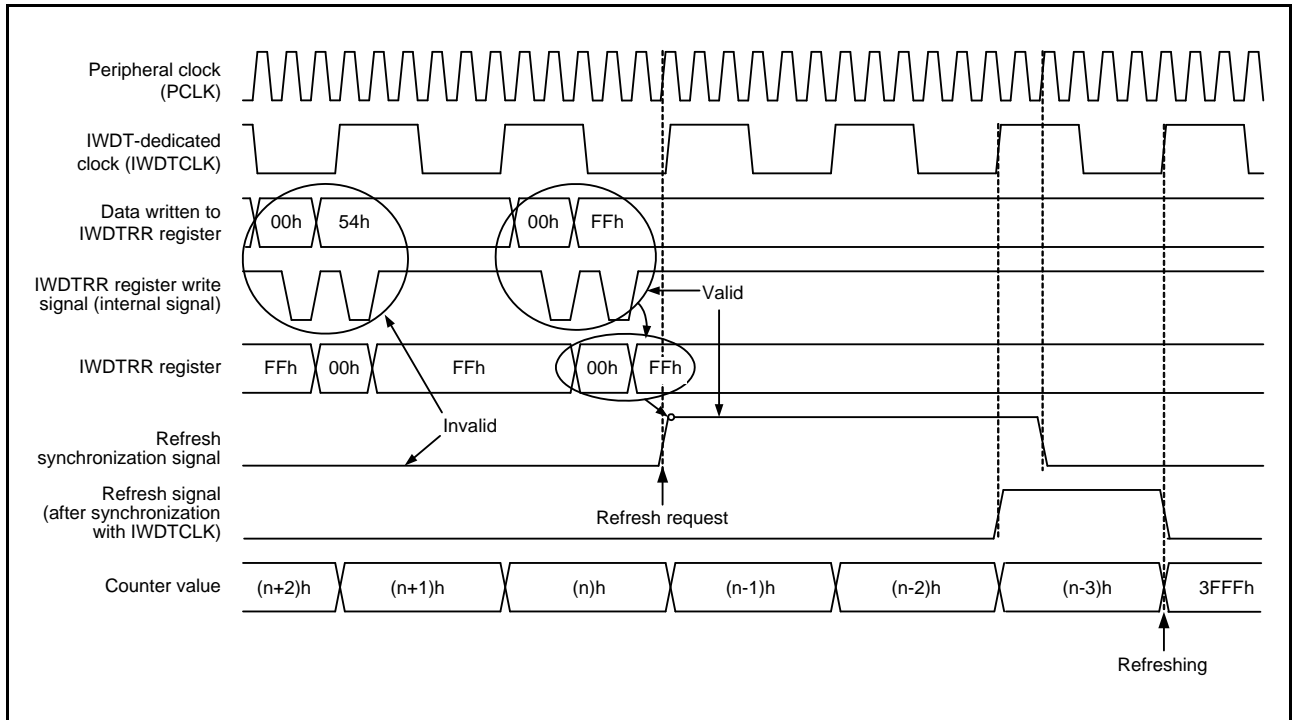


Figure 28.6 IWDT Refresh Operation Waveforms (IWDTCR.CKS[3:0] = 0000b, IWDTCR.TOPS[1:0] = 11b)

28.3.4 Status Flags

The refresh error (IWDTSR.REFEF) and underflow (IWDTSR.UNDF) flags retain the source of the reset signal output from the IWDT or the source of the interrupt request from the IWDT.

Thus, after release from the reset state or interrupt request generation, read the IWDTSR.REFEF and IWDTSR.UNDF flags to check for the reset or interrupt source.

For each flag, writing 0 clears the bit and writing 1 has no effect.

Leaving the status flags unchanged does not affect operation. If the flags are not cleared, at the time of the next reset or interrupt request from the IWDT, the earlier reset or interrupt source is cleared and the new reset or interrupt source is written.

After 0 is written to each flag, up to three IWDTCLK cycles and two PCLK cycles are required before the value is reflected.

28.3.5 Reset Output

When the reset interrupt selection (IWDTSCR.RSTIRQS) bit is set to 1 in register start mode or when the IWDT reset interrupt request select (OFS0.IWDRSTIRQS) bit in option function select register 0 (OFS0) is set to 1 in auto-start mode, a reset signal is output for one-count cycle when an underflow in the down-counter or a refresh error occurs.

In register start mode, the down-counter is initialized (all bits cleared to 0) and kept in that state after assertion of the reset signal. After the reset is canceled and the program is restarted, the counter is set up again and counting down is started by refreshing.

In auto-start mode, counting down automatically starts after the reset output.

28.3.6 Interrupt Source

When the reset interrupt selection (IWDTRCR.RSTIRQS) bit is set to 0 in register start mode or when the IWDT reset interrupt request select (OFS0.IWDTRSTIRQS) bit in option function select register 0 (OFS0) is set to 0 in auto-start mode, a non-maskable interrupt (WUNI) signal is output when an underflow in the down-counter or a refresh error occurs.

Table 28.4 IWDT Interrupt Source

Name	Interrupt Source	DTC Activation	DMAC Activation
WUNI	Down-counter underflow Refresh error	Not possible	Not possible

28.3.7 Reading the Down-Counter Value

As the down-counter in IWDT-dedicated clock (IWDTCLK), the counter value cannot be read directly. The IWDT synchronizes the counter value with the peripheral clock (PCLK) and stores it in the down-counter value (IWDTSR.CNTVAL[13:0]) bits of the IWDT status register. Thus, the counter value can be checked indirectly through the IWDTSR.CNTVAL[13:0] bits.

Reading the down-counter value requires multiple PCLK clock cycles (up to four clock cycles), and the read counter value may differ from the actual down-counter value by a value of one count.

Figure 28.7 shows the processing for reading the IWDT down-counter value when $PCLK > IWDTCLK$ and clock division ratio = IWDTCLK.

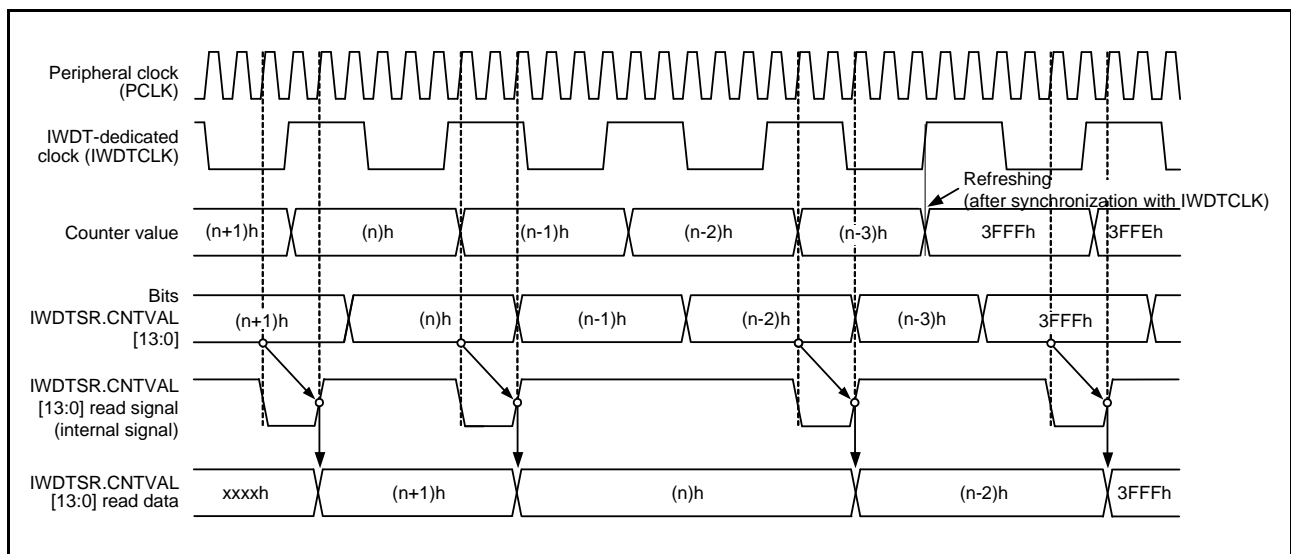


Figure 28.7 Processing for Reading IWDT Down-Counter Value (IWDTCR.CKS[3:0] = 0000b, IWDTCR.TOPS[1:0] = 11b)

28.3.8 Correspondence between Option Function Select Register 0 (OFS0) and IWDT Registers

Table 28.5 lists the correspondence between option function select register 0 (OFS0) and the IWDT registers (IWDT control register (IWDTCR), IWDT reset control register (IWDTRCR), and IWDT count stop control register (IWDCSTPR)) regarding control of the down-counter, reset or interrupt request output, and count stop function. Control can be switched between option function select register 0 (OFS0) and the IWDT registers (IWDTCR, IWDTRCR, and IWDCSTPR) through the setting of the IWDT start mode select bit (OFS0.IWDTSTRT) in option function select register 0 (OFS0).

Note that option function select register 0 (OFS0) setting should be kept unchanged during IWDT operation. For details on option function select register 0 (OFS0), see section 7.2.1, Option Function Select Register 0 (OFS0).

Table 28.5 Correspondence between Option Function Select Register 0 (OFS0) and IWDT Registers

Target of Control	Function	OFS0 Register (Effective in Auto-Start Mode) OFS0.IWDTSTRT = 0	IWDT Registers (Effective in Register Start Mode) OFS0.IWDTSTRT = 1
Down-counter	Time-out period selection	OFS0.IWDTTOPS[1:0]	IWDTCR.TOPS[1:0]
	Clock division ratio selection	OFS0.IWDTCKS[3:0]	IWDTCR.CKS[3:0]
	Window start position selection	OFS0.IWDRPSS[1:0]	IWDTCR.RPSS[1:0]
	Window end position selection	OFS0.IWDRPES[1:0]	IWDTCR.RPES[1:0]
Reset output or interrupt request output	Reset output or interrupt request output selection	OFS0.IWDRSTIRQS	IWDRCR.RSTIRQS
Count stop	Sleep mode count stop selection	OFS0.IWDTSLCSTP	IWDCSTPR.SLCSTP

28.4 Link Operation by ELC

IWDT is capable of link operation for the preliminarily-setting module when interrupt request signal is used as an event signal by the event link controller (ELC). The event signal is output by the down-counter underflow and refresh error. An event signal is output regardless of the setting of the reset interrupt request selection bit (IWDTRCR.RSTIRQS) in register start mode or auto-start mode. An event signal can also be output upon generation of the next interrupt source while the refresh error flag (IWDTSR.REFEF) or underflow flag (IWDTSR.UNDFE) is 1.

For details, see section 18, Event Link Controller (ELC).

28.5 Usage Notes

28.5.1 Refresh Operations

When making the settings to control the timing of refreshing, consider variations in the range of errors due to the accuracy of the PCLK and IWDTCLK and set values which ensure that refreshing is possible.

29. Serial Communications Interface (SCIc, SCId)

The RX210 Group has 13 independent serial communications interface (SCI) channels. The SCI is configured as SCIc module (SCI0 to SCI11) and SCId module (SCI12).

The SCIc (SCI0 to SCI11) can handle both asynchronous and clock synchronous serial communications.

Asynchronous serial data communications can be carried out with standard asynchronous communications chips such as a Universal Asynchronous Receiver/Transmitter (UART) or Asynchronous Communications Interface Adapter (ACIA). As an extended function in asynchronous communications mode, the SCI also supports smart card (IC card) interfaces conforming to ISO/IEC 7816-3 (standard for Identification Cards). Single-master operation as a simple I²C bus interface and simple SPI interfaces are also supported.

As well as the functions of the SCIc module, the SCId module (SCI12) supports an extended serial protocol with a structure formed from Start Frames and Information Frames.

29.1 Overview

Table 29.1 lists the specifications of the SCIc module, Table 29.2 lists the specifications of the SCId module, and Table 29.3 lists the specifications of the individual SCI channels.

Figure 29.1 is a block diagram depicting SCI0 to SCI4 and SCI7 to SCI11. Figure 29.2 is a block diagram depicting SCI5 and SCI6. Figure 29.3 is a block diagram depicting SCI12 (the SCId module).

Table 29.1 Specifications of SCIc (1/2)

Item	Description	
Serial communications modes	<ul style="list-style-type: none"> Asynchronous operation Clock synchronous operation Smart card interface Simple I²C bus Simple SPI bus 	
Transfer speed	Bit rate specifiable with on-chip baud rate generator.	
Full-duplex communications	Transmitter: Enables continuous transmission by double-buffering. Receiver: Enables continuous reception by double-buffering.	
I/O pins	See Table 29.4 to Table 29.6	
Data transfer	Selectable as LSB-first or MSB-first transfer*1	
Interrupt sources	Transmit-end, transmit-data-empty, receive-data-full, and receive error Completion of generation of a start condition, restart condition, or stop condition (for simple I ² C mode)	
Power consumption reduction function	Module stop state can be set for each channel.	
Asynchronous mode	Data length	7 or 8 bits
	Transmission stop bit	1 or 2 bits
	Parity	Even, odd, or none
	Receive error detection	Parity, overrun, and framing errors
	Hardware flow control	CTSn and RTSn pins can be used in transfer control.
	Break detection	Break can be detected by reading RXDn pin level directly in case of a framing error
	Clock source	Selectable from internal or external clock Enables transfer rate clock input from TMR (SCI5 and SCI6)
	Multi-processor communications function	Serial communication among multiple processors
Clock synchronous mode	Noise cancellation	The signal paths from input on the RXDn pins incorporate digital noise filters.
	Data length	8 bits
	Receive error detection	Overrun errors
	Hardware flow control	CTSn and RTSn pins can be used in transfer control.

Table 29.1 Specifications of SCIc (2/2)

Item	Description	
Smart card interface mode	Error processing	An error signal can be automatically transmitted on detection of a parity error during reception
		Data can be automatically re-transmitted on receiving an error signal during transmission
Simple I ² C mode	Data type	Both direct convention and inverse convention are supported.
	Transfer format	I ² C bus format (MSB-first transfer only)
	Operating mode	Master (single-master operation only)
	Transfer rate	Up to 384 kbps
Simple SPI bus	Noise cancellation	The signal paths from input on the SSCLn and SSDAn pins incorporate digital noise filters, and the interval for noise cancellation is adjustable.
	Data length	Eight bits
	Detection of errors	Overrun errors
	SS input pin function	Applying the high level to the SS# pin can cause the output pins to enter the high-impedance state.
Event link function (SCI5 only)	Clock settings	Four kinds of settings for clock phase and clock sense are selectable.
		Error (receive error or error signal detection) event output
		Receive data full event output
		Transmit data empty event output
		Transmit end event output

Note 1. In simple I²C mode, only MSB-first is available.

Table 29.2 Specifications of SCId (1/2)

Item	Description	
Serial communications modes	<ul style="list-style-type: none"> • Asynchronous operation • Clock synchronous operation • Smart card interface • Simple I²C bus • Simple SPI bus 	
Transfer speed	Bit rate specifiable with on-chip baud rate generator.	
Full-duplex communications	Transmitter: Enables continuous transmission by double-buffering. Receiver: Enables continuous reception by double-buffering.	
Input/output pins	See Table 29.4 to Table 29.7.	
Data transfer	Selectable as LSB-first or MSB-first transfer*1	
Interrupt sources	Transmit-end, transmit-data-empty, receive-data-full, and receive error Completion of generation of a start condition, restart condition, or stop condition (for simple I ² C mode)	
Power consumption reduction function	Module stop state can be set.	
Asynchronous mode	Data length	7 or 8 bits
	Transmission stop bit	1 or 2 bits
	Parity	Even, odd, or none
	Receive error detection	Parity, overrun, and framing errors
	Hardware flow control	CTSn and RTSn pins can be used in transfer control.
	Break detection	Break can be detected by reading RXDn pin level directly in case of a framing error
	Clock source	Selectable from internal or external clock Enables transfer rate clock input from TMR
	Multi-processor communications function	Serial communication among multiple processors
Noise cancellation	The signal paths from input on the RXDn pins incorporate digital noise filters.	

Table 29.2 Specifications of SCId (2/2)

Item	Description	
Clock synchronous mode	Data length	8 bits
	Receive error detection	Overrun errors
	Hardware flow control	CTSn and RTSn pins can be used in transfer control.
Smart card interface mode	Error processing	An error signal can be automatically transmitted on detection of a parity error during reception Data can be automatically re-transmitted on receiving an error signal during transmission
	Data type	Both direct convention and inverse convention are supported.
Simple I ² C mode	Transfer format	I ² C bus format (MSB-first transfer only)
	Operating mode	Master (single-master operation only)
	Transfer rate	Up to 384 kbps
	Noise cancellation	The signal paths from input on the SSCLn and SSDAn pins incorporate digital noise filters, and the interval for noise cancellation is adjustable.
Simple SPI bus	Data length	8 bits
	Detection of errors	Overrun errors
	SS input pin function	Applying the high level to the SS# pin can cause the output pins to enter the high-impedance state.
	Clock settings	Four kinds of settings for clock phase and clock sense are selectable.
Extended serial mode	Start Frame transmission	<ul style="list-style-type: none"> Output of a low level as the Break Field over a specified width and generation of interrupts on completion Detection of bus collisions and the generation of interrupts on detection
	Start Frame reception	<ul style="list-style-type: none"> Detection of the Break Field low width and generation of an interrupt on detection Comparison of Control Fields 0 and 1 and generation of an interrupt when the two match Two kinds of data for comparison (primary and secondary) can be set in Control Field 1. A priority interrupt bit can be set in Control Field 1. Handling of Start Frames that do not include a Break Field Handling of Start Frames that do not include a Control Field Function for measuring bit rates
	I/O control function	<ul style="list-style-type: none"> Selectable polarity for TXDX12 and RXDX12 signals Selection of a digital filter for RXDX12 Half-duplex operation employing RXDX12 and TXDX12 signals multiplexed on the same pin Selectable timing for the sampling of data received through RXDX12 Signals received on RXDX12 can be passed though to SCIc when the extended serial mode control section is off.
	Timer function	<ul style="list-style-type: none"> Usable as a reloading timer

Note 1. In simple I²C mode, only MSB-first is available.

Table 29.3 List of Functions of SCI Channels

Item	SCI0 to SCI4, SCI7 to SCI11	SCI5	SCI6	SCI12
Asynchronous mode	○	○	○	○
Clock synchronous mode	○	○	○	○
Smart card interface mode	○	○	○	○
Simple I ² C mode	○	○	○	○
Simple SPI bus	○	○	○	○
Extended serial mode	—	—	—	○
TMR clock input	—	○	○	○
Event link function	—	○	—	—

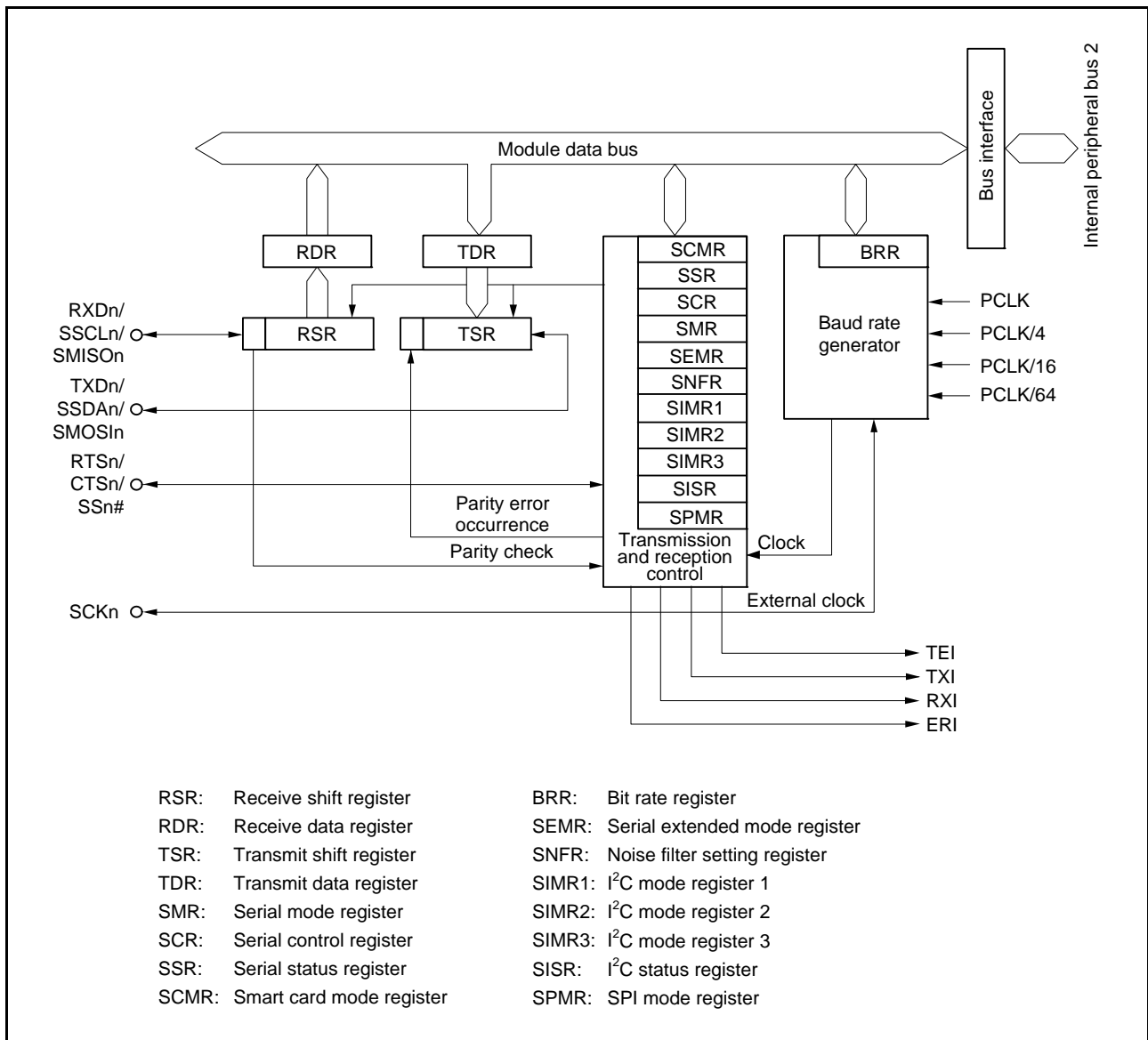


Figure 29.1 Block Diagram of SCI0 to SCI4 and SCI7 to SCI11

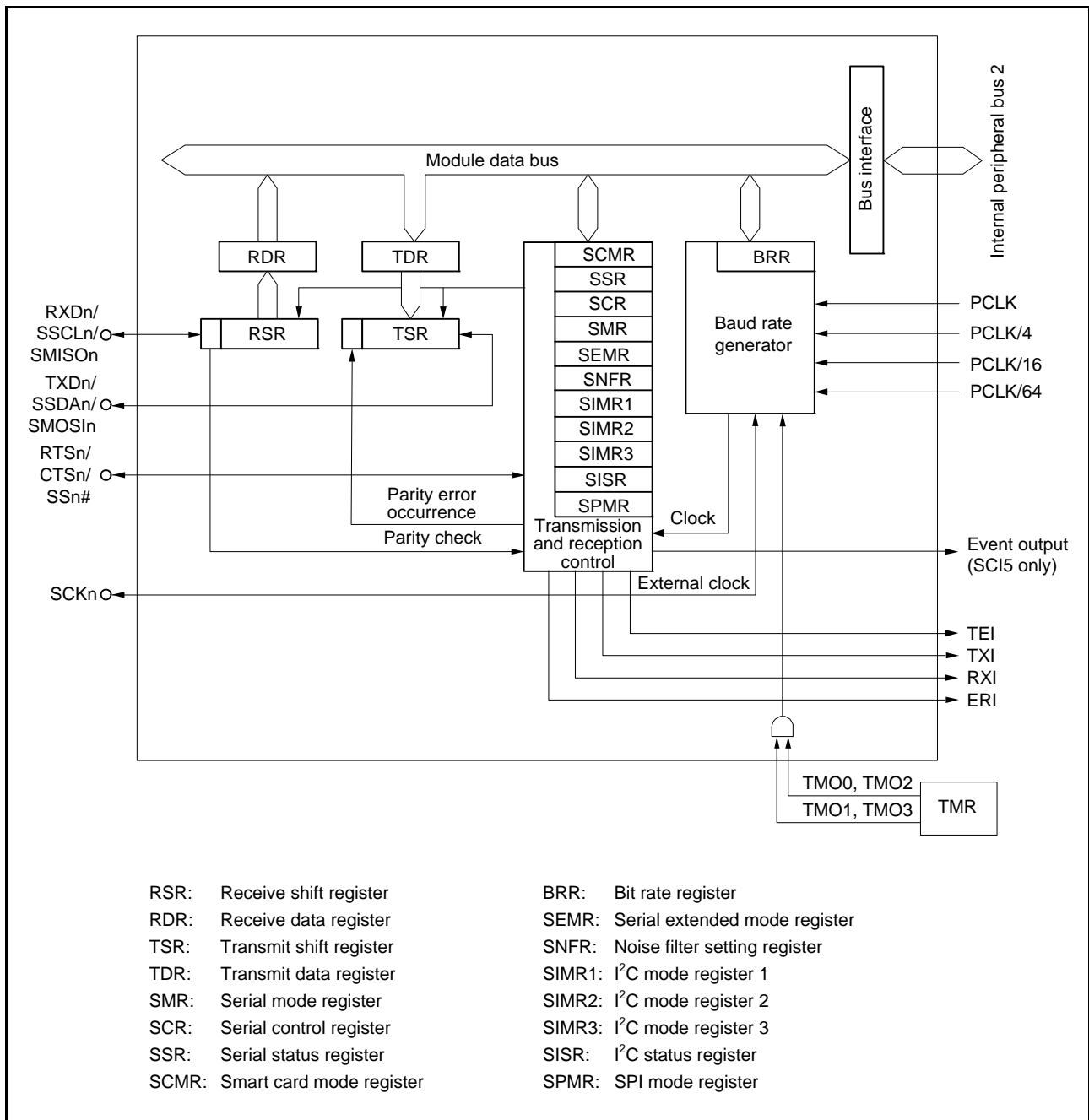


Figure 29.2 Block Diagram of SCI5 and SCI6

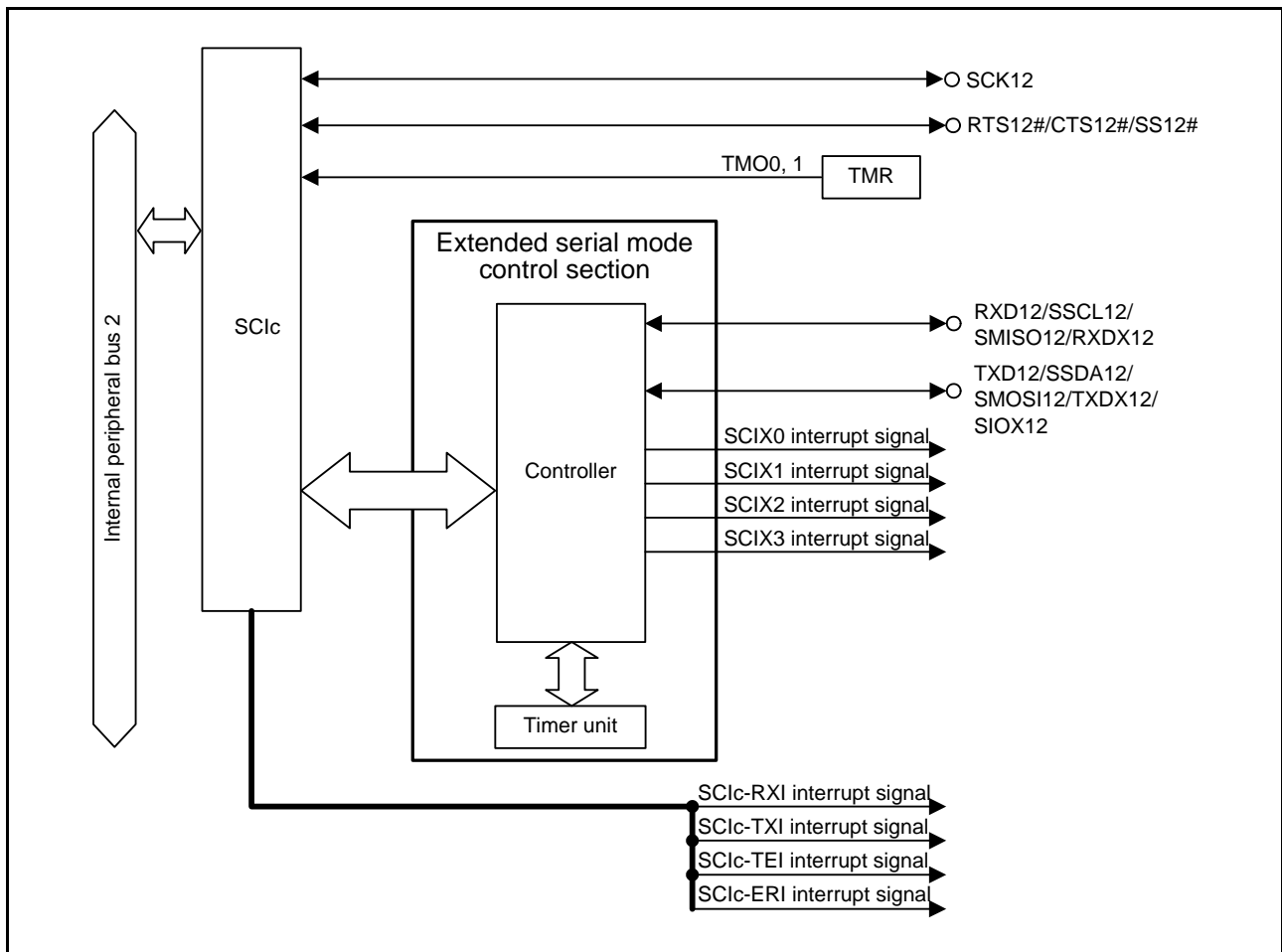


Figure 29.3 Block Diagram of SCI2 (SC1d)

Table 29.4 to Table 29.7 list the pin configuration of the SCIs for the individual modes.

Table 29.4 Input and Output Pins of the SCIs (Asynchronous/Clock Synchronous Modes) (1/2)

Channel	Pin Name	I/O	Function
SCI0	SCK0	I/O	SCI0 clock input/output
	RXD0	Input	SCI0 receive data input
	TXD0	Output	SCI0 transmit data output
	CTS0#/RTS0#	I/O	SCI0 transfer start control input/output
SCI1	SCK1	I/O	SCI1 clock input/output
	RXD1	Input	SCI1 receive data input
	TXD1	Output	SCI1 transmit data output
	CTS1#/RTS1#	I/O	SCI1 transfer start control input/output
SCI2	SCK2	I/O	SCI2 clock input/output
	RXD2	Input	SCI2 receive data input
	TXD2	Output	SCI2 transmit data output
	CTS2#/RTS2#	I/O	SCI2 transfer start control input/output
SCI3	SCK3	I/O	SCI3 clock input/output
	RXD3	Input	SCI3 receive data input
	TXD3	Output	SCI3 transmit data output
	CTS3#/RTS3#	I/O	SCI3 transfer start control input/output
SCI4	SCK4	I/O	SCI4 clock input/output
	RXD4	Input	SCI4 receive data input
	TXD4	Output	SCI4 transmit data output
	CTS4#/RTS4#	I/O	SCI4 transfer start control input/output
SCI5	SCK5	I/O	SCI5 clock input/output
	RXD5	Input	SCI5 receive data input
	TXD5	Output	SCI5 transmit data output
	CTS5#/RTS5#	I/O	SCI5 transfer start control input/output
SCI6	SCK6	I/O	SCI6 clock input/output
	RXD6	Input	SCI6 receive data input
	TXD6	Output	SCI6 transmit data output
	CTS6#/RTS6#	I/O	SCI6 transfer start control input/output
SCI7	SCK7	I/O	SCI7 clock input/output
	RXD7	Input	SCI7 receive data input
	TXD7	Output	SCI7 transmit data output
	CTS7#/RTS7#	I/O	SCI7 transfer start control input/output
SCI8	SCK8	I/O	SCI8 clock input/output
	RXD8	Input	SCI8 receive data input
	TXD8	Output	SCI8 transmit data output
	CTS8#/RTS8#	I/O	SCI8 transfer start control input/output
SCI9	SCK9	I/O	SCI9 clock input/output
	RXD9	Input	SCI9 receive data input
	TXD9	Output	SCI9 transmit data output
	CTS9#/RTS9#	I/O	SCI9 transfer start control input/output

Table 29.4 Input and Output Pins of the SCIs (Asynchronous/Clock Synchronous Modes) (2/2)

Channel	Pin Name	I/O	Function
SCI10	SCK10	I/O	SCI10 clock input/output
	RXD10	Input	SCI10 receive data input
	TXD10	Output	SCI10 transmit data output
	CTS10#/RTS10#	I/O	SCI10 transfer start control input/output
SCI11	SCK11	I/O	SCI11 clock input/output
	RXD11	Input	SCI11 receive data input
	TXD11	Output	SCI11 transmit data output
	CTS11#/RTS11#	I/O	SCI11 transfer start control input/output
SCI12	SCK12	I/O	SCI12 clock input/output
	RXD12	Input	SCI12 receive data input
	TXD12	Output	SCI12 transmit data output
	CTS12#/RTS12#	I/O	SCI12 transfer start control input/output

Table 29.5 Pin Configuration of SCI (Simple I²C Mode)

Channel	Pin Name	I/O	Function
SCI0	SSCL0	I/O	SCI0 I ² C clock input/output
	SSDA0	I/O	SCI0 I ² C data input/output
SCI1	SSCL1	I/O	SCI1 I ² C clock input/output
	SSDA1	I/O	SCI1 I ² C data input/output
SCI2	SSCL2	I/O	SCI2 I ² C clock input/output
	SSDA2	I/O	SCI2 I ² C data input/output
SCI3	SSCL3	I/O	SCI3 I ² C clock input/output
	SSDA3	I/O	SCI3 I ² C data input/output
SCI4	SSCL4	I/O	SCI4 I ² C clock input/output
	SSDA4	I/O	SCI4 I ² C data input/output
SCI5	SSCL5	I/O	SCI5 I ² C clock input/output
	SSDA5	I/O	SCI5 I ² C data input/output
SCI6	SSCL6	I/O	SCI6 I ² C clock input/output
	SSDA6	I/O	SCI6 I ² C data input/output
SCI7	SSCL7	I/O	SCI7 I ² C clock input/output
	SSDA7	I/O	SCI7 I ² C data input/output
SCI8	SSCL8	I/O	SCI8 I ² C clock input/output
	SSDA8	I/O	SCI8 I ² C data input/output
SCI9	SSCL9	I/O	SCI9 I ² C clock input/output
	SSDA9	I/O	SCI9 I ² C data input/output
SCI10	SSCL10	I/O	SCI10 I ² C clock input/output
	SSDA10	I/O	SCI10 I ² C data input/output
SCI11	SSCL11	I/O	SCI11 I ² C clock input/output
	SSDA11	I/O	SCI11 I ² C data input/output
SCI12	SSCL12	I/O	SCI12 I ² C clock input/output
	SSDA12	I/O	SCI12 I ² C data input/output

Table 29.6 Pin Configuration of SCI (Simple SPI Mode) (1/2)

Channel	Pin Name	I/O	Function
SCI0	SCK0	I/O	SCI0 clock input/output
	SMISO0	I/O	SCI0 slave transmit data input/output
	SMOSI0	I/O	SCI0 master transmit data input/output
	SS0#	Input	SCI0 chip select input
SCI1	SCK1	I/O	SCI1 clock input/output
	SMISO1	I/O	SCI1 slave transmit data input/output
	SMOSI1	I/O	SCI1 master transmit data input/output
	SS1#	Input	SCI1 chip select input
SCI2	SCK2	I/O	SCI2 clock input/output
	SMISO2	I/O	SCI2 slave transmit data input/output
	SMOSI2	I/O	SCI2 master transmit data input/output
	SS2#	Input	SCI2 chip select input
SCI3	SCK3	I/O	SCI3 clock input/output
	SMISO3	I/O	SCI3 slave transmit data input/output
	SMOSI3	I/O	SCI3 master transmit data input/output
	SS3#	Input	SCI3 chip select input
SC4	SCK4	I/O	SCI4 clock input/output
	SMISO4	I/O	SCI4 slave transmit data input/output
	SMOSI4	I/O	SCI4 master transmit data input/output
	SS4#	Input	SCI4 chip select input
SCI5	SCK5	I/O	SCI5 clock input/output
	SMISO5	I/O	SCI5 slave transmit data input/output
	SMOSI5	I/O	SCI5 master transmit data input/output
	SS5#	Input	SCI5 chip select input
SCI6	SCK6	I/O	SCI6 clock input/output
	SMISO6	I/O	SCI6 slave transmit data input/output
	SMOSI6	I/O	SCI6 master transmit data input/output
	SS6#	Input	SCI6 chip select input
SCI7	SCK7	I/O	SCI7 clock input/output
	SMISO7	I/O	SCI7 slave transmit data input/output
	SMOSI7	I/O	SCI7 master transmit data input/output
	SS7#	Input	SCI7 chip select input
SCI8	SCK8	I/O	SCI8 clock input/output
	SMISO8	I/O	SCI8 slave transmit data input/output
	SMOSI8	I/O	SCI8 master transmit data input/output
	SS8#	Input	SCI8 chip select input
SCI9	SCK9	I/O	SCI9 clock input/output
	SMISO9	I/O	SCI9 slave transmit data input/output
	SMOSI9	I/O	SCI9 master transmit data input/output
	SS9#	Input	SCI9 chip select input
SCI10	SCK10	I/O	SCI10 clock input/output
	SMISO10	I/O	SCI10 slave transmit data input/output
	SMOSI10	I/O	SCI10 master transmit data input/output
	SS10#	Input	SCI10 chip select input

Table 29.6 Pin Configuration of SCI (Simple SPI Mode) (2/2)

Channel	Pin Name	I/O	Function
SCI11	SCK11	I/O	SCI11 clock input/output
	SMISO11	I/O	SCI11 slave transmit data input/output
	SMOSI11	I/O	SCI11 master transmit data input/output
	SS11#	Input	SCI11 chip select input
SCI12	SCK12	I/O	SCI12 clock input/output
	SMISO12	I/O	SCI12 slave transmit data input/output
	SMOSI12	I/O	SCI12 master transmit data input/output
	SS12#	Input	SCI12 chip select input

Table 29.7 Pin Configuration of SCI (Extended Serial Mode)

Channel	Pin Name	I/O	Function
SCI12	RDX12	Input	SCI12 receive data input
	TXDX12	Output	SCI12 transmit data output
	SIOX12	I/O	SCI12 transfer data input/output

29.2 Register Descriptions

29.2.1 Receive Shift Register (RSR)

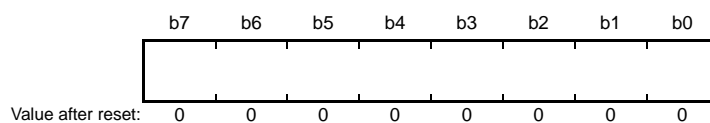
RSR is a shift register which is used to receive serial data input from the RXDn pin and converts it into parallel data.

When one frame of data has been received, it is transferred to RDR automatically.

RSR cannot be directly accessed by the CPU.

29.2.2 Receive Data Register (RDR)

Address(es): SCI0.RDR 0008 A005h, SCI1.RDR 0008 A025h, SCI2.RDR 0008 A045h, SCI3.RDR 0008 A065h,
SCI4.RDR 0008 A085h, SCI5.RDR 0008 A0A5h, SCI6.RDR 0008 A0C5h, SCI7.RDR 0008 A0E5h,
SCI8.RDR 0008 A105h, SCI9.RDR 0008 A125h, SCI10.RDR 0008 A145h, SCI11.RDR 0008 A165h,
SCI12.RDR 0008 B305h



RDR is an 8-bit register that stores receive data.

When the SCI has received one frame of serial data, it transfers the received serial data from RSR to RDR where it is stored. This allows RSR to receive the next data.

Since RSR and RDR function as a double buffer in this way, continuous receive operations can be performed.

Read RDR only once after a receive data full interrupt (RXI) has occurred. Note that if next one frame of data is received before reading receive data from RDR, an overrun error occurs.

RDR cannot be written to by the CPU.

29.2.3 Transmit Data Register (TDR)

Address(es): SCI0.TDR 0008 A003h, SCI1.TDR 0008 A023h, SCI2.TDR 0008 A043h, SCI3.TDR 0008 A063h,
SCI4.TDR 0008 A083h, SCI5.TDR 0008 A0A3h, SCI6.TDR 0008 A0C3h, SCI7.TDR 0008 A0E3h,
SCI8.TDR 0008 A103h, SCI9.TDR 0008 A123h, SCI10.TDR 0008 A143h, SCI11.TDR 0008 A163h,
SCI12.TDR 0008 B303h



TDR is an 8-bit register that stores transmit data.

When the SCI detects that TSR is empty, it transfers the transmit data written in TDR to TSR and starts transmission.

The double-buffered structures of TDR and TSR enable continuous serial transmission. If the next transmit data has already been written to TDR when one frame of data is transmitted, the SCI transfers the written data to TSR to continue transmission.

The CPU is able to read from or write to TDR at any time. Only write data for transmission to TDR once after each instance of the transmit data empty interrupt (TXI).

29.2.4 Transmit Shift Register (TSR)

TSR is a shift register that transmits serial data.

To perform serial data transmission, the SCI first automatically transfers transmit data from TDR to TSR, and then sends the data to the TXDn pin.

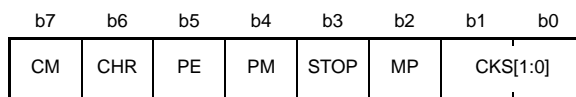
TSR cannot be directly accessed by the CPU.

29.2.5 Serial Mode Register (SMR)

Note: • Some bits in SMR have different functions in serial communications interface mode and smart card interface mode.

(1) Serial Communications Interface Mode (SMIF in SCMR = 0)

Address(es): SCI0.SMR 0008 A000h, SCI1.SMR 0008 A020h, SCI2.SMR 0008 A040h, SCI3.SMR 0008 A060h, SCI4.SMR 0008 A080h, SCI5.SMR 0008 A0A0h, SCI6.SMR 0008 A0C0h, SCI7.SMR 0008 A0E0h, SCI8.SMR 0008 A100h, SCI9.SMR 0008 A120h, SCI10.SMR 0008 A140h, SCI11.SMR 0008 A160h, SCI12.SMR 0008 B300h



Value after reset: 0 0 0 0 0 0 0 0

Bit	Symbol	Bit Name	Description	R/W
b1, b0	CKS[1:0]	Clock Select	b1 b0 0 0: PCLK clock (n = 0)*1 0 1: PCLK/4 clock (n = 1)*1 1 0: PCLK/16 clock (n = 2)*1 1 1: PCLK/64 clock (n = 3)*1	R/W*4
b2	MP	Multi-Processor Mode	(Valid only in asynchronous mode) 0: Multi-processor communications function is disabled 1: Multi-processor communications function is enabled	R/W*4
b3	STOP	Stop Bit Length	(Valid only in asynchronous mode) 0: 1 stop bit 1: 2 stop bits	R/W*4
b4	PM	Parity Mode	(Valid only when the PE bit is 1 in asynchronous mode) 0: Selects even parity 1: Selects odd parity	R/W*4
b5	PE	Parity Enable	(Valid only in asynchronous mode) <ul style="list-style-type: none"> When transmitting <ul style="list-style-type: none"> 0: Parity bit addition is not performed 1: The parity bit is added When receiving <ul style="list-style-type: none"> 0: Parity bit checking is not performed 1: The parity bit is checked 	R/W*4
b6	CHR	Character Length	(Valid only in asynchronous mode) 0: Selects 8 bits as the data length*2 1: Selects 7 bits as the data length*3	R/W*4
b7	CM	Communications Mode	0: Asynchronous mode 1: Clock synchronous mode	R/W*4

Note 1. n is the decimal notation of the value of n in BRR (see section 29.2.9, Bit Rate Register (BRR)).

Note 2. In clock synchronous mode, this bit setting is invalid and a fixed data length of 8 bits is used.

Note 3. LSB-first is fixed and the MSB (bit 7) in TDR is not transmitted in transmission.

Note 4. Writable only when TE in SCR = 0 and RE in SCR = 0 (both serial transmission and reception are disabled).

CKS[1:0] Bits (Clock Select)

These bits select the clock source for the on-chip baud rate generator.

For the relation between the settings of these bits and the baud rate, see section 29.2.9, Bit Rate Register (BRR).

MP Bit (Multi-Processor Mode)

Disables/enables the multi-processor communications function. The settings of the PE bit and PM bit are invalid in multi-processor mode.

STOP Bit (Stop Bit Length)

Selects the stop bit length in transmission.

In reception, only the first stop bit is checked regardless of this bit setting. If the second stop bit is 0, it is treated as the start bit of the next transmit frame.

PM Bit (Parity Mode)

Selects the parity mode (even or odd) for transmission and reception.

The setting of the PM bit is invalid in multi-processor mode.

PE Bit (Parity Enable)

When this bit is set to 1, the parity bit is added to transmit data, and the parity bit is checked in reception.

Irrespective of the setting of the PE bit, the parity bit is not added or checked in multi-processor format.

CHR Bit (Character Length)

Selects the data length for transmission and reception.

In clock synchronous mode, a fixed data length of 8 bits is used.

CM Bit (Communications Mode)

Selects asynchronous or clock synchronous mode.

(2) Smart Card Interface Mode (SMIF in SCMR = 1)

Address(es): SCI0.SMR 0008 A000h, SCI1.SMR 0008 A020h, SCI2.SMR 0008 A040h, SCI3.SMR 0008 A060h,
 SCI4.SMR 0008 A080h, SCI5.SMR 0008 A0A0h, SCI6.SMR 0008 A0C0h, SCI7.SMR 0008 A0E0h,
 SCI8.SMR 0008 A100h, SCI9.SMR 0008 A120h, SCI10.SMR 0008 A140h, SCI11.SMR 0008 A160h,
 SCI12.SMR 0008 B300h

b7	b6	b5	b4	b3	b2	b1	b0
GM	BLK	PE	PM	BCP[1:0]		CKS[1:0]	

Value after reset: 0 0 0 0 0 0 0 0

Bit	Symbol	Bit Name	Description	R/W
b1, b0	CKS[1:0]	Clock Select	b1 b0 0 0: PCLK clock (n = 0)*1 0 1: PCLK/4 clock (n = 1)*1 1 0: PCLK/16 clock (n = 2)*1 1 1: PCLK/64 clock (n = 3)*1	R/W*3
b3, b2	BCP[1:0]	Base Clock Pulse	Selects the number of base clock cycles in combination with the BCP2 bit in SCMR. Setting values in BCP2 bit in SCMR and BCP[1:0] bits in SMR: BCP2 b3 b2 0 0 0: 93 clock cycles (S = 93)*2 0 0 1: 128 clock cycles (S = 128)*2 0 1 0: 186 clock cycles (S = 186)*2 0 1 1: 512 clock cycles (S = 512)*2 1 0 0: 32 clock cycles (S = 32)*2 (Initial value) 1 0 1: 64 clock cycles (S = 64)*2 1 1 0: 372 clock cycles (S = 372)*2 1 1 1: 256 clock cycles (S = 256)*2	R/W*3
b4	PM	Parity Mode	(Valid only when the PE bit is 1 in asynchronous mode) 0: Selects even parity 1: Selects odd parity	R/W*3
b5	PE	Parity Enable	When this bit is set to 1, a parity bit is added to data for transmission, and the parity of received data is checked. Set this bit to 1 in smart card interface mode.	R/W*3
b6	BLK	Block Transfer Mode	0: Normal mode operation 1: Block transfer mode operation	R/W*3
b7	GM	GSM Mode	0: Normal mode operation 1: GSM mode operation	R/W*3

Note 1. n is the decimal notation of the value of n in BRR (see section 29.2.9, Bit Rate Register (BRR)).

Note 2. S is the value of S in BRR (see section 29.2.9, Bit Rate Register (BRR)).

Note 3. Writable only when TE in SCR = 0 and RE in SCR = 0 (both serial transmission and reception are disabled).

CKS[1:0] Bits (Clock Select)

These bits select the clock source for the on-chip baud rate generator.

For the relationship between the settings of these bits and the baud rate, see section 29.2.9, Bit Rate Register (BRR).

BCP[1:0] Bits (Base Clock Pulse)

These bits select the number of base clock cycles in a 1-bit data transfer time in smart card interface mode.

Set these bits in combination with the BCP2 bit in SCMR.

For details, see section 29.6.4, Receive Data Sampling Timing and Reception Margin.

PM Bit (Parity Mode)

Selects the parity mode for transmission and reception (even or odd).

For details on the usage of this bit in smart card interface mode, see section 29.6.2, Data Format (Except in Block Transfer Mode).

PE Bit (Parity Enable)

Set the PE bit to 1.

The parity bit is added to transmit data before transmission, and the parity bit is checked in reception.

BLK Bit (Block Transfer Mode)

Setting this bit to 1 allows block transfer mode operation.

For details, see section 29.6.3, Block Transfer Mode.

GM Bit (GSM Mode)

Setting this bit to 1 allows GSM mode operation.

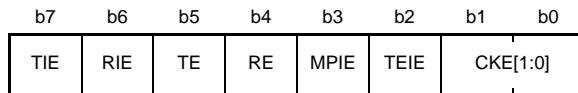
In GSM mode, the SSR.TEND flag set timing is put forward to 11.0 etu (elementary time unit = 1-bit transfer time) from the start and the clock output control function is appended. For details, see section 29.6.6, Serial Data Transmission (Except in Block Transfer Mode) and section 29.6.8, Clock Output Control.

29.2.6 Serial Control Register (SCR)

Note: • Some bits in SCR have different functions in serial communications interface mode and smart card interface mode.

(1) Serial Communications Interface Mode (SMIF in SCMR = 0)

Address(es): SCI0.SCR 0008 A002h, SCI1.SCR 0008 A022h, SCI2.SCR 0008 A042h, SCI3.SCR 0008 A062h,
SCI4.SCR 0008 A082h, SCI5.SCR 0008 A0A2h, SCI6.SCR 0008 A0C2h, SCI7.SCR 0008 A0E2h,
SCI8.SCR 0008 A102h, SCI9.SCR 0008 A122h, SCI10.SCR 0008 A142h, SCI11.SCR 0008 A162h,
SCI12.SCR 0008 B302h



Value after reset: 0 0 0 0 0 0 0 0

Bit	Symbol	Bit Name	Description	R/W
b1, b0	CKE[1:0]	Clock Enable	<ul style="list-style-type: none"> For SCI0 to SCI4 and SCI7 to SCI11 (Asynchronous mode) <ul style="list-style-type: none"> b1 b0 0 0: On-chip baud rate generator The SCKn pin is available for use as an I/O port in accord with the I/O port settings. 0 1: On-chip baud rate generator The clock with the same frequency as the bit rate is output from the SCKn pin. 1 x: External clock The clock with a frequency 16 times the bit rate should be input from the SCKn pin. Input a clock signal with a frequency eight times the bit rate when the SEMR.ABCS bit is 1. (Clock synchronous mode) <ul style="list-style-type: none"> b1 b0 0 x: Internal clock The SCKn pin functions as the clock output pin. 1 x: External clock The SCKn pin functions as the clock input pin. 	R/W*1
b1, b0	CKE[1:0]	Clock Enable	<ul style="list-style-type: none"> For SCI5, SCI6, and SCI12 (Asynchronous mode) <ul style="list-style-type: none"> b1 b0 0 0: On-chip baud rate generator The SCKn pin is available for use as an I/O port in accord with the I/O port settings. 0 1: On-chip baud rate generator The clock with the same frequency as the bit rate is output from the SCKn pin. 1 x: External clock or TMR clock <ul style="list-style-type: none"> When an external clock is used, the clock with a frequency 16 times the bit rate should be input from the SCKn pin. Input a clock signal with a frequency eight times the bit rate when the SEMR.ABCS bit is 1. The TMR clock can be used. (Clock synchronous mode) <ul style="list-style-type: none"> b1 b0 0 x: Internal clock The SCKn pin functions as the clock output pin. 1 x: External clock The SCKn pin functions as the clock input pin. 	R/W*1
b2	TEIE	Transmit End Interrupt Enable	0: A TEI interrupt request is disabled 1: A TEI interrupt request is enabled	R/W

Bit	Symbol	Bit Name	Description	R/W
b3	MPIE	Multi-Processor Interrupt Enable	(Valid in asynchronous mode when SMR.MP = 1) 0: Normal reception 1: When the data with the multi-processor bit set to 0 is received, the data is not read, and setting the status flags ORER and FER in SSR to 1 is disabled. When the data with the multi-processor bit set to 1 is received, the MPIE bit is automatically cleared to 0, and normal reception is resumed.	R/W
b4	RE	Receive Enable	0: Serial reception is disabled 1: Serial reception is enabled	R/W*2
b5	TE	Transmit Enable	0: Serial transmission is disabled 1: Serial transmission is enabled	R/W*2
b6	RIE	Receive Interrupt Enable	0: RXI and ERI interrupt requests are disabled 1: RXI and ERI interrupt requests are enabled	R/W
b7	TIE	Transmit Interrupt Enable	0: A TXI interrupt request is disabled 1: A TXI interrupt request is enabled	R/W

x: Don't care

Note 1. Writable only when TE = 0 and RE = 0.

Note 2. A 1 can be written only when TE = 0 and RE = 0, while the SMR.CM bit is 1. After setting TE or RE to 1, only 0 can be written in TE and RE. While the SMR.CM bit is 0 and the SIMR1.IICM bit is 0, writing is enabled under any condition.

CKE[1:0] Bits (Clock Enable)

These bits select the clock source and SCKn pin function.

The combination of the settings of these bits and of the SEMR.ACS0 bit sets the internal TMR clock.

TEIE Bit (Transmit End Interrupt Enable)

Enables or disables a TEI interrupt request.

A TEI interrupt request is disabled by clearing the TEIE bit to 0.

In simple I²C mode (when the IICM bit in SIMR1 is 1), the TEI is allocated to the interrupt on completion of issuing a start, restart, or stop condition (STI). In this case, the TEIE bit can be used to enable or disable the STI.

MPIE Bit (Multi-Processor Interrupt Enable)

When this bit is set to 1 and the data with the multi-processor bit set to 0 is received, the data is not read and setting the status flags ORER and FER in SSR to 1 is disabled. When the data with the multi-processor bit set to 1 is received, the MPIE is automatically cleared to 0, and normal reception is resumed. For details, see section 29.4, Multi-Processor Communications Function.

When the receive data includes the MPB bit is SSR set to 0, the receive data is not transferred from the RSR to the RDR, a receive error is not detected, and setting the flags ORER and FER to 1 is disabled.

When the receive data includes the MPB bit set to 1, the MPB bit is set to 1, the MPIE bit is automatically cleared to 0, the RXI and ERI interrupt requests are enabled (if the RIE bit in SCR is set to 1), and setting the flags ORER and FER to 1 is enabled.

MPIE should be set to 0 if multi-processor communications function is not to be used.

RE Bit (Receive Enable)

Enables or disables serial reception.

When this bit is set to 1, serial reception is started by detecting the start bit in asynchronous mode or the synchronous clock input in clock synchronous mode. Note that SMR should be set prior to setting the RE bit to 1 in order to designate the reception format.

Even if reception is halted by clearing the RE bit to 0, the ORER, FER, and PER flags in SSR are not affected and the previous value is retained.

TE Bit (Transmit Enable)

Enables or disables serial transmission.

When this bit is set to 1, serial transmission is started by writing transmit data to TDR. Note that SMR should be set prior to setting the TE bit to 1 in order to designate the transmission format.

RIE Bit (Receive Interrupt Enable)

Enables or disables RXI and ERI interrupt requests.

An RXI interrupt request is disabled by clearing the RIE bit to 0.

An ERI interrupt request can be canceled by reading 1 from the ORER, FER, or PER flag in SSR and then clearing the flag to 0, or clearing the RIE bit to 0.

TIE Bit (Transmit Interrupt Enable)

Enables or disables notification of a TXI interrupt request.

Notification of a TXI interrupt request is disabled by clearing the TIE bit to 0.

(2) Smart Card Interface Mode (SMIF in SCMR = 1)

Address(es): SCI0.SCR 0008 A002h, SCI1.SCR 0008 A022h, SCI2.SCR 0008 A042h, SCI3.SCR 0008 A062h,
 SCI4.SCR 0008 A082h, SCI5.SCR 0008 A0A2h, SCI6.SCR 0008 A0C2h, SCI7.SCR 0008 A0E2h,
 SCI8.SCR 0008 A102h, SCI9.SCR 0008 A122h, SCI10.SCR 0008 A142h, SCI11.SCR 0008 A162h,
 SCI12.SCR 0008 B302h

b7	b6	b5	b4	b3	b2	b1	b0
TIE	RIE	TE	RE	MPIE	TEIE	CKE[1:0]	

Value after reset: 0 0 0 0 0 0 0 0

Bit	Symbol	Bit Name	Description	R/W
b1, b0	CKE[1:0]	Clock Enable	<ul style="list-style-type: none"> When GM in SMR = 0 <ul style="list-style-type: none"> b1 b0 0 0: Output disabled (The SCKn pin is available for use as an I/O port in accord with the I/O port settings.) 0 1: Clock output 1 x: (Setting prohibited) When GM in SMR = 1 <ul style="list-style-type: none"> b1 b0 0 0: Output fixed low x 1: Clock output 1 0: Output fixed high 	R/W*1
b2	TEIE	Transmit End Interrupt Enable	This bit should be 0 in smart card interface mode.	R/W
b3	MPIE	Multi-Processor Interrupt Enable	This bit should be 0 in smart card interface mode.	R/W
b4	RE	Receive Enable	0: Serial reception is disabled 1: Serial reception is enabled	R/W*2
b5	TE	Transmit Enable	0: Serial transmission is disabled 1: Serial transmission is enabled	R/W*2
b6	RIE	Receive Interrupt Enable	0: RXI and ERI interrupt requests are disabled 1: RXI and ERI interrupt requests are enabled	R/W
b7	TIE	Transmit Interrupt Enable	0: A TXI interrupt request is disabled 1: A TXI interrupt request is enabled	R/W

x: Don't care

Note 1. Writable only when TE = 0 and RE = 0.

Note 2. A 1 can be written only when TE = 0 and RE = 0, while the SMR.CM bit is 1. After setting TE or RE to 1, only 0 can be written in TE and RE. While the SMR.CM bit is 0, writing is enabled under any condition.

For details on interrupt requests, see section 29.11, Interrupt Sources.

CKE[1:0] Bits (Clock Enable)

These bits control the clock output from the SCKn pin.

In GSM mode, clock output can be dynamically switched. For details, see section 29.6.8, Clock Output Control.

TEIE Bit (Transmit End Interrupt Enable)

This bit should be 0 in smart card interface mode.

MPIE Bit (Multi-Processor Interrupt Enable)

This bit should be 0 in smart card interface mode.

RE Bit (Receive Enable)

Enables or disables serial reception.

When this bit is set to 1, serial reception is started by detecting the start bit. Note that SMR should be set prior to setting the RE bit to 1 in order to designate the reception format.

Even if reception is halted by clearing the RE bit to 0, the ORER, FER, and PER flags in SSR are not affected and the previous value is retained.

TE Bit (Transmit Enable)

Enables or disables serial transmission.

When this bit is set to 1, serial transmission is started by writing transmit data to TDR. Note that SMR should be set prior to setting the TE bit to 1 in order to designate the transmission format.

RIE Bit (Receive Interrupt Enable)

Enables or disables RXI and ERI interrupt requests.

An RXI interrupt request is disabled by clearing the RIE bit to 0.

An ERI interrupt request can be canceled by reading 1 from the ORER, FER, or PER flag in SSR and then clearing the flag to 0, or clearing the RIE bit to 0.

TIE Bit (Transmit Interrupt Enable)

Enables or disables notification of a TXI interrupt request.

Notification of a TXI interrupt request is disabled by clearing the TIE bit to 0.

29.2.7 Serial Status Register (SSR)

Note: • Some bits in SSR have different functions in serial communications interface mode and smart card interface mode.

(1) Serial Communications Interface Mode (SMIF in SCMR = 0)

Address(es): SCI0.SSR 0008 A004h, SCI1.SSR 0008 A024h, SCI2.SSR 0008 A044h, SCI3.SSR 0008 A064h,
SCI4.SSR 0008 A084h, SCI5.SSR 0008 A0A4h, SCI6.SSR 0008 A0C4h, SCI7.SSR 0008 A0E4h,
SCI8.SSR 0008 A104h, SCI9.SSR 0008 A124h, SCI10.SSR 0008 A144h, SCI11.SSR 0008 A164h,
SCI12.SSR 0008 B304h

	b7	b6	b5	b4	b3	b2	b1	b0
	—	—	ORER	FER	PER	TEND	MPB	MPBT
Value after reset:	x	x	0	0	0	1	0	0

x: Undefined

Bit	Symbol	Bit Name	Description	R/W
b0	MPBT	Multi-Processor Bit Transfer	Sets the multi-processor bit for adding to the transmission frame 0: Data transmission cycles 1: ID transmission cycles	R/W
b1	MPB	Multi-Processor	Value of the multi-processor bit in the reception frame 0: Data transmission cycles 1: ID transmission cycles	R
b2	TEND	Transmit End Flag	0: A character is being transmitted. 1: Character transfer has been completed.	R
b3	PER	Parity Error Flag	0: No parity error occurred 1: A parity error has occurred	R/(W) *1
b4	FER	Framing Error Flag	0: No framing error occurred 1: A framing error has occurred	R/(W) *1
b5	ORER	Overrun Error Flag	0: No overrun error occurred 1: An overrun error has occurred	R/(W) *1
b7, b6	—	Reserved	The read value is undefined. The write value should be 1.	R/W

Note 1. Only 0 can be written to this bit, to clear the flag.

MPBT Bit (Multi-Processor Bit Transfer)

Sets the value of the multi-processor bit for adding to the transmission frame.

MPB Bit (Multi-Processor)

Holds the value of the multi-processor bit in the reception frame. This bit does not change when the RE bit in SCR is 0.

TEND Flag (Transmission End Flag)

Indicates completion of transmission.

[Setting conditions]

- Clearing of the SCR.TE bit to 0 (disabling serial transmission operations)
When the SCR.TE bit is changed from 0 to 1, the TEND flag is not affected and retains the value 1.
- The TDR is not updated at the time of transmission of the tail-end bit of a character being transmitted

[Clearing condition]

- When data for transmission are written to the TDR while the SCR.TE is 1

When the TEND flag is cleared by writing transmit data to the TDR register, perform a dummy read of the SSR register in the following order:

- (1) Write transmit data to the TDR register.
- (2) Read the SSR register and write that value to a general register.
- (3) Execute some operations using the read value.

PER Bit (Parity Error Flag)

Indicates that a parity error has occurred during reception in asynchronous mode and the reception ends abnormally.

[Setting condition]

- When a parity error is detected during reception
Although receive data when the parity error occurs is transferred to RDR, no RXI interrupt request occurs. Note that when the PER flag is being set to 1, the subsequent receive data is not transferred to RDR.

[Clearing condition]

- When 0 is written to PER after reading PER = 1 (after writing 0 to it, read the PER bit to check that it has actually been cleared to 0.)
Even when the RE bit in SCR is cleared to 0 (which indicates that serial reception is disabled), the PER flag is not affected and retains its previous value.

FER Bit (Framing Error Flag)

Indicates that a framing error has occurred during reception in asynchronous mode and the reception ends abnormally.

[Setting condition]

- When the stop bit is 0
In 2-stop-bit mode, only the first stop bit is checked whether it is 1 but the second stop bit is not checked. Note that although receive data when the framing error occurs is transferred to RDR, no RXI interrupt request occurs. In addition, when the FER flag is being set to 1, the subsequent receive data is not transferred to RDR.

[Clearing condition]

- When 0 is written to FER after reading FER = 1 (after writing 0 to it, read the FER bit to check that it has actually been cleared to 0.)
Even when the RE bit in SCR is cleared to 0, the FER flag is not affected and retains its previous value.

ORER Bit (Overrun Error Flag)

Indicates that an overrun error has occurred during reception and the reception ends abnormally.

[Setting condition]

- When the next data is received before receive data is read from RDR
In RDR, receive data prior to an overrun error occurrence is retained, but data received after the overrun error occurrence is lost. When the ORER flag is set to 1, subsequent serial reception cannot be performed. Note that, in clock synchronous mode, serial transmission also cannot continue.

[Clearing condition]

- When 0 is written to ORER after reading ORER = 1 (after writing a 0 to it, read the ORER bit to check that it has actually been cleared to 0.)
Even when the RE bit in SCR is cleared to 0, the ORER flag is not affected and retains its previous value.

(2) Smart Card Interface Mode (SMIF in SCMR = 1)

Address(es): SCI0.SSR 0008 A004h, SCI1.SSR 0008 A024h, SCI2.SSR 0008 A044h, SCI3.SSR 0008 A064h,
 SCI4.SSR 0008 A084h, SCI5.SSR 0008 A0A4h, SCI6.SSR 0008 A0C4h, SCI7.SSR 0008 A0E4h,
 SCI8.SSR 0008 A104h, SCI9.SSR 0008 A124h, SCI10.SSR 0008 A144h, SCI11.SSR 0008 A164h,
 SCI12.SSR 0008 B304h

b7	b6	b5	b4	b3	b2	b1	b0
—	—	ORER	ERS	PER	TEND	MPB	MPBT

Value after reset: x x 0 0 0 1 0 0

x: Undefined

Bit	Symbol	Bit Name	Description	R/W
b0	MPBT	Multi-Processor Bit Transfer	This bit should be set to 0 in smart card interface mode.	R/W
b1	MPB	Multi-Processor	This bit is not used in smart card interface mode. It should be set to 0.	R
b2	TEND	Transmit End Flag	0: A character is being transmitted. 1: Character transfer has been completed.	R
b3	PER	Parity Error Flag	0: No parity error occurred 1: A parity error has occurred	R/(W) *1
b4	ERS	Error Signal Status Flag	0: Low error signal not responded 1: Low error signal responded	R/(W) *1
b5	ORER	Overrun Error Flag	0: No overrun error occurred 1: An overrun error has occurred	R/(W) *1
b7, b6	—	Reserved	The read value is undefined. The write value should be 1.	R/W

Note 1. Only 0 can be written to this bit, to clear the flag.

MPBT Bit (Multi-Processor Bit Transfer)

This bit should be set to 0 in smart card interface mode.

MPB Bit (Multi-Processor)

This bit is not used in smart card interface mode. It should be set to 0.

TEND Flag (Transmission End Flag)

With no error signal from the receiving side, this bit is set to 1 when further data for transfer is ready to be transferred to the TDR register.

[Setting conditions]

- When SCR.TE bit = 0 (disabling serial transmission operations)
When the SCR.TE bit is changed from 0 to 1, the TEND flag is not affected and retains the value 1.
- When a specified period has elapsed after the latest transmission of one byte, the ERS flag is 0, and the TDR register is not updated
The set timing is determined by register settings as listed below.
When SMR.GM = 0 and SMR.BLK = 0, 12.5 etu after the start of transmission
When SMR.GM = 0 and SMR.BLK = 1, 11.5 etu after the start of transmission
When SMR.GM = 1 and SMR.BLK = 0, 11.0 etu after the start of transmission
When SMR.GM = 1 and SMR.BLK = 1, 11.0 etu after the start of transmission

[Clearing condition]

- When data for transmission are written to the TDR while the SCR.TE is 1

PER Flag (Parity Error Flag)

Indicates that a parity error has occurred during reception in asynchronous mode and the reception ends abnormally.

[Setting condition]

- When a parity error is detected during reception

Although receive data when the parity error occurs is transferred to RDR, no RXI interrupt request occurs. Note that when the PER flag is being set to 1, the subsequent receive data is not transferred to RDR.

[Clearing condition]

- When 0 is written to PER after reading PER = 1 (After writing 0 to it, read the PER bit to check that it has actually been cleared to 0.)

Even when the RE bit in SCR is cleared to 0 (which indicates that serial reception is disabled), the PER flag is not affected and retains its previous value.

ERS Flag (Error Signal Status Flag)

[Setting condition]

- When a low error signal is sampled

[Clearing condition]

- When 0 is written to ERS after reading ERS = 1

ORER Flag (Overrun Error Flag)

Indicates that an overrun error has occurred during reception and the reception ends abnormally.

[Setting condition]

- When the next data is received before receive data is read from RDR

In RDR, the receive data prior to an overrun error occurrence is retained, but data received following the overrun error occurrence is lost. When the ORER flag is set to 1, subsequent serial reception cannot be performed.

[Clearing condition]

- When 0 is written to ORER after reading ORER = 1 (After writing 0 to it, read the ORER bit to check that it has actually been cleared to 0.)

Even when the RE bit in SCR is cleared to 0, the ORER flag is not affected and retains its previous value.

29.2.8 Smart Card Mode Register (SCMR)

Address(es): SC10.SCMR 0008 A006h, SC11.SCMR 0008 A026h, SC12.SCMR 0008 A046h, SC13.SCMR 0008 A066h, SC14.SCMR 0008 A086h, SC15.SCMR 0008 A0A6h, SC16.SCMR 0008 A0C6h, SC17.SCMR 0008 A0E6h, SC18.SCMR 0008 A106h, SC19.SCMR 0008 A126h, SC110.SCMR 0008 A146h, SC111.SCMR 0008 A166h, SC112.SCMR 0008 B306h

b7	b6	b5	b4	b3	b2	b1	b0
BCP2	—	—	—	SDIR	SINV	—	SMIF

Value after reset: 1 1 1 1 0 0 1 0

Bit	Symbol	Bit Name	Description	R/W																																				
b0	SMIF	Smart Card Interface Mode Select	0: Serial communications interface mode 1: Smart card interface mode	R/W*1																																				
b1	—	Reserved	This bit is read as 1. The write value should be 1.	R/W																																				
b2	SINV	Transmitted/Received Data Invert	0: TDR contents are transmitted as they are. Receive data is stored as it is in RDR. 1: TDR contents are inverted before being transmitted. Receive data is stored in inverted form in RDR.	R/W*1																																				
b3	SDIR	Transmitted/Received Data Transfer Direction	0: Transfer with LSB-first 1: Transfer with MSB-first	R/W*1																																				
b6 to b4	—	Reserved	These bits are read as 1. The write value should be 1.	R/W																																				
b7	BCP2	Base Clock Pulse 2	Selects the number of base clock cycles in combination with the SMR.BCP[1:0] bits. Setting values in the SCMR.BCP2 bit <table border="1"> <thead> <tr> <th>BCP2</th> <th>BCP1</th> <th>BCP0</th> <th></th> </tr> </thead> <tbody> <tr> <td>0</td> <td>0</td> <td>0</td> <td>93 clock cycles (S = 93)*2</td> </tr> <tr> <td>0</td> <td>0</td> <td>1</td> <td>128 clock cycles (S = 128)*2</td> </tr> <tr> <td>0</td> <td>1</td> <td>0</td> <td>186 clock cycles (S = 186)*2</td> </tr> <tr> <td>0</td> <td>1</td> <td>1</td> <td>512 clock cycles (S = 512)*2</td> </tr> <tr> <td>1</td> <td>0</td> <td>0</td> <td>32 clock cycles (S = 32)*2 (Initial Value)</td> </tr> <tr> <td>1</td> <td>0</td> <td>1</td> <td>64 clock cycles (S = 64)*2</td> </tr> <tr> <td>1</td> <td>1</td> <td>0</td> <td>372 clock cycles (S = 372)*2</td> </tr> <tr> <td>1</td> <td>1</td> <td>1</td> <td>256 clock cycles (S = 256)*2</td> </tr> </tbody> </table>	BCP2	BCP1	BCP0		0	0	0	93 clock cycles (S = 93)*2	0	0	1	128 clock cycles (S = 128)*2	0	1	0	186 clock cycles (S = 186)*2	0	1	1	512 clock cycles (S = 512)*2	1	0	0	32 clock cycles (S = 32)*2 (Initial Value)	1	0	1	64 clock cycles (S = 64)*2	1	1	0	372 clock cycles (S = 372)*2	1	1	1	256 clock cycles (S = 256)*2	R/W*1
BCP2	BCP1	BCP0																																						
0	0	0	93 clock cycles (S = 93)*2																																					
0	0	1	128 clock cycles (S = 128)*2																																					
0	1	0	186 clock cycles (S = 186)*2																																					
0	1	1	512 clock cycles (S = 512)*2																																					
1	0	0	32 clock cycles (S = 32)*2 (Initial Value)																																					
1	0	1	64 clock cycles (S = 64)*2																																					
1	1	0	372 clock cycles (S = 372)*2																																					
1	1	1	256 clock cycles (S = 256)*2																																					

Note 1. Writable only when TE in SCR = 0 and RE in SCR = 0 (both serial transmission and reception are disabled).

Note 2. S is the value of S in BRR (see section 29.2.9, Bit Rate Register (BRR)).

SCMR selects smart card interface mode and its format.

SMIF Bit (Smart Card Interface Mode Select)

When this bit is set to 1, smart card interface mode is selected.

When this bit is set to 0, asynchronous or clock synchronous mode is selected.

SINV Bit (Transmitted/Received Data Invert)

Inverts the transmit/receive data logic level. This bit does not affect the logic level of the parity bit. To invert the parity bit, invert the PM bit in SMR.

SDIR Bit (Transmitted/Received Data Transfer Direction)

Selects the serial/parallel conversion format.

This bit can be used in the following modes.

- Asynchronous mode
- Clock-synchronous mode
- Smart card interface mode
- Multiprocessor mode

- Simple SPI mode

Set this bit to 1 if operation is to be in simple I²C mode.

BCP2 Bit (Base Clock Pulse 2)

Selects the number of base clock cycles in a 1-bit data transfer time in smart card interface mode. Set this bit in combination with the SMR.BCP[1:0] bits.

29.2.9 Bit Rate Register (BRR)

Address(es): SCI0.BRR 0008 A001h, SCI1.BRR 0008 A021h, SCI2.BRR 0008 A041h, SCI3.BRR 0008 A061h, SCI4.BRR 0008 A081h, SCI5.BRR 0008 A0A1h, SCI6.BRR 0008 A0C1h, SCI7.BRR 0008 A0E1h, SCI8.BRR 0008 A101h, SCI9.BRR 0008 A121h, SCI10.BRR 0008 A141h, SCI11.BRR 0008 A161h, SCI12.BRR 0008 B301h



BRR is an 8-bit register that adjusts the bit rate.

As each SCI channel has independent baud-rate generator control, different bit rates can be set for each. Table 29.8 shows the relationships between the setting (N) in the BRR and the bit rate (B) for normal asynchronous mode, multi-processor transfer, clock synchronous mode, smart card interface mode, simple SPI mode, and simple I²C mode.

The initial value of BRR is FFh.

BRR can be read from by the CPU at all times, but it can be written to only when the TE and RE bits in SCR are 0.

Table 29.8 Relationships between N Setting in BRR and Bit Rate B

Mode	ABCS Bit in SEMR	BRR Setting	Error
Asynchronous, multi-processor transfer	0	$N = \frac{PCLK \times 10^6}{64 \times 2^{2n-1} \times B} - 1$	$Error (\%) = \left\{ \frac{PCLK \times 10^6}{B \times 64 \times 2^{2n-1} \times (N+1)} - 1 \right\} \times 100$
	1	$N = \frac{PCLK \times 10^6}{32 \times 2^{2n-1} \times B} - 1$	$Error (\%) = \left\{ \frac{PCLK \times 10^6}{B \times 32 \times 2^{2n-1} \times (N+1)} - 1 \right\} \times 100$
Clock synchronous, simple SPI		$N = \frac{PCLK \times 10^6}{8 \times 2^{2n-1} \times B} - 1$	
Smart card interface		$N = \frac{PCLK \times 10^6}{S \times 2^{2n+1} \times B} - 1$	$Error (\%) = \left\{ \frac{PCLK \times 10^6}{B \times S \times 2^{2n+1} \times (N+1)} - 1 \right\} \times 100$
Simple I ² C *1		$N = \frac{PCLK \times 10^6}{64 \times 2^{2n-1} \times B} - 1$	

B: Bit rate (bps)

N: BRR setting for baud rate generator (0 ≤ N ≤ 255)

PCLK: Operating frequency (MHz)

n and S: Determined by the SMR setting listed in the following table.

Note 1. Adjust the bit rate so that the widths at high and low level of the SCL output in simple I²C mode satisfy the I²C standard.

Table 29.9 Calculating Widths at High and Low Level for SCL

Mode	SCL	Formula (Result in Seconds)
I ² C	Width at high level (minimum value)	$(N+1) \times 4 \times 2^{2n-1} \times 7 \times \frac{1}{\text{PCLK} \times 10^6}$
	Width at low level (minimum value)	$(N+1) \times 4 \times 2^{2n-1} \times 8 \times \frac{1}{\text{PCLK} \times 10^6}$

Table 29.10 Clock Source Settings

SMR Setting		
CKS[1:0] Bits	Clock Source	n
0 0	PCLK clock	0
0 1	PCLK/4 clock	1
1 0	PCLK/16 clock	2
1 1	PCLK/64 clock	3

Table 29.11 Base Clock Settings in Smart Card Interface Mode

SCMR Setting	SMR Setting	Base Clock Cycles for One-bit Period	
BCP2 Bit	BCP[1:0] Bits		S
0	0 0	93 clock cycles	93
0	0 1	128 clock cycles	128
0	1 0	186 clock cycles	186
0	1 1	512 clock cycles	512
1	0 0	32 clock cycles	32
1	0 1	64 clock cycles	64
1	1 0	372 clock cycles	372
1	1 1	256 clock cycles	256

Table 29.12 lists sample N settings in BRR in normal asynchronous mode. Table 29.13 lists the maximum bit rate settable for each operating frequency. Examples of BRR (N) settings in clock synchronous mode and simple SPI mode are listed in Table 29.13. Examples of BRR (N) settings in smart card interface mode are listed in Table 29.17. Examples of BRR (N) settings in simple I²C mode are listed in Table 29.19. In smart card interface mode, the number of base clock cycles S in a 1-bit data transfer time can be selected. For details, see section 29.6.4, Receive Data Sampling Timing and Reception Margin. Table 29.14 and Table 29.16 list the maximum bit rates with external clock input.

When the asynchronous mode base clock select bit (ABCS) in the serial extended mode register (SEMR) is set to 1 in asynchronous mode, the bit rate is two times that of listed in Table 29.12.

Table 29.12 Examples of BRR Settings for Various Bit Rates (Asynchronous Mode)

Bit Rate (bps)	Operating Frequency PCLK (MHz)														
	8			9.8304			10			12			12.288		
	n	N	Error (%)	n	N	Error (%)	n	N	Error (%)	n	N	Error (%)	n	N	Error (%)
110	2	141	0.03	2	174	-0.26	2	177	-0.25	2	212	0.03	2	217	0.08
150	2	103	0.16	2	127	0.00	2	129	0.16	2	155	0.16	2	159	0.00
300	1	207	0.16	1	255	0.00	2	64	0.16	2	77	0.16	2	79	0.00
600	1	103	0.16	1	127	0.00	1	129	0.16	1	155	0.16	1	159	0.00
1200	0	207	0.16	0	255	0.00	1	64	0.16	1	77	0.16	1	79	0.00
2400	0	103	0.16	0	127	0.00	0	129	0.16	0	155	0.16	0	159	0.00
4800	0	51	0.16	0	63	0.00	0	64	0.16	0	77	0.16	0	79	0.00
9600	0	25	0.16	0	31	0.00	0	32	-1.36	0	38	0.16	0	39	0.00
19200	0	12	0.16	0	15	0.00	0	15	1.73	0	19	-2.34	0	19	0.00
31250	0	7	0.00	0	9	-1.70	0	9	0.00	0	11	0.00	0	11	2.40
38400	—	—	—	0	7	0.00	0	7	1.73	0	9	-2.34	0	9	0.00

Bit Rate (bps)	Operating Frequency PCLK (MHz)														
	14			16			17.2032			18			19.6608		
	n	N	Error (%)	n	N	Error (%)	n	N	Error (%)	n	N	Error (%)	n	N	Error (%)
110	2	248	-0.17	3	70	0.03	3	75	0.48	3	79	-0.12	3	86	0.31
150	2	181	0.16	2	207	0.16	2	223	0.00	2	233	0.16	2	255	0.00
300	2	90	0.16	2	103	0.16	2	111	0.00	2	116	0.16	2	127	0.00
600	1	181	0.16	1	207	0.16	1	223	0.00	1	233	0.16	1	255	0.00
1200	1	90	0.16	1	103	0.16	1	111	0.00	1	116	0.16	1	127	0.00
2400	0	181	0.16	0	207	0.16	0	223	0.00	0	233	0.16	0	255	0.00
4800	0	90	0.16	0	103	0.16	0	111	0.00	0	116	0.16	0	127	0.00
9600	0	45	-0.93	0	51	0.16	0	55	0.00	0	58	-0.69	0	63	0.00
19200	0	22	-0.93	0	25	0.16	0	27	0.00	0	28	1.02	0	31	0.00
31250	0	13	0.00	0	15	0.00	0	16	1.20	0	17	0.00	0	19	-1.70
38400	—	—	—	0	12	0.16	0	13	0.00	0	14	-2.34	0	15	0.00

Bit Rate (bps)	Operating Frequency PCLK (MHz)								
	20			25			30		
	n	N	Error (%)	n	N	Error (%)	n	N	Error (%)
110	3	88	-0.25	3	110	-0.02	3	132	0.13
150	3	64	0.16	3	80	0.47	3	97	-0.35
300	2	129	0.16	2	162	-0.15	2	194	0.16
600	2	64	0.16	2	80	0.47	2	97	-0.35
1200	1	129	0.16	1	162	-0.15	1	194	0.16
2400	1	64	0.16	1	80	0.47	1	97	-0.35
4800	0	129	0.16	0	162	-0.15	0	194	0.16
9600	0	64	0.16	0	80	0.47	0	97	-0.35
19200	0	32	-1.36	0	40	-0.76	0	48	-0.35
31250	0	19	0.00	0	24	0.00	0	29	0
38400	0	15	1.73	0	19	1.73	0	23	1.73

Note: • This is an example when the ABCS bit in SEMR is 0.
When the ABCS bit is set to 1, the bit rate is two times.

Table 29.13 Maximum Bit Rate for Each Operating Frequency (Asynchronous Mode)

PCLK (MHz)	Maximum Bit Rate (bps)	n	N
8	250000	0	0
9.8304	307200	0	0
10	312500	0	0
12	375000	0	0
12.288	384000	0	0
14	437500	0	0
16	500000	0	0
17.2032	537600	0	0
18	562500	0	0
19.6608	614400	0	0
20	625000	0	0
25	781250	0	0
30	937500	0	0

Note: • When the ABCS bit in SEMR is set to 1, the bit rate is two times.

Table 29.14 Maximum Bit Rate with External Clock Input (Asynchronous Mode)

PCLK (MHz)	External Input Clock (MHz)	Maximum Bit Rate (bps)	
		SEMR.ABCS Bit = 0	SEMR.ABCS Bit = 1
8	2.0000	125000	250000
9.8304	2.4576	153600	307200
10	2.5000	156250	312500
12	3.0000	187500	375000
12.288	3.0720	192000	384000
14	3.5000	218750	437500
16	4.0000	250000	500000
17.2032	4.3008	268800	537600
18	4.5000	281250	562500
19.6608	4.9152	307200	614400
20	5.0000	312500	625000
25	6.2500	390625	781250
30	7.5000	468750	937500

Table 29.15 BRR Settings for Various Bit Rates (Clock Synchronous Mode, Simple SPI Bus Mode)

Bit Rate (bps)	Operating Frequency PCLK (MHz)											
	8		10		16		20		25		30	
	n	N	n	N	n	N	n	N	n	N	n	N
110												
250	3	124	—	—	3	249						
500	2	249	—	—	3	124	—	—			3	233
1k	2	124	—	—	2	249	—	—	3	97	3	116
2.5k	1	199	1	249	2	99	2	124	2	155	2	187
5k	1	99	1	124	1	199	1	249	2	77	2	93
10k	0	199	0	249	1	99	1	124	1	155	1	187
25k	0	79	0	99	0	159	0	199	0	249	1	74
50k	0	39	0	49	0	79	0	99	0	124	0	149
100k	0	19	0	24	0	39	0	49	0	62	0	74
250k	0	7	0	9	0	15	0	19	0	24	0	29
500k	0	3	0	4	0	7	0	9	—	—	0	14
1M	0	1			0	3	0	4	—	—	—	—
2M	0	0 ^{*1}	—	—	0	1	—	—	—	—	—	—
2.5M			0	0 ^{*1}			0	1	—	—	0	2
4M					0	0 ^{*1}	—	—	—	—	—	—
5M							0	0 ^{*1}	—	—	—	—
6.25M									0	0 ^{*1}	—	—
7.5M											0	0 ^{*1}

Space: Setting prohibited.

—: Can be set, but there will be error.

Note 1. The bit rate can be set only when the serial transfer clock is output, but continuous transmission or reception is impossible. After transmitting/receiving one frame of data, there is an interval of a 1-bit period before starting transmitting/receiving the next frame of data. The output of the serial transfer clock is stopped for a 1-bit period. For this reason, it takes 9 bits worth of time to transfer one frame (8 bits) of data, and the average transfer rate is 8/9 times the bit rate.

Table 29.16 Maximum Bit Rate with External Clock Input (Clock Synchronous Mode, Simple SPI Mode)

PCLK (MHz)	External Input Clock (MHz)	Maximum Bit Rate (bps)
8	1.3333	1333333.3
10	1.6667	1666666.7
12	2.0000	2000000.0
14	2.3333	2333333.3
16	2.6667	2666666.7
18	3.0000	3000000.0
20	3.3333	3333333.3
25	4.1667	4166666.7
30	5.0000	5000000.0

Table 29.17 BRR Settings for Various Bit Rates (Smart Card Interface Mode, n = 0, S = 372)

Bit Rate (bps)	PCLK (MHz)	n	N	Error (%)
9600	7.1424	0	0	0.00
	10.00	0	1	30
	10.7136	0	1	25
	13.00	0	1	8.99
	14.2848	0	1	0.00
	16.00	0	1	12.01
	18.00	0	2	15.99
	20.00	0	2	6.66
	25.00	0	3	12.49
	30.00	0	3	5.01

Table 29.18 Maximum Bit Rate for Each Operating Frequency (Smart Card Interface Mode, S = 372)

PCLK (MHz)	Maximum Bit Rate (bps)	n	N
10.00	13441	0	0
10.7136	14400	0	0
13.00	17473	0	0
16.00	21505	0	0
18.00	24194	0	0
20.00	26882	0	0
25.00	33602	0	0
30.00	40323	0	0

Table 29.19 BRR Settings for Various Bit Rates (Simple I²C Mode)

Bit Rate (bps)	Operating Frequency PCLK (MHz)														
	8			10			16			20			25		
	n	N	Error (%)	n	N	Error (%)	n	N	Error (%)	n	N	Error (%)	n	N	Error (%)
10 k	0	24	0.0	0	31	-2.3	1	12	-3.8	1	15	-2.3	1	19	-2.3
25 k	0	9	0.0	0	12	-3.8	1	4	0.0	1	6	-10.7	1	7	-2.3
50 k	0	4	0.0	0	6	-10.7	1	2	-16.7	1	3	-21.9	1	3	-2.3
100 k	0	2	-16.7	0	3	-21.9	0	4	0.0	0	6	-10.7	1	1	-2.3
250 k	0	0	0.0	0	1	-37.5	0	1	0.0	0	2	-16.7	0	3	-21.9
350 k										0	1	-10.7	0	2	-25.6

Bit Rate (bps)	Operating Frequency PCLK (MHz)		
	30		
n	N	Error (%)	
10 k	1	23	-2.3
25 k	1	9	-6.3
50 k	1	4	-6.3
100 k	1	2	-21.9
250 k	0	3	-6.3
350 k	0	2	-10.7

Table 29.20 Minimum Widths at High and Low Level for SCL at Various Bit Rates (Simple I²C Mode)

Min. Widths at High/Low Level for SCL (μ s)	Operating Frequency PCLK (MHz)											
	8			10			16			20		
	n	N	High/Low Width	n	N	High/Low Width	n	N	High/Low Width	n	N	High/Low Width
10 k	0	24	43.75/50.00	0	31	44.80/51.20	1	12	45.5/52.00	1	15	44.80/51.20
25 k	0	9	17.50/20.00	0	12	18.2/20.80	1	4	17.50/20.00	1	6	19.60/22.40
50 k	0	4	8.75/10.00	0	6	9.80/11.20	1	2	10.50/12.00	1	3	11.20/12.80
100 k	0	2	5.25/6.00	0	3	5.60/6.40	0	4	4.37/5.00	0	6	4.90/5.60
250 k	0	0	1.75/2.00	0	1	2.80/3.20	0	1	1.75/2.00	0	2	2.10/2.40
350 k										0	1	1.40/1.60

Min. Widths at High/Low Level for SCL (μ s)	Operating Frequency PCLK (MHz)					
	25			30		
	n	N	High/Low Width	n	N	High/Low Width
10 k	1	19	44.80/51.20	1	23	44.80/51.20
25 k	1	7	17.92/20.48	1	9	18.66/21.33
50 k	1	3	8.96/10.24	1	4	9.33/10.66
100 k	1	1	4.48/5.12	1	2	5.60/6.40
250 k	0	3	2.24/2.56	0	3	1.86/2.13
350 k	0	2	1.68/1.92	0	2	1.40/1.60

29.2.10 Serial Extended Mode Register (SEMR)

Address(es): SCI0.SEMR 0008 A007h, SCI1.SEMR 0008 A027h, SCI2.SEMR 0008 A047h, SCI3.SEMR 0008 A067h, SCI4.SEMR 0008 A087h, SCI5.SEMR 0008 A0A7h, SCI6.SEMR 0008 A0C7h, SCI7.SEMR 0008 A0E7h, SCI8.SEMR 0008 A107h, SCI9.SEMR 0008 A127h, SCI10.SEMR 0008 A147h, SCI11.SEMR 0008 A167h, SCI12.SEMR 0008 B307h

b7	b6	b5	b4	b3	b2	b1	b0
—	—	NFEN	ABCS	—	—	—	ACS0

Value after reset: 0 0 0 0 0 0 0 0

Bit	Symbol	Bit Name	Description	R/W												
b0	ACS0	Asynchronous Mode Clock Source Select	(Valid only in asynchronous mode) 0: External clock input 1: TMR clock input (valid only for SCI5, SCI6, and SCI12) The following table lists the correspondence between SCI channels and compare match outputs	R/W*1												
			<table border="1"> <thead> <tr> <th>SCI</th> <th>TMR</th> <th>Compare Match Output</th> </tr> </thead> <tbody> <tr> <td>SCI5</td> <td>Unit 0</td> <td>TMO0, TMO1</td> </tr> <tr> <td>SCI6</td> <td>Unit 1</td> <td>TMO2, TMO3</td> </tr> <tr> <td>SCI12</td> <td>Unit 0</td> <td>TMO0, TMO1</td> </tr> </tbody> </table>	SCI	TMR	Compare Match Output	SCI5	Unit 0	TMO0, TMO1	SCI6	Unit 1	TMO2, TMO3	SCI12	Unit 0	TMO0, TMO1	
SCI	TMR	Compare Match Output														
SCI5	Unit 0	TMO0, TMO1														
SCI6	Unit 1	TMO2, TMO3														
SCI12	Unit 0	TMO0, TMO1														
b3 to b1	—	Reserved	These bits are read as 0. The write value should be 0.	R/W												
b4	ABCS	Asynchronous Mode Base Clock Select	(Valid only in asynchronous mode) 0: Selects 16 base clock cycles for 1-bit period 1: Selects 8 base clock cycles for 1-bit period	R/W*1												
b5	NFEN	Digital Noise Filter Function Enable	(In asynchronous mode) 0: Noise cancellation function for the RXDn input signal is disabled. 1: Noise cancellation function for the RXDn input signal is enabled. (in simple I ² C mode) 0: Noise cancellation function for the SSCLn and SSDAn input signals is disabled. 1: Noise cancellation function for the SSCLn and SSDAn input signals is enabled. The NFEN bit should be 0 in any mode other than above.	R/W*1												
b7, b6	—	Reserved	These bits are read as 0. The write value should be 0.	R/W												

Note 1. Writable only when TE in SCR = 0 and RE in SCR = 0 (both serial transmission and reception are disabled).

SEMR selects the clock source for 1-bit period in asynchronous mode.

For SCI5, SCI6, and SCI12, the TMO_n output (n = 0 to 3) of TMR units 0 and 1 can be set as the serial transfer base clock.

Figure 29.4 shows a setting example when the TMO_n output of TMR_n (n = 0 to 3) is selected.

ACS0 Bit (Asynchronous Mode Clock Source Select)

Selects the clock source in the asynchronous mode.

The ACS0 bit is valid in asynchronous mode (CM bit in SMR = 0) and when an external clock input is selected (CKE[1:0] bits in SCR = 10b or 11b). An external clock input or internal TMR clock input can be selected.

Clear the ACS0 bit to 0 in other than asynchronous mode.

These bits for the other SCI channels than SCI5, SCI6, and SCI12 are reserved. The write values to these bits for other than SCI5, SCI6, and SCI12 should always be 0.

ABCS Bit (Asynchronous Mode Base Clock Select)

Selects the number of base clock pulses for 1-bit period.

NFEN Bit (Digital Noise Filter Function Enable)

This bit enables or disables the digital noise filter function.

When the function is enabled, noise cancellation is applied to the RXDn input signal in asynchronous mode, and noise cancellation is applied to the SSDAn and SSCLn input signals in simple I²C mode.

In any mode other than above, set the NFEN bit to 0 to disable the digital noise filter function.

When the function is disabled, input signals are transferred as is, as internal signals.

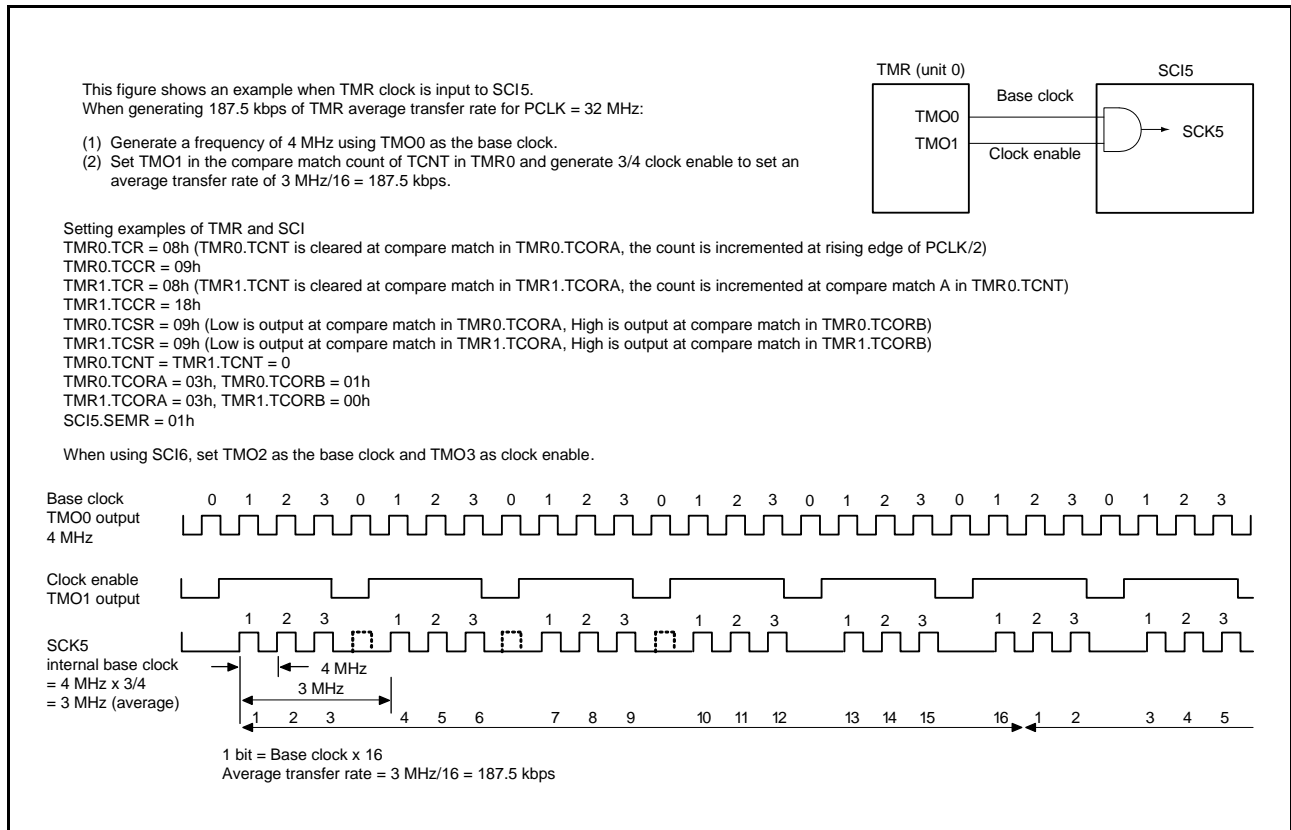
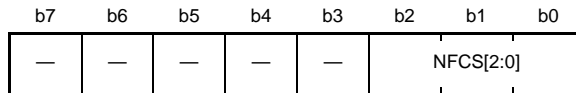


Figure 29.4 Example of Average Transfer Rate Setting when TMR Clock is Input

29.2.11 Noise Filter Setting Register (SNFR)

Address(es): SCI0.SNFR 0008 A008h, SCI1.SNFR 0008 A028h, SCI2.SNFR 0008 A048h, SCI3.SNFR 0008 A068h, SCI4.SNFR 0008 A088h, SCI5.SNFR 0008 A0A8h, SCI6.SNFR 0008 A0C8h, SCI7.SNFR 0008 A0E8h, SCI8.SNFR 0008 A108h, SCI9.SNFR 0008 A128h, SCI10.SNFR 0008 A148h, SCI11.SNFR 0008 A168h, SCI12.SNFR 0008 B308h



Value after reset: 0 0 0 0 0 0 0 0

Bit	Symbol	Bit Name	Description	R/W
b2 to b0	NFCS[2:0]	Noise Filter Clock Select	<p>In asynchronous mode, the standard setting for the base clock is as follows.</p> <p>b2 b0 0 0 0: The clock signal divided by 1 is used with the noise filter.</p> <p>In simple I²C mode, the standard settings for the clock source selected for the on-chip baud rate generator are given below.</p> <p>b2 b0 0 0 1: The clock signal divided by 1 is used with the noise filter. 0 1 0: The clock signal divided by 2 is used with the noise filter. 0 1 1: The clock signal divided by 4 is used with the noise filter. 1 0 0: The clock signal divided by 8 is used with the noise filter.</p> <p>Settings other than above are prohibited.</p>	R/W*1
b7 to b3	—	Reserved	These bits are read as 0. The write value should be 0.	R/W

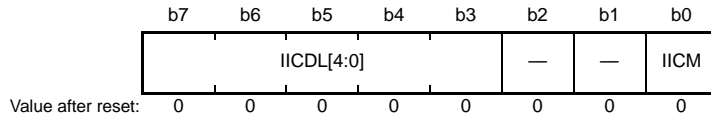
Note 1. Writing to these bits is only possible when the RE and TE bits in the SCR are 0 (disabling reception and transmission).

NFCS[2:0] Bits (Noise Filter Clock Select)

These bits select the sampling clock for the digital noise filter. To use the noise filter in asynchronous mode, set these bits to 000b. In simple I²C mode, set the bits to a value in the range from 001b to 100b.

29.2.12 I²C Mode Register 1 (SIMR1)

Address(es): SC10.SIMR1 0008 A009h, SC11.SIMR1 0008 A029h, SC12.SIMR1 0008 A049h, SC13.SIMR1 0008 A069h, SC14.SIMR1 0008 A089h, SC15.SIMR1 0008 A0A9h, SC16.SIMR1 0008 A0C9h, SC17.SIMR1 0008 A0E9h, SC18.SIMR1 0008 A109h, SC19.SIMR1 0008 A129h, SC110.SIMR1 0008 A149h, SC111.SIMR1 0008 A169h, SC112.SIMR1 0008 B309h



Bit	Symbol	Bit Name	Description	R/W
b0	IICM	Simple I ² C Mode Select	SMIF IICM 0 0: Serial interface mode (in asynchronous, synchronous, or simple SPI mode) 0 1: Simple I ² C mode 1 0: Smart card interface mode 1 1: Setting prohibited.	R/W*1
b2, b1	—	Reserved	These bits are read as 0. The write value should be 0.	R/W
b7 to b3	IICDL[4:0]	SSDA Delay Output Select	(Cycles below are of the clock signal from the on-chip baud rate generator.) b7 b3 0 0 0 0 0: No output delay 0 0 0 0 1: 0 to 1 cycle 0 0 0 1 0: 1 to 2 cycles 0 0 0 1 1: 2 to 3 cycles 0 0 1 0 0: 3 to 4 cycles 0 0 1 0 1: 4 to 5 cycles : : 1 1 1 1 0: 29 to 30 cycles 1 1 1 1 1: 30 to 31 cycles	R/W*1

Note 1. Writing to these bits is only possible when the RE and TE bits in the SCR are 0 (disabling reception and transmission).

SIMR1 is used to select simple I²C mode and the number of delay stages for the SSDA output.

IICM Bit (Simple I²C Mode Select)

In conjunction with the SMIF bit in SCMR, this bit selects the operating mode.

IICDL[4:0] Bits (SSDA Output Delay Select)

These bits are used to set a delay for output on the SSDAn pin relative to the falling edge of the output on the SSCLn pin. The available delay settings range from no delay to 31 cycles, with the clock signal from the on-chip baud rate generator as the base. The signal obtained by frequency-dividing PCLK by the divisor set in SMR.CKS[1:0] is supplied as the clock signal from the on-chip baud rate generator. Set these bits to 00000b unless operation is in simple I²C mode. In simple I²C mode, set the bits to a value in the range from 00001b to 11111b.

29.2.13 I²C Mode Register 2 (SIMR2)

Address(es): SCI0.SIMR2 0008 A00Ah, SCI1.SIMR2 0008 A02Ah, SCI2.SIMR2 0008 A04Ah, SCI3.SIMR2 0008 A06Ah, SCI4.SIMR2 0008 A08Ah, SCI5.SIMR2 0008 A0AAh, SCI6.SIMR2 0008 A0CAh, SCI7.SIMR2 0008 A0EAh, SCI8.SIMR2 0008 A10Ah, SCI9.SIMR2 0008 A12Ah, SCI10.SIMR2 0008 A14Ah, SCI11.SIMR2 0008 A16Ah, SCI12.SIMR2 0008 B30Ah



Value after reset: 0 0 0 0 0 0 0 0

Bit	Symbol	Bit Name	Description	R/W
b0	IICINTM	I ² C Interrupt Mode Select	0: Use ACK/NACK interrupts. 1: Use reception and transmission interrupts.	R/W*1
b1	IICCCS	Clock Synchronization	0: No synchronization with the clock signal 1: Synchronization with the clock signal	R/W*1
b4 to b2	—	Reserved	These bits are read as 0. The write value should be 0.	R/W
b5	IICACKT	ACK Transmission Data	0: ACK transmission 1: NACK transmission and reception of ACK/NACK	R/W
b7, b6	—	Reserved	These bits are read as 0. The write value should be 0.	R/W

Note 1. Writing to these bits is only possible when the RE and TE bits in the SCR are 0 (disabling serial reception and transmission).

SIMR2 is used to select how reception and transmission are controlled in simple I²C mode.

IICINTM Bit (I²C Interrupt Mode Select)

This bit selects the sources of interrupt requests in simple I²C mode.

IICCCS Bit (Clock Synchronization)

Set the IICCCS bit to 1 if the internally generated SSCLn clock signal is to be synchronized when the SSCLn bit has been placed at the low level in the case of a wait inserted by the other device, etc.

The SSCLn clock signal is not synchronized if the IICCCS bit is 0. The SSCLn clock signal is generated in accord with the rate selected in the BRR regardless of the level being input on the SSCLn pin.

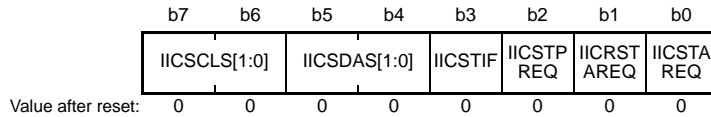
Set the IICCCS bit to 1 except during debugging.

IICACKT Bit (ACK Transmission Data)

Transmitted data contains ACK bits. Set this bit to 1 when ACK and NACK bits are received.

29.2.14 I²C Mode Register 3 (SIMR3)

Address(es): SCI0.SIMR3 0008 A00Bh, SCI1.SIMR3 0008 A02Bh, SCI2.SIMR3 0008 A04Bh, SCI3.SIMR3 0008 A06Bh, SCI4.SIMR3 0008 A08Bh, SCI5.SIMR3 0008 A0ABh, SCI6.SIMR3 0008 A0CBh, SCI7.SIMR3 0008 A0EBh, SCI8.SIMR3 0008 A10Bh, SCI9.SIMR3 0008 A12Bh, SCI10.SIMR3 0008 A14Bh, SCI11.SIMR3 0008 A16Bh, SCI12.SIMR3 0008 B30Bh



Bit	Symbol	Bit Name	Description	R/W
b0	IICSTAREQ	Start Condition Generation	0: A start condition is not generated. 1: A start condition is generated.*1,*3,*4	R/W
b1	IICRSTAREQ	Restart Condition Generation	0: A restart condition is not generated. 1: A restart condition is generated.*2,*3,*4	R/W
b2	IICSTPREQ	Stop Condition Generation	0: A stop condition is not generated. 1: A stop condition is generated.*2,*3,*4	R/W
b3	IICSTIF	Issuing of Start, Restart, or Stop Condition Completed Flag	0: There are no requests for generating conditions or a condition is being generated. 1: All request generation has been completed.	R/W
b5, b4	IICSDAS[1:0]	SSDA Output Select	b5 b4 0 0: Serial data output 0 1: Generate a start, restart, or stop condition. 1 0: Output the low level on the SSDA pin. 1 1: Place the SSDA pin in the high-impedance state.	R/W
b7, b6	IICSCLS[1:0]	SSCL Output Select	b7 b6 0 0: Serial clock output 0 1: Generate a start, restart, or stop condition. 1 0: Output the low level on the SSCL pin. 1 1: Place the SSCL pin in the high-impedance state.	R/W

Note 1. Only generate a start condition after checking the bus state and confirming that it is free.

Note 2. Generate a restart or stop condition after checking the bus state and confirming that it is busy.

Note 3. Do not set more than one from among the IICSTAREQ, IICRSTAREQ, and IICSTPREQ bits to 1 at a given time.

Note 4. Execute the generation of a condition after the value of the IICSTIF flag is 0.

SIMR3 is used to control the simple I²C mode start and stop conditions, and to hold the SSDAn and SSCLn pins at fixed levels.

IICSTAREQ Bit (Start Condition Generation)

When a start condition is to be generated, set both the IICSDAS[1:0] and IICSCLS[1:0] bits to 01b as well as setting the IICSTAREQ bit to 1.

[Setting condition]

- Writing 1 to the bit

[Clearing condition]

- Completion of generation of the start condition

IICRSTAREQ Bit (Restart Condition Generation)

When a restart condition is to be generated, set both the IICSDAS[1:0] and IICSCLS[1:0] bits to 01b as well as setting the IICRSTAREQ bit to 1.

[Setting condition]

- Writing 1 to the bit

[Clearing condition]

- Completion of generation of the restart condition

IICSTPREQ Bit (Stop Condition Generation)

When a stop condition is to be generated, set both the IICSDAS[1:0] and IICSCLS[1:0] bits to 01b as well as setting the IICSTPREQ bit to 1.

[Setting condition]

- Writing 1 to the bit

[Clearing condition]

- Completion of generation of the stop condition

IICSTIF Flag (Issuing of Start, Restart, or Stop Condition Completed Flag)

After execution for the generation of a condition, this bit indicates the state of generation being completed. When using the IICSTAREQ, IICRSTAREQ, or IICSTPREQ bit to cause generation of a condition, do so after clearing the IICSTIF flag to 0.

If the TEIE bit in the SCR is enabling interrupt requests, an STI is output on completion of generation of the start, restart, or stop condition when the IICSTIF flag is 1.

[Setting condition]

- Completion of the generation of a start, restart, or stop condition (however, in cases where this conflicts with any of the conditions for the flag becoming zero listed below, the other condition takes precedence)

[Clearing conditions]

- Writing 0 to the bit (confirm that the IICSTIF flag is 0 before doing so)
- Writing 0 to the IICM bit in SIMR1 (when operation is not in simple I²C mode)
- Writing 0 to the TE bit in SCR

IICSDAS[1:0] Bits (SSDA Output Select)

These bits control output from the SSDAn pin.

Set the IICSDAS and IICSCLS bits to the same value during normal operations.

IICSCLS[1:0] Bits (SSCL Output Select)

These bits control output from the SSCLn pin.

Set the IICSCLS and IICSDAS bits to the same value during normal operations.

29.2.15 I²C Status Register (SISR)

Address(es): SCI0.SISR 0008 A00Ch, SCI1.SISR 0008 A02Ch, SCI2.SISR 0008 A04Ch, SCI3.SISR 0008 A06Ch,
SCI4.SISR 0008 A08Ch, SCI5.SISR 0008 A0ACh, SCI6.SISR 0008 A0CCh, SCI7.SISR 0008 A0ECh,
SCI8.SISR 0008 A10Ch, SCI9.SISR 0008 A12Ch, SCI10.SISR 0008 A14Ch, SCI11.SISR 0008 A16Ch,
SCI12.SISR 0008 B30Ch



Value after reset: 0 0 x x 0 x 0 0

x: Undefined

Bit	Symbol	Bit Name	Description	R/W
b0	IICACKR	ACK Reception Data Flag	0: ACK received 1: NACK received	R/W*1
b1	—	Reserved	This bit is read as 0. The write value should be 0.	R/W
b2	—	Reserved	The read value is undefined	R
b3	—	Reserved	This bit is read as 0. The write value should be 0.	R/W
b5, b4	—	Reserved	The read value is undefined	R
b7, b6	—	Reserved	These bits are read as 0. The write value should be 0.	R/W

Note 1. Only 0 can be written to this bit, to clear the flag.

SISR is used to monitor state in relation to simple I²C mode.

IICACKR Flag (ACK Reception Data Flag)

Received ACK and NACK bits can be read from this bit.

The IICACK flag is updated at the rising of SSCLn clock for the ACK/NACK receiving bit.

29.2.16 SPI Mode Register (SPMR)

Address(es): SCI0.SPMR 0008 A00Dh, SCI1.SPMR 0008 A02Dh, SCI2.SPMR 0008 A04Dh, SCI3.SPMR 0008 A06Dh, SCI4.SPMR 0008 A08Dh, SCI5.SPMR 0008 A0ADh, SCI6.SPMR 0008 A0CDh, SCI7.SPMR 0008 A0EDh, SCI8.SPMR 0008 A10Dh, SCI9.SPMR 0008 A12Dh, SCI10.SPMR 0008 A14Dh, SCI11.SPMR 0008 A16Dh, SCI12.SPMR 0008 B30Dh

b7	b6	b5	b4	b3	b2	b1	b0
CKPH	CKPOL	—	MFF	—	MSS	CTSE	SSE

Value after reset: 0 0 0 0 0 0 0 0

Bit	Symbol	Bit Name	Description	R/W
b0	SSE	SS Pin Function Enable	0: SS pin function is disabled. 1: SS pin function is enabled.	R/W*1
b1	CTSE	CTS Enable	0: CTS pin function is disabled (RTS output function is enabled). 1: CTS pin function is enabled	R/W*1
b2	MSS	Master Slave Select	0: Transmission is through the TXDn pin and reception is through the RXDn pin (master mode). 1: Reception is through the TXDn pin and transmission is through the RXDn pin (slave mode).	R/W*1
b3	—	Reserved	This bit is read as 0. The write value should be 0.	R/W
b4	MFF	Mode Fault Flag	0: No mode-fault error 1: Mode-fault error	R/W*2
b5	—	Reserved	This bit is read as 0. The write value should be 0.	R/W
b6	CKPOL	Clock Polarity Select	0: Clock polarity is not inverted. 1: Clock polarity is inverted.	R/W*1
b7	CKPH	Clock Phase Select	0: Clock is not delayed. 1: Clock is delayed.	R/W*1

Note 1. Writing to these bits is only possible when the RE and TE bits in the SCR are 0 (disabling reception and transmission).

Note 2. Only 0 can be written to these bits, which clears the flag.

SPMR is used to select the extension settings in asynchronous and clock-synchronous modes.

SSE Bit (SS Pin Function Enable)

Set this bit to 1 if the SSn# pin is to be used in control of transmission and reception (in simple SPI mode). Set this bit to 0 in any other mode. Furthermore, even for usage in simple SPI mode, the SS# pin on the master side is not required to control reception and transmission when master mode (SCR.CKE[1:0] = 00b and MSS = 0) is selected and there is a single master, so the setting for the SSE bit is 0. Do not set both the SSE and CTS bits to “enabled” (even if this setting is made, the functions will be disabled).

CTSE Bit (CTS Enable)

Set this bit to 1 if the SSn# pin is to be used for inputting of the CTS control signal to control of transmission and reception. The RTS signal is output when this bit is set to 0. Set this bit to 0 in smart card interface mode, simple SPI mode, and simple I²C mode. Do not set both the CTS and SSE bits to “enabled” (even if this setting is made, the functions will be disabled).

MSS Bit (Master Slave Select)

This bit selects between master and slave operation in simple SPI mode. The functions of the TXDn and RXDn pins are reversed when the MSS bit is set to 1, so that data are received through the TXDn pin and transmitted through the RXDn pin.

Set this bit to 0 in modes other than simple SPI mode.

MFF Flag (Mode Fault Flag)

This bit indicates mode-fault errors.

In a multi-master configuration, determine the mode-fault error occurrence by reading the MFF flag.

[Setting condition]

- Input on the SS# pin being at the low level during master operation in simple SPI mode (SSE bit = 1 and MSS bit = 0)

[Clearing condition]

- Writing 0 to the bit after it was read as 1

CKPOL Bit (Clock Polarity Select)

This bit selects the polarity of the clock signal output through the SCKn pin. See Figure 29.52 for details.

Clear the bit to 0 in other than simple SPI mode and clock synchronous mode.

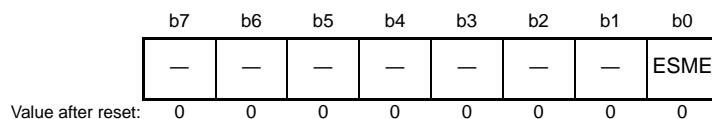
CKPH Bit (Clock Phase Select)

This bit selects the phase of the clock signal output through the SCKn pin. See Figure 29.52 for details.

Clear the bit to 0 in other than simple SPI mode and clock synchronous mode.

29.2.17 Extended Serial Module Enable Register (ESMER)

Address(es): SCI12.ESMER 0008 B320h



Bit	Symbol	Bit Name	Description	R/W
b0	ESME	Extended Serial Mode Enable	0: The extended serial mode is disabled. 1: The extended serial mode is enabled.	R/W
b7 to b1	—	Reserved	These bits are read as 0. The write value should be 0.	R/W

ESME Bit (Extended Serial Mode Enable)

When the ESME bit is 1, the facilities of the extended serial mode control section are enabled.

When the ESME bit is 0, the extended serial mode control section enters the following states:

- the extended serial mode control section is initialized

Table 29.21 Settings of the ESME Bits and Guaranteed Operation by Timer Operation Mode

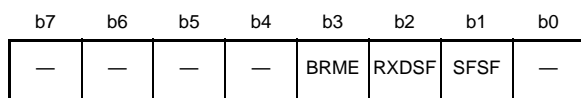
ESME bit	Timer Mode	Break Field Low Width Judgment Mode	Break Field Low Width Output Mode
0	○*1	×	×
1	○	○	○

○:Guarantee of operation is necessary. ×:Guarantee of operation is not necessary.

Note 1. Operation is only possible with PCLK selected.

29.2.18 Control Register 0 (CR0)

Address(es): SCI12.CR0 0008 B321h

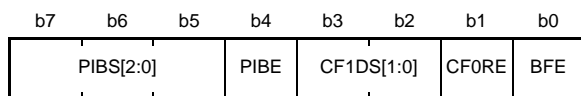


Value after reset: 0 0 0 0 0 0 0 0

Bit	Symbol	Bit Name	Description	R/W
b0	—	Reserved	This bit is read as 0. The write value should be 0.	R/W
b1	SFSF	Start Frame Status Flag	0: Start Frame detection function is disabled. 1: Start Frame detection function is enabled.	R
b2	RXDSF	RXDX12 Input Status Flag	0: RXDX12 input is enabled. 1: RXDX12 input is disabled.	R
b3	BRME	Bit Rate Measurement Enable	0: Measurement of bit rate is disabled. 1: Measurement of bit rate is enabled.	R/W
b7 to b4	—	Reserved	These bits are read as 0. The write value should be 0.	R/W

29.2.19 Control Register 1 (CR1)

Address(es): SC112.CR1 0008 B322h

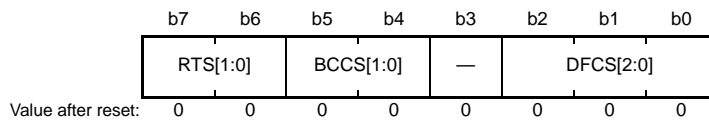


Value after reset: 0 0 0 0 0 0 0 0

Bit	Symbol	Bit Name	Description	R/W
b0	BFE	Break Field Enable	0: Break Field detection is disabled. 1: Break Field detection is enabled.	R/W
b1	CF0RE	Control Field 0 Reception Enable	0: Reception of Control Field 0 is disabled. 1: Reception of Control Field 0 is enabled.	R/W
b3, b2	CF1DS[1:0]	Control Field 1 Data Register Select	b3 b2 0 0: Selects comparison with the value in PCF1DR. 0 1: Selects comparison with the value in SCF1DR. 1 0: Selects comparison with the values in PCF1DR and SCF1DR. 1 1: Setting prohibited.	R/W
b4	PIPE	Priority Interrupt Bit Enable	0: The priority interrupt bit is disabled. 1: The priority interrupt bit is enabled.	R/W
b7 to b5	PIBS[2:0]	Priority Interrupt Bit Select	b7 b5 0 0 0: 0th bit of Control Field 1 0 0 1: 1st bit of Control Field 1 0 1 0: 2nd bit of Control Field 1 0 1 1: 3rd bit of Control Field 1 1 0 0: 4th bit of Control Field 1 1 0 1: 5th bit of Control Field 1 1 1 0: 6th bit of Control Field 1 1 1 1: 7th bit of Control Field 1	R/W

29.2.20 Control Register 2 (CR2)

Address(es): SCI12.CR2 0008 B320h



Bit	Symbol	Bit Name	Description	R/W
b2 to b0	DFCS[2:0]	RXDX12 Signal Digital Filter Clock Select	b2 b0 0 0 0: Filter is disabled. 0 0 1: Filter is enabled (SCI base clock). 0 1 0: Filter is enabled (PCLK/8). 0 1 1: Filter is enabled (PCLK/16). 1 0 0: Filter is enabled (PCLK/32). 1 0 1: Filter is enabled (PCLK/64). 1 1 0: Filter is enabled (PCLK/128). 1 1 1: Setting prohibited	R/W
b3	—	Reserved	This bit is read as 0. The write value should be 0.	R/W
b5, b4	BCCS[1:0]	Bus Collision Detection Clock Select	b5 b4 0 0: SCI base clock 0 1: SCI base clock frequency divided by 2 1 0: SCI base clock frequency divided by 4 1 1: Setting prohibited	R/W
b7, b6	RTS[1:0]	RXDX12 Reception Sampling Timing Select	<ul style="list-style-type: none"> • When SCI12.SEMR.ABCS = 0 <ul style="list-style-type: none"> b7 b6 0 0: Rising edge of the 8th cycle of SCI base clock 0 1: Rising edge of the 10th cycle of SCI base clock 1 0: Rising edge of the 12th cycle of SCI base clock 1 1: Rising edge of the 14th cycle of SCI base clock • When SCI12.SEMR.ABCS = 1 <ul style="list-style-type: none"> b7 b6 0 0: Rising edge of the 4th cycle of SCI base clock 0 1: Rising edge of the 5th cycle of SCI base clock 1 0: Rising edge of the 6th cycle of SCI base clock 1 1: Rising edge of the 7th cycle of SCI base clock 	R/W

Note 1. The period of the SCI base clock is 1/16 of a single bit period when the SCI12.SEMR.ABCS is 0, and 1/8 of a single bit period when the SCI12.SEMR.ABCS is 1. To use the SCI base clock, set the SCI12.SCR.TE bit to 1.

29.2.21 Control Register 3 (CR3)

Address(es): SCI12.CR3 0008 B324h

b7	b6	b5	b4	b3	b2	b1	b0
—	—	—	—	—	—	—	SDST
0	0	0	0	0	0	0	0

Value after reset:

Bit	Symbol	Bit Name	Description	R/W
b0	SDST	Start Frame Detection Start	0: Detection of Start Frame is not performed. 1: Detection of Start Frame is performed.	R/W
b7 to b1	—	Reserved	These bits are read as 0. The write value should be 0.	R/W

SDST Bits (Start Frame Detection Start)

Detection of a Start Frame begins when this bit is set to 1. The bit is read as 0.

29.2.22 Port Control Register (PCR)

Address(es): SCI12.PCR 0008 B325h

b7	b6	b5	b4	b3	b2	b1	b0
—	—	—	SHARPS	—	—	RXDXP S	TXDXP S
0	0	0	0	0	0	0	0

Value after reset:

Bit	Symbol	Bit Name	Description	R/W
b0	TXDXPS	TXDX12 Signal Polarity Select	0: The polarity of TXDX12 signal is not inverted for output. 1: The polarity of TXDX12 signal is inverted for output.	R/W
b1	RXDXPS	RXDX12 Signal Polarity Select	0: The polarity of RXDX12 signal is not inverted for input. 1: The polarity of RXDX12 signal is inverted for input.	R/W
b3, b2	—	Reserved	These bits are read as 0. The write value should be 0.	R/W
b4	SHARPS	TXDX12/RXDX12 Pin Multiplexing Select	0: The TXDX12 and RXDX12 pins are independent. 1: The TXDX12 and RXDX12 signals are multiplexed on the same pin.	R/W
b7 to b5	—	Reserved	These bits are read as 0. The write value should be 0.	R/W

SHARPS Bit (TXDX12/RXDX12 Pin Multiplexing Selection)

When this bit is set to 1, the TXDX12 and RXDX12 signals are multiplexed on the same pin so that half-duplex communications become possible.

29.2.23 Interrupt Control Register (ICR)

Address(es): SCI12.ICR 0008 B326h

b7	b6	b5	b4	b3	b2	b1	b0
—	—	AEDIE	BCDIE	PIBDIE	CF1MIE	CF0MIE	BFDIE
0	0	0	0	0	0	0	0

Value after reset:

Bit	Symbol	Bit Name	Description	R/W
b0	BFDIE	Break Field Low Width Detected Interrupt Enable	0: Interrupts on detection of the low width for a Break Field are disabled. 1: Interrupts on detection of the low width for a Break Field are enabled.	R/W
b1	CF0MIE	Control Field 0 Match Detected Interrupt Enable	0: Interrupts on detection of a match with Control Field 0 are disabled. 1: Interrupts on detection of a match with Control Field 0 are enabled.	R/W
b2	CF1MIE	Control Field 1 Match Detected Interrupt Enable	0: Interrupts on detection of a match with Control Field 1 are disabled. 1: Interrupts on detection of a match with Control Field 1 are enabled.	R/W
b3	PIBDIE	Priority Interrupt Bit Detected Interrupt Enable	0: Interrupts on detection of the priority interrupt bit are disabled. 1: Interrupts on detection of the priority interrupt bit are enabled.	R/W
b4	BCDIE	Bus Collision Detected Interrupt Enable	0: Interrupts on detection of a bus collision are disabled. 1: Interrupts on detection of a bus collision are enabled.	R/W
b5	AEDIE	Valid Edge Detected Interrupt Enable	0: Interrupts on detection of a valid edge are disabled. 1: Interrupts on detection of a valid edge are enabled.	R/W
b7, b6	—	Reserved	These bits are read as 0. The write value should be 0.	R/W

29.2.24 Status Register (STR)

Address(es): SCI12.STR 0008 B327h

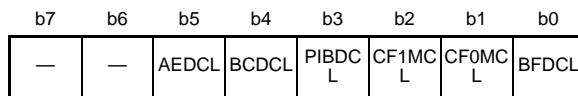
b7	b6	b5	b4	b3	b2	b1	b0
—	—	AEDF	BCDF	PIBDF	CF1MF	CF0MF	BDFD

Value after reset: 0 0 0 0 0 0 0 0

Bit	Symbol	Bit Name	Description	R/W
b0	BDFD	Break Field Low Width Detection Flag	[Setting conditions] <ul style="list-style-type: none"> Detection of the low width for a Break Field Completion of the output of the low width for a Break Field Underflow of the timer [Clearing condition] <ul style="list-style-type: none"> Writing 1 to the BFDCL bit in STCR 	R
b1	CF0MF	Control Field 0 Match Flag	[Setting condition] <ul style="list-style-type: none"> A match between the value received in Control Field 0 and the set value. [Clearing condition] <ul style="list-style-type: none"> Writing 1 to the CF0MCL bit in STCR 	R
b2	CF1MF	Control Field 1 Match Flag	[Setting condition] <ul style="list-style-type: none"> A match between the data received in Control Field 1 and the set values. [Clearing condition] <ul style="list-style-type: none"> Writing 1 to the CF1MCL bit in STCR 	R
b3	PIBDF	Priority Interrupt Bit Detection Flag	[Setting condition] <ul style="list-style-type: none"> Detection of the priority interrupt bit [Clearing condition] <ul style="list-style-type: none"> Writing 1 to the PIBDCL bit in STCR 	R
b4	BCDF	Bus Collision Detected Flag	[Setting condition] <ul style="list-style-type: none"> Detection of the bus collision [Clearing condition] <ul style="list-style-type: none"> Writing 1 to the BCDCL bit in STCR 	R
b5	AEDF	Valid Edge Detection Flag	[Setting condition] <ul style="list-style-type: none"> Detection of a valid edge [Clearing condition] <ul style="list-style-type: none"> Writing 1 to the AEDCL bit in STCR 	R
b7, b6	—	Reserved	These bits are read as 0. The write value should be 0.	R

29.2.25 Status Clear Register (STCR)

Address(es): SCI12.STCR 0008 B328h

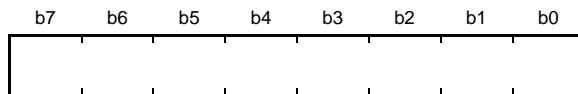


Value after reset: 0 0 0 0 0 0 0 0

Bit	Symbol	Bit Name	Description	R/W
b0	BFDCCL	BFDF Clear	Setting this bit to 1 clears the STR.BFDF flag. This bit is read as 0.	R/W
b1	CF0MCL	CF0MF Clear	Setting this bit to 1 clears the STR.CF0MF flag. This bit is read as 0.	R/W
b2	CF1MCL	CF1MF Clear	Setting this bit to 1 clears the STR.CF1MF flag. This bit is read as 0.	R/W
b3	PIBDCCL	PIBDF Clear	Setting this bit to 1 clears the STR.PIBDF flag. This bit is read as 0.	R/W
b4	BCDCL	BCDF Clear	Setting this bit to 1 clears the STR.BCDF flag. This bit is read as 0.	R/W
b5	AEDCL	AEDF Clear	Setting this bit to 1 clears the STR.AEDF flag. This bit is read as 0.	R/W
b7, b6	—	Reserved	These bits are read as 0. The write value should be 0.	R/W

29.2.26 Control Field 0 Data Register (CF0DR)

Address(es): SCI12.CF0DR 0008 B329h



Value after reset: 0 0 0 0 0 0 0 0

CF0DR is an 8-bit readable and writable register that holds a value for comparison with Control Field 0.

29.2.27 Control Field 0 Compare Enable Register (CF0CR)

Address(es): SCI12.CF0CR 0008 B32Ah

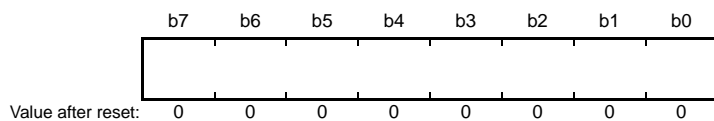
b7	b6	b5	b4	b3	b2	b1	b0
CF0CE7	CF0CE6	CF0CE5	CF0CE4	CF0CE3	CF0CE2	CF0CE1	CF0CE0

Value after reset: 0 0 0 0 0 0 0 0

Bit	Symbol	Bit Name	Description	R/W
b0	CF0CE0	Control Field 0 Bit 0 Compare Enable	0: Comparison with bit 0 of Control Field 0 is disabled. 1: Comparison with bit 0 of Control Field 0 is enabled.	R/W
b1	CF0CE1	Control Field 0 Bit 1 Compare Enable	0: Comparison with bit 1 of Control Field 0 is disabled. 1: Comparison with bit 1 of Control Field 0 is enabled.	R/W
b2	CF0CE2	Control Field 0 Bit 2 Compare Enable	0: Comparison with bit 2 of Control Field 0 is disabled. 1: Comparison with bit 2 of Control Field 0 is enabled.	R/W
b3	CF0CE3	Control Field 0 Bit 3 Compare Enable	0: Comparison with bit 3 of Control Field 0 is disabled. 1: Comparison with bit 3 of Control Field 0 is enabled.	R/W
b4	CF0CE4	Control Field 0 Bit 4 Compare Enable	0: Comparison with bit 4 of Control Field 0 is disabled. 1: Comparison with bit 4 of Control Field 0 is enabled.	R/W
b5	CF0CE5	Control Field 0 Bit 5 Compare Enable	0: Comparison with bit 5 of Control Field 0 is disabled. 1: Comparison with bit 5 of Control Field 0 is enabled.	R/W
b6	CF0CE6	Control Field 0 Bit 6 Compare Enable	0: Comparison with bit 6 of Control Field 0 is disabled. 1: Comparison with bit 6 of Control Field 0 is enabled.	R/W
b7	CF0CE7	Control Field 0 Bit 7 Compare Enable	0: Comparison with bit 7 of Control Field 0 is disabled. 1: Comparison with bit 7 of Control Field 0 is enabled.	R/W

29.2.28 Control Field 0 Receive Data Register (CF0RR)

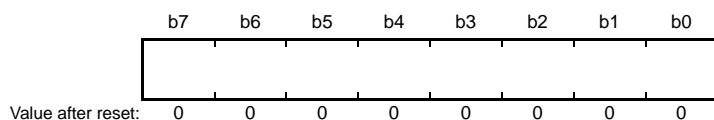
Address(es): SCI12.CF0RR 0008 B32Bh



CF0RR is a read-only register that holds the value received in Control Field 0. Writing to this register from the CPU or DTC is not possible.

29.2.29 Primary Control Field 1 Data Register (PCF1DR)

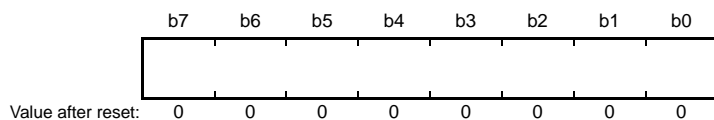
Address(es): SCI12.PCF1DR 0008 B32Ch



PCF1DR is an 8-bit readable and writable register that holds the 8-bit primary value for comparison with Control Field 1.

29.2.30 Secondary Control Field 1 Data Register (SCF1DR)

Address(es): SCI12.SCF1DR 0008 B32Dh



SCF1DR is an 8-bit readable and writable register that holds the 8-bit secondary value for comparison with Control Field 1.

29.2.31 Control Field 1 Compare Enable Register (CF1CR)

Address(es): SCI12.CF1CR 0008 B32Eh

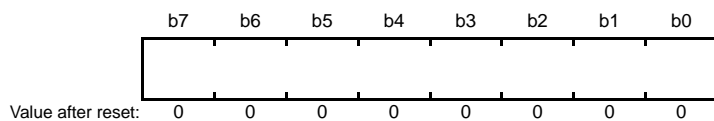
b7	b6	b5	b4	b3	b2	b1	b0
CF1CE7	CF1CE6	CF1CE5	CF1CE4	CF1CE3	CF1CE2	CF1CE1	CF1CE0

Value after reset: 0 0 0 0 0 0 0 0

Bit	Symbol	Bit Name	Description	R/W
b0	CF1CE0	Control Field 1 Bit 0 Compare Enable	0: Comparison with bit 0 of Control Field 1 is disabled. 1: Comparison with bit 0 of Control Field 1 is enabled.	R/W
b1	CF1CE1	Control Field 1 Bit 1 Compare Enable	0: Comparison with bit 1 of Control Field 1 is disabled. 1: Comparison with bit 1 of Control Field 1 is enabled.	R/W
b2	CF1CE2	Control Field 1 Bit 2 Compare Enable	0: Comparison with bit 2 of Control Field 1 is disabled. 1: Comparison with bit 2 of Control Field 1 is enabled.	R/W
b3	CF1CE3	Control Field 1 Bit 3 Compare Enable	0: Comparison with bit 3 of Control Field 1 is disabled. 1: Comparison with bit 3 of Control Field 1 is enabled.	R/W
b4	CF1CE4	Control Field 1 Bit 4 Compare Enable	0: Comparison with bit 4 of Control Field 1 is disabled. 1: Comparison with bit 4 of Control Field 1 is enabled.	R/W
b5	CF1CE5	Control Field 1 Bit 5 Compare Enable	0: Comparison with bit 5 of Control Field 1 is disabled. 1: Comparison with bit 5 of Control Field 1 is enabled.	R/W
b6	CF1CE6	Control Field 1 Bit 6 Compare Enable	0: Comparison with bit 6 of Control Field 1 is disabled. 1: Comparison with bit 6 of Control Field 1 is enabled.	R/W
b6	CF1CE7	Control Field 1 Bit 7 Compare Enable	0: Comparison with bit 7 of Control Field 1 is disabled. 1: Comparison with bit 7 of Control Field 1 is enabled.	R/W

29.2.32 Control Field 1 Receive Data Register (CF1RR)

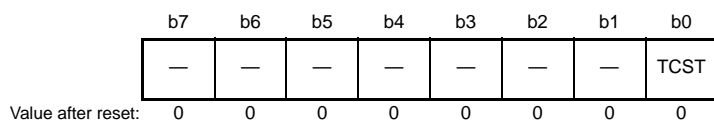
Address(es): SCI12.CF1RR 0008 B32Fh



CF1RR is a read-only register that holds the value received in Control Field 1. Writing to this register from the CPU or DTC is not possible.

29.2.33 Timer Control Register (TCR)

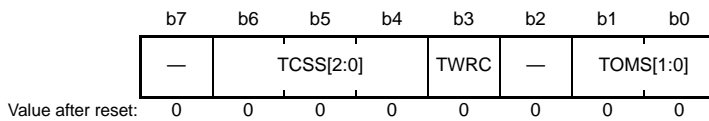
Address(es): SCI12.TCR 0008 B330h



Bit	Symbol	Bit Name	Description	R/W
b0	TCST	Timer Count Start	0: Stops the timer counting 1: Starts the timer counting	R/W
b7 to b1	—	Reserved	These bits are read as 0. The write value should be 0.	R/W

29.2.34 Timer Mode Register (TMR)

Address(es): SCI12.TMR 0008 B331h



Bit	Symbol	Bit Name	Description	R/W
b1, b0	TOMS[1:0]	Timer Operating Mode Select* ¹	b1 b0 0 0: Timer mode 0 1: Break Field low width determination mode 1 0: Break Field low width output mode 1 1: Setting prohibited	R/W
b2	—	Reserved	This bit is read as 0. The write value should be 0.	R/W
b3	TWRC	Counter Write Control	0: Writing is to the reload register and the counter. 1: Writing is only to the reload register	R/W
b6 to b4	TCSS[2:0]	Timer Count Clock Source Select* ¹	b6 b4 0 0 0: PCLK 0 0 1: PCLK/2 0 1 0: PCLK/4 0 1 1: PCLK/8 1 0 0: PCLK/16 1 0 1: PCLK/32 1 1 0: PCLK/64 1 1 1: PCLK/128	R/W
b7	—	Reserved	This bit is read as 0. The write value should be 0.	R/W

Note 1. Rewrite the TOMS[1:0] and TCSS[2:0] bits only when the timer is stopped (TCST = 0).

TWRC Bit (Counter Write Control)

These bits determine whether a value written to TPRES or TCNT is only written to the reload register or is written to both the reload register and the counter.

29.2.35 Timer Prescaler Register (TPRE)

Address(es): SCI12.TPRE 0008 B332h



TPRE consists of an eight-bit reload register, a read buffer, and a counter, each of which has FFh as its initial value. The counter counts down in synchronization with the counter clock selected by the TMR.TCSS[2:0] bits, and is reloaded with the value in the reload register when it underflows. Underflows of this register provide the clock source to drive counting by the TCNT register. The reload register and read buffer are allocated to the same address, so in writing, transfer is to the reload register and in reading, transfer is of the counter value from the read buffer.

It takes 1 system operating clock cycle to load a value from the reload register to the counter.

29.2.36 Timer Count Register (TCNT)

Address(es): SCI12.TCNT0008 B333h



TCNT consists of an eight-bit reload register, a read buffer, and a counter, each of which has FFh as its initial value. This down-counter counts underflows of the TPRE register until the TCNT register underflows, and is then reloaded with the value from the reload register. The reload register and read buffer are allocated to the same address, so in writing, transfer is to the reload register and in reading, transfer is of the counter value from the read buffer.

It takes 1 system operating clock cycle to load a value from the reload register to the counter.

29.3 Operation in Asynchronous Mode

Figure 29.5 shows the general format for asynchronous serial communications.

One frame consists of a start bit (low level), transmit/receive data, a parity bit, and stop bits (high level).

In asynchronous serial communications, the communications line is usually held in the mark state (high level).

The SCI monitors the communications line, and when it goes to the space state (low level), recognizes a start bit and starts serial communications.

Inside the SCI, the transmitter and receiver are independent units, enabling full-duplex communications. Both the transmitter and the receiver also have a double-buffered structure, so that data can be read or written during transmission or reception, enabling continuous data transmission and reception.

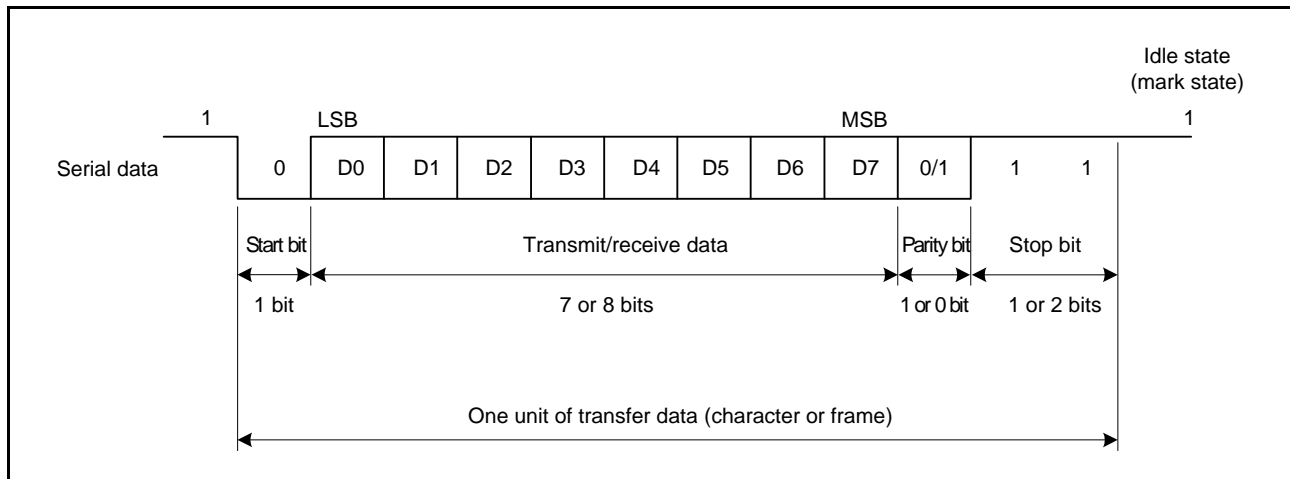


Figure 29.5 Data Format in Asynchronous Serial Communications
(Example with 8-Bit Data, Parity, Two Stop Bits)

29.3.1 Serial Data Transfer Format

Table 29.22 lists the serial data transfer formats that can be used in asynchronous mode.

Any of 12 transfer formats can be selected according to the SMR setting. For details of multi-processor function, see section 29.4, Multi-Processor Communications Function.

Table 29.22 Serial Transfer Formats (Asynchronous Mode)

SMR Setting				Serial Transfer Format and Frame Length												
CHR	PE	MP	STOP	1	2	3	4	5	6	7	8	9	10	11	12	
0	0	0	0	S	8-bit data								STOP			
0	0	0	1	S	8-bit data								STOP	STOP		
0	1	0	0	S	8-bit data								P	STOP		
0	1	0	1	S	8-bit data								P	STOP	STOP	
1	0	0	0	S	7-bit data							STOP				
1	0	0	1	S	7-bit data							STOP	STOP			
1	1	0	0	S	7-bit data							P	STOP			
1	1	0	1	S	7-bit data							P	STOP	STOP		
0	—	1	0	S	8-bit data								MPB	STOP		
0	—	1	1	S	8-bit data								MPB	STOP	STOP	
1	—	1	0	S	7-bit data							MPB	STOP			
1	—	1	1	S	7-bit data							MPB	STOP	STOP		

S: Start bit
 STOP: Stop bit
 P: Parity bit
 MPB: Multi-processor bit

29.3.2 Receive Data Sampling Timing and Reception Margin in Asynchronous Mode

In asynchronous mode, the SCI operates on a base clock with a frequency of 16 times*1 the bit rate.

In reception, the SCI samples the falling edge of the start bit using the base clock, and performs internal synchronization. Since receive data is sampled at the rising edge of the 8th pulse*1 of the base clock, data is latched at the middle of each bit, as shown in Figure 29.6. Thus the reception margin in asynchronous mode is determined by formula (1) below.

$$M = \left| \left(0.5 - \frac{1}{2N} \right) - (L - 0.5) F - \frac{|D - 0.5|}{N} (1 + F) \right| \times 100 [\%] \cdots \text{Formula (1)}$$

M: Reception margin

N: Ratio of bit rate to clock (N = 16 when ABCS in SEMR = 0, N = 8 when ABCS in SEMR = 1)

D: Duty cycle of clock (D = 0.5 to 1.0)

L: Frame length (L = 9 to 12)

F: Absolute value of clock frequency deviation

Assuming values of F = 0 and D = 0.5 in formula (1), the reception margin is determined by the formula below.

$$M = \{0.5 - 1/(2 \times 16)\} \times 100 (\%) = 46.875\%$$

However, this is only the computed value, and a margin of 20% to 30% should be allowed in system design.

Note 1. This is an example when the ABCS bit in SEMR is 0. When the ABCS bit is 1, a frequency of 8 times the bit rate is used as a base clock and receive data is sampled at the rising edge of the 4th pulse of the base clock.

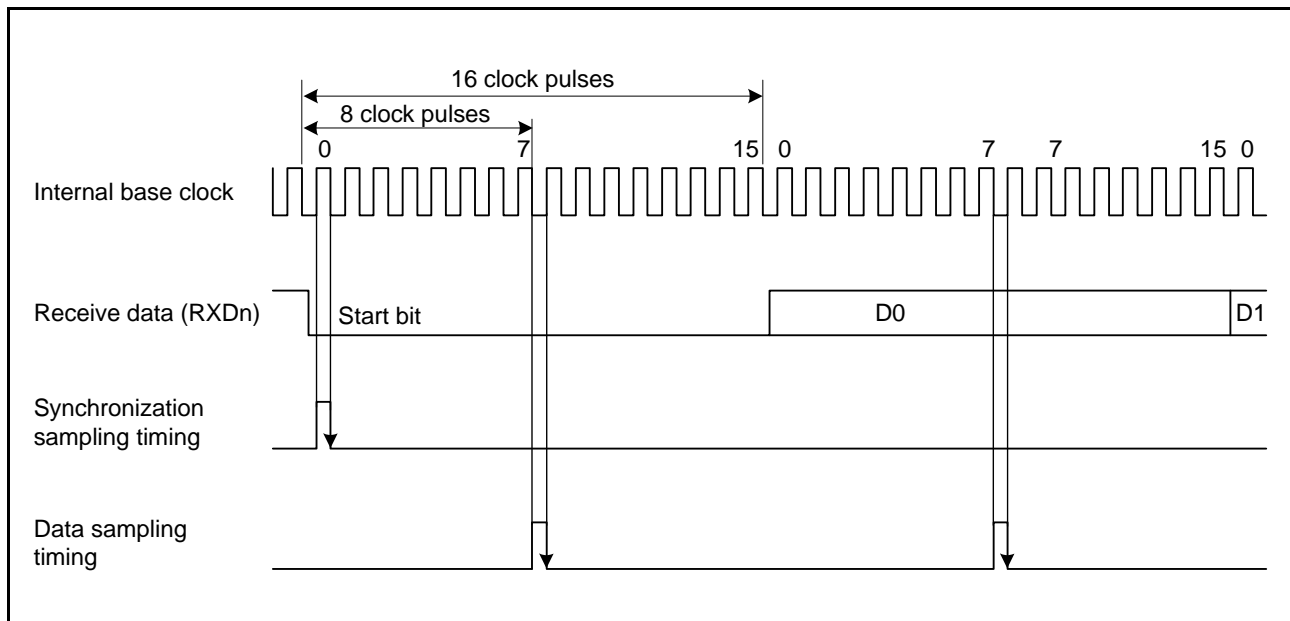


Figure 29.6 Receive Data Sampling Timing in Asynchronous Mode

29.3.3 Clock

Either an internal clock generated by the on-chip baud rate generator or an external clock input to the SCKn pin can be selected as the SCI's transfer clock, according to the setting of the CM bit in SMR and the CKE[1:0] bits in SCR.

When an external clock is input to the SCKn pin, the clock frequency should be 16 times the bit rate (when ABCS in SEMR = 0) and 8 times the bit rate (when ABCS in SEMR = 1). In addition, when an external clock is specified, the base clock of TMR0 and TMR1 can be selected by the ACS0 bit in SEMR of SCIn (n = 5, 6, 12).

When the SCI is operated on an internal clock, the clock can be output from the SCKn pin. The frequency of the clock output in this case is equal to the bit rate, and the phase is such that the rising edge of the clock is in the middle of the transmit data, as shown in Figure 29.7.

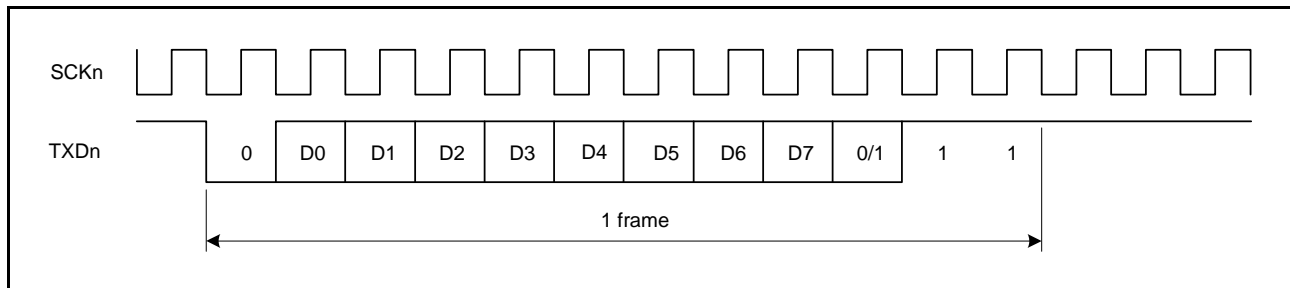


Figure 29.7 Phase Relationship between Output Clock and Transmit Data
(Asynchronous Mode: SMR.CHR = 0, PE = 1, MP = 0, STOP = 1)

29.3.4 CTS and RTS Functions

The CTS function is the use of input on the CTSn# pin in transmission control. Setting the SPMR.CTSE bit to 1 enables the CTS function. When the CTS function is enabled, placing the low level on the CTSn# pin causes transmission to start.

Applying the low level to the CTS# pin while transmission is in progress does not affect transmission of the current frame, which continues.

In the RTS function, by using the function of output on the RTSn# pin, a low level is output when reception becomes possible. Conditions for output of the low and high level are shown below.

[Conditions for low-level output]

Satisfaction of all conditions listed below

- The value of the RE bit in the SCR is 1
- Reception is not in progress
- There are no received data yet to be read
- The ORER, FER, and PER flags in the SSR are all 0

[Condition for high-level output]

- The conditions for low-level output have not been satisfied.

29.3.5 SCI Initialization (Asynchronous Mode)

Before transmitting and receiving data, start by writing the initial value “00h” to SCR and then continue through the procedure for SCI given in the sample flowchart (Figure 29.8). Whenever the operating mode or transfer format is changed, SCR must be initialized before the change is made.

When the external clock is used in asynchronous mode, ensure that the clock signal is supplied even during initialization. Note that clearing the SCR.RE bit to 0 initializes neither the ORER, FER, and PER flags in SSR nor RDR.

Moreover, note that switching the value of the SCR.TE bit from 1 to 0 or 0 to 1 while the SCR.TIE bit is 1 leads to the generation of a TXI interrupt request.

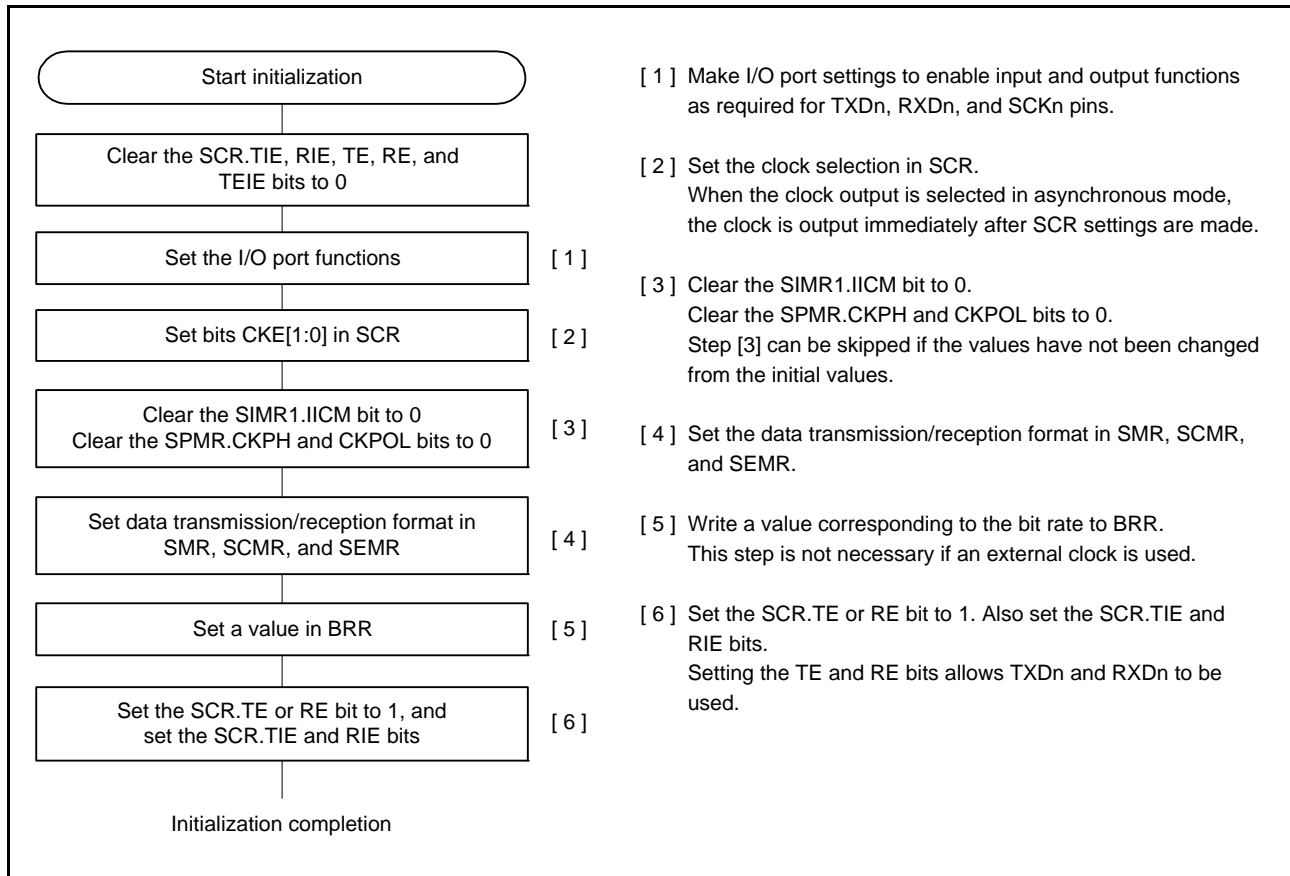


Figure 29.8 Sample SCI Initialization Flowchart (Asynchronous Mode)

29.3.6 Serial Data Transmission (Asynchronous Mode)

Figure 29.9 shows an example of the operation for serial transmission in asynchronous mode.

In serial transmission, the SCI operates as described below.

1. The SCI transfers data from TDR to TSR when data is written to TDR in the TXI interrupt processing routine. The TXI interrupt request at the beginning of transmission is generated when the TE bit in SCR is set to 1 after the TIE bit in SCR is set to 1 or when these two bits are set to 1 simultaneously by a single instruction.
2. Transmission starts after the CTSE bit in SPMR is set to 0 (disabling the CTS function) and a low level on the CTS# pin causes data transfer from TDR to TSR. If the TIE bit in SCR is 1 at this time, a TXI interrupt request is generated. Continuous transmission is obtainable by writing the next data for transmission to TDR in the TXI interrupt processing routine before transmission of the current data for transmission is completed. When TEI interrupt requests are in use, set the SCR.TIE bit to 0 (disabling TXI requests) and the SCR.TEIE bit to 1 (enabling TEI requests) after the last of the data to be transmitted are written to the TDR from the processing routine for TXI requests.
3. Data is sent from the TXDn pin in the following order: start bit, transmit data, parity bit or multi-processor bit (may be omitted depending on the format), and stop bit.
4. The SCI checks for updating of (writing to) TDR at the time of stop bit output.
5. When TDR is updated, setting of the CTSE bit in SPMR to 0 (CTS function disabled) or a low level input on the CTSn# pin cause the next transfer of the next data for transmission from TDR to TSR and sending of the stop bit, after which serial transmission of the next frame starts.
6. If TDR is not updated, the TEND flag in SSR is set to 1, the stop bit is sent, and then the mark state is entered in which 1 is output. If the TEIE flag in SCR is 1 at this time, the TEND flag in SSR is set to 1 and a TEI interrupt request is generated.

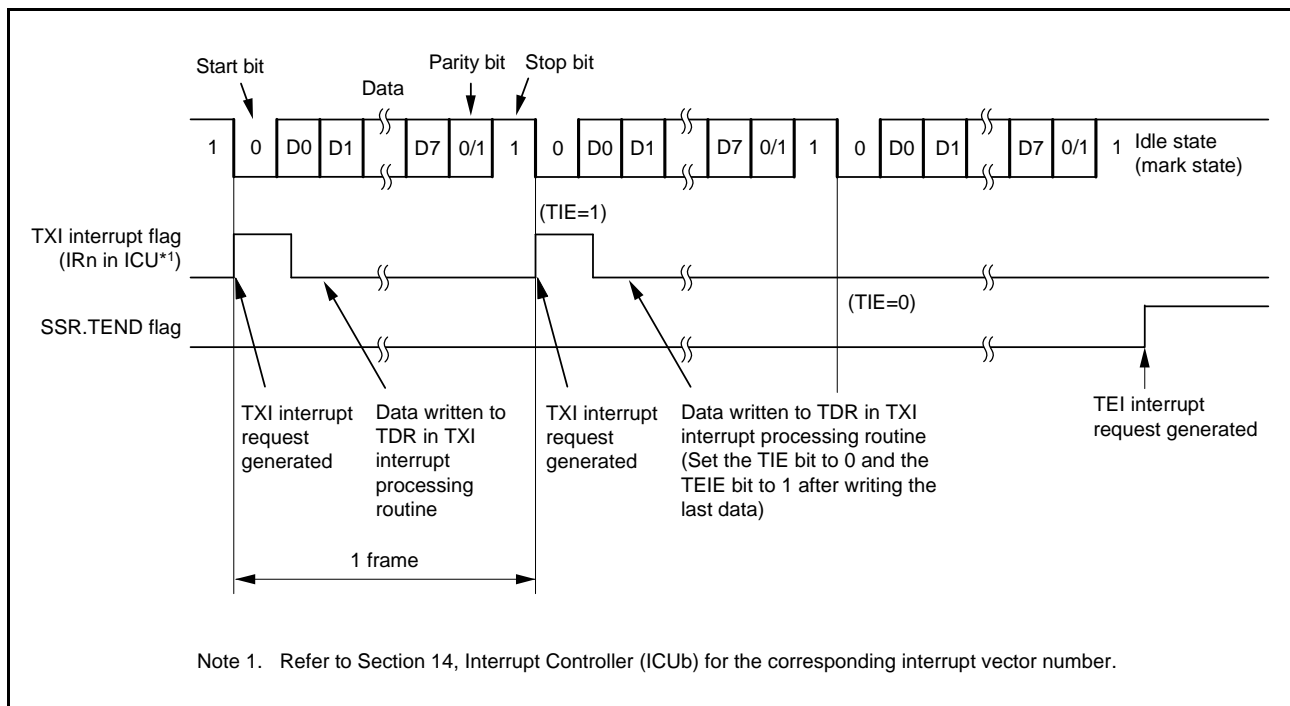


Figure 29.9 Example of Operation for Serial Transmission in Asynchronous Mode (from the Middle of Transmission until Transmission Completion) (Example with 8-Bit Data, Parity, One Stop Bit)

Figure 29.10 shows a sample flowchart for serial transmission in asynchronous mode.

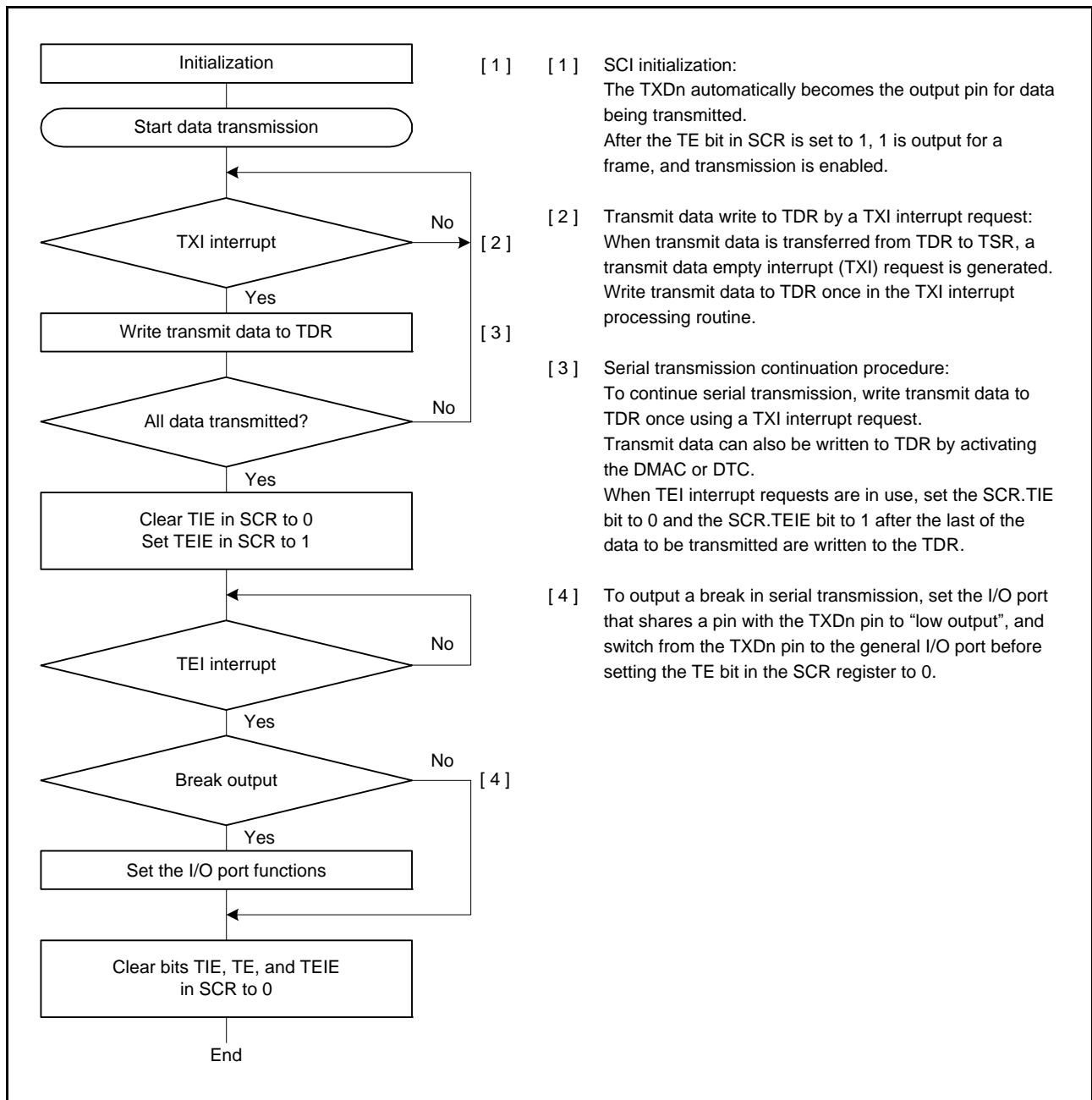
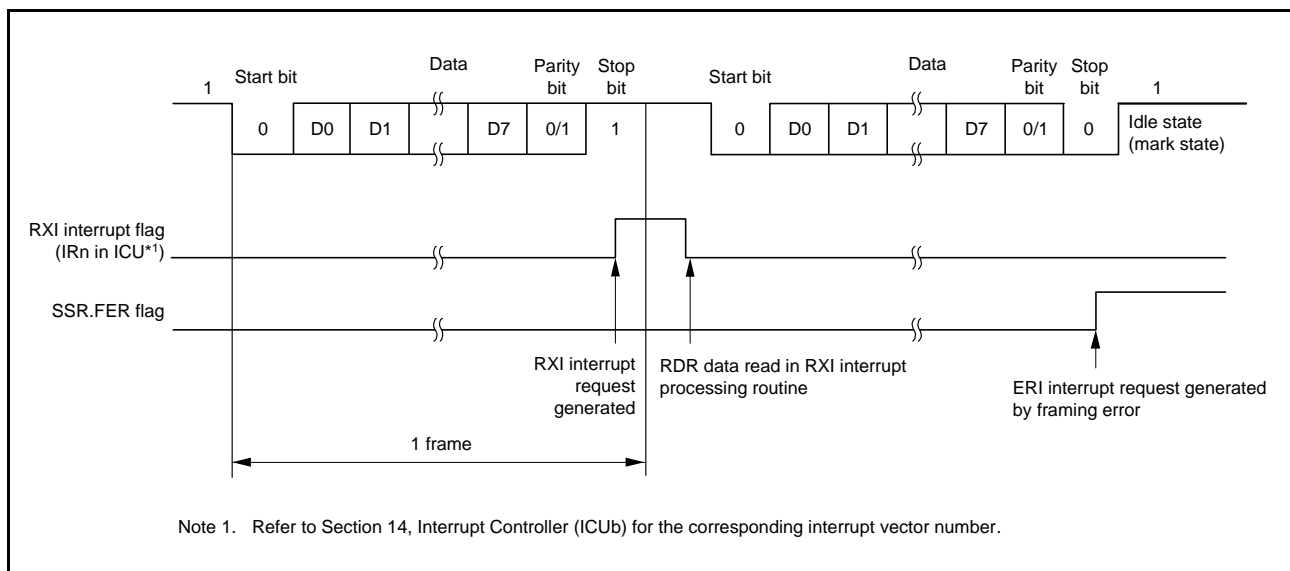


Figure 29.10 Example of Serial Transmission Flowchart in Asynchronous Mode

29.3.7 Serial Data Reception (Asynchronous Mode)

Figure 29.11 and Figure 29.12 show an example of the operation for serial data reception in asynchronous mode. In serial data reception, the SCI operates as described below.

1. When the value of the RE bit in SCR becomes 1, the output signal on the RTSn# pin goes to the low level.
2. When the SCI monitors the communications line and detects a start bit, it performs internal synchronization, stores receive data in RSR, and checks the parity bit and stop bit.
3. If an overrun error occurs, the ORER flag in SSR is set to 1. If the RIE bit in SCR is 1 at this time, an ERI interrupt request is generated. Receive data is not transferred to RDR.
4. If a parity error is detected, the PER bit in SSR is set to 1 and receive data is transferred to RDR. If the RIE bit in SCR is 1 at this time, an ERI interrupt request is generated.
5. If a framing error (when the stop bit is 0) is detected, the FER bit in SSR is set to 1 and receive data is transferred to RDR. If the RIE bit in SCR is 1 at this time, an ERI interrupt request is generated.
6. When reception finishes successfully, receive data is transferred to RDR. If the RIE bit in SCR is 1 at this time, an RXI interrupt request is generated. Continuous reception is enabled by reading the receive data transferred to RDR in this RXI interrupt processing routine before reception of the next receive data is completed. Reading out the received data that have been transferred to RDR causes the RTSn# pin to output the low level.



**Figure 29.11 Example of SCI Operation for Serial Reception in Asynchronous Mode (1)
(Example with 8-Bit Data, Parity, One Stop Bit)**

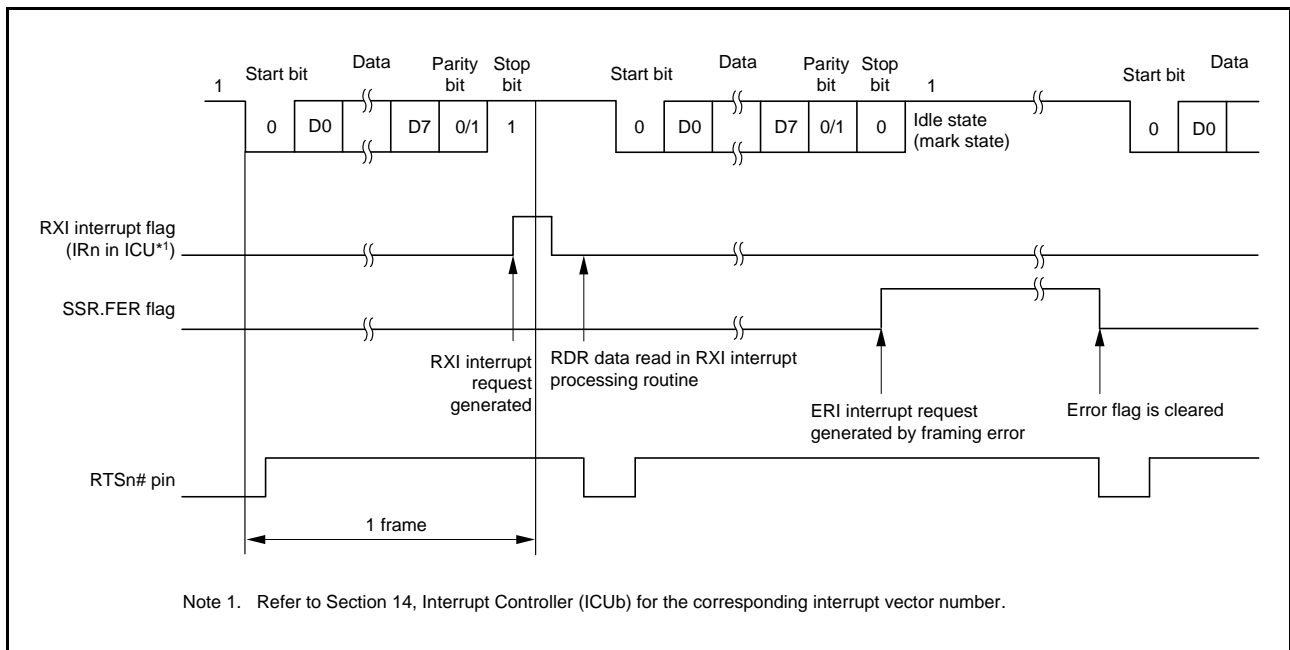


Figure 29.12 Example of SCI Operation for Serial Reception in Asynchronous Mode (2) (when RTS Function Is Used) (Example with 8-Bit Data, Parity, One Stop Bit)

Table 29.23 lists the states of the SSR status flags and receive data handling when a receive error is detected. If a receive error is detected, an ERI interrupt request is generated but an RXI interrupt request is not generated. Data reception cannot be resumed while the receive error flag is 1. Accordingly, clear the ORER, FER, and PER bits to 0 before resuming reception. Moreover, be sure to read the RDR during overrun error processing. Figure 29.13 and Figure 29.14 show samples of flowcharts for serial data reception.

Table 29.23 SSR Status Flags and Receive Data Handling

SSR Status Flag			Receive Data	Receive Error Type
ORER	FER	PER		
1	0	0	Lost	Overrun error
0	1	0	Transferred to RDR	Framing error
0	0	1	Transferred to RDR	Parity error
1	1	0	Lost	Overrun error + framing error
1	0	1	Lost	Overrun error + parity error
0	1	1	Transferred to RDR	Framing error + parity error
1	1	1	Lost	Overrun error + framing error + parity error

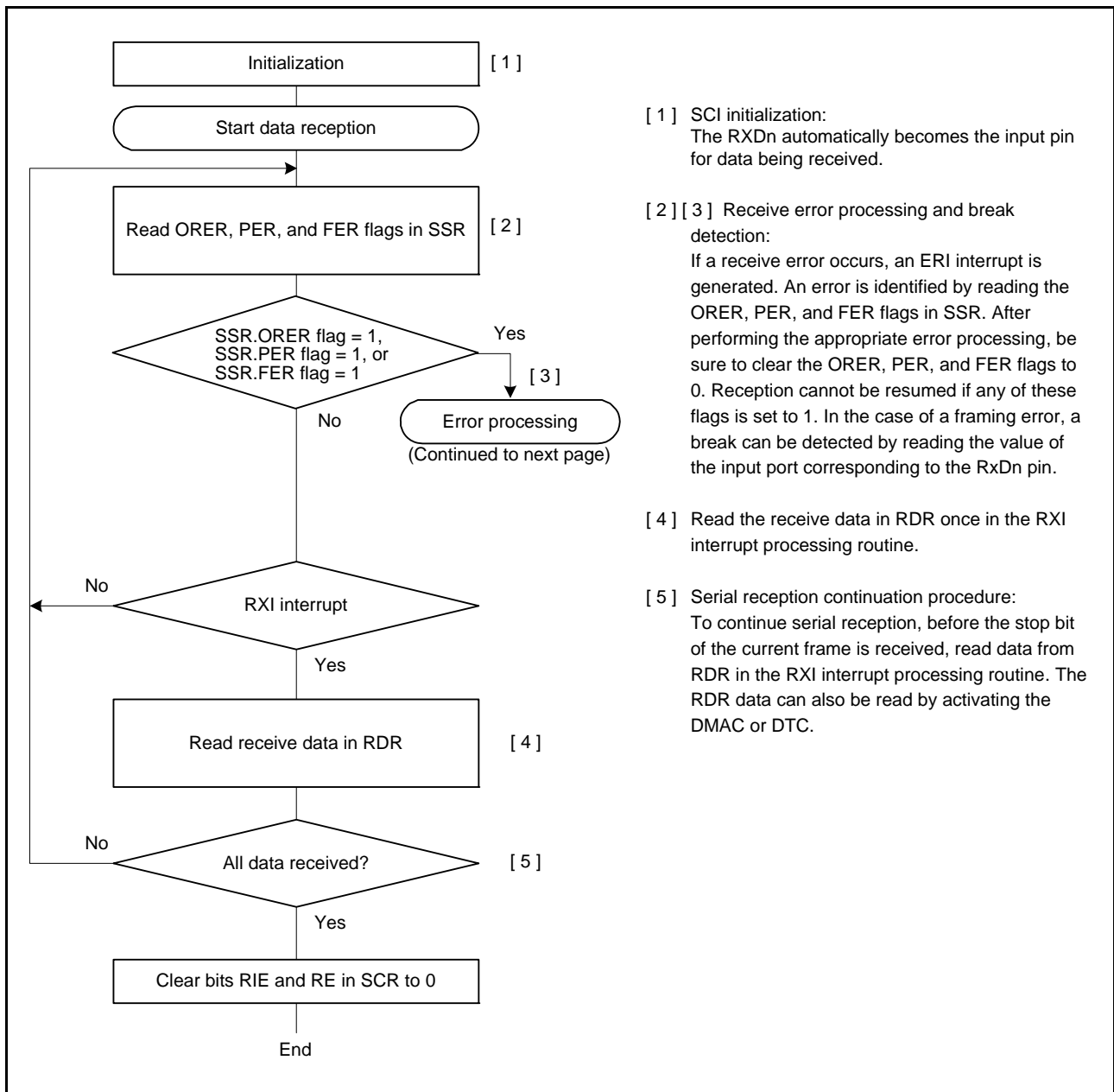


Figure 29.13 Example of Serial Reception Flowchart (1) (Asynchronous Mode)

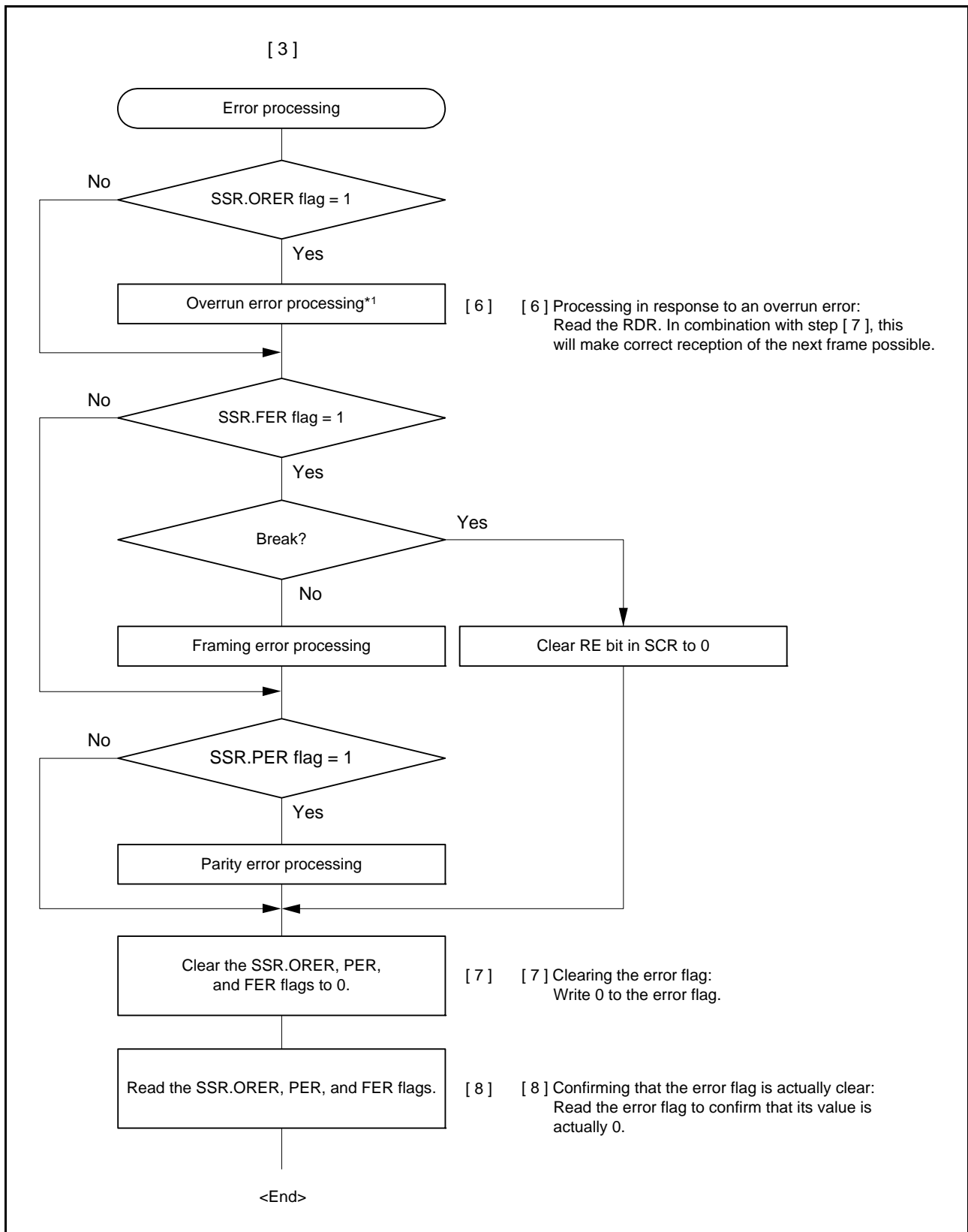


Figure 29.14 Example of Serial Reception Flowchart (2) (Asynchronous Mode)

29.4 Multi-Processor Communications Function

Using the multi-processor communication functions enables to transmit and receive data by sharing a communication line between multiple processors by using asynchronous serial communication in which the multi-processor bit is added. In multi-processor communication, a unique ID code is allocated to each receiving station. Serial communication cycles consist of an ID transmission cycle to specify the receiving station and a data transmission cycle to transmit data to the specified receiving station. The multi-processor bit is used to distinguish between the ID transmission cycle and the data transmission cycle. When the multi-processor bit is set to 1, it indicates the ID transmission cycle and when the multi-processor bit is set to 0, it indicates the data transmission cycle. Figure 29.15 shows an example of communication between processors by using a multi-processor format. First, a transmitting station transmits communication data in which the multi-processor bit set to 1 is added to the ID code of the receiving station. Next, the transmitting station transmits the communication data in which the multi-processor bit set to 0 is added to the transmission data. Upon receiving the communication data in which the multi-processor bit is set to 1, the receiving station compares the received ID with the ID of the receiving station itself and if the two match, receives the communication data that is subsequently transmitted. If the received ID does not match with the ID of the receiving station, the receiving station skips the communication data until again receiving the communication data in which the multi-processor bit is set to 1. For supporting this function, the SCI provides the MPIE bit in SCR. When the MPIE bit is set to 1, transfer of receive data from the RSR to the RDR, detection of a reception error, and setting the respective status flags ORER and FER in SSR are disabled until reception of data in which the multi-processor bit is set to 1. Upon receiving a reception character in which the multi-processor bit is set to 1, the MPBT bit in SSR is set to 1 and the MPIE bit in SCR is automatically cleared, thus returning to a normal reception operation. During this time, an RXI interrupt is generated if the RIE bit in SCR is set. When the multi-processor format is specified, specification of the parity bit is disabled. Apart from this, there is no difference from the operation in the normal asynchronous mode. A clock which is used for the multi-processor communication is also the same as the clock used in the normal asynchronous mode.

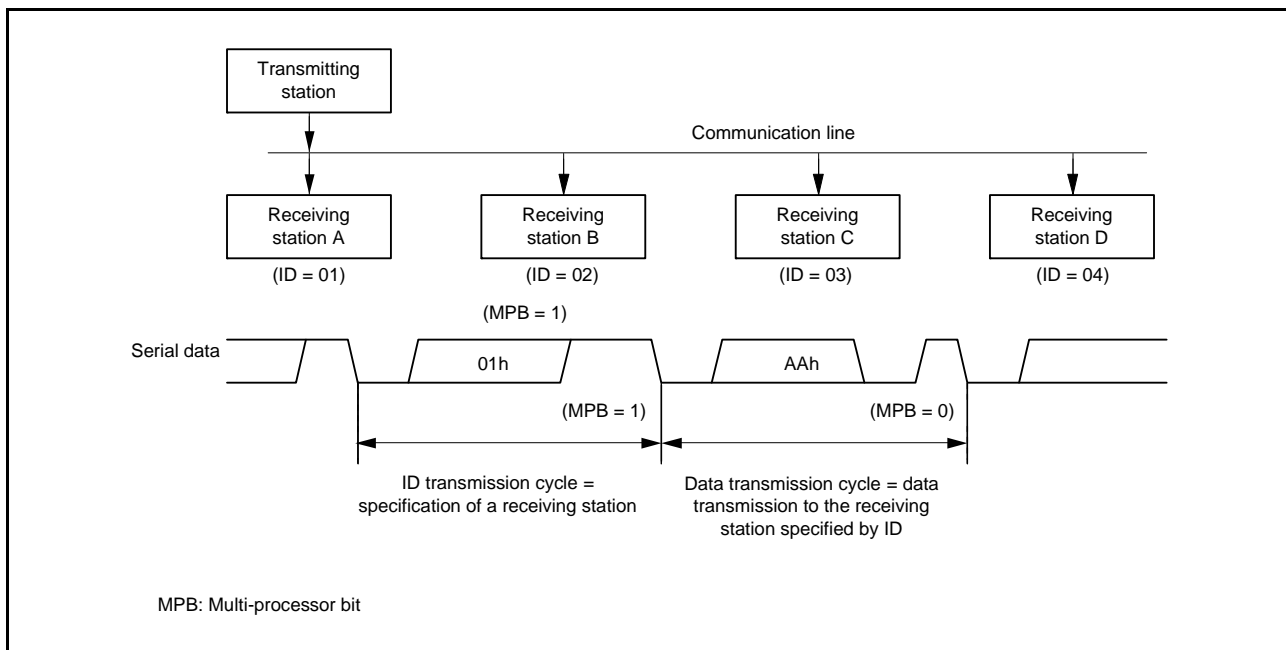


Figure 29.15 An Example of Communication using the Multi-Processor Format (Example of Transmission of Data AAh to Receiving Station A)

29.4.1 Multi-Processor Serial Data Transmission

Figure 29.16 is a sample flowchart of multi-processor data transmission. In the ID transmission cycle, the ID should be transmitted with the MPBT bit in SSR set to 1. In the data transmission cycle, the data should be transmitted with the MPBT bit set to 0. The other operations are the same as the operations in asynchronous mode.

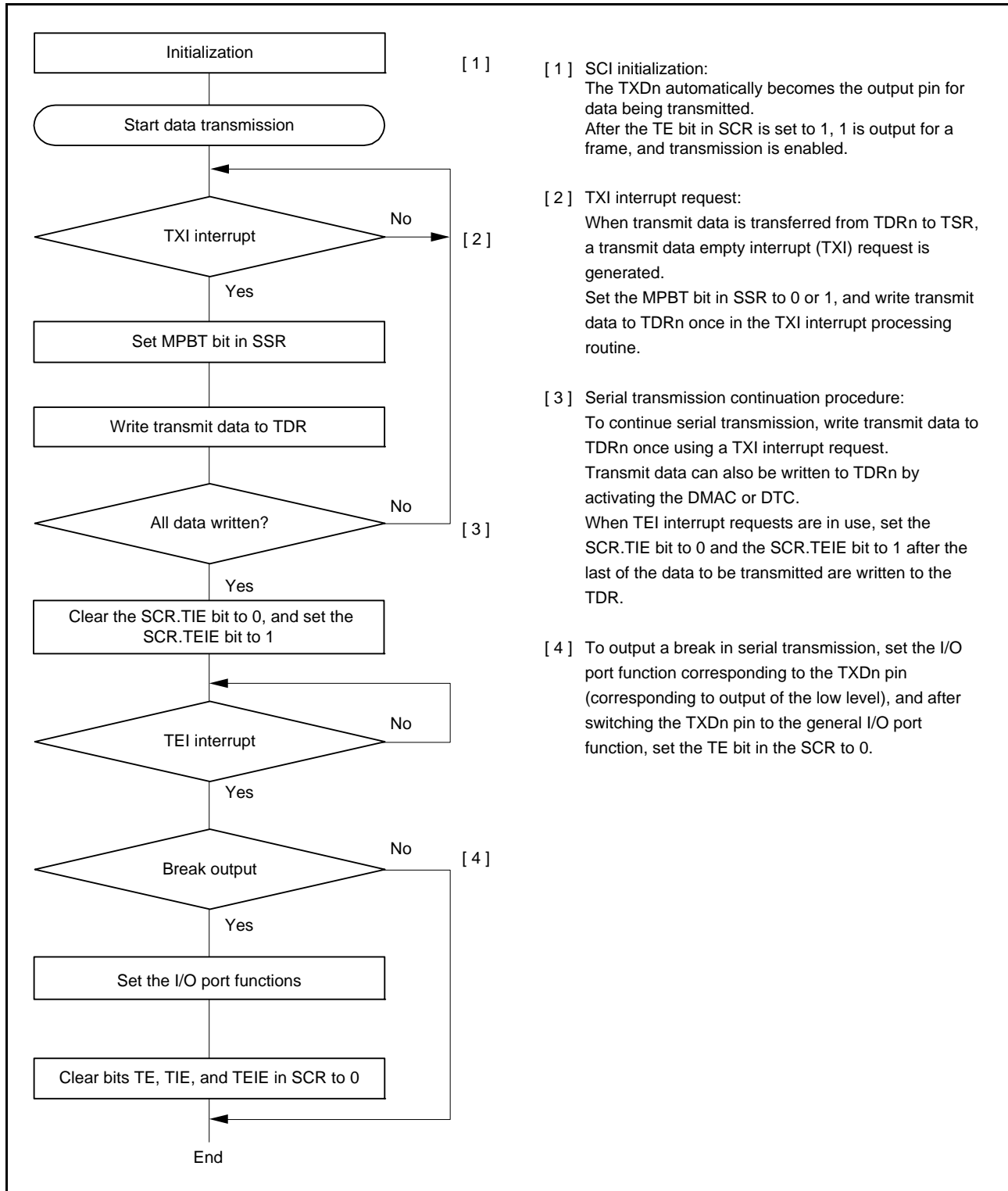


Figure 29.16 Example of Multi-Processor Serial Transmission Flowchart

29.4.2 Multi-Processor Serial Data Reception

Figure 29.18 and Figure 29.19 are sample flowcharts of multi-processor data reception. When the MPIE bit in SCR is set to 1, reading the communication data is skipped until reception of the communication data in which the multi-processor bit is set to 1. When the communication data in which the multi-processor bit is set to 1 is received, the received data is transferred to RDR. During this time, the RXI interrupt request is generated. The other operations are the same as the operations in asynchronous mode.

Figure 29.17 is the example of operation for reception.

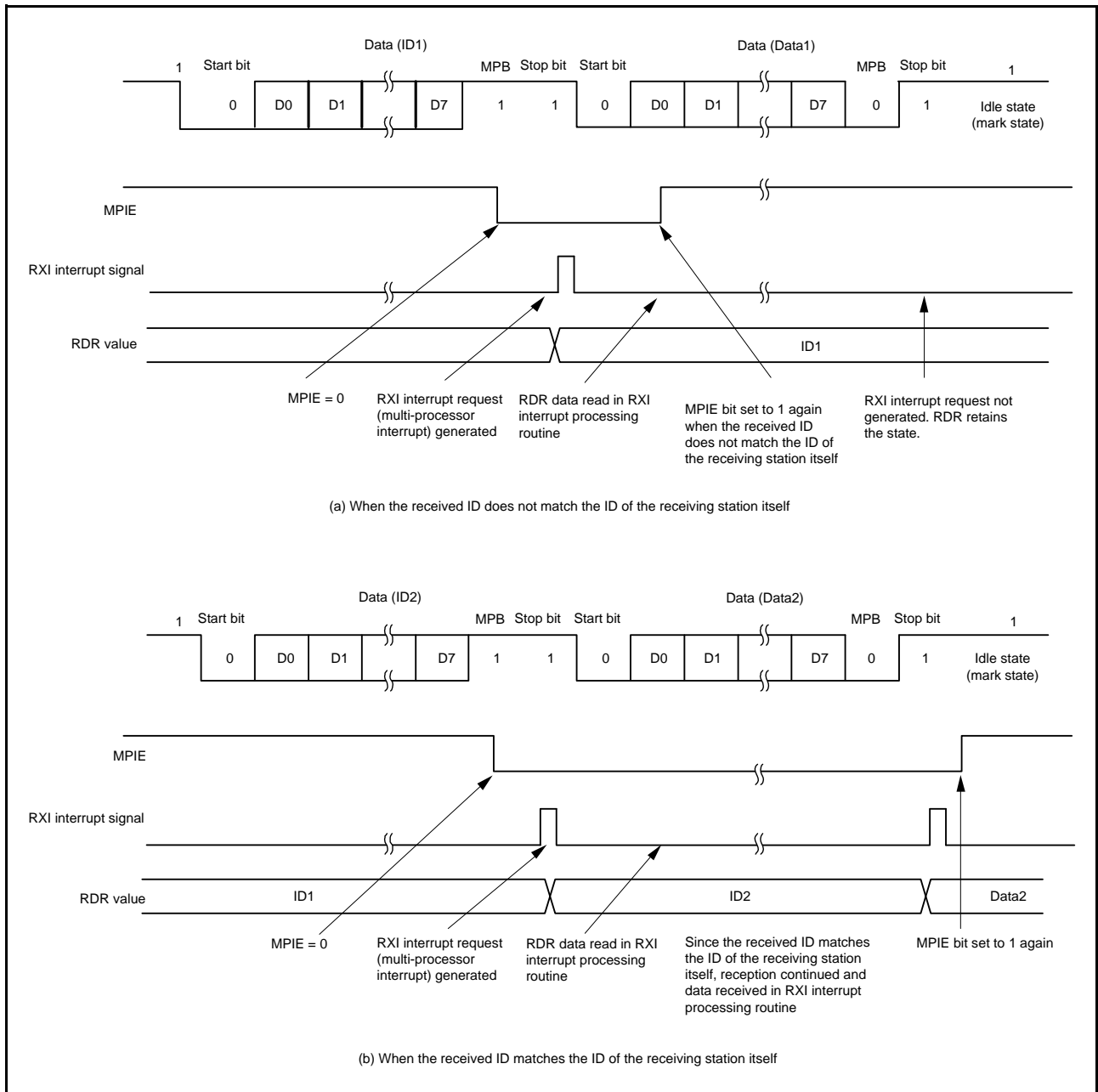


Figure 29.17 Example of SCI Reception (8-Bit Data/Multi-Processor Bit/One Stop Bit)

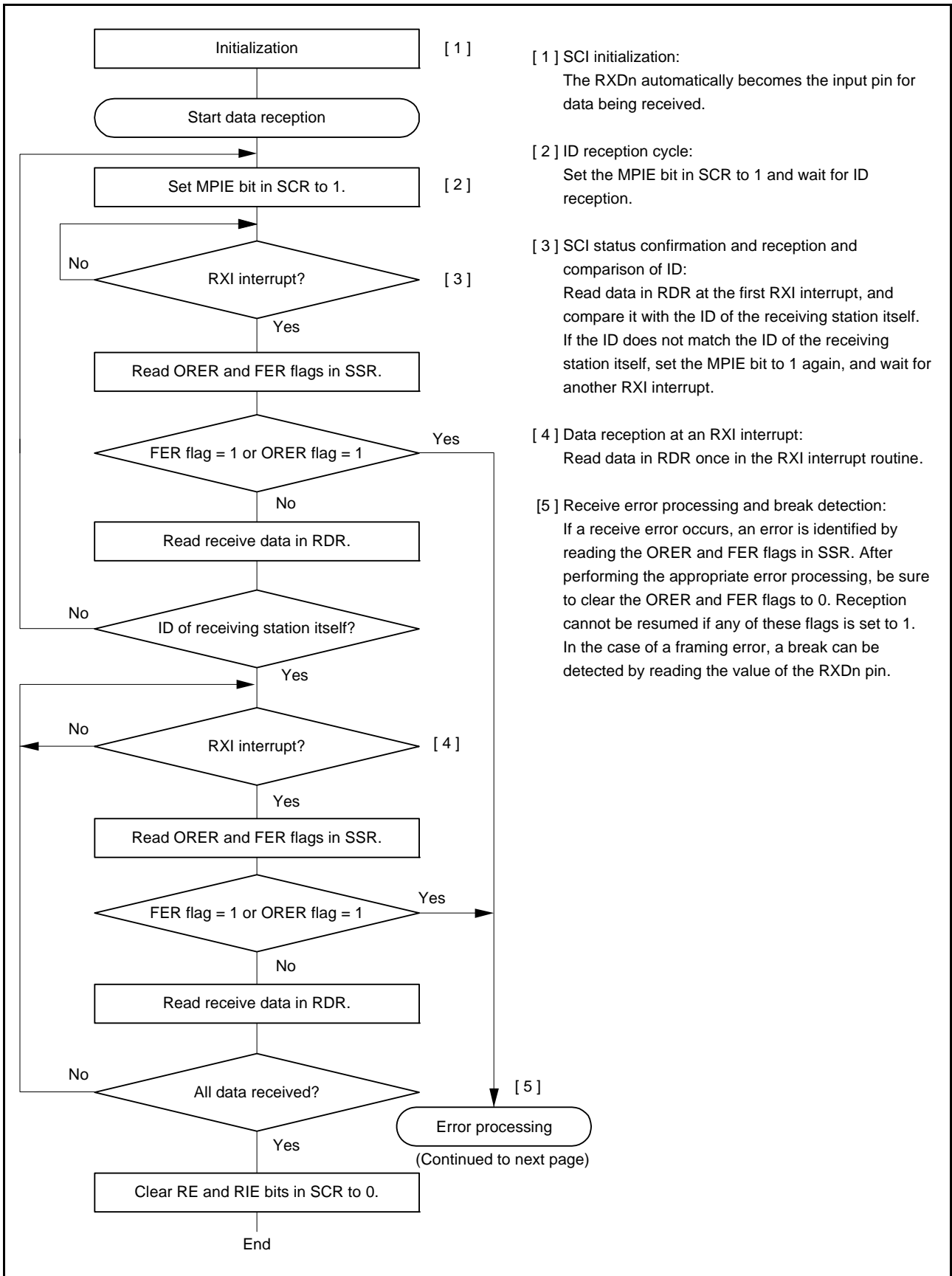


Figure 29.18 Example of Multi-Processor Serial Reception Flowchart (1)

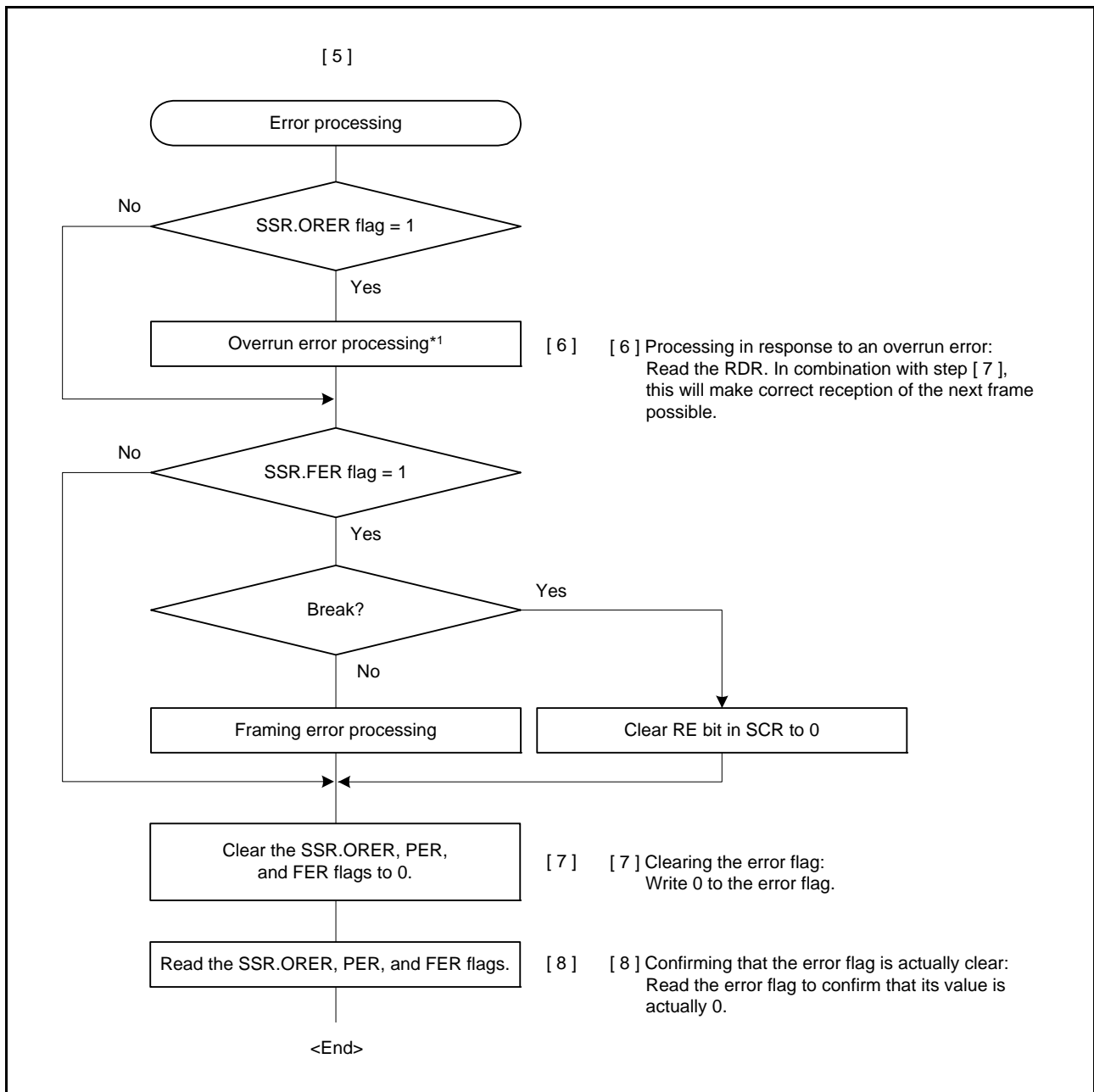


Figure 29.19 Example of Multi-Processor Serial Reception Flowchart (2)

29.5 Operation in Clock Synchronous Mode

Figure 29.20 shows the data format for clock synchronous serial data communications.

In clock synchronous mode, data is transmitted or received in synchronization with clock pulses. One character in transfer data consists of 8-bit data. In clock synchronous mode, no parity bit can be added.

In data transmission, the SCI outputs data from one falling edge of the synchronization clock to the next. In data reception, the SCI receives data in synchronization with the rising edge of the synchronization clock. After 8-bit data is output, the transmission line holds the last bit output state.

Inside the SCI, the transmitter and receiver are independent units, enabling full-duplex communications by use of a common clock. Both the transmitter and the receiver also have a double-buffered structure, so that the next transmit data can be written during transmission or the previous receive data can be read during reception, enabling continuous data transfer.

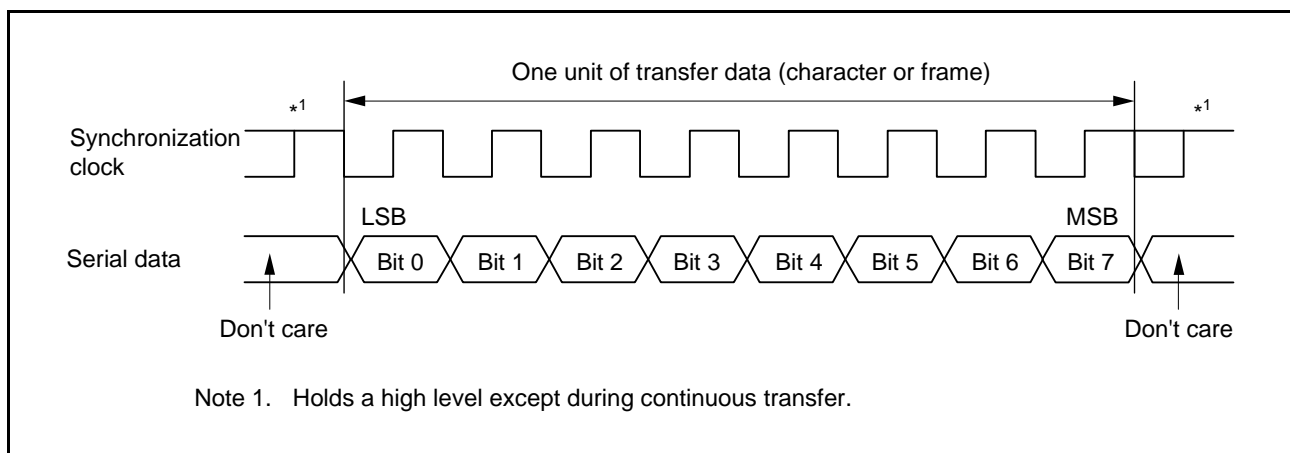


Figure 29.20 Data Format in Clock Synchronous Serial Communications (LSB-First)

29.5.1 Clock

Either an internal clock generated by the on-chip baud rate generator or an external synchronization clock input at the SCKn pin can be selected, according to the setting of the CKE[1:0] bits in SCR.

When the SCI is operated on an internal clock, the synchronization clock is output from the SCKn pin. Eight synchronization clock pulses are output in the transfer of one character, and when no transfer is performed the clock is held high. However, when only data reception is performed, output of the synchronizing clock signal continues until the CTS function is enabled and the high level is input on the CTSn# pin, an overflow error occurs, or the RE bit in SCR is set to 0. When the CTS function is enabled, the synchronous clock signal output is stopped if the CTSn# pin input is high on completion of the frame reception.

29.5.2 CTS and RTS Functions

In the CTS function, CTSn# pin input is used to control reception/transmission start when the clock source is the internal clock. Setting the SPMR.CTSE bit to 1 enables the CTS function.

When the CTS function is enabled, placing the low level on the CTSn# pin causes reception/transmission to start.

In the RTS function, RTSn# pin output is used to request reception/transmission start when the clock source is an external synchronizing clock. A low level is output when serial communications become possible. Conditions for output of the low and high level are shown below.

[Conditions for low-level output]

Satisfaction of all conditions listed below

- The value of the RE or TE bit in the SCR is 1
- neither transmission nor reception is in progress
- there are no received data yet to be read (when the SCR.RE bit is 1)
- transmit data has been written (when the SCR.TE bit is 1)
- ORER flag in SSR is 0

[Condition for high-level output]

The conditions for low-level output have not been satisfied.

29.5.3 SCI Initialization (Clock Synchronous Mode)

Before transmitting and receiving data, start by writing the initial value 00h to the SCR and then continue through the procedure for SCI given in the sample flowchart (Figure 29.21). Whenever the operating mode or transfer format is changed, the SCR must be initialized before the change is made.

Note that clearing the SCR.RE bit to 0 initializes neither the ORER, FER, and PER flags in SSR nor RDR.

Moreover, note that switching the value of the SCR.TE bit from 1 to 0 or 0 to 1 while the SCR.TIE bit is 1 leads to the generation of a TXI interrupt request.

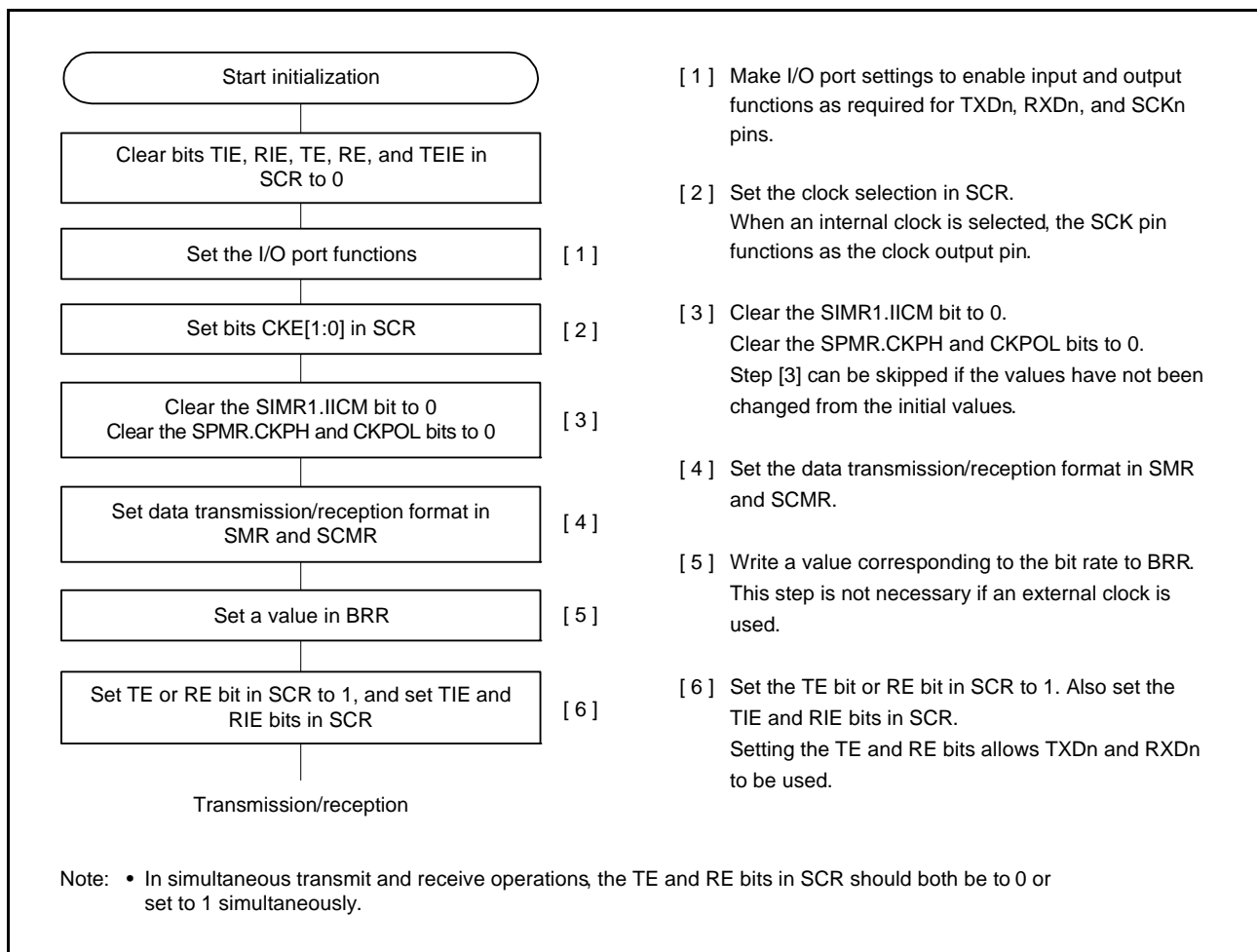


Figure 29.21 Example of SCI Initialization Flowchart (Clock Synchronous Mode)

29.5.4 Serial Data Transmission (Clock Synchronous Mode)

Figure 29.22 shows an example of the operation for serial transmission in clock synchronous mode. In serial data transmission, the SCI operates as described below.

1. The SCI transfers data from TDR to TSR when data is written to TDR in the TXI interrupt processing routine. The TXI interrupt request at the beginning of transmission is generated when the TE bit in SCR is set to 1 after the TIE bit in SCR is set to 1 or when these two bits are set to 1 simultaneously by a single instruction.
2. After transferring data from TDR to TSR, the SCI starts transmission. When the SCR.TIE bit is set to 1 at this time, a TXI interrupt request is generated. Continuous transmission is enabled by writing the next transmit data to TDR in this TXI interrupt processing routine before transmission of the current transmit data has finished. When TEI interrupt requests are in use, set the SCR.TIE bit to 0 (disabling TXI requests) and the SCR.TEIE bit to 1 (enabling TEI requests) after the last of the data to be transmitted are written to the TDR from the processing routine for TXI requests.
3. 8-bit data is sent from the TXDn pin in synchronization with the output clock when clock output mode has been specified and in synchronization with the input clock when use of an external clock has been specified. Output of the clock signal is suspended until the input CTS signal is at the low level while the CTSE bit in SPMR is 1 (enabling the CTS function).
4. The SCI checks for updating of (writing to) the TDR at the time of the last bit output.
5. When TDR is updated, the next transmit data is transferred from TDR to TSR, and serial transmission of the next frame is started.
6. If TDR is not updated, set the SSR flag in TEND to 1 and the TXDn pin retains the output state of the last bit. If the TEIE bit in SCR is 1 at this time, a TEI interrupt request is generated. The SCKn pin is held high.

Figure 29.23 shows a sample flowchart of serial data transmission.

Transmission will not start while a receive error flag (ORER, FER, or PER in SSR) is set to 1. Be sure to clear the receive error flags to 0 before starting transmission. Note that clearing the RE bit in SCR to 0 does not clear the receive error flags.

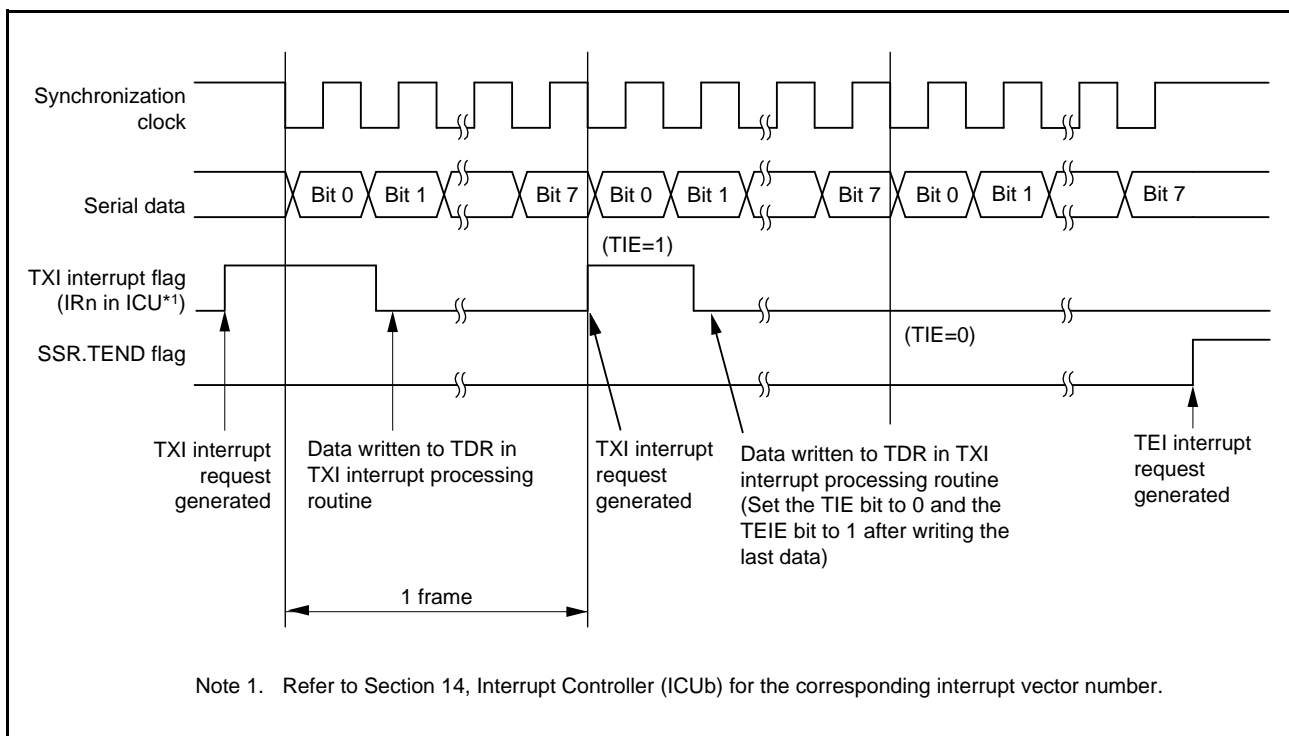


Figure 29.22 Example of Operation for Serial Transmission in Clock Synchronous Mode (from the Middle of Transmission until Transmission Completion)

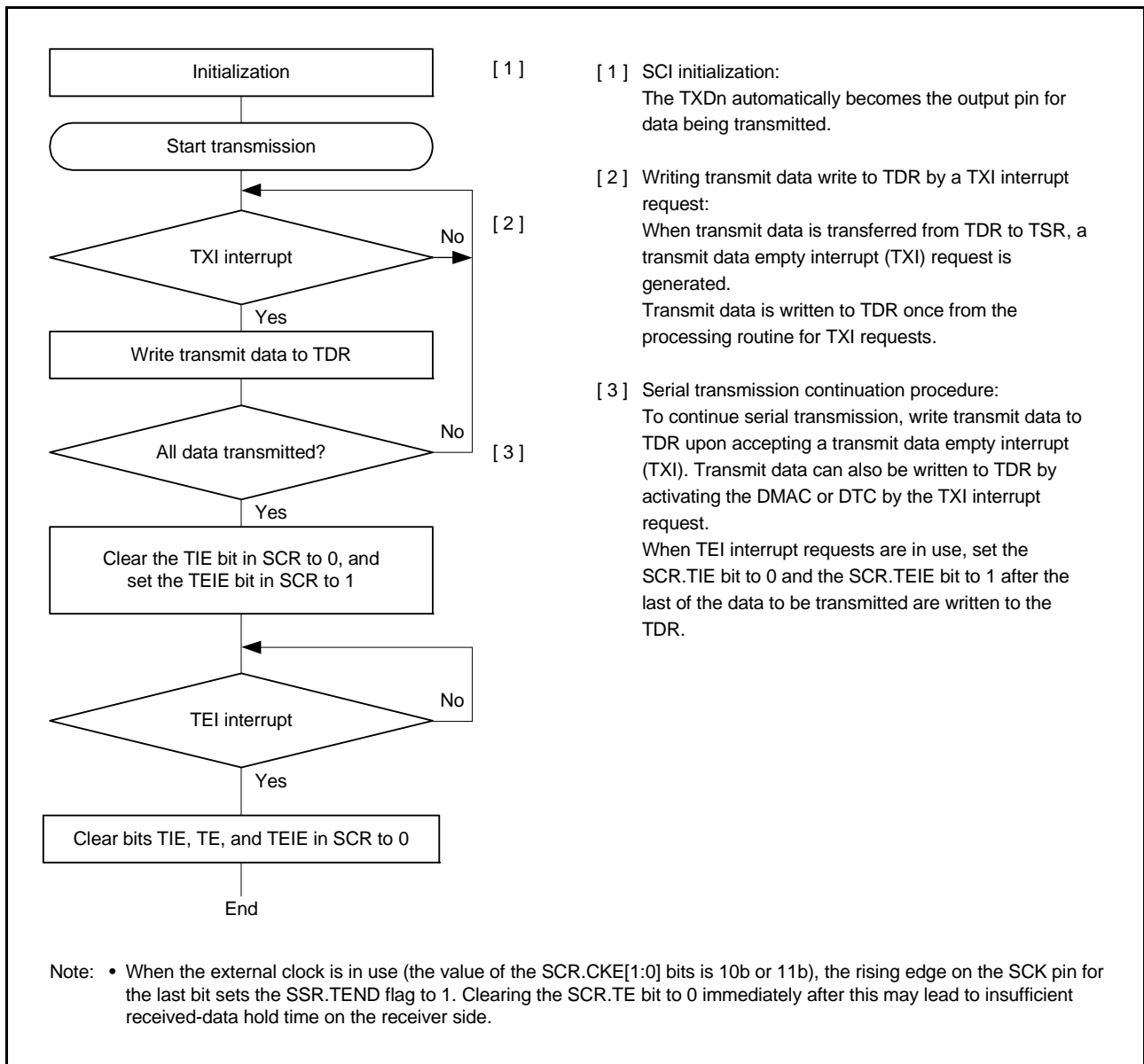


Figure 29.23 Example of Serial Transmission Flowchart (Clock Synchronous Mode)

29.5.5 Serial Data Reception (Clock Synchronous Mode)

Figure 29.24 and Figure 29.25 shows an example of SCI operation for serial reception in clock synchronous mode. In serial data reception, the SCI operates as described below.

1. The value of the RE bit in SCR becoming 1 places the signal output on the RTS pin at the low level (when the RTS function is in use).
2. The SCI performs internal initialization and starts receiving data in synchronization with a synchronization clock input or output, and stores the receive data in RSR.
3. If an overrun error occurs, the ORER bit in SSR is set to 1. If the RIE bit in SCR is 1 at this time, an ERI interrupt request is generated. Receive data is not transferred to RDR.
4. When reception finishes successfully, receive data is transferred to RDR. If the RIE bit in SCR is 1 at this time, an RXI interrupt request is generated. Continuous reception is enabled by reading the receive data transferred to RDR in this RXI interrupt processing routine before reception of the next receive data is completed. Reading out the received data that have been transferred to RDR causes the RTSn# pin to output the low level (when the RTS function is in use).

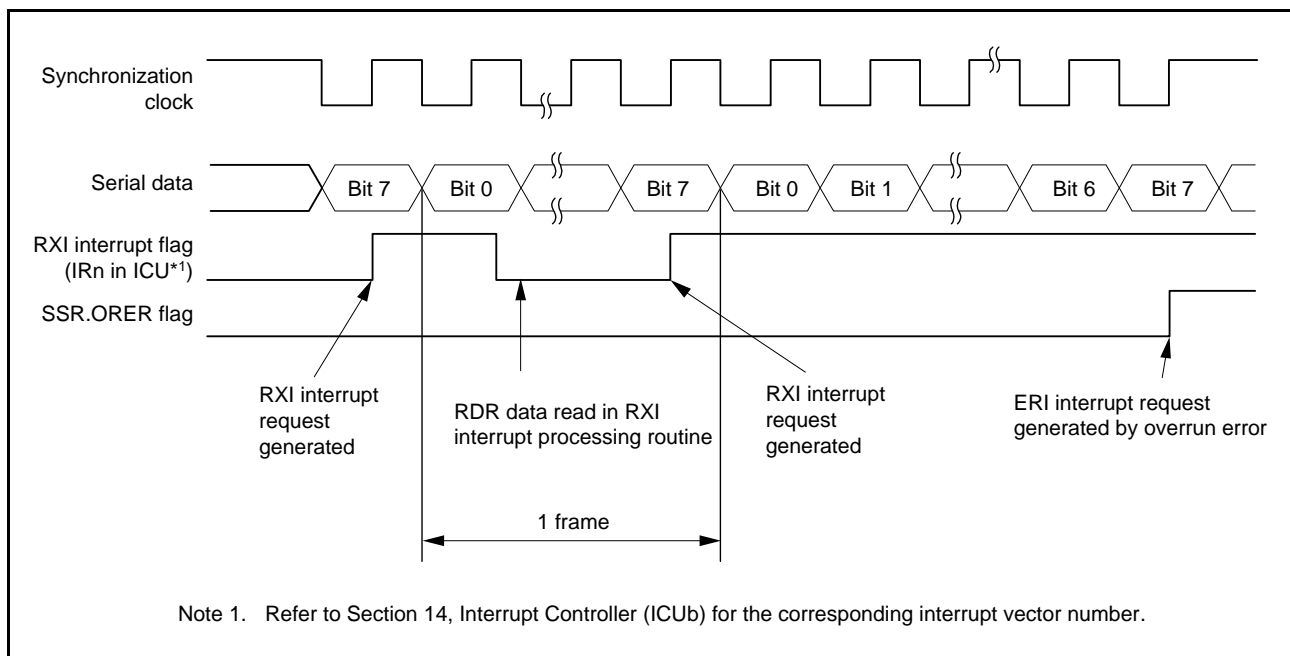


Figure 29.24 Example of Operation for Serial Reception in Clock Synchronous Mode (1) (when RTS Function is not Used)

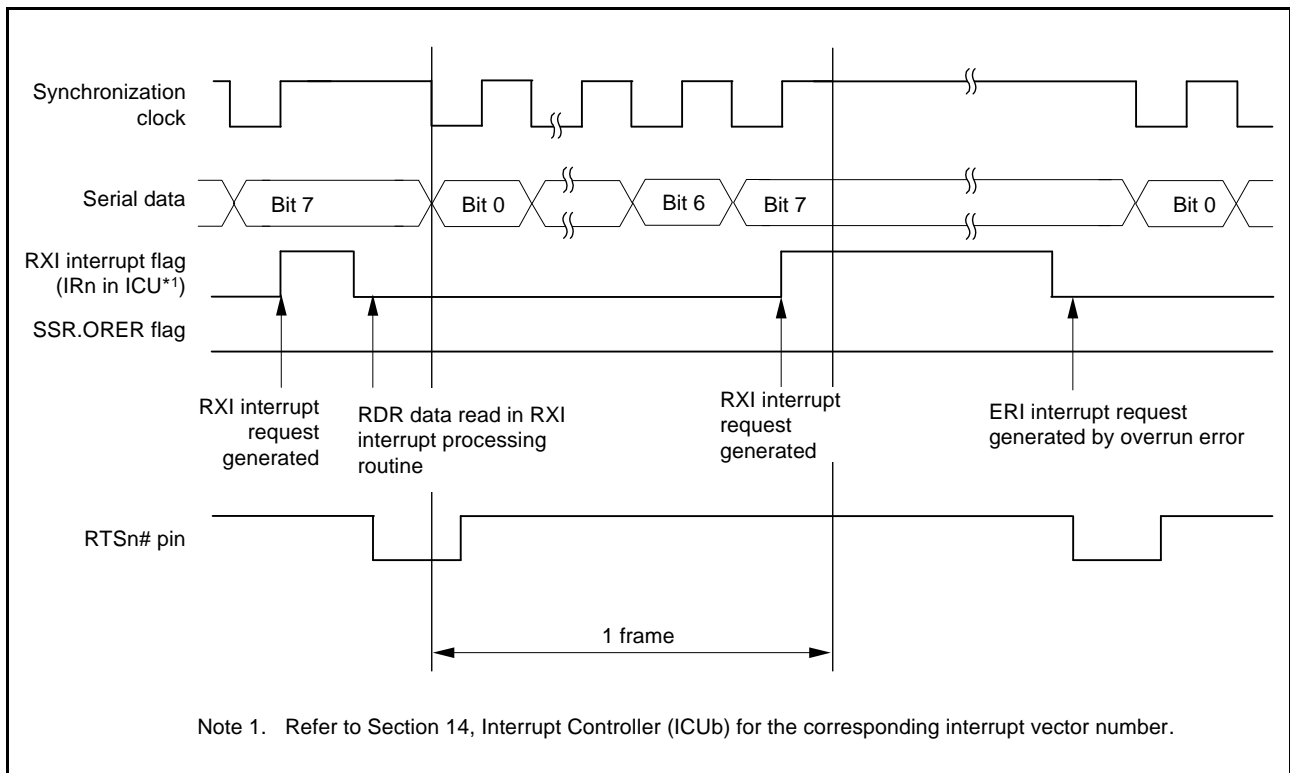


Figure 29.25 Example of Operation for Serial Reception in Clock Synchronous Mode (2) (when RTS Function is Used)

Data transfer cannot be resumed while a receive error flag is 1. Accordingly, clear the ORER, FER, and PER bits in SSR to 0 before resuming reception. Moreover, be sure to read the RDR during overrun error processing.

Figure 29.26 shows a sample flowchart for serial data reception.

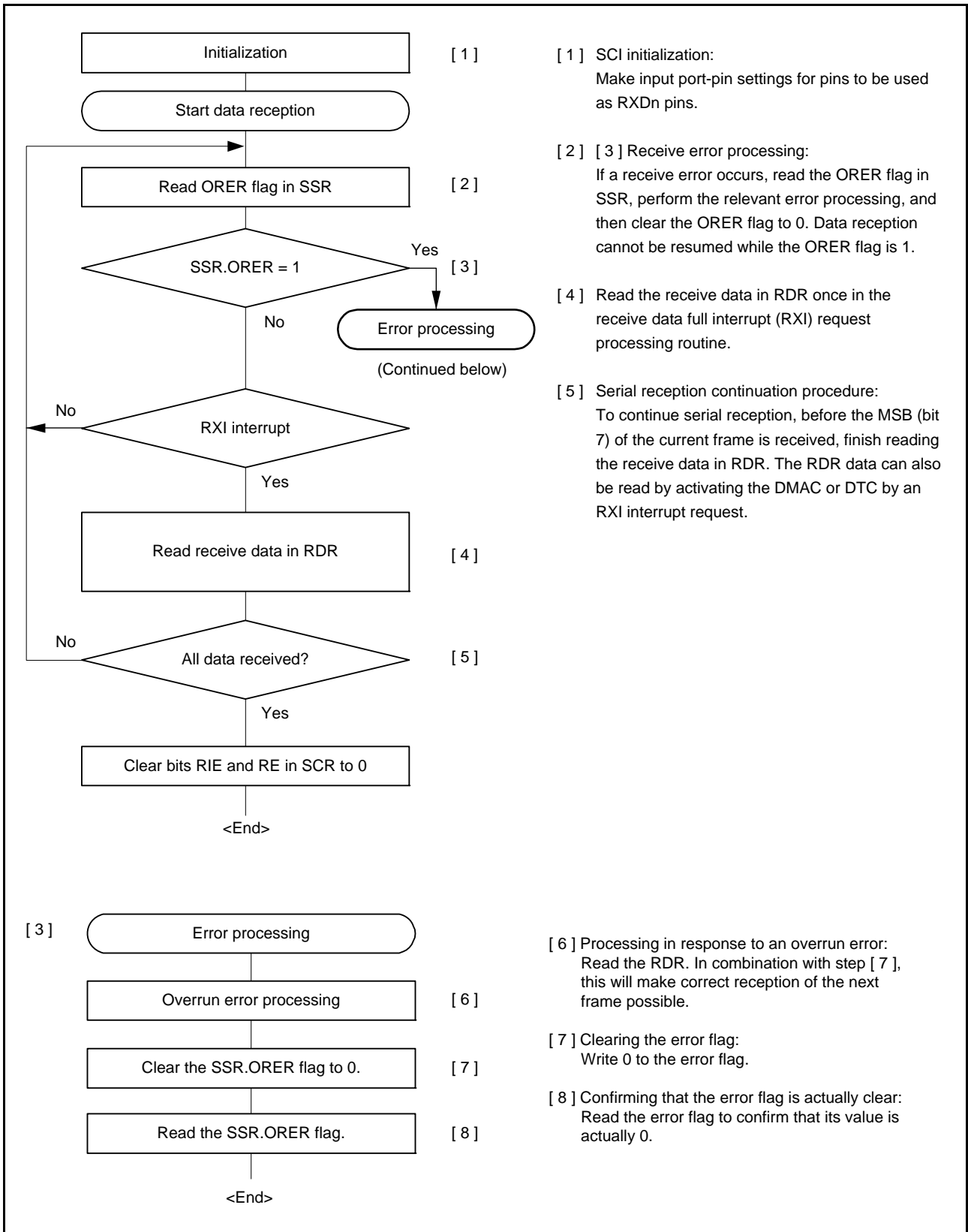


Figure 29.26 Example of Serial Reception Flowchart (Clock Synchronous Mode)

29.5.6 Simultaneous Serial Data Transmission and Reception (Clock Synchronous Mode)

Figure 29.27 shows a sample flowchart for simultaneous serial transmit and receive operations in clock synchronous mode.

After initializing the SCI, the following procedure should be used for simultaneous serial data transmit and receive operations.

To switch from transmit mode to simultaneous transmit and receive mode, check that the SCI has finished transmission by reading that the TEND flag in SSR is 1, and then initialize the SCR register. Then set the TIE, RIE, TE, and RE bits in SCR to 1 simultaneously by a single instruction.

To switch from receive mode to simultaneous transmit and receive mode, check that the SCI has finished reception, and then clear the RIE and RE bits to 0. Then check that the receive error flags (ORER, FER, and PER in SSR) are 0, and then set the TIE, RIE, TE, and RE bits in SCR to 1 simultaneously by a single instruction.

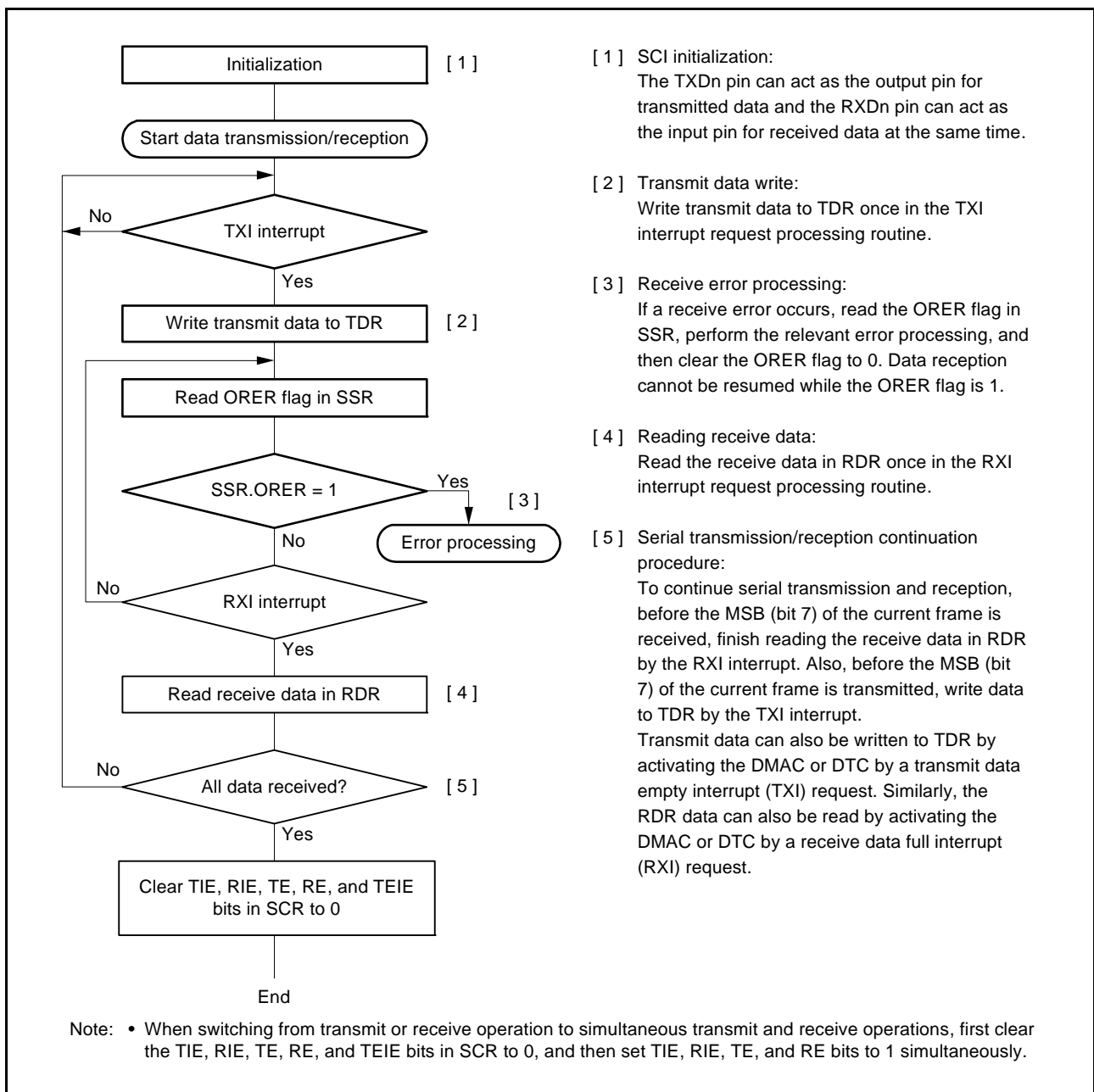


Figure 29.27 Example of Simultaneous Serial Transmission and Reception Flowchart (Clock Synchronous Mode)

29.6 Operation in Smart Card Interface Mode

The SCI supports the smart card (IC card) interface conforming to the ISO/IEC 7816-3 (Identification Card) standard, as an extended function of the SCI.

Smart card interface mode can be selected using the appropriate register.

29.6.1 Sample Connection

Figure 29.28 shows a sample connection between a smart card (IC card) and this LSI.

As in the figure, since this LSI communicates with an IC card using a single transmission line, interconnect the TXDn and RXDn pins and pull up the data transmission line to VCC using a resistor.

Setting the TE and RE bits in SCR to 1 with an IC card disconnected enables closed transmission/reception allowing self-diagnosis.

To supply an IC card with the clock pulses generated by the SCI, input the SCKn pin output to the CLK pin of an IC card. The output port of the RX210 can be used to output a reset signal.

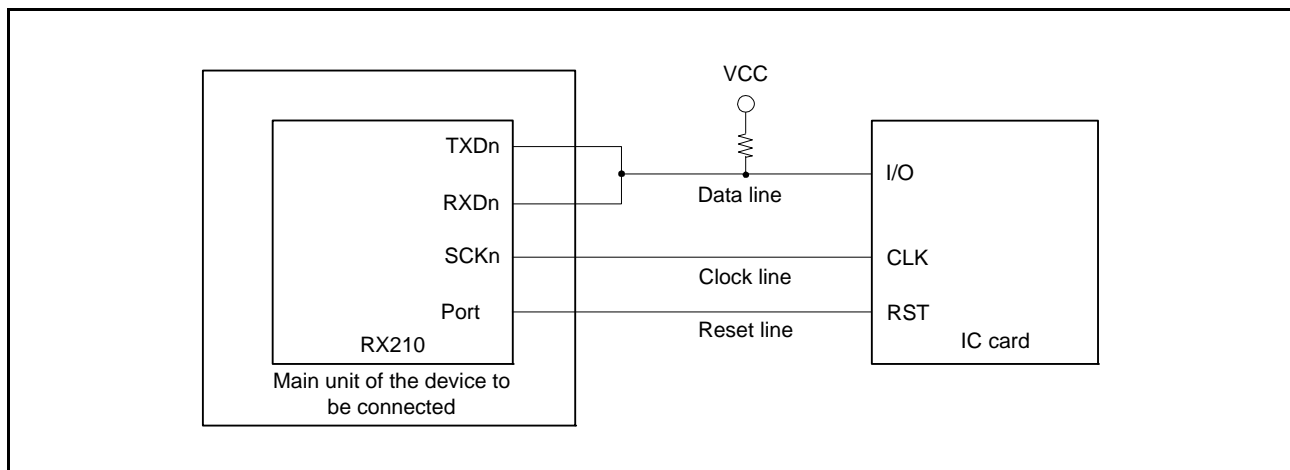


Figure 29.28 Sample Connection with a Smart Card (IC Card)

29.6.2 Data Format (Except in Block Transfer Mode)

Figure 29.29 shows the data transfer formats in smart card interface mode.

- One frame consists of 8-bit data and a parity bit in asynchronous mode.
- During transmission, at least 2 etu (elementary time unit: time required for transferring one bit) is secured as a guard time from the end of the parity bit until the start of the next frame.
- If a parity error is detected during reception, a low-level error signal is output for 1 etu after 10.5 etu has passed from the start bit.
- If an error signal is sampled during transmission, the same data is automatically re-transmitted after at least 2 etu.

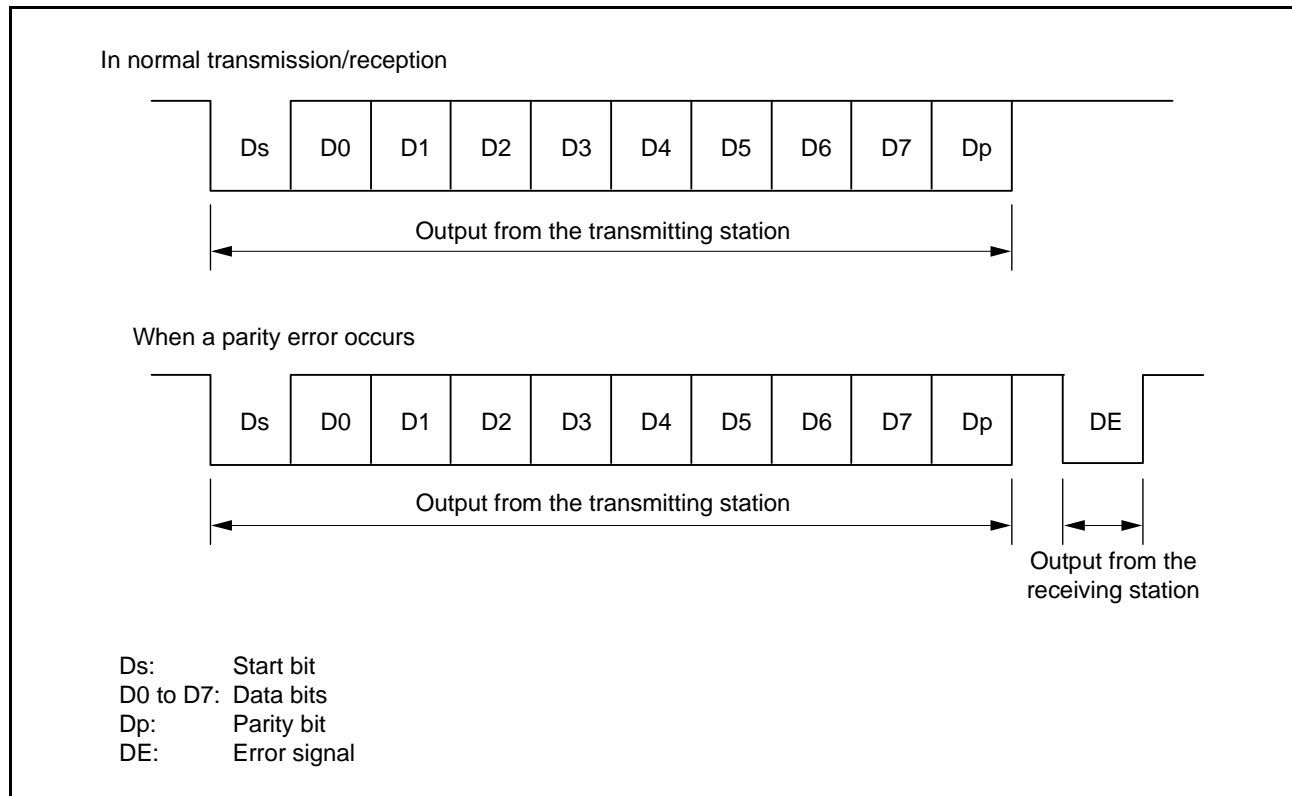


Figure 29.29 Data Formats in Smart Card Interface Mode

For communications with IC cards of the direct convention type and inverse convention type, follow the procedure below.

(1) Direct Convention Type

For the direct convention type, logic levels 1 and 0 correspond to states Z and A, respectively, and data is transferred with LSB-first as the start character, as shown in Figure 29.30. Therefore, data in the start character in the figure is 3Bh. When using the direct convention type, write 0 to both the SDIR and SINV bits in SCMR. Write 0 to the PM bit in SMR in order to use even parity, which is prescribed by the smart card standard.

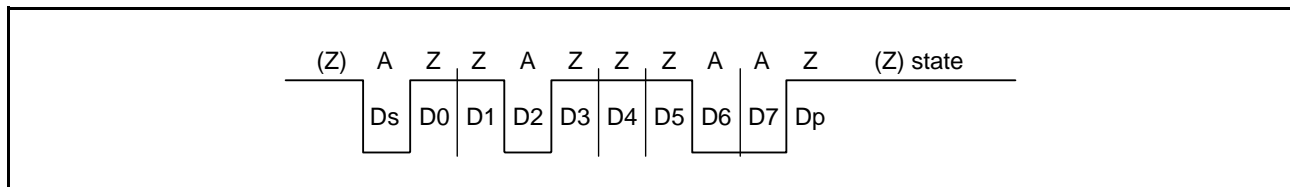


Figure 29.30 Direct Convention (SDIR in SCMR = 0, SINV in SCMR = 0, PM in SMR = 0)

(2) Inverse Convention Type

For the inverse convention type, logic levels 1 and 0 correspond to states A and Z, respectively and data is transferred with MSB-first as the start character, as shown in Figure 29.31. Therefore, data in the start character in the figure is 3Fh. When using the inverse convention type, write 1 to both the SDIR and SINV bits in SCMR. The parity bit is logic level 0 to produce even parity, which is prescribed by the smart card standard, and corresponds to state Z. Since the SINV bit of the RX210 only inverts data bits D7 to D0, write 1 to the PM bit in SMR to invert the parity bit for both transmission and reception.

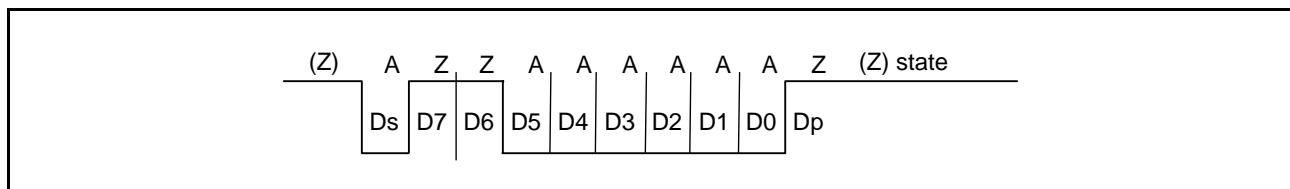


Figure 29.31 Inverse Convention (SDIR in SCMR = 1, SINV in SCMR = 1, PM in SMR = 1)

29.6.3 Block Transfer Mode

Block transfer mode is different from normal smart card interface mode in the following respects.

- Even if a parity error is detected during reception, no error signal is output. Since the PER bit in SSR is set by error detection, clear the PER bit before receiving the parity bit of the next frame.
- During transmission, at least 1 etu is secured as a guard time from the end of the parity bit until the start of the next frame.
- Since the same data is not re-transmitted during transmission, the TEND flag in SSR is set 11.5 etu after transmission start.
- In block transfer mode, the ERS flag in SSR indicates the error signal status as in normal smart card interface mode, but the flag is always read as 0 because no error signal is transferred.

29.6.4 Receive Data Sampling Timing and Reception Margin

Only the internal clock generated by the on-chip baud rate generator can be used as a transfer clock in smart card interface mode.

In this mode, the SCI can operate on a base clock with a frequency of 32, 64, 372, 256, 93, 128, 186, or 512 times the bit rate according to the settings of the BCP2 bit in SCMR and the BCP[1:0] bits in SMR (the frequency is always 16 times the bit rate in normal asynchronous mode).

For data reception, the falling edge of the start bit is sampled with the base clock to perform internal synchronization. Receive data is sampled on the 16th, 32nd, 186th, 128th, 46th, 64th, 93rd, and 256th rising edges of the base clock so that it can be latched at the middle of each bit as shown in Figure 29.32. The reception margin here is determined by the following formula.

$$M = \left| \left(0.5 - \frac{1}{2N} \right) - (L - 0.5) F - \frac{|D - 0.5|}{N} (1 + F) \right| \times 100 [\%]$$

- M: Reception margin (%)
- N: Ratio of bit rate to clock (N = 32, 64, 372, 256)
- D: Duty cycle of clock (D = 0 to 1.0)
- L: Frame length (L = 10)
- F: Absolute value of clock frequency deviation

Assuming values of F = 0, D = 0.5, and N = 372 in the above formula, the reception margin is determined by the formula below.

$$M = \{0.5 - 1/(2 \times 372)\} \times 100 [\%] = 49.866\%$$

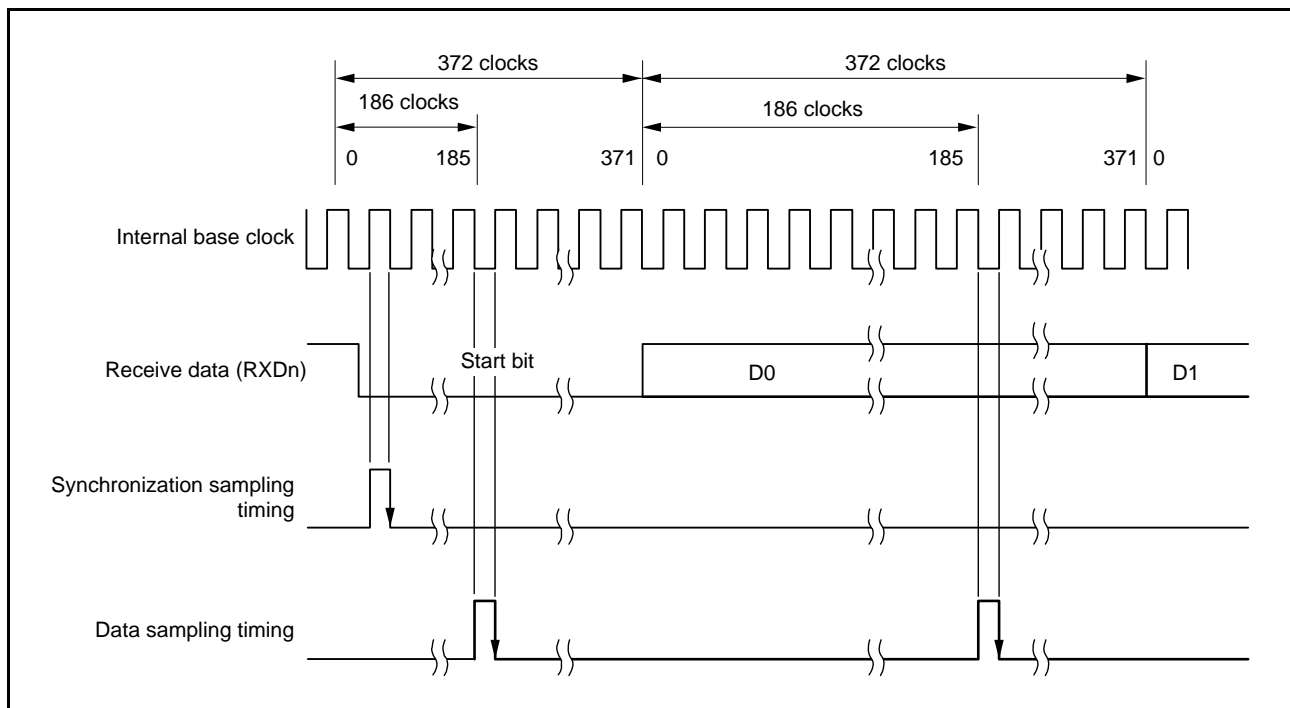


Figure 29.32 Receive Data Sampling Timing in Smart Card Interface Mode (When Clock Frequency is 372 Times the Bit Rate)

29.6.5 Initialization of the SCI (Smart Card Interface Mode)

Before transmitting and receiving data, initialize the SCI using the following procedure. Initialization is also necessary before switching from transmission to reception and vice versa.

1. Write the initial value “00h” to the SCR.
2. Make I/O port settings to enable input and output functions as required for TXDn, RXDn, and SCKn pins.
3. Set the error flags ORER, ERS, and PER in SSR to 0.
4. Clear the SIMR1.IICM bit and the SPMR.CKPH and CKPOL bits to 0.
This step can be skipped if the values have not been changed from the initial values.
5. Set bits GM, BLK, PM, BCP[1:0], and CKS[1:0] in SMR and the BCP2 bit in SCMR appropriately. Also set the PE bit in SMR to 1.
6. Set bits SDIR, SINV, and SMIF in SCMR appropriately. Then, the TXDn and RXDn pins are placed in the high impedance state.
7. Set the value corresponding to the bit rate in BRR.
8. Set the CKE[1:0] bits in SCR appropriately, and set bits TIE, RIE, TE, RE, and TEIE in SCR to 0 at the same time.
When the CKE0 bit is set to 1, the SCKn pin is allowed to output clock pulses.
9. Set the TIE, RIE, TE, and RE bits in SCR to 1. Setting the TE and RE bits to 1 simultaneously is prohibited except for self-diagnosis.

To change reception mode to transmission mode, first check that reception has completed, and then initialize the SCI. At the end of initialization, set TE = 1 and RE = 0. Reception completion can be verified by reading the RXI request, ORER, or PER flag in SSR.

To change transmission mode to reception mode, first check that transmission has completed, and then initialize the SCI. At the end of initialization, set TE = 0 and RE = 1. Transmission completion can be verified by reading the TEND flag in SSR.

29.6.6 Serial Data Transmission (Except in Block Transfer Mode)

Serial data transmission in smart card interface mode (except in block transfer mode), in that an error signal is sampled and data can be re-transmitted, is different from that in normal serial communications interface mode. Figure 29.33 shows the data retransfer operation during transmission.

1. When an error signal from the receiver end is sampled after one-frame data has been transmitted, the ERS flag in SSR is set to 1. If the RIE bit in SCR is 1 at this time, an ERI interrupt request is generated. Clear the ERS flag to 0 before the next parity bit is sampled.
2. For a frame in which an error signal is received, the TEND flag in SSR is not set. Data is retransferred from TDR to TSR allowing automatic data retransmission.
3. If no error signal is returned from the receiver, the ERS flag is not set to 1.
4. In this case, the SCI judges that transmission of one-frame data (including retransfer) has been completed, and the TEND flag is set. If the TIE bit in SCR is 1 at this time, a TXI interrupt request is generated. Writing transmit data to TDR starts transmission of the next data.

Figure 29.35 shows a sample flowchart of serial transmission. All the processing steps are automatically performed using a TXI interrupt request to activate the DTC or DMAC.

When the TEND flag in SSR is set to 1 in transmission, if the TIE bit in SCR is 1, a TXI interrupt request is generated. The DTC or DMAC is activated by a TXI interrupt request if the TXI interrupt request is specified as a source of DTC or DMAC activation beforehand, allowing transfer of transmit data. The TEND flag is automatically cleared to 0 when the DTC or DMAC transfers the data.

If an error occurs, the SCI automatically re-transmits the same data. During this retransmission, the TEND flag is kept to 0 and the DTC or DMAC is not activated. Therefore, the SCI and DTC or DMAC automatically transmit the specified number of bytes, including retransmission in the case of error occurrence. However, since the ERS flag is not automatically cleared, set the RIE bit to 1 beforehand to enable an ERI interrupt request to be generated at error occurrence, and clear the ERS flag to 0.

When transmitting/receiving data using the DTC or DMAC, be sure to make settings to enable the DTC or DMAC before making SCI settings.

For DTC or DMAC settings, see section 16, DMA Controller (DMACA) and section 17, Data Transfer Controller (DTCa).

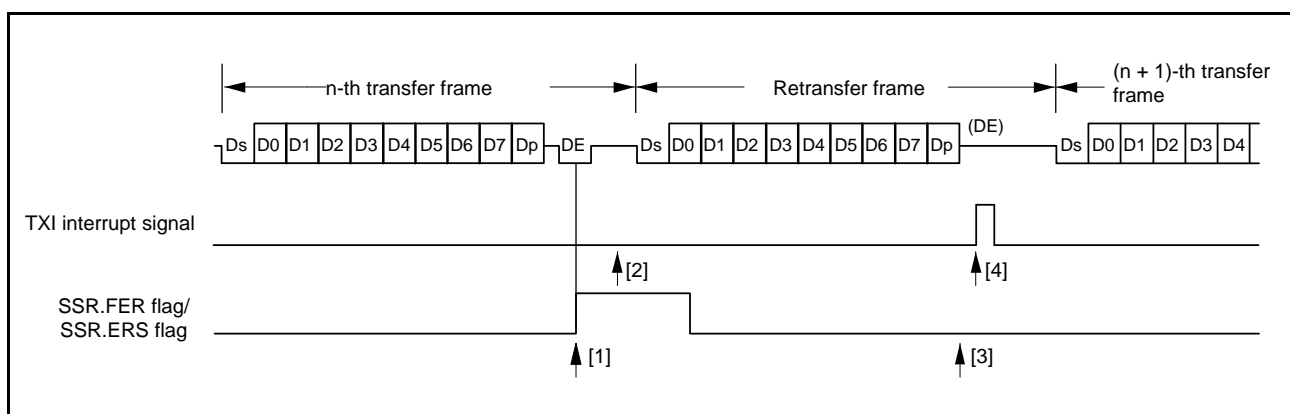


Figure 29.33 Data Retransfer Operation in SCI Transmission Mode

Note that the SSR.TEND flag is set in different timings depending on the GM bit setting in SMR. Figure 29.34 shows the TEND flag generation timing.

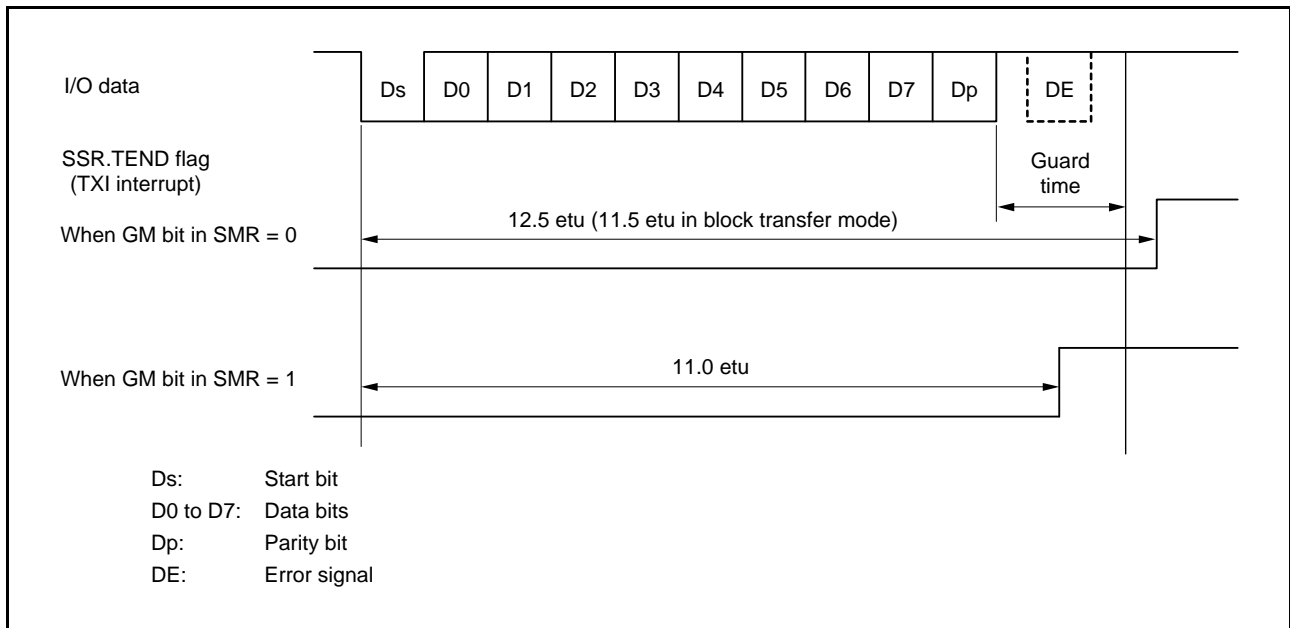


Figure 29.34 SSR.TEND Flag Generation Timing during Transmission

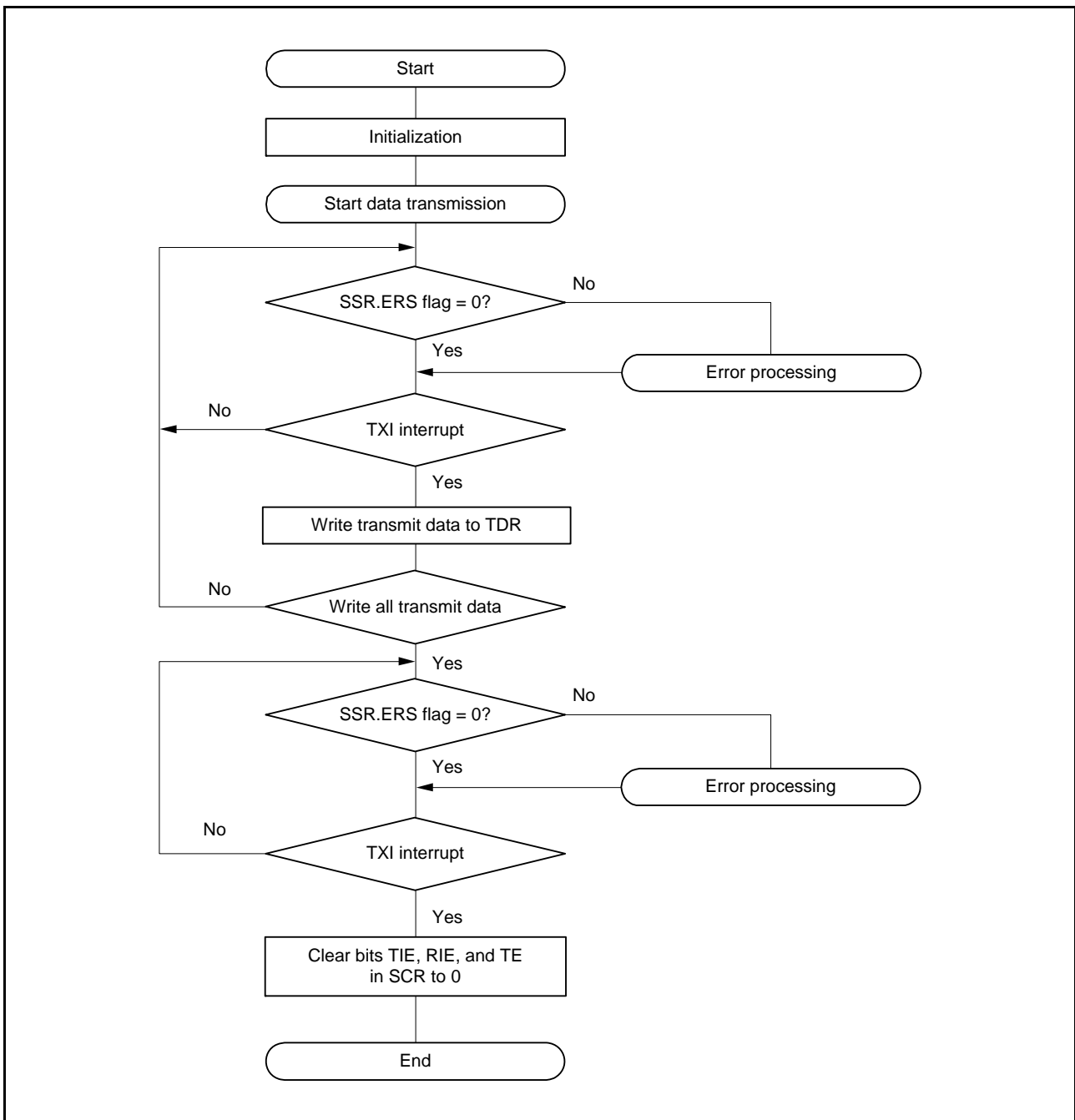


Figure 29.35 Sample Smart Card Interface Transmission Flowchart

29.6.7 Serial Data Reception (Except in Block Transfer Mode)

Serial data reception in smart card interface mode is similar to that in serial communications interface mode. Figure 29.36 shows the data retransfer operation in reception mode.

1. If a parity error is detected in receive data, the PER flag in SSR is set to 1. When the RIE bit in SCR is 1 at this time, an ERI interrupt request is generated. Clear the PER flag to 0 before the next parity bit is sampled.
2. For a frame in which a parity error is detected, no RXI interrupt is generated.
3. When no parity error is detected, the PER flag in SSR is not set to 1.
4. In this case, data is determined to have been received successfully. When the RIE bit in SCR is 1, an RXI interrupt request is generated.

Figure 29.37 shows a sample flowchart for serial data reception. All the processing steps are automatically performed using an RXI interrupt request to activate the DTC or DMAC.

In reception, setting the RIE bit to 1 allows an RXI interrupt request to be generated. The DTC or DMAC is activated by an RXI interrupt request if the RXI interrupt request is specified as a source of DTC or DMAC activation beforehand, allowing transfer of receive data.

If an error occurs during reception and either the ORER or PER flag in SSR is set to 1, a receive error interrupt (ERI) request is generated. Clear the error flag after the error occurrence. If an error occurs, the DTC or DMAC is not activated and receive data is skipped. Therefore, the number of bytes of receive data specified in the DTC or DMAC is transferred. Even if a parity error occurs and the PER flag is set to 1 during reception, receive data is transferred to RDR, thus allowing the data to be read.

Note 1. For operations in block transfer mode, see section 29.3, Operation in Asynchronous Mode.

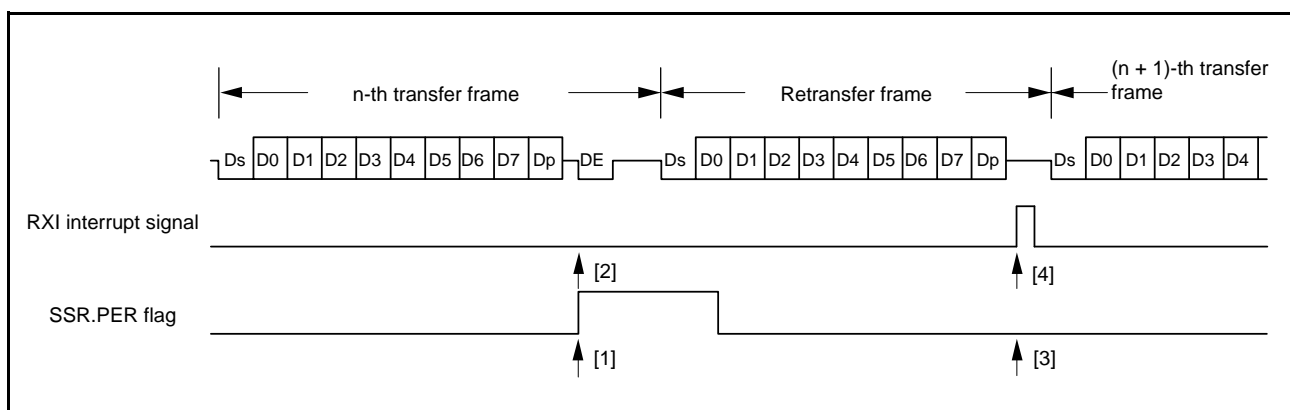


Figure 29.36 Data Retransfer Operation in SCI Reception Mode

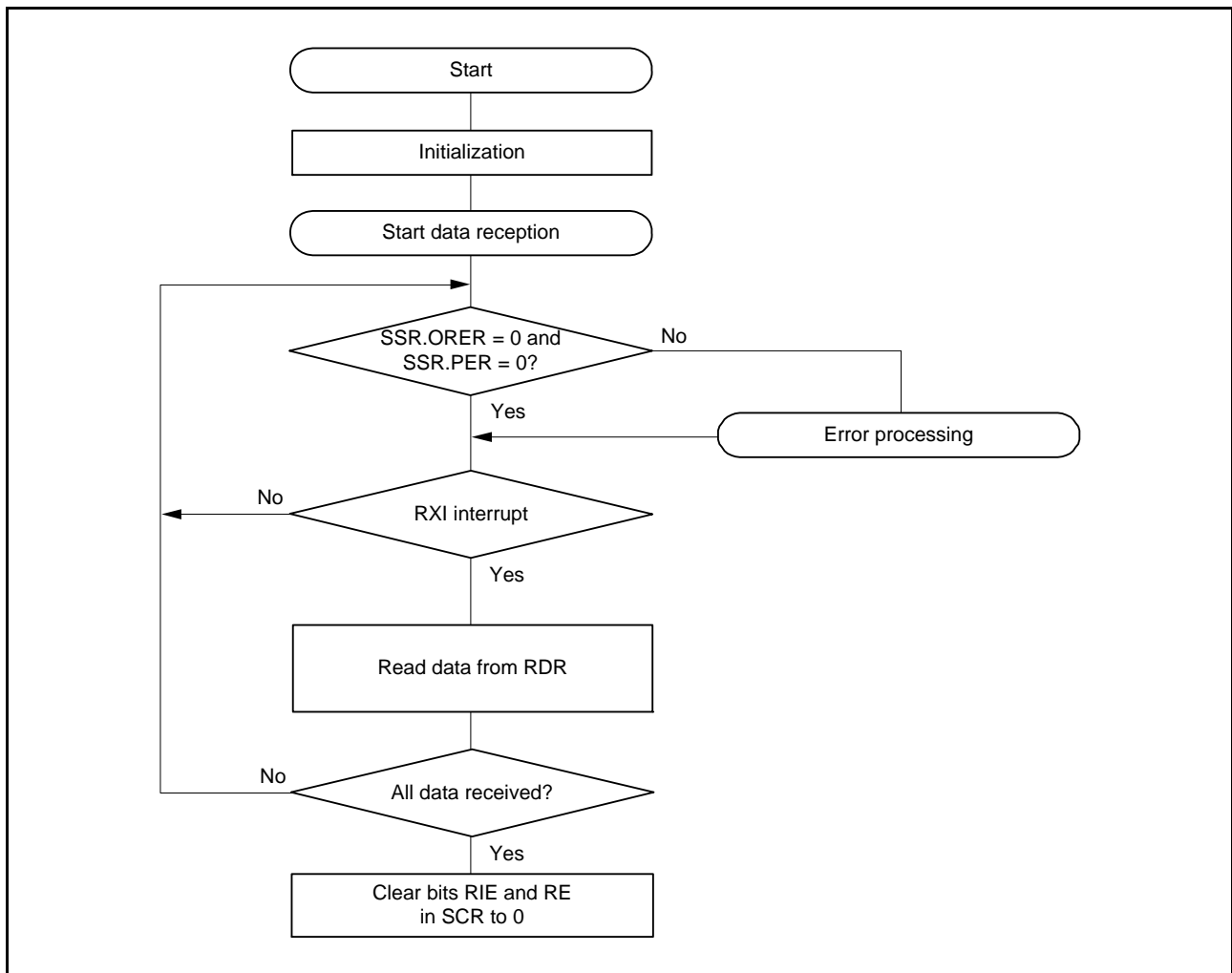


Figure 29.37 Sample Smart Card Interface Reception Flowchart

29.6.8 Clock Output Control

Clock output can be fixed using the CKE[1:0] bits in SCR when the GM bit in SMR is 1. Specifically, the minimum width of a clock pulse can be specified.

Figure 29.38 shows an example of clock output fixing timing when the CKE0 bit is controlled with GM = 1 and CKE1 = 0.

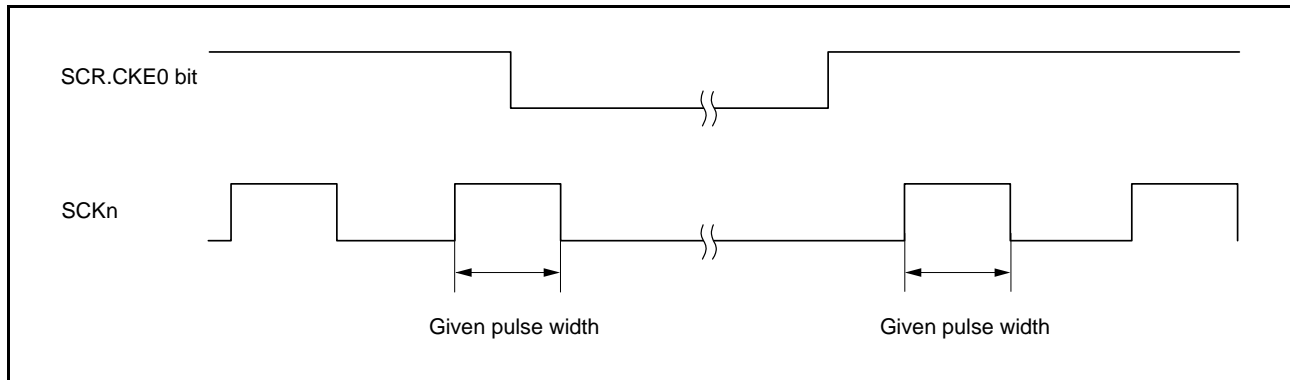


Figure 29.38 Clock Output Fixing Timing

At power-on and transitions to/from software standby mode, use the following procedure to secure the appropriate clock duty cycle.

(1) At Power-On

To secure the appropriate clock duty cycle simultaneously with power-on, use the following procedure.

1. Initially, port input is enabled in the high-impedance state. To fix the potential level, use a pull-up or pull-down resistor.
2. Fix the SCKn pin to the specified output by setting the SCR.CKE[1] bit and I/O port functions.
3. Set SMR and SCMR to enable smart card interface mode.
4. Set the SCR.CKE[0] bit to 1 to start clock output.

(2) At Mode Switching

(a) At transition from smart card interface mode to software standby mode

1. Set I/O port functions to make the SCKn pin fixed with a desired output value in software standby mode.
2. Write 0 to the TE and RE bits in SCR to stop transmission/reception.
Simultaneously, set the SCR.CKE[1] bit to the value for the output fixed state in software standby mode.
3. Write 0 to the SCR.CKE[0] bit to stop the clock.
4. Wait for one cycle of the serial clock. In the mean time, the clock output is fixed to the specified level with the duty cycle retained.
5. After switching the SCKn pin to the general I/O port function, make a transition to software standby mode.

(b) Return from software standby mode to smart card interface mode

6. Cancel software standby mode.
7. Set the SCR.CKE[0] bit to 1 to start clock output. A clock signal with the appropriate duty cycle is then generated.

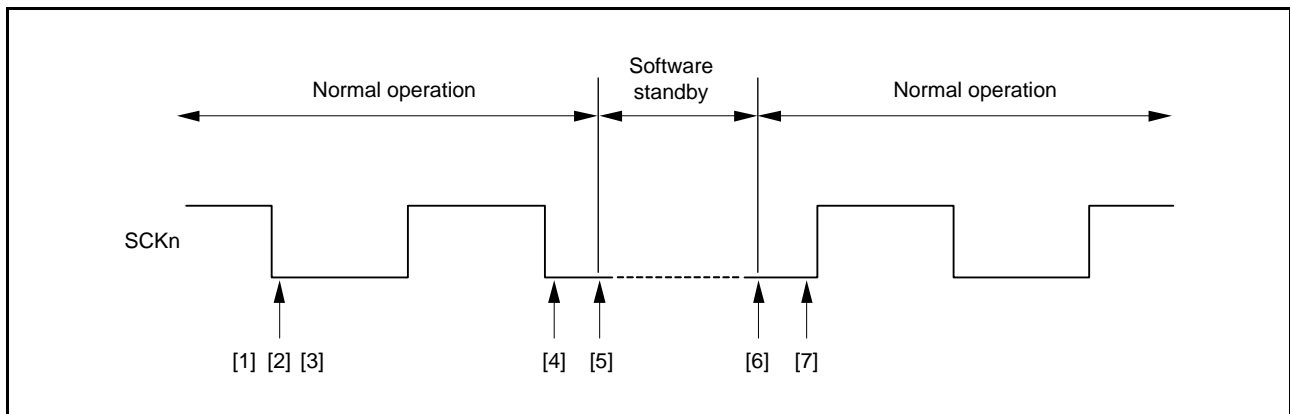


Figure 29.39 Clock Stop and Restart Procedure

29.7 Operation in Simple I²C Mode

Simple I²C bus master format is composed of eight data bits and an acknowledge bit. By continuing into a slave-address frame after a start condition or restart condition, a master device is able to specify a slave device as the partner for communications. The currently specified slave device remains valid until a new slave device is specified or a stop condition is satisfied. The eight data bits in all frames are transmitted in order from the MSB.

The I²C format and timing of the I²C bus are shown in Figure 29.40 and Figure 29.41.

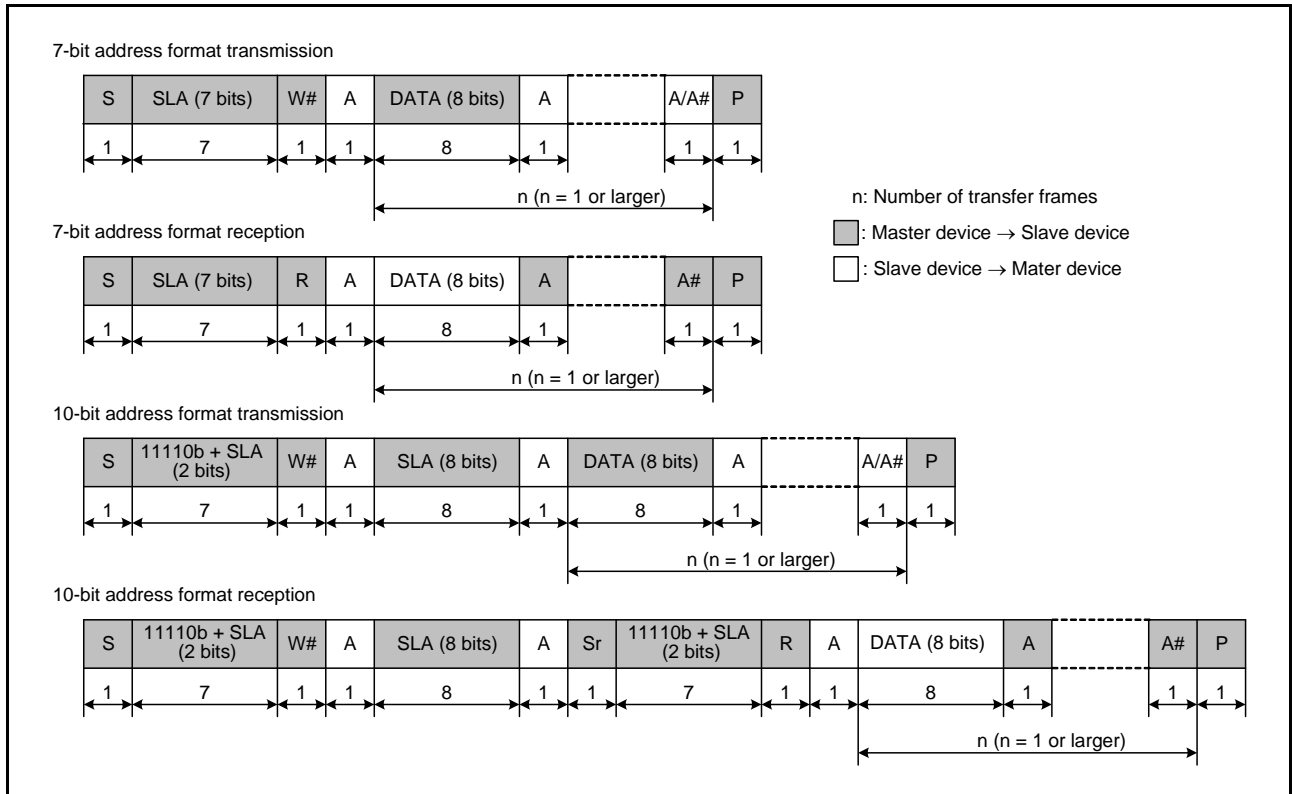


Figure 29.40 I²C Bus Master Format

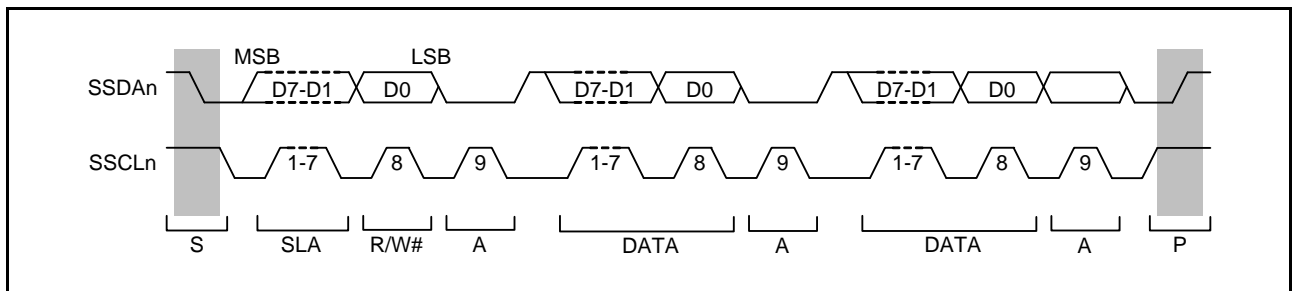


Figure 29.41 I²C Bus Timing (When SLA is 7 Bits)

S:	Indicates a start condition, i.e. the master device changing the level on the SSDAn line from the high to the low level while the SSCLn line is at the high level.
SLA:	Indicates a slave address, by which the master device selects a slave device.
R/W#:	Indicates the direction of transfer (reception or transmission). The value 1 corresponds to transfer from the slave device to the master device and 0 corresponds to transfer from the master device to the slave device.
A/A#:	Indicates an acknowledge bit. This is returned by the slave device for master transmission and by the master device for master reception. Return of the low level indicates ACK and return of the high level indicates NACK.
Sr:	Indicates a restart condition, i.e. the master device changing the level on the SSDAn line from the high to the low level while the SSCLn line is at the high level and after the setup time has elapsed.
DATA:	Indicates the data being received or transmitted.
P:	Indicates a stop condition, i.e. the master device changing the level on the SSDAn line from the low to the high level while the SSCLn line is at the high level.

29.7.1 Generation of Start, Restart, and Stop Conditions

Writing 1 to the IICSTAREQ bit in SIMR3 causes the generation of a start condition. The generation of a start condition proceeds through the following operations.

- The level on the SSDAn line falls (from the high level to the low level) and the SSCLn line is kept in the released state.
- The hold time for the start condition is secured as half of a bit period at the bit rate determined by the setting of the BRR.
- The level on the SSCLn line falls (from the high level to the low level), the IICSTAREQ bit in SIMR3 is cleared (to 0), and a start-condition generated interrupt is output.

Writing 1 to the IICRSTAREQ bit in SIMR3 causes the generation of a start condition. The generation of a start condition proceeds through the following operations.

- The SSDAn line is released and the SSCLn line is kept at the low level.
- The period at low level for the SSCLn line is secured as half of a bit period at the bit rate determined by the setting of the BRR.
- The SSCLn line is released (transition from the low to the high level).
- Once the high level on the SSCLn line is detected, the setup time for the restart condition is secured as half of a bit period at the bit rate determined by the setting of the BRR.
- The level on the SSDAn line falls (from the high level to the low level).
- The hold time for the restart condition is secured as half of a bit period at the bit rate determined by the setting of the BRR.
- The level on the SSCLn line falls (from the high level to the low level), the IICRSTAREQ bit in SIMR3 is cleared (to 0), and a restart-condition generated interrupt is output.

Writing 1 to the IICSTPREQ bit in SIMR3 causes the generation of a stop condition. The generation of a stop condition proceeds through the following operations.

- The level on the SSDAn line falls (from the high level to the low level) and the SSCLn line is kept at the low level.
- The period at low level for the SSCLn line is secured as half of a bit period at the bit rate determined by the setting of the BRR.
- The SSCLn line is released (transition from the low to the high level).
- Once the high level on the SSCLn line is detected, the setup time for the stop condition is secured as half of a bit period at the bit rate determined by the setting of the BRR.
- The SSDAn is released (transition from the low to the high level), the IICSTPREQ bit in SIMR3 is cleared (to 0), and a stop-condition generated interrupt is output.

Figure 29.42 shows the timing of operations in the generation of start, restart, and stop conditions.

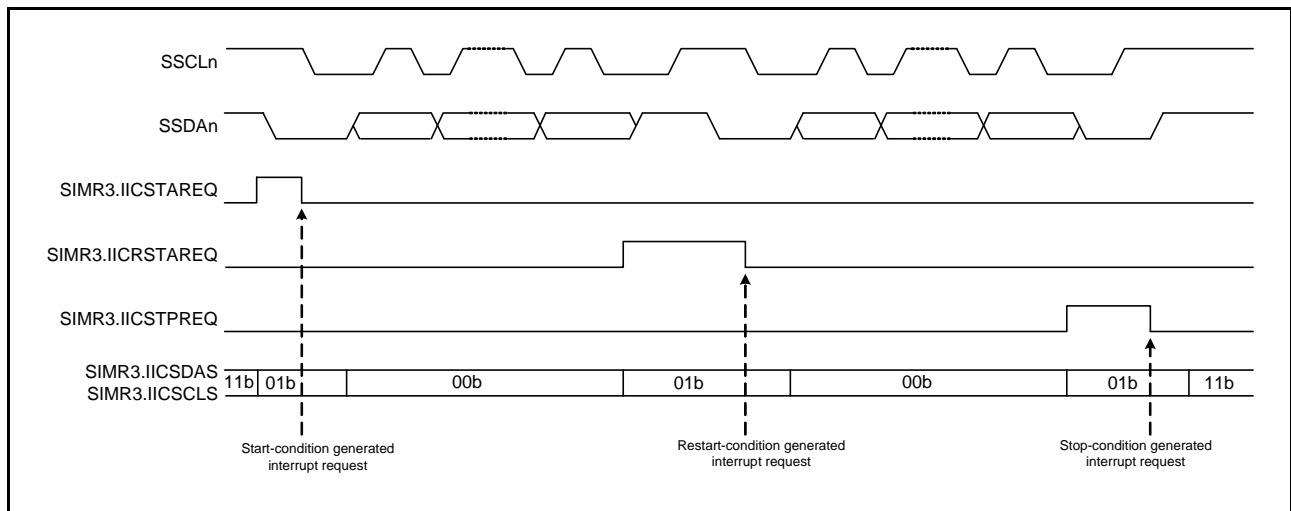


Figure 29.42 Timing of Operations in the Generation of Start, Restart, and Stop Conditions

29.7.2 Clock Synchronization

The SSCLn line may be placed at the low level in the case of a wait inserted by a slave device as the other side of transfer. Setting the IICCSC bit in SIMR2 to 1 applies control to obtain synchronization when the levels of the internal SSCLn clock signal and the level being input on the SSCLn pin differ.

When the IICCSC bit in SIMR2 is set to 1, the level of the internal SSCLn clock signal changes from low to high, counting to determine the period at high level is stopped while the low level is being input on the SSCLn pin, and counting to determine the period at high level starts after the transition of the input on the SSCLn pin to the high level. The interval from this time until counting to determine the period at high level starts on the transition of the SSCLn pin to the high level is the total of the delay of SSCLn output, delay for noise filtering of the input on the SSCLn pin (2 or 3 cycles of sampling clock for the noise filter), and delay for internal processing (1 or 2 cycles of PCLK). The period at high level of the internal SSCLn clock is extended even if other devices are not placing the low level on the SSCLn line. If the IICCSC bit in SIMR2 is 1, synchronization is obtained for the transmission and reception of data by taking the logical AND of the input on the SSCLn pin and the internal SSCLn clock. If the IICCSC bit in SIMR2 is 0, synchronization with the internal SSCLn clock is obtained for the transmission and reception of data.

If a slave device inserts a period of waiting into the interval until the transition of the internal SSCLn clock signal from the low to the high level after a request for the generation of a start, restart, or stop condition is issued, the time until generation is prolonged by that period.

If a slave device inserts a period of waiting after the transition of the internal SSCLn clock signal from the low to the high level, although the generation-completed interrupt is issued without stopping the period of waiting, generation of the condition itself is not guaranteed. Figure 29.43 shows an example of operations to synchronize the clocks.

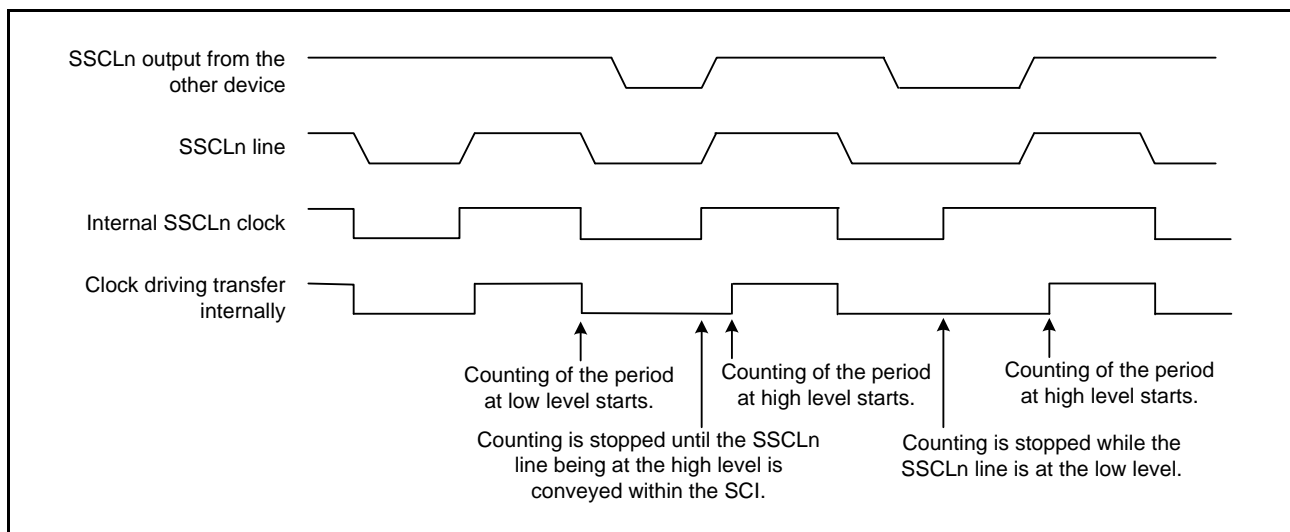


Figure 29.43 Example of Operations for Clock Synchronization

29.7.3 SSDA Output Delay

The IICDL[4:0] bits in SIMR1 can be used to set a delay for output on the SSDA pin relative to falling edges of output on the SSCLn pin. Delay-time settings from 0 to 31 are selectable, representing periods of the corresponding numbers of cycles of the clock signal from the on-chip baud rate generator (derived by frequency-dividing the base clock, PCLK, by the divisor selected by the CKS[1:0] bits in SMR). A delay for output on the SSDAn pin is for the start condition/restart condition/stop condition signal, 8-bit transmit data, and an acknowledge bit.

If the SSDA output delay is shorter than the time for the level on the SSCLn pin to fall, the change of the output on the SSDAn pin will start while the output level on the SSCLn pin is falling, creating a possibility of erroneous operation for slave devices. Ensure that settings for the delay of output on the SSDA pin are for times greater than the time output on the SSCLn pin takes to fall (300 ns for I²C in normal mode and fast mode).

Figure 29.44 shows the timing of delays in output on the SSDA pin.

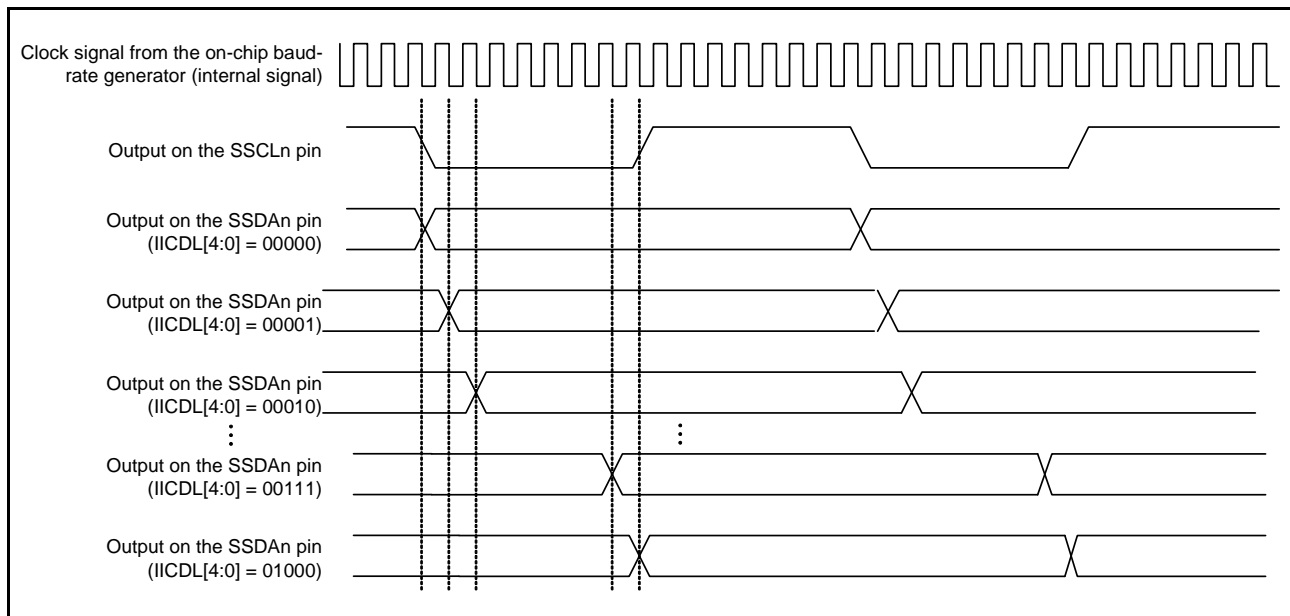


Figure 29.44 Timing of Delays in SSDA Output

29.7.4 SCI Initialization (Simple I²C Mode)

Before transferring data, write the initial value (00h) to SCR and initialize the interface in accordance with the flowchart shown as Figure 29.45.

When changing the operating mode, transfer format, and so on, be sure to set SCR to its initial value before proceeding with the changes.

In simple I²C mode, the open drain setting for the communication ports should be made on the port side.

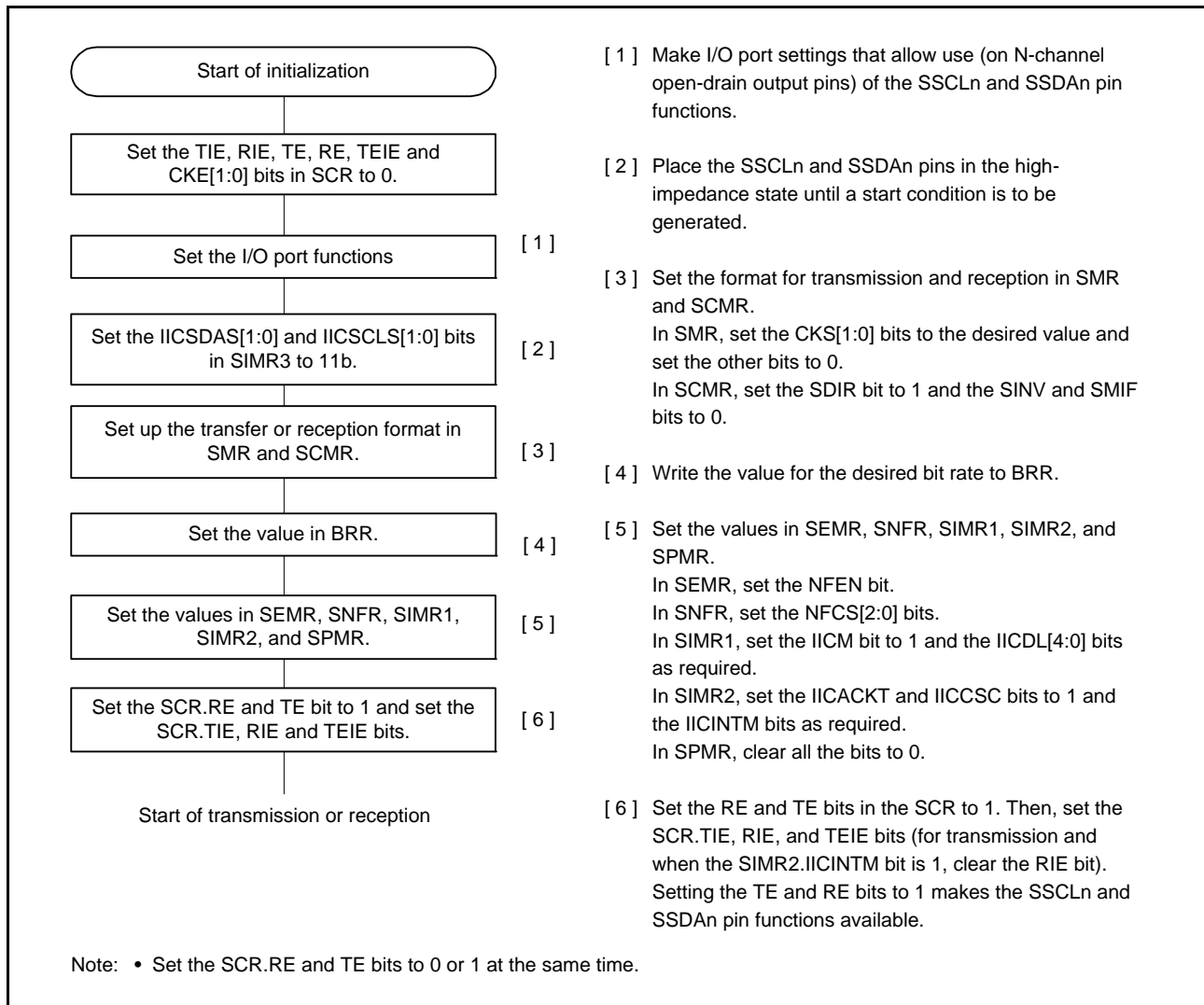


Figure 29.45 Example of the Flow of SCI Initialization (for Simple I²C Mode)

29.7.5 Operation in Master Transmission (Simple I²C Mode)

Figure 29.46 and Figure 29.47 show examples of operations in master transmission and Figure 29.48 is a flowchart showing the procedure for data transmission. The value of the SIMR2.IICINTM bit is assumed to be 1 (transmission and reception interrupts are in use) and the value of the SCR.RIE bit is assumed to be 0 (disabling reception interrupt requests). See Table 29.28 for more information on the STI interrupt.

When 10-bit slave addresses are in use, steps [3] and [4] in Figure 29.48 are repeated twice.

In simple I²C mode, the transmit end interrupt (TXI) is generated when communication of one frame is completed, unlike the TXI interrupt request generation timing during clock-synchronous transmission.

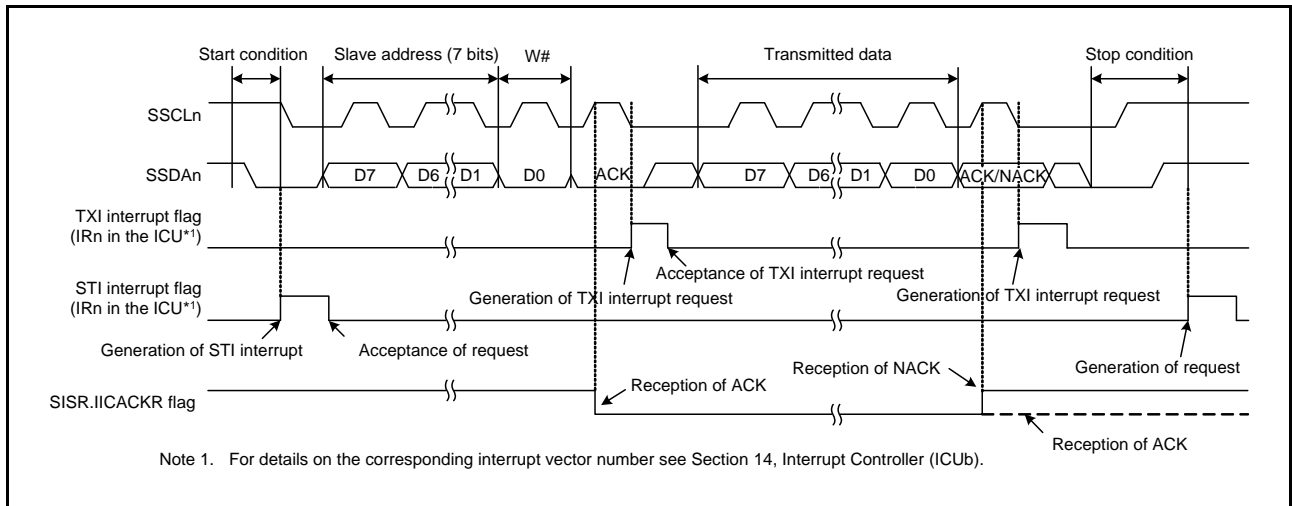


Figure 29.46 Example of Operations for Master Transmission in I²C Bus Mode (with Seven-Bit Slave Addresses, Transmission Interrupts, and Reception Interrupts in Use)

When the SIMR2.IICINTM bit is set to 0 (ACK and NACK interrupts are used) during master transmission, the DTC or DMAC is activated by the ACK interrupt as the trigger and necessary number of data bytes are transmitted. When the NACK is received, error processing, such as transmission stop and re-transmission, is performed by the NACK interrupt as the trigger.

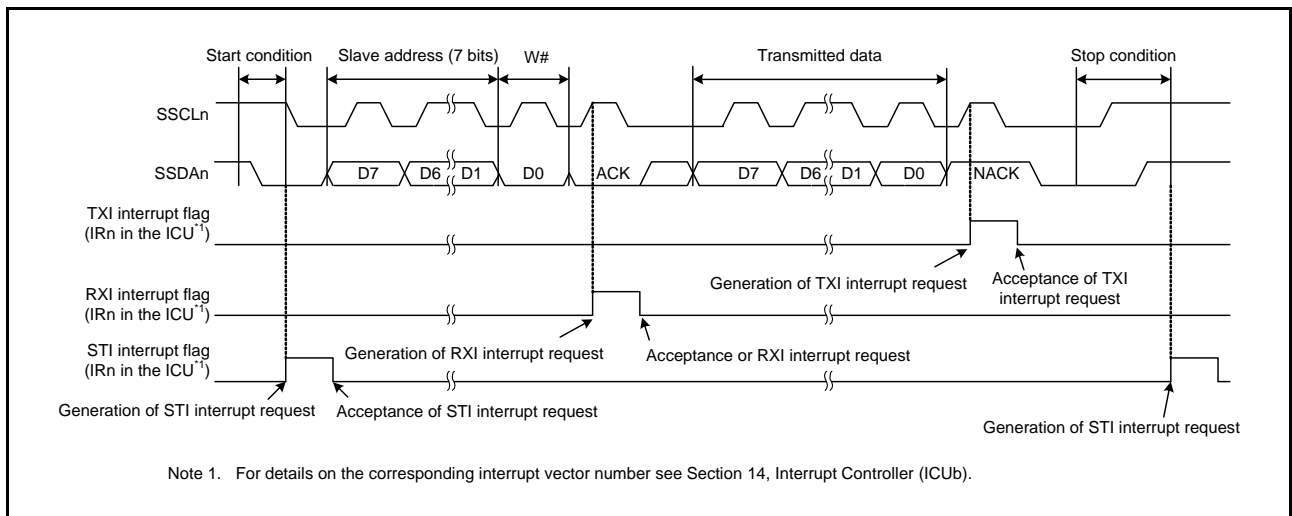


Figure 29.47 Example 2 of Operations for Master Transmission in Simple I²C Bus Mode (with Seven-Bit Slave Addresses, ACK Interrupts, and NACK Interrupts in Use)

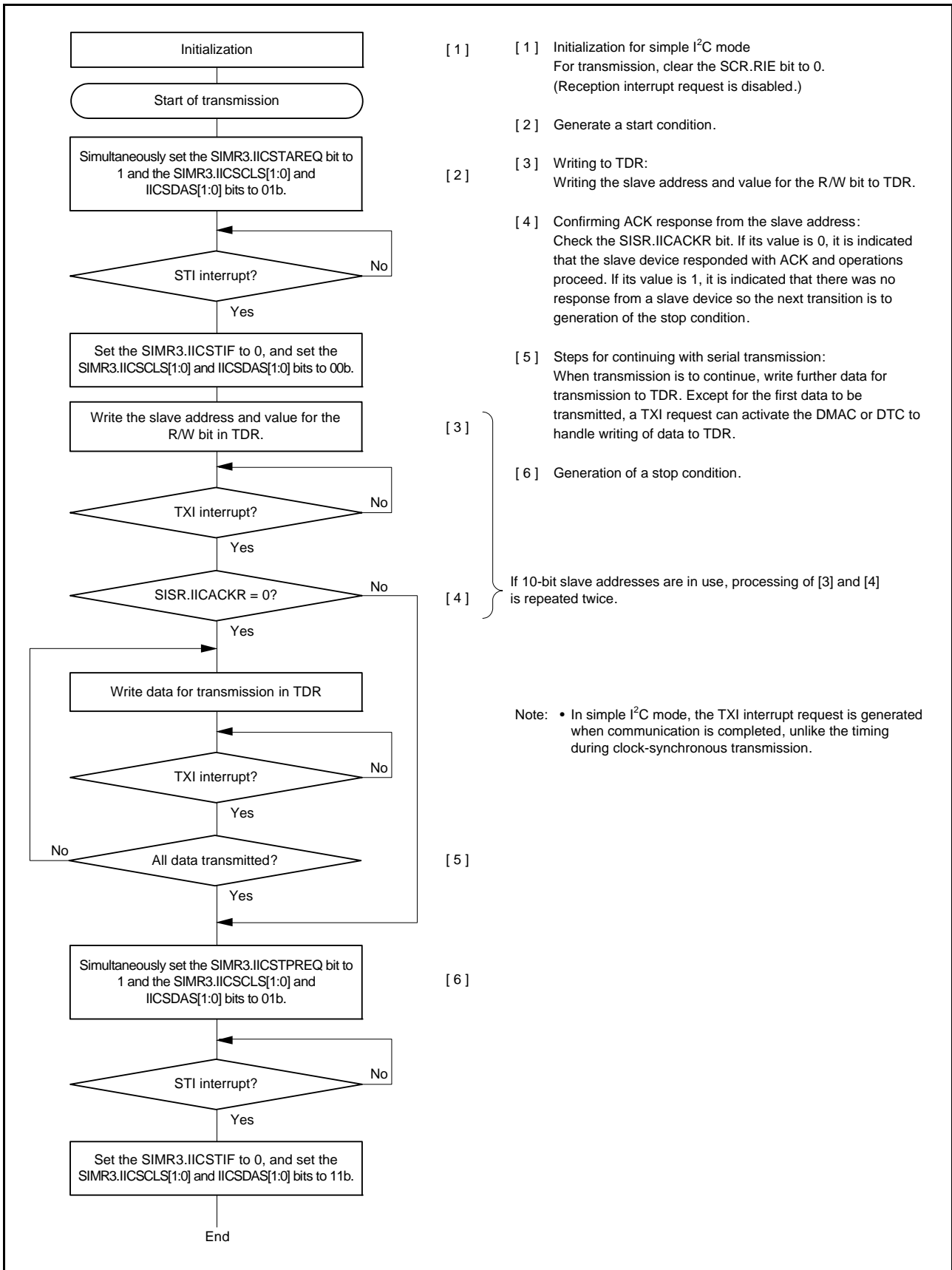


Figure 29.48 Example of the Procedure for Master Transmission Operations in Simple I²C Mode (with Transmission Interrupts and Reception Interrupts in Use)

29.7.6 Master Reception (Simple I²C Mode)

Figure 29.49 shows an example of operations in simple I²C mode master reception and Figure 29.50 is a flowchart showing the procedure for master reception.

The value of the SIMR2.IICINTM bit is assumed to be 1 (transmission and reception interrupts are in use).

In simple I²C mode, the transmit end interrupt (TXI) is generated when communication of one frame is completed, unlike the TXI interrupt request generation timing during clock-synchronous transmission.

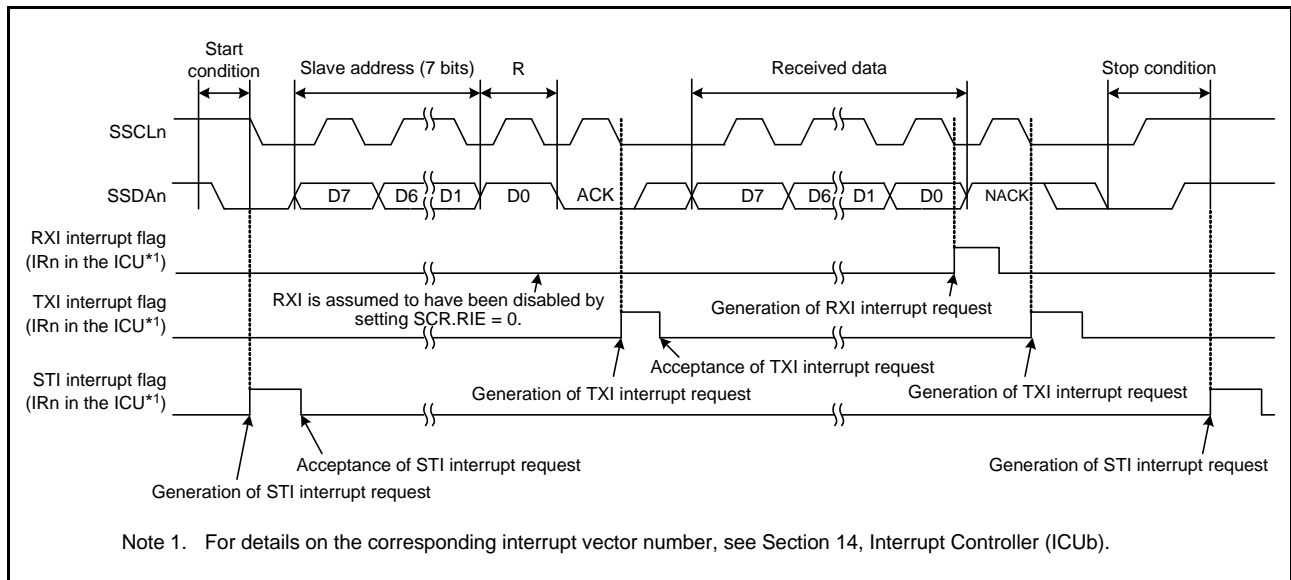


Figure 29.49 Example of Operations for Master Reception in I²C Bus Mode (with Seven-Bit Slave Addresses, Transmission Interrupts, and Reception Interrupts in Use)

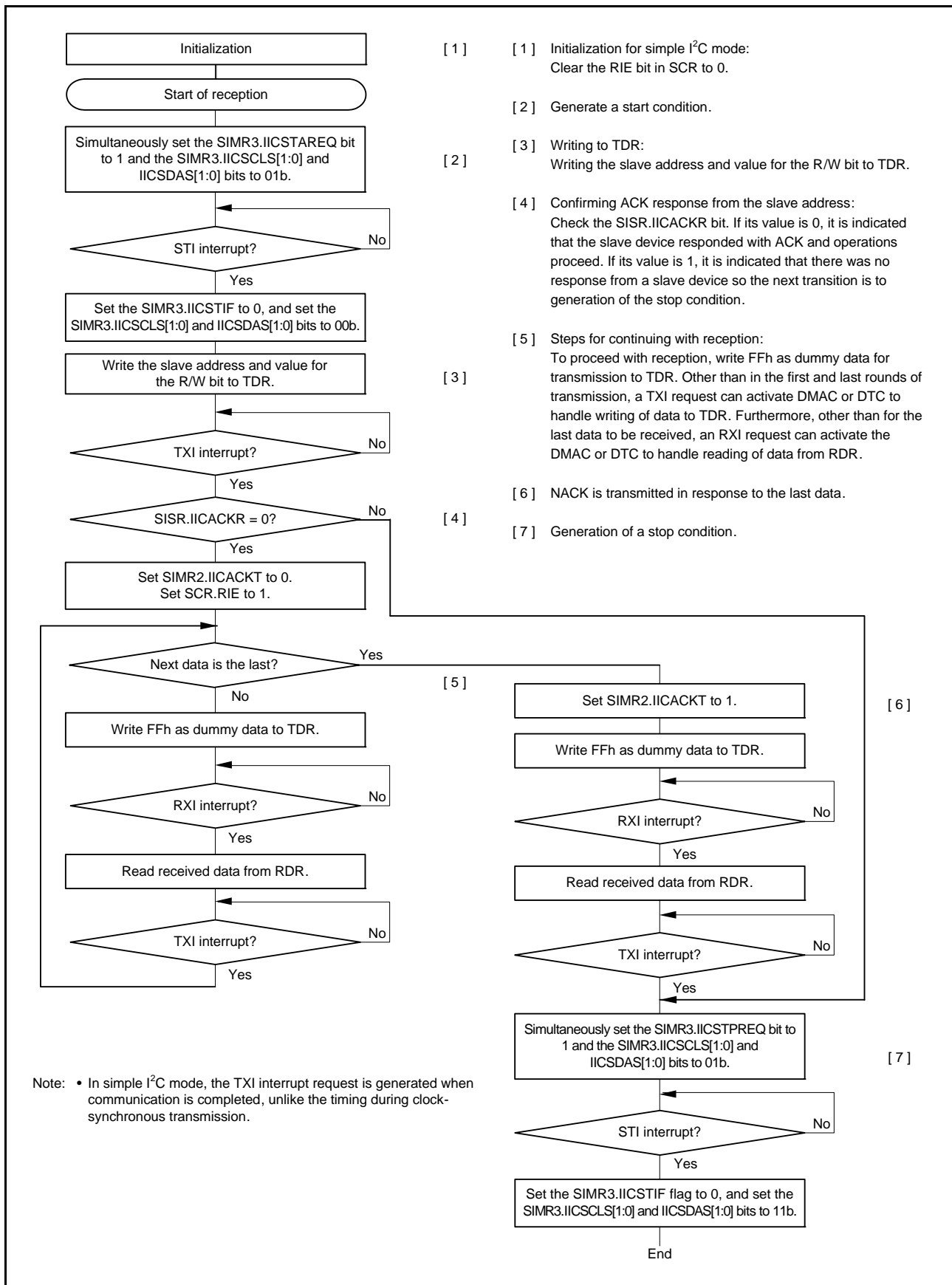


Figure 29.50 Example of the Procedure for Master Reception Operations in Simple I²C Mode (with Transmission Interrupts and Reception Interrupts in Use)

29.8 Operation in Simple SPI Mode

As an extended function, the SCI supports a simple SPI mode that handles transfer among one or multiple master devices and multiple slave devices.

Making the settings for clock-synchronous mode (SCMR.SMIF = 0, SIMR.IICM = 0, SMR.CM = 1) plus setting the SSE bit in the SPMR to 1 places the SCI in simple SPI mode. However, the SS pin function on the master side is unnecessary for connection of the device used as the master in simple SPI mode when the configuration only has a single master, so set the SSE bit in the SPMR to 0 in such cases.

Figure 29.51 shows an example of connections for simple SPI mode. Control a general port pin to produce the SS output signal from the master.

In simple SPI mode, data are transferred in synchronization with clock pulses in the same way as in clock-synchronous mode. One character of data for transfer consists of eight bits of data, and parity bits cannot be appended to this. The data can be inverted by setting the SCMR.SINV bit to 1.

Since the reception and transmission sections are independent of each other within the SCI module, full-duplex communications are possible, with a common clock signal. Furthermore, since both sections have a buffered structure, writing of further data for transmission while transmission is in progress and reading of previously received data while reception is in progress are both possible. Continuous transfer is thus possible.

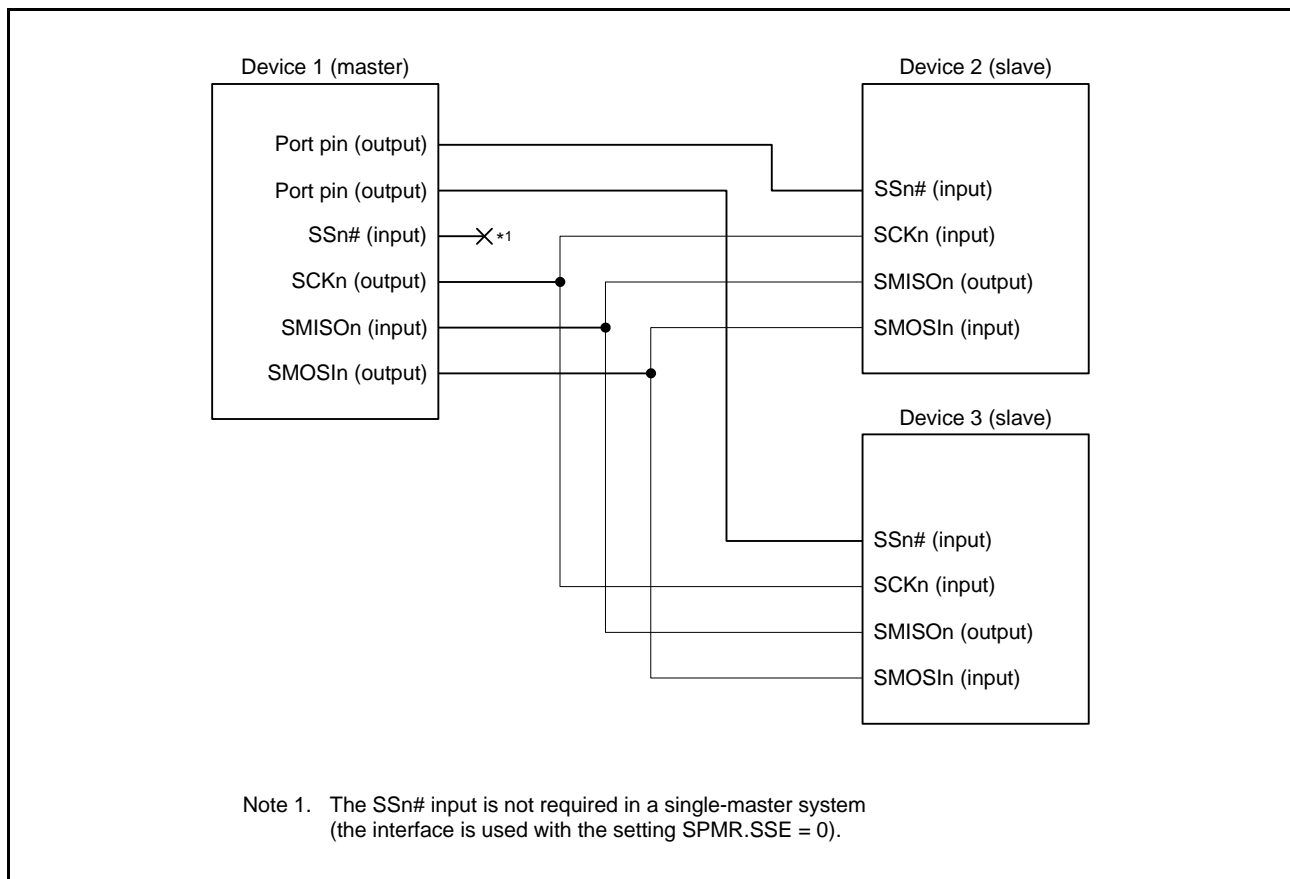


Figure 29.51 Example of Connections via a Simple SPI Mode (In Single Master Mode, SPMR.SSE Bit = 0)

29.8.1 States of Pins in Master and Slave Modes

The direction (input or output) of pins for the simple SPI mode interface differs according to whether the device is a master (SCR.CKE[1:0] = 00 or 01 and SPMR.MSS = 0) or slave (SCR.CKE[1:0] = 10 or 11 and SPMR.MSS = 1).

Table 29.24 lists the states of pins according to the mode and the level on the SSn# pin.

Table 29.24 States of Pins by Mode and Input Level on the SSn# Pin

Mode	Input on SSn# pin	State of SMOSIn pin	State of SMISOn pin	State of SCKn pin
Master mode*1	High level (transfer can proceed)	Output for data transmission*2	Input for received data	Clock output*3
	Low level (transfer cannot proceed)	High impedance	Input for received data (but disabled)	High impedance
Slave mode	High level (transfer can proceed)	Input for received data (but disabled)	High impedance	Clock input (but disabled)
	Low level (transfer cannot proceed)	Input for received data	Output for data transmission	Clock input

Note 1. When there is only a single master (SPMR.SSE = 0), transfer is possible regardless of the input level on the SSn# pin (this is equivalent to input of a high level on the SSn# pin). Since the SSn# pin function is not required, the pin is available for other purposes.

Note 2. The SMOSIn pin output is in the high-impedance state when transmission is disabled (SCR.TE bit = 0).

Note 3. The SCKn pin output is in the high-impedance state when transmission is disabled (SCR.TE and RE bits = 00b) in a multi-master configuration (SPMR.SSE = 1).

29.8.2 SS Function in Master Mode

Setting the CKE[1:0] bits in the SCR to 00b and the MSS bit in the SPMR to 0 selects master operation. The SSn# pin is not used in single-master configurations (SPMR.SSE = 0), so transmission or reception can proceed regardless of the value of the SSn# pin.

When the level on the SSn# pin is high in a multi-master configuration (SPMR.SSE = 1), a master device outputs clock signals from the SCKn pin before starting transmission or reception to indicate that there are no other masters or another master is performing reception or transmission. When the level on the SSn# pin is low in a multi-master configuration (SPMR.SSE = 1), there are other masters, and this indicates that transmission or reception is in progress. At this time the SMOSIn output and SCKn pins will be placed in the high-impedance state and starting transmission or reception will not be possible. Furthermore, the value of the SPMR.MFF bit will be 1, indicating a mode-fault error. In a multi-master configuration, start error processing by reading SPMR.MFF flag. Also, even if a mode-fault error occurs while transmission or reception is in progress, transmission or reception will not be stopped, but the SMOSIn and SCKn output pins will be placed in the high-impedance state after the completion of the transfer.

Control a general port pin to produce the SS output signal from the master.

29.8.3 SS Function in Slave Mode

Setting the CKE[1:0] bits in the SCR to 10b and the MSS bit in the SPMR to 1 selects slave operation. When the level on the SSn# pin is high, the SMISOn output pin will be in the high-impedance state and clock input through the SCKn pin will be ignored. When the level on the SSn# pin is low, clock input through the SCKn pin will be effective and transmission or reception can proceed.

If the input on the SSn# pin changes from low to high level during transmission or reception, the SMISOn output pin will be placed in the high-impedance state. Meanwhile, the internal processing for transmission or reception will continue at the rate of the clock input through the SCKn pin until processing for the character currently being transmitted or received is completed, after which it stops. At that time, an interrupt (the appropriate one from among TXI, RXI, and TEI) will be generated.

29.8.4 Relationship between Clock and Transmit/Receive Data

The CKPOL and CKPH bits in the SPMR can be used to set up the clock for use in transmission and reception in four different ways. The relation between the clock signal and the transmission and reception of data is shown in Figure 29.52. The relation is the same for both master and slave operation. This is the same as when the level on the SSn# pin is high. The SSn# pin can be used for another purpose. For details, see section 29.8.2, SS Function in Master Mode.

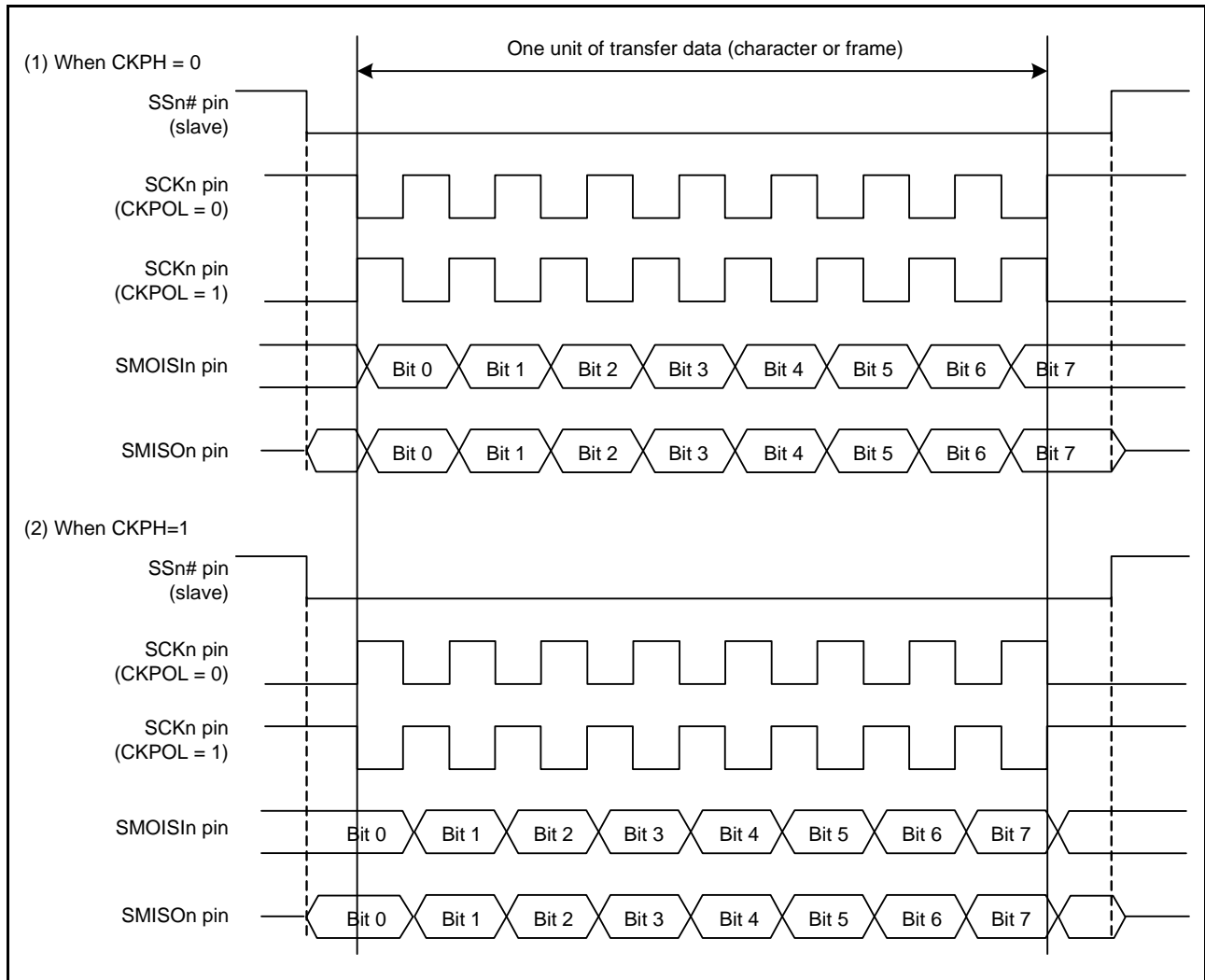


Figure 29.52 Relation between Clock Signal and Transmit/Receive Data in Simple SPI Mode

29.8.5 SCI Initialization (Simple SPI Mode)

The procedure is the same as for initialization in clock-synchronous mode Figure 29.21, Sample SCI Initialization Flowchart. The CKPOL and CKPH bits in the SPMR must be set to ensure that the kind of clock signal they select is suitable for both master and slave devices.

For initialization, changes to the operating mode, changes to the transfer format, and so on, initialize the SCR register before proceeding with changes.

As well as setting the RE bit to 0, note that the SSR.ORER, FER, and PER flags, as well as the RDR, are not initialized. Note that changing the value of the TE bit from 1 to 0 or from 0 to 1 will lead to the generation of a transmission interrupt (TXI) if the value of the TIE bit in the SCR is 1 at the time.

29.8.6 Transmission and Reception of Serial Data (Simple SPI Mode)

In master operation, ensure that the SSn# pin of the slave device on the other side of the transfer is at the low level before starting the transfer and at the high level on completion of the transfer. Otherwise, the procedures are the same as in clock-synchronous mode.

29.9 Extended Serial Mode Control Section: Description of Operation

29.9.1 Serial Transfer Protocol

In conjunction with an SCIc module, the extended serial mode control section of an SCId module can realize the serial transfer protocol composed of Start Frames and Information Frames that is shown in Figure 29.53.

A Start Frame is composed of a Break Field, Control Field 0, and Control Field 1. An Information Frame is composed of a number of Data Fields, a CRC16 Upper Field, and a CRC16 Lower Field.

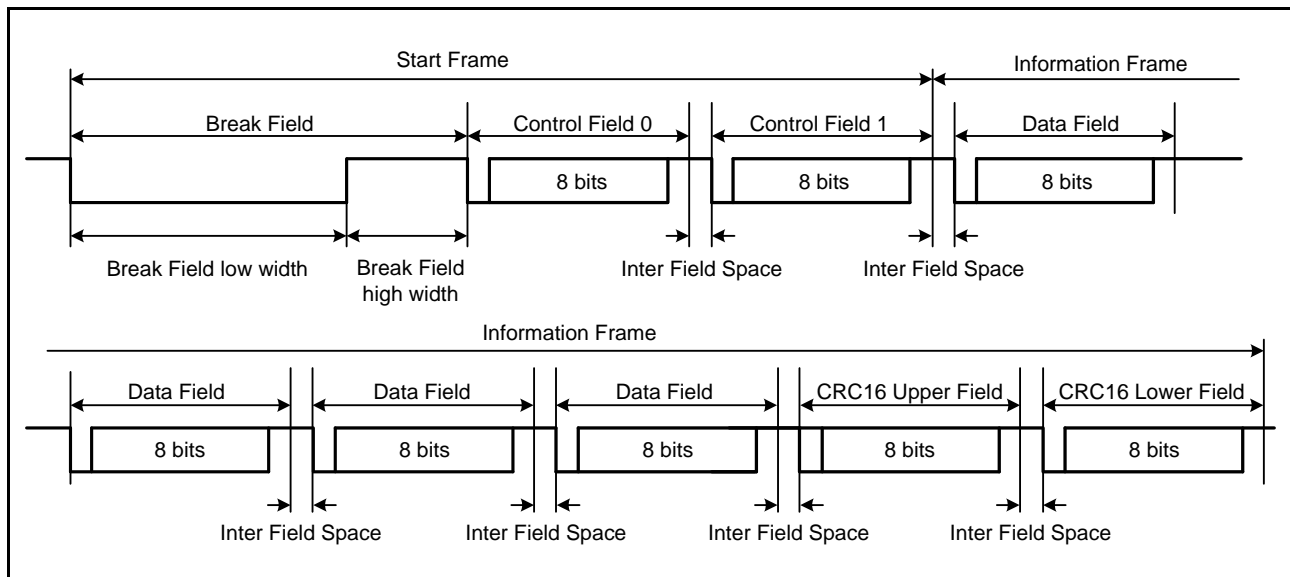


Figure 29.53 Protocol for Serial Transfer by the Extended Serial Mode Control Section

29.9.2 Transmitting a Start Frame

Figure 29.54 shows an example of operations to transmit a Start Frame, which is composed of the Break Field low width, Control Field 0, and Control Field 1. Figure 29.55 and Figure 29.56 are flowcharts for the transmission of a Start Frame.

Operations when the extended serial mode control section is to be used to transmit a Start Frame are as listed below. Be sure to use the SCI12 in asynchronous mode.

- (1) With Break Field low width output mode as the operating mode for the timer, writing 1 to the TCST bit in TCR starts counting by the timer, and the low level will be output from the TXDX12 pin over the period corresponding to the TCNT and TPRE settings.
- (2) The output on the TXDX12 pin is inverted when the timer counter underflows, and the BFDF bit in STR is set to 1. An SCIX0 interrupt is also generated if the value of the BFDIE bit in ICR is 1.
- (3) Writing 0 to the TCST bit in TCR stops counting by the timer, and SCI12 is used to send the data for Control Field 0. After the Break Field low width output, stop counting before the next underflow occurs.
- (4) Once the data for Control Field 0 have been transmitted, SCI12 is used to send the data for Control Field 1.
- (5) Once the data for Control Field 1 have been transmitted, SCI12 is used to send an Information Frame.

Omit the Break Field and Control Field 0 to suit the structure of the Start Frame.

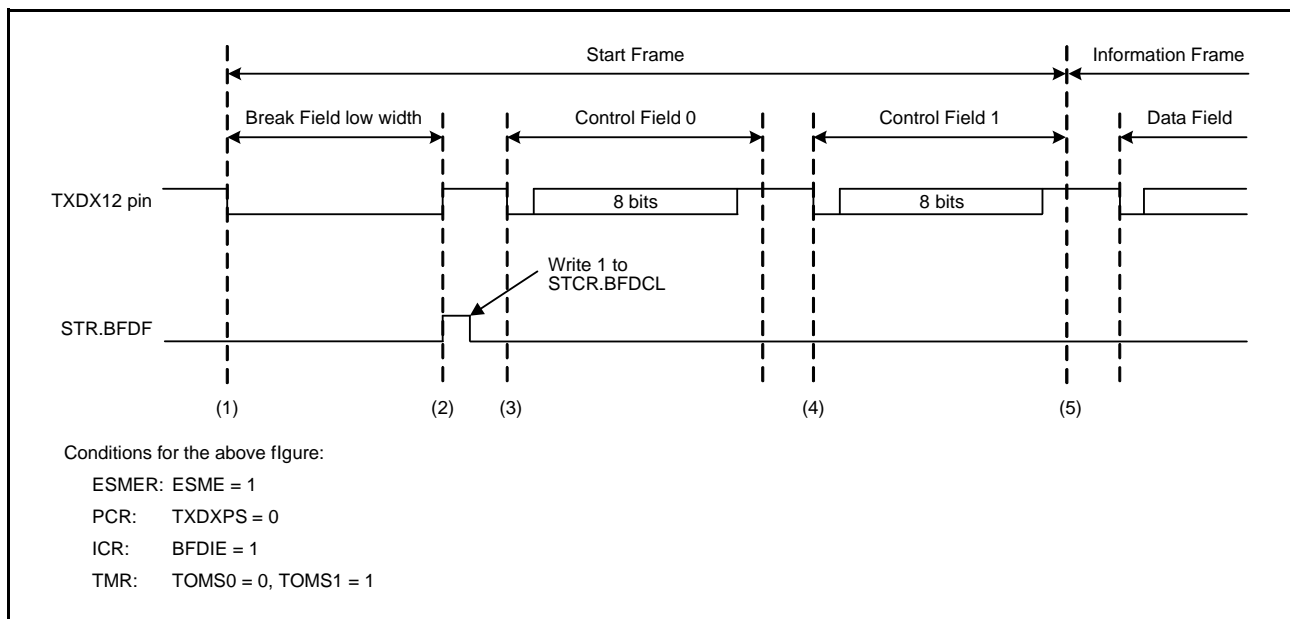


Figure 29.54 Example of Operations at the Time of Start-Frame Transmission

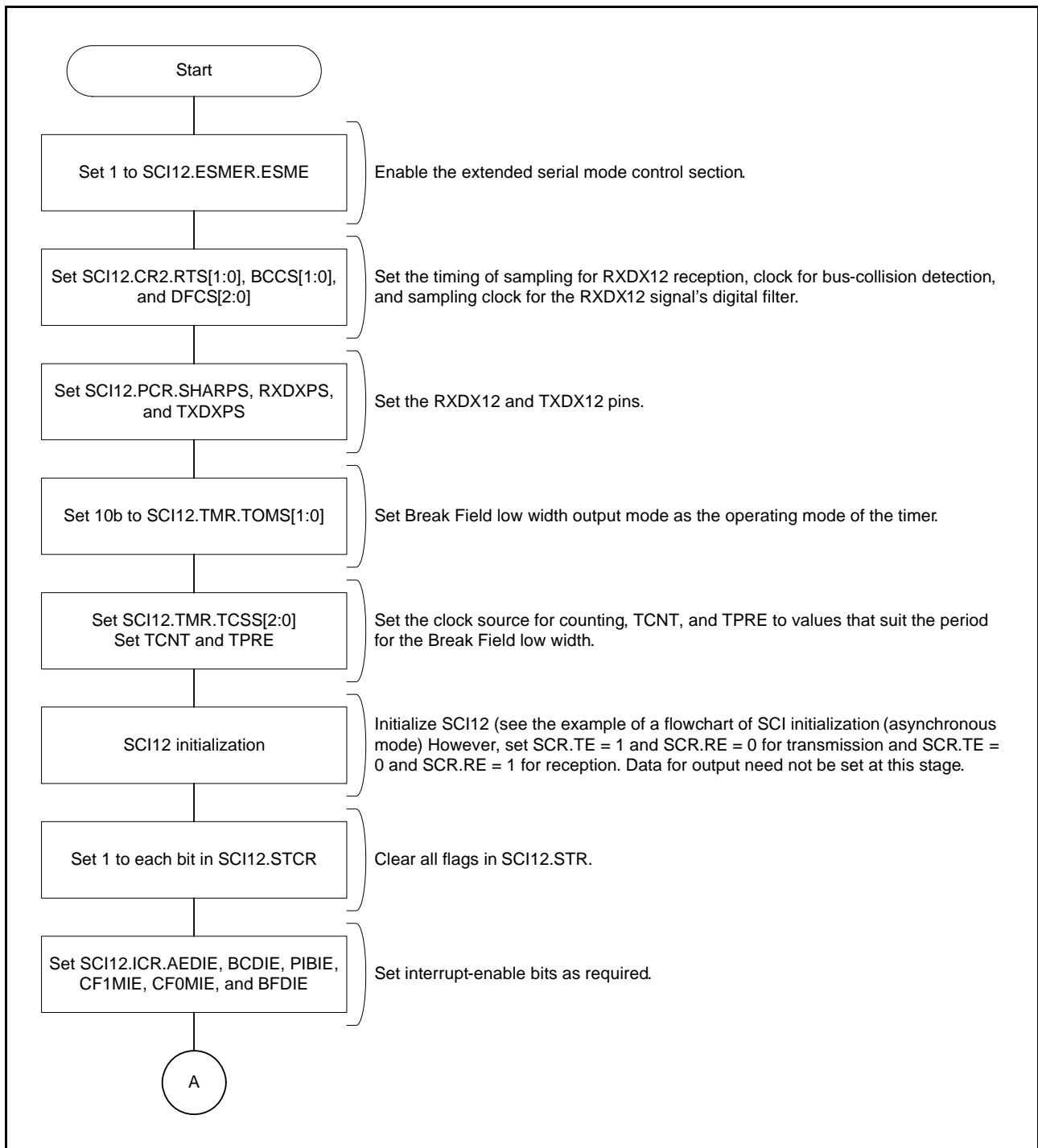


Figure 29.55 Sample Flowchart for Transmission of a Start Frame (1)

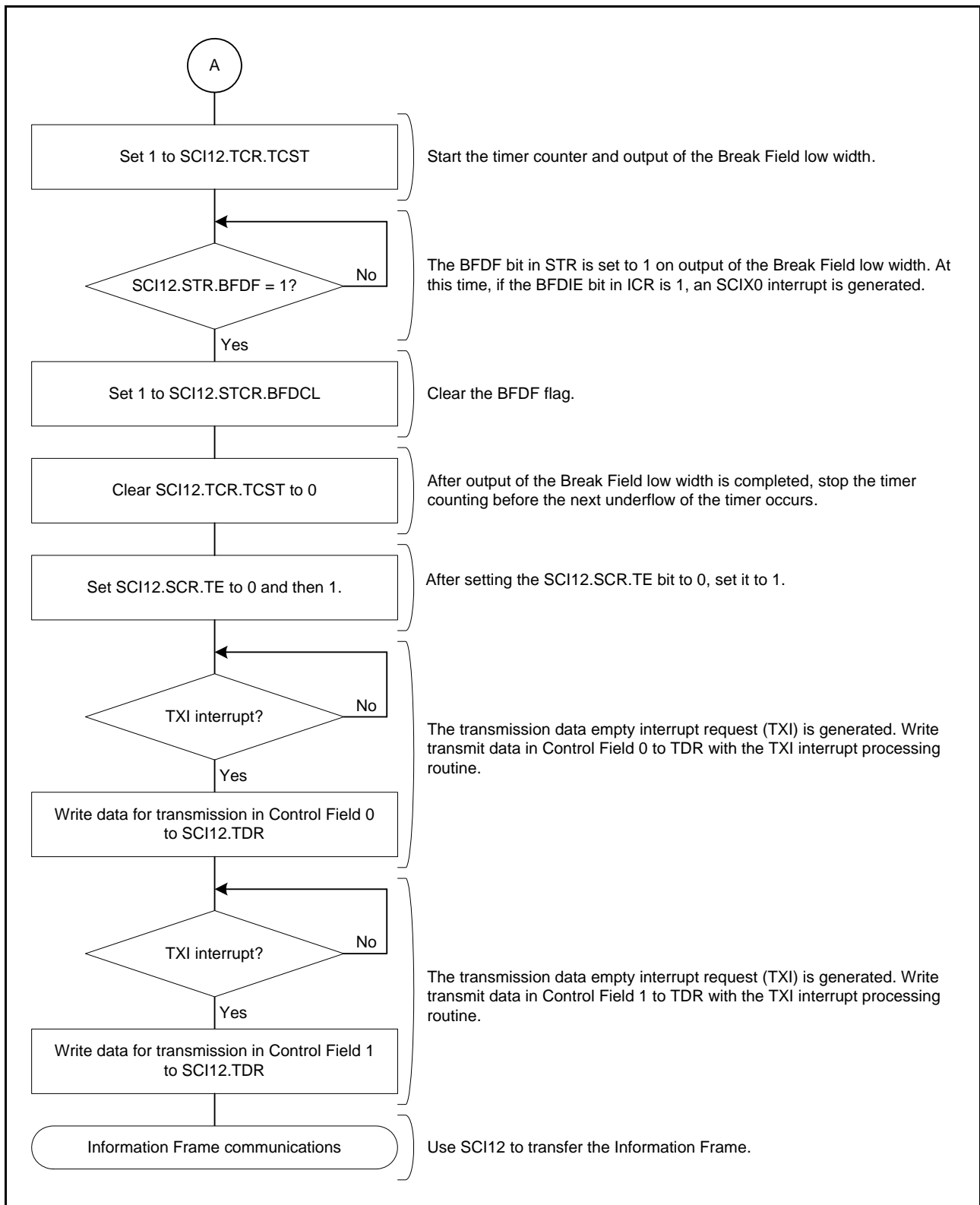


Figure 29.56 Sample Flowchart for Transmission of a Start Frame (2)

29.9.3 Receiving a Start Frame

The extended serial mode control section is capable of receiving Start Frames with the structures listed in Table 29.25.

Table 29.25 Structures of Start Frames

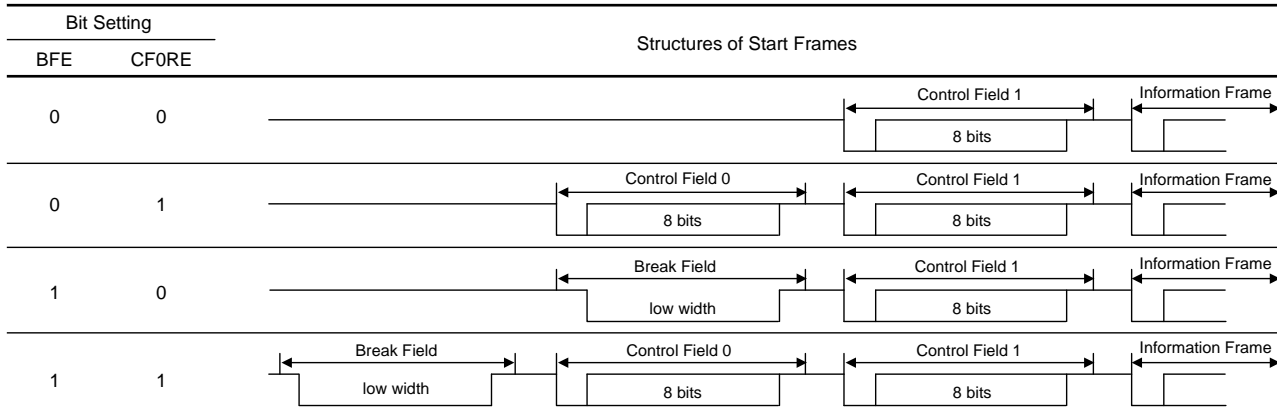


Figure 29.57 shows an example of operations to receive a Start Frame, which is composed of the Break Field low width, Control Field 0, and Control Field 1. Figure 29.58 and Figure 29.59 are flowcharts for the reception of a Start Frame, and Figure 29.60 is a state transition diagram for the extended serial mode control section.

Operations when the extended serial mode control section is to be used to receive a Start Frame are as listed below. Be sure to use the SCI12 in asynchronous mode.

- (1) With Break Field low width detection mode as the operating mode for the timer, writing 1 to the SDST bit in CR3 enables detection of the Break Field low width. RXDX12 input to the SCI12 module is disabled at this time.
- (2) Low-level input on the RXDX12 pin continuing over a period longer than that corresponding to the settings of TCNT and TPRE is detected as the Break Field low width. At this time, the BDFD bit in STR is set to 1. An SCIX0 interrupt is also generated if the value of the BFDIE bit in ICR is 1.
- (3) When the input from the RXDX12 pin goes high after the Break Field low width, the RXDSF bit in CR0 becomes zero and reception of Control Field 0 by the SCI12 module starts.
- (4) If the data received in Control Field 0 match the data set in CF0DR, the CF0MF bit in STR is set to 1. An SCIX1 interrupt is also generated if the value of the CF0MIE bit in ICR is 1. Reception of Control Field 1 by the SCI12 module starts after that. If the data received in Control Field 0 do not match the data set in CF0DR, a transition to the state prior to Break Field low width detection proceeds.
- (5) If the data received in Control Field 1 match the data set in PCF1DR and SCF1DR, the CF1MF bit in STR is set to 1. An SCIX1 interrupt is also generated if the value of the CF1MIE bit in ICR is 1. Transfer of the Information Frame by the SCI12 module starts after that. If the data received in Control Field 1 do not match the data set in either or both of PCF1DR and SCF1DR, a transition to the state prior to Break Field low width detection proceeds.

Omit the Break Field and Control Field 0 to suit the structure of the Start Frame.

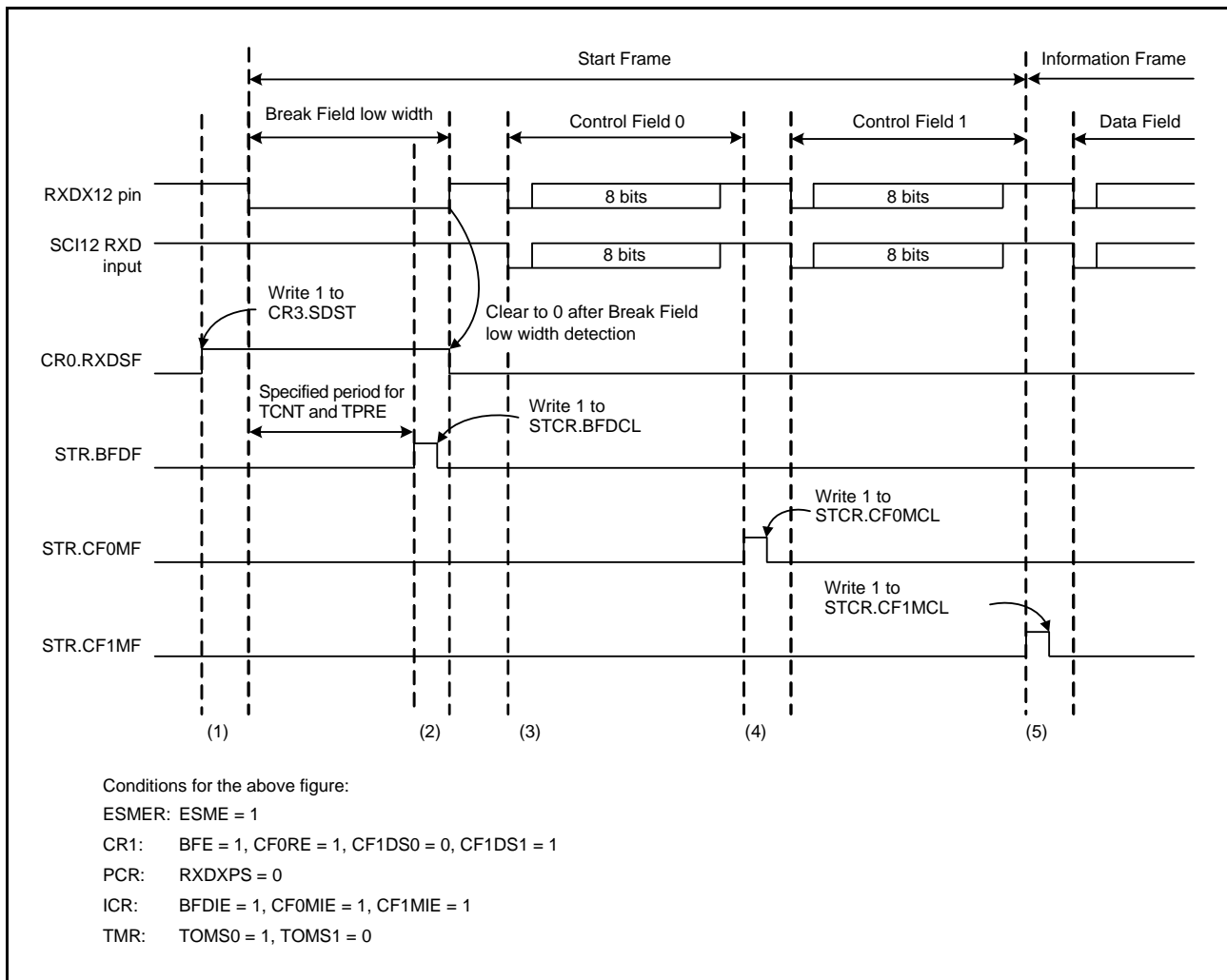


Figure 29.57 Example of Operations at the Time of Start-Frame Reception

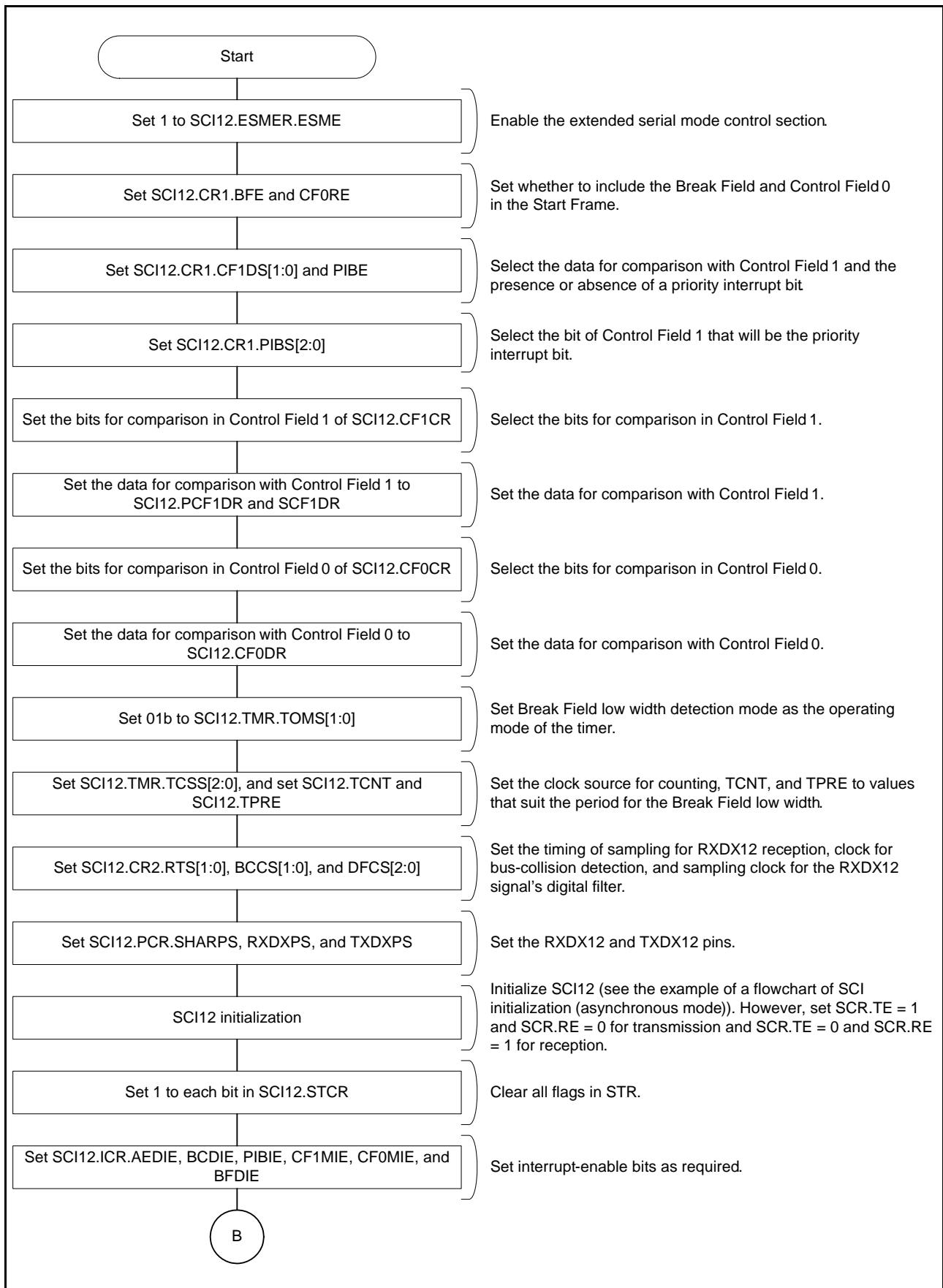


Figure 29.58 Sample Flowchart for Reception of a Start Frame (1)

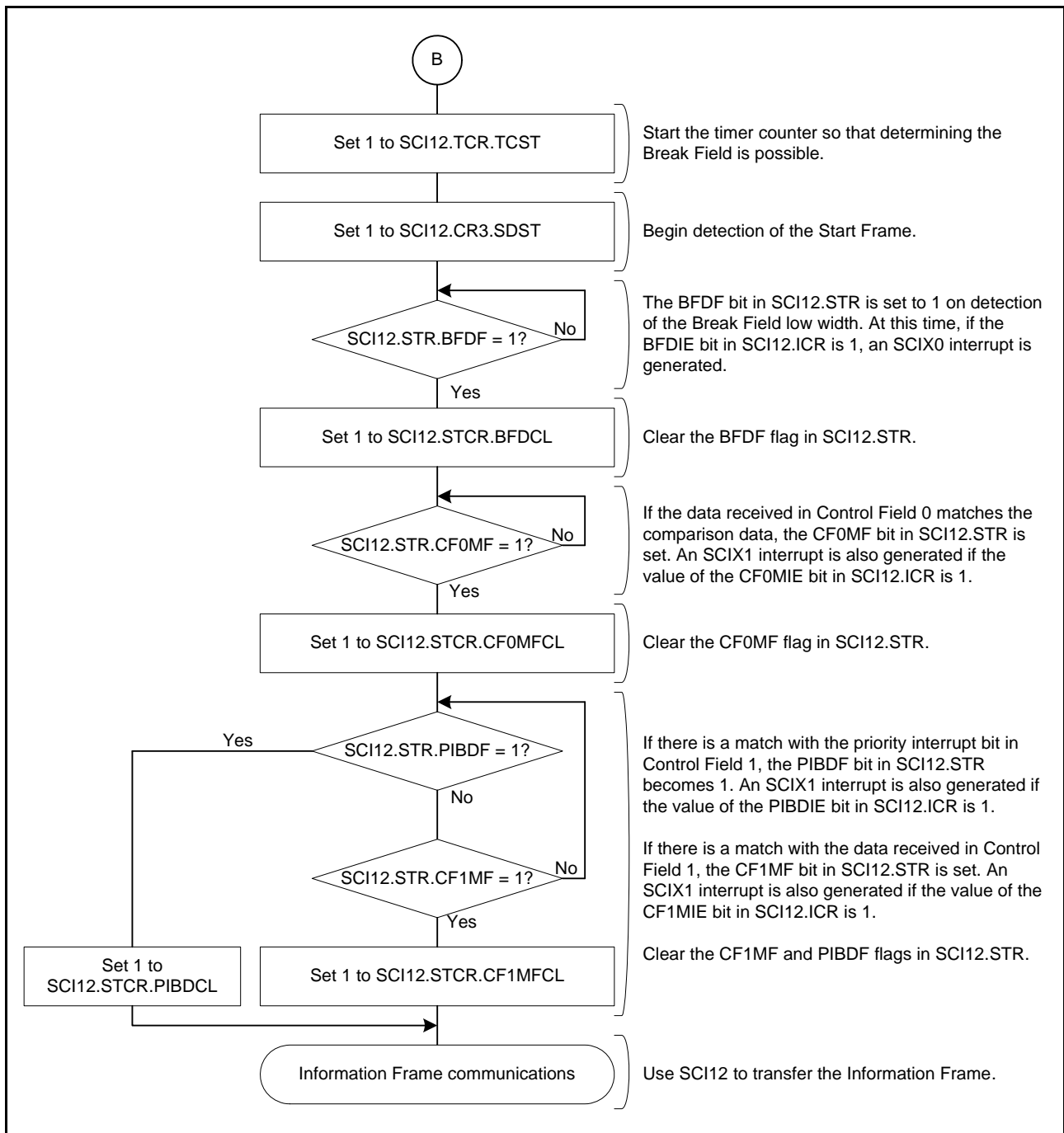


Figure 29.59 Sample Flowchart for Reception of a Start Frame (2)

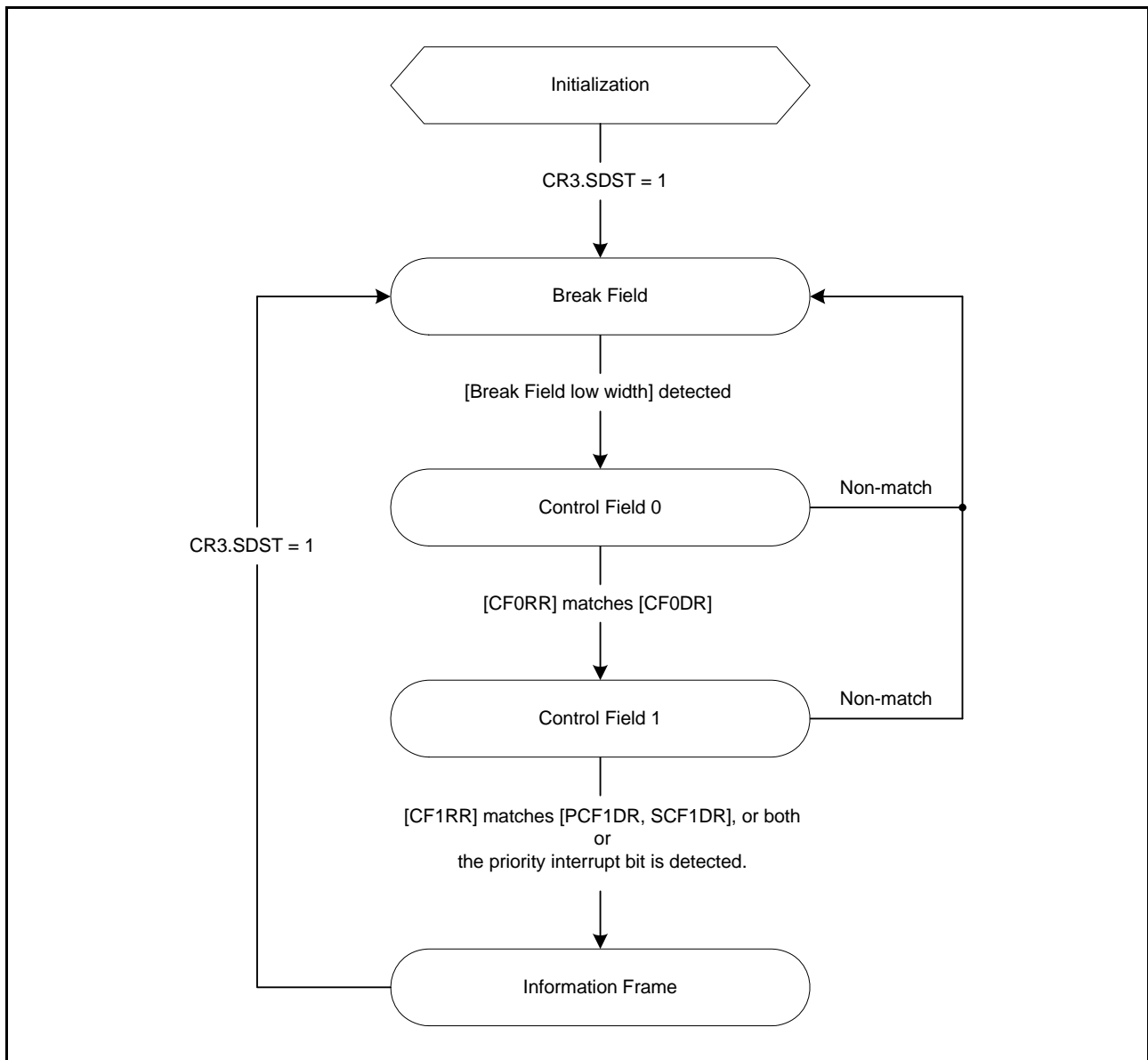


Figure 29.60 Diagram of State Transitions at the Time of Start-Frame Reception

29.9.3.1 Priority Interrupt Bit

Figure 29.61 shows an example of operation in Start-Frame reception where a priority interrupt bit is in use. Setting the PIBE bit in CR1 to 1 enables the use of a priority interrupt bit.

Operations of the extended serial mode control section in start-Frame reception where a priority interrupt bit is in use are as described below.

Steps (1) to (4) are the same as in Figure 29.57, for Start-Frame reception.

- (5) If the value of the bit selected by the PIBS[2:0] bits in CR1 matches the corresponding bit in PCF1DR, the PIBDF bit in STR is set to 1. An SCIX1 interrupt is also generated if the value of the PIBDIE bit in ICR is 1. Transfer of the Information Frame by the SCI2 module starts after that. If the data received in Control Field 1 do not match the data set in either or both of PCF1DR and SCF1DR and the priority interrupt bit is not detected, a transition to the state prior to Break Field low width detection proceeds.

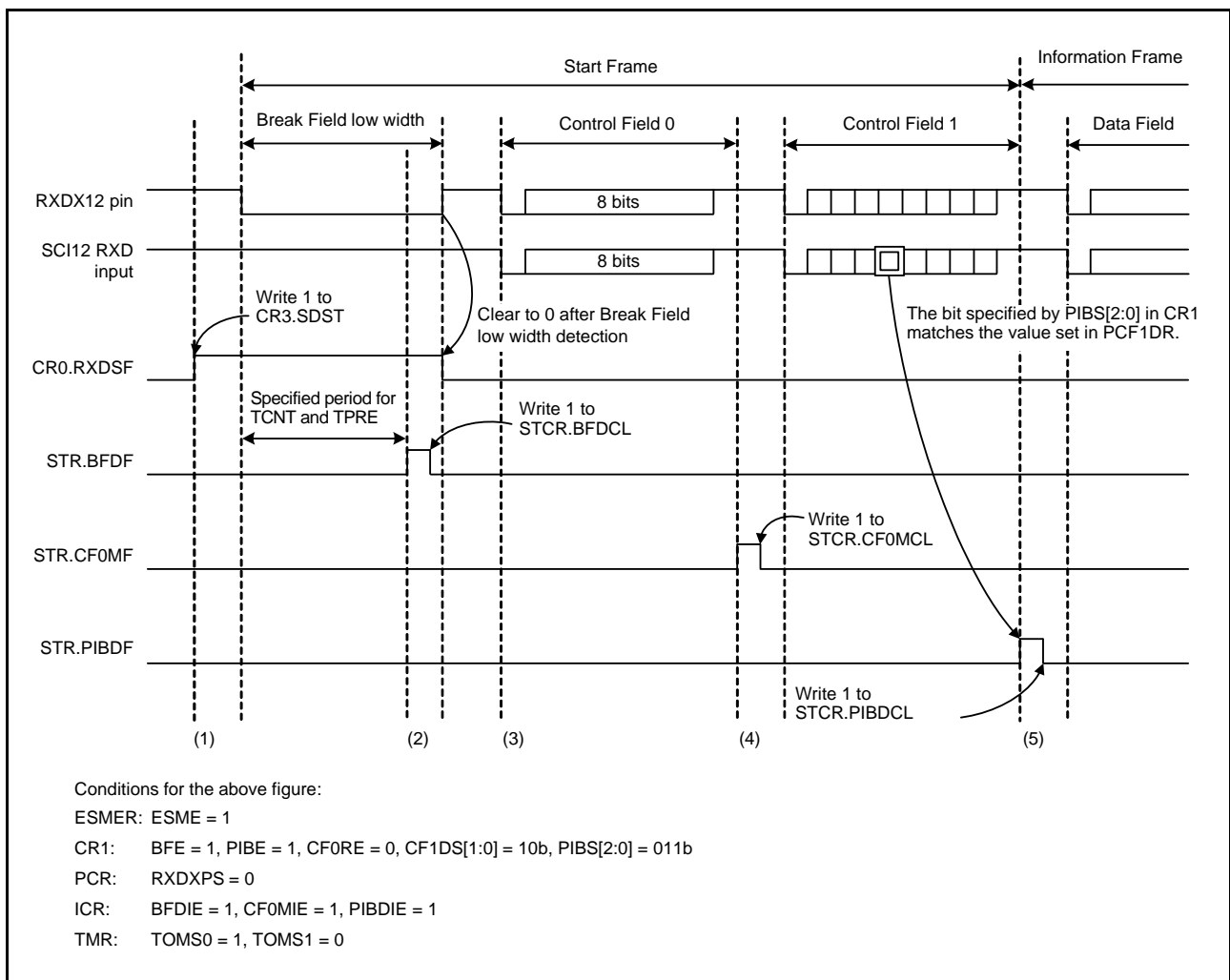


Figure 29.61 Example of Operations at the Time of Start-Frame Reception (with Priority Interrupts in Use)

29.9.4 Detection of Bus Collisions

Detection of bus collisions operate for cases where output of the Break Field low width and transmission of data by the SCI2 module are in progress when the ESMER.ESME and the SCI2.SCI. TE are set to 1.

Figure 29.62 shows an example of operations with bus collision detection. Signals output through TXDX12 and input through RXDX12 are sampled with the bus-collision detection clock set with CR2.BCCS[1:0] as the sampling clock, and the BCDf bit in STR is set to 1 if the signals fail to match three times in a row. An SCIX2 interrupt is also generated if the value of the BCDIE bit in ICR is 1.

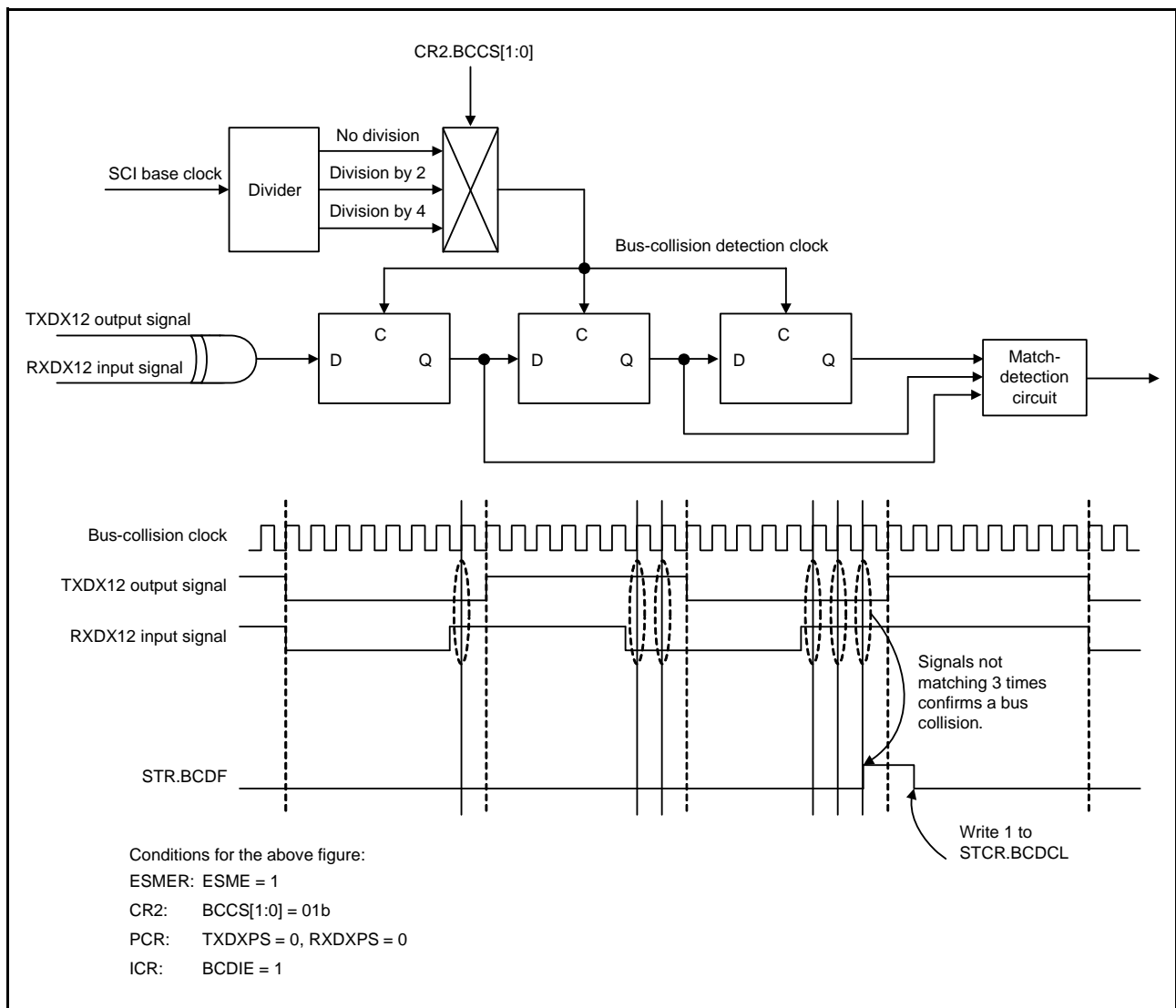


Figure 29.62 Example of Operations with Bus-Collision Detection

29.9.5 Digital Filter for Input on the RXDX12 Pin

Signals input through the RXDX12 pin can be passed through a digital filter before they are conveyed to the internal circuits. The digital filter consists of three flip-flop circuit stages connected in series and a match-detecting circuit. The DFCS[2:0] bits in CR2 select the sampling clock for the RXDX12 pin input signals. If the outputs of all three latches match, the given level is conveyed to subsequent circuits. If the levels do not match, the previous value is retained. In other words, levels are confirmed as being the signal if they are retained for at least three cycles of the sampling clock but judged to be noise rather than changes in the signal level if they change within three cycles of the sampling clock. Figure 29.63 shows an example of operations with the digital filter.

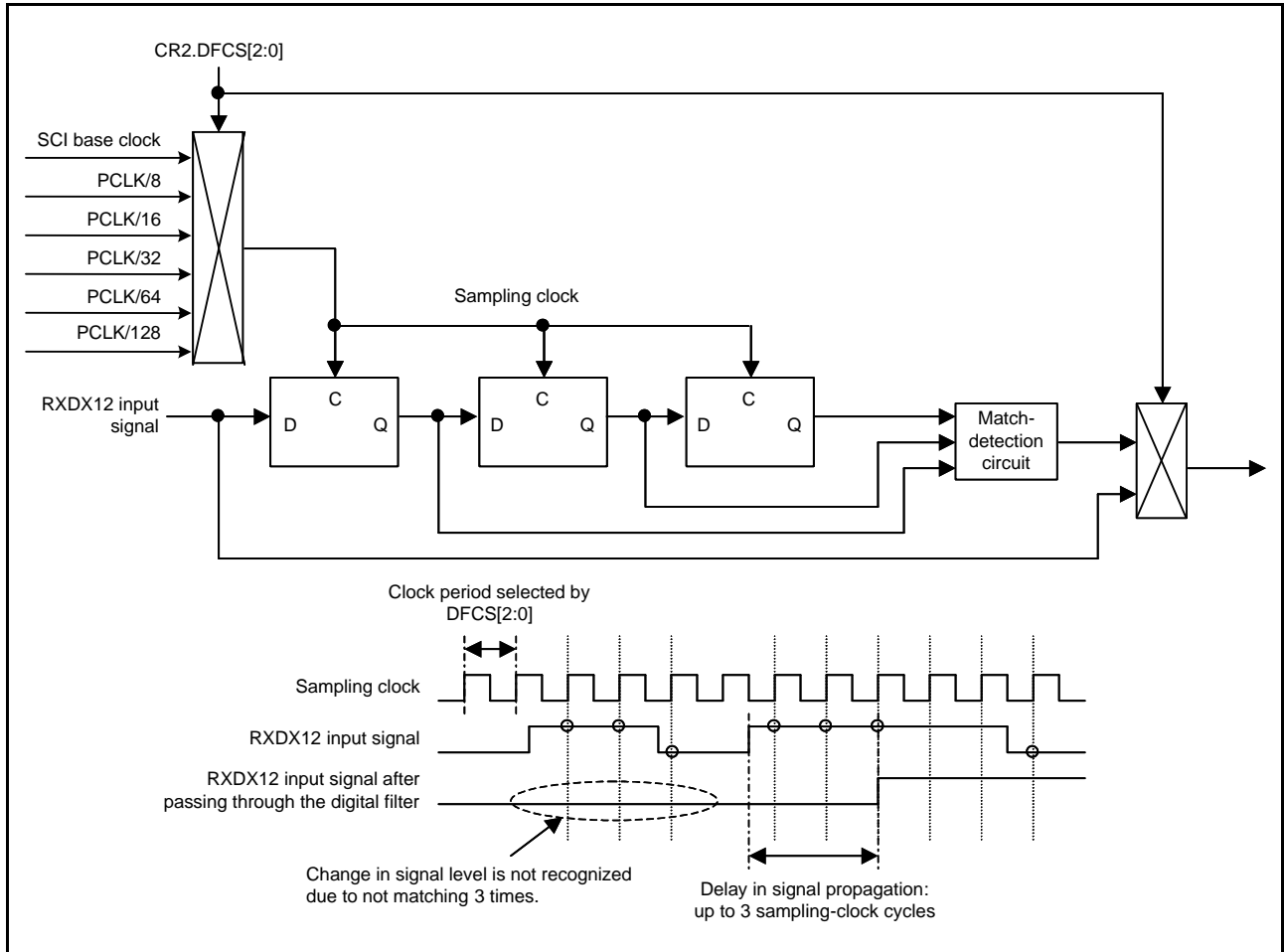


Figure 29.63 Example of Operations with the Digital Filter

29.9.6 Bit-Rate Measurement

The bit-rate measurement function measures the intervals between rising and falling edges and between falling and rising edges of the signal input from the RXDX12 pin. Figure 29.64 shows an example of operations for bit-rate measurement.

- (1) Writing 1 to the BRME bit in CR0 enables bit-rate measurement. Only set BRME to 1 when you wish to proceed with bit-rate measurement. Furthermore, bit-rate measurement will not proceed during a Break Field, even if BRME is set to 1.
- (2) After detection of the Break Field low width, bit-rate measurement starts when the level input on the RXDX12 pin becomes high.
- (3) Once bit-rate measurement has started, counter values from the timer are retained in the read buffers on the input of valid edges from the RXDX12 pin (rising and falling edges) and the counter is reloaded. An SCIX3 interrupt is also generated if the value of the AEDIE bit in ICR is 1. Retention by TCNT and TPRES is released by reading these registers.
- (4) The bit rate as calculated from the values counted during intervals between valid edges can be used for adjusting the rate by changing the settings of the SCI12 module. To disable the bit-rate measurement after a match with Control Field 1, write 0 to the BRME bit in CR0.

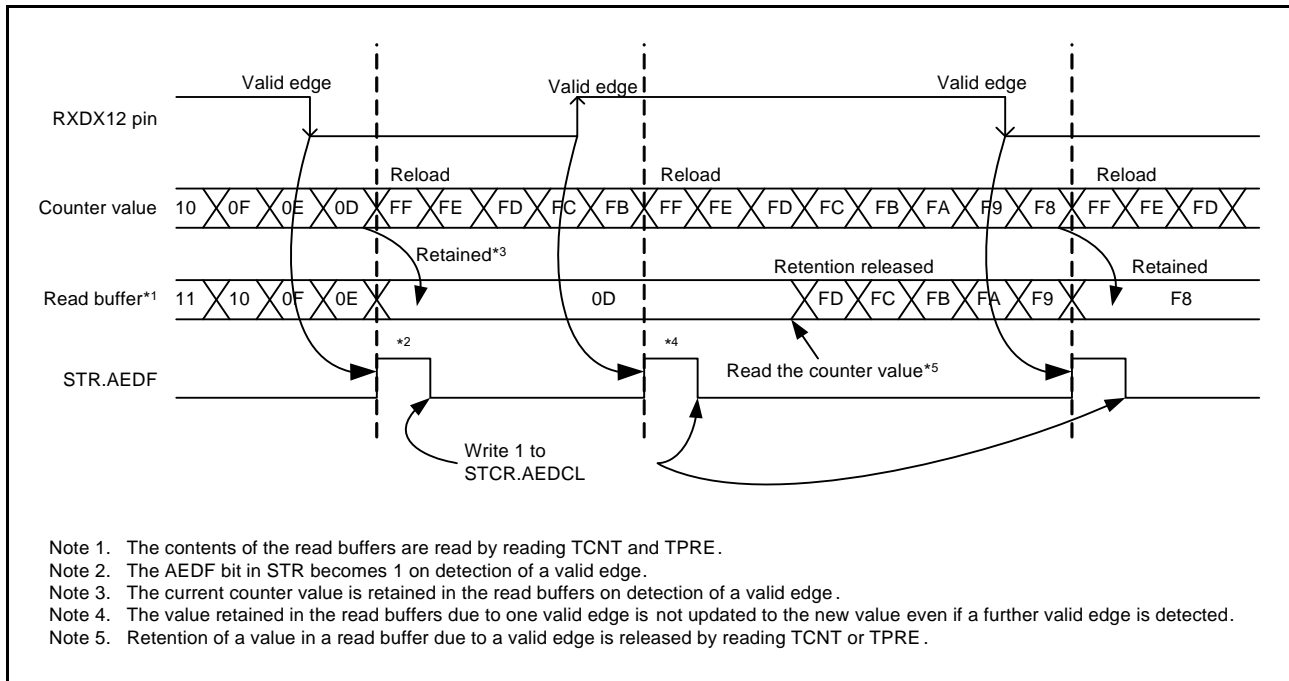


Figure 29.64 Example of Operations for Bit-Rate Measurement

29.9.7 Selectable Timing for Sampling Data Received through RXDX12

The extended serial mode control section provides a way of adjusting the timing for the sampling of data received through the RXDX12 pin of an SCI12 module by setting the RTS0 and RTS1 bits in CR2 to select the rising edges of 8, 10, 12, or 14 cycles of SCI base clock. If the value of the ABCS bit in SEMR is 1, the bits select the rising edges of 4, 5, 6, or 7 cycles of the PCLK clock of the SCI12 module. Figure 29.65 shows timing for the sampling of data received through RXDX12.

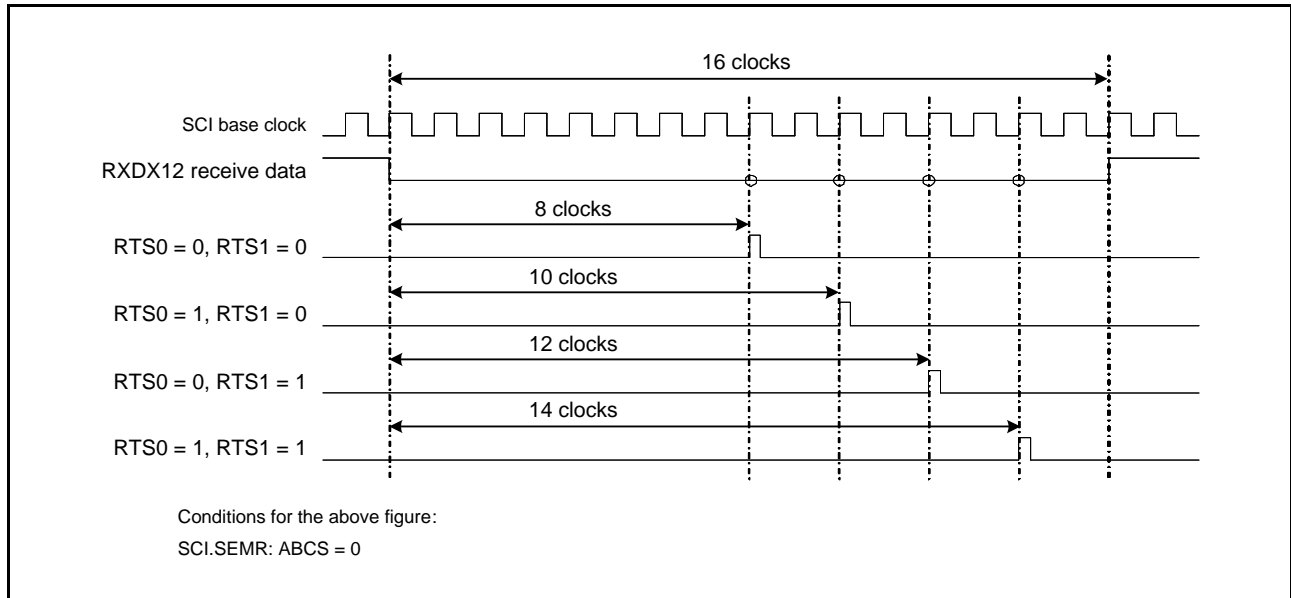


Figure 29.65 Timing for Sampling of Data Received through RXDX12

29.9.8 Timer

The timer has the following operating modes.

(1) Break Field Low Width Output Mode

This mode is for output through the TXDX12 pin of the low level over the Break Field low width at the time of transmitting a Start Frame. Setting TOMS0 to 0 and TOMS1 to 1 in TMR switches operation to Break Field low width output mode. The TCSS[2:0] bits in TMR select the clock source for the counter. When the TCST bit in TCR is set to 1, the output on the TXDX12 pin goes to the low level and counting starts. When the timer underflows, the output on the TXDX12 pin goes to the high level and the BDFD bit in the STR is set to 1. An SCIX0 interrupt is also generated if the value of the BFDIE bit in ICR is 1. When 0 is written to the TCST bit in TCR, counting stops after reloading of TPRES and TCNT. After output of the Break Field low width is completed, stop the timer before it underflows again. Figure 29.66 shows an example of operations in Break Field low width output mode.

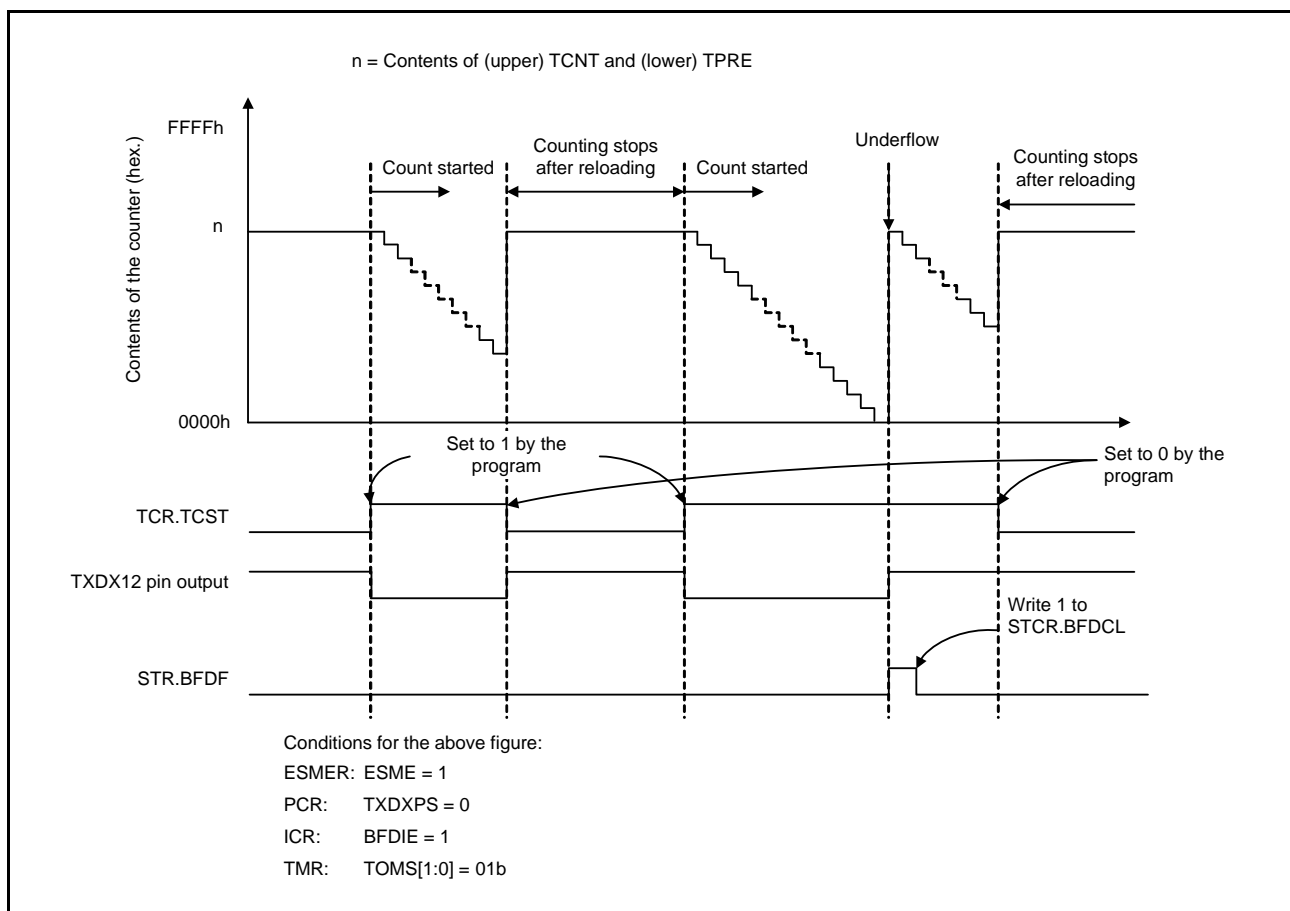


Figure 29.66 Example of Operations in Break Field Low Width Output Mode

(2) Break Field Low Width Determination Mode

This mode is for determining the Break Field low width in the input signal on the RXDX12 pin at the time of receiving a Start Frame. Setting TOMS0 to 1 and TOMS1 to 0 in TMR switches operation to Break Field low width determination mode. The TCSS[2:0] bits in TMR select the clock source for the counter. When the TCST bit in TCR is set to 1, the interface enters the Break Field low width determinable state. Determination starts when a low level is input from the RXDX12 pin. When a high level is then input on the RXDX12 pin, TPRE and TCNT are reloaded and the interface enters the Break Field low width determinable state. When the timer underflows during Break Field low width determination, the BDFD bit in STR is set to 1. An SCIX0 interrupt is also generated if the value of the BFDIE bit in ICR is 1. If an underflow of the timer during data transfer cause a problem in the form of interrupt generation, stop the timer after Break Field low width determination. Figure 29.67 shows an example of operations in Break Field low width output mode.

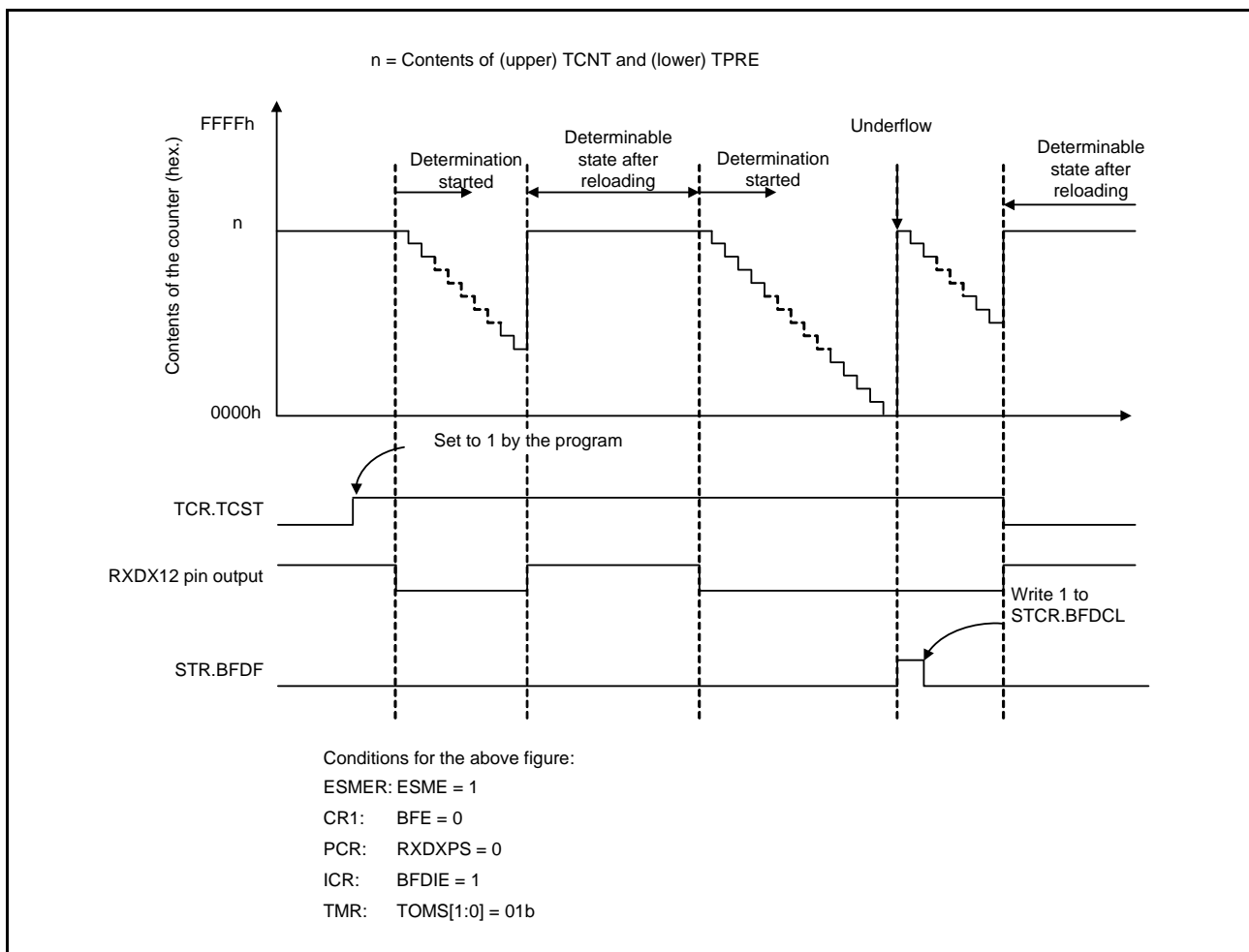


Figure 29.67 Example of Operations in Break Field Low Width Determination Mode

(3) Timer Mode

This mode is for counting cycles of the internal clock as the clock source. Setting TOMS0 to 0 and TOMS1 to 0 in TMR switches operation to timer mode. The TCSS[2:0] bits in TMR select the clock source for counting. Counting starts when 1 is written to the TCST bit in TCR and stops when 0 is written to TCST. TPRE and TCNT both count down. TPRE counts cycles of the clock source for counting, and underflows of TPRE provide the clock source for counting by TCNT. When the timer underflows, the BDFD bit in STR is set to 1. An SCIX0 interrupt is also generated if the value of the BFDIE bit in ICR is 1.

29.10 Noise Cancellation Function

Figure 29.68 shows the configuration of the noise filter used for noise cancellation. The noise filter consists of two stages of flip-flop circuits and a match-detection circuit. When the level on the pin matches in three consecutive samples taken at the set sampling interval, the matching level continues to be conveyed internally until the level on the pin again matches in three consecutive samples.

In asynchronous mode, the noise cancellation function can be applied on the RXDn input signal. The period of the base clock (1/16th of a bit-period when SEMR.ABCS = 0 and 1/8th of a bit-period when SEMR.ABCS = 1) is the sampling interval.

In simple I²C mode, the noise cancellation function can be applied on the SSDAn and SSCLn input signals. The sampling clock is the clock signal produced by frequency-dividing the signal from the clock source for the internal baud-rate generator by one, two, four, or eight as selected by the setting of the SNFR.NFCS[2:0] bits.

If the base clock is stopped with the noise filter enabled and then the clock input is started again, the noise filter operation resumes from where the clock was stopped. If SCR.TE and SCR.RE are set to 0 during base clock input, all of the noise filter flip-flop values are initialized to 1. Accordingly, if the input data is 1 when reception operation resumes, it is determined that a level match is detected and is conveyed to the internal signal. When the level being input corresponds to 0, the initial output of the noise filter is retained until the level matches in three consecutive samples.

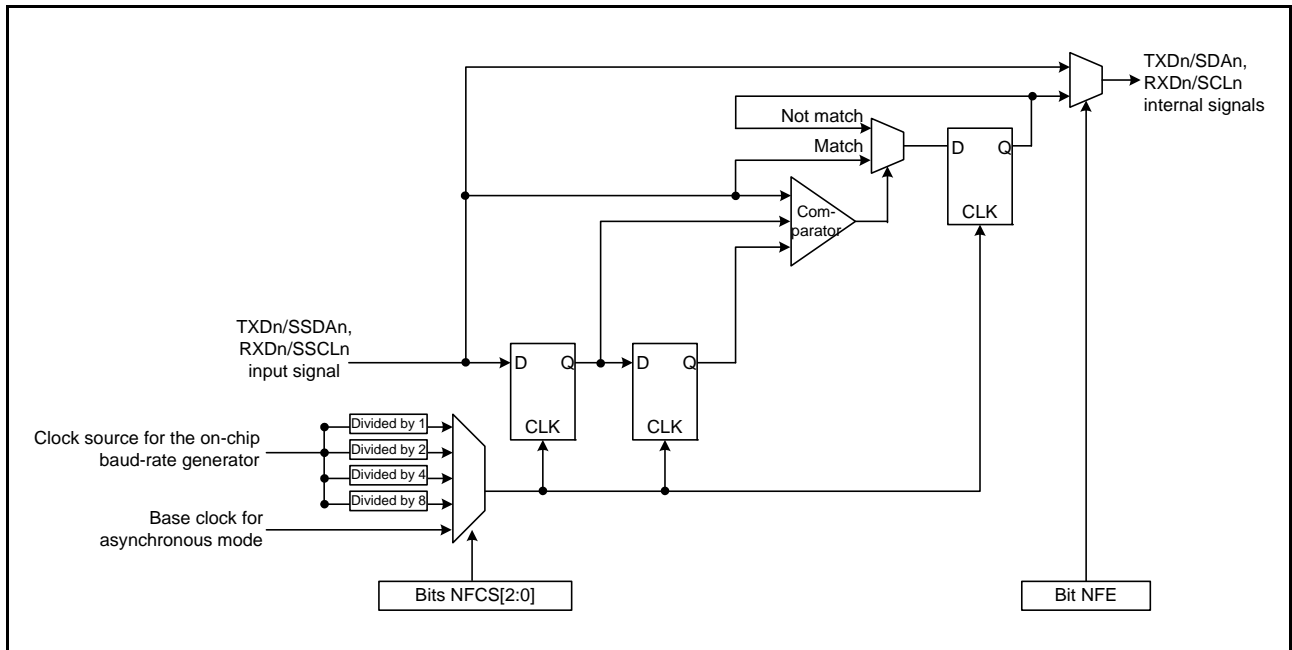


Figure 29.68 Block Diagram of Digital Noise Filter Circuit

29.11 Interrupt Sources

29.11.1 Buffer Operations for TXI and RXI Interrupts

If the conditions for a TXI and RXI interrupt are satisfied while the interrupt status flag in the interrupt controller is 1, the interrupt controller does not output the interrupt request but retains it internally (with a capacity for retention of one request per source).

When the value of the interrupt status flag in the interrupt controller becomes 0, the interrupt request retained within the interrupt controller is output. The internally retained interrupt request is automatically discarded once the actual interrupt is output. Clearing of the corresponding interrupt enable bit (the TIE or RIE bit in the SCR) can also be used to discard an internally retained interrupt request.

29.11.2 Interrupts in Serial Communications Interface and Simple SPI Mode

Table 29.26 lists interrupt sources in serial communication interface mode and simple SPI mode. A different interrupt vector is assigned to each interrupt source, and individual interrupt sources can be enabled or disabled with the enable bits in SCR.

If the SCR.TIE bit is 1, a TXI interrupt request is generated when data for transmission are transferred from the TDR to the TSR. A TXI interrupt request can also be generated by setting the SCR.TE bit to 1 after setting the SCR.TIE bit to 1 or by using a single instruction to set the SCR.TE and SCR.TIE bit to 1 at the same time. A TXI interrupt request can activate the DTC or DMAC to handle data transfer.

A TXI interrupt request is not generated by setting the SCR.TE bit to 1 while the setting of the SCR.TIE bit is 0 or by setting the SCR.TIE bit to 1 while the setting of the SCR.TE bit is 1.*1

When new data are not written by the time of transmission of the last bit of the current data for transmission and the setting of the SCR.TEIE bit is 1, the SSR.TEND flag becomes 1 and a TEI interrupt request is generated. Furthermore, when the setting of the SCR.TE bit is 1, the SSR.TEND flag retains the value 1 until further data for transmission are written to the TDR, and setting the SCR.TEIE bit to 1 leads to the generation of a TEI interrupt request.

Writing data to the TDR leads to clearing of the SSR.TEND flag and, after a certain time, discarding of the TEI interrupt request.

If the SCR.RIE bit is 1, an RXI interrupt request is generated when received data are stored in the RDR. An RXI interrupt request can activate the DTC or DMAC to handle data transfer.

Setting of any from among the ORER, FER, and PER flags in the SSR to 1 while the SCR.RIE bit is 1 leads to the generation of an ERI interrupt request. An RXI interrupt request is not generated at this time. Clearing all three flags (ORER, FER, and PER) leads to discarding of the ERI interrupt request.

Note 1. To temporarily prohibit TXI interrupts at the time of transmission of the last of the data and so on when you wish a new round of transmission to start after handling of the transmission-completed interrupt, control prohibiting and permitting of the interrupt by using the interrupt request enable bit in the interrupt controller rather than using the SCR.TIE bit. This can prevent the suppression of TXI interrupt requests in the transfer of new data.

Table 29.26 Interrupt Sources

Name	Interrupt Source	Interrupt Flag	DTC Activation	DMAC Activation	Priority
ERI	Receive error	ORER, FER, or PER	Not possible	Not possible	High
RXI	Receive data full	—	Possible	Possible	↑
TXI	Transmit data empty	—	Possible	Possible	
TEI	Transmit end	TEND	Not possible	Not possible	Low

29.11.3 Interrupts in Smart Card Interface Mode

Table 29.27 lists interrupt sources in smart card interface mode. A transmit end interrupt (TEI) request cannot be used in this mode.

Table 29.27 SCI Interrupt Sources

Name	Interrupt Source	Interrupt Flag	DTC Activation	DMAC Activation	Priority
ERI	Receive error or error signal detection	ORER, PER, or ERS	Not possible	Not possible	High
RXI	Receive data full	—	Possible	Possible	↑
TXI	Transmit data empty	TEND	Possible	Possible	Low

Data transmission/reception using the DTC or DMAC is also possible in smart card interface mode, similar to in the normal SCI mode. In transmission, when the TEND flag in SSR is set to 1, a TXI interrupt request is generated. This TXI interrupt request activates the DTC or DMAC allowing transfer of transmit data if the TXI request is specified beforehand as a source of DTC or DMAC activation. The TEND flag is automatically cleared to 0 when the DTC or DMAC transfers the data.

If an error occurs, the SCI automatically re-transmits the same data. During the retransmission, the TEND flag is kept to 0 and the DTC or DMAC is not activated. Therefore, the SCI and DTC or DMAC automatically transmit the specified number of bytes, including retransmission in the case of error occurrence. However, the ERS flag in SSR is not automatically cleared to 0 at error occurrence. Therefore, the ERS flag must be cleared by previously setting the RIE bit in SCR to 1 to enable an ERI interrupt request to be generated at error occurrence.

When transmitting/receiving data using the DTC or DMAC, be sure to make settings to enable the DTC or DMAC before making SCI settings. For DTC or DMAC settings, see section 16, DMA Controller (DMACA) and section 17, Data Transfer Controller (DTCa).

In reception, an RXI interrupt request is generated when receive data is set to RDR. This RXI interrupt request activates the DTC or DMAC allowing transfer of receive data if the RXI request is specified beforehand as a source of DTC or DMAC activation. If an error occurs, the error flag is set. Therefore, the DTC or DMAC is not activated and an ERI interrupt request is issued to the CPU instead; the error flag must be cleared.

29.11.4 Interrupts in Simple I²C Mode

The interrupt sources in simple I²C mode are listed in Table 29.28. The STI interrupt is allocated to the transmit end interrupt (TEI) request. The receive error interrupt (ERI) request cannot be used.

The DTC and DMAC can also be used to handle transfer in simple I²C mode.

When the value of the IICINTM bit in SIMR2 is 1, an RXI request will be generated on the falling edge of the SSCL signal for the eighth bit. If the RXI has been set up as an activating request for the DTC or DMAC beforehand, the RXI request will activate the DTC or DMAC to handle transfer of the received data. Furthermore, a TXI request is generated on the falling edge of the SSCLn signal for the ninth bit (acknowledge bit). If the TXI has been set up as an activating request for the DTC or DMAC beforehand, the TXI request will activate the DTC or DMAC to handle transfer of the data for transmission.

When the value of the IICINTM bit in SIMR2 is 0, an RXI request (ACK detection) if the input on the SSDAn pin is at the low level or a TXI request (NACK detection) if the input on the SSDAn pin is at the high level will be generated on the rising edge of the SSCLn signal for the ninth bit (acknowledge bit). If the RXI has been set up as an activating request for the DTC or DMAC beforehand, the RXI request will activate the DTC or DMAC to handle transfer of the received data.

Also, if the DTC or DMAC is used for data transfer in reception or transmission, be sure to set up and enable the DTC or DMAC before setting up the SCI.

When the IICSTAREQ, IICSTAREQ, and IICSTPREQ bits in SIMR3 are used to generate a start condition, restart condition, or stop condition, the STI request is issued when generation is complete.

Table 29.28 SCI Interrupt Sources

Name	Interrupt Source	Interrupt Flag	DTC Activation	DMAC Activation	Priority
RXI	Reception, ACK detection	—	Possible	Possible	High
TXI	Transmission, NACK detection	—	Possible* ¹	Possible* ¹	↑
STI	Completion of generating a start, restart, or stop condition	IICSTIF	Not possible	Not possible	Low

Note 1. Activation of the DTC or DMAC is only possible when the SIMR2.IICINTM bit is 1 (selecting reception and interrupts).

29.11.5 Interrupts from the Extended Serial Mode Control Section

The extended serial mode control section has a total of six types of interrupt request for generating the SCIX0 interrupt (Break Field low width detected), SCIX1 interrupt (Control Field 0 match, Control Field 1 match, priority interrupt bit detected), SCIX2 interrupt (bus collision detected), and SCIX3 interrupt (valid edge detected). When any of the interrupt factors is generated, the corresponding status flag is set to 1. Details of all of the interrupt requests are listed in Table 29.29.

Table 29.29 Interrupt Sources of the Extended Serial Mode Control Section

Interrupt Request	Status Flag	Interrupt Factors
SCIX0 interrupt (Break Field low width detected)	BFDF	<ul style="list-style-type: none"> • Detection of a Break Field low width longer than the interval corresponding to the timer setting • Completion of the output of a Break Field low width over the interval corresponding to the timer setting • Underflow of the timer
SCIX1 interrupt (Control Field 0 match)	CF0MF	The data received in Control Field 0 matching the value set in CF0DR
SCIX1 interrupt (Control Field 1 match)	CF1MF	The data received in Control Field 1 matching the value set in PCF1DR or SCF1DR
SCIX1 interrupt (priority interrupt bit detected)	PIBDF	The value of the bit specified as the priority interrupt bit matching the value set in PCF1DR
SCIX2 interrupt (bus collision detected)	BCDF	The output level on the TXDX12 pin and the input level on the RXDX12 pin not matching on three consecutive cycles of the bus-collision detection clock
SCIX3 interrupt (valid edge detected)	AEDF	Detection of a valid edge during bit-rate measurement

29.12 Event Linking

By employing interrupt request signals as event signals, SCI5 is able to provide linked operation through the event link controller (ELC) for modules selected in advance.

Event signals can be output regardless of the values of the corresponding interrupt request enable bits.

(1) Error (reception error, error-signal detected) event output

- Indicates abnormal termination due to a parity error during reception in asynchronous mode.
- Indicates abnormal termination due to a framing error during reception in asynchronous mode.
- Indicates abnormal termination due to an overrun error during reception.
- Indicates detection of the error signal during transmission in smart card interface mode.

(2) Received-data full event output

- Indicates that received data have been set in the receive data register (RDR).
- Indicates that ACK has been detected if the SIMR2.IICINTM bit is 0 in simple I²C mode.
- Indicates that the eighth-bit SSCL5 falling edge has been detected if the SIMR2.IICINTM bit is 1 in simple I²C mode.

When the SIMR2.IICINTM bit is 1 during master transmission in simple I²C mode, set the event link controller (ELC) so that received-data full events are not used.

(3) Transmission-data empty event output

- Indicates that the SCR.TE bit has been changed from 0 to 1.
- Indicates that data for transmission have been transferred from the transmit data register (TDR) to the transmit shift register (TSR).
- Indicates that transmission has been completed in smart card interface mode.
- Indicates that NACK has been detected if the SIMR2.IICINTM bit is 0 in simple I²C mode.
- Indicates that the ninth-bit SSCL5 falling edge has been detected if the SIMR2.IICINTM bit is 1 in simple I²C mode.

(4) Transmission-completed event output

- Indicates the completion of transmission.
- Indicates that the starting condition, resumption condition, or termination condition has been generated in simple I²C mode.

29.13 Usage Notes

29.13.1 Setting the Module Stop Function

Module stop control registers B and C (MSTPCRB and MSTPCRC) are used to stop and start SCI operations. With the value after a reset, SCI operations are stopped. The registers of the modules only become accessible after release from the module-stop state. For details, refer to section 11, Low Power Consumption.

29.13.2 Break Detection and Processing

When a framing error is detected, a break can be detected by reading the RXDn pin value directly. In a break, the input from the RXDn pin becomes all 0s, and so the FER flag in SSR is set to 1 (framing error), and the PER flag in SSR may also be set to 1 (parity error). The SCI continues the receive operation even after a break is received. Therefore, note that even if the FER flag is cleared to 0 (no framing error), it will be set to 1 again.

29.13.3 The Mark State and Production of Breaks

When the SCR.TE bit is 0 (prohibiting serial transmission), setting the I/O port function makes selection of the level and direction (input or output) of the TXDn pin possible. If this is done, the TXDn pin can be placed in the mark state to send a break at the time of data transmission. Until the SCR.TE bit is set to 1 (permitting serial transmission), the I/O port function is used to set the TXDn pin to output 1 and set the pin mode to a general I/O port pin, and thus place the transfer circuit in the mark state (state of having the value 1). On the other hand, to output a break at the time of data transmission, set the TXDn pin to output 0 and make the pin mode settings for a general I/O port pin. When the SCR.TE bit is set to 0, the transmission section is initialized regardless of the current state of transmission.

29.13.4 Receive Error Flags and Transmit Operations (Clock Synchronous Mode Only)

Transmission cannot be started when a receive error flag (ORER) in SSR is set to 1, even if data is written to TDR. Be sure to clear the receive error flags to 0 before starting transmission. Note also that the receive error flags cannot be cleared to 0 even if the RE bit in SCR is cleared to 0 (serial reception disabled).

29.13.5 Writing Data to TDR

Data can always be written to TDR. However, if new data is written to TDR when transmit data is remaining in TDR, the previous data in TDR is lost because it has not been transferred to TSR yet. Be sure to write transmit data to TDR in the TXI interrupt request processing routine.

29.13.6 Restrictions on Clock Synchronous Transmission

When the external clock source is used as a synchronization clock, update TDR by the DMAC or DTC and wait for at least five PCLK clock cycles before allowing the transmit clock to be input. If the transmit clock is input within four clock cycles after TDR is updated, the SCI may malfunction.

29.13.7 Restrictions on Using DTC or DMAC

When using the DMAC or DTC to read RDR, be sure to set the receive end interrupt (RXI) as the activation source of the relevant SCI.

29.13.8 Points to Note on Starting Transfer

At the point where transfer starts when the interrupt status flag in the interrupt controller is 1, follow the procedure below to clear interrupt requests before permitting operations (by setting the SCR.TE or SCR.RE bit to 1).

- Confirm that transfer has stopped (the setting of the SCR.TE or SCR.RE bits is 0).
- Set the corresponding interrupt enable bit (SCR.TIE or SCR.RIE) to 0.
- Read the corresponding interrupt enable bit (SCR.TIE or SCR.RIE bit) to check that it has actually become 0.
- Set the interrupt status flag in the interrupt controller to 0.

29.13.9 SCI Operations during Low Power Consumption State

(1) Transmission

When making settings for the module-stopped state or in transitions to software standby, stop operations (by setting the TIE, TE, and TEIE bits in the SCR to 0) after switching the TXDn pin to the general I/O port pin function. Clearing the TE bit to 0 resets the TSR and the TEND bit in the SSR. Depending on the port settings, output pins may output the high level after release from the module-stopped state or software standby. When transitions to these states are made during transmission, the data being transmitted become indeterminate.

To transmit data in the same transmission mode after cancellation of the low power consumption state, set the TE bit to 1, read SSR, and write data to TDR sequentially to start data transmission. To transmit data with a different transmission mode, initialize the SCI first.

Figure 29.69 shows a sample flowchart for transition to software standby mode during transmission. Figure 29.70 and Figure 29.71 show the port pin states during transition to software standby mode.

Before specifying the module stop state or making a transition to software standby mode from the transmission mode using DTC transfer, stop the transmit operations (TE = 0). To start transmission after cancellation using the DTC, set the TE bit to 1. The TXI interrupt flag is set to 1 and transmission starts using the DTC.

(2) Reception

Before specifying the module stop state or making a transition to software standby mode, stop the receive operations (RE = 0 in SCR). If transition is made during data reception, the data being received will be invalid.

To receive data in the same reception mode after cancellation of the low power consumption state, set the RE bit to 1, and then start reception. To receive data in a different reception mode, initialize the SCI first.

Figure 29.72 shows a sample flowchart for transition to software standby mode during reception.

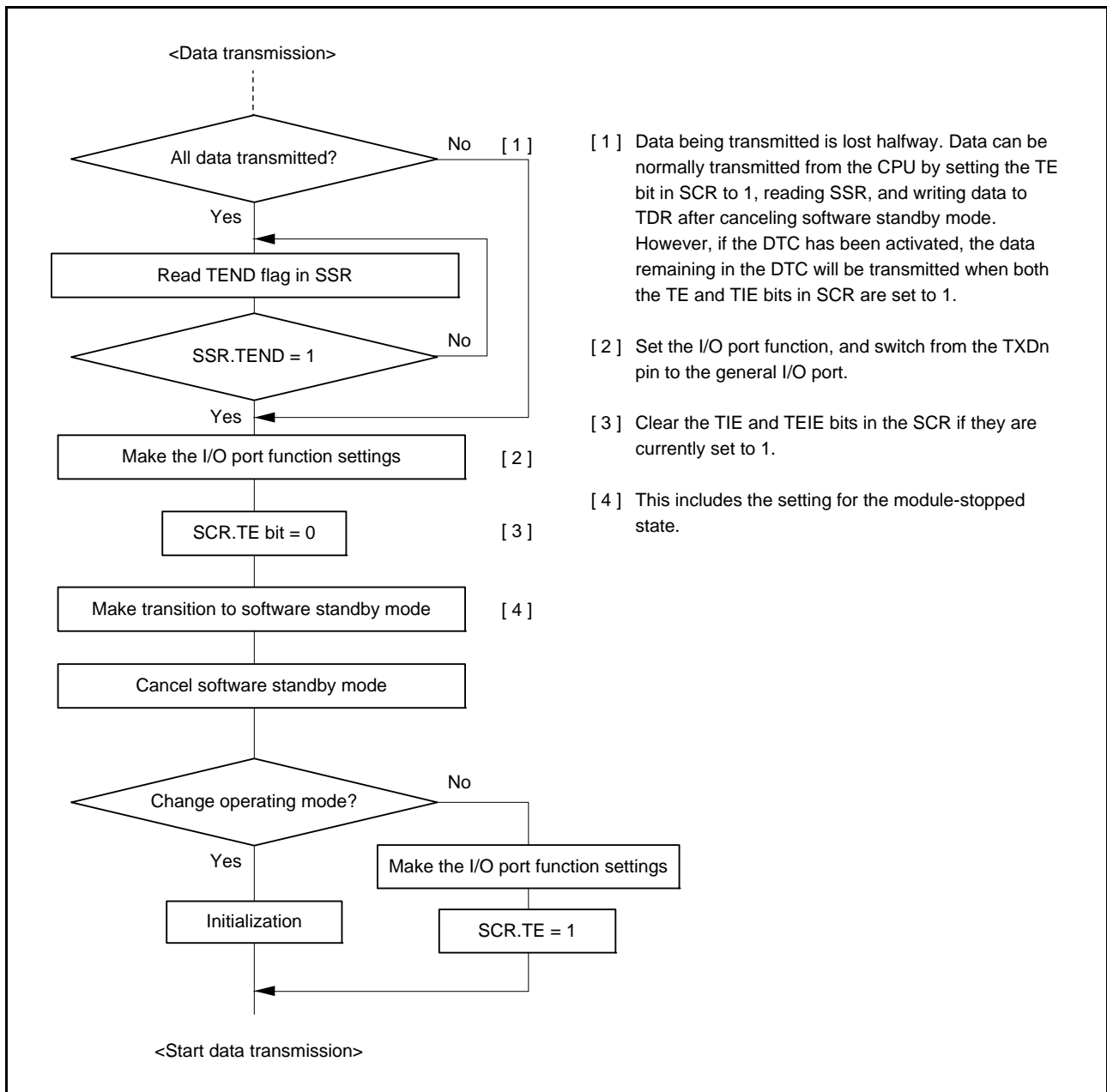


Figure 29.69 Example of Flowchart for Transition to Software Standby Mode during Transmission

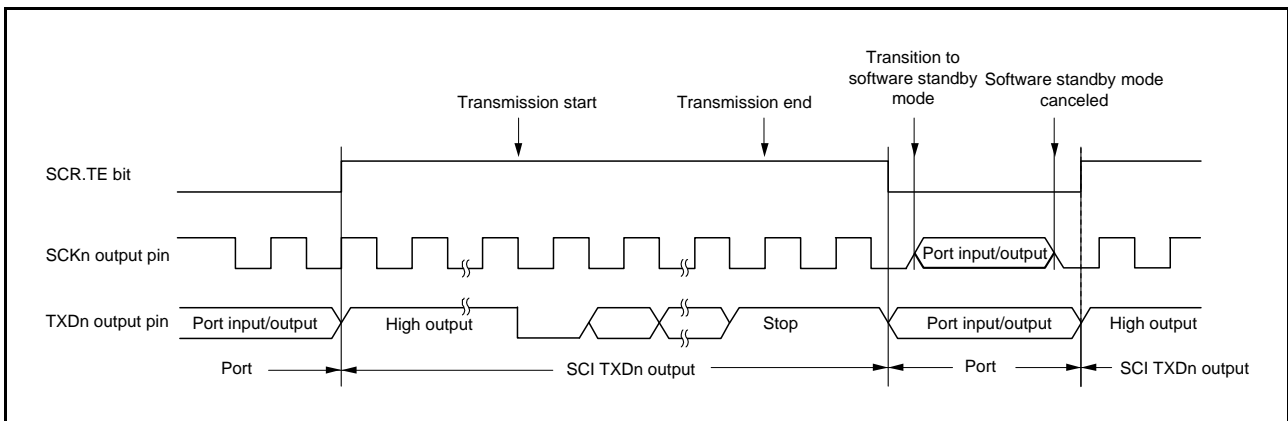
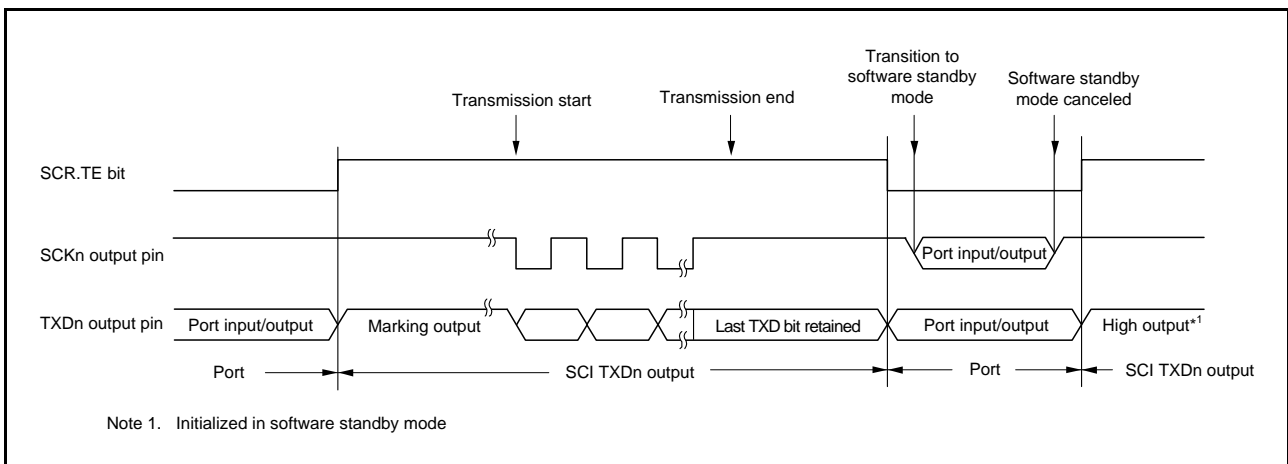


Figure 29.70 Port Pin States during Transition to Software Standby Mode (Internal Clock, Asynchronous Transmission)



Note 1. Initialized in software standby mode

Figure 29.71 Port Pin States during Transition to Software Standby Mode (Internal Clock, Clock Synchronous Transmission)

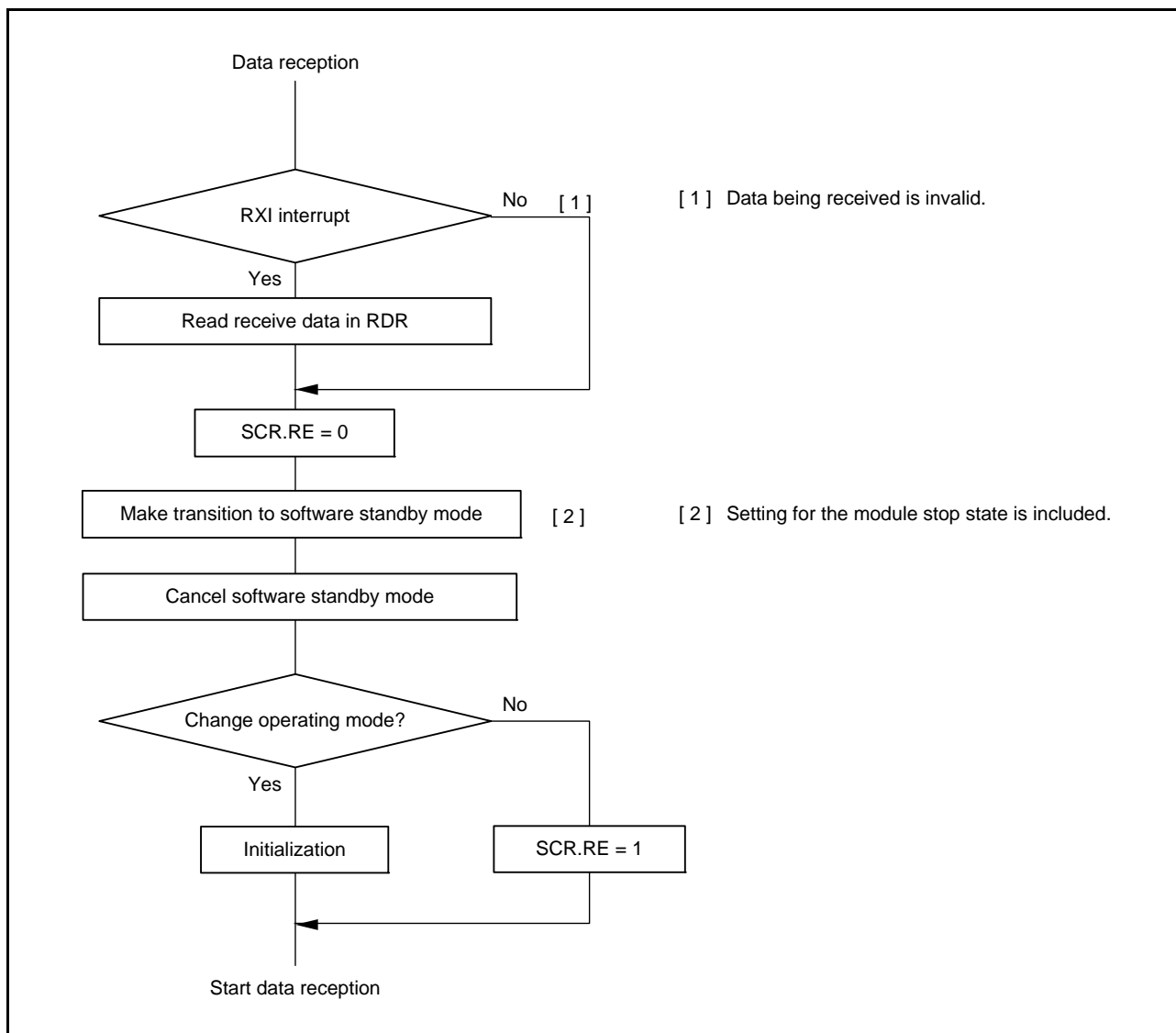


Figure 29.72 Example of Flowchart for Transition to Software Standby Mode during Reception

29.13.10 External Clock Input in Clock Synchronous Mode

In clock synchronous mode, the external clock SCKn must be input as follows:

High-pulse period, low-pulse period = 2 PCLK cycles or more, period = 6 PCLK cycles or more

29.13.11 Limitation on Using Simple SPI Bus Mode

(1) Master Mode

- Use a resistor to pull up or pull down the clock line matching the initial settings for the transfer clock set by the CKPH and CKPOL bits in SPMR.
- In the case of the setting for clock delay (the SPMR.CKPH bit is 1), the received data full interrupt (RXI interrupt) is generated before the final clock edge on the SCKn pin as indicated in Figure 29.73. If the TE and RE bits in the SCR become 0 at this time before the final edge of the clock signal on the SCKn pin, the SCKn pin is placed in the high impedance state, so the width of the last clock pulse of the transfer clock is shortened. Furthermore, an RXI interrupt may lead to the input signal on the SSn# pin of a connected slave going to the high level before the final edge of the clock signal on the SCKn pin, leading to incorrect operation of the slave.
- When operation is in multi-master mode, take care because the SCKn pin output becomes high impedance while the input on the SS# pin is at the low level if a mode-fault error occurs as the current character is being transferred, stopping supply of the clock signal to the connected slave. Remake the settings for the connected slave to avoid misaligned bits when transfer is restarted.

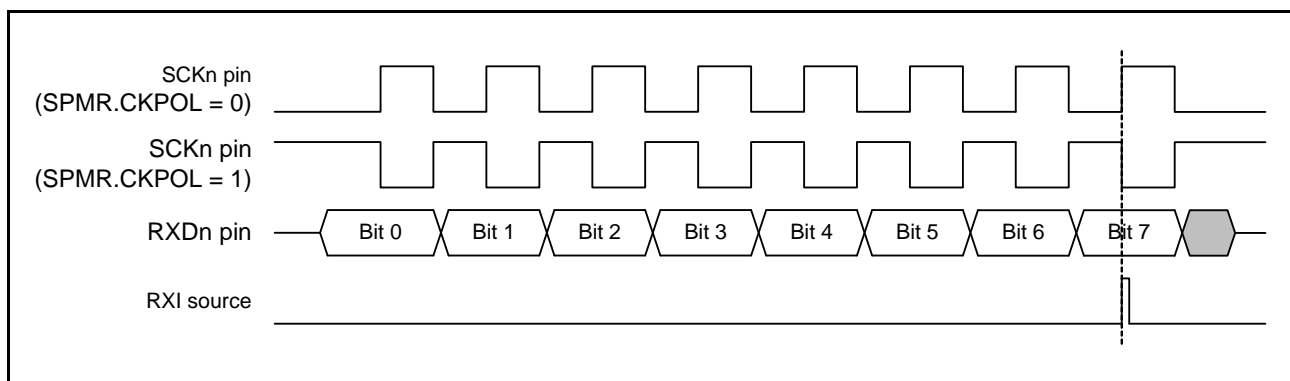


Figure 29.73 Timing of the RXI Interrupt in Simple SPI Mode (with Clock Delay)

(2) Slave Mode

- When data for transmission are written to the TDR, secure at least five cycles of the PCLK from input of the low level on the SSn# pin to input of the external clock.
- Provide an external clock signal to the master the same as the data length for transfer.
- Control the input on the SSn# pin before the start and after the end of data transfer.
- When the level being input on the SSn# pin is to be changed from low to high while the current character is being transferred, set the TE and RE bits in the SCR to 0 and, after remaking the settings, restart transfer of the first byte.

29.13.12 Limitation 1 on Usage of the Extended Serial Mode Control Section

When the SHARPS bit in PCR is set to 1, output on the TXDX12/RXDX12 pin is only possible when the following conditions apply.

- The timer of the SCId module is in Break Field low width output mode and the value of the TCST bit in TCR is 1 (when the TCST bit is set to 1, the high level continues to be output for up to one cycle of the clock source for counting by the timer counter before output of the low level)
- The value of the TE bit in SCI12.SCR is 1.

29.13.13 Limitation 2 on Usage of the Extended Serial Mode Control Section

An SCIc interrupt request is generated even if the extended serial mode is enabled. However, the SCIc interrupt should not be used during reception of a start frame because SCId uses an SCIc interrupt request.

The two ways of dealing with this are described below. When a reception error is detected, clear the error flag of the SCIc and initialize the control section of the SCId.

- (1) Set the SCR.RIE bit of the SCI (SCIc) to 0 to disable the output of interrupt requests. Check the error flags in the SSR register for SCIc on completion of the reception of a start frame, because an ERI interrupt is not generated if a reception error occurs. After reception of the start frame is completed, set the SCR.RIE bit of the SCIc to 1 by the time the first byte of the information frame is received.
- (2) Set the SCR.RIE bit of the SCIc to 1 to disable RXI interrupts and enable ERI interrupts for ICU. Clear the IRn.IR flag to enable the acceptance of RXI interrupts by ICU by the time the first byte of the information frame is received after the completion of start frame reception.

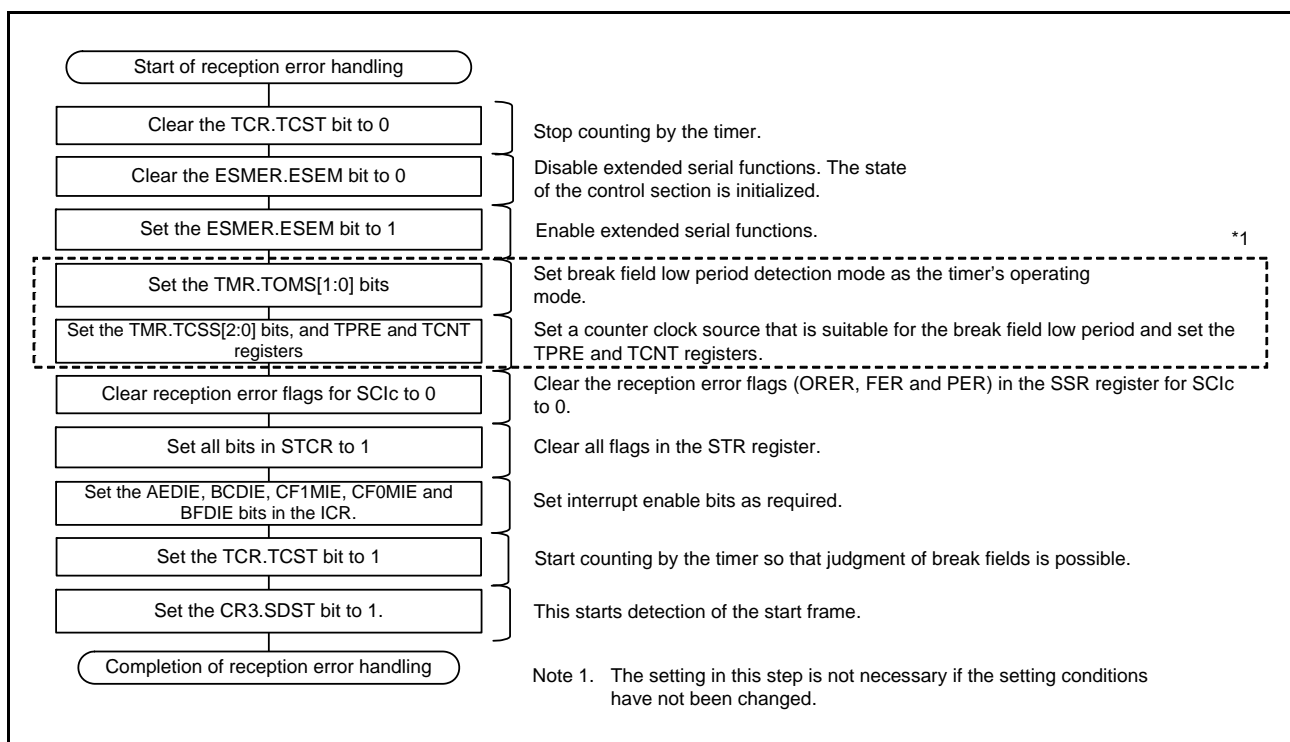


Figure 29.74 Example of Flowchart for Reception Error Handling (During Reception of the Start Frame)

30. I²C Bus Interface (RIIC)

The RX210 Group has one I²C bus interface (RIIC module).

The RIIC module conforms with and provides a subset of the NXP I²C bus (Inter-IC-Bus) interface functions.

30.1 Overview

Table 30.1 lists the specifications of the RIIC, Figure 30.1 shows a block diagram of the RIIC, and Figure 30.2 shows an example of I/O pin connections to external circuits (I²C bus configuration example). Table 30.2 lists the I/O pins of the RIIC.

Table 30.1 RIIC Specifications (1/2)

Item	Description
Communications format	<ul style="list-style-type: none"> I²C bus format or SMBus format Master mode or slave mode selectable Automatic securing of the various set-up times, hold times, and bus-free times for the transfer rate
Transfer rate	Up to 400 kbps
SCL clock	For master operation, the duty cycle of the SCL clock is selectable in the range from 4% to 96%.
Issuing and detecting conditions	Start, restart, and stop conditions are automatically generated. Start conditions (including restart conditions) and stop conditions are detectable.
Slave address	<ul style="list-style-type: none"> Up to three slave-address settings can be made. Seven- and ten-bit address formats are supported (along with the use of both at once). General call addresses, device ID addresses, and SMBus host addresses are detectable.
Acknowledgement	<ul style="list-style-type: none"> For transmission, the acknowledge bit is automatically loaded. Transfer of the next data for transmission can be automatically suspended on detection of a not-acknowledge bit. For reception, the acknowledge bit is automatically transmitted. If a wait between the eighth and ninth clock cycles has been selected, software control of the value in the acknowledge field in response to the received value is possible.
Wait function	<ul style="list-style-type: none"> In reception, the following periods of waiting can be obtained by holding the clock signal (SCL) at the low level: <ul style="list-style-type: none"> Waiting between the eighth and ninth clock cycles Waiting between the ninth clock cycle and the first clock cycle of the next transfer (WAIT function)
SDA output delay function	Timing of the output of transmitted data, including the acknowledge bit, can be delayed.
Arbitration	<ul style="list-style-type: none"> For multi-master operation <ul style="list-style-type: none"> Operation to synchronize the SCL (clock) signal in cases of conflict with the SCL signal from another master is possible. When issuing the start condition would create conflict on the bus, loss of arbitration is detected by testing for non-matching between the internal signal for the SDA line and the level on the SDA line. In master operation, loss of arbitration is detected by testing for non-matching between the signal on the SDA line and the internal signal for the SDA line. Loss of arbitration due to detection of the start condition while the bus is busy is detectable (to prevent the issuing of double start conditions). Loss of arbitration in transfer of a not-acknowledge bit due to the internal signal for the SDA line and the level on the SDA line not matching is detectable. Loss of arbitration due to non-matching of internal and line levels for data is detectable in slave transmission.
Timeout function	The internal time-out function is capable of detecting long-interval stop of the SCL (clock signal).
Noise removal	The interface incorporates digital noise filters for both the SCL and SDA signals, and the width for noise cancellation by the filters is adjustable by software.
Interrupt sources	<ul style="list-style-type: none"> Four sources: <ul style="list-style-type: none"> Error in transfer or occurrence of events (detection of AL, NACK, time-out, a start condition including a restart condition, or a stop condition) Receive-data-full (including matching with a slave address) Transmit-data-empty (including matching with a slave address) Transmission complete

Table 30.1 RIIC Specifications (2/2)

Item	Description
Low power consumption function	Module stop state can be set.
Event link function	<ul style="list-style-type: none"> Four sources: <ul style="list-style-type: none"> Error in transfer or occurrence of events (detection of AL, NACK, time-out, a start condition including a restart condition, or a stop condition) Receive-data-full (including matching with a slave address) Transmit-data-empty (including matching with a slave address) Transmission complete

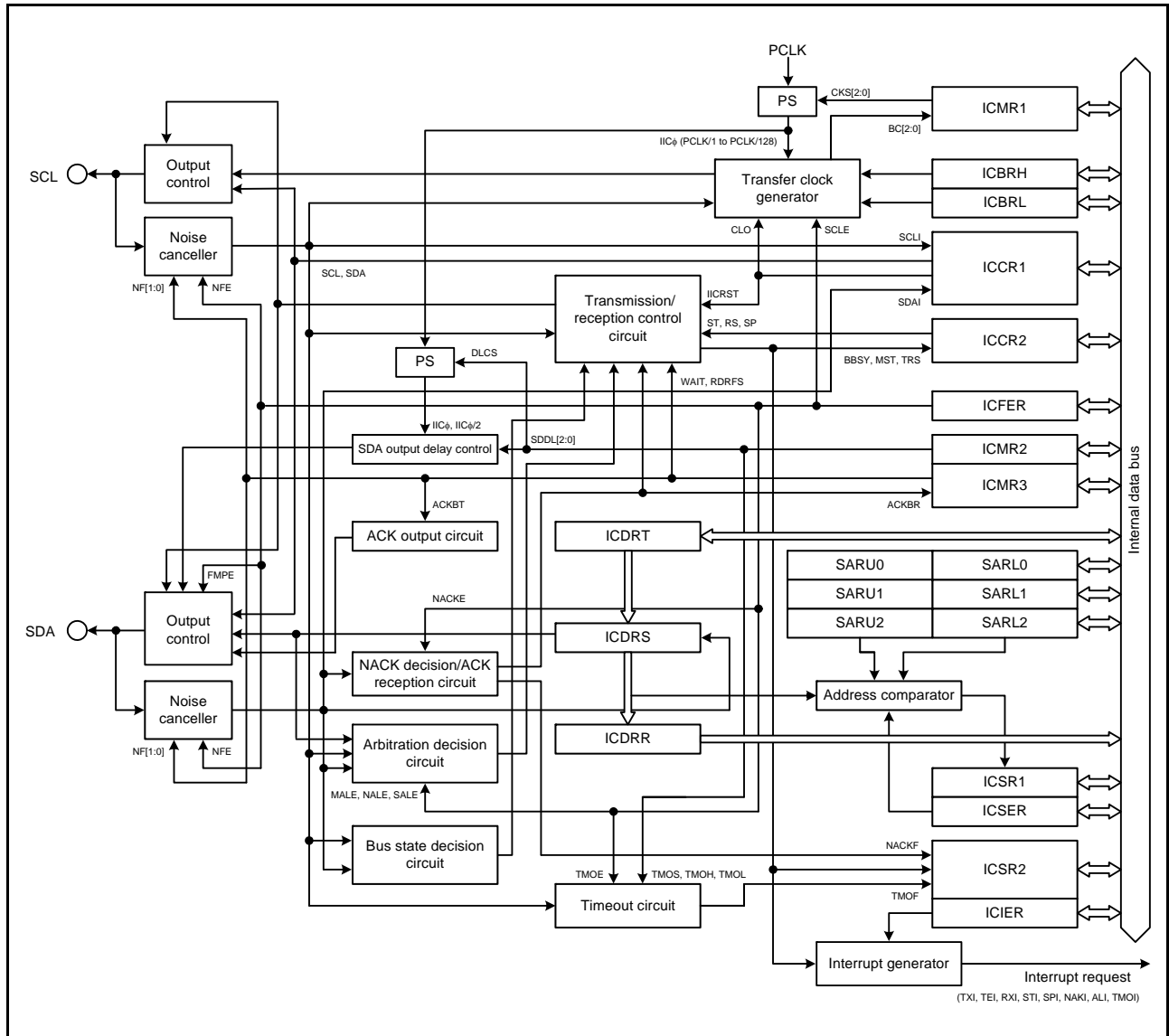


Figure 30.1 Block Diagram of RIIC

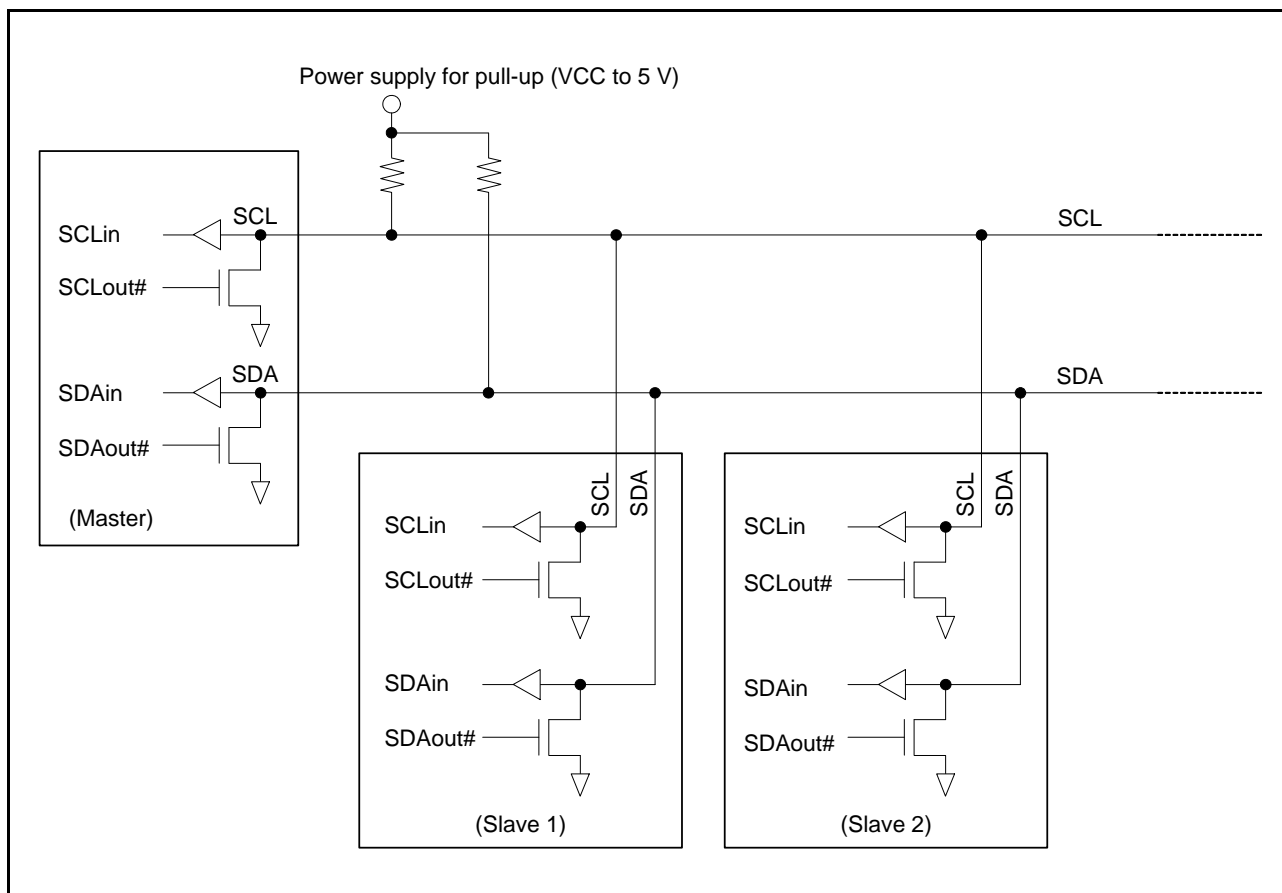


Figure 30.2 Connections to the External Circuit by the I/O Pins (I²C Bus Configuration Example)

The input level of the signals for RIIC is CMOS when I²C bus is selected (the ICMR3.SMBS bit = 0), or TTL when SMBus is selected (the ICMR3.SMBS bit = 1).

Table 30.2 Pin Configuration

Channel	Pin Name	I/O	Function
RIIC0	SCL	I/O	RIIC0 serial clock I/O pin
	SDA	I/O	RIIC0 serial data I/O pin

30.2 Register Descriptions

Table 30.3 Register Allocation for 16-Bit Access

Address	Upper 8 Bits	Lower 8 Bits
0008 830Ah*1	RIIC0.TMOCNTU	RIIC0.TMOCNTL

Note 1. Same address with ones of the slave address registers, SARL0, SARU0. Care should be taken.

30.2.1 I²C Bus Control Register 1 (ICCR1)

Address(es): 0008 8300h

b7	b6	b5	b4	b3	b2	b1	b0
ICE	IICRST	CLO	SOWP	SCLO	SDAO	SCLI	SDAI

Value after reset: 0 0 0 1 1 1 1 1

Bit	Symbol	Bit Name	Description	R/W
b0	SDAI	SDA line Monitor	0: SDA line is low. 1: SDA line is high.	R
b1	SCLI	SCL line Monitor	0: SCL line is low. 1: SCL line is high.	R
b2	SDAO	SDA Output Control/Monitor	<ul style="list-style-type: none"> Read: <ul style="list-style-type: none"> 0: The RIIC has driven the SDA pin low. 1: The RIIC has released the SDA pin. Write: <ul style="list-style-type: none"> 0: The RIIC drives the SDA pin low. 1: The RIIC releases the SDA pin. 	R/W
b3	SCLO	SCL Output Control/Monitor	<ul style="list-style-type: none"> Read: <ul style="list-style-type: none"> 0: The RIIC has driven the SCL pin low. 1: The RIIC has released the SCL pin. Write: <ul style="list-style-type: none"> 0: The RIIC drives the SCL pin low. 1: The RIIC releases the SCL pin. 	R/W
b4	SOWP	SCLO/SDAO Write Protect	0: Bits SCLO and SDAO can be written. 1: Bits SCLO and SDAO are protected. (This bit is read as 1.)	R/W
b5	CLO	Extra SCL Clock Cycle Output	0: Does not output an extra SCL clock cycle (default). 1: Outputs an extra SCL clock cycle. (The CLO bit is cleared automatically after one clock cycle is output.)	R/W
b6	IICRST	I ² C Bus Interface Internal Reset	0: Clears the RIIC reset or internal reset. 1: Initiates the RIIC reset or internal reset. (Clears the bit counter and the SCL/SDA output latch)	R/W
b7	ICE	I ² C Bus Interface Enable	0: Disable (SCL and SDA pins in inactive state) 1: Enable (SCL and SDA pins in active state) <ul style="list-style-type: none"> Combined with the IICRST bit to select either RIIC or internal reset. 	R/W

SDAO Bit (SDA Output Control/Monitor) and SCLO Bit (SCL Output Control/Monitor)

These bits are used to directly control the SDA0 and SCL0 signals output from the RIIC.

When writing to these bits, also write 0 to the SOWP bit.

The result of setting these bits is input to the RIIC via the input buffer. When slave mode is selected, a START condition may be detected and the bus may be released depending on the bit settings.

Do not rewrite these bits during a START condition, STOP condition, repeated START condition, or during transmission

or reception. Operation after rewriting under the above conditions is not guaranteed.
When reading these bits, the state of signals output from the RIIC can be read.

CLO Bit (Extra SCL Clock Cycle Output)

This bit is used to output an extra SCL clock cycle for debugging or error processing.
Normally, set the bit to 0. Setting the bit to 1 in a normal communication state causes a communication error.
For details on this function, see section 30.11.2, Extra SCL Clock Cycle Output Function.

IICRST Bit (I²C Bus Interface Internal Reset)

This bit is used to reset the internal states of the RIIC.

Setting this bit to 1 initiates an RIIC reset or internal reset.

Whether an RIIC reset or internal reset is initiated is determined according to the combination with the ICE bit. Table 30.4 lists the resets of the RIIC.

The RIIC reset resets all registers including the BBSY flag in ICCR2 and internal states of the RIIC, and the internal reset resets the bit counter (BC[2:0] bits in ICMR1), the I²C bus shift register (ICDRS), and the I²C bus status registers (ICSR1 and ICSR2) as well as the internal states of the RIIC. For the reset conditions for each register, see section 30.14, Reset States.

An internal reset initiated with the IICRST bit set to 1 during operation (with the ICE bit set to 1) resets the internal states of the RIIC without initializing the port settings and the control and setting registers of the RIIC when the bus or RIIC hangs up due to a communication error.

If the RIIC hangs up in a low level output state, resetting the internal states cancels the low level output state and releases the bus with the SCL pin and SDA pin at a high impedance.

Note: • If an internal reset is initiated using the IICRST bit for a bus hang-up occurred during communication with the master device in slave mode, the states may become different between the slave device and the master device (due to the difference in the bit counter information). For this reason, do not initiate an internal reset in slave mode, but initiate restoration processing from the master device. If an internal reset is necessary because the RIIC hangs up with the SCL line in a low level output state in slave mode, initiate an internal reset and then issue a restart condition from the master device or resume communication from the start condition issuance after issuing a stop condition. If communication is restarted by initiating a reset solely in the slave device without issuing a start condition or restart condition from the master device, synchronization will be lost because the master and slave devices operate asynchronously.

Table 30.4 RIIC Resets

IICRST	ICE	State	Specifications
1	0	RIIC reset	Resets all registers and internal states of the RIIC.
	1	Internal reset	Reset the BC[2:0] bits in ICMR1, and the ICSR1, ICSR2, ICDRS registers and the internal states of the RIIC.

ICE Bit (I²C Bus Interface Enable)

This bit selects the active or inactive state of the SCL and SDA pins. It can also be combined with the IICRST bit to initiate two types of resets. See Table 30.4, RIIC Resets, for the types of resets.

Set the ICE bit to 1 when using the RIIC. The SCL and SDA pins are placed in the active state when the ICE bit is set to 1.

Set the ICE bit to 0 when the RIIC is not to be used. The SCL and SDA pins are placed in the inactive state when the ICE bit is set to 0. Do not assign the SCL or SDA pin to the RIIC when setting up the multi-function pin controller (MPC).

Note that the slave address comparison operation is carried out if the pins are assigned to the RIIC.

30.2.2 I²C Bus Control Register 2 (ICCR2)

Address(es): 0008 8301h

b7	b6	b5	b4	b3	b2	b1	b0
BBSY	MST	TRS	—	SP	RS	ST	—

Value after reset: 0 0 0 0 0 0 0 0

Bit	Symbol	Bit Name	Description	R/W
b0	—	Reserved	This bit is read as 0. The write value should be 0.	R/W
b1	ST	Start Condition Issuance Request	0: Does not request to issue a start condition. 1: Requests to issue a start condition.	R/W
b2	RS	Restart Condition Issuance Request	0: Does not request to issue a restart condition. 1: Requests to issue a restart condition.	R/W
b3	SP	Stop Condition Issuance Request	0: Does not request to issue a stop condition. 1: Requests to issue a stop condition.	R/W
b4	—	Reserved	This bit is read as 0. The write value should be 0.	R/W
b5	TRS	Transmit/Receive Mode	0: Receive mode 1: Transmit mode	R/W*1
b6	MST	Master/Slave Mode	0: Slave mode 1: Master mode	R/W*1
b7	BBSY	Bus Busy Detection Flag	0: The I ² C bus is released (bus free state). 1: The I ² C bus is occupied (bus busy state).	R

Note 1. When the MTWP bit in ICMR1 is set to 1, the MST and TRS bits can be written to.

ST Bit (Start Condition Issuance Request)

This bit is used to request transition to master mode and issuance of a start condition.

When this bit is set to 1 to request to issue a start condition, a start condition is issued when the BBSY flag is set to 0 (bus free).

For details on the start condition issuance, see section 30.10, Start Condition/Restart Condition/Stop Condition Issuing Function.

[Setting condition]

- When 1 is written to the ST bit

[Clearing conditions]

- When 0 is written to the ST bit
- When a start condition has been issued
- When the AL (arbitration-lost) flag in ICSR2 is set to 1
- When 1 is written to the IICRST bit in ICCR1 to apply an RIIC reset or an internal reset

Note: • Set the ST bit to 1 (start condition issuance request) when the BBSY flag is set to 0 (bus free).

Note that arbitration may be lost if the ST bit is set to 1 (start condition issuance request) when the BBSY flag is set to 1 (bus busy).

RS Bit (Restart Condition Issuance Request)

This bit is used to request that a restart condition be issued in master mode.

When this bit is set to 1 to request to issue a restart condition, a restart condition is issued when the BBSY flag is set to 1 (bus busy) and the MST bit is set to 1 (master mode).

For details on the restart condition issuance, see section 30.10, Start Condition/Restart Condition/Stop Condition Issuing Function.

[Setting condition]

- When 1 is written to the RS bit with the BBSY flag in ICCR2 set to 1

[Clearing conditions]

- When 0 is written to the RS bit
- When a restart condition has been issued or a start condition is detected
- When the AL (arbitration-lost) flag in ICSR2 is set to 1
- When 1 is written to the IICRST bit in ICCR1 to apply an RIIC reset or an internal reset

Note: • Do not set the RS bit to 1 while issuing a stop condition.

Note: • If the RS bit is set to 1 (restart condition issuance request) in mode other than master mode, the restart condition is not issued in this mode but the restart condition issuance request bit remains set. If the operating mode changes to master mode with the bit not being cleared, the restart condition may be issued.

SP Bit (Stop Condition Issuance Request)

This bit is used to request that a stop condition be issued in master mode.

When this bit is set to 1 to request to issue a stop condition, a stop condition is issued when the BBSY flag is set to 1 (bus busy) and the MST bit is set to 1 (master mode).

For details on the stop condition issuance, see section 30.10, Start Condition/Restart Condition/Stop Condition Issuing Function.

[Setting condition]

- When 1 is written to the SP bit with both the BBSY flag and the MST bit in ICCR2 set to 1

[Clearing conditions]

- When 0 is written to the SP bit
- When a stop condition has been issued or a stop condition is detected
- When the AL (arbitration-lost) flag in ICSR2 is set to 1
- When a start condition and a restart condition are detected
- When 1 is written to the IICRST bit in ICCR1 to apply an RIIC reset or an internal reset

Note: • Writing to the SP bit is not possible while the setting of the BBSY flag is 0 (bus free).

Note: • Do not set the SP bit to 1 while a restart condition is being issued.

TRS Bit (Transmit/Receive Mode)

This bit indicates transmit or receive mode.

The RIIC is in receive mode when the TRS bit is set to 0 and is in transmit mode when the bit is set to 1. Combination of this bit and the MST bit indicates the operating mode of the RIIC.

The value of the TRS bit is automatically changed to the value for transmission mode or reception mode by detection or issuing of a start condition, setting or clearing of the R/W# bit, etc. Although writing to the TRS bit is possible when the MTWP bit in ICMR1 is set to 1, writing to this bit is not necessary during normal usage.

[Setting conditions]

- When a start condition is issued normally according to the start condition issuance request (when a start condition is detected with the ST bit set to 1)
- When the R/W# bit added to the slave address is set to 0 in master mode
- When the address received in slave mode matches the address enabled in ICSE, with the R/W# bit set to 1

- When 1 is written to the TRS bit with the MTWP bit in ICMR1 set to 1

[Clearing conditions]

- When a stop condition is detected
- The AL (arbitration-lost) flag in ICSR2 being set to 1
- In master mode, reception of a slave address to which an R/W# bit with the value 1 is appended
- In slave mode, a match between the received address and the address enabled in ICSEER when the value of the received R/W# bit is 0 (including cases where the received address is the general call address)
- In slave mode, a restart condition is detected (a start condition is detected with ICCR2.BBSY = 1 and ICCR2.MST = 0)
- When 0 is written to the TRS bit with the MTWP bit in ICMR1 set to 1
- When 1 is written to the IICRST bit in ICCR1 to apply an RIIC reset or an internal reset

MST Bit (Master/Slave Mode)

This bit indicates master or slave mode.

The RIIC is in slave mode when the MST bit is set to 0 and is in master mode when the bit is set to 1. Combination of this bit and the TRS bit indicates the operating mode of the RIIC.

The value of the MST bit is automatically changed to the value for master mode or slave mode by detection or issuing of a start condition, etc. Although writing to the MST bit is possible when the MTWP bit in ICMR1 is set to 1, writing to this bit is not necessary during normal usage.

[Setting conditions]

- When a start condition is issued normally according to the start condition issuance request (when a start condition is detected with the ST bit set to 1)
- When 1 is written to the MST bit with the MTWP bit in ICMR1 set to 1

[Clearing conditions]

- When a stop condition is detected
- When the AL (arbitration-lost) flag in ICSR2 is set to 1
- When 0 is written to the MST bit with the MTWP bit in ICMR1 set to 1
- When 1 is written to the IICRST bit in ICCR1 to apply an RIIC reset or an internal reset

BBSY Flag (Bus Busy Detection)

The BBSY flag indicates whether the I²C bus is occupied (bus busy) or released (bus free).

This bit is set to 1 when the SDA line changes from high to low under the condition of SCL = high, assuming that a start condition has been issued.

When the SDA line changes from low to high under the condition of SCL = high, this bit is cleared to 0 after the bus free time (specified in ICBRL) start condition is not detected, assuming that a stop condition has been issued.

[Setting condition]

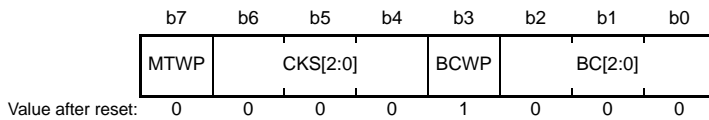
- When a start condition is detected

[Clearing conditions]

- When the bus free time (specified in ICBRL) start condition is not detected after detecting a stop condition
- When 1 is written to the IICRST bit in ICCR1 with the ICE bit in ICCR1 set to 0 (RIIC reset)

30.2.3 I²C Bus Mode Register 1 (ICMR1)

Address(es): 0008 8302h



Bit	Symbol	Bit Name	Description	R/W
b2 to b0	BC[2:0]	Bit Counter	b2 b0 0 0 0: 9 bits 0 0 1: 2 bits 0 1 0: 3 bits 0 1 1: 4 bits 1 0 0: 5 bits 1 0 1: 6 bits 1 1 0: 7 bits 1 1 1: 8 bits	R/W*1
b3	BCWP	BC Write Protect	0: Enables a value to be written in the BC[2:0] bits. (This bit is read as 1.)	R/W*1
b6 to b4	CKS[2:0]	Internal Reference Clock Selection	b6 b4 0 0 0: PCLK/1 clock 0 0 1: PCLK/2 clock 0 1 0: PCLK/4 clock 0 1 1: PCLK/8 clock 1 0 0: PCLK/16 clock 1 0 1: PCLK/32 clock 1 1 0: PCLK/64 clock 1 1 1: PCLK/128 clock	R/W
b7	MTWP	MST/TRS Write Protect	0: Disables writing to the MST and TRS bits in ICCR2. 1: Enables writing to the MST and TRS bits in ICCR2.	R/W

Note 1. Set the BCWP bit to 0 to rewrite the BC[2:0] bits. The BC[2:0] bits must be rewritten by using the MOV instruction.

BC[2:0] Bits (Bit Counter)

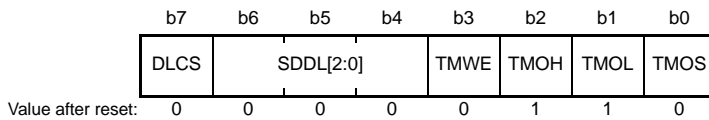
These bits function as a counter that indicates the number of bits remaining to be transferred at the detection of a rising edge on the SCL line. Although these bits are writable and readable, it is not necessary to access these bits under normal conditions.

To write to these bits, specify the number of bits to be transferred plus one (data is transferred with an additional acknowledge bit) between transferred frames when the SCL line is at a low level.

The values of the BC[2:0] bits return 000b at the end of a data transfer including the acknowledge bit or when a start condition including a restart condition is detected.

30.2.4 I²C Bus Mode Register 2 (ICMR2)

Address(es): 0008 8303h



Bit	Symbol	Bit Name	Description	R/W																																																						
b0	TMOS	Timeout Detection Time Selection	0: Long mode is selected. 1: Short mode is selected.	R/W																																																						
b1	TMOL	Timeout L Count Control	0: Count is disabled while the SCL line is at a low level. 1: Count is enabled while the SCL line is at a low level.	R/W																																																						
b2	TMOH	Timeout H Count Control	0: Count is disabled while the SCL line is at a high level. 1: Count is enabled while the SCL line is at a high level.	R/W																																																						
b3	TMWE	Timeout internal counter write enable bit	0: Writing to internal counter of timeout detection function is disabled. 1: Writing to internal counter of timeout detection function is enabled.	R/W																																																						
b6 to b4	SDDL[2:0]	SDA Output Delay Counter	<ul style="list-style-type: none"> • When ICMR2.DLCS = 0 (IICϕ) <table style="margin-left: 20px; border: none;"> <tr><td style="padding-right: 10px;">b6</td><td style="padding-right: 10px;">b4</td><td></td></tr> <tr><td>0</td><td>0</td><td>0: No output delay</td></tr> <tr><td>0</td><td>0</td><td>1: 1 IICϕ cycle</td></tr> <tr><td>0</td><td>1</td><td>0: 2 IICϕ cycles</td></tr> <tr><td>0</td><td>1</td><td>1: 3 IICϕ cycles</td></tr> <tr><td>1</td><td>0</td><td>0: 4 IICϕ cycles</td></tr> <tr><td>1</td><td>0</td><td>1: 5 IICϕ cycles</td></tr> <tr><td>1</td><td>1</td><td>0: 6 IICϕ cycles</td></tr> <tr><td>1</td><td>1</td><td>1: 7 IICϕ cycles</td></tr> </table> • When ICMR2.DLCS = 1 (IICϕ/2) <table style="margin-left: 20px; border: none;"> <tr><td style="padding-right: 10px;">b6</td><td style="padding-right: 10px;">b4</td><td></td></tr> <tr><td>0</td><td>0</td><td>0: No output delay</td></tr> <tr><td>0</td><td>0</td><td>1: 1 or 2 IICϕ cycles</td></tr> <tr><td>0</td><td>1</td><td>0: 3 or 4 IICϕ cycles</td></tr> <tr><td>0</td><td>1</td><td>1: 5 or 6 IICϕ cycles</td></tr> <tr><td>1</td><td>0</td><td>0: 7 or 8 IICϕ cycles</td></tr> <tr><td>1</td><td>0</td><td>1: 9 or 10 IICϕ cycles</td></tr> <tr><td>1</td><td>1</td><td>0: 11 or 12 IICϕ cycles</td></tr> <tr><td>1</td><td>1</td><td>1: 13 or 14 IICϕ cycles</td></tr> </table> 	b6	b4		0	0	0: No output delay	0	0	1: 1 IIC ϕ cycle	0	1	0: 2 IIC ϕ cycles	0	1	1: 3 IIC ϕ cycles	1	0	0: 4 IIC ϕ cycles	1	0	1: 5 IIC ϕ cycles	1	1	0: 6 IIC ϕ cycles	1	1	1: 7 IIC ϕ cycles	b6	b4		0	0	0: No output delay	0	0	1: 1 or 2 IIC ϕ cycles	0	1	0: 3 or 4 IIC ϕ cycles	0	1	1: 5 or 6 IIC ϕ cycles	1	0	0: 7 or 8 IIC ϕ cycles	1	0	1: 9 or 10 IIC ϕ cycles	1	1	0: 11 or 12 IIC ϕ cycles	1	1	1: 13 or 14 IIC ϕ cycles	R/W
b6	b4																																																									
0	0	0: No output delay																																																								
0	0	1: 1 IIC ϕ cycle																																																								
0	1	0: 2 IIC ϕ cycles																																																								
0	1	1: 3 IIC ϕ cycles																																																								
1	0	0: 4 IIC ϕ cycles																																																								
1	0	1: 5 IIC ϕ cycles																																																								
1	1	0: 6 IIC ϕ cycles																																																								
1	1	1: 7 IIC ϕ cycles																																																								
b6	b4																																																									
0	0	0: No output delay																																																								
0	0	1: 1 or 2 IIC ϕ cycles																																																								
0	1	0: 3 or 4 IIC ϕ cycles																																																								
0	1	1: 5 or 6 IIC ϕ cycles																																																								
1	0	0: 7 or 8 IIC ϕ cycles																																																								
1	0	1: 9 or 10 IIC ϕ cycles																																																								
1	1	0: 11 or 12 IIC ϕ cycles																																																								
1	1	1: 13 or 14 IIC ϕ cycles																																																								
b7	DLCS	SDA Output Delay Clock Source Selection	0: The internal reference clock (IIC ϕ) is selected as the clock source of the SDA output delay counter. 1: The internal reference clock divided by 2 (IIC ϕ /2) is selected as the clock source of the SDA output delay counter.*1	R/W																																																						

Note 1. The setting DLCS = 1 (IIC ϕ /2) only becomes valid when SCL is at the low level. When SCL is at the high level, the setting DLCS = 1 becomes invalid and the clock source becomes the internal reference clock (IIC ϕ).

TMOS Bit (Timeout Detection Time Selection)

This bit is used to select long mode or short mode for the timeout detection time when the timeout function is enabled (TMOE bit = 1 in ICFER). When this bit is set to 0, long mode is selected. When this bit is set to 1, short mode is selected. In long mode, the timeout detection internal counter functions as a 16 bit-counter. In short mode, the counter functions as a 14 bit-counter. While the SCL line is in the state that enables this counter as specified by bits TMOH and TMOL, the counter counts up in synchronization with the internal reference clock (IIC ϕ) as a count source. For details on the timeout function, see section 30.11.1, Timeout Function.

TMOL Bit (Timeout L Count Control)

This bit is used to enable or disable the internal counter of the timeout function to count up while the SCL line is held low when the timeout function is enabled (TMOE bit = 1 in ICFER).

TMOH Bit (Timeout H Count Control)

This bit is used to enable or disable the internal counter of the timeout function to count up while the SCL line is held high when the timeout function is enabled (TMOE bit = 1 in ICFER).

TMWE Bit (Timeout internal counter write enable bit)

This bit is used to select whether or not to allocate the timeout internal counter (TMOCNTL/TMOCNTU) to the address of the slave address register (SARL0/SARU0).

SDDL[2:0] Bits (SDA Output Delay Setup Counter)

The SDA output can be delayed by the SDDL[2:0] setting. This counter works with the clock source selected by the DLCS bit. The setting of this function can be used for all types of SDA output, including the transmission of the acknowledge bit.

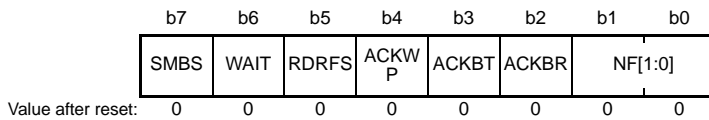
For details on this function, see section 30.5, Facility for Delaying SDA Output.

Note: • Set the SDA output delay time to meet the I²C bus standard (within the data enable time/acknowledge enable time*1) or the SMBus standard (within the data hold time: 300 ns or more, and SCL-clock low-level period - the data setup time: 250 ns). Note that, if a value outside the standard is set, communication with communication devices may malfunction or it may seemingly become a start condition or stop condition depending on the bus state.

Note 1. Data enable time/acknowledge enable time
3,450 ns (up to 100 kbps: standard mode [Sm])
900 ns (up to 400 kbps: fast mode [Fm])

30.2.5 I²C Bus Mode Register 3 (ICMR3)

Address(es): 0008 8304h



Bit	Symbol	Bit Name	Description	R/W
b1, b0	NF[1:0]	Noise Filter Stage Selection	b1 b0 0 0: Noise of up to one IIC ϕ cycle is filtered out (single-stage filter). 0 1: Noise of up to two IIC ϕ cycles is filtered out (2-stage filter). 1 0: Noise of up to three IIC ϕ cycles is filtered out (3-stage filter). 1 1: Noise of up to four IIC ϕ cycles is filtered out (4-stage filter).	R/W
b2	ACKBR	Receive Acknowledge	0: A 0 is received as the acknowledge bit (ACK reception). 1: A 1 is received as the acknowledge bit (NACK reception).	R
b3	ACKBT	Transmit Acknowledge	0: A 0 is sent as the acknowledge bit (ACK transmission). 1: A 1 is sent as the acknowledge bit (NACK transmission).	R/W*1
b4	ACKWP	ACKBT Write Protect	0: Modification of the ACKBT bit is disabled. 1: Modification of the ACKBT bit is enabled.	W*1
b5	RDRFS	RDRF Flag Set Timing Selection	0: The RDRF flag is set at the rising edge of the ninth SCL clock cycle. (The SCL line is not held low at the falling edge of the eighth clock cycle.) 1: The RDRF flag is set at the rising edge of the eighth SCL clock cycle. (The SCL line is held low at the falling edge of the eighth clock cycle.) Low-hold is released by writing a value to the ACKBT bit.	R/W*2
b6	WAIT	WAIT	0: No WAIT (The period between ninth clock cycle and first clock cycle is not held low.) 1: WAIT (The period between ninth clock cycle and first clock cycle is held low.) Low-hold is released by reading ICDRR.	R/W*2
b7	SMBS	SMBus/I ² C Bus Selection	0: The I ² C bus is selected. 1: The SMBus is selected.	R/W

Note 1. If it is attempted to write 1 to both ACKWP and ACKBT bits, the ACKBT bit cannot be set to 1.

Note 2. The WAIT and RDRFS bits are valid only in receive mode (invalid in transmit mode).

ICMR3 has functions to send/receive acknowledge, to select the RDRF set timing in RIIC receive operation, and to control WAIT operation.

Note: • Set the noise range to be filtered out by the noise filter within a range less than the SCL line high-level period or low-level period. If the noise range is set to a value of (SCL clock width: high-level period or low-level period, whichever is shorter) - [1.5 internal reference clock (IIC ϕ) cycles + analog noise filter: 120 ns (reference values)] or more, the SCL clock is regarded as noise by the noise filter function of the RIIC, which may prevent the RIIC from operating normally.

ACKBR Bit (Receive Acknowledge)

This bit is used to store the acknowledge bit information received from the receive device in transmit mode.

[Setting condition]

- When 1 is received as the acknowledge bit with the TRS bit in ICCR2 set to 1

[Clearing conditions]

- When 0 is received as the acknowledge bit with the TRS bit in ICCR2 set to 1
- When 1 is written to the IICRST bit in ICCR1 while the ICE bit in ICCR1 is 0 (RIIC reset)

ACKBT Bit (Transmit Acknowledge)

This bit is used to set the bit to be sent at the acknowledge timing in receive mode.

[Setting condition]

- When 1 is written to this bit with the ACKWP bit set to 1

[Clearing conditions]

- When 0 is written to this bit with the ACKWP bit set to 1
- When stop condition issuance is detected (when a stop condition is detected with the SP bit in ICCR2 set to 1)
- When 1 is written to the IICRST bit in ICCR1 while the ICE bit in ICCR1 is 0 (RIIC reset)

Note: • The ACKBT bit must be written to while the ACKWP bit is 1. If the ACKBT bit is written to with the ACKWP bit cleared to 0, writing to the ACKBT bit is disabled.

ACKWP Bit (ACKBT Write Protect)

This bit is used to control the modification of the ACKBT bit.

RDRFS Bit (RDRF Flag Set Timing Selection)

This bit is used to select the RDRF flag set timing in receive mode and also to select whether to hold the SCL line low at the falling edge of the eighth SCL clock cycle.

When the RDRFS bit is 0, the SCL line is not held low at the falling edge of the eighth SCL clock cycle, and the RDRF flag is set to 1 at the rising edge of the ninth SCL clock cycle.

When the RDRFS bit is 1, the RDRF flag is set to 1 at the rising edge of the eighth SCL clock cycle and the SCL line is held low at the falling edge of the eighth SCL clock cycle. The low-hold of the SCL line is released by writing a value to the ACKBT bit.

After data is received with this setting, the SCL line is automatically held low before the acknowledge bit is sent. This enables processing to send ACK (ACKBT = 0) or NACK (ACKBT = 1) according to receive data.

WAIT Bit (WAIT)

This bit is used to control whether to hold the period between the ninth SCL clock cycle and the first SCL clock cycle low until the receive data buffer (ICDRR) is completely read each time single-byte data is received in receive mode.

When the WAIT bit is 0, the receive operation is continued without holding the period between the ninth and the first SCL clock cycle low. When both the RDRFS and WAIT bits are 0, continuous receive operation is enabled with the double buffer.

When the WAIT bit is 1, the SCL line is held low from the falling edge of the ninth clock cycle until the ICDRR value is read each time single-byte data is received. This enables receive operation in byte units.

Note: • When the value of the WAIT bit is to be read, be sure to read the ICDRR beforehand.

SMBS Bit (SMBus/I²C Bus Selection)

Setting this bit to 1 selects the SMBus and enables the HOAE bit in ICSESR.

30.2.6 I²C Bus Function Enable Register (ICFER)

Address(es): RIIC0.ICFER 0008 8305h, RIIC1.ICFER 0008 8325h, RIIC2.ICFER 0008 8345h, RIIC3.ICFER 0008 8365h

b7	b6	b5	b4	b3	b2	b1	b0
—	SCLE	NFE	NACKE	SALE	NALE	MALE	TMOE

Value after reset: 0 1 1 1 0 0 1 0

Bit	Symbol	Bit Name	Description	R/W
b0	TMOE	Timeout Function Enable	0: The timeout function is disabled. 1: The timeout function is enabled.	R/W
b1	MALE	Master Arbitration-Lost Detection Enable	0: Master arbitration-lost detection is disabled. (Disables the arbitration-lost detection function and does not clear the MST and TRS bits in ICCR2 automatically when arbitration is lost.) 1: Master arbitration-lost detection is enabled. (Enables the arbitration-lost detection function and clears the MST and TRS bits in ICCR2 automatically when arbitration is lost.)	R/W
b2	NALE	NACK Transmission Arbitration-Lost Detection Enable	0: NACK transmission arbitration-lost detection is disabled. 1: NACK transmission arbitration-lost detection is enabled.	R/W
b3	SALE	Slave Arbitration-Lost Detection Enable	0: Slave arbitration-lost detection is disabled. 1: Slave arbitration-lost detection is enabled.	R/W
b4	NACKE	NACK Reception Transfer Suspension Enable	0: Transfer operation is not suspended during NACK reception (transfer suspension disabled). 1: Transfer operation is suspended during NACK reception (transfer suspension enabled).	R/W
b5	NFE	Digital Noise Filter Circuit Enable	0: No digital noise filter circuit is used. 1: A digital noise filter circuit is used.	R/W
b6	SCLE	SCL Synchronous Circuit Enable	0: No SCL synchronous circuit is used. 1: An SCL synchronous circuit is used.	R/W
b7	—	Reserved	This bit is read as 0. The write value should be 0.	R/W

TMOE Bit (Timeout Function Enable)

This bit is used to enable or disable the timeout function.

For details on the timeout function, see section 30.11.1, Timeout Function.

MALE Bit (Master Arbitration-Lost Detection Enable)

This bit is used to specify whether to use the arbitration-lost detection function in master mode. Normally, set this bit to 1.

NALE Bit (NACK Transmission Arbitration-Lost Detection Enable)

This bit is used to specify whether to cause arbitration to be lost when ACK is detected during transmission of NACK in receive mode (such as when slaves with the same address exist on the bus or when two or more masters select the same slave device simultaneously with different number of receive bytes).

SALE Bit (Slave Arbitration-Lost Detection Enable)

This bit is used to specify whether to cause arbitration to be lost when a value different from the value being transmitted is detected on the bus in slave transmit mode (such as when slaves with the same address exist on the bus or when a mismatch with the transmit data occurs due to noise).

NACKE Bit (NACK Reception Transfer Suspension Enable)

This bit is used to specify whether to continue or discontinue the transfer operation when NACK is received from the slave device in transmit mode. Normally, set this bit to 1.

When NACK is received with the NACKE bit set to 1, the next transfer operation is suspended.

When the NACKE bit is 0, the next transfer operation is continued regardless of the received acknowledge content.

For details on the NACK reception transfer suspension function, see section 30.8.2, NACK Reception Transfer Suspension Function.

SCLE Bit (SCL Synchronous Circuit Enable)

This bit is used to specify whether to synchronize the SCL clock with the SCL input clock. Normally, set this bit to 1.

When the SCLE bit is cleared to 0 (SCL synchronous circuit not used), the RIIC does not synchronize the SCL clock with the SCL input clock. In this setting, the RIIC outputs the SCL clock with the transfer rate set in ICBRH and ICBRL regardless of the SCL line state. For this reason, if the bus load of the I²C bus line is much larger than the specification value or if the SCL clock output overlaps in multiple masters, the short-cycle SCL clock that does not meet the specification may be output. When no SCL synchronous circuit is used, it also affects the issuance of a start condition, restart condition, and stop condition, and the continuous output of extra SCL clock cycles.

This bit must not be cleared to 0 except for checking the output of the set transfer rate.

30.2.7 I²C Bus Status Enable Register (ICSER)

Address(es): 0008 8306h

b7	b6	b5	b4	b3	b2	b1	b0	
HOAE	—	DIDE	—	GCAE	SAR2E	SAR1E	SAR0E	
Value after reset:	0	0	0	0	1	0	0	1

Bit	Symbol	Bit Name	Description	R/W
b0	SAR0E	Slave Address Register 0 Enable	0: Slave address in SARL0 and SARU0 is disabled. 1: Slave address in SARL0 and SARU0 is enabled.	R/W
b1	SAR1E	Slave Address Register 1 Enable	0: Slave address in SARL1 and SARU1 is disabled. 1: Slave address in SARL1 and SARU1 is enabled.	R/W
b2	SAR2E	Slave Address Register 2 Enable	0: Slave address in SARL2 and SARU2 is disabled. 1: Slave address in SARL2 and SARU2 is enabled.	R/W
b3	GCAE	General Call Address Enable	0: General call address detection is disabled. 1: General call address detection is enabled.	R/W
b4	—	Reserved	This bit is read as 0. The write value should be 0.	R/W
b5	DIDE	Device-ID Address Detection Enable	0: Device-ID address detection is disabled. 1: Device-ID address detection is enabled.	R/W
b6	—	Reserved	This bit is read as 0. The write value should be 0.	R/W
b7	HOAE	Host Address Enable	0: Host address detection is disabled. 1: Host address detection is enabled.	R/W

SARyE Bit (Slave Address Register y Enable) (y = 0 to 2)

This bit is used to enable or disable the received slave address and the slave address set in SARLy and SARUy.

When this bit is set to 1, the slave address set in SARLy and SARUy is enabled and is compared with the received slave address.

When this bit is cleared to 0, the slave address set in SARLy and SARUy is disabled and is ignored even if it matches the received slave address.

GCAE Bit (General Call Address Enable)

This bit is used to specify whether to ignore the general call address (0000 000b + 0 [W]: All 0) when it is received.

When this bit is set to 1, if the received slave address matches the general call address, the RIIC recognizes the received slave address as the general call address independently of the slave addresses set in SARLy and SARUy (y = 0 to 2) and performs data receive operation.

When this bit is cleared to 0, the received slave address is ignored even if it matches the general call address.

DIDE Bit (Device-ID Address Detection Enable)

This bit is used to specify whether to recognize and execute the Device-ID address when a device ID (1111 100b) is received in the first frame after a start condition or restart condition is detected.

When this bit is set to 1, if the received first frame matches the device ID, the RIIC recognizes that the Device-ID address has been received. When the following R/W# bit is 0 [W], the RIIC recognizes the second and the following frames as slave addresses and continues the receive operation.

When this bit is cleared to 0, the RIIC ignores the received first frame even if it matches the device ID address and recognizes the first frame as a normal slave address.

For details on the device-ID address detection, see section 30.7.3, Device-ID Address Detection.

HOAE Bit (Host Address Enable)

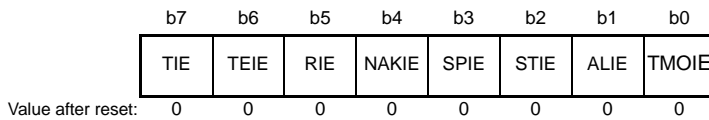
This bit is used to specify whether to ignore received host address (0001 000b) when the SMBS bit in ICMR3 is 1.

When this bit is set to 1 while the SMBS bit in ICMR3 is 1, if the received slave address matches the host address, the RIIC recognizes the received slave address as the host address independently of the slave addresses set in SARLy and SARUy (y = 0 to 2) and performs the receive operation.

When the SMBS bit in ICMR3 or the HOAE bit is cleared to 0, the received slave address is ignored even if it matches the host address.

30.2.8 I²C Bus Interrupt Enable Register (ICIER)

Address(es): 0008 8307h



Bit	Symbol	Bit Name	Description	R/W
b0	TMOIE	Timeout Interrupt Enable	0: Timeout interrupt request (TMOI) is disabled. 1: Timeout interrupt request (TMOI) is enabled.	R/W
b1	ALIE	Arbitration-Lost Interrupt Enable	0: Arbitration-lost interrupt request (ALI) is disabled. 1: Arbitration-lost interrupt request (ALI) is enabled.	R/W
b2	STIE	Start Condition Detection Interrupt Enable	0: Start condition detection interrupt request (STI) is disabled. 1: Start condition detection interrupt request (STI) is enabled.	R/W
b3	SPIE	Stop Condition Detection Interrupt Enable	0: Stop condition detection interrupt request (SPI) is disabled. 1: Stop condition detection interrupt request (SPI) is enabled.	R/W
b4	NAKIE	NACK Reception Interrupt Enable	0: NACK reception interrupt request (NAKI) is disabled. 1: NACK reception interrupt request (NAKI) is enabled.	R/W
b5	RIE	Receive Data Full Interrupt Enable	0: Receive data full interrupt request (RXI) is disabled. 1: Receive data full interrupt request (RXI) is enabled.	R/W
b6	TEIE	Transmit End Interrupt Enable	0: Transmit end interrupt request (TEI) is disabled. 1: Transmit end interrupt request (TEI) is enabled.	R/W
b7	TIE	Transmit Data Empty Interrupt Enable	0: Transmit data empty interrupt request (TXI) is disabled. 1: Transmit data empty interrupt request (TXI) is enabled.	R/W

TMOIE Bit (Timeout Interrupt Enable)

This bit is used to enable or disable timeout interrupt requests (TMOI) when the TMOF flag in ICSR2 is set to 1. A TMOI interrupt request is canceled by clearing the TMOF flag or the TMOIE bit to 0.

ALIE Bit (Arbitration-Lost Interrupt Enable)

This bit is used to enable or disable arbitration-lost interrupt requests (ALI) when the AL flag in ICSR2 is set to 1. An ALI interrupt request is canceled by clearing the AL flag or the ALIE bit to 0.

STIE Bit (Start Condition Detection Interrupt Enable)

This bit is used to enable or disable start condition detection interrupt requests (STI) when the START flag in ICSR2 is set to 1. An STI interrupt request is canceled by clearing the START flag or the STIE bit to 0.

SPIE Bit (Stop Condition Detection Interrupt Enable)

This bit is used to enable or disable stop condition detection interrupt requests (SPI) when the STOP flag in ICSR2 is set to 1. An SPI interrupt request is canceled by clearing the STOP flag or the SPIE bit to 0.

NAKIE Bit (NACK Reception Interrupt Enable)

This bit is used to enable or disable NACK reception interrupt requests (NAKI) when the NACKF flag in ICSR2 is set to 1. An NAKI interrupt request is canceled by clearing the NACKF flag or the NAKIE bit to 0.

RIE Bit (Receive Data Full Interrupt Enable)

This bit is used to enable or disable receive data full interrupt requests (RXI) when the RDRF flag in ICSR2 is set to 1.

TEIE Bit (Transmit End Interrupt Enable)

This bit is used to enable or disable transmit end interrupts (TEI) when the TEND flag in ICSR2 is set to 1. An TEI interrupt request is canceled by clearing the TEND flag or the TEIE bit to 0.

TIE Bit (Transmit Data Empty Interrupt Enable)

This bit is used to enable or disable transmit data empty interrupts (TXI) when the TDRE flag in ICSR2 is set to 1.

30.2.9 I²C Bus Status Register 1 (ICSR1)

Address(es): 0008 8308h

b7	b6	b5	b4	b3	b2	b1	b0
HOA	—	DID	—	GCA	AAS2	AAS1	AAS0

Value after reset: 0 0 0 0 0 0 0 0

Bit	Symbol	Bit Name	Description	R/W
b0	AAS0	Slave Address 0 Detection Flag	0: Slave address 0 is not detected. 1: Slave address 0 is detected. <ul style="list-style-type: none"> This bit is set to 1 when the received slave address matches the SVA[6:0] value in SARL0 while the FS bit in SARU0 is 0 (7-bit address format selected). This bit is set to 1 when the received slave address matches a value of (1111 0b + SVA[1:0] in SARU0) and the following address matches the SARL0 value while the FS bit in SARU0 is 1 (10-bit address format selected). (This bit is set at the rising edge of the ninth SCL clock cycle in the SARL0 match determination frame.)	R(W) *1
b1	AAS1	Slave Address 1 Detection Flag	0: Slave address 1 is not detected. 1: Slave address 1 is detected. <ul style="list-style-type: none"> This bit is set to 1 when the received slave address matches the SVA[6:0] value in SARL1 while the FS bit in SARU1 is 0 (7-bit address format selected). This bit is set to 1 when the received slave address matches a value of (1111 0b + SVA[1:0] in SARU1) and the following address matches the SARL1 value while the FS bit in SARU1 is 1 (10-bit address format selected). (This bit is set at the rising edge of the ninth SCL clock cycle in the SARL1 match determination frame.)	R(W) *1
b2	AAS2	Slave Address 2 Detection Flag	0: Slave address 2 is not detected. 1: Slave address 2 is detected. <ul style="list-style-type: none"> This bit is set to 1 when the received slave address matches the SVA[6:0] value in SARL2 while the FS bit in SARU2 is 0 (7-bit address format selected). This bit is set to 1 when the received slave address matches a value of (1111 0b + SVA[1:0] in SARU2) and the following address matches the SARL2 value while the FS bit in SARU2 is 1 (10-bit address format selected). (This bit is set at the rising edge of the ninth SCL clock cycle in the SARL2 match determination frame.)	R(W) *1
b3	GCA	General Call Address Detection Flag	0: General call address is not detected. 1: General call address is detected. <ul style="list-style-type: none"> This bit is set to 1 when the received slave address matches the general call address (all 0). 	R(W) *1
b4	—	Reserved	This bit is read as 0. The write value should be 0.	R/W
b5	DID	Device-ID Address Detection Flag	0: Device-ID command is not detected. 1: Device-ID command is detected. <ul style="list-style-type: none"> This bit is set to 1 when the first frame received immediately after a start condition is detected matches a value of (device ID (1111 100b) + 0[W]). 	R(W) *1
b6	—	Reserved	This bit is read as 0. The write value should be 0.	R/W
b7	HOA	Host Address Detection Flag	0: Host address is not detected. 1: Host address is detected. <ul style="list-style-type: none"> This bit is set to 1 when the received slave address matches the host address (0001 000b). 	R(W) *1

Note 1. Only 0 can be written to clear the flag.

AASy Flag (Slave Address y Detection) (y = 0 to 2)

[Setting conditions]

For 7-bit address format: SARUy.FS = 0

- When the received slave address matches the SVA[6:0] value in SARLy with the SARyE bit in ICSEr set to 1 (slave address y detection enabled)

This flag is set to 1 at the rising edge of the ninth SCL clock cycle in the frame.

For 10-bit address format: SARUy.FS = 1

- When the received slave address matches a value of (11110b + SVA[1:0] in SARUy) and the following address matches the SARLy value with the SARyE bit in ICSEr set to 1 (slave address y detection enabled)

This flag is set to 1 at the rising edge of the ninth SCL clock cycle in the frame.

[Clearing conditions]

- When 0 is written to the AASy bit after reading AASy = 1
- When a stop condition is detected
- When 1 is written to the IICRST bit in ICCR1 to apply an RIIC reset or an internal reset

For 7-bit address format: SARUy.FS = 0

- When the received slave address does not match the SVA[6:0] value in SARLy with the SARyE bit in ICSEr set to 1 (slave address y detection enabled)

This flag is cleared to 0 at the rising edge of the ninth SCL clock cycle in the frame.

For 10-bit address format: SARUy.FS = 1

- When the received slave address does not match a value of (11110b + SVA[1:0] in SARUy) with the SARyE bit in ICSEr set to 1 (slave address y detection enabled)

This flag is cleared to 0 at the rising edge of the ninth SCL clock cycle in the frame.

- When the received slave address matches a value of (11110b + SVA[1:0] in SARUy) and the following address does not match the SARLy value with the SARyE bit in ICSEr set to 1 (slave address y detection enabled)

This flag is cleared to 0 at the rising edge of the ninth SCL clock cycle in the frame.

GCA Flag (General Call Address Detection)

[Setting condition]

- When the received slave address matches the general call address (0000 000b + 0 [W]) with the GCAE bit in ICSEr set to 1 (general call address detection enabled)

This flag is set to 1 at the rising edge of the ninth SCL clock cycle in the frame.

[Clearing conditions]

- When 0 is written to the GCA bit after reading GCA = 1
 - When a stop condition is detected
 - When the received slave address does not match the general call address (0000 000b + 0 [W]) with the GCAE bit in ICSEr set to 1 (general call address detection enabled)
- This flag is cleared to 0 at the rising edge of the ninth SCL clock cycle in the frame.
- When 1 is written to the IICRST bit in ICCR1 to apply an RIIC reset or an internal reset

DID Flag (Device-ID Address Detection)

[Setting condition]

- When the first frame received immediately after a start condition or restart condition is detected matches a value of (device ID (1111 100b) + 0 [W]) with the DIDE bit in IC SER set to 1 (Device-ID address detection enabled)
This flag is set to 1 at the rising edge of the ninth SCL clock cycle in the frame.

[Clearing conditions]

- When 0 is written to the DID bit after reading DID = 1
- When a stop condition is detected
- When the first frame received immediately after a start condition or restart condition is detected does not match a value of (device ID (1111 100b)) with the DIDE bit in IC SER set to 1 (Device-ID address detection enabled)
This flag is cleared to 0 at the rising edge of the ninth SCL clock cycle in the frame.
- When the first frame received immediately after a start condition or restart condition is detected matches a value of (device ID (1111 100b) + 0 [W]) and the second frame does not match any of slave addresses 0 to 2 with the DIDE bit in IC SER set to 1 (Device-ID address detection enabled)
This flag is cleared to 0 at the rising edge of the ninth SCL clock cycle in the frame.
- When 1 is written to the IICRST bit in ICCR1 to apply an RIIC reset or an internal reset

HOA Flag (Host Address Detection)

[Setting condition]

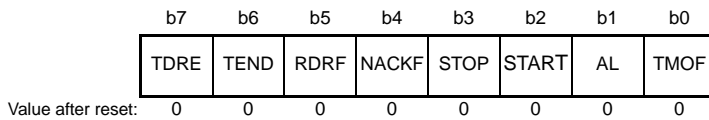
- When the received slave address matches the host address (0001 000b) with the HOAE bit in IC SER set to 1 (host address detection enabled)
This flag is set to 1 at the rising edge of the ninth SCL clock cycle in the frame.

[Clearing conditions]

- When 0 is written to the HOA bit after reading HOA = 1
- When a stop condition is detected
- When 0 is written to the SMBS bit in ICMR3 or the HOAE bit in IC SER
- When the received slave address does not match the host address (0001 000b) with the HOAE bit in IC SER set to 1 (host address detection enabled)
This flag is cleared to 0 at the rising edge of the ninth SCL clock cycle in the frame.
- When 1 is written to the IICRST bit in ICCR1 to apply an RIIC reset or an internal reset

30.2.10 I²C Bus Status Register 2 (ICSR2)

Address(es): 0008 8309h



Bit	Symbol	Bit Name	Description	R/W
b0	TMOF	Timeout Detection Flag	0: Timeout is not detected. 1: Timeout is detected.	R(/W) *1
b1	AL	Arbitration-Lost Flag	0: Arbitration is not lost. 1: Arbitration is lost.	R(/W) *1
b2	START	Start Condition Detection Flag	0: Start condition is not detected. 1: Start condition is detected.	R(/W) *1
b3	STOP	Stop Condition Detection Flag	0: Stop condition is not detected. 1: Stop condition is detected.	R(/W) *1
b4	NACKF	NACK Detection Flag	0: NACK is not detected. 1: NACK is detected.	R(/W) *1
b5	RDRF	Receive Data Full Flag	0: ICDRR contains no receive data. 1: ICDRR contains receive data.	R(/W) *1
b6	TEND	Transmit End Flag	0: Data is being transmitted. 1: Data has been transmitted.	R(/W) *1
b7	TDRE	Transmit Data Empty Flag	0: ICDRT contains transmit data. 1: ICDRT contains no transmit data.	R

Note 1. Only 0 can be written to clear the flag.

TMOF Flag (Timeout Detection)

This flag is set to 1 when the RIIC recognizes timeout after the SCL line state remains unchanged for a certain period.

[Setting condition]

- When the SCL line state remains unchanged for the period specified by bits TMOH, TMOL, and TMOS in ICMR2 with the TMOE bit in ICFER set to 1 (timeout detection enabled) in master mode or in the slave specification state.

[Clearing conditions]

- When 0 is written to the TMOF bit after reading TMOF = 1
- When 1 is written to the IICRST bit in ICCR1 to apply an RIIC reset or an internal reset

AL Flag (Arbitration-Lost)

This flag shows that bus mastership has been lost (loss in arbitration) due to a bus conflict or some other reason when a start condition is issued or an address and data are transmitted. The RIIC monitors the level on the SDA line during transmission and, if the level on the line does not match the value of the bit being output, sets the value of the AL bit to 1 to indicate that the bus is occupied by another device.

The RIIC can also set the flag to indicate the detection of loss of arbitration during NACK transmission in master mode or during data transmission in slave mode.

[Setting conditions]

When master arbitration-lost detection is enabled: ICFER.MALE = 1

- When the internal SDA output state does not match the SDA line level at the rising edge of SCL clock except for the ACK period during data (including slave address) transmission in master transmit mode (when the SDA line is driven low while the internal SDA output is at a high level (the SDA pin is in the high-impedance state))
- When a start condition is detected while the ST bit in ICCR2 is 1 (start condition issuance request) or the internal SDA output state does not match the SDA line level
- When the ST bit in ICCR2 is set to 1 (start condition issuance request) with the BBSY flag in ICCR2 set to 1.

When NACK arbitration-lost detection is enabled: ICFER.NALE = 1

- When the internal SDA output state does not match the SDA line level at the rising edge of SCL clock in the ACK period during NACK transmission in receive mode

When slave arbitration-lost detection is enabled: ICFER.SALE = 1

- When the internal SDA output state does not match the SDA line level at the rising edge of SCL clock except for the ACK period during data transmission in slave transmit mode

[Clearing conditions]

- When 0 is written to the AL bit after reading AL = 1
- When 1 is written to the IICRST bit in ICCR1 to apply an RIIC reset or an internal reset

Table 30.5 Relationship between Arbitration-Lost Generation Sources and Arbitration-Lost Enable Functions

ICFER			ICSR2	Error	Arbitration-Lost Generation Source
MALE	NALE	SALE	AL		
1	x	x	1	Start condition issuance error	When internal SDA output state does not match SDA line level when a start condition is detected while the ST bit in ICCR2 is 1 When ST in ICCR2 is set to 1 with BBSY in ICCR2 set to 1
			1	Transmit data mismatch	When transmit data (including slave address) does not match the bus state in master transmit mode
x	1	x	1	NACK transmission mismatch	When ACK is detected during transmission of NACK in master receive mode or slave receive mode
x	x	1	1	Transmit data mismatch	When transmit data does not match the bus state in slave transmit mode

x: Don't care

START Flag (Start Condition Detection)

[Setting condition]

- When a start condition (or a restart condition) is detected

[Clearing conditions]

- When 0 is written to the START bit after reading START = 1
- When a stop condition is detected
- When 1 is written to the IICRST bit in ICCR1 to apply an RIIC reset or an internal reset

STOP Flag (Stop Condition Detection)

[Setting condition]

- When a stop condition is detected

[Clearing conditions]

- When 0 is written to the STOP bit after reading STOP = 1
- When 1 is written to the IICRST bit in ICCR1 to apply an RIIC reset or an internal reset

NACKF Flag (NACK Detection)

[Setting condition]

- When acknowledge is not received (NACK is received) from the receive device in transmit mode with the NACKF bit in ICFER set to 1 (transfer suspension enabled)

[Clearing conditions]

- When 0 is written to the NACKF bit after reading NACKF = 1
- When 1 is written to the IICRST bit in ICCR1 to apply an RIIC reset or an internal reset

Note: • When the NACKF flag is set to 1, the RIIC suspends data transmission/reception. Writing to ICDRT in transmit mode or reading from ICDRR in receive mode with the NACKF flag set to 1 does not enable data transmit/receive operation. To restart data transmission/reception, clear the NACKF flag to 0.

RDRF Flag (Receive Data Full)

[Setting conditions]

- When receive data has been transferred from ICDRS to ICDRR
This flag is set to 1 at the rising edge of the eighth or ninth SCL clock cycle (selected by the RDRFS bit in ICMR3)
- When the received slave address matches after a start condition (or a restart condition) is detected with the TRS bit in ICCR2 cleared to 0

[Clearing conditions]

- When 0 is written to the RDRF bit after reading RDRF = 1
- When data is read from ICDRR
- When 1 is written to the IICRST bit in ICCR1 to apply an RIIC reset or an internal reset

TEND Flag (Transmit End)

[Setting condition]

- At the rising edge of the ninth SCL clock cycle while the TDRE flag is 1

[Clearing conditions]

- When 0 is written to the TEND bit after reading TEND = 1
- When data is written to ICDRT
- When a stop condition is detected
- When 1 is written to the IICRST bit in ICCR1 to apply an RIIC reset or an internal reset

TDRE Flag (Transmit Data Empty)

[Setting conditions]

- When data has been transferred from ICDRT to ICDRS and ICDRT becomes empty
- When the TRS bit in ICCR2 is set to 1
 - a. When the MST bit in ICCR2 is set to 1 after a start condition (or a restart condition) is detected
 - b. When the RIIC enters transmit mode from receive mode
 - c. When 1 is written to while the ICMR1.MTWP bit is 1
- When the received slave address matches while the TRS bit is 1

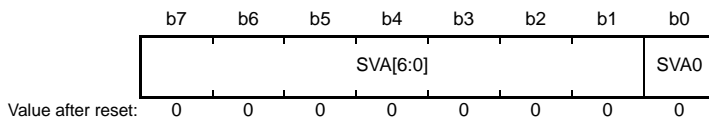
[Clearing conditions]

- When data is written to ICDRT
- When the TRS bit in ICCR2 is cleared to 0
 - a. When a stop condition is detected
 - b. When the RIIC enters receive mode from transmit mode
 - c. When 0 is written to while the ICMR1.MTWP bit is 1
- When 1 is written to the IICRST bit in ICCR1 to apply an RIIC reset or an internal reset

Note: • When the NACKF flag is set to 1 while the NACKE bit in ICFER is 1, the RIIC suspends data transmission/reception. Here, if the TDRE flag is 0 (next transmit data has been written), data is transferred to the ICDRS register and the ICDRT register becomes empty at the rising edge of the ninth clock cycle, but the TDRE flag is not set to 1.

30.2.11 Slave Address Register Ly (SARLy) (y = 0 to 2)

Address(es): RIIC0.SARL0 0008 830Ah RIIC0.SARL1 0008 830Ch RIIC0.SARL2 0008 830Eh



Bit	Symbol	Bit Name	Description	R/W
b0	SVA0	10-Bit Address LSB	The least significant bit (LSB) of a 10-bit slave address is set. <ul style="list-style-type: none"> When the FS bit in SARUy is 0 (7-bit address format), this bit is invalid. When the FS bit in SARUy is 1 (10-bit address format), this bit is the LSB of the lower 8-bit address (combined with the SVA[6:0] bits) of a 10-bit slave address. 	R/W
b7 to b1	SVA[6:0]	7-Bit Address/10-Bit Address Lower Bits	A slave address is set. <ul style="list-style-type: none"> When the FS bit in SARUy is 0 (7-bit address format), these bits form a 7-bit slave address. When the FS bit in SARUy is 1 (10-bit address format), these bits form the lower 8-bit address (combined with the SVA0 bit) of a 10-bit slave address. 	R/W

SVA0 Bit (10-Bit Address LSB)

When the 10-bit address format is selected (SARUy.FS = 1), this bit functions as the LSB of a 10-bit address and forms the lower eight bits of a 10-bit address in combination with the SVA[6:0] bits.

When the SARyE bit in IC SER is set to 1 (SARLy and SARUy enabled) and the SARUy.FS bit is 1, this bit is valid.

While the SARUy.FS bit or SARyE bit is 0, the setting of this bit is ignored.

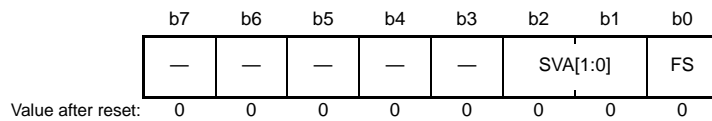
SVA[6:0] Bits (7-Bit Address/10-Bit Address Lower Bits)

When the 7-bit address format is selected (SARUy.FS = 0), these bits function as a 7-bit address. When the 10-bit address format is selected (SARUy.FS = 1), these bits function as the lower eight bits of a 10-bit address in combination with the SVA0 bit.

While the SARyE bit in IC SER is 0, the setting of these bits is ignored.

30.2.12 Slave Address Register Uy (SARUy) (y = 0 to 2)

Address(es): RIIC0.SARU0 0008 830Bh RIIC0.SARU1 0008 830Dh RIIC0.SARU2 0008 830Fh



Bit	Symbol	Bit Name	Description	R/W
b0	FS	7-Bit/10-Bit Address Format Selection	0: The 7-bit address format is selected. 1: The 10-bit address format is selected.	R/W
b2, b1	SVA[1:0]	10-Bit Address Upper Bits	A slave address is set. <ul style="list-style-type: none"> • When the SARUy.FS bit is 0 (7-bit address format), these bits are invalid. • When the SARUy.FS bit is 1 (10-bit address format), these bits form the upper two bits of a 10-bit slave address. 	R/W
b7 to b3	—	Reserved	These bits are read as 0. The write value should be 0.	R/W

FS Bit (7-Bit/10-Bit Address Format Selection)

This bit is used to select 7-bit address or 10-bit address for slave address y (in SARLy and SARUy).

When the SARyE bit in ICSEr is set to 1 (SARLy and SARUy enabled) and the SARUy.FS bit is 0, the 7-bit address format is selected for slave address y, the SVA[6:0] setting in SARLy is valid, and the settings of the SVA[1:0] bits and the SVA0 bit in SARLy are ignored.

When the SARyE bit in ICSEr is set to 1 (SARLy and SARUy enabled) and the SARUy.FS bit is 1, the 10-bit address format is selected for slave address y and the settings of the SVA[1:0] bits and SARLy are valid.

While the SARyE bit in ICSEr is 0 (SARLy and SARUy disabled), the setting of the SARUy.FS bit is invalid.

SVA[1:0] Bits (10-Bit Address Upper Bits)

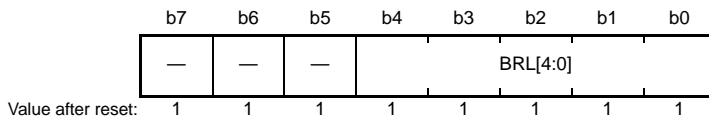
When the 10-bit address format is selected (FS = 1), these bits function as the upper two bits of a 10-bit address.

When the SARyE bit in ICSEr is set to 1 (SARLy and SARUy enabled) and the SARUy.FS bit is 1, these bits are valid.

While the SARUy.FS bit or SARyE bit is 0, the setting of these bits is ignored.

30.2.13 I²C Bus Bit Rate Low-Level Register (ICBRL)

Address(es): 0008 8310h



Bit	Symbol	Bit Name	Description	R/W
b4 to b0	BRL[4:0]	Bit Rate Low-Level Period	Low-level period of SCL clock	R/W
b7 to b5	—	Reserved	These bits are read as 1. The write value should be 1.	R/W

ICBRL is a 5-bit register to set the low-level period of SCL clock.

It also works to generate the data setup time for automatic SCL low-hold operation (see section 30.8, Automatically Low-Hold Function for SCL); when the RIIC is used only in slave mode, this register needs to be set to a value longer than the data setup time*1.

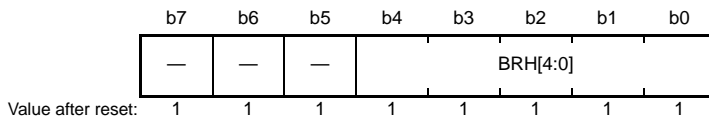
ICBRL counts the low-level period with the internal reference clock source (IIC ϕ) specified by the CKS[2:0] bits in ICMR1.

If the digital noise filter is enabled (the NFE bit in ICFER is 1), set the ICBRL register to a value at least one greater than the number of stages in the noise filter. Regarding the number of stages in the noise filter, see the description of the ICMR3.NF[1:0] bits.

Note 1. Data setup time (t_{SU}: DAT)
 250 ns (up to 100 kbps: standard mode [Sm])
 100 ns (up to 400 kbps: fast mode [Fm])

30.2.14 I²C Bus Bit Rate High-Level Register (ICBRH)

Address(es): 0008 8311h



Bit	Symbol	Bit Name	Description	R/W
b4 to b0	BRH[4:0]	Bit Rate High-Level Period	High-level period of SCL clock	R/W
b7 to b5	—	Reserved	These bits are read as 1. The write value should be 1.	R/W

ICBRH is a 5-bit register to set the high-level period of SCL clock. ICBRH is valid in master mode. If the RIIC is used only in slave mode, this register need not to set the high-level period.

ICBRH counts the high-level period with the internal reference clock source (IIC ϕ) specified by the CKS[2:0] bits in ICMR1.

If the digital noise filter is enabled (the NFE bit in ICFER is 1), set the ICBRH register to a value at least one greater than the number of stages in the noise filter. Regarding the number of stages in the noise filter, see the description of the ICMR3.NF[1:0] bits.

The I²C transfer rate and the SCL clock duty are calculated using the following expression.

$$\text{Transfer rate} = 1 / \{ [(ICBRH + 1) + (ICBRL + 1)] / IIC\phi + \text{SCL line rising time [tr]} + \text{SCL line falling time [tf]} \}$$

$$\text{Duty cycle} = \{ \text{SCL line rising time [tr]}^2 + (ICBRH + 1) / IIC\phi \} / \{ \text{SCL line falling time [tf]}^2 + (ICBRL + 1) / IIC\phi \}$$

Note 1. IIC ϕ = PCLK \times Division ratio

Note 2. The SCL line rising time [tr] and SCL line falling time [tf] depend on the total bus line capacitance [Cb] and the pull-up resistor [Rp]. For details, see the I²C bus standard from NXP Semiconductors.

Table 30.6 lists examples of ICBRH/ICBRL settings.

Table 30.6 Examples of ICBRH/ICBRL Settings for Transfer Rate

Transfer Rate (kbps)	Operating Frequency PCLK (MHz)								
	8			10			12.5		
	CKS[2:0]	ICBRH	ICBRL	CKS[2:0]	ICBRH	ICBRL	CKS[2:0]	ICBRH	ICBRL
10	100b	22 (F6h)	25 (F9h)	101b	13 (EDh)	15 (EFh)	101b	16 (F0h)	20 (F4h)
50	010b	16 (F0h)	19 (F3h)	010b	21 (F5h)	24 (F8h)	011b	12 (ECh)	15 (EFh)
100	001b	15 (EFh)	18 (F2h)	001b	19 (F3h)	23 (F7h)	001b	24 (F8h)	29 (FDh)
400	000b	4 (E4h)	10 (EAh)	000b	5 (E5h)	12 (ECh)	000b	7 (E7h)	16 (F0h)

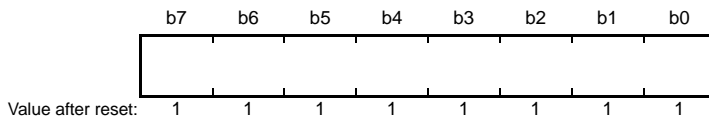
Transfer Rate (kbps)	Operating Frequency PCLK (MHz)								
	16			20			25		
	CKS[2:0]	ICBRH	ICBRL	CKS[2:0]	ICBRH	ICBRL	CKS[2:0]	ICBRH	ICBRL
10	101b	22 (F6h)	25 (F9h)	110b	13 (EDh)	15 (EFh)	110b	16 (F0h)	20 (F4h)
50	011b	16 (F0h)	19 (F3h)	011b	21 (F5h)	24 (F8h)	100b	12 (ECh)	15 (EFh)
100	010b	15 (EFh)	18 (F2h)	010b	19 (F3h)	23 (F7h)	010b	24 (F8h)	29 (FDh)
400	000b	9 (E9h)	20 (F4h)	000b	11 (EBh)	25 (F9h)	001b	7 (E7h)	16 (F0h)

Transfer Rate (kbps)	Operating Frequency PCLK (MHz)		
	30		
	CKS[2:0]	ICBRH	ICBRL
10	110b	20 (F4h)	24 (F8h)
50	100b	15 (EFh)	18 (F2h)
100	010b	2 (E2h)	3 (E3h)
400	001b	8 (E8h)	19 (F3h)

Note: • ICBRH/ICBRL settings in these tables are calculated using the following values:
 SCL line rising time (tr): 100 kbps or less, [Sm]: 1000 ns, 400 kbps or less, [Fm]: 300 ns
 SCL line falling time (tf): 400 kbps or less, [Sm/Fm]: 300 ns
 For the specified values of SCL line rising time (tr) and SCL line falling time (tf), see the I²C bus standard from NXP Semiconductors.

30.2.15 I²C Bus Transmit Data Register (ICDRT)

Address(es): 0008 8312h



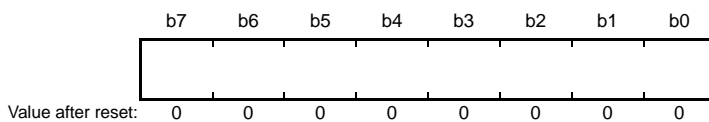
When ICDRT detects a space in the I²C bus shift register (ICDRS), it transfers the transmit data that has been written to ICDRT to ICDRS and starts transmitting data in transmit mode.

The double-buffer structure of ICDRT and ICDRS allows continuous transmit operation if the next transmit data has been written to ICDRT while the ICDRS data is being transmitted.

ICDRT can always be read and written. Write transmit data to ICDRT once when a transmit data empty interrupt (TXI) request is generated.

30.2.16 I²C Bus Receive Data Register (ICDRR)

Address(es): 0008 8313h



When 1 byte of data has been received, the received data is transferred from the I²C bus shift register (ICDRS) to ICDRR to enable the next data to be received.

The double-buffer structure of ICDRS and ICDRR allows continuous receive operation if the received data has been read from ICDRR while ICDRS is receiving data.

ICDRR cannot be written. Read data from ICDRR once when a receive data full interrupt (RXI) request is generated.

If ICDRR receives the next receive data before the current data is read from ICDRR (while the RDRF flag in ICSR2 is 1), the RIIC automatically holds the SCL clock low one cycle before the RDRF flag is set to 1 next.

30.2.17 I²C Bus Shift Register (ICDRS)



ICDRS is an 8-bit shift register to transmit and receive data.

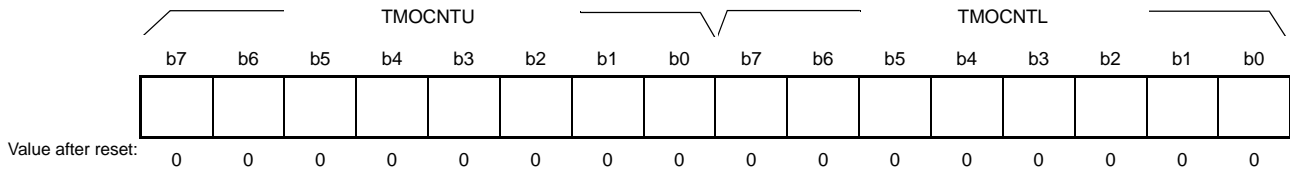
During transmission, transmit data is transferred from ICDRT to ICDRS and is sent from the SDA pin. During reception, data is transferred from ICDRS to ICDRR after 1 byte of data has been received.

ICDRS cannot be accessed directly.

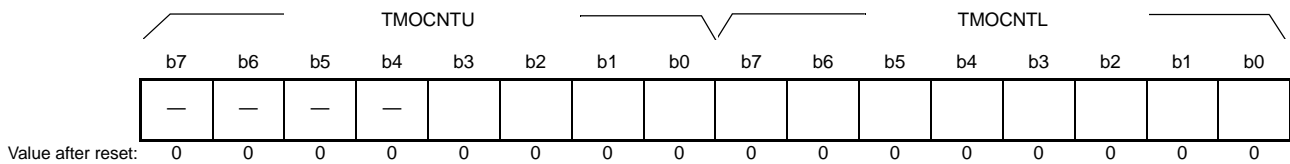
30.2.18 Timeout internal counter (TMOCNT)

Address(es): RIIC0.TMOCNTL 0008 830Ah, RIIC0.TMOCNTU 0008 830Bh

- TMOS = 0 (Long mode)



- TMOS = 1 (Short mode)



Note: • Same address with ones of the slave address registers, SARL0,SARU0. Care should be taken.

- TMOCNTL register

Bit	Symbol	Bit Name	Description	R/W
b7 to b0	TMOCNTL	Timeout internal counter	Timeout internal counter low-order	W*1

Note 1. Value in timeout internal counter cannot be read. When value is read, the read value is FFh.

- TMOCNTU register

Bit	Symbol	Bit Name	Description	R/W
b7 to b0	TMOCNTU	Timeout internal counter	Timeout internal counter high-order*1	W*2

Note 1. When TMOS = 1 (short mode), bits b7 to b4 are reserved bits. They are writable. However, the value written is disabled.

Note 2. Value in timeout internal counter cannot be read. When value is read, the read value is FFh.

The timeout internal counter (TMOCNTL/TMOCNTU) is initialized (TMOCNTL = 00h, TMOCNTU = 00h) after a reset, while ICCR1.IICRST = 1 or ICFER.TMOE = 1 and PCLK/1 is selected with ICMR1.CKS[2:0] = 000b setting, and when the counter clear conditions specified by the ICMR2.TMOH/TMOL bit (SCL rising edge/falling edge detection) are met.

The TMOCNTL and TMOCNTU counters can be accessed as 16-bit registers in 16-bit units.

30.3 Operation

30.3.1 Communication Data Format

The I²C bus format consists of 8-bit data and 1-bit acknowledge. The frame following a start condition or restart condition is an address frame used to specify a slave device with which the master device communicates. The specified slave is valid until a new slave is specified or a stop condition is issued.

Figure 30.3 shows the I²C bus format, and Figure 30.4 shows the I²C bus timing.

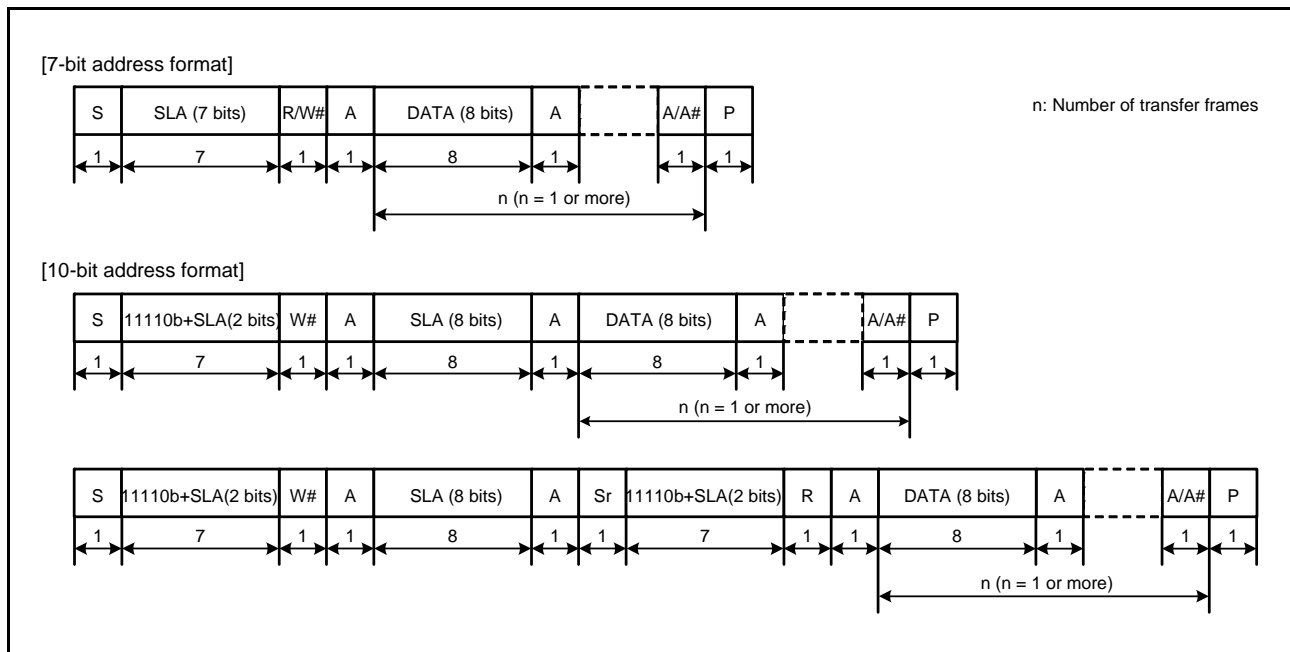


Figure 30.3 I²C Bus Format

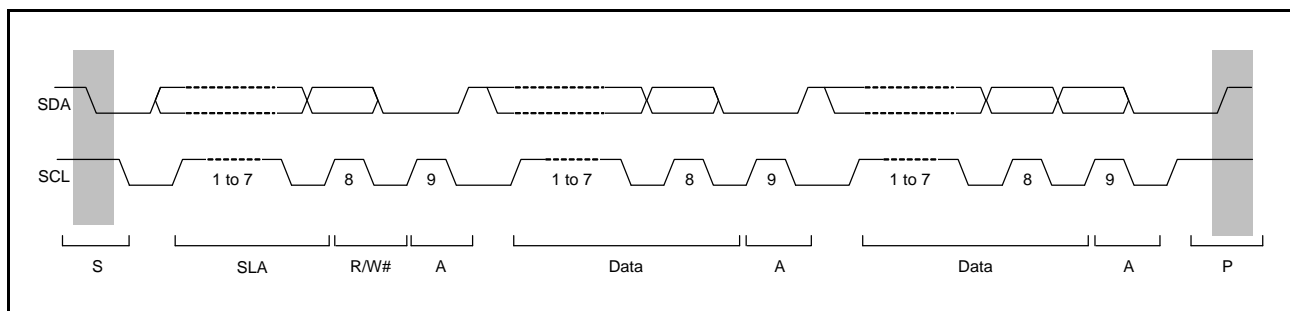


Figure 30.4 I²C Bus Timing (SLA = 7 Bits)

- S: Start condition. The master device drives the SDA line low from high level while the SCL line is at a high level.
- SLA: Slave address, by which the master device selects a slave device.
- R/W#: Indicates the direction of data transfer: from the slave device to the master device when R/W is 1, or from the master device to the slave device when R/W is 0.
- A: Acknowledge. The receive device drives the SDA line low. (In master transmit mode, the slave device returns acknowledge. In master receive mode, the master device returns acknowledge.)
- Sr: Restart condition. The master device drives the SDA line low from the high level after the setup time has elapsed with the SCL line at the high level.
- DATA: Transmitted or received data
- P: Stop condition. The master device drives the SDA line high from low level while the SCL line is at a high level.

30.3.2 Initial Settings

Before starting data transmission and reception, initialize the RIIC according to the procedure in Figure 30.5.

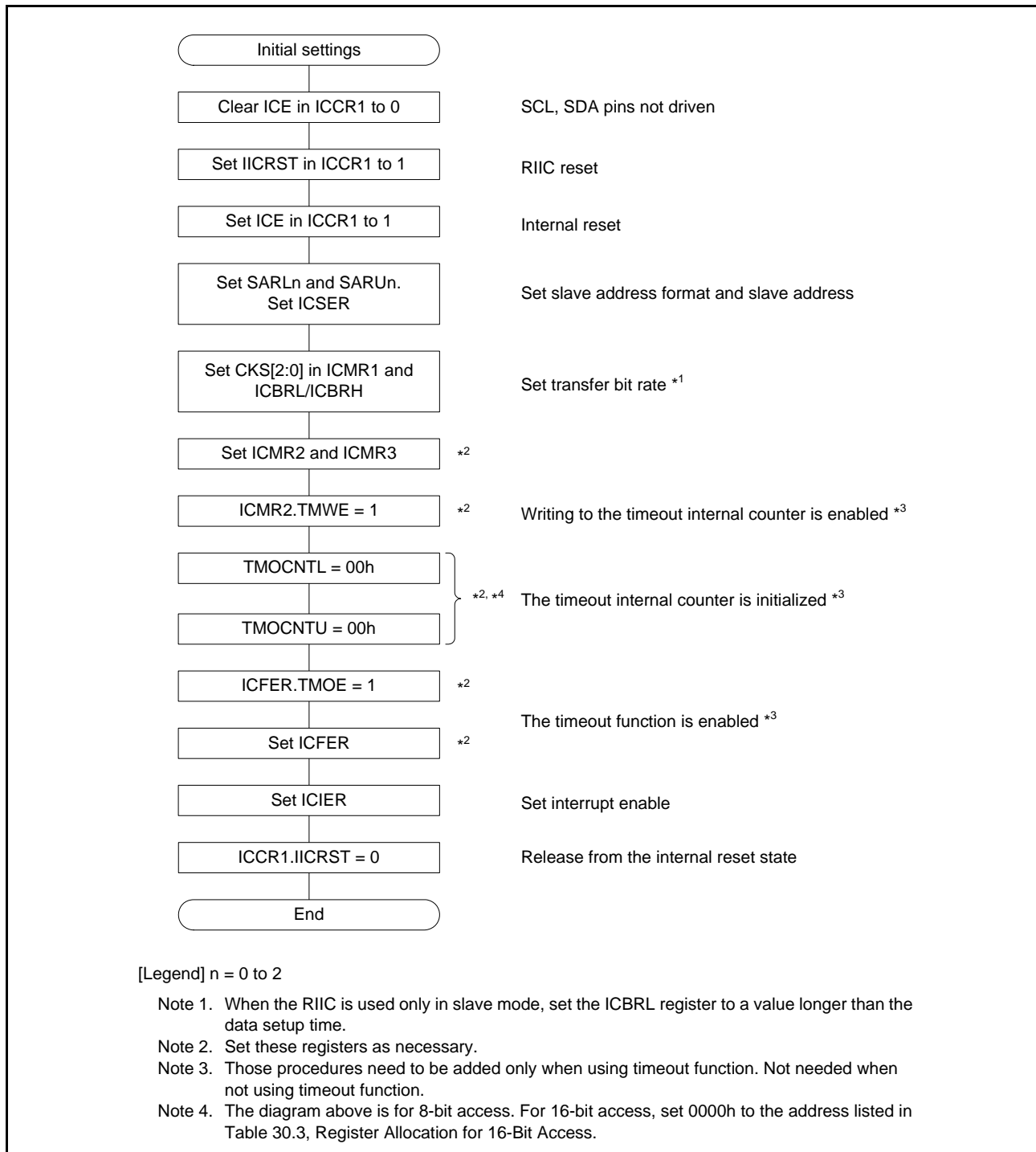


Figure 30.5 Example of RIIC Initialization Flowchart

30.3.3 Master Transmit Operation

In master transmit operation, the RIIC outputs the SCL (clock) and transmitted data signals as the master device, and the slave device returns acknowledgements. Figure 30.6 shows an example of usage of master transmission and Figure 30.7 to Figure 30.9 show the timing of operations in master transmission.

The following describes the procedure and operations for master transmission.

- (1) Set the ICCR1.ICE bit to 1 (internal reset) after setting the ICCR1.IICRST bit to 1 (RIIC reset) with the ICCR1.ICE bit cleared to 0 (SCL and SDA pins in inactive state). This initializes the various flags and internal state of ICSR1. After that, set registers SARLy, SARUy, ICSEr, ICMR1, ICBRH, and ICBRL (y = 0 to 2), and set the other registers as necessary (for initial settings of the RIIC, see Figure 30.5). When the necessary register settings have been completed, clear the ICCR1.IICRST bit to 0 (to release the reset state). This step is not necessary if initialization of the RIIC has already been completed.
- (2) Read the BBSY flag in ICCR2 to check that the bus is open, and then set the ST bit in ICCR2 to 1 (start condition issuance request). Upon receiving the request, the RIIC issues a start condition. At the same time, the BBSY flag and the START flag in ICSR2 are automatically set to 1 and the ST bit is automatically cleared to 0. At this time, if the start condition is detected and the internal levels for the SDA output state and the levels on the SDA line have matched while the ST bit is 1, the RIIC recognizes that issuing of the start condition as requested by the ST bit has been successfully completed, and the MST and TRS bits in ICCR2 are automatically set to 1, placing the RIIC in master transmit mode. The TDRE flag in ICSR2 is also automatically set to 1 in response to setting of the TRS bit to 1.
- (3) Check that the TDRE flag in ICSR2 is 1, and then write the value for transmission (the slave address and the R/W# bit) to ICDRT. Once the data for transmission are written to ICDRT, the TDRE flag is automatically cleared to 0, the data are transferred from ICDRT to ICDRS, and the TDRE flag is again set to 1. After the byte containing the slave address and R/W# bit has been transmitted, the value of the TRS bit is automatically updated to select master transmit or master receive mode in accord with the value of the transmitted R/W# bit. If the value of the R/W# bit was 0, the RIIC continues in master transmit mode.
 Since the ICSR2.NACKF flag being 1 at this time indicates that no slave device recognized the address or there was an error in communications, write 1 to the ICCR2.SP bit to issue a stop condition.
 For data transmission with an address in the 10-bit format, start by writing 1111 0b, the two higher-order bits of the slave address, and W to ICDRT as the first address transmission. Then, as the second address transmission, write the eight lower-order bits of the slave address to ICDRT.
- (4) After confirming that the TDRE flag in ICSR2 is 1, write the data for transmission to the ICDRT register. The RIIC automatically holds the SCL line low until the data for transmission are ready or a stop condition is issued.
- (5) After all bytes of data for transmission have been written to the ICDRT register, wait until the value of the TEND flag in ICSR2 returns to 1, and then set the SP bit in ICCR2 to 1 (stop condition issuance request). Upon receiving a stop condition issuance request, the RIIC issues the stop condition.
- (6) Upon detecting the stop condition, the RIIC automatically clears the MST and TRS bits in ICCR2 to 00b and enters slave receive mode. Furthermore, it automatically clears the TDRE and TEND flags to 0, and sets the STOP flag in ICSR2 to 1.
- (7) After checking that the ICSR2.STOP flag is 1, clear the ICSR2.NACKF and STOP flags to 0 for the next transfer operation.

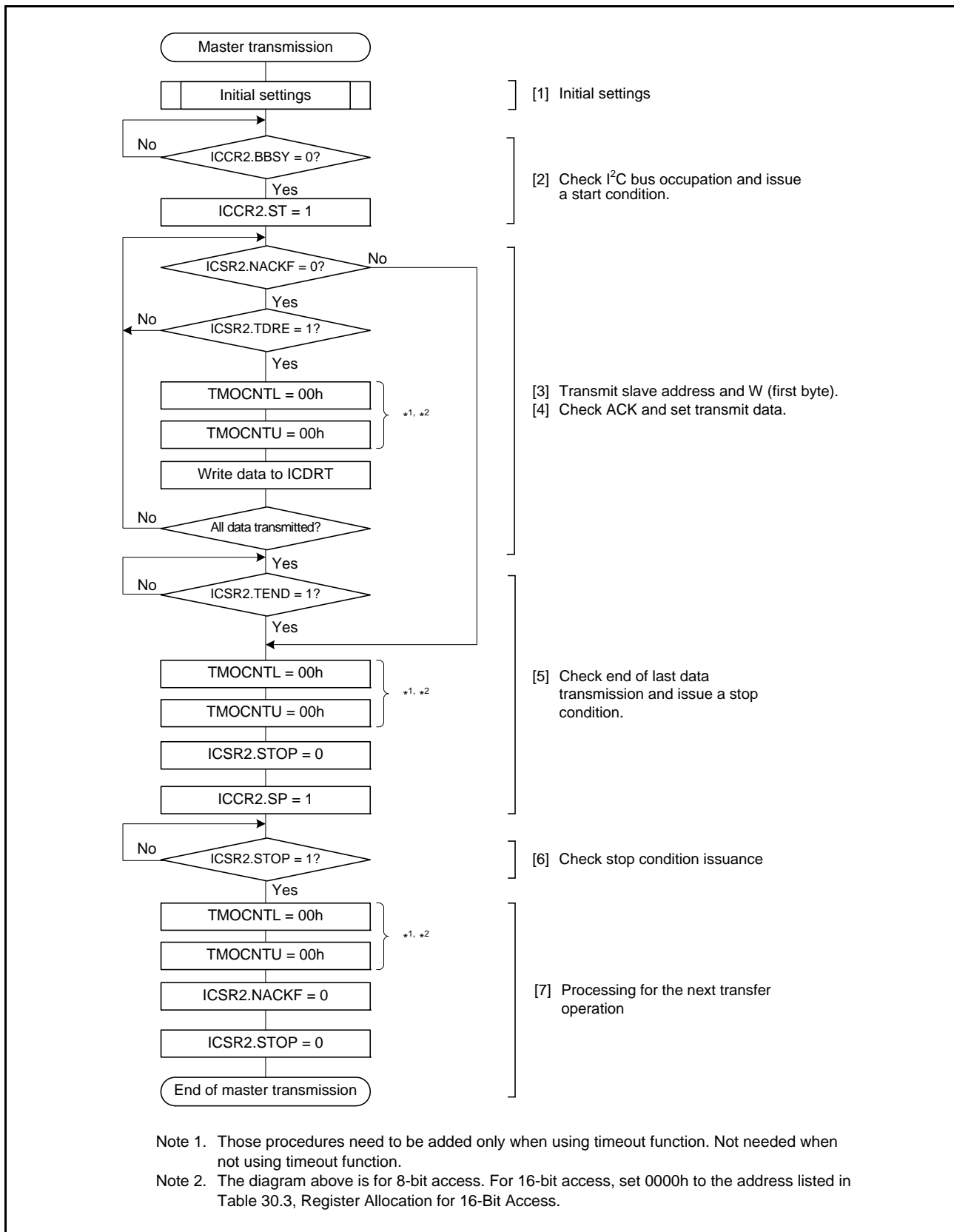


Figure 30.6 Example of Master Transmission Flowchart

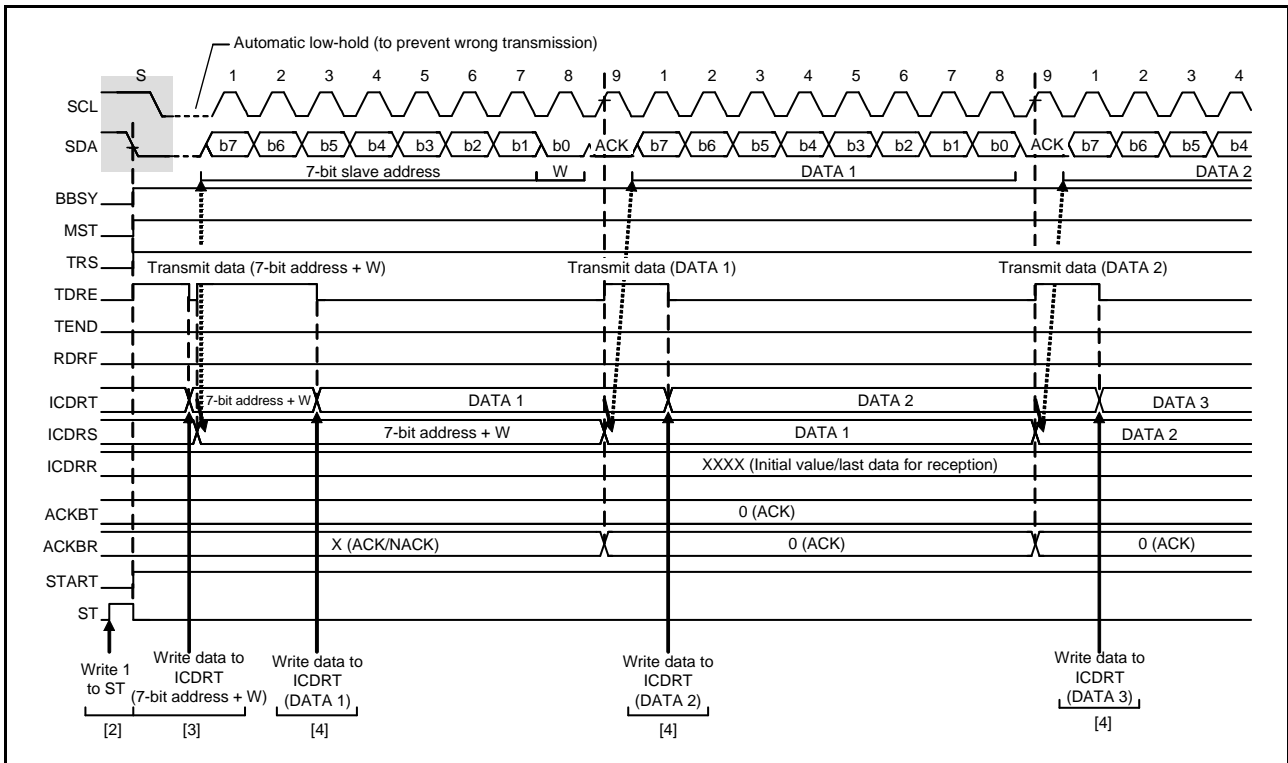


Figure 30.7 Master Transmit Operation Timing (1) (7-Bit Address Format)

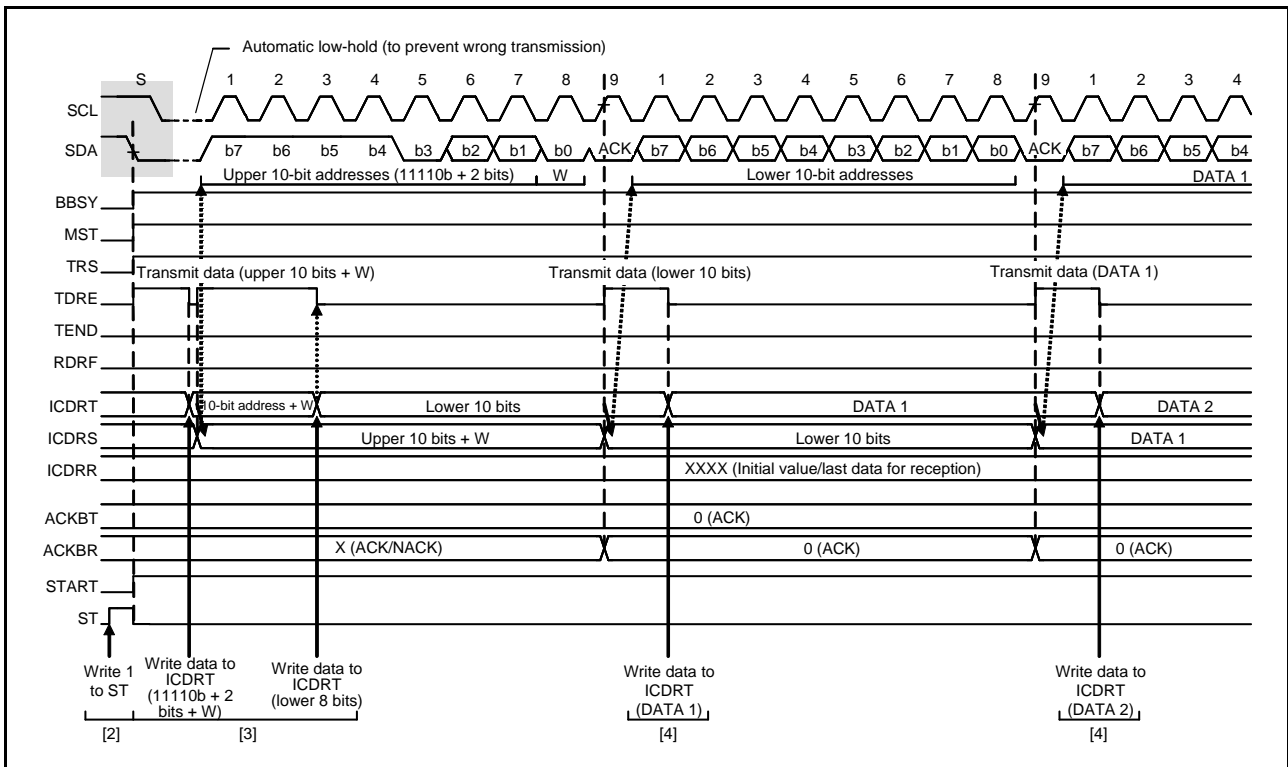


Figure 30.8 Master Transmit Operation Timing (2) (10-Bit Address Format)

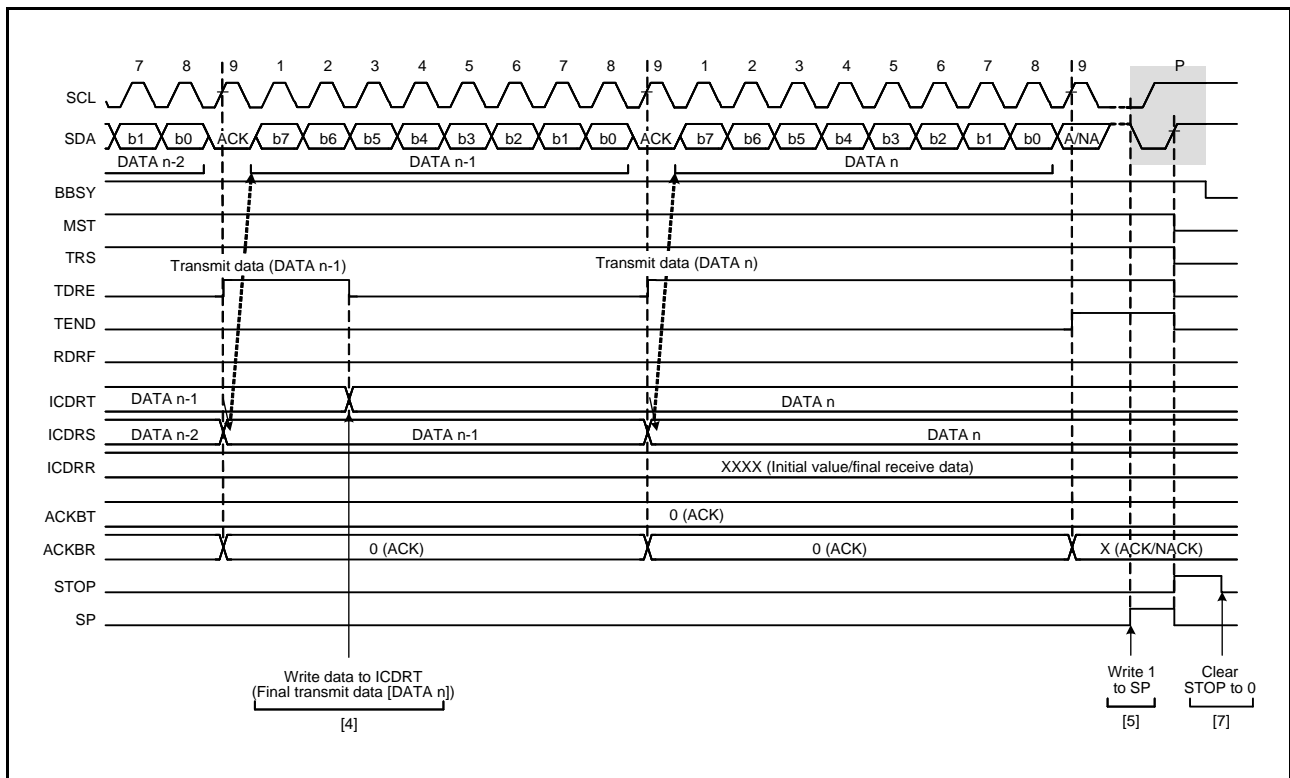


Figure 30.9 Master Transmit Operation Timing (3)

30.3.4 Master Receive Operation

In master receive operation, the RIIC as a master device outputs the SCL (clock) signal, receives data from the slave device, and returns acknowledgements. Since the RIIC must start by sending a slave address to the corresponding slave device, this part of the procedure is performed in master transmit mode, but the subsequent steps are in master receive mode.

Figure 30.11 shows an example of usage of master reception and Figure 30.12 and Figure 30.14 show the timing of operations in master reception.

The following describes the procedure and operations for master reception.

- (1) Set the ICCR1.ICE bit to 1 (internal reset) after setting the ICCR1.IICRST bit to 1 (RIIC reset) with the ICCR1.ICE bit cleared to 0 (SCL and SDA pins in inactive state). This initializes the various flags and internal state of ICSR1. After that, set registers SARLy, SARUy, ICSEr, ICMR1, ICBRH, and ICBRL (y = 0 to 2), and set the other registers as necessary (for initial settings of the RIIC, see Figure 30.5). When the necessary register settings have been completed, clear the ICCR1.IICRST bit to 0 (to release the reset state). This step is not necessary if initialization of the RIIC has already been completed.
- (2) Read the BBSY flag in ICCR2 to check that the bus is open, and then set the ST bit in ICCR2 to 1 (start condition issuance request). Upon receiving the request, the RIIC issues a start condition. When the RIIC detects the start condition, the BBSY flag and the START flag in ICSR2 are automatically set to 1 and the ST bit is automatically cleared to 0. At this time, if the start condition is detected and the levels for the SDA output and the levels on the SDA line have matched while the ST bit is 1, the RIIC recognizes that issuing of the start condition as requested by the ST bit has been successfully completed, and the MST and TRS bits in ICCR2 are automatically set to 1, placing the RIIC in master transmit mode. The TDRE flag in ICSR2 is also automatically set to 1 in response to setting of the TRS bit to 1.
- (3) Check that the TDRE flag in ICSR2 is 1, and then write the value for transmission (the first byte indicates the slave address and value of the R/W# bit) to ICDRT. Once the data for transmission are written to ICDRT, the TDRE flag is automatically cleared to 0, the data are transferred from ICDRT to ICDRS, and the TDRE flag is again set to 1. Once the byte containing the slave address and R/W# bit has been transmitted, the value of the ICCR2.TRS bit is automatically updated to select transmit or receive mode in accord with the value of the transmitted R/W# bit. If the value of the R/W# bit was 1, the TRS bit is cleared to 0 on the rising edge of the ninth cycle of SCL (the clock signal), placing the RIIC in master receive mode. At this time, the TDRE flag is automatically cleared to 0 and the ICSR2.RDRF flag is automatically set to 1.

Since the ICSR2.NACKF flag being 1 at this time indicates that no slave device recognized the address or there was an error in communications, write 1 to the ICCR2.SP bit to issue a stop condition.

For master reception from a device with a 10-bit address, start by using master transmission to issue the 10-bit address, and then issue a restart condition. After that, transmitting 1111 0b, the two higher-order bits of the slave address, and the R bit places the RIIC in master receive mode.

- (4) Dummy read ICDRR after confirming that the RDRF flag in ICSR2 is 1; this makes the RIIC start output of the SCL (clock) signal and start data reception.
- (5) After 1 byte of data has been received, the RDRF flag in ICSR2 is set to 1 on the rising edge of the eighth or ninth cycle of SCL clock (the clock signal) as selected by the RDRFS bit in ICMR3. Reading out ICDRR at this time will produce the received data, and the RDRF flag is automatically cleared to 0 at the same time. Furthermore, the value of the acknowledgement field received during the ninth cycle of SCL clock is returned as the value set in the ACKBT bit of ICMR3. Furthermore, if the next byte to be received is the next to last byte, set the ICMR3.WAIT bit to 1 (for wait insertion) before reading the ICDRR (containing the second byte from last). As well as enabling NACK output even in the case of delays in processing to set the ICMR3.ACKBT bit to 1 (NACK) in step (6), due to other interrupts, etc., this fixes the SCL line to the low level on the rising edge of the ninth clock cycle in reception of the last byte, so the state is such that issuing a stop condition is possible.
- (6) When the ICMR3.RDRFS bit is 0 and the slave device must be notified that it is to end transfer for data reception after transfer of the next (final) byte, set the ACKBT bit in ICMR3 to 1 (NACK).

- (7) After reading out the byte before last from the ICDRR register, if the value of the ICSR2.RDRF flag is confirmed to be 1, write 1 to the SP bit in ICCR2 (stop condition issuance request) and then read the last byte from ICDRR. When ICDRR is read, the RIIC is released from the wait state and issues the stop condition after low-level output in the ninth clock cycle is completed or the SCL line is released from the low-hold state.
- (8) Upon detecting the stop condition, the RIIC automatically clears the MST and TRS bits in ICCR2 to 00b and enters slave receive mode. Furthermore, detection of the stop condition leads to setting of the STOP flag in ICSR2 to 1.
- (9) After checking that the ICSR2.STOP flag is 1, clear the ICSR2.NACKF and STOP flags to 0 for the next transfer operation.

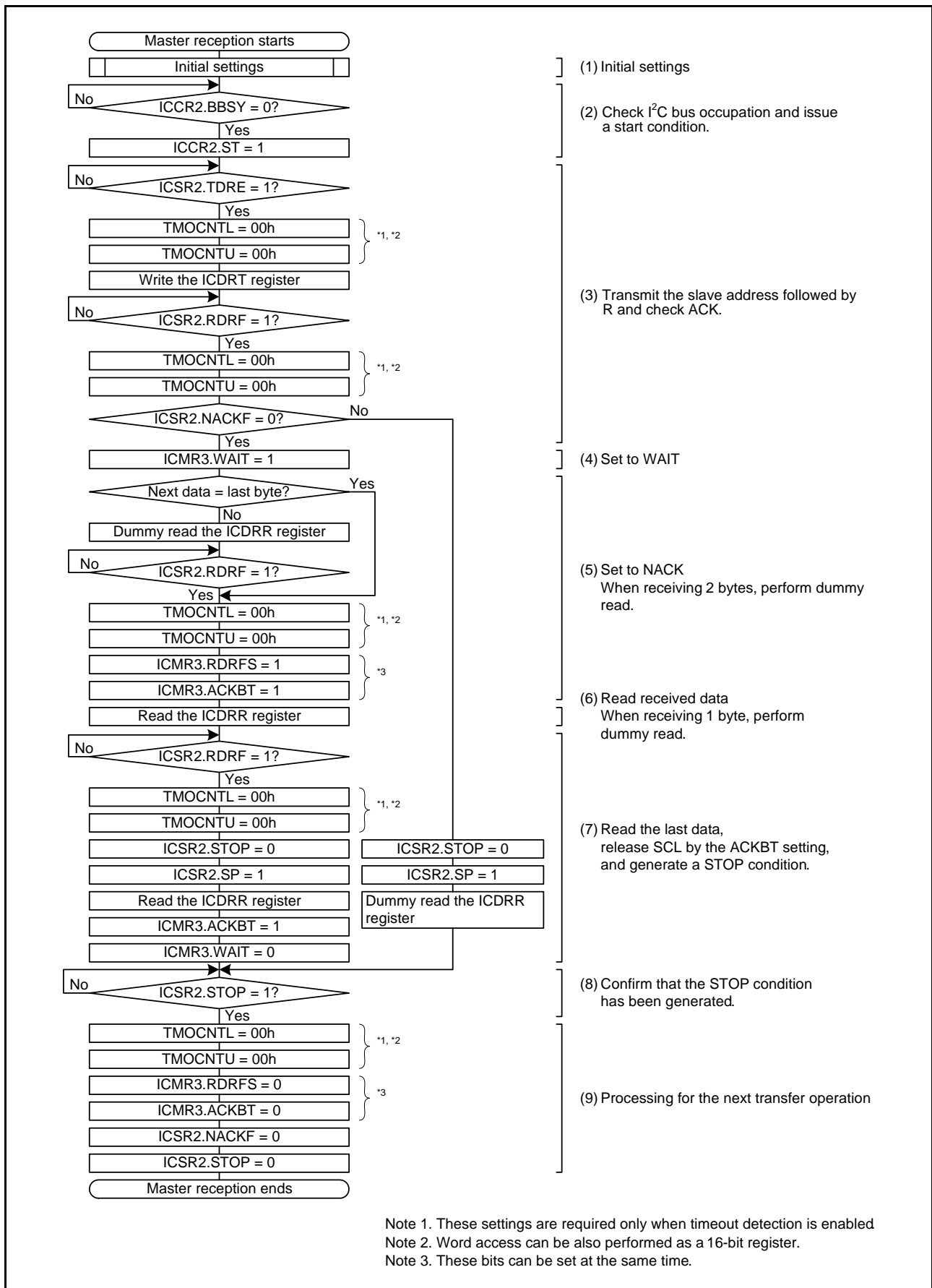


Figure 30.10 Example of Master Reception (7-Bit Address Format, 1 or 2 bytes)

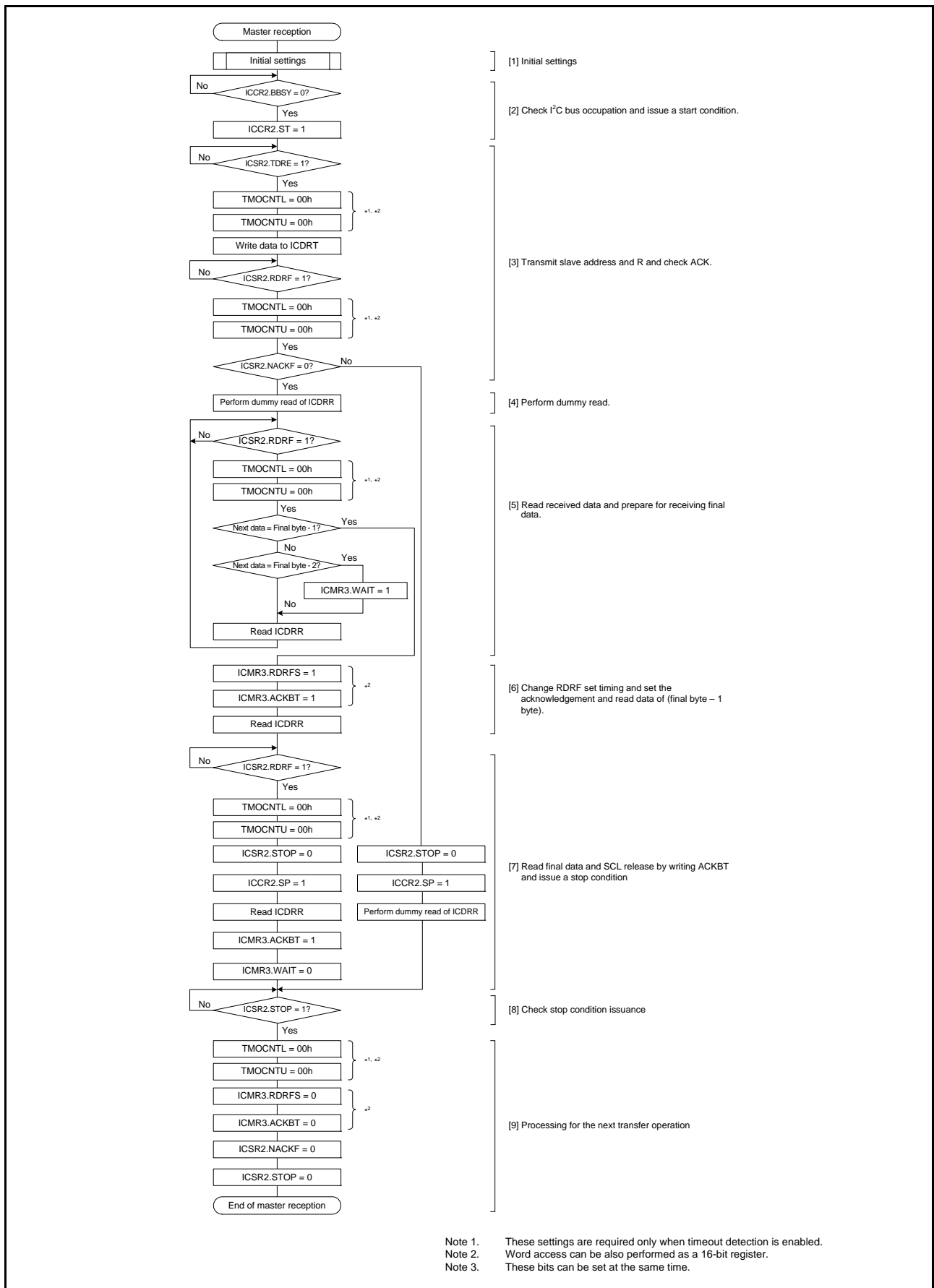


Figure 30.11 Example of Master Reception (7-Bit Address Format, 3 Bytes or More)

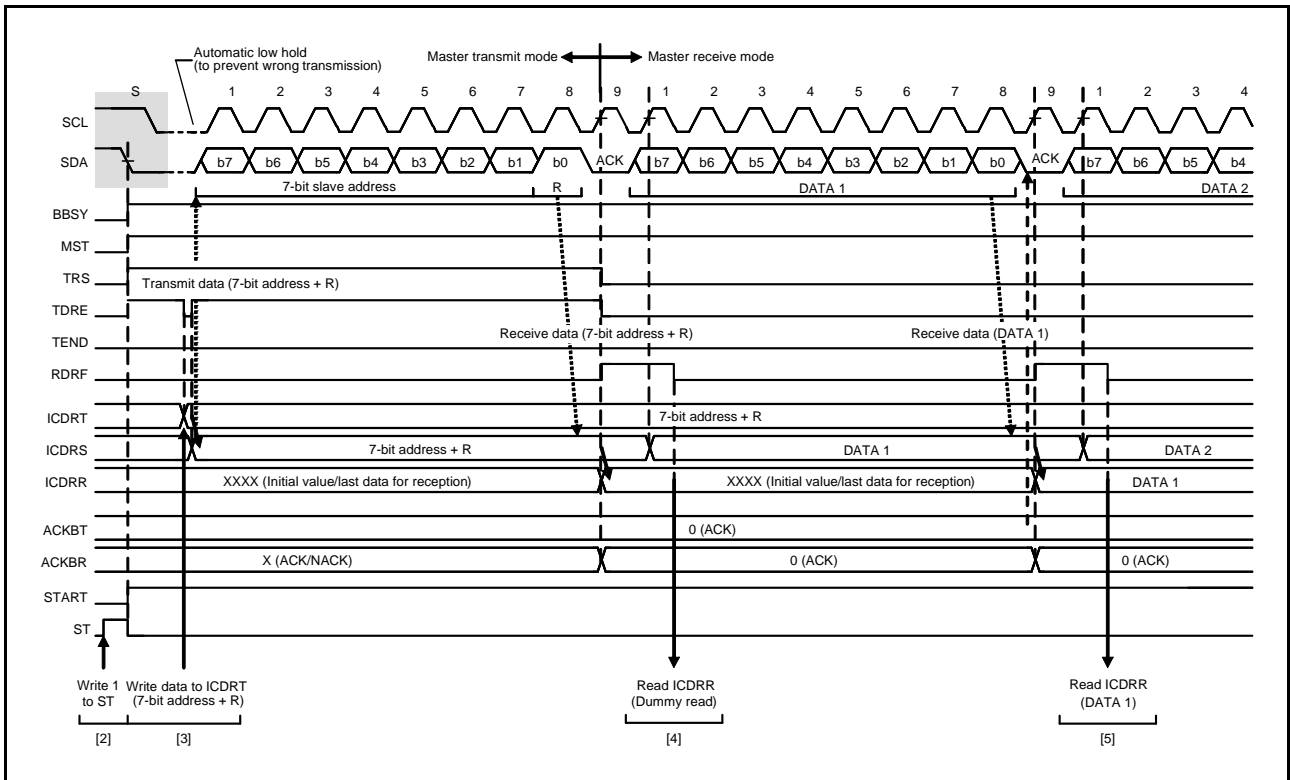


Figure 30.12 Master Receive Operation Timing (1) (7-Bit Address Format, when RDRFS = 0)

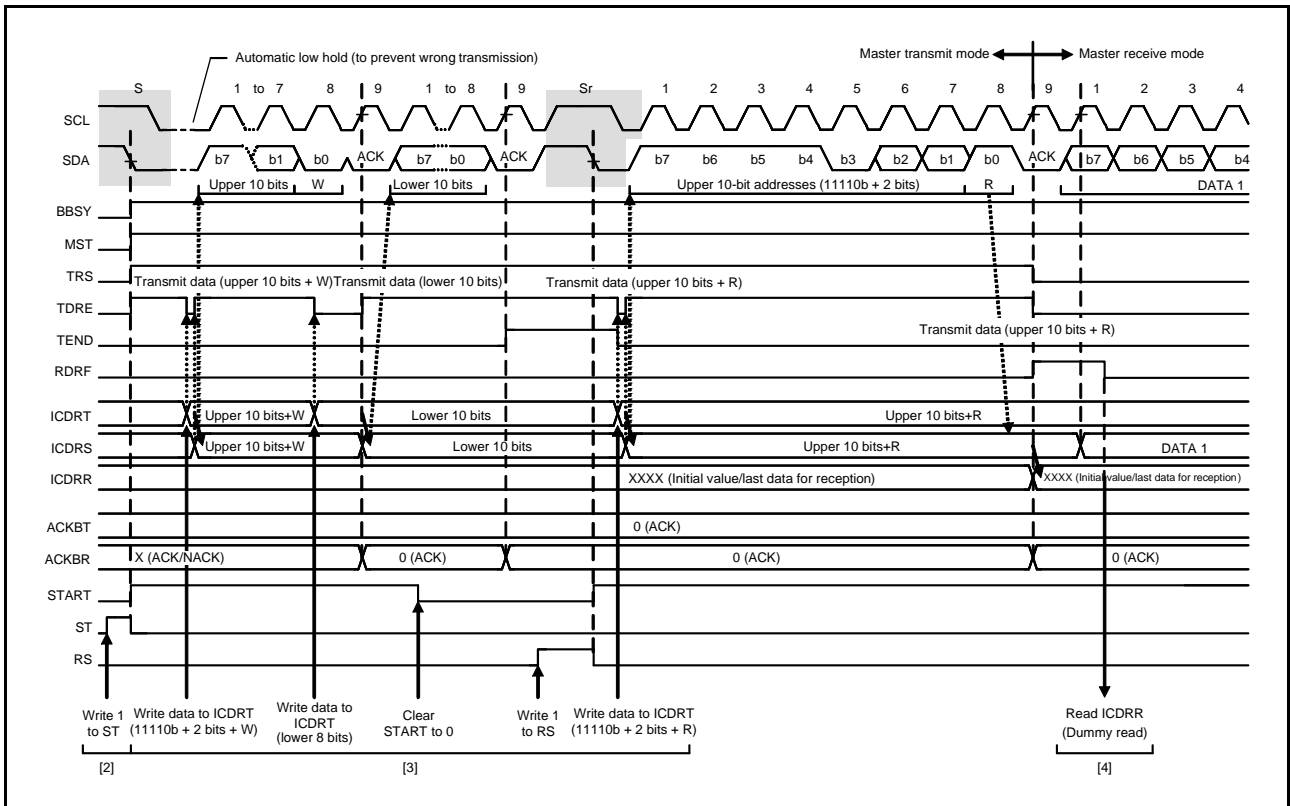


Figure 30.13 Master Receive Operation Timing (2) (10-Bit Address Format, when RDRFS = 0)

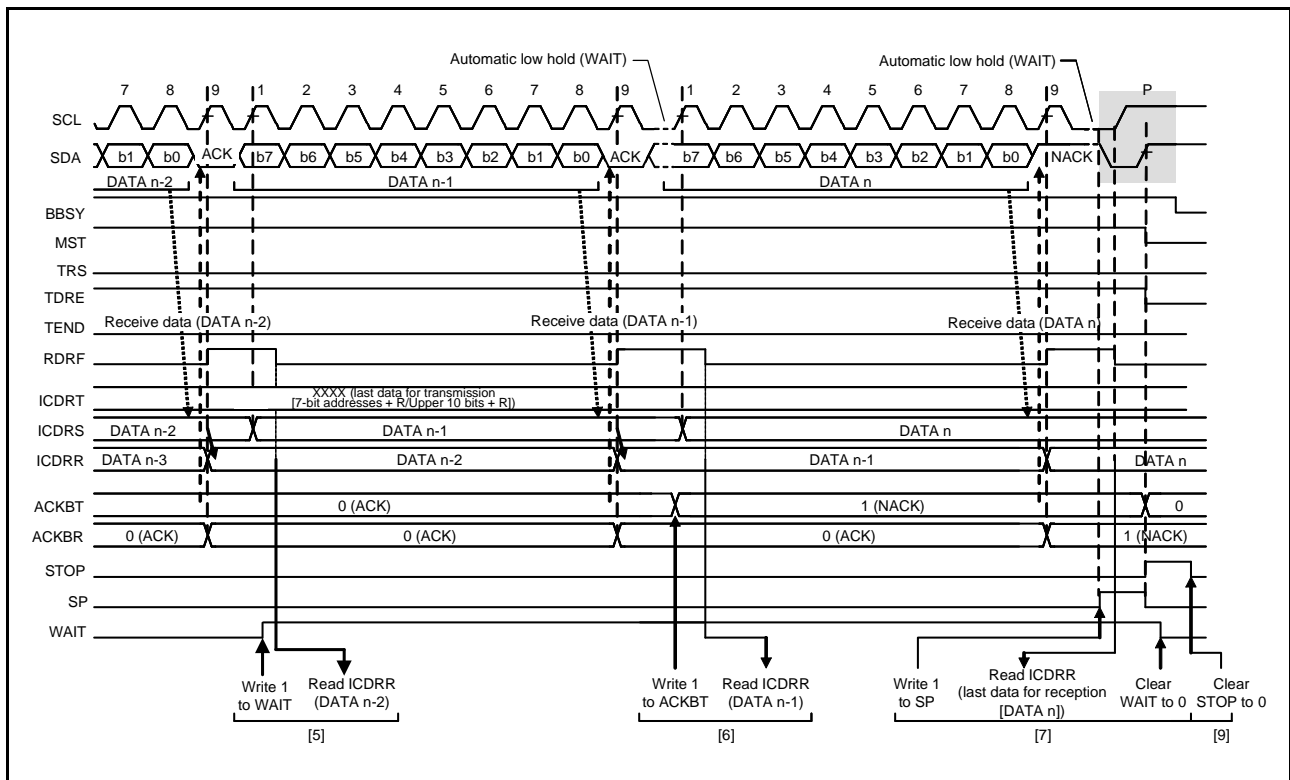


Figure 30.14 Master Receive Operation Timing (3) (when RDRFS = 0)

30.3.5 Slave Transmit Operation

In slave transmit operation, the master device outputs the SCL (clock) signal, the RIIC transmits data as a slave device, and the master device returns acknowledgements.

Figure 30.15 shows an example of usage of slave transmission and Figure 30.16 and Figure 30.17 show the timing of operations in slave transmission.

The following describes the procedure and operations for slave transmission.

- (1) Follow the procedure in Figure 30.5 to make initial settings for the RIIC. This step is not necessary if initialization of the RIIC has already been completed. After initial settings, the RIIC will stay in the standby state until it receives a slave address that it matches.
- (2) After receiving a matching slave address, the RIIC sets one of the corresponding bits ICSR1.HOA, GCA, and AAS_y (y = 0 to 2) to 1 on the rising edge of the ninth cycle of SCL clock (the clock signal) and outputs the value set in the ICMR3.ACKBT bit to the acknowledge bit on the ninth cycle of SCL clock. If the value of the R/W# bit that was also received at this time is 1, the RIIC automatically places itself in slave transmit mode by setting both the TRS bit and the TDRE flag in ICSR2 to 1.
- (3) After the ICSR2.TEND flag is confirmed to be 1, write the data for transmission to the ICDRT register. At this time, if the RIIC receives no acknowledge from the master device (receives an NACK signal) while the ICFER.NACKE bit is 1, the RIIC suspends transfer of the next data.
- (4) Wait until the ICSR2.TEND flag is set to 1 while the ICSR2.TDRE flag is 1, after the ICSR2.NACKF flag is set to 1 or the last byte for transmission is written to the ICDRT register. When the ICSR2.NACKF flag or the TEND flag is 1, the RIIC drives the SCL line low on the ninth falling edge of SCL clock.
- (5) When the ICSR2.NACKF flag or the ICSR2.TEND flag is 1, dummy read ICDRR to complete the processing. This releases the SCL line.
- (6) Upon detecting the stop condition, the RIIC automatically clears bits ICSR1.HOA, GCA, and AAS_y (y = 0 to 2), flags ICSR2.TDRE and TEND, and the ICCR2.TRS bit to 0, and enters slave receive mode.
- (7) After checking that the ICSR2.STOP flag is 1, clear the ICSR2.NACKF and STOP flags to 0 for the next transfer operation.

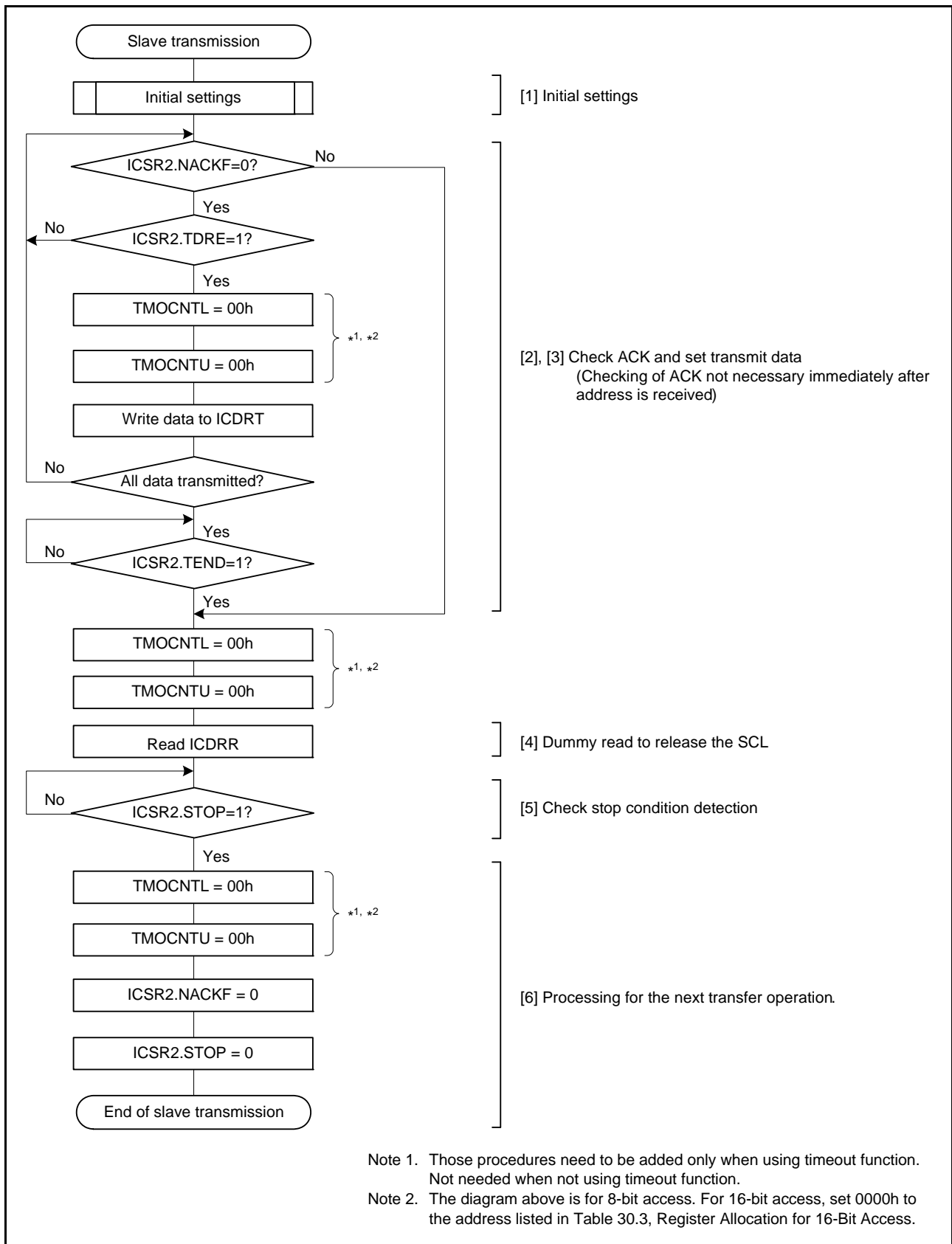


Figure 30.15 Example of Slave Transmission Flowchart

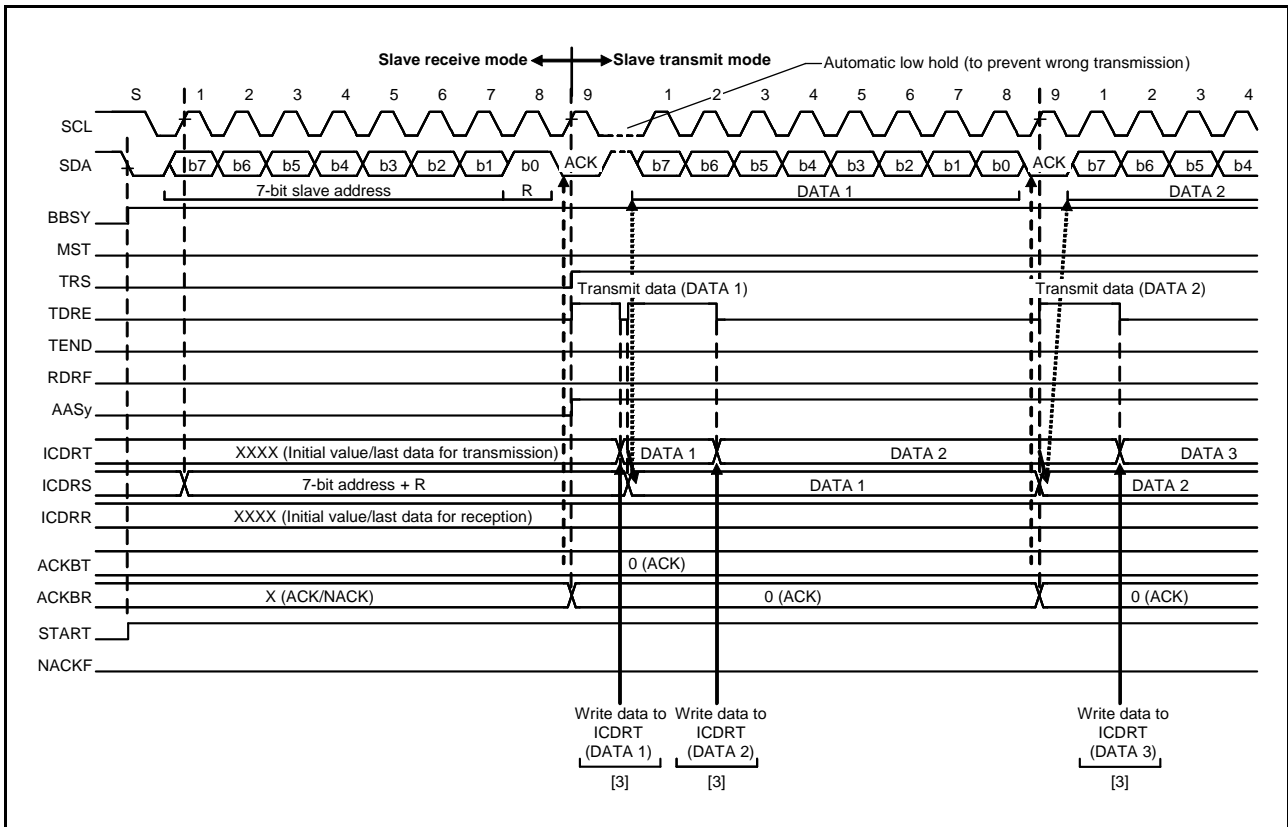


Figure 30.16 Slave Transmit Operation Timing (1) (7-Bit Address Format)

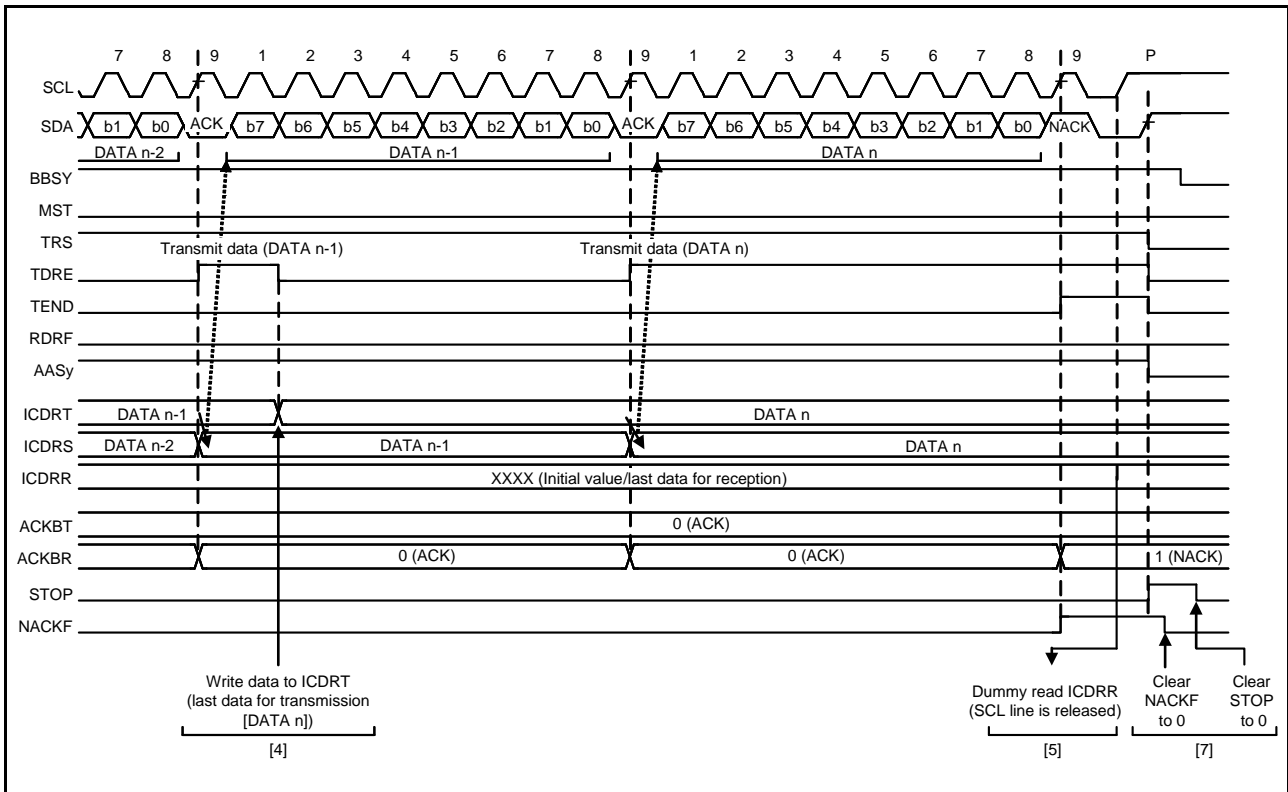


Figure 30.17 Slave Transmit Operation Timing (2)

30.3.6 Slave Receive Operation

In slave receive operation, the master device outputs the SCL clock and transmit data, and the RIIC returns acknowledgements as a slave device.

Figure 30.18 shows an example of usage of slave reception and Figure 30.19 and Figure 30.20 show the timing of operations in slave reception.

The following describes the procedure and operations for slave reception.

- (1) Follow the procedure in Figure 30.5 to make initial settings for the RIIC. This step is not necessary if initialization of the RIIC has already been completed. After initial settings, the RIIC will stay in the standby state until it receives a slave address that it matches.
- (2) After receiving a matching slave address, the RIIC sets one of the corresponding bits ICSR1.HOA, GCA, and AAS_y (y = 0 to 2) to 1 on the rising edge of the ninth cycle of SCL clock (the clock signal) and outputs the value set in the ICMR3.ACKBT bit to the acknowledge bit on the ninth cycle of SCL clock. If the value of the R/W# bit that was also received at this time is 0, the RIIC continues to place itself in slave receive mode and sets the RDRF flag in ICSR2 to 1.
- (3) After the ICSR2.STOP flag is confirmed to be 0 and the ICSR2.RDRF flag to be 1, dummy read ICDRR (the dummy value consists of the slave address and R/W# bit when the 7-bit address format is selected, or the lower eight bits when the 10-bit address format is selected).
- (4) When ICDRR is read, the RIIC automatically clears the ICSR2.RDRF flag to 0. If reading of ICDRR is delayed and a next byte is received while the RDRF flag is still set to 1, the RIIC holds the SCL line low from one SCL cycle before the timing with which RDRF should be set. In this case, reading ICDRR releases the SCL line from being held at the low level.
When the ICSR2.STOP flag is 1 and the ICSR2.RDRF flag is also 1, read ICDRR until all the data is completely received.
- (5) Upon detecting the stop condition, the RIIC automatically clears bits ICSR1.HOA, GCA, and AAS_y (y = 0 to 2) to 0.
- (6) After checking that the ICSR2.STOP flag is 1, clear the ICSR2.STOP flag to 0 for the next transfer operation.

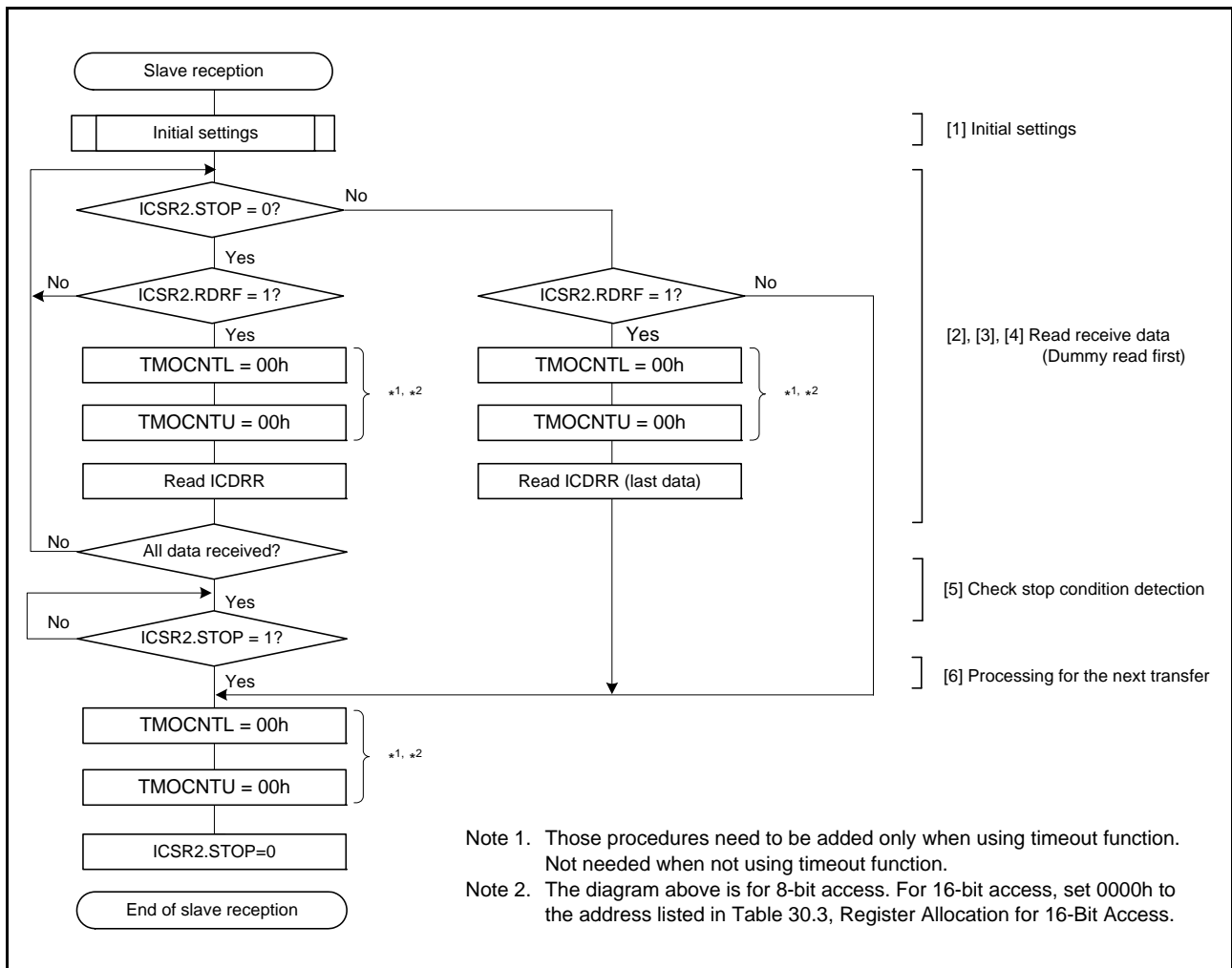


Figure 30.18 Example of Slave Reception Flowchart

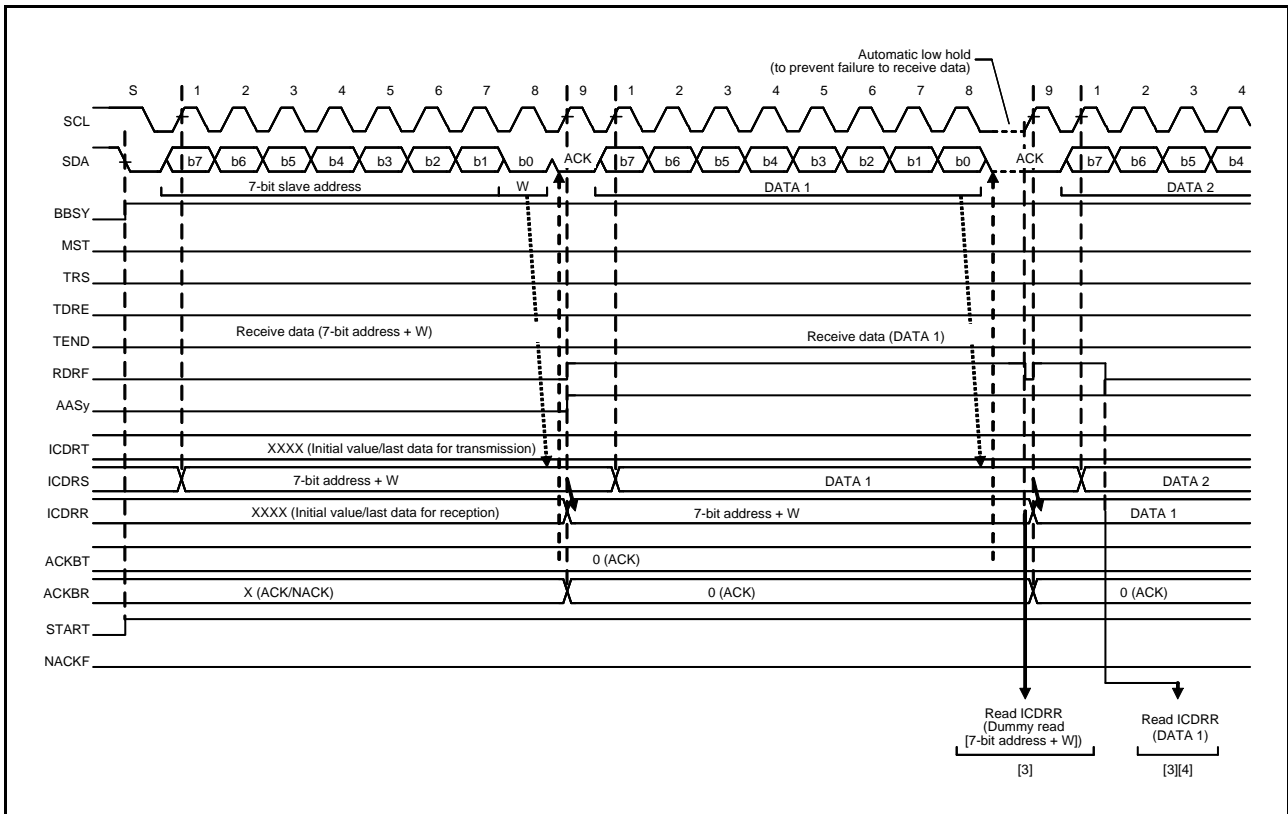


Figure 30.19 Slave Receive Operation Timing (1) (7-Bit Address Format, when RDRFS = 0)

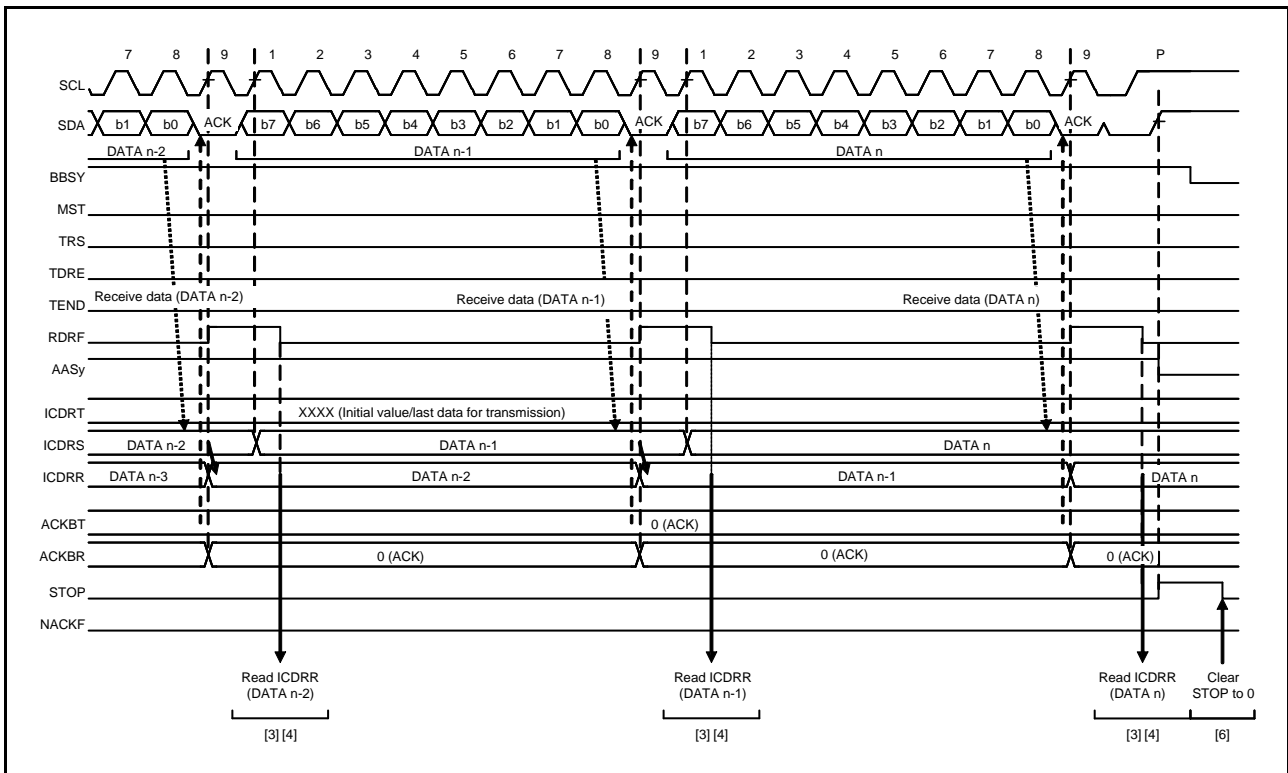


Figure 30.20 Slave Receive Operation Timing (2) (when RDRFS = 0)

30.4 SCL Synchronization Circuit

In generation of the SCL (clock) signal, the RIIC starts counting out the value for width at high level specified in ICBRH when it detects a rising edge on the SCL line and drives the SCL line low once counting of the width at high level is complete. When the RIIC detects the falling edge of the SCL line, it starts counting out the width at low level period specified in ICBRL, and then stops driving the SCL line (releases the line) once counting of the width at low level is complete. The SCL (clock) signal is thus generated.

If multiple master devices are connected to the I²C bus, a collision of SCL signals may arise due to contention with another master device. In such cases, the master devices have to synchronize their SCL signals. Since this synchronization of SCL signals must be bit by bit, the RIIC is equipped with a facility (the SCL synchronization circuit) to obtain bit-by-bit synchronization of the SCL clock signals by monitoring the SCL line while in master mode.

When the RIIC has detected a rising edge on the SCL line and thus started counting out the width at high level specified in ICBRH, and the level on the SCL line falls because an SCL signal is being generated by another master device, the RIIC stops counting when it detects the falling edge, drives the level on the SCL line low, and starts counting out the width at low level specified in ICBRL. When the RIIC finishes counting out the width at low level, it stops driving the SCL line to the low level (i.e. releases the line). At this time, if the width at low level of the SCL clock signal from the other master device is longer than the width at low level set in the RIIC, the width at low level of the SCL signal will be extended. Once the width at low level for the other master device has ended, the SCL signal rises because the SCL line has been released. When the RIIC finishes outputting the low-level period of the SCL clock, the SCL line is released and the SCL clock rises. That is, in cases of contention of SCL signals from more than one master, the width at high level of the SCL signal is synchronized with that of the clock having the narrower width, and the width at low level of the SCL signal is synchronized with that of the clock having the broader width. However, such synchronization of the SCL signal is only enabled when the SCLE bit in ICFER is set to 1.

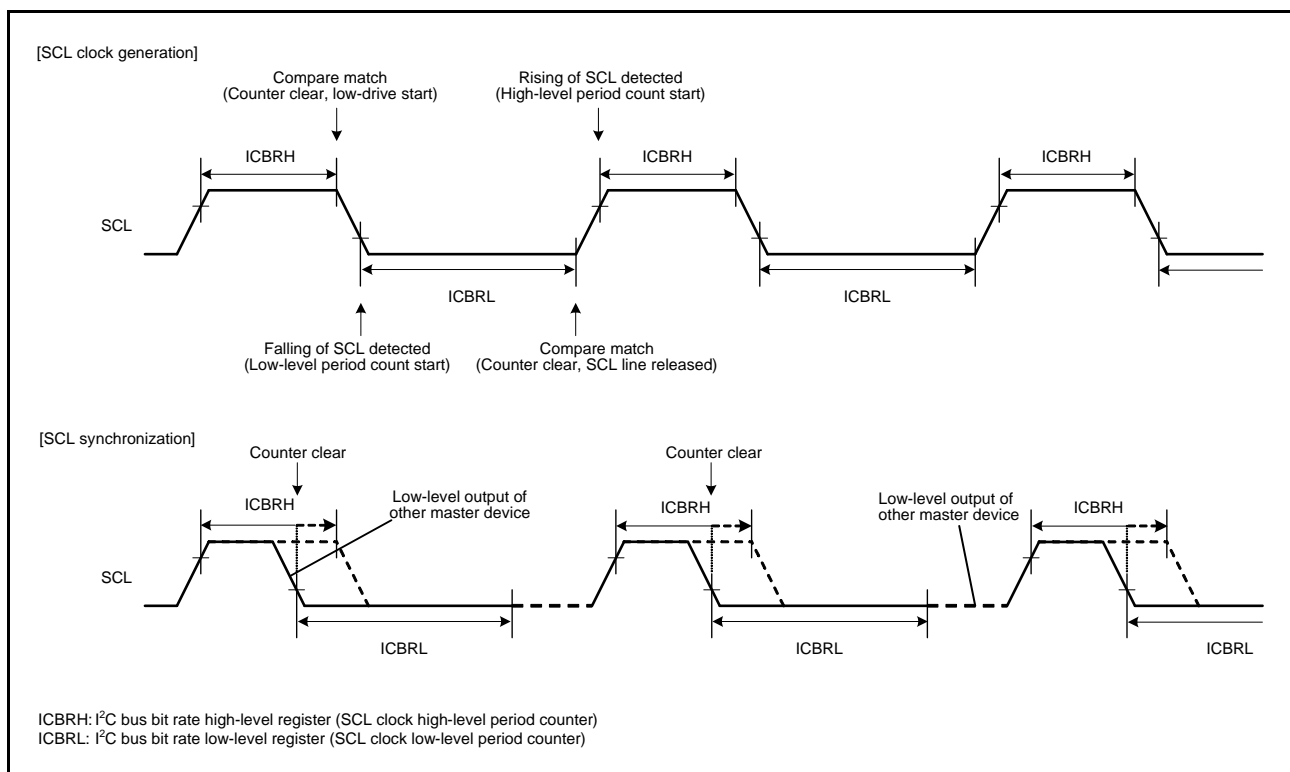


Figure 30.21 Generation and Synchronization of the SCL Signal from the RIIC

30.5 Facility for Delaying SDA Output

The RIIC module incorporates a facility for delaying output on the SDA line. The delay can be applied to all output (issuing of the start, restart, and stop conditions, data, and the ACK and NACK signals) on the SDA line.

With the SDA output delay facility, SDA output is delayed from detection of a falling edge of the SCL signal to ensure that the SDA signal is output within the interval over which the SCL (clock) signal is at the low level. Doing this leads to usage with the aim of preventing erroneous operation of communications devices, with the aim of satisfying the 300-ns (min.) data-hold time requirement of the SMBus specification.

The output delay facility is enabled by setting the SDDL[2:0] bits in ICMR2 to any value other than 000b, and disabled by setting the same bits to 000b.

While the SDA output delay facility is enabled (i.e. while the SDDL[2:0] bits in ICMR2 are set to any value other than 000b), the DLCS bit in ICMR2 selects the clock source for counting by the SDA output delay counter as the internal base clock (IIC ϕ) for the RIIC module or as a clock signal derived by dividing the frequency of the internal base clock by two (IIC ϕ /2). The counter counts the number of cycles set in the SDDL[2:0] bits in ICMR2. After counting of the set number of cycles of delay is completed, the RIIC module places the required output (start, restart, or stop condition, data, or an ACK or NACK signal) on the SDA line.

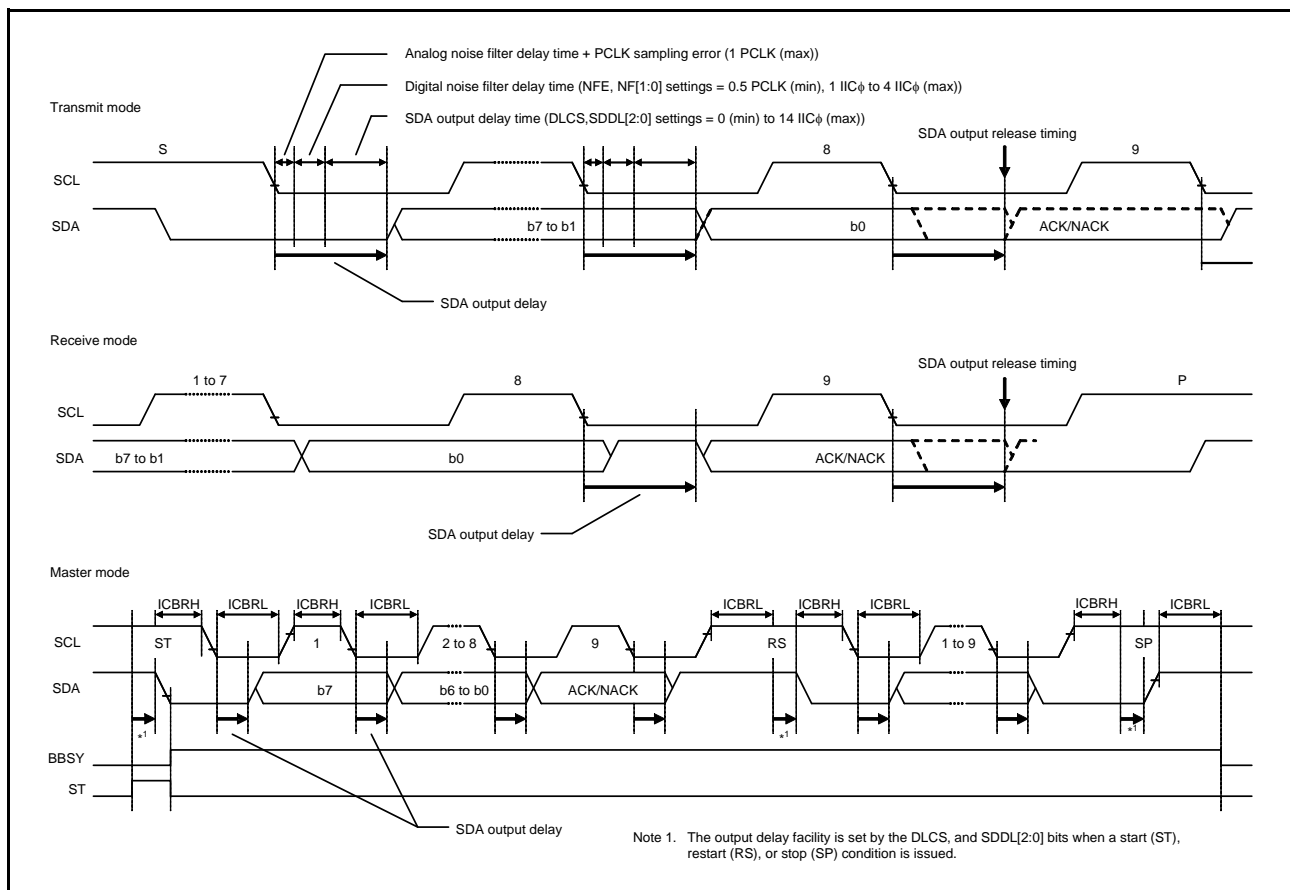


Figure 30.22 SDA Output Delay Facility

30.6 Digital Noise-Filter Circuits

The states of the SCL and SDA pins are conveyed to the internal circuitry through analog noise-filter and digital noise-filter circuits. Figure 30.23 is a block diagram of the digital noise-filter circuit.

The on-chip digital noise-filter circuit of the RIIC consists of four flip-flop circuit stages connected in series and a match-detection circuit.

The number of effective stages in the digital noise filter is selected by the NF[1:0] bits in ICMR3. The selected number of effective stages determines the noise-filtering capability as a period from one to four IIC ϕ cycles.

The input signal to the SCL pin (or SDA pin) is sampled on falling edges of the IIC ϕ signal. When the input signal level matches the output level of the number of effective flip-flop circuit stages as selected by the NF[1:0] bits in ICMR3, the signal level is conveyed to the subsequent stage. If the signal levels do not match, the previous value is retained.

If the ratio between the frequency of the internal operating clock (PCLK) and the transfer rate is small (e.g. data transfer at 400 kbps with PCLK = 4 MHz), the characteristics of the digital noise filter may lead to the elimination of needed signals as noise. In such cases, it is possible to disable the digital noise-filter circuit (by clearing the NFE bit in ICFER) and use only the analog noise-filter circuit.

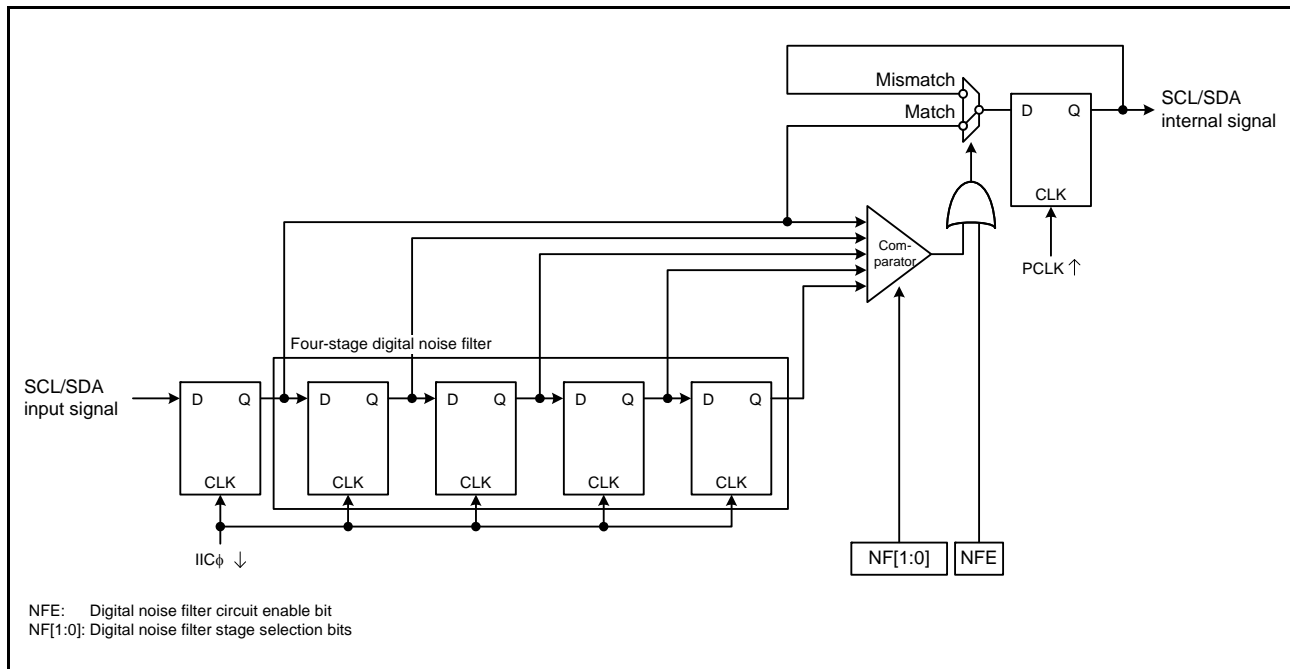


Figure 30.23 Block Diagram of Digital Noise Filter Circuit

30.7 Address Match Detection

The RIIC can set three unique slave addresses in addition to the general call address and host address, and also can set 7-bit or 10-bit slave addresses.

30.7.1 Slave-Address Match Detection

The RIIC can set three unique slave addresses, and has a slave address detection function for each unique slave address. When the SARyE bit (y = 0 to 2) in ICSER is set to 1, the slave addresses set in SARUy and SARLy (y = 0 to 2) can be detected.

When the RIIC detects a match of the set slave address, the corresponding AASy flag (y = 0 to 2) in ICSR1 is set to 1 at the falling edge of the ninth SCL clock cycle, and the RDRF flag in ICSR2 or the TDRE flag in ICSR2 is set to 1 by the following R/W# bit. This causes a receive data full interrupt (RXI) or transmit data empty interrupt (TXI) to be generated. The AASy flag is used to identify which slave address has been specified.

Figure 30.24 to Figure 30.26 show the AASy flag set timing in three cases.

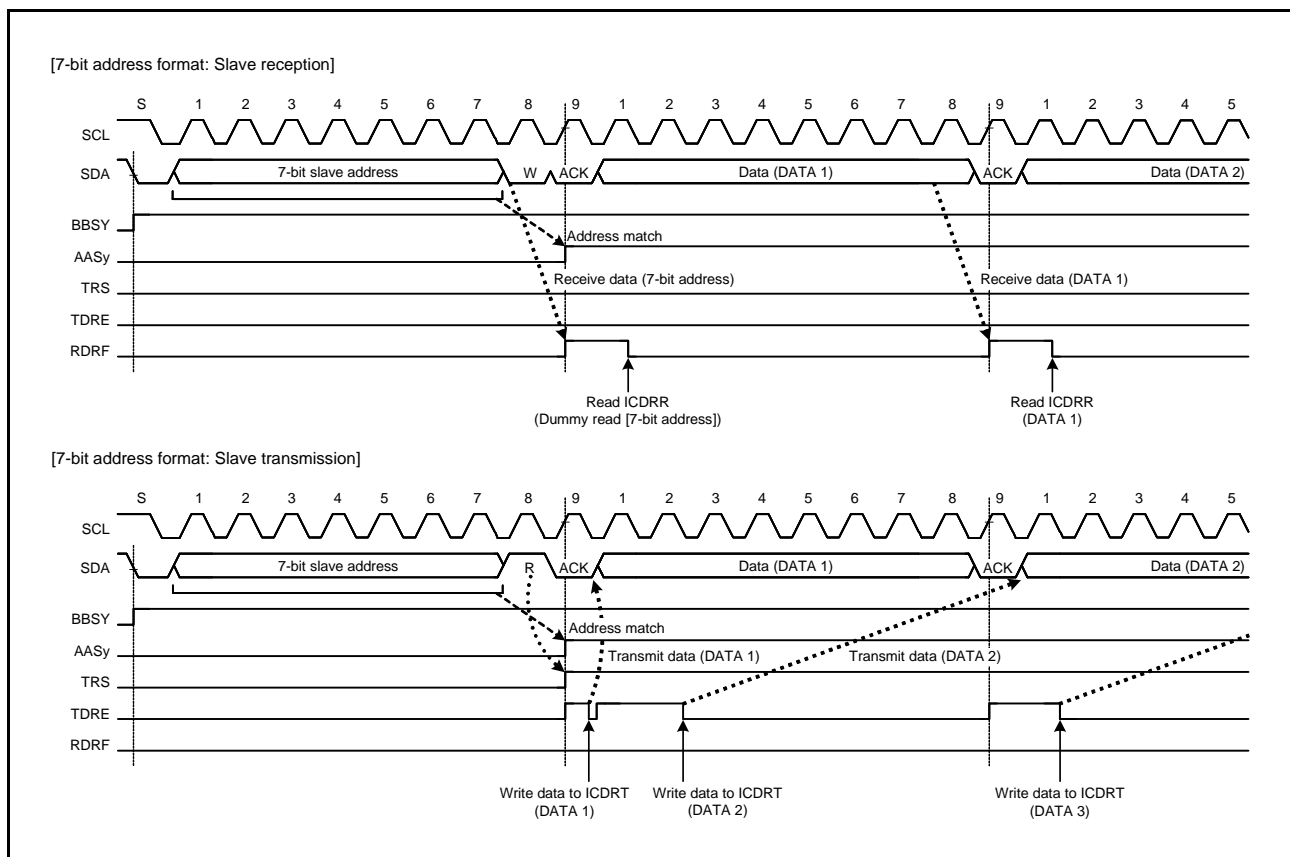


Figure 30.24 AASy Flag Set Timing with 7-Bit Address Format Selected

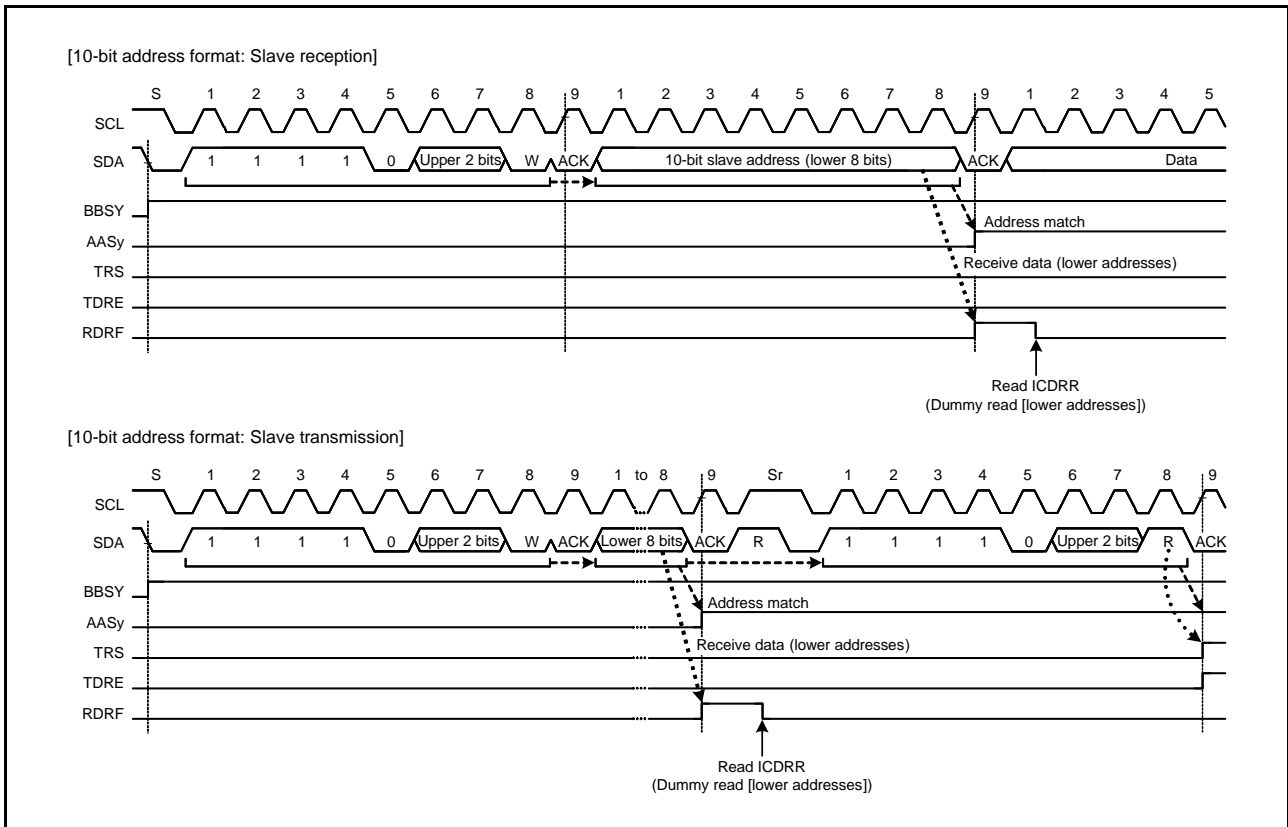


Figure 30.25 AASy Flag Set Timing with 10-Bit Address Format Selected

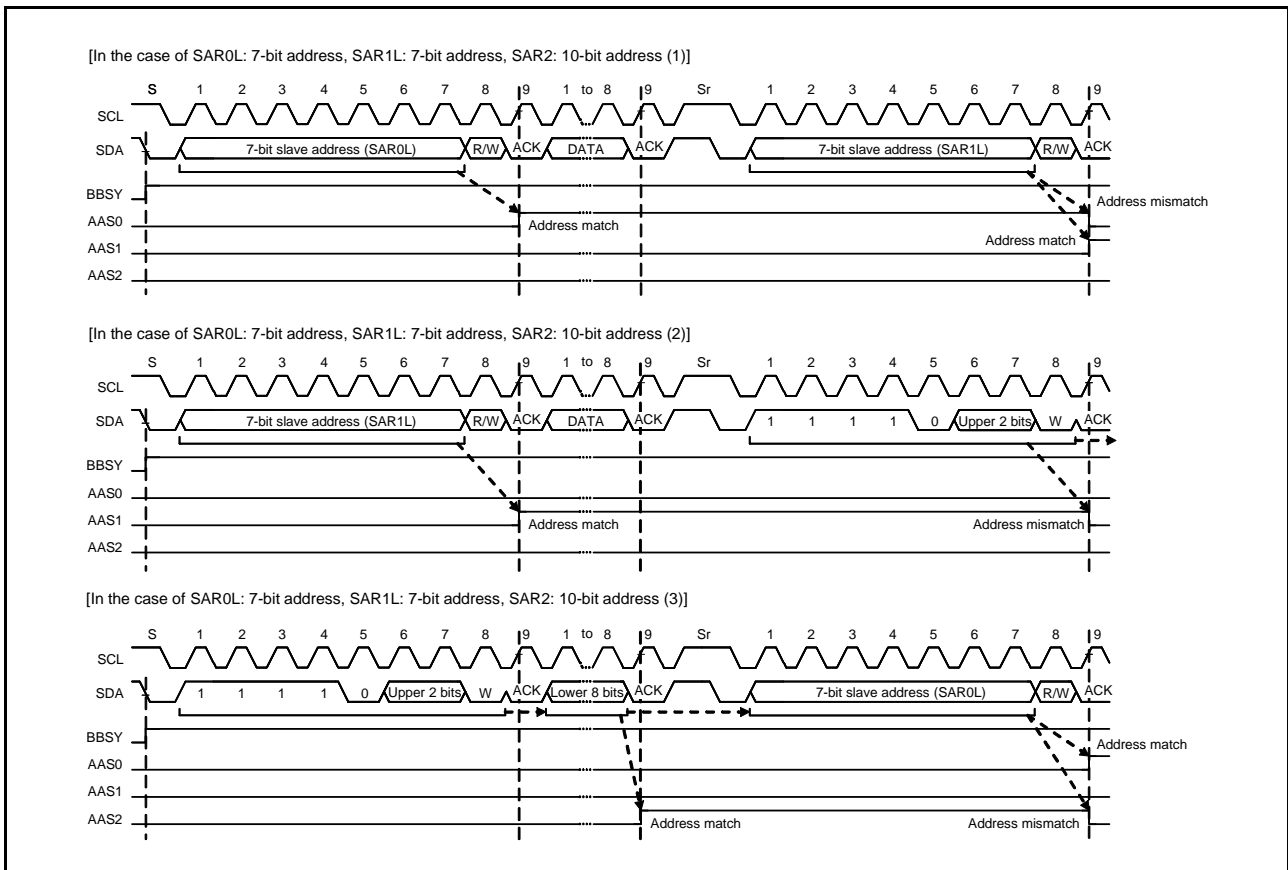


Figure 30.26 AASy Flag Set/Clear Timing with 7-Bit/10-Bit Address Formats Mixed

30.7.2 Detection of the General Call Address

The RIIC has a facility for detecting the general call address (0000 000b + 0 [W]). This is enabled by setting the GCAE bit in IC SER to 1.

If the address received after a start or restart condition is issued is 0000 000b + 1[R] (start byte), the RIIC recognizes this as the address of a slave device with an “all-zero” address but not as the general call address.

When the RIIC detects the general call address, both the GCA flag in IC SR1 and the RDRF flag in IC SR2 are set to 1 on the falling edge of the ninth cycle of SCL clock. This leads to the generation of a receive data full interrupt (RXI). The value of the GCA flag can be confirmed to recognize that the general call address has been transmitted.

Operation after detection of the general call address is the same as normal slave receive operation.

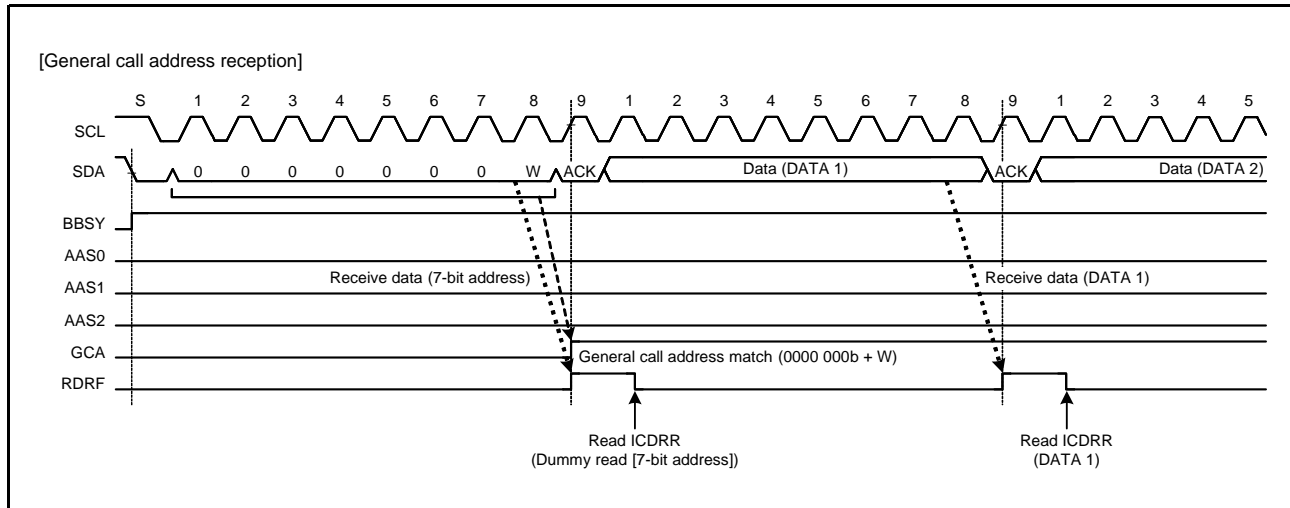


Figure 30.27 Timing of GCA Flag Setting during Reception of General Call Address

30.7.3 Device-ID Address Detection

The RIIC module has a facility for detecting device-ID addresses conformant with the I²C bus specification (Rev. 03). When the RIIC receives 1111 100b as the first byte after a start condition or restart condition was issued with the DIDE bit in ICSE1 set to 1, the RIIC recognizes the address as a device ID, sets the DID flag in ICSR1 to 1 on the rising edge of the ninth SCL clock cycle when the following R/W# bit is 0, and then compares the second and subsequent bytes with its own slave address. If the address matches the value in the slave address register, the RIIC sets the corresponding AASy flag (y = 0 to 2) in ICSR1 to 1.

After that, when the first byte received after a start or restart condition is issued matches the device ID address (1111 100b) again and the following R/W# bit is 1, the RIIC does not compare the second and subsequent bytes and sets the ICSR2.TDRE flag to 1.

In the device-ID address detection function, the RIIC clears the DID flag to 0 if a match with the RIIC's own slave address is not obtained or a match with the device ID address is not obtained after a match with the RIIC's own slave address and the detection of a restart condition. If the first byte after detection of a start or restart condition matches the device ID address (1111 100b) and the R/W# bit is 0, the RIIC sets the DID flag to 1 and compares the second and subsequent bytes with the RIIC's slave address. If the R/W# bit is 1, the DID flag holds the previous value and the RIIC does not compare the second and subsequent bytes. Therefore, the reception of a device-ID address can be checked by reading the DID flag after confirming that TDRE = 1.

Furthermore, prepare the device-ID fields (three bytes: 12 bits indicating the manufacturer + 9 bits identifying the part + 3 bits indicating the revision) that must be sent to the host after reception of a continuous device-ID field as normal data for transmission. For details of the information that must be included in device-ID fields, contact NXP Semiconductors.

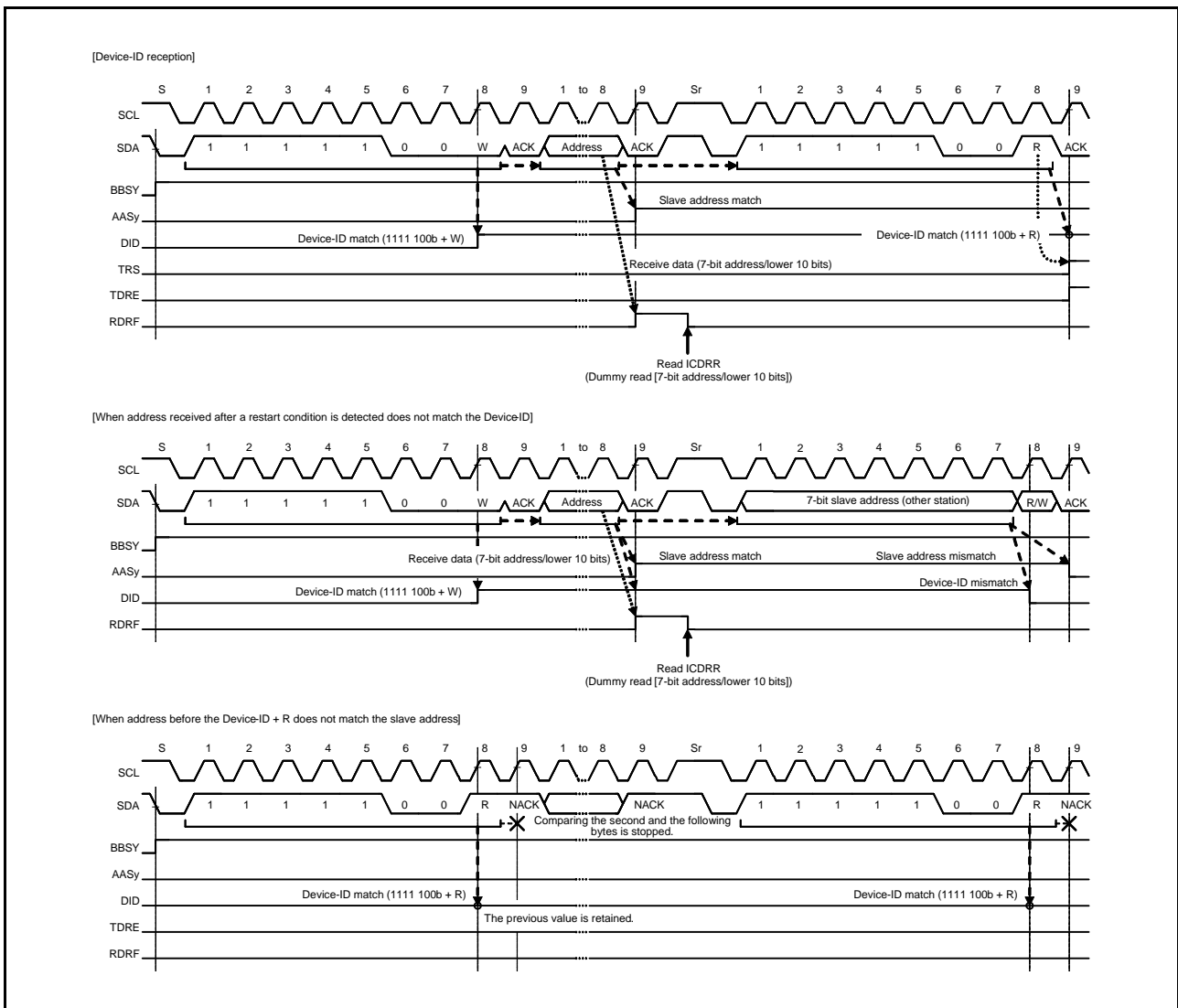


Figure 30.28 AASy/DID Flag Set/Clear Timing during Reception of Device-ID

30.7.4 Host Address Detection

The RIIC has a function to detect the host address while the SMBus is operating. When the HOAE bit in ICSER is set to 1 while the SMBS bit in ICMR3 is 1, the RIIC can detect the host address (0001 000b) in slave receive mode (MST and TRS bits = 00b in ICCR2).

When the RIIC detects the host address, the HOA flag in ICSR1 is set to 1 at the falling edge of the ninth SCL clock cycle, and at the same time, the RDRF flag in ICSR2 is set to 1 when the R/W# bit is 0 (Wr bit). This causes a transmit data empty interrupt (TXI) to be generated. The HOA flag is used to recognize that the host address was sent from the smart battery or other devices.

If the bit following the host address (0001 000b) is an Rd bit (R/W# bit = 1), the RIIC can also detect the host address. After the host address is detected, the RIIC operates in the same manner as normal slave operation.

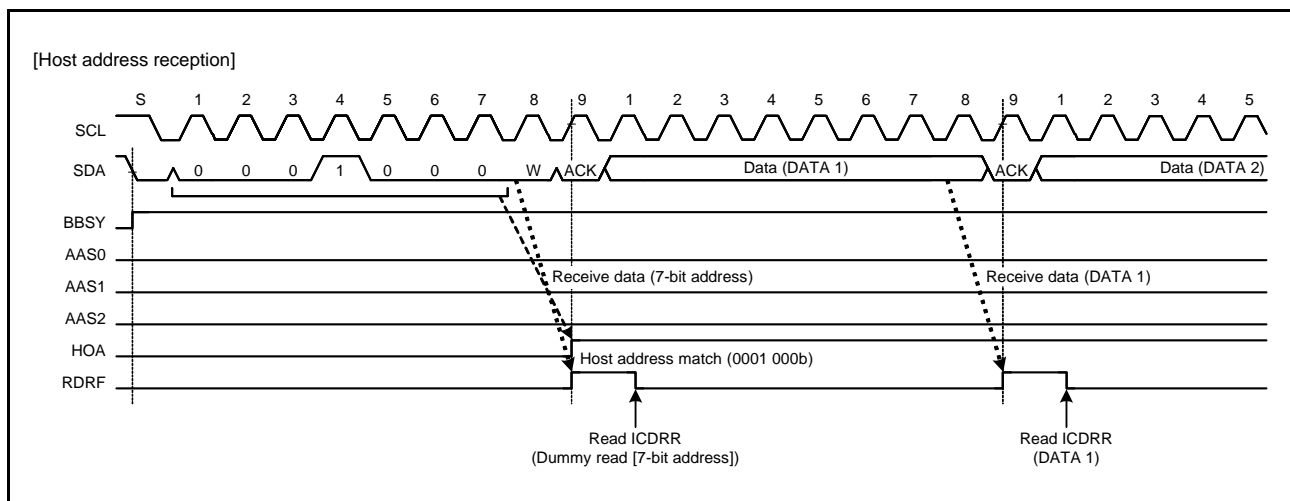


Figure 30.29 HOA Flag Set Timing during Reception of Host Address

30.8 Automatically Low-Hold Function for SCL

30.8.1 Function to Prevent Wrong Transmission of Transmit Data

If the shift register (ICDRS) is empty when data have not been written to the transmit data register (ICDRT) with the RIIC in transmission mode (TRS bit = 1 in ICCR2), the SCL line is automatically held at the low level over the intervals shown below. This low-hold period is extended until data for transmission have been written, which prevents the unintended transmission of erroneous data.

Master transmit mode

- Low-level interval after a start condition or restart condition is issued
- Low-level interval of one clock cycle between the ninth clock cycle of one transfer and the first clock cycle of the next

Slave transmit mode

- Low-level interval between the ninth clock cycle of one transfer and the first clock cycle of the next

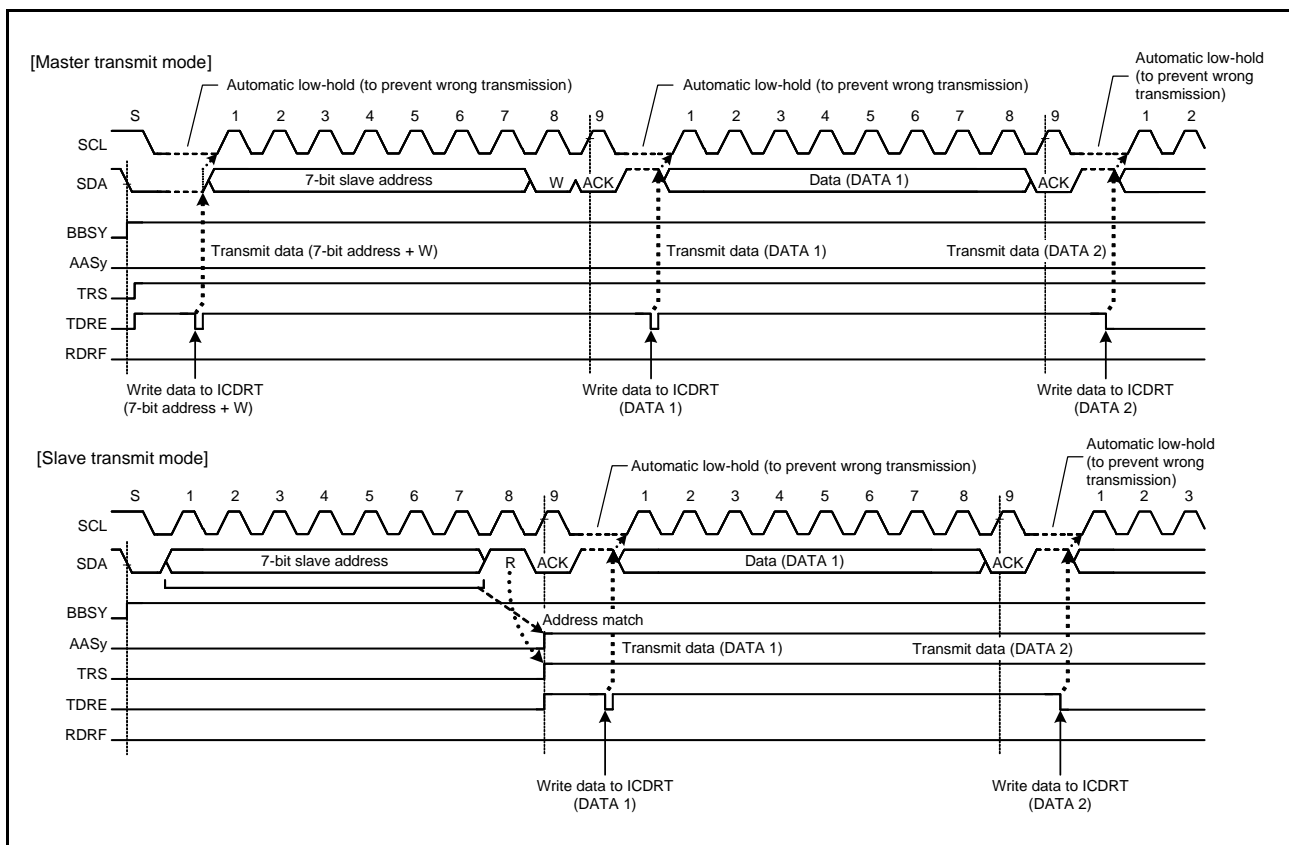


Figure 30.30 Automatic Low-Hold Operation in Transmit Mode

30.8.2 NACK Reception Transfer Suspension Function

The RIIC has a function to suspend transfer operation when NACK is received in transmit mode (TRS bit = 1 in ICCR2). This function is enabled when the NACKEN bit in ICFER is set to 1 (transfer suspension enabled). If the next transmit data has already been written (TDRE flag = 0 in ICSR2) when NACK is received, next data transmission at the falling edge of the ninth SCL clock cycle is automatically suspended. This prevents the SDA line output level from being held low when the MSB of the next transmit data is 0.

If the transfer operation is suspended by this function (NACKF flag = 1 in ICSR2), transmit operation and receive operation are discontinued. To restore transmit/receive operation, be sure to clear the NACKF flag to 0. In master transmit mode, clear the NACKF flag to 0, issue a restart or stop condition, and then issue a start condition again.

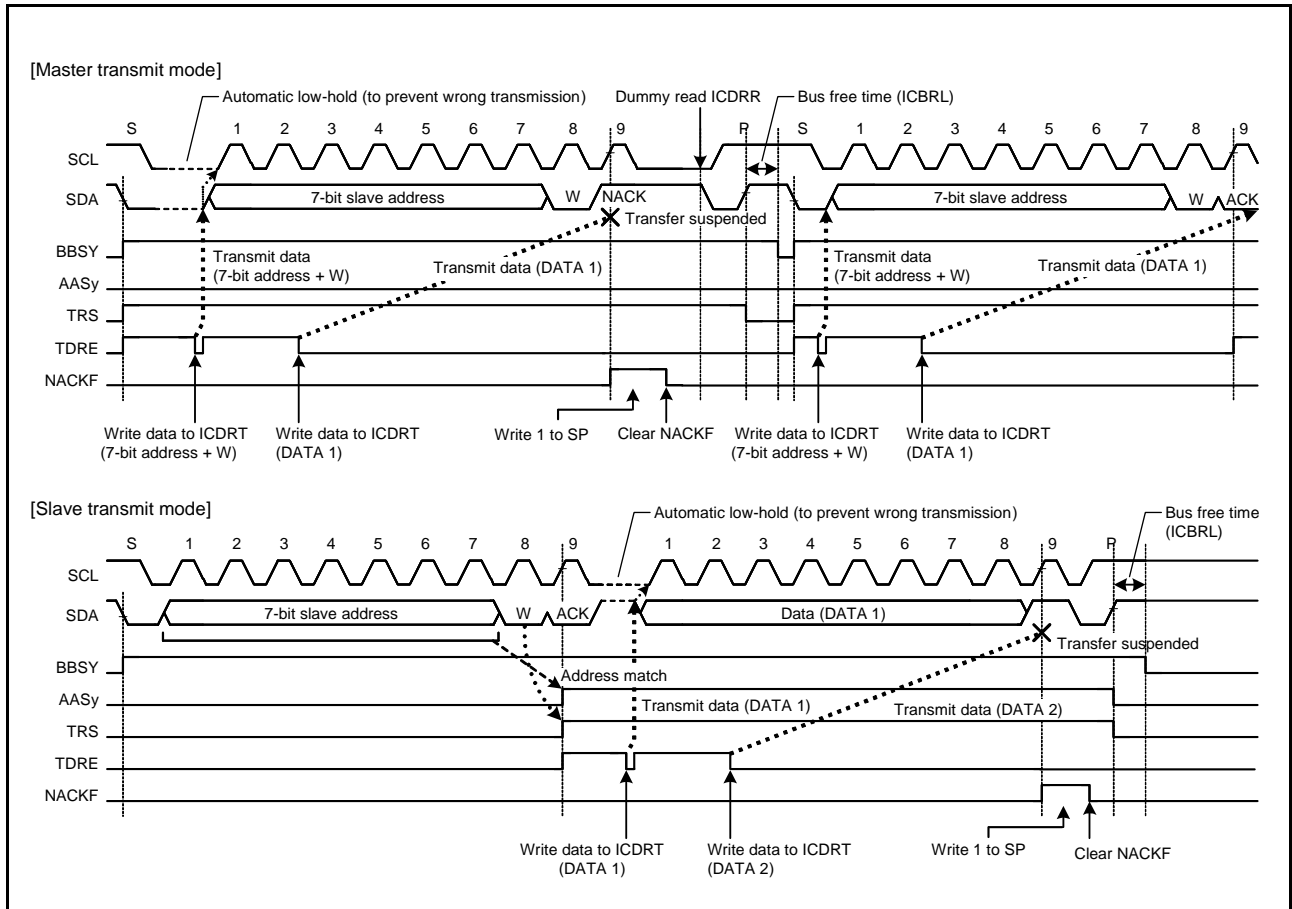


Figure 30.31 Suspension of Data Transfer when NACK is Received (NACKEN = 1)

30.8.3 Function to Prevent Failure to Receive Data

If response processing is delayed when receive data (ICDRR) read is delayed for a period of one transfer frame or more with receive data full (RDRF flag = 1 in ICSR2) in receive mode (TRS = 0 in ICCR2), the RIIC holds the SCL line low automatically immediately before the next data is received to prevent failure to receive data.

This function to prevent failure to receive data using the automatic low-hold function is also enabled even if the read processing of the final receive data is delayed and, in the meantime, the RIIC's own slave address is designated after a stop condition is issued. This function does not disturb other communication because the RIIC does not hold the SCL line low when a mismatch with its own slave address occurs after a stop condition is issued.

Sections in which the SCL line is held low can be selected with a combination of the WAIT and RDRFS bits in ICMR3.

(1) One-Byte Receive Operation and Automatic Low-Hold Function Using the WAIT Bit

When the WAIT bit in ICMR3 is set to 1, the RIIC performs one-byte receive operation using the WAIT bit function. Furthermore, when the ICMR3.RDRFS bit is 0, the RIIC automatically sends the ACKBT bit value in ICMR3 for the acknowledge bit in the period from the falling edge of the eighth SCL clock cycle to the falling edge of the ninth SCL clock cycle, and automatically holds the SCL line low at the falling edge of the ninth SCL clock cycle using the WAIT bit function. This low-hold is released by reading data from ICDRR, which enables bitwise receive operation. The WAIT bit function is enabled for receive frames after a match with the RIIC’s own slave address (including the general call address and host address) is obtained in master receive mode or slave receive mode.

(2) One-Byte Receive Operation (ACK/NACK Transmission Control) and Automatic Low-Hold Function Using the RDRFS Bit

When the RDRFS bit in ICMR3 is set to 1, the RIIC performs one-byte receive operation using the RDRFS bit function. When the RDRFS bit is set to 1, the RDRF flag (receive data full) in ICSR2 is set to 1 at the rising edge of the eighth SCL clock cycle, and the SCL line is automatically held low at the falling edge of the eighth SCL clock cycle. This low-hold is released by writing a value to the ACKBT bit in ICMR3, but cannot be released by reading data from ICDRR, which enables receive operation by the ACK/NACK transmission control according to the data received in byte units. The RDRFS bit function is enabled for receive frames after a match with the RIIC’s own slave address (including the general call address and host address) is obtained in master receive mode or slave receive mode.

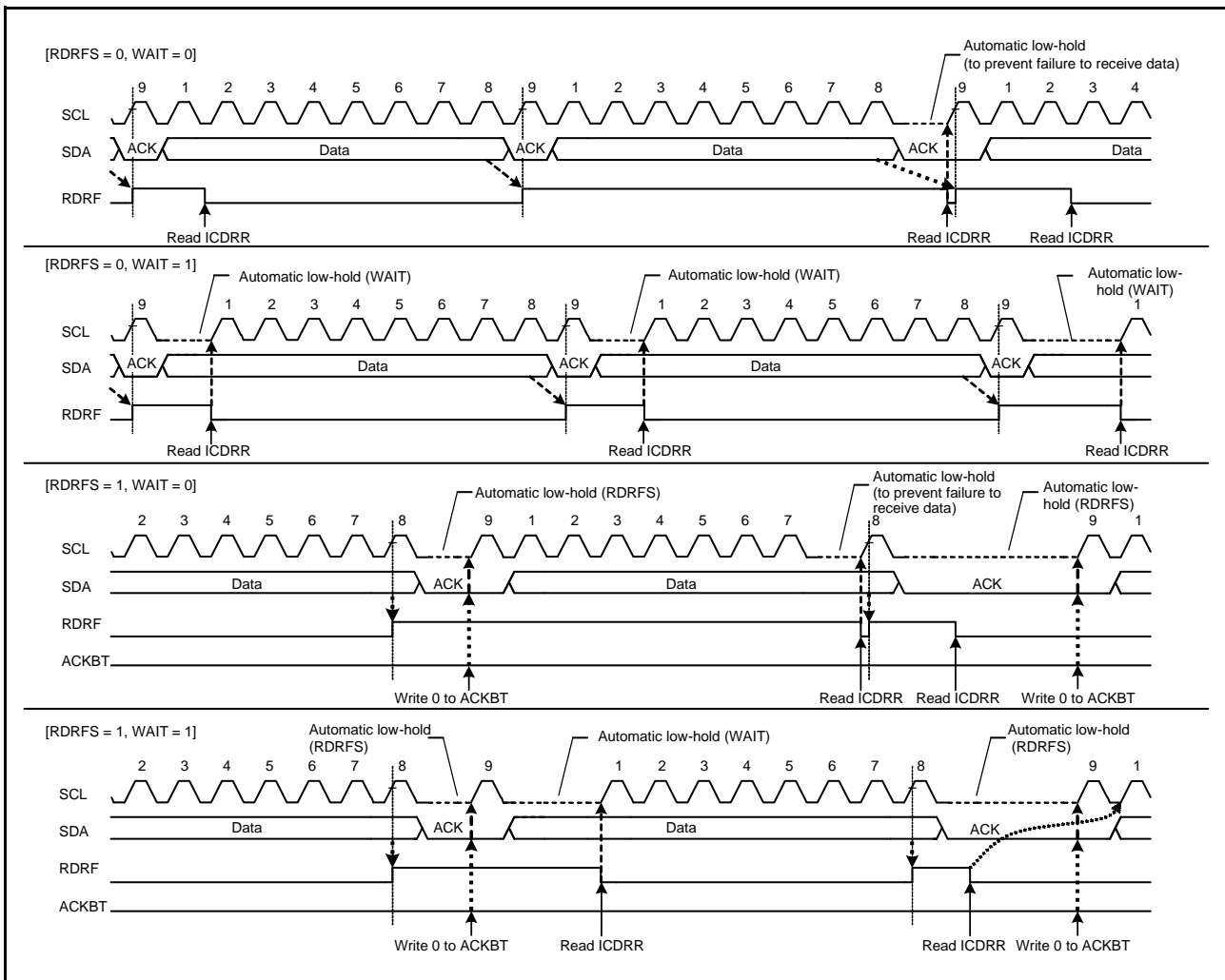


Figure 30.32 Automatic Low-Hold Operation in Receive Mode (Using RDRFS and WAIT Bits)

30.9 Arbitration-Lost Detection Functions

In addition to the normal arbitration-lost detection function defined by the I²C bus standard, the RIIC has functions to prevent double-issue of a start condition, to detect arbitration-lost during transmission of NACK, and to detect arbitration-lost in slave transmit mode.

30.9.1 Master Arbitration-Lost Detection (MALE Bit)

The RIIC drives the SDA line low to issue a start condition. However, if the SDA line has already been driven low by another master device issuing a start condition, the RIIC regards its own issuing of a start condition as an error and considers this a loss in arbitration, so priority is given to transfer by the other master device. Similarly, if a request to issue a start condition is made by setting the ST bit in ICCR2 to 1 while the bus is busy (BBSY flag = 1 in ICCR2), the RIIC regards this as a double-issuing-of-start-condition error and considers itself to have lost in arbitration, thus preventing a failure of transfer due to issuing of a start condition while transfer is in progress.

When a start condition is issued successfully, if the data for transmission including the address bits (i.e. the internal SDA output level) and the level on the SDA line do not match (the high output as the internal SDA output; i.e. the SDA pin is in the high-impedance state) and the low level is detected on the SDA line, the RIIC loses in arbitration.

After a loss in arbitration of mastership, the RIIC immediately enters slave receive mode. If a slave address (including the general call address) matches its own address at this time, the RIIC continues in slave operation.

A loss in arbitration of mastership is detected when the following conditions are met while the MALE bit in ICFER is 1 (master arbitration-lost detection enabled).

[Master arbitration-lost conditions]

- Non-matching of the internal level for output on SDA and the level on the SDA line after a start condition was issued by setting the ST bit in ICCR2 to 1 while the BBSY flag in ICCR2 was cleared to 0 (erroneous issuing of a start condition)
- Setting of the ST bit in ICCR2 to 1 (start condition double-issue error) while the BBSY flag is set to 1
- When the transmit data excluding acknowledge (internal SDA output level) does not match the level on the SDA line in master transmit mode (MST and TRS bits = 11b in ICCR2)

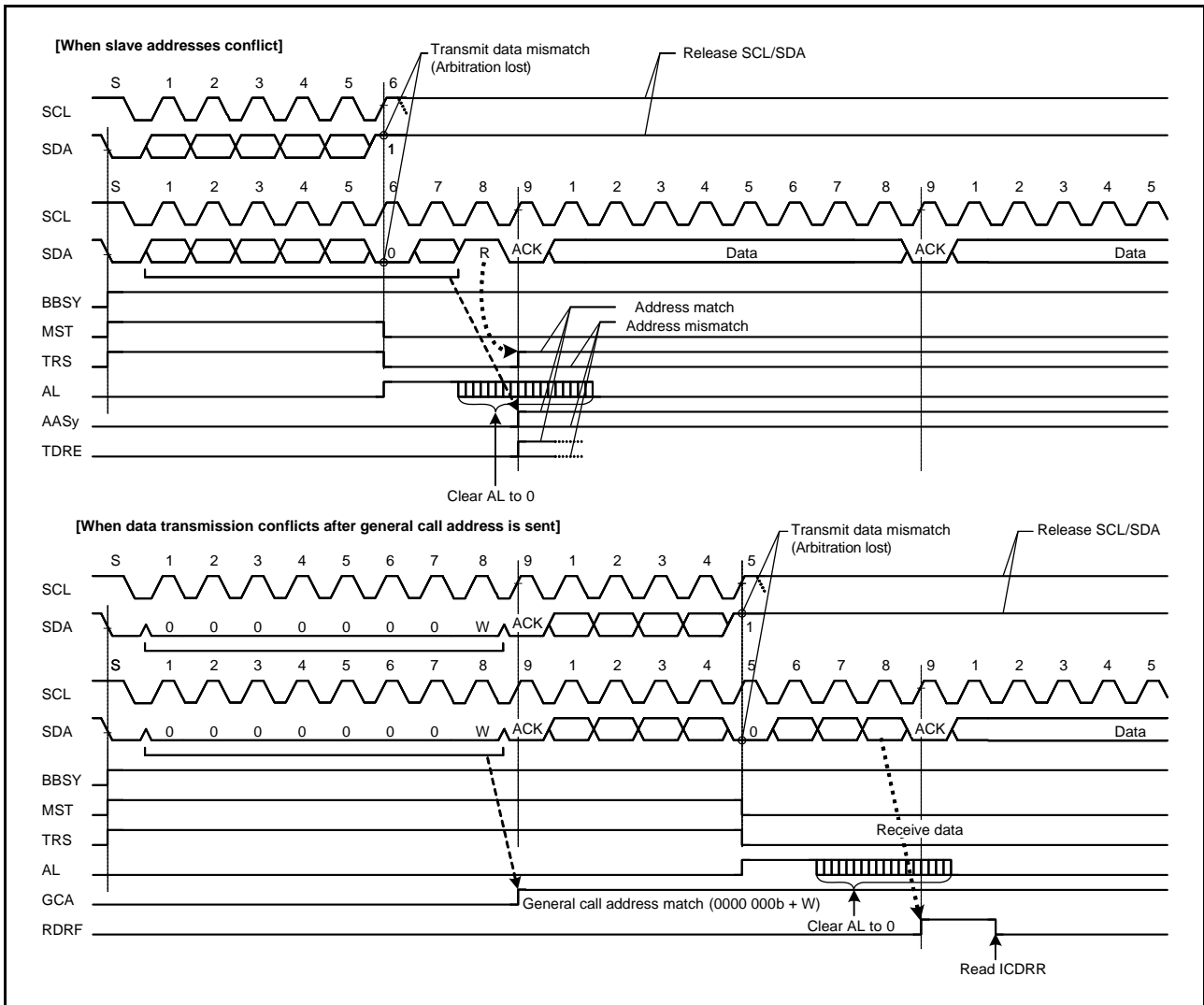


Figure 30.33 Examples of Master Arbitration-Lost Detection (MALE = 1)

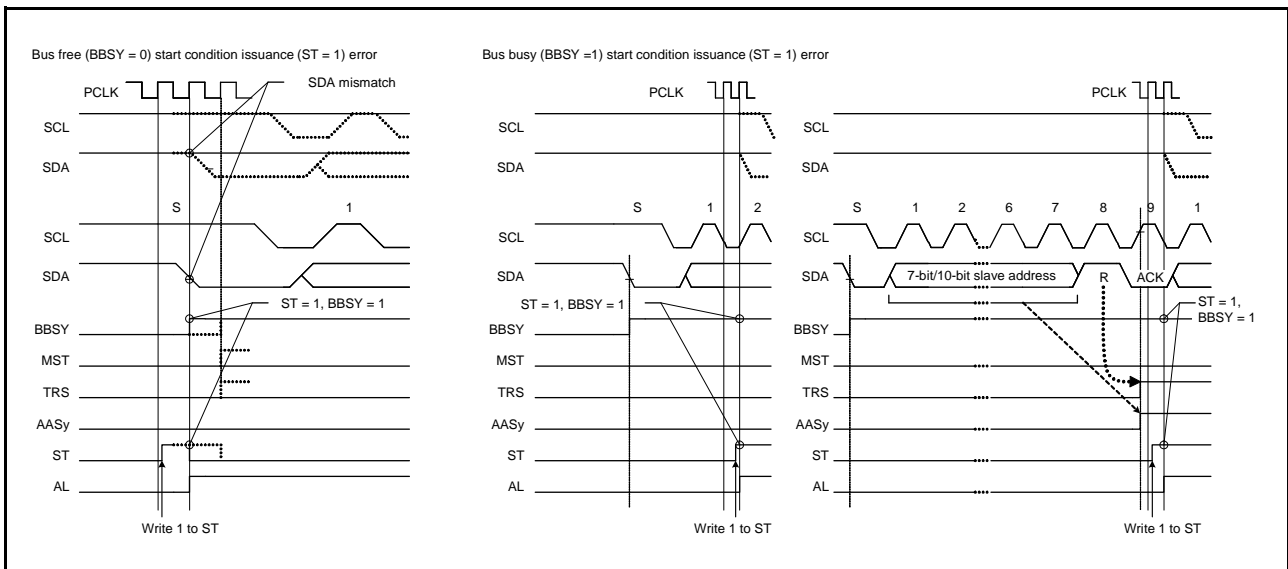


Figure 30.34 Arbitration-Lost when a Start Condition is Issued (MALE = 1)

30.9.2 Function to Detect Loss of Arbitration during NACK Transmission (NALE Bit)

The RIIC has a function to cause arbitration to be lost if the internal SDA output level does not match the level on the SDA line (the high output as the internal SDA output; i.e. the SDA pin is in the high-impedance state) and the low level is detected on the SDA line during transmission of NACK in receive mode. Arbitration is lost due to a conflict of NACK transmission and ACK transmission when two or more master devices receive data from the same slave device simultaneously in a multi-master system. Such conflict occurs when multiple master devices send/receive the same information through a single slave device. Figure 30.35 shows an example of arbitration-lost detection during transmission of NACK.

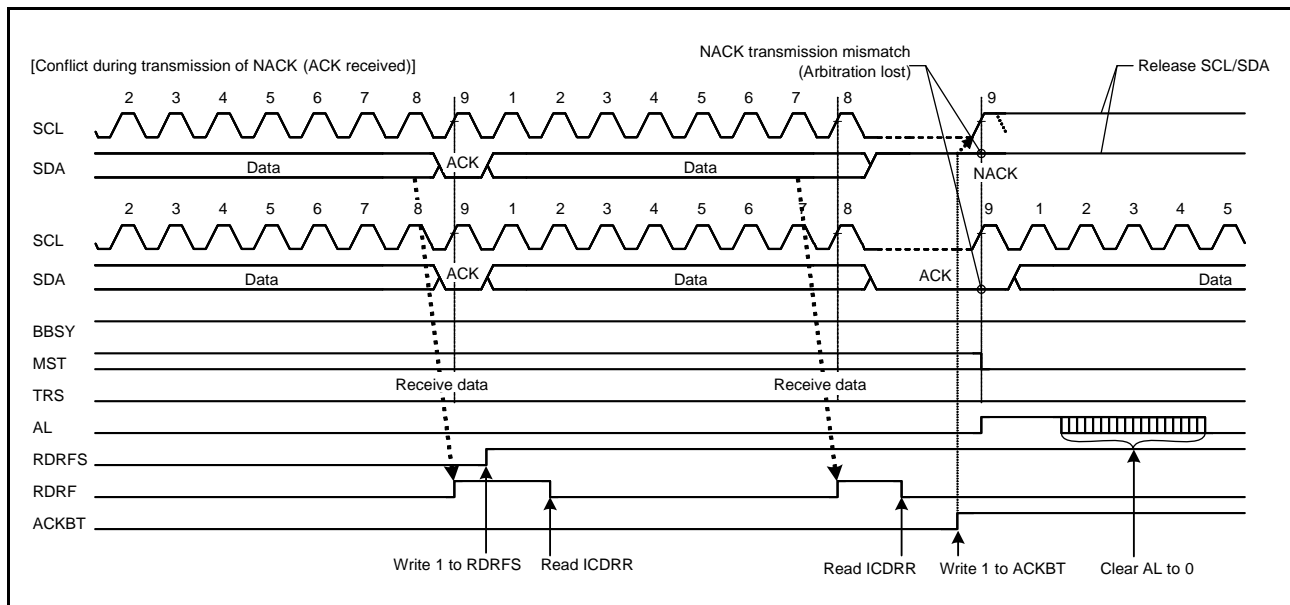


Figure 30.35 Example of Arbitration-Lost Detection during Transmission of NACK (NALE = 1)

The following explains arbitration-lost detection using an example where two master devices (master A and master B) and a single slave device are connected through the bus. In this example, master A receives two bytes of data from the slave device, and master B receives four bytes of data from the slave device.

If master A and master B access the slave device simultaneously, because the slave address is identical, arbitration is not lost in both master A and master B during access to the slave device. Therefore, both master A and master B recognize that they have obtained the bus mastership and operate as such. Here, master A sends NACK when it has received two final bytes of data from the slave device. Meanwhile, master B sends ACK because it has not received necessary four bytes of data. At this time, the NACK transmission from master A and the ACK transmission from master B conflict. In general, if a conflict like this occurs, master A cannot detect ACK transmitted by master B and issues a stop condition. Therefore, the issuance of the stop condition conflicts with the SCL clock output of master B, which disturbs communication.

When the RIIC receives ACK during transmission of NACK, it detects a defeat in conflict with other master devices and causes arbitration to be lost.

If arbitration is lost during transmission of NACK, the RIIC immediately cancels the slave match condition and enters slave receive mode. This prevents a stop condition from being issued, preventing a communication failure on the bus. Similarly, in the ARP command processing of SMBus, the function to detect loss of arbitration during transmission of NACK is also available for eliminating the extra clock cycle processing (such as FFh transmission processing) necessary if the UDID (Unique Device Identifier) of assign address does not match in the Get UDID (general) processing after the Assign address command.

The RIIC detects arbitration-lost during transmission of NACK when the following condition is met with the NALE bit in ICFER set to 1 (arbitration-lost detection during NACK transmission enabled).

[Condition for arbitration-lost during NACK transmission]

- When the internal SDA output level does not match the SDA line (ACK is received) during transmission of NACK (ACKBT bit = 1 in ICMR3)

30.9.3 Slave Arbitration-Lost Detection (SALE Bit)

The RIIC has a function to cause arbitration to be lost if the data for transmission (i.e. the internal SDA output level) and the level on the SDA line do not match (the high output as the internal SDA output; i.e. the SDA pin is in the high-impedance state) and the low level is detected on the SDA line in slave transmit mode. This arbitration-lost detection function is mainly used when transmitting a UDID (Unique Device Identifier) over an SMBus.

When it loses slave arbitration, the RIIC is immediately released from the slave-matched state and enters slave receive mode. This function can detect conflicts of data during transmission of UDIDs over an SMBus and eliminates subsequent redundant processing (processing for the transmission of FFh).

The RIIC detects slave arbitration-lost when the following condition is met with the SALE bit in ICFER set to 1 (slave arbitration-lost detection enabled).

[Condition for slave arbitration-lost]

- When transmit data excluding acknowledge (internal SDA output level) does not match the SDA line in slave transmit mode (MST and TRS bits = 01b in ICCR2)

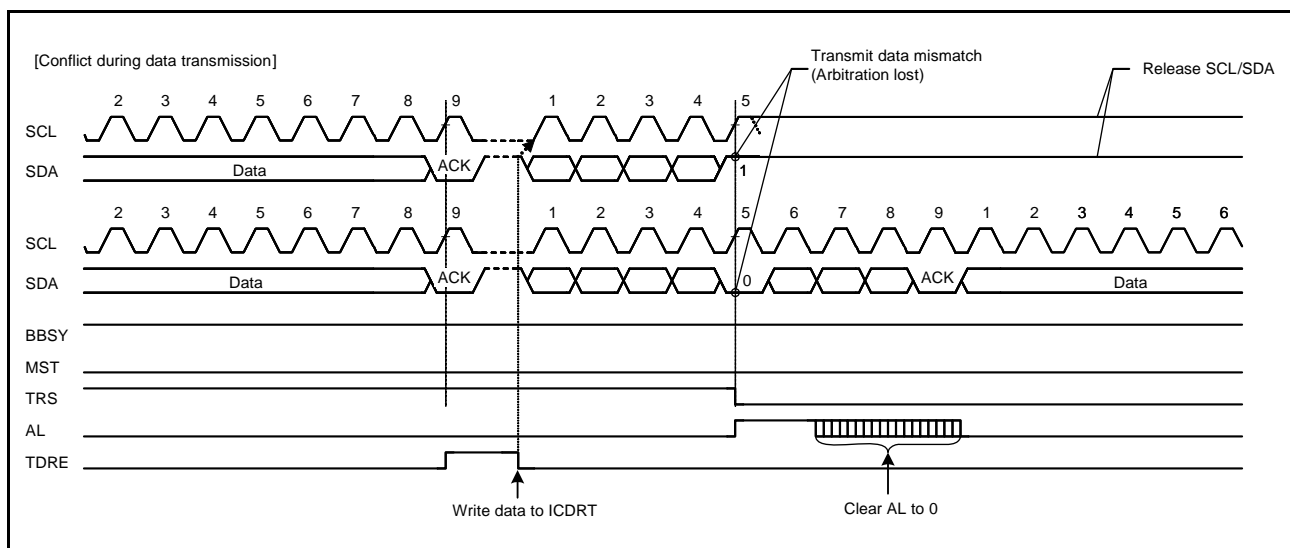


Figure 30.36 Example of Slave Arbitration-Lost Detection (SALE = 1)

30.10 Start Condition/Restart Condition/Stop Condition Issuing Function

30.10.1 Issuing a Start Condition

The RIIC issues a start condition when the ST bit in ICCR2 is set to 1.

When the ST bit is set to 1, a start condition issuance request is made and the RIIC issues a start condition when the BBSY flag in ICCR2 is 0 (bus free). When a start condition is issued normally, the RIIC automatically shifts to the master transmit mode.

A start condition is issued in the following sequence.

[Start condition issuance]

- (1) Drive the SDA line low (high level to low level).
- (2) Ensure the time set in ICBRH and the start condition hold time.
- (3) Drive the SCL line low (high level to low level).
- (4) Detect low level of the SCL line and ensure the low-level period of SCL line set in ICBRL.

30.10.2 Issuing a Restart Condition

The RIIC issues a restart condition when the RS bit in ICCR2 is set to 1.

When the RS bit is set to 1, a restart condition issuance request is made and the RIIC issues a restart condition when the BBSY flag in ICCR2 is 1 (bus busy) and the MST bit in ICCR2 is 1 (master mode).

A restart condition is issued in the following sequence.

[Restart condition issuance]

- (1) Release the SDA line.
- (2) Ensure the low-level period of SCL line set in ICBRL.
- (3) Release the SCL line (low level to high level).
- (4) Detect a high level of the SCL line and ensure the time set in ICBRL and the restart condition setup time.
- (5) Drive the SDA line low (high level to low level).
- (6) Ensure the time set in ICBRH and the restart condition hold time.
- (7) Drive the SCL line low (high level to low level).
- (8) Detect a low level of the SCL line and ensure the low-level period of SCL line set in ICBRL.

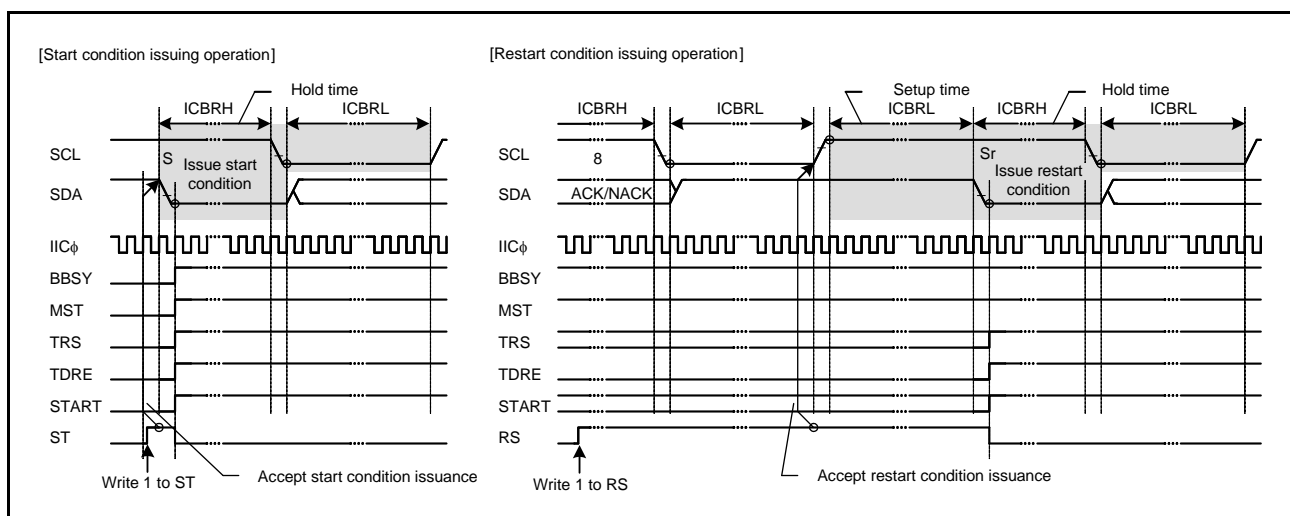


Figure 30.37 Start Condition/Restart Condition Issue Timing (ST and RS Bits)

30.10.3 Issuing a Stop Condition

The RIIC issues a stop condition when the SP bit in ICCR2 is set to 1.

When the SP bit is set to 1, a stop condition issuance request is made and the RIIC issues a stop condition when the BBSY flag in ICCR2 is 1 (bus busy) and the MST bit in ICCR2 is 1 (master mode).

A stop condition is issued in the following sequence.

[Stop condition issuance]

- Drive the SDA line low (high level to low level).
- Ensure the low-level period of SCL line set in ICBRL.
- Release the SCL line (low level to high level).
- Detect a high level of the SCL line and ensure the time set in ICBRH and the stop condition setup time.
- Release the SDA line (low level to high level).
- Ensure the time set in ICBRL and the bus free time.
- Clear the BBSY flag to 0 (to release the bus mastership).

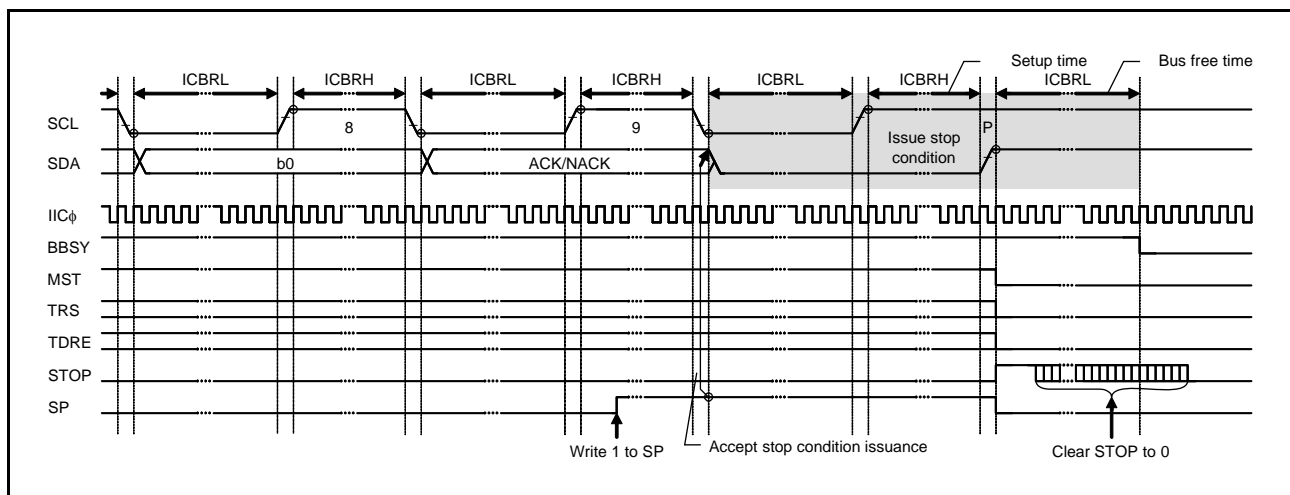


Figure 30.38 Stop Condition Issue Timing (SP Bit)

30.11 Bus Hanging

If the clock signals from the master and slave devices go out of synchronization due to noise or other factors, the I²C bus might hang with a fixed level on the SCL line and/or SDA line.

As measures against the bus hanging, the RIIC has a timeout function to detect hanging by monitoring the SCL line, a function for the output of an extra SCL clock cycle to release the bus from a hung state due to clock signals being out of synchronization, and the RIIC/internal reset function.

By checking the SCLO, SDAO, SCLI, and SDAI bits in ICCR1, it is possible to see whether the RIIC or its partner in communications is placing the low level on the SCL or SDA lines.

30.11.1 Timeout Function

The RIIC has the timeout function to detect an abnormality that the SCL line is held for a certain period of time. The RIIC can detect an abnormal bus state by monitoring that the SCL line is held low or high for a predetermined time. The timeout function monitors the SCL line state and counts the low-level period or high-level period using the internal counter. The timeout function resets the internal counter each time the SCL line changes (rising or falling), but continues to count unless the SCL line changes. If the internal counter overflows due to no SCL line change, the RIIC can detect the timeout and report the bus abnormality.

This timeout function is enabled when the ICFER.TMOE bit is 1. It detects a hung state that the SCL line is stuck low or high during the following conditions:

- The bus is busy (ICCR2.BBSY flag is 1) in master mode (ICCR2.MST bit is 1).
- The RIIC's own slave address is detected (ICSR1 register is not 00h) and the bus is busy (ICCR2.BBSY flag is 1) in slave mode (ICCR2.MST bit is 0).
- The bus is free (ICCR2.BBSY flag is 0) while generation of a START condition is requested (ICCR2.ST bit is 1).

The internal counter of the timeout function works using the internal reference clock (IIC ϕ) set by the CKS[2:0] bits in ICMR1 as a count source. It functions as a 16-bit counter when long mode is selected (TMOS bit = 0 in ICMR2) or a 14-bit counter when short mode is selected (TMOS bit = 1).

The SCL line level (low/high or both levels) during which this counter is activated can be selected by the setting of the TMOH and TMOL bits in ICMR2. If both TMOL and TMOH bits are cleared to 0, the internal counter does not work.

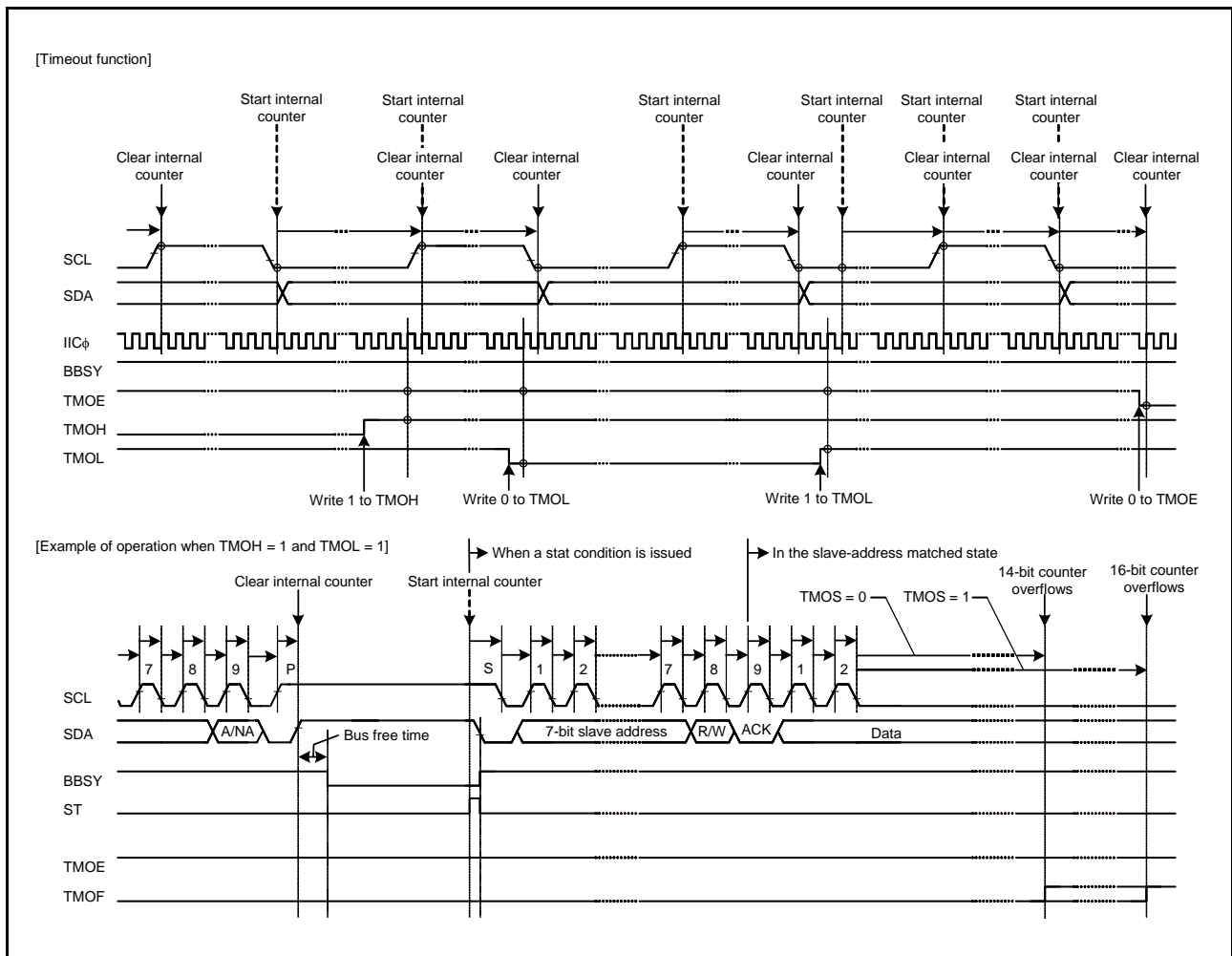


Figure 30.39 Timeout Function (TMOE, TMOS, TMOH, and TMOL Bits)

30.11.2 Extra SCL Clock Cycle Output Function

In master mode, the RIIC module has a facility for the output of extra SCL (clock) cycles to release the SDA line of the slave device from being held at the low level due to the master being out of synchronization with the slave device.

This function is mainly used in master mode to release the SDA line of the slave device from the state of being fixed to the low level by including extra cycles of SCL output from the RIIC with single cycles of the SCL (clock) signal as the unit in the case of a bus error where the RIIC cannot issue a stop condition because the slave device is holding the SDA line at the low level. Do not use this facility in normal situations. Using it when communications are proceeding correctly will lead to malfunctions.

When the CLO bit in ICCR1 is set to 1 in master mode, a single cycle of the SCL clock at the frequency corresponding to the transfer rate settings (settings of the CKS[2:0] bits in ICMR1, and of the ICBRH and ICBRL registers) is output as an extra clock cycle. After output of this single cycle of the SCL clock, the CLO bit is automatically cleared to 0. Therefore, further extra clock cycles can be output consecutively by the software program writing 1 to the CLO bit after having read CLO = 0.

When the RIIC module is in master mode and the slave device is holding the SDA line at the low level because synchronization with the slave device has been lost due to the effects of noise, etc., the output of a stop condition is not possible. The facility for output of an extra cycle of the SCL (clock) signal can be used to output extra cycles of SCL one by one to make the slave device release the SDA line from being held at the low level, thus recovering the bus from an unusable state. Release of the SDA line by the slave device can be monitored by reading the SDAI bit in ICCR1. After confirming release of the SDA line by the slave device, complete communications by reissuing the stop condition. Use this facility with the MALE bit (master arbitration-lost detection disabled) in ICFER cleared to 0. If the MALE bit is set to 1 (master arbitration-lost detection enabled), arbitration is lost when the value of the SDAO bit in ICCR1 does not match the state of the SDA line, so take care on this point.

[Output conditions for using the CLO bit in ICCR1]

- When the bus is free (BBSY flag in ICCR2 = 0) or in master mode (MST bit = 1 and BBSY flag = 1 in ICCR2)
- When the communication device does not hold the SCL line low

Figure 30.40 shows the operation timing of the extra SCL clock cycle output function (CLO bit).

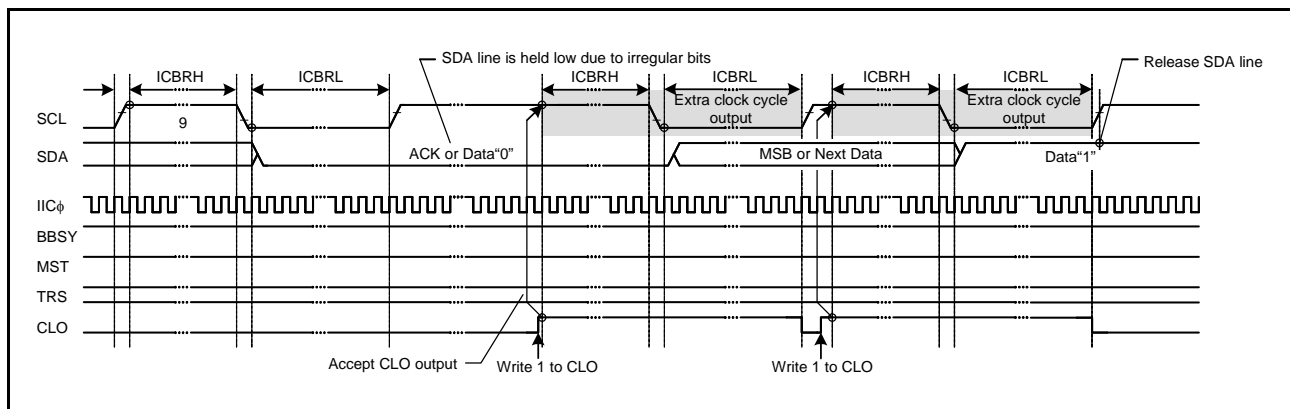


Figure 30.40 Extra SCL Clock Cycle Output Function (CLO Bit)

30.11.3 RIIC Reset and Internal Reset

The RIIC module incorporates a function for resetting itself. There are two types of reset. One is referred to as an RIIC reset; this initializes all registers including the BBSY flag in ICCR2. The other is referred to as an internal reset; this releases the RIIC from the slave-address matched state and initializes the internal counter while retaining other settings. After issuing a reset, be sure to clear the IICRST bit in ICCR1 to 0.

Both types of reset are effective for release from bus-hung states since both restore the output state of the SCL and SDA pins to the high impedance state.

Issuing a reset during slave operation may lead to a loss of synchronization between the master device clock and the slave device clock, so avoided this where possible. Note that monitoring of the bus state, such as for the presence of a start condition, is not possible during an RIIC reset (ICE and IICRST bits = 01b in ICCR1).

For a detailed description of the RIIC and internal resets, see [section 30.14, Reset States](#).

30.12 SMBus Operation

The RIIC is available for data communication conforming to the SMBus (Version 2.0). To perform SMBus communication, set the SMBS bit in ICMR3 to 1. To use the transfer rate within a range of 10 kbps to 100 kbps of the SMBus standard, set the CKS[2:0] bits in ICMR1, ICBRH, and ICBRL. In addition, determine the values of the DLCS bit in ICMR2 and the SDDL[2:0] bits in ICMR2 to meet the data hold time specification of 300 ns or more. If the RIIC is used only as a slave device, the transfer rate setting is not necessary. When the RIIC is used only as a slave device, the transfer rate setting is not necessary, whereas the ICBRL needs to be set to a value longer than the data setup time (250 ns).

For the SMBus device default address (1100 001b), use one of the slave address registers L0 to L2 (SARL0, SARL1, and SARL2), and set the corresponding FS bit (7-bit/10-bit address format select) in SARUy (y = 0 to 2) to 0 (7-bit address format).

When transmitting the UDID (Unique Device Identifier), set the SALE bit in ICFER to 1 to enable the slave arbitration-lost detection function.

30.12.1 SMBus Timeout Measurement

(1) Measuring timeout of slave device

The following period (timeout interval: $T_{\text{LOW:SEXT}}$) must be measured for slave devices in SMBus communication.

- From start condition to stop condition

To measure timeout for slave devices, measure the period from start condition detection to stop condition detection with the MTU or TMR timer using a start condition detection interrupt (STI) and stop condition detection interrupt (SPI) of the RIIC. The measured timeout period must be within the total clock low-level period [slave device] $T_{\text{LOW:SEXT}}$: 25 ms (max.) of the SMBus standard.

If the time measured with the MTU or TMR exceeds the clock low-level detection timeout T_{TIMEOUT} : 25 ms (min.) of the SMBus standard, the slave device must release the bus by writing 1 to the IICRST bit in ICCR1 to issue an internal reset of the RIIC. When an internal reset is issued, the RIIC stops driving the bus for the SCL pin and SDA pin and make the SCL/SDA pin outputs high impedance, which releases the bus.

(2) Measuring timeout of master device

The following periods (timeout interval: $T_{\text{LOW:MEXT}}$) must be measured for master devices in SMBus communication.

- From start condition to acknowledge bit
- Between acknowledge bits
- From acknowledge bit to stop condition

To measure timeout for master devices, measure these periods with the MTU or TMR timer using a start condition detection interrupt (STI), stop condition detection interrupt (SPI), and transmit end interrupt (TEI) or receive data full interrupt (RXI) of the RIIC. The measured timeout period must be within the total clock low-level extended period [master device] $T_{\text{LOW:MEXT}}$: 10 ms (max.) of the SMBus standard, and the total of all $T_{\text{LOW:MEXT}}$ from start condition to stop condition must be within $T_{\text{LOW:SEXT}}$: 25 ms (max.).

For the ACK receive timing (rising edge of the ninth SMBCLK clock cycle), monitor the TEND flag in ICSR2 in master transmit mode (master transmitter) and the RDRF flag in ICSR2 in master receive mode (master receiver). For this reason, perform bitwise transmit operation in master transmit mode, and hold the RDRFS bit in ICMR3 0 until the byte just before reception of the final byte in master receive mode. While the RDRFS bit is 0, the RDRF flag is set to 1 at the rising edge of the ninth SMBCLK clock cycle.

If the period measured with the MTU or TMR exceeds the total clock low-level extended period [master device] $T_{\text{LOW:MEXT}}$: 10 ms (max.) of the SMBus standard or the total of measured periods exceeds the clock low-level detection timeout T_{TIMEOUT} : 25 ms (min.) of the SMBus standard, the master device must stop the transaction by issuing a stop

condition. In master transmit mode, immediately stop the transmit operation (writing data to ICDRT).

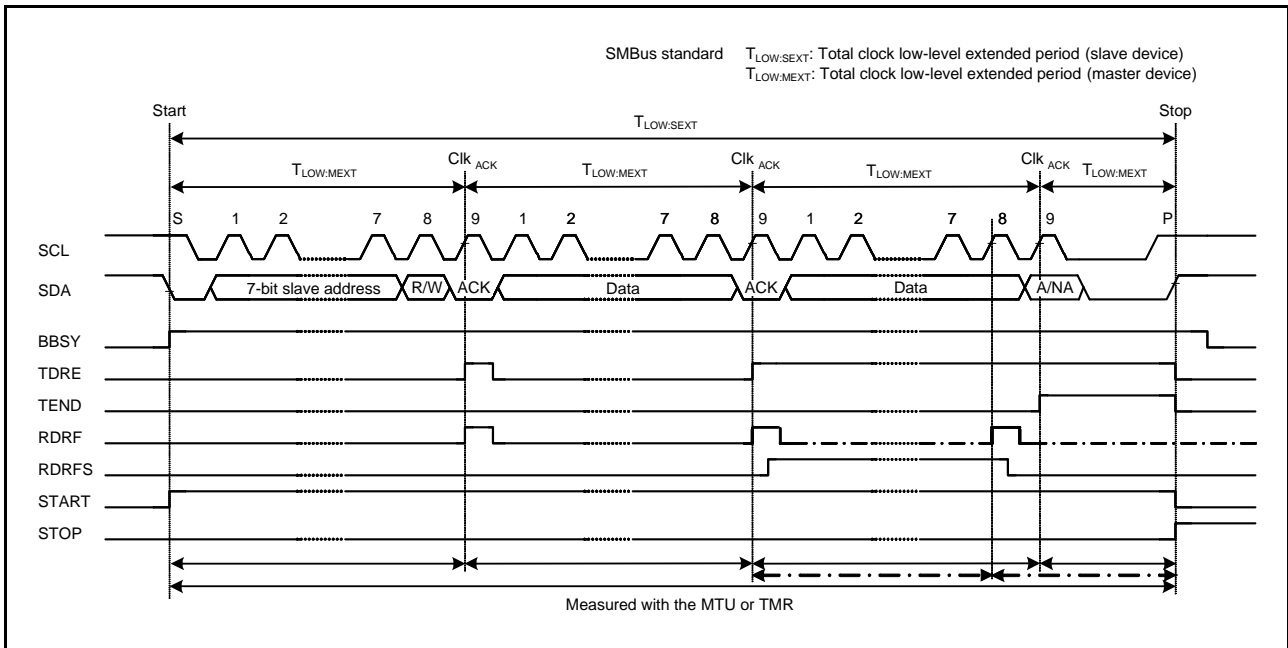


Figure 30.41 SMBus Timeout Measurement

30.12.2 Packet Error Code (PEC)

The RX210 Group incorporates a CRC calculator. The CRC calculator enables transmission of a packet error code (PEC) or checking the received data of the SMBus in data communication of the RIIC. For the CRC generating polynomials of the CRC calculator, see section 32, CRC Calculator (CRC).

The PEC data in master transmit mode (master transmitter) can be generated by writing all transmit data to the CRC data input register (CRCDIR) in the CRC calculator.

The PEC data in master receive mode (master receiver) can be checked by writing all receive data to CRCDIR in the CRC calculator and comparing the obtained value in the CRC data output register (CRCDOR) with the received PEC data.

To send ACK or NACK according to the match or mismatch result when the final byte is received as a result of the PEC code check, set the RDRFS bit in ICMR3 to 1 before the rising edge of the eighth SMBCLK clock cycle during reception of the final byte, and hold the SCL line low at the falling edge of the eighth clock cycle.

30.12.3 SMBus Host Notification Protocol/Notify ARP Master

In communications over an SMBus, a slave device can temporarily act as a master device to notify the SMBus host (or ARP master) of (or request the SMBus host for) its own slave address or to request its own slave address from the SMBus host.

For a product of the RX210 Group to operate as an SMBus host (or ARP master), the host address (0001 000b) sent from the slave device must be detected as a slave address, so the RIIC has a function for detecting the host address. To detect the host address as a slave address, set the SMBS bit in ICMR3 and the HOAE bit in ICSE to 1. Operation after the host address has been detected is the same as normal slave operation.

30.13 Interrupt Request

The RIIC issues four types of interrupt request: transfer error or event generation (arbitration-lost, NACK detection, timeout detection, start condition detection, and stop condition detection), receive data full, transmit data empty, and transmit end.

Table 30.7 lists details of the several interrupt requests. The receive data full and transmit data empty are both capable of launching data transfer by the DTC or DMAC.

Table 30.7 Interrupt Sources

Symbol	Interrupt Source	Interrupt Flag	DTC Launching	DMAC Launching	Priority	Interrupt Condition
EEI	Transfer Error/ Event Generation	AL	Not possible	Not possible	High	AL = 1 • ALIE = 1
		NACKF				NACKF = 1 • NAKIE = 1
		TMOF				TMOF = 1 • TMOIE = 1
		START				START = 1 • STIE = 1
		STOP				STOP = 1 • SPIE = 1
RXI	Receive Data Full	—	Possible	Possible	↑	RDRF = 1 • RIE = 1
TXI	Transmit Data Empty	—	Possible	Possible		TDRE = 1 • TIE = 1
TEI	Transmit End	TEND	Not possible	Not possible	Low	TEND = 1 • TEIE = 1

Clear or mask the each flag during interrupt handling.

Notes on interrupt processing:

1. There is a latency (delay) between the execution of a write instruction for a peripheral module by the CPU and actual writing to the module. Thus, when an interrupt flag has been cleared or masked, read the relevant flag again to check whether clearing or masking has been completed, and then return from interrupt processing. Returning from interrupt processing without checking that writing to the module has been completed creates a possibility of repeated processing of the same interrupt.
2. Since TXI is an edge-detected interrupted, it does not require clearing. Furthermore, the TDRE flag in ICSR2 (a condition for TXI) is automatically cleared to 0 when data for transmission are written to ICDRT or a stop condition is detected (STOP flag = 1 in ICSR2).
3. Since RXI is an edge-detected interrupted, it does not require clearing. Furthermore, the RDRF flag in ICSR2 (a condition for RXI) is automatically cleared to 0 when data are read from ICDRR.
4. When using the TEI interrupt, clear the TEND flag in ICSR2 in the TEI interrupt processing.
Note that the TEND flag in ICSR2 is automatically cleared to 0 when data for transmission are written to ICDRT or a stop condition is detected (STOP flag = 1 in ICSR2).

30.13.1 Buffer Operation for TXI and RXI Interrupts

For the TXI and RXI interrupts, as well as the ICUIRn.IR flag having the value 1 being a condition for issuing the interrupts, the interrupt request is retained within and not output by the ICU (the capacity for internally retaining the interrupts is one request per source).

An interrupt request that was being retained within the ICU is output when the value of the ICUIRn.IR flag becomes 0. Internally retained interrupt requests are automatically cleared under normal conditions of usage.

Internally retained interrupt requests can also be cleared by writing 0 to the interrupt enable bit within the given peripheral module.

30.14 Reset States

The RIIC has chip reset, RIIC reset, and internal reset functions. Table 30.8 lists the scope of each reset and reset conditions.

Table 30.8 Reset Conditions

		Chip Reset	RIIC Reset (ICE = 0, IICRST = 1)	Internal Reset (ICE = 1, IICRST = 1)	Start Condition/ Restart Condition Detection	Stop Condition Detection	
ICCR1	ICE, IICRST	At a reset	Retained	Retained	Operation (retained)	Operation (retained)	
	SCLO, SDAO		At a reset	At a reset			
	Others			Retained			
ICCR2	BBSY	At a reset	At a reset	Operation	Operation	Operation	
	ST			At a reset	At a reset	Operation (retained)	
	Others					At a reset	
ICMR1	BC[2:0]	At a reset	At a reset	At a reset	At a reset	Operation (retained)	
	Others			Retained	Operation (retained)		
ICMR2		At a reset	At a reset	Retained	Operation (retained)	Operation (retained)	
ICMR3		At a reset	At a reset	Retained	Operation (retained)	Operation (retained)	
ICFER		At a reset	At a reset	Retained	Operation (retained)	Operation (retained)	
ICSER		At a reset	At a reset	Retained	Operation (retained)	Operation (retained)	
ICIER		At a reset	At a reset	Retained	Operation (retained)	Operation (retained)	
ICSR1		At a reset	At a reset	At a reset	Operation (retained)	At a reset	
ICSR2	TDRE, TEND	At a reset	At a reset	At a reset	Operation (retained)	At a reset	
	START				Operation		
	STOP				Operation (retained)		Operation
	Others						Operation (retained)
SARL0, 1, 2 SARU0, 1, 2		At a reset	At a reset	Retained	Operation (retained)	Operation (retained)	
ICBRH, ICBRL		At a reset	At a reset	Retained	Operation (retained)	Operation (retained)	
ICDRT		At a reset	At a reset	Retained	Operation (retained)	Operation (retained)	
ICDRR		At a reset	At a reset	Retained	Operation (retained)	Operation (retained)	
ICDRS		At a reset	At a reset	At a reset	Operation (retained)	Operation (retained)	
Timeout function		At a reset	At a reset	Operation	Operation	Operation	
Bus free time measurement		At a reset	At a reset	Operation	Operation	Operation	

30.15 Event Link Output

The event link controller (ELC) handles output of the following event signals.

(1) Transfer error event output

When a transfer error event occurs, the corresponding event signal can be output for another module via the ELC.

(2) Received-data full output

When a received data register becomes full, the corresponding event signal can be output for another module via the ELC.

(3) Transmission-data empty output

When a transmission data register becomes empty, the corresponding event signal can be output for another module via the ELC.

(4) Transmission-completed output

On completion of transfer, the corresponding event signal can be output for another module via the ELC.

30.15.1 Interrupt Handling and Event Linking

The RIIC module produces four kinds of interrupt: transfer-error (arbitration-lost detection, detection of NACK, detection of time-out, or detection of a stop condition) event, received data full, transmission data empty, and transmission completed interrupts detection of a start condition. Each of these has an enable bit to control enabling and disabling of the interrupt signal. An interrupt-request signal is output for the CPU when an interrupt-source condition is satisfied while the setting of the corresponding enable bit is “enabled”.

The corresponding event link output signals are sent to other modules as event signals via the ELC when the interrupt-source conditions are satisfied, regardless of the settings of the interrupt enable bits.

For details on interrupt sources, see Table 30.7.

30.16 Usage Notes

30.16.1 Setting Module Stop Function

Module stop state can be entered or canceled using module stop control register B (MSTPCRB). The initial setting is for operation of the RIIC to be stopped. RIIC register access is enabled by clearing module stop state.

For details of module stop control register B, see section 11, Low Power Consumption.

30.16.2 Points to Note on Starting Transfer

If the ICU.IRn.IR flag is 1 at the time transfer is to be started (by setting the ICCR1.ICE bit to 1), follow the procedure below to clear interrupts before enabling operations. Starting transfer with the ICU.IRn.IR flag set to 1 while the ICCR1.ICE bit is 1 leads to an interrupt request being internally retained after transfer starts, and this can lead to unanticipated behavior of the ICU.IRn.IR flag.

1. Confirm that the ICCR1.ICE bit is 0.
2. Clear the relevant interrupt enable bits (ICIER.TIE, etc.) on the peripheral function side to 0.
3. Read the relevant interrupt enable bits (ICIER.TIE, etc.) on the peripheral function side and confirm that its value is 0.
4. Clear the ICU.IRn.IR flag to 0.

31. Serial Peripheral Interface (RSPI)

31.1 Overview

The RX210 Group includes one independent channels of Serial Peripheral Interface (RSPI).

The RSPI channels are capable of high-speed, full-duplex synchronous serial communications with multiple processors and peripheral devices.

Table 31.1 lists the specifications of the RSPI, and Figure 31.1 shows a block diagram of the RSPI.

In this chapter, a lower-case letter *i* in pin and signal names indicates a value from 0 to 3, and a lower-case letter *m* in RSPI command register *m* (SPCMD*m*) indicates a value from 0 to 7.

Table 31.1 Specifications of RSPI (1/2)

Item	Description
Number of channels	One channel
RSPI transfer functions	<ul style="list-style-type: none"> Use of MOSI (master out/slave in), MISO (master in/slave out), SSL (slave select), and RSPCK (RSPI clock) signals allows serial communications through SPI operation (four-wire method) or clock synchronous operation (three-wire method). Transmit-only operation is available. Capable of serial communications in master/slave mode Switching of the polarity of the serial transfer clock Switching of the phase of the serial transfer clock
Data format	<ul style="list-style-type: none"> MSB-first/LSB-first selectable Transfer bit length is selectable as 8, 9, 10, 11, 12, 13, 14, 15, 16, 20, 24, or 32 bits. 128-bit transmit/receive buffers Up to four frames can be transferred in one round of transmission/reception (each frame consisting of up to 32 bits).
Bit rate	<ul style="list-style-type: none"> In master mode, the on-chip baud rate generator generates RSPCK by frequency-dividing PCLK (the maximum divisor is 4096). In slave mode, the externally input clock is used as the serial clock (the maximum frequency is that of PCLK divided by 8). Width at high level: 4 cycles of PCLK; width at low level: 4 cycles of PCLK
Buffer configuration	Double buffer configuration for the transmit/receive buffers
Error detection	<ul style="list-style-type: none"> Mode fault error detection Overrun error detection Parity error detection
SSL control function	<ul style="list-style-type: none"> Four SSL signals (SSLA0 to SSLA3) for each channel In single-master mode, SSLA0 to SSLA3 signals are output. In multi-master mode: SSLA0 signal for input, and SSLA1 to SSLA3 signals for either output or unused. In slave mode: SSLA0 signal for input, and SSLA1 to SSLA3 signals for unused. Controllable delay from SSL output assertion to RSPCK operation (RSPCK delay) Range: 1 to 8 RSPCK cycles (set in RSPCK-cycle units) Controllable delay from RSPCK stop to SSL output negation (SSL negation delay) Range: 1 to 8 RSPCK cycles (set in RSPCK-cycle units) Controllable wait for next-access SSL output assertion (next-access delay) Range: 1 to 8 RSPCK cycles (set in RSPCK-cycle units) Function for changing SSL polarity
Control in master transfer	<ul style="list-style-type: none"> A transfer of up to eight commands can be executed sequentially in looped execution. For each command, the following can be set: SSL signal value, bit rate, RSPCK polarity/phase, transfer data length, MSB/LSB-first, burst, RSPCK delay, SSL negation delay, and next-access delay A transfer can be initiated by writing to the transmit buffer. MOSI signal value specifiable in SSL negation
Interrupt sources	<ul style="list-style-type: none"> Maskable interrupt sources RSPI receive interrupt (receive buffer full) RSPI transmit interrupt (transmit buffer empty) RSPI error interrupt (mode fault, overrun, parity error) RSPI idle interrupt (RSPI idle)

Table 31.1 Specifications of RSPI (2/2)

Item	Description
Event linking	The following five types of events can be output to the event link controller. <ul style="list-style-type: none">• Reception-buffer full event output• Transmission-buffer empty event output• Mode fault, overrun, or parity error event output• RSPI idle event output• Transmission-completed event output
Others	<ul style="list-style-type: none">• Function for switching between CMOS output and open-drain output• Function for initializing the RSPI• Loopback mode
Power consumption reducing function	Module stop state can be set.

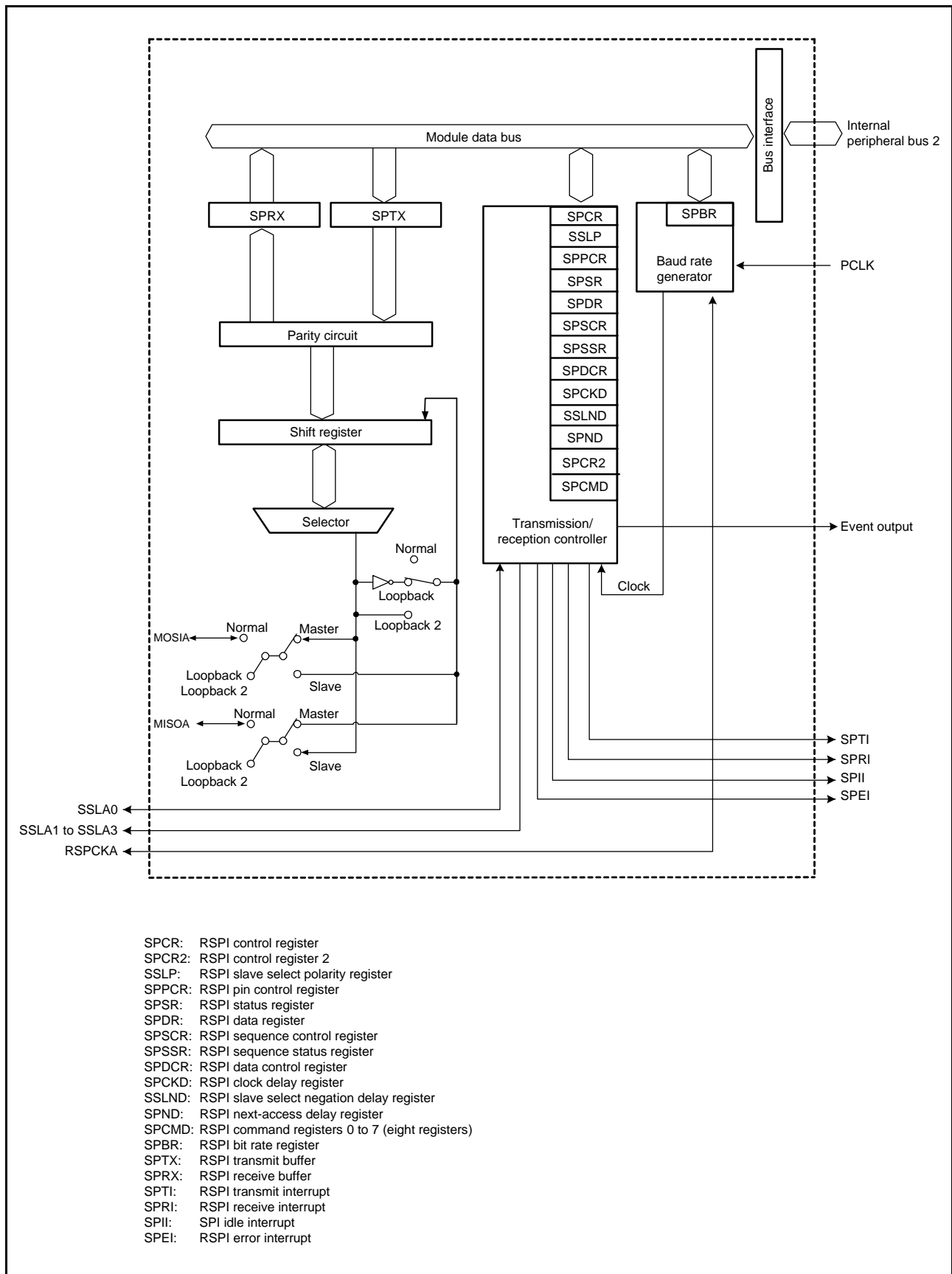


Figure 31.1 Block Diagram of RSPI

Table 31.2 lists the input and output pins used in the RSPI.

The RSPI automatically switches the input/output direction of the SSLA0 pin. SSLA0 is set as an output when the RSPI is a single master and as an input when the RSPI is a multi-master or a slave. Pins RSPCKA, MOSIA, and MISOA are automatically set as inputs or outputs according to the setting of master or slave and the level input on the SSLA0 pin (see section 31.3.2, Controlling RSPI Pins).

Table 31.2 RSPI Pin Configuration

Channel	Pin Name	I/O	Function
RSPI0	RSPCKA	I/O	Clock I/O pin
	MOSIA	I/O	Master transmit data I/O pin
	MISOA	I/O	Slave transmit data I/O pin
	SSLA0	I/O	Slave selection I/O pin
	SSLA1	Output	Slave selection output pin
	SSLA2	Output	Slave selection output pin
	SSLA3	Output	Slave selection output pin

31.2 Register Descriptions

31.2.1 RSPI Control Register (SPCR)

Address(es): 0008 8380h

	b7	b6	b5	b4	b3	b2	b1	b0
	SPRIE	SPE	SPTIE	SPEIE	MSTR	MODFEN	TXMD	SPMS
Value after reset:	0	0	0	0	0	0	0	0

Bit	Symbol	Bit Name	Description	R/W
b0	SPMS	RSPI Mode Select	0: SPI operation (four-wire method) 1: Clock synchronous operation (three-wire method)	R/W
b1	TXMD	Communications Operating Mode Select	0: Full-duplex synchronous serial communications 1: Serial communications consisting of only transmit operations	R/W
b2	MODFEN	Mode Fault Error Detection Enable	0: Disables the detection of mode fault error 1: Enables the detection of mode fault error	R/W
b3	MSTR	RSPI Master/Slave Mode Select	0: Slave mode 1: Master mode	R/W
b4	SPEIE	RSPI Error Interrupt Enable	0: Disables the generation of RSPI error interrupt requests 1: Enables the generation of RSPI error interrupt requests	R/W
b5	SPTIE	RSPI Transmit Interrupt Enable	0: Disables the generation of RSPI transmit interrupt requests 1: Enables the generation of RSPI transmit interrupt requests	R/W
b6	SPE	RSPI Function Enable	0: Disables the RSPI function 1: Enables the RSPI function	R/W
b7	SPRIE	RSPI Receive Interrupt Enable	0: Disables the generation of RSPI receive interrupt requests 1: Enables the generation of RSPI receive interrupt requests	R/W

If the SPCR.MSTR, SPCR.MODFEN, and SPCR.TXMD bits are changed while the SPCR.SPE bit is 1, subsequent operations cannot be guaranteed.

SPMS Bit (RSPI Mode Select)

The SPMS bit selects SPI operation (four-wire method) or clock synchronous operation (three-wire method).

The SSLA0 to SSLA3 pins are not used in clock synchronous operation. The three pins RSPCKA, MOSIA, and MISOA handle communications. If clock-synchronous operation is to proceed in master mode (SPCR.MSTR = 1), the SPCMDm.CPHA bit can be set to either 0 or 1. Set the CPHA bit to 1 if clock-synchronous operation is to proceed in slave mode (SPCR.MSTR = 0). Operation is not guaranteed if the CPHA bit is set to 0 when clock-synchronous operation is to proceed in slave mode (SPCR.MSTR = 0).

TXMD Bit (Communications Operating Mode Select)

The TXMD bit selects full-duplex synchronous serial communications or transmit operations only.

When performing communications with the TXMD bit set to 1, the RSPI performs only transmit operations and not receive operations (see section 31.3.6, Communications Operating Mode).

When the TXMD bit is set to 1, receive buffer full interrupt requests cannot be used.

MODFEN Bit (Mode Fault Error Detection Enable)

The MODFEN bit enables or disables the detection of mode fault error (see section 31.3.8, Error Detection). In addition, the RSPI determines the input/output direction of the SSLA0 to SSLA3 pins based on combinations of the MODFEN and MSTR bits (see section 31.3.2, Controlling RSPI Pins).

MSTR Bit (RSPI Master/Slave Mode Select)

The MSTR bit selects master/slave mode of the RSPI. According to MSTR bit settings, the RSPI determines the direction of pins RSPCKA, MOSIA, MISOA, and SSLA0 to SSLA3.

SPEIE Bit (RSPI Error Interrupt Enable)

The SPEIE bit enables or disables the generation of RSPI error interrupt requests when the RSPI detects a mode fault error and sets the SPSR.MODF flag to 1, when the RSPI detects an overrun error and sets the SPSR.OVRF flag to 1, or when the RSPI detects a parity error and sets the SPSR.PERF flag to 1 (see section 31.3.8, Error Detection).

SPE Bit (RSPI Function Enable)

The SPE bit enables or disables the RSPI function.

When the SPSR.MODF bit is 1, the SPE bit cannot be set to 1. For details, refer to section 31.3.8, Error Detection. Setting the SPE bit to 0 disables the RSPI function, and initializes a part of the module function. For details, refer to section 31.3.9, Initializing RSPI. Furthermore, an RSPI transmission interrupt request is generated by the state of the SPE bit changing from 0 to 1 or from 1 to 0.

31.2.2 RSPI Slave Select Polarity Register (SSLP)

Address(es): 0008 8381h

b7	b6	b5	b4	b3	b2	b1	b0
—	—	—	—	SSL3P	SSL2P	SSL1P	SSL0P

Value after reset: 0 0 0 0 0 0 0 0

Bit	Symbol	Bit Name	Description	R/W
b0	SSL0P	SSL0 Signal Polarity Setting	0: SSL0 signal is active low 1: SSL0 signal is active high	R/W
b1	SSL1P	SSL1 Signal Polarity Setting	0: SSL1 signal is active low 1: SSL1 signal is active high	R/W
b2	SSL2P	SSL2 Signal Polarity Setting	0: SSL2 signal is active low 1: SSL2 signal is active high	R/W
b3	SSL3P	SSL3 Signal Polarity Setting	0: SSL3 signal is active low 1: SSL3 signal is active high	R/W
b7 to b4	—	Reserved	These bits are read as 0. The write value should be 0.	R/W

If the contents of SSLP are changed while the SPCR.SPE bit is 1, subsequent operations are not guaranteed.

31.2.3 RSPI Pin Control Register (SPPCR)

Address(es): 0008 8382h

b7	b6	b5	b4	b3	b2	b1	b0
—	—	MOIFE	MOIFV	—	—	SPLP2	SPLP
0	0	0	0	0	0	0	0

Value after reset:

Bit	Symbol	Bit Name	Description	R/W
b0	SPLP	RSPI Loopback	0: Normal mode 1: Loopback mode (reversed transmit data = receive data)	R/W
b1	SPLP2	RSPI Loopback 2	0: Normal mode 1: Loopback mode (transmit data = receive data)	R/W
b3, b2	—	Reserved	These bits are read as 0. The write value should be 0.	R/W
b4	MOIFV	MOSI Idle Fixed Value	0: The level output on the MOSIA pin during MOSI idling corresponds to low. 1: The level output on the MOSIA pin during MOSI idling corresponds to high.	R/W
b5	MOIFE	MOSI Idle Value Fixing Enable	0: MOSI output value equals final data from previous transfer 1: MOSI output value equals the value set in the MOIFV bit	R/W
b7, b6	—	Reserved	These bits are read as 0. The write value should be 0.	R/W

If the contents of SPPCR are changed while the SPCR.SPE bit is 1, subsequent operations are not guaranteed.

SPLP Bit (RSPI Loopback)

The SPLP bit selects the mode of the RSPI pins.

When the SPLP bit is set to 1, the RSPI shuts off the path between the MISOA pin and the shift register if the SPCR.MSTR bit is 1, and between the MOSIA pin and the shift register if the SPCR.MSTR bit is 0, and connects (reverses) the input path and output path for the shift register (loopback mode).

SPLP2 Bit (RSPI Loopback 2)

The SPLP2 bit selects the mode of the RSPI pins.

When the SPLP2 bit is set to 1, the RSPI shuts off the path between the MISOA pin and the shift register if the SPCR.MSTR bit is 1, and between the MOSIA pin and the shift register if the SPCR.MSTR bit is 0, and connects the input path and output path for the shift register (loopback mode).

MOIFV Bit (MOSI Idle Fixed Value)

If the MOIFE bit is 1 in master mode, the MOIFV bit determines the MOSIA pin output value during the SSL negation period (including the SSL retention period during a burst transfer).

MOIFE Bit (MOSI Idle Value Fixing Enable)

The MOIFE bit fixes the MOSIA output value when the RSPI in master mode is in an SSL negation period (including the SSL retention period during a burst transfer). When the MOIFE bit is 0, the RSPI outputs the last data from the previous serial transfer during the SSL negation period to the MOSIA pin. When the MOIFE bit is 1, the RSPI outputs the fixed value set in the MOIFV bit to the MOSIA pin.

31.2.4 RSPI Status Register (SPSR)

Address(es): 0008 8383h

b7	b6	b5	b4	b3	b2	b1	b0
—	—	—	—	PERF	MODF	IDLNF	OVRF

Value after reset: x 0 x 0 0 0 0 0

x: Undefined

Bit	Symbol	Bit Name	Description	R/W
b0	OVRF	Overrun Error Flag	0: No overrun error occurs 1: An overrun error occurs	R/(W) *1
b1	IDLNF	RSPI Idle Flag	0: RSPI is in the idle state 1: RSPI is in the transfer state	R
b2	MODF	Mode Fault Error Flag	0: No mode fault error occurs 1: A mode fault error occurs	R/(W) *1
b3	PERF	Parity Error Flag	0: No parity error occurs 1: A parity error occurs	R/(W) *1
b4	—	Reserved	This bit is read as 0. The write value should be 0.	R/W
b5	—	Reserved	The read value is undefined. The write value should be 1.	R/W
b6	—	Reserved	This bit is read as 0. The write value should be 0.	R/W
b7	—	Reserved	The read value is undefined. The write value should be 1.	R/W

Note 1. Only 0 can be written to clear the flag after reading 1.

SPSR indicates the operating status of the RSPI. Writing to SPSR can only be performed under certain conditions.

OVRF Flag (Overrun Error Flag)

The OVRF flag indicates the occurrence of an overrun error.

[Setting condition]

- When a serial transfer ends while the SPCR.TXMD bit is 0 and the receive buffer is full.

[Clearing condition]

- When SPSR is read while the OVRF flag is 1, and then writes the value 0 to the OVRF flag.

IDLNF Flag (RSPI Idle Flag)

The IDLNF flag indicates the transfer status of the RSPI.

[Setting condition]

Master mode

- Neither condition 1 nor condition 2 is satisfied in master mode under the clearing conditions below.

Slave mode

- The SPCR.SPE bit is 1 (RSPI function is enabled)

[Clearing conditions]

Master mode

- The following 1 is satisfied (condition 1) or all of the following 2 to 4 are satisfied (condition 2).
 1. The SPCR.SPE bit is 0 (RSPI is initialized)
 2. The transmit buffer (SPTX) is empty (data for the next transfer is not set)
 3. The SPSSR.SPCP[2:0] bits are 000b (beginning of sequence control)
 4. The RSPI internal sequencer has entered the idle state (status in which operations up to the next-access delay have finished)

The flag is cleared to 0 when the above first clearing condition is satisfied or all of the second to fourth clearing conditions are satisfied.

Slave mode

- The SPCR.SPE bit is 0 (RSPI is initialized)

MODF Flag (Mode Fault Error Flag)

Indicates the occurrence of a mode fault error.

[Setting condition]

Multi-master mode

- When the input level of the SSLAi pin changes to the active level while the SPCR.MSTR bit is 1 (master mode) and the SPCR.MODFEN bit is 1 (mode fault error detection is enabled), the RSPI detects a mode fault error

Slave mode

- When the SSLAi pin is negated before the RSPCK cycle necessary for data transfer ends while the SPCR.MSTR bit is 0 (slave mode) and the SPCR.MODFEN bit is 1 (mode fault error detection is enabled), the RSPI detects a mode fault error

The active level of the SSLAi signal is determined by the SSLP.SSLiP bit (SSL signal polarity setting bit).

[Clearing condition]

- When SPSR is read while the MODF flag is 1, and then writes the value 0 to the MODF flag

PERF Flag (Parity Error Flag)

Indicates the occurrence of a parity error.

[Setting condition]

- When a serial transfer ends while the SPCR.TXMD bit is 0 and the SPCR2.SPPE bit is 1, the RSPI detects a parity error

[Clearing condition]

- When SPSR is read while the PERF flag is 1, and then writes the value 0 to the PERF flag

31.2.5 RSPI Data Register (SPDR)

Address(es): 0008 8384h

b31	b30	b29	b28	b27	b26	b25	b24	b23	b22	b21	b20	b19	b18	b17	b16
SPD31	SPD30	SPD29	SPD28	SPD27	SPD26	SPD25	SPD24	SPD23	SPD22	SPD21	SPD20	SPD19	SPD18	SPD17	SPD16
Value after reset: 0 0 0 0 0 0 0 0 0 0 0 0 0 0 0 0															
b15	b14	b13	b12	b11	b10	b9	b8	b7	b6	b5	b4	b3	b2	b1	b0
SPD15	SPD14	SPD13	SPD12	SPD11	SPD10	SPD9	SPD8	SPD7	SPD6	SPD5	SPD4	SPD3	SPD2	SPD1	SPD0
Value after reset: 0 0 0 0 0 0 0 0 0 0 0 0 0 0 0 0															

SPDR is the interface with the buffers that hold data for transmission and reception by the RSPI. The transmit buffer (SPTX) and receive buffer (SPRX) are independent but are both mapped to SPDR. Figure 31.2 shows the Configuration of SPDR.

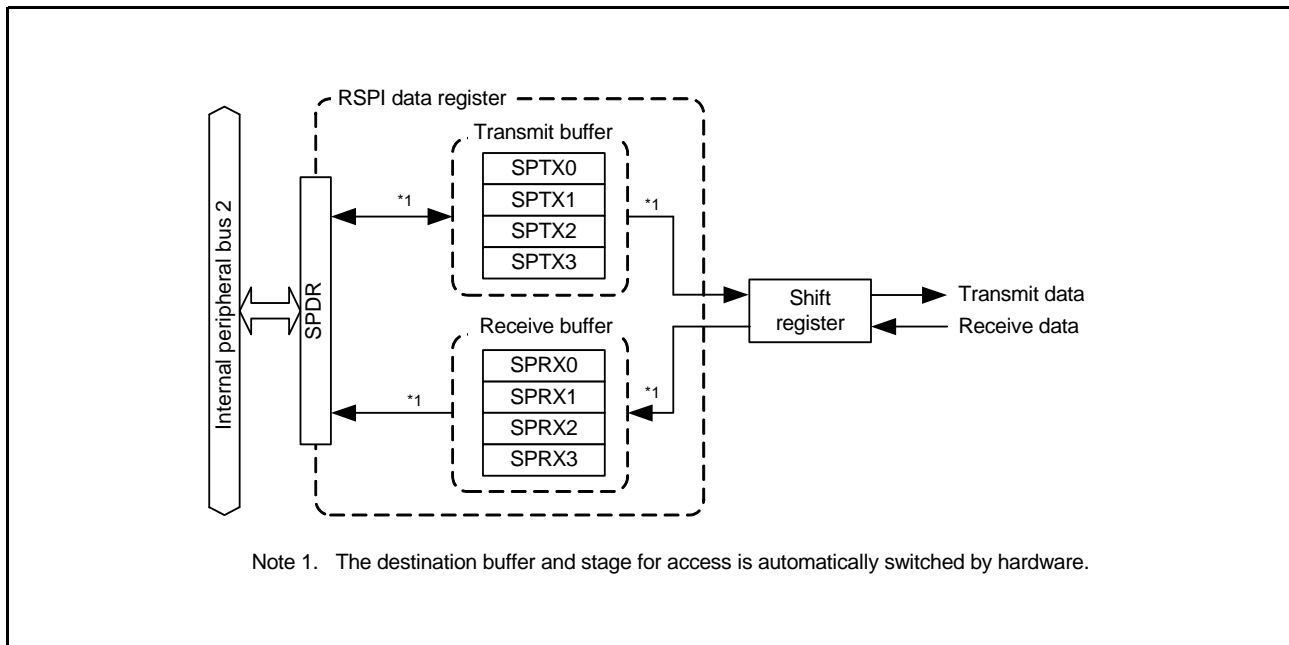


Figure 31.2 Configuration of SPDR

The transmit and receive buffers have four stages each. The number of stages to be used is selectable by the frame-number setting bits in the RSPI data control register (SPDCR.SPFC[1:0]). The eight stages of the buffer are all mapped to the single address of SPDR.

Data written to SPDR are written to a transmit-buffer stage (SPTX_n) and then transmitted from the buffer. The receive buffer holds received data on completion of reception. The receive buffer is not updated if an overrun is generated. Furthermore, if the data length is other than 32 bits, bits not referred to in SPTX_n (n = 0 to 3) are stored in the corresponding bits in SPRX_n. For example, if the data length is nine bits, the SPTX_n[31:9] bits are stored in SPRX_n[31:9] (and received data are stored in the SPRX_n[8:0] bits).

(1) Bus Interface

SPDR is the interface with 32-bit wide transmit and receive buffers, each of which has four stages, for a total of 32 bytes. In other words, the 32 bytes are mapped to the four-byte address space for SPDR. Furthermore, the unit of access for SPDR is selected by the long-word or word access setting bit in the RSPI data control register (SPDCR.SPLW).

Data for transmission should be flush with the LSB end of the register. Received data are stored flush with the LSB end. Operations involved in writing to and reading from SPDR are described below.

(a) Writing

SPDR can be written to write a value to a transmit buffer (SPTX_n). This is not influenced by the value of the SPDCR.SPRDTD bit unlike when reading the SPDR register.

The transmit buffer includes a transmit buffer write pointer which is automatically updated to indicate the next stage each time data is written to SPDR.

Figure 31.3 shows the configuration of the bus interface with the transmit buffer in the case of writing to SPDR.

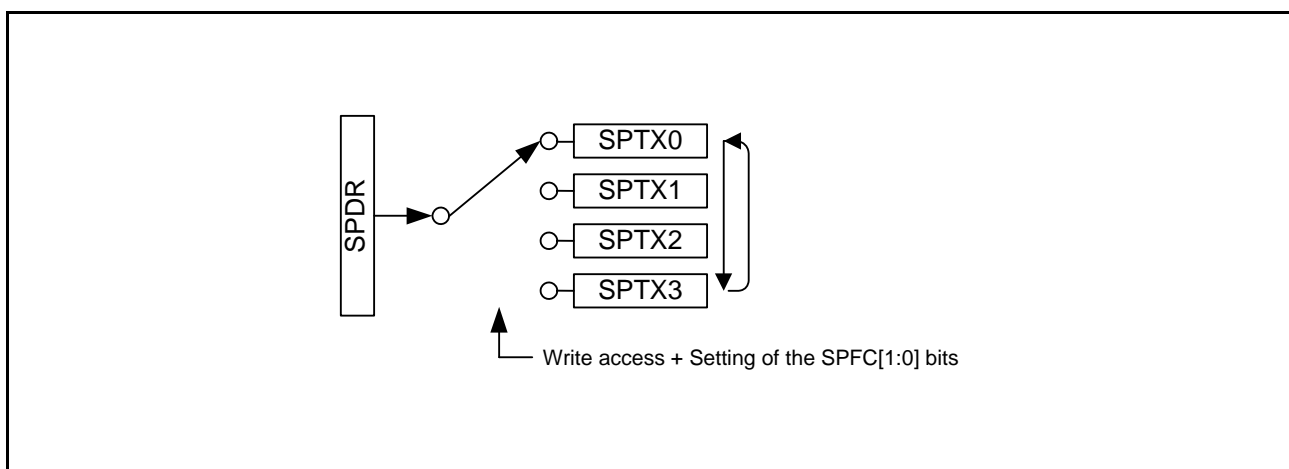


Figure 31.3 Configuration of SPDR (Writing)

The sequence for switching the transmit buffer write pointer differs with the setting of the frame-number setting bits in the RSPI data control register (SPDCR.SPFC[1:0]).

- Settings of the SPFC[1:0] bits and sequence of switching the pointer among SPTX0 to SPTX3.
 - When the SPFC[1:0] bits are 00b: SPTX0 → SPTX0 → SPTX0 → ...
 - When the SPFC[1:0] bits are 01b: SPTX0 → SPTX1 → SPTX0 → SPTX1 → ...
 - When the SPFC[1:0] bits are 10b: SPTX0 → SPTX1 → SPTX2 → SPTX0 → SPTX1 → ...
 - When the SPFC[1:0] bits are 11b: SPTX0 → SPTX1 → SPTX2 → SPTX3 → SPTX0 → SPTX1 → ...

When 1 is written to the RSPI function enable bit in the RSPI control register (SPCR.SPE) while the bit's current value is 0, SPTX0 will be the destination the next time writing proceeds.

When writing to the transmission buffer (SPTX_n) after generation of the RSPI transmission interrupt, write the number of frames set by the number of frames specification bits (SPFC[1:0]) in the RSPI data control register (SPDCR). Writing to the transmission buffer (SPTX_n) before the next RSPI transmission interrupt breaks off write access to the SPDR.

(b) Reading

SPDR can be read to read the value of a receive buffer (SPRXn; n = 0 to 3) or a transmit buffer (SPTXn; n = 0 to 3). The setting of the RSPI transmit/receive data selection bit in the RSPI data control register (SPDCR.SPRDTD) selects whether reading is of the receive or transmit buffer.

The structure of the SPDR when it is read includes two independent pointers (receive buffer read pointer and transmit buffer read pointer). Reading SPDR causes automatic updating of the pointer so that it indicates the next stage of the buffer.

Figure 31.4 shows the configuration of the bus interface with the receive and transmit buffers in the case of reading from SPDR.

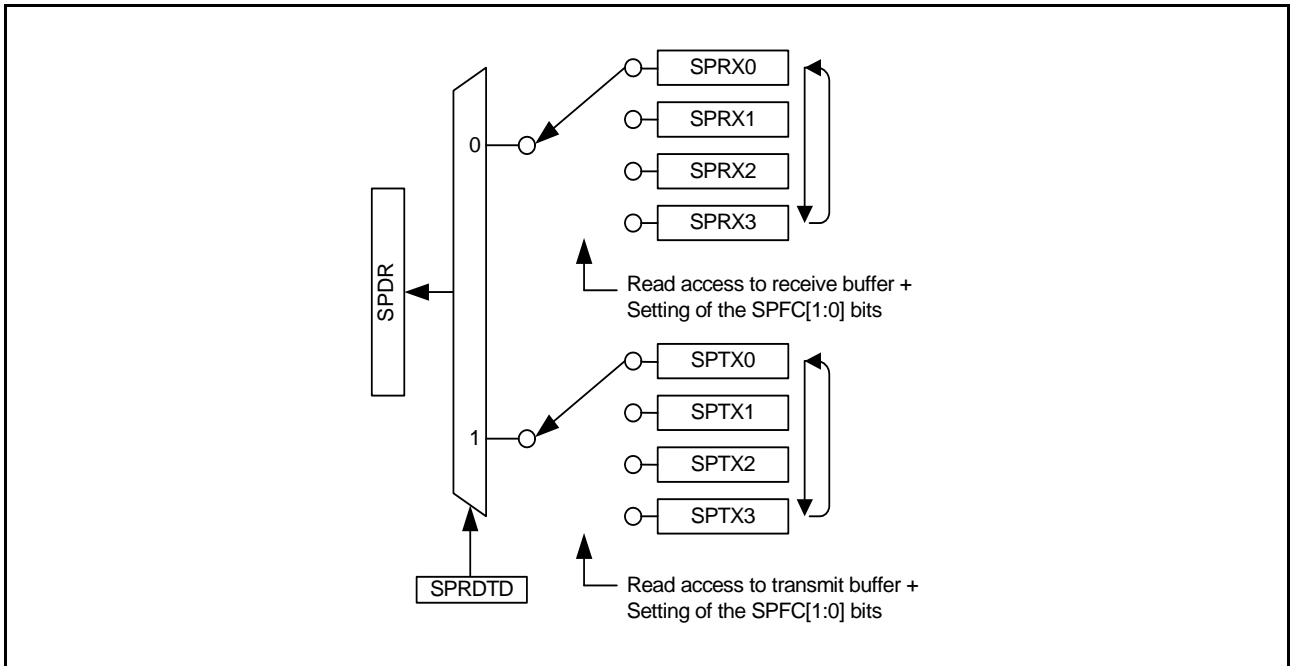


Figure 31.4 Configuration of SPDR (Reading)

The sequence for switching the receive buffer read pointer is the same as that for the transmit buffer write pointer. When reading is from the transmit buffer, the value before that most recently written is read. Furthermore, only the read pointer for the buffer that is currently selected for reading by the setting of the RSPI transmit/receive data selection bit in the RSPI data control register (SPDCR.SPRDTD) is updated, and the state of the read pointer for the other buffer is preserved.

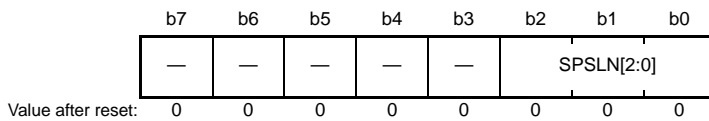
When 1 is written to the RSPI function enable bit in the RSPI control register (SPCR.SPE) while the bit's current value is 0, SPRX0 will be indicated by the buffer read pointer the next time reading proceeds.

If the transmission buffer is read in the interval after writing of the number of frames of data for transmission specified in the number of frames specification bits (SPFC[1:0]) in the RSPI data control register (SPDCR) and generation of the RSPI transmission interrupt, and before the next RSPI transmission interrupt, all bits of the value read are 0.

The SPTXn buffer-reading pointer is cleared when the number of frames of data for transmission specified in the number of frames specification bits (SPFC[1:0]) in the RSPI data control register (SPDCR) are written after generation of the RSPI transmission interrupt.

31.2.6 RSPI Sequence Control Register (SPSCR)

Address(es): 0008 8388h



Bit	Symbol	Bit Name	Description	R/W																																				
b2 to b0	SPSLN[2:0]	RSPI Sequence Length Specification	<table border="0"> <tr> <td>b2</td> <td>b0</td> <td>Sequence Length</td> <td>Referenced SPCMD0 to SPCMD7 (No.)</td> </tr> <tr> <td>0 0 0:</td> <td>1</td> <td></td> <td>0→0→...</td> </tr> <tr> <td>0 0 1:</td> <td>2</td> <td></td> <td>0→1→0→...</td> </tr> <tr> <td>0 1 0:</td> <td>3</td> <td></td> <td>0→1→2→0→...</td> </tr> <tr> <td>0 1 1:</td> <td>4</td> <td></td> <td>0→1→2→3→0→...</td> </tr> <tr> <td>1 0 0:</td> <td>5</td> <td></td> <td>0→1→2→3→4→0→...</td> </tr> <tr> <td>1 0 1:</td> <td>6</td> <td></td> <td>0→1→2→3→4→5→0→...</td> </tr> <tr> <td>1 1 0:</td> <td>7</td> <td></td> <td>0→1→2→3→4→5→6→0→...</td> </tr> <tr> <td>1 1 1:</td> <td>8</td> <td></td> <td>0→1→2→3→4→5→6→7→0→...</td> </tr> </table> <p>SPCMD0 to SPCMD7 to be referenced and the order in which they are referenced are changed according to the sequence length that is set in these bits. The relationship among the setting of these bits, sequence length, and SPCMD0 to SPCMD7 registers referenced by the RSPI is shown above. However, the RSPI in slave mode always references SPCMD0.</p>	b2	b0	Sequence Length	Referenced SPCMD0 to SPCMD7 (No.)	0 0 0:	1		0→0→...	0 0 1:	2		0→1→0→...	0 1 0:	3		0→1→2→0→...	0 1 1:	4		0→1→2→3→0→...	1 0 0:	5		0→1→2→3→4→0→...	1 0 1:	6		0→1→2→3→4→5→0→...	1 1 0:	7		0→1→2→3→4→5→6→0→...	1 1 1:	8		0→1→2→3→4→5→6→7→0→...	R/W
b2	b0	Sequence Length	Referenced SPCMD0 to SPCMD7 (No.)																																					
0 0 0:	1		0→0→...																																					
0 0 1:	2		0→1→0→...																																					
0 1 0:	3		0→1→2→0→...																																					
0 1 1:	4		0→1→2→3→0→...																																					
1 0 0:	5		0→1→2→3→4→0→...																																					
1 0 1:	6		0→1→2→3→4→5→0→...																																					
1 1 0:	7		0→1→2→3→4→5→6→0→...																																					
1 1 1:	8		0→1→2→3→4→5→6→7→0→...																																					
b7 to b3	—	Reserved	These bits are read as 0. The write value should be 0.	R/W																																				

SPSCR sets the sequence length when the RSPI operates in master mode. When changing the SPSCR.SPSLN[2:0] bits while both the SPCR.MSTR and SPCR.SPE bits are 1, the bits should be changed while the SPSR.IDLNF flag is 0.

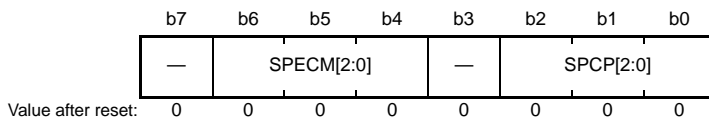
SPSLN[2:0] Bits (RSPI Sequence Length Specification)

The SPSLN[2:0] bits specify a sequence length when the RSPI in master mode performs sequential operations. The RSPI in master mode changes SPCMD0 to SPCMD7 registers to be referenced and the order in which they are referenced according to the sequence length that is set in the SPSLN[2:0] bits.

In slave mode, SPCMD0 is always referred to.

31.2.7 RSPI Sequence Status Register (SPSSR)

Address(es): 0008 8389h



Bit	Symbol	Bit Name	Description	R/W
b2 to b0	SPCP[2:0]	RSPI Command Pointer	b2 b0 0 0 0: SPCMD0 0 0 1: SPCMD1 0 1 0: SPCMD2 0 1 1: SPCMD3 1 0 0: SPCMD4 1 0 1: SPCMD5 1 1 0: SPCMD6 1 1 1: SPCMD7	R
b3	—	Reserved	This bit is read as 0.	R
b6 to b4	SPECM[2:0]	RSPI Error Command	b6 b4 0 0 0: SPCMD0 0 0 1: SPCMD1 0 1 0: SPCMD2 0 1 1: SPCMD3 1 0 0: SPCMD4 1 0 1: SPCMD5 1 1 0: SPCMD6 1 1 1: SPCMD7	R
b7	—	Reserved	This bit is read as 0.	R

SPSSR indicates the sequence control status when the RSPI operates in master mode. Any writing to SPSSR is ignored.

SPCP[2:0] Bits (RSPI Command Pointer)

The SPCP[2:0] bits indicate SPCMD_m that is currently pointed to by the pointer during sequence control by the RSPI. For the RSPI's sequence control, see section 31.3.10.1, Master Mode Operation.

SPECM[2:0] Bits (RSPI Error Command)

The SPECM[2:0] bits indicate SPCMD_m that is specified by the SPCP[2:0] bits when an error is detected during sequence control by the RSPI. The RSPI updates the SPECM[2:0] bits only when an error is detected. If both the SPSR.OVRF and SPSR.MODF bits are 0 and there is no error, the values of the SPECM[2:0] bits have no meaning. For the RSPI's error detection function, see section 31.3.8, Error Detection. For the RSPI's sequence control, see section 31.3.10.1, Master Mode Operation.

31.2.8 RSPI Bit Rate Register (SPBR)

Address(es): 0008 838Ah

b7	b6	b5	b4	b3	b2	b1	b0
SPR7	SPR6	SPR5	SPR4	SPR3	SPR2	SPR1	SPR0
Value after reset:	1	1	1	1	1	1	1

SPBR sets the bit rate in master mode. If the contents of SPBR are changed while both the SPCR.MSTR and SPCR.SPE bits are 1, subsequent operations cannot be guaranteed.

When the RSPI is used in slave mode, the bit rate depends on the bit rate of the input clock (bit rate satisfying the electrical characteristics should be used) regardless of the settings of SPBR and the SPCMDm.BRDV[1:0] bits (bit rate division setting bits).

The bit rate is determined by combinations of the SPBR setting and the SPCMDm.BRDV[1:0] bit setting. The equation for calculating the bit rate is given below. In the equation, n denotes an SPBR setting (0, 1, 2, ..., 255), and N denotes a BRDV[1:0] bit setting (0, 1, 2, 3).

$$\text{Bit rate} = \frac{f(\text{PCLK})}{2 \times (n + 1) 2^N}$$

Table 31.3 lists examples of the relationship among the SPBR settings, the BRDV[1:0] settings, and bit rates.

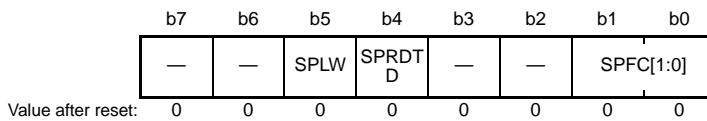
Table 31.3 Relationship among SPBR Settings, BRDV[1:0] Settings, and Bit Rates*1

SPBR (n)	BRDV[1:0] Bits (N)	Division Ratio	Bit Rate
			PCLK = 32 MHz
0	0	2	16.0 Mbps*1
1	0	4	8.00 Mbps
2	0	6	5.33 Mbps
3	0	8	4.00 Mbps
4	0	10	3.20 Mbps
5	0	12	2.67 Mbps
5	1	24	1.33 Mbps
5	2	48	667 kbps
5	3	96	333 kbps
255	3	4096	7.81 kbps

Note 1. The setting for transfer at 16 Mbps is available only for products with 768 Kbytes or more of ROM or 144/145-pin packages. For the other products, the setting must be 8 Mbps or lower.

31.2.9 RSPI Data Control Register (SPDCR)

Address(es): 0008 838Bh



Bit	Symbol	Bit Name	Description	R/W
b1, b0	SPFC[1:0]	Number of Frames Specification	b1 b0 0 0: 1 frame 0 1: 2 frames 1 0: 3 frames 1 1: 4 frames	R/W
b3, b2	—	Reserved	These bits are read as 0. The write value should be 0.	R/W
b4	SPRDTD	RSPI Receive/Transmit Data Selection	0: SPDR values are read from the receive buffer 1: SPDR values are read from the transmit buffer (but only if the transmit buffer is empty)	R/W
b5	SPLW	RSPI Longword Access/Word Access Specification	0: SPDR is accessed in words 1: SPDR is accessed in longwords	R/W
b7, b6	—	Reserved	These bits are read as 0. The write value should be 0.	R/W

Up to four frames can be transmitted or received in one round of transmission or reception activation. The amount of data in each transfer is controlled by the combination of the SPCMDm.SPB[3:0] bits, the SPSCR.SPSSLN[2:0] bits, and the SPDCR.SPFC[1:0] bits.

When changing the SPDCR.SPFC[1:0] bits while the SPSCR.SPE bit is 1, the bits should be changed while the SPSR.IDLNF flag is 0.

SPFC[1:0] Bits (Number of Frames Specification)

The SPFC[1:0] bits specify the number of frames that can be stored in SPDR (per transfer activation). Up to four frames can be transmitted or received in one round of transmission or reception, and the amount of data is determined by the combination of the SPSCR.SPSSLN[2:0] bits, and the SPDCR.SPFC[1:0] bits. Furthermore, the setting of the SPFC[1:0] bits adjusts the number of frames for generation of RSPI reception interrupts, and start of transmission or generation of RSPI transmission interrupts. Table 31.4 show the frame configurations that can be stored in SPDR and examples of combinations of settings for transmission and reception. If combinations of settings other than those shown in the examples are made, subsequent operations are not guaranteed.

Table 31.4 Settable Combinations of SPSLN[2:0] Bits and SPFC[1:0] Bits

Setting	SPSLN[2:0]	SPFC[1:0]	Number of Frames in a Single Sequence	Number of Frames at which Receive Buffer Full Interrupt Occurs or Transmit Buffer Holding Data is Recognized
1-1	000	00	1	1
1-2	000	01	2	2
1-3	000	10	3	3
1-4	000	11	4	4
2-1	001	01	2	2
2-2	001	11	4	4
3	010	10	3	3
4	011	11	4	4
5	100	00	5	1
6	101	00	6	1
7	110	00	7	1
8	111	00	8	1

SPRDTD Bit (RSPI Receive/Transmit Data Selection)

The SPRDTD bit selects whether the SPDR reads values from the receive buffer or from the transmit buffer.

If reading is from the transmit buffer, the value written to SPDR register immediately beforehand is read.

When reading the transmit buffer, do so before writing of the number of frames set in the SPFC[1:0] bits is finished and after generation of the RSPI transmission interrupt.

For details, see section 31.2.5, RSPI Data Register (SPDR).

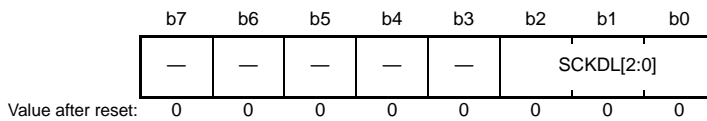
SPLW Bit (RSPI Longword Access/Word Access Specification)

The SPLW bit specifies the access width for SPDR. Access to SPDR is in words when the SPLW bit is 0 and in longwords when the SPLW bit is 1.

Also, when the SPLW bit is 0, set the SPCMDm.SPB[3:0] bits (RSPI data length specification bits) to 8 to 16 bits. When 20, 24, or 32 bits is specified, operation is not guaranteed.

31.2.10 RSPI Clock Delay Register (SPCKD)

Address(es): 0008 838Ch



Bit	Symbol	Bit Name	Description	R/W
b2 to b0	SCKDL[2:0]	RSPCK Delay Setting	b2 b0 0 0 0: 1 RSPCK 0 0 1: 2 RSPCK 0 1 0: 3 RSPCK 0 1 1: 4 RSPCK 1 0 0: 5 RSPCK 1 0 1: 6 RSPCK 1 1 0: 7 RSPCK 1 1 1: 8 RSPCK	R/W
b7 to b3	—	Reserved	These bits are read as 0. The write value should be 0.	R/W

SPCKD sets a period from the beginning of SSLAi signal assertion to RSPCK oscillation (RSPCK delay) when the SPCMDm.SCKDEN bit is 1. If the contents of SPCKD are changed while both the SPCR.MSTR and SPCR.SPE bits are 1, subsequent operations cannot be guaranteed.

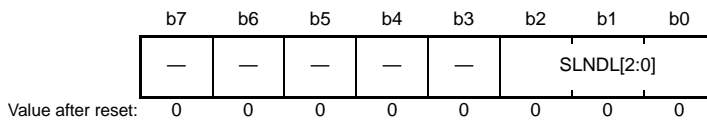
SCKDL[2:0] Bits (RSPCK Delay Setting)

The SCKDL[2:0] bits set an RSPCK delay value when the SPCMDm.SCKDEN bit is 1.

When using the RSPI in slave mode, set the SCKDL[2:0] bits to 000b.

31.2.11 RSPI Slave Select Negation Delay Register (SSLND)

Address(es): 0008 838Dh



Bit	Symbol	Bit Name	Description	R/W
b2 to b0	SLNDL[2:0]	SSL Negation Delay Setting	b2 b0 0 0 0: 1 RSPCK 0 0 1: 2 RSPCK 0 1 0: 3 RSPCK 0 1 1: 4 RSPCK 1 0 0: 5 RSPCK 1 0 1: 6 RSPCK 1 1 0: 7 RSPCK 1 1 1: 8 RSPCK	R/W
b7 to b3	—	Reserved	These bits are read as 0. The write value should be 0.	R/W

SSLND sets a period (SSL negation delay) from the transmission of a final RSPCK edge to the negation of the SSLAi signal during a serial transfer by the RSPI in master mode. If the contents of SSLND are changed while both the SPCR.MSTR and SPCR.SPE bits are 1, subsequent operations cannot be guaranteed.

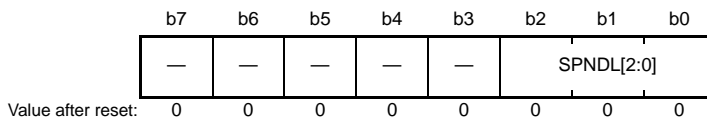
SLNDL[2:0] Bits (SSL Negation Delay Setting)

The SLNDL[2:0] bits set an SSL negation delay value when the RSPI is in master mode.

When using the RSPI in slave mode, set the SLNDL[2:0] bits to 000b.

31.2.12 RSPI Next-Access Delay Register (SPND)

Address(es): 0008 838Eh



Bit	Symbol	Bit Name	Description	R/W																								
b2 to b0	SPNDL[2:0]	RSPI Next-Access Delay Setting	<table style="border: none; width: 100%;"> <tr> <td style="width: 10%; text-align: right;">b2</td> <td style="width: 10%; text-align: right;">b0</td> <td style="width: 80%;">0 0 0: 1 RSPCK + 2 PCLK</td> </tr> <tr> <td></td> <td></td> <td>0 0 1: 2 RSPCK + 2 PCLK</td> </tr> <tr> <td></td> <td></td> <td>0 1 0: 3 RSPCK + 2 PCLK</td> </tr> <tr> <td></td> <td></td> <td>0 1 1: 4 RSPCK + 2 PCLK</td> </tr> <tr> <td></td> <td></td> <td>1 0 0: 5 RSPCK + 2 PCLK</td> </tr> <tr> <td></td> <td></td> <td>1 0 1: 6 RSPCK + 2 PCLK</td> </tr> <tr> <td></td> <td></td> <td>1 1 0: 7 RSPCK + 2 PCLK</td> </tr> <tr> <td></td> <td></td> <td>1 1 1: 8 RSPCK + 2 PCLK</td> </tr> </table>	b2	b0	0 0 0: 1 RSPCK + 2 PCLK			0 0 1: 2 RSPCK + 2 PCLK			0 1 0: 3 RSPCK + 2 PCLK			0 1 1: 4 RSPCK + 2 PCLK			1 0 0: 5 RSPCK + 2 PCLK			1 0 1: 6 RSPCK + 2 PCLK			1 1 0: 7 RSPCK + 2 PCLK			1 1 1: 8 RSPCK + 2 PCLK	R/W
b2	b0	0 0 0: 1 RSPCK + 2 PCLK																										
		0 0 1: 2 RSPCK + 2 PCLK																										
		0 1 0: 3 RSPCK + 2 PCLK																										
		0 1 1: 4 RSPCK + 2 PCLK																										
		1 0 0: 5 RSPCK + 2 PCLK																										
		1 0 1: 6 RSPCK + 2 PCLK																										
		1 1 0: 7 RSPCK + 2 PCLK																										
		1 1 1: 8 RSPCK + 2 PCLK																										
b7 to b3	—	Reserved	These bits are read as 0. The write value should be 0.	R/W																								

SPND sets a non-active period (next-access delay) of the SSLAi signal after termination of a serial transfer when the SPCMDm.SPNDEN bit is 1. If the contents of SPND are changed while both the SPCR.MSTR and SPCR.SPE bits are 1, subsequent operations cannot be guaranteed.

SPNDL[2:0] Bits (RSPI Next-Access Delay Setting)

The SPNDL[2:0] bits set a next-access delay when the SPCMDm.SPNDEN bit is 1.

When using the RSPI in slave mode, set the SPNDL[2:0] bits to 000b.

31.2.13 RSPI Control Register 2 (SPCR2)

Address(es): 0008 838Fh

b7	b6	b5	b4	b3	b2	b1	b0
—	—	—	—	PTE	SPIIE	SPOE	SPPE
0	0	0	0	0	0	0	0

Value after reset:

Bit	Symbol	Bit Name	Description	R/W
b0	SPPE	Parity Enable	0: Does not add the parity bit to transmit data and does not check the parity bit of receive data 1: Adds the parity bit to transmit data and checks the parity bit of receive data (when SPCR.TXMD = 0) Adds the parity bit to transmit data but does not check the parity bit of receive data (when SPCR.TXMD = 1)	R/W
b1	SPOE	Parity Mode	0: Selects even parity for use in transmission and reception 1: Selects odd parity for use in transmission and reception	R/W
b2	SPIIE	RSPI Idle Interrupt Enable	0: Disables the generation of idle interrupt requests 1: Enables the generation of idle interrupt requests	R/W
b3	PTE	Parity Self-Testing	0: Disables the self-diagnosis function of the parity circuit 1: Enables the self-diagnosis function of the parity circuit	R/W
b7 to b4	—	Reserved	These bits are read as 0. The write value should be 0.	R/W

If the SPPE bit or SPOE bit in SPCR2 is changed while the SPCR.SPE bit is 1, subsequent operations cannot be guaranteed.

SPPE Bit (Parity Enable)

The SPPE bit enables or disables the parity function.

The parity bit is added to transmit data and parity checking is performed for receive data when the SPCR.TXMD bit is 0 and the SPCR2.SPPE bit is 1.

The parity bit is added to transmit data but parity checking is not performed for receive data when the SPCR.TXMD bit is 1 and the SPCR2.SPPE bit is 1.

SPOE Bit (Parity Mode)

The SPOE bit specifies odd or even parity.

When even parity is set, parity bit addition is performed so that the total number of 1-bits in the transmit/receive character plus the parity bit is even. Similarly, when odd parity is set, parity bit addition is performed so that the total number of 1-bits in the transmit/receive character plus the parity bit is odd.

The SPOE bit is valid only when the SPPE bit is 1.

SPIIE Bit (RSPI Idle Interrupt Enable)

The SPIIE bit enables or disables the generation of RSPI idle interrupt requests when the RSPI being in the idle state is detected and the SPSR.IDLNF flag is cleared to 0.

PTE Bit (Parity Self-Testing)

The PTE bit enables the self-diagnosis function of the parity circuit in order to check whether the parity function is operating correctly.

31.2.14 RSPI Command Registers 0 to 7 (SPCMD0 to SPCMD7)

Address(es): RSPI0.SPCMD0 0008 8390h, RSPI0.SPCMD1 0008 8392h, RSPI0.SPCMD2 0008 8394h, RSPI0.SPCMD3 0008 8396h, RSPI0.SPCMD4 0008 8398h, RSPI0.SPCMD5 0008 839Ah, RSPI0.SPCMD6 0008 839Ch, RSPI0.SPCMD7 0008 839Eh

b15	b14	b13	b12	b11	b10	b9	b8	b7	b6	b5	b4	b3	b2	b1	b0
SCKDEN	SLNDEN	SPNDEN	LSBF		SPB[3:0]			SSLKP	SSLA[2:0]			BRDV[1:0]		CPOL	CPHA
0	0	0	0	0	1	1	1	0	0	0	0	1	1	0	1

Value after reset:

Bit	Symbol	Bit Name	Description	R/W
b0	CPHA	RSPCK Phase Setting	0: Data sampling on odd edge, data variation on even edge 1: Data variation on odd edge, data sampling on even edge	R/W
b1	CPOL	RSPCK Polarity Setting	0: RSPCK is low when idle 1: RSPCK is high when idle	R/W
b3, b2	BRDV[1:0]	Bit Rate Division Setting	b3 b2 0 0: These bits select the base bit rate 0 1: These bits select the base bit rate divided by 2 1 0: These bits select the base bit rate divided by 4 1 1: These bits select the base bit rate divided by 8	R/W
b6 to b4	SSLA[2:0]	SSL Signal Assertion Setting	b6 b4 0 0 0: SSL0 0 0 1: SSL1 0 1 0: SSL2 0 1 1: SSL3 1 x x: Setting prohibited x: Don't care	R/W
b7	SSLKP	SSL Signal Level Keeping	0: Negates all SSL signals upon completion of transfer 1: Keeps the SSL signal level from the end of transfer until the beginning of the next access	R/W
b11 to b8	SPB[3:0]	RSPI Data Length Setting	b11 b8 0100 to 0111: 8 bits 1 0 0 0: 9 bits 1 0 0 1: 10 bits 1 0 1 0: 11 bits 1 0 1 1: 12 bits 1 1 0 0: 13 bits 1 1 0 1: 14 bits 1 1 1 0: 15 bits 1 1 1 1: 16 bits 0 0 0 0: 20 bits 0 0 0 1: 24 bits 0010, 0011: 32 bits	R/W
b12	LSBF	RSPI LSB First	0: MSB first 1: LSB first	R/W
b13	SPNDEN	RSPI Next-Access Delay Enable	0: A next-access delay of 1 RSPCK + 2 PCLK 1: A next-access delay is equal to the setting of the RSPI next-access delay register (SPND)	R/W
b14	SLNDEN	SSL Negation Delay Setting Enable	0: An SSL negation delay of 1 RSPCK 1: An SSL negation delay is equal to the setting of the RSPI slave select negation delay register (SSLND)	R/W
b15	SCKDEN	RSPCK Delay Setting Enable	0: An RSPCK delay of 1 RSPCK 1: An RSPCK delay is equal to the setting of the RSPI clock delay register (SPCKD)	R/W

SPCMDm register is used to set a transfer format for the RSPI in master mode. Each channel has eight RSPI command registers (SPCMD0 to SPCMD7). Some of the bits in SPCMD0 register is used to set a transfer mode for the RSPI in slave mode. The RSPI in master mode sequentially references SPCMDm register according to the settings in the SPSCR.SPSSLN[2:0] bits, and executes the serial transfer that is set in the referenced SPCMDm register.

SPCMDm register should be set while the transmit buffer is empty (data for the next transfer is not set) and before setting of the data that is to be transmitted when that SPCMDm register is referenced.

SPCMDm that is referenced by the RSPI in master mode can be checked by means of the SPSSR.SPCP[2:0] bits. If the contents of SPCMDm are changed while the SPCR.MSTR bit is 0 and the SPCR.SPE bit is 1, subsequent operations cannot be guaranteed.

CPHA Bit (RSPCK Phase Setting)

The CPHA bit sets an RSPCK phase of the RSPI in master mode or slave mode. Data communications between RSPI modules require the same RSPCK phase setting between the modules.

CPOL Bit (RSPCK Polarity Setting)

The CPOL bit sets an RSPCK polarity of the RSPI in master mode or slave mode. Data communications between RSPI modules require the same RSPCK polarity setting between the modules.

BRDV[1:0] Bits (Bit Rate Division Setting)

The BRDV[1:0] bits are used to determine the bit rate. A bit rate is determined by combinations of the settings in the BRDV[1:0] bits and SPBR (see section 31.2.8, RSPI Bit Rate Register (SPBR)). The settings in SPBR determine the base bit rate. The settings in the BRDV[1:0] bits are used to select a bit rate which is obtained by dividing the base bit rate by 1, 2, 4, or 8. In SPCMDm register, different BRDV[1:0] bit settings can be specified. This permits the execution of serial transfers at a different bit rate for each command.

SSLA[2:0] Bits (SSL Signal Assertion Setting)

The SSLA[2:0] bits control the SSLAi signal assertion when the RSPI performs serial transfers in master mode.

Setting the SSLA[2:0] bits controls the assertion for the SSLAi signal. When an SSLAi signal is asserted, its polarity is determined by the set value in the corresponding SSLP. When the SSLA[2:0] bits are set to 000b in multi-master mode, serial transfers are performed with all the SSL signals in the negated state (as the SSLA0 pin acts as input).

When using the RSPI in slave mode, set the SSLA[2:0] bits to 000b.

SSLKP Bit (SSL Signal Level Keeping)

When the RSPI in master mode performs a serial transfer, the SSLKP bit specifies whether the SSLAi signal level for the current command is to be kept or negated between the SSL negation timing associated with the current command and the SSL assertion timing associated with the next command.

When using the RSPI in slave mode, the SSLKP bit should be set to 0.

SPB[3:0] Bits (RSPI Data Length Setting)

The SPB[3:0] bits set a transfer data length for the RSPI in master mode or slave mode.

LSBF Bit (RSPI LSB First)

The LSBF bit sets the data format of the RSPI in master mode or slave mode to MSB first or LSB first.

SPNDEN Bit (RSPI Next-Access Delay Enable)

The SPNDEN bit sets the period from the time the RSPI in master mode terminates a serial transfer and sets the SSLAi signal inactive until the RSPI enables the SSLAi signal assertion for the next access (next-access delay). If the SPNDEN bit is 0, the RSPI sets the next-access delay to 1 RSPCK + 2 PCLK. If the SPNDEN bit is 1, the RSPI inserts a next-access delay in compliance with the SPND setting.

When using the RSPI in slave mode, the SPNDEN bit should be set to 0.

SLNDEN Bit (SSL Negation Delay Setting Enable)

The SLNDEN bit sets the period from the time the RSPI in master mode stops RSPCK oscillation until the RSPI sets the SSLAi signal inactive (SSL negation delay). If the SLNDEN bit is 0, the RSPI sets the SSL negation delay to 1 RSPCK. If the SLNDEN bit is 1, the RSPI negates the SSL signal at an SSL negation delay in compliance with the SSLND setting.

When using the RSPI in slave mode, the SLNDEN bit should be set to 0.

SCKDEN Bit (RSPCK Delay Setting Enable)

The SCKDEN bit sets the period from the point when the RSPI in master mode activates the SSLAi signal until the RSPCK starts oscillation (RSPI clock delay). If the SCKDEN bit is 0, the RSPI sets the RSPCK delay to 1 RSPCK. If the SCKDEN bit is 1, the RSPI starts the oscillation of RSPCK at an RSPCK delay in compliance with the SPCKD setting.

When using the RSPI in slave mode, the SCKDEN bit should be set to 0.

31.3 Operation

In this section, the serial transfer period means a period from the beginning of driving valid data to the fetching of the final valid data.

31.3.1 Overview of RSPI Operations

The RSPI is capable of synchronous serial transfers in slave mode (SPI operation), single-master mode (SPI operation), multi-master mode (SPI operation), slave mode (clock synchronous operation), and master mode (clock synchronous operation). A particular mode of the RSPI can be selected by using the MSTR, MODFEN, and SPMS bits in SPCR.

Table 31.5 lists the relationship between RSPI modes and SPCR settings, and a description of each mode.

Table 31.5 Relationship between RSPI Modes and SPCR Settings and Description of Each Mode

Mode	Slave (SPI Operation)	Single-Master (SPI Operation)	Multi-Master (SPI Operation)	Slave (Clock Synchronous Operation)	Master (Clock Synchronous Operation)
MSTR bit setting	0	1	1	0	1
MODFEN bit setting	0 or 1	0	1	0	0
SPMS bit setting	0	0	0	1	1
RSPCKA signal	Input	Output	Output/Hi-Z	Input	Output
MOSIA signal	Input	Output	Output/Hi-Z	Input	Output
MISOA signal	Output/Hi-Z	Input	Input	Output	Input
SSLA0 signal	Input	Output	Input	Hi-Z*1	Hi-Z*1
SSLA1 to SSLA3 signals	Hi-Z*1	Output	Output/Hi-Z	Hi-Z*1	Hi-Z*1
SSL polarity modification function	Supported	Supported	Supported	—	—
Transfer rate	Up to PCLK/8	Up to PCLK/2	Up to PCLK/2	Up to PCLK/8	Up to PCLK/2
Clock source	RSPCK input	On-chip baud rate generator	On-chip baud rate generator	RSPCK input	On-chip baud rate generator
Clock polarity	Two	Two	Two	Two	Two
Clock phase	Two	Two	Two	One (CPHA = 1)	Two
First transfer bit	MSB/LSB	MSB/LSB	MSB/LSB	MSB/LSB	MSB/LSB
Transfer data length	8 to 32 bits	8 to 32 bits	8 to 32 bits	8 to 32 bits	8 to 32 bits
Burst transfer	Possible (CPHA = 1)	Possible (CPHA = 0,1)	Possible (CPHA = 0,1)	—	—
RSPCK delay control	Not supported	Supported	Supported	Not supported	Supported
SSL negation delay control	Not supported	Supported	Supported	Not supported	Supported
Next-access delay control	Not supported	Supported	Supported	Not supported	Supported
Transfer activation method	SSL input active or RSPCK oscillation	Transmit buffer is written to at generation of a transmit buffer empty interrupt request	Transmit buffer is written to at generation of a transmit buffer empty interrupt request	RSPCK oscillation	Transmit buffer is written to at generation of a transmit buffer empty interrupt request
Sequence control	Not supported	Supported	Supported	Not supported	Supported
Transmit buffer empty detection	Supported	Supported	Supported	Supported	Supported
Receive buffer full detection	Supported*2	Supported*2	Supported*2	Supported*2	Supported*2
Overrun error detection	Supported*2	Supported*2	Supported*2	Supported*2	Supported*2
Parity error detection	Supported*2,*3	Supported*2,*3	Supported*2,*3	Supported*2,*3	Supported*2,*3
Mode fault error detection	Supported (MODFEN = 1)	Not supported	Supported	Not supported	Not supported

Note 1. This function is not supported in this mode.

Note 2. When the SPCR.TXMD bit is 1, receiver buffer full detection, overrun error detection, and parity error detection are not performed.

Note 3. When the SPCR2.SPPE bit is 0, parity error detection is not performed.

31.3.2 Controlling RSPI Pins

According to the MSTR, MODFEN, and SPMS bits in SPCR and the ODRn.Bi bit for I/O ports, the RSPI can switch pin states. Table 31.6 lists the relationship between pin states and bit settings. The I/O port settings should follow this relationship.

Table 31.6 Relationship between Pin States and Bit Settings

Mode	Pin	Pin State*2	
		ODRn.Bi for I/O ports = 0	ODRn.Bi for I/O ports = 1
Single-master mode (SPI operation) (MSTR = 1, MODFEN = 0, SPMS = 0)	RSPCKA	CMOS output	Open-drain output
	SSLA0 to SSLA3	CMOS output	Open-drain output
	MOSIA	CMOS output	Open-drain output
	MISOA	Input	Input
Multi-master mode (SPI operation) (MSTR = 1, MODFEN = 1, SPMS = 0)	RSPCKA*3	CMOS output/Hi-Z	Open-drain output/Hi-Z
	SSLA0	Input	Input
	SSLA1 to SSLA3*3	CMOS output/Hi-Z	Open-drain output/Hi-Z
	MOSIA*3	CMOS output/Hi-Z	Open-drain output/Hi-Z
	MISOA	Input	Input
Slave mode (SPI operation) (MSTR = 0, SPMS = 0)	RSPCKA	Input	Input
	SSLA0	Input	Input
	SSLA1 to SSLA3*5	Hi-Z*1	Hi-Z*1
	MOSIA	Input	Input
	MISOA*4	CMOS output/Hi-Z	Open-drain output/Hi-Z
Master mode (Clock synchronous operation) (MSTR = 1, MODFEN = 0, SPMS = 1)	RSPCKA	CMOS output	Open-drain output
	SSLA0 to SSLA3*5	Hi-Z*1	Hi-Z*1
	MOSIA	CMOS output	Open-drain output
	MISOA	Input	Input
Slave mode (Clock synchronous operation) (MSTR = 0, SPMS = 1)	RSPCKA	Input	Input
	SSLA0 to SSLA3*5	Hi-Z*1	Hi-Z*1
	MOSIA	Input	Input
	MISOA	CMOS output	Open-drain output

Note 1. This function is not supported in this mode.

Note 2. RSPI settings are not reflected in the multiplex pins for which the RSPI function is not selected.

Note 3. When SSLA0 is at the active level, the pin state is Hi-Z.

Note 4. When SSLA0 is at the non-active level or the SPCR.SPE bit is cleared (= 0), the pin state is Hi-Z.

Note 5. These pins are available for use as I/O port pins.

The RSPI in single-master mode (SPI operation) or multi-master mode (SPI operation) determines MOSI signal values during the SSL negation period (including the SSL retention period during a burst transfer) according to MOIFE and MOIFV bit settings in SPPCR, as listed in Table 31.7.

Table 31.7 MOSI Signal Value Determination during SSL Negation Period

MOIFE Bit	MOIFV Bit	MOSIA Signal Value during SSL Negation Period
0	0, 1	Final data from previous transfer
1	0	Always low
1	1	Always High

31.3.3 RSPi System Configuration Examples

31.3.3.1 Single Master/Single Slave (with This LSI Acting as Master)

Figure 31.5 shows a single-master/single-slave RSPi system configuration example when this LSI is used as a master. In the single-master/single-slave configuration, the SSLA0 to SSLA3 output of this LSI (master) are not used. The SSL input of the RSPi slave is fixed to the low level, and the RSPi slave is always maintained in a select state.*1

This LSI (master) always drives the RSPCKA and MOSIA. The RSPi slave always drives the MISO.

Note 1. In the transfer format corresponding to the case where the SPCMDm.CPHA bit is 0, there are slave devices for which the SSL signal cannot be fixed to the active level. In situations where the SSL signal cannot be fixed, the SSLAi output of this LSI should be connected to the SSL input of the slave device.

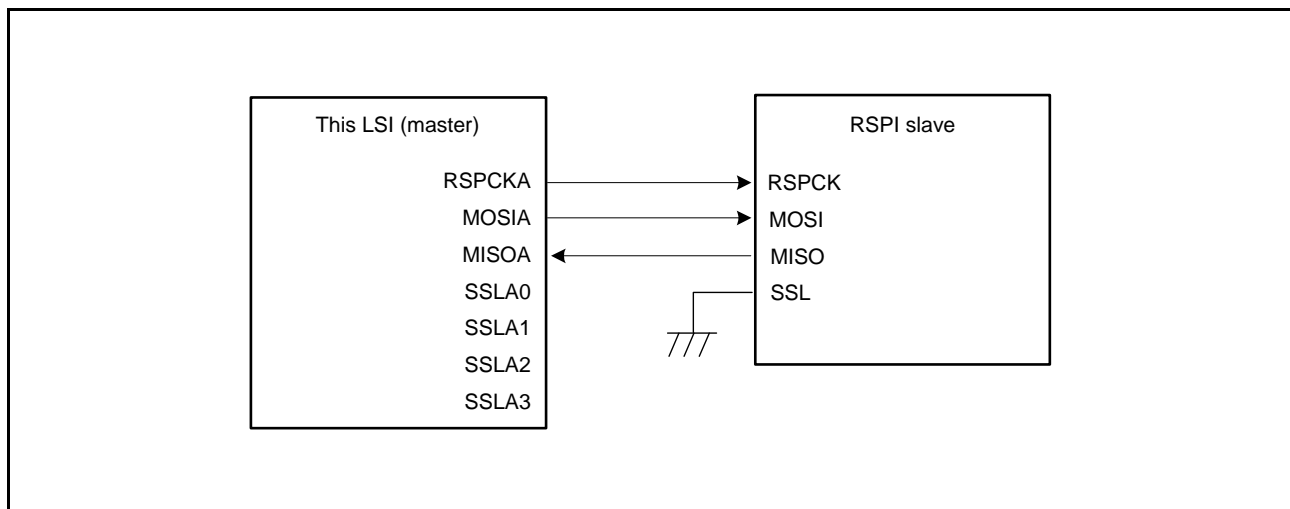


Figure 31.5 Single-Master/Single-Slave Configuration Example (This LSI = Master)

31.3.3.2 Single Master/Single Slave (with This LSI Acting as Slave)

Figure 31.6 shows a single-master/single-slave RSPi system configuration example when this LSI is used as a slave. When this LSI is to operate as a slave, the SSLA0 pin is used as SSL input. The RSPi master always drives the RSPCK and MOSI. This LSI (slave) always drives the MISOA.*1

In the single-slave configuration in which the SPCMDm.CPHA bit is set to 1, the SSLA0 input of this LSI (slave) is fixed to the low level, this LSI (slave) is always maintained in a select state, and in this manner it is possible to execute serial transfer (Figure 31.7).

Note 1. When SSLA0 is at the non-active level, the pin state is Hi-Z.

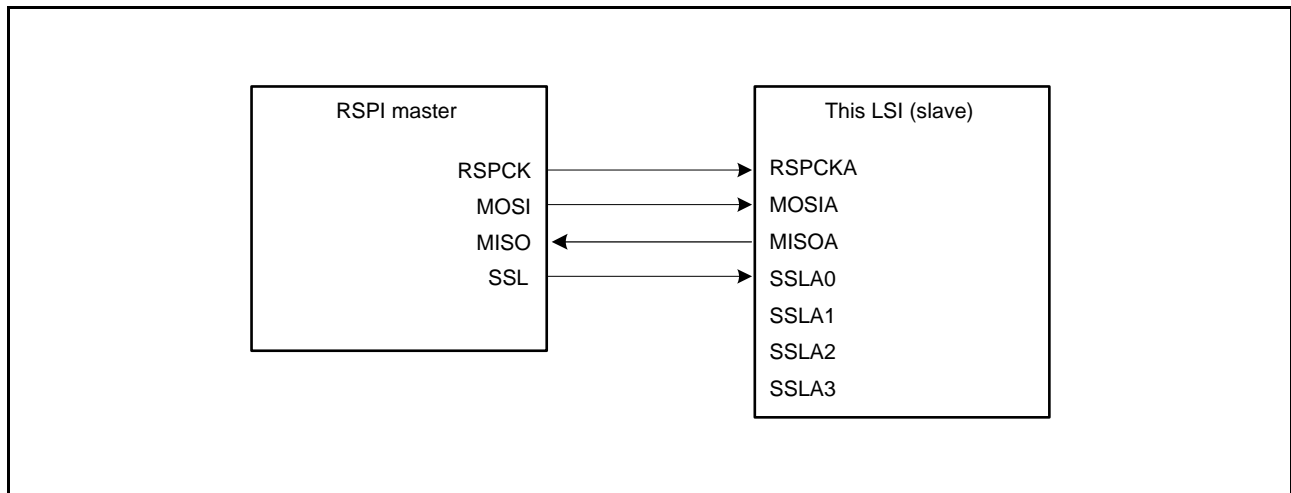


Figure 31.6 Single-Master/Single-Slave Configuration Example (This LSI = Slave, CPHA = 0)

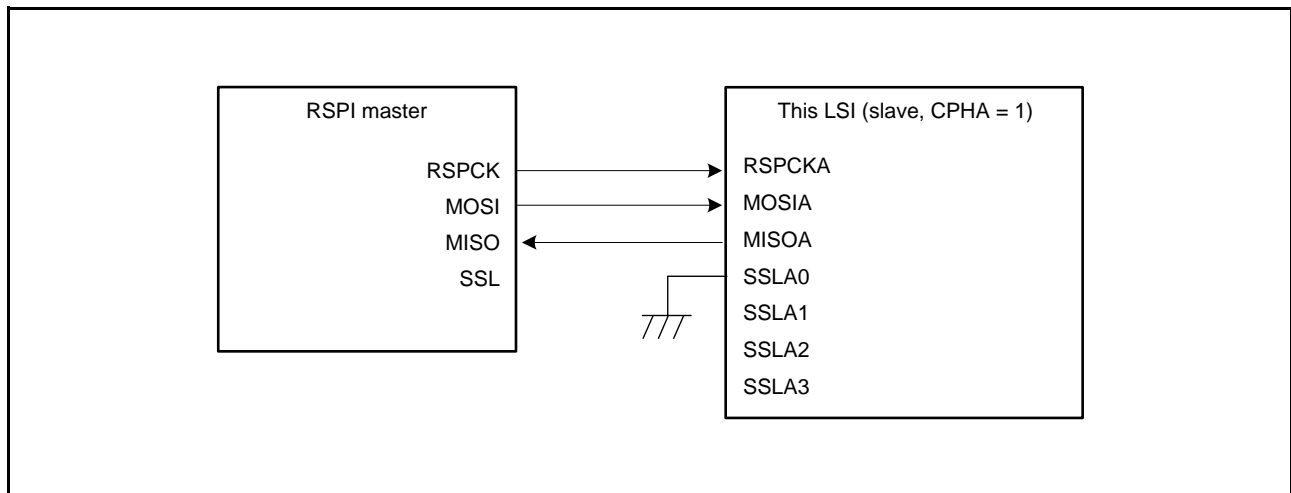


Figure 31.7 Single-Master/Single-Slave Configuration Example (This LSI = Slave, CPHA = 1)

31.3.3.3 Single Master/Multi-Slave (with This LSI Acting as Master)

Figure 31.8 shows a single-master/multi-slave RSPI system configuration example when this LSI is used as a master. In the example of Figure 31.8, the RSPI system is comprised of this LSI (master) and four slaves (RSPI slave 0 to RSPI slave 3).

The RSPCKA and MOSIA outputs of this LSI (master) are connected to the RSPCK and MOSI inputs of RSPI slave 0 to RSPI slave 3. The MISO outputs of RSPI slave 0 to RSPI slave 3 are all connected to the MISOA input of this LSI (master). SSLA0 to SSLA3 outputs of this LSI (master) are connected to the SSL inputs of RSPI slave 0 to RSPI slave 3, respectively.

This LSI (master) always drives RSPCK, MOSI, and SSLA0 to SSLA3. Of the RSPI slave 0 to RSPI slave 3, the slave that receives low-level input into the SSL input drives MISO.

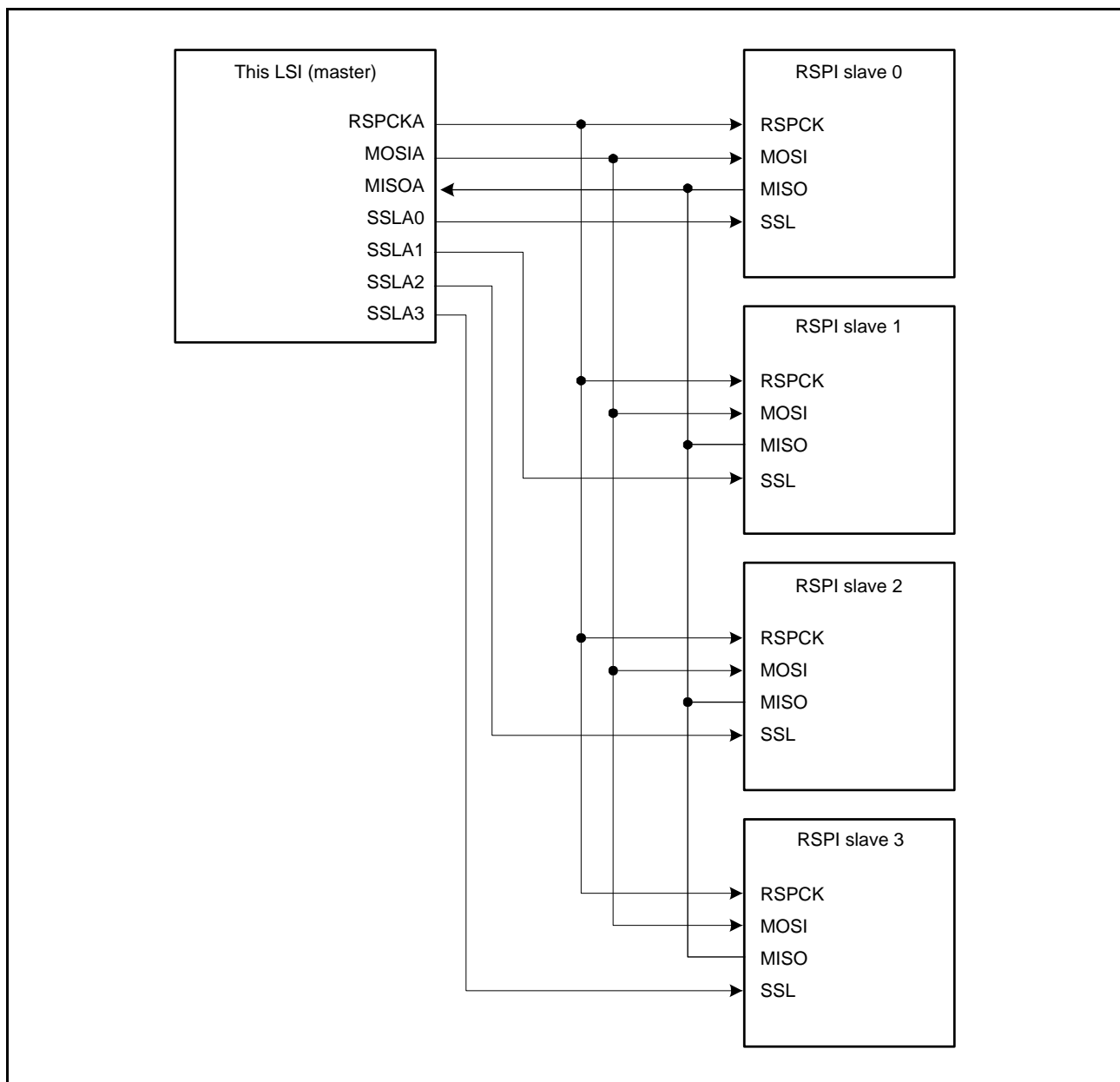


Figure 31.8 Single-Master/Multi-Slave Configuration Example (This LSI = Master)

31.3.3.4 Single Master/Multi-Slave (with This LSI Acting as Slave)

Figure 31.9 shows a single-master/multi-slave RSPI system configuration example when this LSI is used as a slave. In the example of Figure 31.9, the RSPI system is comprised of an RSPI master and two LSIs (slave X and slave Y).

The RSPCK and MOSI outputs of the RSPI master are connected to the RSPCKA and MOSIA inputs of the LSIs (slave X and slave Y). The MISOA outputs of the LSIs (slave X and slave Y) are all connected to the MISO input of the RSPI master. SSLX and SSLY outputs of the RSPI master are connected to the SSLA0 inputs of the LSIs (slave X and slave Y), respectively.

The RSPI master always drives RSPCK, MOSI, SSLX, and SSLY. Of the LSIs (slave X and slave Y), the slave that receives low-level input into the SSLA0 input drives MISOA.

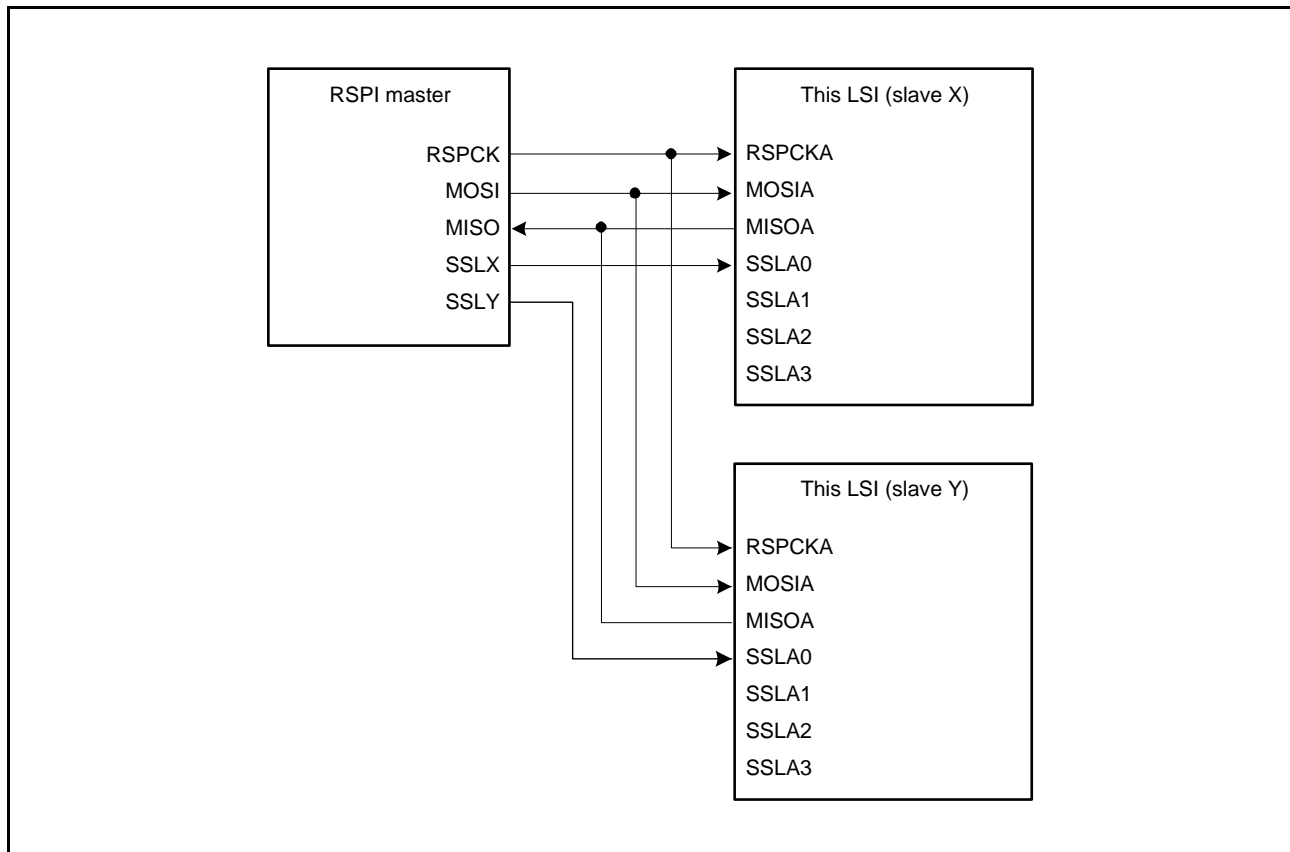


Figure 31.9 Single-Master/Multi-Slave Configuration Example (This LSI = Slave)

31.3.3.5 Multi-Master/Multi-Slave (with This LSI Acting as Master)

Figure 31.10 shows a multi-master/multi-slave RSPi system configuration example when this LSI is used as a master. In the example of Figure 31.10, the RSPi system is comprised of two LSIs (master X and master Y) and two RSPi slaves (RSPi slave 1 and RSPi slave 2).

The RSPCKA and MOSIA outputs of the LSIs (master X and master Y) are connected to the RSPCK and MOSI inputs of RSPi slaves 1 and 2. The MISO outputs of RSPi slaves 1 and 2 are connected to the MISOA inputs of the LSIs (master X and master Y). Any generic port Y output from this LSI (master X) is connected to the SSLA0 input of this LSI (master Y). Any generic port X output of this LSI (master Y) is connected to the SSLA0 input of this LSI (master X). The SSLA1 and SSLA2 outputs of the LSIs (master X and master Y) are connected to the SSL inputs of the RSPi slaves 1 and 2. In this configuration example, since the system can be comprised solely of SSLA0 input, and SSLA1 and SSLA2 outputs for slave connections, the SSLA3 output of this LSI is not required.

This LSI drives RSPCKA, MOSIA, SSLA1, and SSLA2 when the SSLA0 input level is high. When the SSLA0 input level is low, this LSI detects a mode fault error, sets RSPCKA, MOSIA, SSLA1, and SSLA2 to Hi-Z, and releases the RSPi bus right to the other master. Of the RSPi slaves 1 and 2, the slave that receives low-level input into the SSL input drives MISO.

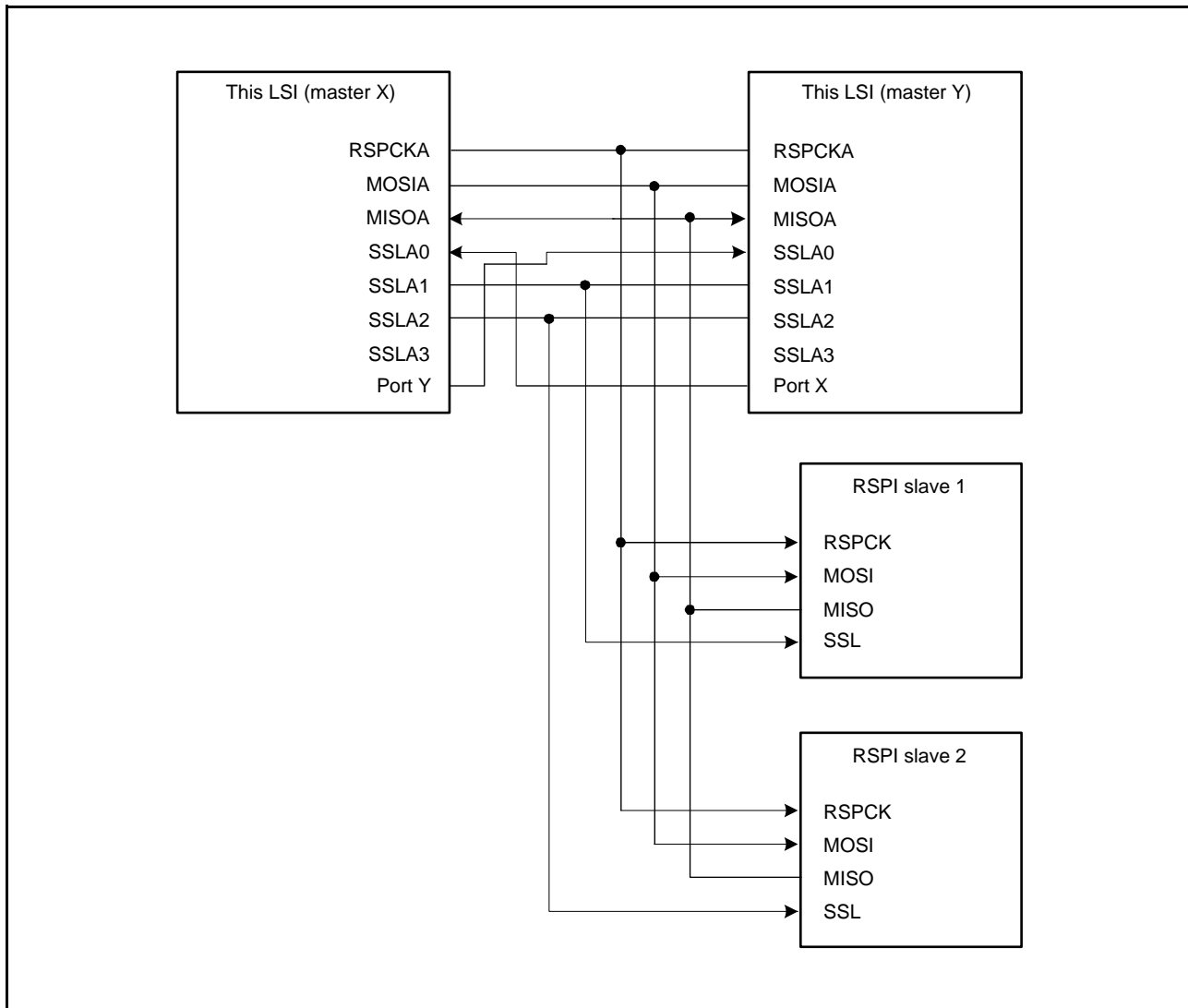


Figure 31.10 Multi-Master/Multi-Slave Configuration Example (This LSI = Master)

31.3.3.6 Master (Clock Synchronous Operation)/Slave (Clock Synchronous Operation) (with This LSI Acting as Master)

Figure 31.11 shows a master (clock synchronous operation)/slave (clock synchronous operation) RSPi system configuration example when this LSI is used as a master. In the master (clock synchronous operation)/slave (clock synchronous operation) configuration, SSLA0 to SSLA3 of this LSI (master) are not used.

This LSI (master) always drives the RSPCKA and MOSIA. The RSPi slave always drives the MISO.

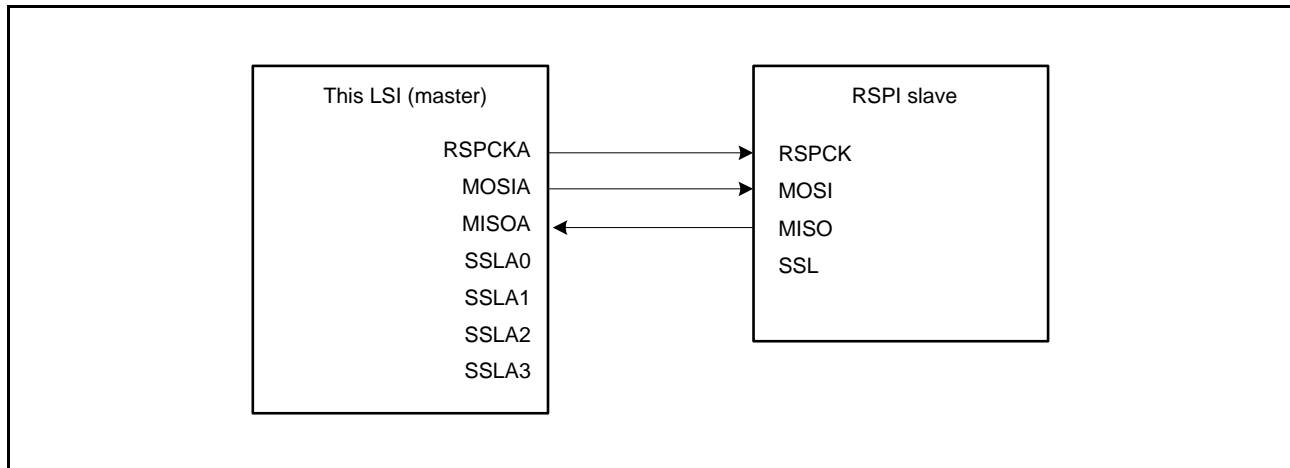


Figure 31.11 Master (Clock Synchronous Operation)/Slave (Clock Synchronous Operation) Configuration Example (This LSI = Master)

31.3.3.7 Master (Clock Synchronous Operation)/Slave (Clock Synchronous Operation) (with This LSI Acting as Slave)

Figure 31.12 shows a master (clock synchronous operation)/slave (clock synchronous operation) RSPi system configuration example when this LSI is used as a slave. When this LSI is to operate as a slave (clock synchronous operation), this LSI (slave) always drives the MISOA and the RSPi master always drives the RSPCK and MOSI. In addition, SSLA0 to SSLA3 of this LSI (slave) are not used.

Only in the single-slave configuration in which the SPCMDm.CPHA bit is set to 1, this LSI (slave) can execute serial transfer.

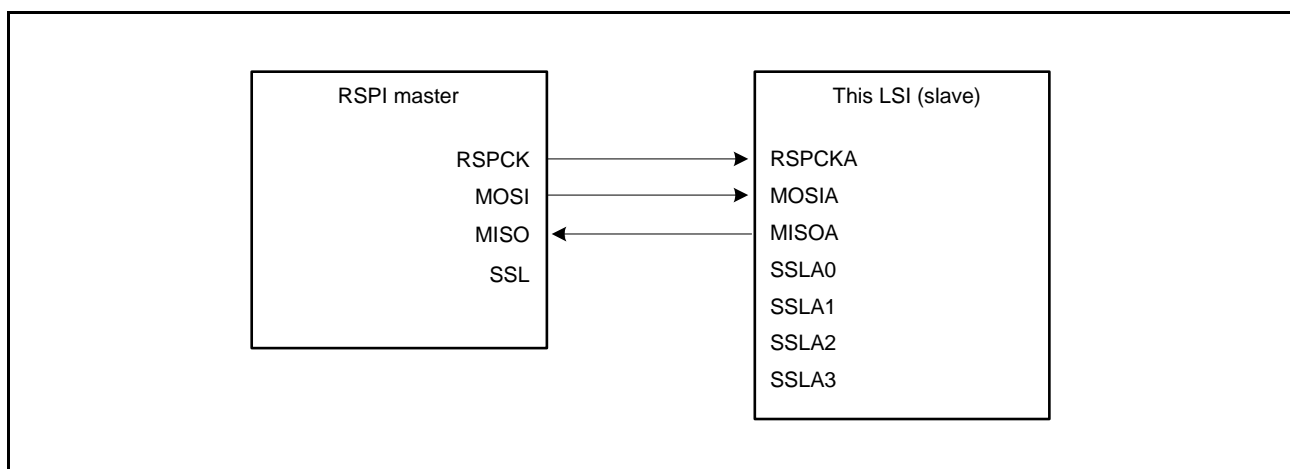


Figure 31.12 Master (Clock Synchronous Operation)/Slave (Clock Synchronous Operation) Configuration Example (This LSI = Slave, CPHA = 1)

31.3.4 Data Format

The RSPI's data format depends on the settings in the RSPI command register m (SPCMD m) ($m = 0$ to 7) and the parity enable bit of RSPI control register 2 (SPCR2.SPPE). Regardless of whether the MSB or LSB is first, the RSPI treats the range from the LSB bit of the RSPI data register (SPDR) to the selected data length as transfer data.

The format of one frame of data before or after transfer is shown below.

(a) With Parity Disabled

When parity is disabled, transmission or reception of data proceeds with the length in bits selected in the data length setting bits in the RSPI command register m (SPCMD m .SPB[3:0]).

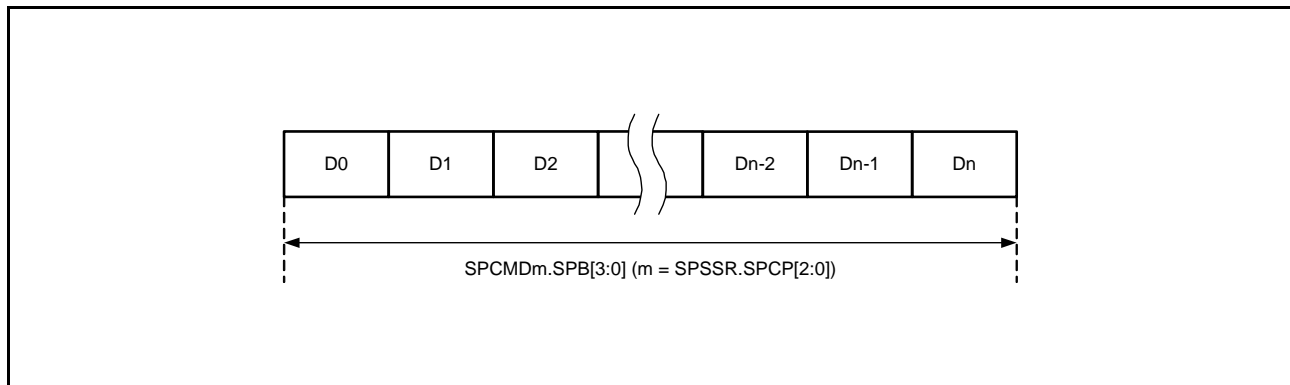


Figure 31.13 Outline of the Data Format (with Parity Disabled)

(b) With Parity Enabled

When parity is enabled, transmission or reception of data also proceeds with the length in bits selected in the SPCMD m .SPB[3:0] bits. In this case, however, the last bit is a parity bit.

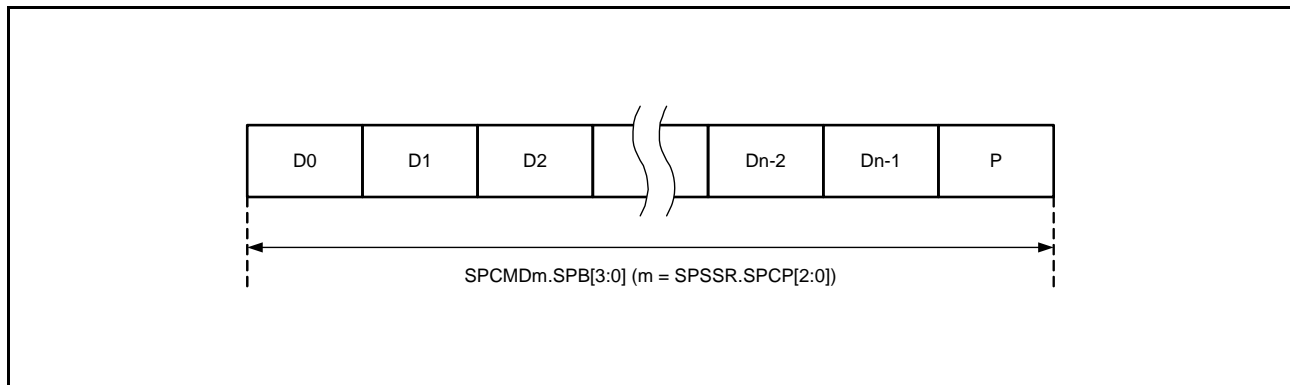


Figure 31.14 Outline of the Data Format (with Parity Enabled)

31.3.4.1 When Parity is Disabled (SPCR2.SPPE = 0)

When parity is disabled, data for transmission are copied to the shift register with no prior processing. A description of the connection between the RSPI data register (SPDR) and the shift register in terms of the combination of MSB- or LSB-first and data length is given below.

(1) MSB-First Transfer (32-Bit Data)

Figure 31.15 shows details of operations by the RSPI data register (SPDR) and the shift register in transfer with parity disabled, an RSPI data length of 32 bits, and MSB-first selected.

In transmission, bits T31 to T00 from the current stage of the transmit buffer are copied to the shift register. Data for transmission are shifted out from the shift register in order from T31, through T30, and so on to T00.

In reception, received data are shifted in bit by bit through bit 0 of the shift register. When bits R31 to R00 have been collected after input of the required number of cycles of RSPCK, the value in the shift register is copied to the receive buffer.

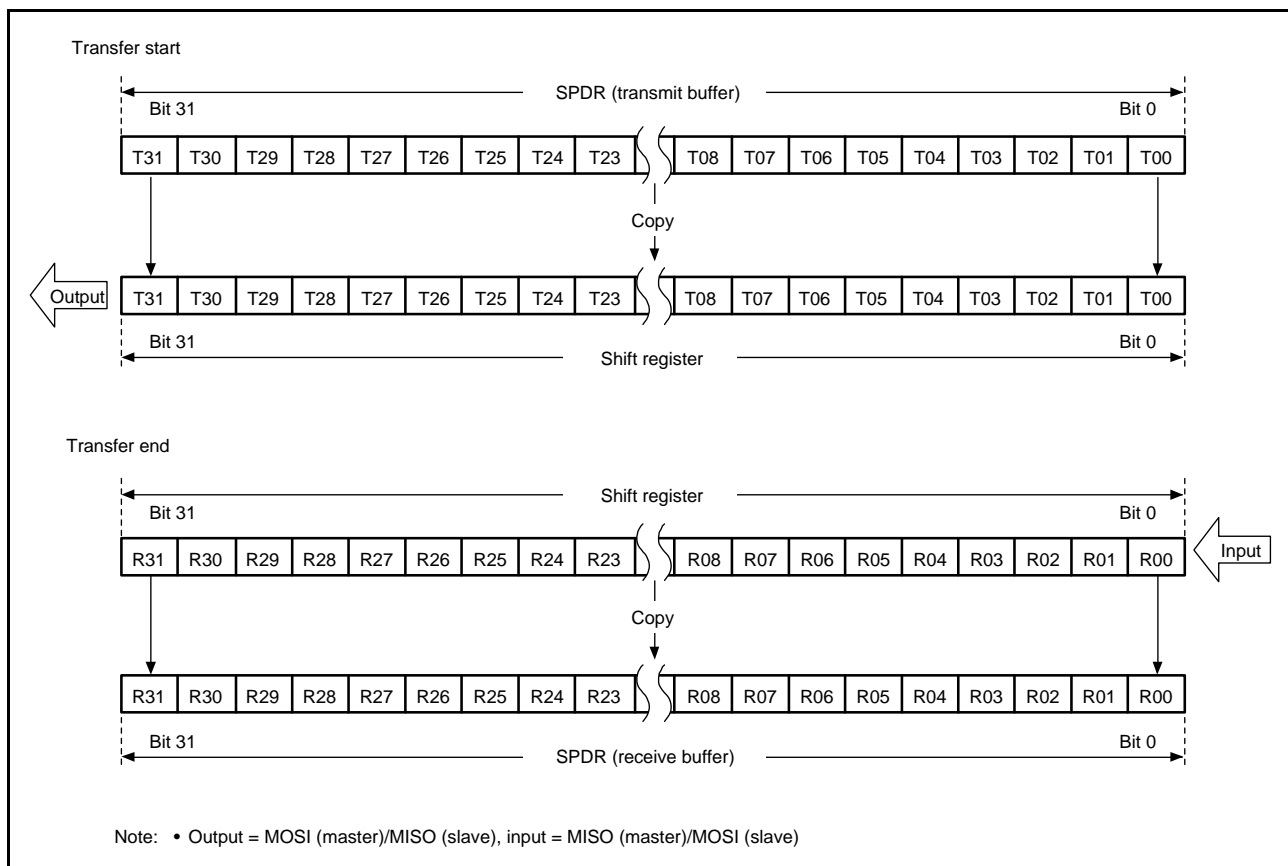


Figure 31.15 MSB-First Transfer (32-Bit Data, Parity Disabled)

(2) MSB-First Transfer (24-Bit Data)

Figure 31.16 shows details of operations by the RSPI data register (SPDR) and the shift register in transfer with parity disabled, 24 bits as the RSPI data length for an example that is not 32 bits, and MSB-first selected. In transmission, the lower-order 24 bits (T23 to T00) from the current stage of the transmit buffer are copied to the shift register. Data for transmission are shifted out from the shift register in order from T23, through T22, and so on to T00. In reception, received data are shifted in bit by bit through bit 0 of the shift register. When bits R23 to R00 have been collected after input of the required number of cycles of RSPCK, the value in the shift register is copied to the receive buffer. At this time, the higher-order eight bits of the transmit buffer are stored in the higher-order eight bits of the receive buffer. Writing 0 to bits T31 to T24 at the time of transmission leads to 0 being inserted in the higher-order eight bits of the receive buffer.



Figure 31.16 MSB-First Transfer (24-Bit Data, Parity Disabled)

(3) LSB-First Transfer (32-Bit Data)

Figure 31.17 shows details of operations by the RSPI data register (SPDR) and the shift register in transfer with parity disabled, an RSPI data length of 32 bits, and LSB-first selected.

In transmission, bits T31 to T00 from the current stage of the transmit buffer are reordered bit by bit to obtain the order T00 to T31 for copying to the shift register. Data for transmission are shifted out from the shift register in order from T00, through T01, and so on to T31.

In reception, received data are shifted in bit by bit through bit 0 of the shift register. When bits R00 to R31 have been collected after input of the required number of cycles of RSPCK, the value in the shift register is copied to the receive buffer.

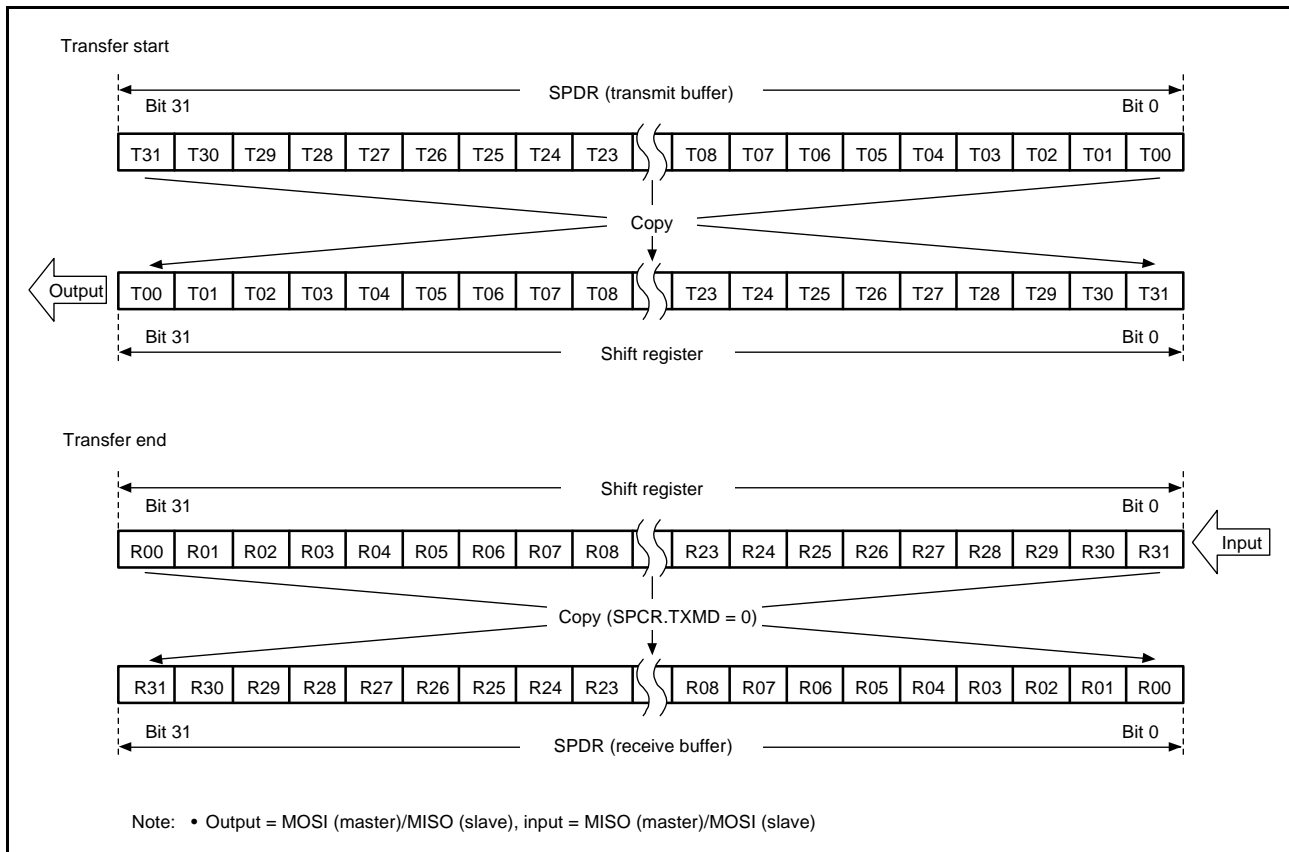


Figure 31.17 LSB-First Transfer (32-Bit Data, Parity Disabled)

(4) LSB-First Transfer (24-Bit Data)

Figure 31.18 shows details of operations by the RSPI data register (SPDR) and the shift register in transfer with parity disabled, 24 bits as the RSPI data length for an example that is not 32 bits, and LSB-first selected.

In transmission, the lower-order 24 bits (T23 to T00) from the current stage of the transmit buffer are reordered bit by bit to obtain the order T00 to T23 for copying to the shift register. Data for transmission are shifted out from the shift register in order from T00, through T01, and so on to T23.

In reception, received data are shifted in bit by bit through bit 8 of the shift register. When bits R00 to R23 have been collected after input of the required number of cycles of RSPCK, the value in the shift register is copied to the receive buffer.

At this time, the higher-order eight bits of the transmit buffer are stored in the higher-order eight bits of the receive buffer. Writing 0 to bits T31 to T24 at the time of transmission leads to 0 being inserted in the higher-order eight bits of the receive buffer.

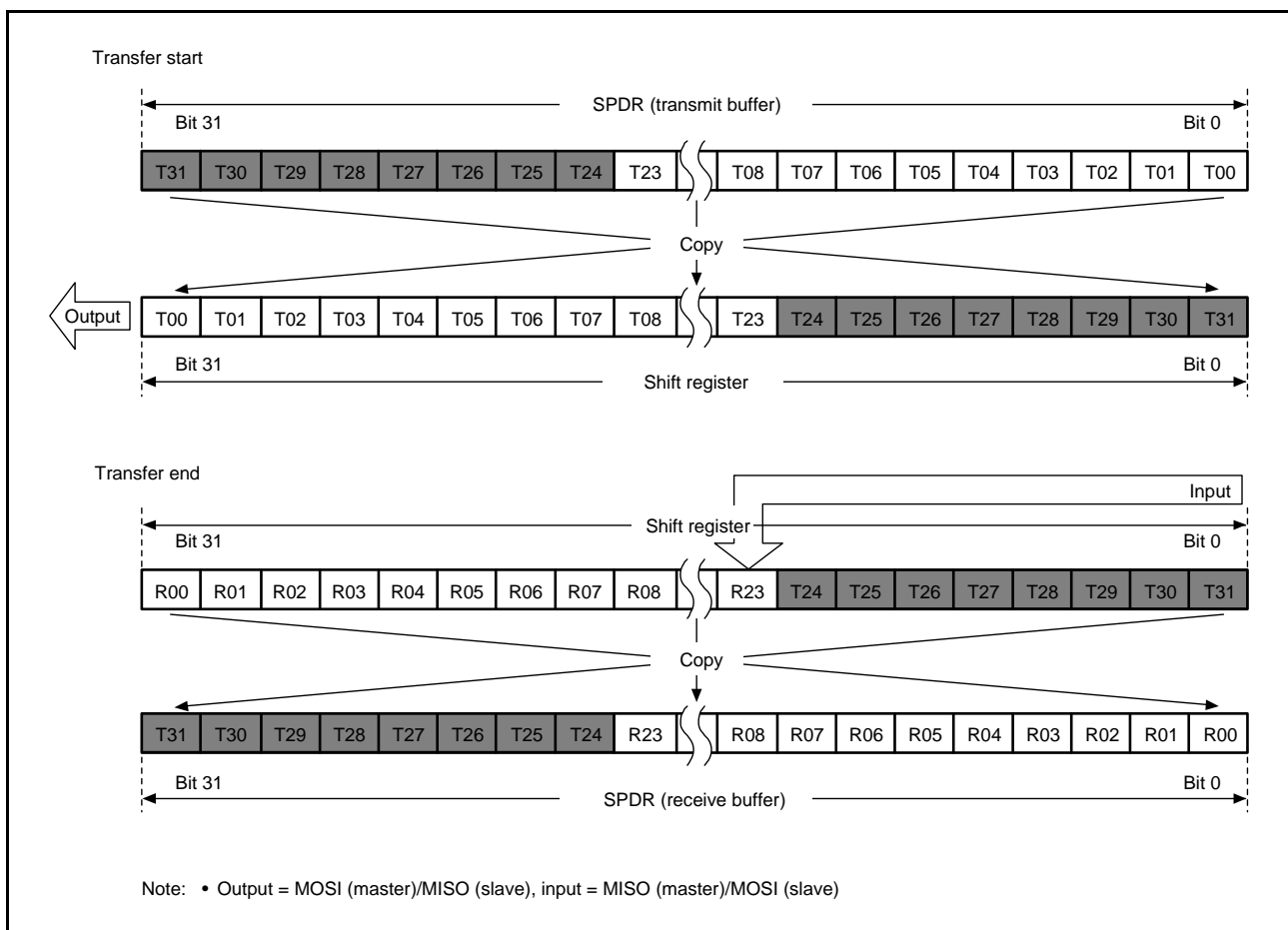


Figure 31.18 LSB-First Transfer (24-Bit Data, Parity Disabled)

31.3.4.2 When Parity is Enabled (SPCR2.SPPE = 1)

When parity is enabled, the lowest-order bit of the data for transmission becomes a parity bit. Hardware calculates the value of the parity bit.

(1) MSB-First Transfer (32-Bit Data)

Figure 31.19 shows details of operations by the RSPI data register (SPDR) and the shift register in transfer with parity enabled, an RSPI data length of 32 bits, and MSB-first selected.

In transmission, the value of the parity bit (P) is calculated from bits T31 to T01. This replaces the final bit, T00, and the whole is copied to the shift register. Data are transmitted in the order T31, T30, ..., T01, and P.

In reception, received data are shifted in bit by bit through bit 0 of the shift register. When bits R31 to P have been collected after input of the required number of cycles of RSPCK, the value in the shift register is copied to the receive buffer. On copying of data to the shift register, the data from R31 to P are checked by judging the parity.

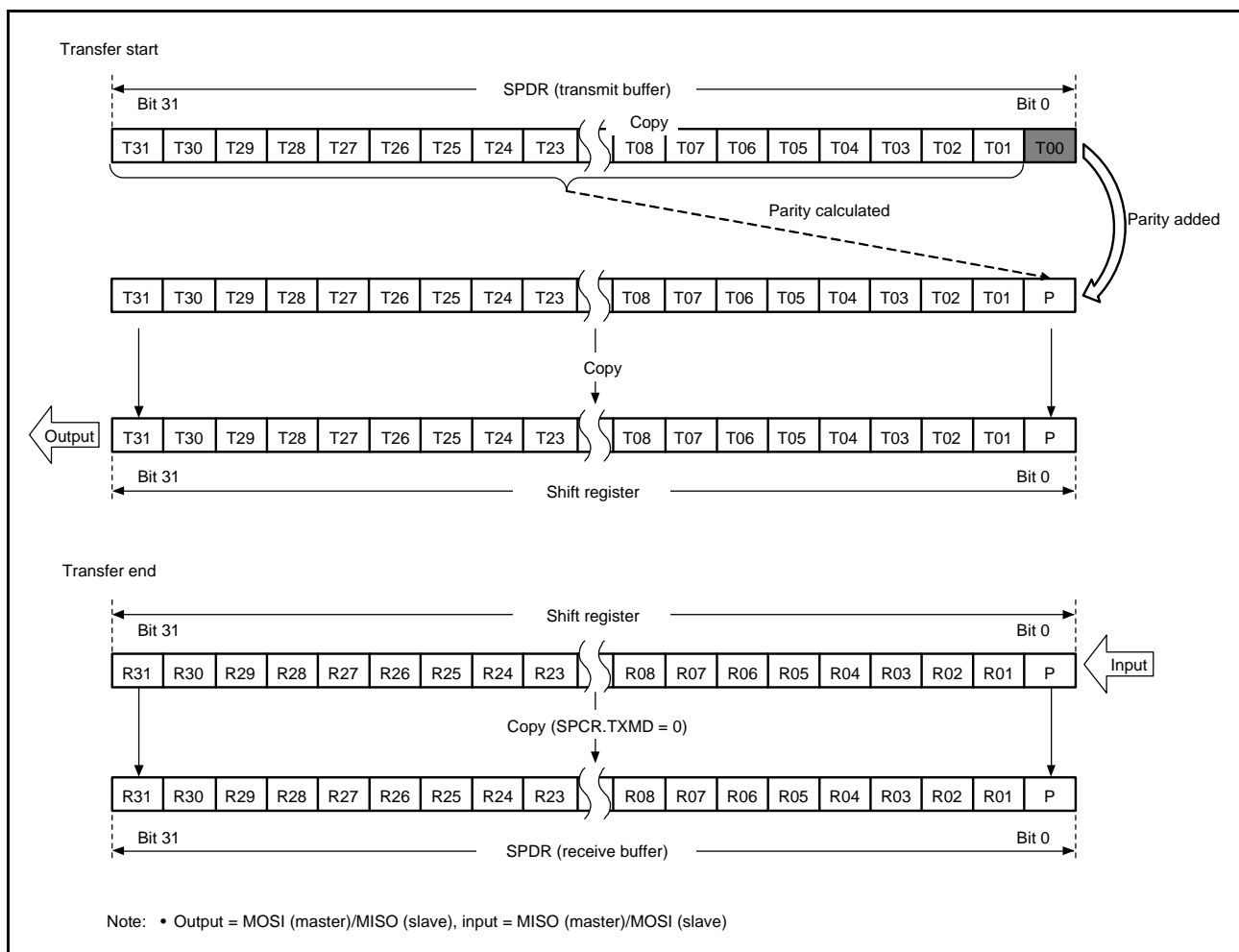


Figure 31.19 MSB-First Transfer (32-Bit Data, Parity Enabled)

(2) MSB-First Transfer (24-Bit Data)

Figure 31.20 shows details of operations by the RSPI data register (SPDR) and the shift register in transfer with parity enabled, 24 bits as the RSPI data length for an example that is not 32 bits, and MSB-first selected.

In transmission, the value of the parity bit (P) is calculated from bits T23 to T01. This replaces the final bit, T00, and the whole is copied to the shift register. Data are transmitted in the order T23, T22, ..., T01, and P.

In reception, received data are shifted in bit by bit through bit 0 of the shift register. When bits R23 to P have been collected after input of the required number of cycles of RSPCK, the value in the shift register is copied to the receive buffer. On copying of data to the shift register, the data from R23 to P are checked by judging the parity. At this time, the higher-order eight bits of the transmit buffer are stored in the higher-order eight bits of the receive buffer. Writing 0 to bits T31 to T24 at the time of transmission leads to 0 being inserted in the higher-order eight bits of the receive buffer.

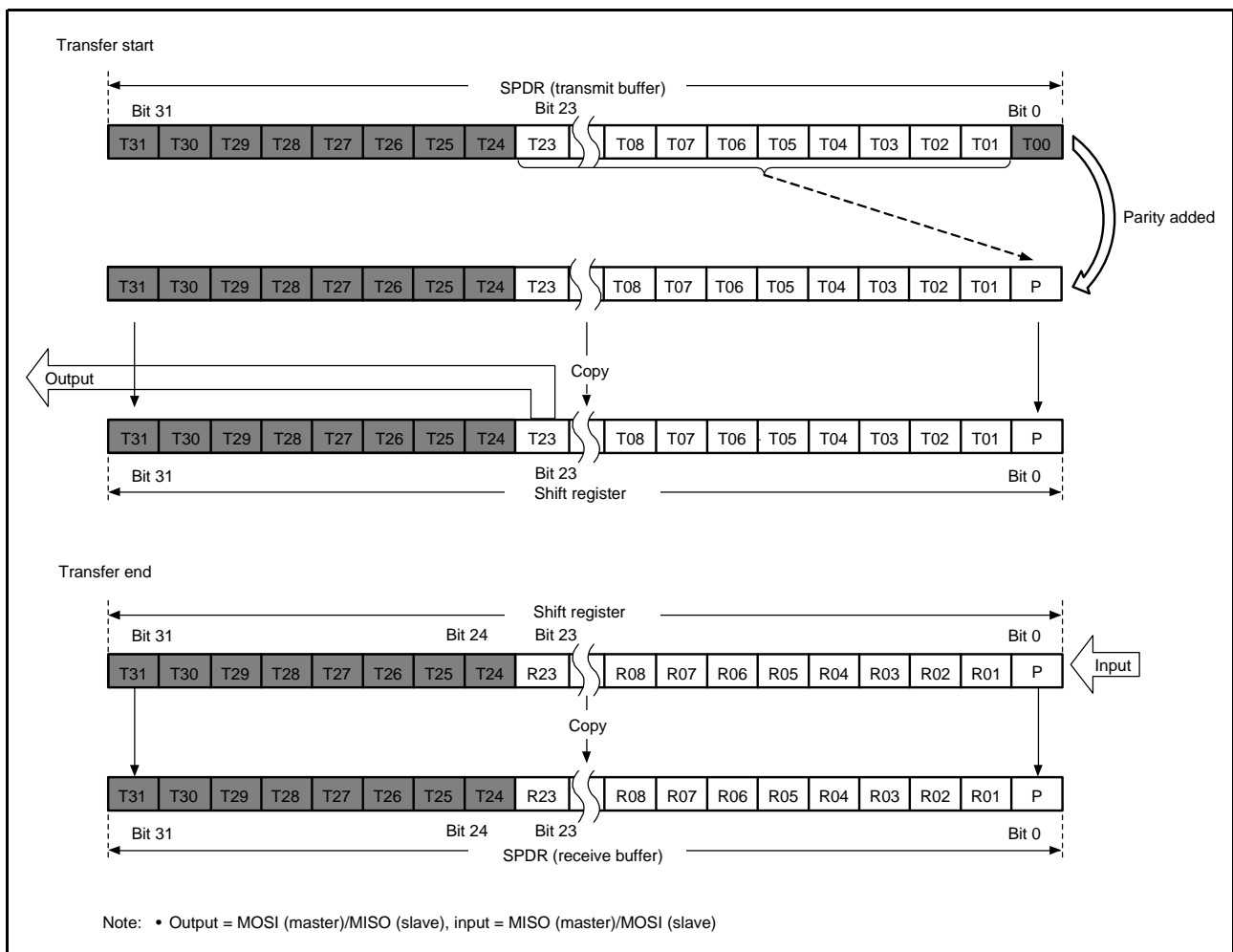


Figure 31.20 MSB-First Transfer (24-Bit Data, Parity Enabled)

(3) LSB-First Transfer (32-Bit Data)

Figure 31.21 shows details of operations by the RSPI data register (SPDR) and the shift register in transfer with parity enabled, an RSPI data length of 32 bits, and LSB-first selected.

In transmission, the value of the parity bit (P) is calculated from bits T30 to T00. This replaces the final bit, T31, and the whole is copied to the shift register. Data are transmitted in the order T00, T01, ..., T30, and P.

In reception, received data are shifted in bit by bit through bit 0 of the shift register. When bits R00 to P have been collected after input of the required number of cycles of RSPCK, the value in the shift register is copied to the receive buffer. On copying of data to the shift register, the data from R00 to P are checked by judging the parity.

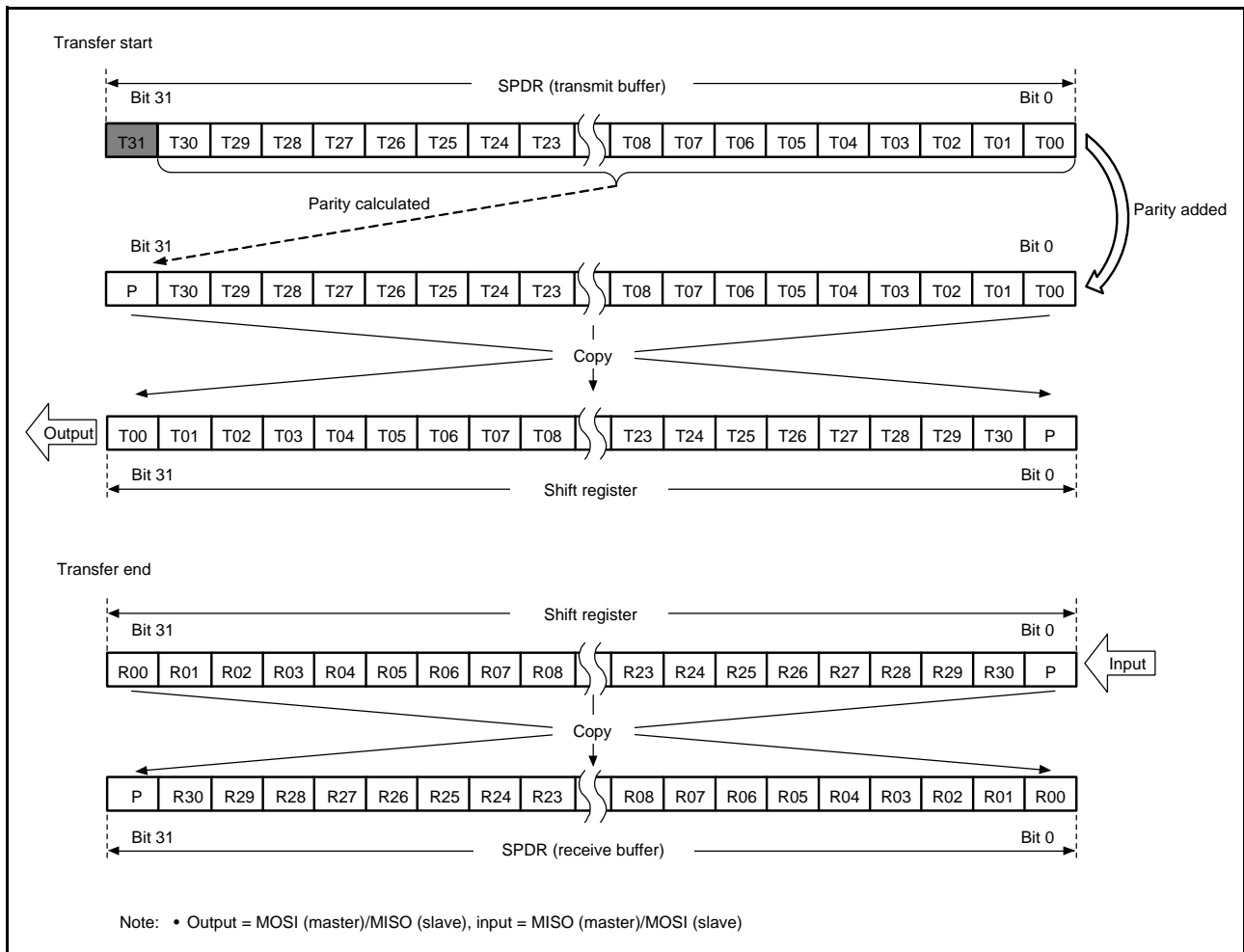


Figure 31.21 LSB-First Transfer (32-Bit Data, Parity Enabled)

(4) LSB First Transfer (24-Bit Data)

Figure 31.22 shows details of operations by the RSPI data register (SPDR) and the shift register in transfer with parity enabled, 24 bits as the RSPI data length for an example that is not 32 bits, and LSB-first selected.

In transmission, the value of the parity bit (P) is calculated from bits T22 to T00. This replaces the final bit, T23, and the whole is copied to the shift register. Data are transmitted in the order T00, T01, ..., T22, and P.

In reception, received data are shifted in bit by bit through bit 8 of the shift register. When bits R00 to P have been collected after input of the required number of cycles of RSPCK, the value in the shift register is copied to the receive buffer. On copying of data to the shift register, the data from R00 to P are checked by judging the parity. At this time, the higher-order eight bits of the transmit buffer are stored in the higher-order eight bits of the receive buffer. Writing 0 to bits T31 to T24 at the time of transmission leads to 0 being inserted in the higher-order eight bits of the receive buffer.

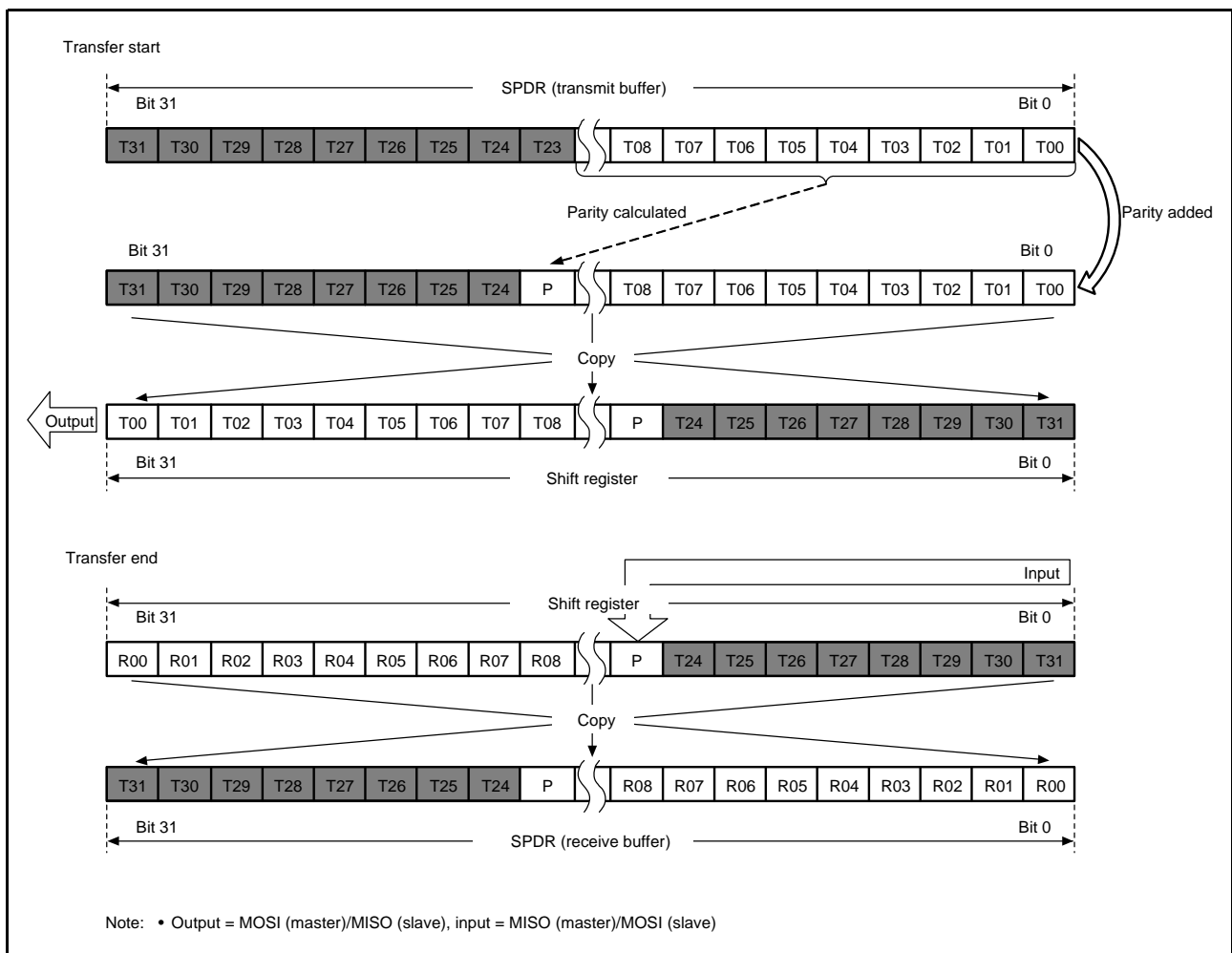


Figure 31.22 LSB-First Transfer (24-Bit Data, Parity Enabled)

31.3.5 Transfer Format

31.3.5.1 CPHA = 0

Figure 31.23 shows a sample transfer format for the serial transfer of 8-bit data when the SPCMDm.CPHA bit is 0. Note that clock synchronous operation (the SPCR.SPMS bit is 1) is not guaranteed when the RSPI operates in slave mode (SPCR.MSTR = 0) and the CPHA bit is 0. In Figure 31.23, RSPCKA (CPOL = 0) indicates the RSPCKA signal waveform when the SPCMDm.CPOL bit is 0; RSPCKA (CPOL = 1) indicates the RSPCKA signal waveform when the CPOL bit is 1. The sampling timing represents the timing at which the RSPI fetches serial transfer data into the shift register. The input/output directions of the signals depend on the RSPI settings. For details, see section 31.3.2, Controlling RSPI Pins.

When the SPCMDm.CPHA bit is 0, the driving of valid data to the MOSIA and MISOA signals commences at an SSLAi signal assertion timing. The first RSPCKA signal change timing that occurs after the SSLAi signal assertion becomes the first transfer data fetch timing. After this timing, data is sampled at every 1 RSPCK cycle. The change timing for MOSIA and MISOA signals is always 1/2 RSPCK cycles after the transfer data fetch timing. The CPOL bit setting does not affect the RSPCK signal operation timing; it only affects the signal polarity.

t1 denotes a period from an SSLAi signal assertion to RSPCKA oscillation (RSPCK delay). t2 denotes a period from the termination of RSPCKA oscillation to an SSLAi signal negation (SSL negation delay). t3 denotes a period in which SSLAi signal assertion is suppressed for the next transfer after the end of serial transfer (next-access delay). t1, t2, and t3 are controlled by a master device running on the RSPI system. For a description of t1, t2, and t3 when the RSPI of this LSI is in master mode, see section 31.3.10.1, Master Mode Operation.

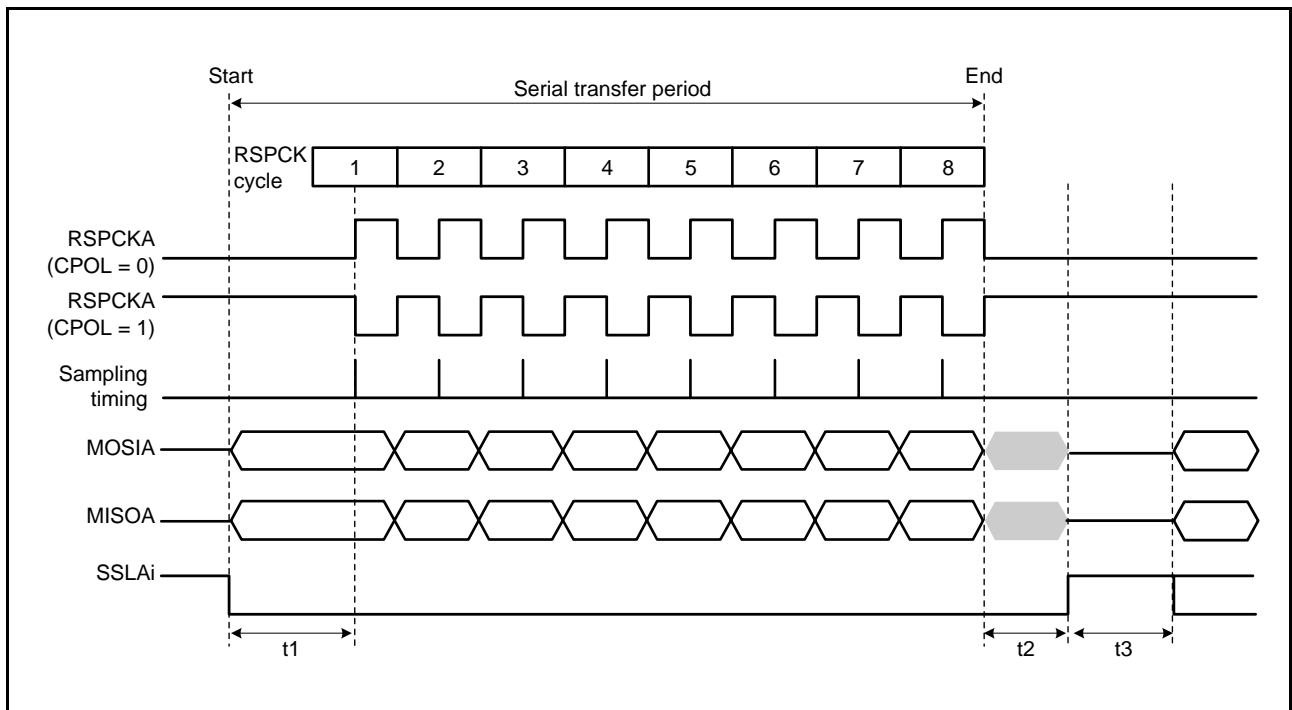


Figure 31.23 RSPI Transfer Format (CPHA = 0)

31.3.5.2 CPHA = 1

Figure 31.24 shows a sample transfer format for the serial transfer of 8-bit data when the SPCMDm.CPHA bit is 1. However, when the SPCR.SPMS bit is 1, the SSLAi signals are not used, and only the three signals RSPCKA, MOSIA, and MISOA handle communications. In Figure 31.24, RSPCK (CPOL = 0) indicates the RSPCKA signal waveform when the SPCMDm.CPOL bit is 0; RSPCK (CPOL = 1) indicates the RSPCKA signal waveform when the CPOL bit is 1. The sampling timing represents the timing at which the RSPI fetches serial transfer data into the shift register. The input/output directions of the signals depend on the RSPI mode (master or slave). For details, see section 31.3.2, Controlling RSPI Pins.

When the SPCMDm.CPHA bit is 1, the driving of invalid data to the MISOA signal commences at an SSLAi signal assertion timing. The output of valid data to the MOSIA and MISOA signals commences at the first RSPCKA signal change timing that occurs after the SSLAi signal assertion. After this timing, data is updated at every 1 RSPCK cycle. The transfer data fetch timing is always 1/2 RSPCK cycles after the data update timing. The SPCMDm.CPOL bit setting does not affect the RSPCKA signal operation timing; it only affects the signal polarity.

t1, t2, and t3 are the same as those in the case of CPHA = 0. For a description of t1, t2, and t3 when the RSPI of this LSI is in master mode, see section 31.3.10.1, Master Mode Operation.

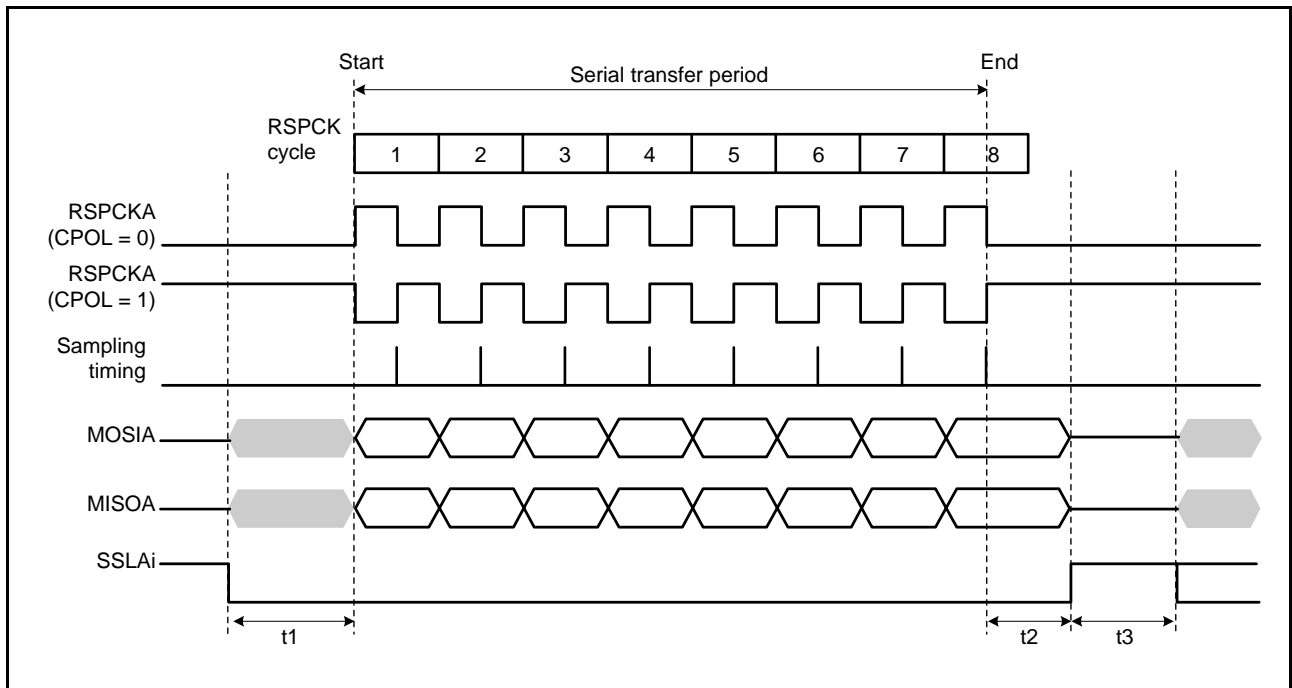


Figure 31.24 RSPI Transfer Format (CPHA = 1)

31.3.6 Communications Operating Mode

Full-duplex synchronous serial communications or transmit operations only can be selected by the communications operating mode select bit (SPCR.TXMD). The SPDR access shown in Figure 31.25 and Figure 31.26 indicates the condition of access to the SPDR register, where W denotes a write cycle.

31.3.6.1 Full-Duplex Synchronous Serial Communications (SPCR.TXMD = 0)

Figure 31.25 shows an example of operation when the communications operating mode select bit (SPCR.TXMD) is set to 0. In the example in Figure 31.25, the RSPI performs an 8-bit serial transfer in which the SPDCR.SPFC[1:0] bits are 00b, the SPCMDm.CPHA bit is 1, and the SPCMDm.CPOL bit is 0. The numbers given under the RSPCKA waveform represent the number of RSPCK cycles (i.e., the number of transferred bits).

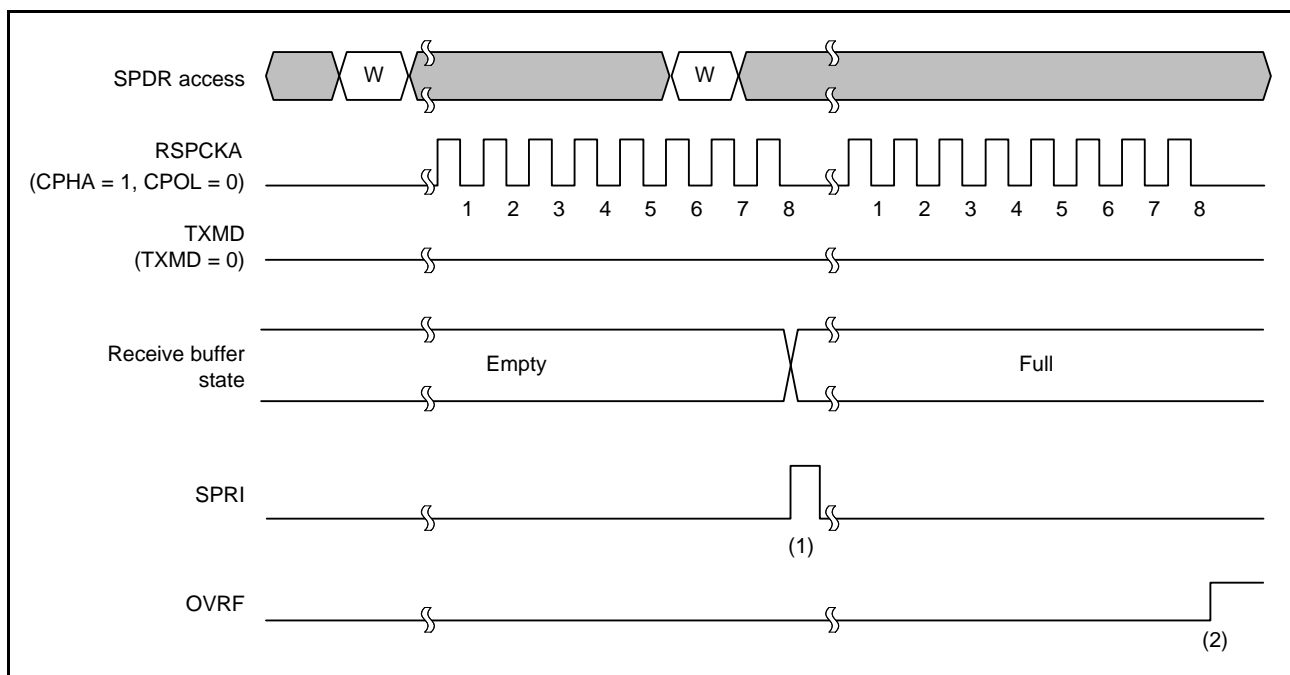


Figure 31.25 Operation Example of SPCR.TXMD = 0

The operation of the flags at timings shown in steps (1) and (2) in the figure is described below.

- (1) When a serial transfer ends with the receive buffer of SPDR empty, the RSPI generates a receive buffer full interrupt request (SPRI) and copies the received data in the shift register to the receive buffer.
- (2) When a serial transfer ends with the receive buffer of SPDR holding data that was received in the previous serial transfer, the RSPI sets the SPSR.OVRF flag to 1 and discards the received data in the shift register.

31.3.6.2 Transmit Operations Only (SPCR.TXMD = 1)

Figure 31.26 shows an example of operation when the communications operating mode select bit (SPCR.TXMD) is set to 1. In the example in Figure 31.26, the RSPI performs an 8-bit serial transfer in which the SPDCR.SPFC[1:0] bits are 00b, the SPCMDm.CPHA bit is 1, and the SPCMDm.CPOL bit is 0. The numbers given under the RSPCKA waveform represent the number of RSPCK cycles (i.e., the number of transferred bits).

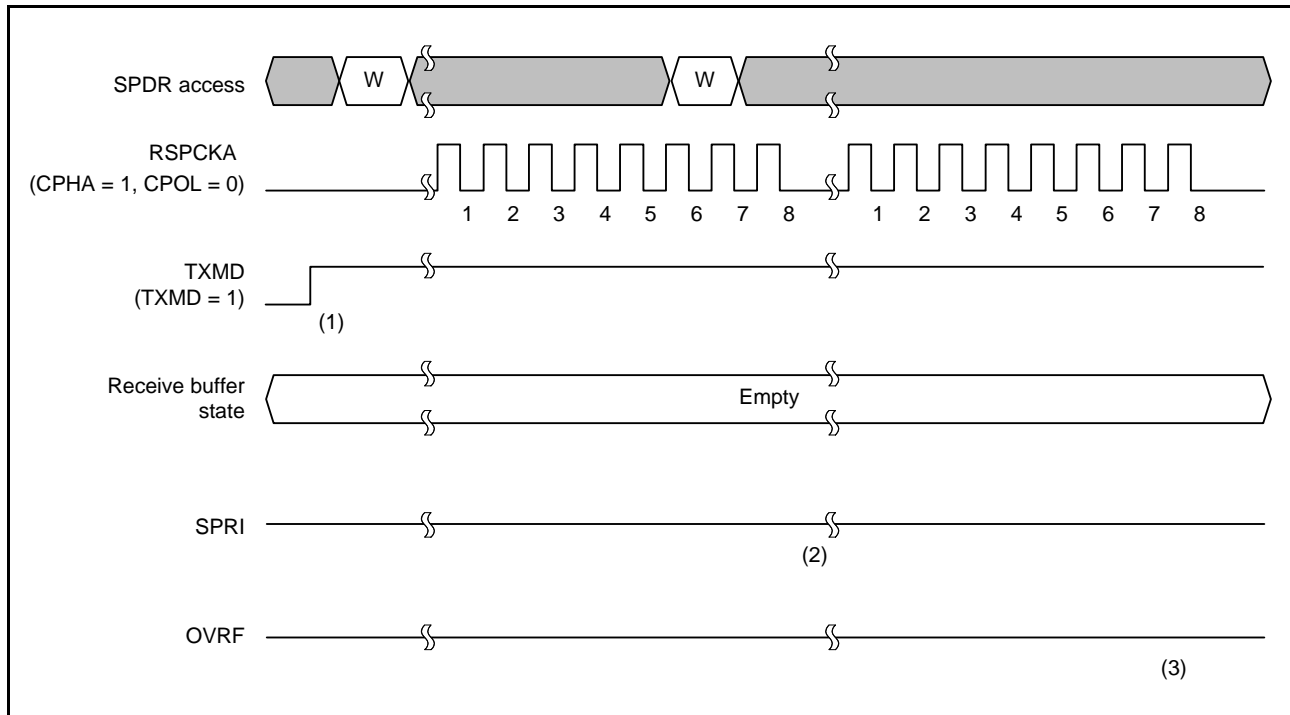


Figure 31.26 Operation Example of SPCR.TXMD = 1

The operation of the flags at timings shown in steps (1) to (3) in the figure is described below.

- (1) Make sure there is no data left in the receive buffer and the SPSR.OVRF flag is 0 before entering the mode of transmit operations only (SPCR.TXMD = 1).
- (2) When a serial transfer ends with the receive buffer of SPDR empty, if the mode of transmit operations only is selected (SPCR.TXMD = 1), the RSPI does not copy the data in the shift register to the receive buffer.
- (3) Since the receive buffer of SPDR does not hold data that was received in the previous serial transfer, even when a serial transfer ends, the SPSR.OVRF flag retains the value of 0, and the data in the shift register is not copied to the receive buffer.

When performing transmit operations only (SPCR.TXMD = 1), the RSPI transmits transmit data but does not receive received data. Therefore, the SPSR.OVRF flag remains cleared to 0 at the timings of (1) to (3).

31.3.7 Transmit Buffer Empty/Receive Buffer Full Interrupts

Figure 31.27 shows an example of operation of the RSPI transmit buffer empty interrupt (SPTI) and the RSPI receive buffer full interrupt (SPRI). The SPDR register access shown in Figure 31.27 indicates the condition of access to the SPDR register, where W denotes a write cycle, and R a read cycle. In the example in Figure 31.27, the RSPI performs an 8-bit serial transfer in which the SPCR.TXMD bit is 0, the SPDCR.SPFC[1:0] bits are 00b, the SPCMDm.CPHA bit is 1, and the SPCMDm.CPOL bit is 0. The numbers given under the RSPCKA waveform represent the number of RSPCK cycles (i.e., the number of transferred bits).

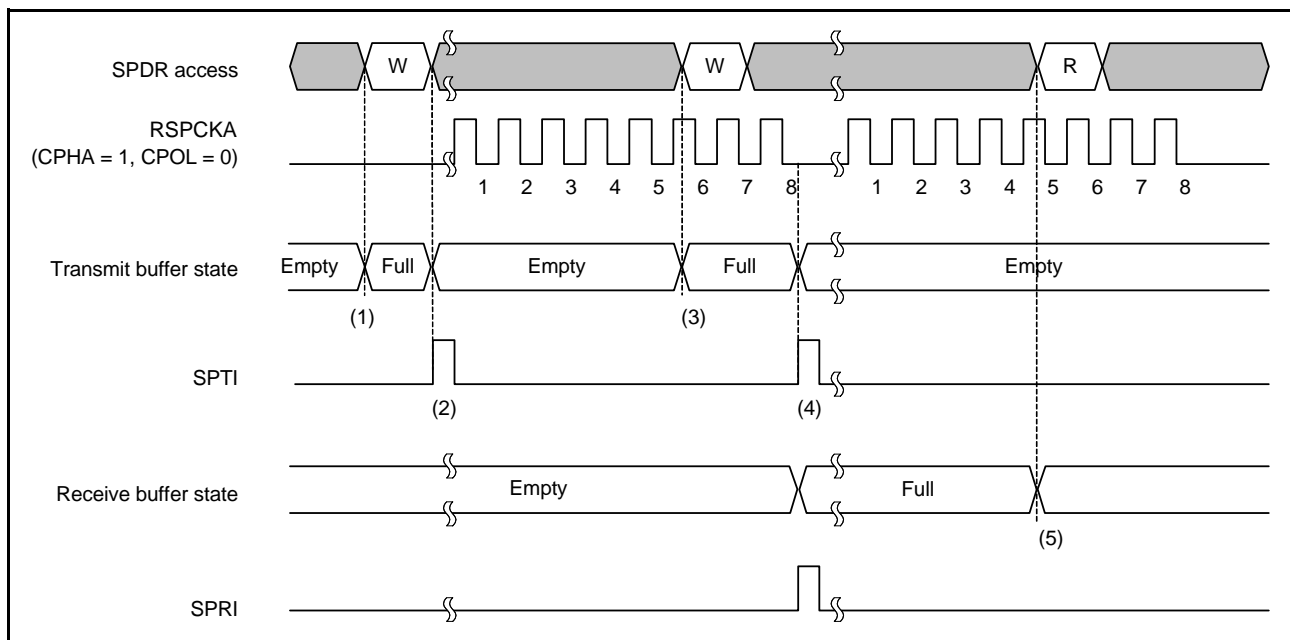


Figure 31.27 Operation Example of SPTI and SPRI Interrupts

The operation of the interrupts at timings shown in steps (1) to (5) in the figure is described below.

1. When transmit data is written to SPDR when the transmit buffer of SPDR is empty (data for the next transfer is not set), the RSPI writes data to the transmit buffer.
2. If the shift register is empty, the RSPI copies the data in the transmit buffer to the shift register and generates a transmit buffer empty interrupt request (SPTI). How a serial transfer is started depends on the mode of the RSPI. For details, see section 31.3.10, SPI Operation, and section 31.3.11, Clock Synchronous Operation.
3. When transmit data is written to SPDR by the transmit buffer empty interrupt routine, the data is transferred to the transmit buffer. Because the data being transferred serially is stored in the shift register, the RSPI does not copy the data in the transmit buffer to the shift register.
4. When the serial transfer ends with the receive buffer of SPDR being empty, the RSPI copies the receive data in the shift register to the receive buffer and generates a receive buffer full interrupt request (SPRI). Since the shift register becomes empty upon completion of serial transfer, when the transmit buffer had been full before the serial transfer ended, the RSPI copies the data in the transmit buffer to the shift register. Even when received data is not copied from the shift register to the receive buffer in an overrun error status, upon completion of the serial transfer, the RSPI determines that the shift register is empty, thus data transfer from the transmit buffer to the shift register is enabled.
5. When SPDR is read by the receive buffer full interrupt routine, the receive data can be read.

If SPDR is written to when the transmit buffer holds data that has not yet been transmitted, the RSPI does not update the data in the transmit buffer. When writing to SPDR, make sure to use a transmit buffer empty interrupt request. To use an RSPI transmit interrupt, set the SPTIE bit in SPCR to 1.

If the RSPI function is disabled (the SPE bit in SPCR being 0), set the SPTIE bit to 0.

When serial transfer ends with the receive buffer being full, the RSPI does not copy data from the shift register to the receive buffer, and detects an overrun error (see section 31.3.8, Error Detection). To prevent a receive data overrun error, read the received data using a receive buffer full interrupt request before the next serial transfer ends. To use an RSPI receive interrupt, set the SPCR.SPRIE bit to 1.

Transmission and reception interrupts or the corresponding IRn.IR flags (where n is the vector number) in ICU can be used to confirm the states of the transmission and reception buffers. See section 14, Interrupt Controller (ICUb), for the vector numbers.

31.3.8 Error Detection

In the normal RSPI serial transfer, the data written to the transmit buffer of SPDR is serially transmitted, and the serially received data can be read from the receive buffer of SPDR. If access is made to SPDR, depending on the status of the transmit/receive buffer or the status of the RSPI at the beginning or end of serial transfer, in some cases non-normal transfers can be executed.

If a non-normal transfer operation occurs, the RSPI detects the event as an overrun error, parity error, or mode fault error. Table 31.8 lists the relationship between non-normal transfer operations and the RSPI's error detection function.

Table 31.8 Relationship between Non-Normal Transfer Operations and RSPI Error Detection Function

	Occurrence Condition	RSPI Operation	Error Detection
A	SPDR is written when the transmit buffer is full.	<ul style="list-style-type: none"> The contents of the transmit buffer are kept. Missing write data. 	None
B	Serial transfer is started in slave mode when transmit data is still not loaded on the shift register.	Data received in previous serial transfer is serially transmitted.	None
C	SPDR is read when the receive buffer is empty.	Previously received serial data is output.	None
D	Serial transfer terminates when the receive buffer is full.	<ul style="list-style-type: none"> The contents of the receive buffer are kept. Missing serial receive data. 	Overrun error
E	An incorrect parity bit is received when performing full-duplex synchronous serial communications with the parity function enabled.	The parity error flag is asserted.	Parity error
F	The SSLA0 input signal is asserted when the serial transfer is idle in multi-master mode.	<ul style="list-style-type: none"> Driving of the RSPCKA, MOSIA, SSLA1 to SSLA3 output signals is stopped. RSPI function is disabled. 	Mode fault error
G	The SSLA0 input signal is asserted during serial transfer in multi-master mode.	<ul style="list-style-type: none"> Serial transfer is suspended. Missing transmit/receive data. Driving of the RSPCKA, MOSIA, SSLA1 to SSLA3 output signals is stopped. RSPI function is disabled. 	Mode fault error
H	The SSLA0 input signal is negated during serial transfer in slave mode.	<ul style="list-style-type: none"> Serial transfer is suspended. Missing transmit/receive data. Driving of the MISOA output signal is stopped. RSPI function is disabled. 	Mode fault error

On operation A described in Table 31.8, the RSPI does not detect an error. To prevent data omission during the writing to SPDR, write operations to SPDR should be executed using a transmit interrupt request.

Likewise, the RSPI does not detect an error on operation B. In a serial transfer that was started before the shift register was updated, the RSPI sends the data that was received in the previous serial transfer, and does not treat the operation indicated in B as an error. Note that the received data from the previous serial transfer is retained in the receive buffer of SPDR, thus it can be correctly read (if SPDR is not read before the end of the serial transfer, an overrun error may occur). Similarly, the RSPI does not detect an error on operation C. To prevent extraneous data from being read, SPDR read operation should be executed using a receive interrupt request.

An overrun error shown in D is described in section 31.3.8.1, **Overrun Error**. A parity error shown in E is described in section 31.3.8.2, **Parity Error**. A mode fault error shown in F to H is described in section 31.3.8.3, **Mode Fault Error**.

For the transmit and receive interrupts, refer to section 31.3.7, **Transmit Buffer Empty/Receive Buffer Full Interrupts**.

31.3.8.1 Overrun Error

If a serial transfer ends when the receive buffer of SPDR is full, the RSPI detects an overrun error, and sets the OVRF flag in SPSR to 1. When the OVRF flag is 1, the RSPI does not copy data from the shift register to the receive buffer so that the data prior to the occurrence of the error is retained in the receive buffer. To set the OVRF flag to 0, write 0 to the OVRF flag after the CPU has read SPSR with the OVRF flag set to 1.

Figure 31.28 shows an example of operation of the OVRF flag. The SPSR and SPDR accesses shown in Figure 31.28 indicate the condition of accesses to SPSR and SPDR, respectively, where W denotes a write cycle, and R a read cycle. In the example in Figure 31.28, the RSPI performs an 8-bit serial transfer in which the SPCMDm.CPHA bit is 1 and the SPCMDm.CPOL bit is 0. The numbers given under the RSPCKA waveform represent the number of RSPCK cycles (i.e., the number of transferred bits).

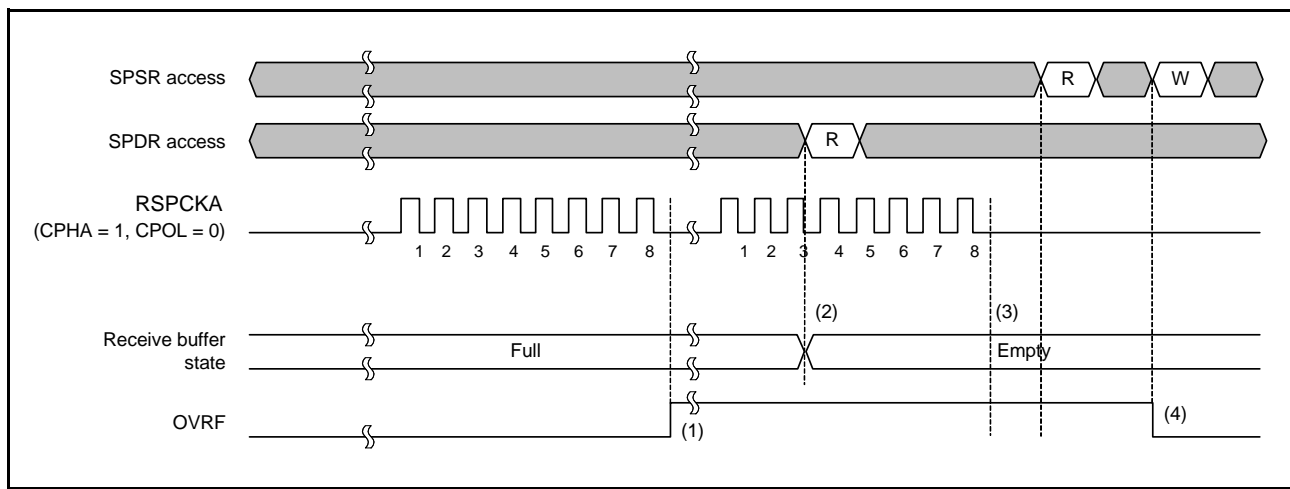


Figure 31.28 Operation Example of OVRF Flag

The operation of the flags at the timing shown in steps (1) to (4) in the figure is described below.

1. If a serial transfer terminates with the receive buffer full, the RSPI detects an overrun error, and sets the OVRF flag to 1. The RSPI does not copy the data in the shift register to the receive buffer. Even if the SPPE bit is 1, parity errors are not detected. In master mode, the RSPI copies the pointer value to SPCMDm register to the SPSSR.SPECM[2:0] bits.
2. When SPDR is read, the RSPI outputs the data in the receive buffer can be read. The receive buffer becoming empty does not clear the OVRF flag.
3. If the serial transfer ends with the OVRF flag being 1 (an overrun error), the RSPI does not copy the data in the shift register to the receive buffer. A reception-buffer interrupt is not generated. Even if the SPPE bit is 1, parity errors are not detected. When in master mode, the RSPI does not update the SPSSR.SPECM[2:0] bits. When in an overrun error state and the RSPI does not copy the received data from the shift register to the receive buffer, upon termination of the serial transfer, the RSPI determines that the shift register is empty; in this manner, data transfer from the transmit buffer to the shift register is enabled.
4. If the value 0 is written to the OVRF flag after SPSR is read when the OVRF flag is 1, OVRF flag is cleared to 0.

The occurrence of an overrun can be checked either by reading SPSR or by using an RSPI error interrupt and reading SPSR. When executing a serial transfer, measures should be taken to ensure the early detection of overrun errors, such as reading SPSR immediately after SPDR is read. When the RSPI is used in master mode, the pointer value to SPCMDm register at the occurrence of the error can be checked by reading the SPSSR.SPECM[2:0] bits.

If an overrun error occurs and the OVRF flag is set to 1, normal reception operations cannot be performed until the OVRF flag is cleared.

31.3.8.2 Parity Error

If full-duplex synchronous serial communications is performed with the SPCR.TXMD bit cleared to 0 and the SPCR2.SPPE bit set to 1, when serial transfer ends, the RSPI checks whether there are parity errors. Upon detecting a parity error in the received data, the RSPI sets the SPSR.PERF flag to 1. Since the RSPI does not copy the data in the shift register to the receive buffer when the SPSR.OVRF flag is set to 1, parity error detection is not performed for the received data. To set the PERF flag to 0, write 0 to the PERF flag after SPSR register is read with the PERF flag set to 1. Figure 31.29 shows an example of operation of the OVRF and PERF flags. The SPSR access shown in Figure 31.29 indicates the condition of access to SPSR register, where W denotes a write cycle, and R a read cycle. In the example of Figure 31.29, full-duplex synchronous serial communications is performed while the SPCR.TXMD bit is 0 and the SPCR2.SPPE bit is 1. The RSPI performs an 8-bit serial transfer in which the SPCMDm.CPHA bit is 1 and the SPCMDm.CPOL bit is 0. The numbers given under the RSPCKA waveform represent the number of RSPCK cycles (i.e., the number of transferred bits).

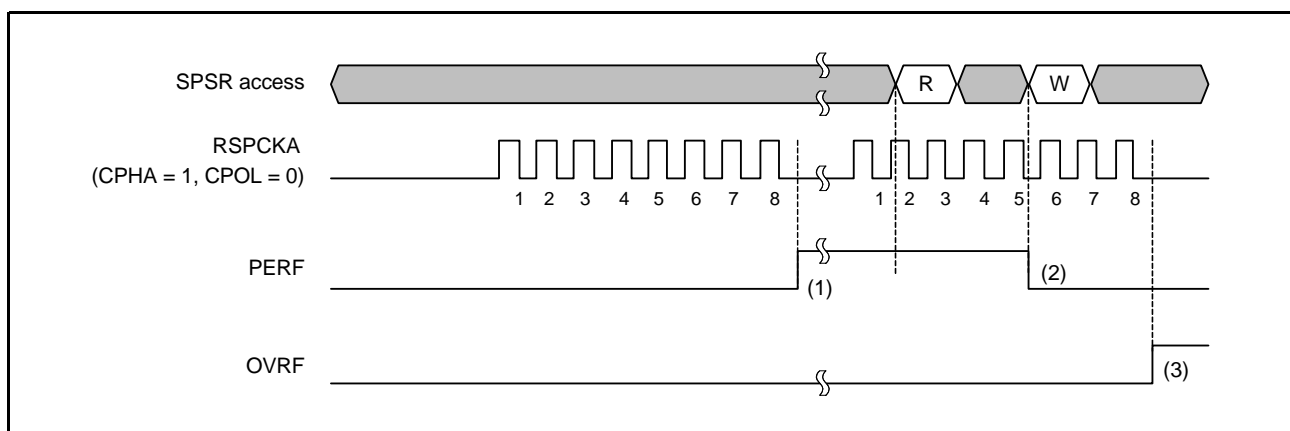


Figure 31.29 Operation Example of PERF Flag

The operation of the flags at the timing shown in steps (1) to (3) in the figure is described below.

1. If a serial transfer terminates with the RSPI not detecting an overrun error, the RSPI copies the data in the shift register to the receive buffer. The RSPI judges the received data at this timing, and sets the PERF flag to 1 if a parity error is detected. In master mode, the RSPI copies the pointer value to SPCMDm register to the SPSSR.SPECM[2:0] bits.
2. If the value 0 is written to the PERF flag after SPSR register is read when the PERF flag is 1, the PERF flag is cleared to 0.
3. When the RSPI detects an overrun error and serial transfer is terminated, the data in the shift register is not copied to the receive buffer. The RSPI does not perform parity error detection at this timing.

The occurrence of a parity error can be checked either by reading SPSR register or by using an RSPI error interrupt and reading SPSR register. When executing a serial transfer, measures should be taken to ensure the early detection of parity errors, such as reading SPSR. When the RSPI is used in master mode, the pointer value to SPCMDm register at the occurrence of the error can be checked by reading the SPSSR.SPECM[2:0] bits.

31.3.8.3 Mode Fault Error

The RSPI operates in multi-master mode when the SPCR.MSTR bit is 1, the SPCR.SPMS bit is 0, and the SPCR.MODFEN bit is 1. If the active level is input with respect to the SSLA0 input signal of the RSPI in multi-master mode, the RSPI detects a mode fault error irrespective of the status of the serial transfer, and sets the MODF bit in the RSPI status register (SPSR) to 1. Upon detecting the mode fault error, the RSPI copies the value of the pointer to SPCMDm to the SPSSR.SPECM[2:0] bits. The active level of the SSLA0 signal is determined by the SSL0P bit in the RSPI slave select polarity register (SSLP).

When the MSTR bit is 0, the RSPI operates in slave mode. The RSPI detects a mode fault error if the MODFEN bit in the RSPI in slave mode is 1, and the SPMS bit is 0, and if the SSLA0 input signal is negated during the serial transfer period (from the time the driving of valid data is started to the time the final valid data is fetched).

Upon detecting a mode fault error, the RSPI stops driving of the output signals and clears the SPCR.SPE bit to 0 (see section 31.3.9, Initializing RSPI). In the case of multi-master configuration, detection of a mode fault error is used to stop driving of the output signals and the RSPI function, which allows the master right to be released.

The occurrence of a mode fault error can be checked either by reading SPSR or by using an RSPI error interrupt and reading SPSR. Detecting mode-fault errors without utilizing the RSPI error interrupt requires polling of SPSR. When using the RSPI in master mode, the pointer value to SPCMDm register at the occurrence of the error can be checked by reading the SPSSR.SPECM[2:0] bits.

When the MODF bit is 1, writing of the value 1 to the SPE bit is ignored by the RSPI. To enable the RSPI function after the detection of a mode fault error, the MODF bit must be set to 0.

31.3.9 Initializing RSPI

If the value 0 is written to the SPE bit in the RSPI control register (SPCR) or the RSPI clears the SPE bit to 0 because of the detection of a mode fault error, the RSPI disables the RSPI function, and initializes some of the module functions. When a system reset is generated, the RSPI initializes all of the module functions. The following describes initialization by the clearing of the SPE bit in SPCR and initialization by a system reset.

31.3.9.1 Initialization by Clearing the SPE Bit

When the SPE bit in SPCR is cleared, the RSPI performs the following initialization:

- Suspending any serial transfer that is being executed
- Stopping the driving of output signals (Hi-Z) in slave mode
- Initializing the internal state of the RSPI
- Initializing the transmit buffer of the RSPI

Initialization by the clearing of the SPE bit does not initialize the control bits of the RSPI. For this reason, the RSPI can be started in the same transfer mode as prior to the initialization if the SPE bit is set to 1 again.

The OVRF and MODF flags in SPSR are not initialized, nor is the value of the RSPI sequence status register (SPSSR) initialized. For this reason, even after the RSPI is initialized, data from the receive buffer can be read in order to check the status of error occurrence during an RSPI transfer.

The transmit buffer is initialized to an empty state. Therefore, if the SPTIE bit in SPCR is set to 1 after RSPI initialization, an RSPI transmit interrupt is generated. When the RSPI is initialized, in order to disable any RSPI transmit interrupt, the value 0 should be written to the SPTIE bit simultaneously with the writing of the value 0 to the SPE bit. To disable any RSPI transmit interrupt after a mode fault error is detected, use an error handling routine to write the value 0 to the SPTIE bit.

31.3.9.2 System Reset

The initialization by a system reset completely initializes the RSPI through the initialization of all bits for controlling the RSPI, initialization of the status bits, and initialization of data registers, in addition to the requirements described in section 31.3.9.1, Initialization by Clearing the SPE Bit.

31.3.10 SPI Operation

31.3.10.1 Master Mode Operation

The only difference between single-master mode operation and multi-master mode operation lies in mode fault error detection (see section 31.3.8, Error Detection). When operating in single-master mode, the RSPI does not detect mode fault errors whereas the RSPI running in multi-master mode does detect mode fault errors. This section explains operations that are common to single-master mode and multi-master mode.

(1) Starting a Serial Transfer

The RSPI updates the data in the transmit buffer (SPTX) when data is written to the RSPI data register (SPDR) with the RSPI transmit buffer being empty (data for the next transfer is not set). When the shift register is empty after the number of frames set in the SPDCR.SPFC[1:0] bits are written to the SPDR, the RSPI copies data from the transmission buffer to the shift register and starts serial transfer. Upon copying transmit data to the shift register, the RSPI changes the status of the shift register to “full”, and upon termination of serial transfer, it changes the status of the shift register to “empty”. The status of the shift register cannot be referenced.

For details on the RSPI transfer format, see section 31.3.5, Transfer Format. The polarity of the SSLAi output pins depends on the SSLP register settings.

(2) Terminating a Serial Transfer

Irrespective of the CPHA bit in the RSPI command register (SPCMDm), the RSPI terminates the serial transfer after transmitting an RSPCKA edge corresponding to the final sampling timing. If free space is available in the receive buffer (SPRX), upon termination of serial transfer, the RSPI copies data from the shift register to the receive buffer of the RSPI data register (SPDR).

It should be noted that the final sampling timing varies depending on the bit length of transfer data. In master mode, the RSPI data length depends on the SPCMDm.SPB[3:0] bit setting. The polarity of the SSLAi output pin depends on the SSLP register settings.

For details on the RSPI transfer format, see section 31.3.5, Transfer Format.

(3) Sequence Control

The transfer format that is employed in master mode is determined by SPSCR, SPCMDm, SPBR, SPCKD, SSLND, and SPND registers.

SPSCR is a register used to determine the sequence configuration for serial transfers that are executed by the RSPI in master mode. The following items are set in SPCMDm register: SSLAi pin output signal value, MSB/LSB first, data length, some of the bit rate settings, RSPCK polarity/phase, whether SPCKD is to be referenced, whether SSLND is to be referenced, and whether SPND is to be referenced. SPBR holds some of the bit rate settings; SPCKD, an RSPI clock delay value; SSLND, an SSL negation delay; and SPND, a next-access delay value.

According to the sequence length that is assigned to SPSCR, the RSPI makes up a sequence comprised of a part or all of SPCMDm register. The RSPI contains a pointer to the SPCMDm register that makes up the sequence. The value of this pointer can be checked by reading the SPSSR.SPCP[2:0] bits. When the SPCR.SPE bit is set to 1 and the RSPI function is enabled, the RSPI loads the pointer to the commands in SPCMD0, and incorporates the SPCMD0 settings into the transfer format at the beginning of serial transfer. The RSPI increments the pointer each time the next-access delay period for a data transfer ends. Upon completion of the serial transfer that corresponds to the final command comprising the sequence, the RSPI sets the pointer in SPCMD0, and in this manner the sequence is executed repeatedly.

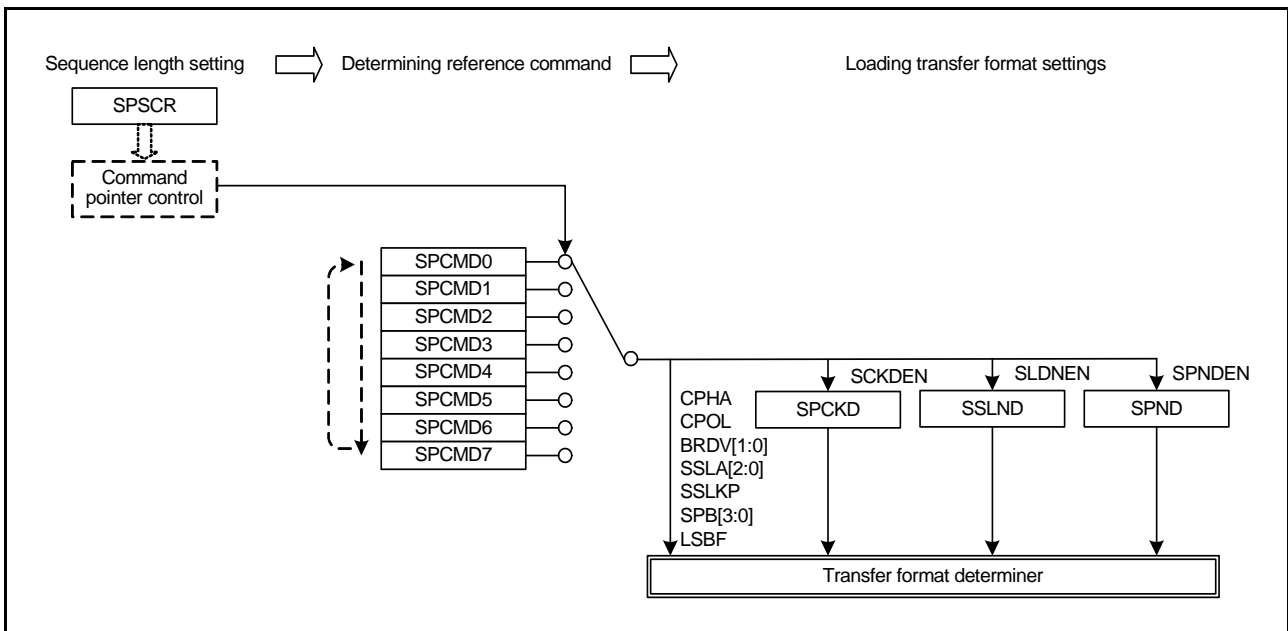


Figure 31.30 Procedure for Determining the Form of Serial Transfer in Master Mode

In this section, a frame is the combination of the data (SPDR) and the settings (SPCMDm).

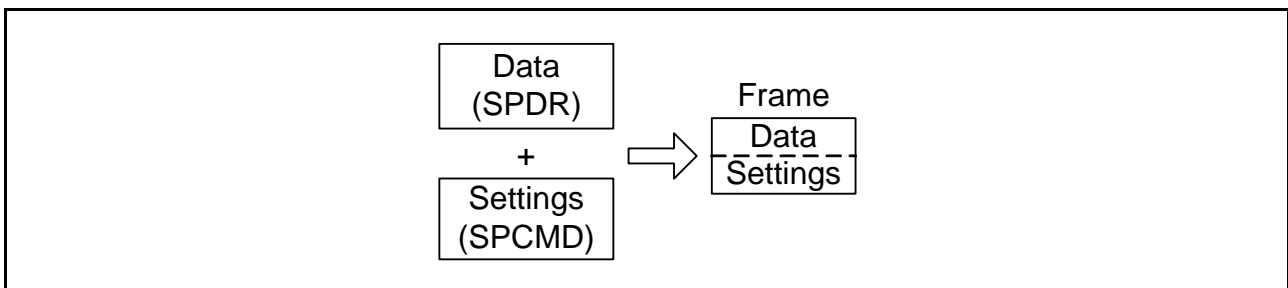


Figure 31.31 Concept of a Frame

Figure 31.32 shows the relationship between the command and the transmit and receive buffers in the sequence of operations specified by the settings in Table 31.4.

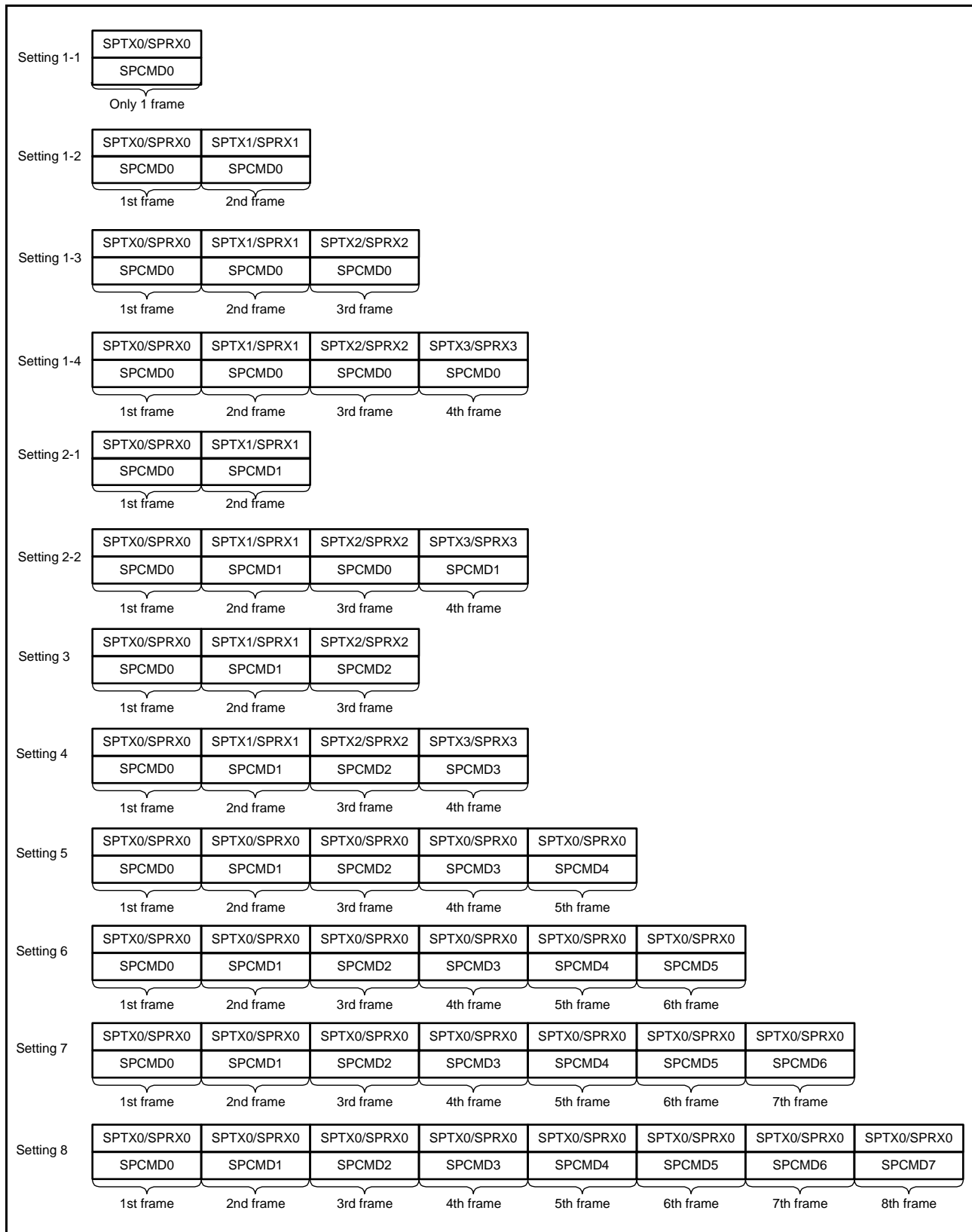


Figure 31.32 Correspondence between the RSPI Command Register and Transmit/Receive Buffers in Sequence Operations

(4) Burst Transfer

If the SSLKP bit in the RSPI command register (SPCMDm) that the RSPI references during the current serial transfer is 1, the RSPI keeps the SSLAi signal level during the serial transfer until the beginning of the SSLAi signal assertion for the next serial transfer. If the SSLAi signal level for the next serial transfer is the same as the SSLAi signal level for the current serial transfer, the RSPI can execute continuous serial transfers while keeping the SSLAi signal assertion status (burst transfer).

Figure 31.33 shows an example of an SSLAi signal operation for the case where a burst transfer is implemented using SPCMD0 and SPCMD1 register settings. The text below explains the RSPI operations (1) to (7) as shown in Figure 31.33. It should be noted that the polarity of the SSLAi output signal depends on the SSLP register settings.

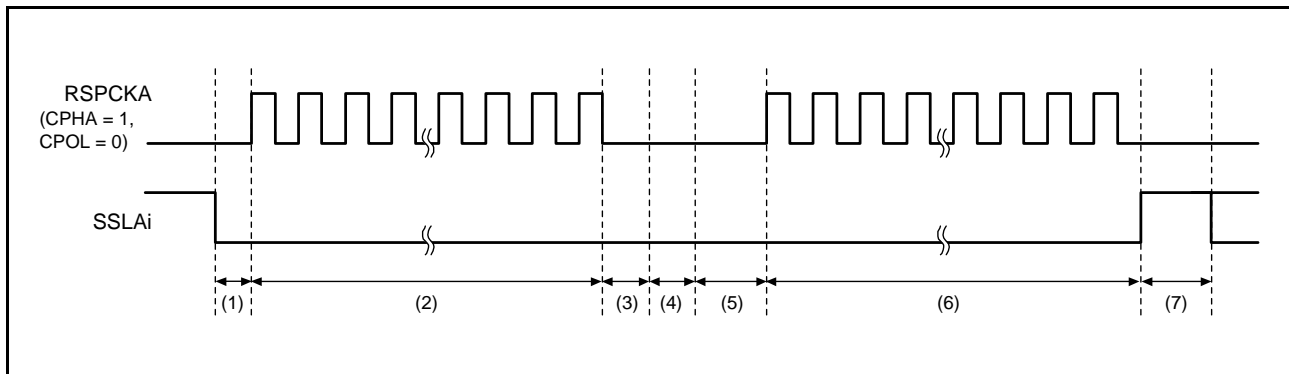


Figure 31.33 Example of Burst Transfer Operation using SSLKP Bit

- (1) Based on SPCMD0, the RSPI asserts the SSLAi signal and inserts RSPCK delays.
- (2) The RSPI executes serial transfers according to SPCMD0.
- (3) The RSPI inserts SSL negation delays.
- (4) Since the SPCMD0.SSLKP bit is 1, the RSPI keeps the SSLAi signal value on SPCMD0. This period is sustained, at the shortest, for a period equal to the next-access delay of SPCMD0. If the shift register is empty after the passage of a minimum period, this period is sustained until the transmit data is stored in the shift register for the next transfer.
- (5) Based on SPCMD1, the RSPI asserts the SSLAi signal and inserts RSPCK delays.
- (6) The RSPI executes serial transfers according to SPCMD1.
- (7) Because the SPCMD1.SSLKP bit is 0, the RSPI negates the SSLAi signal. In addition, a next-access delay is inserted according to SPCMD1.

If the SSLAi signal output settings in the SPCMDm register in which 1 is assigned to the SSLKP bit are different from the SSLAi signal output settings in the SPCMDm register to be used in the next transfer, the RSPI switches the SSLAi signal status to SSLAi signal assertion ((5) in Figure 31.33) corresponding to the command for the next transfer. Note that if such an SSLAi signal switching occurs, the slaves that drive the MISOA signal compete, and collision of signal levels may occur.

The RSPI in master mode references the SSLAi signal operation within the module for the case where the SSLKP bit is not used. Even when the SPCMDm.CPHA bit is 0, the RSPI can accurately start serial transfers by using the SSLAi signal assertion for the next transfer that is detected internally. For this reason, burst transfers in master mode can be executed irrespective of CPHA bit settings (see section 31.3.10, SPI Operation).

(5) RSPCK Delay (t1)

The RSPCK delay value of the RSPI in master mode depends on the SPCMDm.SCKDEN bit setting and the SPCKD register setting. The RSPI determines the SPCMDm register to be referenced during serial transfer by pointer control, and determines an RSPCK delay value during serial transfer by using the SPCMDm.SCKDEN bit and SPCKD, as listed in Table 31.9. For a definition of RSPCK delay, see section 31.3.5, Transfer Format.

Table 31.9 Relationship among SCKDEN Bit, SPCKD, and RSPCK Delay Value

SPCMDm.SCKDEN Bit	SPCKD.SCKDL[2:0] Bits	RSPCK Delay Value
0	000 to 111	1 RSPCK
1	000	1 RSPCK
	001	2 RSPCK
	010	3 RSPCK
	011	4 RSPCK
	100	5 RSPCK
	101	6 RSPCK
	110	7 RSPCK
	111	8 RSPCK

(6) SSL Negation Delay (t2)

The SSL negation delay value of the RSPI in master mode depends on the SPCMDm.SLNDEN bit setting and the SSLND register setting. The RSPI determines the SPCMDm register to be referenced during serial transfer by pointer control, and determines an SSL negation delay value during serial transfer by using the SPCMDm.SLNDEN bit and SSLND, as listed in Table 31.10. For a definition of SSL negation delay, see section 31.3.5, Transfer Format.

Table 31.10 Relationship among SLNDEN Bit, SSLND, and SSL Negation Delay Value

SPCMDm.SLNDEN Bit	SSLND.SLNDL[2:0] Bits	SSL Negation Delay Value
0	000 to 111	1 RSPCK
1	000	1 RSPCK
	001	2 RSPCK
	010	3 RSPCK
	011	4 RSPCK
	100	5 RSPCK
	101	6 RSPCK
	110	7 RSPCK
	111	8 RSPCK

(7) Next-Access Delay (t3)

The next-access delay value of the RSPI in master mode depends on the SPCMDm.SPNDEN bit setting and the SPND setting. The RSPI determines the SPCMDm register to be referenced during serial transfer by pointer control, and determines a next-access delay value during serial transfer by using the SPCMDm.SPNDEN bit and SPND, as listed in Table 31.11. For a definition of next-access delay, see section 31.3.5, Transfer Format.

Table 31.11 Relationship among SPNDEN Bit, SPND, and Next-Access Delay Value

SPCMDm.SPNDEN Bit	SPND.SPNDL[2:0] Bits	Next-Access Delay Value
0	000 to 111	1 RSPCK + 2 PCLK
1	000	1 RSPCK + 2 PCLK
	001	2 RSPCK + 2 PCLK
	010	3 RSPCK + 2 PCLK
	011	4 RSPCK + 2 PCLK
	100	5 RSPCK + 2 PCLK
	101	6 RSPCK + 2 PCLK
	110	7 RSPCK + 2 PCLK
	111	8 RSPCK + 2 PCLK

(8) Initialization Flowchart

Figure 31.34 is a flowchart illustrating an example of initialization in SPI operation when the RSPI is used in master mode. For a description of how to set up the interrupt controller, DMAC, and I/O ports, see the descriptions given in the individual blocks.

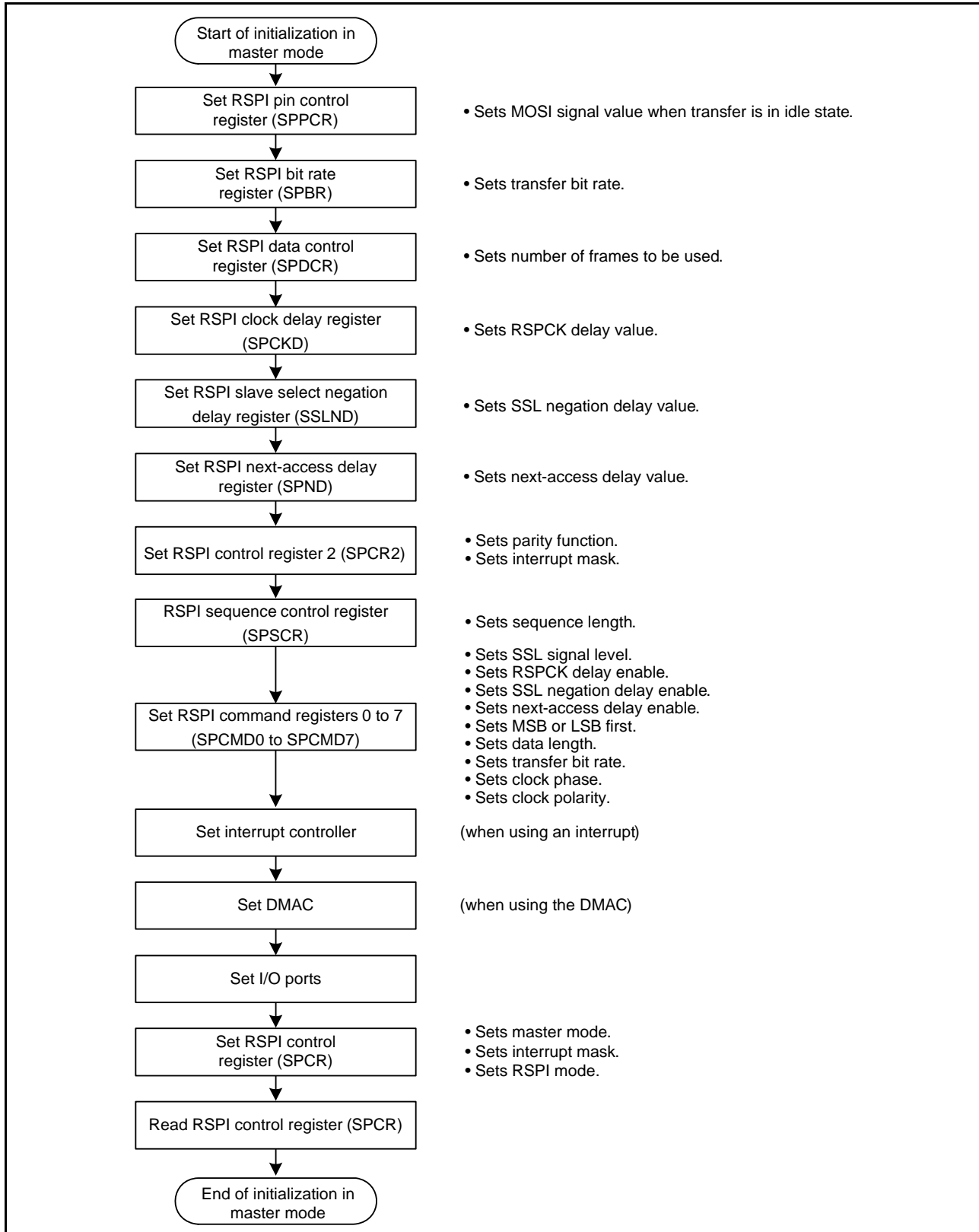


Figure 31.34 Example of Initialization Flowchart in Master Mode (SPI Operation)

(9) Software Processing Flow

Figure 31.35 to Figure 31.37 show examples of the flow of software processing.

(a) Transmit Processing Flow

When transmitting data, the CPU will be notified of the completion of data transmission after the last writing of data for transmission if the SPII interrupt is enabled.

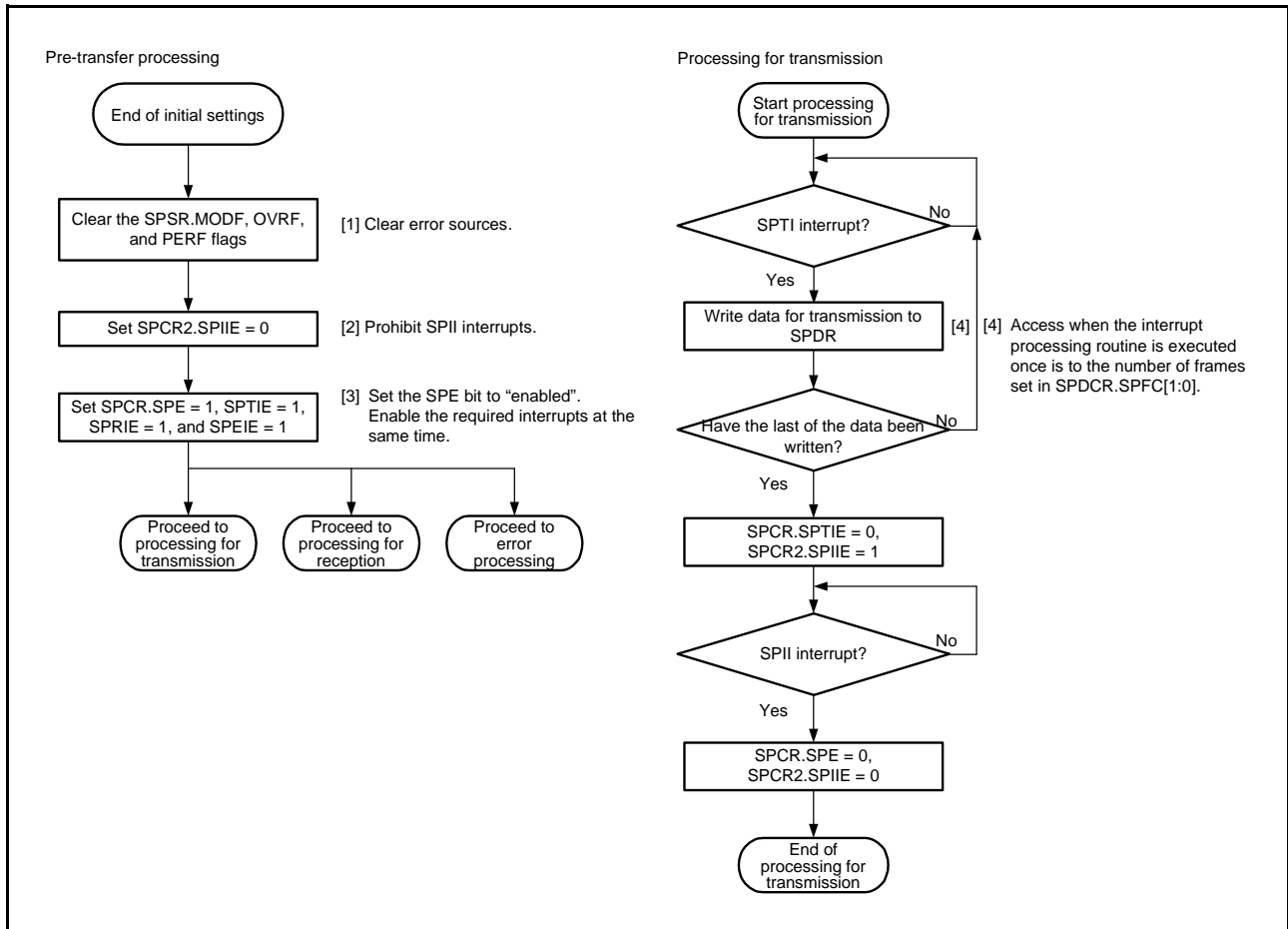


Figure 31.35 Flowchart in Master Mode (Transmission)

(b) Receive Processing Flow

The RSPI does not handle receive-only operation, so processing for transmission is required if reception is to proceed.

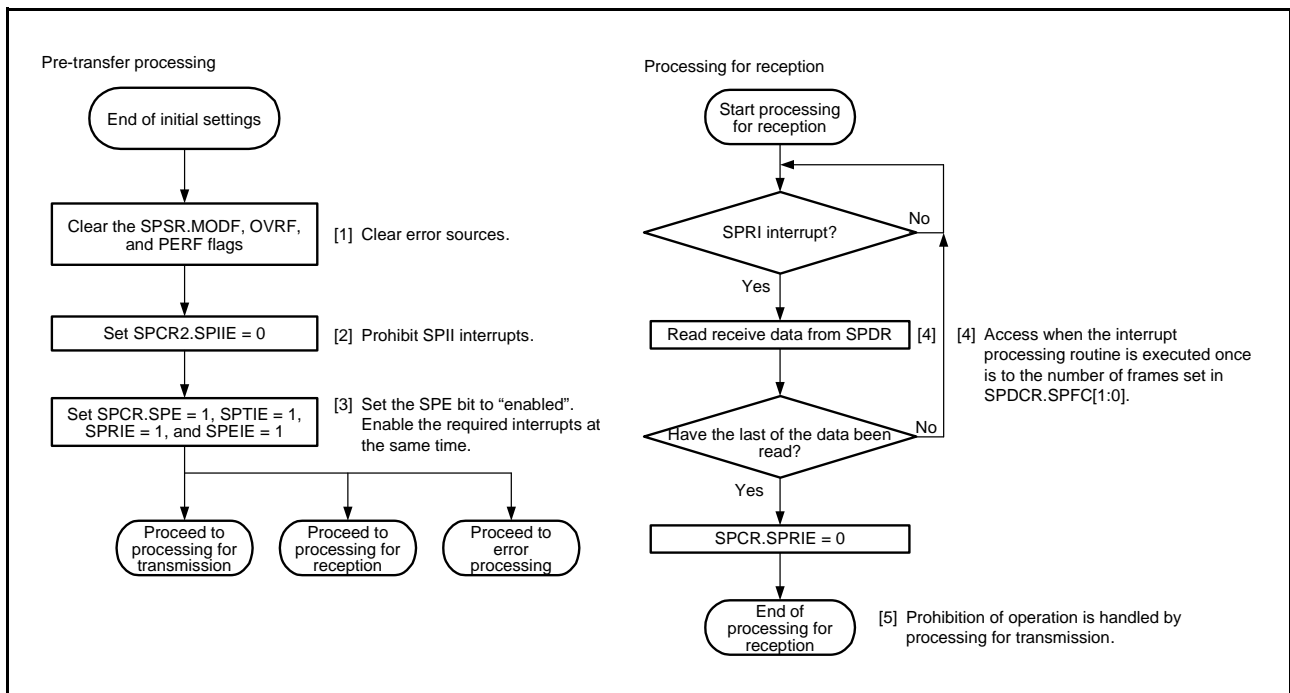


Figure 31.36 Flowchart in Master Mode (Reception)

(c) Flow of error processing

The RSPI has three types of error. When a mode-fault error is generated, the SPCR.SPE bit is automatically cleared, stopping operations for transmission and reception. For errors from other sources, however, the SPCR.SPE bit is not cleared and operations for transmission and reception continue; accordingly, we recommend clearing of the SPCR.SPE bit to stop operations in the case of errors other than mode-fault errors. Not doing so will lead to updating of the SPSSR.SPECM[2:0] bits.

When an error occurs, clear the ICU.IRn.IR flag from within the error processing routine. If this is not done, the ICU.IRn.IR flag may continue to indicate the SPTI interrupt or SPRI interrupt request.

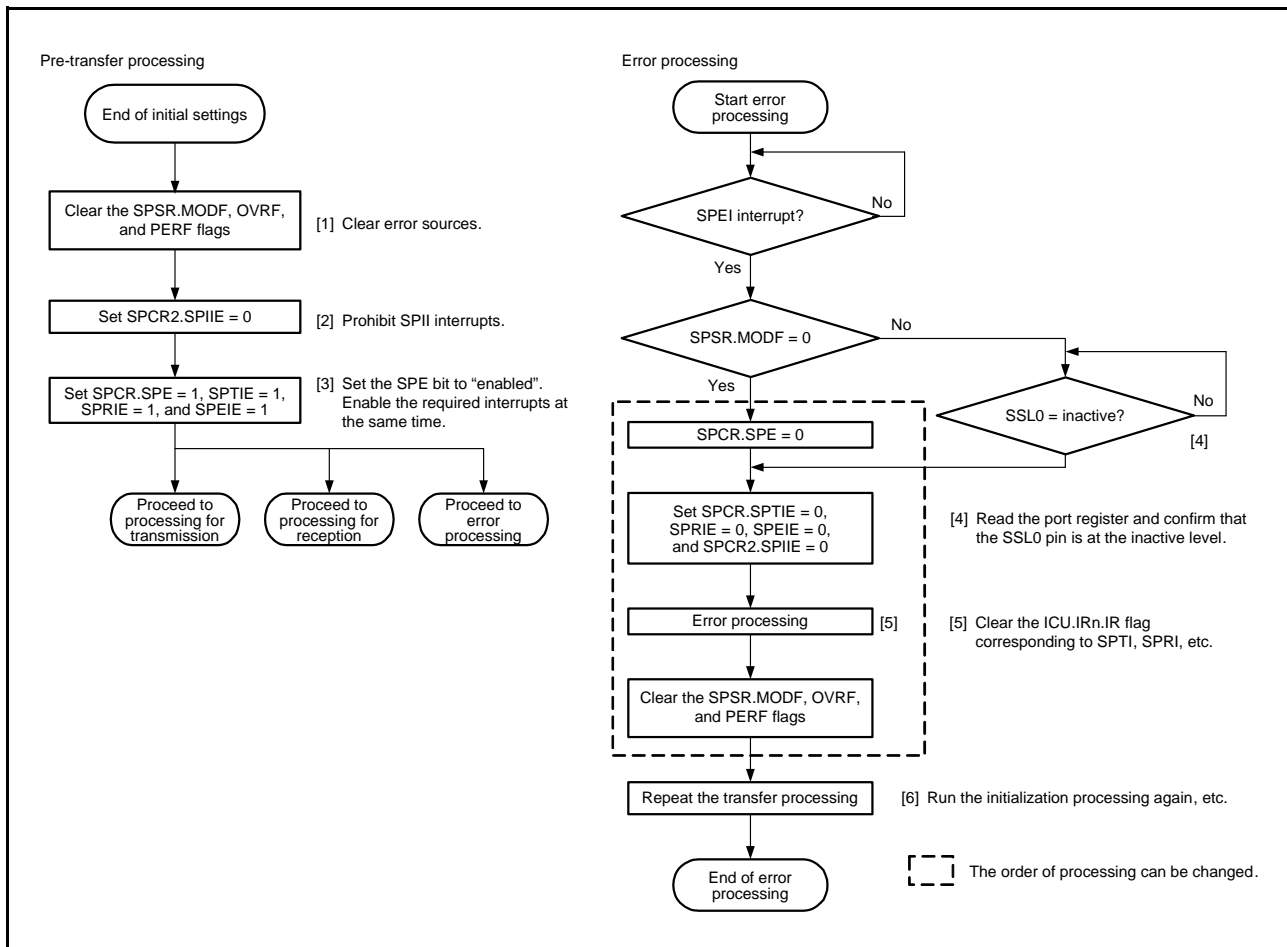


Figure 31.37 Flowchart for Master Mode (Error Processing)

31.3.10.2 Slave Mode Operation

(1) Starting a Serial Transfer

If the SPCMD0.CPHA bit is 0, when detecting an SSLA0 input signal assertion, the RSPI needs to start driving valid data to the MISOA output signal. For this reason, when the CPHA bit is 0, the assertion of the SSLA0 input signal triggers the start of a serial transfer.

If the CPHA bit is 1, when detecting the first RSPCKA edge in an SSLA0 signal asserted condition, the RSPI needs to start driving valid data to the MISOA output signal. For this reason, when the CPHA bit is 1, the first RSPCKA edge in an SSLA0 signal asserted condition triggers the start of a serial transfer.

When detecting the start of a serial transfer in a condition in which the shift register is empty, the RSPI changes the status of the shift register to “full”, so that data cannot be copied from the transmit buffer to the shift register when serial transfer is in progress. If the shift register was full before the serial transfer started, the RSPI leaves the status of the shift register unchanged, in the full state.

Irrespective of CPHA bit setting, the timing at which the RSPI starts driving of the MISOA output signal is the SSLA0 signal assertion timing. The data which is output by the RSPI is either valid or invalid, depending on the CPHA bit setting.

For details on the RSPI transfer format, see section 31.3.5, Transfer Format. The polarity of the SSLA0 input signal depends on the setting of the SSL0P bit in the RSPI slave select polarity register (SSLP).

(2) Terminating a Serial Transfer

Irrespective of the SPCMD0.CPHA bit, the RSPI terminates the serial transfer after detecting an RSPCKA edge corresponding to the final sampling timing. When free space is available in the receive buffer, upon termination of serial transfer the RSPI copies received data from the shift register to the receive buffer of the RSPI data register (SPDR).

Upon termination of a serial transfer the RSPI changes the status of the shift register to “empty”, regardless of the receive buffer state. A mode fault error occurs if the RSPI detects an SSLA0 input signal negation from the beginning of serial transfer to the end of serial transfer (see section 31.3.8, Error Detection).

The final sampling timing changes depending on the bit length of transfer data. In slave mode, the RSPI data length depends on the SPCMD0.SPB[3:0] bit setting. The polarity of the SSLA0 input signal depends on the SSLP.SSL0P bit setting.

For details on the RSPI transfer format, see section 31.3.5, Transfer Format.

(3) Notes on Single-Slave Operations

If the SPCMD0.CPHA bit is 0, the RSPI starts serial transfers when it detects the assertion edge for an SSLA0 input signal. In the type of configuration shown in Figure 31.7 as an example, if the RSPI is used in single-slave mode, the SSLA0 signal is always fixed at the active state. Therefore, when the CPHA bit is set to 0, the RSPI cannot correctly start a serial transfer. To correctly execute transmit/receive operations by the RSPI in slave mode in a configuration in which the SSLA0 input signal is fixed at the active state, the CPHA bit should be set to 1. If there is a need for setting the CPHA bit to 0, the SSLA0 input signal should not be fixed.

(4) Burst Transfer

If the SPCMD0.CPHA bit is 1, continuous serial transfer (burst transfer) can be executed while retaining the assertion state for the SSLA0 input signal. If the CPHA bit is 1, the period from the first RSPCKA edge to the sampling timing for the reception of the final bit in an SSLA0 signal active state corresponds to a serial transfer period. Even when the SSLA0 input signal remains at the active level, the RSPI can accommodate burst transfers because it can detect the start of an access.

If the CPHA bit is 0, the second and subsequent serial transfers during burst transfer cannot be executed correctly.

(5) Initialization Flowchart

Figure 31.38 is a flowchart illustrating an example of initialization in SPI operation when the RSPI is used in slave mode. For a description of how to set up the interrupt controller, DMAC, and I/O ports, see the descriptions given in the individual blocks.

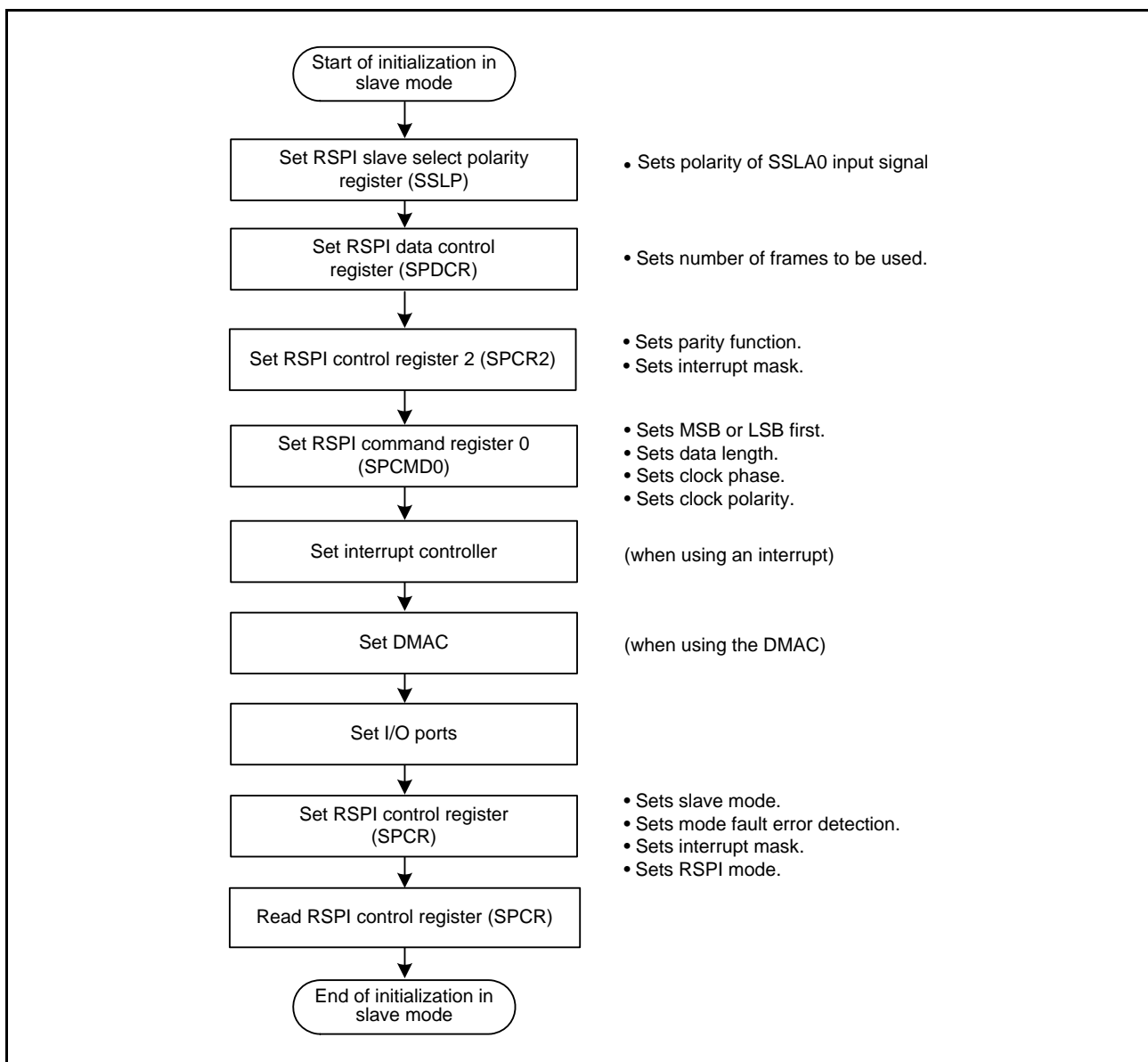


Figure 31.38 Example of Initialization Flowchart in Slave Mode (SPI Operation)

(6) Software Processing Flow

Figure 31.39 to Figure 31.41 show examples of the flow of software processing.

(a) Transmit Processing Flow

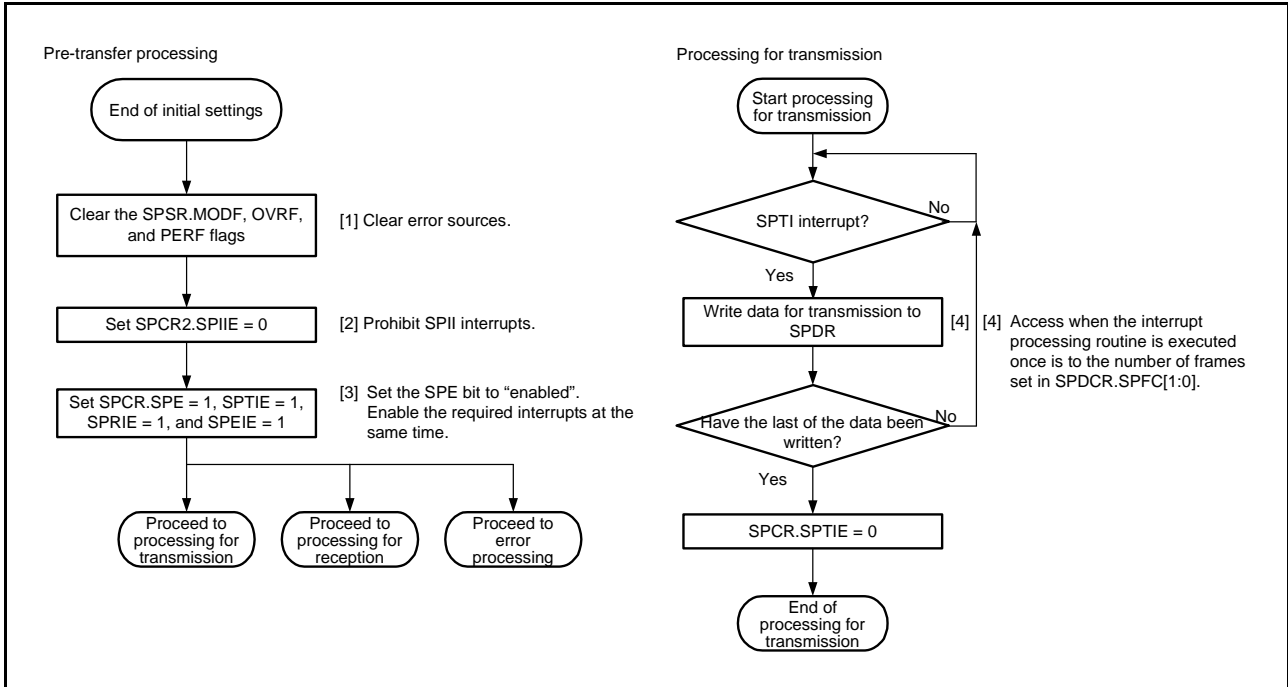


Figure 31.39 Flowchart in Slave Mode (Transmission)

(b) Receive Processing Flow

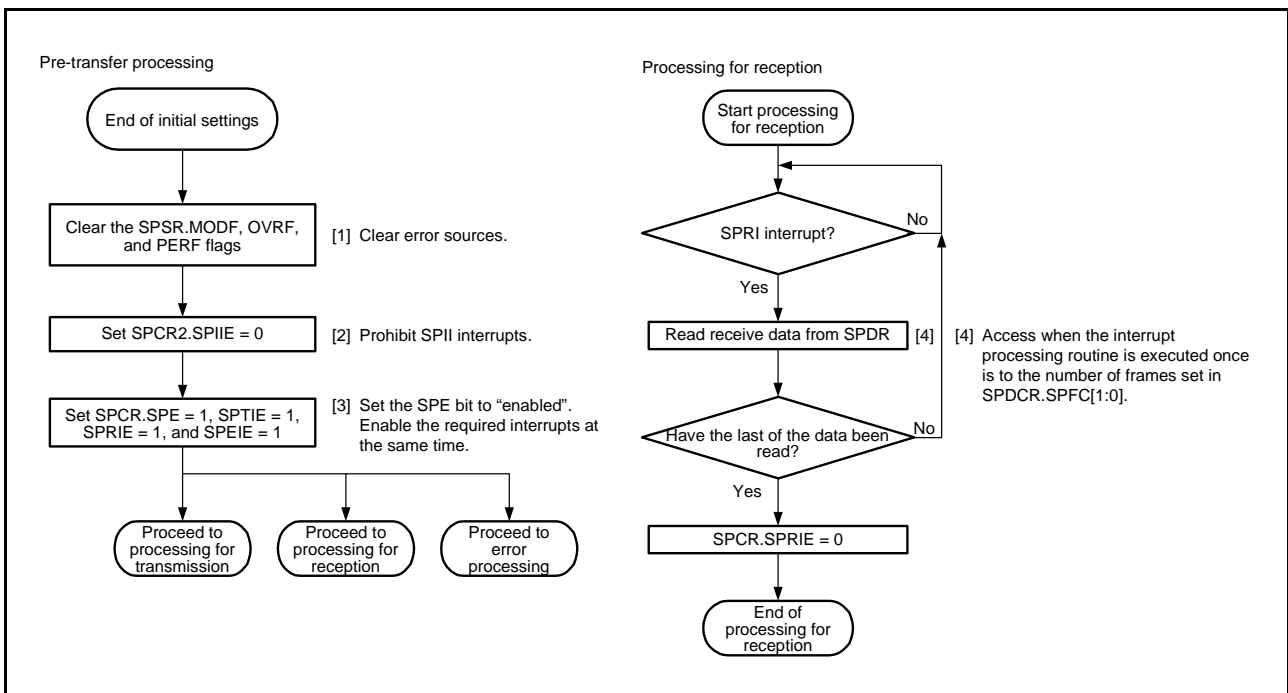


Figure 31.40 Flowchart in Slave Mode (Reception)

(c) Flow of error processing

In slave operation, even when a mode-fault error is generated, the SPSR.MODF flag can be cleared without de-asserting the pin.

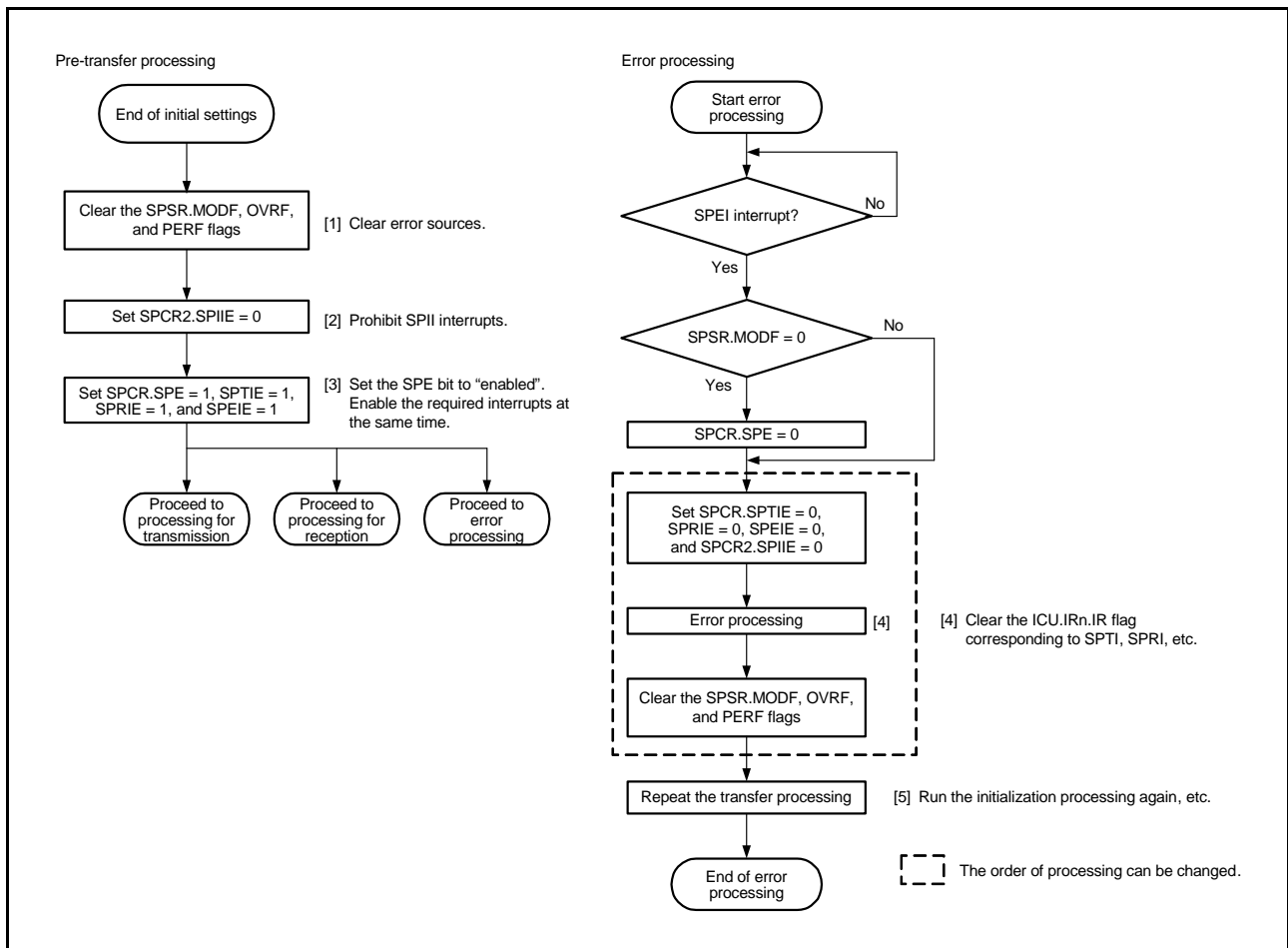


Figure 31.41 Flowchart for Slave Mode (Error Processing)

31.3.11 Clock Synchronous Operation

Setting the SPMS bit in the RSPI control register (SPCR) to 1 selects clock synchronous operation of the RSPI. In clock synchronous operation, the SSLAi pin is not used, and the three pins of RSPCKA, MOSIA, and MISOA handle communications. The SSLAi pin is available as I/O port pins.

Although clock synchronous operation does not require use of the SSLAi pin, operation of the module is the same as in SPI operation. That is, in both master and slave operations, communications can be performed with the same flow as in SPI operation. However, mode fault errors are not detected because the SSLAi pin is not used.

Furthermore, operation is not guaranteed if clock synchronous operation proceeds when the SPCMDm.CPHA bit is set to 0 in slave mode (SPCR.MSTR = 0).

31.3.12 Master Mode Operation

(1) Starting a Serial Transfer

The RSPI updates the data in the transmit buffer (SPTX) of SPDR when data is written to the RSPI data register (SPDR) with the transmit buffer being empty (data for the next transfer is not set). When the shift register is empty after the number of frames set in the SPDCR.SPFC[1:0] bits are written to the SPDR, the RSPI copies data from the transmission buffer to the shift register and starts serial transmission. Upon copying transmit data to the shift register, the RSPI changes the status of the shift register to “full”, and upon termination of serial transfer, it changes the status of the shift register to “empty”. The status of the shift register cannot be referenced.

For details on the RSPI transfer format, see section 31.3.5, Transfer Format.

However, transfer in clock-synchronous operation is conducted without the SSLA0 output signal.

(2) Terminating a Serial Transfer

The RSPI terminates the serial transfer after transmitting an RSPCKA edge corresponding to the sampling timing. If free space is available in the receive buffer, upon termination of serial transfer, the RSPI copies data from the shift register to the receive buffer of the RSPI data register (SPDR).

It should be noted that the final sampling timing varies depending on the bit length of transfer data. In master mode, the RSPI data length depends on the SPCMDm.SPB[3:0] bit setting.

For details on the RSPI transfer format, see section 31.3.5, Transfer Format.

However, transfer in clock-synchronous operation is conducted without the SSLA0 output signal.

(3) Sequence Control

The transfer format employed in master mode is determined by SPSCR, SPCMDm, SPBR, SPCKD, SSLND, and SPND registers. Although the SSLAi signals are not output in clock synchronous operation, these settings are valid.

SPSCR is a register used to determine the sequence configuration for serial transfers that are executed by the RSPI in master mode. The following items are set in SPCMDm register: SSLAi output signal value, MSB/LSB first, data length, some of the bit rate settings, RSPCKA polarity/phase, whether SPCKD is to be referenced, whether SSLND is to be referenced, and whether SPND is to be referenced. SPBR holds some of the bit rate settings; SPCKD, an RSPI clock delay value; SSLND, an SSL negation delay; and SPND, a next-access delay value.

According to the sequence length that is assigned to SPSCR, the RSPI makes up a sequence comprised of a part or all of SPCMDm register. The RSPI contains a pointer to the SPCMDm register that makes up the sequence. The value of this pointer can be checked by reading the SPSSR.SPCP[2:0] bits. When the SPE bit in the RSPI control register (SPCR) is set to 1 and the RSPI function is enabled, the RSPI loads the pointer to the commands in SPCMD0 register, and incorporates the SPCMD0 register setting into the transfer format at the beginning of serial transfer. The RSPI increments the pointer each time the next-access delay period for a data transfer ends. Upon completion of the serial transfer that corresponds to the final command comprising the sequence, the RSPI sets the pointer in SPCMD0 register, and in this manner the sequence is executed repeatedly.

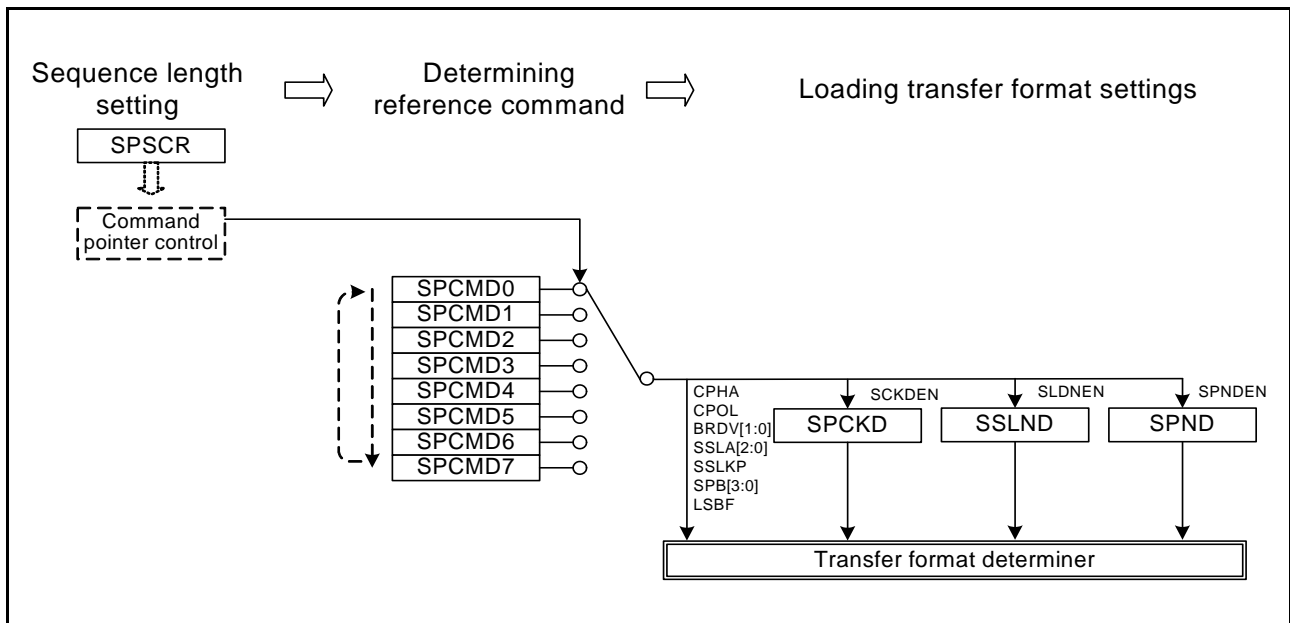


Figure 31.42 Procedure for Determining the Form of Serial Transmission in Master Mode

In this section, a frame is the combination of the data (SPDR) and the settings (SPCMDm).

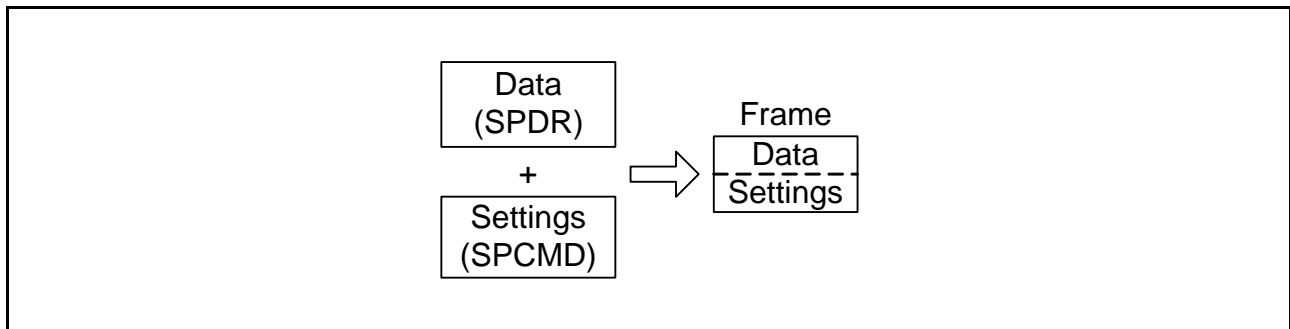


Figure 31.43 Concept of a Frame

Figure 31.44 shows the relationship between the command and the transmit and receive buffers in the sequence of operations specified by the settings in Table 31.4.

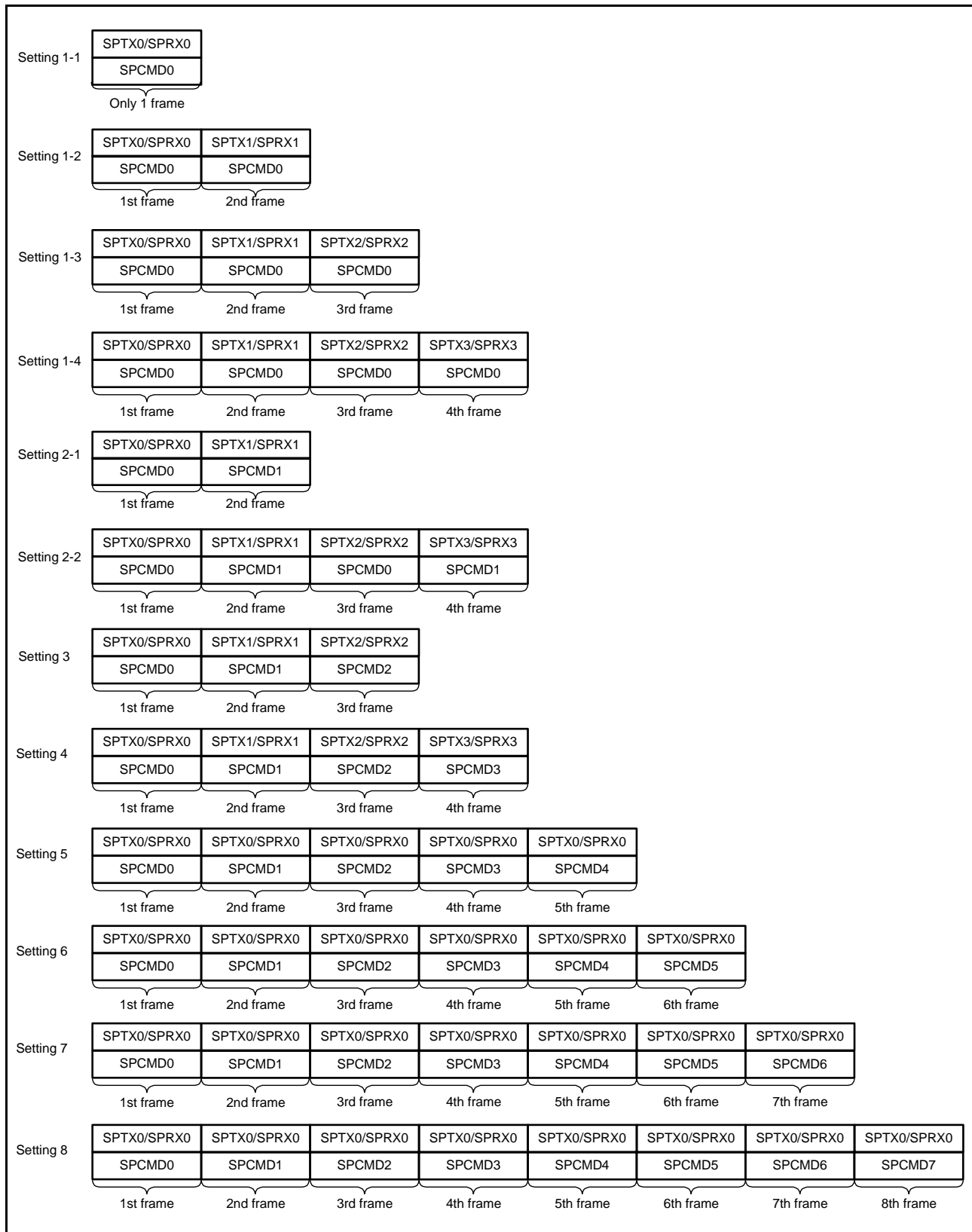


Figure 31.44 Correspondence between the RSPI Command Register and Transmit/Receive Buffers in Sequence Operations

(4) Initialization Flowchart

Figure 31.45 is a flowchart illustrating an example of initialization in clock synchronous operation when the RSPi is used in master mode. For a description of how to set up the interrupt controller, DMAC, and I/O ports, see the descriptions given in the individual blocks.

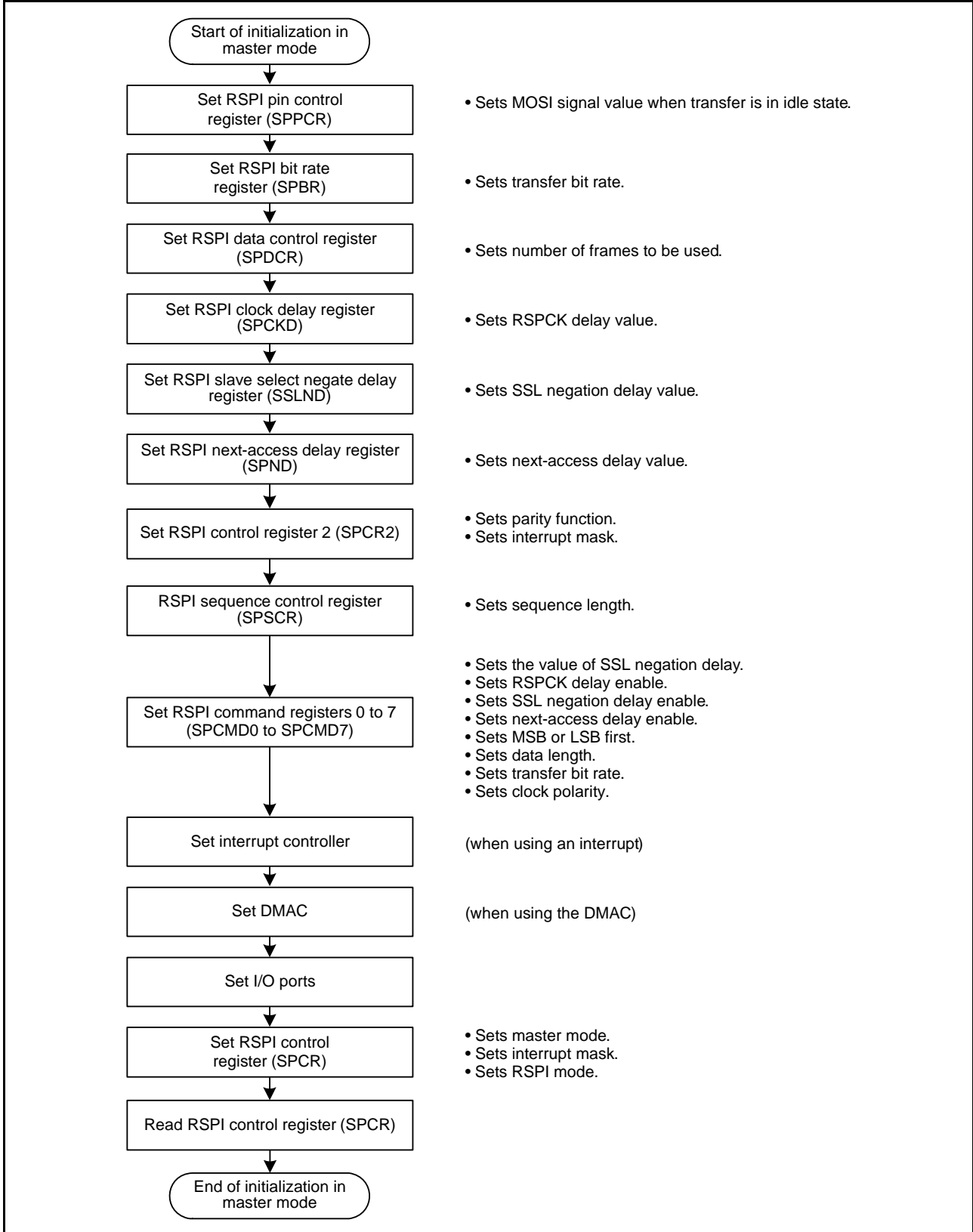


Figure 31.45 Example of Initialization Flowchart in Master Mode (Clock Synchronous Operation)

(5) Flow of Software Processing

Software processing during clock-synchronous master operation is the same as that for SPI master operation. For details, see section 31.3.10.1, (9) Software Processing Flow. Note that mode-fault errors will not occur.

31.3.13 Slave Mode Operation

(1) Starting a Serial Transfer

When the SPCR.SPMS bit is 1, the first RSPCKA edge triggers the start of a serial transfer in the RSPI.

When detecting the start of a serial transfer in a condition in which the shift register is empty, the RSPI changes the status of the shift register to “full”, so that data cannot be copied from the transmit buffer to the shift register when serial transfer is in progress. If the shift register was full before the serial transfer started, the RSPI keeps the status of the shift register unchanged, in the full state.

When the SPMS bit is 1, the RSPI always drives the MISOA output signal.

For details on the RSPI transfer format, see section 31.3.5, Transfer Format.

It should be noted that the SSL0 input signal is not used in clock synchronous operation.

(2) Terminating a Serial Transfer

The RSPI terminates the serial transfer after detecting an RSPCKA edge corresponding to the final sampling timing.

When free space is available in the receive buffer, upon termination of serial transfer the RSPI copies received data from the shift register to the receive buffer of the RSPI data register (SPDR). Upon termination of a serial transfer the RSPI changes the status of the shift register to “empty”. The final sampling timing changes depending on the bit length of transfer data. In slave mode, the RSPI data length depends on the SPCMD0.SPB[3:0] bit setting.

For details on the RSPI transfer format, see section 31.3.5, Transfer Format.

(3) Initialization Flowchart

Figure 31.46 is a flowchart illustrating an example of initialization in clock synchronous operation when the RSPI is used in slave mode. For a description of how to set up the interrupt controller, DMAC, and I/O ports, see the descriptions given in the individual blocks.

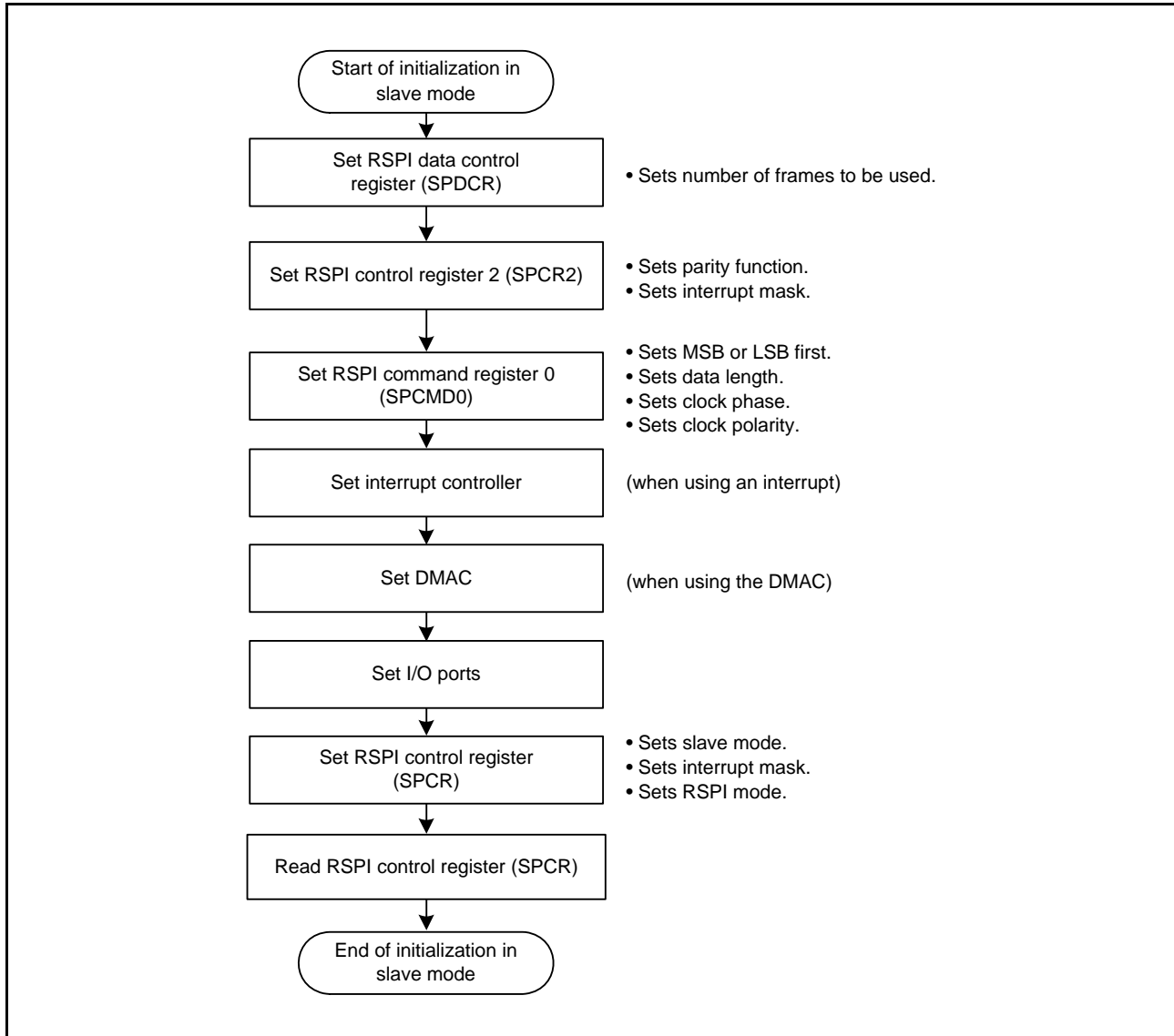


Figure 31.46 Example of Initialization Flowchart in Slave Mode (Clock Synchronous Operation)

(4) Flow of Software Processing

Software processing during clock-synchronous slave operation is the same as that for SPI slave operation. For details, see section 31.3.10.2, (6) Software Processing Flow. Note that mode-fault errors will not occur.

31.3.14 Loopback Mode

When 1 is written to the SPPCR.SPLP2 bit or SPPCR.SPLP bit, the RSPI shuts off the path between the MISOA pin and the shift register if the SPCR.MSTR bit is 1, and between the MOSIA pin and the shift register if the SPCR.MSTR bit is 0, and connects the input path and output path of the shift register. The RSPI does not shut off the path between the MOSIA pin and the shift register if the SPCR.MSTR bit is 1, and between the MISOA pin and the shift register if the SPCR.MSTR bit is 0. This is called loopback mode. When a serial transfer is executed in loopback mode, the transmit data for the RSPI or the reversed transmit data becomes the received data for the RSPI.

Table 31.12 lists the relationship among the SPLP2 and SPLP bits and the received data. Figure 31.47 shows the configuration of the shift register I/O paths for the case where the RSPI in master mode is set in loopback mode (SPPCR.SPLP2 = 0, SPPCR.SPLP = 1).

Table 31.12 SPLP2 and SPLP Bit Settings and Received Data

SPPCR.SPLP2 Bit	SPPCR.SPLP Bit	Received Data
0	0	Input data from the MOSIA pin or MISOA pin
0	1	Reversed transmit data
1	0	Transmit data
1	1	Transmit data

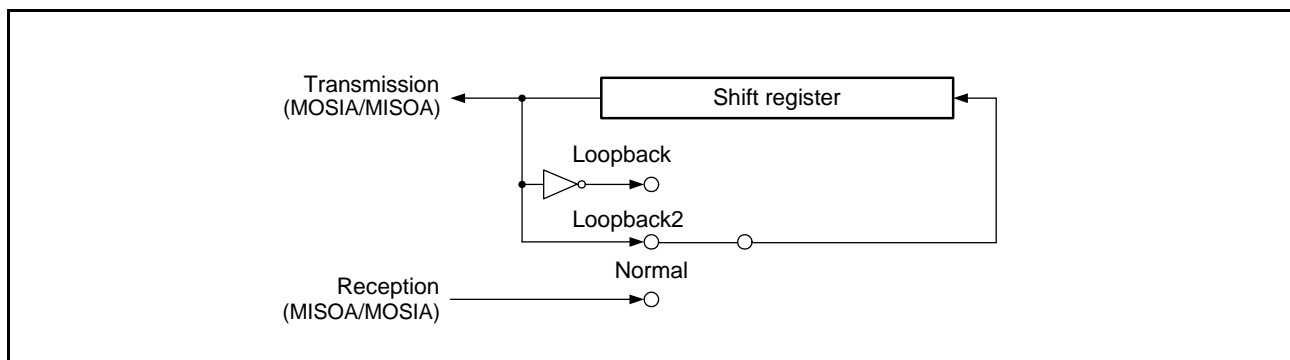


Figure 31.47 Configuration of Shift Register I/O Paths in Loopback Mode (Master Mode)

31.3.15 Self-Diagnosis of Parity Bit Function

The parity circuit consists of a parity bit adding unit used for transmit data and an error detecting unit used for received data. In order to detect defects in the parity bit adding unit and error detecting unit of the parity circuit, self-diagnosis is executed for the parity circuit following the flowchart shown in Figure 31.48.

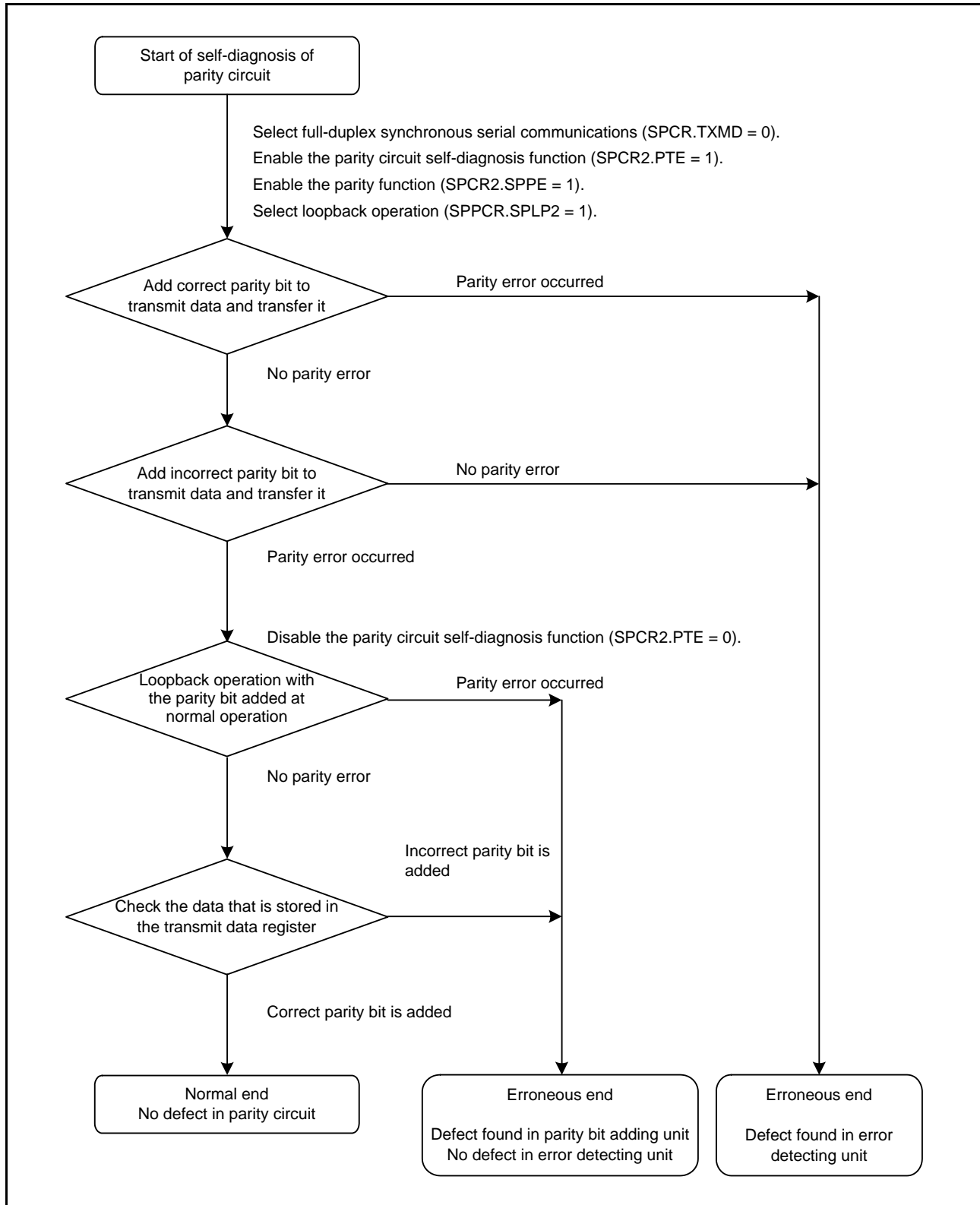


Figure 31.48 Flowchart for Self-Diagnosis of Parity Circuit

31.3.16 Interrupt Sources

The RSPI has interrupt sources of receive buffer full, transmit buffer empty, mode fault, overrun, parity error, and RSPI idle. In addition, the DTC or DMAC can be activated by the receive buffer full or transmit buffer empty interrupt to perform data transfer.

Since the vector address for SPEI is allocated to interrupt requests due to mode-fault, overrun, and parity errors, the actual interrupt source must be determined from the flags. Interrupt sources for the RSPI are listed in Table 31.13. An interrupt is generated on satisfaction of an interrupt condition in Table 31.13. Clear the receive buffer full and transmit buffer empty sources through data transfer.

When using the DTC or DMAC to perform data transmission/reception, the DTC or DMAC must be set up first to be in a status in which transfer is enabled before making the RSPI settings. For the method for setting the DTC or DMAC, refer to section 16, DMA Controller (DMACA), or section 17, Data Transfer Controller (DTCa).

If the conditions for generating a transmit buffer empty or receive buffer full interrupt are generated while the ICU.IRn.IR flag is 1, the interrupt is not output as a request for ICU but is retained internally (the capacity for retention is one request per source). A retained interrupt request is output when the ICU.IRn.IR flag becomes 0. A retained interrupt request is automatically discarded once it is output as an actual interrupt request. The interrupt enable bit (the SPCR.SPTIE or SPCR.SPRIE bit) for an internally retained interrupt request can also be cleared to 0.

Table 31.13 Interrupt Sources of RSPI

Interrupt Source	Symbol	Interrupt Condition	DMAC/DTC Activation
Receive buffer full	SPRI	The receive buffer becomes full while the SPCR.SPRIE bit is 1.	Possible
Transmit buffer empty	SPTI	The transmit buffer becomes empty while the SPCR.SPTIE bit is 1.	Possible
RSPI errors (mode fault, overrun and parity error)	SPEI	The SPSR.MODF, OVRF, or PERF flag is set to 1 while the SPCR.SPEIE bit is 1.	Impossible
RSPI idle	SPII	The SPSR.IDLNF flag is set to 0 while the SPCR2.SPIIE bit is 1.	Impossible

31.4 Event Link Output

The event link controller (ELC) is capable of producing the following event-output signals. The event link output signal is output regardless of the interrupt enable bit setting.

31.4.1 Receive Buffer Full Event Output

This event signal is output when received data have been transferred from the shift register to the SPDR on completion of serial transfer.

31.4.2 Transmit Buffer Empty Event Output

This event signal is output when data for transmission have been transferred from the transmission buffer to the shift register and when the value of the SPE bit has changed from 0 to 1.

31.4.3 Mode Fault, Overrun, or Parity Error Event Output

(1) Mode Fault

Table 31.14 lists the occurrence conditions of a mode fault event.

Table 31.14 Occurrence Conditions of Mode Fault Event

	SPCR.MODFEN Bit	SSLA0 Pin	Remarks
Master (MSTR bit = 1)	1	Active	Under this condition (when the MSTR bit is 1 and the SPCR.MODFEN bit is 1), mode fault error, overrun error, and parity error event output cannot be used. Do not set the ELSRn register to 52h.
Slave (MSTR bit = 0)	1	Not active	Event is output only when the pin is deactivated during transmission.

In multi master mode, the event signal is output in response to a mode fault when the SSL pin input level switches to the active level while the value of the SPCR.MSTR bit is 1 (master mode) and the value of the SPCR.MODFEN bit is 1 (enabling the detection of mode-fault errors), in which case the RSPI detects a mode-fault error.

During operation in slave mode, the conditions for this event signal being output in response to a mode fault are negation of the signal on the SSL pin before the number of cycles of RSPCK required for data reception are completed while the value of the SPCR.MSTR bit is 0 (slave mode) and the value of the SPCR.MODFEN bit is 1 (enabling the detection of mode-fault errors), in which case the RSPI detects a mode-fault error.

(2) Overrun

The condition for this event signal being output in response to an overrun is completion of serial transfer while the reception buffer contains data that have not been read and the value of the SPCR.TXMD bit is 0, in which case the OVRF flag is set to 1.

(3) Parity Error

The condition for this event signal being output in response to a parity error is detection of a parity error on completion of serial transfer while the value of the TXMD bit in SPCR is 0 and the value of the SPPE bit in SPCR2 is 1.

31.4.4 RSPI Idle Event Output

(1) In master mode

In master mode, an event is output when the condition for setting the IDLNF flag (RSPI idle flag) to 0 is satisfied.

(2) In slave mode

In slave mode, an event is output when the SPE bit in the SPCR is set to 0 (RSPI is initialized).

31.4.5 Transmit End Event Output

During both SPI operation and clock synchronous operation in master mode, an event is output when the IDLNF bit changes from 1 to 0.

Table 31.15 Conditions for Generation of a Transmission-Completed Event (Slave)

	Transmit Buffer State	Shift Register State	Others
SPI operation (SPMS = 0)	Empty	Empty	Negation of SSL0 input
Clock synchronous operation (SPMS = 1)	Empty	Empty	Edge detection of the last RSPCK

Whether the operation is in master mode or slave mode, an event is not output if 0 is written to the SPCR.SPE bit in transmission or the SPCR.SPE bit is cleared by the mode fault error.

31.5 Usage Note

31.5.1 Setting Module Stop Function

Module stop control register B (MSTPCRB) can be used to enable or disable operation of the RSPI. The RSPI is stopped after a reset. The registers become accessible on release from the module-stop state. For details, refer to section 11, Low Power Consumption.

31.5.2 Cautionary Note on the Low Power Consumption Functions

When a low power consumption function is to be used to lower power consumption by the RSPI, use the low power consumption function after the SPCR.SPE bit is set to 0 and transfer ends.

31.5.3 Points to Note on Starting Transfer

If the ICU.IRn.IR flag is 1 at the time transfer is to be started, an interrupt request is internally retained after transfer starts, and this can lead to unanticipated behavior of the ICU.IRn.IR flag.

When the ICU.IRn.IR flag is 1 at the time transfer is to start, follow the procedure below to clear interrupt requests before enabling operations (by setting the SPCR.SPE bit to 1).

1. Confirm that transfer has stopped (i.e. that the SPCR.SPE bit is 0).
2. Clear the relevant interrupt enable bit (the SPCR.SPTIE or SPCR.SPRIE bit) to 0.
3. Read the relevant interrupt enable bit (the SPCR.SPTIE or SPCR.SPRIE bit) and confirm that its value is 0.
4. Clear the ICU.IRn.IR flag to 0.

32. CRC Calculator (CRC)

The CRC (Cyclic Redundancy Check) calculator generates CRC codes of data blocks.

32.1 Overview

Table 32.1 lists the specifications of the CRC calculator, and Figure 32.1 shows a block diagram of the CRC calculator.

Table 32.1 Specifications of CRC

Item	Description
Data for CRC calculation*1	CRC code generated for any desired data in 8n-bit units (where n is a whole number)
Data block size	8 bits
CRC processor unit	Operation executed on eight bits in parallel
CRC generating polynomial	One of three generating polynomials selectable <ul style="list-style-type: none"> • 8-bit CRC $X^8 + X^2 + X + 1$ • 16-bit CRC $X^{16} + X^{15} + X^2 + 1$ $X^{16} + X^{12} + X^5 + 1$
CRC calculation switching	CRC code generation for LSB-first or MSB-first communication selectable
Low power consumption function	Module stop state can be set

Note 1. The circuit does not have functionality to divide data for calculation into a data-block size. Write data in 8-bit units.

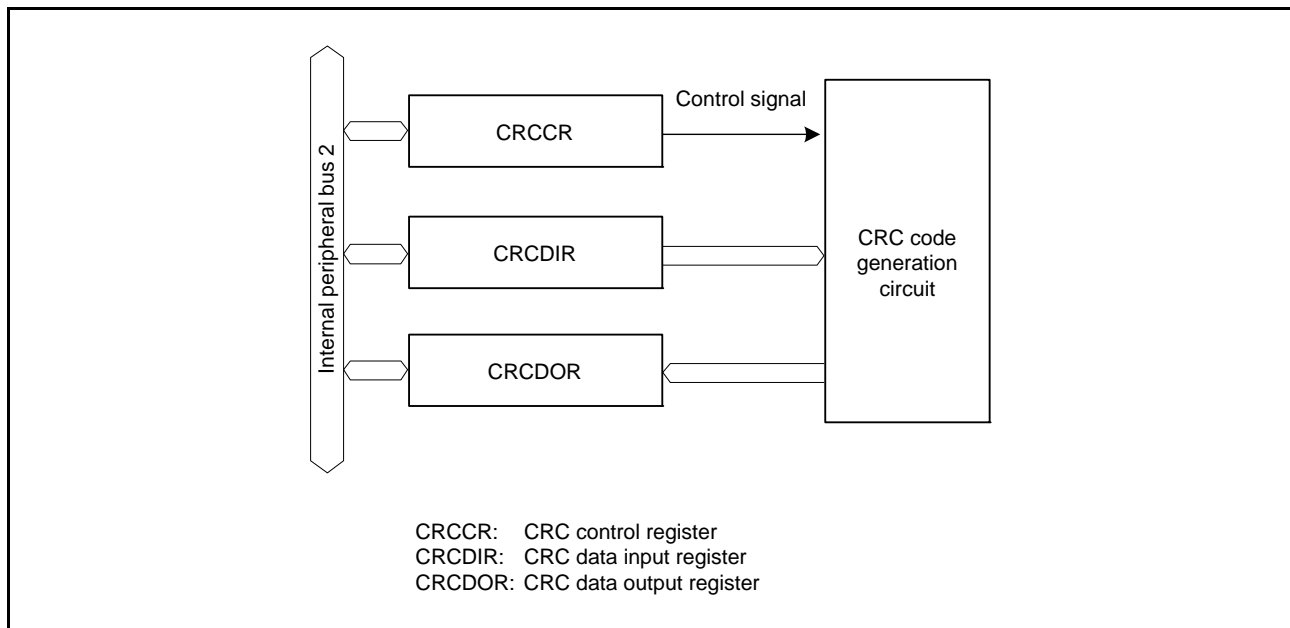
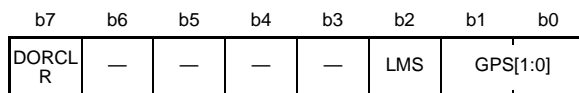


Figure 32.1 Block Diagram of CRC Calculator

32.2 Register Descriptions

32.2.1 CRC Control Register (CRCCR)

Address(es): 0008 8280h



Value after reset: 0 0 0 0 0 0 0 0

Bit	Symbol	Bit Name	Description	R/W
b1, b0	GPS[1:0]	CRC Generating Polynomial Switching	b1 b0 0 0: No calculation is executed. 0 1: $X^8 + X^2 + X + 1$ 1 0: $X^{16} + X^{15} + X^2 + 1$ 1 1: $X^{16} + X^{12} + X^5 + 1$	R/W
b2	LMS	CRC Calculation Switching	0: Performs CRC operation for LSB-first communication. The lower-order byte (bits 7 to 0) is the first to be transmitted when the contents of the CRCDOR (CRC code) are divided into bytes. 1: Performs CRC operation for MSB-first communication. The higher-order byte (bits 15 to 8) is first to be transmitted when the contents of the CRCDOR (CRC code) are divided into bytes.	R/W
b6 to b3	—	Reserved	These bits are read as 0. The write value should be 0.	R/W
b7	DORCLR	CRCDOR Register Clear	1: Clear the CRCDOR register*1 This bit is read as 0.	W

Note 1. Only 1 can be written.

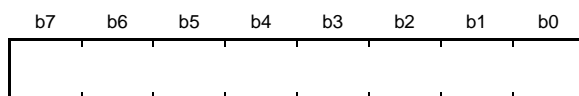
DORCLR Bit (CRCDOR Register Clear)

Write 1 to this bit so that the CRCDOR register is cleared to 0000h.

This bit is read as 0. Only 1 can be written.

32.2.2 CRC Data Input Register (CRCDIR)

Address(es): 0008 8281h

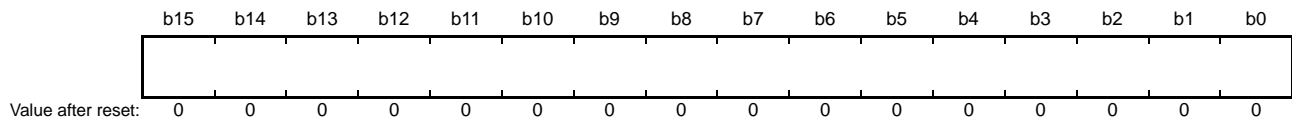


Value after reset: 0 0 0 0 0 0 0 0

CRCDIR is an 8-bit readable/writable register, to which the bytes to be CRC-operated are written.

32.2.3 CRC Data Output Register (CRCDOR)

Address(es): 0008 8282h



CRCDOR is a 16-bit readable/writable register that contains the result of CRC calculation.

In general, the value will be 0 if there is no CRC error when the calculated CRC code matches the CRC code that continues on, for verification, from the transferred data.

When an 8-bit CRC ($X^8 + X^2 + X + 1$ polynomial) is in use, the valid CRC code is obtained in the lower-order byte (b7 to b0). The higher-order byte (b15 to b8) is not updated.

32.3 Operation

The CRC calculator generates CRC codes for use in LSB-first or MSB-first transfer.

The following figures show examples in which the CRCCR.GPS[1:0] bits are set to 11b so the CRC code is calculated by using a 16-bit CRC (with the polynomial $X^{16} + X^{12} + X^5 + 1$), and the CRC code is calculated for the value "F0h".

When an 8-bit CRC (with the polynomial $X^8 + X^2 + X + 1$) is in use, the valid bits of the CRC code are obtained in the lower-order byte of CRCDOR.

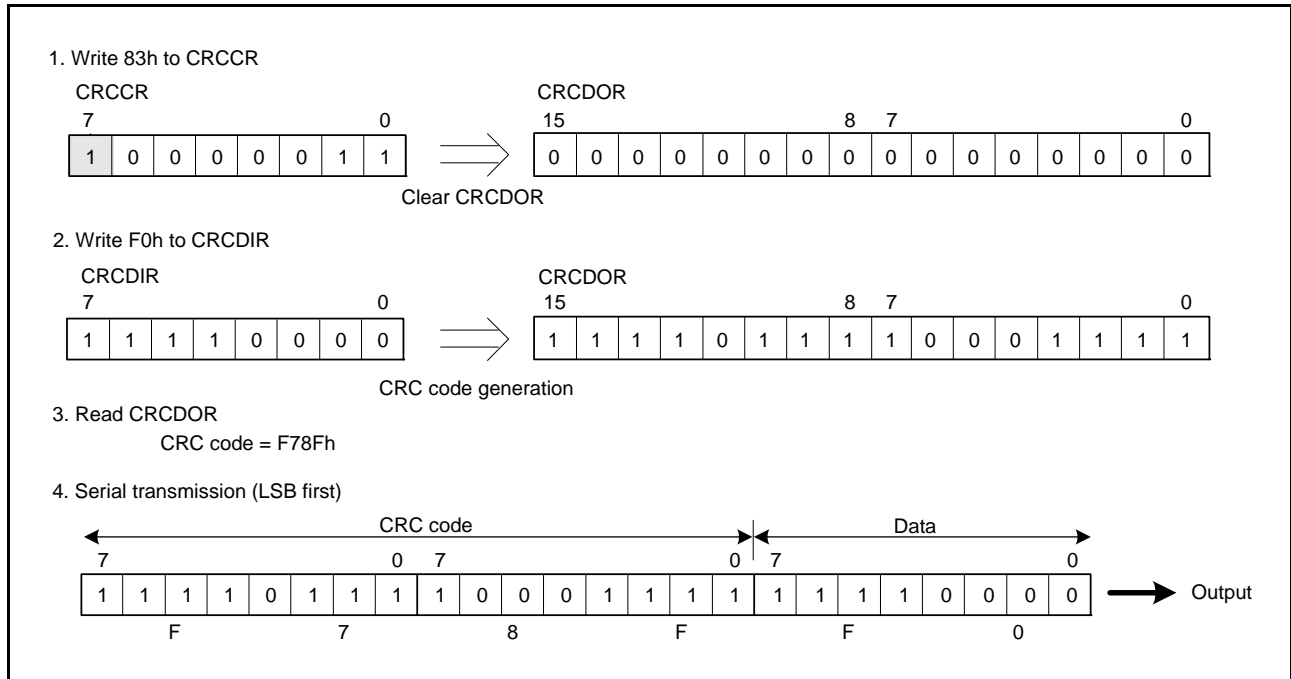


Figure 32.2 LSB-First Data Transmission

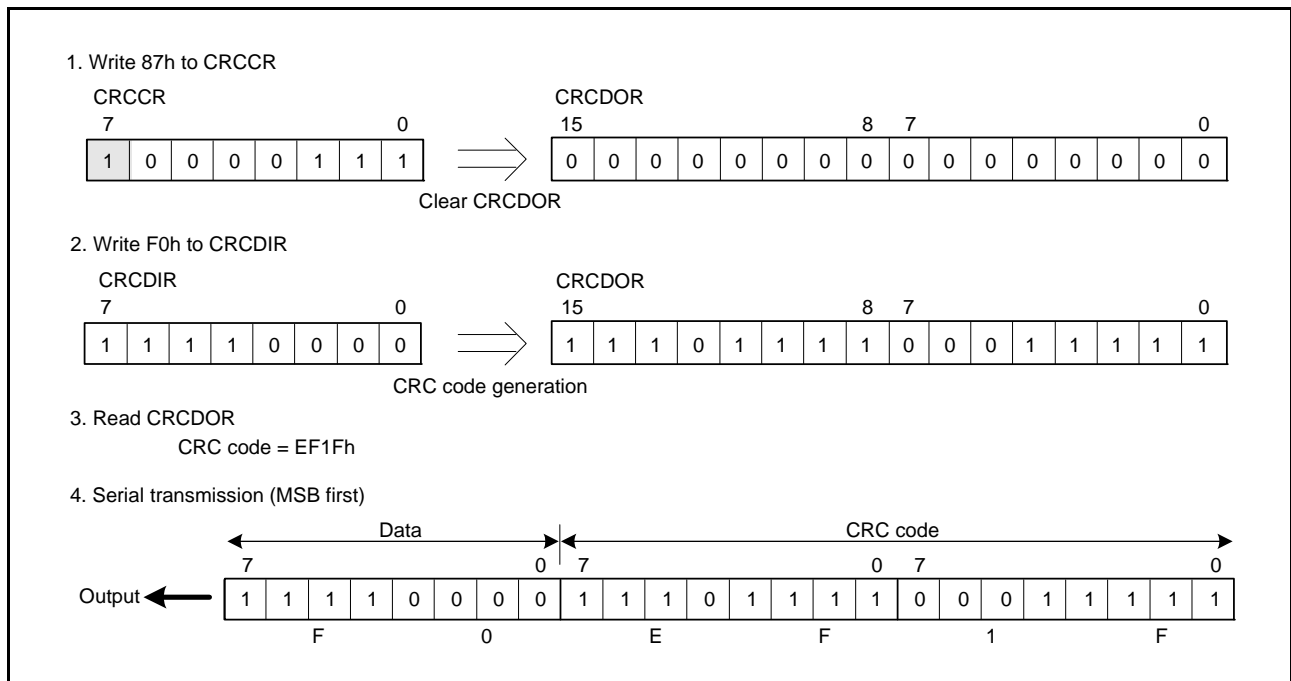


Figure 32.3 MSB-First Data Transmission

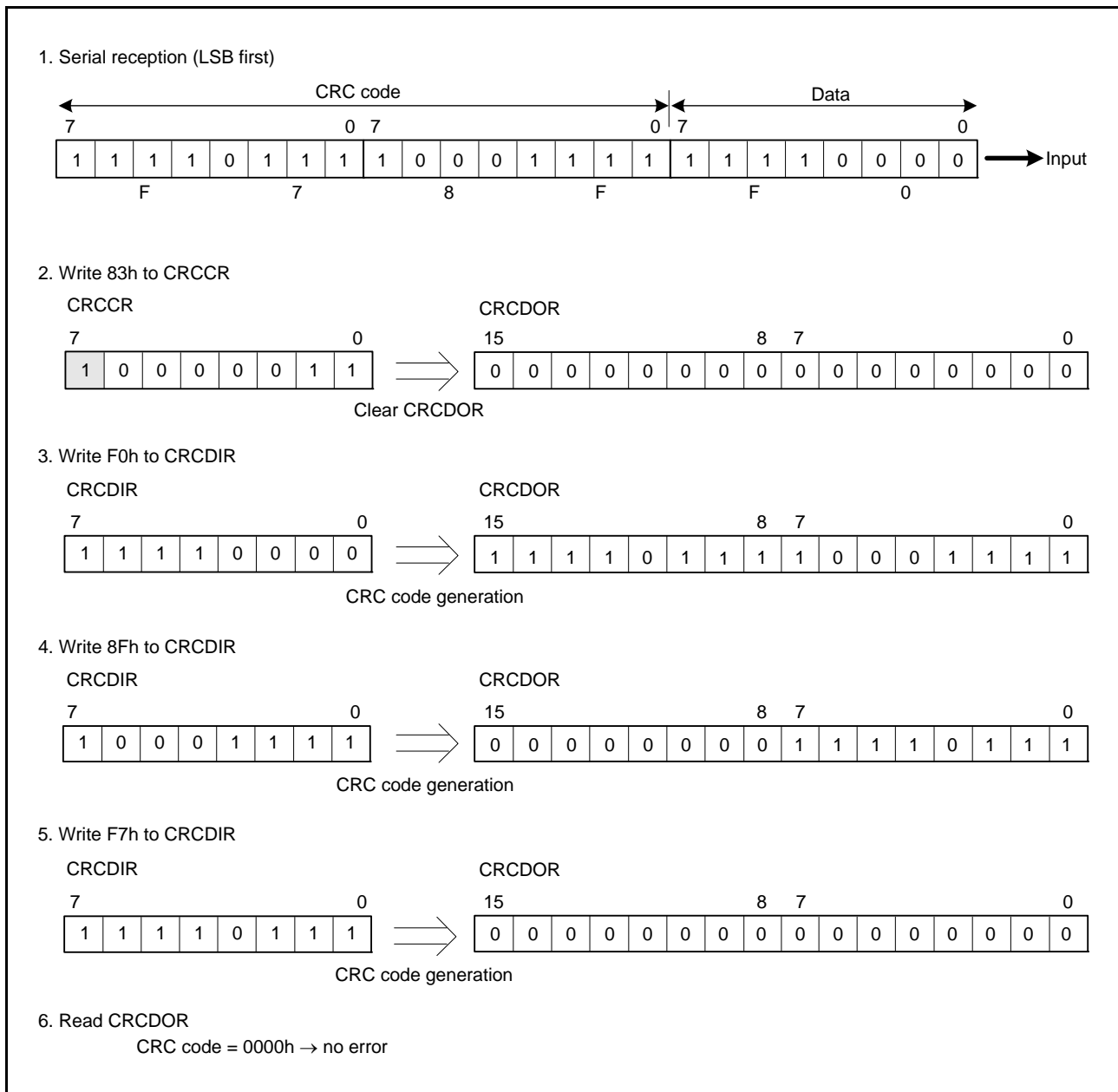


Figure 32.4 LSB-First Data Reception

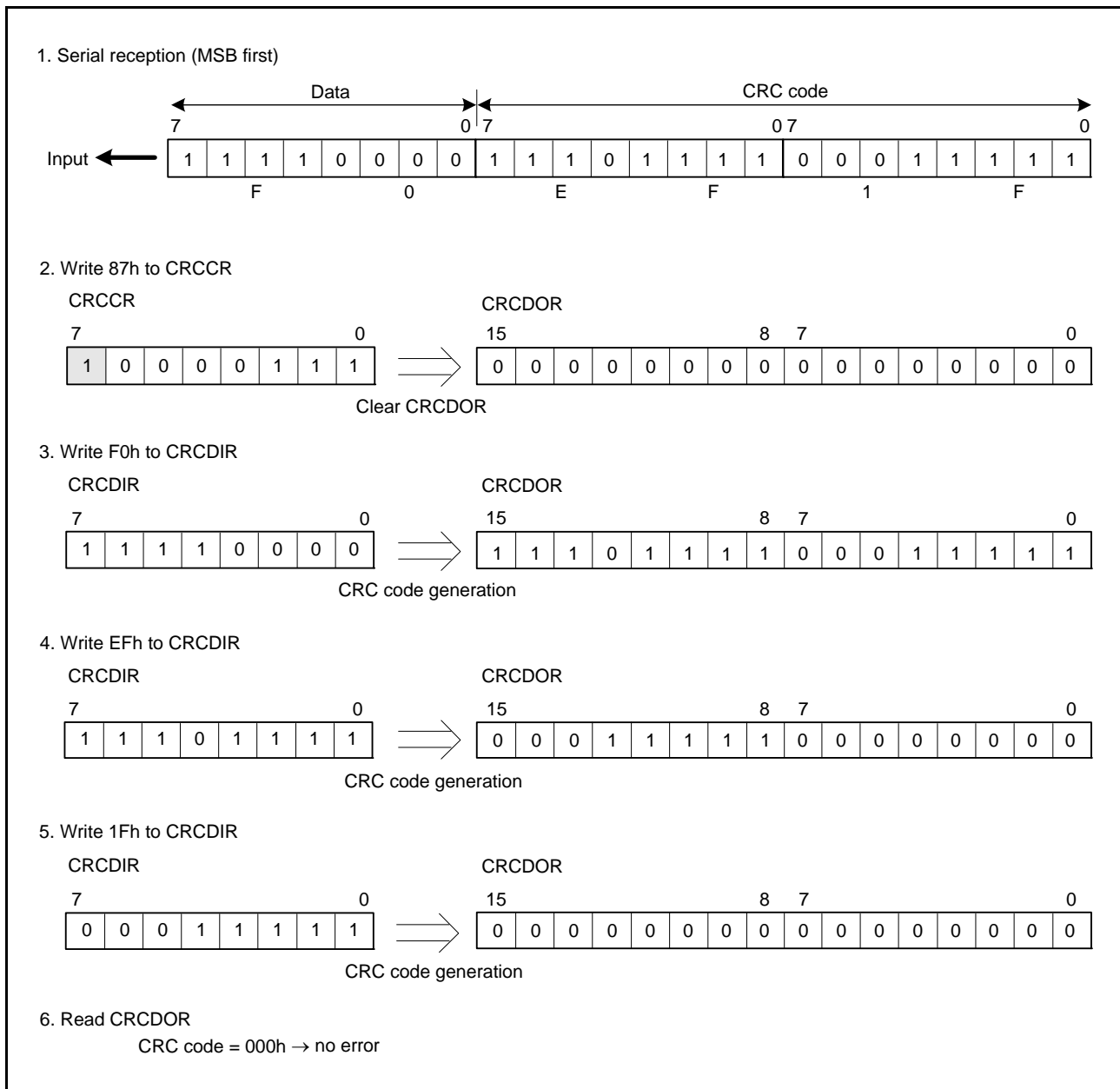


Figure 32.5 MSB-First Data Reception

32.4 Usage Notes

32.4.1 Module Stop Function Setting

Operation of the CRC calculator can be disabled or enabled using module stop control register B (MSTPCRB). The initial setting is for operation of the CRC calculator to be stopped. Register access is enabled by clearing the module stop state. For details, see section 11, Low Power Consumption.

32.5 Note on Transmission

Note that the sequence of transmission for the CRC code differs according to whether transmission is LSB-first or MSB-first.

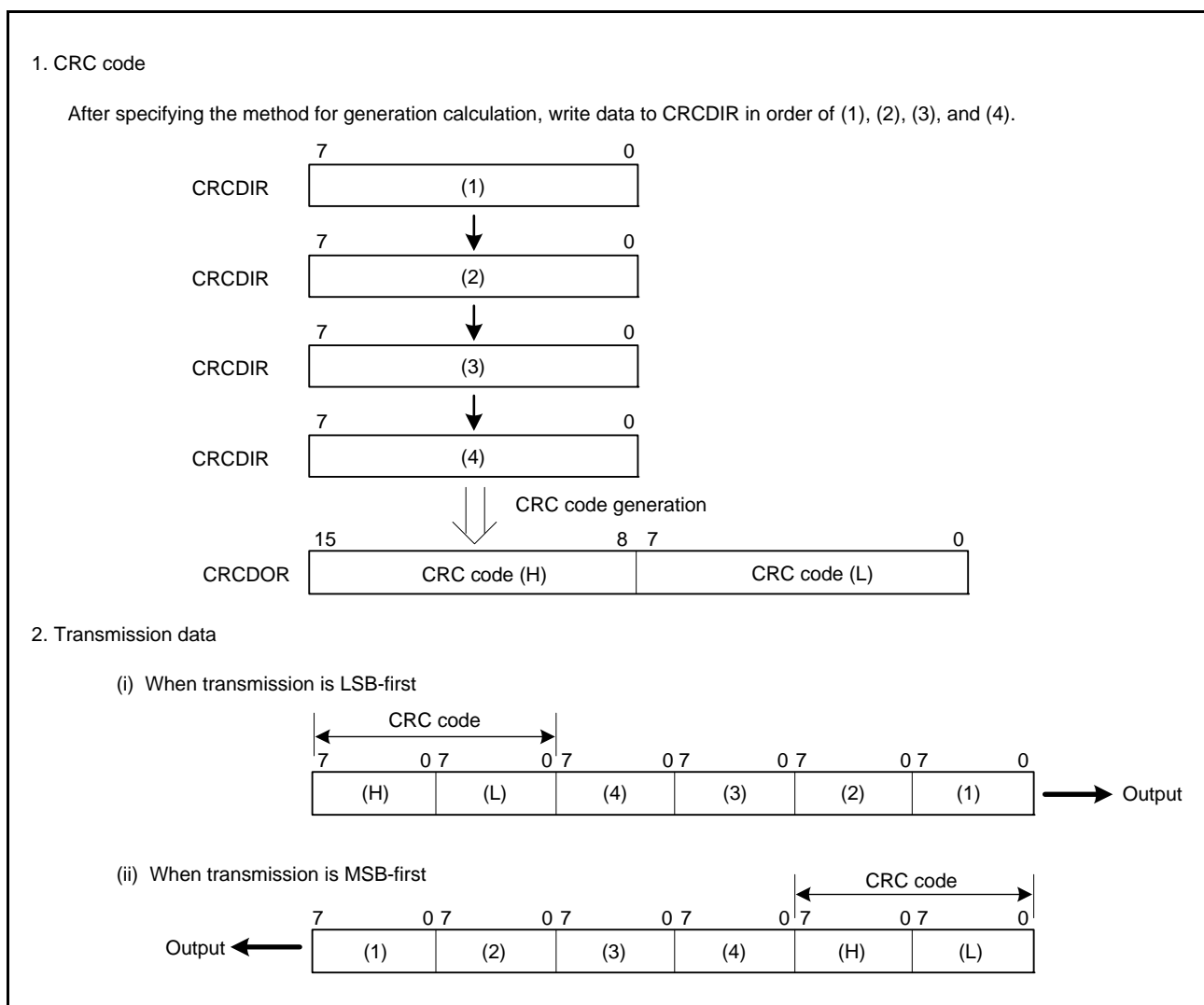


Figure 32.6 LSB-First and MSB-First Data Transmission

33. 12-Bit A/D Converter (S12ADb)

33.1 Overview

The RX210 Group includes a 12-bit successive approximation A/D converter. Up to 16 channel analog inputs, temperature sensor outputs, or internal reference voltages can be selected.

The 12-bit A/D converter converts a maximum of 16 selected channels of analog inputs, temperature sensor outputs, or internal reference voltages into a 12-bit digital value through successive approximation.

The A/D converter has three operating modes: single scan mode in which the analog inputs of up to 16 arbitrarily selected channels are converted for only once in ascending channel order; and continuous scan mode in which the analog inputs of up to 16 arbitrarily selected channels are continuously converted in ascending channel order; and group scan mode in which up to 16 channels of the analog inputs are arbitrarily divided into two groups (group A and group B) and converted in ascending channel order in each group.

In group scan mode, the scan start conditions of group A and group B can be independently selected, thus allowing A/D conversion of group A and group B to be started independently.

In double trigger mode, one arbitrarily selected analog input channel is converted in single scan mode or group scan mode (group A), and the resulting data of A/D conversion started by the first and second triggers are stored into separate registers (duplication of A/D conversion data).

Self-diagnosis is executed once at the beginning of each scan, and one of the three voltages internally generated in the 12-bit A/D converter is converted.

A/D conversion of the temperature sensor output or the internal reference voltage is accomplished independently.

Table 33.1 lists the specifications of the 12-bit A/D converter and Table 33.2 indicates the functions of the 12-bit A/D converter. Figure 33.1 shows a block diagram of the 12-bit A/D converter.

Table 33.1 Specifications of 12-Bit A/D Converter (1 / 2)

Item	Description
Number of units	One unit
Input channels	Up to 16 channels
Extended analog inputs	Temperature sensor output, internal reference voltage
A/D conversion method	Successive approximation method
Resolution	12 bits
Conversion time	1.0 μ s per channel (when A/D conversion clock ADCLK = 50 MHz)
A/D conversion clock	Peripheral module clock PCLK*1 and A/D conversion clock ADCLK*1 can be set so that the frequency division ratio should be one of the following. PCLK to ADCLK frequency division ratio = 1:1, 1:2, 1:4, 1:8, 2:1, 4:1 ADCLK is set using the clock generation circuit.
Data registers	For analog input: 16 data registers For duplication of A/D conversion data in double trigger mode: One data register For temperature sensor: One data register For internal reference voltage: One data register The A/D conversion result is stored in 12-bit A/D data registers. In addition mode, A/D conversion results are added and stored in A/D data registers as 14-bit data. Duplication of A/D conversion data <ul style="list-style-type: none"> A/D conversion data of one selected analog input channel is stored into A/D data register y when conversion is started by the first trigger and into the duplication register when started by the second trigger. Duplication is available only in double trigger mode in single scan mode or group scan mode.

Table 33.1 Specifications of 12-Bit A/D Converter (2 / 2)

Item	Description
Operating modes	<ul style="list-style-type: none"> • Single scan mode: A/D conversion is performed for only once on the analog inputs of up to 16 arbitrarily selected channels. A/D conversion is performed only once on the temperature sensor output. A/D conversion is performed only once on the internal reference voltage. • Continuous scan mode: A/D conversion is performed repeatedly on the analog inputs of up to 16 arbitrarily selected channels.*² • Group scan mode: Up to 16 channels of analog inputs are divided into group A and group B and A/D conversion is performed only once on all the selected channels on a group basis. The scan start conditions of group A and group B can be independently selected, thus allowing A/D conversion of group A and group B to be started independently.
Conditions of A/D conversion start	<ul style="list-style-type: none"> • Software trigger • Synchronous trigger Trigger by MTU, ELC, or temperature sensor • Asynchronous trigger A/D conversion can be triggered from the ADTRG0# pin.
Function	<ul style="list-style-type: none"> • Sample-and-hold function • Channel-dedicated sample-and-hold function ($0.25\text{ V} \leq \text{analog voltage input} \leq \text{AVCC0} - 0.25\text{ V}$) • Variable sampling state count • Self-diagnosis of 12-bit A/D converter • A/D-converted value addition mode • Analog input disconnection detection assist • Double trigger mode (duplication of A/D conversion data)
Interrupt source	<ul style="list-style-type: none"> • In the modes except double trigger mode and group scan mode, A/D scan end interrupt (S12ADI0) request can be generated on completion of single scan. • In double trigger mode, A/D scan end interrupt (S12ADI0) request can be generated on completion of double scan. • In group scan mode, A/D scan end interrupt (S12ADI0) request can be generated on completion of group A scan, whereas A/D scan end interrupt specially for group B (GBADI) request can be generated on completion of group B scan. • In group scan mode with double trigger mode, A/D scan end interrupt (S12ADI0) request can be generated on completion of double scan of group A, whereas A/D scan end interrupt specially for group B (GBADI) request can be generated on completion of group B scan. • S12ADI0 or GBADI interrupt can activate DMA controller (DMAC) or data transfer controller (DTC).
Event linking	<ul style="list-style-type: none"> • An ELC event can be generated on completion of scans except for group B scan in group scan mode. • A/D conversion can be started by the trigger from ELC.
Low power consumption function	<ul style="list-style-type: none"> • Module stop state can be specified.*³

Note 1. Peripheral module clock PCLK is set according to the setting of SCKCR.PCKB[3:0] and A/D conversion clock ADCLK is set according to the setting of SCKCR.PCKD[3:0].

Note 2. Do not use continuous scan mode or group scan mode when the temperature sensor output or the internal reference voltage is selected.

Note 3. When the module stop state is canceled, A/D conversion can be started after 1 μs has elapsed.

Table 33.2 Functions of 12-Bit A/D Converter

Item			Function
Analog input channel			AN000 to AN015, temperature sensor output, internal reference voltage
A/D conversion start conditions	Software	Software trigger	Enabled
	Asynchronous trigger	ADTRG0#	Enabled
		Synchronous trigger	TRGA compare match/input capture from MTU0
	TRGB compare match/input capture from MTU0		TRG0BN
	TRGA compare match/input capture or MTU4.TCNT underflow (trough) in complementary PWM mode from MTU0 to MTU4		TRGAN
	TRGE compare match from MTU0		TRG0EN
	TRGF compare match from MTU0		TRG0FN
	MTU4.TADCORA and MTU4.TCNT compare match (interrupt skipping function 1)		TRG4AN
	MTU4.TADCORB and MTU4.TCNT compare match (interrupt skipping function 1)	TRG4BN	
	MTU4.TADCORA and MTU4.TCNT compare match and MTU4.TADCORB and MTU4.TCNT compare match (interrupt skipping function 1)	TRG4ABN	
	TRGA compare match/input capture from TPU0 to TPU4 or TRGA compare match/input capture from TPU0	TRGAN1*1 TRG4ABN1*1	
	Trigger from ELC	Enabled	
Trigger from temperature sensor	Enabled		
Interrupt			S12ADI0 interrupt, GBADI interrupt
Module stop function setting*2			MSTPCRA.MSTPA17 bit

Note 1. This pin is only present in products with 144 or more pins.

Note 2. For details, see section 11, Low Power Consumption.

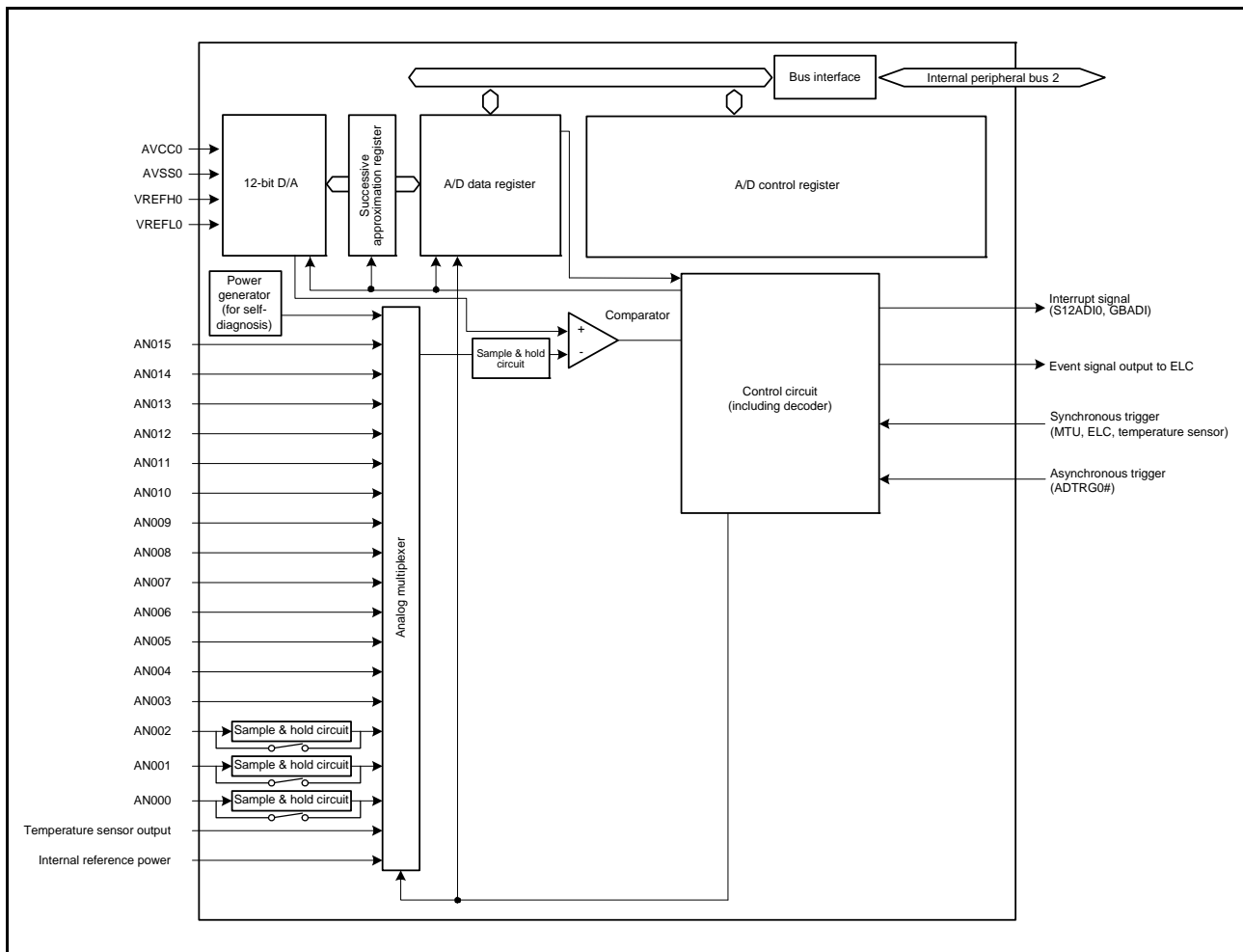


Figure 33.1 Block Diagram of 12-Bit A/D Converter

Table 33.3 lists the input pins of the 12-bit A/D converter.

Table 33.3 Input Pins of 12-Bit A/D Converter

Pin Name	Input	Function
AVCC0	Input	Analog block power supply pin
AVSS0	Input	Analog block ground pin
VREFH0	Input	Reference power supply pin
VREFL0	Input	Reference ground pin
AN000 to AN015	Input	Analog input pins (AN000, AN001, and AN002 have channel-dedicated sample-and-hold function)
ADTRG0#	Input	External trigger input pin for starting A/D conversion

33.2 Register Descriptions

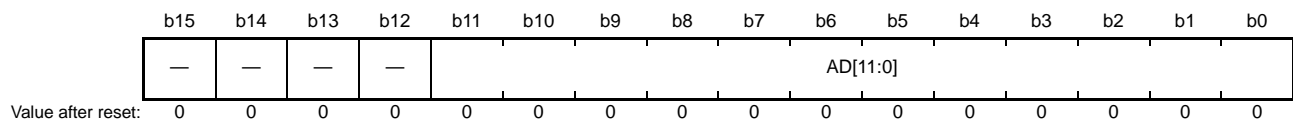
33.2.1 A/D Data Registers y (ADDRy) (y = 0 to 15)

ADDRy are 16-bit read-only registers which store the A/D conversion results of channels AN000 to AN015.

The A/D data registers use the following different formats depending on the setting of the A/D data register format select bit (ADRFMT) in ADCER or A/D-converted value addition mode.

- ADCER.ADRFMT = 0 (Setting for right-alignment)

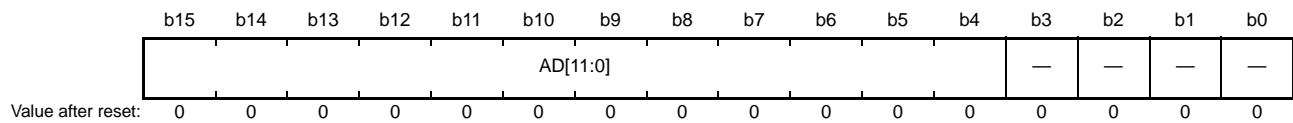
Address: ADDR0:0008 9020h to ADDR15:0008 903Eh



Bit	Symbol	Bit Name	Description	R/W
b11 to b0	AD[11:0]	—	12-bit A/D-converted value	R
b15 to b12	—	Reserved	These bits are read as 0. The write value should be 0.	R/W

- ADCER.ADRFMT = 1 (Setting for left-alignment)

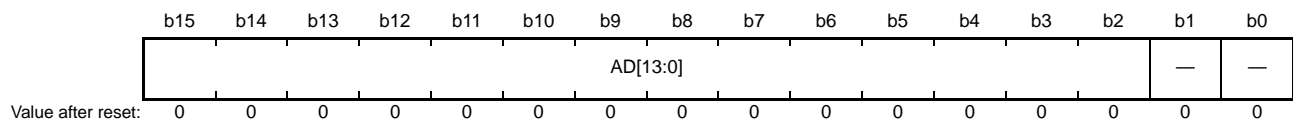
Address: ADDR0:0008 9020h to ADDR15:0008 903Eh



Bit	Symbol	Bit Name	Description	R/W
b3 to b0	—	Reserved	These bits are read as 0. The write value should be 0.	R/W
b15 to b4	AD[11:0]	—	12-bit A/D-converted value	R

- When A/D-converted value addition mode is selected

Address: ADDR0:0008 9020h to ADDR15:0008 903Eh



Bit	Symbol	Bit Name	Description	R/W
b1, b0	—	Reserved	These bits are read as 0. The write value should be 0.	R/W
b15 to b2	AD[13:0]	—	14-bit A/D-converted value addition result	R

When A/D-converted value addition mode is selected, the AD[13:0] bits in ADDR_y show the value added by the A/D-converted value of the respective channels. In A/D-converted value addition mode, the setting of the ADRFMT bit in ADCER becomes invalid and the format of the register becomes left-aligned.

The following minimum and maximum values apply to channels on which A/D-converted value addition mode is selected.

First conversion: $0000h \leq ADDR_y (y = 0 \text{ to } 15) \leq 3FFCh$

(ADDR_y (y = 0 to 15): Bits 15 and 14 = 00b, bits 13 to 2 = AD11 to AD0, bits 1 and 0 = 00b)

Second conversion: $0000h \leq ADDR_y (y = 0 \text{ to } 15) \leq 7FF8h$

(ADDR_y (y = 0 to 15): Bit 15 = 0b, bits 14 to 2 = AD12 to AD0, bits 1 and 0 = 00b)

Third conversion: $0000h \leq ADDR_y (y = 0 \text{ to } 15) \leq BFF4h$

(ADDR_y (y = 0 to 15): Bits 15 to 2 = AD13 to AD0, bits 1 and 0 = 00b)

Fourth conversion: $0000h \leq ADDR_y (y = 0 \text{ to } 15) \leq FFF0h$

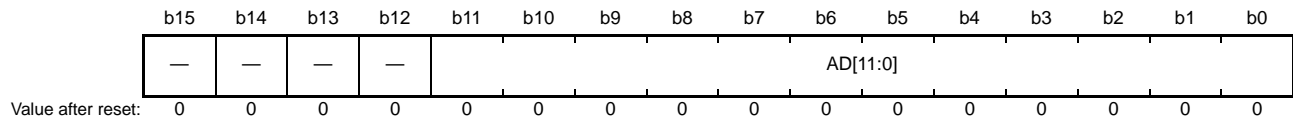
(ADDR_y (y = 0 to 15): Bits 15 to 2 = AD13 to AD0, bits 1 and 0 = 00b)

33.2.2 A/D Data Duplication Register (ADDBLDR)

ADDBLDR is a 16-bit read-only register used in double trigger mode. ADDBLDR holds the results of A/D conversion of the analog input of the channel selected for data duplication when the conversion is started by the second trigger. ADDBLDR uses the following different formats depending on the setting of the A/D data register format select bit (ADRFMT) in ADCER or A/D-converted value addition mode.

- ADCER.ADRFMT = 0 (Setting for right-alignment)

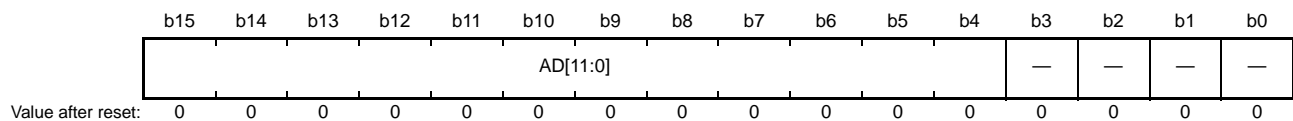
Address: 0008 9018h



Bit	Symbol	Bit Name	Description	R/W
b11 to b0	AD[11:0]	—	12-bit A/D-converted value	R
b15 to b12	—	Reserved	These bits are read as 0. The write value should be 0.	R/W

- ADCER.ADRFMT=1 (Setting for left-alignment)

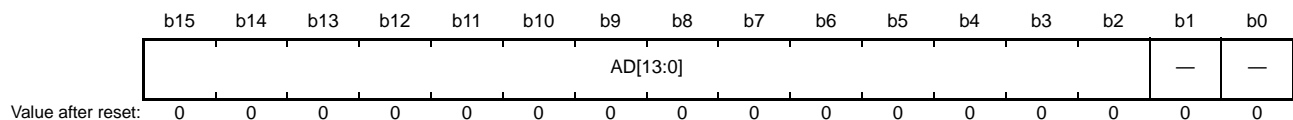
Address: 0008 9018h



Bit	Symbol	Bit Name	Description	R/W
b3 to b0	—	Reserved	These bits are read as 0. The write value should be 0.	R/W
b15 to b4	AD[11:0]	—	12-bit A/D-converted value	R

- When A/D-converted value addition mode is selected

Address: 0008 9018h



Bit	Symbol	Bit Name	Description	R/W
b1, b0	—	Reserved	These bits are read as 0. The write value should be 0.	R/W
b15 to b2	AD[13:0]	—	14-bit A/D-converted value addition result	R

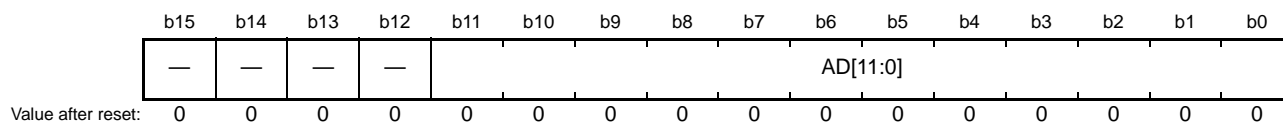
When A/D-converted value addition mode is selected, the AD[13:0] bits in ADDBLDR show the value added by the A/D-converted value of the respective channels. In A/D-converted value addition mode, the setting of the ADRFMT bit in ADCER becomes invalid and the format of the register becomes left-aligned.

33.2.3 A/D Temperature Sensor Data Register (ADTSDR)

ADTSDR is a 16-bit read-only register that holds the A/D conversion results of the temperature sensor output. The following different formats are used depending on the setting of the A/D data register format select bit (ADRFMT) in ADCER. ADTSDR cannot be set to A/D-converted value addition mode.

- ADCER.ADRFMT = 0 (Setting for right-alignment)

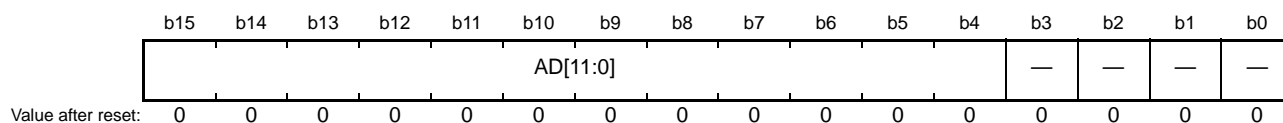
Address: 0008 901Ah



Bit	Symbol	Bit Name	Description	R/W
b11 to b0	AD[11:0]	—	12-bit A/D-converted value	R
b15 to b12	—	Reserved	These bits are read as 0. The write value should be 0.	R/W

- ADCER.ADRFMT = 1 (Setting for left-alignment)

Address: 0008 901Ah



Bit	Symbol	Bit Name	Description	R/W
b3 to b0	—	Reserved	These bits are read as 0. The write value should be 0.	R/W
b15 to b4	AD[11:0]	—	12-bit A/D-converted value	R

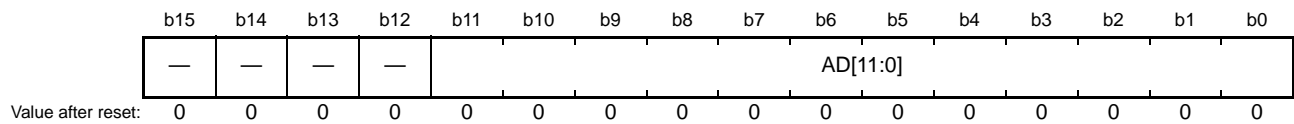
33.2.4 A/D Internal Reference Voltage Data Register (ADOCDR)

ADOCDR is a 16-bit read-only register that holds the A/D conversion results of the internal reference voltage.

The following different formats are used depending on the setting of the A/D data register format select bit (ADRFMT) in ADCER or A/D-converted value addition mode.

- ADCER.ADRFMT = 0 (Setting for right-alignment)

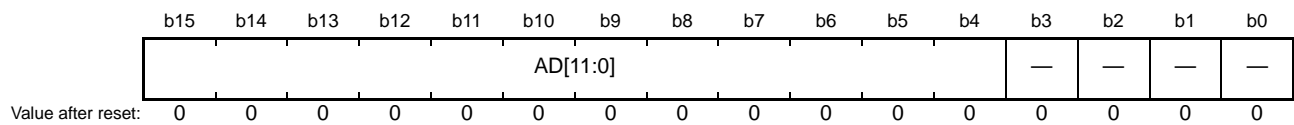
Address: 0008 901Ch



Bit	Symbol	Bit Name	Description	R/W
b11 to b0	AD[11:0]	—	12-bit A/D-converted value	R
b15 to b12	—	Reserved	These bits are read as 0. The write value should be 0.	R/W

- ADCER.ADRFMT = 1 (Setting for left-alignment)

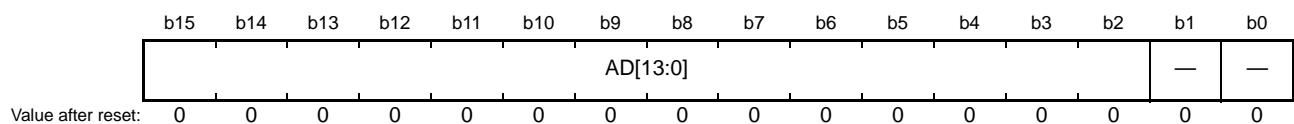
Address: 0008 901Ch



Bit	Symbol	Bit Name	Description	R/W
b3 to b0	—	Reserved	These bits are read as 0. The write value should be 0.	R/W
b15 to b4	AD[11:0]	—	12-bit A/D-converted value	R

- When A/D-converted value addition mode is selected

Address: 0008 901Ch



Bit	Symbol	Bit Name	Description	R/W
b1, b0	—	Reserved	These bits are read as 0. The write value should be 0.	R/W
b15 to b2	AD[13:0]	—	14-bit A/D-converted value addition result	R

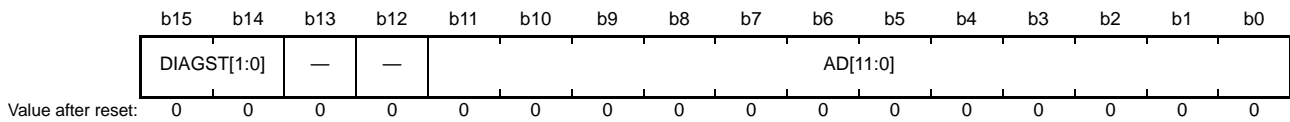
When A/D-converted value addition mode is selected, the AD[13:0] bits in ADOCADR show the value added by the A/D-converted value of the internal reference voltage. In A/D-converted value addition mode, the setting of the ADRFMT bit in ADCER becomes invalid and the format of the register becomes left-aligned.

33.2.5 A/D Self-Diagnosis Data Register (ADRD)

ADRD is a 16-bit read-only register that holds the A/D conversion results based on the A/D converter's self-diagnosis. The following different formats are used depending on the setting of the A/D data register format select bit (ADRFMT) in ADCER. ADRD cannot be set to A/D-converted value addition mode.

- ADCER.ADRFMT = 0 (Setting for right-alignment)

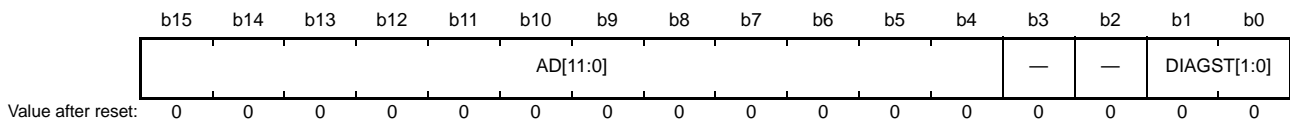
Address: 0008 901Eh



Bit	Symbol	Bit Name	Description	R/W
b11 to b0	AD[11:0]	—	12-bit A/D-converted value	R
b13, b12	—	Reserved	These bits are read as 0. The write value should be 0.	R/W
b15, b14	DIAGST[1:0]	Self-Diagnosis Status	b15 b14 0 0: Self-diagnosis has never been executed since power-on. 0 1: Self-diagnosis using 0 V has been executed. 1 0: Self-diagnosis using VREFH0 × 1/2 has been executed. 1 1: Self-diagnosis using VREFH0 has been executed. For details of self-diagnosis, see section 33.2.11, A/D Control Extended Register (ADCER).	R

- ADCER.ADRFMT = 1 (Setting for left-alignment)

Address: 0008 901Eh



Bit	Symbol	Bit Name	Description	R/W
b1, b0	DIAGST[1:0]	Self-Diagnosis Status	b1 b0 0 0: Self-diagnosis has never been executed since power-on. 0 1: Self-diagnosis using 0 V has been executed. 1 0: Self-diagnosis using VREFH0 × 1/2 has been executed. 1 1: Self-diagnosis using VREFH0 has been executed. For details of self-diagnosis, see section 33.2.11, A/D Control Extended Register (ADCER).	R
b3, b2	—	Reserved	These bits are read as 0. The write value should be 0.	R/W
b15 to b4	AD[11:0]	—	12-bit A/D-converted value	R

33.2.6 A/D Control Register (ADCSR)

Address: 0008 9000h

b15	b14	b13	b12	b11	b10	b9	b8	b7	b6	b5	b4	b3	b2	b1	b0
ADST	ADCS[1:0]	ADIE	—	—	TRGE	EXTRG	DBLE	GBADIE	—	DBLANS[4:0]					
Value after reset: 0 0 0 0 0 0 0 0 0 0 0 0 0 0 0 0															

Bit	Symbol	Bit Name	Description	R/W
b4 to b0	DBLANS[4:0]	A/D Conversion Data Duplication Channel Select	Select one of 16 analog input channels for A/D conversion data duplication. These bits are valid only in double trigger mode.	R/W
b5	—	Reserved	This bit is read as 0. The write value should be 0.	R/W
b6	GBADIE	Group B Scan End Interrupt Enable	0: Disables GBADI interrupt generation upon group B scan completion. 1: Enables GBADI interrupt generation upon group B scan completion.	R/W
b7	DBLE	Double Trigger Mode Select	0: Deselects double trigger mode. 1: Selects double trigger mode.	R/W
b8	EXTRG	Trigger Select*1	0: A/D conversion is started by the synchronous trigger (MTU, ELC, or temperature sensor). 1: A/D conversion is started by the asynchronous trigger (ADTRG0#).	R/W
b9	TRGE	Trigger Start Enable	0: Disables A/D conversion to be started by the synchronous or asynchronous trigger. 1: Enables A/D conversion to be started by the synchronous or asynchronous trigger.	R/W
b10, b11	—	Reserved	These bits are read as 0. The write value should be 0.	R/W
b12	ADIE	Scan End Interrupt Enable	0: Disables S12ADI0 interrupt generation upon scan completion. 1: Enables S12ADI0 interrupt generation upon scan completion.	R/W
b14, b13	ADCS[1:0]	Scan Mode Select	b14 b13 0 0: Single scan mode 0 1: Group scan mode 1 0: Continuous scan mode 1 1: Setting prohibited	R/W
b15	ADST	A/D Conversion Start	0: Stops A/D conversion process. 1: Starts A/D conversion process.	R/W

Note 1. Starting A/D conversion using an external pin (asynchronous trigger)

If 1 is written to both the TRGE and EXTRG bits in ADCSR when a high-level signal is input to the external pin (ADTRG0#), and then if the ADTRG0# signal is driven low, the falling edge of ADTRG0# is detected and the scan conversion process is started. In this case, the pulse width of the low-level input must be at least 1.5 PCLK clock cycles.

DBLANS[4:0] Bits (A/D Conversion Data Duplication Channel Select)

The DBLANS[4:0] bits select one of the channels for A/D conversion data duplication in double trigger mode. The A/D conversion results of the analog input of the selected channel are stored into A/D data register y when conversion is started by the first trigger, and into the A/D data duplication register when started by the second trigger. Table 33.4 shows the relationship between the DBLANS bit settings and selected duplication channel. A/D-converted value addition mode with double trigger mode can be set by selecting the channel selected by the DBLANS[4:0] bits using the ADADS register. If double trigger mode is selected, the channel selected by the ADANSA register is invalid, and the channel selected by the DBLANS[4:0] bits is subjected to A/D conversion instead. When converting analog inputs of channels, temperature sensor output or internal reference voltage should not be selected for A/D conversion. The DBLANS[4:0] bits should be set while the ADST bit is 0 (they should not be set simultaneously when 1 is written to the ADST bit).

Table 33.4 Relationship between DBLANS Bit Settings and Double Trigger Enabled Channels

DBLANS[4:0]	Duplication Channel	DBLANS[4:0]	Duplication Channel
00000	AN000	01000	AN008
00001	AN001	01001	AN009
00010	AN002	01010	AN010
00011	AN003	01011	AN011
00100	AN004	01100	AN012
00101	AN005	01101	AN013
00110	AN006	01110	AN014
00111	AN007	01111	AN015

GBADIE Bit (Group B Scan End Interrupt Enable)

The GBADIE bit enables or disables group B scan end interrupt (GBADI) in group scan mode.

DBLE Bit (Double Trigger Mode Select)

In double trigger mode, the following operation is performed after scanning is started by the MTU or ELC trigger selected by the TRSA[3:0] bits in ADSTRGR.

1. When the ADIE bit is 1, a scan end interrupt is not output upon first scan completion but is output upon second scan completion.
2. The A/D conversion results of the analog input of the channel selected by the DBLANS[4:0] are stored into A/D data register y for the first time, and into the A/D data duplication register for the second time.

Setting the DBLE bit to 1 invalidates the channel selected by the ADANSA register. In continuous scan mode, double trigger mode should not be selected. Temperature sensor output or internal reference voltage should not be selected for A/D conversion. In double trigger mode, software trigger should not be selected. The DBLE bit should be set while ADST bit is 0 (it should not be set simultaneously when 1 is written to the ADST bit.)

TRGE Bit (Trigger Start Enable)

The TRGE bit enables or disables A/D conversion by the synchronous trigger and the asynchronous trigger. This bit should be set to 1 in group scan mode.

ADIE Bit (Scan End Interrupt Enable)

The ADIE bit enables or disables the A/D scan end interrupt (S12ADI0) in scans except for group B scan in group scan mode.

With double trigger mode deselected, the S12ADI0 interrupt is generated when the first scan is completed if the ADIE bit is set to 1.

When the temperature sensor output or the internal reference voltage is selected, the S12ADI0 interrupt is also generated when A/D conversion is completed if the ADIE bit is set to 1.

With double trigger mode selected, the S12ADI0 interrupt is generated when the second scan is completed if the ADIE bit is set to 1 as long as the scan is started by the MTU or ELC trigger selected by the TRSA[3:0] bits in ADSTRGR.

ADCS[1:0] Bits (Scan Mode Select)

The ADCS bit selects the scan mode.

In single scan mode, A/D conversion is performed for the analog inputs of a maximum of 16 channels selected with the ADANSA register in the ascending order of the channel number, and when one cycle of A/D conversion is completed for all the selected channels, scan conversion is stopped.

In continuous scan mode, while the ADST bit in ADCSR is 1, A/D conversion is performed for the analog inputs of a maximum of 16 channels selected with the ADANSA register in the ascending order of the channel number, and when one cycle of A/D conversion is completed for all the selected channels, A/D conversion is repeated beginning at the first channel. A/D conversion is repeated until the ADST bit in ADCSR is set to 0.

In group scan mode, A/D conversion is performed for the analog inputs (group A) of a maximum of 16 channels selected with the ADANSA register in the ascending order of the channel number after scanning is started by the MTU or ELC trigger selected by the TRSA[3:0] bits in ADSTRGR, and when one cycle of A/D conversion is completed for all the selected channels, A/D conversion is stopped. A/D conversion is also performed for the analog inputs (group B) of a maximum of 16 channels selected with the ADANSB register in the ascending order of the channel number after scanning is started by the MTU or ELC trigger selected by the TRSB[3:0] bits in ADSTRGR, and when one cycle of A/D conversion is completed for all the selected channels, A/D conversion is stopped. In group scan mode, different channels and triggers should be selected for group A and group B.

When the temperature sensor output or the internal reference voltage is selected, single scan mode should be selected and all the channels selected by the ADANSA register should be deselected, after which A/D conversion is to be started. The A/D conversion stops after completion of A/D conversion of the temperature sensor output or the internal reference voltage selected.

The ADCS bit should be set while the ADST bit is 0 (it should not be set simultaneously when 1 is written to the ADST bit.)

ADST Bit (A/D Conversion Start)

The ADST bit starts or stops A/D conversion process.

Before the ADST bit is set to 1, set the A/D conversion clock, the conversion mode, and conversion target analog input. [Setting conditions]

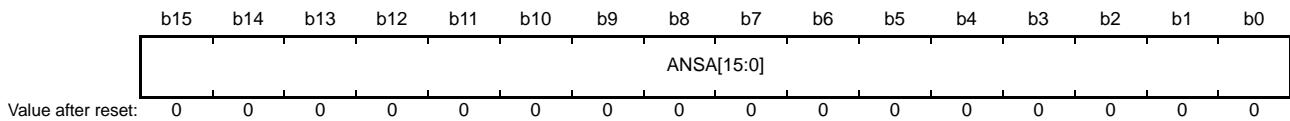
- 1 is written by software.
- The synchronous trigger (MTU, ELC, or temperature sensor) selected by the ADSTRGR.TRSA[3:0] bits is detected with ADCSR.EXTRG and ADCSR.TRGE bits being set to 0 and 1, respectively.
- A synchronous trigger (MTU or ELC) selected by the ADSTRGR.TRSB[3:0] bits is detected with the ADCSR.TRGE bit being set to 1 in group scan mode.
- The asynchronous trigger is detected with the ADCSR.TRGE and ADCSR.EXTRG bits being set to 1 and the ADSTRGR.TRSA[3:0] bits being set to 0000b.

[Clearing conditions]

- 0 is written by software.
- The A/D conversion of all the channels selected is completed in single scan mode.
- The A/D conversion of the temperature sensor output or the internal reference voltage selected is completed in single scan mode.
- Group A scan is completed in group scan mode.
- Group B scan is completed in group scan mode.

33.2.7 A/D Channel Select Register A (ADANSA)

Address: 0008 9004h



Bit	Symbol	Bit Name	Description	R/W
b15 to b0	ANSA[15:0]	A/D Conversion Channels Select	0: AN000 to AN015 are not subjected to conversion. 1: AN000 to AN015 are subjected to scan conversion.	R/W

ADANSA selects analog input channels for A/D conversion from among AN000 to AN015. In group scan mode, group A channels are to be selected.

ANSA[15:0] Bits (A/D Conversion Channel Select)

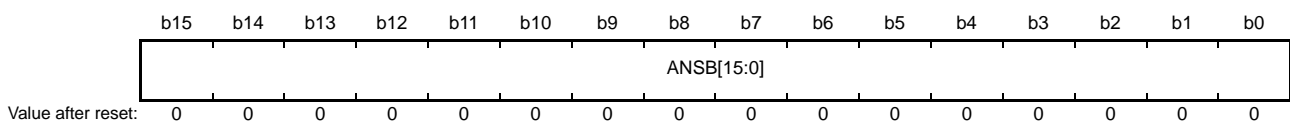
The ANSA[15:0] bits select analog input channels for A/D conversion from among AN000 to AN015. The channels to be selected and the number of channels can be arbitrarily set. The ANSA[0] bit corresponds to AN000 and the ANSA[15] bit corresponds to AN015. When A/D conversion of analog inputs of the channels is to be performed, A/D conversion of the temperature sensor output and the internal reference voltage should not be performed.

When double trigger mode is selected, the channel selected by the ANSA[15:0] bits is invalid, and the channel selected by the ADCSR.DBLANS[4:0] bits is selected in group A instead.

The ANSA[15:0] bits should be set while the ADCSR.ADST bit is 0.

33.2.8 A/D Channel Select Register B (ADANSB)

Address: 0008 9014h



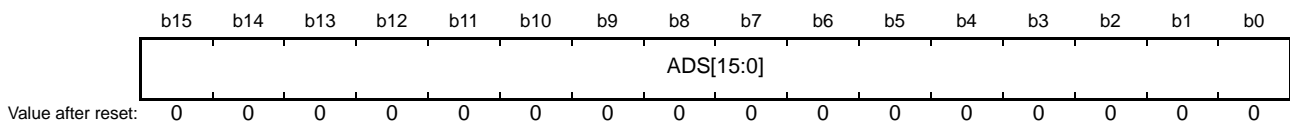
Bit	Symbol	Bit Name	Description	R/W
b15 to b0	ANSB[15:0]	A/D Conversion Channels Select	0: AN000 to AN015 are not subjected to conversion. 1: AN000 to AN015 are subjected to scan conversion.	R/W

ADANSB selects channels for A/D conversion in group B from among AN000 to AN015 in group scan mode. ADANSB is not used in any other scan mode. The channels for conversion can be selected from among the channels other than group A channels, which are selected by the ADANSA register or ADCSR.DBLANS[4:0] bits in double trigger mode. The ANSB[0] bit corresponds to AN000 and the ANSB[15] bit corresponds to AN015. When A/D conversion of analog inputs of the channels is to be performed, A/D conversion of the temperature sensor output and the internal reference voltage should not be performed.

The ANSB[15:0] bits should be set while the ADST bit is 0.

33.2.9 A/D-Converted Value Addition Mode Select Register (ADADS)

Address: 0008 9008h



Bit	Symbol	Bit Name	Description	R/W
b15 to b0	ADS[15:0]	A/D-Converted Value Addition Channel Select	0: A/D-converted value addition mode for AN000 to AN015 is not selected. 1: A/D-converted value addition mode for AN000 to AN015 is selected.	R/W

ADADS selects the channels 0 to 15 on which A/D conversion is performed successively two to four times and then converted values are added (integrated).

ADS[15:0] Bits (A/D-Converted Value Addition Channel Select)

When the ADS[n] bit of the number that is the same as that of A/D converted channel selected by ANSA[n] bits (n = 0 to 15) in ADANSA or DBLANS[4:0] bits in ADCSR and ANSB[n] bits (n = 0 to 15) in ADANSB is set to 1, these bits perform A/D conversion of analog input of the selected channels successively 2 to 4 times that is set with the ADC[1:0] bits in ADADC and returns the added (integrated) conversion results to the A/D data register. For the channel for which the A/D conversion is performed and addition mode is not selected, a normal one-time conversion is performed and the conversion result is returned to the A/D data register.

The ADS[15:0] bits should be set while the ADCSR.ADST bit is 0.

Figure 33.2 shows a scanning operation sequence in which both the ADS[2] and ADS[6] bits are set to 1. In continuous scan mode (ADCSR.ADCS = 10b), it is assumed that the addition count is set to 3 (ADADC.ADC[1:0] = 11b) and the channels AN000 to AN007 are selected (ADANSA.ANSA[15:0] = 00FFh). The conversion process begins with AN000. The AN002 conversion is performed successively 4 times, and the added (integrated) value is returned to the A/D data register 2. After that the AN003 conversion process is started. The AN006 conversion is performed successively 4 times and the added (integrated) value is returned to the A/D data register 6. After conversion of AN007, the conversion operation is once again performed in the same sequence from AN000. For the channel for which the addition mode is not selected, the A/D data register format is determined by the ADRFMT bit in ADCER (right-alignment or left-alignment).

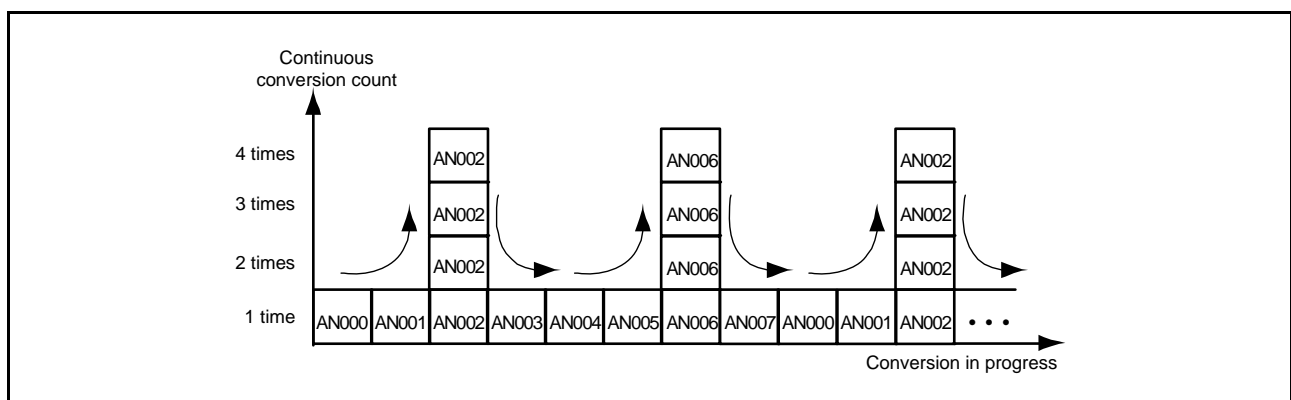
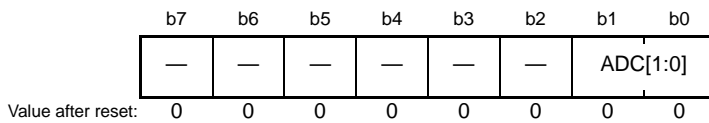


Figure 33.2 Scan Conversion Sequence with ADADC.ADC[1:0] = 11b, ADS[2] = 1, and ADS[6] = 1

33.2.10 A/D-Converted Value Addition Count Select Register (ADADC)

Address: 0008 900Ch



Bit	Symbol	Bit Name	Description	R/W
b1, b0	ADC[1:0]	Addition Count Select	b1 b0 0 0: 1-time conversion (no addition; same as normal conversion) 0 1: 2-time conversion (addition once) 1 0: 3-time conversion (addition twice) 1 1: 4-time conversion (addition three times)	R/W
b7 to b2	—	Reserved	These bits are read as 0. The write value should be 0.	R/W

ADADC sets the addition count for the channels for which A/D-converted value addition mode is selected, and for A/D conversion of the internal reference voltage.

ADC[1:0] Bits (Addition Count Select)

The ADC[1:0] bits set the addition count common to the channels for which A/D conversion or A/D-converted value addition mode is selected, including the channels selected in double trigger mode (by ADCSR.DBLANS[4:0] bits), and to A/D conversion of the internal reference voltage.

The ADC[1:0] bits should be set while the ADCSR.ADST bit is 0.

33.2.11 A/D Control Extended Register (ADCER)

Address: 0008 900Eh

	b15	b14	b13	b12	b11	b10	b9	b8	b7	b6	b5	b4	b3	b2	b1	b0
	ADRFMT	—	—	—	DIAGM	DIAGLD	DIAGVAL[1:0]	—	—	ACE	—	—	—	—	—	—
Value after reset:	0	0	0	0	0	0	0	0	0	0	0	0	0	0	0	0

Bit	Symbol	Bit Name	Description	R/W
b4 to b0	—	Reserved	These bits are read as 0. The write value should be 0.	R/W
b5	ACE	Automatic Clearing Enable	0: Disables automatic clearing. 1: Enables automatic clearing.	R/W
b7, b6	—	Reserved	These bits are read as 0. The write value should be 0.	R/W
b9, b8	DIAGVAL[1:0]	Conversion Voltage Select for Self-Diagnosis	b9 b8 0 0: Setting prohibited when self-diagnosis is enabled 0 1: Uses 0 V for self-diagnosis. 1 0: Uses VREFH0 × 1/2 for self-diagnosis. 1 1: Uses VREFH0 for self-diagnosis.	R/W
b10	DIAGLD	Self-Diagnosis Mode Select	0: Rotation mode for self-diagnosis voltage 1: Fixed mode for self-diagnosis voltage	R/W
b11	DIAGM	Self-Diagnosis Enable	0: Disables self-diagnosis of 12-bit A/D converter. 1: Enables self-diagnosis of 12-bit A/D converter.	R/W
b14 to b12	—	Reserved	These bits are read as 0. The write value should be 0.	R/W
b15	ADRFMT	A/D Data Register Format Select	0: Right-alignment is selected for the A/D data register format. 1: Left-alignment is selected for the A/D data register format.	R/W

ACE Bit (Automatic Clearing Enable)

The ACE bit enables or disables automatic clearing (All 0) of ADDRy, ADRD, ADTSDR, ADOCDR, and ADDBLDR after the register has been read by the CPU, DTC, or DMAC. This function enables update failures of ADDRy, ADRD, ADTSDR, ADOCDR, and ADDBLDR to be detected.

DIAGVAL[1:0] Bits (Conversion Voltage Select for Self-Diagnosis)

For details, refer to the ADCER.DIAGLD bit description.

Self-diagnosis should not be executed by setting the ADCER.DIAGLD bit to 1 with these bits set to 00b.

DIAGLD Bit (Self-Diagnosis Mode Select)

The DIAGLD bit selects whether the three voltage values are rotated or the fixed voltage is used in self-diagnosis. Setting this bit to 0 allows conversion of the voltages in rotation mode where 0 V, VREFH0 × 1/2, and VREFH0 are converted in this order. After reset, 0 V is first converted if rotation mode is selected whereas the fixed voltage specified by the ADCER.DIAGVAL[1:0] bits is converted if fixed mode is selected. In rotation mode, the self-diagnosis voltage value does not return to 0 V when scan conversion is completed; when scan conversion is restarted, rotation starts at the voltage value following the previous value. If fixed mode is switched to rotation mode, rotation starts at the fixed voltage value.

The DIAGLD bit should be set while the ADST bit is 0.

DIAGM Bit (Self-Diagnosis Enable)

The DIAGM bit enables or disables self-diagnosis.

Self-diagnosis is used to detect a failure of the 12-bit A/D converter. Specifically, one of the internally generated voltage values 0 V, VREFH0 × 1/2, and VREFH0 is converted. When conversion is completed, information of the converted

voltage and the conversion result is stored into the self-diagnosis data register (ADRD). ADRD can then be read by software to determine whether the conversion result falls within the normal range (normal) or not (abnormal). Self-diagnosis is executed once at the beginning of each scan, and one of the three voltages is converted. The execution time of self-diagnosis equals to the A/D conversion time of one channel. To execute self-diagnosis, A/D conversion of the temperature sensor output or the internal reference voltage should not be selected. If selected, self-diagnosis is not executed. When self-diagnosis is selected in group scan mode, self-diagnosis is separately executed for group A and group B.

The DIAGM bit should be set while the ADST bit is 0.

ADRFMT Bit (A/D Data Register Format Select)

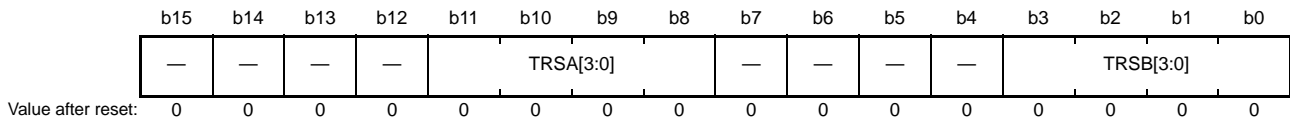
The ADRFMT bit specifies left-alignment or right-alignment for the data to be stored in ADDRy, ADRD, ADTSDR, ADOCDR, and ADDBLDR.

When the A/D converted value addition mode is selected, the format of each data register is fixed to left-alignment, irrespective of the ADCER.ADRFMT bit value.

For details on the format of the data registers, see section 33.2.1, A/D Data Registers y (ADDRy) (y = 0 to 15), section 33.2.2, A/D Data Duplication Register (ADDBLDR), section 33.2.3, A/D Temperature Sensor Data Register (ADTSDR), section 33.2.4, A/D Internal Reference Voltage Data Register (ADOCDR), and section 33.2.5, A/D Self-Diagnosis Data Register (ADRD).

33.2.12 A/D Start Trigger Select Register (ADSTRGR)

Address: 0008 9010h



Bit	Symbol	Bit Name	Description	R/W
b3 to b0	TRSB[3:0]	A/D Conversion Start Trigger Select for Group B	Select the A/D conversion start trigger for group B in group scan mode.	R/W
b7 to b4	—	Reserved	These bits are read as 0. The write value should be 0.	R/W
b11 to b8	TRSA[3:0]	A/D Conversion Start Trigger Select	Select the A/D conversion start trigger in single scan mode and continuous mode. In group scan mode, the A/D conversion start trigger for group A is selected.	R/W
b15 to b12	—	Reserved	These bits are read as 0. The write value should be 0.	R/W

TRSB[3:0] Bits (A/D Conversion Start Trigger Select for Group B)

The TRSB[3:0] bits select the trigger to start scanning of the analog input selected in group B. The TRSB[3:0] bits require to be set only in group scan mode and are not used in any other scan mode. For the scan conversion start trigger for group B, setting software trigger or asynchronous trigger is prohibited. Therefore, the TRSB[3:0] bits should be set to the value other than 0000 and the ADCSR.TRGE bit should be set to 1 in group scan mode.

Table 33.5 shows the A/D conversion startup sources selected by TRSB[3:0] bits.

TRSA[3:0] Bits (A/D Conversion Start Trigger Select)

The TRSA[3:0] bits select the trigger to start A/D conversion in single scan mode and continuous scan mode. In group scan mode, the trigger to start scanning of the analog input selected in group A is selected. For scan execution in group scan mode or double trigger mode, software trigger or asynchronous trigger cannot be used.

- When using the A/D conversion startup source of the synchronous trigger (MTU, ELC, or temperature sensor), set the TRGE bit in ADCSR to 1 and set the EXTRG bit in ADCSR to 0.
- When using the asynchronous trigger (ADTRG0#), set the TRGE bit in ADCSR to 1 and set the EXTRG bit in ADCSR to 1.
- Software trigger (ADST bit in ADCSR) is enabled regardless of the set values of the TRGE, EXTRG in ADCSR, and the TRSA[3:0] bits.

Table 33.6 shows the A/D conversion startup sources selected by TRSA[3:0] bits

Table 33.5 List of A/D Conversion Startup Sources Selected by TRSB[3:0] Bits

Module	Source	Remarks	TRSB[3]	TRSB[2]	TRSB[1]	TRSB[0]
MTU	TRG0AN	TRGA input capture/compare match from MTU0	0	0	0	1
	TRG0BN	TRGB input capture/compare match B from MTU0	0	0	1	0
	TRGAN	TRGA input capture/compare match or MTU4.TCNT underflow (trough) in complementary PWM mode from MTU0 to MTU4	0	0	1	1
	TRG0EN	TRGE compare match from MTU0	0	1	0	0
	TRG0FN	TRGF compare match from MTU0	0	1	0	1
	TRG4AN	MTU4.TADCORA and MTU4.TCNT compare match (interrupt skipping function 1)	0	1	1	0
	TRG4BN	MTU4.TADCORB and MTU4.TCNT compare match (interrupt skipping function 1)	0	1	1	1
	TRG4ABN	MTU4.TADCORA and MTU4.TCNT compare match and MTU4.TADCORB and MTU4.TCNT compare match (interrupt skipping function 1)	1	0	0	0
ELC	ELC	Trigger from ELC	1	0	0	1
TPU	TRGAN1	TRGA compare match/input capture from TPU0 to TPU4*1	1	0	1	1
	TRG4ABN1	TRGA compare match/input capture from TPU0*1	1	1	0	0

Note 1. This pin is only present in products with 144 or more pins.

Table 33.6 List of A/D Conversion Startup Sources Selected by TRSA[3:0] Bits

Module	Source	Remarks	TRSA[3]	TRSA[2]	TRSA[1]	TRSA[0]
ADC	ADST	Software trigger	—	—	—	—
External input	ADTRG0#	A/D conversion start trigger pin	0	0	0	0
MTU	TRG0AN	TRGA input capture/compare match from MTU0	0	0	0	1
	TRG0BN	TRGB input capture/compare match B from MTU0	0	0	1	0
	TRGAN	TRGA input capture/compare match or MTU4.TCNT underflow (trough) in complementary PWM mode from MTU0 to MTU4	0	0	1	1
	TRG0EN	TRGE compare match from MTU0	0	1	0	0
	TRG0FN	TRGF compare match from MTU0	0	1	0	1
	TRG4AN	MTU4.TADCORA and MTU4.TCNT compare match (interrupt skipping function 1)	0	1	1	0
	TRG4BN	MTU4.TADCORB and MTU4.TCNT compare match (interrupt skipping function 1)	0	1	1	1
	TRG4ABN	MTU4.TADCORA and MTU4.TCNT compare match and MTU4.TADCORB and MTU4.TCNT compare match (interrupt skipping function 1)	1	0	0	0
ELC	ELC	Trigger from ELC	1	0	0	1
Temperature sensor	Temperature sensor	Trigger from temperature sensor	1	0	1	0
TPU	TRGAN1	TRGA compare match/input capture from TPU0 to TPU4*1	1	0	1	1
	TRG4ABN1	TRGA compare match/input capture from TPU0*1	1	1	0	0

Note 1. This pin is only present in products with 144 or more pins.

33.2.13 A/D Conversion Extended Input Control Register (ADEXICR)

Address: 0008 9012h

	b15	b14	b13	b12	b11	b10	b9	b8	b7	b6	b5	b4	b3	b2	b1	b0
	—	—	—	—	—	—	OCS	TSS	—	—	—	—	—	—	OCSAD	—
Value after reset:	0	0	0	0	0	0	0	0	0	0	0	0	0	0	0	0

Bit	Symbol	Bit Name	Description	R/W
b0	—	Reserved	This bit is read as 0. The write value should be 0.	R/W
b1	OCSAD	Internal Reference Voltage A/D Converted Value Addition Mode Select	0: Internal reference voltage A/D converted value addition mode is not selected 1: Internal reference voltage A/D converted value addition mode is selected	R/W
b7 to b2	—	Reserved	These bits are read as 0. The write value should be 0.	R/W
b8	TSS	Temperature Sensor Output A/D Conversion Select	0: A/D conversion of temperature sensor output is not performed 1: A/D conversion of temperature sensor output is performed	R/W
b9	OCS	Internal Reference Voltage A/D Conversion Select	0: A/D conversion of internal reference voltage is not performed 1: A/D conversion of internal reference voltage is performed	R/W
b15 to b10	—	Reserved	These bits are read as 0. The write value should be 0.	R/W

OCSAD Bit (Internal Reference Voltage A/D Converted Value Addition Mode Select)

The OCSAD bit selects A/D conversion for the internal reference voltage. Setting the OCSAD bit to 1 performs A/D conversion of the internal reference voltage successively 2 to 4 times that is set with the ADC[1:0] bits in ADADC and returns the integrated value to the A/D internal reference voltage data register (ADOCDR). The OCSAD bit should be set while the ADST bit in ADCSR is 0.

TSS Bit (Temperature Sensor Output A/D Conversion Select)

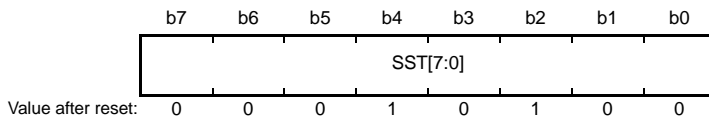
The TSS bit selects A/D conversion for the temperature sensor output. When A/D conversion of the temperature sensor output is to be performed, all the bits in ADANSA and the OCS bit should be set to 0 in single scan mode. The TSS bit should be set while the ADST bit in ADCSR is 0.

OCS Bit (Internal Reference Voltage A/D Conversion Select)

The OCS bit selects A/D conversion for the internal reference voltage. When A/D conversion of the internal reference voltage is to be performed, all the bits in ADANSA and the TSS bit should be set to 0 in single scan mode. The OCS bit should be set while the ADST bit is 0.

33.2.14 A/D Sampling State Register n (ADSSTRn) (n = 0 to 7, L, T, O)

Address: ADSSTR0: 0008 9060h, ADSSTR1: 0008 9073h, ADSSTR2: 0008 9074h, ADSSTR3: 0008 9075h,
ADSSTR4: 0008 9076h, ADSSTR5: 0008 9077h, ADSSTR6: 0008 9078h, ADSSTR7: 0008 9079h,
ADSSTRL: 0008 9061h, ADSSTRT: 0008 9070h, ADSSTRO: 0008 9071h



Bit	Symbol	Bit Name	Description	R/W
b7 to b0	SST[7:0]	Sampling Time Setting	Sets the sampling time (12 to 255 states).	R/W

ADSSTRn sets the sampling time for analog input.

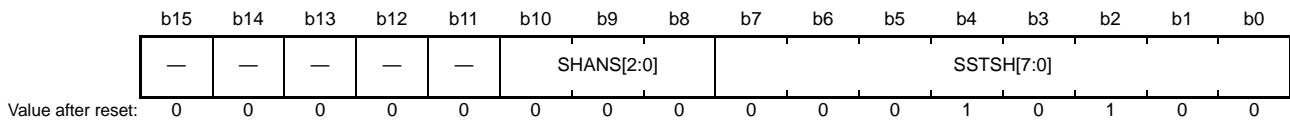
One state is one ADCLK (A/D conversion clock) cycle. When the ADCLK is 50 MHz, one state is 20 ns. The initial value is 20 states. If the impedance of the analog input signal source is too high to secure sufficient sampling time or if the ADCLK is slow, the sampling time can be adjusted. ADSSTRn should be set while the ADST bit in ADCSR is 0. The set value for sampling time should be 12 or more states and 255 or less states. The sampling time should be 0.4 μ s or longer. Table 33.7 shows the A/D sampling state registers and corresponding channels.

Table 33.7 A/D Sampling State Registers and Corresponding Channels

Bit Name	Corresponding Channels
ADSSTR0.SST[7:0]	AN000/self-diagnosis
ADSSTR1.SST[7:0]	AN001
ADSSTR2.SST[7:0]	AN002
ADSSTR3.SST[7:0]	AN003
ADSSTR4.SST[7:0]	AN004
ADSSTR5.SST[7:0]	AN005
ADSSTR6.SST[7:0]	AN006
ADSSTR7.SST[7:0]	AN007
ADSSTRL.SST[7:0]	AN008 to AN015
ADSSTRT.SST[7:0]	Temperature sensor output
ADSSTRO.SST[7:0]	Internal reference voltage

33.2.15 A/D Sample and Hold Circuit Control Register (ADSHCR)

Address: 0008 9066h



Bit	Symbol	Bit Name	Description	R/W
b7 to b0	SSTSH[7:0]	Sampling Time Sample-and-Hold Circuit Setting	Set the sampling time (4 to 255 states).	R/W
b10 to b8	SHANS[2:0]	Channel-Dedicated Sample-and-Hold Circuit Bypass Select	Select whether to use or not use (bypass) AN000 to AN002 channel-dedicated sample-and-hold circuits. 0: Bypass the channel-dedicated sample-and-hold circuits. 1: Use the channel-dedicated sample-and-hold circuits.	R/W
b15 to b11	—	Reserved	These bits are read as 0. The write value should be 0.	R/W

ADSHCR sets the parameters related to channel-dedicated sample-and-hold circuits.

SSTSH[7:0] Bits (Sampling Time Sample-and-Hold Circuit Setting)

The SSTSH[7:0] bits set the sampling time for the channel-dedicated sample-and-hold circuits. One state is one ADCLK (A/D conversion clock) cycle. When the ADCLK is 50 MHz, one state is 20 ns. The initial value is 20 states. If the impedance of the analog input signal source is too high to secure sufficient sampling time or if the ADCLK is slow, the sampling time can be adjusted. The SSTSH[7:0] bits should be set while the ADST bit in ADCSR is 0. The set value for sampling time should be 4 or more states and 255 or less states. The sampling time should be 0.4 μ s or longer. For example, when the ADCLK is 25 MHz, the lower limit of the set value for sampling states is 10 states.

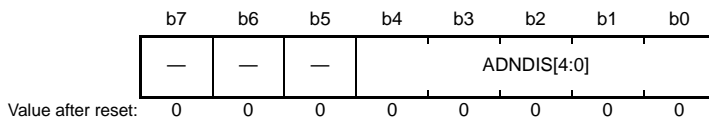
SHANS[2:0] Bits (Channel-Dedicated Sample-and-Hold Circuit Bypass Select)

The SHANS[2:0] bits select whether to use or not use (bypass) AN000 to AN002 channel-dedicated sample-and-hold circuits. The SHANS[0] bit selects AN000, SHANS[1] bit selects AN001, and SHANS[2] bit selects AN002. The SHANS[2:0] bits should be set while the ADST bit in ADCSR is 0.

If AVCC0 is less than 2.7 V, channel-dedicated sample-and-hold circuits do not operate; the SHANS[2:0] bits should be set to 000b in this case.

33.2.16 A/D Disconnecting Detection Control Register (ADDISCR)

Address: 0008 907Ah



Bit	Symbol	Bit Name	Description	R/W
b4 to b0	ADNDIS[4:0]	Disconnection Detection Assist Setting	Set the disconnection detection assist function.	R/W
b7 to b5	—	Reserved	These bits are read as 0. The write value should be 0.	R/W

ADDISCR sets the disconnection detection assist function.

ADNDIS[4:0] Bits (Disconnection Detection Assist Setting)

The ADNDIS[4:0] bits select precharging or discharging of the disconnection detection assist function and set the precharging or discharging time. Setting the ADNDIS[4] bit to 1 selects precharging and setting ADNDIS[4] to 0 selects discharging. The ADNDIS[3:0] bits set the precharging or discharging time. When the ADNDIS[3:0] bits are set to 0000b, the disconnection detection assist function is disabled. When the ADNDIS[3:0] bits are set to any value other than 0000b, the set value is interpreted as the number of states, that is, the precharging or discharging time.

When the temperature sensor output or the internal reference voltage is to be converted, the disconnection detection assist function is not available; the ADNDIS[4:0] bits should be set to 00000b in this case.

33.3 Operation

33.3.1 Scanning Operation

In scanning, A/D conversion is performed sequentially on the analog inputs of the specified channels.

A scan conversion is performed in three operating modes: single scan mode, continuous scan mode, and group scan mode. In single scan mode, one or more specified channels are scanned once. In continuous scan mode, one or more specified channels are scanned repeatedly until the ADST bit in ADCSR is cleared to 0 from 1 by software. In group scan mode, the selected channels of group A and the selected channels of group B are scanned once after starting to be scanned according to the respective triggers.

In single scan mode and continuous scan mode, A/D conversion is performed for ANn channels selected by the ADANSA register, starting from the channel with the smallest number n. In group scan mode, A/D conversion is performed for ANn channels of group A and group B selected by the ADANSA and ADANSB registers, respectively, starting from the channel with the smallest number n.

When self-diagnosis is selected, it is executed once at the beginning of each scan, and one of the three voltages internally generated in the 12-bit A/D converter is converted.

When the temperature sensor output or the internal reference voltage is selected, single scan mode should be used for A/D conversion.

Double trigger mode is to be used with single scan mode or group scan mode. With double trigger mode being enabled, A/D conversion data of a channel selected by the DBLANS[4:0] bits in ADCSR is duplicated only if the conversion is started by any of the MTU or ELC triggers selected by TRSA[3:0] bits in ADSTRGR.

When any of AN000 to AN002 channels is set by the SHANS[2:0] bits in ADSHCR so that the channel uses a channel-dedicated sample-and-hold circuit, the set analog input is sampled and held before the first A/D conversion of each scan.

33.3.2 Single Scan Mode

33.3.2.1 Basic Operation (Channel-Dedicated Sample-and-Hold Circuits not Used)

In basic operation of single scan mode, A/D conversion is performed once on the analog input of the specified channels as below. In selected channel scanning, temperature sensor output A/D conversion select bit (TSS) and internal reference voltage A/D conversion select bit (OCS) in ADEXICR should both be set to 0 (non-selection).

- (1) When the ADST bit in ADCSR is set to 1 (A/D conversion start) by software, synchronous trigger (MTU or ELC), or asynchronous trigger input, A/D conversion is performed for ANn channels selected by the ADANSA register, starting from the channel with the smallest number n.
- (2) Each time A/D conversion of a single channel is completed, the A/D conversion result is stored into the corresponding A/D data register (ADDRy).
- (3) When A/D conversion of all the selected channels is completed, an S12ADI0 interrupt request is generated if the ADIE bit in ADCSR is 1 (S12ADI0 interrupt upon scanning completion enabled).
- (4) The ADST bit remains 1 (A/D conversion start) during A/D conversion, and is automatically cleared to 0 when A/D conversion of all the selected channels is completed. Then the 12-bit A/D converter enters a wait state.

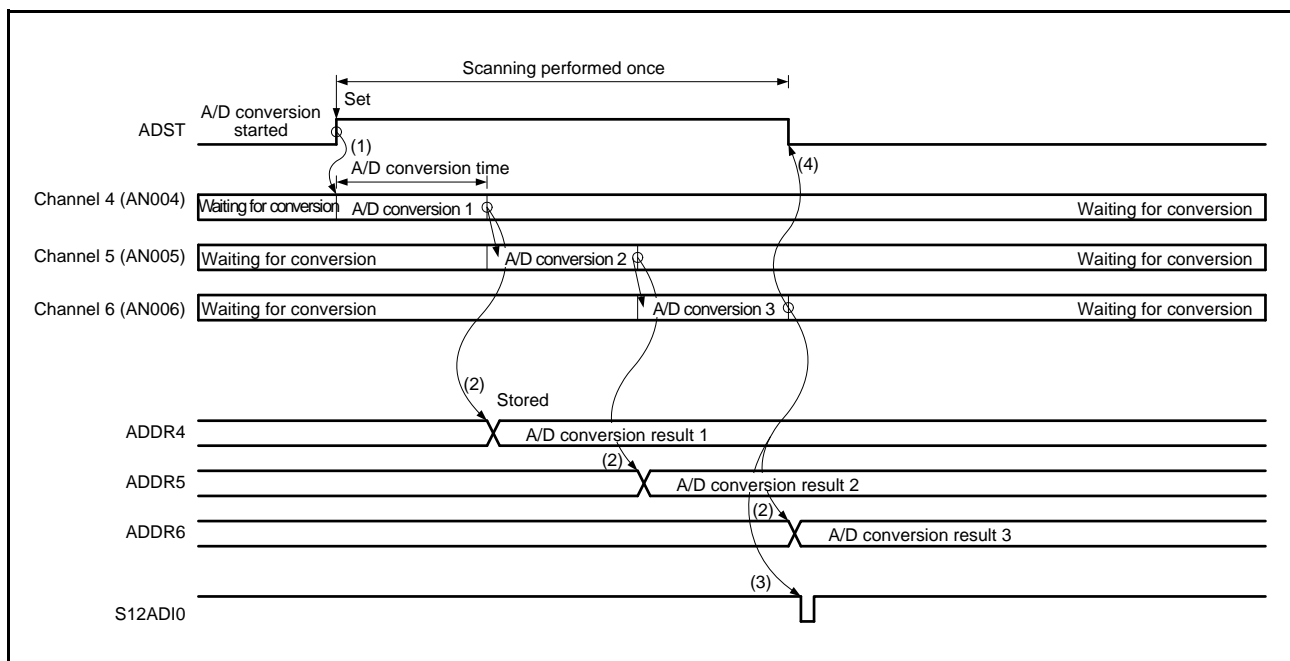


Figure 33.3 Example of Operation in Single Scan Mode (Basic Operation: AN004 to AN006 Selected)

33.3.2.2 Basic Operation (Channel-Dedicated Sample-and-Hold Circuits Used)

When the channel-dedicated sample-and-hold circuit is used, sample-and-hold operation is first performed, and then A/D conversion is performed once on the analog input of all the selected channels as below. The channels whose channel-dedicated sample-and-hold circuit is to be used can be selected by SHANS[2:0] bits in ADSHCR.

In selected channel scanning, temperature sensor output A/D conversion select bit (TSS) and internal reference voltage A/D conversion select bit (OCS) in ADEXICR should both be set to 0 (non-selection).

- (1) Analog input sampling of all the channels whose channel-dedicated sample-and-hold circuit is to be used is started when the ADST bit in ADCSR is set to 1 (A/D conversion start) by software, synchronous trigger (MTU or ELC), or asynchronous trigger input.
- (2) After sample-and-hold operation, A/D conversion is performed for ANn channels selected by the ADANSA register, starting from the channel with the smallest number n.
- (3) Each time A/D conversion of a single channel is completed, the A/D conversion result is stored into the corresponding A/D data register (ADDRy).
- (4) When A/D conversion of all the selected channels is completed, an S12ADI0 interrupt request is generated if the ADIE bit in ADCSR is 1 (S12ADI0 interrupt upon scanning completion enabled).
- (5) The ADST bit remains 1 (A/D conversion start) during A/D conversion, and is automatically cleared to 0 when A/D conversion of all the selected channels is completed. Then the 12-bit A/D converter enters a wait state.

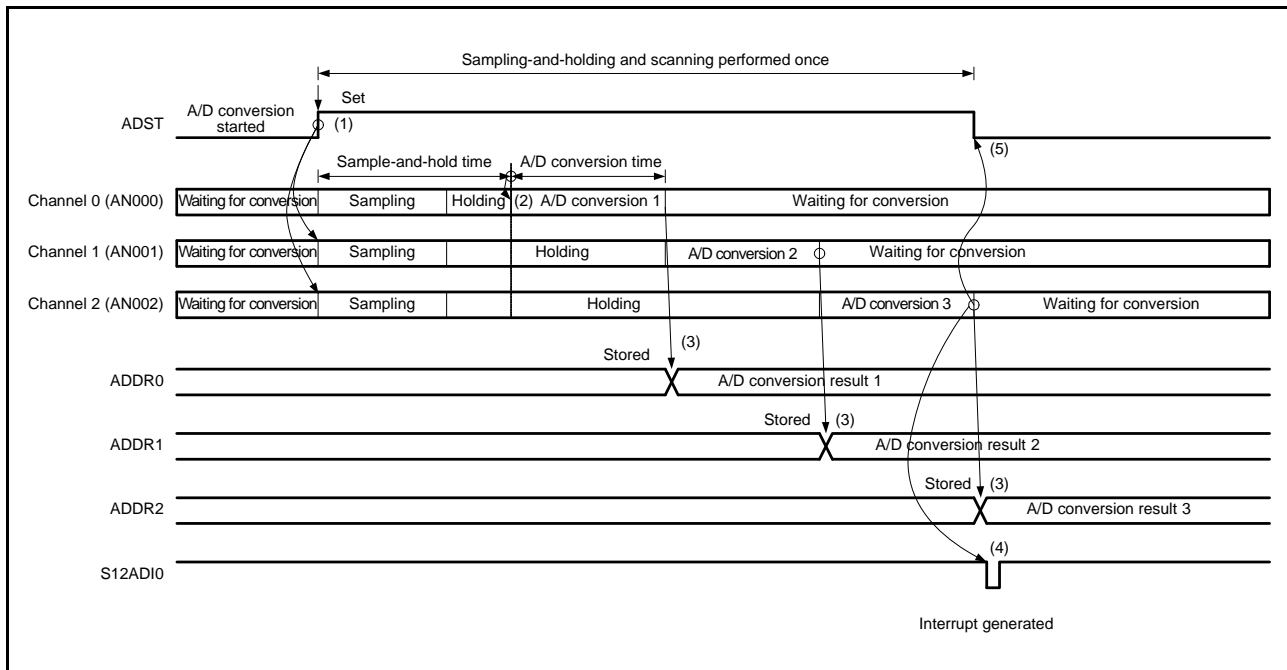


Figure 33.4 Example of Operation in Single Scan Mode (Channel-Dedicated Sample-and-Hold Circuits Used)

33.3.2.3 Channel Selection and Self-Diagnosis (Channel-Dedicated Sample-and-Hold Circuits not Used)

When channels and self-diagnosis are selected, A/D conversion is first performed for the self-diagnosis voltage ($V_{REFH0} \times 0$, $V_{REFH0} \times 1/2$, or $V_{REFH0} \times 1$) generated from the reference power supply voltage (V_{REFH0}) supplied to the 12-bit A/D converter, and then A/D conversion is performed once on the analog input of the selected channels as below.

In selected channel scanning, temperature sensor output A/D conversion select bit (TSS) and internal reference voltage A/D conversion select bit (OCS) in ADEXICR should both be set to 0 (non-selection).

- (1) A/D conversion for self-diagnosis is first started when the ADST bit in ADCSR is set to 1 (A/D conversion start) by software, synchronous trigger (MTU or ELC), or asynchronous trigger input.
- (2) When A/D conversion for self-diagnosis is completed, the A/D conversion result is stored into the A/D self-diagnosis data register (ADRD). A/D conversion is then performed for ANn channels selected by the ADANSA register, starting from the channel with the smallest number n.
- (3) Each time A/D conversion of a single channel is completed, the A/D conversion result is stored into the corresponding A/D data register (ADDRy).
- (4) When A/D conversion of all the selected channels is completed, an S12ADI0 interrupt request is generated if the ADIE bit in ADCSR is 1 (S12ADI0 interrupt upon scanning completion enabled).
- (5) The ADST bit remains 1 (A/D conversion start) during A/D conversion, and is automatically cleared to 0 when A/D conversion of all the selected channels is completed. Then the 12-bit A/D converter enters a wait state.

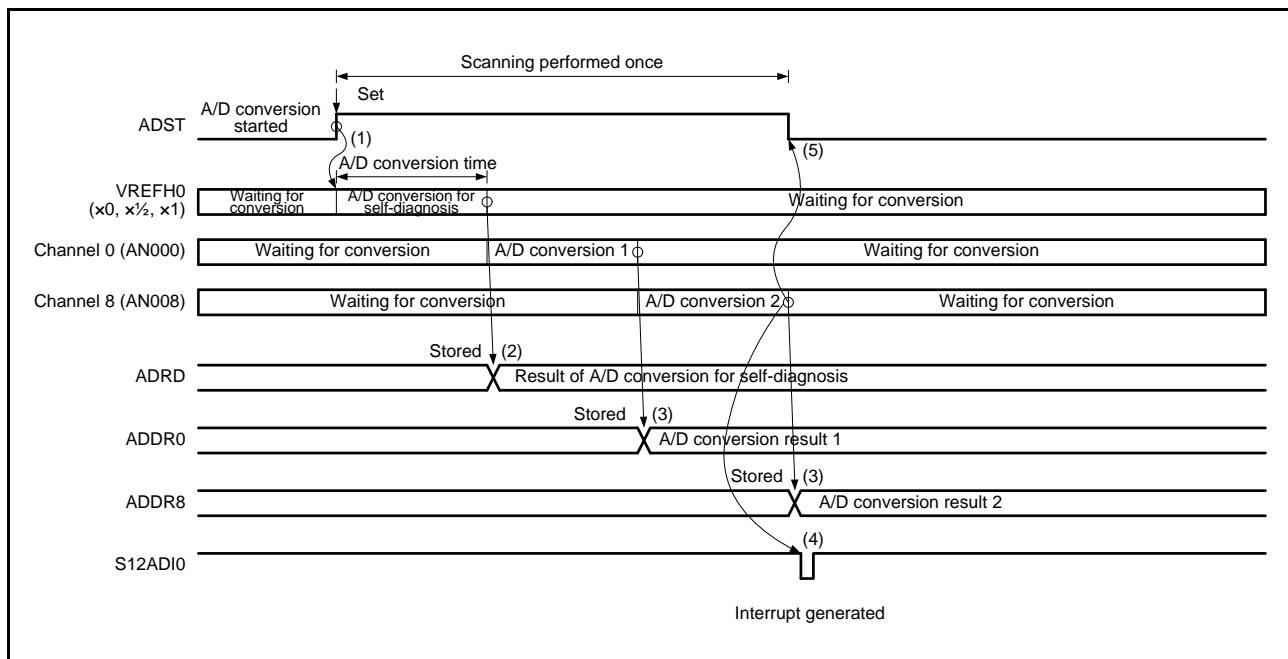


Figure 33.5 Example of Operation in Single Scan Mode (Basic Operation + Self-Diagnosis)

33.3.2.4 Channel Selection and Self-Diagnosis (Channel-Dedicated Sample-and-Hold Circuits Used)

When channels and self-diagnosis are selected and the channel-dedicated sample-and-hold circuit is used, sample-and-hold operation is first performed, and then A/D conversion is performed once for the self-diagnosis voltage ($V_{REFH0} \times 0$, $V_{REFH0} \times 1/2$, or $V_{REFH0} \times 1$) generated from the reference power supply voltage (V_{REFH0}) supplied to the 12-bit A/D converter as below. After that, A/D conversion is performed only once on the analog input of the selected channels. In selected channel scanning, temperature sensor output A/D conversion select bit (TSS) and internal reference voltage A/D conversion select bit (OCS) in ADEXICR should both be set to 0 (non-selection).

- (1) Analog input sampling of all the channels whose channel-dedicated sample-and-hold circuit is to be used is started when the ADST bit in ADCSR is set to 1 (A/D conversion start) by software, synchronous trigger (MTU or ELC), or asynchronous trigger input.
- (2) After sample-and-hold operation, A/D conversion for self-diagnosis is started.
- (3) When A/D conversion for self-diagnosis is completed, the A/D conversion result is stored into the A/D self-diagnosis data register (ADDRD). A/D conversion is then performed for ANn channels selected by the ADANSA register, starting from the channel with the smallest number n.
- (4) Each time A/D conversion of a single channel is completed, the A/D conversion result is stored into the corresponding A/D data register (ADDRy).
- (5) When A/D conversion of all the selected channels is completed, an S12ADI0 interrupt request is generated if the ADIE bit in ADCSR is 1 (S12ADI0 interrupt upon scanning completion enabled).
- (6) The ADST bit remains 1 (A/D conversion start) during A/D conversion, and is automatically cleared to 0 when A/D conversion of all the selected channels is completed. Then the 12-bit A/D converter enters a wait state.

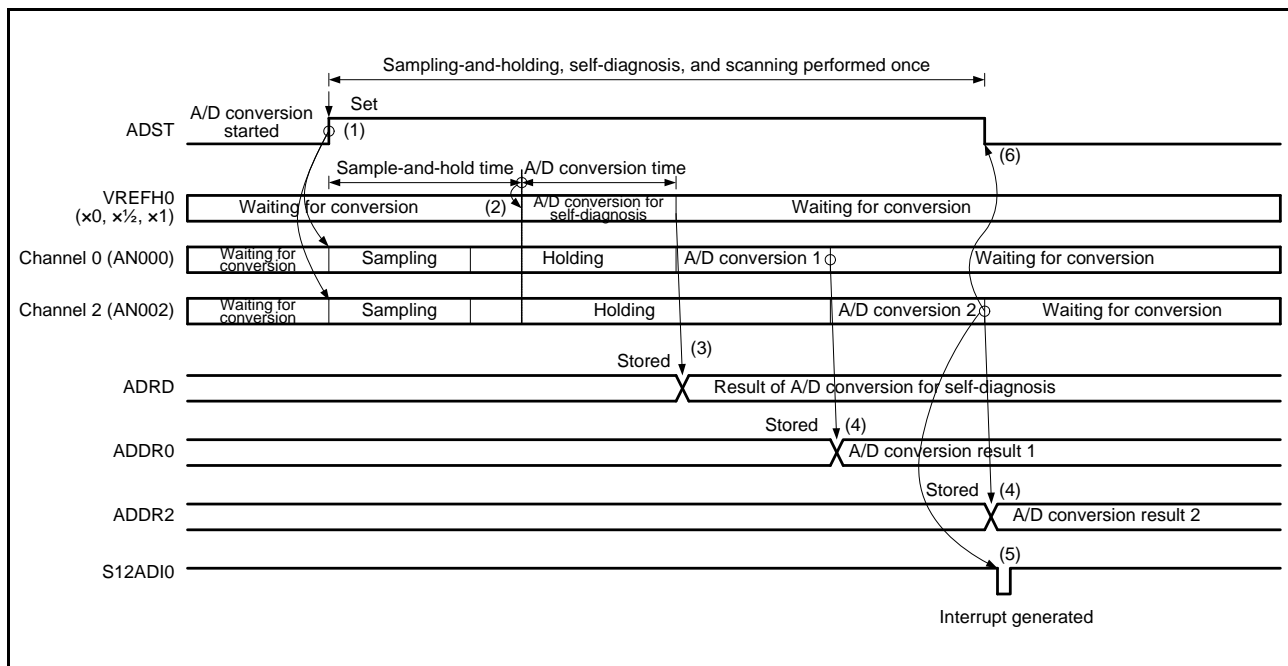


Figure 33.6 Example of Operation in Single Scan Mode (Channel-Dedicated Sample-and-Hold Circuits Used + Self-Diagnosis)

33.3.2.5 A/D Conversion when Temperature Sensor Output is Selected

A/D conversion of the temperature sensor output should be performed in single scan mode. The operation is as follows. All the channels should be deselected (set the ANSA[15:0] bits in ADANSA to 0000h and DBLE bit in ADCSR to 0) and self-diagnosis should be deselected. The internal reference voltage A/D conversion select bit (OCS) in ADEXICR should also be set to 0 (non-selection).

- (1) When the ADST bit in ADCSR is set to 1 (A/D conversion start) by the trigger from the temperature sensor, A/D conversion is started for the temperature sensor output.
- (2) When A/D conversion is completed, the A/D conversion result is stored into the A/D temperature sensor data register (ADTSDR). If the ADIE bit in ADCSR is 1 (S12ADI0 interrupt upon scanning completion enabled), an S12ADI0 interrupt request is generated.
- (3) The ADST bit remains 1 (A/D conversion start) during A/D conversion, and is automatically cleared to 0 when A/D conversion is completed. Then the 12-bit A/D converter enters a wait state.

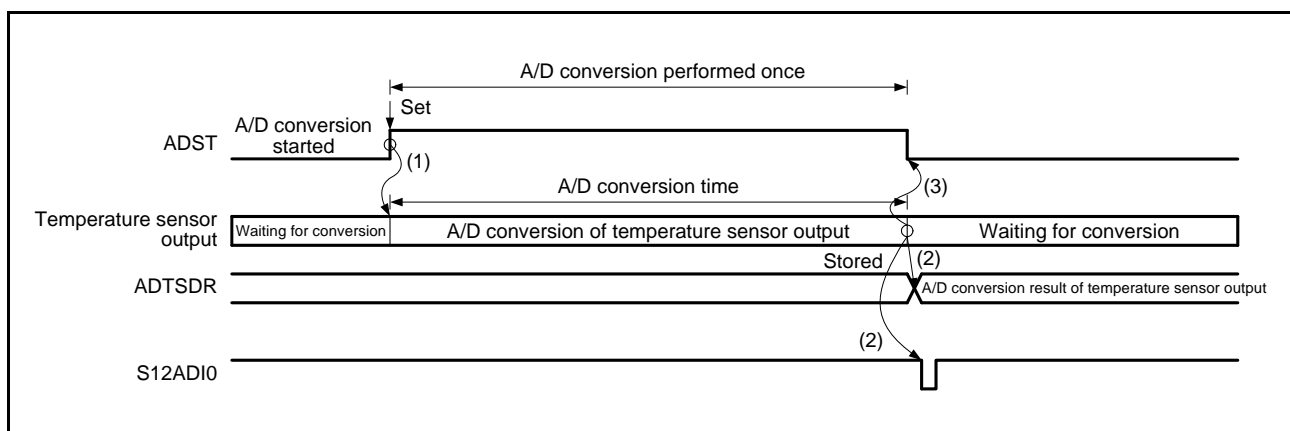


Figure 33.7 Example of Operation in Single Scan Mode (Temperature Sensor Output Selected)

33.3.2.6 A/D Conversion when Internal Reference Voltage is Selected

A/D conversion of the internal reference voltage should be performed in single scan mode. The operation is as follows. All the channels should be deselected (set the ANSA[15:0] bits in ADANSA to 0000h and DBLE bit in ADCSR to 0) and self-diagnosis should be deselected. The temperature sensor output A/D conversion select bit (TSS) in ADEXICR should also be set to 0 (non-selection).

- (1) When the ADST bit in ADCSR is set to 1 (A/D conversion start) by software, the synchronous trigger (MTU or ELC), or the asynchronous trigger input, A/D conversion is started for the internal reference voltage.
- (2) When A/D conversion is completed, the A/D conversion result is stored into the A/D internal reference voltage data register (ADOCDR). If the ADIE bit in ADCSR is 1 (S12ADI0 interrupt upon scanning completion enabled), an S12ADI0 interrupt request is generated.
- (3) The ADST bit remains 1 (A/D conversion start) during A/D conversion, and is automatically cleared to 0 when A/D conversion is completed. Then the 12-bit A/D converter enters a wait state.

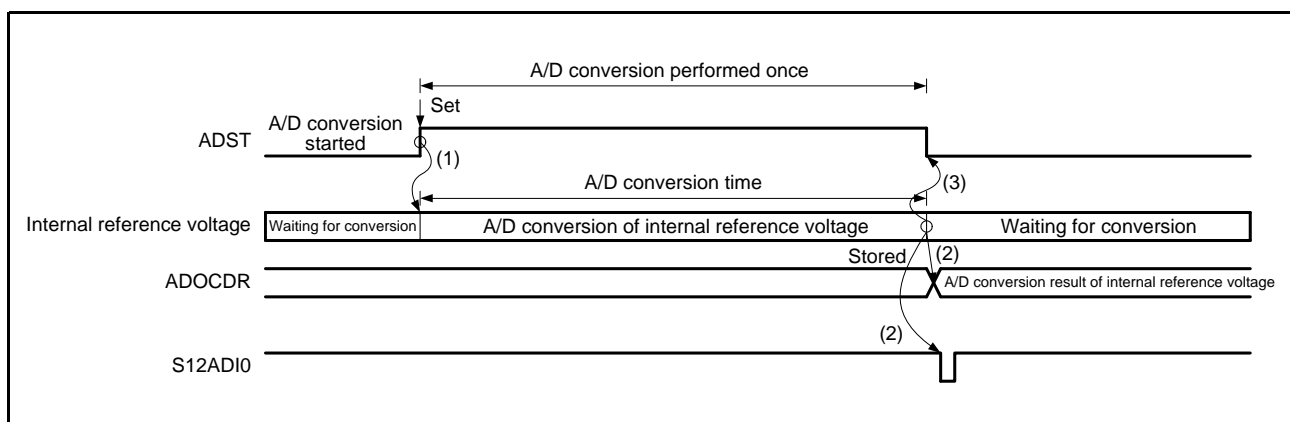


Figure 33.8 Example of Operation in Single Scan Mode (Internal Reference Voltage Selected)

33.3.2.7 A/D Conversion in Double Trigger Mode

In single scan mode with double trigger mode, single scan operation started by the MTU or ELC trigger is performed twice as below.

Self-diagnosis should be deselected, and the temperature sensor output A/D conversion select bit (TSS) and internal reference voltage A/D conversion select bit (OCS) in ADEXICR should both be set to 0 (non-selection).

Duplication of A/D conversion data is enabled by setting the channel numbers to be duplicated to the DBLANS[4:0] bits in ADCSR and setting the DBLE bit in ADCSR to 1. When the DBLE bit in ADCSR is set to 1, channel selection using the ADANSA register is invalid. In double trigger mode, MTU or ELC triggers should be selected using the TRSA[3:0] bits in ADSTRGR; the EXTRG bit and TRGE bit in ADCSR should be set to 0 and 1, respectively. Software trigger should not be used.

- (1) When the ADST bit in ADCSR is set to 1 (A/D conversion start) by the MTU or ELC trigger input, A/D conversion is started on the single channel selected by the DBLANS[4:0] bits in ADCSR.
- (2) When A/D conversion is completed, the A/D conversion result is stored into the corresponding A/D data register (ADDRy).
- (3) The ADST bit is automatically cleared to 0 and the 12-bit A/D converter enters a wait state. Here, an S12ADI0 interrupt request is not generated irrespective of the ADIE (S12ADI0 interrupt upon scanning completion enabled) bit setting in ADCSR.
- (4) When the ADST bit in ADCSR is set to 1 (A/D conversion start) by the second trigger input, A/D conversion is started on the single channel selected by the DBLANS[4:0] bits in ADCSR.
- (5) When A/D conversion is completed, the A/D conversion result is stored into the A/D data duplication register (ADDBLDR), which is exclusively used in double trigger mode.
- (6) If the ADIE bit in ADCSR is 1 (S12ADI0 interrupt upon scanning completion enabled), an S12ADI0 interrupt request is generated.
- (7) The ADST bit remains 1 (A/D conversion start) during A/D conversion, and is automatically cleared to 0 when A/D conversion is completed. Then the 12-bit A/D converter enters a wait state.

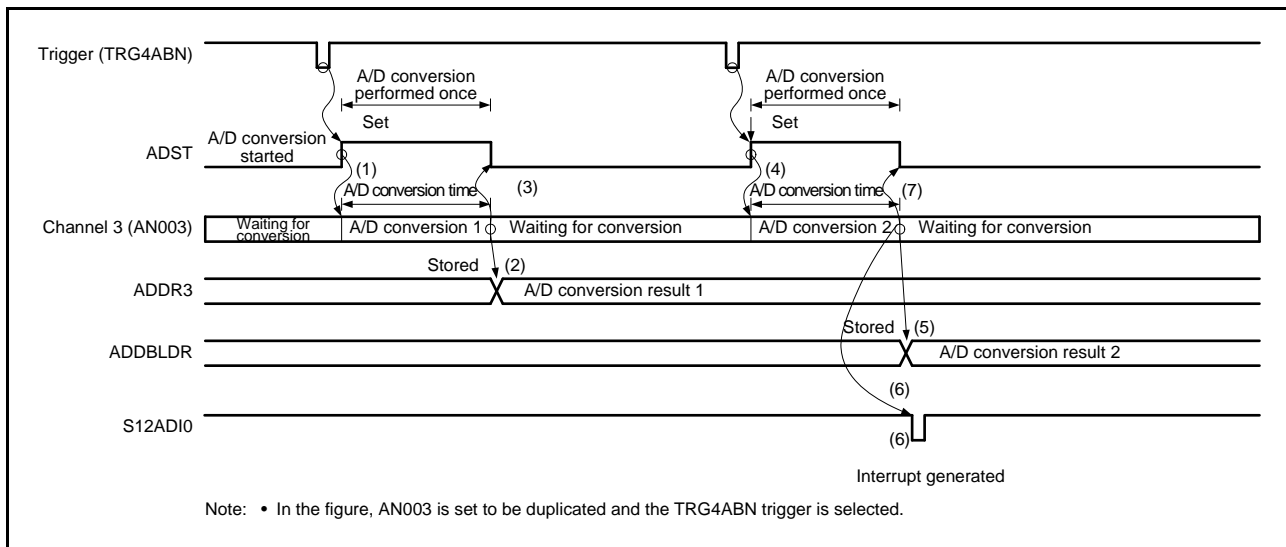


Figure 33.9 Example of Operation in Single Scan Mode (Double Trigger Mode Selected; AN003 Duplicated)

33.3.3 Continuous Scan Mode

33.3.3.1 Basic Operation (Channel-Dedicated Sample-and-Hold Circuits not Used)

In basic operation of continuous scan mode, A/D conversion is performed repeatedly on the analog input of the specified channels as below.

In continuous scan mode, the temperature sensor output A/D conversion select bit (TSS) and internal reference voltage A/D conversion select bit (OCS) in ADEXICR should both be set to 0 (non-selection).

- (1) When the ADST bit in ADCSR is set to 1 (A/D conversion start) by software, synchronous trigger (MTU or ELC), or asynchronous trigger input, A/D conversion is performed for ANn channels selected by the ADANSA register, starting from the channel with the smallest number n.
- (2) Each time A/D conversion of a single channel is completed, the A/D conversion result is stored into the corresponding A/D data register (ADDRy).
- (3) When A/D conversion of all the selected channels is completed, an S12ADI0 interrupt request is generated if the ADIE bit in ADCSR is 1 (S12ADI0 interrupt upon scanning completion enabled).

The 12-bit A/D converter sequentially starts A/D conversion for ANn channels selected by the ADANSA register, starting from the channel with the smallest number n.

- (4) The ADST bit in ADCSR is not automatically cleared to 0 and steps 2 and 3 are repeated as long as the bit remains 1 (A/D conversion start). When the ADST bit in ADCSR is set to 0 (A/D conversion stop), A/D conversion stops and the 12-bit A/D converter enters a wait state.
- (5) When the ADST bit is later set to 1 (A/D conversion start), A/D conversion is started again for ANn channels selected by the ADANSA register, starting from the channel with the smallest number n.

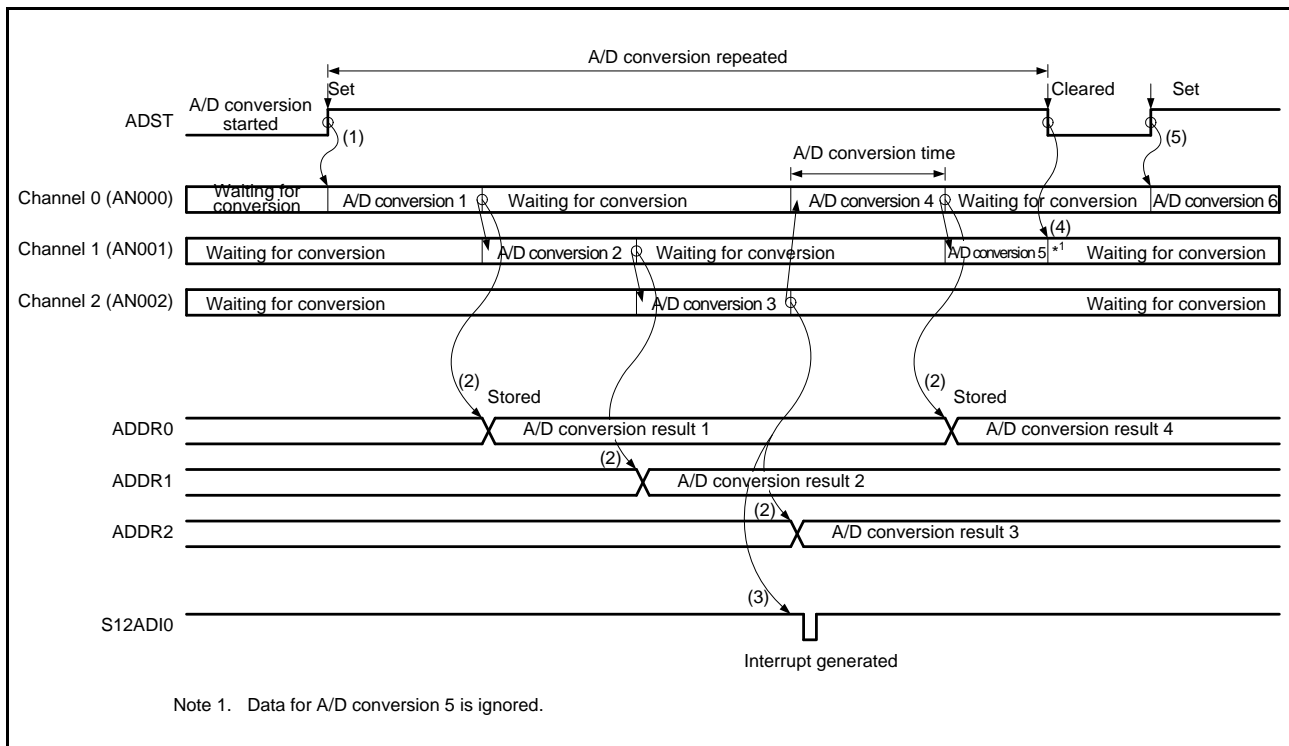


Figure 33.10 Example of Operation in Continuous Scan Mode (Basic Operation: AN000 to AN002 Selected)

33.3.3.2 Basic Operation (Channel-Dedicated Sample-and-Hold Circuits Used)

When the channel-dedicated sample-and-hold circuit is used, sample-and-hold operation is first performed, and then A/D conversion is repeated on the analog input of all the selected channels as below. The channels whose channel-dedicated sample-and-hold circuit is to be used can be selected by the SHANS[2:0] bits in ADSHCR.

In continuous scanning mode, temperature sensor output A/D conversion select bit (TSS) and internal reference voltage A/D conversion select bit (OCS) in ADEXICR should both be set to 0 (non-selection).

- (1) Analog input sampling of all the channels whose channel-dedicated sample-and-hold circuit is to be used is started when the ADST bit in ADCSR is set to 1 (A/D conversion start) by software or synchronous trigger (MTU or ELC) input.
- (2) After sample-and-hold operation, A/D conversion is performed for ANn channels selected by the ADANSA register, starting from the channel with the smallest number n.
- (3) Each time A/D conversion of a single channel is completed, the A/D conversion result is stored into the corresponding A/D data register (ADDRy).
- (4) When A/D conversion of all the selected channels is completed, an S12ADI0 interrupt request is generated if the ADIE bit in ADCSR is 1 (S12ADI0 interrupt upon scanning completion enabled). At the same time, analog input sampling is started for all the channels whose channel-dedicated sample-and-hold circuit is to be used.
- (5) The ADST bit is not automatically cleared to 0 and steps 2 to 4 are repeated as long as the bit remains 1. When the ADST bit is set to 0 (A/D conversion stop), A/D conversion stops and the 12-bit A/D converter enters a wait state.
- (6) When the ADST bit is later set to 1 (A/D conversion start), analog input sampling is started again for all the channels whose channel-dedicated sample-and-hold circuit is to be used.

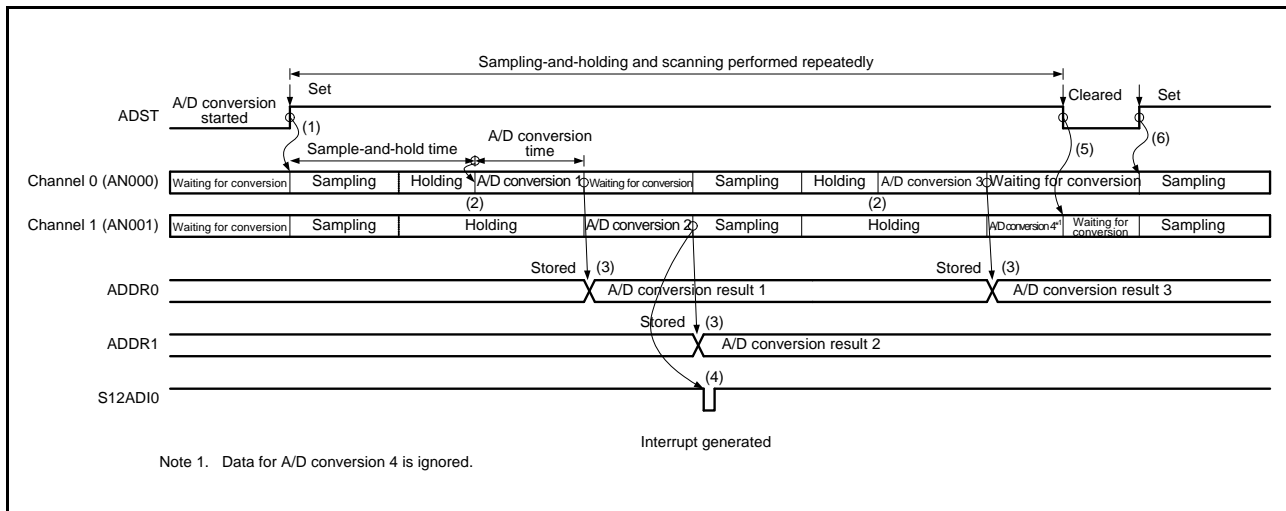


Figure 33.11 Example of Operation in Continuous Scan Mode (Channel-Dedicated Sample-and-Hold Circuits Used)

33.3.3.3 Channel Selection and Self-Diagnosis (Channel-Dedicated Sample-and-Hold Circuits not Used)

When channels and self-diagnosis are selected, A/D conversion is first performed for the self-diagnosis voltage ($V_{REFH0} \times 0$, $V_{REFH0} \times 1/2$, or $V_{REFH0} \times 1$) generated from the reference power supply voltage (V_{REFH0}) supplied to the 12-bit A/D converter, and then A/D conversion is performed on the analog input of the selected channels, for which the sequence is repeated as below.

In continuous scan mode, the temperature sensor output A/D conversion select bit (TSS) and internal reference voltage A/D conversion select bit (OCS) in ADEXICR should both be set to 0 (non-selection).

- (1) A/D conversion for self-diagnosis is first started when the ADST bit in ADCSR is set to 1 (A/D conversion start) by software, synchronous trigger (MTU or ELC), or asynchronous trigger input.
- (2) When A/D conversion for self-diagnosis is completed, the A/D conversion result is stored into the A/D self-diagnosis data register (ADRD). A/D conversion is then performed for ANn channels selected by the ADANSA register, starting from the channel with the smallest number n.
- (3) Each time A/D conversion of a single channel is completed, the A/D conversion result is stored into the corresponding A/D data register (ADDRy).
- (4) When A/D conversion of all the selected channels is completed, an S12ADI0 interrupt request is generated if the ADIE bit in ADCSR is 1 (S12ADI0 interrupt upon scanning completion enabled). At the same time, the 12-bit A/D converter starts A/D conversion for self-diagnosis and then starts A/D conversion on ANn channels selected by the ADANSA register, starting from the channel with the smallest number n.
- (5) The ADST bit is not automatically cleared to 0 and steps 2 to 4 are repeated as long as the bit remains 1. When the ADST bit is set to 0 (A/D conversion stop), A/D conversion stops and the 12-bit A/D converter enters a wait state.
- (6) When the ADST bit is later set to 1 (A/D conversion start), the A/D conversion for self-diagnosis is started again.

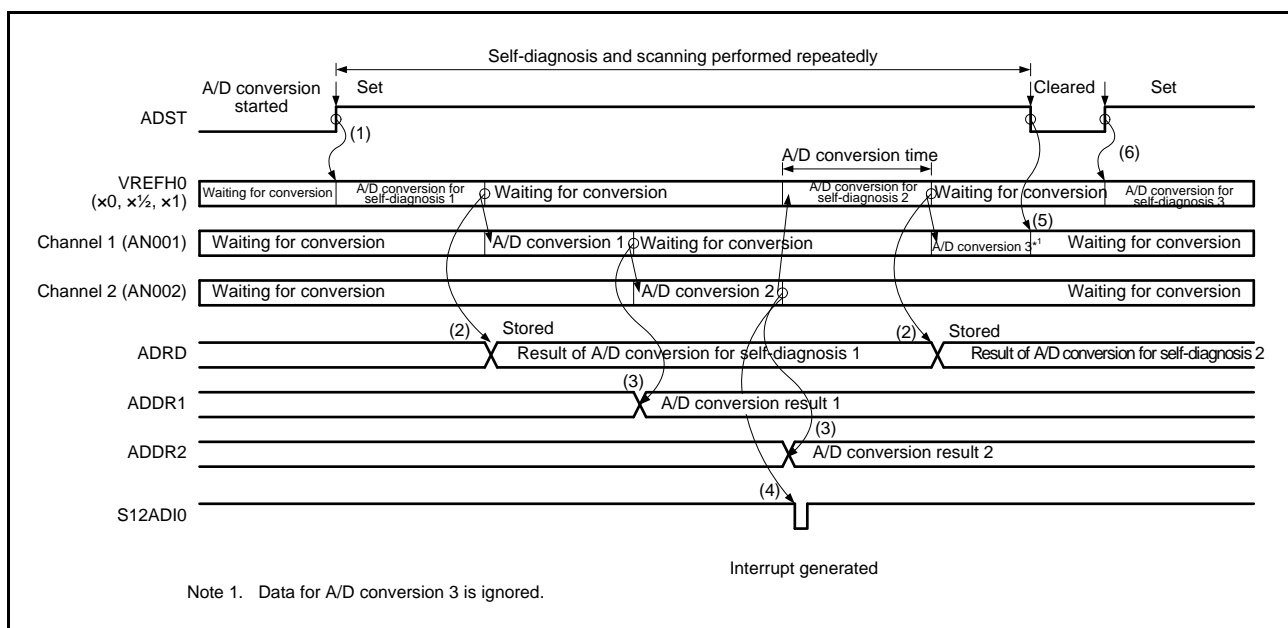


Figure 33.12 Example of Operation in Continuous Scan Mode (Basic Operation + Self-Diagnosis)

33.3.3.4 Channel Selection and Self-Diagnosis (Channel-Dedicated Sample-and-Hold Circuits Used)

When channels and self-diagnosis are selected and the channel-dedicated sample-and-hold circuit is used, sample-and-hold operation is first performed, and then A/D conversion is performed for the self-diagnosis voltage ($V_{REFH0} \times 0$, $V_{REFH0} \times 1/2$, or $V_{REFH0} \times 1$) generated from the reference power supply voltage (V_{REFH0}) supplied to the 12-bit A/D converter. After that, A/D conversion is performed on the analog input of the selected channels, for which the sequence is repeated as below.

In continuous scan mode, temperature sensor output A/D conversion select bit (TSS) and internal reference voltage A/D conversion select bit (OCS) in ADEXICR should both be set to 0 (non-selection).

- (1) Analog input sampling of all the channels whose channel-dedicated sample-and-hold circuit is to be used is started when the ADST bit in ADCSR is set to 1 (A/D conversion start) by software, synchronous trigger (MTU or ELC), or asynchronous trigger input.
- (2) After sample-and-hold operation, A/D conversion for self-diagnosis is started.
- (3) When A/D conversion for self-diagnosis is completed, the A/D conversion result is stored into the A/D self-diagnosis data register (ADRD). A/D conversion is then performed for ANn channels selected by the ADANSA register, starting from the channel with the smallest number n.
- (4) Each time A/D conversion of a single channel is completed, the A/D conversion result is stored into the corresponding A/D data register (ADDRy).
- (5) When A/D conversion of all the selected channels is completed, an S12ADI0 interrupt request is generated if the ADIE bit in ADCSR is 1 (S12ADI0 interrupt upon scanning completion enabled). At the same time, analog input sampling is started for all the channels whose channel-dedicated sample-and-hold circuit is to be used.
- (6) The ADST bit is not automatically cleared to 0 and steps 2 to 5 are repeated as long as the bit remains 1. When the ADST bit is set to 0 (A/D conversion stop), A/D conversion stops and the 12-bit A/D converter enters a wait state.
- (7) When the ADST bit is later set to 1 (A/D conversion start), analog input sampling is started again for all the channels whose channel-dedicated sample-and-hold circuit is to be used.

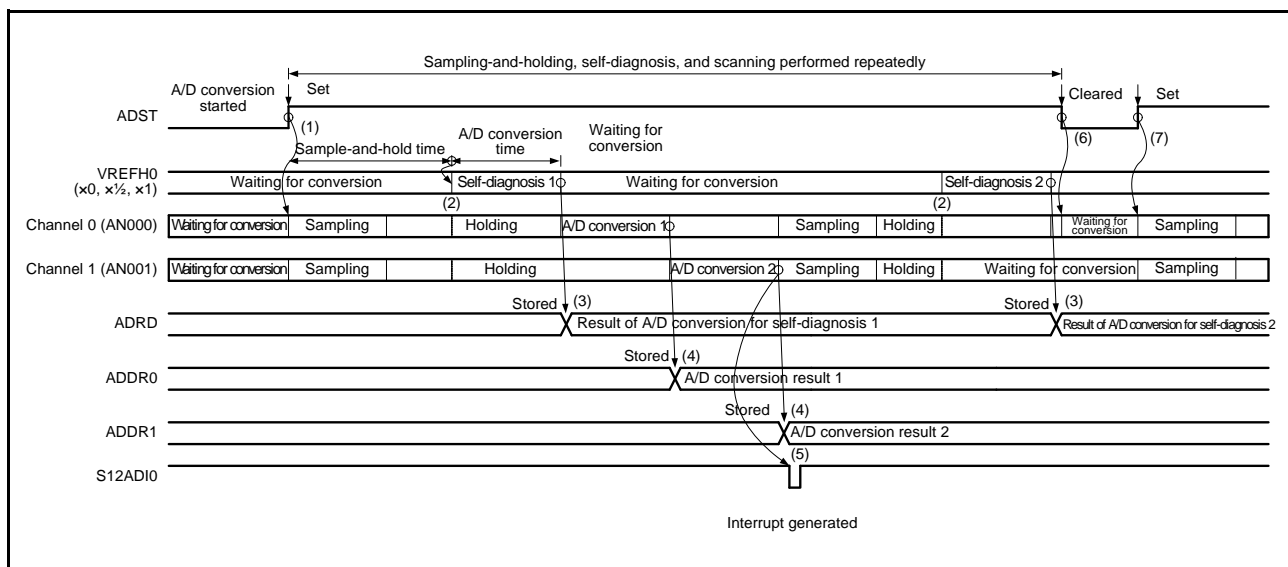


Figure 33.13 Example of Operation in Continuous Scan Mode (Channel-Dedicated Sample-and-Hold Circuits Used + Self-Diagnosis)

33.3.4 Group Scan Mode

33.3.4.1 Basic Operation

In basic operation of group scan mode, A/D conversion is performed once on the analog inputs of all the specified channels in group A and group B after scanning is started by the MTU or ELC trigger as below. Scan operation of each group is similar to the scan operation in single scan mode.

The group A trigger and group B trigger can be selected using the TRSA[3:0] and TRSB[3:0] bits in ADSTRGR, respectively. The different triggers should be used for group A and group B to prevent simultaneous A/D conversion of group A and group B. Software trigger should not be used.

The group A and group B channels to be A/D-converted are selected using the ADANSA register and ADANSB register, respectively. Group A and group B cannot use the same channels.

In group scan mode, the temperature sensor output A/D conversion select bit (TSS) and internal reference voltage A/D conversion select bit (OCS) in ADEXICR should both be set to 0 (non-selection).

When self-diagnosis is selected in group scan mode, self-diagnosis is separately executed for group A and group B.

The following describes operation in group scan mode using a trigger from the MTU. Specifically, the TRG4AN and TRG4BN triggers from the MTU are assumed to be used to start conversion of group A and group B, respectively.

- (1) Scanning of group A is started by the TRG4AN trigger from the MTU.
- (2) When group A scanning is completed, an S12ADI0 interrupt is output if the ADIE bit in ADCSR is 1 (S12ADI0 interrupt enabled).
- (3) Scanning of group B is started by the TRG4BN trigger from the MTU.
- (4) When group B scanning is completed, a GBADI interrupt is output if the GBADIE bit in ADCSR is 1 (GBADI interrupt enabled).

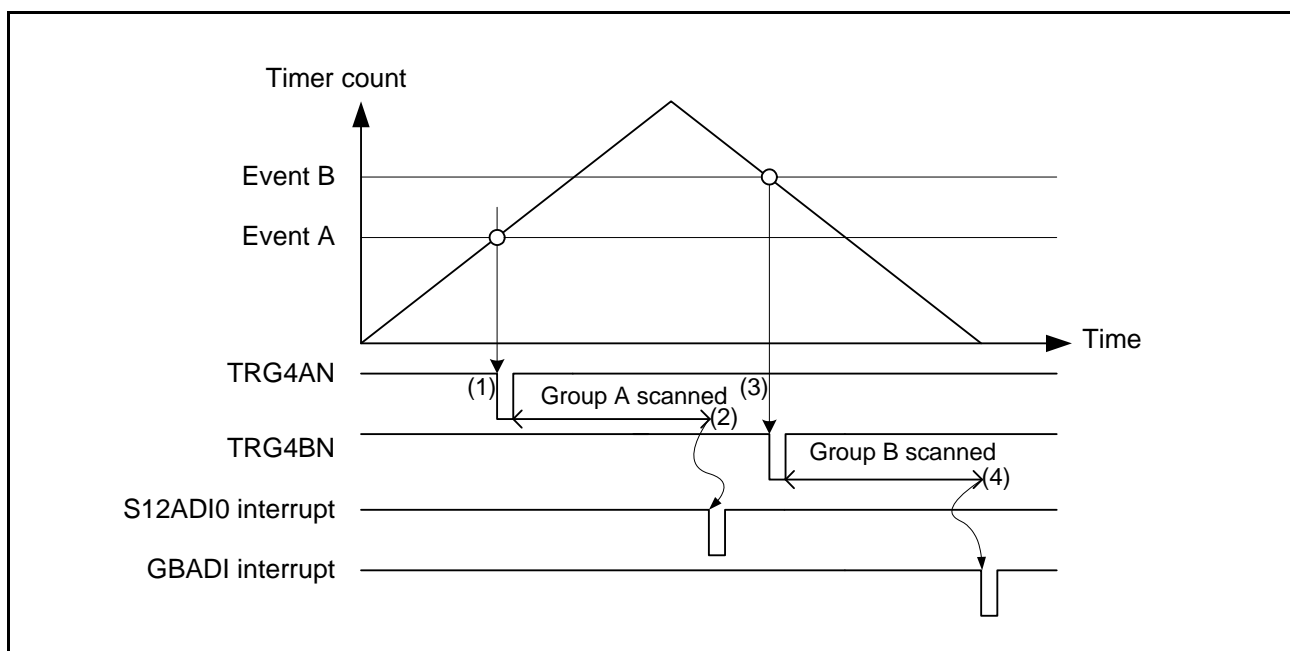


Figure 33.14 Example of Operation in Group Scan Mode (Basic Operation: MTU Triggers Used)

33.3.4.2 A/D Conversion in Double Trigger Mode

In group scan mode with double trigger mode, single scan operation started by the MTU or ELC trigger is performed twice for group A. For group B, single scan operation started by the MTU or ELC trigger is performed once.

In group scan mode, the group A trigger and group B trigger can be selected using the TRSA[3:0] and TRSB[3:0] bits in ADSTRGR, respectively. The different triggers should be used for group A and group B to prevent simultaneous A/D conversion of group A and group B. Software trigger, synchronous trigger (temperature sensor), or asynchronous trigger (ADTRG0#) should not be used.

The group A and group B channels to be A/D-converted are selected using the DBLANS[4:0] bits in ADCSR register and ADANSB register, respectively. The same channels cannot be selected for both groups.

In group scan mode, the temperature sensor output A/D conversion select bit (TSS) and internal reference voltage A/D conversion select bit (OCS) in ADEXICR should both be set to 0 (non-selection).

In group scan mode with double trigger mode, self-diagnosis cannot be selected.

Duplication of A/D conversion data is enabled by setting the channel numbers to be duplicated to the DBLANS[4:0] bits in ADCSR and setting the DBLE bit in ADCSR to 1.

The following describes operation in group scan mode with double trigger mode using a trigger from the MTU.

Specifically, the TRG4ABN and TRG0AN triggers from the MTU are assumed to be used to start conversion of group A and group B, respectively.

- (1) Scanning of group B is started by the TRG0AN trigger from the MTU.
- (2) When group B scanning is completed, a GBADI interrupt is output if the GBADIE bit in ADCSR is 1 (GBADI interrupt enabled).
- (3) The first scanning of group A is started by the first TRG4ABN trigger from the MTU.
- (4) When the first scanning of group A is completed, the conversion result is stored into ADDRy; an S12ADI0 interrupt request is not generated irrespective of the ADIE bit setting in ADCSR.
- (5) The second scanning of group A is started by the second TRG4ABN trigger from the MTU.
- (6) When the second scanning of group A is completed, the conversion result is stored into ADDBLDR. An S12ADI0 interrupt is output if the ADIE bit is 1 (S12ADI0 interrupt enabled).

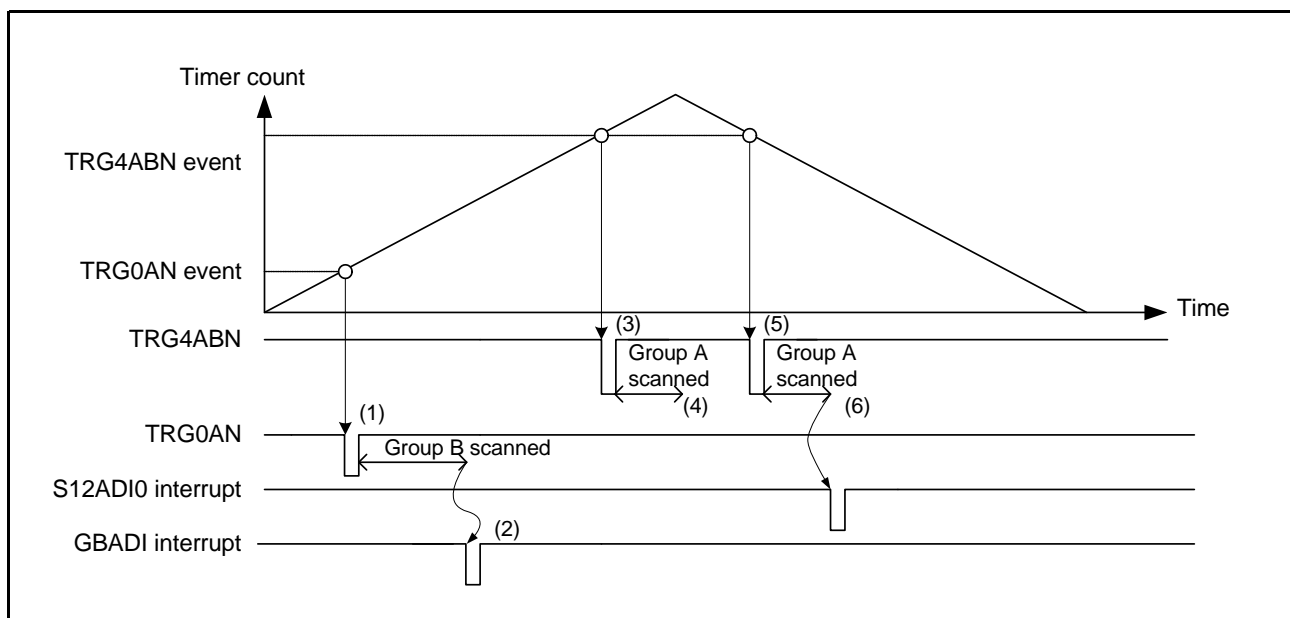


Figure 33.15 Example of Operation in Group Scan Mode with Double Trigger Mode (Basic Operation: MTU Triggers Used)

33.3.5 Analog Input Sampling and Scan Conversion Time

Scan conversion can be activated either by software trigger; the triggers from the MTU, ELC, or temperature sensor; or ADTRG0# (external trigger). After start-of-scanning-delay time (t_D) has passed, the A/D converter samples the channel-dedicated sample-and-hold circuits, executes the disconnection detection assist process, the conversion process for self-diagnosis, and then starts the A/D conversion process.

Figure 33.16 shows the scan conversion timing in single scan mode, in which scan conversion is activated by software trigger or triggers from the MTU, ELC, or temperature sensor. Figure 33.17 shows the scan conversion timing in single scan mode, in which scan conversion is activated by ADTRG0# (external trigger). The scan conversion time (t_{SCAN}) includes start-of-scanning-delay time (t_D), channel-dedicated sample-and-hold circuits sampling time (t_{SH})*¹, disconnection detection assist processing time (t_{DIS})*², self-diagnosis A/D conversion processing time (t_{DIAG})*³, A/D conversion processing time (t_{CONV}), channel-dedicated sample-and-hold circuit sampling-and-holding end time (t_{SHED})*⁴, and end-of-scanning-delay time (t_{ED}). Table 33.8 shows the specific scanning time.

The scan conversion time (t_{SCAN}) in single scan mode for which the number of selected channels is n can be determined as follows:

$$t_{SCAN} = t_D + t_{SH} + (t_{DIS} \times n) + t_{DIAG} + (t_{CONV} \times n) + t_{ED}$$

The scan conversion time for the first cycle in continuous scan mode is t_{SCAN} for single scan minus t_{ED} plus t_{SHED} .

The scan conversion time for the second and subsequent cycles in continuous scan mode is fixed to $t_{SH} + (t_{DIS} \times n) + t_{DIAG} + (t_{CONV} \times n) + t_{SHED}$.

The disconnection detection assist processing time (t_{DIS}) is the value set in the ADNDIS[3:0] bits.

The channel-dedicated sample-and-hold circuits sampling time (t_{SH}) is 10 states (fixed) + the value set in the ADSHCR.SSTSH[7:0] bits.

The self-diagnosis A/D conversion processing time (t_{DIAG}) is 30 states (fixed) + the value set in the ADSSTR0.SST[7:0] bits.

The A/D conversion processing time (t_{CONV}) is 30 states (fixed) + the value set in the ADSSTRn.SST[7:0] bits*⁵.

Note 1. When no channel-dedicated sample-and-hold circuits are used, $t_{SH} = 0$.

Note 2. When the disconnection detection assist function is not used, $t_{DIS} = 0$.

Note 3. When the self-diagnosis function is not used, $t_{DIAG} = 0$.

Note 4. When no channel-dedicated sample-and-hold circuits are used, $t_{SHED} = 0$. Here, continuous scan mode is assumed. In single scan mode and group scan mode, t_{SHED} is included in the end-of-scanning-delay time (t_{ED}).

Note 5. Registers in Table 33.7.

Table 33.8 Scan Conversion Time (in Terms of PCLK and ADCLK Cycles)

Item	Symbol	Conditions	Scan Conversion Time (Cycles)
Start-of-scanning-delay time*1	t_D	MTU, ELC, temperature sensor, or software trigger	2 PCLK + 4 ADCLK
		External trigger	4 PCLK + 4 ADCLK
Channel-dedicated sample-and-hold circuits sampling time	t_{SPL}	Set by ADSHCR.SSTSH[7:0] bits (initial value 14h)	30 ADCLK
Disconnection detection assist processing time	t_{DIS}	Set by ADNDIS[3:0] bits (initial value 00h)	0 ADCLK
Self-diagnosis A/D conversion processing time*1	t_{DIAG}	Set by ADSSTR0.SST[7:0] bits (initial value 14h)	50 ADCLK
A/D conversion processing time*1	t_{CONV}	Set by ADSSTRn.SST[7:0] bits (initial value 14h)	50 ADCLK
Channel-dedicated sample-and-hold circuit sampling-and-holding end time	t_{SHED}	—	2 ADCLK
End-of-scanning-delay time*1	t_{ED}	—	1 PCLK + 3 ADCLK
Scan conversion time*2	t_{SCAN}	—	5 PCLK + (50n + 87) ADCLK

Note 1. For t_D , t_{DIAG} , t_{CONV} , and t_{ED} , refer to Figure 33.16 and Figure 33.17.

Note 2. It is assumed that scan conversion is activated by the external trigger, channel-dedicated sample-and-hold circuits are used, disconnection detection assist function is deselected, self-diagnosis A/D conversion is selected, and single scan mode is selected. n indicates the number of channels.

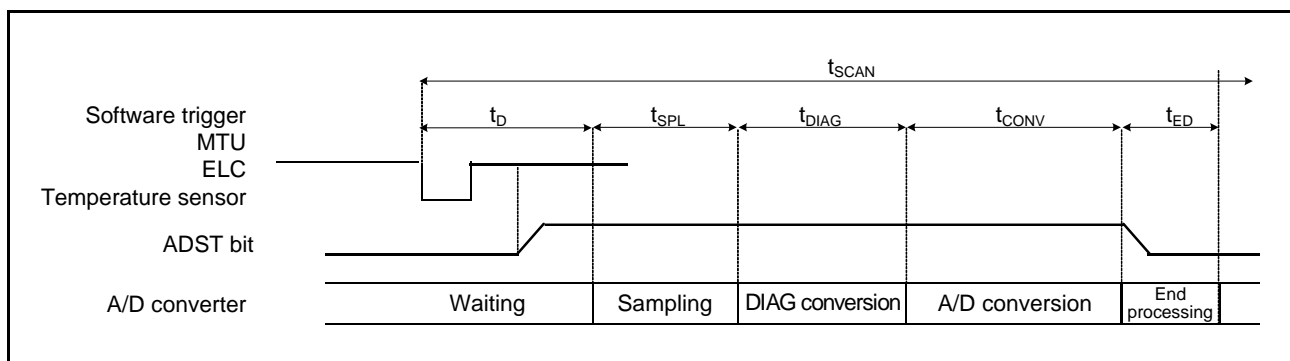


Figure 33.16 Scan Conversion Timing (Activated by Software, or Triggers from the MTU, ELC, or Temperature Sensor)

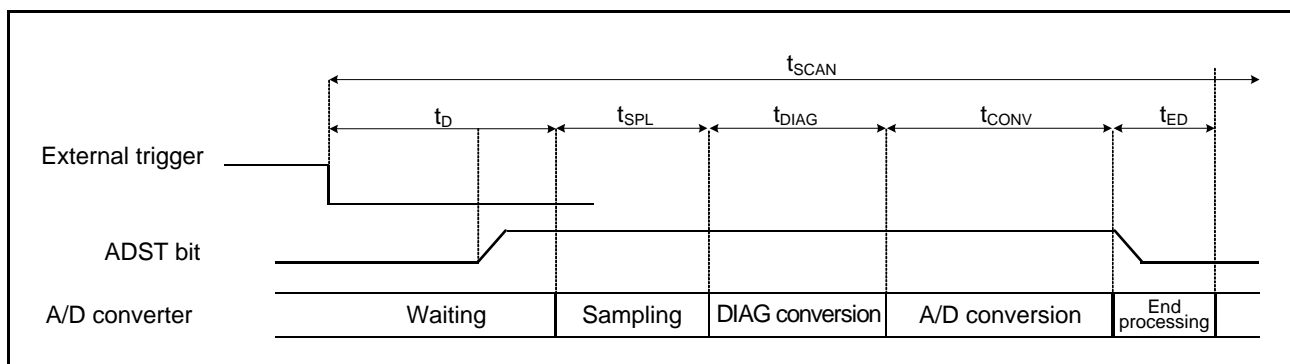


Figure 33.17 Scan Conversion Timing (Activated by ADTRG0#)

33.3.6 Usage Example of Automatic Register Clearing Function

Setting the ACE bit in ADCER to 1 automatically clears the A/D data registers (ADDRy, ADRD, ADTSDR, and ADCDR) to 0000h when the A/D data registers are read by the CPU, DTC, or DMAC.

This function enables detection of update failures of the A/D data registers. The following describes the examples in which the function to automatically clear the ADDRy register is enabled and disabled.

In a case where the ACE bit in ADCER is 0 (automatic clearing is disabled), if the A/D conversion result (0222h) is not written to the ADDRy register for some reason, the old data (0111h) will be the ADDRy value. Furthermore, if this ADDRy value is written to a general register using an A/D scan end interrupt, the old data (0111h) can be saved in the general register. When checking whether there is an update failure, it is necessary to frequently save the old data in the RAM or a general register.

In a case where the ACE bit in ADCER is 1 (automatic clearing is enabled), when ADDRy = 0111h is read by the CPU, DTC, or DMAC, ADDRy is automatically cleared to 0000h. After that, if the A/D conversion result 0222h cannot be transferred to ADDRy for some reason, the cleared data (0000h) remains as the ADDRy value. If this ADDRy value is read into a general register using an A/D scan end interrupt at this point, 0000h will be saved in the general register. Occurrence of an ADDRy update failure can be determined by simply checking that the read data value is 0000h.

33.3.7 A/D-Converted Value Addition Function

The same channel is A/D converted two to four consecutive times and the sum of the converted values is stored in the data register. The use of the average of these results can improve the accuracy of A/D conversion, depending on the types of noise components that are present. This function, however, cannot always guarantee an improvement in A/D conversion accuracy.

A/D-converted value addition function can be used for channel-selected analog input A/D conversion and internal reference voltage A/D conversion.

33.3.8 Disconnection Detection Assist Function

The charge of the sampling capacitors can be fixed to the specified level (VREFH0 or VREFL0) before A/D conversion. This function enables detection of disconnection of the wires connected to the analog inputs.

Figure 33.18 shows the A/D conversion when the disconnection detection assist function is used. Figure 33.19 shows the example of disconnection detection at the VREFH0 (precharge is selected) and Figure 33.20 shows the example of disconnection detection at the VREFL0 side (discharge is selected).

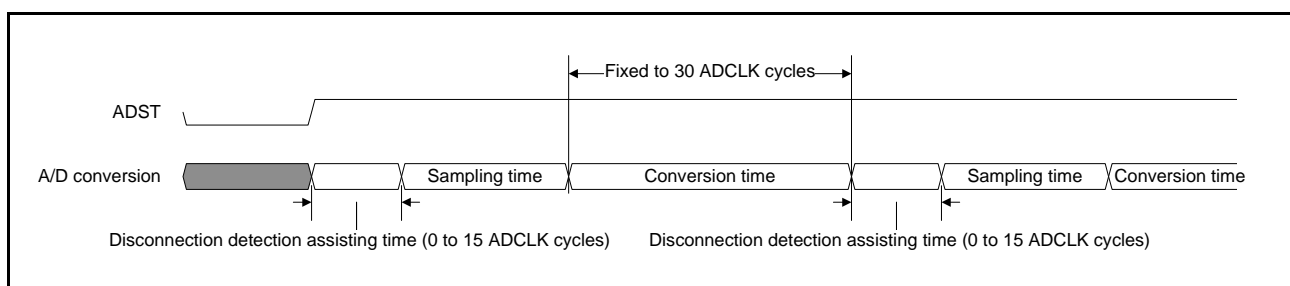


Figure 33.18 A/D Conversion with Disconnection Detection Assist Function Used

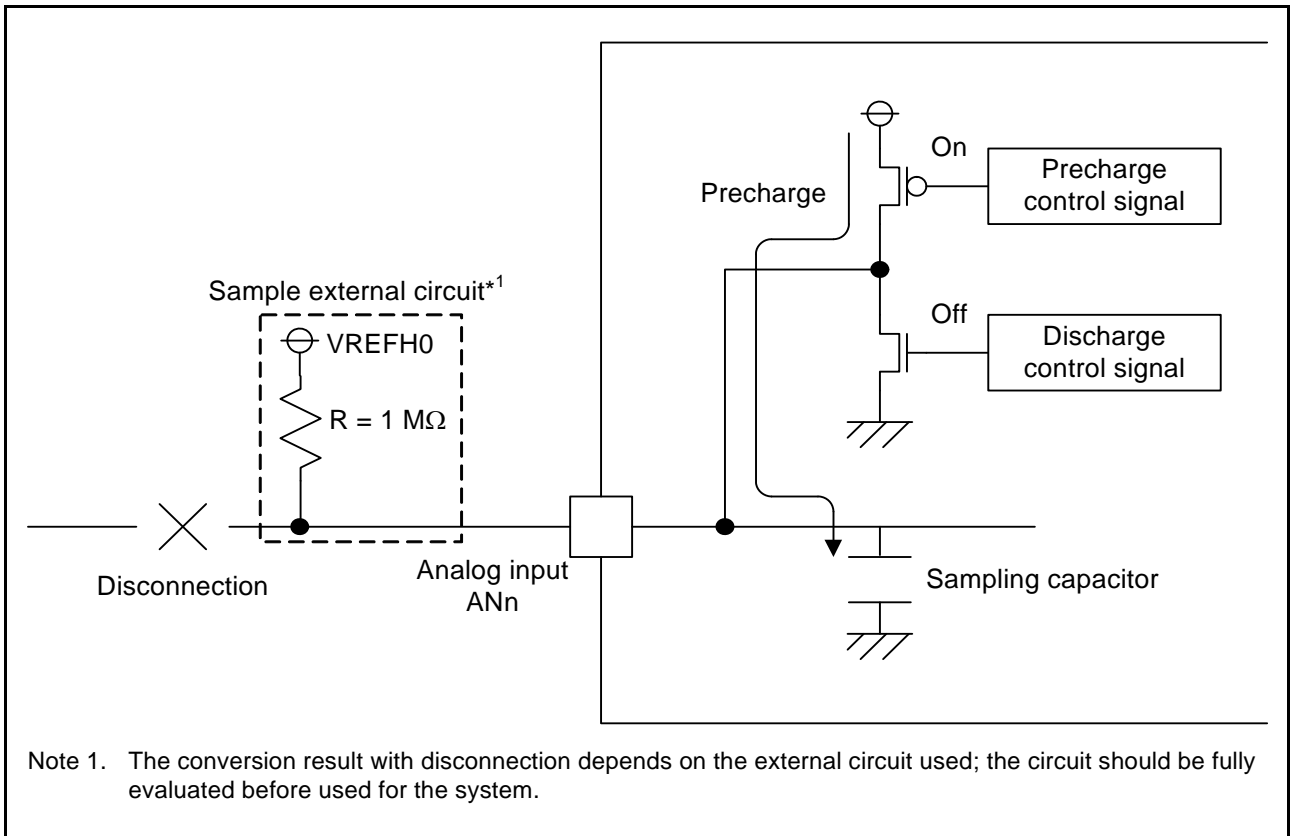


Figure 33.19 VREFH0 Disconnection Detection Example (Precharge Selected)

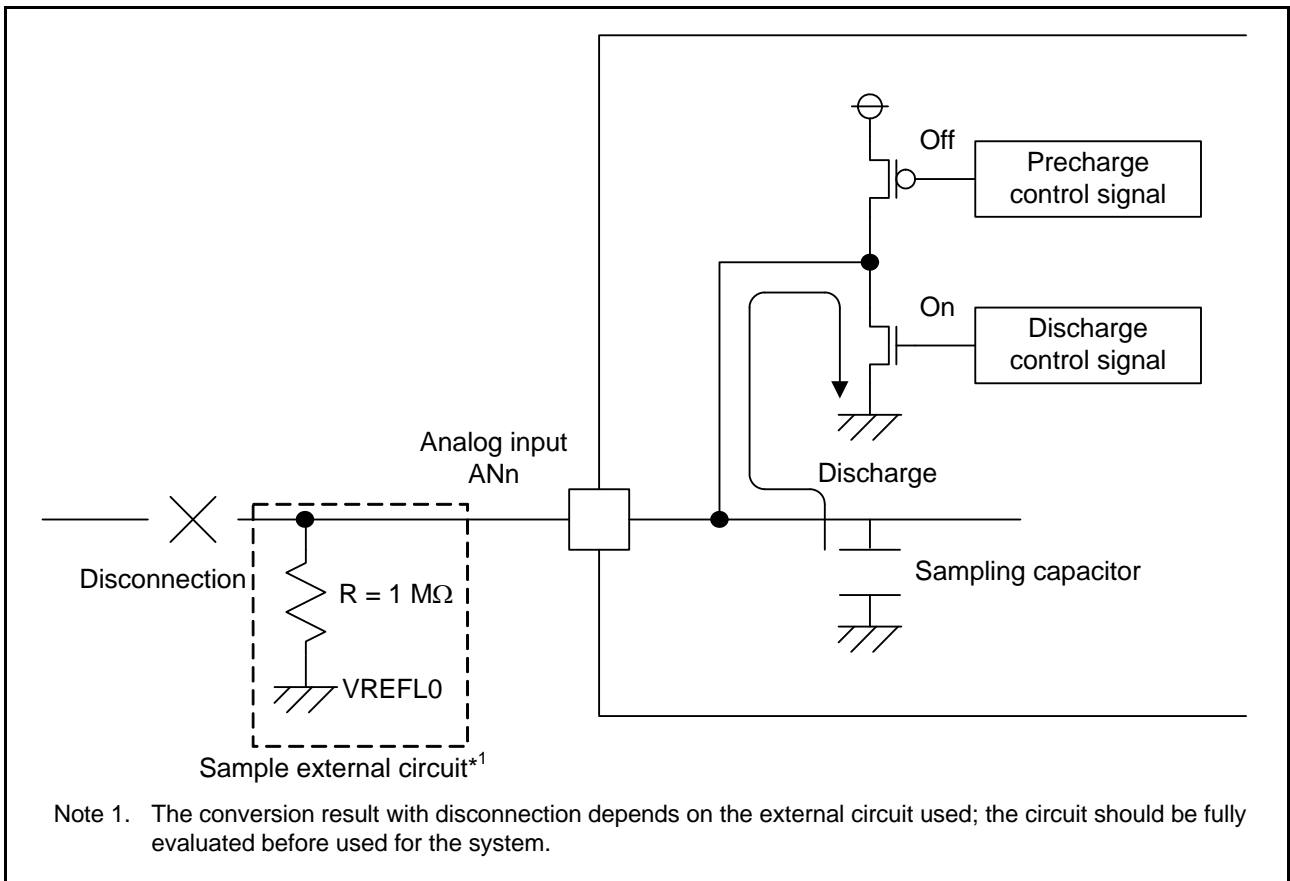


Figure 33.20 VREFL0 Disconnection Detection Example (Discharge Selected)

33.3.9 Starting A/D Conversion with Asynchronous Trigger

The A/D conversion can be started by the input of an asynchronous trigger. To start up the A/D converter by an asynchronous trigger, the A/D conversion start trigger select bits (ADSTRGR.TRSA[3:0]) should be set to 0000b and a high-level signal should be input to the asynchronous trigger (ADTRG0# pin), and both the ADCSR.TRGE and ADCSR.EXTRG bits should be set to 1. Figure 33.21 shows a timing of the asynchronous trigger input.

For the time required for the A/D conversion start after the ADCSR.ADST bit is set, refer to section 33.7.3, A/D Conversion Restarting Timing and Termination Timing.

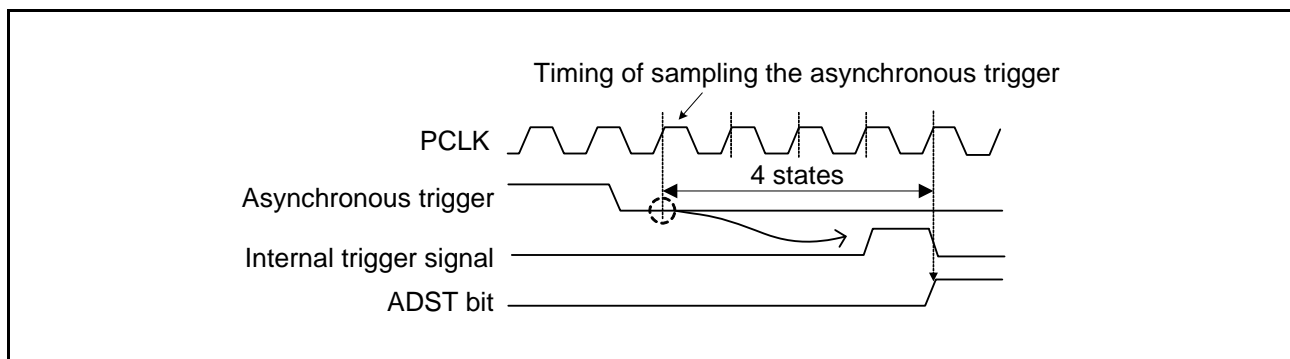


Figure 33.21 Asynchronous Trigger Input Timing

33.3.10 Starting A/D Conversion with Synchronous Trigger from Peripheral Modules

The A/D conversion can be started by a synchronous trigger of the MTU, TPU, ELC, or temperature sensor. To start the A/D conversion by a synchronous trigger, the ADCSR.TRGE bit should be set to 1, the ADCSR.EXTRG bit should be cleared to 0, and the relevant source should be selected by ADSTRGR.TRSA[3:0] and TRSB[3:0] bits.

When the temperature sensor output is converted, a trigger from the temperature sensor should be used to start the A/D conversion. A trigger from the temperature sensor cannot be used when an analog input channel or the internal reference voltage is converted.

33.4 Interrupt Sources and DMA Transfer Requests

33.4.1 Interrupt Request on Completion of Each Scanning Conversion

The 12-bit A/D converter can send scan end interrupt requests S12ADI0 and GBADI to the CPU.

Setting the ADIE bit in ADCSR to 1 and 0 enables and disables an S12ADI0 interrupt, respectively; similarly, setting the GBADIE bit in ADCSR to 1 and 0 enables and disables a GBADI interrupt, respectively.

In addition, the DTC or DMAC can be started up when an S12ADI0 or a GBADI interrupt is generated. Using an S12ADI0 or a GBADI interrupt to allow the DTC or DMAC to read the converted data enables continuous conversion without burden on software.

For details on DTC settings, see section 17, Data Transfer Controller (DTCa), and for details on DMAC settings, see section 16, DMA Controller (DMACA).

33.5 Event Linkage

33.5.1 Event Output to ELC

The ELC connects the S12ADI0 interrupt request signal to the predetermined module as the event signal (i.e., event linkage). The GBADI interrupt request signal cannot be used as the event signal. The event signal can be output irrespective of the setting of the corresponding interrupt request enable bit. The 12-bit A/D converter outputs the A/D conversion end event.

33.5.2 12-bit A/D Converter Operation by Event from ELC

The 12-bit A/D converter can be started by the predetermined event by so setting ELSRn of the ELC.

33.5.3 Notes on Event Reception from ELC during 12-bit A/D Conversion

When an event occurs during A/D conversion, it is invalid.

33.6 A/D Conversion Accuracy Definitions

The RX210 Group's A/D conversion accuracy is defined as below:

- Resolution
The number of 12-bit A/D converter digital output codes
- Offset error
The deviation of the analog input voltage value from the ideal A/D conversion characteristic when the digital output changes from the minimum voltage value 000000000000 to 000000000001, excluding quantization error.
- Full-scale error
The deviation of the analog input voltage value from the ideal A/D conversion characteristic when the digital output changes from 111111111110 to 111111111111, excluding quantization error.
- Quantization error
The deviation inherent in the 12-bit A/D converter, given by 1/2 LSB
- Nonlinearity error
The error with respect to the ideal A/D conversion characteristic between zero voltage and the full-scale error, excluding offset error, full-scale error, and quantization error.
- Absolute accuracy
The deviation between the digital value and analog input value, including offset error, full-scale error, quantization error, and nonlinearity error.

33.7 Usage Notes

33.7.1 Notes on Reading Data Registers

The A/D data registers, A/D data duplication register, A/D temperature sensor data register, A/D internal reference voltage data register, and A/D self-diagnosis data register should be read in word units. If a register is read twice in byte units, that is, the upper byte and lower byte are separately read, the A/D converted value having been read first may disagree with the A/D converted value having been read for the second time. To prevent this, the data registers should never be read in byte units.

33.7.2 Notes on Stopping A/D Conversion

To stop A/D conversion when an asynchronous trigger or a synchronous trigger has been selected as the condition for starting A/D conversion, set the TRGE bit in ADCSR to 0 and select the software trigger as the condition for starting A/D conversion, and then set the ADST bit in ADCSR to 0 (to stop A/D conversion).

33.7.3 A/D Conversion Restarting Timing and Termination Timing

It takes a maximum of four ADCLK cycles for the idle analog unit of the 12-bit A/D converter to be restarted by setting the ADST bit in ADCSR to 1. It takes a maximum of two ADCLK cycles for the operating analog unit of the 12-bit A/D converter to be terminated by setting the ADST bit in ADCSR to 0.

33.7.4 Notes on Scan End Interrupt Handling

When scanning the same analog input twice using any trigger, the first A/D converted data is overwritten with the second A/D converted data in the case that the CPU does not complete reading out the A/D converted data by the time the A/D conversion of the first analog input for the second scan ends after the first scan end interrupt is generated.

33.7.5 Module Stop Function Setting

Operation of the 12-bit A/D converter can be disabled or enabled using the module stop control register. The initial setting is for operation of the 12-bit A/D converter to be halted. Canceling the module stop state allows registers to be accessed.

After the module stop state is canceled, wait for 1 μ s to start A/D conversion. For details, see section 11, Low Power Consumption.

33.7.6 Notes on Entering Low Power Consumption States

Before entering module stop mode or software standby mode, make sure to stop A/D conversion. Here, set the ADST bit in ADCSR to 0, and allow time for stopping the analog unit of the 12-bit A/D converter.

Follow the procedure given below to secure this time.

1. Set the ADCSR.TRGE bit to 0 (software trigger).
2. Clear the ADCSR.ADST bit to 0.
3. After confirming that the A/D converter has been stopped, place the LSI in the module stop state mode or software standby mode.

33.7.7 Allowable Impedance of Signal Source

To achieve high-speed conversion of 1.0 μs , the analog input pins of this LSI are designed so that the conversion accuracy is guaranteed if the impedance of the input signal source is 0.5 k Ω or less. If an external capacitor of large capacitance is attached in the application in which only a single pin input is converted in single scan mode, the only load on input is virtually 3.0 k Ω of the internal input resistor; therefore, the impedance of the signal source can be ignored. Being a low-pass filter, however, an analog input circuit may not follow the analog signal with a large differential coefficient (e. g., larger than 5 mV/ μs) as shown in Figure 33.22. When high-speed analog signals are to be converted or multiple pins are to be converted in scan mode, a low-impedance buffer should be used.

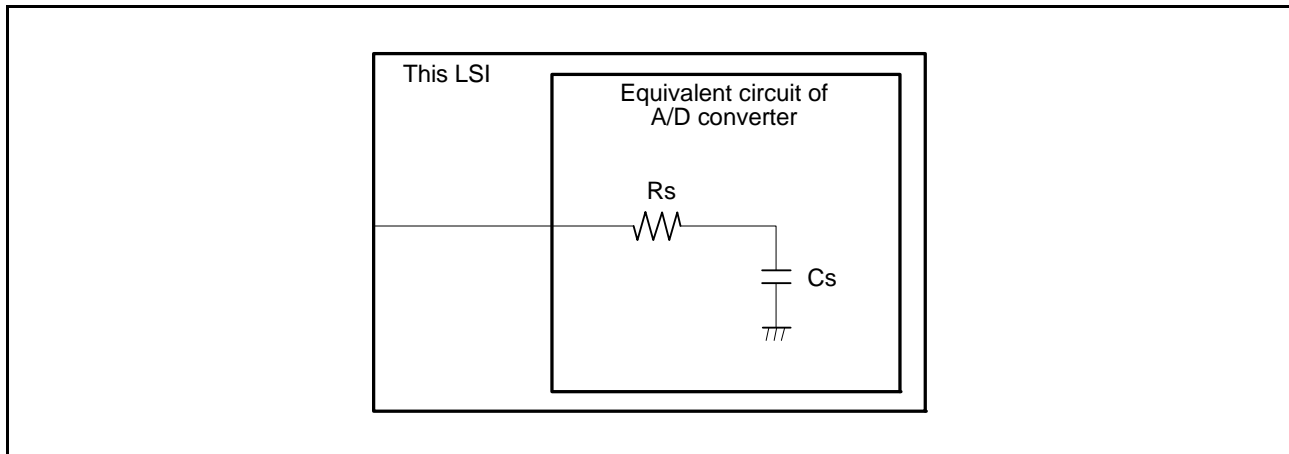


Figure 33.22 Internal Equivalent Circuit of Analog Input Pin

Table 33.9 Specifications of Analog Input Pins

Item		Min.	Max.	Unit
Allowable signal source impedance*1		—	0.5	k Ω
Internal equivalent circuit of a pin*2	Rs	—	3.0	k Ω
	Cs	—	20	pF

Note 1. Value to achieve high-speed conversion of 1.0 μs . The value differs depending on the analog power supply voltage and analog input pins to be used. For details, see section 42, Electrical Characteristics.

Note 2. Values when the corresponding pin is AN003, AN004, or AN006 and the voltage condition is AVCC0 \geq 2.7 V.

33.7.8 Influence on Absolute Accuracy

Attaching a capacitor creates coupling with GND and may affect the absolute accuracy when noisy GND is used; therefore, a capacitor should be connected to electrically stable GND such as AVSS0.

The filter circuit should be designed so that it does not interfere digital signals or it does not serve as an antenna on the circuit board.

33.7.9 Voltage Range of Analog Power Supply Pins

If this LSI is used with the voltages outside the following ranges, the reliability of the LSI may be affected.

- Analog input voltage range

Voltage (V_{AN}) applied to analog input pins AN_n : $V_{REFL0} \leq V_{AN} \leq V_{REFH0}$

- Relationship between power supply pin pairs ($AVCC0$ – $AVSS0$, $VREFH0$ – $VREFL0$, VCC – VSS)

$AVCC0 = VCC$ and $AVSS0 = VSS$

A 0.1- μF capacitor should be connected between each pair of power supply pins to create a closed loop with the shortest rout possible as shown in Figure 33.23, and connection should be made so that the following conditions are satisfied at the supply side.

$AVCC0 = VCC$ and $VREFL0 = AVSS0 = VSS$

When the A/D converter is not used, the following conditions should be satisfied.

$VREFH0 = AVCC0 = VCC$ and $VREFL0 = AVSS0 = VSS$

- $VREFH0$ range

The reference voltage range applied to the $VREFH0$ pin should be $VREFH0 \leq AVCC0$.

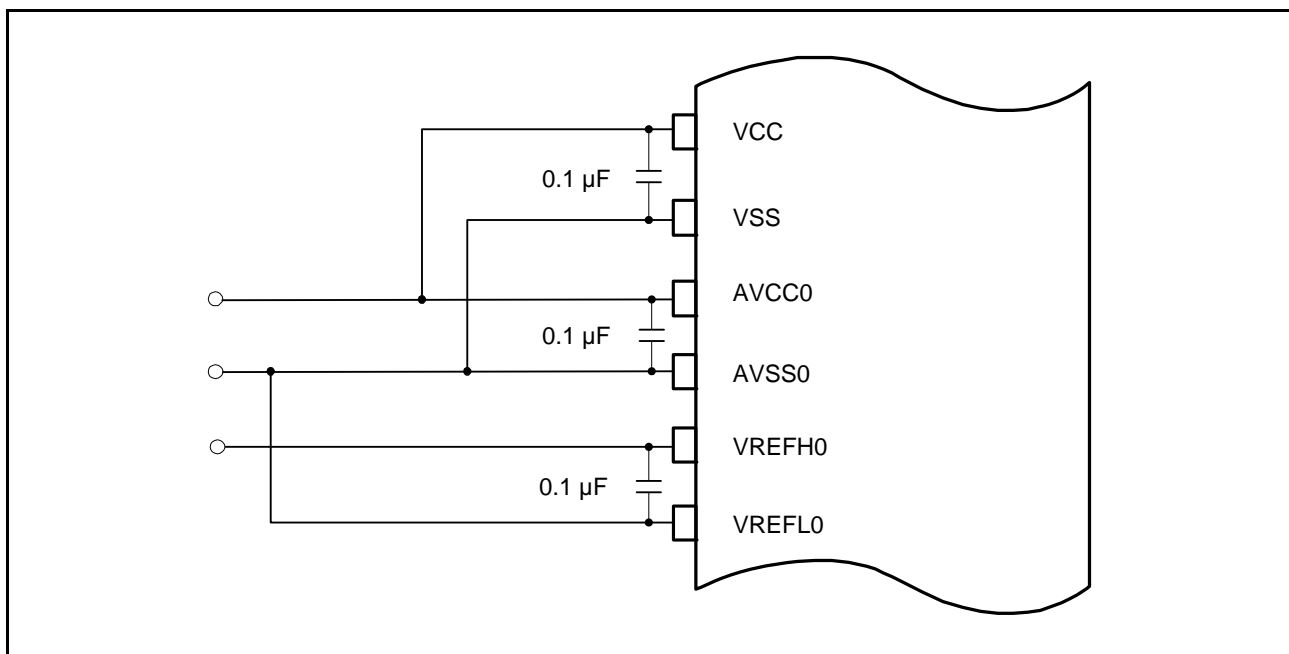


Figure 33.23 Power Supply Pin Connection Example

33.7.10 Notes on Board Design

The board should be designed so that digital circuits and analog circuits are separated from each other as far as possible. In addition, digital circuit signal lines and analog circuit signal lines should not intersect or placed near each other. If these rules are not followed, noise will be produced on analog signals and A/D conversion accuracy will be affected. The analog input pins ($AN000$ to $AN015$), reference power supply pin ($VREFH0$), reference ground pin ($VREFL0$), and analog power supply ($AVCC0$) should be separated from digital circuits using the analog ground ($AVSS0$). The analog ground ($AVSS0$) should be connected to a stable digital ground (VSS) on the board (single-point ground plane connection).

33.7.11 Notes on Noise Prevention

To prevent the analog input pins (AN000 to AN015) from being destroyed by abnormal voltage such as excessive surge, a capacitor should be inserted between AVCC0 and AVSS0 and between VREFH0 and VREFL0, and a protection circuit should be connected to protect the analog input pins (AN000 to AN015) as shown Figure 33.24.

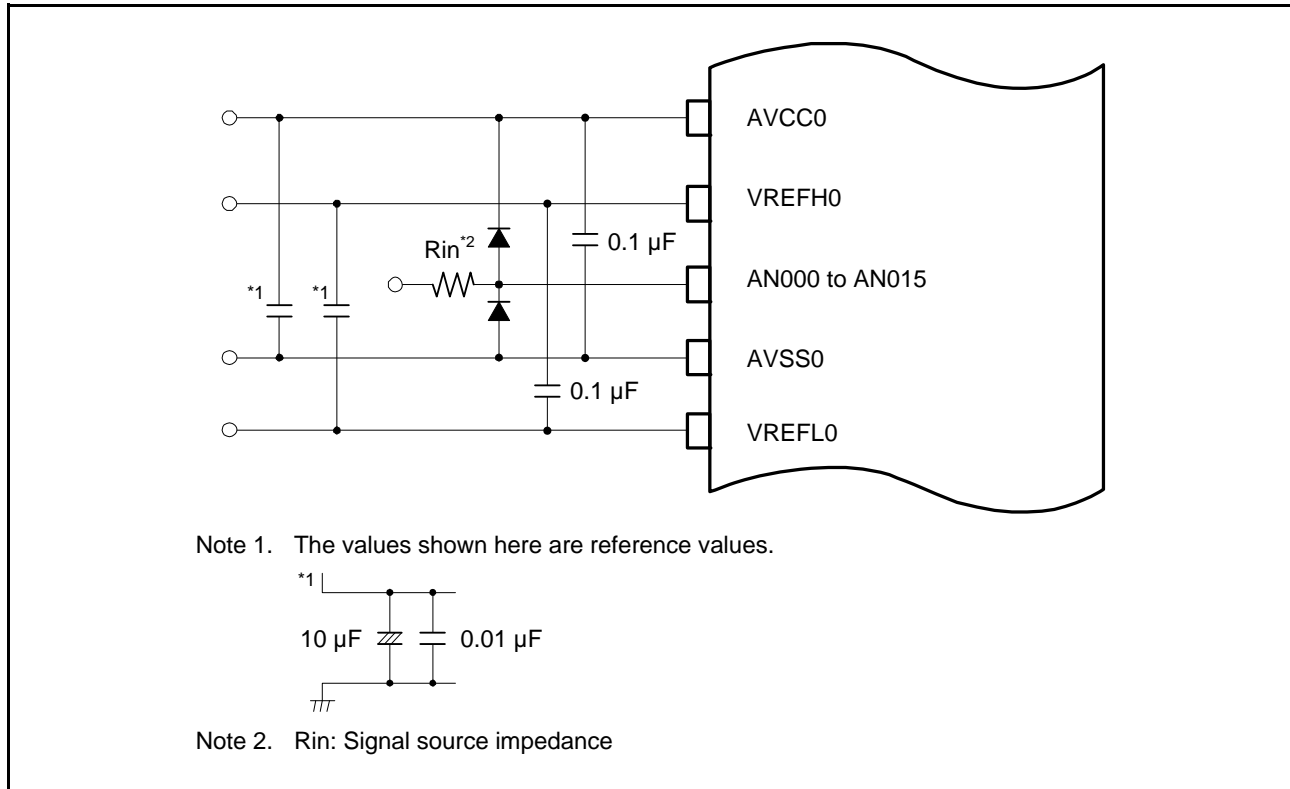


Figure 33.24 Sample Protection Circuit for Analog Inputs

33.7.12 Port Setting when 12-bit A/D Converter Inputs are Used

If any one of port 4 or port E pins is used as an analog input pin for the 12-bit A/D converter, none of port 0 and port 4 output pins should be used. However, D/A converter outputs can be used. This is because an analog power supply is used for parts of the ports 0 and 4 circuits.

33.7.13 Error in Absolute Accuracy when Disconnection Detection Assist Function is Used

When the disconnection detection assist function is used, the error voltage is input to the analog input pins, thus affecting the absolute accuracy of the A/D converter. The error voltage here is caused by dividing the voltage by the pull-up/pull-down resistor (R_p) and signal source resistor (R_s). The error in the absolute accuracy is represented by the expression below. When using the disconnection detection assist function, fully evaluate the system in terms of the error in absolute accuracy.

Maximum error in the absolute accuracy (LSB) = $4095 \times R_s/R_p$

34. D/A Converter (DA)

34.1 Overview

Table 34.1 lists the specifications of the D/A converter and Figure 34.1 shows a block diagram of the D/A converter.

Table 34.1 Specifications of D/A Converter

Item	Description
Resolution	10 bits
Output channels	Two channels
Low power consumption function	Module stop state can be set for each unit.
Event link function (input)	D/A0 conversion can be started when an event signal is input.

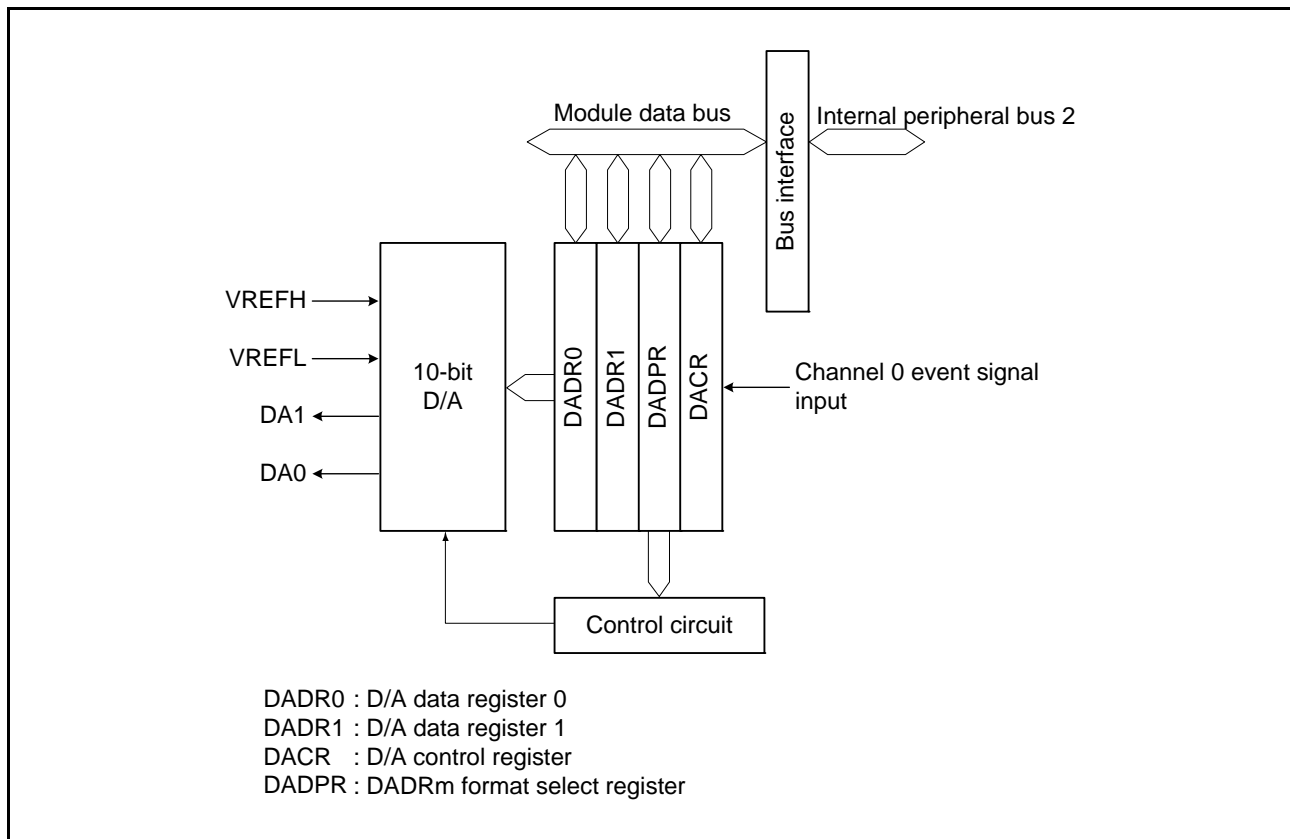


Figure 34.1 Block Diagram of D/A Converter

Table 34.2 lists the pin configuration of the D/A converter.

Table 34.2 Pin Configuration of D/A Converter

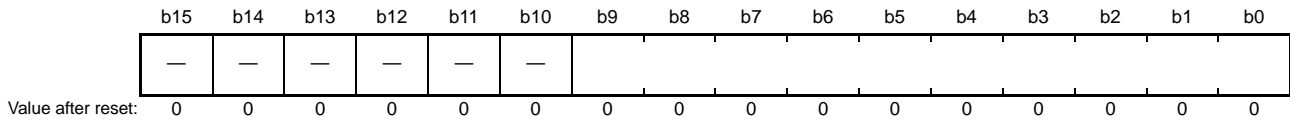
Pin Name	I/O	Function
VREFH	Input	Reference voltage input pin for the D/A converter. This pin is also used as an analog power supply pin. Connect to VCC when the D/A converter is not used.
VREFL	Input	Reference voltage input pin for the D/A converter. This pin is also used as an analog ground pin. Set VREFL to the same potential as VSS.
DA0	Output	Channel 0 analog output pin
DA1	Output	Channel 1 analog output pin

34.2 Register Descriptions

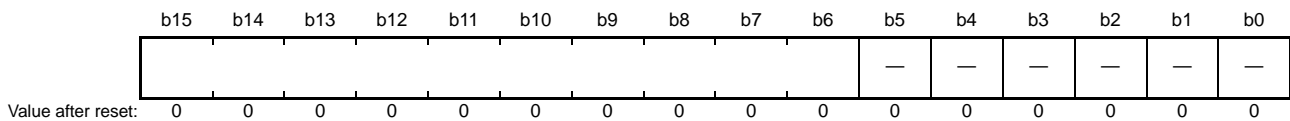
34.2.1 D/A Data Register m (DADRm) (m = 0, 1)

Address(es): DADR0 0008 80C0h, DADR1 0008 80C2h

- DADPR.DPSEL bit = 0 (data are flush with the right end of the register)



- DADPR.DPSEL bit = 1 (data are flush with the left end of the register)



DADRm registers are 16-bit readable/writable registers, which store data to which D/A conversion is to be performed. Whenever an analog output is enabled, the values in DADRm are converted and output to the analog output pins. 10-bit data can be relocated by setting the DPSEL bit in DADPR. Bits “—” are read as 0. The write value should be 0.

34.2.2 D/A Control Register (DACR)

Address(es): 0008 80C4h

b7	b6	b5	b4	b3	b2	b1	b0
DAOE1	DAOE0	DAE	—	—	—	—	—

Value after reset: 0 0 0 1 1 1 1 1

Bit	Symbol	Bit Name	Description	R/W
b4 to b0	—	Reserved	These bits are read as 1. The write value should be 1.	R/W
b5	DAE*1	D/A Enable	0: D/A conversion is independently controlled on channels 0 and 1. 1: D/A conversion on channels 0 and 1 is controlled as a single whole.	R/W
b6	DAOE0	D/A Output Enable 0	0: Analog output of channel 0 (DA0) is disabled. 1: D/A conversion of channel 0 is enabled. Analog output of channel 0 (DA0) is enabled.*2	R/W
b7	DAOE1	D/A Output Enable 1	0: Analog output of channel 1 (DA1) is disabled. 1: D/A conversion of channel 1 is enabled. Analog output of channel 1 (DA1) is enabled.*2	R/W

Note 1. This bit controls D/A conversion in combination with the DAOEi bit (i = 0, 1). The DAOEi bit controls output of the results of conversion. For details, see Table 34.3.

Note 2. Set the P0.PDR.Bm bit (m = 3, 5) for pins used as analog outputs and the corresponding P0.PMR.Bm bit (m = 3, 5) to 0. In addition, set them to analog pins by the P03PFS and P05PFS registers. For details, see section 19, I/O Ports and section 20, Multi-Function Pin Controller (MPC).

Table 34.3 Controls of D/A Conversion

b5	b7	b6	Description
DAE	DAOE1	DAOE0	
0	0	0	D/A conversion and analog output pins (DA0, DA1) are disabled.*1
		1	D/A conversion of channel 0 is enabled. D/A conversion of channel 1 is disabled. Analog output of channel 0 (DA0) is enabled. Analog output of channel 1 (DA1) is disabled.*1
	1	0	D/A conversion of channel 0 is disabled. D/A conversion of channel 1 is enabled. Analog output of channel 0 (DA0) is disabled.*1 Analog output of channel 1 (DA1) is enabled.
		1	D/A conversion of channels 0 and 1 is enabled. Analog output of channels 0 and 1 (DA0, DA1) is enabled.
1	0	0	D/A conversion of channels 0 and 1 is enabled. Analog output of channels 0 and 1 (DA0, DA1) is disabled.*1
		1	D/A conversion of channels 0 and 1 is enabled. Analog output of channel 0 (DA0) is enabled. Analog output of channel 1 (DA1) is disabled.*1
	1	0	D/A conversion of channels 0 and 1 is enabled. Analog output of channel 0 (DA0) is disabled.*1 Analog output of channel 1 (DA1) is enabled.
		1	D/A conversion of channels 0 and 1 is enabled. Analog output of channels 0 and 1 (DA0, DA1) is enabled.

Note 1. When analog output is disabled, the analog output signal is placed in the Hi-Z state.

DAE Bit (D/A Enable)

The DAE bit controls D/A conversion in combination with the DAOEi (i = 0, 1) bit.

When the DAE bit is 0, D/A conversion is independently controlled on channels 0 and 1. When the DAE bit is 1, D/A conversion on channels 0 and 1 is controlled as a single whole. The DAOEi bit controls output of the results of conversion.

DAOE0 Bit (D/A Output Enable 0)

The DAOE0 bit controls the D/A conversion and analog output.

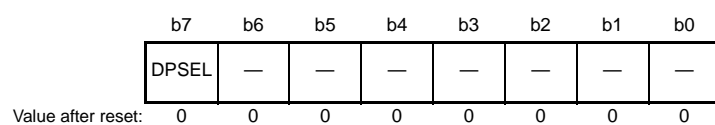
The event link function is capable of setting the DAOE0 bit to 1. The DAOE0 bit becomes 1 when the event specified by the setting of the ELSR16 register of the ELC occurs, and output of the results of D/A conversion starts.

DAOE1 Bit (D/A Output Enable 1)

The DAOE1 bit controls the D/A conversion and analog output.

34.2.3 DADRm Format Select Register (DADPR)

Address(es): 0008 80C5h



Bit	Symbol	Bit Name	Description	R/W
b6 to b0	—	Reserved	These bits are read as 0. The write value should be 0.	R/W
b7	DPSEL	DADRm Format Select	0: Data is flush with the right end of the D/A data register. 1: Data is flush with the left end of the D/A data register.	R/W

34.3 Operation

The D/A converter includes D/A conversion circuits for two channels, each of which can operate independently. When the DAOE_i bit (*i* = 0, 1) in DACR is set to 1, D/A converter is enabled and the conversion result is output.

An operation example of D/A conversion on channel 0 is shown below. Figure 34.2 shows the timing of this operation.

1. Write the data for conversion to DADR0.
2. Set the DAOE0 bit in DACR to 1 to start D/A conversion. The conversion result is output from the analog output pin DA0 after the conversion time *t*_{DCONV} has elapsed. The conversion result continues to be output until DADR0 is written to again or the DAOE0 bit is cleared to 0. The output value is expressed by the following formula:

$$\frac{\text{Setting value of DADR0}}{1024} \times V_{REFH}$$

3. If DADR0 is written to again, the conversion is immediately started. The conversion result is output after the conversion time *t*_{DCONV} has elapsed.
4. If the DAOE0 bit is cleared to 0, analog output is disabled.

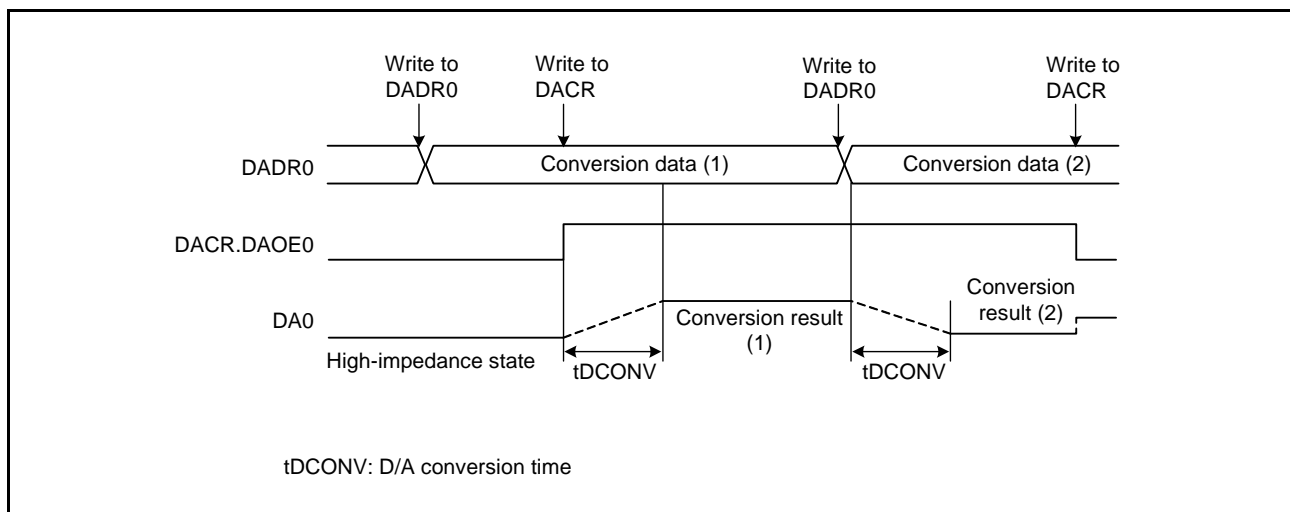


Figure 34.2 Example of D/A Converter Operation

34.4 Event Link Operation Setting Procedure

The event link operation procedure is described below.

1. Set the data to convert D/A to the DADPR.DPSEL bit setting and DADR0 register.
2. Set the bit value of the ELS16 setting event signal to link the ELSR16 of the ELC.
3. Set the ELCR.ELCON bit to 1. This procedure enables the event link operation for all modules with the event link function selected.
4. Set the module in the event output source, and is activated. After the event is output from the module, the DACR.DAOE0 bit is 1, and the channel 0 D/A converter is started.
5. Set 0000 0000b in the ELSR16.ELS[7:0] bit when stopping the event link operation of the D/A converter channel 0. And all-module event link operation is stopped after the ELCR.ELCON bit is set to 0.

34.5 Usage Notes on Event Link Operation

When the specified event is generated by the ELSR16 register while write cycle is performed to the DACR.DAOE0 bit, the write cycle is not performed to the DACR.DAOE0 bit, and the setting to 1 takes precedence by generated event.

34.6 Usage Notes

34.6.1 Module Stop Function Setting

Operation of the D/A converter can be disabled or enabled by using the module stop control register. The initial setting is for operation of the D/A converter to be halted. Register access is enabled by clearing the module stop state. For details, refer to section 11, Low Power Consumption.

34.6.2 Operation of the D/A Converter in Module Stop State

When the RX210 Group enters the module stop state with D/A conversion enabled, the D/A outputs are retained, and the analog power supply current is the same as during D/A conversion. If the analog power supply current has to be reduced in the module stop state, disable D/A conversion by clearing the DAOE1, DAOE0, and DAE bits in DACR to 0.

34.6.3 Operation of the D/A Converter in Software Standby Mode

When the RX210 Group enters software standby mode with D/A conversion enabled, the D/A outputs are retained, and the analog power supply current is the same as during D/A conversion. If the analog power supply current has to be reduced in software standby mode, disable D/A conversion by clearing the DAOE1, DAOE0, and DAE bits in DACR to 0.

34.6.4 Note on Entering Deep Software Standby Mode

When the RX210 Group enters deep software standby mode with D/A conversion enabled, the outputs of the D/A converter are placed in a high impedance state.

34.6.5 Port Setting when D/A Converter Output is Used

If even a single pin of ports 03 or 05 is in use for output from the D/A converter, do not use ports 0 and 4 for output. This is because an analog power supply is used for parts of the ports 0 and 4 circuits.

35. Temperature Sensor (TEMPSa)

35.1 Overview

The RX210 Group includes a temperature sensor. The temperature sensor outputs a voltage which varies with the temperature. The output of the temperature sensor is connected to a programmable gain amplifier (PGA), which amplifies the voltage output from the sensor. The 12-bit A/D converter can convert the amplified voltage from the sensor into a digital value. The user can then obtain the temperature around the LSI by converting the value into the temperature.

Table 35.1 lists the specifications of the temperature sensor and Figure 35.1 shows a block diagram of the temperature sensor.

Table 35.1 Specifications of Temperature Sensor

Item	Description
Temperature sensor voltage output	Temperature sensor outputs a voltage to the 12-bit A/D converter via a programmable gain amplifier (PGA).
Power consumption reduction function	Module stop state can be set.

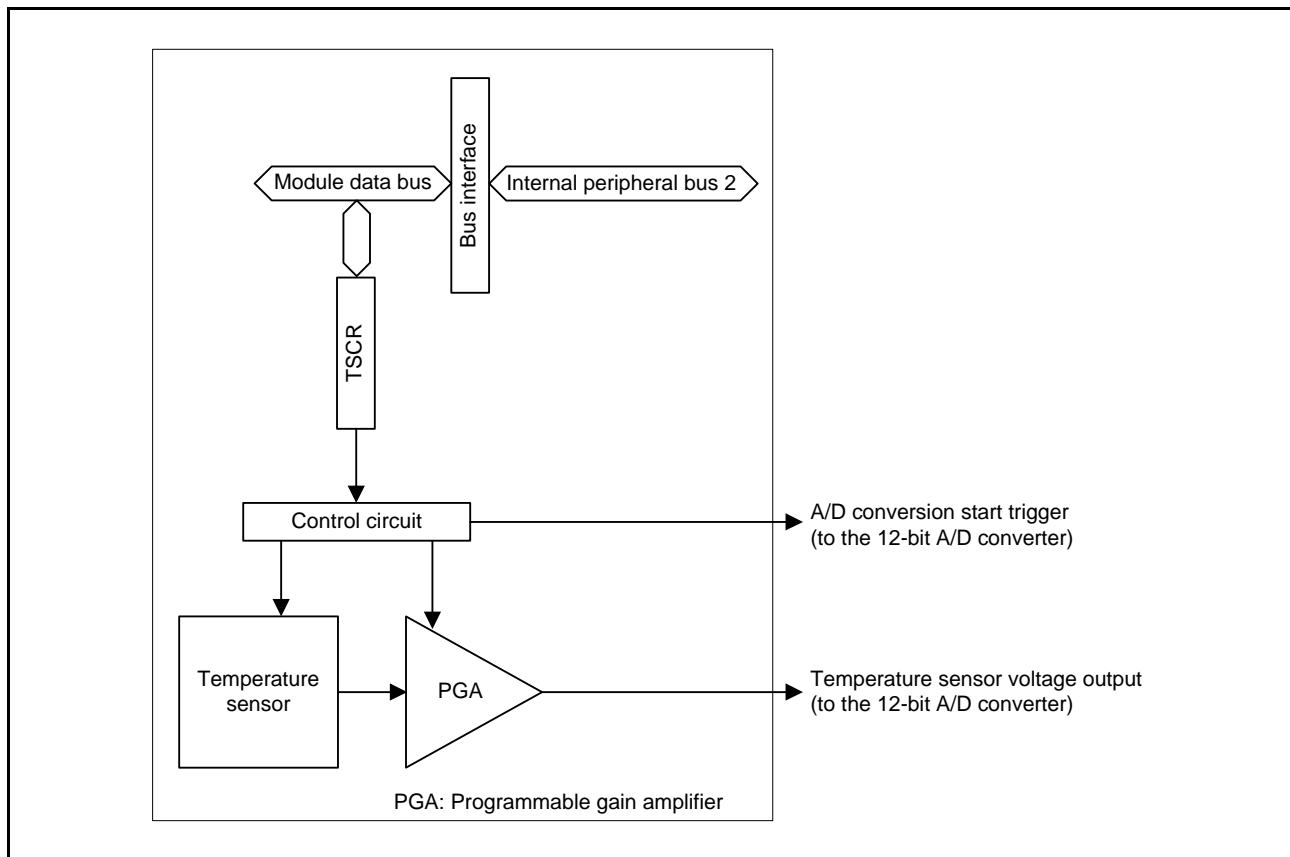
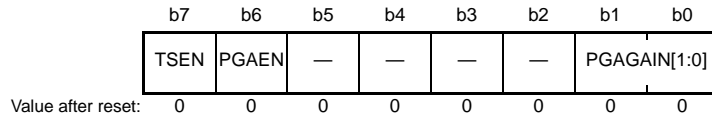


Figure 35.1 Block Diagram of Temperature Sensor

35.2 Register Descriptions

35.2.1 Temperature Sensor Control Register (TSCR)

Address: 0008 C500h



Bit	Symbol	Bit Name	Description	R/W
b1, b0	PGAGAIN [1:0]	PGA Gain Select	b1 b0 0 0: $1.8\text{ V} \leq \text{AVCC0} < 2.7\text{ V}$ 0 1: $2.7\text{ V} \leq \text{AVCC0} < 3.6\text{ V}$ 1 0: $3.6\text{ V} \leq \text{AVCC0} < 5.5\text{ V}$ 1 1: $4.5\text{ V} \leq \text{AVCC0} \leq 5.5\text{ V}$	R/W
b5 to b2	—	Reserved	These bits are read as 0. The write value should be 0.	R/W
b6	PGAEN	PGA Enable*1	0: Disables PGA. 1: Enables PGA.	R/W
b7	TSEN	Temperature Sensor Enable*2	0: Disables the temperature sensor. 1: Enables the temperature sensor.	R/W

Note 1. The PGAEN bit should be written to while the TSEN bit is 1 (temperature sensor in operation).

Note 2. The TSEN bit should be written to while the PGAEN bit is 0 (PGA in stopped state).

PGAGAIN[1:0] Bits (PGA Gain Select)

These bits are used to set the gain of the PGA according to the AVCC0 to obtain a sufficient resolution in the A/D converter by amplifying the temperature sensor output.

AVCC0 voltages described in the above list are only as a guide. When the voltage applied to AVCC0 is higher than the specified voltage, the temperature of a resolution in the A/D converter for 1 LSB becomes higher.

When the voltage applied to AVCC0 is lower than the specified voltage, although the temperature of a resolution in the A/D converter for 1 LSB becomes lower, it may lead the range over.

PGAEN Bit (PGA Enable)

This bit enables and disables the PGA for the temperature sensor. This bit should be written with the TSEN bit being 1 (temperature sensor in operation). If this bit is changed from 0 to 1, the PGA is started and 12-bit A/D converter start trigger is generated. When the A/D conversion is completed, this bit is automatically cleared to 0. For the link operation with the A/D converter, see Figure 35.3, A/D Conversion Timing Example (Two Conversions Performed).

TSEN Bit (Temperature Sensor Enable)

This bit starts and stops the temperature sensor.

This bit should be written with the PGAEN bit being 0 (PGA in stopped state). When the temperature sensor is started, steady-state current flows. Therefore, when the temperature sensor is not used, the power consumption can be reduced by stopping the temperature sensor.

35.3 Using the Temperature Sensor

The temperature sensor outputs a voltage which varies with the temperature.

This voltage is amplified by the PGA and converted to a digital value by the 12-bit A/D converter. The user can then obtain the temperature around the LSI by converting the value into the temperature. The 12-bit A/D converter starts A/D conversion when the PGA is activated from the stopped state and start trigger is generated.

35.3.1 Preparation for Using the Temperature Sensor

The temperature characteristics of the temperature sensor are shown below. The voltage output by the temperature sensor is proportional to temperature, which can be calculated according to the following formula.

Formula for the temperature characteristic:

$$T = (V_s - V_1)/\text{Slope} + T_1$$

T: Measured temperature (°C)

V_s: Voltage output by the temperature sensor at the time of temperature measurement (V)

T₁: Temperature experimentally measured at one point (°C)

V₁: Voltage output by the temperature sensor at the time of measurement of T₁ (V)

T₂: Temperature at the experimental measurement of another point (°C)

V₂: Voltage output by the temperature sensor at the time of measurement of T₂ (V)

Slope: Temperature sensor output gradient by the temperature sensor (V/°C); Slope = (V₂ - V₁)/(T₂ - T₁)

Characteristics vary from sensor to sensor. Therefore, the following experimental measurement at two different temperatures is recommended.

Use the A/D converter to measure the voltage V₁ output by the temperature sensor at temperature T₁.

Again, using the A/D converter, measure the voltage V₂ output by the temperature sensor at a different temperature T₂.

Obtain the temperature gradient (Slope = (V₂ - V₁)/(T₂ - T₁)) from these results.

Subsequently, obtain temperatures by substituting the slope into the formula for the temperature characteristic (T = (V_s - V₁)/Slope + T₁).

If you are using the temperature gradient given in section 42.6, Temperature Sensor Characteristics, use the A/D converter to measure the voltage V₁ output by the temperature sensor at temperature T₁, and then calculate the temperature characteristic by using the formula below.

However, this method gives less accurate temperatures than measurement at two points.

$$T = (V_s - V_1)/\text{Slope} + T_1$$

35.3.2 Setting of 12-Bit A/D Converter

The temperature sensor can provide temperature data through the A/D conversion of the temperature sensor output. For A/D conversion of temperature sensor output voltages, 12-bit A/D converter registers should be set as follows.

- **Selecting the Temperature Sensor Voltage as an A/D Conversion Target**
Select A/D conversion of the voltage from the temperature sensor by setting the TSS bit in ADEXICR to 1. Additionally, remove other sources from the scope of conversion by setting all of the bits in ADANSA and ADANSB, and the OCS bit in ADEXICR, to 0.
- **Setting Single Scan Mode**
Select single scan mode by setting the ADCS[1:0] bits in ADCSR to 0. Do not select the other modes.
- **Setting the Number of Sampling States of the 12-Bit A/D Converter**
For performing A/D conversion of the temperature sensor output, the sampling period shown in section 42.6, **Temperature Sensor Characteristics** is required. Set the appropriate number of sampling states according to the conversion clock frequency of the A/D converter (PCLKD). Table 35.2 shows the setting examples when the sampling period is 70 μ s (typical value).

Table 35.2 A/D Converter Conversion Clock (PCLKD) Frequencies and ADSSTRT Settings

A/D Converter Conversion Clock (PCLKD) Frequency (MHz)	ADSSTRT Setting
1	70
2	140
3	210

- **A/D Conversion Start Trigger**
For A/D conversion of the output from the temperature sensor, enable the trigger signal from the temperature sensor by setting the ADCSR.TRGE bit to 1 and the EXTRG bit to 0. Then set the TRSA[4:0] bits in ADSTRGR to 01010 and select the temperature sensor as the A/D converter start trigger. At this time, other A/D conversion start triggers or software triggers should not be selected.

35.3.3 A/D Conversion Result of Temperature Sensor Output

When the A/D conversion of the temperature sensor output is completed, the conversion result is stored in ADTSDR.

35.3.4 Procedure for Using the Temperature Sensor

Figure 35.2 shows the procedure for using the temperature sensor.

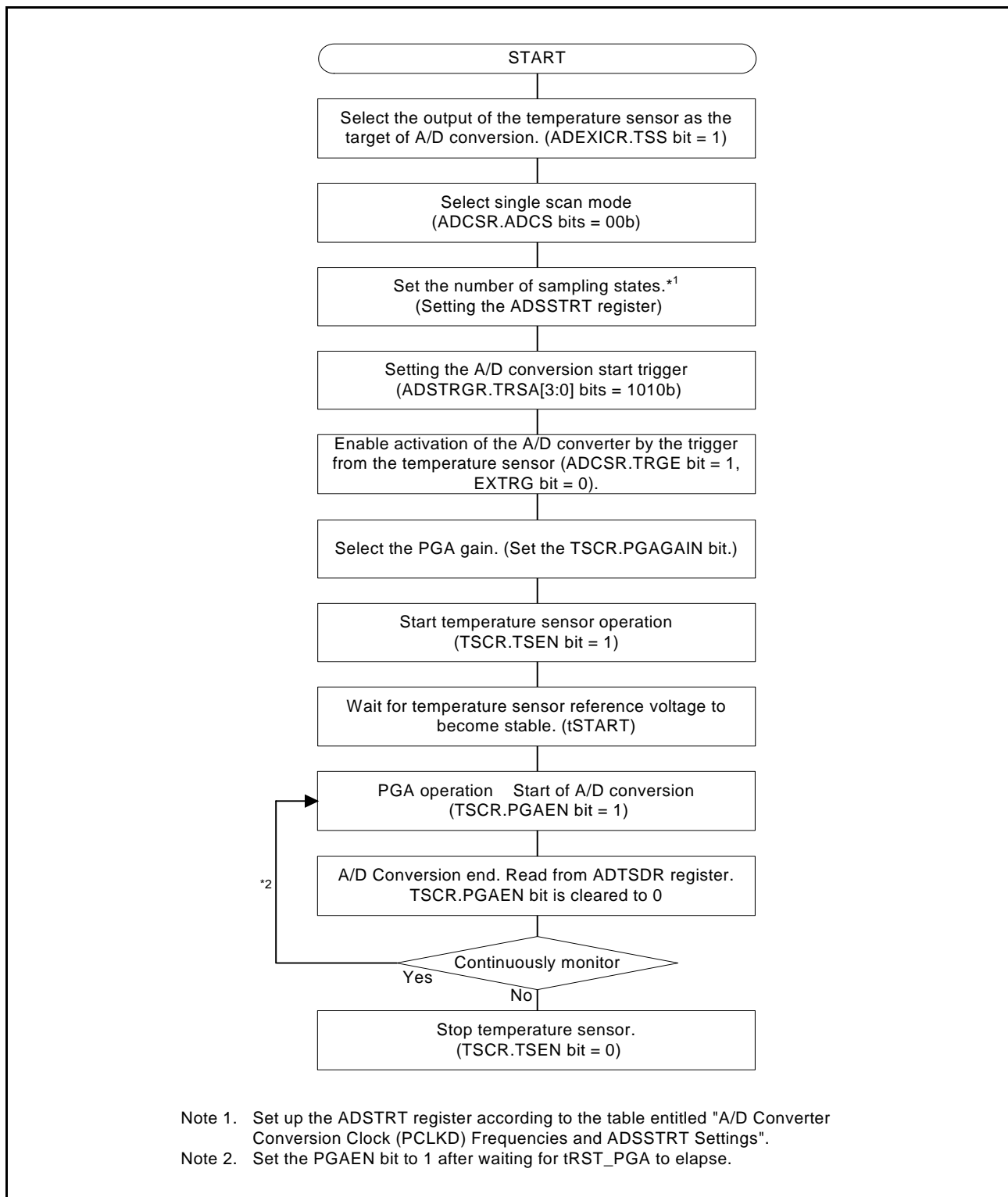


Figure 35.2 Procedure for Using the Temperature Sensor

35.3.5 Timing of A/D Conversion of Temperature Sensor Output

When the temperature sensor is selected as the 12-bit A/D converter start trigger and the PGAEN bit in TSCR is changed from 0 to 1 to start the temperature sensor, the 12-bit A/D converter start trigger is generated and A/D conversion is performed.

Figure 35.3 shows the timing of A/D conversion of temperature sensor output.

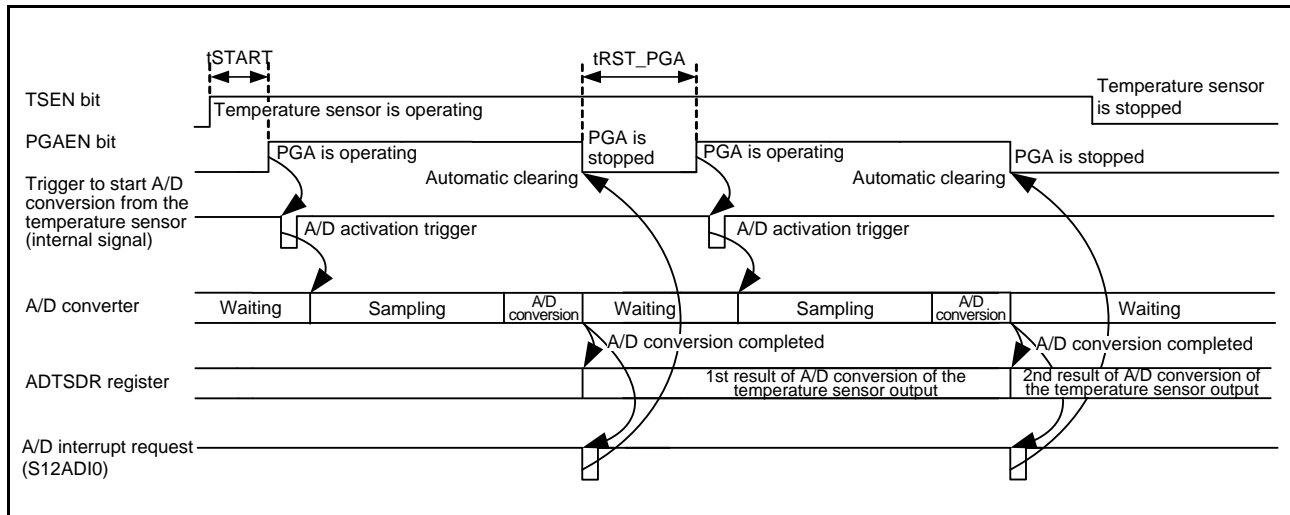


Figure 35.3 A/D Conversion Timing Example (Two Conversions Performed)

35.4 Usage Note

35.4.1 Module Stop Function Setting

The corresponding bit in module stop control register B (MSTPCRB) can be used to enable and disable the temperature sensor. The initial setting is for the temperature sensor to be stopped. The register becomes accessible on release from the module-stop state. For details, see section 11, Low Power Consumption.

36. Comparator A (CMPA)

Comparator A compares a reference input voltage and an analog input voltage. Comparator A1 and comparator A2 are independent of each other. Note that these comparators A1 and A2 share the voltage detection circuit with voltage monitor 1 and voltage monitor 2. Either “comparator A1 and comparator A2” or “voltage monitor 1 and voltage monitor 2” can be selected to use the voltage detection circuit.

36.1 Overview

The comparison result of the reference input voltage and analog input voltage can be read by software. An input voltage to the CVREFA pin can be selected as the reference input voltage. Also, the comparator A1 interrupt and comparator A2 interrupt can be used.

Table 36.1 lists the comparator A specifications, Figure 36.1 shows a block diagram of comparator A, and Table 36.2 shows the pin configuration of comparator A.

Table 36.1 Comparator A Specifications

Item	Comparator A1	Comparator A2
Analog input voltage	Input voltage to the CMPA1 pin	Input voltage to the CMPA2 pin
Reference input voltage	Input voltage to the CVREFA pin	
Comparison target	Compares whether the analog input voltage has passed through the reference input voltage by rising or falling.	
Comparison result monitor	LVD1MON bit in the LVD1SR register	LVD2MON bit in the LVD2SR register
	Indicates whether the analog input voltage is higher or lower than the reference input voltage	
Interrupt	Comparator A1 interrupt (non-maskable or maskable can be selected)	Comparator A2 interrupt (non-maskable or maskable can be selected)
Interrupt request generation timing	Input voltage to the CMPA1 pin has risen above or fallen below the CVREFA pin reference input voltage, or either of the two.	Input voltage to the CMPA2 pin has risen above or fallen below the CVREFA pin reference input voltage, or either of the two.
Event generation timing to ELC	Input voltage to the CMPA1 pin has risen above or fallen below the CVREFA pin reference input voltage, or either of the two.	Input voltage to the CMPA2 pin has risen above or fallen below the CVREFA pin reference input voltage, or either of the two.
Digital filter	Switching enable/disable	Supported
	Sampling time	(LOCO divided by n) × 2 n: 1, 2, 4, 8
Comparison result output	Comparison result can be output from a port by going through the event link controller (ELC).	Comparison result can be output from a port by going through the event link controller (ELC).

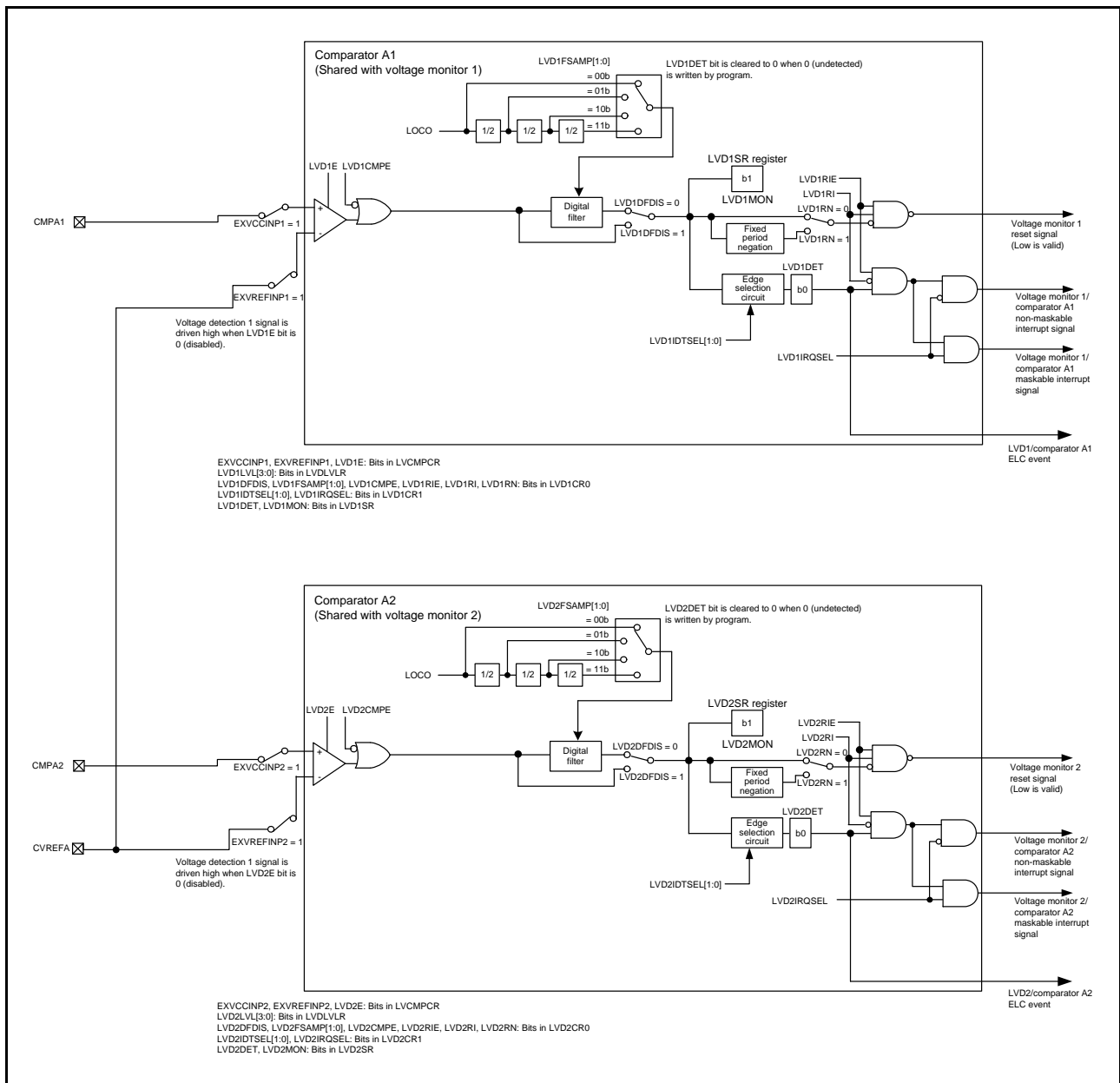


Figure 36.1 Block Diagram of Comparator A

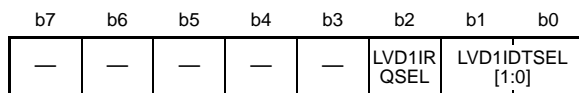
Table 36.2 Pin Configuration of Comparator A

Pin Name	I/O	Function
CMPA1	Input	Comparator A1 analog pin
CMPA2	Input	Comparator A2 analog pin
CVREFA	Input	Comparator reference voltage pin

36.2 Register Descriptions

36.2.1 Voltage Monitoring 1 Circuit/Comparator A1 Control Register 1 (LVD1CR1)

Address: 0008 00E0h



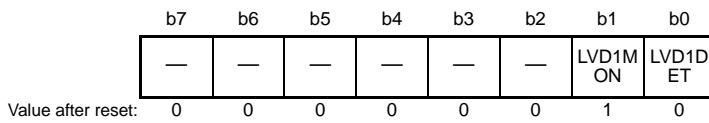
Value after reset: 0 0 0 0 0 0 0 1

Bit	Symbol	Bit Name	Description	R/W
b1, b0	LVD1IDTSEL [1:0]	Voltage Monitoring 1/Comparator A1 Interrupt/ELC Event Generation Condition Select	b1 b0 0 0: CMPA1 ≥ CVREFA 0 1: CMPA1 < CVREFA 1 0: Falling below or rising above is detected. 1 1: Setting prohibited	R/W
b2	LVD1IRQSEL	Voltage Monitoring 1/Comparator A1 Interrupt Type Select	0: Non-maskable interrupt 1: Maskable interrupt	R/W
b7 to b3	—	Reserved	These bits are read as 0. The write value should be 0.	R/W

Note: • Set the PRCR.PRC3 bit to 1 (write enabled) before rewriting this register.

36.2.2 Voltage Monitoring 1 Circuit/Comparator A1 Status Register (LVD1SR)

Address: 0008 00E1h



Bit	Symbol	Bit Name	Description	R/W
b0	LVD1DET	Voltage Monitoring 1/Comparator A1 Voltage Change Detection Flag	0: Not detected 1: Comparator A1 comparison result change has been detected.	R/W *1
b1	LVD1MON	Voltage Monitoring 1/Comparator A1 Signal Monitor Flag	0: CMPA1 < CVREFA 1: CMPA1 ≥ CVREFA	R
b7 to b2	—	Reserved	These bits are read as 0. The write value should be 0.	R/W

Note: • Set the PRCR.PRC3 bit to 1 (write enabled) before rewriting this register.

Note 1. Only 0 can be written to this bit. After writing 0 to this bit, it takes two system clock cycles for the bit to be read as 0.

LVD1DET Flag (Voltage Monitoring 1/Comparator A1 Voltage Change Detection Flag)

The LVD1DET flag is enabled when the LVCMPCR.LVD1E bit is 1 (voltage detection 1 circuit enabled) and the LVD1CR0.LVD1CMPE bit is 1 (voltage monitoring 1 circuit comparison result output enabled).

The LVD1DET flag should be set to 0 after LVD1CR0.LVD1RIE is set to 0 (disabled). LVD1CR0.LVD1RIE can be set to 1 (enabled) again after a period of PCLKB2 cycle or more has elapsed.

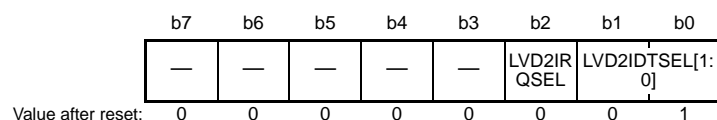
A wait time of two or more PCLKB cycles can be secured by reading an I/O register of which access cycles is specified with PCLKB.

LVD1MON Flag (Voltage Monitoring 1/Comparator A1 Signal Monitor Flag)

The LVD1MON flag is enabled when the LVCMPCR.LVD1E bit is 1 (voltage detection 1 circuit enabled) and the LVD1CR0.LVD1CMPE bit is 1 (voltage monitoring 1 circuit comparison result output enabled).

36.2.3 Voltage Monitoring 2 Circuit/Comparator A2 Control Register 1 (LVD2CR1)

Address: 0008 00E2h

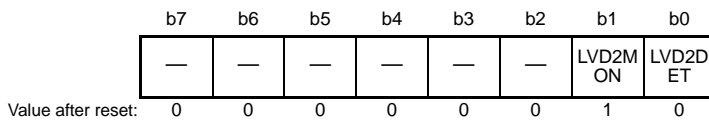


Bit	Symbol	Bit Name	Description	R/W
b1, b0	LVD2IDTSEL [1:0]	Voltage Monitoring 2/Comparator A2 Interrupt/ELC Event Generation Condition Select	b1 b0 0 0: CMPA2 \geq CVREFA 0 1: CMPA2 < CVREFA 1 0: Falling below or rising above is detected. 1 1: Setting prohibited	R/W
b2	LVD2IRQSEL	Voltage Monitoring 2/ Comparator A2 Interrupt Type Select	0: Non-maskable interrupt 1: Maskable interrupt	R/W
b7 to b3	—	Reserved	These bits are read as 0. The write value should be 0.	R/W

Note: • Set the PRCR.PRC3 bit to 1 (write enabled) before rewriting this register.

36.2.4 Voltage Monitoring 2 Circuit/Comparator A2 Status Register (LVD2SR)

Address: 0008 00E3h



Bit	Symbol	Bit Name	Description	R/W
b0	LVD2DET	Voltage Monitoring 2/Comparator A2 Voltage Change Detection Flag	0: Not detected 1: Comparator A2 comparison result change has been detected.	R/W *1
b1	LVD2MON	Voltage Monitoring 2/Comparator A2 Signal Monitor Flag	0: CMPA2 < CVREFA 1: CMPA2 ≥ CVREFA	R
b7 to b2	—	Reserved	These bits are read as 0. The write value should be 0.	R/W

Note: • Set the PRCR.PRC3 bit to 1 (write enabled) before rewriting this register.

Note 1. Only 0 can be written to this bit. After writing 0 to this bit, it takes two system clock cycles for the bit to be read as 0.

LVD2DET Flag (Voltage Monitoring 2/Comparator A2 Voltage Change Detection Flag)

The LVD2DET flag is enabled when the LVCMPCR.LVD2E bit is 1 (voltage detection 2 circuit enabled) and the LVD2CR0.LVD2CMPE bit is 1 (voltage monitoring 2 circuit comparison result output enabled).

The LVD2DET flag should be set to 0 after LVD2CR0.LVD2RIE is set to 0 (disabled). LVD2CR0.LVD2RIE can be set to 1 (enabled) again after a period of PCLKB2 cycle or more has elapsed.

A wait time of two or more PCLKB cycles can be secured by reading an I/O register of which access cycles is specified with PCLKB.

LVD2MON Flag (Voltage Monitoring 2/Comparator A2 Signal Monitor Flag)

The LVD2MON flag is enabled when the LVCMPCR.LVD2E bit is 1 (voltage detection 2 circuit enabled) and the LVD2CR0.LVD2CMPE bit is 1 (voltage monitoring 2 circuit comparison result output enabled).

36.2.5 Voltage Monitoring Circuit/Comparator A Control Register (LVCMPCR)

Address: 0008 C297h

	b7	b6	b5	b4	b3	b2	b1	b0
	—	LVD2E	LVD1E	—	EXVCC INP2	EXVRE FINP2	EXVCC INP1	EXVRE FINP1
Value after reset:	0	0	0	0	0	0	0	0

Bit	Symbol	Bit Name	Description	R/W
b0	EXVREFINP1	Comparator A1 Reference Voltage External Input Select	1: CVREFA pin input voltage Set this bit to 1 when using comparator A1.	R/W
b1	EXVCCINP1	Comparator A1 Comparison Voltage External Input Select	1: CMPA1 pin input voltage Set this bit to 1 when using comparator A1.	R/W
b2	EXVREFINP2	Comparator A2 Reference Voltage External Input Select	1: CVREFA pin input voltage Set this bit to 1 when using comparator A2.	R/W
b3	EXVCCINP2	Comparator A2 Comparison Voltage External Input Select	1: CMPA2 pin input voltage Set this bit to 1 when using comparator A2.	R/W
b4	—	Reserved	This bit is read as 0. The write value should be 0.	R/W
b5	LVD1E	Voltage Detection 1/ Comparator A1 Enable	0: Voltage detection 1 and comparator A1 circuit are disabled. 1: Voltage detection 1 and comparator A1 circuit are enabled.	R/W
b6	LVD2E	Voltage Detection 2/ Comparator A2 Enable	0: Voltage detection 2 and comparator A2 circuit are disabled. 1: Voltage detection 2 and comparator A2 circuit are enabled.	R/W
b7	—	Reserved	This bit is read as 0. The write value should be 0.	R/W

Note: • Set the PRCR.PRC3 bit to 1 (write enabled) before rewriting this register.

The EXVREFINP1, EXVCCINP1, EXVREFINP2, and EXVCCINP2 bits can only be modified when the LVD1E and LVD2E bits are 0 (voltage detection circuit disabled)

LVD1E Bit (Voltage Detection 1/Comparator A1 Enable)

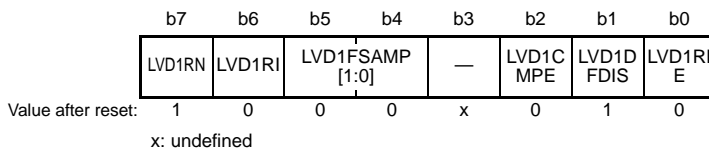
When using voltage detection 1/comparator A1 interrupt/reset or the LVD1SR.LVD1MON bit, set the LVD1E bit to 1. The voltage detection 1/comparator A1 circuit starts once $t_d(E-A)$ passes after the LVD1E bit value is changed from 0 to 1. When using the voltage detection 1/comparator A1 circuit in deep software standby mode, do not set the DPSBYCR.DEEPCUT1 bit to 1.

LVD2E Bit (Voltage Detection 2/Comparator A2 Enable)

When using voltage detection 2/comparator A2 interrupt/reset or the LVD2SR.LVD2MON bit, set the LVD2E bit to 1. The voltage detection 2/comparator A2 circuit starts once $t_d(E-A)$ passes after the LVD2E bit value is changed from 0 to 1. When using the voltage detection 2/comparator A2 circuit in deep software standby mode, do not set the DPSBYCR.DEEPCUT1 bit to 1.

36.2.6 Voltage Monitoring 1 Circuit/Comparator A1 Control Register 0 (LVD1CR0)

Address: 0008 C29Ah



Bit	Symbol	Bit Name	Description	R/W
b0	LVD1RIE	Voltage Monitoring 1/ Comparator A1 Interrupt/Reset Enable	0: Disabled 1: Enabled	R/W
b1	LVD1DFDIS	Voltage Monitoring 1/ Comparator A1 Digital Filter Disable Mode Select	0: Digital filter enabled 1: Digital filter disabled	R/W
b2	LVD1CMPE	Voltage Monitoring 1 Circuit/ Comparator A1 Comparison Result Output Enable	0: Comparator A1 circuit comparison result output is disabled. 1: Comparator A1 circuit comparison result output is enabled.	R/W
b3	—	Reserved	The read value is undefined. The write value should be 0.	R/W
b5, b4	LVD1FSAMP [1:0]	Sampling Clock Select	b5 b4 0 0: LOCO divided by 1 0 1: LOCO divided by 2 1 0: LOCO divided by 4 1 1: LOCO divided by 8	R/W
b6	LVD1RI	Voltage Monitoring 1 Circuit/ Comparator A1 Mode Select	0: The comparator A1 interrupt is generated when CMPA1 has crossed the CVREFA 1: The comparator A1 reset enabled when the CMPA1 has crossed the CVREFA	R/W
b7	LVD1RN	Voltage Monitoring 1/ Comparator A1 Reset Negation Select	0: Negation follows a stabilization time (tLVD1) after CMPA1 > CVREFA 1: Negation follows a stabilization time (tLVD1) after assertion of the comparator A1 reset.	R/W

Note: • Set the PRCR.PRC3 bit to 1 (write enabled) before rewriting this register.

LVD1RIE Bit (Voltage Monitoring 1/Comparator A1 Interrupt/Reset Enable)

The voltage monitoring 1 reset or voltage monitoring 1 non-maskable interrupt should not be generated during flash memory programming/erasure.

LVD1DFDIS Bit (Voltage Monitoring 1/Comparator A1 Digital Filter Disable Mode Select)

Set the LOCOCR.LCSTP bit to 0 (the LOCO operates) if the LVD1DFDIS bit is to be set to 0 (digital filter circuit enabled).

Set the LVD1DFDIS bit to 1 (digital filter circuit disabled) when using a voltage monitoring 1 circuit in software standby mode or deep software standby mode.

LVD1FSAMP[1:0] Bits (Sampling Clock Select)

The LVD1FSAMP[1:0] bits can be modified only when the LVD1DFDIS bit is 1 (digital filter circuit disabled). The LVD1FSAMP[1:0] bits should not be modified when the LVD1DFDIS bit is 0 (digital filter circuit enabled).

LVD1RI Bit (Voltage Monitoring 1 Circuit/Comparator A1 Mode Select)

When the LVD1RI bit is 1 (voltage monitoring 1 reset enabled) or when the LVD2CR0.LVD2RI bit is 1 (voltage monitoring 2 reset enabled), a transition to deep software standby mode cannot be made, instead a transition to software standby mode is made. To enter deep software standby mode, set the LVD1RI bit to 0 (voltage monitoring 1 interrupt enabled) and the LVD2CR0.LVD2RI bit to 0 (voltage monitoring 2 interrupt enabled).

LVD1RN Bit (Voltage Monitoring 1/Comparator A1 Reset Negation Select)

If the LVD1RN bit is to be set to 1 (negation follows a stabilization time after assertion of the voltage monitoring 1 reset signal), set the LOCOCR.LCSTP bit to 0 (the LOCO operates). Furthermore, if a transition to software standby or deep software standby is to be made, the only possible value for the LVD1RN bit is 0 (negation follows a stabilization time after $CMPA1 > CVREFA$ is detected). Do not set the LVD1RN bit to 1 (negation follows a stabilization time after assertion of the voltage monitoring 1 reset signal).

36.2.7 Voltage Monitoring 2 Circuit/Comparator A2 Control Register 0 (LVD2CR0)

Address: 0008 C29Bh

	b7	b6	b5	b4	b3	b2	b1	b0
	LVD2RN	LVD2RI	LVD2FSAMP [1:0]	—	LVD2C MPE	LVD2D FDIS	LVD2RI E	
Value after reset:	1	0	0 0	x	0	1	0	
	x: undefined							

Bit	Symbol	Bit Name	Description	R/W
b0	LVD2RIE	Voltage Monitoring 2/ Comparator A2 Interrupt/Reset Enable	0: Disabled 1: Enabled	R/W
b1	LVD2DFDIS	Voltage Monitoring 2/ Comparator A2 Digital Filter Disable Mode Select	0: Digital filter enabled 1: Digital filter disabled	R/W
b2	LVD2CMPE	Voltage Monitoring 2 Circuit/ Comparator A2 Comparison Result Output Enable	0: Comparator A2 circuit comparison result output is disabled. 1: Comparator A2 circuit comparison result output is enabled.	R/W
b3	—	Reserved	The read value is undefined. The write value should be 0.	R/W
b5, b4	LVD2FSAMP [1:0]	Sampling Clock Select	b5 b4 0 0: LOCO divided by 1 0 1: LOCO divided by 2 1 0: LOCO divided by 4 1 1: LOCO divided by 8	R/W
b6	LVD2RI	Voltage Monitoring 2 Circuit/ Comparator A2 Mode Select	0: The comparator A2 interrupt is generated when CMPA2 has crossed the CVREFA 1: The comparator A2 reset enabled when the CMPA2 has crossed the CVREFA	R/W
b7	LVD2RN	Voltage Monitoring 2/Comparator A2 Reset Negation Select	0: Negation follows a stabilization time (tLVD2) after CMPA2 > CVREFA 1: Negation follows a stabilization time (tLVD2) after assertion of the comparator A2 reset.	R/W

Note: • Set the PRCR.PRC3 bit to 1 (write enabled) before rewriting this register.

LVD2RIE Bit (Voltage Monitoring 2/Comparator A2 Interrupt/Reset Enable)

The voltage monitoring 2 reset or voltage monitoring 2 non-maskable interrupt should not be generated during flash memory programming/erasure.

LVD2DFDIS Bit (Voltage Monitoring 2/Comparator A2 Digital Filter Disable Mode Select)

Set the LOCOCR.LCSTP bit to 0 (the LOCO operates) if the LVD2DFDIS bit is to be set to 0 (digital filter circuit enabled).

Set the LVD2DFDIS bit to 1 (digital filter circuit disabled) when using a voltage monitoring 2 circuit in software standby mode or deep software standby mode.

LVD2FSAMP[1:0] Bits (Sampling Clock Select)

The LVD2FSAMP[1:0] bits can be modified only when the LVD2DFDIS bit is 1 (digital filter circuit disabled). The LVD2FSAMP[1:0] bits should not be modified when the LVD2DFDIS bit is 0 (digital filter circuit enabled).

LVD2RI Bit (Voltage Monitoring 2 Circuit/Comparator A2 Mode Select)

When the LVD2RI bit is 1 (voltage monitoring 2 reset enabled) or when the LVD1CR0.LVD1RI bit is 1 (voltage monitoring 1 reset enabled), a transition to deep software standby mode cannot be made, instead a transition to software standby mode is made.

LVD2RN Bit (Voltage Monitoring 2/Comparator A2 Reset Negation Select)

If the LVD2RN bit is to be set to 1 (negation follows a stabilization time after assertion of the voltage monitoring 2 reset signal), set the LOCOCR.LCSTP bit to 0 (the LOCO operates). Furthermore, if a transition to software standby or deep software standby is to be made, the only possible value for the LVD2RN bit is 0 (negation follows a stabilization time after $CMPA2 > CVREFA$ is detected). Do not set the LVD2RN bit to 1 (negation follows a stabilization time after assertion of the voltage monitoring 2 reset signal).

36.3 Monitoring Comparison Results

36.3.1 Monitoring Comparator A1

Table 36.3 lists the procedures for setting up monitoring against comparator A1. After making the following settings, the LVD1SR.LVD1MON flag can be used to monitor the results of comparison by comparator A1.

Table 36.3 Procedures for Setting up Monitoring against comparator A1

Step	When the Digital Filter is in Use	When the Digital Filter is Not in Use
1	Set the LVMPCR.EXVREFINP1 bit to 1 (CVREFA pin input voltage). Set the LVMPCR.EXVCCINP1 bit to 1 (CMPA1 pin input voltage).	
2	Select the sampling clock for the digital filter by setting the LVD1CR0.LVD1FSAMP[1:0] bits.	Set the LVD1CR0.LVD1DFDIS bit to 1 (disabling the digital filter).
3	Set the LVMPCR.LVD1E bit to 1 (enabling the circuit for comparator A1).	
4	Wait for at least $t_d(E-A)$ or longer.	
5	Set the LVD1CR0.LVD1CMPE bit to 1 (enabling output of the results of comparison by the comparator A1 circuit).	
6	Wait for at least one cycle of the LOCO.	—
7	Clear the LVD1CR0.LVD1DFDIS bit to 0 (enabling the digital filter).	—
8	Wait for at least $2n + 3$ cycles of the LOCO (where $n = 1, 2, 4, 8$, and the sampling clock for the digital filter is the LOCO frequency-divided by n).	— (No waiting is required.)

36.3.2 Monitoring Comparator A2

Table 36.4 lists the procedures for setting up monitoring against comparator A2. After making the following settings, the LVD2SR.LVD2MON flag can be used to monitor the results of comparison by comparator A2.

Table 36.4 Procedures for Setting up Monitoring against comparator A2

Step	When the Digital Filter is in Use	When the Digital Filter is Not in Use
1	Set the LVMPCR.EXVREFINP2 bit to 1 (CVREFA pin input voltage). Set the LVMPCR.EXVCCINP2 bit to 1 (CMPA2 pin input voltage).	
2	Select the sampling clock for the digital filter by setting the LVD2CR0.LVD2FSAMP[1:0] bits.	Set the LVD2CR0.LVD2DFDIS bit to 1 (disabling the digital filter).
3	Set the LVMPCR.LVD2E bit to 1 (enabling the circuit for comparator A2).	
4	Wait for at least $t_d(E-A)$ or longer.	
5	Set the LVD2CR0.LVD2CMPE bit to 1 (enabling output of the results of comparison by the comparator A2 circuit).	
6	Wait for at least one cycle of the LOCO.	—
7	Clear the LVD2CR0.LVD2DFDIS bit to 0 (enabling the digital filter).	—
8	Wait for at least $2n + 3$ cycles of the LOCO (where $n = 1, 2, 4, 8$, and the sampling clock for the digital filter is the LOCO frequency-divided by n).	— (No waiting is required.)

36.4 Operation

Comparator A1 and comparator A2 operate independently.

The comparison result of the reference input voltage and analog input voltage can be read by software. An input voltage to the CVREFA pin can be used as the reference input voltage. The comparator A1 interrupt and the comparator A2 interrupt can be used, and non-maskable or maskable can be selected for each interrupt type.

36.4.1 Comparator A1

Table 36.5 shows the procedure for setting bits related to the comparator A1 interrupt/ELC, Table 36.6 shows the procedures for stopping bits related to the comparator A1 interrupt/ELC, and Figure 36.2 shows an operating example of comparator A1.

Table 36.5 Procedures for Setting Bits Related to the Comparator A1 Interrupt/ELC

Step No.	When Using Digital Filter	When Using No Digital Filter
1 *2	Set the LVCMPCR.EXVREFINP1 bit to 1 (CVREFA pin input voltage). Set the LVCMPCR.EXVCCINP1 bit to 1 (CMPA1 pin input voltage).	
2 *1	Select the sampling clock for the digital filter by setting the LVD1CR0.LVD1FSAMP[1:0] bits.	—
3 *1, *2	Set the LVD1CR0.LVD1RI bit to 0 (comparator A1 interrupt).	
4	Set the LVD1CR1.LVD1IDTSEL[1:0] bits to select the interrupt request timing. Set the LVD1CR1.LVD1IRQSEL bit to select the interrupt type.	
5 *2	Set the LVCMPCR.LVD1E bit to 1 (enabling the circuit for comparator A1).	
6 *2	Wait for at least $t_d(E-A)$ or longer.	
7	Set the LVD1CR0.LVD1CMPE bit to 1 (enabling output of the results of comparison by the comparator A1 circuit).	
8	Wait for at least one cycle of the LOCO.	—
9	Clear the LVD1CR0.LVD1DFDIS bit to 0 (enabling the digital filter).	—
10	Wait for at least $2n + 3$ cycles of the LOCO (where $n = 1, 2, 4, 8$, and the sampling clock for the digital filter is the LOCO frequency-divided by n).	—
11	Clear the LVD1SR.LVD1DET bit to 0.	
12	Set the LVD1CR0.LVD1RIE bit to 1 (enable comparator A1 interrupts). Events to the ELC are always output regardless of the setting of this bit.	

Note 1. Executing steps 2 and 3 at the same time (with a single instruction) creates no problems.

Note 2. Steps 1, 3, 5, and 6 are not required if operation is with the setting to select the comparator A1 interrupt ($LVD1CR0.LVD1RI = 0$) and operation can be restarted by simply changing the settings of the LVD1CR0.LVD1DFDIS and LVD1FSAMP bits or LVD1CR1.LVD1IRQSEL and LVD1IDTSEL bits after operation is stopped or if restarting is in a case where the settings related to the comparator A1 circuit were not changed after operation was stopped.

Table 36.6 Procedures for Stopping Bits Related to the Comparator A1 Interrupt/ELC

Step No.	
1	Set the LVD1CR0.LVD1RIE bit to 0 (disable comparator A1 interrupts).
2	Clear the LVD1CR0.LVD1CMPE bit to 0 (comparator A1 circuit comparison result output is disabled).
3 *1	Clear the LVCMPCR.LVD1E bit to 0 (comparator A1 circuit disabled).
4	Modify settings of bits related to the voltage detection circuit registers other than LVCMPCR.LVD1E, LVD1CR0.LVD1RIE, and LVD1CR0.LVD1CMPE.

Note 1. Step 3 is not required if operation is with the setting to select the comparator A1 interrupt ($LVD1CR0.LVD1RI = 0$) and operation can be restarted by simply changing the settings of the LVD1CR0.LVD1DFDIS and LVD1FSAMP bits or LVD1CR1.LVD1IRQSEL and LVD1IDTSEL bits after operation is stopped or if restarting is in a case where the settings related to the comparator A1 circuit were not changed after operation was stopped.

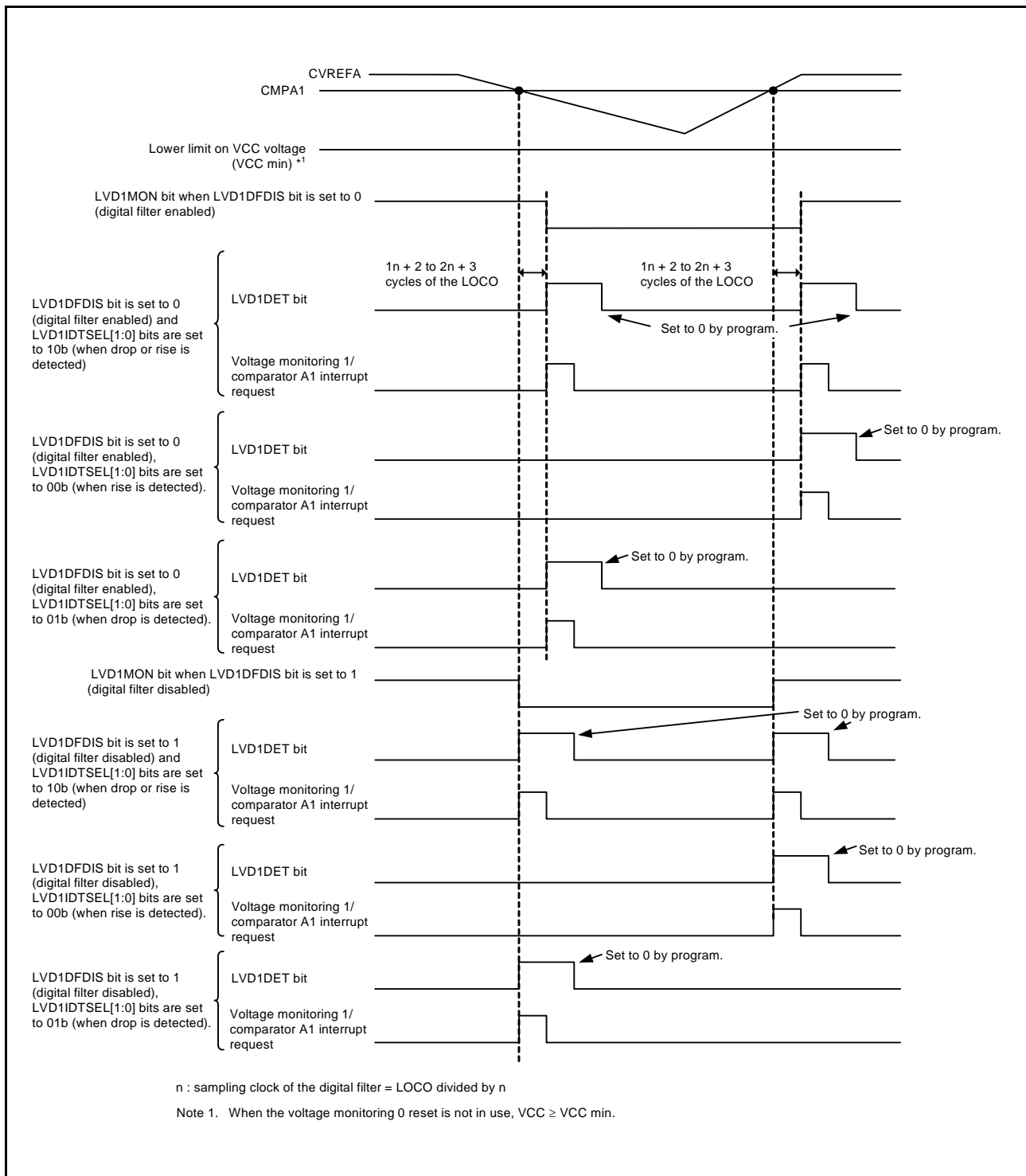


Figure 36.2 Operating Example of Comparator A1

36.4.2 Comparator A2

Table 36.7 shows the procedure for setting bits related to the comparator A2 interrupt/ELC, Table 36.8 shows the procedures for stopping bits related to the comparator A2 interrupt/ELC, and Figure 36.3 shows an operating example of comparator A2.

Table 36.7 Procedures for Setting Bits Related to the Comparator A2 Interrupt/ELC

Step No.	When Using Digital Filter	When Using No Digital Filter
1 *2	Set the LVCMPCR.EXVREFINP2 bit to 1 (CVREFA pin input voltage). Set the LVCMPCR.EXVCCINP2 bit to 1 (CMPA2 pin input voltage).	
2 *1	Select the sampling clock for the digital filter by setting the LVD2CR0.LVD2FSAMP[1:0] bits.	—
3 *1, *2	Set the LVD2CR0.LVD2RI bit to 0 (comparator A2 interrupt).	
4	Set the LVD2CR1.LVD2IDTSEL[1:0] bits to select the interrupt request timing. Set the LVD2CR1.LVD2IRQSEL bit to select the interrupt type.	
5 *2	Set the LVCMPCR.LVD2E bit to 1 (enabling the circuit for comparator A2).	
6 *2	Wait for at least $t_d(E-A)$ or longer.	
7	Set the LVD2CR0.LVD2CMPE bit to 1 (enabling output of the results of comparison by the comparator A2 circuit).	
8	Wait for at least one cycle of the LOCO.	—
9	Clear the LVD2CR0.LVD2DFDIS bit to 0 (enabling the digital filter).	—
10	Wait for at least $2n + 3$ cycles of the LOCO (where $n = 1, 2, 4, 8$, and the sampling clock for the digital filter is the LOCO frequency-divided by n).	—
11	Clear the LVD2SR.LVD2DET bit to 0.	
12	Set the LVD1CR0.LVD1RIE bit to 1 (enable comparator A2 interrupts). Events to the ELC are always output regardless of the setting of this bit.	

Note 1. Executing steps 2 and 3 at the same time (with a single instruction) creates no problems.

Note 2. Steps 1, 3, 5, and 6 are not required if operation is with the setting to select the comparator A2 interrupt ($LVD2CR0.LVD2RI = 0$) and operation can be restarted by simply changing the settings of the LVD2CR0.LVD2DFDIS and LVD2FSAMP bits or LVD2CR1.LVD2IRQSEL and LVD2IDTSEL bits after operation is stopped or if restarting is in a case where the settings related to the comparator A2 circuit were not changed after operation was stopped.

Table 36.8 Procedures for Stopping Bits Related to the Comparator A2 Interrupt/ELC

Step No.	
1	Set the LVD2CR0.LVD2RIE bit to 0 (disable comparator A2 interrupts).
2	Clear the LVD2CR0.LVD2CMPE bit to 0 (comparator A2 circuit comparison result output is disabled).
3 *1	Clear the LVCMPCR.LVD2E bit to 0 (comparator A2 circuit disabled).
4	Modify settings of bits related to the voltage detection circuit registers other than LVCMPCR.LVD2E, LVD2CR0.LVD2RIE, and LVD2CR0.LVD2CMPE.

Note 1. Step 3 is not required if operation is with the setting to select the comparator A2 interrupt ($LVD2CR0.LVD2RI = 0$) and operation can be restarted by simply changing the settings of the LVD2CR0.LVD2DFDIS and LVD2FSAMP bits or LVD2CR1.LVD2IRQSEL and LVD2IDTSEL bits after operation is stopped or if restarting is in a case where the settings related to the comparator A2 circuit were not changed after operation was stopped.

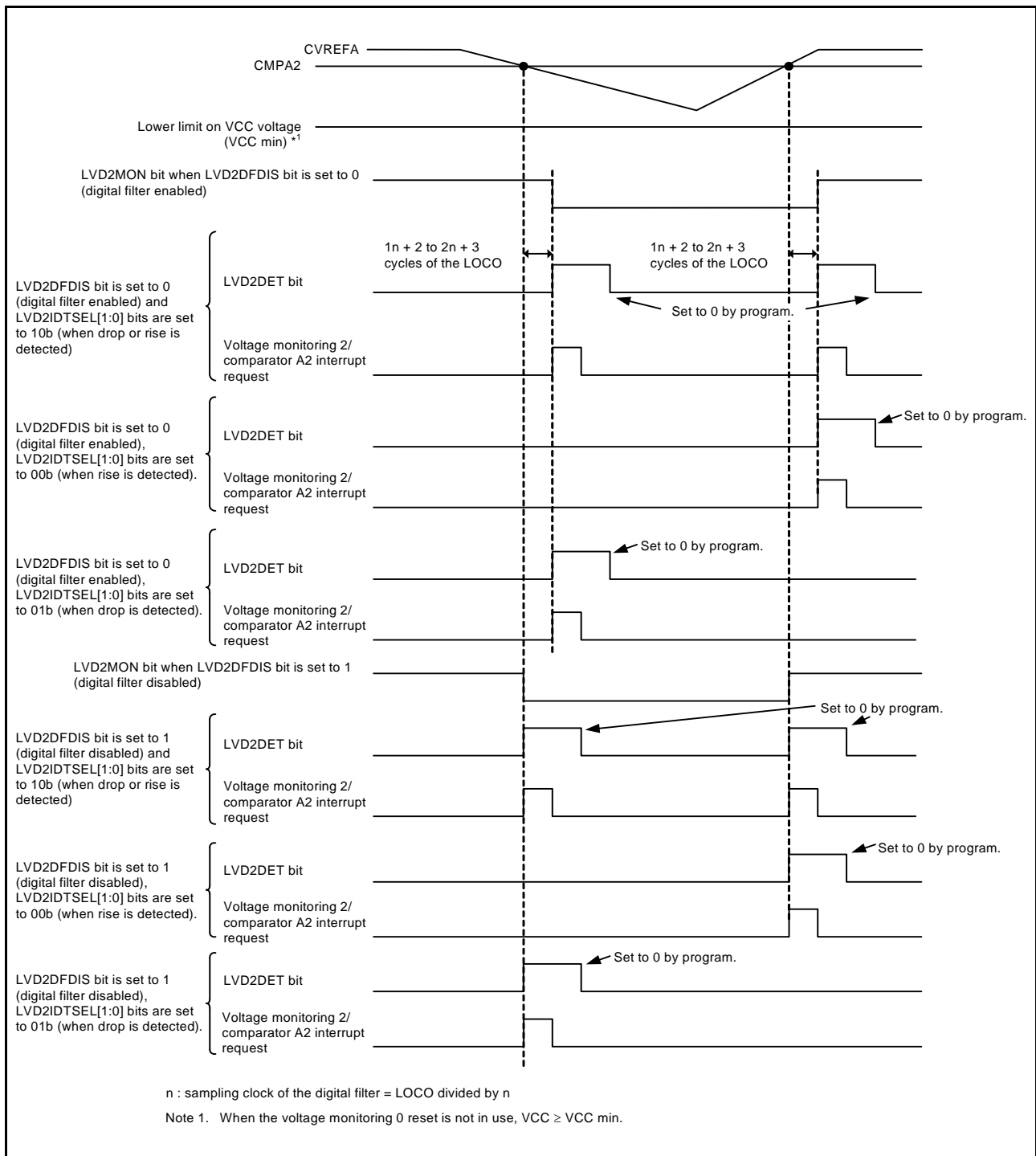


Figure 36.3 Operating Example of Comparator A2

36.5 Comparator A1 and Comparator A2 Interrupts

The two interrupt requests (from comparators A1 and A2) are generated with the following timing.

(1) When the input voltage on the CMPA1 pin has crossed the reference voltage on the CVREFA pin

(2) When the input voltage on the CMPA2 pin has crossed the reference voltage on the CVREFA pin

The LVDiCR1.LVDiIDTSEL[1:0] bits are used to select interrupt request generating conditions: rising above, falling below, or either of the two.

Non-maskable or maskable can be selected for each interrupt type.

For interrupts, refer to section 14, Interrupt Controller (ICUb).

36.5.1 Non-maskable Interrupts

When the LVDiCR1.LVDiIRQSEL bit is 0, the comparator Ai interrupt functions as a non-maskable interrupt. When the selected interrupt request timing occurs, the LVDiSR.LVDiMON bit is set to 1. At this time, if the NMIER.LVDiEN bit of the interrupt controller (ICU) is 1, a non-maskable interrupt request for comparator Ai is generated.

36.5.2 Maskable Interrupts

When the LVDiCR1.LVDiIRQSEL bit is 1, the comparator Ai interrupt functions as a maskable interrupt.

If the condition for the selected interrupt request is satisfied when the LVDiCR0.LVDiRIE bit is 1 and the

LVDiCR0.LVDiDFDIS is 0, the LVDiSR.LVDiMON bit becomes 1 and the comparator Ai interrupt request is generated.

At this time, if the setting of the IER0B.IEN0 or IER0B.IEN1 bit in the ICU is 1 (interrupt enabled) and the setting of the IPR88.IPR[3:0] and IPR89[3:0] bits is higher than the level indicated by the PSW.IPL[3:0] bits in the CPU, the IR088.IR or IR089.IR bit becomes 1 (interrupt requested), and comparator Ai generates a maskable interrupt request.

For information on the IEN0B, IR088, IR089, IPR088, and IPR089 registers and on the interrupt vectors, see section 14, Interrupt Controller (ICUb).

36.6 Event Link Output

Comparator A1 and comparator A2 output the event signals for the event link controller (ELC) in the following timing, and these can be used to initiate operations of other modules selected in advance.

- (1) When the input voltage on the CMPA1 pin has crossed the reference voltage on the CVREFA pin
- (2) When the input voltage on the CMPA2 pin has crossed the reference voltage on the CVREFA pin

In the same way as for the interrupt sources, the conditions for generation of the event signals for the ELC can be selected as crossing while rising, crossing while falling, or either of the two by setting the LVDiDTSEL[1:0] bits in LVDiCR1.

When enabling the comparator A's event link output function, be sure to make settings for enabling the comparator A before enabling the comparator A event link function of the ELC. To stop the comparator A's event link output function, be sure to make settings for stopping comparator A after disabling the comparator A event link function of the ELC.

36.7 Interrupt Handling and Event Linking

Output of event signals to the event link controller (ELC) is independent of the output of interrupt requests to the interrupt controller. Accordingly, event signals are output to the ELC regardless of the settings of the LVDiRIE and LVDiRI bits in LVDiCR0 and the LVDiIRQSEL bit in LVDiCR1.

37. Comparator B (CMPB)

Comparator B compares a reference input voltage and an analog input voltage. Comparator B0 and comparator B1 are independent of each other.

37.1 Overview

The comparison result of the reference input voltage and analog input voltage can be read by software. An input to the CVREFBn pin (n = 0, 1) can be used as the reference input voltage.

Table 37.1 lists the comparator B specifications, Figure 37.1 shows a block diagram of comparator B, and Table 37.2 lists the I/O pins.

Table 37.1 Comparator B Specifications

Item	Specification
Analog input voltage	Input voltage to the CMPBn pin (n = 0, 1)
Reference input voltage	Input voltage to the CVREFBn pin (n = 0, 1)
Comparison result	Read from the CPBFLG.CPBiOUT flag (i = 0, 1)
Interrupt request generation timing	When comparator B0 comparison result changes When comparator B1 comparison result changes
Event generation timing to ELC	When comparator B0 comparison result changes When comparator B0 or comparator B1 comparison result changes
Selectable function	Digital filter function Whether the digital filter is applied or not, and the sampling frequency can be selected.
Power consumption reduction function	Module stop state can be set.

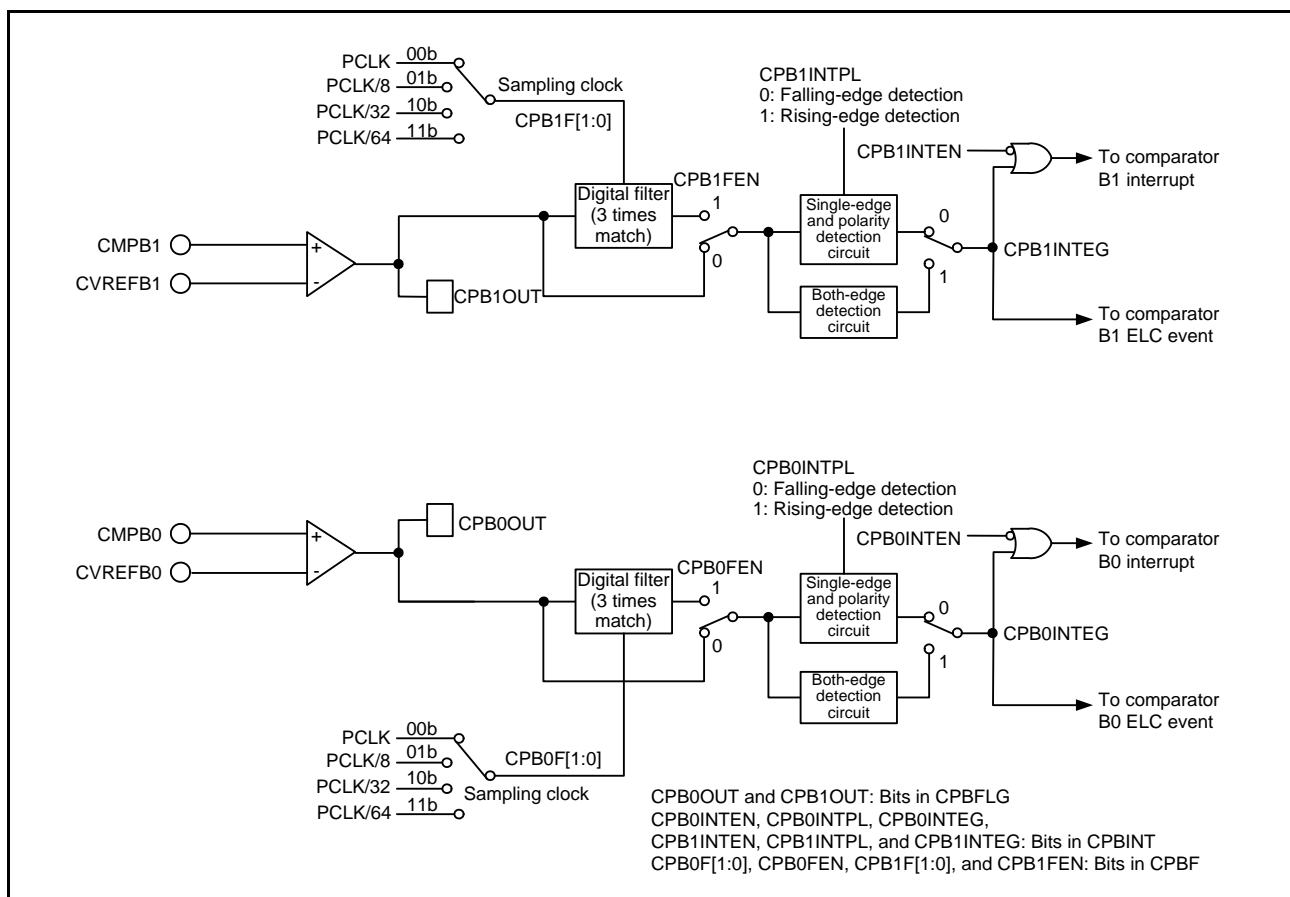


Figure 37.1 Block Diagram of Comparator B

Table 37.2 Input Pins

Pin Name	I/O	Function
CMPB0	Input	Comparator B0 analog pin
CVREFB0	Input	Comparator B0 reference voltage pin
CMPB1	Input	Comparator B1 analog pin
CVREFB1	Input	Comparator B1 reference voltage pin

37.2 Register Descriptions

37.2.1 Comparator B Control Register 1 (CPBCNT1)

Address: 0008 C580h

b7	b6	b5	b4	b3	b2	b1	b0
—	—	—	CPB1I NI	—	—	—	CPB0I NI

Value after reset: 0 0 0 0 0 0 0 0

Bit	Symbol	Bit Name	Description	R/W
b0	CPB0INI	Comparator B0 Power Enable	0: Disabled 1: Enabled	R/W
b3 to b1	—	Reserved	These bits are read as 0. The write value should be 0.	R/W
b4	CPB1INI	Comparator B1 Power Enable	0: Disabled 1: Enabled	R/W
b7 to b5	—	Reserved	These bits are read as 0. The write value should be 0.	R/W

37.2.2 Comparator B Flag Register (CPBFLG)

Address: 0008 C582h

b7	b6	b5	b4	b3	b2	b1	b0
CPB1O UT	—	—	—	CPB0O UT	—	—	—

Value after reset: 0 0 0 0 0 0 0 0

Bit	Symbol	Bit Name	Description	R/W
b2 to b0	—	Reserved	These bits are read as 0. The write value should be 0.	R/W
b3	CPB0OUT	Comparator B0 Monitor Flag	0: CMPB0 < CVREFB0 1: CMPB0 > CVREFB0	R
b6 to b4	—	Reserved	These bits are read as 0. The write value should be 0.	R/W
b7	CPB1OUT	Comparator B1 Monitor Flag	0: CMPB1 < CVREFB1 1: CMPB1 > CVREFB1	R

37.2.3 Comparator B Interrupt Control Register (CPBINT)

Address: 0008 C583h

b7	b6	b5	b4	b3	b2	b1	b0
—	CPB1 NTPL	CPB1 NTEG	CPB1 NTEN	—	CPB0 NTPL	CPB0 NTEG	CPB0 NTEN

Value after reset: 0 0 0 0 0 0 0 0

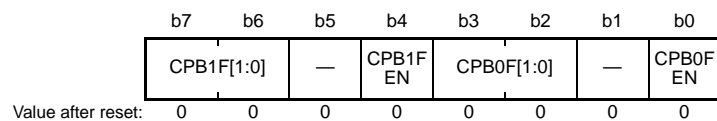
Bit	Symbol	Bit Name	Description	R/W
b0	CPB0INTEN	Comparator B0 Interrupt Enable	0: Disabled 1: Enabled	R/W
b1	CPB0INTEG	Comparator B0 Interrupt/ELC Edge Select*1	0: Single edge 1: Both edges	R/W
b2	CPB0INTPL	Comparator B0 Interrupt/ELC Edge Polarity Select*2	0: Falling edge 1: Rising edge	R/W
b3	—	Reserved	This bit is read as 0. The write value should be 0.	R/W
b4	CPB1INTEN	Comparator B1 Interrupt Enable	0: Disabled 1: Enabled	R/W
b5	CPB1INTEG	Comparator B1 Interrupt/ELC Edge Select*1	0: Single edge 1: Both edges	R/W
b6	CPB1INTPL	Comparator B1 Interrupt/ELC Edge Polarity Select*2	0: Falling edge 1: Rising edge	R/W
b7	—	Reserved	This bit is read as 0. The write value should be 0.	R/W

Note 1. The IR058.IR bit may become 1 (interrupt request is generated) when the CPB0INTPL bit is modified, and the IR059.IR bit may become 1 (interrupt request is generated) when the CPB1INTPL bit is modified. For details, refer to section 14, Interrupt Controller (ICUb).

Note 2. The CPBiINTPL bit setting is valid only when the CPBiINTEG bit is 0 (single edge is selected as the comparator interrupt edge).

37.2.4 Comparator B Filter Select Register (CPBF)

Address: 0008 C584h



Bit	Symbol	Bit Name	Description	R/W
b0	CPB0FEN	Comparator B0 Filter Enable/Disable Select	0: Filter is disabled. 1: Filter is enabled.	R/W
b1	—	Reserved	This bit is read as 0. The write value should be 0.	RW
b3, b2	CPB0F[1:0]	Comparator B0 Filter Select	b3 b2 0 0: Sampling at PCLK 0 1: Sampling at PCLK/8 1 0: Sampling at PCLK/32 1 1: Sampling at PCLK/64	R/W
b4	CPB1FEN	Comparator B1 Filter Enable/Disable Select	0: Filter is disabled. 1: Filter is enabled.	R/W
b5	—	Reserved	This bit is read as 0. The write value should be 0.	RW
b7, b6	CPB1F[1:0]	Comparator B1 Filter Select	b7 b6 0 0: Sampling at PCLK 0 1: Sampling at PCLK/8 1 0: Sampling at PCLK/32 1 1: Sampling at PCLK/64	R/W

37.3 Operation

Comparator B0 and comparator B1 operate independently, and their operations are the same. Table 37.3 shows the procedure for setting registers associated with comparator B.

Table 37.3 Procedure for Setting Registers Associated with Comparator B

Step No.	Register	Bit	Setting
1	CPBCNT1	CPBiINI (i = 0, 1)	Powered on: 1
2	CPBF		Select whether to enable or disable the filter and select the sampling clock.
3	CPBINT	CPBiINTEN (i = 0, 1)	When using an interrupt: 1 (interrupt enabled)
		CPBiINTEG (i = 0, 1)	When using an interrupt/ELC: Select the input edge (single edge or both edges).
		CPBiINTPL (i = 0, 1)	When using an interrupt/ELC: For CPBiINTEG = 0 (single edge selected), select the input polarity (rising edge or falling edge).
4	IPR58 (comparator B0), IPR59 (comparator B1)	IPR[3:0]	When using an interrupt: Select the interrupt priority level.
	IR058 (comparator B0), IR059 (comparator B1)	IR	When using an interrupt: 0 (no interrupt requested: initialization)
	IER07	IEN2 (comparator B0), IEN3 (comparator B1)	When using an interrupt: 1 (interrupt is enabled on the interrupt controller (ICU) side)
5	Waiting for comparator settling time (up to 100 μ s)		

Figure 37.2 shows an operating example of comparator Bi (i = 0, 1).

If the analog input voltage is higher than the reference input voltage, the CPBiOUT bit in CPBFLG is set to 1. If the analog input voltage is lower than the reference input voltage, the CPBiOUT bit is set to 0.

To use the comparator Bi interrupt, set the CPBiINTEN bit in CPBINT to 1 (interrupt enabled). If the comparison result changes at this time, a comparator Bi interrupt request is generated. For details on interrupts, refer to section 37.4, **Comparator B0 and Comparator B1 Interrupts**.

Comparator Bi outputs event signals to the ELC to activate other modules. For details on the ELC, refer to section 37.5, **Event Link Output**.

The values of the registers should not be changed during comparison.

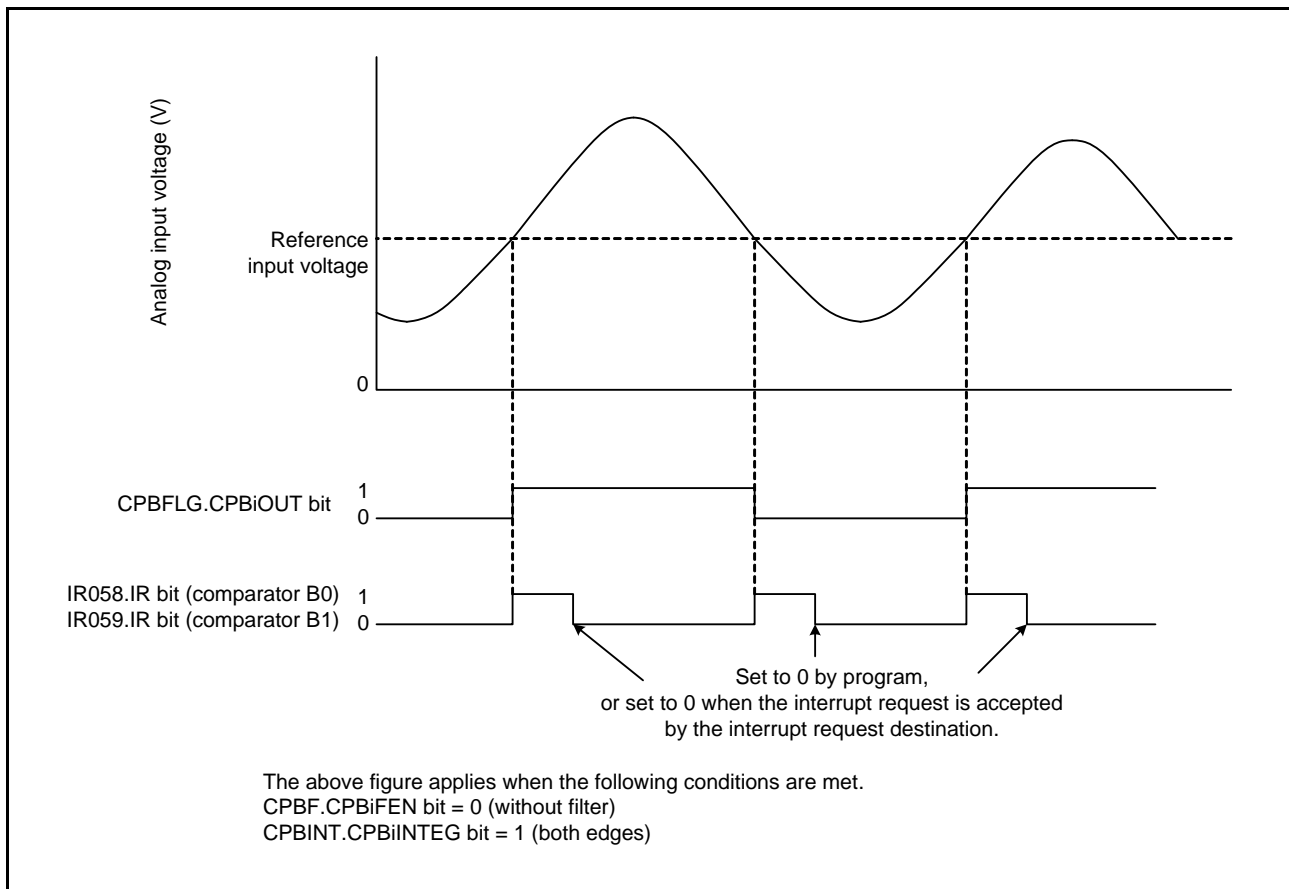


Figure 37.2 Operating Example of Comparator Bi (i = 0, 1)

37.3.1 Comparator Bi Digital Filter (i = 0, 1)

The sampling clock can be selected by the CPBiF1 and CPBiF0 bits in CPBF. The CPBiOUT signal (internal signal) output from comparator Bi is sampled at every sampling clock cycle. When the level matches three times, the IR058.IR bit (when comparator B0 selected) or IR059.IR bit (when comparator B1 selected) is set to 1 (interrupt requested) and an ELC event is output.

Figure 37.3 shows the configuration of the comparator Bi digital filter, and Figure 37.4 shows an operating example of the comparator Bi digital filter.

37.5 Event Link Output

Comparator B outputs the following events to the event link controller (ELC)

- (1) Comparison result of comparator B0 is changed.
- (2) Comparison result of either comparator B0 or comparator B1 is changed.

If the comparison results of comparator B0 and comparator B1 are output simultaneously or in succession, they are output as a single event.

37.5.1 Interrupt Handling and Event Linking

Comparator Bi outputs event signals to the event link controller (ELC) to initiate operations of other modules selected in advance. Event signals to the event link controller (ELC) is output independent of the CPBiINTEN bit value.

In the same way as for the interrupt sources, the conditions for generation of the event signals output from comparator Bi to the ELC can be selected as a single-edge detection or both-edge detection by setting the CPBiINTEG bit in CPBINT. When the single-edge detection is selected, the polarity can be selected by the CPBiINTPL bit in CPBINT.

37.6 Usage Note

37.6.1 Module Stop Function Setting

Operation of the comparator B can be disabled or enabled by using module stop control register B (MSTPCRB). The initial setting is for the comparator B to be halted. Register access is enabled by canceling the module stop state. For details, see section 11, Low Power Consumption.

38. Data Operation Circuit (DOC)

38.1 Overview

The data operation circuit (DOC) is used to compare, add, and subtract 16-bit data.

Table 38.1 lists the data operation circuit specifications and Figure 38.1 shows a block diagram of the data operation circuit.

- 16-bit data comparison and interrupt generation on a specified condition
- 16-bit data addition
- 16-bit data subtraction

Table 38.1 Specifications of Data Operation Circuit

Item	Description
Data operation function	16-bit data comparison, addition, and subtraction
Power consumption reduction function	Module stop state can be set.

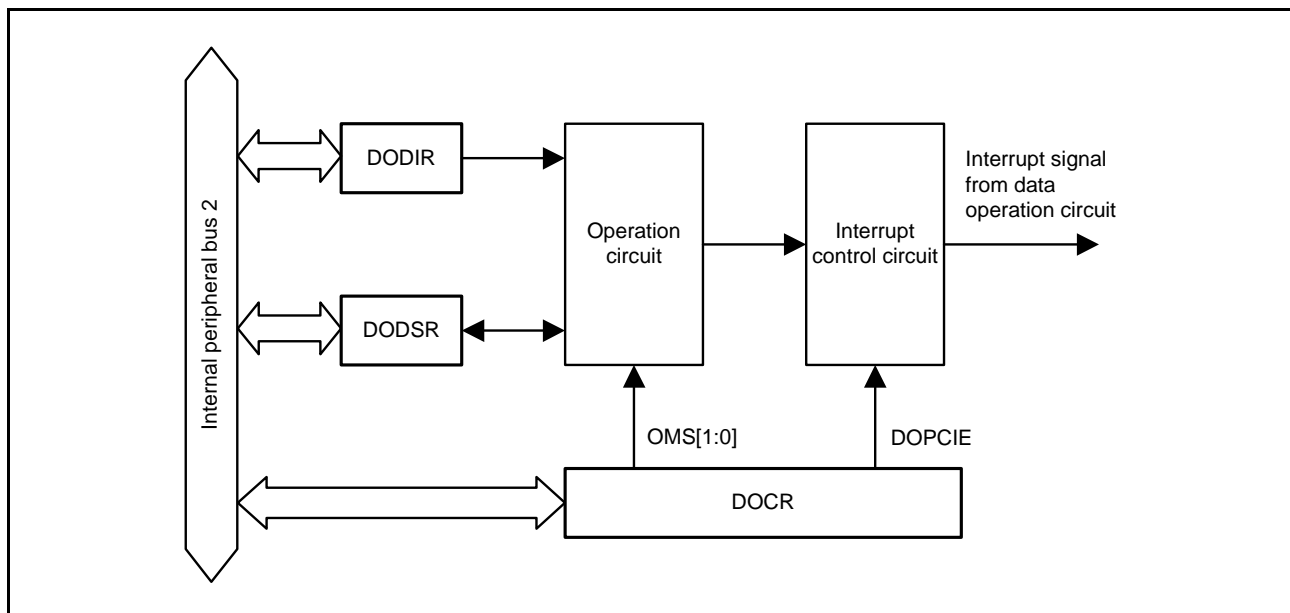
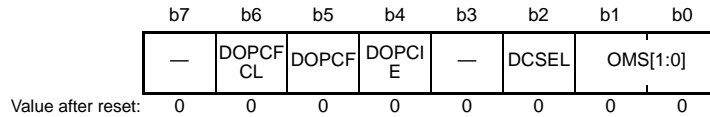


Figure 38.1 Block Diagram of Data Operation Circuit

38.2 Register Descriptions

38.2.1 DOC Control Register (DOCR)

Address: 0008 B080h



Bit	Symbol	Bit Name	Description	R/W
b1, b0	OMS[1:0]	Operating Mode Select	b1 b0 0 0: Data comparison mode 0 1: Data addition mode 1 0: Data subtraction mode 1 1: Setting prohibited	R/W
b2	DCSEL*1	Detection Condition Select	0: Detects mismatch as a result of data comparison. 1: Detects match as a result of data comparison.	R/W
b3	—	Reserved	This bit is read as 0. The write value should be 0.	R/W
b4	DOPCIE	Data Operation Circuit Interrupt Enable	0: Disables interrupts from the data operation circuit. 1: Enables interrupts from the data operation circuit.	R/W
b5	DOPCF	Data Operation Circuit Flag	Indicates the result of an operation.	R
b6	DOPCFCL	DOPCF Clear	0: Maintains the DOPCF flag state. 1: Clears the DOPCF flag.	R/W
b7	—	Reserved	This bit is read as 0. The write value should be 0.	R/W

Note 1. This bit is only valid in data comparison mode.

OMS[1:0] Bits (Operating Mode Select)

These bits select the operating mode of the data operation circuit.

DCSEL Bit (Detection Condition Select)

This bit is only valid in data comparison mode.

This bit selects the condition for detection in data comparison mode.

DOPCIE Bit (Data Operation Circuit Interrupt Enable)

Setting this bit to 1 enables interrupts from the data operation circuit.

DOPCF Flag (Data Operation Circuit Flag)

[Setting conditions]

- The condition selected by the DCSEL bit being met
- A result of data addition being greater than FFFFh
- A result of data subtraction being less than 0000h

[Clearing condition]

- Writing 1 to the DOPCFCL bit

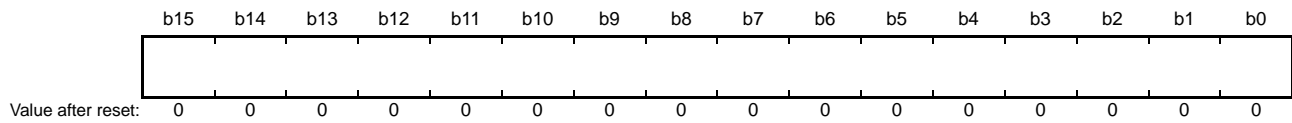
DOPCFCL Bit (DOPCF Clear)

Setting this bit to 1 clears the DOPCF flag.

This bit is read as 0.

38.2.2 DOC Data Input Register (DODIR)

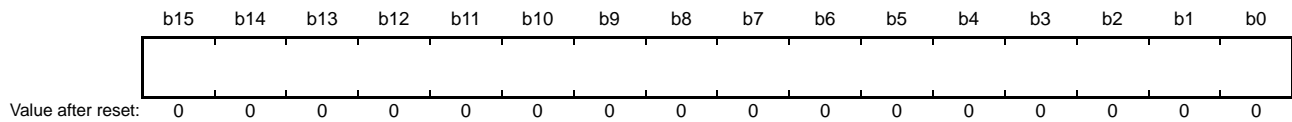
Address: 0008 B082h



DODIR is a 16-bit readable/writable register in which 16-bit data for use in the operations are stored.

38.2.3 DOC Data Setting Register (DODSR)

Address: 0008 B084h



DODSR is a 16-bit readable/writable register in which 16-bit data for use as a reference in data comparison mode are stored. This register also stores the results of operations in data addition and data subtraction modes.

38.3 Operation

38.3.1 Data Comparison Mode

Figure 38.2 shows an example of the steps involved in data comparison mode operation by the data operation circuit.

1. Writing 00b to the DOCR.OMS[1:0] bits selects data comparison mode.
2. The 16-bit reference data is set in DODSR.
3. 16-bit data for comparison is written to DODIR.
4. Writing of 16-bit data continues until all data for comparison have been written to DODIR.
5. If a value written to DODIR does not match that in DODSR*1, the DOCR.DOPCF flag is set to 1. On setting of the DOCR.DOPCIE bit to 1, a data operation circuit interrupt is also generated.

Note 1. When DOCR.DCSEL = 0

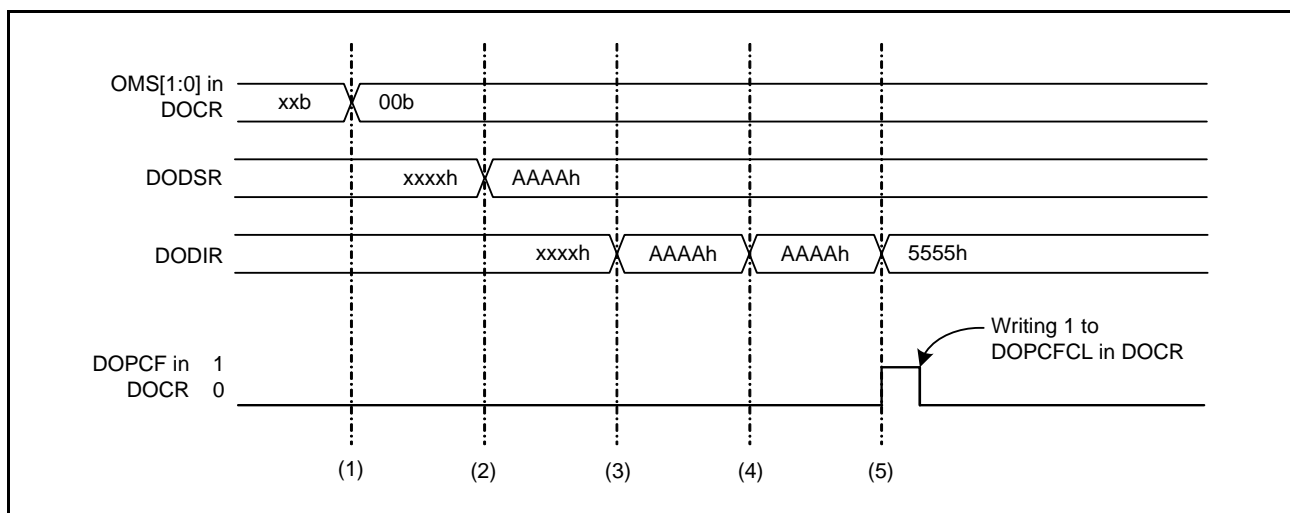


Figure 38.2 Example of Operation in Data Comparison Mode

38.3.2 Data Addition Mode

Figure 38.3 shows an example of the steps involved in data addition mode operation by the data operation circuit.

1. Writing 01b to the DOCR.OMS[1:0] bits selects data addition mode.
2. A 16-bit initial value is set in DODSR.
3. 16-bit data to be added is written to DODIR. The result of the operation is stored in DODSR.
4. Writing of 16-bit data continues until all data for addition have been written to DODIR.
5. If the result of an operation is greater than FFFFh, the DOCR.DOPCF flag is set to 1. On setting of the DOCR.DOPCF bit to 1, a data operation circuit interrupt is also generated.

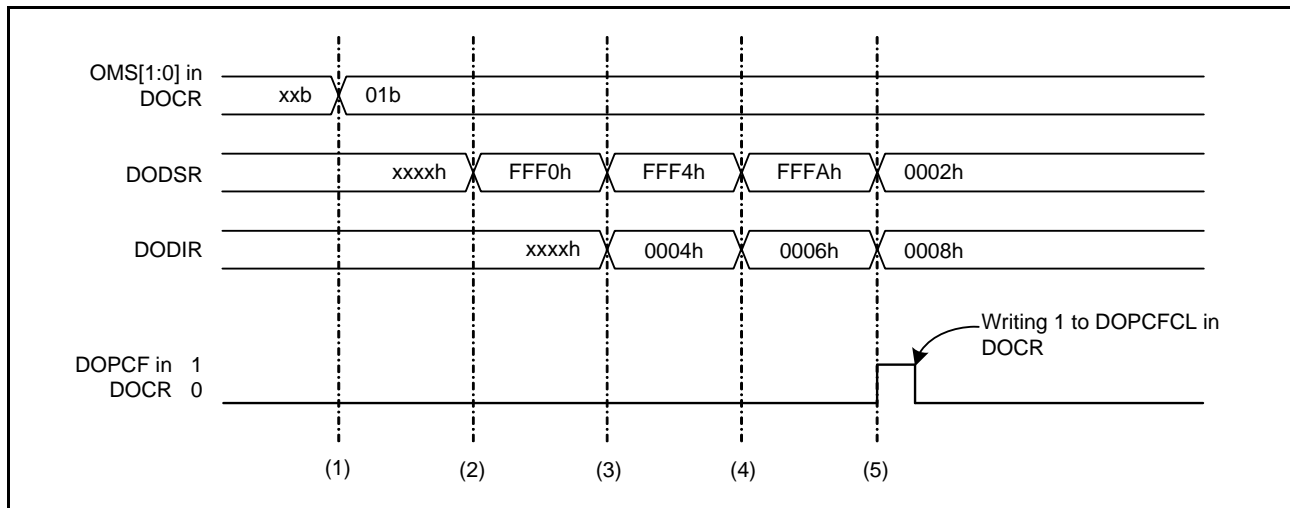


Figure 38.3 Example of Operation in Data Addition Mode

38.3.3 Data Subtraction Mode

Figure 38.4 shows an example of the steps involved in data subtraction mode operation by the data operation circuit.

1. Writing 10b to the DOCR.OMS[1:0] bits selects data subtraction mode.
2. A 16-bit initial value is set in DODSR.
3. 16-bit data to be subtracted is written to DODIR. The result of the operation is stored in DODSR.
4. Writing of 16-bit data continues until all data for subtraction have been written to DODIR.
5. If the result of an operation is less than 0000h, the DOCR.DOPCF flag is set to 1. On setting of the DOCR.DOPCIE bit to 1, a data operation circuit interrupt is also generated.

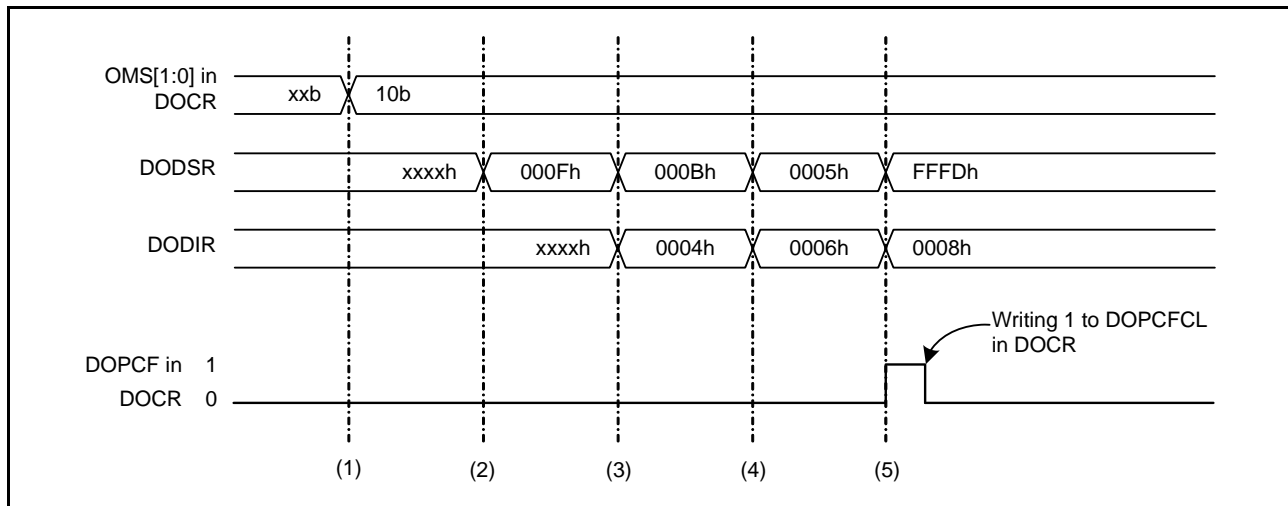


Figure 38.4 Example of Operation in Data Subtraction Mode

38.4 Interrupt Requests

The data operation circuit generates the data operation circuit interrupt as an interrupt request. When an interrupt condition arises, the data operation circuit flag corresponding to the interrupt is set to 1. Table 38.2 describes the interrupt request.

Table 38.2 Interrupt Request from Data Operation Circuit

Interrupt Request	Data Operation Circuit Flag	Interrupt Conditions
Data operation circuit interrupt	DOPCF	<ul style="list-style-type: none"> • The condition selected by the DOCR.DCSEL bit being met • The result of data addition being greater than FFFFh • The result of data subtraction being less than 0000h

38.5 Usage Note

38.5.1 Module Stop Function Setting

Operation of the data operation circuit can be disabled or enabled by using module stop control register B (MSTPCRB). The initial setting is for the data operation circuit to be halted. Register access is enabled by canceling the module stop state. For details, see section 11, Low Power Consumption.

39. RAM

The RX210 Group has an on-chip high-speed static RAM.

39.1 Overview

Table 39.1 lists the specifications of the RAM.

Table 39.1 Specifications of RAM

Item	Description
RAM capacity	Max. 96 Kbytes (RAM0: 64 Kbytes, RAM1: 32 Kbytes)*2
Access	<ul style="list-style-type: none"> • Single-cycle access is possible for both reading and writing. • On-chip RAM can be enabled or disabled.*1
Low power consumption function	The module-stop state is independently selectable for RAM0 and RAM1.

Note 1. Selectable by the RAME bit in SYSCR1. For details on SYSCR1, see section 3.2.4, System Control Register 1 (SYSCR1).

Note 2. The capacity of RAM differs depending on the products.

RAM Capacity	RAM Address
96 Kbytes	RAM0: 0000 0000h to 0000 FFFFh RAM1: 0001 0000h to 0001 7FFFh
64 Kbytes	RAM0: 0000 0000h to 0000 FFFFh
32 Kbytes	RAM0: 0000 0000h to 0000 7FFFh
20 Kbytes	RAM0: 0000 0000h to 0000 4FFFh
16 Kbytes	RAM0: 0000 0000h to 0000 3FFFh
12 Kbytes	RAM0: 0000 0000h to 0000 2FFFh

39.2 Operation

39.2.1 Data Retention

If the RAM is in deep standby mode, it is incapable of retaining data because the internal power supply is stopped.

39.2.2 Low Power Consumption Function

Power consumption can be reduced by setting module stop control register C (MSTPCRC) to stop supply of the clock signal to the RAM.

Setting the MSTPCRC.MSTPC0 bit to 1 stops supply of the clock signal to RAM0. Setting the MSTPCRC.MSTPC1 bit to 1 stops supply of the clock signal to RAM1.

Stopping supply of the clock signal places the RAM0 and RAM1 in the module stop state. The RAM operates after initialization by a reset.

The RAM is not accessible in the module stop state. Do not allow transitions to the module stop state while access to RAM is in progress.

For details on the MSTPCRC register, see section 11, Low Power Consumption.

40. ROM (Flash Memory for Code Storage)

The RX210 Group has a maximum 1-Mbyte flash memory for storing code (ROM).

This section explains the flash memory for code storage. For details on the E2 DataFlash, see section 41, E2 DataFlash Memory (Flash Memory for Data Storage).

40.1 Overview

Table 40.1 lists the specifications of the ROM, Table 40.2 lists the correspondence between ROM capacity and ROM addresses, and Figure 40.1 shows a block diagram of the ROM, E2 DataFlash, and related modules.

Table 40.1 Specifications of ROM

Item	Description
Memory capacity	<ul style="list-style-type: none"> User area: 1 Mbyte max. User boot area: 16 Kbytes
High-speed reading	A read operation takes one cycle of ICLK
Programming/erasing method	<ul style="list-style-type: none"> The chip incorporates a dedicated sequencer (FCU) for programming of the ROM. Programming and erasing the ROM are handled by issuing commands to the FCU. FFFF FFFFh is read from the erased ROM in 32 bits.
BGO (background operation)	<ul style="list-style-type: none"> Execution of program code from the ROM is possible while the E2 DataFlash memory is being programmed or erased. The CPU is able to execute program code from areas other than the ROM or E2 DataFlash while the ROM is being programmed or erased.
Suspension and resumption	<ul style="list-style-type: none"> The CPU is able to execute program code from the ROM during suspension of programming or erasure. Programming and erasure of the ROM can be restarted (resumed) after suspension.
Units of programming and erasure	<ul style="list-style-type: none"> Units of programming for the user area or user boot area: 2, 8, or 128 bytes Units of erasure for the user area: In block units Units of erasure for the user boot area: 16 Kbytes
On-board programming (three types)	Reprogramming in boot mode <ul style="list-style-type: none"> The clock synchronous serial interface (SCI1) is used. The bit rate is automatically adjusted. The user boot area is also programmable. Reprogramming in user boot mode <ul style="list-style-type: none"> The user-specific boot program can be programmed. Reprogramming using the ROM reprogramming routine in the user program <ul style="list-style-type: none"> ROM is reprogrammable without resetting the system.
Off-board programming	A PROM programmer can be used to program the user area and user boot area.
Protection	Software-controlled protection The FENTRYR.FENTRY0, FENTRYR.FENTRY1, FWEPOR.FLWE[1:0], and lock bits can be set to prevent unintentional programming.
	Command-locked state When abnormal operations are detected during, programming/erasure, this function disables any further programming/erasure.
Programming/erasure time, number of programming	See section 42, Electrical Characteristics.

Table 40.2 Correspondence between ROM Capacity and ROM Addresses

ROM Capacity	ROM Addresses
64 Kbytes	FFFF 0000h to FFFF FFFFh
96 Kbytes	FFFE 8000h to FFFF FFFFh
128 Kbytes	FFFE 0000h to FFFF FFFFh
384 Kbytes	FFFA 0000h to FFFF FFFFh
512 Kbytes	FFF8 0000h to FFFF FFFFh
768 Kbytes	FFF4 0000h to FFFF FFFFh
1 Mbyte	FFF0 0000h to FFFF FFFFh

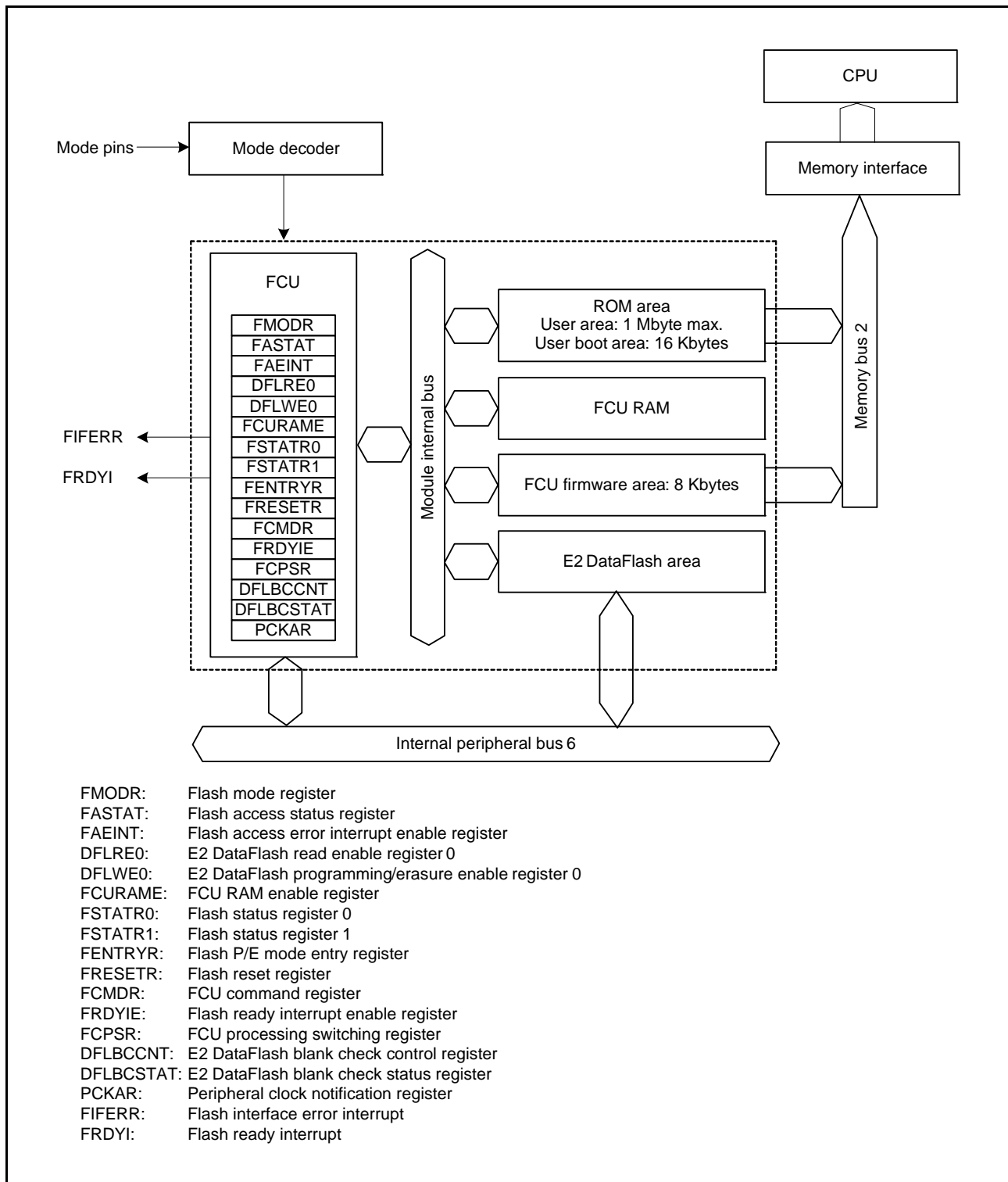


Figure 40.1 Block Diagram of ROM

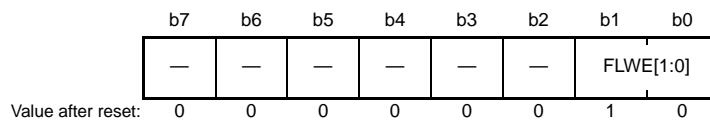
40.2 Register Descriptions

Although some registers include bits related to E2 DataFlash, this section deals only with the bits related to ROM. For details on the bits related to the E2 DataFlash, see section 41.2, Register Descriptions (in section 41, E2 DataFlash Memory (Flash Memory for Data Storage)).

P/E indicates programming and erasure.

40.2.1 Flash Write Erase Protection Register (FWEPROR)

Address(es): 0008 C296h



Bit	Symbol	Bit Name	Description	R/W
b1, b0	FLWE[1:0]	Flash Programming/ Erasure	b1 b0 0 0: Flash programming/erasure disabled. 0 1: Flash programming/erasure enabled. 1 0: Flash programming/erasure disabled. 1 1: Flash programming/erasure disabled.	R/W
b7 to b2	—	Reserved	These bits are read as 0. The write value should be 0.	R/W

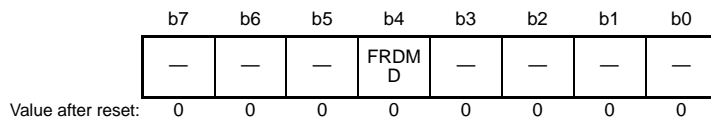
FWEPROR is initialized by a reset due to the signal on the RES# pin, by transitions to software standby mode and deep software standby mode, and by the power supply voltage falling below the threshold for detection.

FLWE[1:0] Bits (Flash Programming/Erasure)

These bits protect the execution of the flash programming/erasure with software.

40.2.2 Flash Mode Register (FMODR)

Address(es): 007F C402h



Bit	Symbol	Bit Name	Description	R/W
b3 to b0	—	Reserved	These bits are read as 0. The write value should be 0.	R/W
b4	FRDMD	FCU Read Mode Select	0: Memory Area Reading Method Set this bit to 0 when reading ROM lock bits in ROM lock bit read mode. 1: Register Reading Method Set this bit to 1 when using lock bit read 2 command to read ROM lock bits.	R/W
b7 to b5	—	Reserved	These bits are read as 0. The write value should be 0.	R/W

When the on-chip ROM is disabled, the data read from the FMODR register is 00h and writing is disabled.

FRDMD Bit (FCU Read Mode Select)

This bit is used to select a method for reading lock bits.

If the blank check command for the E2 DataFlash is to be used, this bit has to be set for the register read mode (see section 41, E2 DataFlash Memory (Flash Memory for Data Storage)).

40.2.3 Flash Access Status Register (FASTAT)

Address(es): 007F C410h

	b7	b6	b5	b4	b3	b2	b1	b0
	ROMA E	—	—	CMDLK	DFLAE	—	DFLRP E	DFLWP E
Value after reset:	0	0	0	0	0	0	0	0

Bit	Symbol	Bit Name	Description	R/W
b0	DFLWPE	E2 DataFlash Programming/Erasure Protection Violation	See section 41, E2 DataFlash Memory (Flash Memory for Data Storage).	R/(W) *1
b1	DFLRPE	E2 DataFlash Read Protection Violation	See section 41, E2 DataFlash Memory (Flash Memory for Data Storage).	R/(W) *1
b2	—	Reserved	This bit is read as 0. The write value should be 0.	R/W
b3	DFLAE	E2 DataFlash Access Violation	See section 41, E2 DataFlash Memory (Flash Memory for Data Storage).	R/(W) *1
b4	CMDLK	FCU Command Lock	0: FCU is not in the command-locked state 1: FCU is in the command-locked state	R
b6, b5	—	Reserved	These bits are read as 0. The write value should be 0.	R/W
b7	ROMAE	ROM Access Violation	0: No ROM access error 1: ROM access error	R/(W) *1

Note 1. Only 0 can be written after reading 1 to clear the flag to 0.

When the on-chip ROM is disabled, the data read from FASTAT is 00h and writing is disabled. When any bit from among the DFLWPE, DFLRPE, DFLAE, and ROMAE bits in FASTAT is set to 1, the FSTATR0.ILGLERR bit is set to 1, which places the FCU in the command-locked state (see section 40.8.2, Command-Locked State). To clear the command-locked state, a status register clear command must be issued to the FCU after setting FASTAT to 10h.

CMDLK Bit (FCU Command Lock)

This bit indicates that the FCU is in the command-locked state (see section 40.8.2, Command-Locked State).

[Setting condition]

- After the FCU detects an error and enters the command-locked state

[Clearing condition]

- After the FCU issues a status register clear command under conditions where FASTAT is set to 10h

ROMAE Bit (ROM Access Violation)

This bit indicates whether a ROM access violation occurred.

When the ROMAE bit is set to 1, the FSTATR0.ILGLERR bit is set to 1, placing the FCU in the command-locked state.

[Setting conditions]

- Read access to a ROM programming/erasure address when the FCU is in ROM P/E normal mode*1

ROM Capacity	ROM programming/erasure address ranges	
	FENTRY0 bit is 1	FENTRY1 bit is 1
64 Kbytes	00FF 0000h to 00FF FFFFh	—
96 Kbytes	00FE 8000h to 00FF FFFFh	—
128 Kbytes	00FE 0000h to 00FF FFFFh	—
256 Kbytes	00FC 0000h to 00FF FFFFh	—
384 Kbytes	00FA 0000h to 00FF FFFFh	—
512 Kbytes	00F8 0000h to 00FF FFFFh	—
768 Kbytes	00F8 0000h to 00FF FFFFh	00F4 0000h to 00F7 FFFFh
1 Mbyte	00F8 0000h to 00FF FFFFh	00F0 0000h to 00F7 FFFFh

- Read/Write access to a ROM programming/erasure address*1

ROM Capacity	ROM programming/erasure address ranges	
	FENTRY0 bit is 0	FENTRY1 bit is 0
64 Kbytes	00FF 0000h to 00FF FFFFh	—
96 Kbytes	00FE 8000h to 00FF FFFFh	—
128 Kbytes	00FE 0000h to 00FF FFFFh	—
256 Kbytes	00FC 0000h to 00FF FFFFh	—
384 Kbytes	00FA 0000h to 00FF FFFFh	—
512 Kbytes	00F8 0000h to 00FF FFFFh	—
768 Kbytes	00F8 0000h to 00FF FFFFh	00F4 0000h to 00F7 FFFFh
1 Mbyte	00F8 0000h to 00FF FFFFh	00F0 0000h to 00F7 FFFFh

- Read access to a ROM-reading address while FENTRYR has placed the ROM in ROM P/E mode

ROM Capacity	ROM programming/erasure address ranges
64 Kbytes	FFFF 0000h to FFFF FFFFh
96 Kbytes	FFFE 8000h to FFFF FFFFh
128 Kbytes	FFFE 0000h to FFFF FFFFh
256 Kbytes	FFFC 0000h to FFFF FFFFh
768 Kbytes	FFF4 0000h to FFFF FFFFh
1 Mbyte	FFF0 0000h to FFFF FFFFh

[Clearing condition]

- When 0 is written after reading 1

Note 1. The FENTRY1 bit is provided when the user area capacity exceeds 512 Kbytes.

40.2.4 Flash Access Error Interrupt Enable Register (FAEINT)

Address(es): 007F C411h

	b7	b6	b5	b4	b3	b2	b1	b0
	ROMA EIE	—	—	CMDLK IE	DFLAEI E	—	DFLRP EIE	DFLWP EIE
Value after reset:	1	0	0	1	1	0	1	1

Bit	Symbol	Bit Name	Description	R/W
b0	DFLWPEIE	E2 DataFlash Programming/Erasure Protection Violation Interrupt Enable	See section 41, E2 DataFlash Memory (Flash Memory for Data Storage).	R/W
b1	DFLRPEIE	E2 DataFlash Read Protection Violation Interrupt Enable	See section 41, E2 DataFlash Memory (Flash Memory for Data Storage).	R/W
b2	—	Reserved	This bit is read as 0. The write value should be 0.	R/W
b3	DFLAEIE	E2 DataFlash Access Violation Interrupt Enable	See section 41, E2 DataFlash Memory (Flash Memory for Data Storage).	R/W
b4	CMDLKIE	FCU Command Lock Interrupt Enable	0: FIFERR interrupt requests disabled when the FASTAT.CMDLK bit is set to 1 1: FIFERR interrupt requests enabled when the FASTAT.CMDLK bit is set to 1	R/W
b6, b5	—	Reserved	These bits are read as 0. The write value should be 0.	R/W
b7	ROMAEIE	ROM Access Violation Interrupt Enable	0: FIFERR interrupt requests disabled when the FASTAT.ROMAE bit is set to 1 1: FIFERR interrupt requests enabled when the FASTAT.ROMAE bit is set to 1	R/W

When the on-chip ROM is disabled, the data read from FAEINT is 00h and writing is disabled.

CMDLKIE Bit (FCU Command Lock Interrupt Enable)

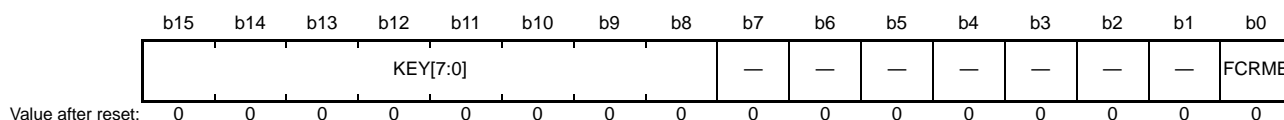
This bit is used to enable or disable FIFERR interrupt requests when an FCU command lock occurs and the FASTAT.CMDLK bit is set to 1.

ROMAEIE Bit (ROM Access Violation Interrupt Enable)

This bit is used to enable or disable FIFERR interrupt requests when a ROM access violation occurs and the FASTAT.ROMAE bit is set to 1.

40.2.5 FCU RAM Enable Register (FCURAME)

Address(es): 007F C454h



Bit	Symbol	Bit Name	Description	R/W
b0	FCRME	FCU RAM Enable	0: Access to the FCU RAM disabled 1: Access to the FCU RAM enabled	R/W
b7 to b1	—	Reserved	These bits are read as 0. The write value should be 0.	R/W
b15 to b8	KEY[7:0]	Key Code	These bits control permission and prohibition of writing to the FCURAME register. To modify the FCURAME register, write C4h to the eight higher-order bits and the desired value to the eight lower-order bits as a 16-bit unit.	R/(W) *1

Note 1. Write data is not retained.

When the on-chip ROM is disabled, the data read from FCURAME is 00h and writing is disabled.

FCRME Bit (FCU RAM Enable)

This bit is used to enable or disable access to the FCU RAM.

When writing to the FCU RAM, set FENTRYR to 0000h and stop the FCU.

The FCU RAM cannot be read regardless of whether accesses to the FCU RAM are enabled or disabled. Any value read from the FCU RAM is undefined.

40.2.6 Flash Status Register 0 (FSTATR0)

Address(es): 007F FFB0h

	b7	b6	b5	b4	b3	b2	b1	b0
	FRDY	ILGLERR	ERSERR	PRGERR	SUSRDY	—	ERSSPD	PRGSPD
Value after reset:	1	0	0	0	0	0	0	0

Bit	Symbol	Bit Name	Description	R/W
b0	PRGSPD	Programming Suspend Status	0: Other than the status described below 1: During programming suspend processing or programming suspended	R
b1	ERSSPD	Erase Suspend Status	0: Other than the status described below 1: When erasure suspend processing or erasure suspended	R
b2	—	Reserved	This bit is read as 0. Writing to this bit has no effect.	R
b3	SUSRDY	Suspend Ready	0: P/E suspend commands cannot be received 1: P/E suspend commands can be received	R
b4	PRGERR	Programming Error	0: Programming terminates normally 1: An error occurs during programming	R
b5	ERSERR	Erase Error	0: Erasure terminates normally 1: An error occurs during erasure	R
b6	ILGLERR	Illegal Command Error	0: FCU detects no illegal command or illegal ROM/E2 DataFlash access 1: FCU detects an illegal command or illegal ROM/E2 DataFlash access	R
b7	FRDY	Flash Ready	0: During programming/erasure, During suspending programming/erasure, During the lock bit read 2 command processing, During the peripheral clock notification command processing, During the blank check processing of E2 DataFlash (See section 41, E2 DataFlash Memory (Flash Memory for Data Storage)). 1: Processing described above is not performed	R

When the on-chip ROM is disabled, the data read from FSTATR0 is 00h.

FSTATR0 is initialized by a reset, or when the FRESETR.FRESET bit is set to 1

PRGSPD Bit (Programming Suspend Status)

This bit is used to indicate that the FCU enters the programming suspend processing state or programming suspended state. For details, see section 40.7, Suspending Operation.

[Setting condition]

- The FCU has initiated a write suspend command.

[Clearing condition]

- The FCU has accepted a resume command.

ERSSPD Bit (Erasure Suspend Status)

This bit is used to indicate that the FCU enters the erasure suspend processing state or erasure suspended state. For details, see section 40.7, Suspending Operation.

[Setting condition]

- The FCU has initiated an erasure suspend command.

[Clearing condition]

- The FCU has accepted a resume command.

SUSRDY Bit (Suspend Ready)

This bit is used to indicate whether the FCU can receive a P/E suspend command.

[Setting condition]

- After starting programming/erasure process, the FCU enters a state in which P/E suspend commands can be received.

[Clearing conditions]

- The FCU has accepted a P/E suspend command.
- During programming/erasure process, the FCU enters the command-locked state.

PRGERR Bit (Programming Error)

This bit is used to indicate the result of the ROM/E2 DataFlash programming process by the FCU. When the PRGERR bit is set to 1, the FCU is placed in the command-locked state. For details, see section 40.8.2, Command-Locked State.

[Setting conditions]

- An error occurs during programming.
- A programming command is issued to areas protected by a lock bit.

[Clearing condition]

- After the FCU processes a status register clear command

ERSERR Bit (Erasure Error)

This bit is used to indicate the result of the ROM/E2 DataFlash erasure process by the FCU. When the ERSERR bit is set to 1, the FCU is placed in the command-locked state. For details, see section 40.8.2, Command-Locked State.

[Setting conditions]

- An error occurs during erasure.
- A block erase command is issued to areas protected by a lock bit.

[Clearing condition]

- After the FCU processes a status register clear command

ILGLERR Bit (Illegal Command Error)

This bit is used to indicate that the FCU detects any illegal command or ROM/E2 DataFlash access.

When the ILGLERR bit is set to 1, the FCU is placed in the command-locked state. For details, see section 40.8.2, Command-Locked State.

[Setting conditions]

- The FCU detects an illegal command.
- The FCU detects an illegal ROM/E2 DataFlash access
(one of the ROMAЕ, DFLAЕ, DFLRPE, and DFLWPE bits in FASTAT is 1).
- The setting of FENTRYR is invalid.

[Clearing condition]

- After the FCU processes a status register clear command under conditions where FASTAT is set to 10h

FRDY Bit (Flash Ready)

This bit is used to check the processing status of the FCU.

40.2.7 Flash Status Register 1 (FSTATR1)

Address(es): 007F FFB1h

b7	b6	b5	b4	b3	b2	b1	b0
FCUERR	—	—	FLOCKST	—	—	—	—

Value after reset: 0 0 0 0 0 0 0 0

Bit	Symbol	Bit Name	Description	R/W
b3 to b0	—	Reserved	These bits are read as 0. Writing to these bits has no effect.	R
b4	FLOCKST	Lock Bit Status	0: Protected 1: Not protected	R
b6, b5	—	Reserved	These bits are read as 0. Writing to these bits has no effect.	R
b7	FCUERR	FCU Error	0: No error occurs in the FCU processing 1: An error occurs in the FCU processing	R

When the on-chip ROM is disabled, the data read from FSTATR1 is 00h.

FSTATR1 is initialized by a reset, or when the FRESETR.FRESET bit is set to 1.

FLOCKST Bit (Lock Bit Status)

This bit is to reflect the read data of a lock bit when using the lock bit read 2 command.

When the FSTATR0.FRDY bit is set to 1 after a lock bit read 2 command is issued, valid data is stored in the FLOCKST bit. The value of the FLOCKST bit is retained until the completion of the next lock bit read 2 command.

FCUERR Bit (FCU Error)

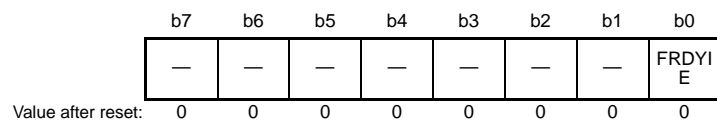
This bit is used to indicate that an error occurs in the FCU internal processing.

When the FCUERR bit is set to 1, set the FRESETR.FRESET bit to 1 to initialize the FCU.

Additionally, recopy the FCU firmware from the FCU firmware area to the FCU RAM area.

40.2.8 Flash Ready Interrupt Enable Register (FRDYIE)

Address(es): 007F C412h



Bit	Symbol	Bit Name	Description	R/W
b0	FRDYIE	Flash Ready Interrupt Enable	0: FRDYI interrupt requests disabled 1: FRDYI interrupt requests enabled	R/W
b7 to b1	—	Reserved	These bits are read as 0. The write value should be 0.	R/W

When the on-chip ROM is disabled, the data read from FRDYIE is 00h and writing is disabled.

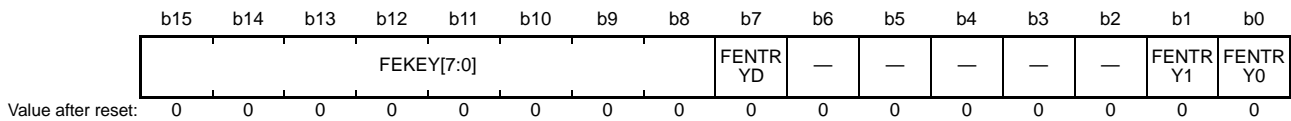
FRDYIE Bit (Flash Ready Interrupt Enable)

This bit is to enable/disable a FRDYI interrupt request when programming/erasure is completed.

If the FRDYIE bit is set to 1, a flash ready interrupt request (FRDYI) is generated when execution of the FCU command has completed (FSTATR0.FR DY bit changes from 0 to 1).

40.2.9 Flash P/E Mode Entry Register (FENTRYR)

Address: 007F FFB2h



Bit	Symbol	Bit Name	Description	R/W
b0	FENTRY0	ROM P/E Mode Entry 0*1	0: 64, 96, 128, 256, 384, or 512 Kbytes (area 0*2) of ROM are in ROM read mode 1: 64, 96, 128, 256, 384, or 512 Kbytes (area 0*2) of ROM are in ROM P/E mode	R/W
b1	FENTRY1	ROM P/E Mode Entry 1*1	0: 256 or 512 Kbytes (area 1*3) of ROM are in ROM read mode 1: 256 or 512 Kbytes (area 1*3) of ROM are in ROM P/E mode	R/W
b6 to b2	—	Reserved	These bits are read as 0. The write value should be 0.	R/W
b7	FENTRYD	E2 DataFlash P/E Mode Entry	See section 41, E2 DataFlash Memory (Flash Memory for Data Storage).	R/W
b15 to b8	FEKEY[7:0]	Key Code	These bits control permission and prohibition of writing to the FENTRYR register. To modify the FENTRYR register, write AAh to the eight higher-order bits and the desired value to the eight lower-order bits as a 16-bit unit.	R/(W) *4

Note 1. The FENTRY1 bit is provided when the user area capacity exceeds 512 Kbytes. When the function of the FENTRY1 bit is not provided, this bit is reserved.

Note 2. Area 0 ranges from addresses 00F8 0000h to 00FF FFFFh for programming/erasure, and FFF8 0000h to FFFF FFFFh for reading.

Note 3. Area 1 of 768-Kbyte ROM ranges from addresses 00F4 0000h to 00F7 FFFFh for programming/erasure, and FFF4 0000h to FFF7 FFFFh for reading.

Area 1 of 1-Mbyte ROM ranges from addresses 00F0 0000h to 00F7 FFFFh for programming/erasure, and FFF0 0000h to FFF7 FFFFh for reading.

Note 4. Write data is not retained.

To place the ROM/E2 DataFlash in ROM P/E mode so that the FCU can accept commands, either the FENTRYD, FENTRY0 or FENTRY1*1 bit must be set to 1. Note that if more than one of these bits are set to 1, the FSTATR0.ILGLERR bit is set to 1 and the FCU enters the command-locked state.

When switching into ROM read mode by accessing FENTRYR, read the value of FENTRYR, after writing required data to FENTRYR, and verify that the correct value is stored in the register before making any ROM reads.

After writing to the FENTRYR to initiate a transition to ROM-reading mode, read the register and confirm that it actually holds the new setting before reading the ROM.

When on-chip ROM is disabled, the data read from FENTRYR is 0000h and writing is disabled.

FENTRYR is initialized by a reset, or when the FRESETR.FRESET bit is set to 1.

Note 1. The FENTRY1 bit is provided when the user area capacity exceeds 512 Kbytes.

FENTRY0 Bit (ROM P/E Mode Entry 0)

This bit is used to place 64 Kbytes (read addresses: FFFF 0000h to FFFF FFFFh, programming/erasure addresses: 00FF 0000h to 00FF FFFFh), 96 Kbytes (read addresses: FFFE 8000h to FFFF FFFFh, programming/erasure addresses: 00FE 8000h to 00FF FFFFh), 128 Kbytes (read addresses: FFFE 0000h to FFFF FFFFh, programming/erasure addresses: 00FE 0000h to 00FF FFFFh), 256 Kbytes (read addresses: FFFC 0000h to FFFF FFFFh, programming/erasure addresses: 00FC 0000h to 00FF FFFFh), 384 Kbytes (read addresses: FFFA 0000h to FFFF FFFFh, programming/erasure addresses: 00FA 0000h to 00FF FFFFh), or 512 Kbytes (read addresses: FFF8 0000h to FFFF FFFFh, programming/erasure addresses: 00F8 0000h to 00FF FFFFh) of ROM in ROM P/E mode.

[Writing-enable conditions (when all of the following conditions are met)]

- On-chip ROM is enabled.
- The FSTATR0.FRDY bit is set to 1.
- AAh is written to the FEKEY[7:0] bits in word access.

[Setting condition]

- The writing-enable conditions are met, FENTRYR is set to 0000h, and 1 is written to the FENTRY0 bit.

[Clearing conditions]

- Data is written in byte access.
- Data is written in word access when the FEKEY[7:0] bits are other than AAh.
- When the writing-enable conditions are met, 0 is written to the FENTRY0 bit.
- When the writing-enable conditions are met and FENTRYR is other than 0000h, data is written to FENTRYR.

FENTRY1 Bit (ROM P/E Mode Entry 1)

This bit is used to place 256 Kbytes or 512 Kbytes of ROM (area 1) in ROM P/E mode. Specifically, area 1 of 768-Kbyte ROM ranges from addresses FFF4 0000h to FFF7 FFFFh for reading and 00F4 0000h to 00F7 FFFFh for programming/erasure; and area 1 of 1-Mbyte ROM range from addresses FFF0 0000h to FFF7 FFFFh for reading and 00F0 0000h to 00F7 FFFFh for programming/erasure. FENTRY1 is provided when the user area capacity exceeds 512 Kbytes.

[Writing-enable conditions (when all of the following conditions are met)]

- On-chip ROM is enabled.
- The FSTATR0.FRDY bit is set to 1.
- AAh is written to the FEKEY[7:0] bits in word access.

[Setting condition]

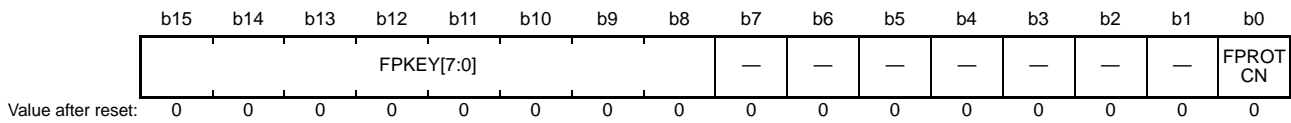
- The writing-enable conditions are met, FENTRYR is set to 0000h, and 1 is written to the FENTRY1 bit.

[Clearing conditions]

- Data is written in byte access.
- Data is written in word access when the FEKEY[7:0] bits are other than AAh.
- When the writing-enable conditions are met, 0 is written to the FENTRY1 bit.
- When the writing-enable conditions are met and FENTRYR is other than 0000h, data is written to FENTRYR.

40.2.10 Flash Protection Register (FPROTR)

Address(es): 007F FFB4h



Bit	Symbol	Bit Name	Description	R/W
b0	FPROTCN	Lock Bit Protection Cancel	0: Protection with a lock bit enabled 1: Protection with a lock bit disabled	R/W
b7 to b1	—	Reserved	These bits are read as 0. The write value should be 0.	R/W
b15 to b8	FPKEY[7:0]	Key Code	These bits control permission and prohibition of writing to the FPROTR register. To modify the FPROTR register, write 55h to the eight higher-order bits and the desired value to the eight lower-order bits as a 16-bit unit.	R/(W) *1

Note 1. Write data is not retained.

When on-chip ROM is disabled, the data read from FPROTR is 0000h and writing is disabled. FPROTR is initialized by a reset, or when the FRESETR.FRESET bit is set to 1.

FPROTCN Bit (Lock Bit Protection Cancel)

This bit is used to enable/disable the programming/erasure protection with a lock bit.

[Setting condition]

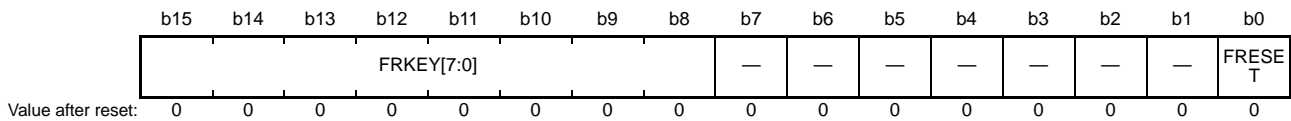
- 55h is written to the FPKEY[7:0] bits and 1 is written to the FPROTCN bit in word access when the value of FENTRYR is other than 0000h.

[Clearing conditions]

- Data is written in byte access.
- Data is written in word access when the FPKEY[7:0] bits are other than 55h.
- 55h is written to the FPKEY[7:0] bits and 0 is written to the FPROTCN bit in word access.
- The value of FENTRYR is 0000h.

40.2.11 Flash Reset Register (FRESETR)

Address(es): 007F FFB6h



Bit	Symbol	Bit Name	Description	R/W
b0	FRESET	Flash Reset	0: FCU is not reset 1: FCU is reset	R/W
b7 to b1	—	Reserved	These bits are read as 0. The write value should be 0.	R/W
b15 to b8	FRKEY[7:0]	Key Code	These bits control permission and prohibition of writing to the FRESETR register. To modify the FRESETR register, write CCh to the eight higher-order bits and the desired value to the eight lower-order bits as a 16-bit unit.	R/(W) *1

Note 1. Write data is not retained.

When on-chip ROM is disabled, the data read from FRESETR is 0000h and writing is disabled.

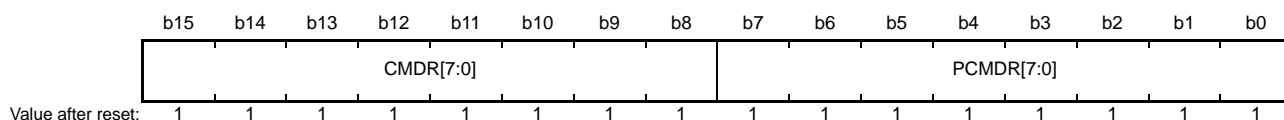
FRESET Bit (Flash Reset)

When the FRESET bit is set to 1, programming/erasure operations for the ROM/E2 DataFlash are forcibly terminated, and the FCU is initialized.

High voltage is applied to the memory of the ROM/E2 DataFlash during programming/erasure. To ensure the time required for dropping the voltage applied to the memory, keep the FRESET bit set to 1 for tFCUR (see section 42, Electrical Characteristics) when initializing the FCU. While the FRESET bit is kept 1, prohibit the ROM/E2 DataFlash from being read. Additionally, when the FRESET bit is set to 1, the FCU commands cannot be used because FENTRYR is initialized.

40.2.12 FCU Command Register (FCMDR)

Address(es): 007F FFBAh



Bit	Symbol	Bit Name	Description	R/W
b7 to b0	PCMDR[7:0]	Precommand	Store the command immediately before the last command received by the FCU.	R
b15 to b8	CMDR[7:0]	Command	Store the last command received by the FCU.	R

When the on-chip ROM is disabled, data read from FCMDR is 0000h and writing is disabled.

FCMDR is initialized by a reset, or when the FRESETR.FRESET bit is set to 1.

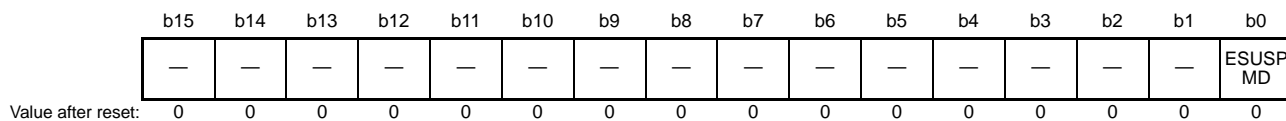
Table 40.3 lists the states of FCMDR after receiving each command. For details on the blank check processing, see section 41.6, Programming and Erasing the E2 DataFlash Memory.

Table 40.3 States of FCMDR after Receiving Each Command

Command	CMDR[7:0]	PCMDR[7:0]
P/E normal mode transition	FFh	Previous command
Status read mode transition	70h	Previous command
Lock bit read mode transition (lock bit read 1)	71h	Previous command
Peripheral clock notification	E9h	Previous command
Programming	E8h	Previous command
Block erase	D0h	20h
P/E suspend	B0h	Previous command
P/E resume	D0h	Previous command
Status register clear	50h	Previous command
Lock bit read 2/blank check	D0h	71h
Lock bit programming	D0h	77h

40.2.13 FCU Processing Switching Register (FCPSR)

Address(es): 007F FFC8h



Bit	Symbol	Bit Name	Description	R/W
b0	ESUSPMD	Programming/Erase Suspend Mode	0: Suspension priority mode 1: Programming/erase priority mode	R/W
b15 to b1	—	Reserved	These bits are read as 0. The write value should be 0.	R/W

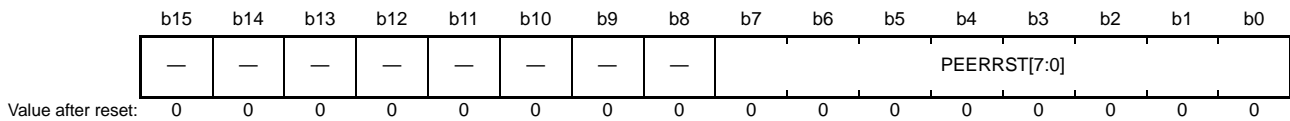
When the on-chip ROM is disabled, the data read from FCPSR is 0000h and writing is disabled. FCPSR is initialized by a reset, or when the FRESETR.FRESET bit is set to 1.

ESUSPMD Bit (Programming/Erase Suspend Mode)

This bit is to select the erasure suspend mode for when a P/E suspend command is issued while the FCU executes the erasure processing for the ROM/E2 DataFlash. For details, see section 40.7, Suspending Operation.

40.2.14 Flash P/E Status Register (FPESTAT)

Address(es): 007F FCCh



Bit	Symbol	Bit Name	Description	R/W
b7 to b0	PEERRST[7:0]	P/E Error Status	00h: No error 01h: Programming error against areas protected by a lock bit 02h: Programming error due to sources other than the lock bit protection 11h: Erasure error against areas protected by a lock bit 12h: Erasure error due to sources other than the lock bit protection (Values other than above are reserved)	R
b15 to b8	—	Reserved	These bits are read as 0. Writing to these bits has no effect.	R

When the on-chip ROM is disabled, the data read from FPESTAT is 0000h and writing is disabled. FPESTAT is initialized by a reset, or when the FRESETR.FRESET bit is set to 1.

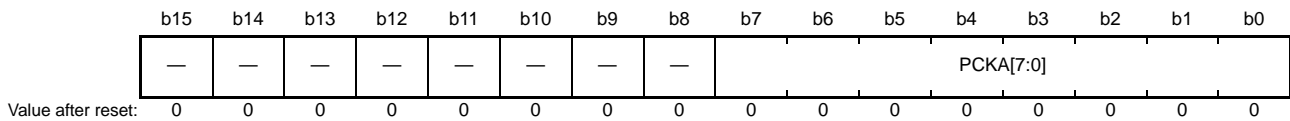
PEERRST[7:0] Bits (P/E Error Status)

These bits are used to indicate the reason of an error that occurs during the programming/erasure processing for the ROM/E2 DataFlash.

The value of the PEERRST[7:0] bits is valid only when the FSTATR0.FRDY bit is set to 1 while the FSTATR0.ERSERR bit or FSTATR0.PRGERR bit is 1. The value of the reason of the past error is retained in the PEERRST[7:0] bits when the ERSERR bit and PRGERR bit is 0.

40.2.15 Peripheral Clock Notification Register (PCKAR)

Address(es): 007F FFE8h



Bit	Symbol	Bit Name	Description	R/W
b7 to b0	PCKA[7:0]	Peripheral Clock Notification	These bits are used to set the FlashIF clock (FCLK) at the programming/erasure for the ROM/E2 DataFlash.	R/W
b15 to b8	—	Reserved	These bits are read as 0. The write value should be 0.	R/W

When the on-chip ROM is disabled, the data read from PCKAR is 0000h and writing is disabled.

PCKAR is initialized by a reset, or when the FRESETR.FRESET bit is set to 1.

PCKA[7:0] Bits (Peripheral Clock Notification)

These bits are used to set the FlashIF clock (FCLK) at the programming/erasure for the ROM/E2 DataFlash.

Set the FCLK frequency in the PCKA[7:0] bits and issue a peripheral clock notification command before programming/erasure. Do not change frequency during programming/erasure for the ROM/E2 DataFlash.

Calculate the setting value as follows:

- Convert an operating frequency represented in MHz units to binary and write it to the PCKA[7:0] bits.

For example, when the operating frequency of the FlashIF clock is 29.9 MHz, the setting value is calculated as follows:

- Round 29.9 off to a whole number.
- Convert 30 to binary and set the upper bits and lower bits of the PCKA[7:0] bits to 00h and 1Eh (0001 1110b).

Note: • When the PCKA[7:0] bits are set to values outside the range from 4 to 32 MHz, do not issue a programming command to the ROM/E2 DataFlash.

Note: • When the PCKA[7:0] bits are set to a frequency that is different from the FCLK, the data of the ROM/E2 DataFlash may be damaged.

Note: • Please note that the programming time depends on the frequency to some extent even if the PCKA[7:0] bits are used.

40.3 Configuration of Memory Areas for the ROM

The ROM of products in the RX210 Group is configured of a maximum 1-Mbyte user area and a 16-Kbyte user boot area. Figure 40.2 shows the configuration of the ROM memory area.

Note that for the user area, the address range for reading differs from the address range for programming and erasure.

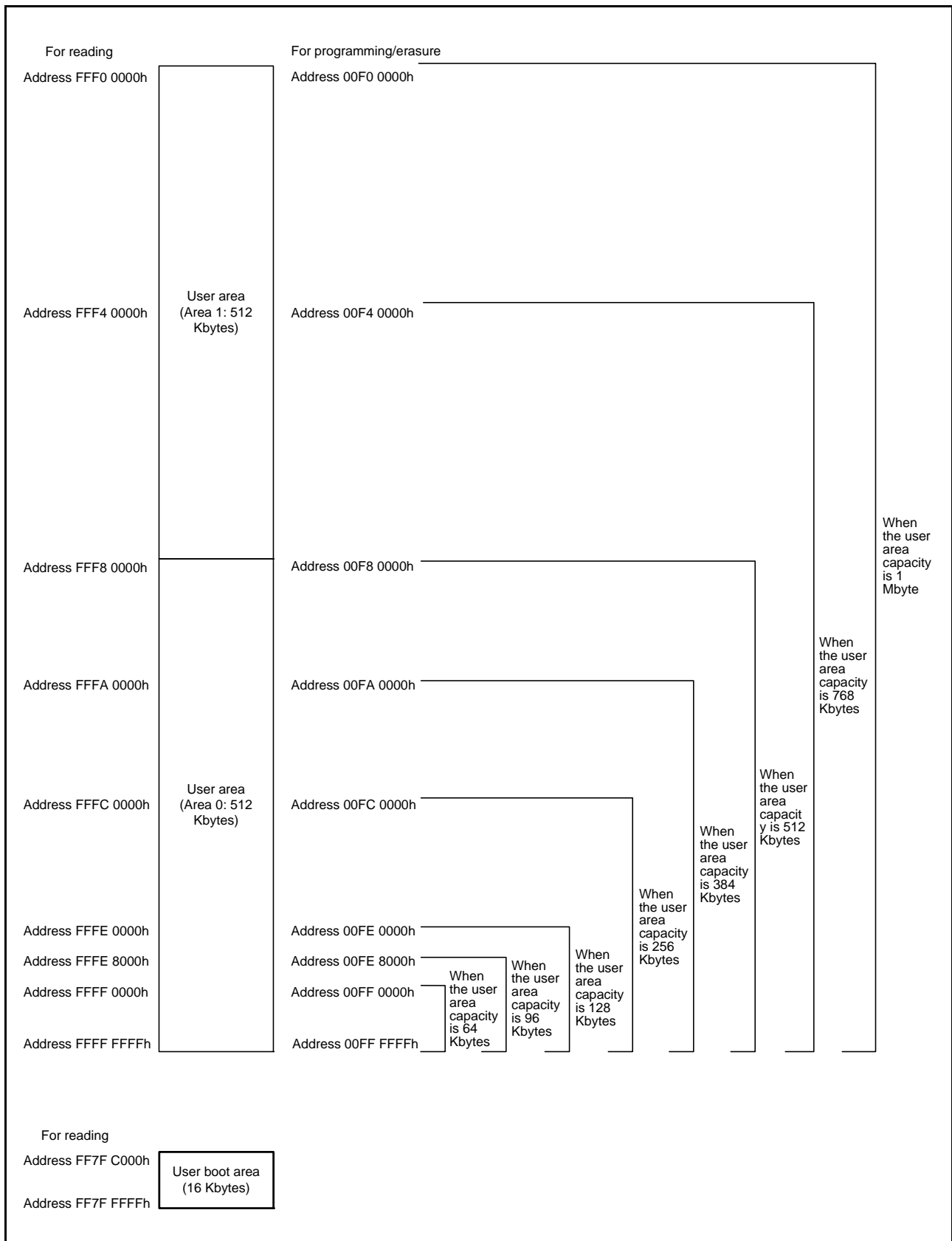


Figure 40.2 Memory Area Configuration of ROM

40.4 Block Configuration

The configuration of erasure blocks for the user area is shown in Figure 40.3.

The user area is divided into following blocks according to the ROM capacity and erasure is executed in block units.

Programming is executed in 2-/8-/128-byte units, where each unit starts at 00h.

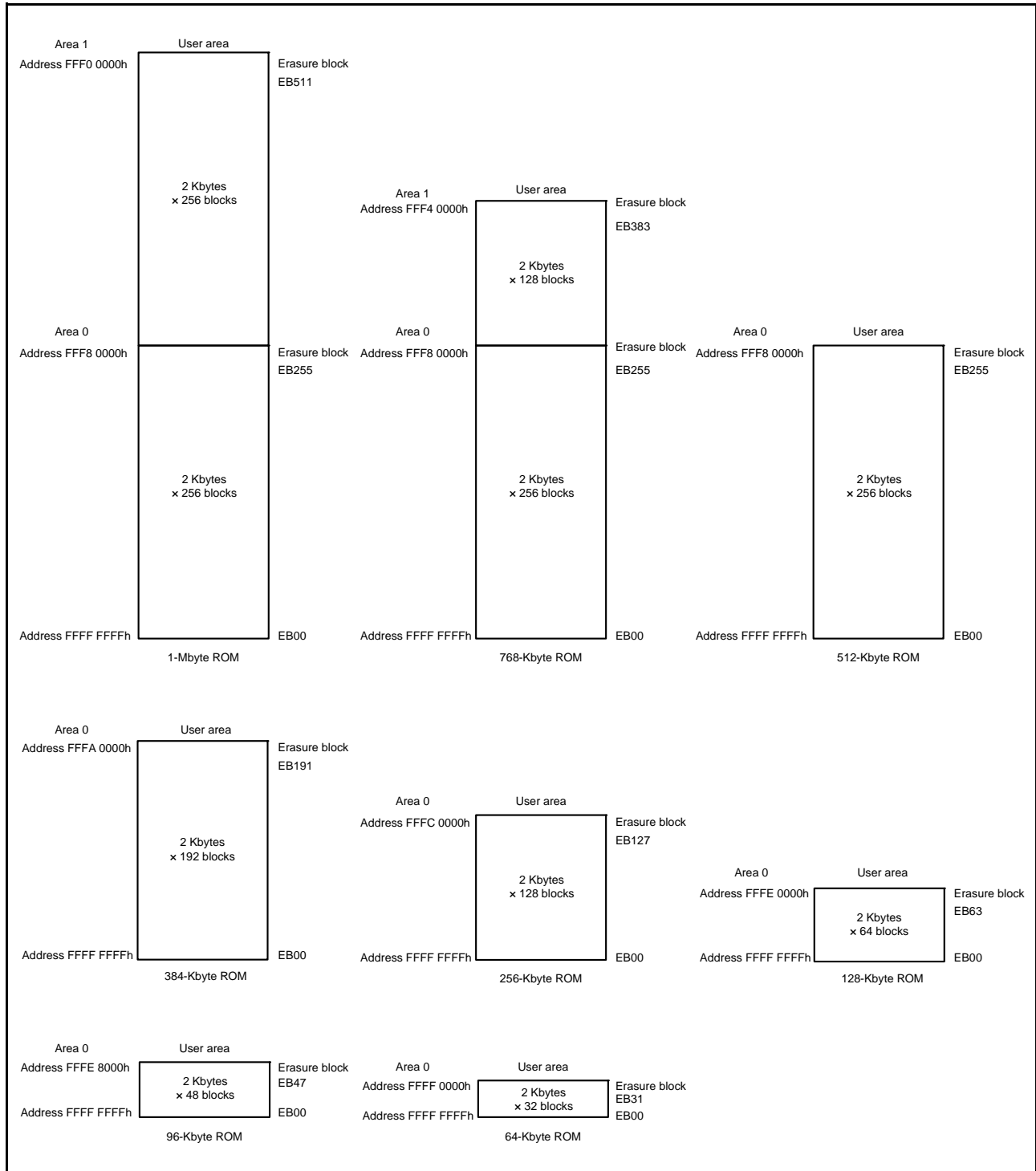


Figure 40.3 Configuration of Erasure Blocks for the User Area

40.5 Operating Modes Associated with the ROM

For information on the relationship between the setting of the level on the MD pin and the operating mode for the RX210 Group, refer to section 3, Operating Modes.

The ROM can be read, programmed, and erased on board in boot mode, user boot mode, single-chip mode (with on-chip ROM enabled), or on-chip-ROM-enabled extended mode.

Which areas are programmable and erasable, the area from which booting up proceeds after a reset, etc., differs with the mode. The differences between modes are indicated in Table 40.4.

Table 40.4 Differences between Modes

Item	Boot Mode	User Boot Mode	Single-Chip Mode (with On-Chip ROM Enabled) or On-Chip-ROM-Enabled Expansion Mode
Environment for programming and erasure		On-board programming	
Programmable and erasable area	User area/user boot area/ data area	User area/data area	User area/data area
Division into erasure blocks	Possible*1	Possible	Possible
Boot program at a reset	Boot program	User boot program	User program

Note 1. The entire ROM may be erased at the time of booting up. Specified blocks can subsequently be erased. For details, refer to section 40.10.4, ID Code Protection (Boot Mode).

- Programming and erasure of the user boot area are only possible in boot mode.
- In boot mode, a host is able to program, erase, or read the user area, user boot area, or data area via an SCI.
- In boot mode, RAM is employed for the boot program. For this reason, preserving the contents of RAM is not possible in this case.
- In user boot mode, booting up from the user boot area and then programming and reading of the user area and data area via a desired interface become possible (after booting up from the boot area).

40.6 Programming and Erasing the ROM

The ROM is programmed and erased by issuing commands to a dedicated sequencer (FCU) for programming and erasure. The FCU has five modes. For programming and erasure, the mode is changed and then commands for programming and erasure are issued.

The mode transitions required to program or erase the ROM and the system of commands are described below. The descriptions apply in common to boot mode, user boot mode, single-chip mode (with on-chip ROM enabled), and on-chip ROM enabled extended mode.

40.6.1 FCU Modes

The FCU has five modes. Transitions between modes are caused by modifying FENTRYR or issuing FCU commands. Figure 40.4 is a diagram of the FCU mode transitions.

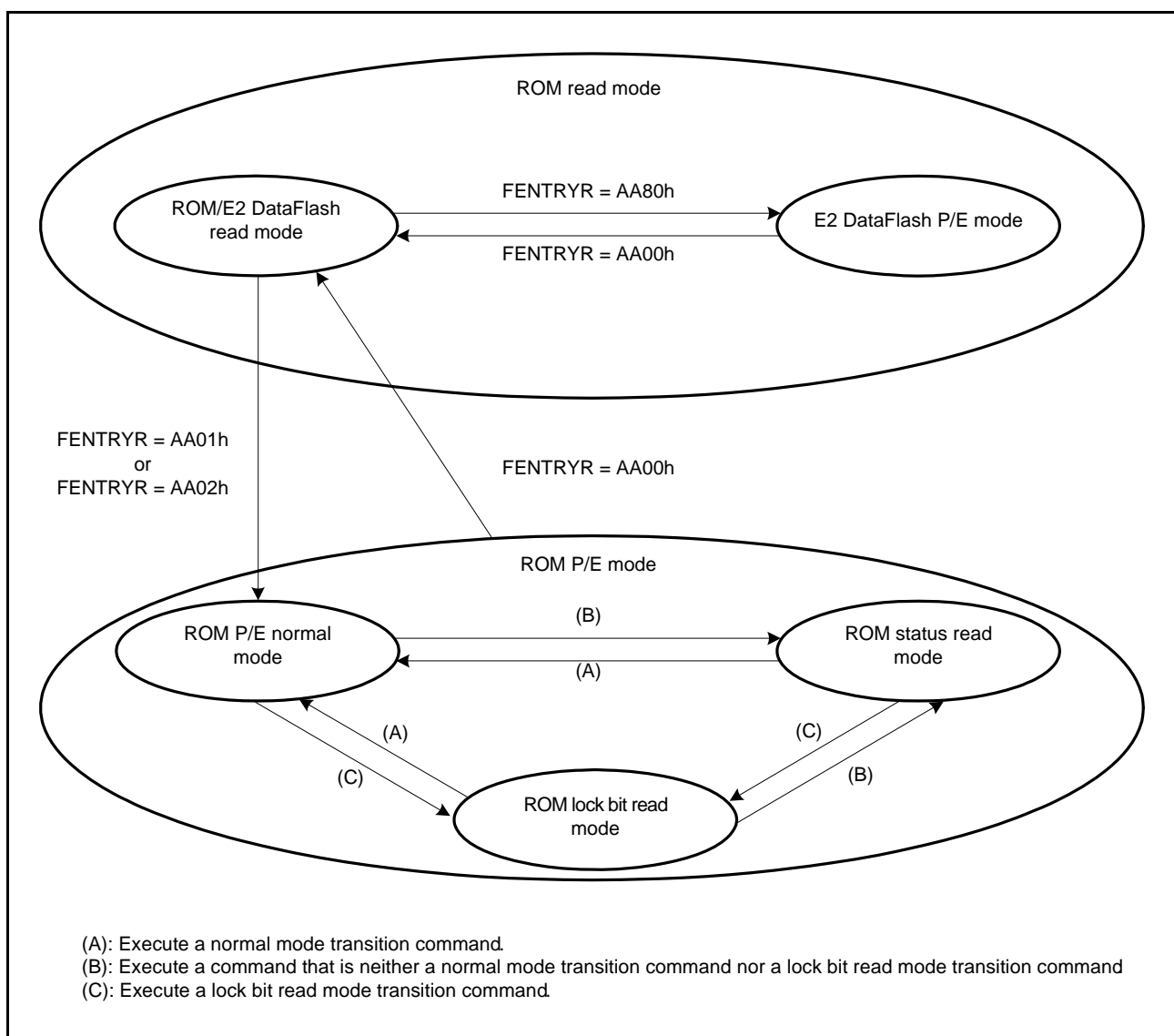


Figure 40.4 Mode Transitions of the FCU (Associated with the ROM)

40.6.1.1 ROM Read Modes

The ROM read modes are for high-speed reading of the ROM. Access to an address for reading can be accomplished in one cycle of ICLK.

ROM/E2 DataFlash read mode and E2 DataFlash P/E mode are the two kinds of ROM read modes.

(1) ROM/E2 DataFlash Read Mode

This mode is for reading the ROM and E2 DataFlash memory. The FCU does not accept FCU commands. The FCU enters this mode when the FENTRYR.FENTRY0 and FENTRY1 bits are set to 0 with the FENTRYR.FENTRYD bit set to 0.

(2) E2 DataFlash P/E Modes

These modes are for programming and erasure of the E2 DataFlash memory. High-speed reading of the ROM is also possible. Although the FCU accepts FCU commands related to the E2 DataFlash memory in this mode, it does not accept FCU commands related to the ROM. The FCU enters these modes when the FENTRYR.FENTRY0 and FENTRY1 bits are set to 0 with the FENTRYR.FENTRYD bit set to 1.

For details on the E2 DataFlash P/E modes, see section 41.6.1, FCU Modes (in section 41, E2 DataFlash Memory (Flash Memory for Data Storage)).

40.6.1.2 ROM P/E Modes

The ROM P/E modes are for programming and erasure of the ROM. High-speed reading of the ROM is not possible in these modes. Read access to an address within the range for reading causes a ROM-access violation, and the FCU enters the command-locked state (see section 40.8.2, Command-Locked State).

ROM P/E normal mode, ROM status read mode, and ROM lock-bit read mode are the three ROM P/E modes.

(1) ROM P/E Normal Mode

The transition to ROM P/E normal mode is the first transition in the process of programming or erasing the ROM. The FCU enters this mode when the FENTRYR.FENTRYD bit is set to 0, with any of the FENTRYR.FENTRY0 or FENTRY1 bit set to 1 in ROM read mode, or when the normal mode transition command is received in ROM P/E modes. Table 40.7 lists the acceptable commands in this mode.

Read access to an address within the range for programming and erasure while any of the FENTRYR.FENTRY0 or FENTRY1 bit is set to 1 causes a ROM-access violation, and the FCU enters the command-locked state (see section 40.8.2, Command-Locked State).

(2) ROM Status Read Mode

In the ROM status read mode, the state of the ROM can be read. The FCU enters this mode when a command other than the normal mode transition or lock bit read mode transition command is received in ROM P/E modes.

ROM status read mode encompasses the states where the FSTATR0.FRDY bit is 0 and the command-locked state after an error has occurred. Table 40.7 lists the acceptable commands in this mode.

Read access to an address within the range for programming and erasure while any of the FENTRYR.FENTRY0 or FENTRY1 bit is 1 allows the value of FSTATR0 to be read.

(3) ROM Lock-Bit Read Mode

In the ROM lock-bit read mode, reading the ROM allows the lock bits to be read. The FCU enters this mode when a lock-bit read mode transition command is received in ROM P/E modes. Table 40.7 lists the acceptable commands in this mode.

Read access to an address within the range for programming and erasure while the FENTRYR.FENTRY0 or FENTRY1 bit is 1 allows the value of the lock bit of the erasure block including the accessed address to be read from all the read bits.

40.6.2 FCU Commands

FCU commands consist of commands for mode transitions of the FCU and commands for programming and erasure. Table 40.5 lists the FCU commands for use with the ROM.

Table 40.5 FCU Commands for Use with the ROM

Command	Description
P/E normal mode transition	Shifts to normal mode (see section 40.6.3, Connections between FCU Modes and Commands)
Status read mode transition	Shifts to status read mode (see section 40.6.3, Connections between FCU Modes and Commands)
Lock bit read mode transition (lock bit read 1)	Shifts to lock bit read mode (see section 40.6.3, Connections between FCU Modes and Commands)
Peripheral clock notification	Sets the frequency of the peripheral clock
Programming	ROM programming (in 2-, 8-, or 128-byte units)
Block erase	ROM erasure (in block units, with the lock bit being erased simultaneously)
P/E suspend	Suspends programming/erasure
P/E resume	Resumes programming/erasure
Status register clear	Clears the ILGLERR, ERSERR and PRGERR bits in FSTATR0 and releases the FCU from the command locked state
Lock bit read 2/blank check	Reads the lock bit of a specified erasure block (the value of the lock bit is reflected in the FSTATR1.FLOCKST bit)/blank checking of the E2 DataFlash memory
Lock bit programming	Programs the lock bit of a specified erasure block

The lock bit read 2 command is also used as the blank check command for the E2 DataFlash memory. That is, when a lock bit read 2 command is issued for the E2 DataFlash, blank checking is executed for the E2 DataFlash memory (see section 41, E2 DataFlash Memory (Flash Memory for Data Storage)).

Commands for the FCU are issued by write access to addresses within the range for ROM programming and erasure. Table 40.6 lists the formats of the FCU commands. Write access as listed in Table 40.6 and in accordance with certain conditions causes the FCU to execute processing for the corresponding command.

For details on the conditions for the acceptance of the individual FCU commands, see section 40.6.3, Connections between FCU Modes and Commands. For how to use the FCU commands, see section 40.6.4, FCU Command Usage.

Table 40.6 FCU Command Formats

Command	Number of Bus Cycles	1st Cycle		2nd Cycle		3rd Cycle		4th to 5th Cycle		6th Cycle		7th to (N+2)th Cycle		(N+3)th Cycle	
		Address	Data	Address	Data	Address	Data	Address	Data	Address	Data	Address	Data	Address	Data
P/E normal mode transition	1	RA	FFh	—	—	—	—	—	—	—	—	—	—	—	—
Status read mode transition	1	RA	70h	—	—	—	—	—	—	—	—	—	—	—	—
Lock bit read mode transition (lock bit read 1)	1	RA	71h	—	—	—	—	—	—	—	—	—	—	—	—
Peripheral clock notification	6	RA	E9h	RA	03h	WA	0F0Fh	RA	0F0Fh	RA	D0h	—	—	—	—
Programming (2-byte programming; N = 1)	4	RA	E8h	RA	01h	WA	WDn	—	—	—	—	—	—	RA	D0h
Programming (8-byte programming; N = 4)	7	RA	E8h	RA	04h	WA	WDn	RA	WDn	RA	WDn	—	—	RA	D0h
Programming (128-byte programming; N = 64)	67	RA	E8h	RA	40h	WA	WDn	RA	WDn	RA	WDn	RA	WDn	RA	D0h
Block erase	2	RA	20h	BA	D0h	—	—	—	—	—	—	—	—	—	—
P/E suspend	1	RA	B0h	—	—	—	—	—	—	—	—	—	—	—	—
P/E resume	1	RA	D0h	—	—	—	—	—	—	—	—	—	—	—	—
Status register clear	1	RA	50h	—	—	—	—	—	—	—	—	—	—	—	—
Lock bit read 2	2	RA	71h	BA	D0h	—	—	—	—	—	—	—	—	—	—
Lock bit programming	2	RA	77h	BA	D0h	—	—	—	—	—	—	—	—	—	—

Address column RA: ROM programming/erasure address

When the FENTRYR.FENTRY0 bit is 1 with 64-Kbyte ROM: An address from 00FF 0000h to 00FF FFFFh

When the FENTRYR.FENTRY0 bit is 1 with 96-Kbyte ROM: An address from 00FE 8000h to 00FF FFFFh

When the FENTRYR.FENTRY0 bit is 1 with 128-Kbyte ROM: An address from 00FE 0000h to 00FF FFFFh

When the FENTRYR.FENTRY0 bit is 1 with 256-Kbyte ROM: An address from 00FC 0000h to 00FF FFFFh

When the FENTRYR.FENTRY0 bit is 1 with 384-Kbyte ROM: An address from 00FA 0000h to 00FF FFFFh

When the FENTRYR.FENTRY0 bit is 1 with 512-Kbyte/768-Kbyte/1-Mbyte ROM: An address from 00F8 0000h to 00FF FFFFh

When the FENTRYR.FENTRY1 bit is 1 with 768-Kbyte ROM: An address from 00F4 0000h to 00F7 FFFFh

When the FENTRYR.FENTRY1 bit is 1 with 1-Mbyte ROM: An address from 00F0 0000h to 00F7 FFFFh

WA: ROM programming-destination address

Start address for programming of 2/8/128 bytes of data

BA: ROM erasure block address

An address within the target erasure block (specified as an address in the range for programming and erasure)

Data column WDn: nth word of data for programming (n = 1 to 64)

40.6.3 Connections between FCU Modes and Commands

The sets of FCU commands that can be accepted in each of the FCU modes are fixed. Furthermore, which commands are acceptable in a given FCU mode also depends on the state of the FCU.

Issuing of an FCU command must follow checking of the FCU's state after transitions of the FCU mode.

Commands that are acceptable in the various FCU modes and states are listed in Table 40.7. Issuing a command that is not currently acceptable leads to the FCU being placed in the command-locked state (see section 40.8.2, Command-Locked State).

Issuing of an FCU command must follow checking of the values of the FRDY, ILGLERR, ERSERR, and PRGERR bits in FSTATR0 and of the FSTATR1.FCUERR bit after transitions of the FCU mode. Furthermore, the FASTAT.CMDLK bit can be checked to see if an error has occurred. The value of the FASTAT.CMDLK bit is the logical OR of the ILGLERR, ERSERR, and PRGERR bits in FSTATR0 and the FSTATR1.FCUERR bit.

Table 40.7 Acceptable Commands and the State and Mode (ROM P/E Mode) of the FCU

	P/E Normal Mode			Status Read Mode									Lock-Bit Read Mode		
	Programming Suspended	Erase Suspended	Other State	Programming or Erase	Programming during Erase Suspended State	Processing to Suspend Programming or Erase	Lock Bit Read 2 Processing	Programming Suspended	Erase Suspended	Command-Locked State (FRDY = 0)	Command-Locked State (FRDY = 1)	Other State	Programming Suspended	Erase Suspended	Other State
FSTATR0.FRDY bit	1	1	1	0	0	0	0	1	1	0	1	1	1	1	1
FSTATR0.SUSRDY bit	0	0	0	1	0	0	0	0	0	0	0	0	0	0	0
FSTATR0.ERSSPD bit	0	1	0	0	1	0/1	0	0	1	0/1	0/1	0	0	1	0
FSTATR0.PRGSPD bit	1	0	0	0	0	0/1	0	1	0	0/1	0/1	0	1	0	0
FASTAT.CMDLK bit	0	0	0	0	0	0	0	0	0	1	1	0	0	0	0
Normal mode transition	A	A	A	x	x	x	x	A	A	x	x	A	A	A	A
Status read transition	A	A	A	x	x	x	x	A	A	x	x	A	A	A	A
Lock-bit read transition (lock bit read 1)	A	A	A	x	x	x	x	A	A	x	x	A	A	A	A
Peripheral clock notification	x	x	A	x	x	x	x	x	x	x	x	A	x	x	A
Programming	x	*	A	x	x	x	x	x	*	x	x	A	x	*	A
Block erase	x	x	A	x	x	x	x	x	x	x	x	A	x	x	A
P/E suspend	x	x	x	A	x	x	x	x	x	x	x	x	x	x	x
P/E resume	A	A	x	x	x	x	x	A	A	x	x	x	A	A	x
Status register clear	A	A	A	x	x	x	x	A	A	x	A	A	A	A	A
Lock bit read 2	A	A	A	x	x	x	x	A	A	x	x	A	A	A	A
Lock bit programming	x	*	A	x	x	x	x	x	*	x	x	A	x	*	A

A: Acceptable

*: Only programming is acceptable for blocks other than the block where erasure was suspended

x: Not acceptable

40.6.4 FCU Command Usage

The set of FCU commands consists of commands for FCU mode transitions, actually programming or erasing the ROM, error processing, and suspension and resumption. The following passages describe the various commands. For a description of the modes and states where the respective commands are acceptable, see section 40.6.3, Connections between FCU Modes and Commands.

40.6.4.1 Mode Transitions

This subsection covers the commands for mode transitions. For an illustration of the various transitions between modes, see Figure 40.4.

(1) Switching to ROM P/E Mode

A transition to ROM P/E mode is required before executing an FCU command for the ROM becomes possible. Setting the FENTRY0 and FENTRY1 bits in FENTRYR to 1 causes a transition to ROM P/E mode for programming and erasure of the corresponding address range.

Before proceeding to program or erase the ROM, enable programming and erasure by writing 01h as a byte to FWEPROR (see section 40.2.1, Flash Write Erase Protection Register (FWEPROR)).

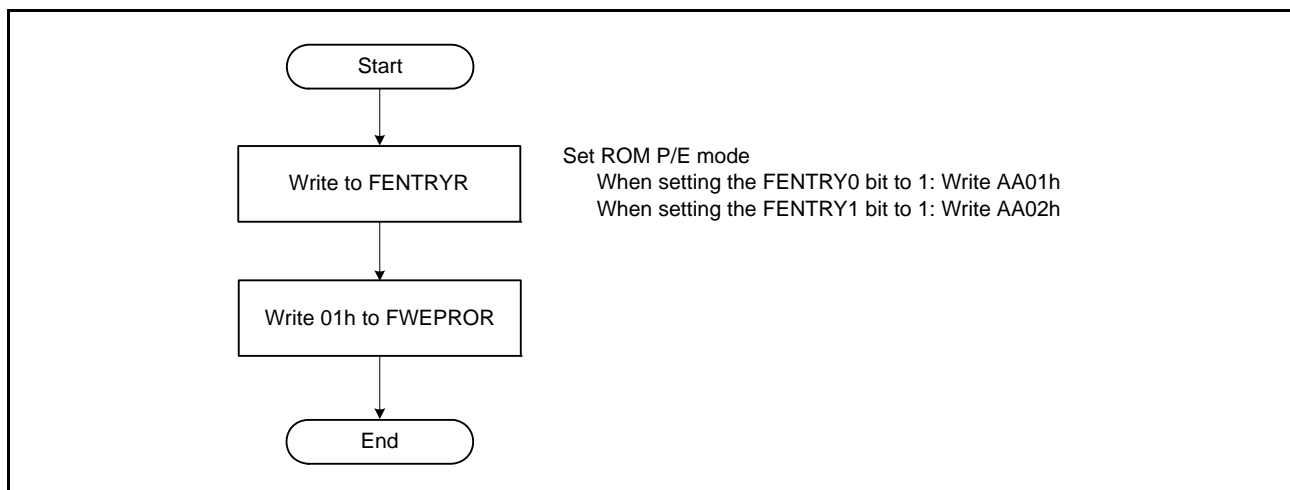


Figure 40.5 Procedure for Transition to ROM P/E Mode

(2) Switching to ROM Read Mode

High-speed reading of the ROM requires clearing of the FENTRY0 and FENTRY1 bits in FENTRYR, which places the FCU in ROM read mode.

Writing of 02h as a byte to FWEPROR is also required to disable programming and erasure (see section 40.2.1, Flash Write Erase Protection Register (FWEPROR)).

Before switching the FCU from ROM P/E mode to read mode, ensure that all processing of FCU commands has been completed and that the FCU has not detected an error.

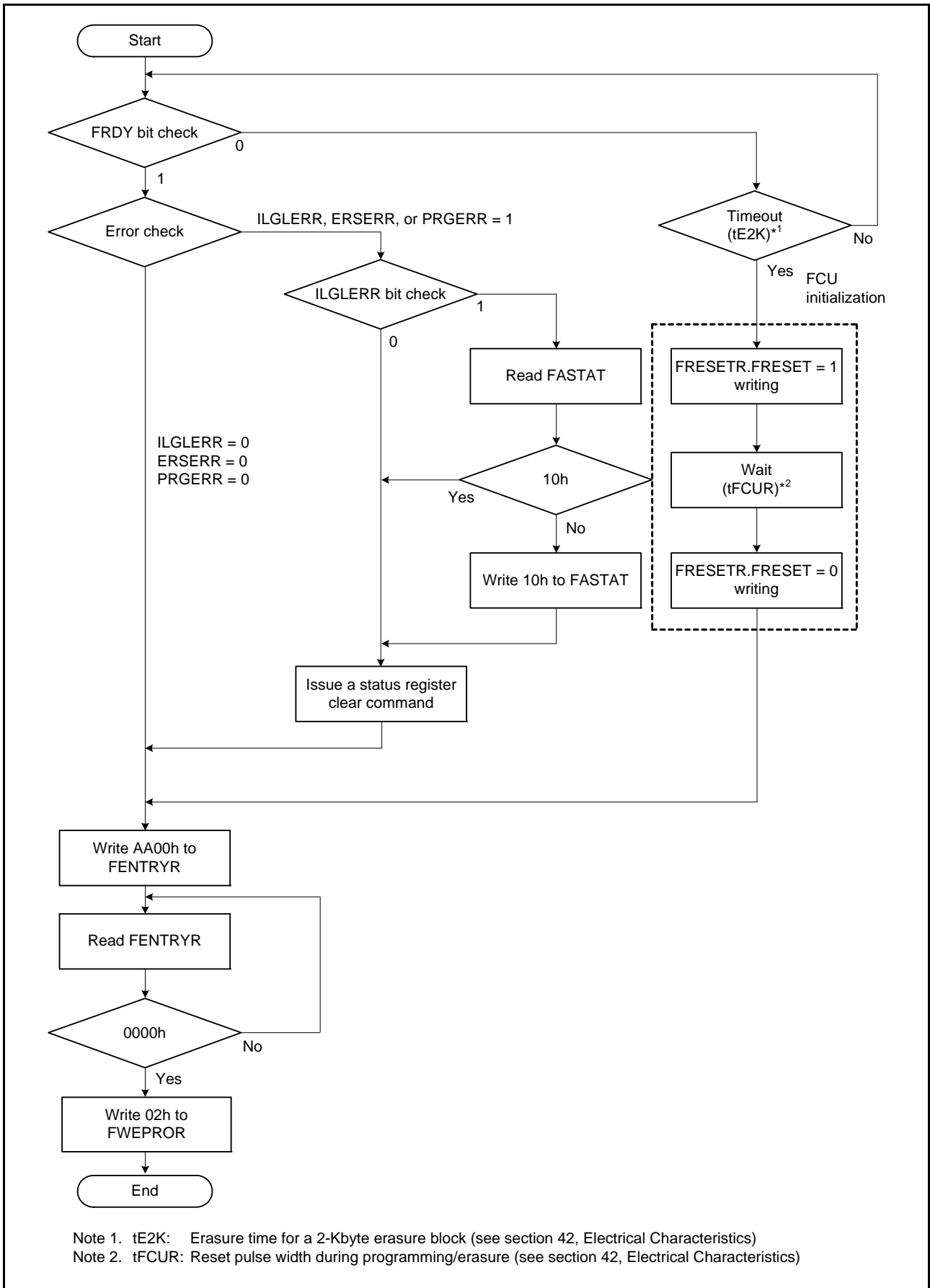


Figure 40.6 Procedure for Transition to ROM Read Mode

(3) Switching to ROM P/E Normal Mode

Two methods are available for the transition to ROM P/E normal mode: setting FENTRYR while the FCU is in ROM read mode (see section 40.6.1, FCU Modes), or issuing the normal mode transition command while the FCU is in ROM P/E mode (see Figure 40.7). The normal mode transition command is issued by writing FFh as a byte to a ROM programming/erasure address.

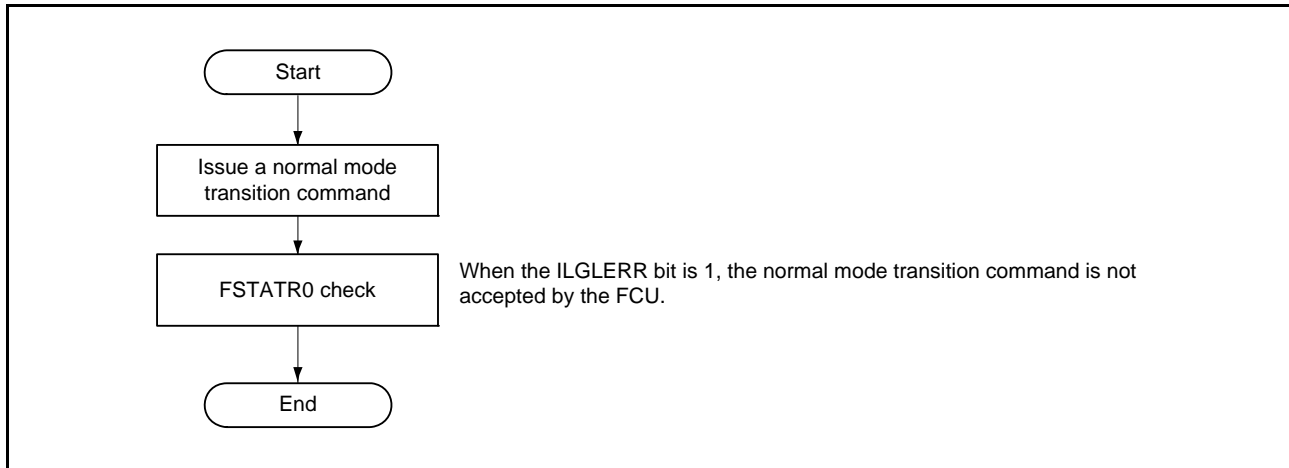


Figure 40.7 Procedure for Transition to ROM P/E Normal Mode

(4) Switching to ROM Status Read Mode

Issuing an FCU command other than a normal mode transition or lock bit read mode transition command places the FCU in ROM status read mode. The same transition can be obtained by issuing the status read mode transition command.

Figure 40.8 shows the procedure for checking FSTATR0 as an example. In the example, the status read mode transition command is issued to place the FCU in ROM status read mode, and the value of FSTATR0 is obtained by read access to a ROM programming/erasure address and then checked.

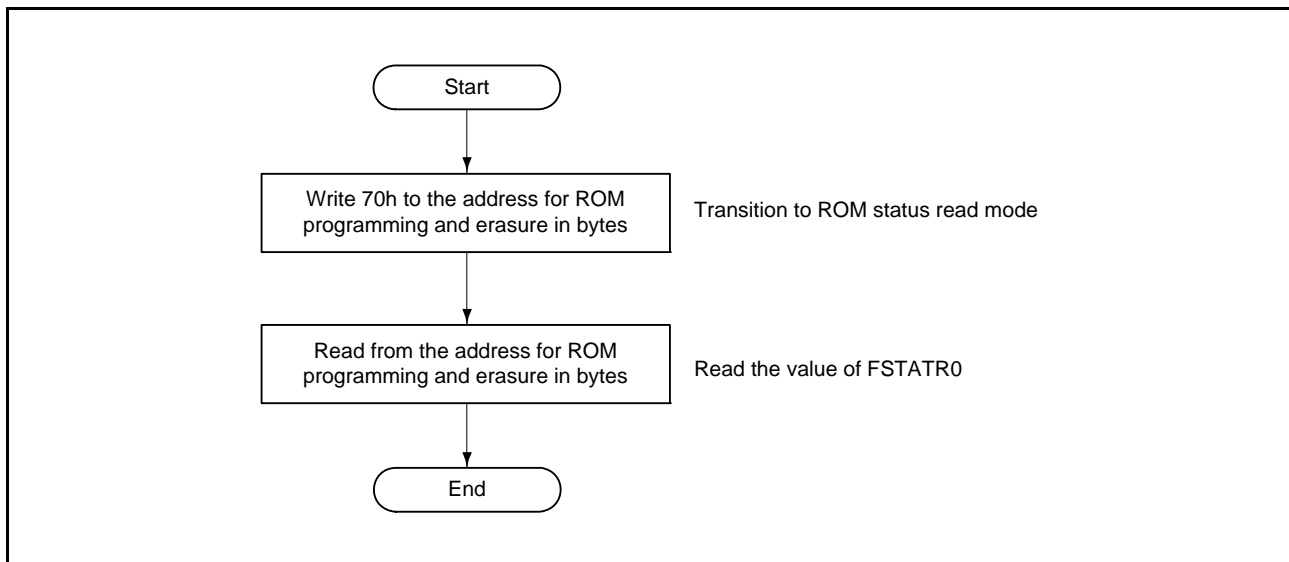


Figure 40.8 Procedure for Transition to ROM Status Read Mode and the Status Checking

(5) Switching to ROM Lock-Bit Read Mode

Clearing the FMODR.FRDM bit (memory area reading method) issues a lock bit read mode transition (lock bit read 1) command. After the transition to ROM lock bit read mode, the lock bit value is obtained by read access to a ROM programming/erasure address. All bits of a value thus read have the value of the lock bit of the erasure block that contains the accessed address (Figure 40.9).

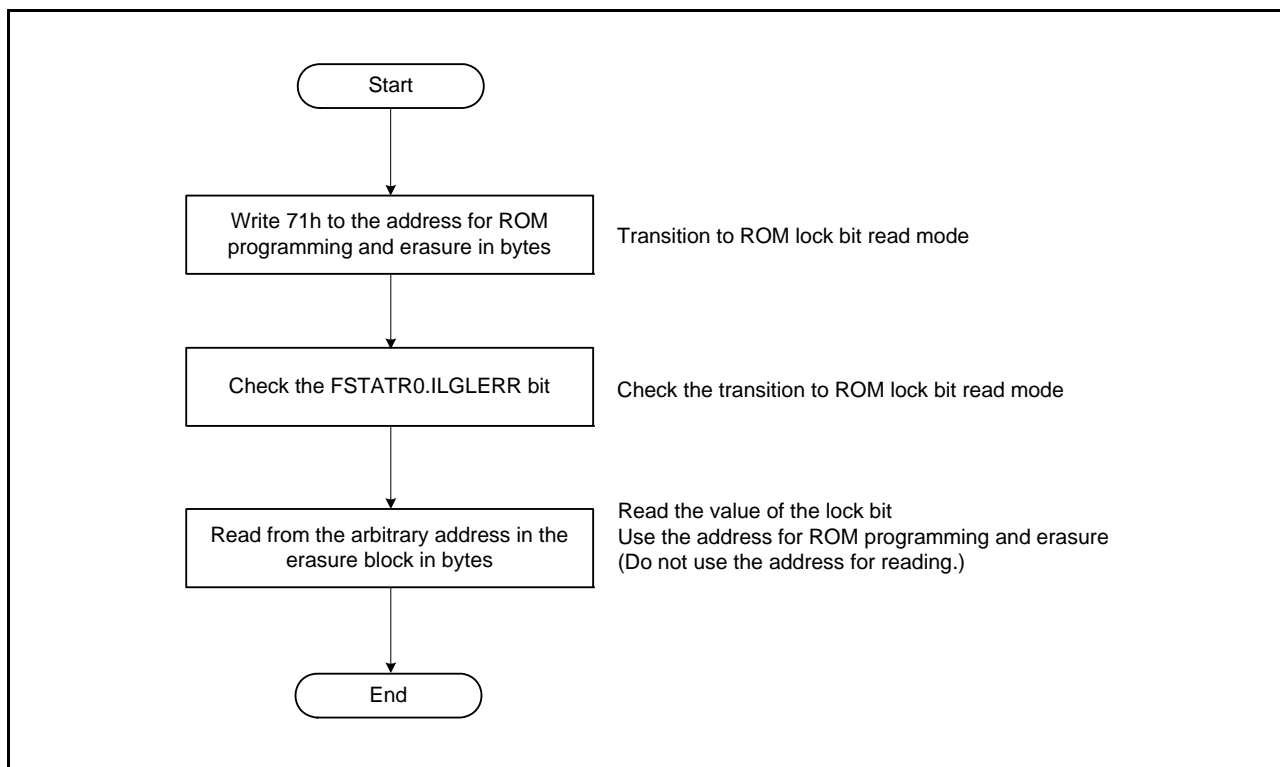


Figure 40.9 Procedure for Transition to ROM Lock-Bit Read Mode and Lock-Bit Reading

40.6.4.2 Programming and Erasure Procedures

The following passages describe the flow of procedures for programming or erasing the ROM. For details on the acceptance of commands by the FCU, see section 40.6.3, Connections between FCU Modes and Commands.

Figure 40.10 is a simple flowchart of the procedure for executing FCU commands.

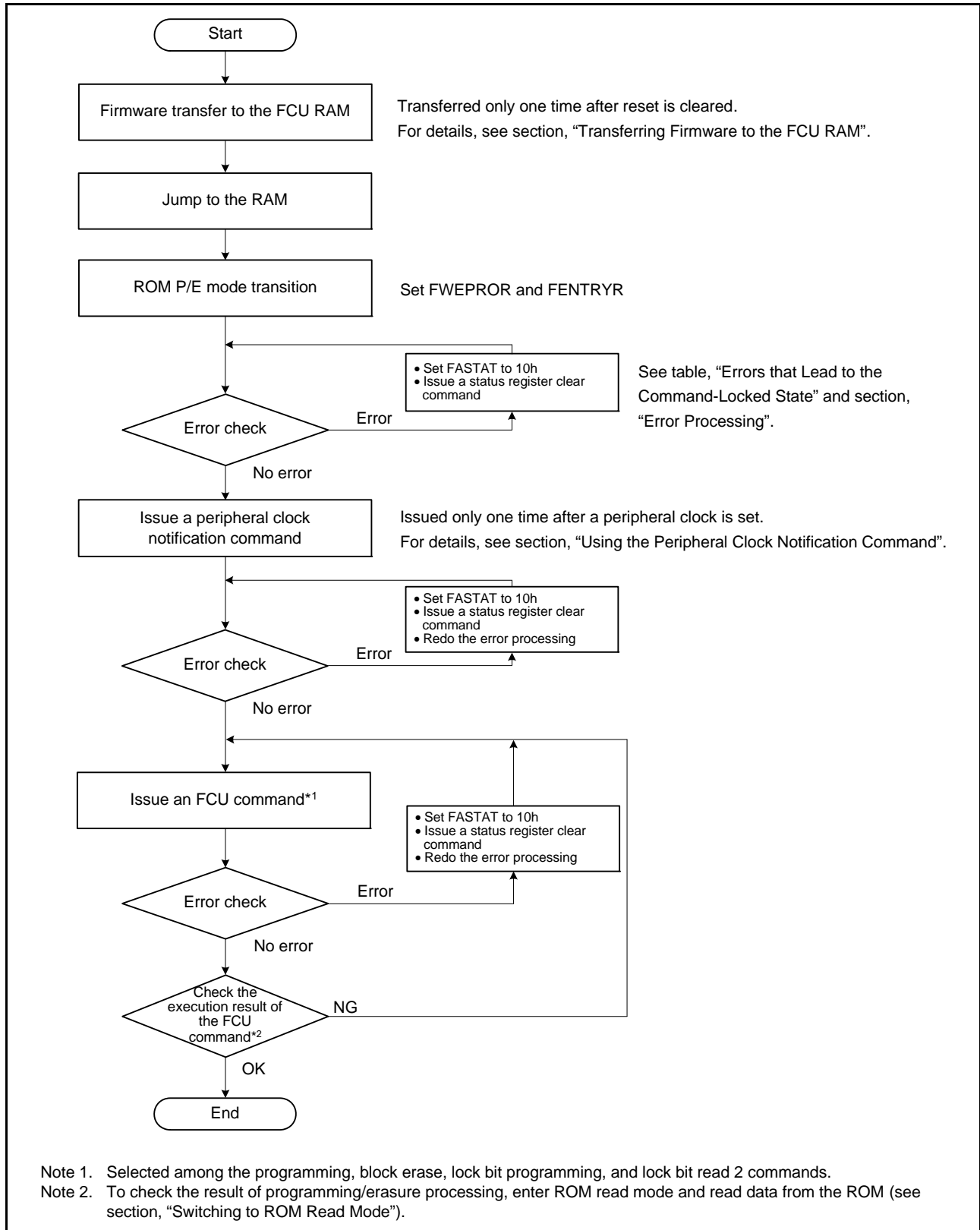


Figure 40.10 Simple Flowchart of the Procedure for Programming and Erasure

(1) Transferring Firmware to the FCU RAM

FCU commands can only be used if the FCU RAM holds the firmware for the FCU. The FCU RAM does not hold the FCU firmware immediately after the chip has been booted up, so the firmware must be copied from the FCU firmware area to the FCU RAM. Furthermore, when the FSTATR1.FCUERR bit is set to 1, the FCU must be reset and the firmware recopied because the firmware stored in the FCU RAM may have been corrupted.

Figure 40.11 shows the flow of the procedure for transferring firmware to the FCU RAM. Before writing data to the FCU RAM, set FENTRYR to 0000h and stop the FCU. See section 16, DMA Controller (DMACA), for information on setting up the DMAC to handle data transfer.

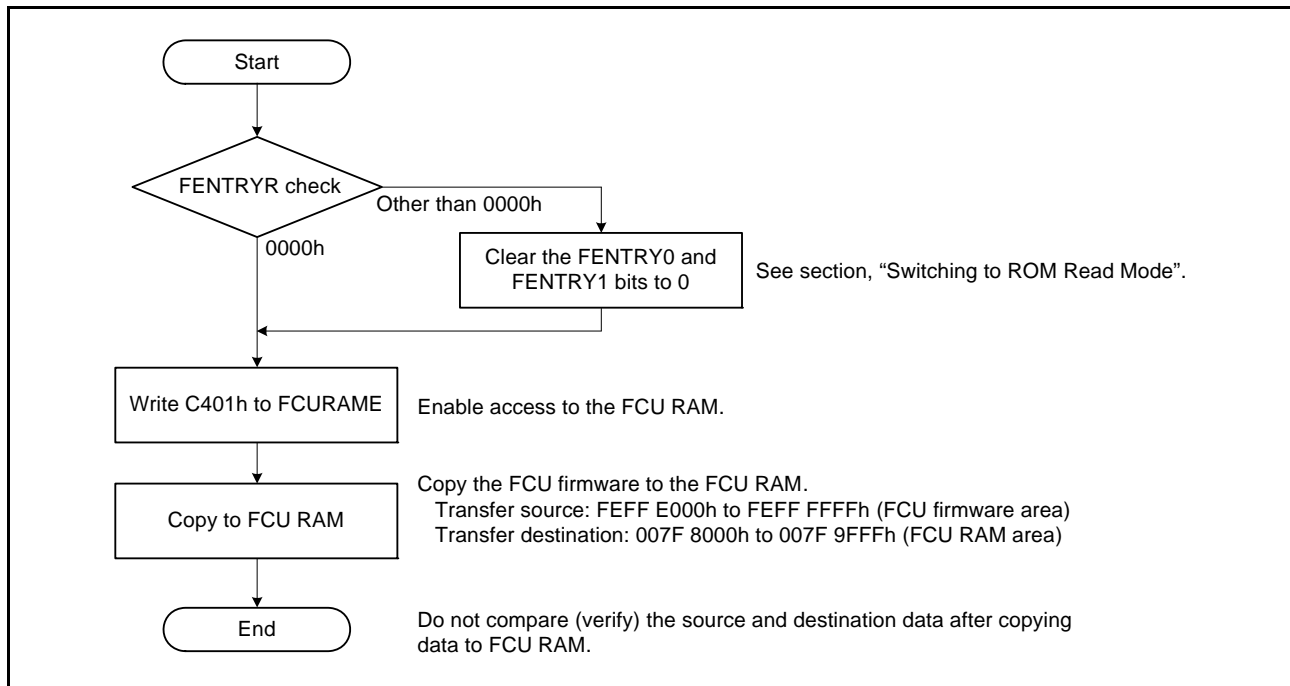


Figure 40.11 Procedure for Firmware Transfer to FCU RAM

(2) Jumping to Locations in RAM

Since fetching instructions from the ROM is not possible while the ROM is being programmed or erased, code has to be executed from an area other than the ROM. Copy the required instruction code to RAM and then make a jump to the address where the code starts in RAM.

(3) Transition to ROM P/E Mode

The FCU is placed in ROM P/E mode by setting the FENTRY0 and FENTRY1 bits in FENTRYR and FWEPROR register. For details, see section 40.6.4.1, (1) Switching to ROM P/E Mode.

(4) Using the Peripheral Clock Notification Command

The FlashIF clock (FCLK) is used in programming and erasing the ROM, so the frequency of this clock has to be set in PCKAR. Frequencies in the range from 4 MHz to 32 MHz are selectable. If a frequency within this range has not been set, the FCU will detect the error and enter the command-blocked state (see section 40.8.2, Command-Locked State). Note that if the PCKA[7:0] bits in the PCKAR register are set to values outside the range from 4 MHz to 32 MHz, do not issue a programming command to the ROM/E2 DataFlash.

The peripheral clock notification command is used after the PCKAR setting has been made. In the first and second cycles for the peripheral clock notification command, respectively, the values E9h and 03h are written as a byte to the address range for programming and erasure of the ROM. Word-size writing is used in the third to fifth cycles of the command. After 0F0Fh has been written three times (as a word) to the address range for programming and erasure of the ROM, the process of the FCU setting the frequency of the peripheral clock starts once the value D0h has been written as a byte in the sixth cycle. The FSTATR0.FRDY bit can be used to check whether or not the settings have been completed.

Addresses that can be used in the first to sixth cycles differ according to the settings of the FENTRY0 and FENTRY1 bits in FENTRYR. Ensure that the addresses suit the settings of the FENTRY0 and FENTRY1 bits in FENTRYR. If issuing of the command is attempted with an erroneous combination of the settings of the FENTRY0 and FENTRY1 bits in FENTRYR and the specified addresses, the FCU will detect the error and enter the command-blocked state (see section 40.8.2, Command-Locked State).

Furthermore, if the setting for the peripheral clock in use will not be changed from this setting after release from the reset state, this setting is also valid for the next FCU command.

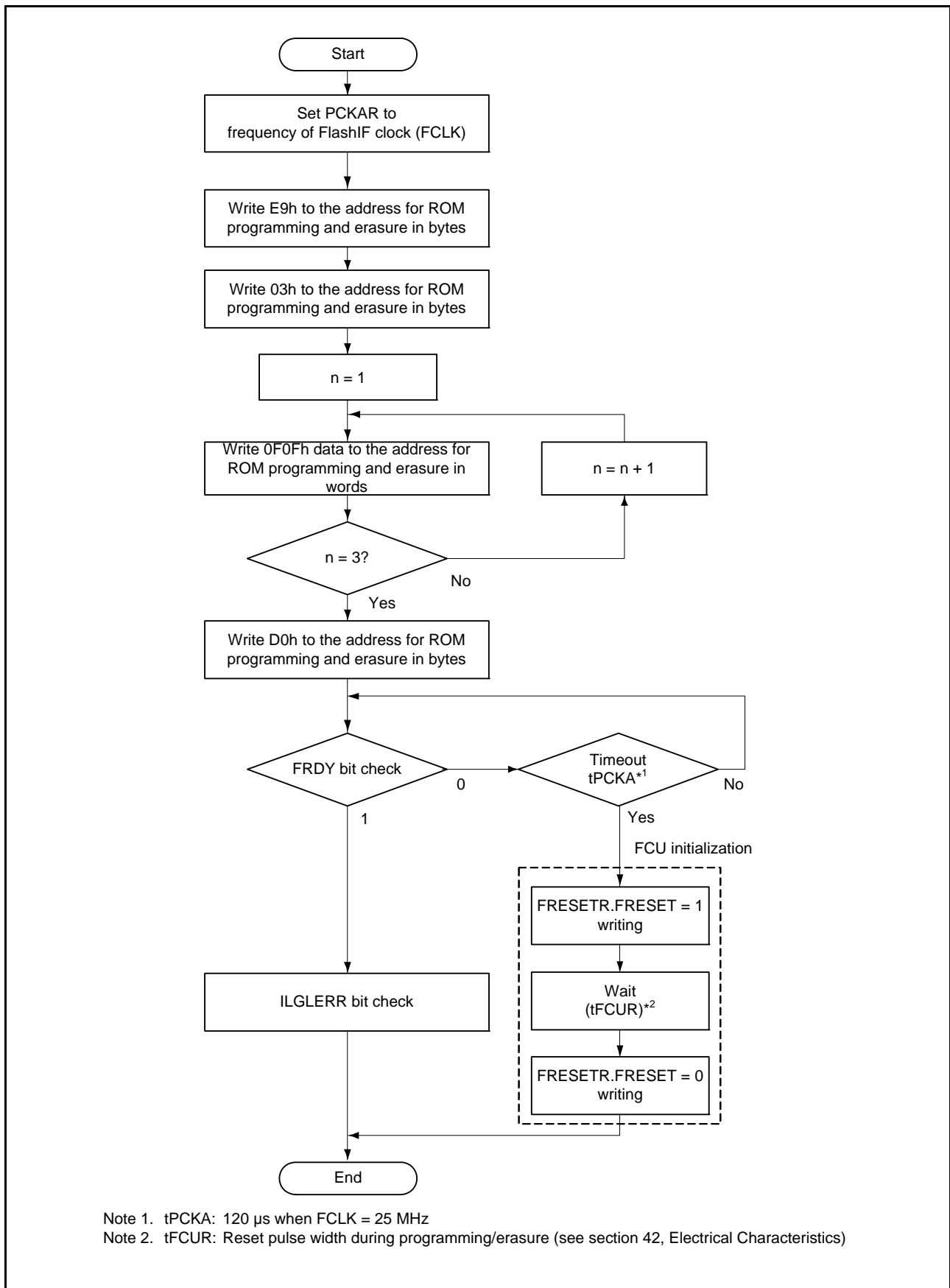


Figure 40.12 Using the Peripheral Clock Notification Command

(5) Programming

The programming command is used to write data to the ROM.

In the first cycle of the programming command, the value E8h is written as a byte to the address range for programming and erasure of the ROM. In the second cycle, the values, 01h (for 2-byte programming), 04h (for 8-byte programming), or 40h (for 128-byte programming) are written to the same address range. In the third cycle, write the actual data to be programmed, as a word unit, to the start address of the target area for programming.

In the case of 128-byte programming, 128 bytes (64 words) of data are written to the ROM in the third to the 66th cycles, divided into 64 rounds. The start address of 128 bytes for programming is specified in the third cycle. The address range specified at this time must be an integral multiple of 128. The address range specified in the fourth to the 66th cycles does not need to be the address range for actual programming.

In the case of 8-byte programming, 8 bytes (4 words) of data are written to the ROM in the third to the sixth cycles, divided into four rounds. The start address of 8 bytes for programming is specified in the third cycle. The address range specified at this time must be an integral multiple of 8. The address range specified in the fourth to the sixth cycles does not need to be the address range for actual programming.

In the case of 2-byte programming, the address range and data for programming are specified in the third cycle. The address range must be an even number.

Once the value D0h has been written as a byte to the address range for programming and erasure of the ROM in the 67th cycle, the FCU begins the actual process of programming the ROM. The FSTATR0.FRDY bit can be used to check whether or not the programming has been completed.

Addresses that can be used in the first to 67th cycles differ according to the setting of the FENTRYR.FENTRY0 and FENTRY1 bits. Ensure that the addresses suit the setting of FENTRYR.FENTRY0 and FENTRY1 bits. If issuing of the command is attempted with an erroneous combination of the setting of the FENTRYR.FENTRY0 and FENTRY1 bits and the specified addresses, the FCU will detect the error and enter the command-blocked state (see section 40.8.2, Command-Locked State).

In cases where the target range in the third to 66th cycles includes addresses that do not require programming, use FFFFh as the data for programming to those addresses. To execute programming with lock bit protection disabled, proceed with programming after setting the FPROTR.FPROTCN bit to 1.

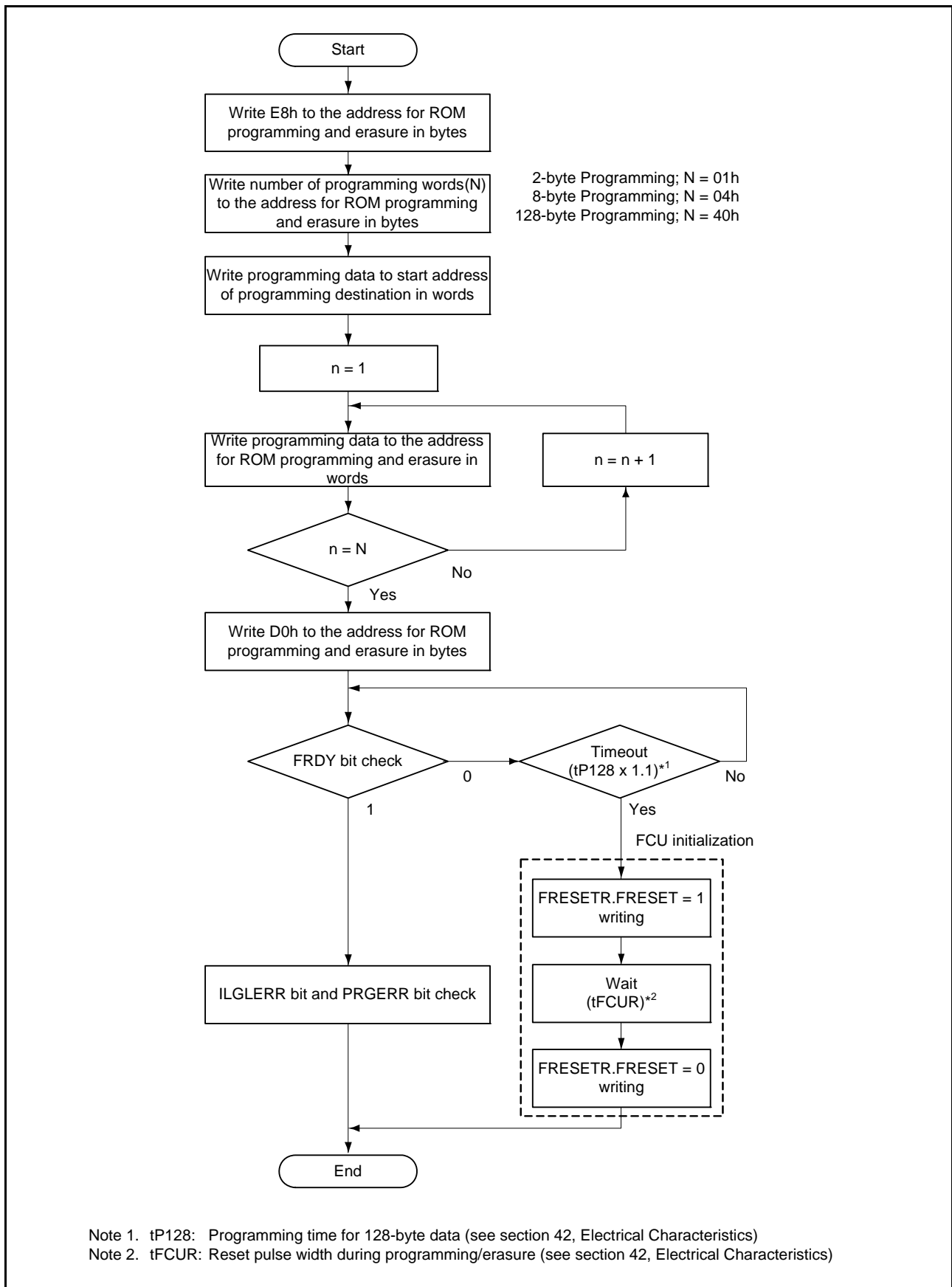


Figure 40.13 Procedure for ROM Programming

(6) Erasure

To erase data from the ROM, use the block erase command.

Write 20h to the ROM programming/erasure address in byte access in the first cycle of the block erase command. When D0h is written to an arbitrary address in a target erasure block in byte access in the second cycle, the FCU starts the erasure processing for the ROM. Whether erasure is completed can be checked with the FSTATR0.FRDY bit. Reading the erased ROM by the CPU returns FFFF FFFFh in 32 bits.

To execute an erasure with lock bit protection disabled, set the FPROTR.FPROTCN bit before erasure.

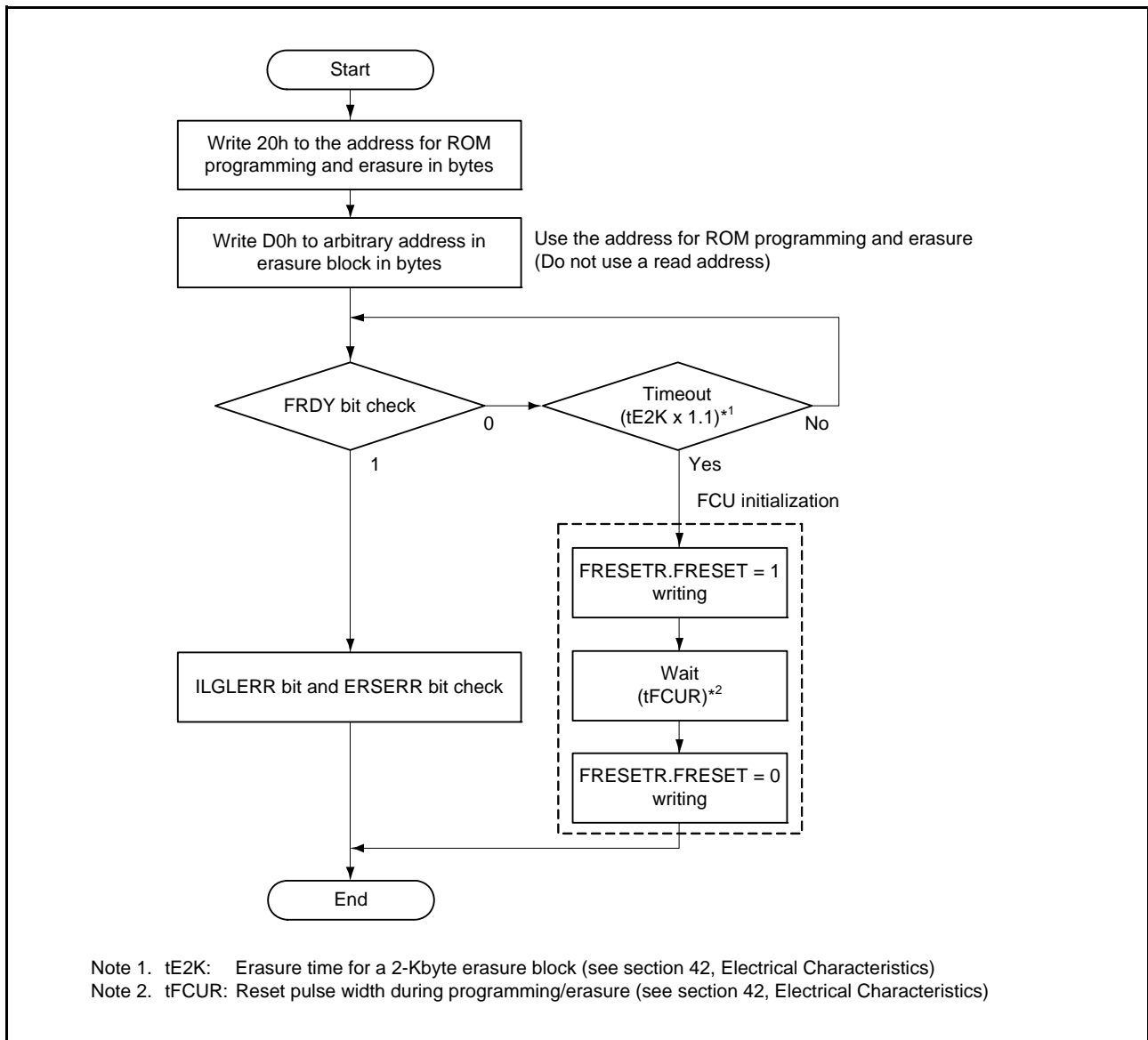


Figure 40.14 Procedure for ROM Erasure

(7) Writing to/Erasing Lock Bits

Each erasure block in the user area includes a lock bit. To write to a lock bit, use the lock bit programming command. In the first cycle of the lock bit programming command, 77h is written to the ROM programming/erasure address as a byte. When D0h is written to an arbitrary address in an erasure block whose lock bit is to be written to in the second cycle as a byte, the FCU starts the processing to write to the lock bit. Whether writing is completed can be checked with the FSTATR0.FRDY bit.

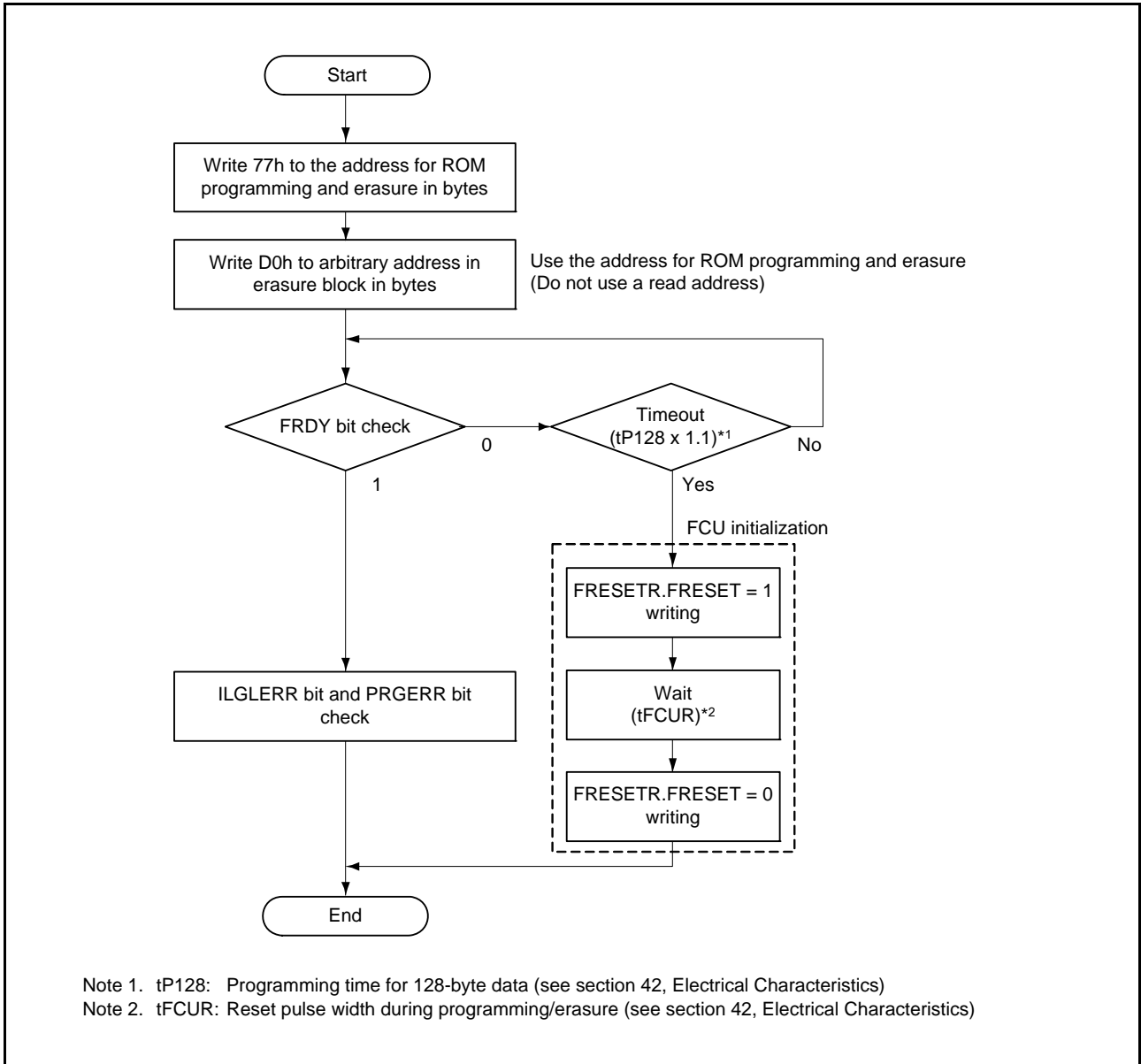


Figure 40.15 Procedure for Programming the Lock Bit

To erase a lock bit, use the block erase command.

When the FPROTR.FPROTCN bit is 0, erasure blocks whose lock bit is set to 0 cannot be erased. When erasing a lock bit, issue a block erase command with the FPROTCN bit set to 1. Using the block erase command erases all data in the erasure block. It is impossible to erase only a lock bit.

(8) Reading Lock Bits

Lock bits can be read by either reading from a memory area or reading from a register.

The lock bit read 2 command is issued in the case of the register reading method (i.e. when the FMODR.FRDM bit is set to 1). This command is issued to an address within the erasure block for which the lock bit is to be read; the address range is that for programming and erasing the ROM. In the first and second cycles of the lock bit read 2 command, the values 71h and D0h are written as bytes; once these values have been written, the value of the lock bit for the specified erasure block is copied to the FSTATR1.FLOCKST bit.

In the case of the memory area reading method (i.e. when the FMODR.FRDM bit is 0), the FCU is placed in ROM lock-bit read mode, and the lock bit is obtained by reading from an address within the address range for programming and erasure of the ROM. For details, see section 40.6.4.1, (5) Switching to ROM Lock-Bit Read Mode.

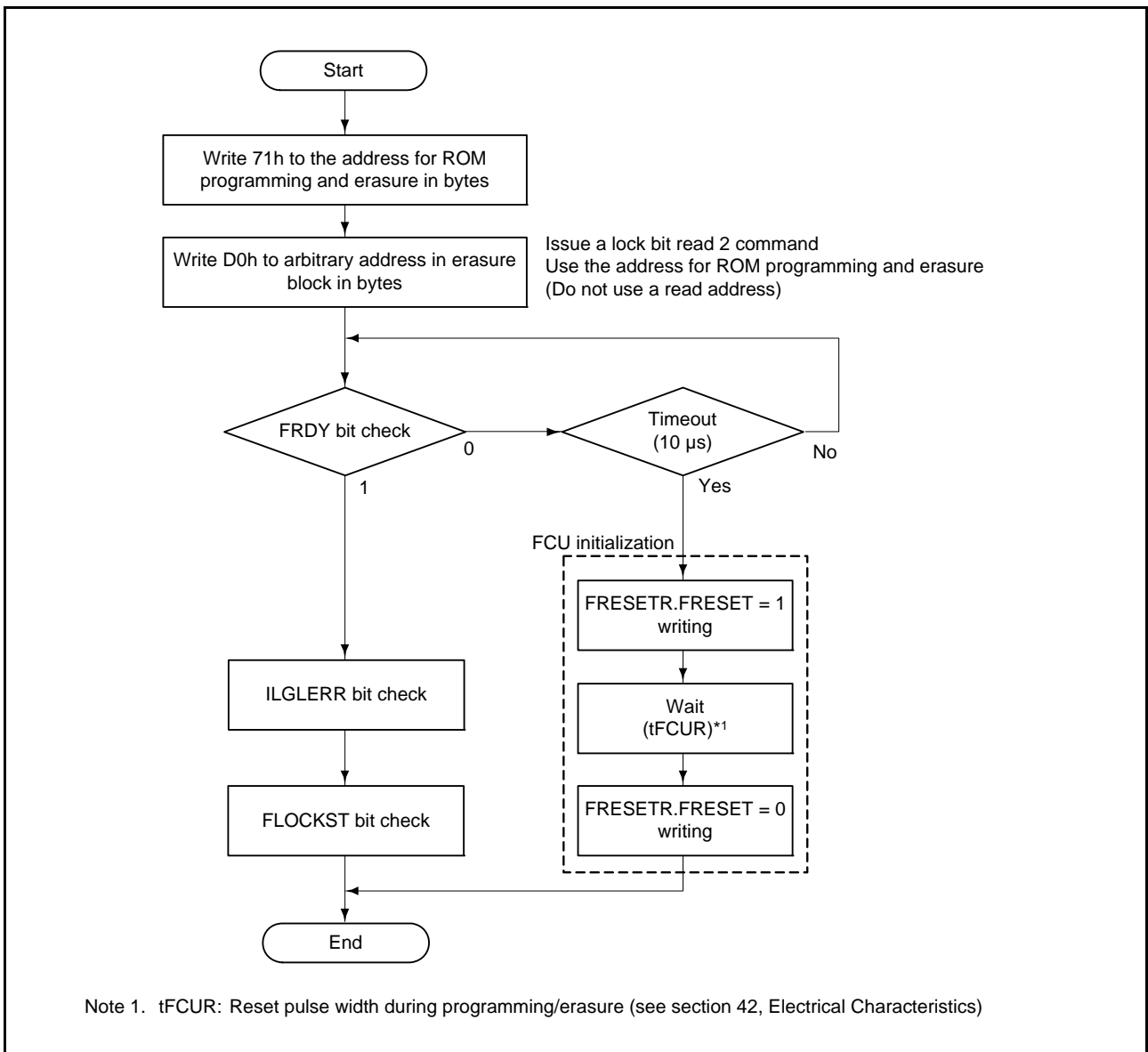


Figure 40.16 Procedure for Reading Lock Bit in Register Read Mode

40.6.4.3 Error Processing

The following passages describe the flow of error processing. For details on errors, see section 40.8, Protection.

(1) Checking Flash Status Register 0 (FSTATR0)

To check FSTATR0, read FSTATR0 directly or read the ROM programming/erasure address in ROM status read mode. For the reading in ROM status read mode, see section 40.6.4.1, (4) Switching to ROM Status Read Mode.

(2) Clearing Flash Status Register 0 (FSTATR0)

To clear the ILGLERR, ERSERR and PRGERR bits in FSTATR0 to 0, use the status register clear command.

When one of the ILGLERR, ERSERR and PRGERR bits in FSTATR0 is 1, the FCU is placed in the command-locked state and receives no FCU commands other than the status register clear command. If the ILGLERR bit is 1, also check the values of the ROMAEL, DFLAE, DFLRPE, and DFLWPE bits in FASTAT. Even if issuing a status register clear command without clearing these bits, the ILGLERR bit is not cleared to 0.

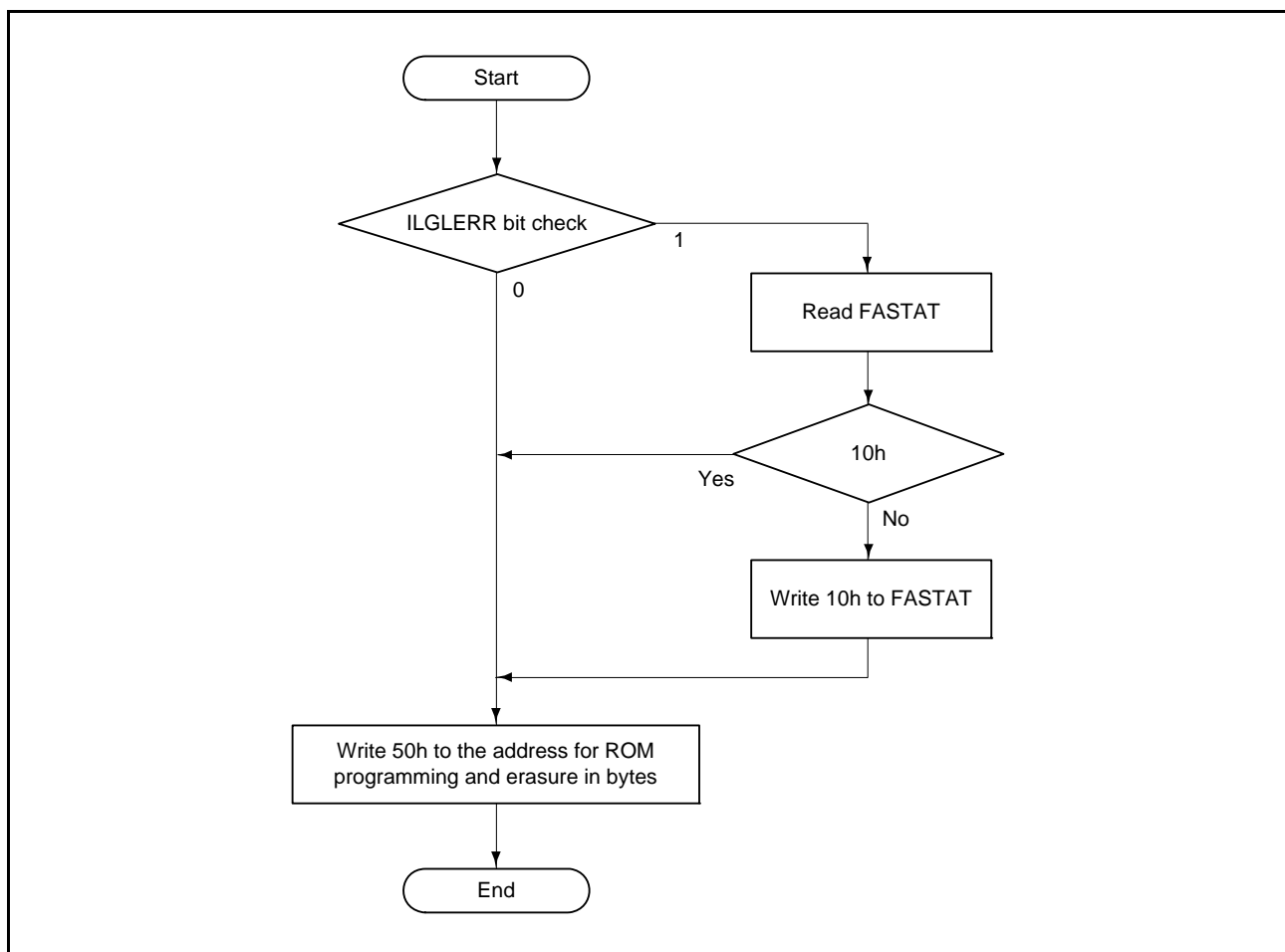


Figure 40.17 Procedure for Clearing FSTATR0

(3) Initializing the FCU

When a timeout leads to the FSTATR0.FRDY bit not being set to 1 after an FCU command has been issued, FRESETR must be used to initialize the FCU. FCU initialization by FRESETR is also necessary when the FSTATR1.FCUERR bit is 1. In either case, maintain the FRESETR.FRESET bit set to 1 for a period of tFCUR (see section 42, Electrical Characteristics). Disable reading from the ROM and E2 DataFlash memory during this period of keeping the FRESET bit set to 1. In addition, while the FRESET bit is 1, FCU commands are disabled because FENTRYR is initialized. Restart the processing from the start, as shown in Figure 40.10.

40.6.4.4 Suspension and Resumption

(1) Suspending Programming or Erasure

To suspend programming/erasure for the ROM, use the P/E suspend command.

When issuing a P/E suspend command, check that the ILGLERR, ERSERR, and PRGERR bits in FSTATR0 and the FSTATR1.FCUERR bit are 0, and the execution of programming/erasure is normally performed. To confirm that the suspend command can be received, also check that the FSTATR0.SUSRDY bit is 1. After issuing a P/E suspend command, read FSTATR0 and FSTATR1 to confirm that no error occurs.

If an error occurs during programming/erasure, at least one of the ILGLERR, PRGERR, ERSERR, and FCUERR bits is set to 1. When programming/erasure processing has finished during the interval from when the SUSRDY bit is checked as 1 to when a P/E suspend command is received, the ILGLERR bit is set to 1 because the issued P/E suspend command is detected as an illegal command.

When programming/erasure processing has finished simultaneously with the reception of a P/E suspend command, no error occurs and the suspended state is not entered (FSTATR0.FRDY bit is 1 and ERSSPD and PRGSPD bits in FSTATR0 are 0). When a P/E suspend command is received and then the programming/erasure suspend processing finishes normally, the FCU enters the suspended state, the FRDY bit is set to 1, and the ERSSPD or PRGSPD bit is set to 1. After issuing a P/E suspend command, check that the ERSSPD or PRGSPD bit is 1 and the FCU enters the suspended state, and then decide the subsequent flow. When issuing a P/E resume command in the subsequent flow although the FCU does not enter the suspended state, an illegal command error occurs and the FCU is placed in the command-locked state (see section 40.8.2, Command-Locked State).

If the erasure suspended state is entered, programming to blocks other than an erasure target can be performed.

Additionally, the programming and erasure suspended states can shift to ROM read mode by clearing FENTRYR.

For details on FCU operations at the reception of a P/E suspend command, see section 40.7, Suspending Operation.

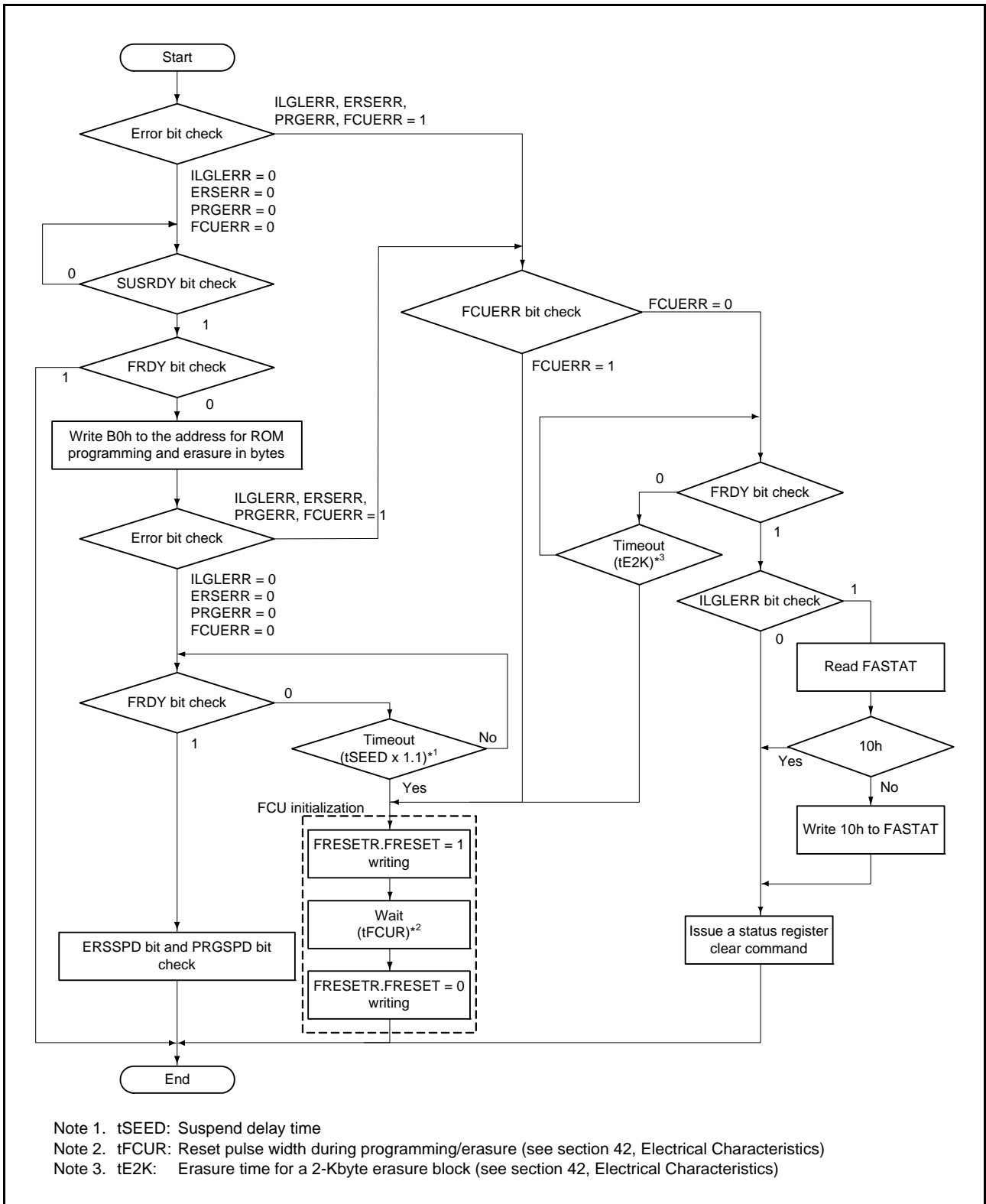


Figure 40.18 Procedure for Programming/Erasure Suspension

(2) Resuming Programming or Erasure

To resume a suspended programming/erasure processing, use the P/E resume command. When the FENTRYR register settings are changed during suspension, reset the FENTRYR register to the value immediately before the P/E suspend command was issued, and then issue a P/E resume command.

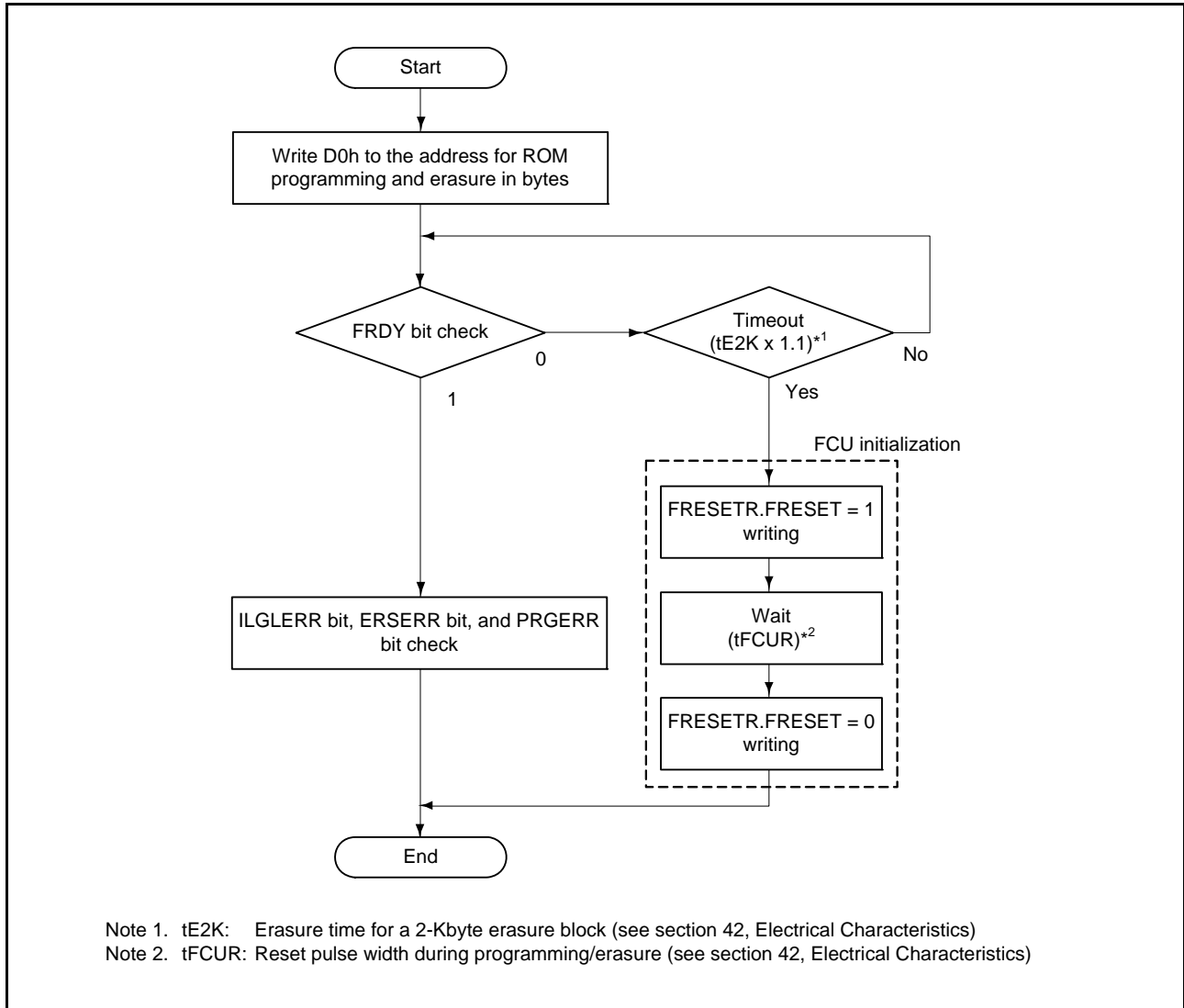


Figure 40.19 Procedure for Resuming Programming or Erasure

40.7 Suspending Operation

The ROM cannot be read during programming/erasure. The ROM can be read by suspending the ROM programming/erasure with the P/E suspend command. The P/E suspend command includes two programming modes (suspension priority mode and programming/erasure priority mode) and two erasure modes (suspension priority mode and programming/erasure priority mode). The P/E resume command that resumes suspended programming/erasure processing is also provided.

(1) Suspension during Erasure

- Suspension priority mode: Erasure can be suspended one time per pulse*1.
- Programming/erasure priority mode: Suspension is performed after completion of one programming/erasure pulse*1 (see Figure 40.20).

(2) Suspension during Programming

- Suspension priority mode: Programming can be suspended one time per pulse*1.
- Programming/erasure priority mode: Suspension is performed after completion of one programming/erasure pulse*1.

Note 1. Programming/erasure is performed by generating multiple pulses for a single programming/erasure command.

40.7.1 Suspension during Programming/Erasure (Suspension Priority Mode)

Figure 40.20 shows the suspend operation of erasure when the erasure suspend mode is set to the suspension priority mode (FCPSR.ESUSPMD bit is 0).

When receiving an erasure-related command, the FCU clears the FSTATR0.FRDY bit to 0 to start erasure. If the FCU enters the state in which the P/E suspend command can be received after starting erasure, the FSTATR0.SUSRDY bit is set to 1. When a P/E suspend command is issued, the FCU receives the command and clears the SUSRDY bit to 0. When receiving a suspend command during erasure, the FCU starts the suspend processing and sets the FSTATR0.ERSSPD bit to 1 even if it is applying an erasure pulse. When the suspend processing finishes, the FCU sets the FRDY bit to 1 to enter the erasure suspended state. When receiving a P/E resume command in the erasure suspended state, the FCU clears the FRDY and ERSSPD bits to 0 and resumes erasure. Operations of the FRDY, SUSRDY, and ERSSPD bits at the suspension and resumption of erasure are the same, regardless of the erasure suspend mode.

The setting of the erasure suspend mode affects the control method of erasure pulses. In suspension priority mode, when receiving a P/E suspend command while erasure pulse A that has never been suspended in the past is being applied, the FCU suspends the application of erasure pulse A and enters the erasure suspended state. When receiving a P/E suspend command while reapplying erasure pulse A after erasure is resumed by a P/E resume command, the FCU continues applying erasure pulse A. After the specified pulse application time, the FCU finishes erasure pulse application and enters the erasure suspended state. When the FCU receives a P/E resume command next and erasure pulse B starts to be newly applied, and then the FCU receives a P/E suspend command again, the application of erasure pulse B is suspended. In suspension priority mode, delay due to suspension can be minimized because the application of an erasure pulse is suspended one time per pulse and priority is given to the suspend processing.

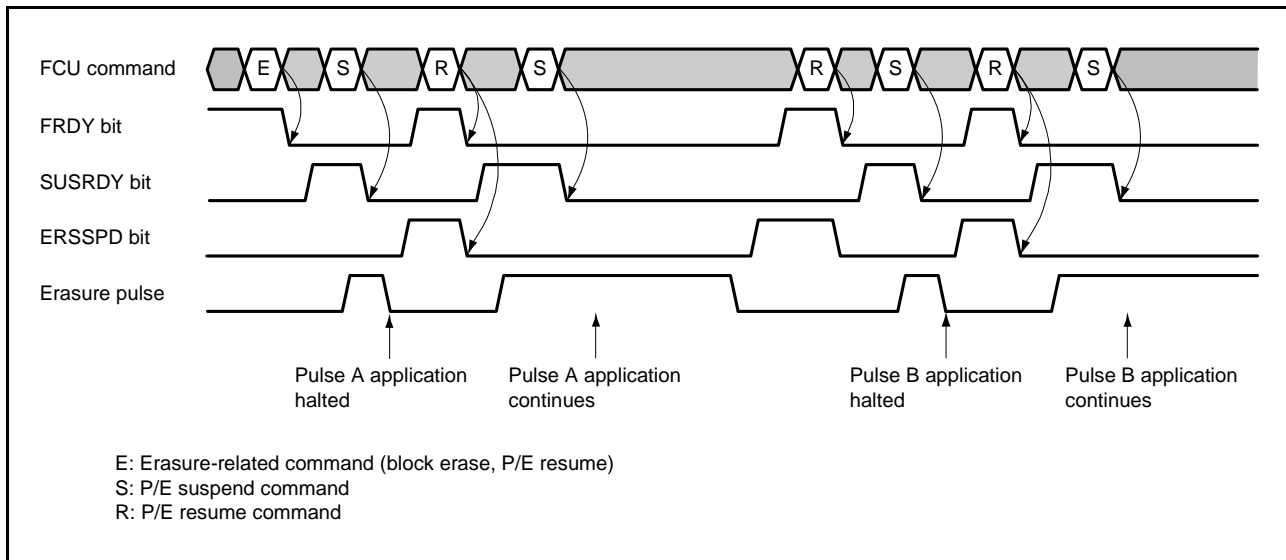


Figure 40.20 Suspension during Erasure (Suspension Priority Mode)

40.7.2 Suspension during Programming/Erase (Programming/Erase Priority Mode)

Figure 40.21 shows the suspend operation of erasure when the erasure suspend mode is set to the programming/erase priority mode (FCPSR.ESUSPMD bit is 1). The control method of erasure pulses in programming/erase priority mode is the same as that of programming pulses for the programming suspend processing.

If the FCU receives a P/E suspend command while an erasure pulse is being applied, the FCU definitely continues applying the pulse. In this mode, the required time for the whole erasure processing can be reduced as compared with the suspension priority mode because the reapplication of erasure pulses does not occur when a P/E resume command is issued.

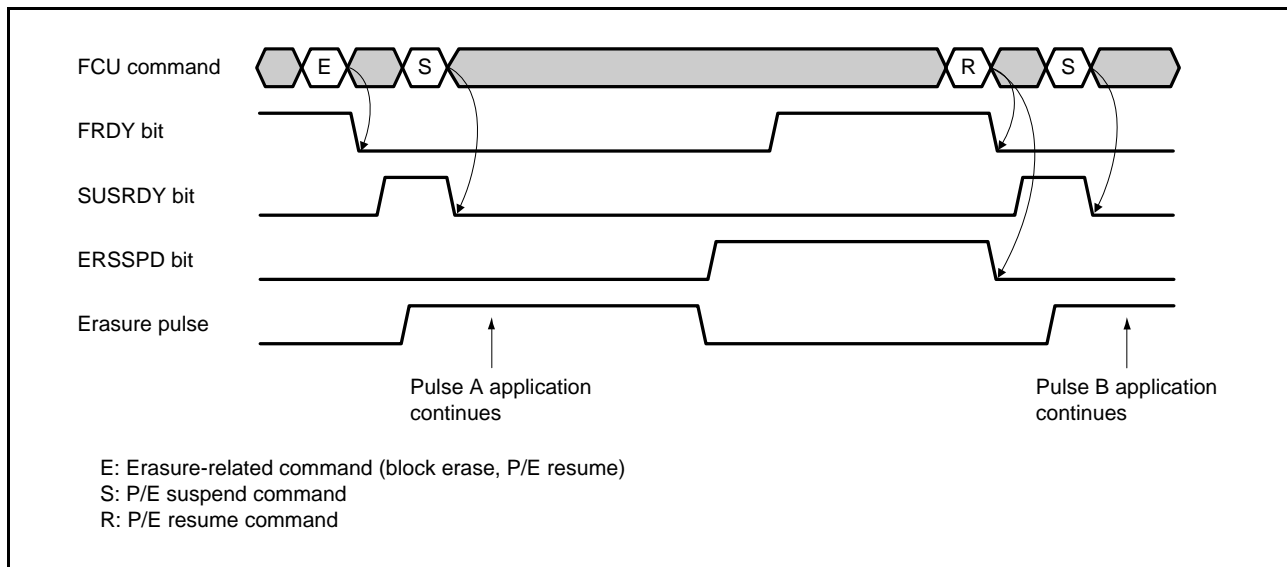


Figure 40.21 Suspension during Erasure (Programming/Erase Priority Mode)

40.8 Protection

Protection against programming/erasure for the ROM includes software protection and command-locked state.

40.8.1 Software Protection

With the software protection, the ROM programming/erasure is prohibited by the settings of the control registers or user area lock bit. When the software protection is violated and a ROM programming/erasure-related command is issued, the FCU detects an error and enters the command-locked state.

(1) Protection through FWEPROR

If the FWEPROR.FLWE[1:0] bits are not set to 01b, programming cannot be performed in any of the modes.

(2) Protection through FENTRYR

When the FENTRYR.FENTRY0, FENTRY1 bits are 0, ROM read mode is selected. Because the FCU command cannot be received in ROM read mode, ROM programming/erasure is prohibited. When an FCU command is issued in ROM read mode, the FCU detects an illegal command error and is placed in the command-locked state (see section 40.8.2, Command-Locked State).

(3) Protection through Lock Bit

Each erasure block in the user area includes a lock bit. When the FPROTR.FPROTCN bit is 0, erasure blocks whose lock bit is set to 0 are prohibited from being programmed/erased. To program or erase erasure blocks whose lock bit is set to 0, set the FPROTCN bit to 1. When the lock bit protection is violated and a ROM programming/erasure-related command is issued, the FCU detects a programming/erasure error and enters the command-locked state (see section 40.8.2, Command-Locked State).

40.8.2 Command-Locked State

With the command-locked state, the FCU detects malfunctions caused by FCU command issuance errors and prohibited access occurrences, and an FCU command is prohibited from being received.

When any bit from among the status bits (the ILGLERR, ERSERR, and PRGERR bits in FSTATR0, the FSTATR1.FCUERR bit, and the FASTAT.ROMAE bit) is set to 1, the FCU will be in the command-locked state (FASTAT.CMDLK bit is set to 1), so programming and erasure of the ROM are prohibited. To clear the command-locked state, a status register clear command must be issued with FASTAT set to 10h.

While the FAEINT.CMDLKIE bit is set to 1, if the FCU is placed in the command-locked state (FASTAT.CMDLK bit is set to 1), a flash interface error (FIFERR) interrupt occurs. While the FAEINT.ROMAEIE bit is set to 1, if the FASTAT.ROMAE bit is set to 1, an FIFERR interrupt occurs.

Table 40.8 lists the relationship between the contents of the ROM-related command-locked state and status bit values (FSTATR0.ILGLERR, ERSERR, and PRGERR bits, FSTATR1.FCUERR bit, and FASTAT.ROMAE bit) at error detection. If a command other than the suspend command is issued during programming/erasure and the FCU enters the command-locked state, it continues programming/erasure. In this state, it is impossible to issue a P/E suspend command and suspend programming/erasure. When a command is issued in the command-locked state, the ILGLERR bit is set to 1.

Table 40.8 Errors that Lead to the Command-Locked State (Types Dedicated to ROM and Types Common to ROM and E2 DataFlash) (1/2)

Type	Description	ILGLERR	ERSERR	PRGERR	FCUERR	ROMAE
FENTRYR setting error	More than one bit is set to 1 among the FENTRYD, FENTRY0, and FENTRY1 bits in FENTRYR	1	0	0	0	0
	The FENTRYR setting at suspension disagrees with that at resumption	1	0	0	0	0
Illegal command error	Undefined code is specified in the first cycle of an FCU command	1	0	0	0	0
	Other than D0h is specified in the last cycle of a multi-cycle FCU command	1	0	0	0	0
	The peripheral clock is set to other than 1 to 100 MHz in PCKAR (an error is not detected if the setting is from 1 to 4 MHz or from 50 to 100 MHz)	1	0	0	0	0
	A command other than the suspend command is issued during programming/erasure	1	0	0	0	0
	A suspend command is issued during processing other than programming/erasure	1	0	0	0	0
	A suspend command is issued in the suspended state	1	0	0	0	0
	A resume command is issued in other than the suspended state	1	0	0	0	0
	A programming/erasure-related command (programming/lock bit programming/block erase) is issued in the programming suspended state	1	0	0	0	0
	A block erase command is issued in the erasure suspended state	1	0	0	0	0
	A programming or lock bit programming command is issued to an erasure suspend target area in the erasure suspended state	1	0	0	0	0
	Other than 01h, 04h, or 40h is specified in the second cycle of a programming command	1	0	0	0	0
A command is issued in the command-locked state	1	0/1	0/1	0/1	0/1	
Erasure error	An error occurs during erasure	0	1	0	0	0
	When the FPROTR.FPROTCN bit is 0, a block erase command is issued to an erasure block whose lock bit is set to 0	0	1	0	0	0
Programming error	An error occurs during programming	0	0	1	0	0
	When the FPROTR.FPROTCN bit is 0, a programming or lock bit programming command is issued to an erasure block whose lock bit is set to 0	0	0	1	0	0
FCU error	An error occurs during FCU internal processing	0	0	0	1	0

Table 40.8 Errors that Lead to the Command-Locked State (Types Dedicated to ROM and Types Common to ROM and E2 DataFlash) (2/2)

Type	Description	ILGLERR	ERSERR	PRGERR	FCUERR	ROMAE
ROM access violation	When the FENTRYR.FENTRY0 bit is 1 in ROM P/E normal mode, a read access command is issued for addresses: 00FF 0000h to 00FF FFFFh when the user area capacity is 64 Kbytes, 00FE 8000h to 00FF FFFFh when the user area capacity is 96 Kbytes, 00FE 0000h to 00FF FFFFh when the user area capacity is 128 Kbytes, 00FC 0000h to 00FF FFFFh when the user area capacity is 256 Kbytes, 00FA 0000h to 00FF FFFFh when the user area capacity is 384 Kbytes, 00F8 0000h to 00FF FFFFh when the user area capacity is 512 Kbytes, 768 Kbytes, or 1 Mbyte.	1	0	0	0	1
	When the FENTRYR.FENTRY1 bit is 1 in ROM P/E normal mode, a read access command is issued for addresses: 00F4 0000h to 00F7 FFFFh when the user area capacity is 768 Kbytes or 00F0 0000h to 00FF 7FFFh when the user area capacity is 1 Mbyte.	1	0	0	0	1
	When the FENTRYR.FENTRY0 bit is 0, an access command is issued for addresses: 00FF 0000h to 00FF FFFFh when the user area capacity is 64 Kbytes, 00FE 8000h to 00FF FFFFh when the user area capacity is 96 Kbytes, 00FE 0000h to 00FF FFFFh when the user area capacity is 128 Kbytes, 00FC 0000h to 00FF FFFFh when the user area capacity is 256 Kbytes, 00FA 0000h to 00FF FFFFh when the user area capacity is 384 Kbytes, or 00F8 0000h to 00FF FFFFh when the user area capacity is 512 Kbytes, 768 Kbytes, or 1 Mbyte.	1	0	0	0	1
	When the FENTRYR.FENTRY0 bit is 1 a read access command is issued for addresses: 00F4 0000h to 00F7 FFFFh when the user area capacity is 768 Kbytes or 00F0 0000h to 00FF 7FFFh when the user area capacity is 1 Mbyte.	1	0	0	0	1
	When FENTRYR has set ROM in ROM P/E mode, a read access command is issued for addresses: FFFF 0000h to FFFF FFFFh when the user area capacity is 64 Kbytes, FFFE 8000h to FFFF FFFFh when the user area capacity is 96 Kbytes, FFFE 0000h to FFFF FFFFh when the user area capacity is 128 Kbytes, FFFC 0000h to FFFF FFFFh when the user area capacity is 256 Kbytes, FFFA 0000h to FFFF FFFFh when the user area capacity is 384 Kbytes, or FFF8 0000h to FFFF FFFFh when the user area capacity is 512 Kbytes, FFF4 0000h to FFFF FFFFh when the user area capacity is 768 Kbytes, or FFF0 0000h to FFFF FFFFh when the user area capacity is 1 Mbyte.	1	0	0	0	1

40.9 User Boot Mode

If the low level is on the MD pin and the high level is on the PC7 pin at the time of release from the reset state, the chip starts in user boot mode. The reset vector at this time points to the address FF7F FFFCh of the user boot area. For other vector tables, refer to normal vector table (see section 14, Interrupt Controller (ICUb)).

In user boot mode, it is possible to perform programming using a given interface; user area or data area can be programmed or erased by issuing the FCU command. Note that programming to the user boot area should be performed in boot mode.

40.10 Boot Mode

40.10.1 System Configuration

In boot mode, the host sends control commands and data for programming, and the user area, data area, and user boot area are programmed or erased accordingly. An on-chip SCI handles transfer between the host and RX210 in asynchronous mode. Tools for transmission of control commands and the data for programming must be prepared in the host.

When the RX210 is activated in boot mode, the program on the area that holds the boot program is executed. This program automatically adjusts the bit rate of the SCI and controls programming/erasure by receiving control commands from the host.

Figure 40.22 shows the system configuration for operations in boot mode.

Input and output pins associated with the ROM are listed in Table 40.9.

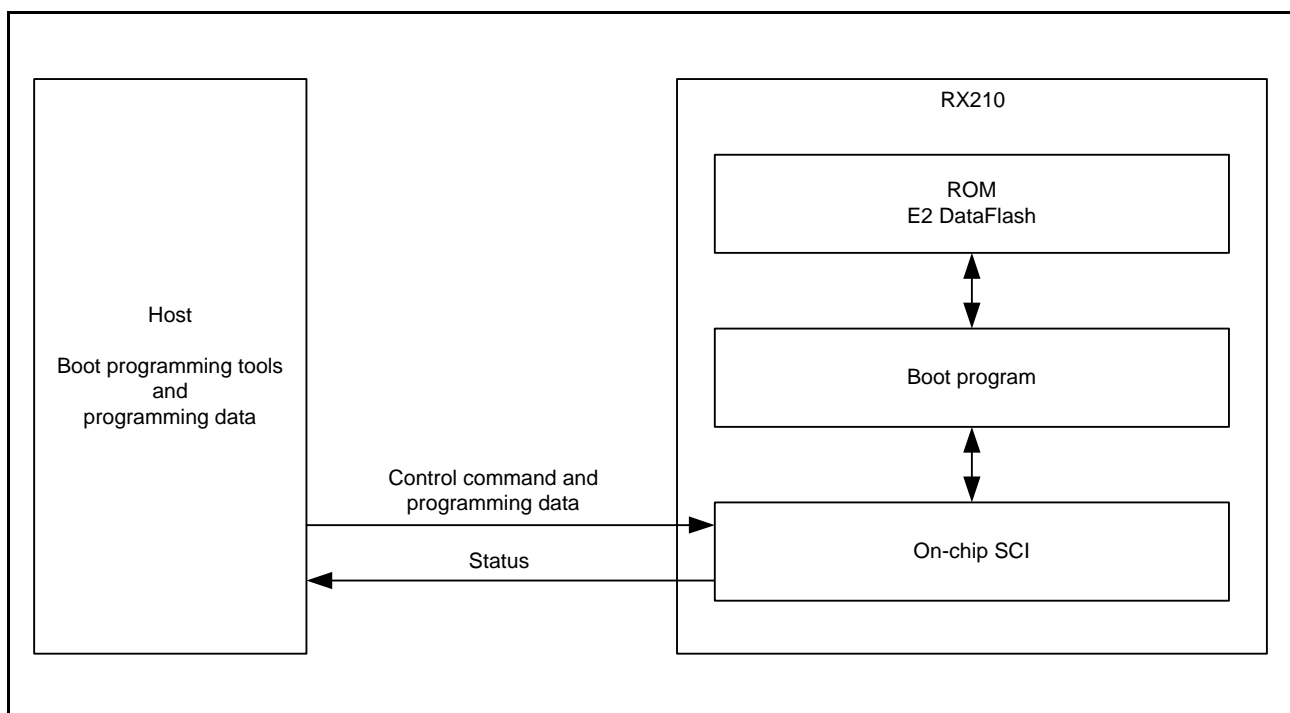


Figure 40.22 System Configuration for Operations in Boot Mode

Table 40.9 Input and Output Pins Associated with the ROM

Pin Name	I/O	Description
MD	Input	Selection of operating mode
PC7	Input	Selection of boot mode or User boot mode
P30/RXD1	Input	Used in boot mode to receive data via SCI1 (for host communications)
P26/TXD1	Output	Used in boot mode to transmit data from SCI1 (for host communications)

40.10.2 State Transitions in Boot Mode

Figure 40.23 is a diagram of the state transitions in boot mode.

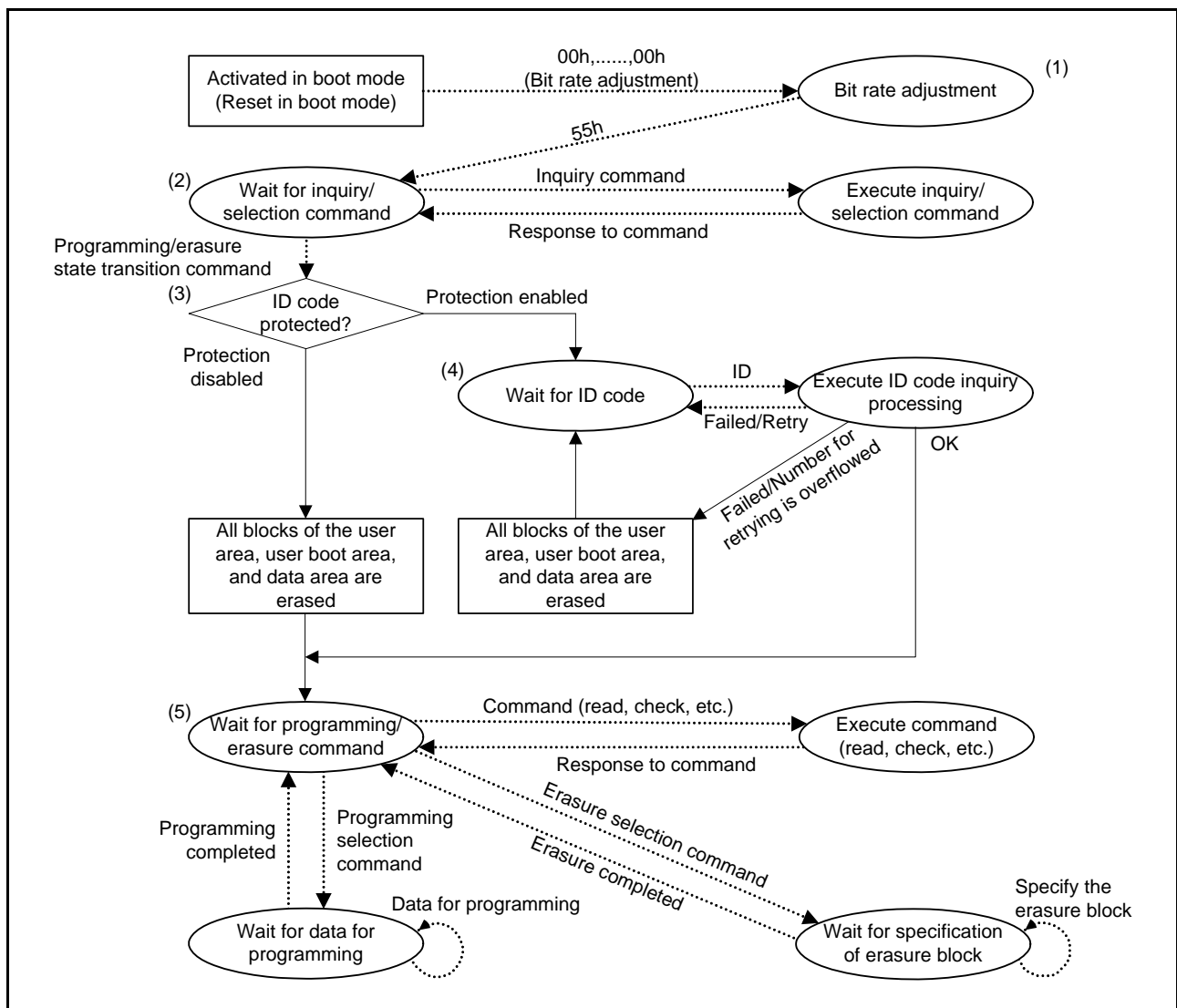


Figure 40.23 State Transitions in Boot Mode

(1) Matching the Bit Rates

When the RX210 is activated in boot mode, the bit rate of the SCI is automatically adjusted to match that of the host. On completion of this automatic bit rate adjustment, the RX210 transmits the value 00h to the host. On subsequent correct reception of the value 55h sent from the host, the RX210 enters of wait for a command for inquiry or selection. For details on matching of the bit rates, see section 40.10.3, Automatic Adjustment of the Bit Rate.

(2) Waiting for a Command for Inquiry or Selection

This state is for inquiries on area size, area configuration, the addresses where areas start, the state of support, etc., and for selection of the device, clock mode, and bit rate. The RX210 receives a programming/erasure state transition command issued by the host and then enters the state to determine whether ID code protection is enabled or disabled. For the inquiry/selection commands, see section 40.10.6, Inquiry/Selection Command Wait.

(3) Judging ID Code Protection

This state is for determining whether ID code protection is enabled or disabled. The control code and ID code written in ROM are used to determine whether ID code protection is enabled or disabled. When enabled, the state of waiting for the ID code is entered. When disabled, the user area and data area are completely erased, and the wait for programming and erasure commands is entered. For details on the control code and ID code, see section 40.10.4, ID Code Protection (Boot Mode).

(4) Waiting for an ID Code

This state is for waiting for the control code and ID code to be sent from the host. The control code and ID code sent by the host are compared with the code stored in ROM, and the state of waiting for programming and erasure commands is entered if the two match. If they do not match, the next transition is back to the state of waiting for an ID code. However, if the ID codes fail to match three times in a row and also the state of protection is authentication method 1, the ROM is completely erased, and the state of waiting for an ID code is entered again. A reset is required to release the system from this state due to non-matching ID codes. For details on the control code and ID code, see section 40.10.4, ID Code Protection (Boot Mode).

(5) Waiting for a Command for Programming or Erasure

In this state, programming and erasure proceed in accordance with commands from the host. In response to the reception of a command, the RX210 enters the wait for the data to use in programming, the wait for specification of the erasure block to be erased, or the state of executing the processing of commands, such as read and check.

When the RX210 receives a programming selection command, it enters the wait for the data to use in programming.

After the host has issued the programming selection command, the process continues with the address where programming is to start and then the data for programming. Setting of FFFF FFFFh as the address where programming is to start indicates the completion of programming, and the next transition is from the wait for the data to use in programming to the wait for programming and erasure commands.

When the RX210 receives an erasure selection command, it enters the wait for specification of the erasure block to be erased. After the host has issued the erasure selection command, the process continues with the number of the erasure block to be erased. Setting of FFh as the number of the erasure block indicates the completion of erasure, and the next transition is from the wait for specification of the erasure block to the wait for programming and erasure commands.

Since the user area, user boot area and data area are all completely erased during the interval between booting up in boot mode and transition to the wait for programming and erasure commands, execution of erasure is not necessary unless data newly programmed in boot mode is to be erased without a further reset.

Other than the programming and erasure commands, commands for execution in this state include those for checksum of the user area and user boot area, blank checking (to confirm erasure), reading from memory, and acquiring status information.

40.10.3 Automatic Adjustment of the Bit Rate

When the RX210 is booted up in boot mode, asynchronous transfer by the SCI is used to measure the periods at low level of consecutive bytes with value 00h that are sent from the host. While the period at low level is being measured, set the host's SCI transfer format to 8-bit data, one stop bit, no parity, and a transfer rate of 9,600 bps or 19,200 bps. The RX210 calculates the host's SCI bit rate from the measured periods at low level, adjusts its own bit rate accordingly, and then sends the value 00h to the host. If reception of the value 00h by the host is successful, the host responds by sending the value 55h to the RX210. If successful reception of 00h by the host is not possible, reboot the RX210 in boot mode, and then repeat the process of automatically adjusting the bit rate. If reception of the value 55h by the RX210 is successful, it responds by sending E6h to the host, and if successful reception of 55h by the RX210 is not possible, it responds by sending FFh to the host.

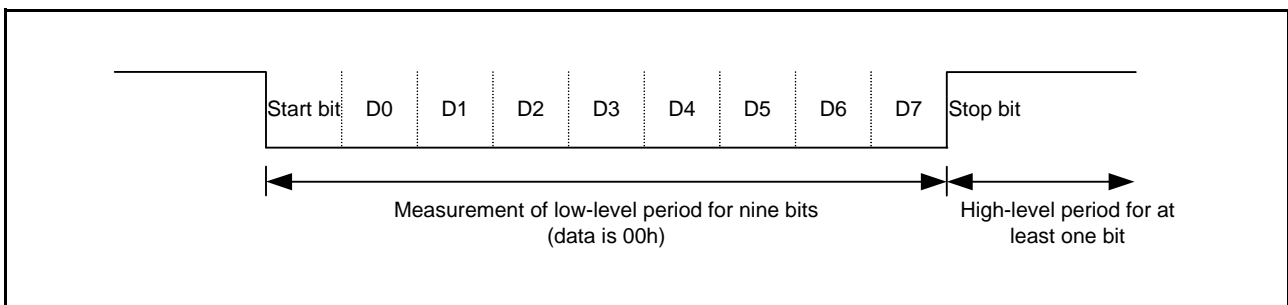


Figure 40.24 Transfer Format Used by SCI in Automatic Adjustment of Bit Rate

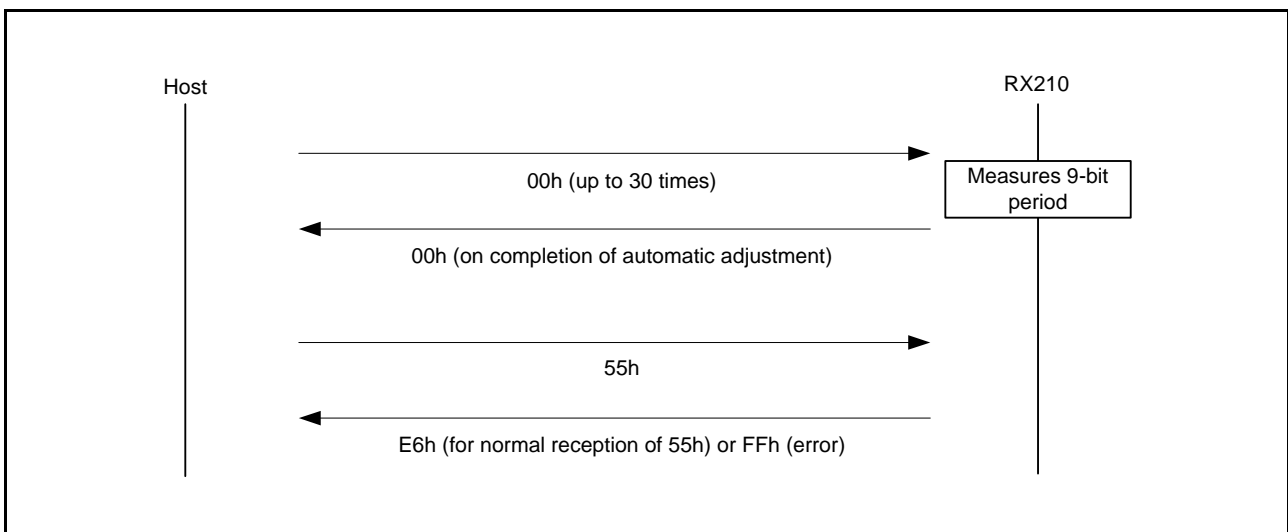


Figure 40.25 Sequence of Transfer between Host and RX210

Set the bit rate for SCI transfer on the host to satisfy either of the conditions Table 40.10.

Table 40.10 Conditions for Automatic Bit-Rate Adjustment

Bit Rate of SCI in Host
9,600 bps
19,200 bps

40.10.4 ID Code Protection (Boot Mode)

This function is used to prohibit reading/programming/erasure from the host such as the PC.

After automatic adjustment of the bit rate when booting up in boot mode, the ID code transmitted from the host and the control and ID codes written to the ROM are used to determine disabling or enabling of ID code protection. When ID code protection is enabled, the code sent from the host is compared with the control code and ID code in the ROM to determine whether they match, and reading/programming/erasure will be enabled only when the two match.

The control code and ID code in the ROM consists of four 32-bit words. Figure 40.26 shows the configuration of the control code and ID code. The ID code should be set in 32-bit units.

	31	24	23	16	15	8	7	0
FFFF FFA0h	Control code			ID code 1	ID code 2	ID code 3		
FFFF FFA4h	ID code 4			ID code 5	ID code 6	ID code 7		
FFFF FFA8h	ID code 8			ID code 9	ID code 10	ID code 11		
FFFF FFACh	ID code 12			ID code 13	ID code 14	ID code 15		

Figure 40.26 Configuration of Control Code and ID Code in ROM

(1) Control Code

The control code determines whether ID code protection is enabled or disabled and the method of authentication to use with the host. Table 40.11 lists how the control code determines the method of authentication

Table 40.11 Specifications for ID Code Protection

Control Code	ID Code	State of Protection	Operations at the Time of SCI Connection
45h	As desired	Protection enabled (authentication method 1)	Matching ID code: The command wait is entered. Non-matching ID code: The ID code protection wait is entered again. However, if a non-matching ID code is received three times in a row, all blocks are erased.
52h	Sequences other than 50h, 72h, 6Fh, 74h, 65h, 63h, 74h, FFh, ..., FFh	Protection enabled (authentication method 2)	Matching ID code: The host command wait is entered. Non-matching ID code: The ID code protection wait is entered again.
	50h, 72h, 6Fh, 74h, 65h, 63h, 74h, FFh, ..., FFh	Protection enabled (authentication method 3)	Always judged to be a non-matching ID code.
Other than above	—	Protection disabled	All blocks are erased.

(2) ID Code

The ID code can be set to any desired value. However, if the control code is 52h and the ID code is 50h, 72h, 6Fh, 74h, 65h, 63h, 74h, FFh, ..., FFh (from the ID code 1 field), there is no determination of matching and the ID code is always considered to be non-matching. Accordingly, reading, programming, and erasure from the host are prohibited.

(3) Program Example for ID Code Setting

The following assembler directives set up a control code of 45h and an ID code of 01h, 02h, 03h, 04h, 05h, 06h, 07h, 08h, 0Ah, 0Bh, 0Ch, 0Dh, 0Eh, 0Fh (from the ID code 1 field).

```
.SECTION ID_CODE,CODE  
.ORG 0FFFFFFA0h  
.LWORD 45010203h  
.LWORD 04050607h  
.LWORD 08090A0Bh  
.LWORD 0C0D0E0Fh
```

40.10.5 UB Code

For the UB code, see section 7.3, UB Code.

40.10.6 Inquiry/Selection Command Wait

Table 40.12 lists the commands available in the inquiry/selection command wait. The boot program status inquiry command can also be used in the programming/erasure command wait. The other commands can only be used in the inquiry/selection command wait.

Table 40.12 Inquiry/Selection Commands

Command Name	Function
Supported device inquiry	Inquires regarding the device codes and the series name
Device selection	Selects a device code
Clock mode inquiry	Inquires regarding the number of clock modes and their values
Clock mode selection	Notifies the selected clock mode
Multiplication ratio inquiry	Inquires regarding the number of clock types, the number of multiplication/division ratios, and the multiplication /division ratios
Operating frequency inquiry	Inquires regarding the number of clock types and the maximum and minimum operating frequencies
User boot area information inquiry	Inquires regarding the number of user boot areas and the start and end addresses
User area information inquiry	Inquires regarding the number of user areas and the start and end addresses
Erasure block information inquiry	Inquires regarding the number of blocks and the start and end addresses
Programming size inquiry	Inquires regarding the size of programming data
New bit rate selection	Modifies the bit rate of SCI communications between the host and RX210
Programming/erasure state transition	Enters the state for determining ID code protection
Boot program status inquiry	Inquires regarding the processing state

If the host has sent an undefined command, the RX210 returns a response indicating a command error in the format shown below. The command field holds the first byte of the undefined command sent from the host.

Error response

80h	Command
-----	---------

In the inquiry/selection command wait, send selection commands from the host in the order of device selection, clock mode selection, and new bit rate selection to set up the RX210 according to the responses to inquiry commands. Note that the supported device inquiry and clock mode inquiry commands are the only inquiry commands that can be sent before the clock mode selection command; other inquiry commands must not be issued before the clock mode selection command. If commands are issued in an incorrect order, the RX210 returns a response indicating a command error. Figure 40.27 shows an example of the procedure to use commands in the inquiry/selection command wait.

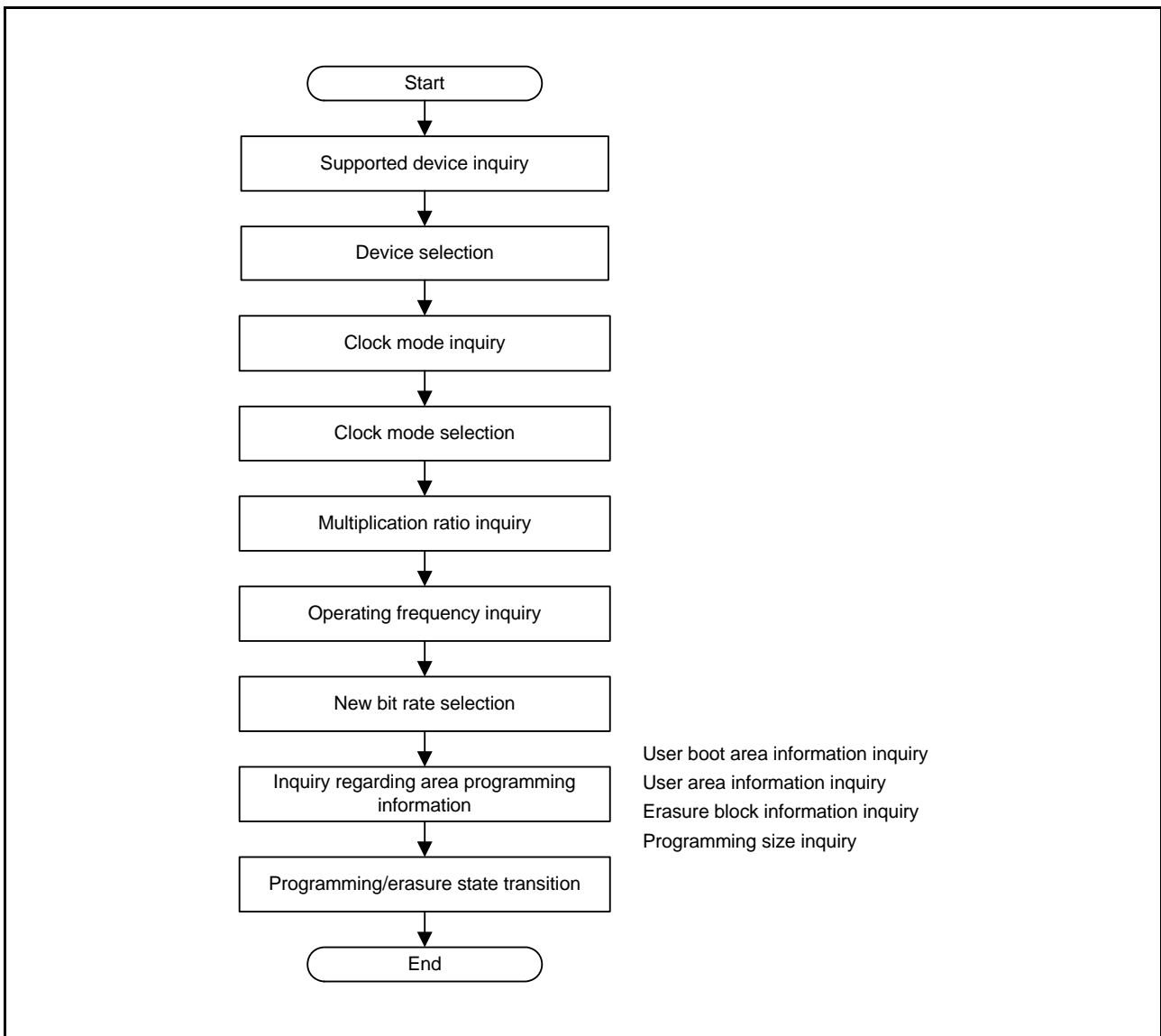


Figure 40.27 Example of Procedure to Use Inquiry/Selection Commands for User Area/User Boot Area

Each command is described in detail below. The “command” in the description indicates a command sent from the host to the RX210 and the “response” indicates a response sent from the RX210 to the host. The “checksum” is byte-size data calculated so that the sum of all bytes to be sent by the RX210 becomes 00h.

(1) Supported Device Inquiry

In response to a supported device inquiry command sent from the host, the RX210 returns the information concerning the devices supported by the boot program. If the supported device inquiry command comes after the host has selected a device, the RX210 only returns the information concerning the selected device. In response to supported device inquiry commands, the RX210 transmits two sets of device information in turn, one in little endian and the other in big endian.

Command

20h

Response	30h	Size	Device count	
	Character count	Device code (little endian is specified)		Series name
	Character count	Device code (big endian is specified)		Series name
	SUM			

Size (1 byte): Total number of bytes in the device count, character count, device code, and series name fields
 Device count (1 byte): Number of device types supported by the boot program
 Character count (1 byte): Number of characters included in the device code and series name fields
 Device code (4 bytes): Chip recognition code
 Series name (n bytes): ASCII code for the supported device
 SUM (1 byte): Checksum

(2) Device Selection

In response to a device selection command sent from the host, the RX210 checks if the selected device is supported. When the selected device is supported, the RX210 returns a response (06h). If the selected device is not supported or the sent command is illegal, the RX210 returns an error response (90h).

Select the device code with the endian specification from the two sets of device information transmitted in response to a supported device inquiry command in accord with the written data.

Command

10h	Size	Device code	SUM
-----	------	-------------	-----

Response

06h

Error response

90h	Error
-----	-------

Size (1 byte): Number of characters in the device code field (fixed at 4)
 Device code (4 bytes): ASCII code for the series name of the chip (same code as the response to the supported device inquiry command)
 SUM (1 byte): Checksum
 Error (1 byte): Error code
 11h: Checksum error (illegal command)
 21h: Device code error

(3) Clock Mode Inquiry

In response to a clock mode inquiry command sent from the host, the RX210 returns the supported clock modes. If the clock mode inquiry command comes after the host has selected a clock mode, the RX210 only returns the information concerning the selected clock mode.

Command	21h	
Response	31h	Size
	Mode	
	SUM	

Size (1 byte): Total number of bytes in the mode count and mode fields
 Mode (1 byte): Supported clock mode (for example, 01h indicates clock mode 1)
 SUM (1 byte): Checksum

(4) Clock Mode Selection

In response to a clock mode selection command sent from the host, the RX210 checks if the selected clock mode is supported. When the selected mode is supported, the RX210 specifies this clock mode for use and returns a response (06h). If the selected mode is not supported or the sent command is illegal, the RX210 returns an error response (91h). Be sure to issue a clock mode selection command only after issuing a device selection command. Even when 00h or 01h has been returned as the number of supported clock modes in response to a clock mode inquiry command, issue a clock mode selection command to specify the clock mode that has been returned as the result of the inquiry.

Command	11h	Size	Mode	SUM
Response	06h			
Error response	91h	Error		

Size (1 byte): Number of characters in the mode field (fixed at 1)
 Mode (1 byte): Clock mode (same mode as the response to the clock mode inquiry command)
 SUM (1 byte): Checksum
 Error (1 byte): Error code
 11h: Checksum error (illegal command)
 21h: Clock mode error

(5) Multiplication Ratio Inquiry

In response to a multiplication ratio inquiry command sent from the host, the RX210 returns the clock types, the number of multiplication/division ratios, and the multiplication division ratios supported.

Command	22h			
Response	32h	Size	Clock type count	
	Multiplication ratio count	Multiplication ratio	Multiplication ratio	...
	Multiplication ratio count	Multiplication ratio	Multiplication ratio	...
	SUM			

Size (1 byte):	Total number of bytes in the clock type count, multiplication ratio count, and multiplication ratio fields
Clock type count (1 byte):	Number of clock types (for example, 02h indicates two clock types; that is, a system clock and a peripheral clock)
Multiplication ratio count (1 byte):	Number of supported multiplication/division ratios (for example, 04h indicates that four multiplication ratios are supported for the system clock (multiplied by 1, multiplied by 2, multiplied by 4, and multiplied by 8))
Multiplication ratio (1 byte):	A positive value indicates a multiplication ratio (for example, 04h = 4 = multiplied by 4) A negative value indicates a division ratio (for example, FEh = -2 = divided by 2)
SUM (1 byte):	Checksum

(6) Operating Frequency Inquiry

In response to an operating frequency inquiry command sent from the host, the RX210 returns the minimum and maximum operating frequencies for each clock.

Command	23h	
Response	33h	Clock type count
	Size	
	Minimum frequency	Maximum frequency
	Minimum frequency	Maximum frequency
SUM		

Size (1 byte):	Total number of bytes in the clock type count, minimum frequency, and maximum frequency fields
Clock type count (1 byte):	Number of clock types (for example, 02h indicates two clock types; that is, a system clock and a peripheral clock)
Minimum frequency (2 bytes):	Minimum value of the operating frequency (for example, 07D0h indicates 20.00 MHz). This value should be calculated by multiplying the frequency value (MHz) to two decimal places by 100.
Maximum frequency (2 bytes):	Maximum value of the operating frequency This value is represented in the same format as the minimum frequency
SUM (1 byte):	Checksum

(7) User Boot Area Information Inquiry

In response to a user boot area information inquiry command sent from the host, the RX210 returns the number of user boot areas and their addresses.

Command	24h		
Response	34h	Size	Area count
	Area start address		
	Area end address		
	SUM		

Size (1 byte): Total number of bytes in the area count, area start address, and area end address fields

Area count (1 byte): Number of user boot areas (consecutive areas are counted as one area)

Area start address (4 bytes): Start address of a user boot area

Area end address (4 bytes): End address of a user boot area

SUM (1 byte): Checksum

(8) User Area Information Inquiry

In response to a user area information inquiry command sent from the host, the RX210 returns the number of user areas and their addresses.

Command	25h		
Response	35h	Size	Area count
	Area start address		
	Area end address		
	SUM		

Size (1 byte): Total number of bytes in the area count, area start address, and area end address fields

Area count (1 byte): Number of user areas (consecutive areas are counted as one area)

Area start address (4 bytes): Start address of a user area

Area end address (4 bytes): End address of a user area

SUM (1 byte): Checksum

(9) Erasure Block Information Inquiry

In response to an erasure block information inquiry command sent from the host, the RX210 returns the number of total erasure blocks in the user area and data area, and their addresses.

Command	26h		
Response	36h	Size	Block count
	Block start address		
	Block end address		
	Block start address		
	Block end address		
	...		
	Block start address		
	Block end address		
	SUM		

- Size (2 bytes): Total number of bytes in the block count, block start address, and block end address fields
- Block count (1 byte): Number of erasure blocks in the user area
- Block start address (4 bytes): Start address of an erasure block
- Block end address (4 bytes): End address of an erasure block
- SUM (1 byte): Checksum

(10) Programming Size Inquiry

In response to a programming size inquiry command sent from the host, the RX210 returns the programming size.

Command	27h			
Response	37h	Size	Programming size	SUM

Size (1 byte): Number of characters included in the programming size field (fixed at 2)
 Programming size (2 bytes): Programming unit (bytes)
 SUM (1 byte): Checksum

(11) New Bit Rate Selection

In response to a new bit rate selection command sent from the host, the RX210 checks if the on-chip SCI can be set to the selected new bit rate. When the SCI can be set to the new bit rate, the RX210 returns a response (06h) and sets the SCI to the new bit rate. If the SCI cannot be set to the new bit rate or the sent command is illegal, the RX210 returns an error response (BFh). Upon reception of response 06h, the host waits for a one-bit period in the previous bit rate with which the new bit rate selection command has been sent, and then sets the host's bit rate to the new one. After that, the host sends confirmation data (06h) in the new bit rate, and the RX210 returns a response (06h) for the confirmation data. Be sure to issue a new bit rate selection command only after a clock mode selection command.

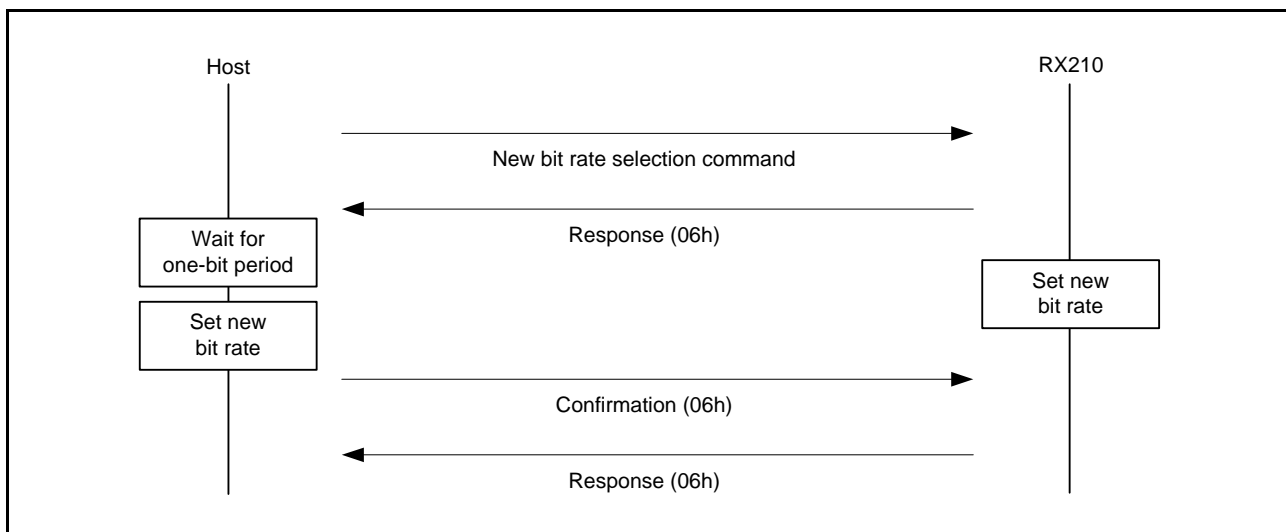


Figure 40.28 New Bit Rate Selection Sequence

Command	3Fh	Size	Bit rate		Input frequency
	Clock type count	Multiplication ratio 1	Multiplication ratio 2		
	SUM				
Response	06h				
Error response	BFh	Error			
Confirmation	06h				
Response	06h				

Size (1 byte):	Total number of bytes in the bit rate, input frequency, clock type count, and multiplication ratio fields
Bit rate (2 bytes):	New bit rate (for example, 00C0h indicates 19200 bps) 1/100 of the new bit rate value should be specified.
Input frequency (2 bytes):	Frequency input to the RX210 (for example, 04E2h indicates 12.50 MHz) This value should be calculated by multiplying the input frequency value to two decimal places by 100.
Clock type count (1 byte):	Number of clock types (for example, 02h indicates two clock types; that is, a system clock and a peripheral clock)
Multiplication ratio 1 (1 byte):	Multiplication/division ratio of the input frequency to obtain the system clock (ICLK) A positive value indicates a multiplication ratio (for example, 04h = 4 = multiplied by 4) A negative value indicates a division ratio (for example, FEh = -2 = divided by 2)
Multiplication ratio 2 (1 byte):	Multiplication/division ratio of the input frequency to obtain the peripheral clock (PCLK) This value is represented in the same format as multiplication ratio 1
SUM (1 byte):	Checksum
Error:	Error code 11h: Checksum error 24h: Bit rate selection error 25h: Input frequency error 26h: Multiplication ratio error 27h: Operating frequency error

- Bit rate selection error

A bit rate selection error occurs when the bit rate selected through a new bit rate selection command cannot be set for the SCI of the RX210 within an error of 4%. The bit rate error can be obtained by the following equation from the bit rate (B) selected through a new bit rate selection command, the input frequency (f_{EX}), multiplication ratio 2 ($M_{P\phi}$), the bit rate register (BRR) setting (N) in the SCI, and the CKS[1:0] bit value (n) in the serial mode register (SMR).

$$\text{Error (\%)} = \left\{ \frac{f_{EX} \times M_{P\phi} \times 10^6}{B \times 64 \times 2^{2n-1} \times (N + 1)} - 1 \right\} \times 100$$

- Input frequency error

An input frequency error occurs when the input frequency specified through a new bit rate selection command is outside the range from the minimum to maximum input frequencies for the clock mode selected through a clock mode selection command.

- Multiplication ratio error

A multiplication ratio error occurs when the multiplication ratio specified through a new bit rate selection command does not match the clock mode selected through a clock mode selection command. To check the selectable multiplication ratios, issue a multiplication ratio inquiry command.

- Operating frequency error

An operating frequency error occurs when the RX210 cannot operate at the operating frequencies selected through a new bit rate selection command. The RX210 calculates the operating frequencies from the input frequency and multiplication ratios specified through a new bit rate selection command and checks if each calculated frequency is within the range from the minimum to maximum frequencies for the respective clock. To check the minimum and maximum operating frequencies for each clock, issue an operating frequency inquiry command.

(12) Programming/Erase State Transition

In response to a programming/erase state transition command sent from the host, the RX210 determines whether ID code protection is enabled or disabled using the control code and ID code written in the ROM. When ID code protection is enabled, the RX210 returns a response (16h) and waits for the ID code. When ID code protection is disabled, the RX210 erases the entire area of each of the user area, user boot area and data area. After completing entire erasure, the RX210 returns a response (26h) and waits for a programming/erase command. If the RX210 has failed to complete erasure due to an error, it returns an error response (C0h, 51h).

Do not issue a programming/erase state transition command before the device selection, clock mode selection, and new bit rate selection commands.

Command	40h	
Response	ACK	
Error response	C0h	51h

ACK (1 byte): ACK code
 26h: ID code protection is disabled
 16h: ID code protection is enabled

(13) Boot Program Status Inquiry

In response to a boot program status inquiry command sent from the host, the RX210 returns its current status. The boot program status inquiry command can be issued in both the inquiry/selection command wait and programming/erasure command wait.

Command	4Fh				
Response	5Fh	Size	Status	Error	SUM

Size (1 byte): Total number of bytes in the status and error fields (fixed at 2)

Status (1 byte): Current status of RX210 (see Table 40.13)

Error (1 byte): Error status of RX210 (see Table 40.14)

SUM (1 byte): Checksum

Table 40.13 Status Code

Code	Description
11h	Waiting for device selection
12h	Waiting for clock mode selection
13h	Waiting for bit rate selection
1Fh	Waiting for transition to programming/erasure command wait (bit rate has been selected)
31h	Erasing the user area/user boot area
3Fh	Waiting for a programming/erasure command
4Fh	Waiting for reception of programming data
5Fh	Waiting for erasure block specification

Table 40.14 Error Code

Code	Description
00h	No error
11h	Checksum error
21h	Incorrect device code error
22h	Incorrect clock mode error
24h	Bit rate selection error
25h	Input frequency error
26h	Multiplication ratio error
27h	Operating frequency error
29h	Block number error
2Ah	Address error
2Bh	Data size error
51h	Erasure error
52h	Incomplete erasure error
53h	Programming error
54h	Selection error
80h	Command error
FFh	Bit rate adjustment confirmation error

40.10.7 ID Code Wait State

Table 40.15 shows the command available in the ID code wait state.

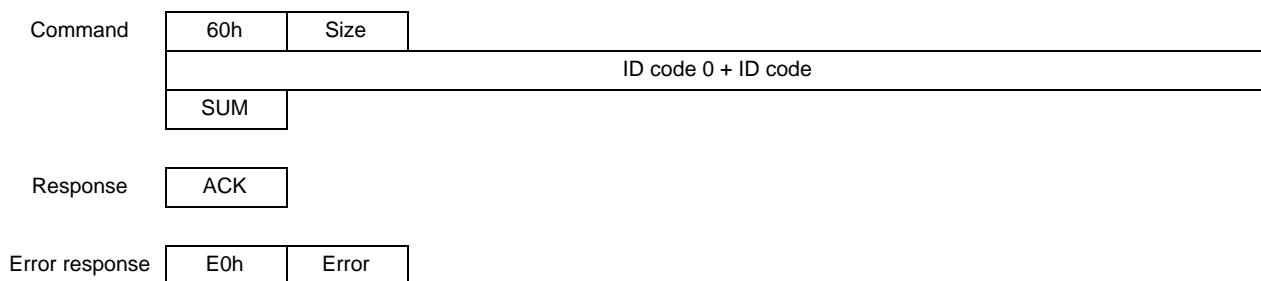
Table 40.15 ID Code Check Command

Command Name	Function
ID code check	Performs the ID code check

If the host has sent an undefined command, the RX210 returns a response indicating a command error. For the contents of a command error, see section 40.10.6, Inquiry/Selection Command Wait.

(1) ID Code Check

In response to an ID code check command sent from the host, the RX210 compares the code sent from the host with the control code and ID code in the ROM and returns the result.



- Size (1 byte): Number of bytes in the ID code field (fixed at 16)
- ID code (16 bytes): ID code 0 (1 byte) + ID code (15 bytes)
- SUM (1 byte): Checksum
- ACK (1 byte): ACK code
26h: Returns the response for a programming/erasure state transition command
- Error (1 byte): Error code
11h: Checksum error
61h: ID code mismatch
63h: ID code mismatch (erasure error)
An error has occurred during erasure triggered by an ID code mismatch.

40.10.8 Programming/Erasure Command Wait

Table 40.16 lists the commands available in the programming/erasure command wait.

Table 40.16 Programming/Erasure Commands

Command Name	Function
User boot area programming selection	Selects the program for user boot area programming
User/data area programming selection	Selects the program for user/data area programming
256-byte programming	Programs 256 bytes of data
Erasure selection	Selects the erasure program
Block erase	Erases block data
Memory read	Reads data from memory
User boot area checksum	Performs checksum verification for the user boot area
User area checksum	Performs checksum verification for the user area
User boot area blank check	Checks whether the user boot area is blank
User area blank check	Checks whether the user area is blank
Read lock bit status	Reads from the lock bit
Lock bit program	Writes to the lock bit
Lock bit enable	Enables the lock bit protection
Lock bit disable	Disables the lock bit protection
Boot program status inquiry	Inquires regarding the state of the RX210

If the host has sent an undefined command, the RX210 returns a response indicating a command error. For the contents of a command error, see section 40.10.6, Inquiry/Selection Command Wait.

To program the ROM, issue a programming selection command (user/data area programming selection, user boot area programming selection) and then a 256-byte programming command from the host. Upon reception of a programming selection command, the RX210 enters the programming data wait state (see section 40.10.2, State Transitions in Boot Mode). In response to a 256-byte programming command sent from the host in this state, the RX210 starts programming the ROM. When the host sends a 256-byte programming command specifying FFFF FFFFh as the programming start address, the RX210 detects it as the end of programming and enters the programming/erasure command wait.

To erase the ROM, issue an erasure selection command and then a block erase command from the host. Upon reception of an erasure selection command, the RX210 enters the erasure block selection wait state (see section 40.10.2, State Transitions in Boot Mode). In response to a block erase command sent from the host in this state, the RX210 erases the specified block in the ROM. When the host sends a block erase command specifying FFh as the block number, the RX210 detects it as the end of erasure and enters the programming/erasure command wait.

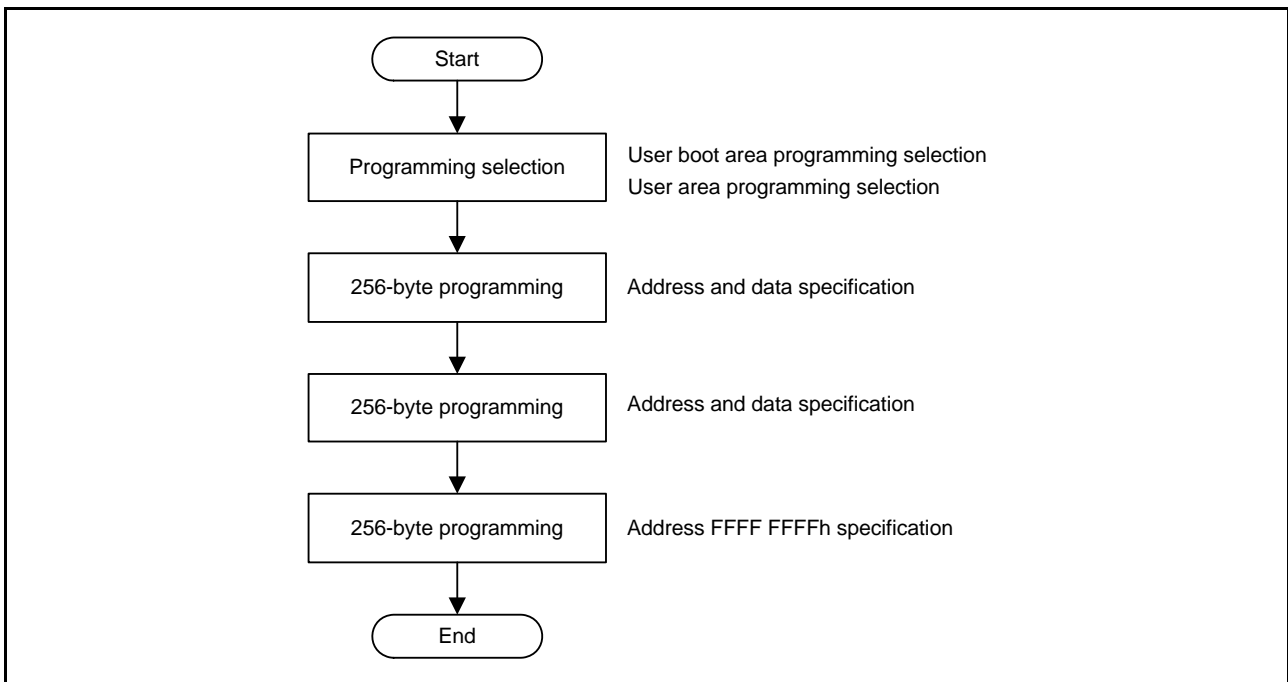


Figure 40.29 Procedure for ROM Programming in Boot Mode

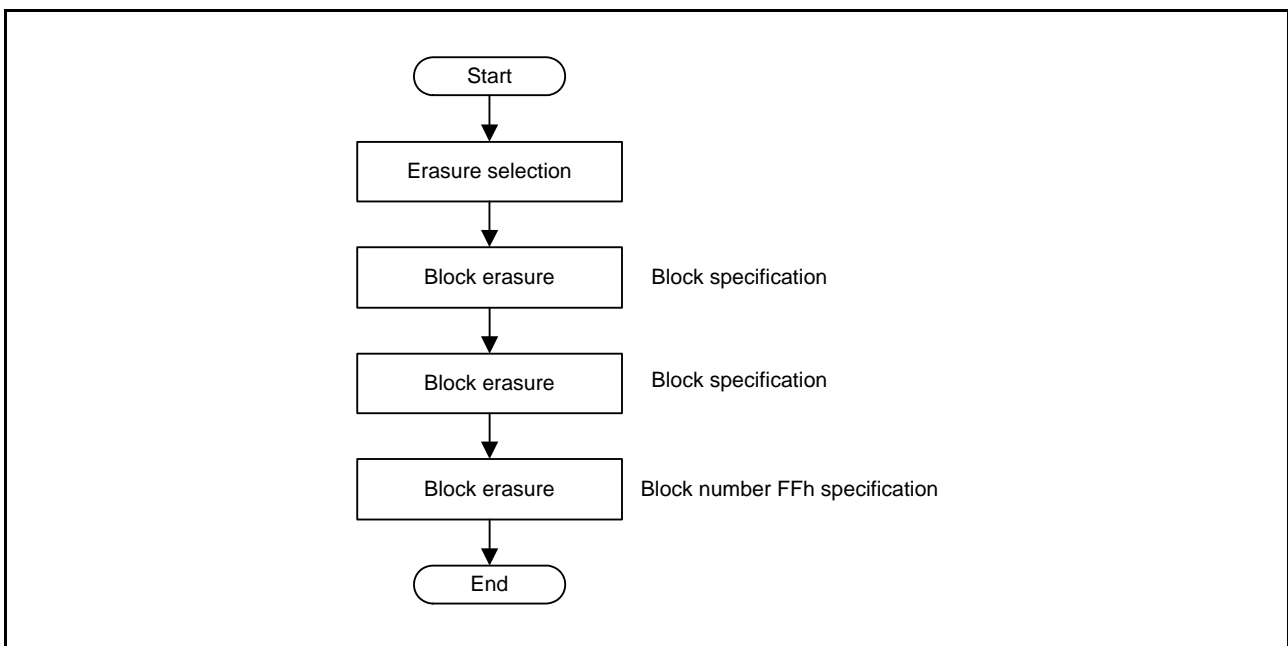


Figure 40.30 Procedure for ROM Erasure in Boot Mode

Each command is described in detail below. The “command” in the description indicates a command sent from the host to the RX210 and the “response” indicates a response sent from the RX210 to the host. The “checksum” is byte-size data calculated so that the sum of all bytes to be sent by the RX210 becomes 00h.

(1) User Boot Area Programming Selection

In response to a user boot area programming selection command sent from the host, the RX210 selects the program for user boot area programming and waits for programming data.

Command	42h
Response	06h

(2) User/Data Area Programming Selection

In response to a user/data area programming selection command sent from the host, the RX210 selects the program for user area programming and waits for programming data.

Command	43h
Response	06h

(3) 256-Byte Programming

In response to a 256-byte programming command sent from the host, the RX210 programs the ROM. After completing ROM programming successfully, the RX210 returns a response (06h). If an error has occurred during ROM programming, the RX210 returns an error response (D0h).

Command	50h	Programming address		
	Data	Data	...	Data
	SUM			
Response	06h			
Error response	D0h	Error		

Programming address (4 bytes):	Target address of programming To program the ROM, a 256-byte boundary address should be specified. To terminate programming, FFFF FFFFh should be specified.
Data (256 bytes):	Programming data FFh should be specified for the bytes that do not need to be programmed. When terminating programming, no data needs to be sent (only the programming address and SUM should be sent in that order).
SUM (1 byte):	Checksum
Error (1 byte):	Error code 11h: Checksum error 2Ah: Address error (the specified address is not in the target area) 53h: Programming cannot be done due to a programming error

(4) Erasure Selection

In response to an erasure selection command sent from the host, the RX210 selects the erasure program and waits for erasure block specification.

Command	48h
Response	06h

(5) Block Erasure

In response to a block erase command sent from the host, the RX210 erases the ROM. After completing ROM erasure successfully, the RX210 returns a response (06h). If an error has occurred during ROM erasure, the RX210 returns an error response (D8h).

Command	58h	Size	Block	SUM
Response	06h			
Error response	D8h	Error		

Size (1 byte): Number of bytes in the block specification field (fixed at 1)

Block (1 byte): Block number whose data is to be erased
To terminate erasure, FFh should be specified.

SUM (1 byte): Checksum

Error (1 byte): Error code
11h: Checksum error
29h: Block number error (an incorrect block number is specified)
51h: Erasure cannot be done due to an erasure error

(6) Memory Read

In response to a memory read command sent from the host, the RX210 reads data from the ROM. After completing ROM reading successfully, the RX210 returns the data stored in the address specified by the memory read command. If the RX210 has failed to read the ROM, the RX210 returns an error response (D2h).

Command	52h	Size	Area	Read start address	
	Reading size			SUM	

Response	52h	Reading size			
	Data	Data	...	Data	
	SUM				

Error response	D2h	Error
----------------	-----	-------

- Size (1 byte): Total number of bytes in the area, read start address, and reading size fields
- Area (1 byte): Target area to be read
00h: User boot area
01h: User area
- Read start address (4 bytes): Start address of the area to be read
- Reading size (4 bytes): Size of data to be read (bytes)
- SUM (1 byte): Checksum
- Data (1 byte): Data read from the ROM
- Error (1 byte): Error code
11h: Checksum error
2Ah: Address error
 - The value specified for area selection is neither 00h nor 01h.
 - The specified read start address is outside the selected area.
- 2Bh: Data size error
 - 00h is specified for the reading size.
 - The reading size is larger than the area.
 - The end address calculated from the read start address and the reading size is outside the selected area.

(7) User Boot Area Checksum

In response to a user boot area checksum command sent from the host, the RX210 sums the user boot area data in byte units and returns the result (checksum).

Command

4Ah

Response

5Ah	Size	Area checksum	SUM
-----	------	---------------	-----

Size (1 byte): Number of bytes in the area checksum field (fixed at 4)

Area checksum (4 bytes): Checksum of the user boot area data

SUM (1 byte): Checksum (for the response data)

(8) User Area Checksum

In response to a user area checksum command sent from the host, the RX210 sums the user area data in byte units and returns the result (checksum).

Command

4Bh

Response

5Bh	Size	Area checksum	SUM
-----	------	---------------	-----

Size (1 byte): Number of bytes in the area checksum field (fixed at 4)

Area checksum (4 bytes): Checksum of the user area data

The user area also stores the key code for debugging function authentication. Note that the checksum includes this key code value.

SUM (1 byte): Checksum (for the response data)

(9) User Boot Area Blank Check

In response to a user boot area blank check command sent from the host, the RX210 checks whether the user boot area is completely erased. When the user boot area is completely erased, the RX210 returns a response (06h). If the user boot area has an unerased area, the RX210 returns an error response (CCh, 52h).

Command

4Ch

Response

06h

Error response

CCh	52h
-----	-----

(10) User Area Blank Check

In response to a user area blank check command sent from the host, the RX210 checks whether the user area is completely erased. When the user area is completely erased, the RX210 returns a response (06h). If the user area has an unerased area, the RX210 returns an error response (CDh, 52h).

Command

4Dh

Response

06h

Error response

CDh	52h
-----	-----

(11) Read Lock Bit Status

In response to a read lock bit status command sent from the host, the RX210 reads data from the lock bit. After completing the lock bit reading successfully, the RX210 returns the data stored in the address specified by the read lock bit status command. If the RX210 has failed to read the lock bit, the RX210 returns an error response (F1h).

Command	71h	Size	Area	A15 to A8	A23 to A16	A31 to A24	SUM
---------	-----	------	------	-----------	------------	------------	-----

A15 to A8 (1 byte):The last address in the specified block (bits 15 to 8)
 A23 to A16 (1 byte):The last address in the specified block (bits 23 to 16)
 A31 to A24 (1 byte):The last address in the specified block (bits 31 to 24)

Response

Status

Error response

F1h	Error
-----	-------

- Size (1 byte): Total number of bytes in the area, A15 to A8, A23 to A16, and A31 to A24
- Area (1 byte): Target area to be read
01h: User area
- A15 to A8 (1 byte) A15 to A8 of the last address in the specified block (bits 15 to 8)
- A23 to A16 (1 byte): A23 to A16 of the last address in the specified block (bits 23 to 16)
- A31 to A24 (1 byte): A31 to A24 of the last address in the specified block (bits 31 to 24)
- SUM (1 byte): Checksum
- Status (1 byte): Bit 6 locked at 0
Bit 6 unlocked at 1
- Error (1 byte): Error code
11h: Checksum error
2Ah: Address error (the specified address is not in the target area)

(12) Lock Bit Program

In response to a lock bit program command sent from the host, the RX210 writes to a lock bit and locks the specified block. After completing the lock bit blocking successfully, the RX210 returns a response (06h). If the RX210 has failed to lock, the RX210 returns an error response (F7h).

Command	77h	Size	Area	Third highest order address	Second highest order address	Highest order address	SUM
Response	06h						
Error response	F7h	Error					

Size (1 byte):	Total number of bytes in the area, third highest order address, second highest order address, and highest order address fields (fixed at 4 in the RX210)
Area (1 byte):	Target area to be locked 01h: User area
Third highest order address (1 byte):	Third highest order address at the specified block's end address (8 to 15 bits)
Second highest order address (1 byte):	Second highest order address at the specified block's end address (16 to 23 bits)
Highest order address (1 byte):	Highest order address at the specified block's end address (24 to 31 bits)
SUM (1 byte):	Checksum
Error (1 byte):	Error code 11h: Checksum error 2Ah: Address error (the specified address is not in the target area) 53h: Lock cannot be done due to a programming error

(13) Lock Bit Enable

In response to a lock bit enable command sent from the host, the RX210 enables a lock bit.

Command	7Ah
Response	06h

(14) Lock Bit Disable

In response to a lock bit disable command sent from the host, the RX210 disables a lock bit.

Command	75h
Response	06h

(15) Boot Program Status Inquiry

For details, refer to section 40.10.6, Inquiry/Selection Command Wait.

40.11 ID Code Protection on Connection of the On-Chip Debugger

This function is used to prohibit connection with the on-chip debugger. When connecting an on-chip debugger, the control code and ID code that have been written to the ROM are used to determine whether ID code protection on connection of the on-chip debugger is enabled or disabled and to judge ID code protection on connection of the on-chip debugger. When the ID code protection is enabled, the code sent from the on-chip debugger is compared with the control code and ID code in the ROM to determine whether they match. If they match, connection with the on-chip debugger is allowed. If they do not match, the on-chip debugger cannot be connected. However, if the control code is 52h and the ID code is 50h, 72h, 6Fh, 74h, 65h, 63h, and 74h (from the first to the seventh field of the ID code), this is always considered to be a non-match, judgment of the ID code does not proceed, and connection of the on-chip debugger is prohibited. Furthermore, if all bytes of the control code and ID code have the value FFh, there is no determination of matching, the ID code is always considered to match, and connection of the on-chip debugger is allowed. See Figure 40.26 for the configuration of ID codes in flash memory.

Table 40.17 Specifications for ID Code Protection on Connection of the On-Chip Debugger

Control Code	ID Code	State of Protection	Operations at On-Chip Debugger Connection
FFh	FFh, ..., FFh (all bytes FFh)	Protection disabled	The ID code always matches and connection to the on-chip debugger is permitted.
52h	50h, 72h, 6Fh, 74h, 65h, 63h, 74h	Protection enabled	The ID code is always non-matching and connection to the on-chip debugger is prohibited.
Other than above	Other than above	Protection enabled	Matching ID code: Authentication of the on-chip debugger is ended and connection with the on-chip debugger is permitted. Non-matching ID code: The ID code protection waiting state is entered again.

40.12 ROM Code Protection

ROM code protection is a function to restrict the access to the flash memory from a PROM programmer. The ROM code in flash memory is a 32-bit code. Figure 40.31 shows the configuration of the ROM code. Set the ROM code in 32-bit units.

Erase the EB00 block of the user area that contains the ROM code to disable the ROM code protection. When the ROM code is 0000 0000h, erase in boot mode or by user program.

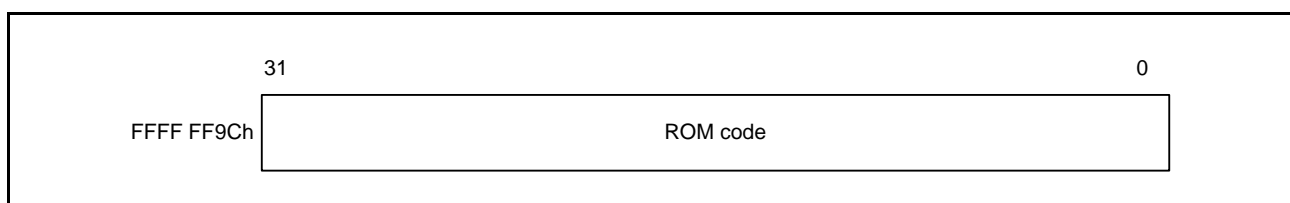


Figure 40.31 Configuration of ROM Code

Table 40.18 Specifications for ROM Code Protection

ROM Code	State of Protection	Operations at the Time of Connection with the PROM Programmer
0000 0000h	Protection enabled (ROM code protection 1)	Accesses (read, erase, and program) to the user area and the user boot area are denied.
0000 0001h	Protection enabled (ROM code protection 2)	Read to the user area and the user boot area is denied. Erase and program to the user area and the user boot area are accepted.
Other than above	Protection disabled	Accesses (read, erase, and program) to the user area and the user boot area are accepted.

40.13 Usage Notes

(1) Areas where Programming or Erasure is Suspended

Data in areas where programming or erasure is suspended are undefined. To avoid malfunctions due to the reading of undefined data, prevent the reading of data and execution of code from areas where programming or erasure is currently suspended.

(2) Suspending Programming or Erasure

If you use the programming/erasure suspension command to suspend the processing of programming or erasure, be sure to use the resume command so that the processing is completed.

(3) Prohibition of Reprogramming

Two or more programming operations cannot be performed for the same address range. If an address range that has already been programmed is to be programmed again, be sure to erase the area in advance of the programming.

(4) Reset during Programming or Erasure

In cases where the input of a reset on the RES# pin during programming or erasure is not avoidable, only deassert the reset signal after at least the reset input period (tRESWF; see section 42, Electrical Characteristics) has elapsed. When the FCU is reset by using the FRESETR.FRESET bit during programming or erasure, make sure that the reset state is maintained over tFCUR (see section 42, Electrical Characteristics). Do not attempt to read the ROM during the FCU reset.

Maintaining the periods described above is not relevant to usage in the case of WDT, IWDT, or software reset during programming or erasure.

(5) Prohibition of Non-Maskable Interrupts during Programming or Erasure

If a non-maskable interrupt (an NMI pin, oscillation stop detection, WDT underflow/refresh error, IWDT underflow/refresh error, voltage monitoring 1, or voltage monitoring 2 interrupt) is generated during programming or erasure, the vector read is undefined because it is fetched from the ROM. Therefore, avoid the generation of non-maskable interrupts during programming and erasure of the ROM (this is only applicable in the case of the ROM).

(6) Interrupt Vector Assignment During Programming or Erasure

The generation of interrupts during programming or erasure may lead to the fetching of vectors from the ROM. To prevent access to the ROM area due to the generation of interrupts, set the interrupt table register (INTB) of the CPU so that the destination for the fetching of interrupt vector is an area outside the ROM.

(7) Programming/Erasure in Low-Speed Operating Modes 1 and 2

Do not program or erase the flash memory when low-speed operating mode 1 or 2 is selected with the operating power control register (OPCCR).

(8) Programming/Erasure Abnormal End

If, during programming or erasure, the operating voltage swings above the allowed range, reset, the FCU is reset by using the FRESETR.FRESET bit, the command-locked state is entered due to the detection of an error, or one of the prohibitions under item (9) below is violated, and programming or erasure is not completed normally as a consequence, the value of the lock bit may become 0 (corresponding to the protected state). In this case, erase the lock bit by issuing the block erase command with the FPROTR.FPROTCN bit set to 1. After that, repeat the incomplete programming so that it is completed normally.

(9) Actions Prohibited during Programming and Erasure

Since they may damage the flash memory, avoid all of the actions, events, and operations listed below during programming and erasure.

- Applying a power-supply voltage beyond the allowed range to the RX210
- Changing the values of the FWEPROR.FLWE[1:0] bits
- Changing the operating modes by changing the setting of the SYSCR0.ROME bit
- Changing the values of the OPCCR.OPCM[2:0] bits
- Changing the clock source select bits in the SCKCR3 register
- Setting the ELSR28 register for switching to the LOCO as the clock source and the generation of any event that triggers this
- Enabling the sleep mode return clock source switching function by setting the RSTCKCR.RSTCKEN bit
- Changing the division ratio of the FlashIF clock (FCLK)
- Setting the PCKAR for a different frequency from that of FCLK
- Making a transition to all-module clock stop mode, software standby mode, or deep software standby mode

41. E2 DataFlash Memory (Flash Memory for Data Storage)

The RX210 Group has an 8-Kbyte flash memory for storing data (E2 DataFlash).

This section covers the E2 DataFlash memory. For the ROM, see section 40, ROM (Flash Memory for Code Storage).

41.1 Overview

Table 41.1 lists the specifications of the E2 DataFlash memory, and Figure 41.1 is a block diagram of the ROM, E2 DataFlash memory, and related modules.

Table 41.1 Specifications of E2 DataFlash Memory

Item	Description
Memory capacity	Data area: 8 Kbytes
Reading via the peripheral bus	A read operation takes four cycles of FCLK in words or bytes
Programming/erasing method	<ul style="list-style-type: none"> The chip incorporates a dedicated sequencer (FCU) for programming of the ROM and E2 DataFlash. Programming and erasing the ROM and E2 DataFlash are handled by issuing commands to the FCU.
BGO (background operation)	<ul style="list-style-type: none"> Execution of program code from the ROM is possible while the E2 DataFlash memory is being programmed or erased. The CPU is able to execute program code from areas other than the ROM or E2 DataFlash while the ROM is being programmed or erased.
Suspension and resumption	<ul style="list-style-type: none"> The CPU is able to execute program code from the E2 DataFlash during suspension of programming or erasure. Programming and erasure of the E2 DataFlash can be restarted (resumed) after suspension.
Units of programming and erasure	<ul style="list-style-type: none"> Unit of programming for the data area: 2 or 8 bytes Unit of erasure for the data area: 128 bytes
Blank checking function	<ul style="list-style-type: none"> The blank checking command can be executed to check the erasure state of E2 DataFlash. The size of the area to be blank-checked is 2 bytes or 2 Kbytes.
On-board programming (three types)	<p>Reprogramming in boot mode</p> <ul style="list-style-type: none"> The clock synchronous serial interface (SCI1) is used. The bit rate is automatically adjusted. The user boot area is also programmable. <p>Reprogramming in user boot mode</p> <ul style="list-style-type: none"> The user-specific boot program can be programmed. <p>Reprogramming using the ROM reprogramming routine in the user program</p> <ul style="list-style-type: none"> ROM is reprogrammable without resetting the system.
Protection	<p>Software-controlled protection</p> <ul style="list-style-type: none"> The FENTRYR.FENTRYD bit, FWEPROR.FLWE[1:0] bits, DFLRE0, and DFLWE0 register can be used to prevent unintentional programming or reading. Protection with the DFLRE0 and DFLWE0 registers is performed on a 2-Kbyte basis. <p>Command-locked state</p> <p>Prevention of further programming or erasure after the detection of abnormal operations during programming or erasure</p>
Programming/erasure time, number of programming	See section 42, Electrical Characteristics.

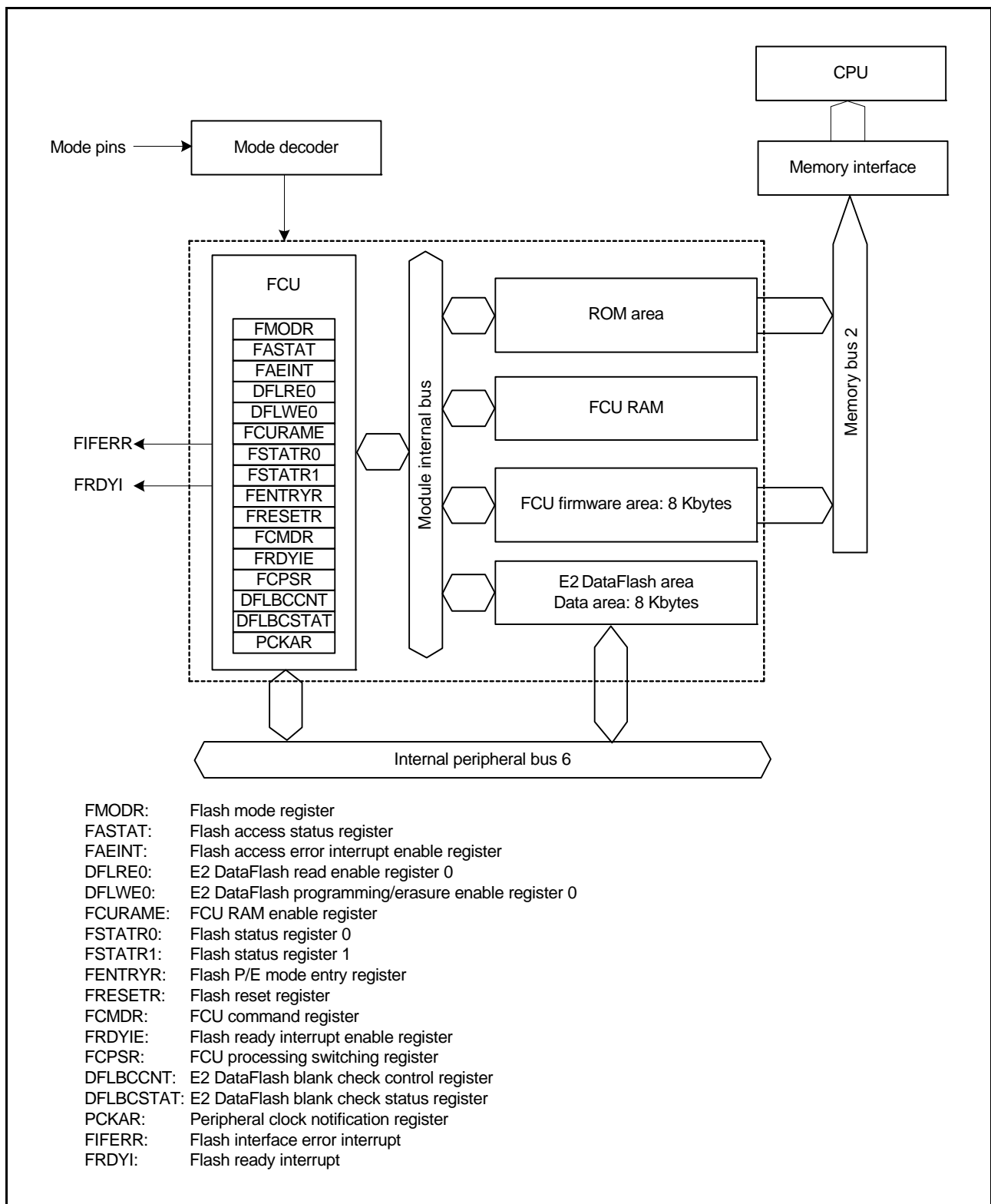


Figure 41.1 Block Diagram of E2 DataFlash Memory

For input and output pins associated with the E2 DataFlash, see Table 40.9, Input and Output Pins Associated with the ROM.

41.2 Register Descriptions

Some registers also have bits related to the ROM, but this section deals only with the bits that are relevant to the E2 DataFlash. For registers containing bits with common functions for the ROM and E2 DataFlash (FRDYIE, FCURAME, FSTATR0, FSTATR1, FRESETR, FCMDR, FCPSR, PCKAR, and FWEPROR) and details on the functions of bits dedicated to the ROM, see section 40.2, Register Descriptions.

P/E indicates programming/erasure.

41.2.1 Flash Mode Register (FMODR)

Address(es): 007F C402h

	b7	b6	b5	b4	b3	b2	b1	b0
	—	—	—	FRDMD	—	—	—	—
Value after reset:	0	0	0	0	0	0	0	0

Bit	Symbol	Bit Name	Description	R/W
b3 to b0	—	Reserved	These bits are read as 0. The write value should be 0.	R/W
b4	FRDMD	FCU Read Mode Select	0: Memory Area Reading Method This is the setting when a transition of E2 DataFlash lock bit read mode is made. Since there are no lock bits for the E2 DataFlash, undefined data are read from the E2 DataFlash area after a transition of the lock bit reading mode is made. 1: Register Reading Method This is the setting when the blank checking command is to be used.	R/W
b7 to b5	—	Reserved	These bits are read as 0. The write value should be 0.	R/W

When the on-chip ROM is disabled, the data read from the FMODR register is 00h and writing is disabled.
Set the FRDMD bit to 1 if the blank checking command is to be used.

FRDMD Bit (FCU Read Mode Select)

This bit is used to select processing for a transition of E2 DataFlash lock bit read mode or for blank checking.
The FRDMD bit is used to select the method of reading when lock bit values for the ROM are read (see section 40, ROM (Flash Memory for Code Storage)).

41.2.2 Flash Access Status Register (FASTAT)

Address(es): 007F C410h

	b7	b6	b5	b4	b3	b2	b1	b0
	ROMA E	—	—	CMDLK	DFLAE	—	DFLRP E	DFLWP E
Value after reset:	0	0	0	0	0	0	0	0

Bit	Symbol	Bit Name	Description	R/W
b0	DFLWPE	E2 DataFlash Programming/Erasure Protection Violation	0: An E2 DataFlash programming/erasure command is not issued which conflicts with the DFLWE0 settings 1: An E2 DataFlash programming/erasure command is issued which conflicts with the DFLWE0 settings	R/(W) *1
b1	DFLRPE	E2 DataFlash Read Protection Violation	0: There is no such E2 DataFlash reading that conflicts with the DFLRE0 settings 1: There is such an E2 DataFlash reading that conflicts with the DFLRE0 settings	R/(W) *1
b2	—	Reserved	This bit is read as 0. The write value should be 0.	R/W
b3	DFLAE	E2 DataFlash Access Violation	0: No E2 DataFlash access violation 1: E2 DataFlash access violation	R/(W) *1
b4	CMDLK	FCU Command Lock	0: FCU is not in the command-locked state 1: FCU is in the command-locked state	R
b6, b5	—	Reserved	These bits are read as 0. The write value should be 0.	R/W
b7	ROMAE	ROM Access Violation	See section 40, ROM (Flash Memory for Code Storage).	R/(W) *1

Note 1. Only 0 can be written after reading 1 to clear the flag.

When on-chip ROM is disabled, the data read from FASTAT is 00h and writing is disabled. When any bit from among the DFLWPE, DFLRPE, DFLAE, and ROMAE bits in FASTAT is set to 1, the FSTATR0.ILGLERR bit is set to 1, which places the FCU in the command-locked state (see section 41.7.2, Command-Locked State). To clear the command-locked state, a status register clearing command must be issued to the FCU after setting FASTAT to 10h.

DFLWPE Bit (E2 DataFlash Programming/Erasure Protection Violation)

This bit is used to indicate whether or not the programming/erasure protection set by DFLWE0 is violated.

When the DFLWPE bit is set to 1, the FSTATR0.ILGLERR bit is set to 1, placing the FCU in the command-locked state. For FSTATR0, see section 40.2.6, Flash Status Register 0 (FSTATR0).

[Setting condition]

- A programming/erasure command is issued for an E2 DataFlash area for which programming or erasure is disabled by DFLWE0.

[Clearing condition]

- When 0 is written after reading 1

DFLRPE Bit (E2 DataFlash Read Protection Violation)

This bit is used to indicate whether or not the reading protection set by DFLRE0 is violated.

When the DFLRPE bit is set to 1, the FSTATR0.ILGLERR bit is set to 1, placing the FCU in the command-locked state. For FSTATR0, see section 40.2.6, Flash Status Register 0 (FSTATR0).

[Setting condition]

- A read command is issued for an E2 DataFlash area for which reading is disabled by DFLRE0.

[Clearing condition]

- When 0 is written after reading 1

DFLAE Bit (E2 DataFlash Access Violation)

This bit indicates whether an E2 DataFlash access violation occurred.

When the DFLAE bit is set to 1, the ILGLERR bit in FSTATR0 is set to 1, placing the FCU in the command-locked state. For FSTATR0, see section 40.2.6, Flash Status Register 0 (FSTATR0).

[Setting conditions]

- A read command is issued for an E2 DataFlash area in E2 DataFlash P/E normal mode and when the FENTRYD bit in FENTRYR is set to 1.
- A write command is issued for an E2 DataFlash area when the FENTRYD bit is set to 0.
- A command is issued for an E2 DataFlash area when the FENTRY0 or FENTRY1 bit in FENTRYR is set to 1.

[Clearing condition]

- When 0 is written after reading 1

CMDLK Bit (FCU Command Lock)

This bit indicates that the FCU is in the command-locked state (see section 41.7.2, Command-Locked State).

[Setting condition]

- After the FCU detects an error and enters the command-locked state

[Clearing condition]

- After the FCU has processed a status register clearing command

41.2.3 Flash Access Error Interrupt Enable Register (FAEINT)

Address(es): 007F C411h

b7	b6	b5	b4	b3	b2	b1	b0
ROMA EIE	—	—	CMDLK IE	DFLAEI E	—	DFLRP EIE	DFLWP EIE
Value after reset: 1	0	0	1	1	0	1	1

Bit	Symbol	Bit Name	Description	R/W
b0	DFLWPEIE	E2 DataFlash Programming/Erase Protection Violation Interrupt Enable	0: FIFERR interrupt requests disabled when the DFLWPE bit in FASTAT is set to 1 1: FIFERR interrupt requests enabled when the DFLWPE bit in FASTAT is set to 1	R/W
b1	DFLRPEIE	E2 DataFlash Read Protection Violation Interrupt Enable	0: FIFERR interrupt requests disabled when the DFLRPE bit in FASTAT is set to 1 1: FIFERR interrupt requests enabled when the DFLRPE bit in FASTAT is set to 1	R/W
b2	—	Reserved	This bit is read as 0. The write value should be 0.	R/W
b3	DFLAEIE	E2 DataFlash Access Violation Interrupt Enable	0: FIFERR interrupt requests disabled when the DFLAE bit in FASTAT is set to 1 1: FIFERR interrupt requests enabled when the DFLAE bit in FASTAT is set to 1	R/W
b4	CMDLKIE	FCU Command Lock Interrupt Enable	0: FIFERR interrupt requests disabled when the CMDLK bit in FASTAT is set to 1 1: FIFERR interrupt requests enabled when the CMDLK bit in FASTAT is set to 1	R/W
b6, b5	—	Reserved	These bits are read as 0. The write value should be 0.	R/W
b7	ROMAEIE	ROM Access Violation Interrupt Enable	See section 40, ROM (Flash Memory for Code Storage).	R/W

When on-chip ROM is disabled, the data read from FAEINT is 00h and writing is disabled.

DFLWPEIE Bit (E2 DataFlash Programming/Erase Protection Violation Interrupt Enable)

This bit is used to enable or disable FIFERR interrupt requests when an E2 DataFlash programming/erase protection violation occurs and the DFLWPE bit in FASTAT is set to 1.

DFLRPEIE Bit (E2 DataFlash Read Protection Violation Interrupt Enable)

This bit is used to enable or disable FIFERR interrupt requests when an E2 DataFlash read protection violation occurs and the DFLRPE bit in FASTAT is set to 1.

DFLAEIE Bit (E2 DataFlash Access Violation Interrupt Enable)

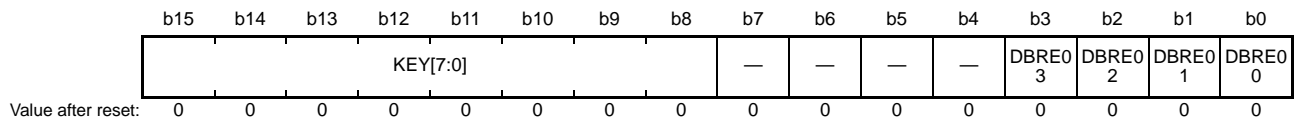
This bit is used to enable or disable FIFERR interrupt requests when an E2 DataFlash access violation occurs and the DFLAE bit in FASTAT is set to 1.

CMDLKIE Bit (FCU Command Lock Interrupt Enable)

This bit is used to enable or disable FIFERR interrupt requests when a FCU command-locked state occurs and the CMDLK bit in FASTAT is set to 1.

41.2.4 E2 DataFlash Read Enable Register 0 (DFLRE0)

Address(es): 007F C440h



Bit	Symbol	Bit Name	Description	R/W
b0	DBRE00	DB00 to DB15 Block Read Enable	0: Read disabled 1: Read enabled	R/W
b1	DBRE01	DB16 to DB31 Block Read Enable		R/W
b2	DBRE02	DB32 to DB47 Block Read Enable		R/W
b3	DBRE03	DB48 to DB63 Block Read Enable		R/W
b7 to b4	—	Reserved	These bits are read as 0. The write value should be 0.	R/W
b15 to b8	KEY[7:0]	Key Code	These bits control permission and prohibition of writing to the DFLRE0 register. To modify the DFLRE0 register, write 2Dh to the eight higher-order bits and the desired value to the eight lower-order bits as a 16-bit unit.	R/(W) *1

Note 1. Write data is not retained.

DFLRE0 is a register to enable or disable the DB00 to DB63 blocks of the data area (see Figure 41.3) to be read. When on-chip ROM is disabled, the data read from DFLRE0 is 0000h and writing is disabled.

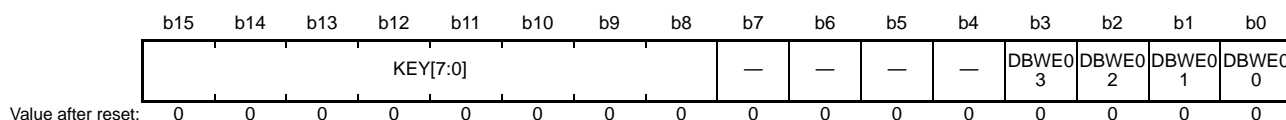
DBREj Bit (DBj Block Read Enable) (j = 00 to 03)

This bit is used to enable or disable the DB00 to DB63 blocks of the data area to be read.

The DBREj bit is used to control reading of the DB00 to DB63 blocks.

41.2.5 E2 DataFlash Programming/Erase Enable Register 0 (DFLWE0)

Address(es): 007F C450h



Bit	Symbol	Bit Name	Description	R/W
b0	DBWE00	DB00 to DB15 Block Programming/ Erase Enable	0: Programming/erase disabled 1: Programming/erase enabled	R/W
b1	DBWE01	DB16 to DB31 Block Programming/ Erase Enable		R/W
b2	DBWE02	DB32 to DB47 Block Programming/ Erase Enable		R/W
b3	DBWE03	DB48 to DB63 Block Programming/ Erase Enable		R/W
b7 to b4	—	Reserved	These bits are read as 0. The write value should be 0.	R/W
b15 to b8	KEY[7:0]	Key Code	These bits control permission and prohibition of writing to the DFLWE0 register. To modify the DFLWE0 register, write 1Eh to the eight higher-order bits and the desired value to the eight lower-order bits as a 16-bit unit.	R/(W) *1

Note 1. Write data is not retained.

DFLWE0 is a register to enable or disable the DB00 to DB63 blocks of the data area (see Figure 41.3) to be programmed or erased.

When on-chip ROM is disabled, the data read from DFLWE0 is 0000h and writing is disabled.

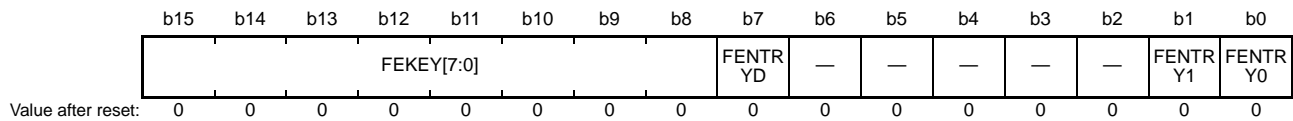
DBWEj Bit (DBj Block Programming/Erase Enable) (j = 00 to 03)

This bit is used to enable or disable the DB00 to DB63 blocks of the data area to be programmed or erased.

The DBWEj bit is used to control programming/erase of the DB00 to DB63 blocks.

41.2.6 Flash P/E Mode Entry Register (FENTRYR)

Address(es): 007F FFB2h



Bit	Symbol	Bit Name	Description	R/W
b0	FENTRY0	ROM P/E Mode Entry 0	See section 40, ROM (Flash Memory for Code Storage).	R/W
b1	FENTRY1	ROM P/E Mode Entry 1	See section 40, ROM (Flash Memory for Code Storage).	R/W
b6 to b2	—	Reserved	These bits are read as 0. The write value should be 0.	R/W
b7	FENTRYD	E2 DataFlash P/E Mode Entry	0: E2 DataFlash is in read mode 1: E2 DataFlash is in P/E mode	R/W
b15 to b8	FEKEY[7:0]	Key Code	These bits control permission and prohibition of writing to the FENTRYR register. To modify the FENTRYR register, write AAh to the eight higher-order bits and the desired value to the eight lower-order bits as a 16-bit unit.	R/(W) *1

Note 1. Write data is not retained.

To place the ROM/E2 DataFlash in ROM P/E mode so that the FCU can accept commands, the FENTRYD, FENTRY0, or FENTRY1 bit must be set to 1. If more than one bit is set to 1, the ILGLERR bit is set in FSTATR0 and the FCU enters the command-locked state.

After writing to the FENTRYR to initiate a transition to ROM-reading mode, read the register and confirm that it actually holds the new setting before proceeding to read the ROM.

When on-chip ROM is disabled, the data read from FENTRYR is 0000h and writing is disabled.

FENTRYR is initialized by a reset, or when the FRESET bit in FRESETR is set to 1.

For FSTATR0, see section 40.2.6, Flash Status Register 0 (FSTATR0).

For FRESETR, see section 40.2.11, Flash Reset Register (FRESETR).

FENTRYD Bit (E2 DataFlash P/E Mode Entry)

The FENTRYD bit is used to place the E2 DataFlash in P/E mode.

[Writing-enable conditions (when all of the following conditions are met)]

- On-chip ROM is enabled.
- The FRDY bit in FSTATR0 is set to 1
- AAh is written to the FEKEY[7:0] bits in word access.

[Setting condition]

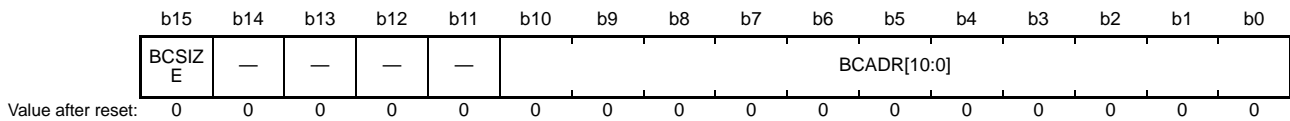
- When the writing-enable conditions are met, FENTRYR is set to 0000h, and 1 is written to the FENTRYD bit

[Clearing conditions]

- Data is written in byte access.
- Data is written in word access when the FEKEY[7:0] bits are other than AAh.
- When the writing-enable conditions are met, 0 is written to the FENTRYD bit.
- When the writing-enable conditions are met and FENTRYR is other than 0000h, data is written to FENTRYR.

41.2.7 E2 DataFlash Blank Check Control Register (DFLBCCNT)

Address(es): 007F FFCAh



Bit	Symbol	Bit Name	Description	R/W
b10 to b0	BCADR[10:0]	Blank Check Address Setting	Set the address of the area to be checked	R/W
b14 to b11	—	Reserved	These bits are read as 0. The write value should be 0.	R/W
b15	BCSIZE	Blank Check Size Setting	0: The size of the area to be blank checked is 2 bytes. 1: The size of the area to be blank checked is 2 Kbytes.	R/W

When on-chip ROM is disabled, the data read from DFLBCCNT is 0000h and writing is disabled.

DFLBCCNT is initialized by a reset, or when the FRESET bit in FRESETR is set to 1.

For FRESETR, see section 40.2.11, Flash Reset Register (FRESETR).

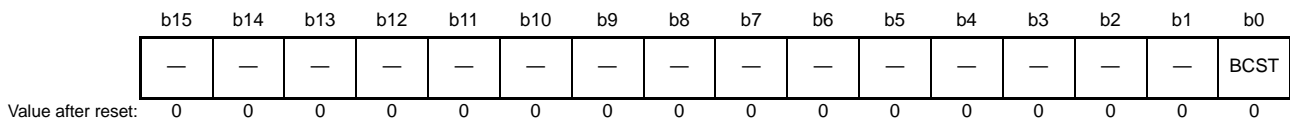
BCADR[10:0] Bits (Blank Check Address Setting)

These bits are used to set the address of the area to be checked when the size of the area to be checked by a blank check command is 2 bytes (the BCSIZE bit is 0).

When the BCSIZE bit is 0, the start address of the area to be checked is obtained by adding the DFLBCCNT setting value to the block start address (in 2-Kbyte units) specified at issuance of a blank check command.

41.2.8 E2 DataFlash Blank Check Status Register (DFLBCSTAT)

Address(es): 007F FFCEh



Bit	Symbol	Bit Name	Description	R/W
b0	BCST	Blank Check Status	0: The area to be blank-checked is erased (blank) 1: 0 or 1 is written in the area to be blank-checked	R
b15 to b1	—	Reserved	These bits are read as 0. The write value should be 0.	R/W

When on-chip ROM is disabled, the data read from DFLBCSTAT is 0000h and writing is disabled.

DFLBCSTAT is initialized by a reset, or when the FRESET bit in FRESETR is set to 1.

For FRESETR, see section 40.2.11, Flash Reset Register (FRESETR).

41.3 Configuration of Memory Area for the E2 DataFlash Memory

The E2 DataFlash memory of products in the RX210 Group is configured as an 8-Kbyte data area. Figure 41.2 shows the configuration of the data area for the E2 DataFlash.

Note that for the data area, the address range for reading is the same as the address range for programming and erasure.

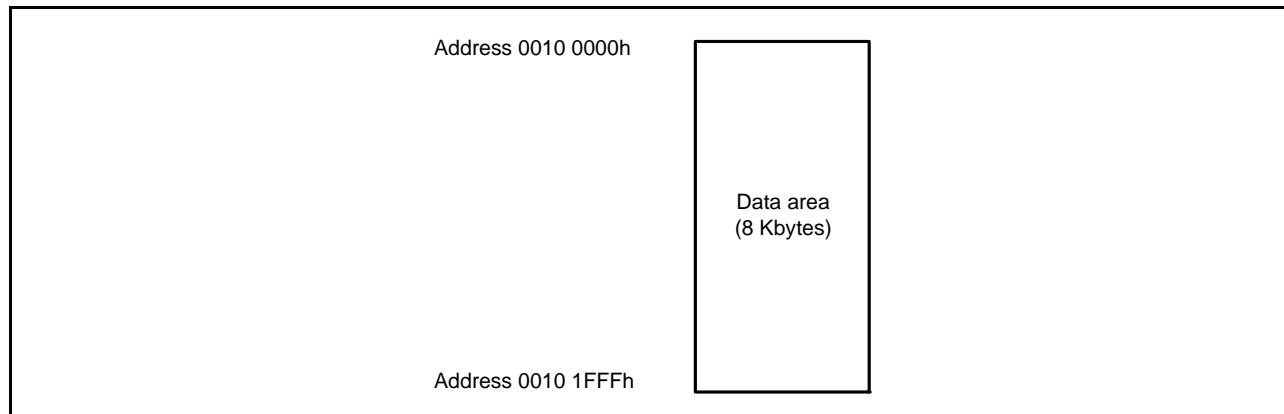


Figure 41.2 Configuration of the Data Area for the E2 DataFlash Memory

41.4 Block Configuration

Figure 41.3 shows how the erasure blocks of the data area are configured. The data area is divided into 64 blocks of 128 bytes, and erasure proceeds in these block units. Programming proceeds in 2- or 8-byte units. For programming in 2-byte units, each unit starts at an address whose two low-order bits are 0h or 2h. For programming in 8-byte units, each unit starts at an address whose three low-order bits are all 0.

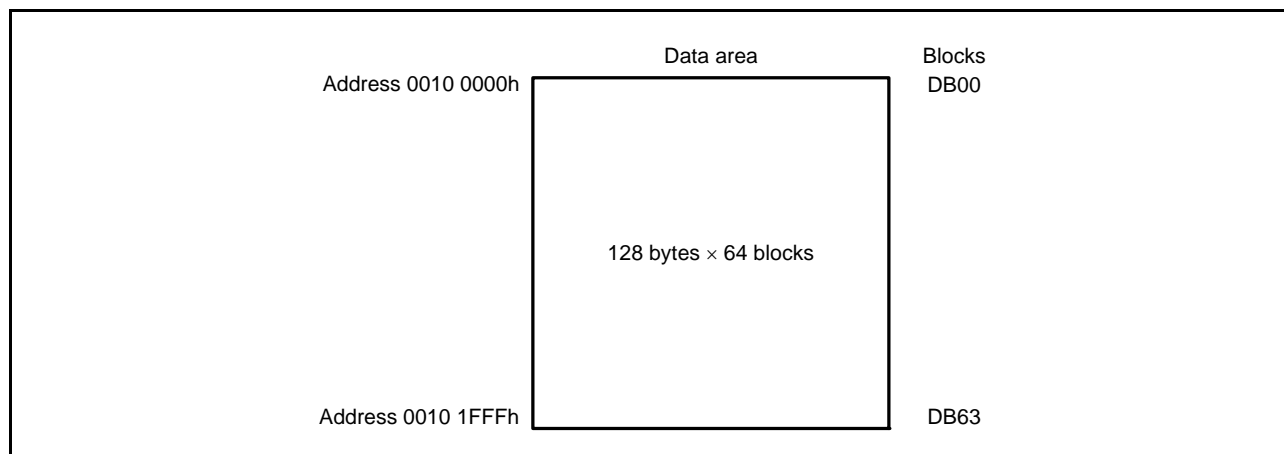


Figure 41.3 Division of the Data Area into Blocks

41.5 Operating Modes Associated with the E2 DataFlash

For the transitions between operating modes, see section 40.5, Operating Modes Associated with the ROM.

Reading, programming, and erasing of the data area in an on-board device can proceed if the device is in boot mode, user boot mode, single-chip mode (with on-chip ROM enabled), or on-chip-ROM-enabled extended mode.

The differences between modes are indicated in Table 41.2.

Table 41.2 Differences between Modes

Item	Boot Mode	User Boot Mode	Single-Chip Mode (with On-Chip ROM Enabled) or On-Chip-ROM-Enabled Expansion Mode
Environment for programming and erasure			On-board programming
Programmable and erasable area	Data area	Data area	Data area
Division into erasure blocks	Possible*1	Possible	Possible
Boot program at a reset	Boot program	User boot program	User program

Note 1. All flash memory areas may be erased at the time of booting up. Specified blocks can subsequently be erased. For details, refer to section 40.10.4, ID Code Protection (Boot Mode), section 40.10.2, State Transitions in Boot Mode

- In boot mode, a host is able to program/erase or read the data area via an SCI.
- In boot mode, RAM is employed for use in the boot program. For this reason, preserving the contents of RAM is not possible in this case.
- In user boot mode, any desired interface can be used for programming or reading of the user area and data area following booting up from the user boot area.

41.6 Programming and Erasing the E2 DataFlash Memory

The E2 DataFlash memory is programmed and erased by issuing commands to a dedicated sequencer (FCU) for programming and erasure. The FCU has five modes. For programming and erasure, the mode is changed and then commands for programming and erasure are issued.

The mode transitions required to program or erase the E2 DataFlash and the system of commands are described below. The descriptions apply in common to boot mode, user boot mode, single-chip mode (with on-chip ROM enabled), and on-chip ROM enabled extended mode.

41.6.1 FCU Modes

The FCU has five modes or sets of modes. Transitions between modes are caused by writing to the FENTRYR register or issuing FCU commands. Figure 41.4 is a diagram of the FCU mode transitions.

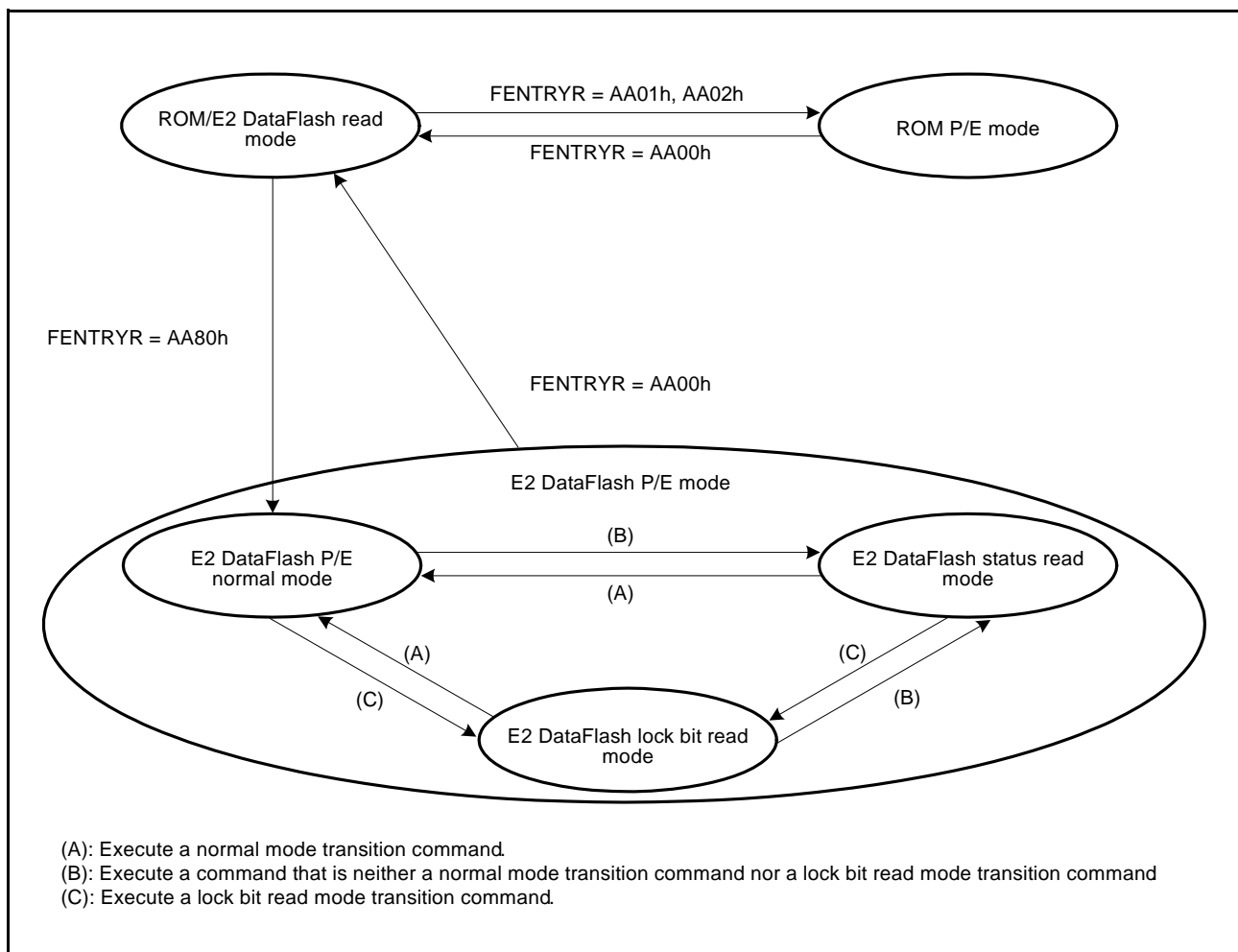


Figure 41.4 Mode Transitions of the FCU (Associated with the E2 DataFlash)

41.6.1.1 ROM P/E Modes

The ROM P/E modes are for programming and erasure of the ROM.

For details on the ROM P/E modes, see section 40.6.1.2, ROM P/E Modes.

41.6.1.2 ROM/E2 DataFlash Read Mode

This mode is for reading the ROM or E2 DataFlash memory. The FCU does not accept commands.

The FCU enters this mode when the FENTRYD, FENTRY0, and FENTRY1 bits in FENTRYR are set to 0.

41.6.1.3 E2 DataFlash P/E Modes

These modes are for programming and erasure of the E2 DataFlash memory. Reading out the E2 DataFlash is not possible.

E2 DataFlash P/E normal mode, E2 DataFlash status read mode, and E2 DataFlash lock-bit read mode are the three E2 DataFlash P/E modes.

(1) E2 DataFlash P/E Normal Mode

The transition to E2 DataFlash P/E normal mode is the first transition in the process of programming or erasing the E2 DataFlash.

The FCU enters this mode when the FENTRYD bit in FENTRYR is set to 1 and the FENTRY0 and FENTRY1 bits in FENTRYR are set to 0 in ROM/E2 DataFlash read mode, or when the normal mode transition command is received in E2 DataFlash P/E modes. Table 41.5 lists the acceptable commands in this mode.

(2) E2 DataFlash Status Read Mode

The E2 DataFlash status read mode is for reading information on the state of the E2 DataFlash.

The FCU enters this mode when a command other than the normal mode transition and lock bit read mode transition command is received in E2 DataFlash P/E modes. E2 DataFlash status read mode encompasses the states where the FRDY bit in FSTATR0 is 0 and the command-locked state after an error has occurred. Table 41.5 lists the acceptable commands in this mode.

Read access to an address within the E2 DataFlash area will actually read the value of the FSTATR0 register. High-speed reading of the ROM is possible.

(3) E2 DataFlash Lock-Bit Read Mode

The E2 DataFlash lock-bit read mode is for reading the values of the lock bits of the E2 DataFlash. However, this is not possible because the E2 DataFlash does not have lock bits.

The FCU enters this mode when a lock-bit read mode transition command is received in E2 DataFlash P/E modes. Table 41.5 lists the acceptable commands in this mode.

Since the E2 DataFlash does not have lock bits, data read in read access to addresses within the E2 DataFlash area are undefined. However, the access does not lead to an E2 DataFlash-access violation. High-speed reading of the ROM is possible.

41.6.2 FCU Commands

FCU commands consist of commands for mode transitions of the FCU and of commands for programming and erasure. Table 41.3 lists the FCU commands for use with the E2 DataFlash.

Table 41.3 FCU Commands for Use with E2 DataFlash Memory

Command	Description
P/E normal mode transition	Changes the mode to normal mode (see section 41.6.3, Connections between FCU Modes and Commands)
Status read mode transition	Changes the mode to status read mode (see section 41.6.3, Connections between FCU Modes and Commands)
Lock bit read mode transition (lock bit read 1)	Changes the mode to lock bit read mode (see section 41.6.3, Connections between FCU Modes and Commands)
Peripheral clock notification	Sets the frequency of the FlashIF clock (FCLK)
Programming	E2 DataFlash programming (in 2 or 8 byte units)
Block erasure	E2 DataFlash erasure (in 128 units)
P/E suspension	Suspends programming/erasure
P/E resumption	Resumes programming/erasure
Status register clearing	Clears the IGLERR, ERSERR and PRGERR bits in FSTATR0 and releases the FCU from the command-locked state
Lock bit read 2/blank checking	Checks whether the specified block of E2 DataFlash memory has been erased (is blank)

Commands other than the blank-checking command are also for use with the ROM.

The blank-checking command for the E2 DataFlash memory is also used as the lock bit read 2 command for the ROM. That is, when the same command is issued for the ROM, a lock bit of the ROM is read.

Commands for the FCU are issued by write access to addresses within the E2 DataFlash area.

Table 41.4 lists the formats of the programming commands and the blank checking command. For the formats of FCU commands other than programming and blank checking commands, see section 40.6.2, FCU Commands.

Write access as listed in Table 41.4 and in accord with certain conditions causes the FCU to execute processing for the corresponding command. For details on the conditions for acceptance of the individual FCU commands, see section 41.6.3, Connections between FCU Modes and Commands. For how to use the FCU commands, see section 41.6.4, FCU Command Usage.

Table 41.4 FCU Command Formats (Commands Dedicated to the E2 DataFlash Memory)

Command	Number of Bus Cycles	First Cycle		Second Cycle		Third Cycle		4th to (N+2)th Cycle		(N+3)th Cycle	
		Address	Data	Address	Data	Address	Data	Address	Data	Address	Data
Programming (2-byte programming; N = 1)	4	EA	E8h	EA	01h	WA	WDn	—	—	EA	D0h
Programming (8-byte programming; N = 4)	7	EA	E8h	EA	04h	WA	WDn	EA	WDn	EA	D0h
Blank checking	2	EA	71h	BA	D0h	—	—	—	—	—	—

Address column EA: Address within the E2 DataFlash area. Any address in the range from 0010 0000h to 0010 1FFFh.

WA: Start address of programming data

BA: Block start address within the E2 DataFlash area (2-Kbyte block)

Data columns WDn: nth word of data for programming (n = 1 to N)

41.6.3 Connections between FCU Modes and Commands

The sets of FCU commands that can be accepted in each of the FCU modes are fixed. Furthermore, which commands are acceptable in a given FCU mode varies according to the state of the FCU.

Issuing of an FCU command must follow checking of the FCU's state after transitions of the FCU mode.

Commands that are acceptable in the various FCU modes and states are listed in Table 41.5. Issuing a command that is not currently acceptable leads to the FCU being placed in the command-locked state (see section 41.7.2, Command-Locked State).

Issuing of an FCU command must follow checking of the values of the acceptable FRDY, ILGLERR, ERSERR, and PRGERR bits in FSTATR0 and of the FCUERR bit in FSTATR1 after transitions of the FCU mode. Furthermore, the CMDLK bit in FASTAT can be checked to see if an error has occurred. The value of the CMDLK bit in FASTAT is the logical OR of the ILGLERR, ERSERR, and PRGERR bits in FSTATR0 and the FCUERR bit in FSTATR1.

Table 41.5 Acceptable Commands and the State and Mode (E2 DataFlash P/E Mode) of the FCU

	P/E Normal Mode			Status Read Mode									Lock-Bit Read Mode		
	Programming Suspended	Erase Suspended	Other State	Programming or Erasure	Programming during Erasure Suspended State	Processing to Suspend programming or Erasure	Blank Checking	Programming Suspended	Erase Suspended	Command-Locked State (FRDY = 0)	Command-Locked State (FRDY = 1)	Other State	Programming Suspended	Erase Suspended	Other State
FSTATR0.FRDY bit	1	1	1	0	0	0	0	1	1	0	1	1	1	1	1
FSTATR0.SUSRDY bit	0	0	0	1	0	0	0	0	0	0	0	0	0	0	0
FSTATR0.ERSSPD bit	0	1	0	0	1	0/1	0	0	1	0/1	0/1	0	0	1	0
FSTATR0.PRGSPD bit	1	0	0	0	0	0/1	0	1	0	0/1	0/1	0	1	0	0
FASTAT.CMDLK bit	0	0	0	0	0	0	0	0	0	1	1	0	0	0	0
P/E normal mode transition	A	A	A	x	x	x	x	A	A	x	x	A	A	A	A
Status read mode transition	A	A	A	x	x	x	x	A	A	x	x	A	A	A	A
Lock-bit read mode transition (lock bit read 1)	A	A	A	x	x	x	x	A	A	x	x	A	A	A	A
Peripheral clock notification	x	x	A	x	x	x	x	x	x	x	x	A	x	x	A
Programming	x	*	A	x	x	x	x	x	*	x	x	A	x	*	A
Block erasure	x	x	A	x	x	x	x	x	x	x	x	A	x	x	A
P/E suspension	x	x	x	A	x	x	x	x	x	x	x	x	x	x	x
P/E resumption	A	A	x	x	x	x	x	A	A	x	x	x	A	A	x
Status register clearing	A	A	A	x	x	x	x	A	A	x	A	A	A	A	A
Blank checking	A	A	A	x	x	x	x	A	A	x	x	A	A	A	A

A: Acceptable

*: Only programming is acceptable for blocks other than the block where erasure was suspended

x: Not acceptable

41.6.4 FCU Command Usage

This section shows how to program and erase the E2 DataFlash memory by using programming and block erasure commands, respectively, and how to check the state of erasure of the E2 DataFlash by using the blank check command. For the ways to use other FCU commands, see section 40.6.4, FCU Command Usage.

(1) Using the Peripheral Clock Notification Command

This command handles notification of the frequency of the peripheral clock. For details, see section 40.6.4, FCU Command Usage. Set the FENTRYD bit in FENTRYR to 1 and make settings to indicate an address within the E2 DataFlash area.

(2) Programming

To program the E2 DataFlash, use one of the programming commands.

Use byte access to write E8h to an address within the E2 DataFlash area in the first cycle of the programming command, and the number of words (N)*1 to be programmed in the second cycle. Access the peripheral bus in words from the third cycle to cycle N + 2 of the command. In the third cycle, write the first word of data for programming to the address where the target area for programming starts.

In the case of 8-byte programming, 8 bytes (4 words) of data are written to the E2 DataFlash in the third to the sixth cycles, divided into four rounds. The start address of 8 bytes for programming is specified in the third cycle. The address range specified at this time must be an integral multiple of 8. The address range specified in the fourth to the sixth cycles does not need to be the address range for actual programming.

In the case of 2-byte programming, the address range and data for programming are specified in the third cycle. The address range must be an even number.

After writing words to addresses in the E2 DataFlash area N times, write byte D0h to an address within the E2 DataFlash area in cycle N + 3; the FCU will then start actual programming of the E2 DataFlash. Read the FRDY bit in FSTATR0 to confirm the completion of E2 DataFlash programming.

If the area accessed in the third cycle to cycle N + 2 includes addresses that do not require programming, write FFFFh as the programming data for those addresses. Moreover, programming and erasure of the block that contains the address must be enabled by the corresponding setting for protection from programming and erasure in the DFLWE0 register.

Figure 41.5 shows the procedure for E2 DataFlash programming.

Note 1. N = 01h and 04h for 2- and 8-byte programming, respectively.

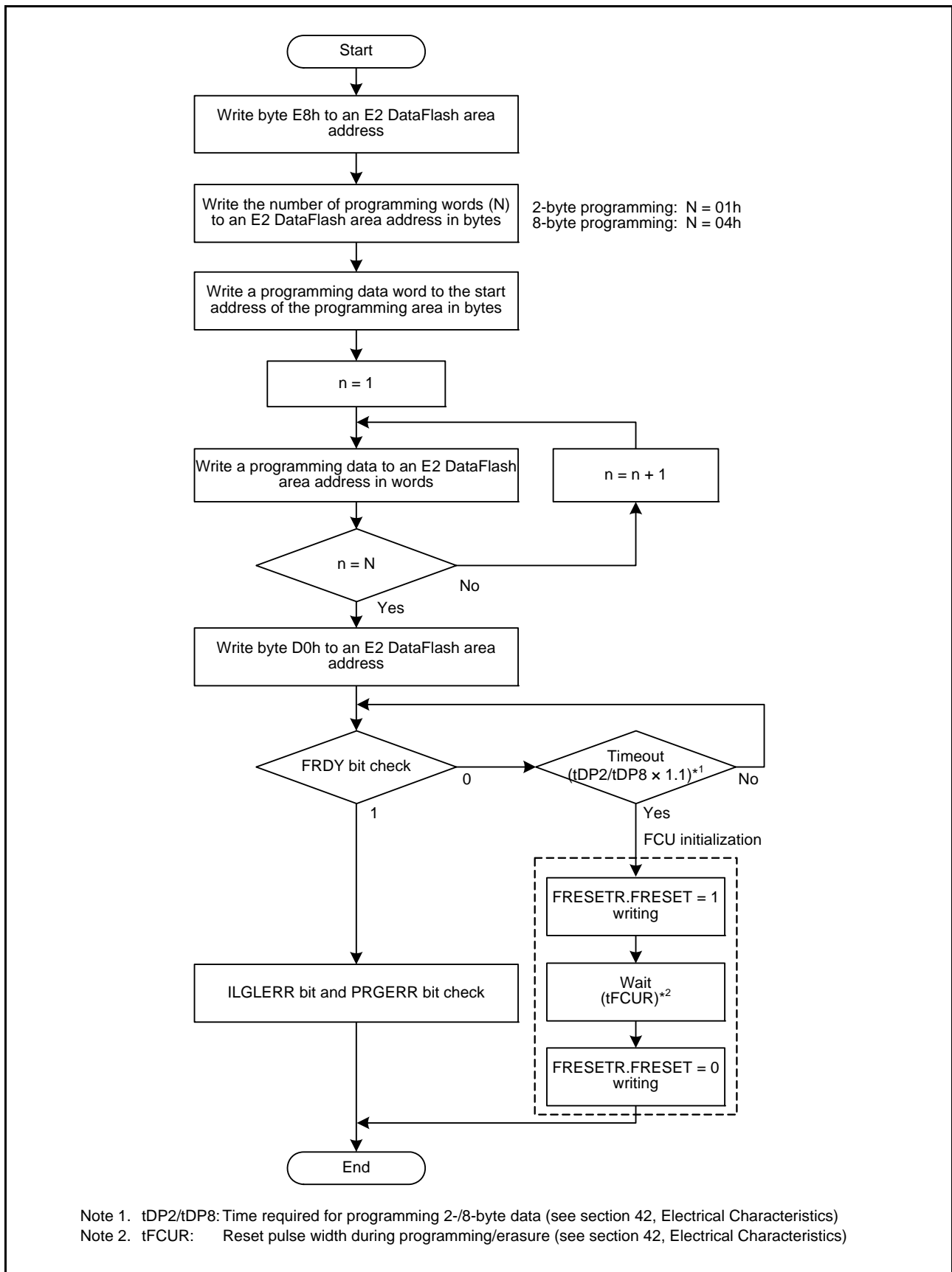


Figure 41.5 Procedure for E2 DataFlash Programming

(3) Erasure

To erase the E2 DataFlash, use the block erasure command. The E2 DataFlash is erased in the same way as the ROM (see section 40, ROM (Flash Memory for Code Storage)).

Note that the E2 DataFlash has a programming and erasure protection function that is controlled by DFLWE0. Erasure can only be performed with protection provided by the DFLWE0 setting disabled, so set the programming/erasure enable bit for the target erasure block to 1 before issuing the erasure command.

(4) Blank Checking

Since using the CPU to read erased areas of the E2 DataFlash produces undefined values, the blank checking command should be used to check whether the E2 DataFlash has actually been erased. To make the blank checking command available for use, start by setting the FRDMD bit in FMODER to 1 to enable the command, and then specify the size and start address of the target area in DFLBCCNT. When the BCSIZE bit in DFLBCCNT is set to 1, blank check can be executed for the entire erased block (2 Kbytes) as specified in the second cycle of the blank check command. When the BCSIZE bit is 0, checking can be performed on the 2-byte range starting from the address obtained by adding the start address of the area as specified in the second cycle of the command and the value held by DFLBCCNT. In the first cycle of the command sequence, the value 71h is written as a byte unit to an address in the E2 DataFlash. In the second cycle, when the value D0h is written as a byte unit to an address in the erasure block within the target area, the FCU starts blank checking of the E2 DataFlash. Test the FRDY bit in the FSTATR0 register to check whether or not the check is complete. On completion of blank checking, check the BCST bit of DFLBCSTAT to see whether the target area has been erased or is filled with 0s and/or 1s.

Figure 41.6 shows the procedure for blank checking of the E2 DataFlash.

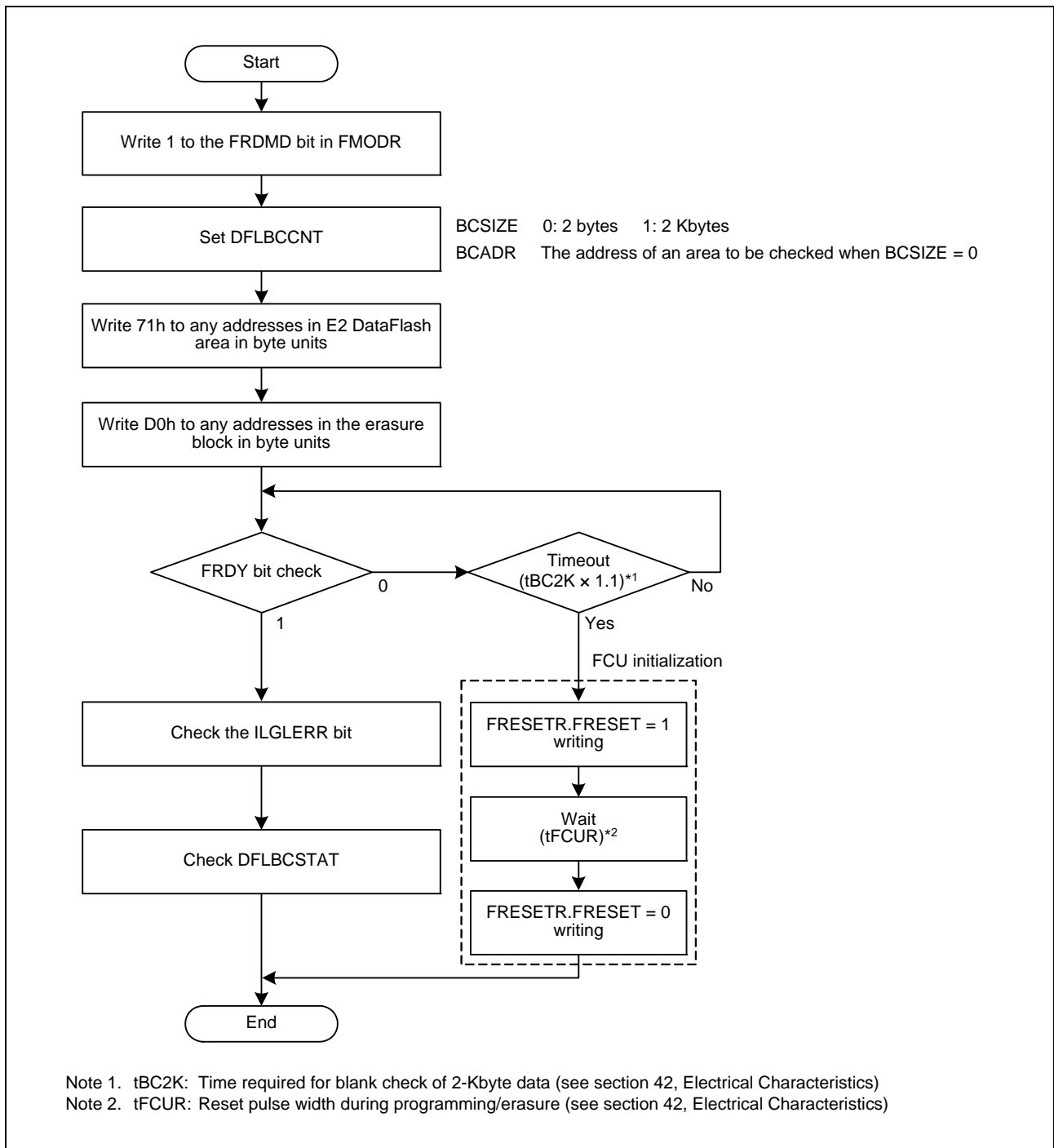


Figure 41.6 Procedure for Blank Checking of the E2 DataFlash

41.7 Protection

There are two types of E2 DataFlash programming/erasure protection: software protection and command-locked state.

41.7.1 Software Protection

In the software protection function, control register settings are used to disable E2 DataFlash programming, erasure, and reading. If an attempt is made to issue a programming, an erasure, or a reading command for the E2 DataFlash and the command violates current software protection, the FCU detects the error and enters the command-locked state.

(1) Protection through FWEPROR

If the FLWE[1:0] bits in FWEPROR are not set to 01b, programming cannot be performed in any mode.

(2) Protection through FENTRYR

When the FENTRYD bit in FENTRYR is 0, the ROM/E2 DataFlash read mode is selected. Since the FCU does not accept commands in ROM/E2 DataFlash read mode, E2 DataFlash programming and erasure are disabled. If an attempt is made to issue an FCU command for the E2 DataFlash in ROM/E2 DataFlash read mode, the FCU detects an illegal command error and enters the command-locked state (see section 41.7.2, Command-Locked State).

(3) Protection through DFLWE0

When the DBWE_j ($j = 00$ to 03) bit in DFLWE0 is 0, programming and erasure of block DB_j in the data area is disabled. If an attempt is made to program or erase block DB_j while the DBWE_j bit is 0, the FCU detects a programming/erasure protection error and enters the command-locked state (see section 41.7.2, Command-Locked State).

(4) Protection through DFLRE0

When the DBRE_j ($j = 00$ to 03) bit in DFLRE0 is 0, reading of block DB_j in the data area is disabled. If an attempt is made to read block DB_j while the DBRE_j bit is 0, the FCU detects a read protection error and enters the command-locked state (see section 41.7.2, Command-Locked State).

41.7.2 Command-Locked State

Command-locked state is the detection of errors in the issuing of FCU commands and of prohibited access, and response in the form of notification of the FCU malfunction and prohibition of the reception of further commands by the FCU (the FCU enters the command-locked state). When any bit from among the status bits (the ILGLERR, ERSERR, and PRGERR bits in FSTATR0, the FSTATR1.FCUERR bit, and the FASTAT.DFLAE, DFLRPE, and DFLWPE bits) is set to 1, the FCU will be in the command-locked state (FASTAT.CMDLK bit is set to 1), so programming and erasure of the E2 DataFlash are prohibited. To release the FCU from the command-locked state, a status register clearing command must be issued with FASTAT set to 10h.

While the CMDLKIE bit in FAEINT is 1, a flash interface error (FIFERR) interrupt will be generated if the FCU enters the command-locked state (the CMDLK bit in FASTAT becomes 1). While an E2 DataFlash-related interrupt enable bit (DFLAEIE, DFLRPEIE, or DFLWPEIE) in FAEINT is 1, an FIFERR interrupt will also be generated if the corresponding status bit (DFLAE, DFLRPE, or DFLWPE) in FASTAT becomes 1.

Table 41.6 shows the errors that lead to the command-locked state for the E2 DataFlash and the values of the status bits (the ILGLERR, ERSERR, and PRGERR bits in FSTATR0 and the DFLAE, DFLRPE, and DFLWPE bits in FASTAT) after the detection of each type of error. For the errors that lead to the command-locked state used in common by the ROM and E2 DataFlash (FENTRYR setting error, most illegal command errors, erasing errors, programming errors, and FCU errors, see section 40.8.2, Command-Locked State.

If the FCU enters the command-locked state due to a command other than a suspension command issued during programming or erasure processing, the FCU continues programming or erasing the E2 DataFlash. In this state, the P/E suspension command cannot suspend programming or erasure. If a command is issued in the command-locked state, the ILGLERR bit becomes 1.

Table 41.6 Errors that Lead to the Command-Locked State (for E2 DataFlash Only)

Error	Description	ILGLERR	ERSERR	PRGERR	DFLAE	DFLRPE	DFLWPE
Illegal command error	The value specified in the second cycle of a programming command was other than 01h and 04h.	1	0	0	0	0	0
	A lock bit programming command was issued for an area in the E2 DataFlash while the FENTRYD bit of FENTRYR register was set to 1.	1	0	0	0	0	0
E2 DataFlash access error	A read access command was issued for the E2 DataFlash area while FENTRYD = 1 in FENTRYR in E2 DataFlash P/E normal mode.	1	0	0	1	0	0
	A write access command was issued for the E2 DataFlash area while FENTRYD = 0.	1	0	0	1	0	0
	An access command was issued for the E2 DataFlash area while the FENTRY0 bit in FENTRYR was 1.	1	0	0	1	0	0
E2 DataFlash read protect error	A read access command was issued for the E2 DataFlash area while it was protected against reading by the DFLRE0 setting.	1	0	0	0	1	0
E2 DataFlash programming protect error	A program/block erase command was issued for the E2 DataFlash area while it was protected against programming and erasure by the DFLWE0 setting.	1	0	0	0	0	1

41.8 Boot Mode

To program or erase the data area in boot mode, send control commands and programming data from the host. For the system configuration and settings in boot mode, see section 40.10, Boot Mode. This section describes only the commands dedicated for the E2 DataFlash.

41.8.1 Inquiry/Selection Commands

Table 41.7 lists the inquiry/selection commands dedicated to the E2 DataFlash. The data area inquiry and data area information inquiry commands are used in the step of “Inquiry regarding area programming information” in the flowchart shown in Figure 40.27, Example of Procedure to Use Inquiry/Selection Commands for User Area/User Boot Area in section 40.10.6, Inquiry/Selection Command Wait.

Table 41.7 Inquiry/Selection Commands (only for E2 DataFlash)

Command Name	Function
Data area inquiry	Inquires regarding the availability of data area
Data area information inquiry	Inquires regarding the number of data areas and the start and end addresses

Each command is described in detail below. The “command” in the description indicates a command sent from the host to the RX210 and the “response” indicates a response sent from the RX210 to the host. The “checksum” is byte-size data calculated so that the sum of all bytes to be sent by the RX210 becomes 00h.

(1) Data Area Inquiry

In response to a data area inquiry command sent from the host, the RX210 returns the information concerning the availability of data areas.

Command	2Ah			
Response	3Ah	Size	Area availability	SUM

Size (1 byte):	Number of characters in the area availability field (fixed at 1)
Area availability (1 byte):	Availability of data areas (fixed at 21h) 21h: Data area is available
SUM (1 byte):	Checksum

(2) Data Area Information Inquiry

In response to a data area information inquiry command sent from the host, the RX210 returns the number of data area areas and their addresses.

Command	2Bh		
Response	3Bh	Size	Area count
	Area start address		
	Area end address		
	SUM		

Size (1 byte):	Total number of bytes in the area count, area start address, and area end address fields
Area count (1 byte):	Number of data areas (consecutive areas are counted as one area)
Area start address (4 bytes):	Start address of a data area
Area end address (4 bytes):	End address of a data area
SUM (1 byte):	Checksum

The information concerning the block configuration in the data area is included in the response to the erasure block information inquiry command (see section 40.10.6, Inquiry/Selection Command Wait).

41.8.2 Programming/Erasing Commands

Table 41.8 lists the programming/erasing commands dedicated to the E2 DataFlash. E2 DataFlash-dedicated commands are provided only for checksum and blank check of the data area; the programming, erasing, and reading commands are used in common for the ROM and E2 DataFlash.

To program the data area, issue from the host a user area programming selection command and then a 256-byte programming command specifying a data area address as the programming address. To erase the data area, issue an erasure selection command and then a block erasure command specifying an erasure block in the data area. The information concerning the erasure block in the data area is included in the response to the erasure block information inquiry command. To read data from the data area, select the user area through a memory read command specifying a data area address as the read address.

For the user area programming selection, user boot area programming selection, 256-byte programming, erasure selection, block erasure, and memory read commands, refer to section 40.10.8, Programming/Erasure Command Wait. For the erasure block information inquiry command, refer to section 40.10.6, Inquiry/Selection Command Wait.

Table 41.8 Programming/Erasure Commands (only for E2 DataFlash)

Command Name	Function
Data area checksum	Performs checksum verification for the data area
Data area blank check	Checks whether the data area is blank

Each command is described in detail below. The “command” in the description indicates a command sent from the host to the RX210 and the “response” indicates a response sent from the RX210 to the host. The “checksum” is byte-size data calculated so that the sum of all bytes to be sent by the RX210 becomes 00h.

(1) Data Area Checksum

In response to a data area checksum command sent from the host, the RX210 sums the data area data in byte units and returns the result (checksum).

Command	61h			
Response	71h	Size	Area checksum	SUM

Size (1 byte): Number of bytes in the area checksum field (fixed at 4)

Area checksum (4 bytes): Checksum of the data area

SUM (1 byte): Checksum (for the response data)

(2) Data Area Blank Check

In response to a data area blank check command sent from the host, the RX210 checks whether the data area is completely erased. When the data area is completely erased, the RX210 returns a response (06h). If the data area has an unerased area, the RX210 returns an error response (E2h, 52h).

Command	62h	
Response	06h	
Error response	E2h	52h

41.9 Usage Notes

(1) Protection of Data Area Immediately after a Reset

As the initial values of DFLRE0 and DFLWE0 are 0000h, programming, erasure, and reading of the data area are disabled immediately after a reset. To read data from the data area, set DFLRE0 appropriately before accessing the data area. To program or erase the data area, set DFLWE0 appropriately before issuing an FCU command for programming or erasure. If an attempt is made to read, program, or erase the data area without setting the registers, the FCU detects the error and enters the command-locked state.

(2) Other Points to Note

The other points to note are the same as for the ROM. See section 40.13, Usage Notes of section 40, ROM (Flash Memory for Code Storage).

However, blank checking has been added for the E2 DataFlash. Therefore, for the E2 DataFlash, read “programming, erasure, or blank checking” for “programming and erasure” in the usage notes.

42. Electrical Characteristics

42.1 Absolute Maximum Ratings

Table 42.1 Absolute Maximum Ratings

Conditions: VSS = AVSS0 = VREFL = VREFL0 = 0 V

Item	Symbol	Value	Unit
Power supply voltage	VCC	-0.3 to +6.5	V
Input voltage (except for ports for 5 V tolerant*1)	V _{in}	-0.3 to VCC +0.3*3	V
Input voltage (ports for 5 V tolerant*1)	V _{in}	-0.3 to +6.5	V
Reference power supply voltage	VREFH, VREFH0	-0.3 to VCC +0.3*3	V
Analog power supply voltage	AVCC0*2	-0.3 to +6.5	V
Analog input voltage	V _{AN}	-0.3 to VCC +0.3*3	V
Operating temperature	T _{opr}	-40 to +105	°C
Storage temperature	T _{stg}	-55 to +125	°C

Caution: Permanent damage to the LSI may result if absolute maximum ratings are exceeded.

To preclude any malfunctions due to noise interferences, insert capacitors of high frequency characteristics between the VCC and VSS pins, between the AVCC0 and AVSS0 pins, and between the VREFH0 and VREFL0 pins. Place capacitors of 0.1 μF or so as close to every power pin and use the shortest and heaviest possible traces.

Connect the VCL pin to a VSS pin via a 0.1 μF (±20% accuracy) capacitor. The capacitor must be placed as close to the pin as possible.

Note 1. Ports 12, 13, 16, and 17 are 5 V tolerant.

Note 2. Connect AVCC0 to VCC. When neither the A/D converter nor the D/A converter is in use, do not leave the AVCC0, VREFH, VREFH0, AVSS0, VREFL, and VREFL0 pins open. Connect the AVCC0, VREFH, and VREFH0 pins to VCC, and the AVSS0, VREFL, and VREFL0 pins to VSS, respectively.

Note 3. The maximum value is 6.5 V.

42.2 DC Characteristics

Table 42.2 DC Characteristics (1)Conditions: $V_{CC} = AV_{CC0} = 2.7$ to 5.5 V, $V_{SS} = AV_{SS0} = V_{REFL} = V_{REFL0} = 0$ V, $T_a = -40$ to $+105^\circ\text{C}$

Item		Symbol	Min.	Typ.	Max.	Unit	Test Conditions
Schmitt trigger input voltage	RIIC input pin (except for SMBus, 5 V tolerant)	V_{IH}	$V_{CC} \times 0.7$	—	5.8	V	
	Ports 12, 13, 16, and 17 (5 V tolerant)		$V_{CC} \times 0.8$	—	5.8		
	Ports 0, 14, 15, 2 to 9, A to L, and RES#		$V_{CC} \times 0.8$	—	$V_{CC} + 0.3$		
	RIIC input pin (except for SMBus)	V_{IL}	-0.3	—	$V_{CC} \times 0.3$		
	Other than RIIC input pin		-0.3	—	$V_{CC} \times 0.2$		
	RIIC input pin (except for SMBus)	ΔV_T	$V_{CC} \times 0.05$	—	—		
	Other than RIIC input pin		$V_{CC} \times 0.1$	—	—		
Input level voltage (except for Schmitt trigger input pins)	MD pin	V_{IH}	$V_{CC} \times 0.9$	—	$V_{CC} + 0.3$	V	
	EXTAL, WAIT#		$V_{CC} \times 0.8$	—	$V_{CC} + 0.3$		
	D0 to D15		$V_{CC} \times 0.7$	—	$V_{CC} + 0.3$		
	RIIC input pin (SMBus)		2.1	—	$V_{CC} + 0.3$		
	MD pin	V_{IL}	-0.3	—	$V_{CC} \times 0.1$		
	EXTAL, WAIT#		-0.3	—	$V_{CC} \times 0.2$		
	D0 to D15		-0.3	—	$V_{CC} \times 0.3$		
	RIIC input pin (SMBus)		-0.3	—	0.8		

Table 42.3 DC Characteristics (2)Conditions: $V_{CC} = AV_{CC0} = 1.62$ to 2.7 V, $V_{SS} = AV_{SS0} = V_{REFL} = V_{REFL0} = 0$ V, $T_a = -40$ to $+105^\circ\text{C}$

Item		Symbol	Min.	Typ.	Max.	Unit	Test Conditions	
Schmitt trigger input voltage	Ports 12, 13, 16, and 17 (5 V tolerant)	V_{IH}	$V_{CC} \times 0.8$	—	5.8	V		
	Ports 0, 14, 15, 2 to 9, A to L, and RES#		$V_{CC} \times 0.8$	—	$V_{CC} + 0.3$			
	All input pins	V_{IL}	-0.3	—	$V_{CC} \times 0.2$			
	Ports 0 to 9, A to L	ΔV_T	$V_{CC} \geq 2.2\text{V}$	$V_{CC} \times 0.05$	—			—
			$V_{CC} < 2.2\text{V}$	$V_{CC} \times 0.01$	—			—
RES#		$V_{CC} \times 0.1$	—	—	—			
Input level voltage (except for Schmitt trigger input pins)	MD pin	V_{IH}	$V_{CC} \times 0.9$	—	$V_{CC} + 0.3$	V		
	EXTAL, WAIT#		$V_{CC} \times 0.8$	—	$V_{CC} + 0.3$			
	D0 to D15		$V_{CC} \times 0.7$	—	$V_{CC} + 0.3$			
	MD pin	V_{IL}	-0.3	—	$V_{CC} \times 0.1$			
	EXTAL, WAIT#		-0.3	—	$V_{CC} \times 0.2$			
	D0 to D15		-0.3	—	$V_{CC} \times 0.3$			

Table 42.4 DC Characteristics (3)Conditions: $V_{CC} = AVCC0 = 1.62$ to 5.5 V, $V_{SS} = AVSS0 = VREFL = VREFL0 = 0$ V, $T_a = -40$ to $+105^\circ\text{C}$

Item		Symbol	Min.	Typ.	Max.	Unit	Test Conditions
Input leakage current	RES#, MD pin, P35/NMI	$ I_{in} $	—	—	1.0	μA	$V_{in} = 0$ V, V_{CC}
Three-state leakage current (off-state)	Port 4	$ I_{TSI} $	—	—	1.0	μA	$V_{in} = 0$ V, V_{CC}
	Other pins except for ports for 5 V tolerant and port 4		—	—	0.2		
	Ports for 5 V tolerant		—	—	1.0		
Input capacitance	All input pins (except for ports 12, 13, 16, 17, 4, A1, A3, A4, and E)	C_{in}	—	—	15	pF	$V_{in} = 0$ V, $f = 1$ MHz, $T_a = 25^\circ\text{C}$
	Ports 12, 13, 16, 17, 4, A1, A3, A4, and E		—	—	30		

Table 42.5 DC Characteristics (4)Conditions: $V_{CC} = AVCC0 = 1.62$ to 5.5 V, $V_{SS} = AVSS0 = VREFL = VREFL0 = 0$ V, $T_a = -40$ to $+105^\circ\text{C}$

Item	Symbol	VCC						Unit	Test Conditions	
		1.62 to 2.7 V		2.7 to 4.0 V		4.0 to 5.5 V				
		Min.	Max.	Min.	Max.	Min.	Max.			
Input pull-up MOS current	All ports (except for port 35)	I_p	-150	-5	-200	-10	-400	-50	μA	$V_{in} = 0$ V

[Chip version A]

Table 42.6 DC Characteristics (5)Conditions: $V_{CC} = AVCC0 = 2.7$ to 5.5 V, $V_{SS} = AVSS0 = VREFL = VREFL0 = 0$ V, $T_a = -40$ to $+105^\circ\text{C}$

Item				Symbol	Typ.	Max.	Unit	Test Conditions
Supply current*1	High-speed operating mode	Normal operating mode	No peripheral operation*2	I_{CC}	10	—	mA	
			All peripheral operation: Normal*3			31.5		
			All peripheral operation: Max.*3			—		
		Sleep mode	No peripheral operation	7.5		—		
			All peripheral operation: Normal	17.5		—		
		All-module clock stop mode		6.7		—		
		Increase during BGO operation*4		25		—		

Note 1. Supply current values do not include output charge/discharge current from all pins. The values apply when internal pull-up MOSs are in the off state.

Note 2. Clock supply to the peripheral functions is stopped. This does not include BGO operation. The clock source is PLL and the VCO oscillation frequency is 100 MHz. BCLK, FCLK, and PCLK are set to divided by 64.

Note 3. Clocks are supplied to the peripheral functions. This does not include BGO operation. The clock source is PLL and the VCO oscillation frequency is 100 MHz. BCLK, FCLK, and PCLK are ICLK divided by 2.

Note 4. This is the increase if data is programmed to or erasing from the ROM or E2 DataFlash during program execution.

[Chip version A]

Table 42.7 DC Characteristics (6)Conditions: $V_{CC} = AV_{CC0} = 1.62$ to 5.5 V, $V_{SS} = AV_{SS0} = V_{REFL} = V_{REFL0} = 0$ V, $T_a = -40$ to $+105^\circ\text{C}$

Item					Symbol	Typ.	Max.	Unit	Test Conditions		
Supply current*1	Middle-speed operating modes 1A and 1B	Normal operating mode	No peripheral operation	ICLK = 32 MHz*2	I_{CC}	7.0	—	mA			
				ICLK = 20 MHz*3		6.0	—				
			All peripheral operation: Normal	ICLK = 32 MHz*4		26	—				
				ICLK = 20 MHz*5		18.5	—				
				All peripheral operation: Max.		ICLK = 32 MHz*4	—			40	
						ICLK = 20 MHz*5	—			30	
		Sleep mode	No peripheral operation	ICLK = 32 MHz		5.0	—				
				ICLK = 20 MHz		4.6	—				
			All peripheral operation: Normal	ICLK = 32 MHz		15.5	—				
				ICLK = 20 MHz		12	—				
		All-module clock stop mode				ICLK = 32 MHz	4.5			—	
						ICLK = 20 MHz	4.3			—	
	Increase during BGO operation*6	Middle-speed operating mode 1A				25	—				
		Middle-speed operating mode 1B				20	—				
	Low-speed operating mode 1	Normal operating mode	No peripheral operation*7	ICLK = 1 MHz	0.68	—					
				All peripheral operation: Normal*8	ICLK = 1 MHz	2.4	—				
			All peripheral operation: Max.*8	ICLK = 1 MHz	—	7					
		Sleep mode	No peripheral operation	ICLK = 1 MHz	0.6	—					
				All peripheral operation: Normal	ICLK = 1 MHz	2	—				
		All-module clock stop mode				0.58	—				
		Low-speed operating mode 2	Normal operating mode	No peripheral operation*9	ICLK = 32 kHz	0.024	—				
All peripheral operation: Normal*10	ICLK = 32 kHz				0.05	—					
All peripheral operation: Max.*10	ICLK = 32 kHz			—	3*11						
Sleep mode	No peripheral operation		ICLK = 32 kHz	0.02	—						
			All peripheral operation: Normal	ICLK = 32 kHz	0.04	—					
All-module clock stop mode				0.018	—						

Note 1. Supply current values do not include output charge/discharge current from all pins. The values apply when internal pull-up MOSs are in the off state.

Note 2. Clock supply to the peripheral functions is stopped. This does not include BGO operation. The clock source is PLL and the VCO oscillation frequency is 64 MHz. BCLK, FCLK, and PCLK are set to divided by 64.

Note 3. Clock supply to the peripheral functions is stopped. This does not include BGO operation. The clock source is HOCO and the oscillation frequency is 40 MHz. BCLK, FCLK, and PCLK are set to divided by 64.

Note 4. Clocks are supplied to the peripheral functions. This does not include BGO operation. The clock source is PLL and the VCO oscillation frequency is 64 MHz. BCLK, FCLK, and PCLK are ICLK divided by 1.

Note 5. Clocks are supplied to the peripheral functions. This does not include BGO operation. The clock source is HOCO and the oscillation frequency is 40 MHz. BCLK, FCLK, and PCLK are ICLK divided by 1.

Note 6. This is the increase if data is programmed to or erasing from the ROM or E2 DataFlash during program execution.

Note 7. Clock supply to the peripheral functions is stopped. This does not include BGO operation. The clock source is HOCO and the oscillation frequency is 32 MHz. BCLK, FCLK, and PCLK are set to divided by 64.

Note 8. Clocks are supplied to the peripheral functions. This does not include BGO operation. The clock source is HOCO and the oscillation frequency is 32 MHz. BCLK, FCLK, and PCLK are ICLK divided by 1.

Note 9. Clock supply to the peripheral functions is stopped. This does not include BGO operation. The clock source is the sub oscillation circuit. BCLK, FCLK, and PCLK are set to divided by 64.

Note 10. Clocks are supplied to the peripheral functions. This does not include BGO operation. The clock source is the sub oscillation circuit. BCLK, FCLK, and PCLK are ICLK divided by 1.

Note 11. Value when the main clock continues oscillating at 12.5 MHz.

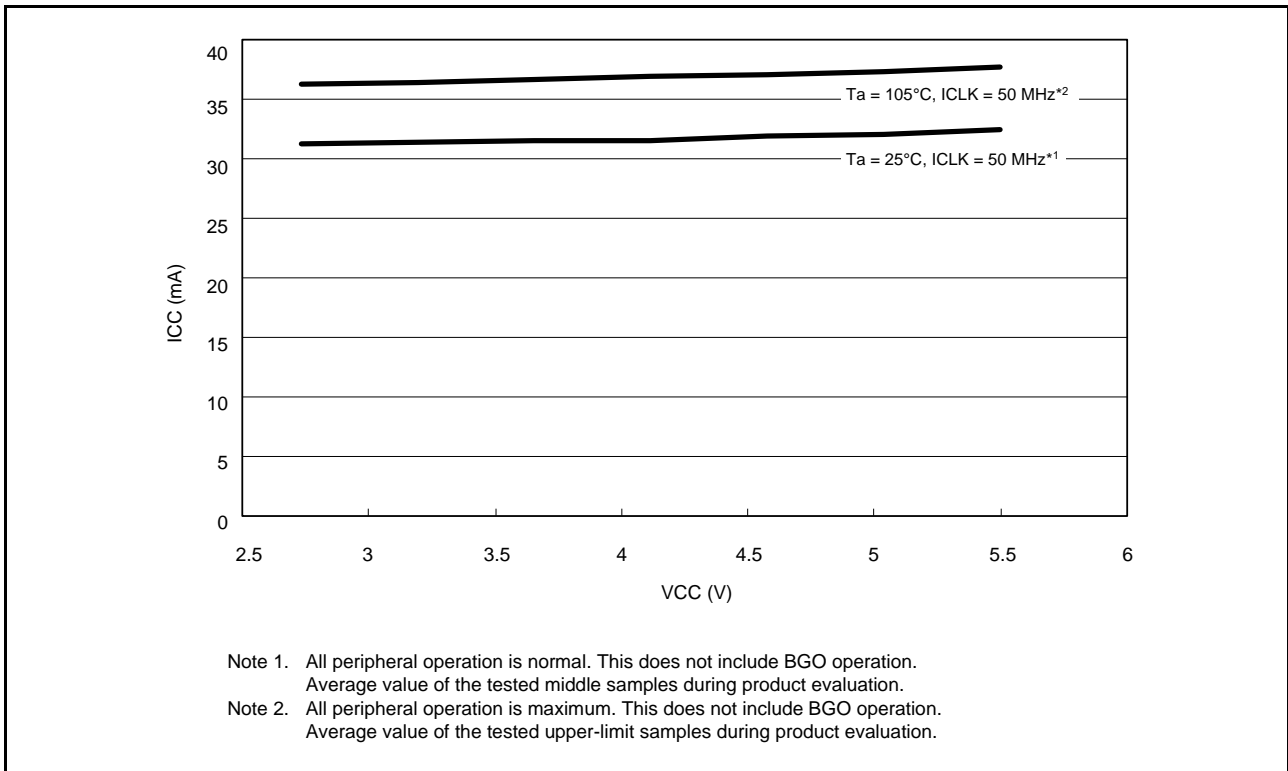


Figure 42.1 Voltage Dependency in High-Speed Operating Mode (Reference Data) for Chip Version A

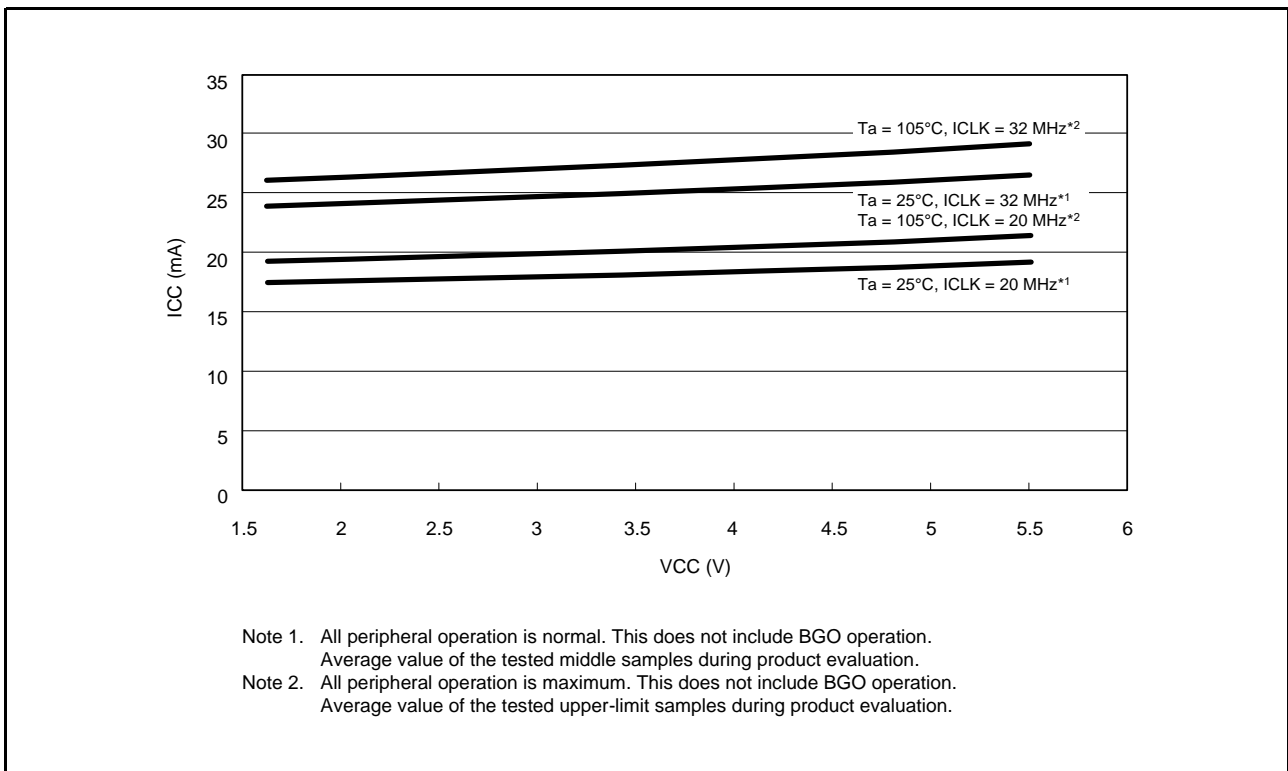


Figure 42.2 Voltage Dependency in Middle-Speed Operating Modes 1A and 1B (Reference Data) for Chip Version A

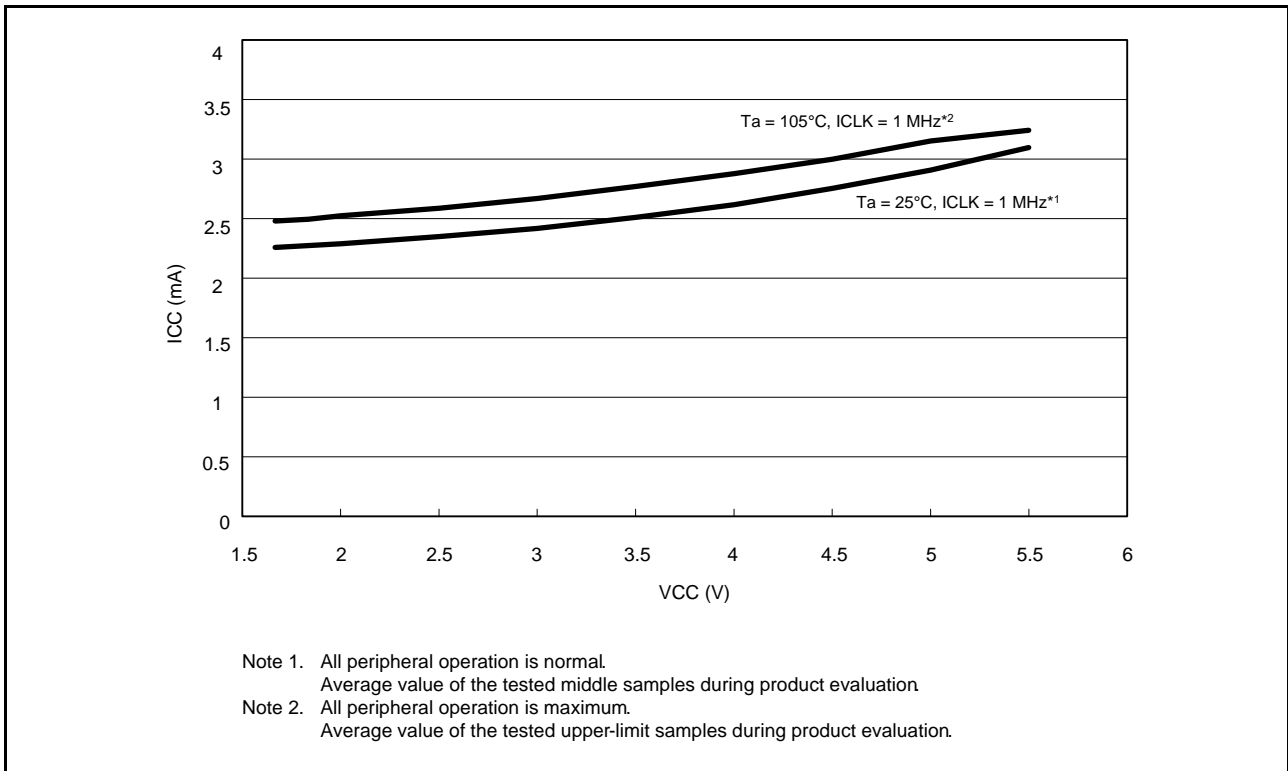


Figure 42.3 Voltage Dependency in Low-Speed Operating Mode 1 (Reference Data) for Chip Version A

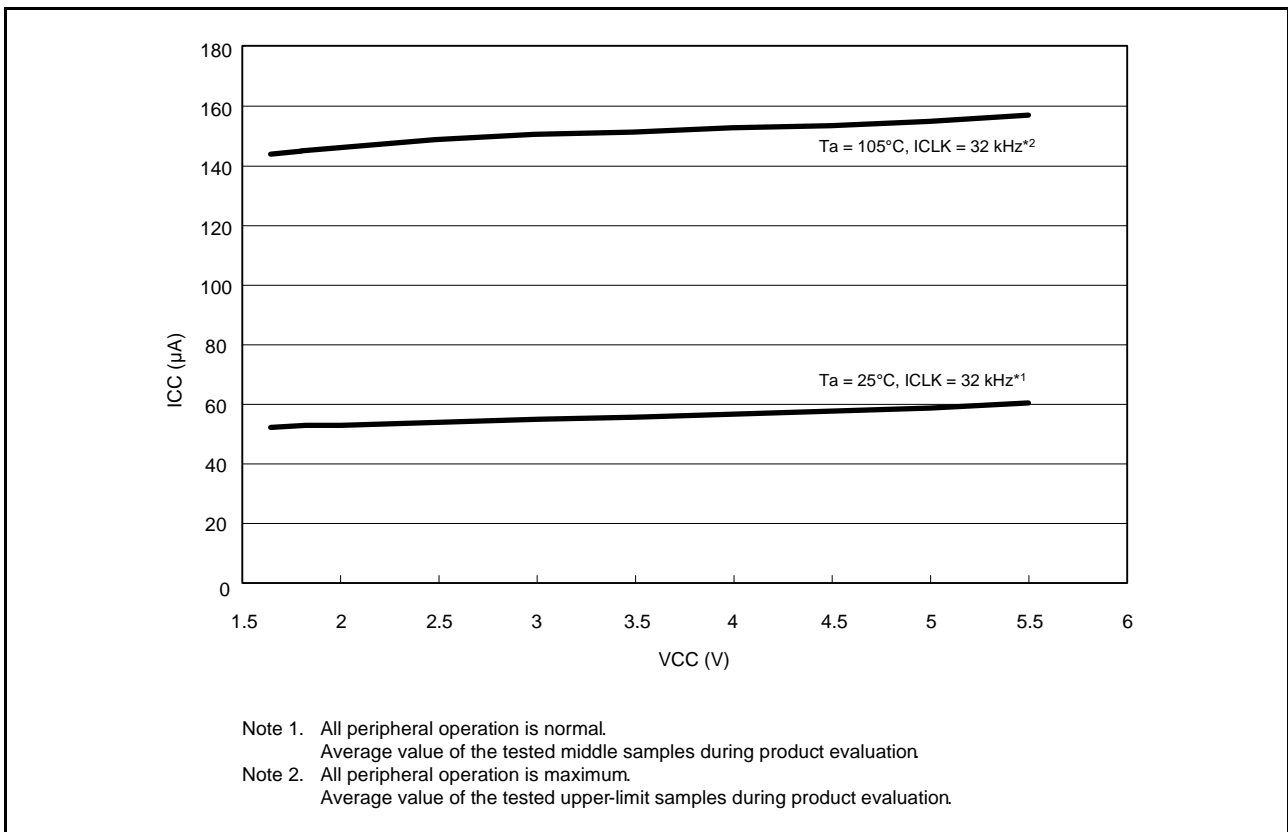


Figure 42.4 Voltage Dependency in Low-Speed Operating Mode 2 (Reference Data) for Chip Version A

[Chip version A]

Table 42.8 DC Characteristics (7)Conditions: $V_{CC} = AVCC0 = 1.62$ to 5.5 V, $V_{SS} = AVSS0 = 0$ V, $T_a = -40$ to $+105^\circ\text{C}$

Item				Symbol	Typ.*3	Max.	Unit	Test Conditions	
Supply current*1	Software standby mode*2	Flash memory power supplied, HOCO power supplied, POR low power consumption function disabled (SOFTCUT[2:0] bits = 000b)	$T_a = 25^\circ\text{C}$	I_{CC}	175	—	μA		
			Flash memory power supplied, HOCO power not supplied, POR low power consumption function enabled (SOFTCUT[2:0] bits = 110b)		$T_a = 25^\circ\text{C}$	3.0			—
					$T_a = 85^\circ\text{C}$	—			130
	$T_a = 105^\circ\text{C}$	—			150				
	Flash memory power not supplied, HOCO power not supplied, POR low power consumption function enabled (SOFTCUT[2:0] bits = 111b)	$T_a = 25^\circ\text{C}$	2.0		—				
		$T_a = 85^\circ\text{C}$	—		120				
		$T_a = 105^\circ\text{C}$	—		140				
	Deep software standby mode*2	Flash memory power not supplied, HOCO power not supplied, POR low power consumption function enabled (DEEPCUT1 bit = 1)	$T_a = 25^\circ\text{C}$		0.45	—			
			$T_a = 85^\circ\text{C}$		—	20			
			$T_a = 105^\circ\text{C}$		—	25			
Increments produced by running voltage detection circuits and disabling the POR low power consumption function				1.4	—				
Increment for RTC operation (low CL)				0.8	—				
Increment for RTC operation (standard CL)				2.0	—				

Note 1. Supply current values are with all output pins unloaded and all input pull-up MOSs in the off state.

Note 2. The IWDT and LVD are stopped.

Note 3. $V_{CC} = 3.3$ V.

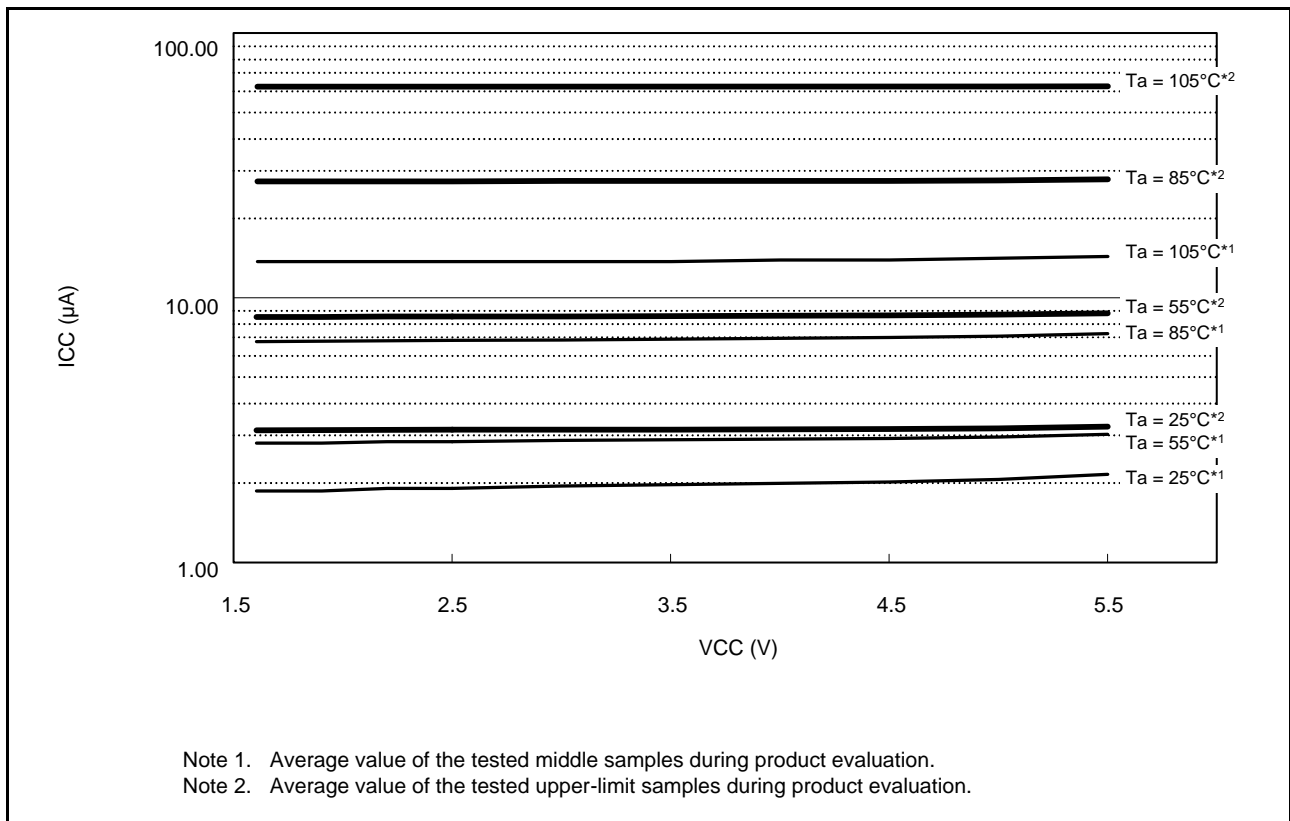


Figure 42.5 Voltage Dependency in Software Standby Mode (SOFTCUT[2:0] Bits = 111b) (Reference Data) for Chip Version A

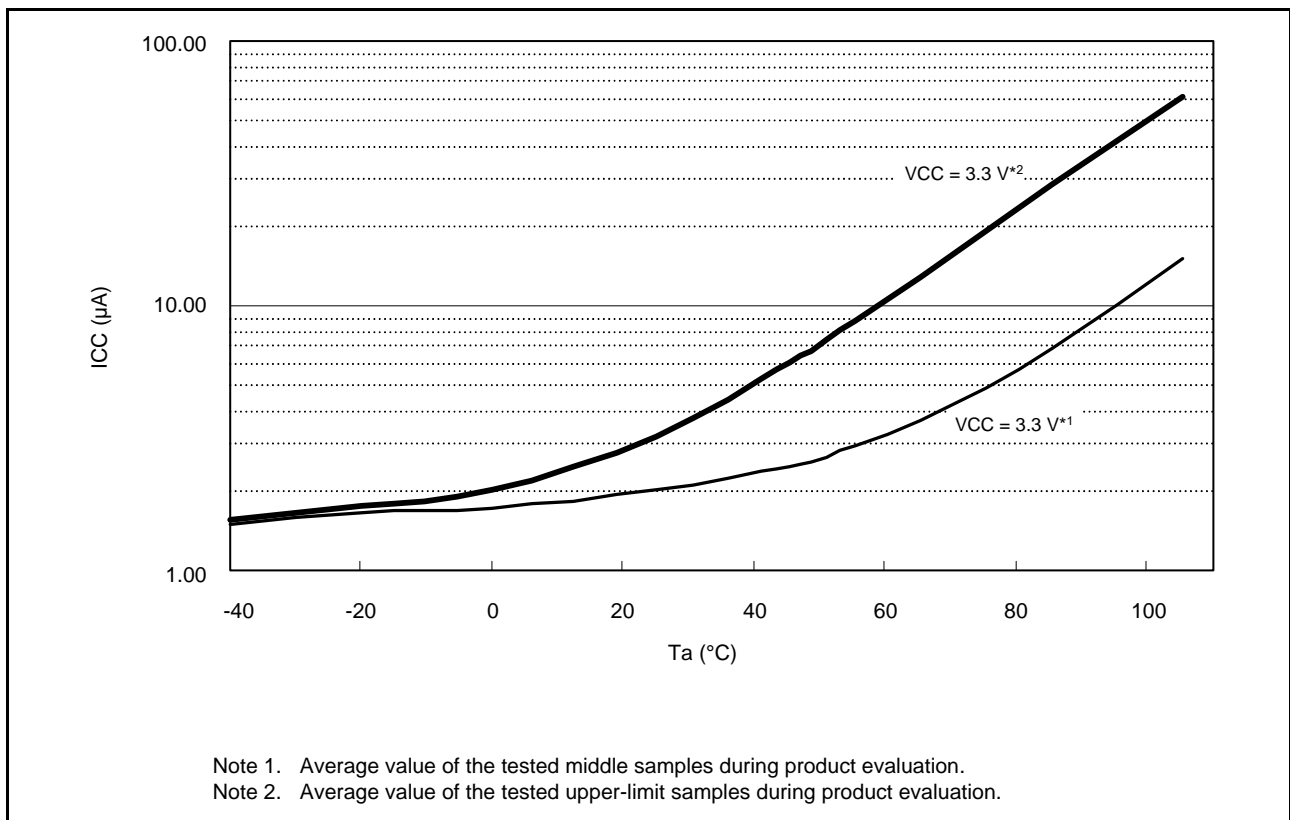


Figure 42.6 Temperature Dependency in Software Standby Mode (SOFTCUT[2:0] Bits = 111b) (Reference Data) for Chip Version A

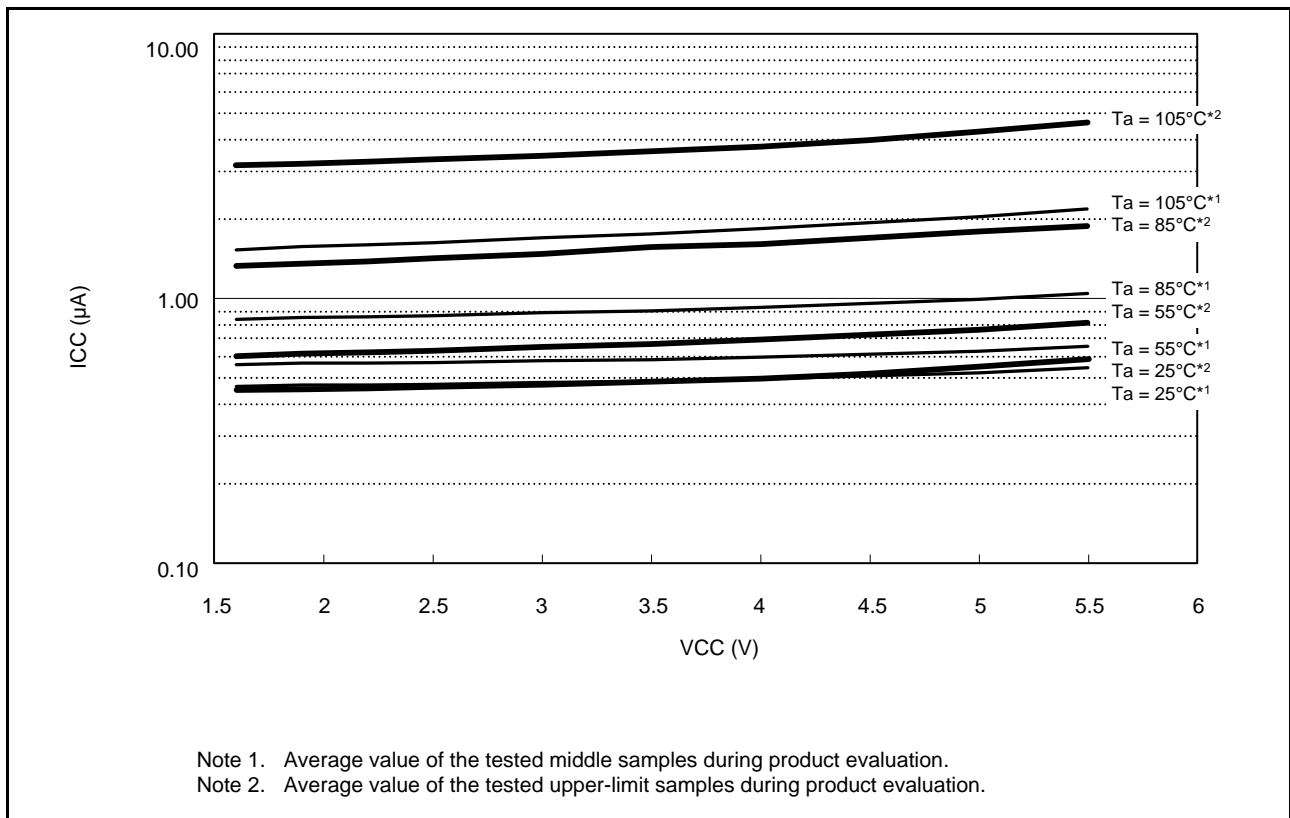


Figure 42.7 Voltage Dependency in Deep Software Standby Mode (DEEPCUT1 Bit = 1) (Reference Data) for Chip Version A

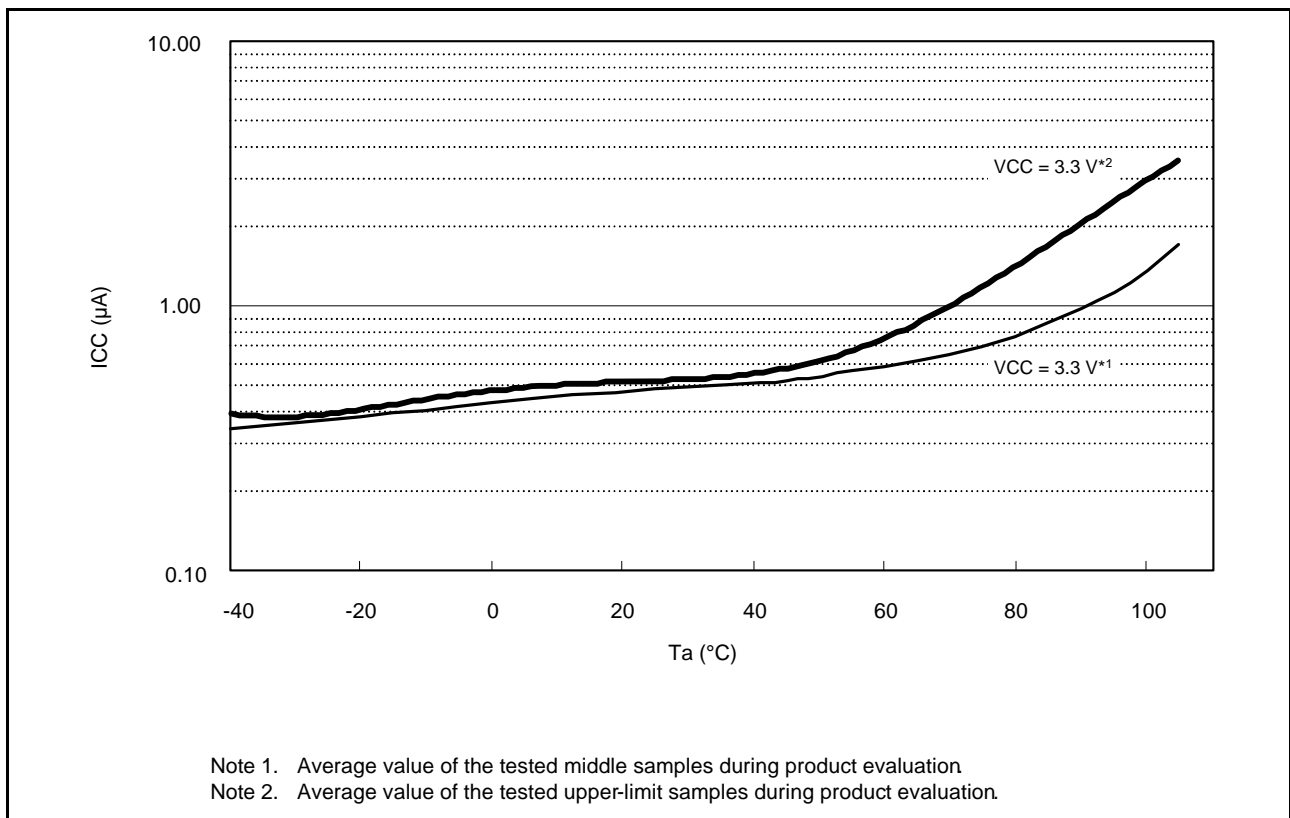


Figure 42.8 Temperature Dependency in Deep Software Standby Mode (DEEPCUT1 Bit = 1) (Reference Data) for Chip Version A

[Chip version C]

Table 42.9 DC Characteristics (8)Conditions: $V_{CC} = AVCC0 = 2.7$ to 5.5 V, $V_{SS} = AVSS0 = VREFL = VREFL0 = 0$ V, $T_a = -40$ to $+105^\circ\text{C}$

Item				Symbol	Typ.	Max.	Unit	Test Conditions
Supply current*1	High-speed operating mode	Normal operating mode	No peripheral operation*2	ICLK = 50 MHz	I _{CC}	10	—	mA
			All peripheral operation: Normal*3	ICLK = 50 MHz		31.5	—	
			All peripheral operation: Max.*3	ICLK = 50 MHz		—	55	
		Sleep mode	No peripheral operation	ICLK = 50 MHz		7.5	—	
			All peripheral operation: Normal	ICLK = 50 MHz		17.5	—	
		All-module clock stop mode		ICLK = 50 MHz		6.7	—	
		Increase during BGO operation*4				25	—	

Note 1. Supply current values do not include output charge/discharge current from all pins. The values apply when internal pull-up MOSs are in the off state.

Note 2. Clock supply to the peripheral functions is stopped. This does not include BGO operation. The clock source is PLL and the VCO oscillation frequency is 100 MHz. BCLK, FCLK, and PCLK are set to divided by 64.

Note 3. Clocks are supplied to the peripheral functions. This does not include BGO operation. The clock source is PLL and the VCO oscillation frequency is 100 MHz. BCLK, FCLK, and PCLK are ICLK divided by 2.

Note 4. This is the increase if data is programmed to or erasing from the ROM or E2 DataFlash during program execution.

[Chip version C]

Table 42.10 DC Characteristics (9)Conditions: $V_{CC} = AVCC0 = 1.62$ to 5.5 V, $V_{SS} = AVSS0 = VREFL = VREFL0 = 0$ V, $T_a = -40$ to $+105^\circ\text{C}$

Item					Symbol	Typ.	Max.	Unit	Test Conditions	
Supply current*1	Middle-speed operating modes 1A and 1B	Normal operating mode	No peripheral operation	ICLK = 32 MHz*2	I_{CC}	7.0	—	mA		
				ICLK = 20 MHz*3		6.0	—			
			All peripheral operation: Normal	ICLK = 32 MHz*4		26	—			
				ICLK = 20 MHz*5		18.5	—			
				All peripheral operation: Max.		ICLK = 32 MHz*4	—			40
						ICLK = 20 MHz*5	—			30
		Sleep mode	No peripheral operation	ICLK = 32 MHz		5.0	—			
				ICLK = 20 MHz		4.6	—			
			All peripheral operation: Normal	ICLK = 32 MHz		15.5	—			
				ICLK = 20 MHz		12	—			
		All-module clock stop mode	ICLK = 32 MHz			4.5	—			
			ICLK = 20 MHz			4.5	—			
	Increase during BGO operation*6	Middle-speed operating mode 1A			25	—				
		Middle-speed operating mode 1B			20	—				
	Low-speed operating mode 1	Normal operating mode	No peripheral operation*7	ICLK = 1 MHz	0.68	—				
				All peripheral operation: Normal*8	ICLK = 1 MHz	2.4	—			
			All peripheral operation: Max. *8	ICLK = 1 MHz	—	7				
		Sleep mode	No peripheral operation	ICLK = 1 MHz	0.6	—				
				All peripheral operation: Normal	ICLK = 1 MHz	2	—			
		All-module clock stop mode			0.58	—				
		Low-speed operating mode 2	Normal operating mode	No peripheral operation*9	ICLK = 32 kHz	0.024	—			
All peripheral operation: Normal*10	ICLK = 32 kHz				0.05	—				
All peripheral operation: Max. *10	ICLK = 32 kHz			—	3*11					
Sleep mode	No peripheral operation		ICLK = 32 kHz	0.02	—					
			All peripheral operation: Normal	ICLK = 32 kHz	0.04	—				
All-module clock stop mode			0.018	—						

Note 1. Supply current values do not include output charge/discharge current from all pins. The values apply when internal pull-up MOSs are in the off state.

Note 2. Clock supply to the peripheral functions is stopped. This does not include BGO operation. The clock source is PLL and the VCO oscillation frequency is 64 MHz. BCLK, FCLK, and PCLK are set to divided by 64.

Note 3. Clock supply to the peripheral functions is stopped. This does not include BGO operation. The clock source is HOCO and the oscillation frequency is 40 MHz. BCLK, FCLK, and PCLK are set to divided by 64.

Note 4. Clocks are supplied to the peripheral functions. This does not include BGO operation. The clock source is PLL and the VCO oscillation frequency is 64 MHz. BCLK, FCLK, and PCLK are ICLK divided by 1.

Note 5. Clocks are supplied to the peripheral functions. This does not include BGO operation. The clock source is HOCO and the oscillation frequency is 40 MHz. BCLK, FCLK, and PCLK are ICLK divided by 1.

Note 6. This is the increase if data is programmed to or erasing from the ROM or E2 DataFlash during program execution.

Note 7. Clock supply to the peripheral functions is stopped. This does not include BGO operation. The clock source is HOCO and the oscillation frequency is 32 MHz. BCLK, FCLK, and PCLK are set to divided by 64.

Note 8. Clocks are supplied to the peripheral functions. This does not include BGO operation. The clock source is HOCO and the oscillation frequency is 32 MHz. BCLK, FCLK, and PCLK are ICLK divided by 1.

Note 9. Clock supply to the peripheral functions is stopped. This does not include BGO operation. The clock source is the sub oscillation circuit. BCLK, FCLK, and PCLK are set to divided by 64.

Note 10. Clocks are supplied to the peripheral functions. This does not include BGO operation. The clock source is the sub oscillation circuit. BCLK, FCLK, and PCLK are ICLK divided by 1.

Note 11. Value when the main clock continues oscillating at 12.5 MHz.

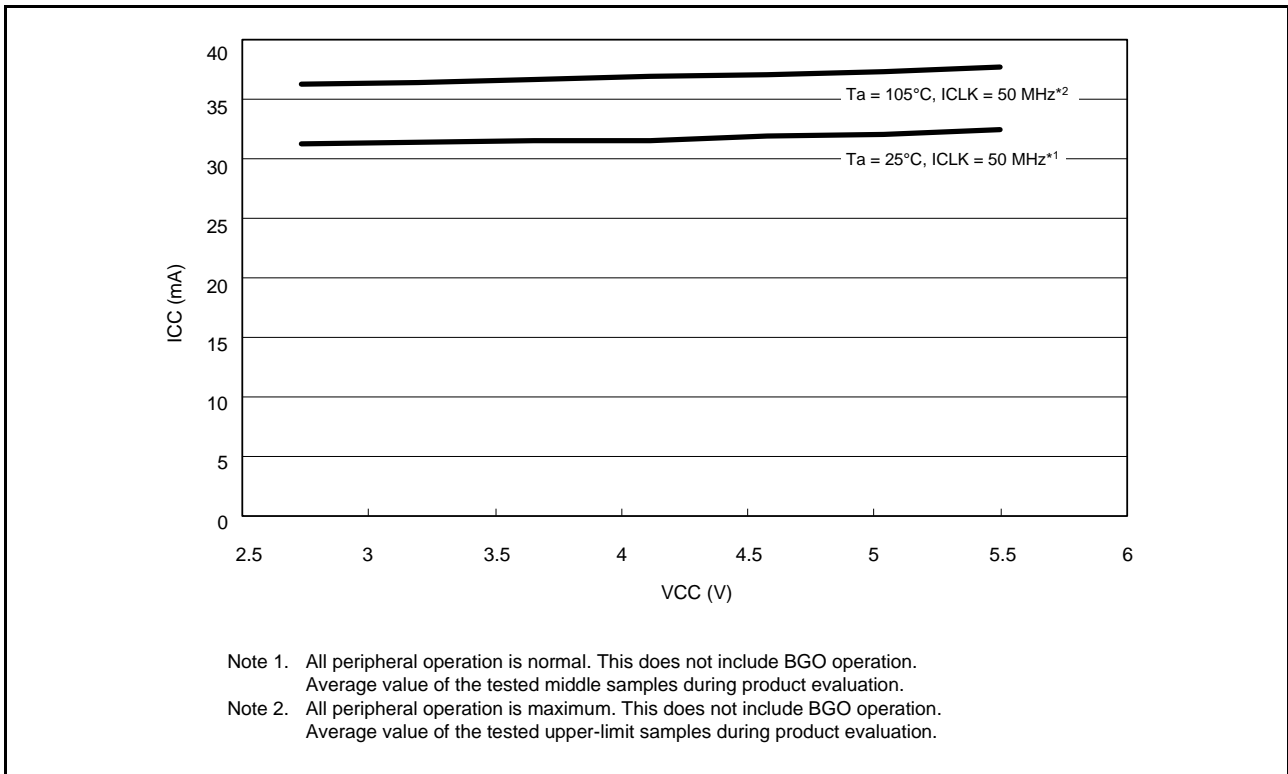


Figure 42.9 Voltage Dependency in High-Speed Operating Mode (Reference Data) for Chip Version C

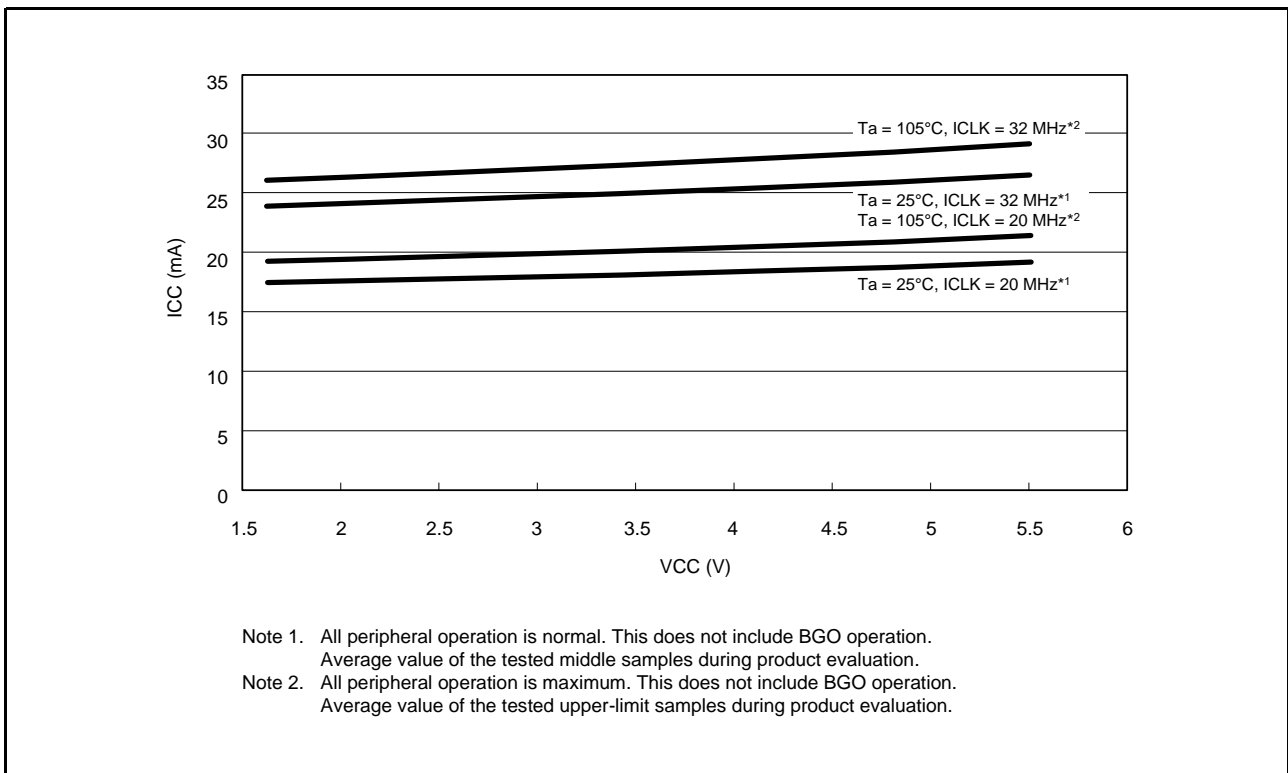


Figure 42.10 Voltage Dependency in Middle-Speed Operating Modes 1A and 1B (Reference Data) for Chip Version C

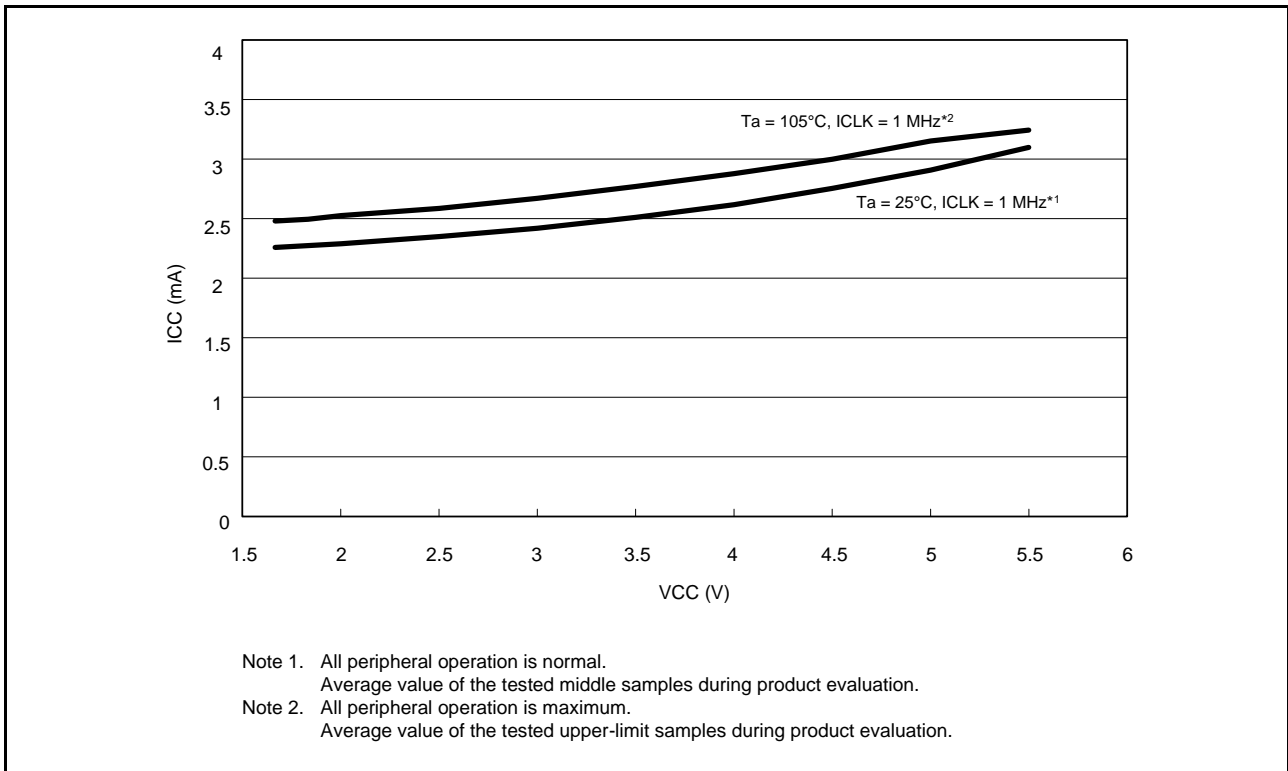


Figure 42.11 Voltage Dependency in Low-Speed Operating Mode 1 (Reference Data) for Chip Version C

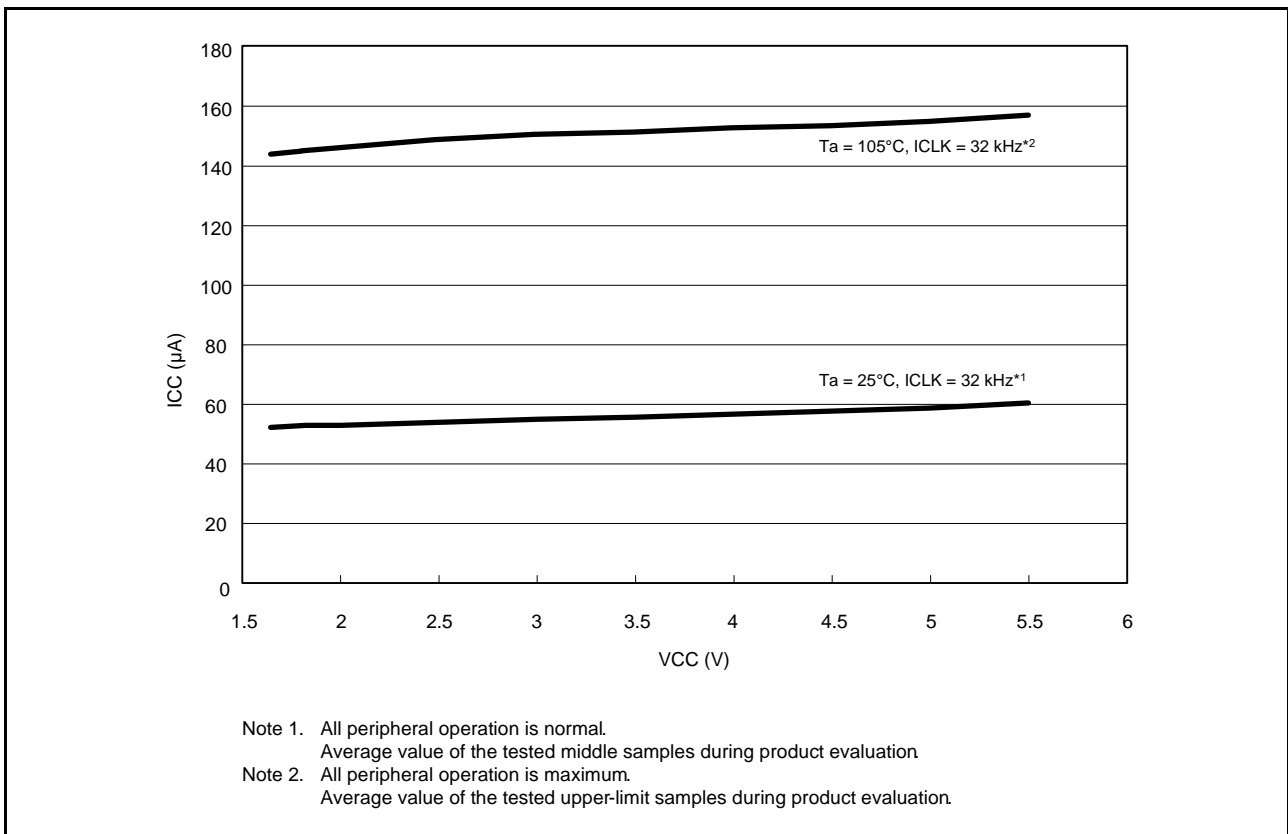


Figure 42.12 Voltage Dependency in Low-Speed Operating Mode 2 (Reference Data) for Chip Version C

[Chip version C]

Table 42.11 DC Characteristics (10)Conditions: $V_{CC} = AV_{CC0} = 1.62$ to 5.5 V, $V_{SS} = AV_{SS0} = 0$ V, $T_a = -40$ to $+105^\circ\text{C}$

Item			Symbol	Typ.*3	Max.	Unit	Test Conditions
Supply current*1	Software standby mode*2	Flash memory power supplied, HOCO power supplied, POR low power consumption function disabled (SOFTCUT[2:0] bits = 000b)	$T_a = 25^\circ\text{C}$	I_{CC}	160	—	μA
			$T_a = 55^\circ\text{C}$		188	—	
			$T_a = 85^\circ\text{C}$		220	—	
			$T_a = 105^\circ\text{C}$		250	—	
		Flash memory power supplied, HOCO power not supplied, POR low power consumption function enabled (SOFTCUT[2:0] bits = 110b)	$T_a = 25^\circ\text{C}$		2.6	10.5	
			$T_a = 55^\circ\text{C}$		3.8	22	
			$T_a = 85^\circ\text{C}$		9.0	80	
			$T_a = 105^\circ\text{C}$		20	150	
	Flash memory power not supplied, HOCO power not supplied, POR low power consumption function enabled (SOFTCUT[2:0] bits = 111b)	$T_a = 25^\circ\text{C}$	2.0	8.2			
		$T_a = 55^\circ\text{C}$	2.9	17			
		$T_a = 85^\circ\text{C}$	6.8	53			
		$T_a = 105^\circ\text{C}$	15	115			
	Deep software standby mode*2	Flash memory power not supplied, HOCO power not supplied, POR low power consumption function enabled (DEEPCUT1 bit = 1)	$T_a = 25^\circ\text{C}$	0.5	0.9		
			$T_a = 55^\circ\text{C}$	0.6	1.2		
			$T_a = 85^\circ\text{C}$	0.9	20		
$T_a = 105^\circ\text{C}$			1.8	25			
Increments produced by running voltage detection circuits and disabling the POR low power consumption function				1.4	—		
Increment for RTC operation (low CL)				0.8	—		
Increment for RTC operation (standard CL)				2.0	—		

Note 1. Supply current values are with all output pins unloaded and all input pull-up MOSs in the off state.

Note 2. The IWDTC and LVD are stopped.

Note 3. $V_{CC} = 3.3$ V.

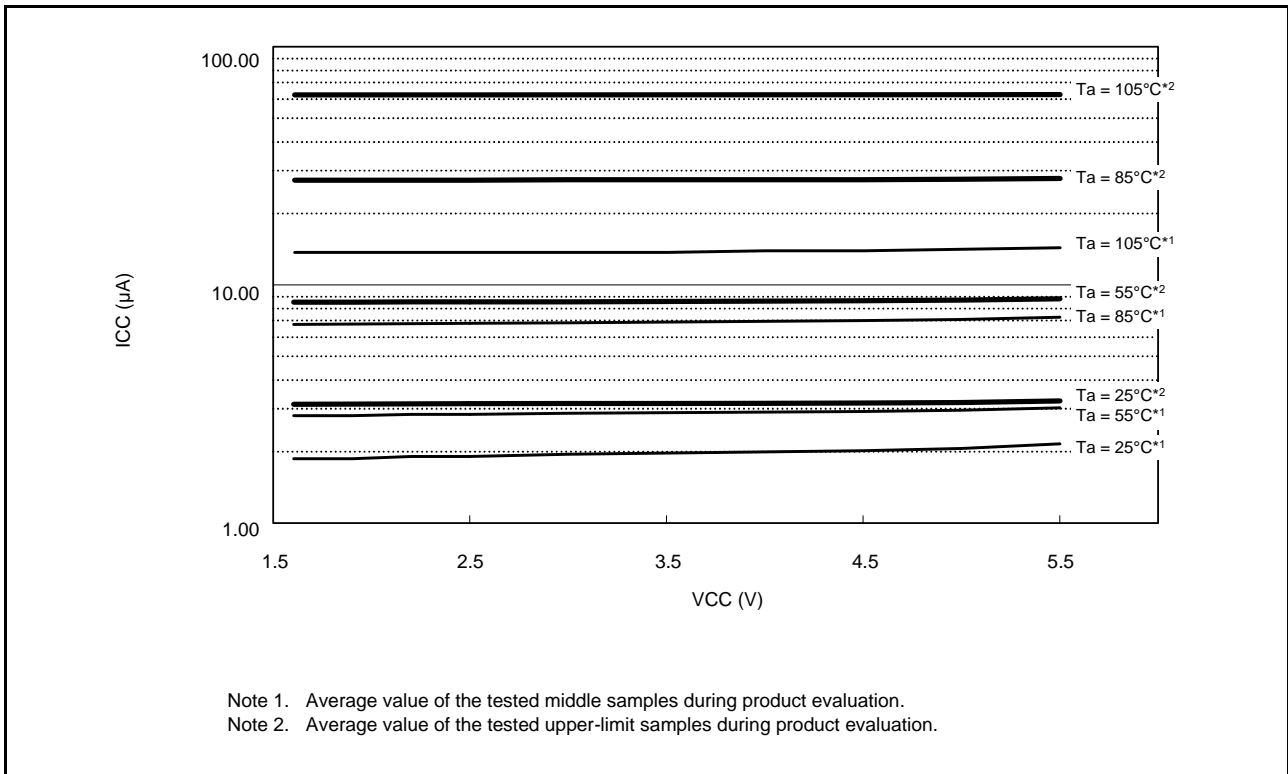


Figure 42.13 Voltage Dependency in Software Standby Mode (SOFTCUT[2:0] Bits = 111b) (Reference Data) for Chip Version C

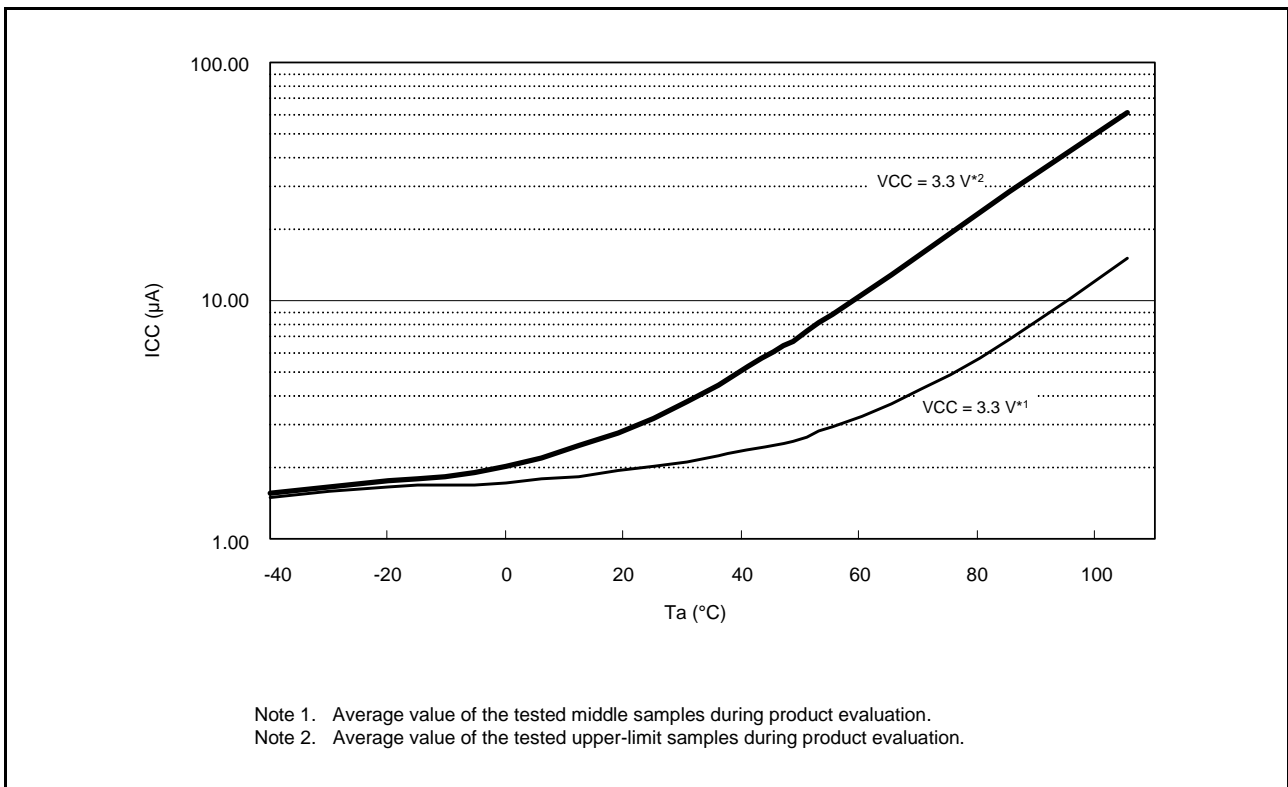


Figure 42.14 Temperature Dependency in Software Standby Mode (SOFTCUT[2:0] Bits = 111b) (Reference Data) for Chip Version C

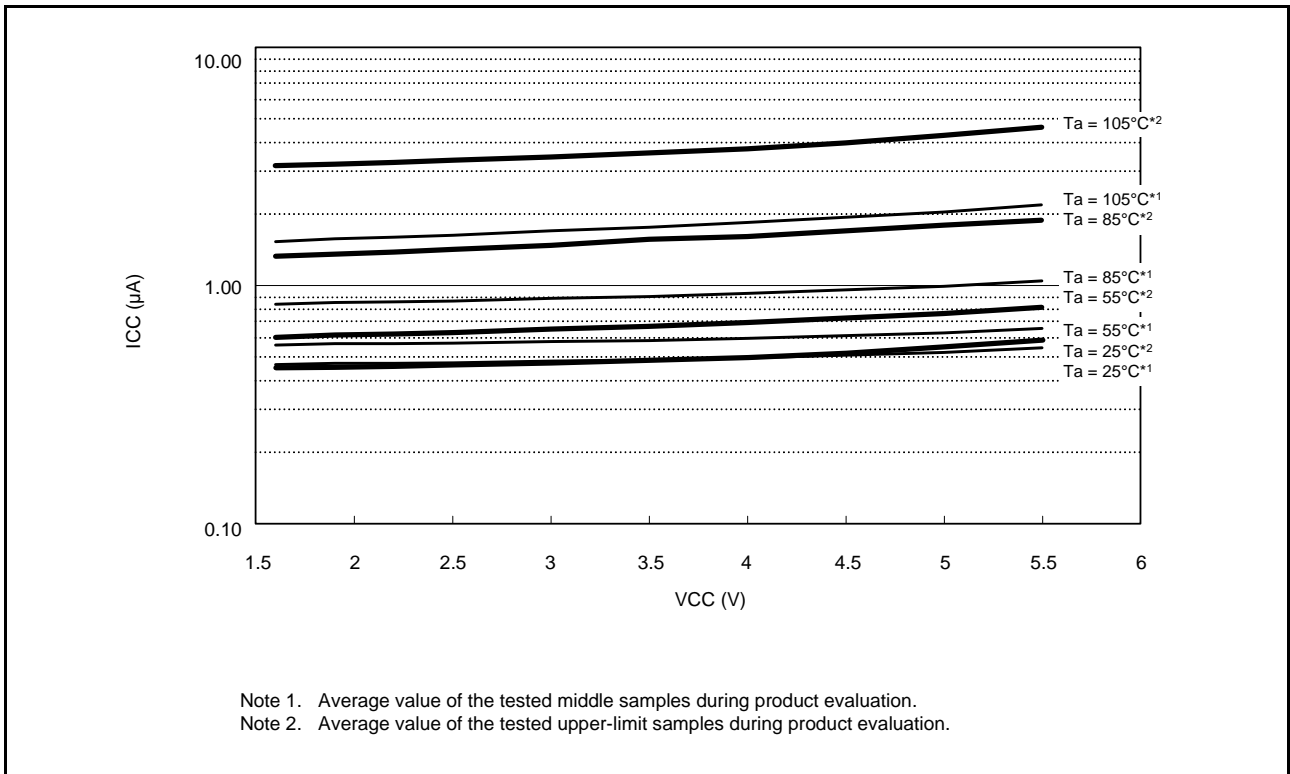


Figure 42.15 Voltage Dependency in Deep Software Standby Mode (DEEPCUT1 Bit = 1) (Reference Data) for Chip Version C

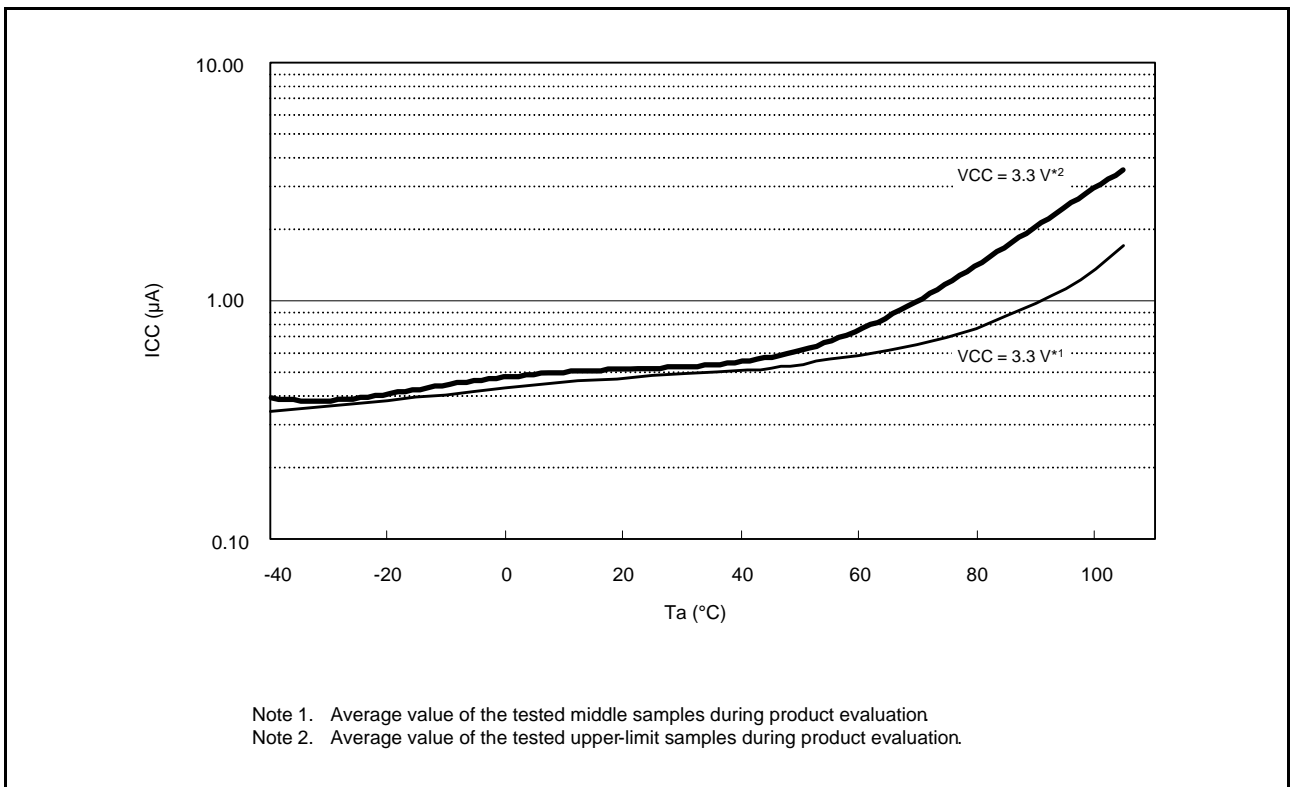


Figure 42.16 Temperature Dependency in Deep Software Standby Mode (DEEPCUT1 Bit = 1) (Reference Data) for Chip Version C

[Chip version B with 256 Kbytes or less of flash memory and 48 to 100 pins]

Table 42.12 DC Characteristics (11)

Conditions: $V_{CC} = AV_{CC0} = 2.7$ to 5.5 V, $V_{SS} = AV_{SS0} = V_{REFL} = V_{REFL0} = 0$ V, $T_a = -40$ to $+105^\circ\text{C}$

Item				Symbol	Typ.	Max.	Unit	Test Conditions
Supply current*1	High-speed operating mode	Normal operating mode	No peripheral operation*2	I_{CC}	7.2	—	mA	
			All peripheral operation: Normal*3		23.5	—		
			All peripheral operation: Max.*3		—	45		
		Sleep mode	No peripheral operation		4.3	—		
			All peripheral operation: Normal		12	—		
		All-module clock stop mode			3.7	—		
		Increase during BGO operation*4			20	—		

Note 1. Supply current values do not include output charge/discharge current from all pins. The values apply when internal pull-up MOSs are in the off state.

Note 2. Clock supply to the peripheral functions is stopped. This does not include BGO operation. The clock source is PLL and the VCO oscillation frequency is 100 MHz. BCLK, FCLK, and PCLK are set to divided by 64.

Note 3. Clocks are supplied to the peripheral functions. This does not include BGO operation. The clock source is PLL and the VCO oscillation frequency is 100 MHz. BCLK, FCLK, and PCLK are ICLK divided by 2.

Note 4. This is the increase if data is programmed to or erasing from the ROM or E2 DataFlash during program execution.

[Chip version B with 256 Kbytes or less of flash memory and 48 to 100 pins]

Table 42.13 DC Characteristics (12)Conditions: $V_{CC} = AV_{CC0} = 1.62$ to 5.5 V, $V_{SS} = AV_{SS0} = V_{REFL} = V_{REFL0} = 0$ V, $T_a = -40$ to $+105^\circ\text{C}$

Item					Symbol	Typ.	Max.	Unit	Test Conditions	
Supply current*1	Middle-speed operating modes 1A and 1B	Normal operating mode	No peripheral operation	ICLK = 32 MHz*2	I_{CC}	5.3	—	mA		
				ICLK = 20 MHz*3		4.6	—			
			All peripheral operation: Normal	ICLK = 32 MHz*4		20.1	—			
				ICLK = 20 MHz*5		14.3	—			
				All peripheral operation: Max.		ICLK = 32 MHz*4	—			35
						ICLK = 20 MHz*5	—			—
		Sleep mode	No peripheral operation	ICLK = 32 MHz		3.4	—			
				ICLK = 20 MHz		3.3	—			
			All peripheral operation: Normal	ICLK = 32 MHz		11.5	—			
				ICLK = 20 MHz		9	—			
		All-module clock stop mode		ICLK = 32 MHz		3	—			
				ICLK = 20 MHz		3	—			
	Increase during BGO operation*6	Middle-speed operating mode 1A			17	—				
				Middle-speed operating mode 1B			17	—		
	Middle-speed operating modes 2A and 2B	Normal operating mode	No peripheral operation*2			ICLK = 32 MHz	4.7	—		
				ICLK = 16 MHz	3.4	—				
				ICLK = 8 MHz	2.7	—				
			All peripheral operation: Normal*4	ICLK = 32 MHz	19.6	—				
				ICLK = 16 MHz	11.3	—				
				ICLK = 8 MHz	7.2	—				
			All peripheral operation: Max.*4	ICLK = 32 MHz	—	34				
				ICLK = 16 MHz	—	—				
				ICLK = 8 MHz	—	—				
		Sleep mode	No peripheral operation	ICLK = 32 MHz	2.8	—				
ICLK = 16 MHz				2.5	—					
ICLK = 8 MHz				2.2	—					
All peripheral operation: Normal			ICLK = 32 MHz	11	—					
			ICLK = 16 MHz	7.2	—					
			ICLK = 8 MHz	5.3	—					
All-module clock stop mode		ICLK = 32 MHz	2.4	—						
		ICLK = 16 MHz	2.2	—						
		ICLK = 8 MHz	2.1	—						
Increase during BGO operation*6	Middle-speed operating mode 1A			17	—					
			Middle-speed operating mode 1B			17	—			

Item					Symbol	Typ.	Max.	Unit	Test Conditions
Supply current*1	Low-speed operating mode 1	Normal operating mode	No peripheral operation*7	ICLK = 8 MHz	I _{CC}	2	—	mA	
				ICLK = 4 MHz		1.6	—		
				ICLK = 2 MHz		1.5	—		
			All peripheral operation: Normal*8	ICLK = 8 MHz		6	—		
				ICLK = 4 MHz		3.8	—		
				ICLK = 2 MHz		2.8	—		
		All peripheral operation: Max.*8	ICLK = 8 MHz	—		12			
			ICLK = 4 MHz	—		—			
			ICLK = 2 MHz	—		—			
		Sleep mode	No peripheral operation	ICLK = 8 MHz		1.5	—		
				ICLK = 4 MHz		1.4	—		
				ICLK = 2 MHz		1.3	—		
			All peripheral operation: Normal	ICLK = 8 MHz		3.6	—		
				ICLK = 4 MHz		2.7	—		
	ICLK = 2 MHz			2.2	—				
	All-module clock stop mode	ICLK = 8 MHz	1.4	—					
		ICLK = 4 MHz	1.3	—					
		ICLK = 2 MHz	1.2	—					
	Low-speed operating mode 2	Normal operating mode	No peripheral operation*9	ICLK = 32 kHz	0.021	—			
			All peripheral operation: Normal*10	ICLK = 32 kHz	0.05	—			
All peripheral operation: Max.*10				—	3*11				
Sleep mode		No peripheral operation	ICLK = 32 kHz	0.017	—				
		All peripheral operation: Normal	ICLK = 32 kHz	0.034	—				
All-module clock stop mode			0.016	—					

Note 1. Supply current values do not include output charge/discharge current from all pins. The values apply when internal pull-up MOSs are in the off state.

Note 2. Clock supply to the peripheral functions is stopped. This does not include BGO operation. The clock source is PLL and the VCO oscillation frequency is 64 MHz. BCLK, FCLK, and PCLK are set to divided by 64.

Note 3. Clock supply to the peripheral functions is stopped. This does not include BGO operation. The clock source is HOCO and the oscillation frequency is 40 MHz. BCLK, FCLK, and PCLK are set to divided by 64.

Note 4. Clocks are supplied to the peripheral functions. This does not include BGO operation. The clock source is PLL and the VCO oscillation frequency is 64 MHz. BCLK, FCLK, and PCLK are ICLK divided by 1.

Note 5. Clocks are supplied to the peripheral functions. This does not include BGO operation. The clock source is HOCO and the oscillation frequency is 40 MHz. BCLK, FCLK, and PCLK are ICLK divided by 1.

Note 6. This is the increase if data is programmed to or erasing from the ROM or E2 DataFlash during program execution.

Note 7. Clock supply to the peripheral functions is stopped. This does not include BGO operation. The clock source is HOCO and the oscillation frequency is 32 MHz. BCLK, FCLK, and PCLK are set to divided by 64.

Note 8. Clocks are supplied to the peripheral functions. This does not include BGO operation. The clock source is HOCO and the oscillation frequency is 32 MHz. BCLK, FCLK, and PCLK are ICLK divided by 1.

Note 9. Clock supply to the peripheral functions is stopped. This does not include BGO operation. The clock source is the sub oscillation circuit. BCLK, FCLK, and PCLK are set to divided by 64.

Note 10. Clocks are supplied to the peripheral functions. This does not include BGO operation. The clock source is the sub oscillation circuit. BCLK, FCLK, and PCLK are ICLK divided by 1.

Note 11. Value when the main clock continues oscillating at 12.5 MHz.

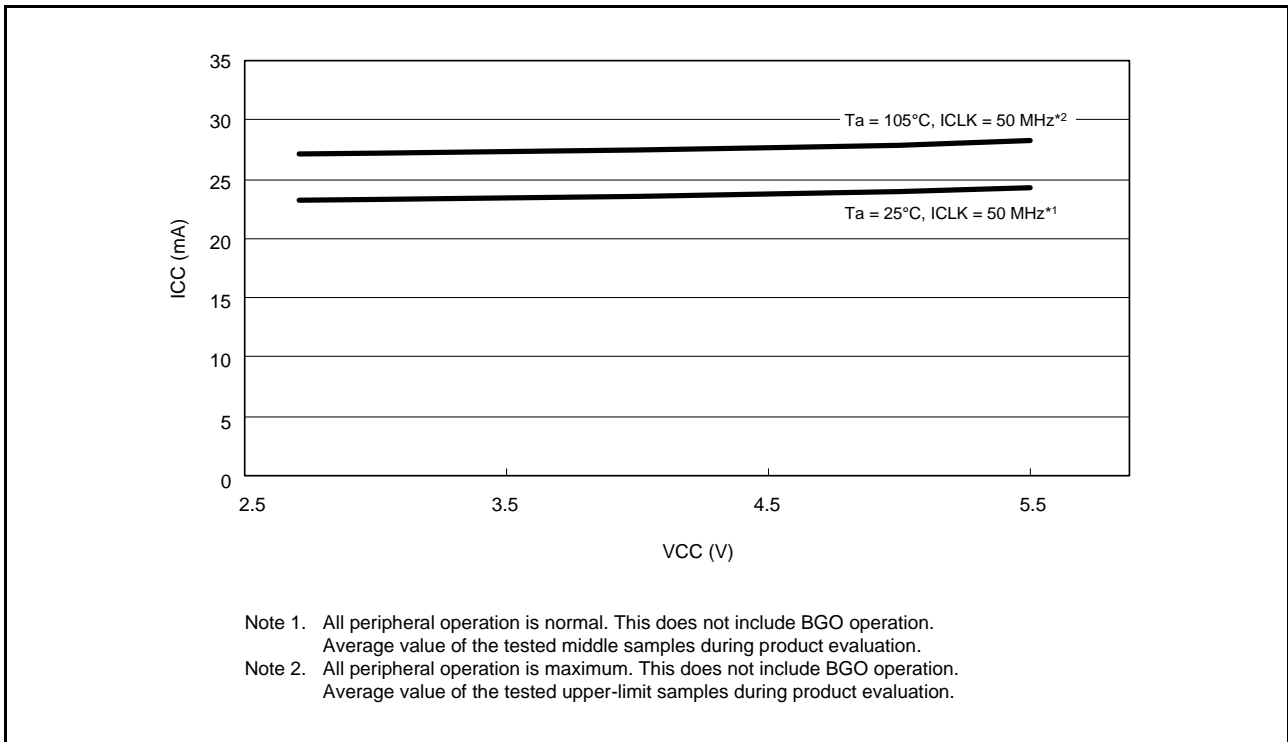


Figure 42.17 Voltage Dependency in High-Speed Operating Mode (Reference Data) for Chip Version B with 256 Kbytes or Less of Flash Memory and 48 to 100 Pins

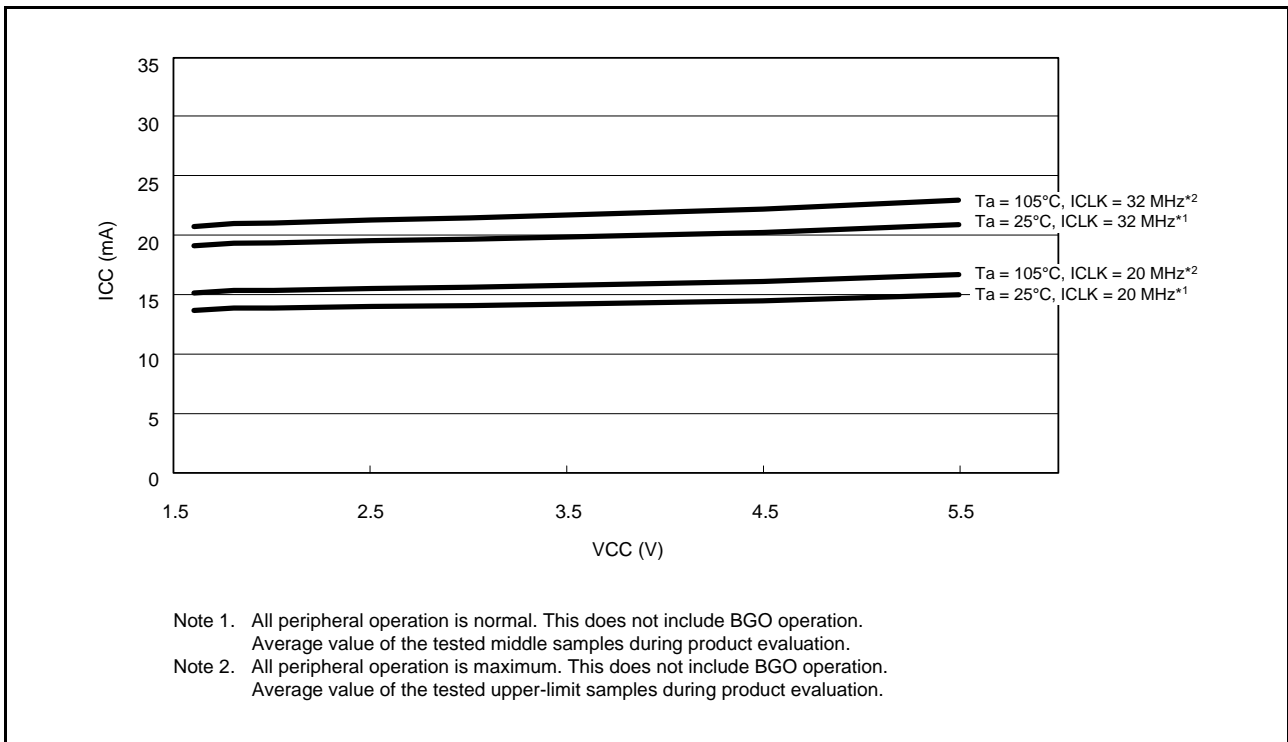


Figure 42.18 Voltage Dependency in Middle-Speed Operating Modes 1A and 1B (Reference Data) for Chip Version B with 256 Kbytes or Less of Flash Memory and 48 to 100 Pins

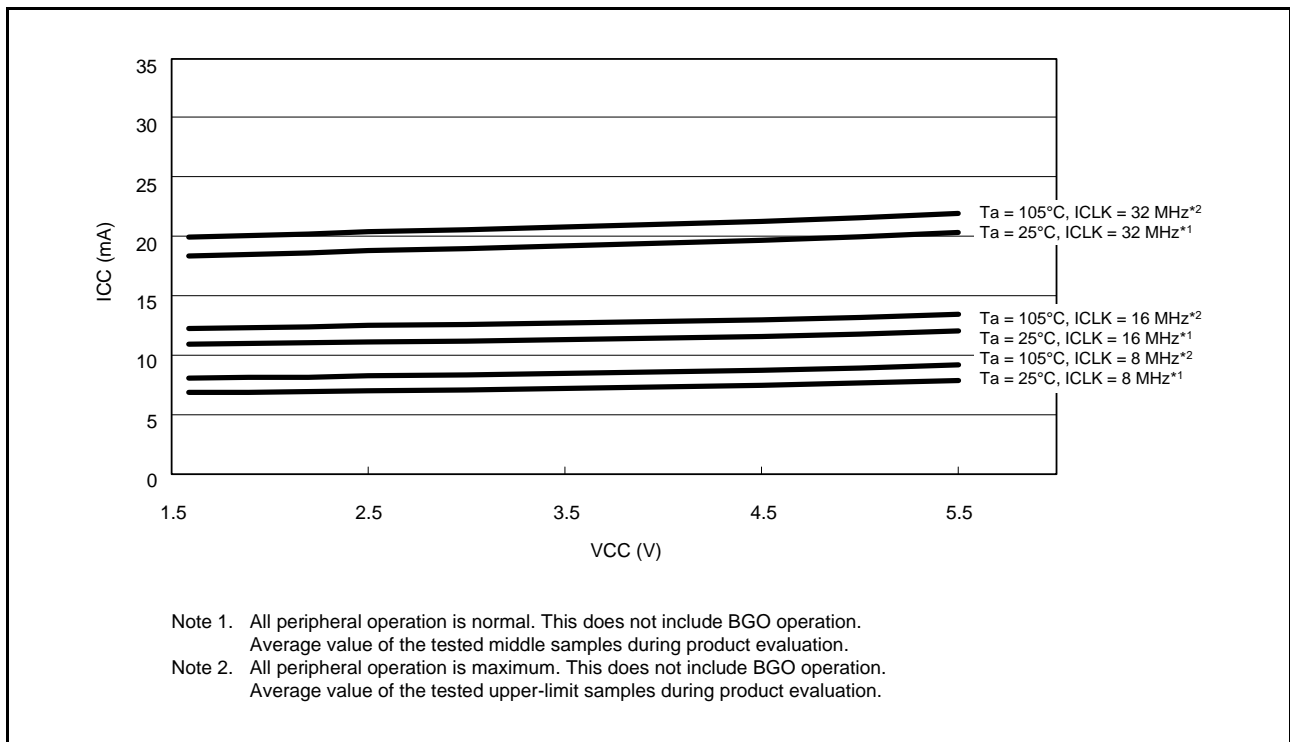


Figure 42.19 Voltage Dependency in Middle-Speed Operating Modes 2A and 2B (Reference Data) for Chip Version B with 256 Kbytes or Less of Flash Memory and 48 to 100 Pins

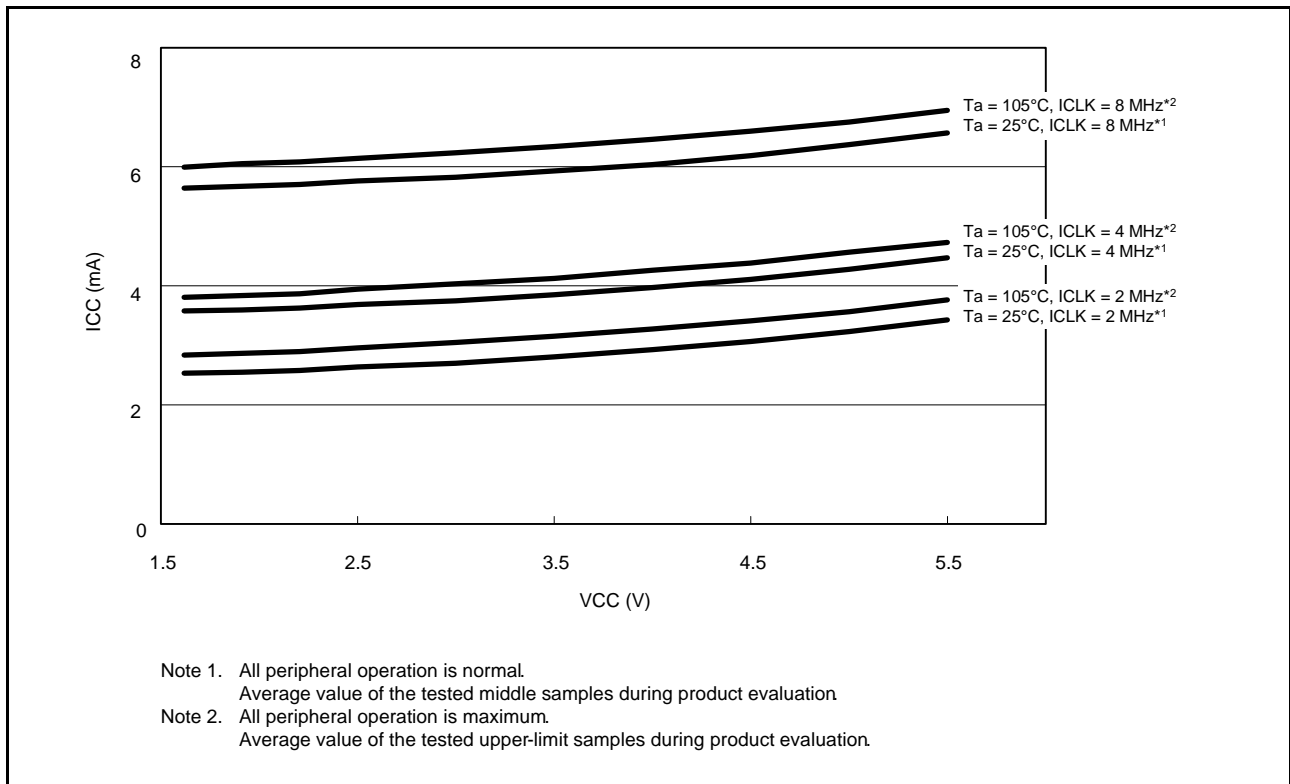


Figure 42.20 Voltage Dependency in Low-Speed Operating Mode 1 (Reference Data) for Chip Version B with 256 Kbytes or Less of Flash Memory and 48 to 100 Pins

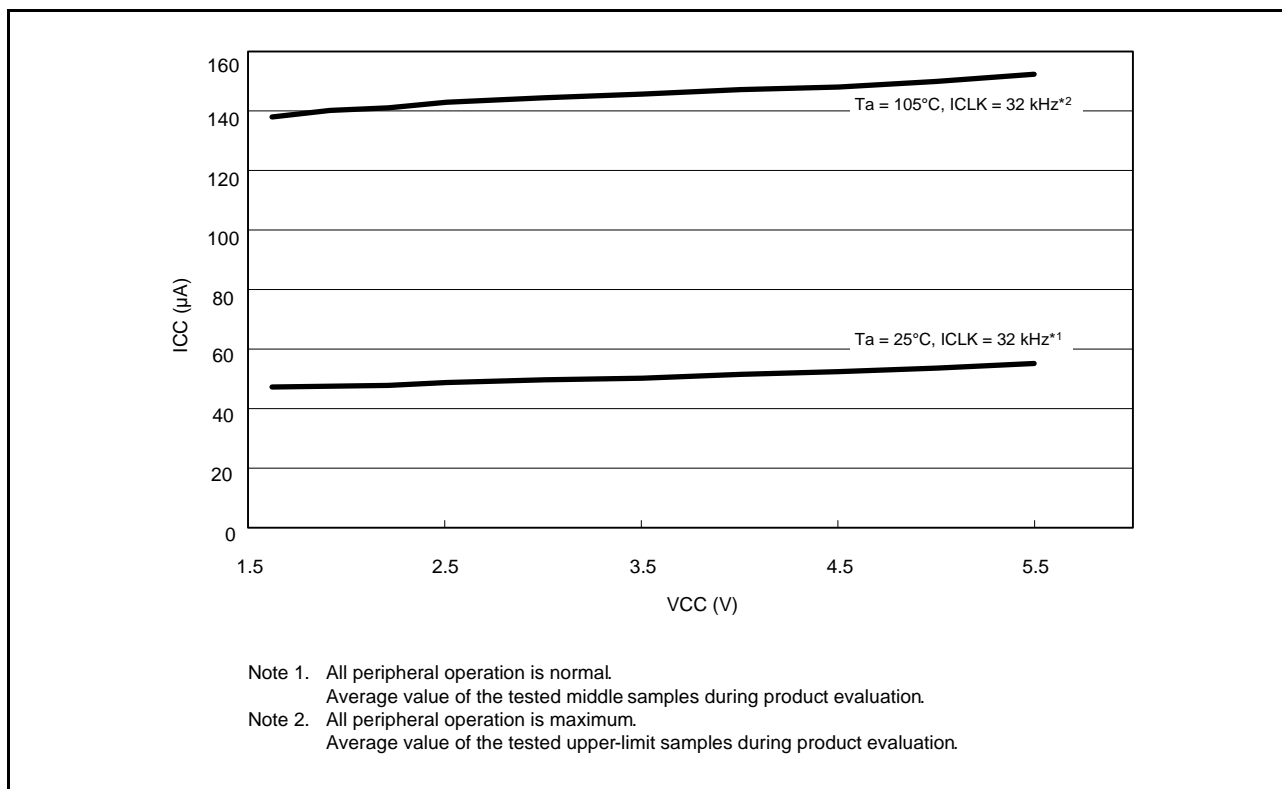


Figure 42.21 Voltage Dependency in Low-Speed Operating Mode 2 (Reference Data) for Chip Version B with 256 Kbytes or Less of Flash Memory and 48 to 100 Pins

[Chip version B with 256 Kbytes or less of flash memory and 48 to 100 pins]

Table 42.14 DC Characteristics (13)

Conditions: $V_{CC} = AV_{CC0} = 1.62$ to 5.5 V, $V_{SS} = AV_{SS0} = 0$ V, $T_a = -40$ to $+105^\circ\text{C}$

Item			Symbol	Typ.*3	Max.	Unit	Test Conditions	
Supply current*1	Software standby mode*2	Flash memory power supplied, HOCO power supplied, POR low power consumption function disabled (SOFTCUT[2:0] bits = 000b)	$T_a = 25^\circ\text{C}$	I_{CC}	10	18	μA	
			$T_a = 55^\circ\text{C}$		13	35		
			$T_a = 85^\circ\text{C}$		20	81		
			$T_a = 105^\circ\text{C}$		34	154		
		Flash memory power supplied, HOCO power not supplied, POR low power consumption function enabled (SOFTCUT[2:0] bits = 110b)	$T_a = 25^\circ\text{C}$		1.8	7.7		
			$T_a = 55^\circ\text{C}$		3.3	20		
			$T_a = 85^\circ\text{C}$		9.2	60		
			$T_a = 105^\circ\text{C}$		20	124		
	Deep software standby mode*2	Flash memory power not supplied, HOCO power not supplied, POR low power consumption function enabled (DEEPCUT1 bit = 1)	$T_a = 25^\circ\text{C}$	0.4	0.8			
			$T_a = 55^\circ\text{C}$	0.5	1.0			
			$T_a = 85^\circ\text{C}$	0.7	2.5			
			$T_a = 105^\circ\text{C}$	1.4	6.3			
	Increments produced by running voltage detection circuits and disabling the POR low power consumption function				1.4	—		
	Increment for RTC operation (low CL)				0.8	—		
Increment for RTC operation (standard CL)				2.0	—			

Note 1. Supply current values are with all output pins unloaded and all input pull-up MOSs in the off state.

Note 2. The IWDT and LVD are stopped.

Note 3. $V_{CC} = 3.3$ V.

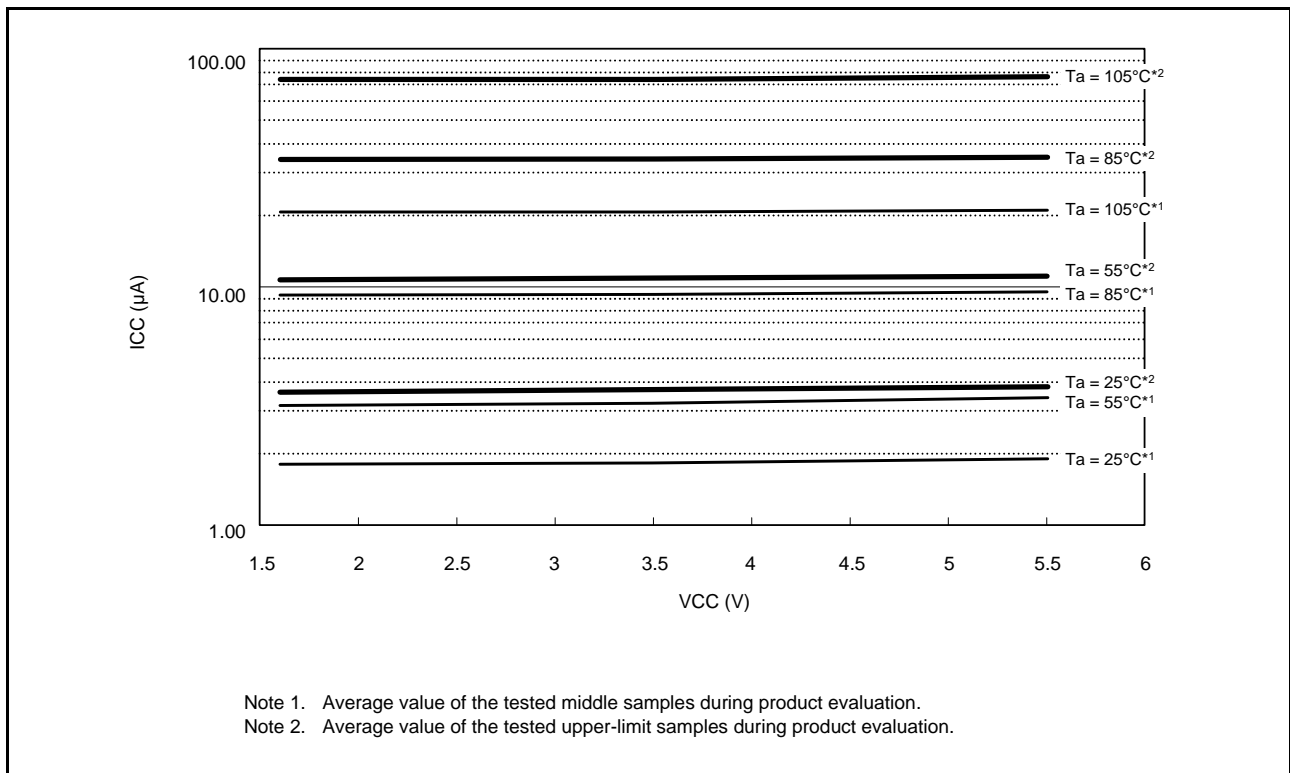


Figure 42.22 Voltage Dependency in Software Standby Mode (SOFTCUT[2:0] Bits = 110b) (Reference Data) for Chip Version B with 256 Kbytes or Less of Flash Memory and 48 to 100 Pins

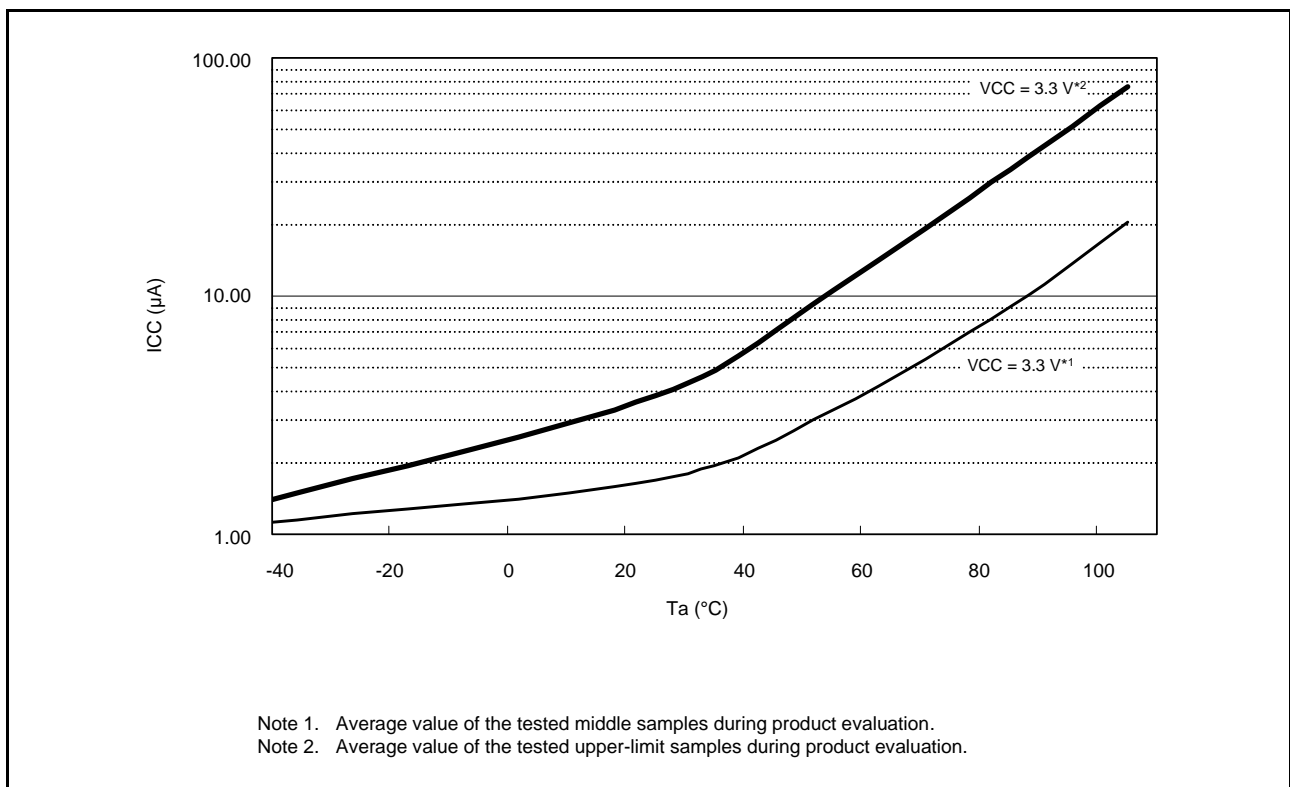


Figure 42.23 Temperature Dependency in Software Standby Mode (SOFTCUT[2:0] Bits = 110b) (Reference Data) for Chip Version B with 256 Kbytes or Less of Flash Memory and 48 to 100 Pins

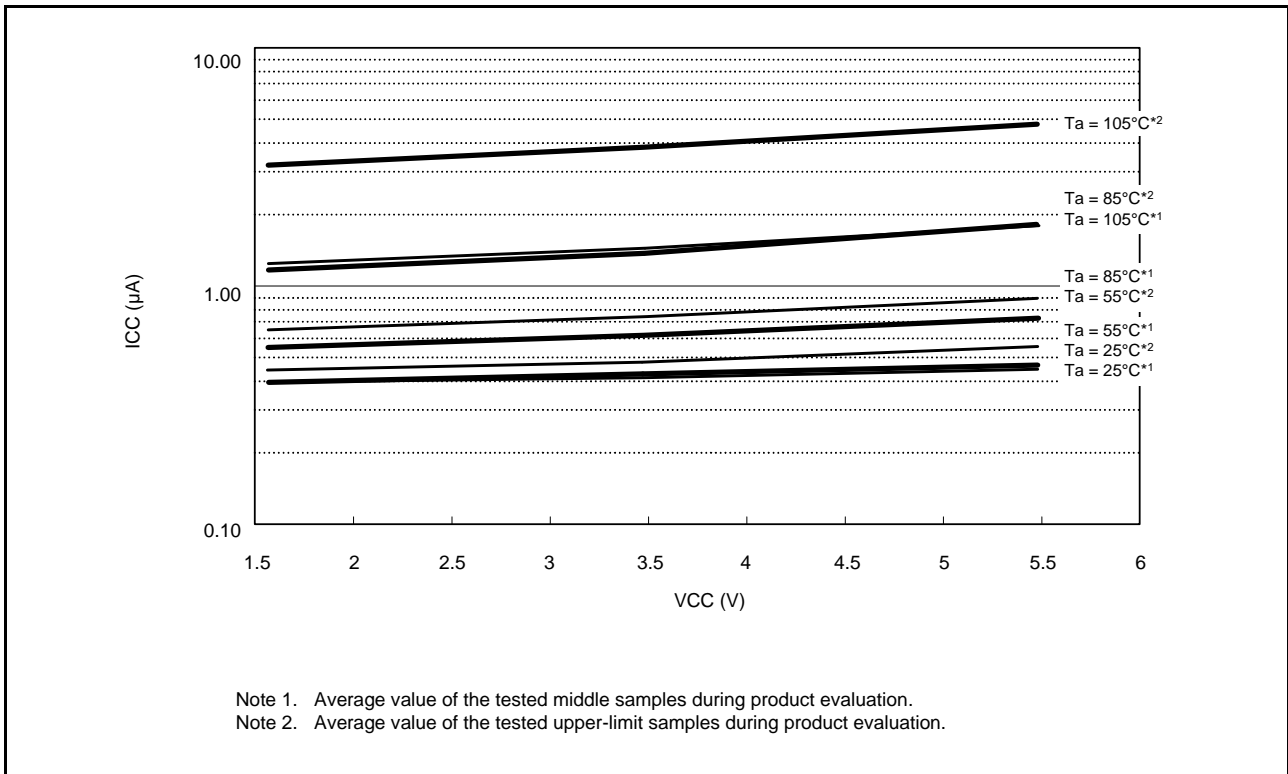


Figure 42.24 Voltage Dependency in Deep Software Standby Mode (DEEPCUT1 Bit = 1) (Reference Data) for Chip Version B with 256 Kbytes or Less of Flash Memory and 48 to 100 Pins

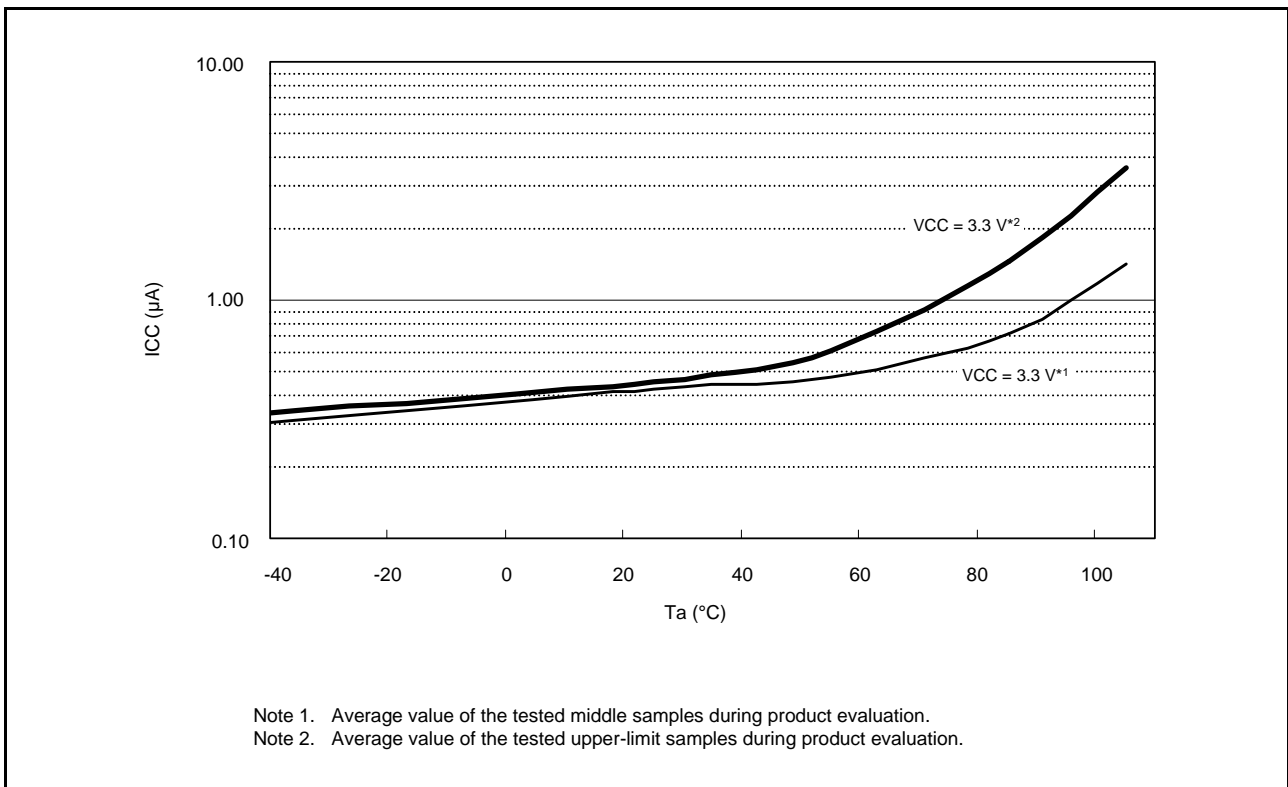


Figure 42.25 Temperature Dependency in Deep Software Standby Mode (DEEPCUT1 Bit = 1) (Reference Data) for Chip Version B with 256 Kbytes or Less of Flash Memory and 48 to 100 Pins

[Chip version B with 768 Kbytes/1 Mbyte of flash memory and 100 to 145 pins]

Table 42.15 DC Characteristics (14)

Conditions: $V_{CC} = AV_{CC0} = 2.7$ to 5.5 V, $V_{SS} = AV_{SS0} = V_{REFL} = V_{REFL0} = 0$ V, $T_a = -40$ to $+105^\circ\text{C}$

Item				Symbol	Typ.	Max.	Unit	Test Conditions	
Supply current*1	High-speed operating mode	Normal operating mode	No peripheral operation*2	ICLK = 50 MHz	I _{CC}	7.8	—	mA	
			All peripheral operation: Normal*3	ICLK = 50 MHz		29.8	—		
			All peripheral operation: Max.*3	ICLK = 50 MHz		—	45		
		Sleep mode	No peripheral operation	ICLK = 50 MHz		4.3	—		
			All peripheral operation: Normal	ICLK = 50 MHz		13.5	—		
		All-module clock stop mode					3.7		—
		Increase during BGO operation*4					23		—

Note 1. Supply current values do not include output charge/discharge current from all pins. The values apply when internal pull-up MOSs are in the off state.

Note 2. Clock supply to the peripheral functions is stopped. This does not include BGO operation. The clock source is PLL and the VCO oscillation frequency is 100 MHz. BCLK, FCLK, and PCLK are set to divided by 64.

Note 3. Clocks are supplied to the peripheral functions. This does not include BGO operation. The clock source is PLL and the VCO oscillation frequency is 100 MHz. BCLK, FCLK, and PCLK are ICLK divided by 2.

Note 4. This is the increase if data is programmed to or erasing from the ROM or E2 DataFlash during program execution.

[Chip version B with 768 Kbytes/1 Mbyte of flash memory and 100 to 145 pins]

Table 42.16 DC Characteristics (15)

Conditions: VCC = AVCC0 = 1.62 to 5.5 V, VSS = AVSS0 = VREFL = VREFL0 = 0 V, Ta = -40 to +105°C

Item				Symbol	Typ.	Max.	Unit	Test Conditions	
Supply current*1	Middle-speed operating modes 1A and 1B	Normal operating mode	No peripheral operation	ICLK = 32 MHz*2	5.6	—	mA		
				ICLK = 20 MHz*3	4.6	—			
			All peripheral operation: Normal	ICLK = 32 MHz*4	25.5	—			
				ICLK = 20 MHz*5	17.6	—			
				All peripheral operation: Max.	ICLK = 32 MHz*4	—			35
					ICLK = 20 MHz*5	—			—
		Sleep mode	No peripheral operation	ICLK = 32 MHz	3.4	—			
				ICLK = 20 MHz	3.3	—			
			All peripheral operation: Normal	ICLK = 32 MHz	13.4	—			
				ICLK = 20 MHz	10.2	—			
		All-module clock stop mode	ICLK = 32 MHz		3	—			
			ICLK = 20 MHz		3	—			
	Increase during BGO operation*6	Middle-speed operating mode 1A		23	—				
		Middle-speed operating mode 1B		20	—				
	Middle-speed operating modes 2A and 2B	Normal operating mode	No peripheral operation*2	ICLK = 32 MHz	5.1	—			
				ICLK = 16 MHz	3.5	—			
				ICLK = 8 MHz	2.7	—			
				All peripheral operation: Normal*4	ICLK = 32 MHz	25	—		
					ICLK = 16 MHz	14	—		
					ICLK = 8 MHz	8.5	—		
			All peripheral operation: Max.*4	ICLK = 32 MHz	—	34			
				ICLK = 16 MHz	—	—			
				ICLK = 8 MHz	—	—			
			Sleep mode	No peripheral operation	ICLK = 32 MHz	2.9	—		
ICLK = 16 MHz					2.5	—			
ICLK = 8 MHz					2.2	—			
All peripheral operation: Normal		ICLK = 32 MHz		13	—				
		ICLK = 16 MHz		8.2	—				
		ICLK = 8 MHz		5.8	—				
All-module clock stop mode		ICLK = 32 MHz		2.5	—				
		ICLK = 16 MHz		2.2	—				
		ICLK = 8 MHz		2.1	—				
Increase during BGO operation*6		Middle-speed operating mode 1A		23	—				
		Middle-speed operating mode 1B		20	—				

Item					Symbol	Typ.	Max.	Unit	Test Conditions
Supply current*1	Low-speed operating mode 1	Normal operating mode	No peripheral operation*7	ICLK = 8 MHz	I _{CC}	2.1	—	mA	
				ICLK = 4 MHz		1.7	—		
				ICLK = 2 MHz		1.5	—		
			All peripheral operation: Normal*8	ICLK = 8 MHz		7.3	—		
				ICLK = 4 MHz		4.5	—		
				ICLK = 2 MHz		3.1	—		
		All peripheral operation: Max.*7	ICLK = 8 MHz	—		12			
			ICLK = 4 MHz	—		—			
			ICLK = 2 MHz	—		—			
		Sleep mode	No peripheral operation	ICLK = 8 MHz		1.5	—		
				ICLK = 4 MHz		1.4	—		
				ICLK = 2 MHz		1.3	—		
			All peripheral operation: Normal	ICLK = 8 MHz		4.1	—		
				ICLK = 4 MHz		3.0	—		
	ICLK = 2 MHz			2.3	—				
	All-module clock stop mode	ICLK = 8 MHz	1.4	—					
		ICLK = 4 MHz	1.3	—					
		ICLK = 2 MHz	1.2	—					
	Low-speed operating mode 2	Normal operating mode	No peripheral operation*9	ICLK = 32 kHz	0.022	—			
				All peripheral operation: Normal*10	ICLK = 32 kHz	0.06	—		
All peripheral operation: Max.*10			ICLK = 32 kHz	—	3*11				
Sleep mode		No peripheral operation	ICLK = 32 kHz	0.017	—				
			All peripheral operation: Normal	ICLK = 32 kHz	0.036	—			
All-module clock stop mode		ICLK = 32 kHz	0.017	—					

- Note 1. Supply current values do not include output charge/discharge current from all pins. The values apply when internal pull-up MOSs are in the off state.
- Note 2. Clock supply to the peripheral functions is stopped. This does not include BGO operation. The clock source is PLL and the VCO oscillation frequency is 64 MHz. BCLK, FCLK, and PCLK are set to divided by 64.
- Note 3. Clock supply to the peripheral functions is stopped. This does not include BGO operation. The clock source is HOCO and the oscillation frequency is 40 MHz. BCLK, FCLK, and PCLK are set to divided by 64.
- Note 4. Clocks are supplied to the peripheral functions. This does not include BGO operation. The clock source is PLL and the VCO oscillation frequency is 64 MHz. BCLK, FCLK, and PCLK are ICLK divided by 1.
- Note 5. Clocks are supplied to the peripheral functions. This does not include BGO operation. The clock source is HOCO and the oscillation frequency is 40 MHz. BCLK, FCLK, and PCLK are ICLK divided by 1.
- Note 6. This is the increase if data is programmed to or erasing from the ROM or E2 DataFlash during program execution.
- Note 7. Clock supply to the peripheral functions is stopped. This does not include BGO operation. The clock source is HOCO and the oscillation frequency is 32 MHz. BCLK, FCLK, and PCLK are set to divided by 64.
- Note 8. Clocks are supplied to the peripheral functions. This does not include BGO operation. The clock source is HOCO and the oscillation frequency is 32 MHz. BCLK, FCLK, and PCLK are ICLK divided by 1.
- Note 9. Clock supply to the peripheral functions is stopped. This does not include BGO operation. The clock source is the sub oscillation circuit. BCLK, FCLK, and PCLK are set to divided by 64.
- Note 10. Clocks are supplied to the peripheral functions. This does not include BGO operation. The clock source is the sub oscillation circuit. BCLK, FCLK, and PCLK are ICLK divided by 1.
- Note 11. Value when the main clock continues oscillating at 12.5 MHz.

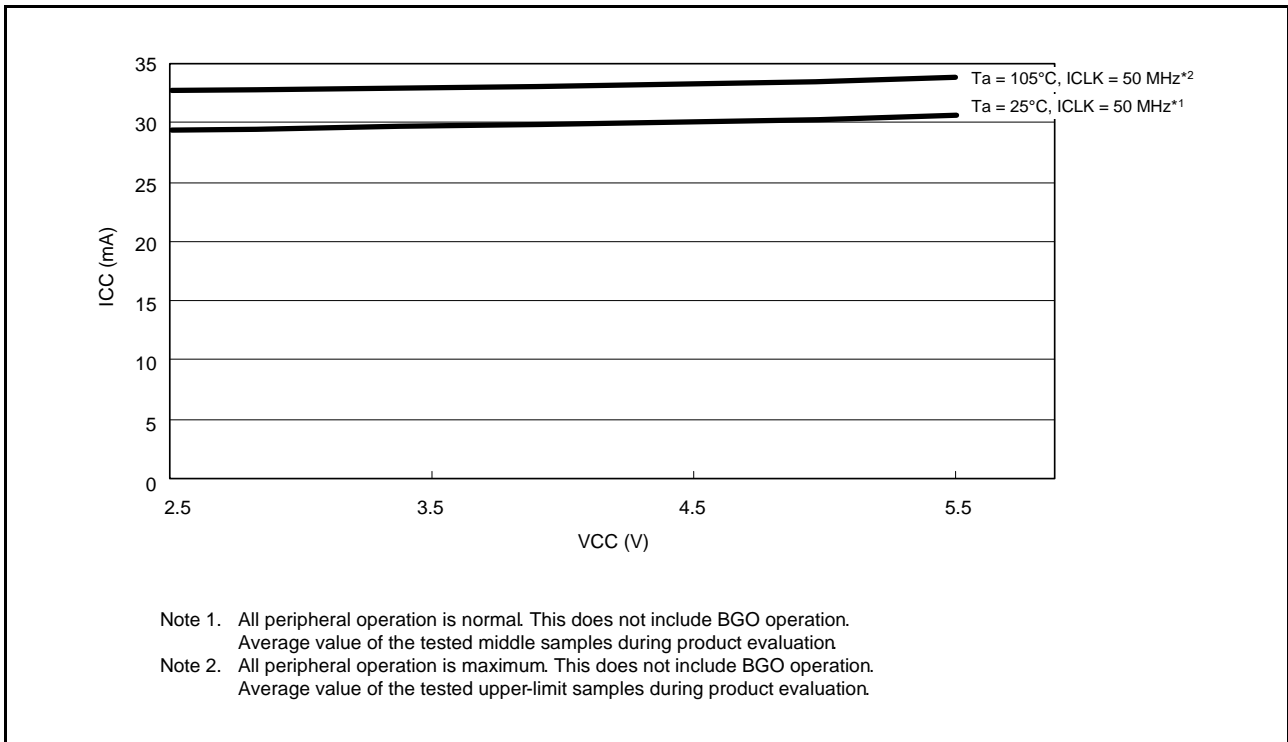


Figure 42.26 Voltage Dependency in High-Speed Operating Mode (Reference Data) for Chip Version B with 768 Kbytes/1 Mbyte of Flash Memory and 100 to 145 Pins

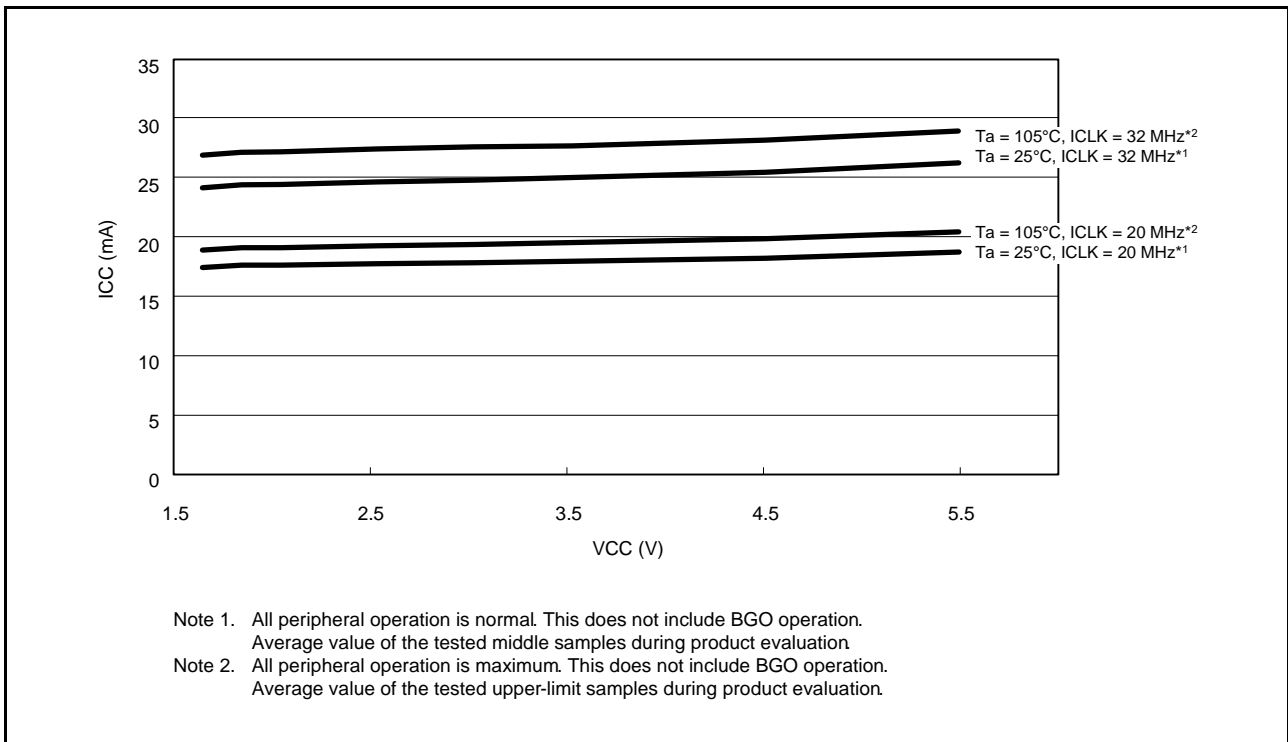


Figure 42.27 Voltage Dependency in Middle-Speed Operating Modes 1A and 1B (Reference Data) for Chip Version B with 768 Kbytes/1 Mbyte of Flash Memory and 100 to 145 Pins

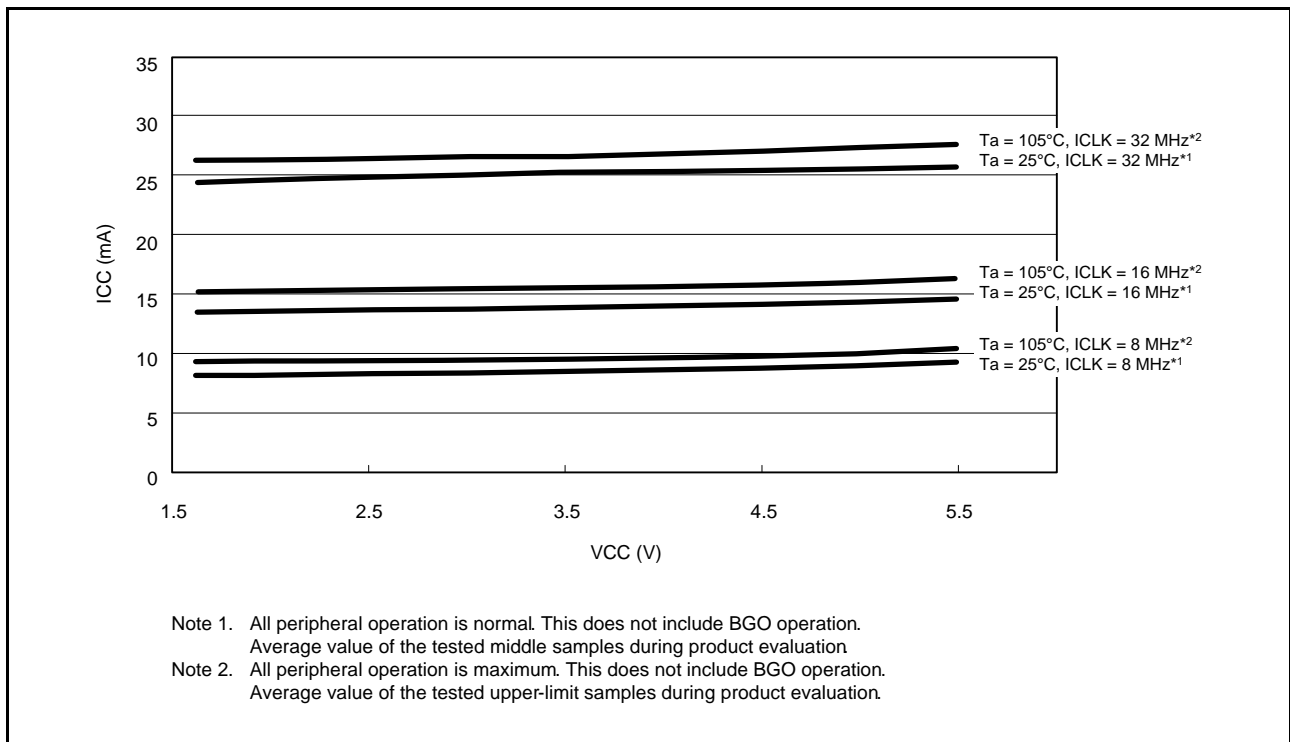


Figure 42.28 Voltage Dependency in Middle-Speed Operating Modes 2A and 2B (Reference Data) for Chip Version B with 768 Kbytes/1 Mbyte of Flash Memory and 100 to 145 Pins

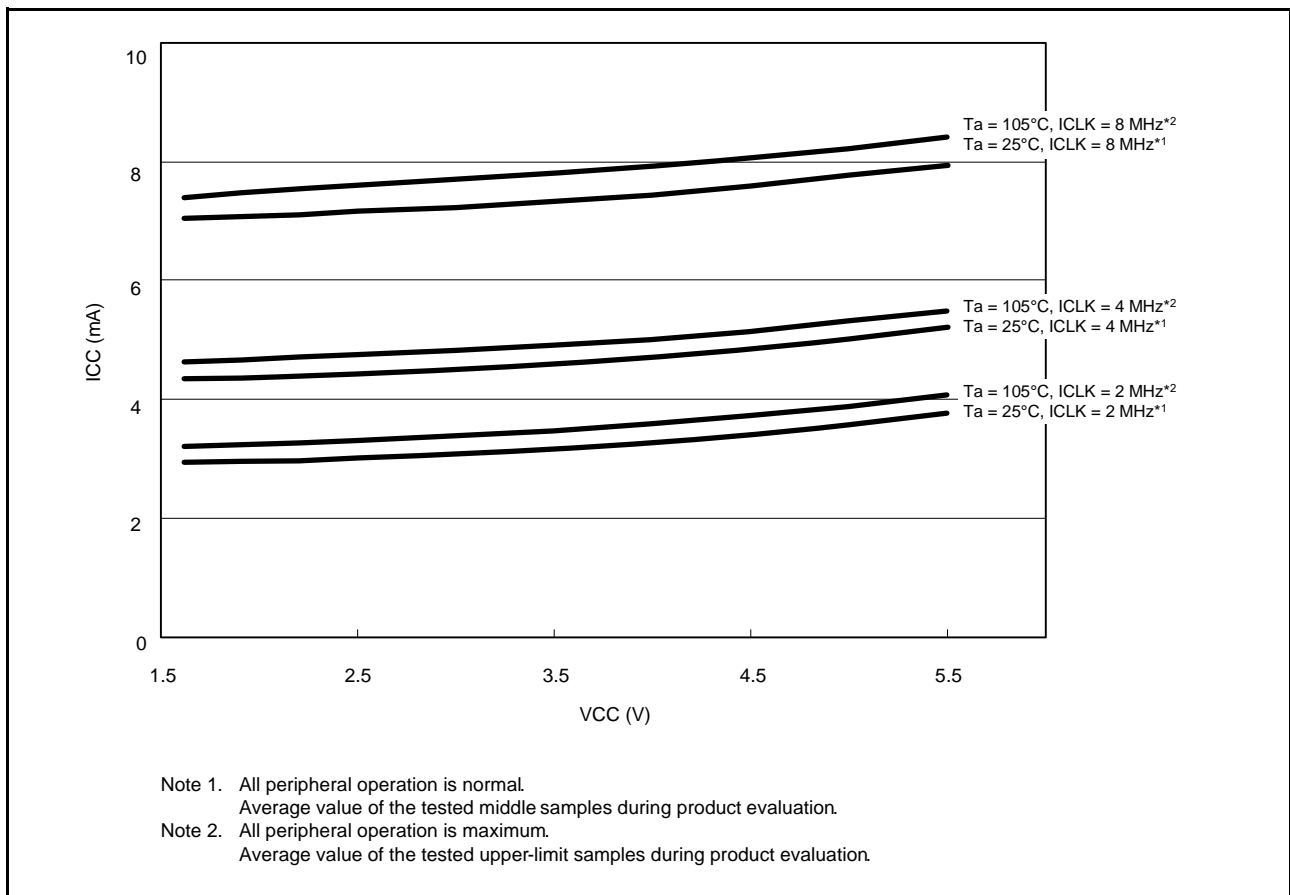


Figure 42.29 Voltage Dependency in Low-Speed Operating Mode 1 (Reference Data) for Chip Version B with 768 Kbytes/1 Mbyte of Flash Memory and 100 to 145 Pins

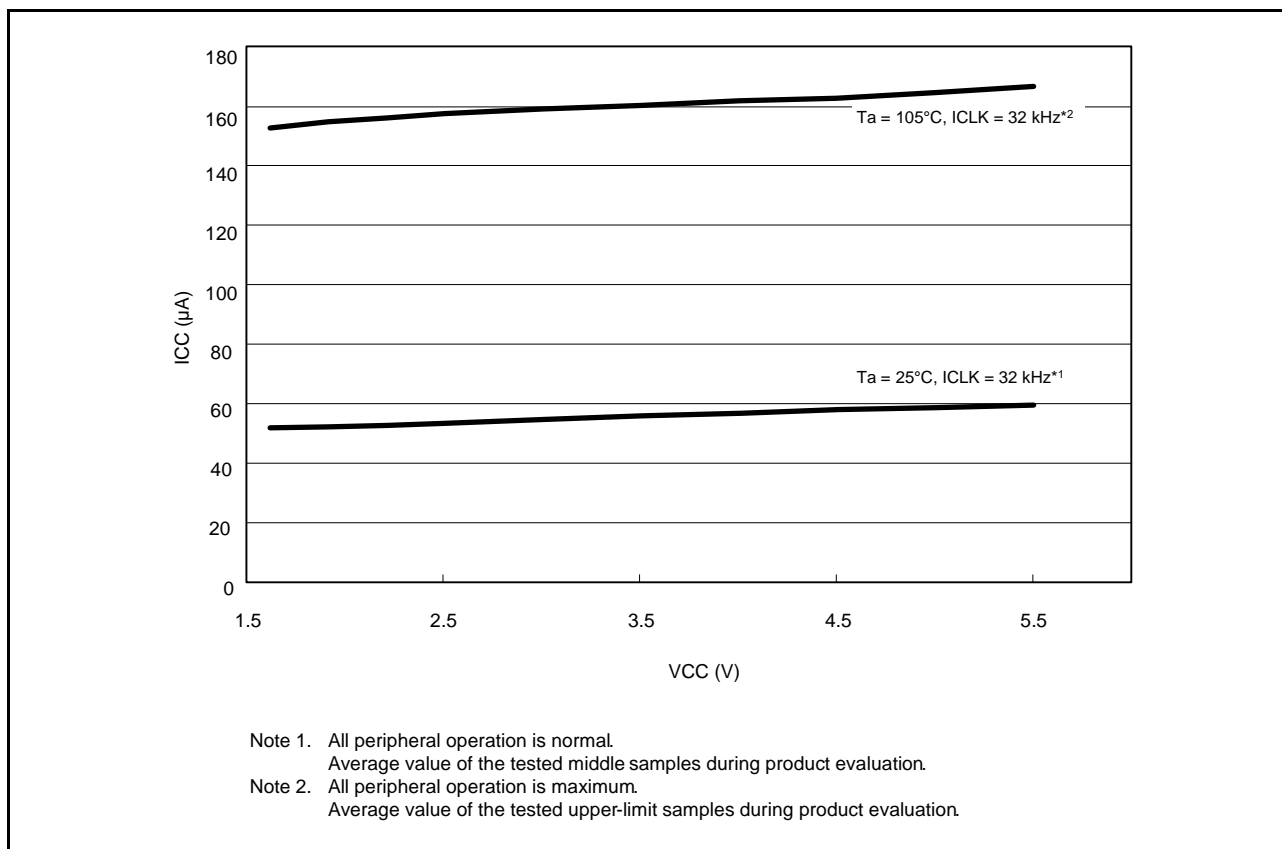


Figure 42.30 Voltage Dependency in Low-Speed Operating Mode 2 (Reference Data) for Chip Version B with 768 Kbytes/1 Mbyte of Flash Memory and 100 to 145 Pins

[Chip version B with 768 Kbytes/1 Mbyte of flash memory and 100 to 145 pins]

Table 42.17 DC Characteristics (16)

Conditions: $V_{CC} = AV_{CC0} = 1.62$ to 5.5 V, $V_{SS} = AV_{SS0} = 0$ V, $T_a = -40$ to $+105^\circ\text{C}$

Item			Symbol	Typ.*3	Max.	Unit	Test Conditions	
Supply current*1	Software standby mode*2	Flash memory power supplied, HOCO power supplied, POR low power consumption function disabled (SOFTCUT[2:0] bits = 000b)	$T_a = 25^\circ\text{C}$	I_{CC}	10	34	μA	
			$T_a = 55^\circ\text{C}$		13	87		
			$T_a = 85^\circ\text{C}$		21	201		
			$T_a = 105^\circ\text{C}$		40	352		
		Flash memory power supplied, HOCO power not supplied, POR low power consumption function enabled (SOFTCUT[2:0] bits = 110b)	$T_a = 25^\circ\text{C}$		1.8	24		
			$T_a = 55^\circ\text{C}$		3.3	70		
			$T_a = 85^\circ\text{C}$		10	168		
			$T_a = 105^\circ\text{C}$		25	302		
	Deep software standby mode*2	Flash memory power not supplied, HOCO power not supplied, POR low power consumption function enabled (DEEPCUT1 bit = 1)	$T_a = 25^\circ\text{C}$	0.4	0.8			
			$T_a = 55^\circ\text{C}$	0.5	1.0			
			$T_a = 85^\circ\text{C}$	0.7	2.5			
			$T_a = 105^\circ\text{C}$	1.4	6.3			
	Increments produced by running voltage detection circuits and disabling the POR low power consumption function				1.4	—		
	Increment for RTC operation (low CL)				0.8	—		
Increment for RTC operation (standard CL)				2.0	—			

Note 1. Supply current values are with all output pins unloaded and all input pull-up MOSs in the off state.

Note 2. The IWDT and LVD are stopped.

Note 3. $V_{CC} = 3.3$ V.

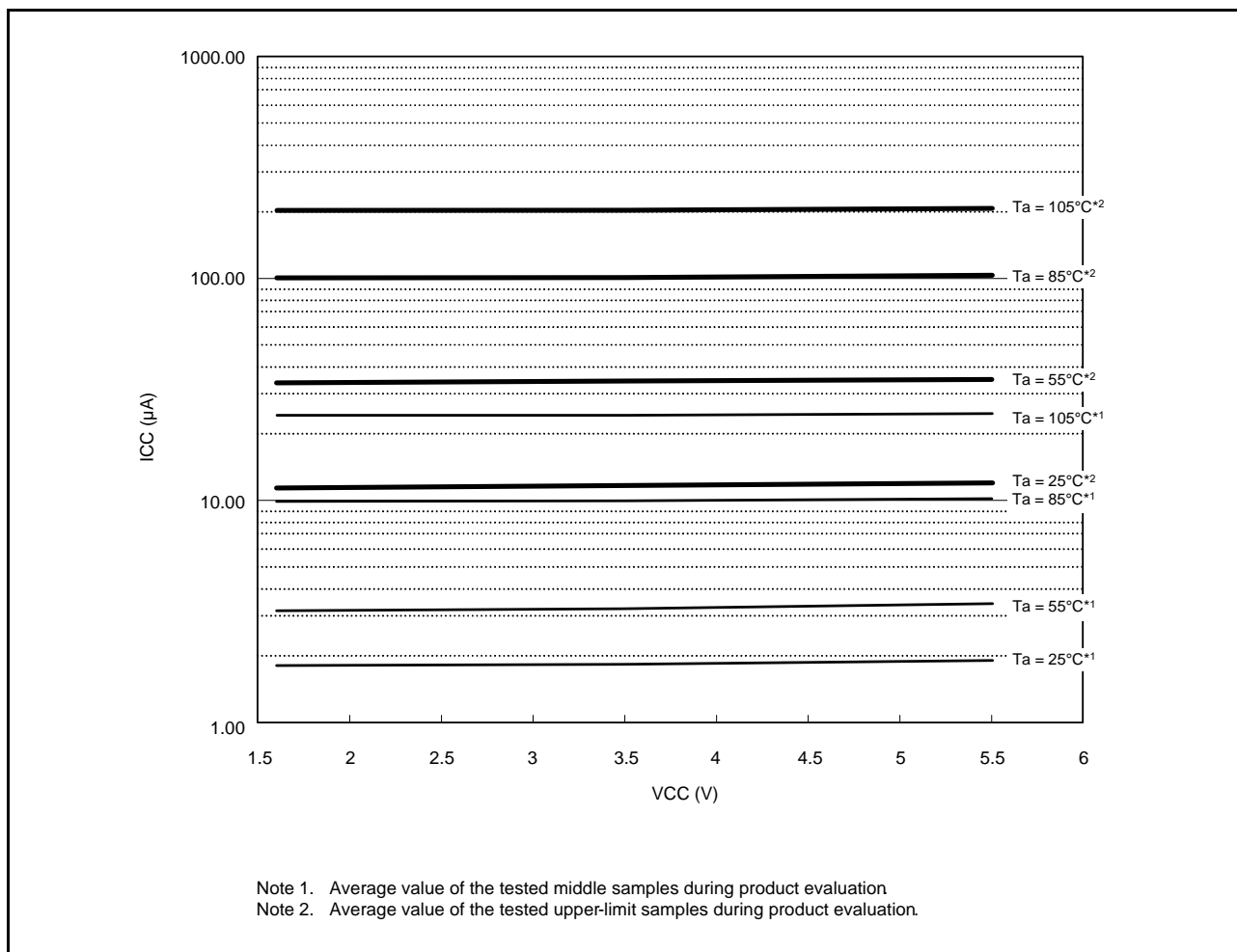


Figure 42.31 Voltage Dependency in Software Standby Mode (SOFTCUT[2:0] Bits = 110b) (Reference Data) for Chip Version B with 768 Kbytes/1 Mbyte of Flash Memory and 100 to 145 Pins

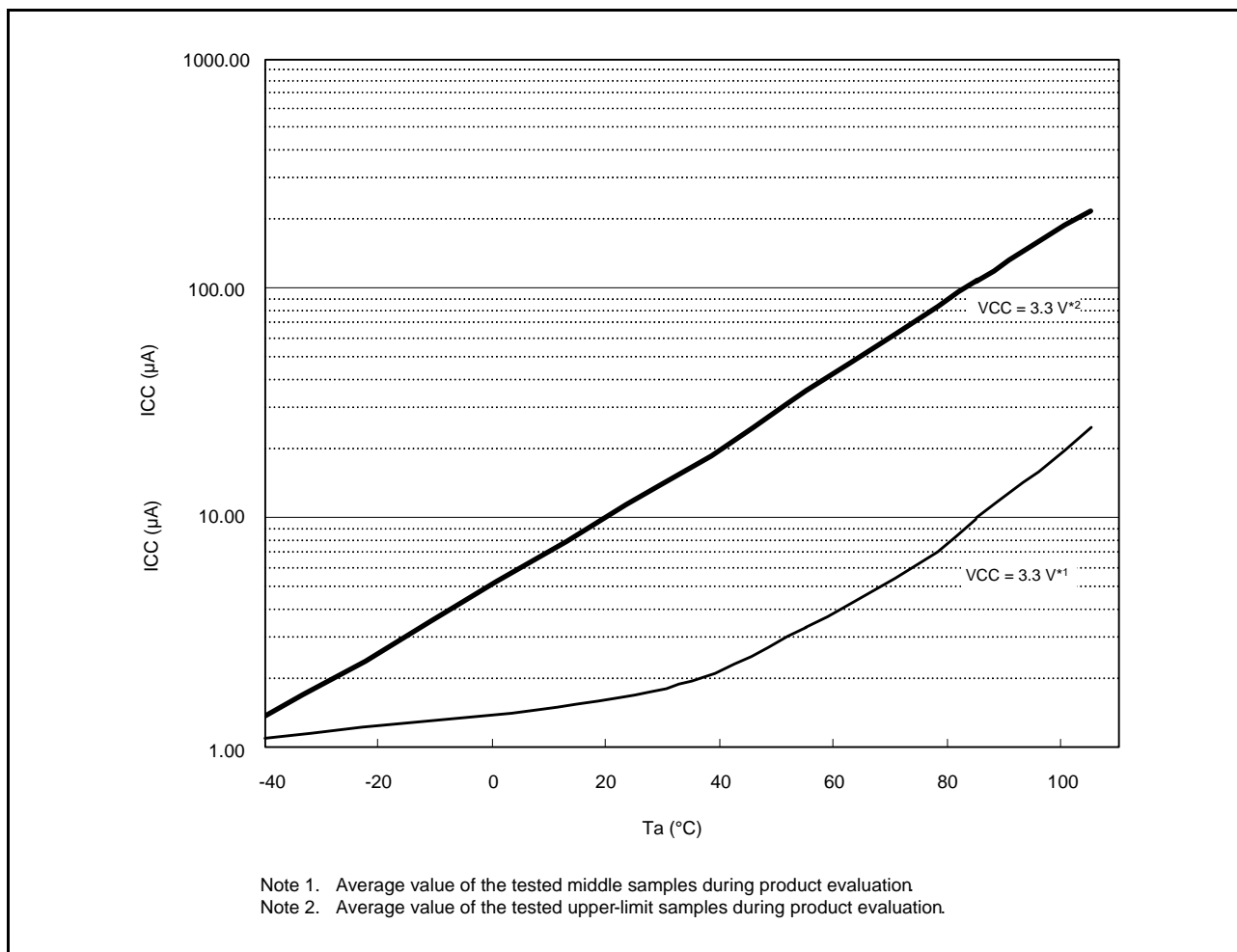


Figure 42.32 Temperature Dependency in Software Standby Mode (SOFTCUT[2:0] Bits = 110b) (Reference Data) for Chip Version B with 768 Kbytes/1 Mbyte of Flash Memory and 100 to 145 Pins

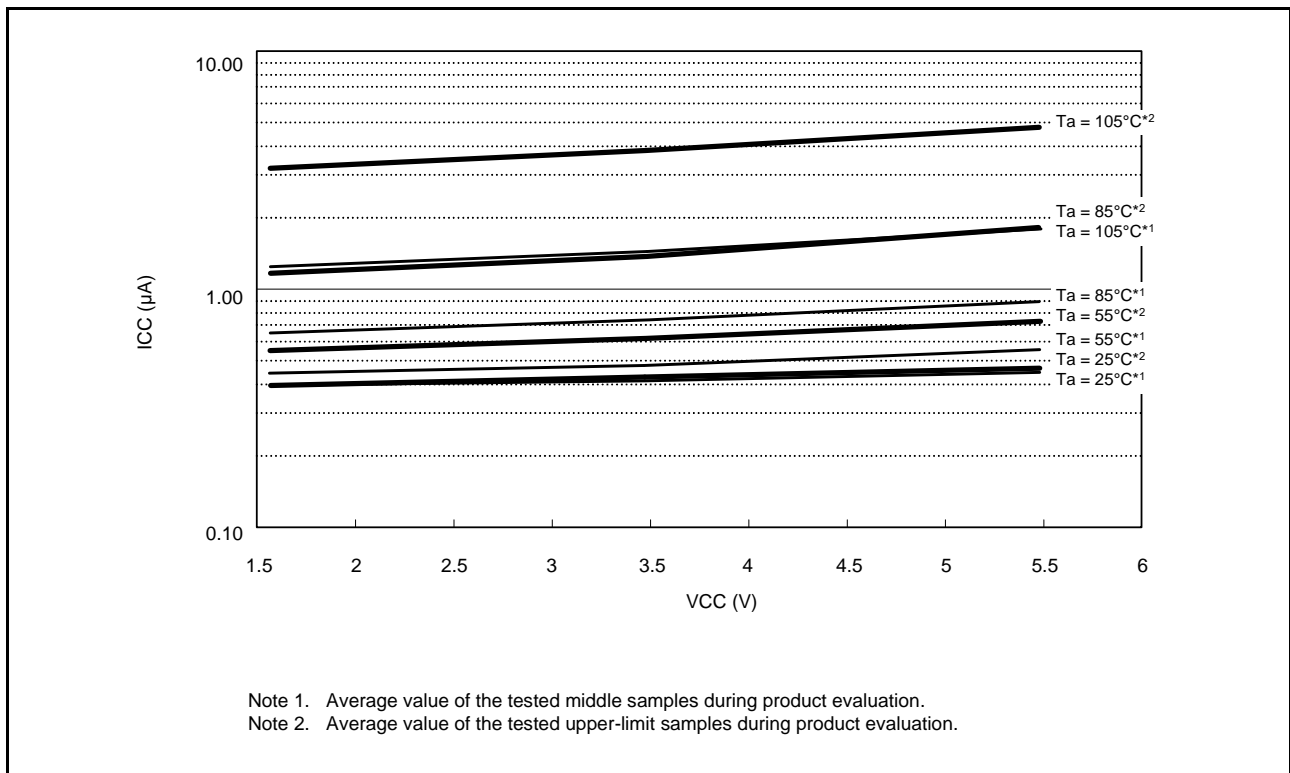


Figure 42.33 Voltage Dependency in Deep Software Standby Mode (DEEPCUT1 Bit = 1) (Reference Data) for Chip Version B with 768 Kbytes/1 Mbyte of Flash Memory and 100 to 145 Pins

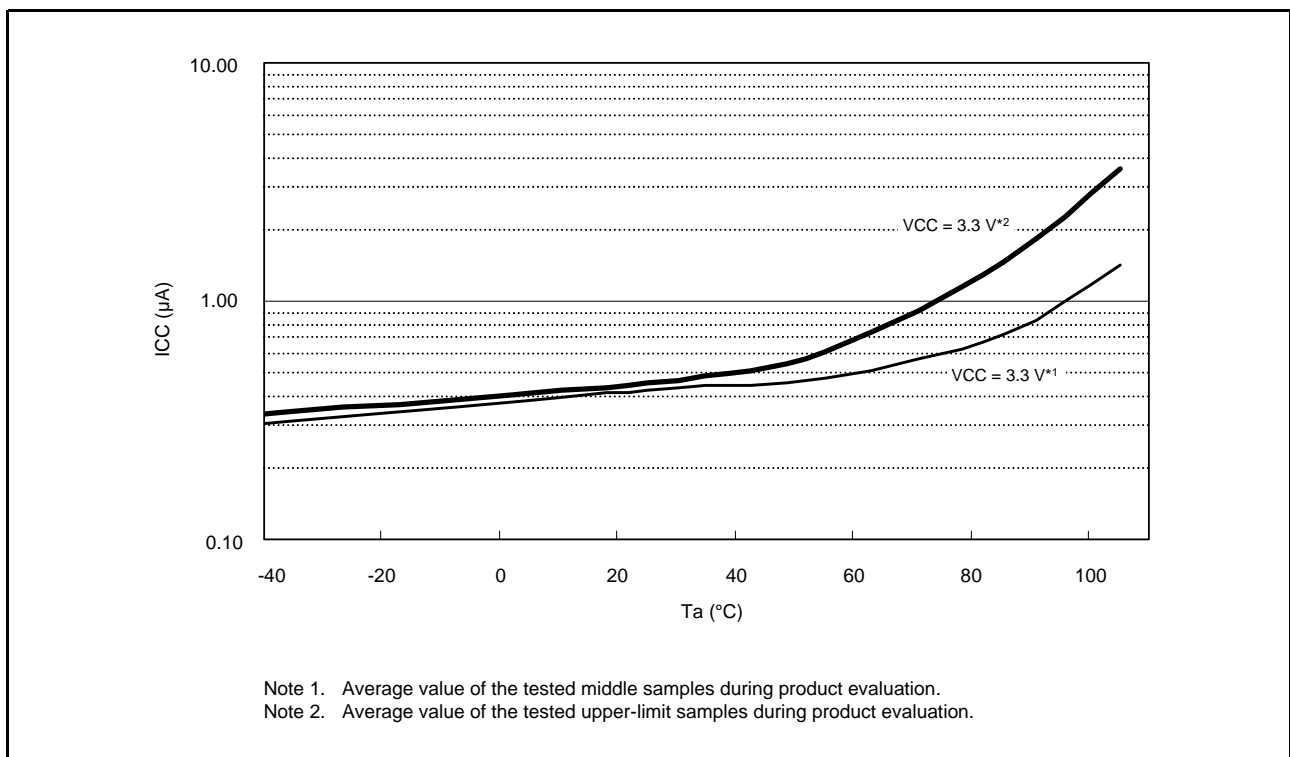


Figure 42.34 Temperature Dependency in Deep Software Standby Mode (DEEPCUT1 Bit = 1) (Reference Data) for Chip Version B with 768 Kbytes/1 Mbyte of Flash Memory and 100 to 145 Pins

[Chip version B with 512 Kbytes or less of flash memory and 144 and 145 pins]

Table 42.18 DC Characteristics (17)

Conditions: $V_{CC} = AV_{CC0} = 2.7$ to 5.5 V, $V_{SS} = AV_{SS0} = V_{REFL} = V_{REFL0} = 0$ V, $T_a = -40$ to $+105^\circ\text{C}$

Item				Symbol	Typ.	Max.	Unit	Test Conditions	
Supply current*1	High-speed operating mode	Normal operating mode	No peripheral operation*2	ICLK = 50 MHz	I _{CC}	7.2	—	mA	
			All peripheral operation: Normal*3	ICLK = 50 MHz		25.9	—		
			All peripheral operation: Max.*3	ICLK = 50 MHz		—	45		
		Sleep mode	No peripheral operation	ICLK = 50 MHz		4.3	—		
			All peripheral operation: Normal	ICLK = 50 MHz		13	—		
		All-module clock stop mode					3.7		—
		Increase during BGO operation*4					21		—

Note 1. Supply current values do not include output charge/discharge current from all pins. The values apply when internal pull-up MOSs are in the off state.

Note 2. Clock supply to the peripheral functions is stopped. This does not include BGO operation. The clock source is PLL and the VCO oscillation frequency is 100 MHz. BCLK, FCLK, and PCLK are set to divided by 64.

Note 3. Clocks are supplied to the peripheral functions. This does not include BGO operation. The clock source is PLL and the VCO oscillation frequency is 100 MHz. BCLK, FCLK, and PCLK are ICLK divided by 2.

Note 4. This is the increase if data is programmed to or erasing from the ROM or E2 DataFlash during program execution.

[Chip version B with 512 Kbytes or less of flash memory and 144 and 145 pins]

Table 42.19 DC Characteristics (18)

Conditions: VCC = AVCC0 = 1.62 to 5.5 V, VSS = AVSS0 = VREFL = VREFL0 = 0 V, Ta = -40 to +105°C

Item					Symbol	Typ.	Max.	Unit	Test Conditions	
Supply current*1	Middle-speed operating modes 1A and 1B	Normal operating mode	No peripheral operation	ICLK = 32 MHz*2	I _{CC}	5.3	—	mA		
				ICLK = 20 MHz*3		4.6	—			
			All peripheral operation: Normal	ICLK = 32 MHz*4		22.3	—			
				ICLK = 20 MHz*5		15.6	—			
				All peripheral operation: Max.		ICLK = 32 MHz*4	—			35
						ICLK = 20 MHz*5	—			—
		Sleep mode	No peripheral operation	ICLK = 32 MHz		3.4	—			
				ICLK = 20 MHz		3.3	—			
			All peripheral operation: Normal	ICLK = 32 MHz		12.8	—			
				ICLK = 20 MHz		9.8	—			
		All-module clock stop mode	ICLK = 32 MHz			3	—			
			ICLK = 20 MHz			3	—			
	Increase during BGO operation*6	Middle-speed operating mode 1A		21	—					
		Middle-speed operating mode 1B		19	—					
	Middle-speed operating modes 2A and 2B	Normal operating mode	No peripheral operation*2	ICLK = 32 MHz	4.7	—				
				ICLK = 16 MHz	3.4	—				
				ICLK = 8 MHz	2.7	—				
				All peripheral operation: Normal*4	ICLK = 32 MHz*3	21.7	—			
					ICLK = 16 MHz*3	12.3	—			
					ICLK = 8 MHz	7.6	—			
			All peripheral operation: Max.*4	ICLK = 32 MHz*3	—	34				
				ICLK = 16 MHz*3	—	—				
				ICLK = 8 MHz	—	—				
			Sleep mode	No peripheral operation	ICLK = 32 MHz	2.9	—			
ICLK = 16 MHz					2.5	—				
ICLK = 8 MHz					2.2	—				
All peripheral operation: Normal		ICLK = 32 MHz		12.3	—					
		ICLK = 16 MHz		7.8	—					
		ICLK = 8 MHz		5.6	—					
All-module clock stop mode		ICLK = 32 MHz		2.5	—					
		ICLK = 16 MHz		2.2	—					
		ICLK = 8 MHz		2.1	—					
Increase during BGO operation*6	Middle-speed operating mode 1A		21	—						
	Middle-speed operating mode 1B		19	—						

Item				Symbol	Typ.	Max.	Unit	Test Conditions
Supply current*1	Low-speed operating mode 1	Normal operating mode	No peripheral operation*7	ICLK = 8 MHz	I _{CC}	2.0	—	mA
				ICLK = 4 MHz		1.6	—	
				ICLK = 2 MHz		1.5	—	
			All peripheral operation: Normal*8	ICLK = 8 MHz		6.4	—	
				ICLK = 4 MHz		4.0	—	
				ICLK = 2 MHz		2.8	—	
		All peripheral operation: Max.*8	ICLK = 8 MHz	—		12		
			ICLK = 4 MHz	—		—		
			ICLK = 2 MHz	—		—		
		Sleep mode	No peripheral operation	ICLK = 8 MHz		1.5	—	
				ICLK = 4 MHz		1.4	—	
				ICLK = 2 MHz		1.3	—	
			All peripheral operation: Normal	ICLK = 8 MHz		3.9	—	
				ICLK = 4 MHz		2.8	—	
	ICLK = 2 MHz			2.2	—			
	All-module clock stop mode	ICLK = 8 MHz	1.4	—				
		ICLK = 4 MHz	1.3	—				
		ICLK = 2 MHz	1.2	—				
	Low-speed operating mode 2	Normal operating mode	No peripheral operation*9	ICLK = 32 kHz	0.021	—		
			All peripheral operation: Normal*10	ICLK = 32 kHz	0.06	—		
All peripheral operation: Max.*10				ICLK = 32 kHz	—	3*11		
Sleep mode		No peripheral operation	ICLK = 32 kHz	0.017	—			
		All peripheral operation: Normal	ICLK = 32 kHz	0.035	—			
All-module clock stop mode		ICLK = 32 kHz	0.016	—				

Note 1. Supply current values do not include output charge/discharge current from all pins. The values apply when internal pull-up MOSs are in the off state.

Note 2. Clock supply to the peripheral functions is stopped. This does not include BGO operation. The clock source is PLL and the VCO oscillation frequency is 64 MHz. BCLK, FCLK, and PCLK are set to divided by 64.

Note 3. Clock supply to the peripheral functions is stopped. This does not include BGO operation. The clock source is HOCO and the oscillation frequency is 40 MHz. BCLK, FCLK, and PCLK are set to divided by 64.

Note 4. Clocks are supplied to the peripheral functions. This does not include BGO operation. The clock source is PLL and the VCO oscillation frequency is 64 MHz. BCLK, FCLK, and PCLK are ICLK divided by 1.

Note 5. Clocks are supplied to the peripheral functions. This does not include BGO operation. The clock source is HOCO and the oscillation frequency is 40 MHz. BCLK, FCLK, and PCLK are ICLK divided by 1.

Note 6. This is the increase if data is programmed to or erasing from the ROM or E2 DataFlash during program execution.

Note 7. Clock supply to the peripheral functions is stopped. This does not include BGO operation. The clock source is HOCO and the oscillation frequency is 32 MHz. BCLK, FCLK, and PCLK are set to divided by 64.

Note 8. Clocks are supplied to the peripheral functions. This does not include BGO operation. The clock source is HOCO and the oscillation frequency is 32 MHz. BCLK, FCLK, and PCLK are ICLK divided by 1.

Note 9. Clock supply to the peripheral functions is stopped. This does not include BGO operation. The clock source is the sub oscillation circuit. BCLK, FCLK, and PCLK are set to divided by 64.

Note 10. Clocks are supplied to the peripheral functions. This does not include BGO operation. The clock source is the sub oscillation circuit. BCLK, FCLK, and PCLK are ICLK divided by 1.

Note 11. Value when the main clock continues oscillating at 12.5 MHz.

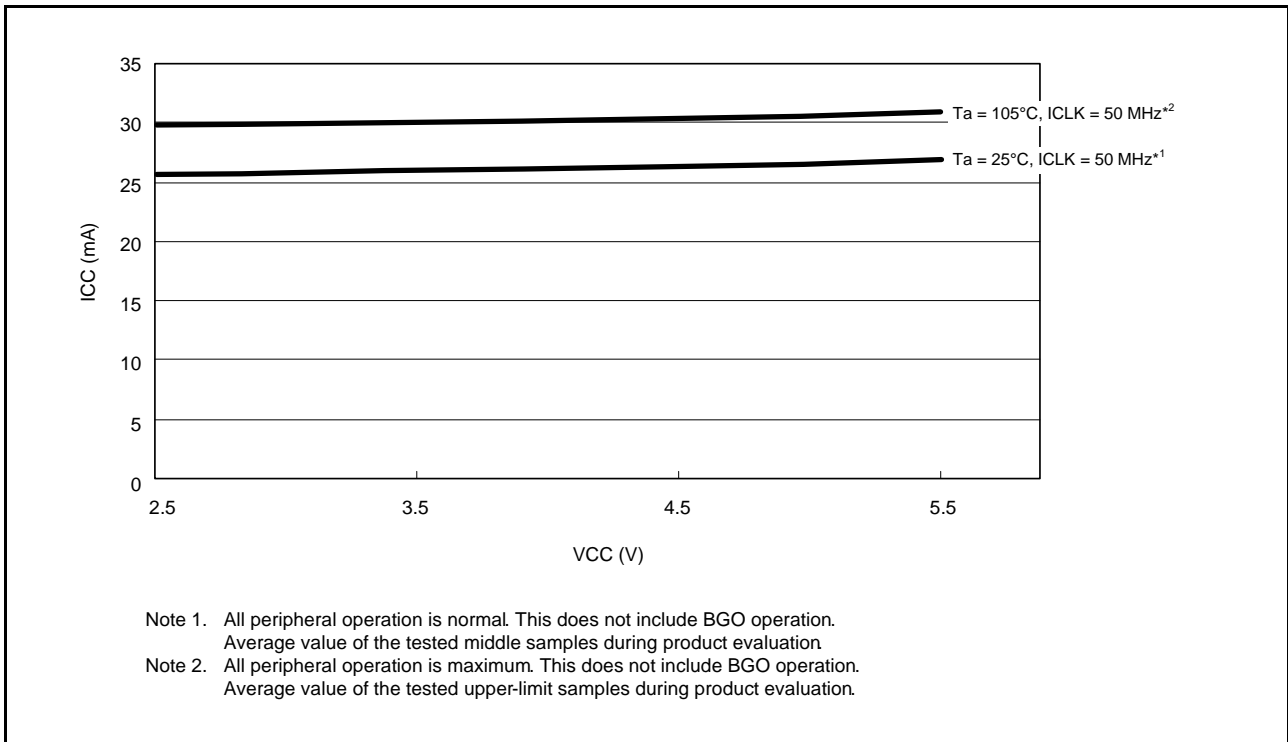


Figure 42.35 Voltage Dependency in High-Speed Operating Mode (Reference Data) for Chip Version B with 512 Kbytes or Less of Flash Memory and 144 and 145 Pins

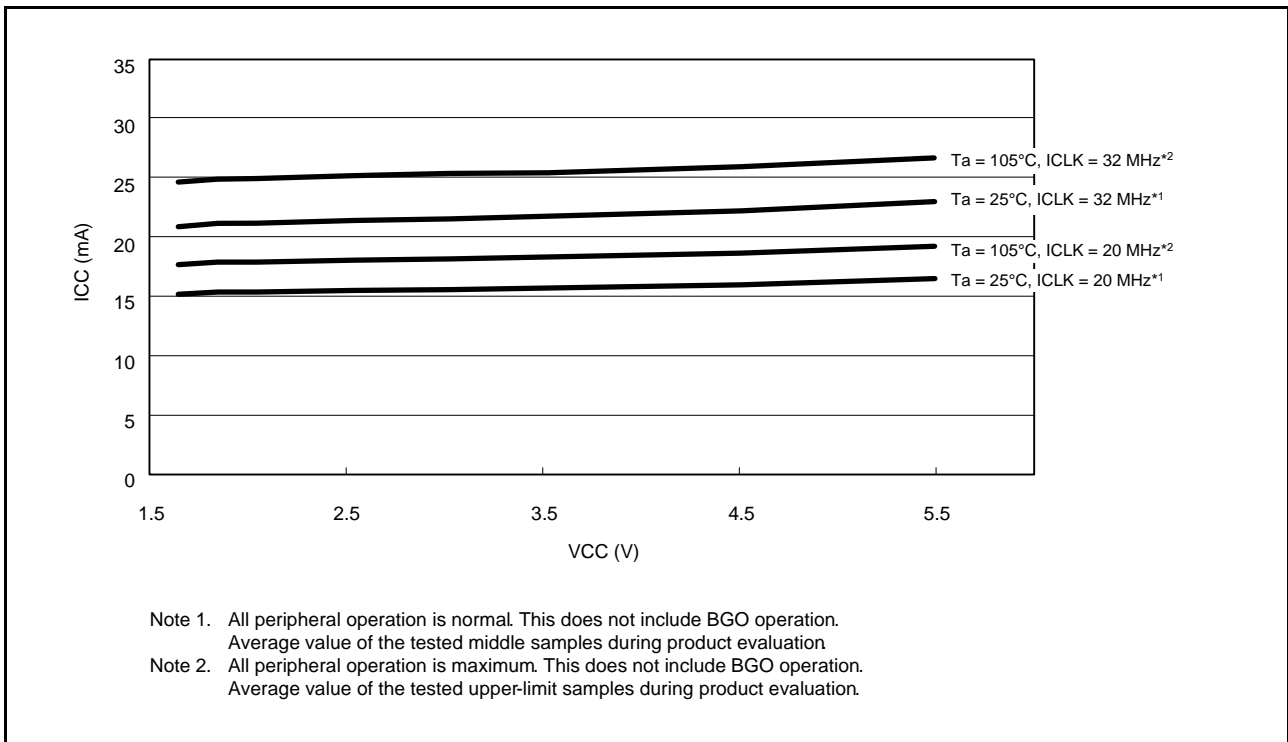


Figure 42.36 Voltage Dependency in Middle-Speed Operating Modes 1A and 1B (Reference Data) for Chip Version B with 512 Kbytes or Less of Flash Memory and 144 and 145 Pins

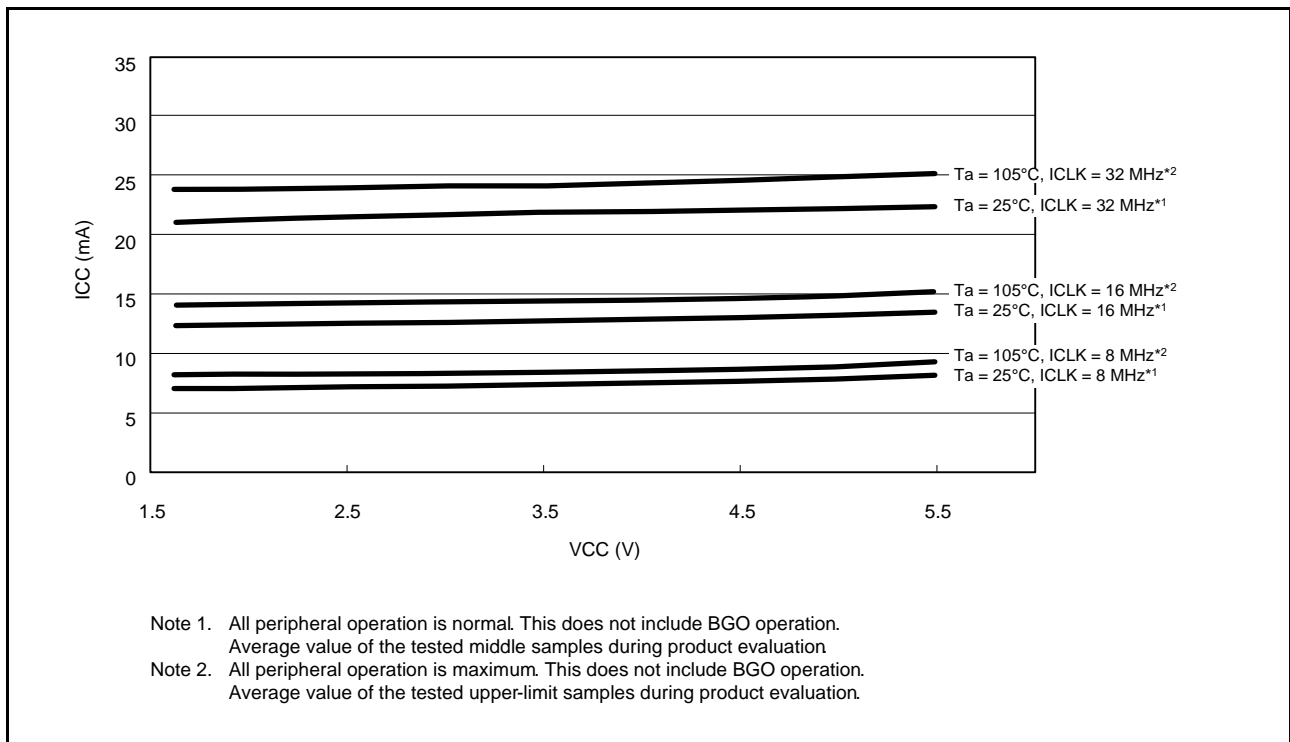


Figure 42.37 Voltage Dependency in Middle-Speed Operating Modes 2A and 2B (Reference Data) for Chip Version B with 512 Kbytes or Less of Flash Memory and 144 and 145 Pins

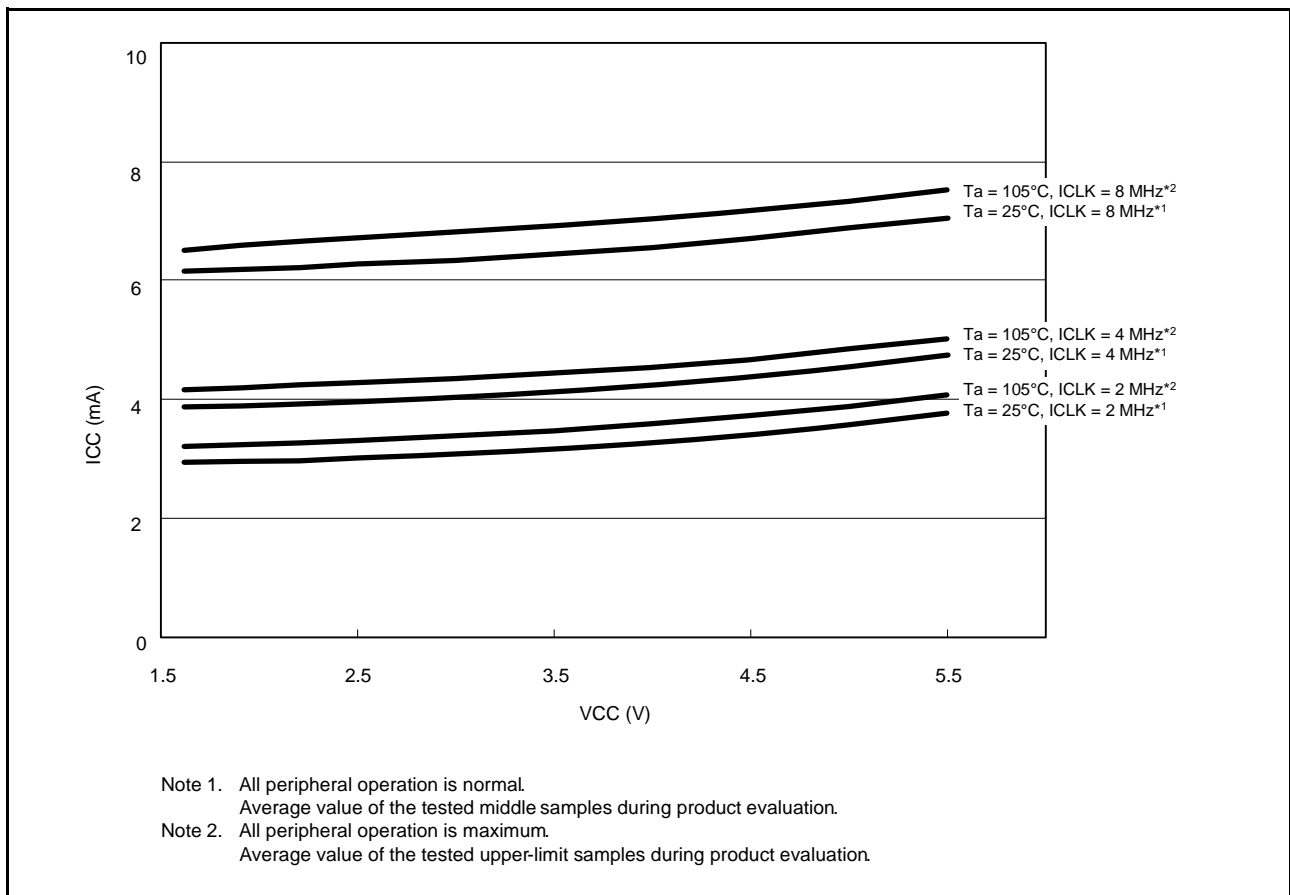


Figure 42.38 Voltage Dependency in Low-Speed Operating Mode 1 (Reference Data) for Chip Version B with 512 Kbytes or Less of Flash Memory and 144 and 145 Pins

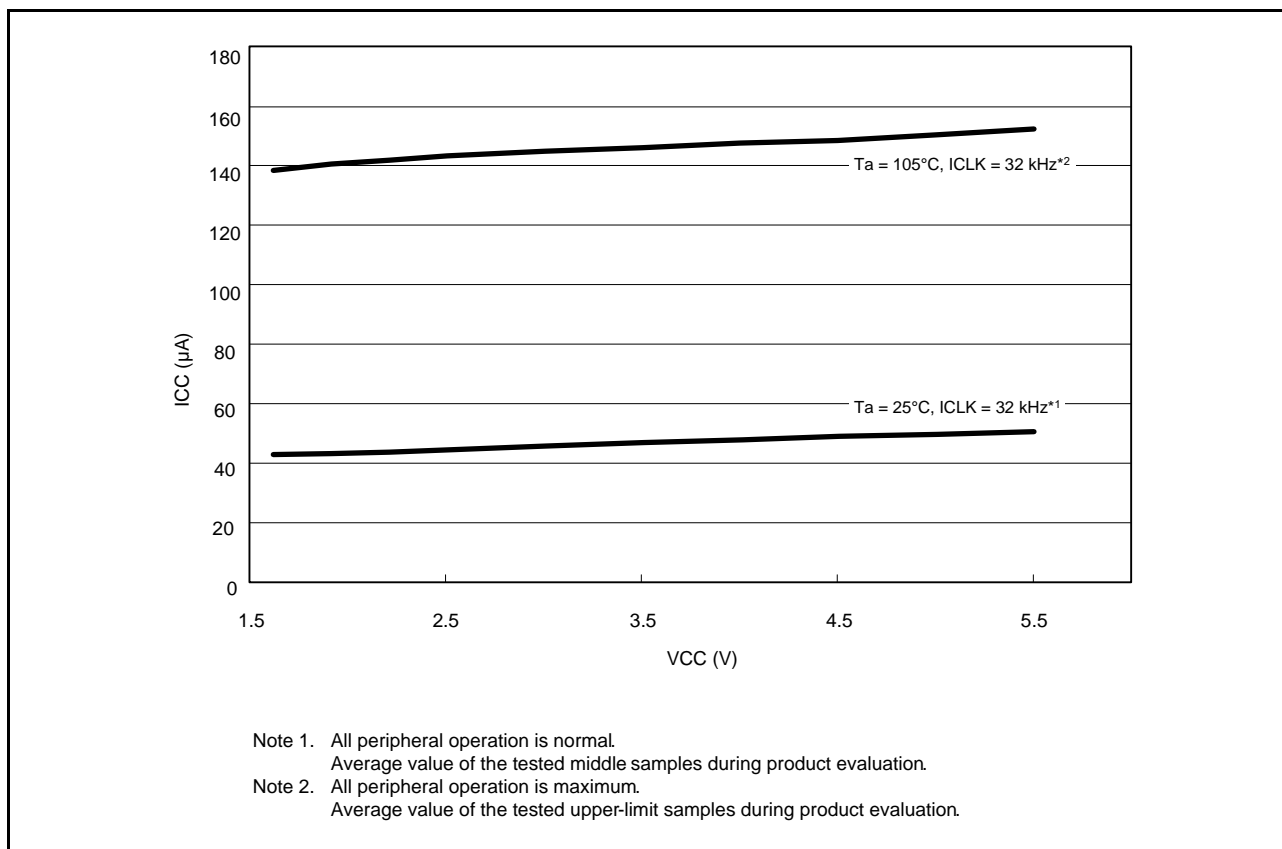


Figure 42.39 Voltage Dependency in Low-Speed Operating Mode 2 (Reference Data) for Chip Version B with 512 Kbytes or Less of Flash Memory and 144 and 145 Pins

[Chip version B with 512 Kbytes or less of flash memory and 144 and 145 pins]

Table 42.20 DC Characteristics (19)Conditions: $V_{CC} = AV_{CC0} = 1.62$ to 5.5 V, $V_{SS} = AV_{SS0} = 0$ V, $T_a = -40$ to $+105^\circ\text{C}$

Item			Symbol	Typ.*3	Max.	Unit	Test Conditions	
Supply current*1	Software standby mode*2	Flash memory power supplied, HOCO power supplied, POR low power consumption function disabled (SOFTCUT[2:0] bits = 000b)	$T_a = 25^\circ\text{C}$	I_{CC}	10	18	μA	
			$T_a = 55^\circ\text{C}$		13	52		
			$T_a = 85^\circ\text{C}$		20	101		
			$T_a = 105^\circ\text{C}$		34	173		
		Flash memory power supplied, HOCO power not supplied, POR low power consumption function enabled (SOFTCUT[2:0] bits = 110b)	$T_a = 25^\circ\text{C}$		1.8	7.7		
			$T_a = 55^\circ\text{C}$		3.3	30		
			$T_a = 85^\circ\text{C}$		9.2	75		
			$T_a = 105^\circ\text{C}$		20	139		
	Deep software standby mode*2	Flash memory power not supplied, HOCO power not supplied, POR low power consumption function enabled (DEEPCUT1 bit = 1)	$T_a = 25^\circ\text{C}$	0.4	0.8			
			$T_a = 55^\circ\text{C}$	0.5	1.0			
			$T_a = 85^\circ\text{C}$	0.7	2.5			
			$T_a = 105^\circ\text{C}$	1.4	6.3			
	Increments produced by running voltage detection circuits and disabling the POR low power consumption function				1.4	—		
	Increment for RTC operation (low CL)				0.8	—		
Increment for RTC operation (standard CL)				2.0	—			

Note 1. Supply current values are with all output pins unloaded and all input pull-up MOSs in the off state.

Note 2. The IWDT and LVD are stopped.

Note 3. $V_{CC} = 3.3$ V.

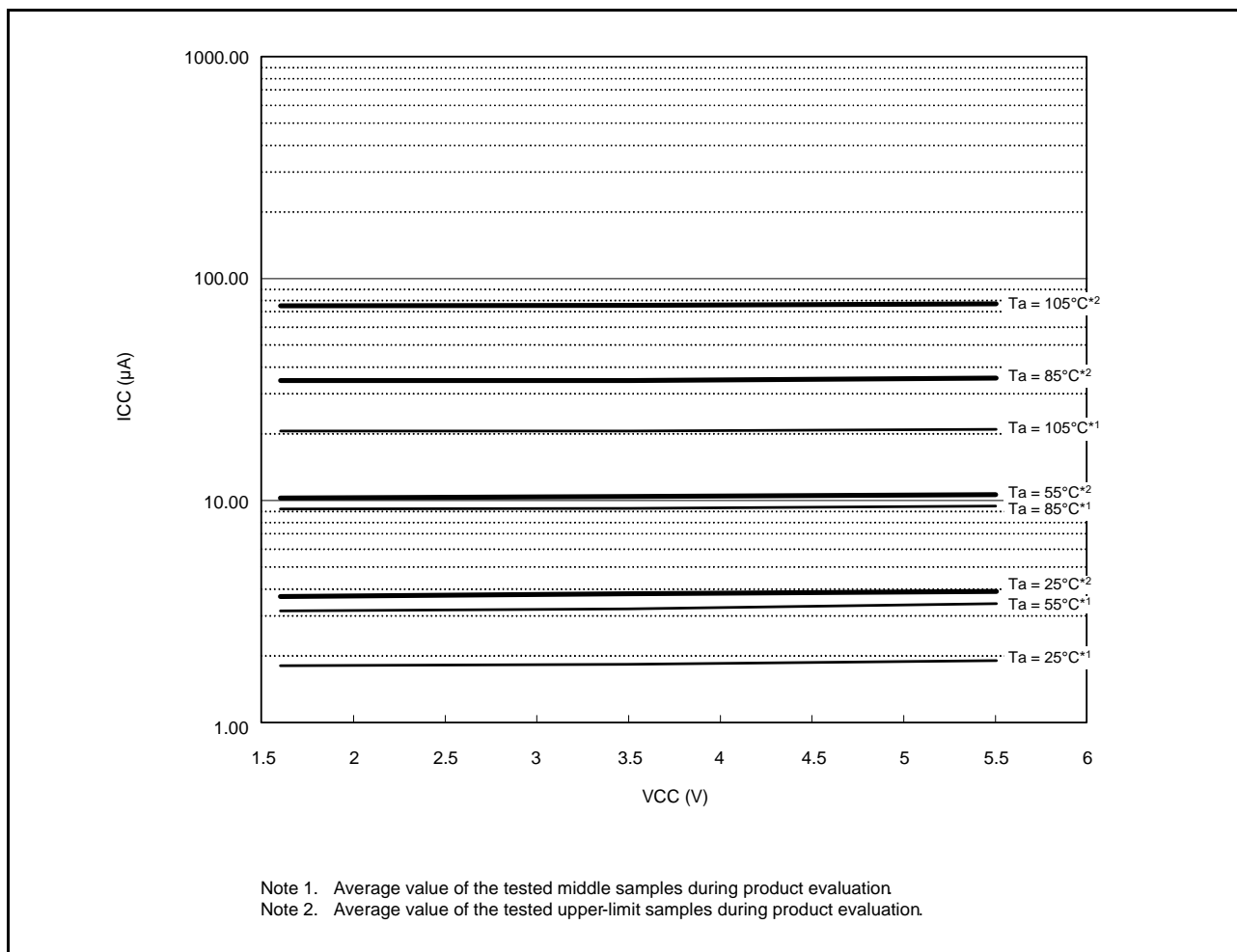


Figure 42.40 Voltage Dependency in Software Standby Mode (SOFTCUT[2:0] Bits = 110b) (Reference Data) for Chip Version B with 512 Kbytes or Less of Flash Memory and 144 and 145 Pins

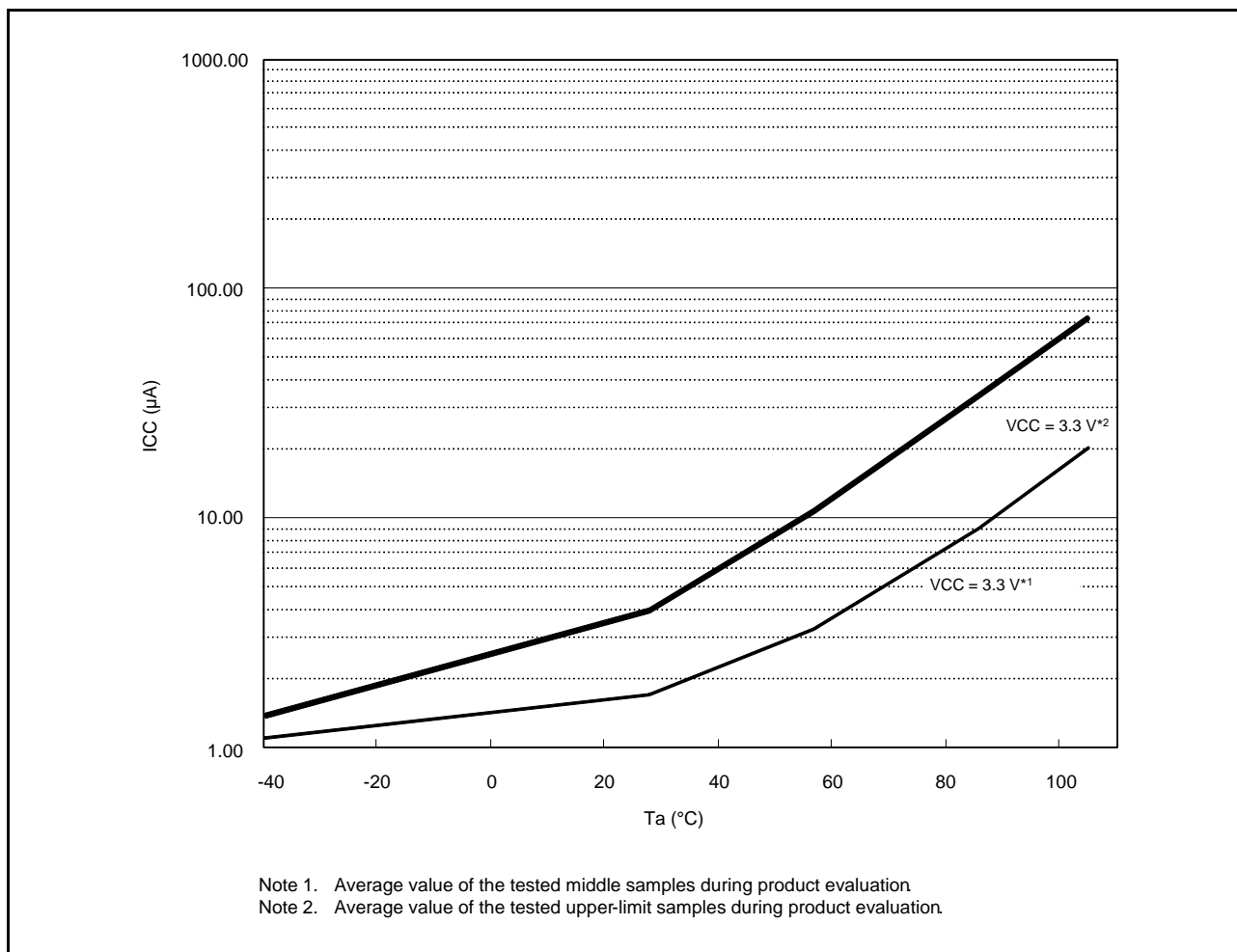


Figure 42.41 Temperature Dependency in Software Standby Mode (SOFTCUT[2:0] Bits = 110b) (Reference Data) for Chip Version B with 512 Kbytes or Less of Flash Memory and 144 and 145 Pins

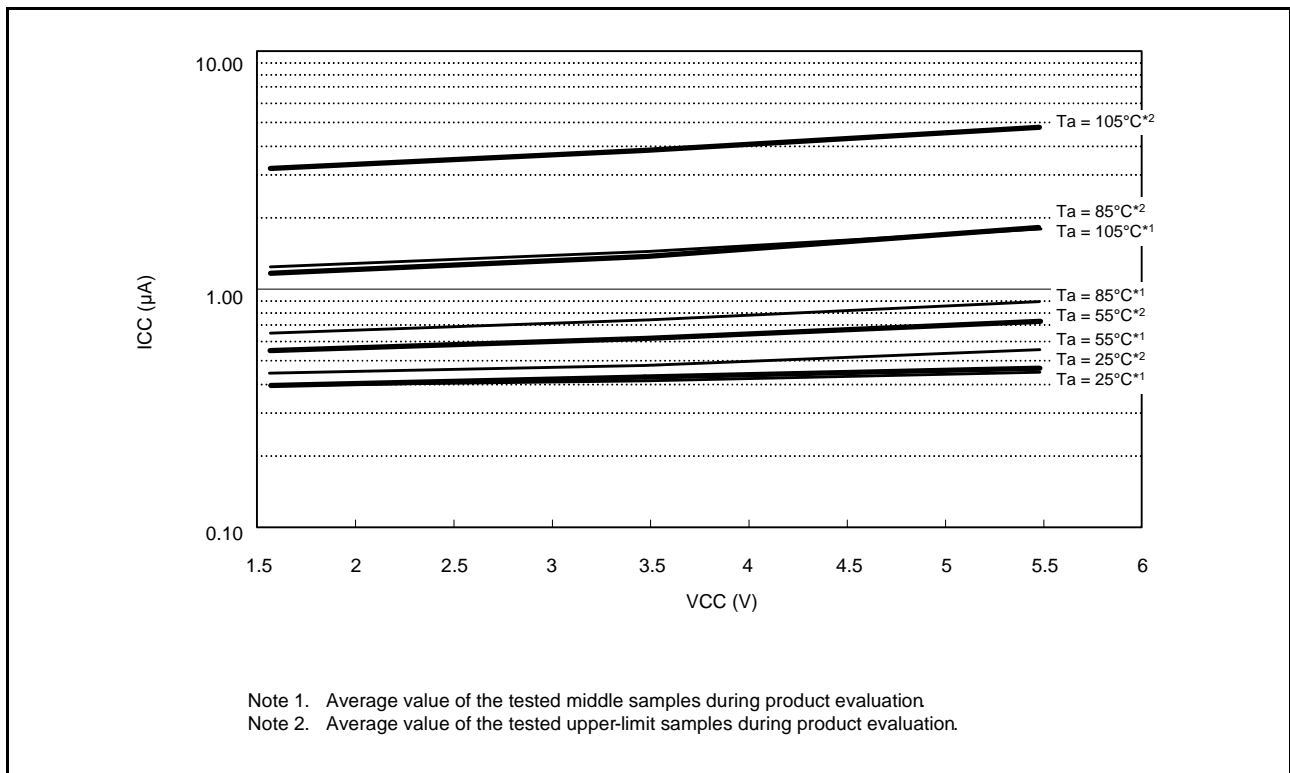


Figure 42.42 Voltage Dependency in Deep Software Standby Mode (DEEPCUT1 Bit = 1) (Reference Data) for Chip Version B with 512 Kbytes or Less of Flash Memory and 144 and 145 Pins

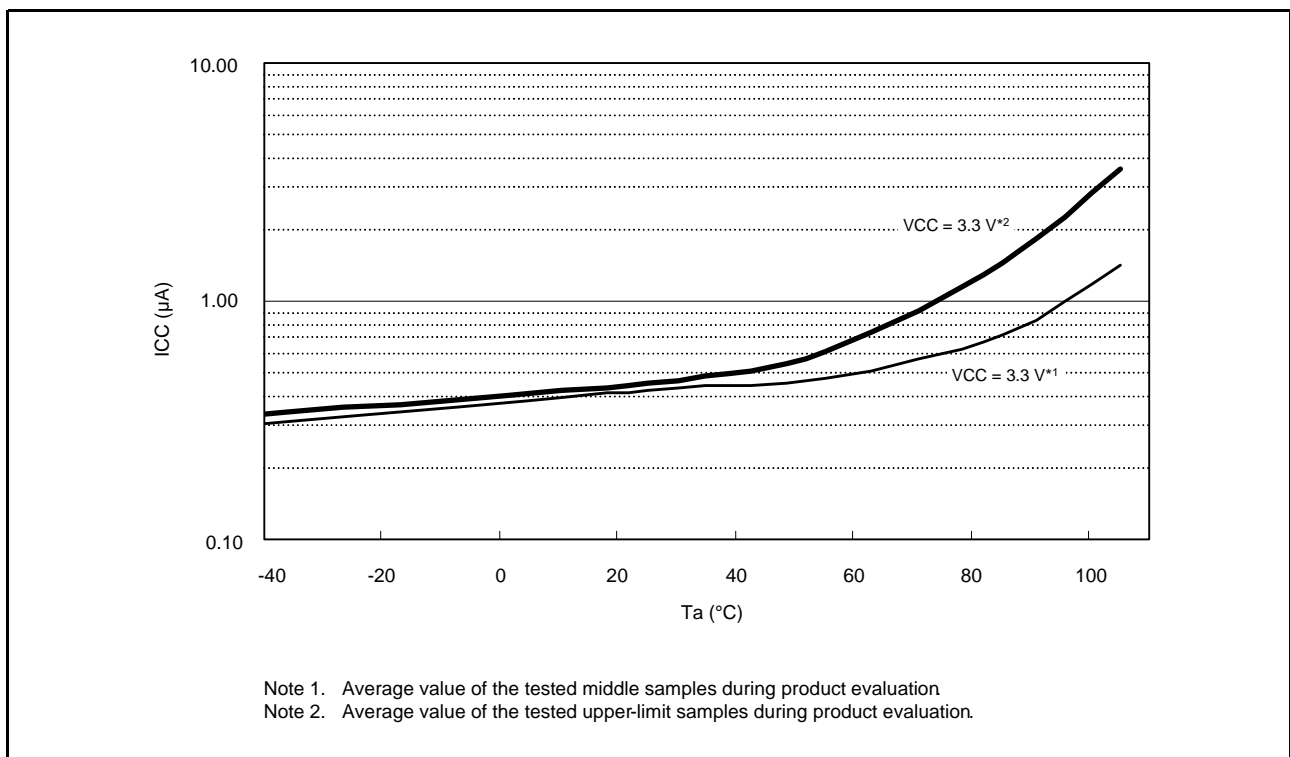


Figure 42.43 Temperature Dependency in Deep Software Standby Mode (DEEPCUT1 Bit = 1) (Reference Data) for Chip Version B with 512 Kbytes or Less of Flash Memory and 144 and 145 Pins

Table 42.21 DC Characteristics (20)Conditions: $V_{CC} = AV_{CC0} = 1.62$ to 5.5 V, $V_{SS} = AV_{SS0} = V_{REFL} = V_{REFL0} = 0$ V, $T_a = -40$ to $+105^\circ\text{C}$

Item	Symbol	Typ.	Max.	Unit	Test Conditions
Permissible total consumption power*1	Pd	—	350	mW	Ta = -40 to 85°C
		—	150		85°C < Ta ≤ 105°C

Note: • Please contact Renesas Electronics sales office for derating of operation under $T_a = +85^\circ\text{C}$ to $+105^\circ\text{C}$. Derating is the systematic reduction of load for the sake of improved reliability.

Note 1. Total power dissipated by the entire chip (including output currents)

Table 42.22 DC Characteristics (21)Conditions: $V_{CC} = AV_{CC0} = 1.62$ to 5.5 V, $V_{REFH} = 1.8$ to AV_{CC0} , $V_{REFH0} = 1.62$ to AV_{CC0} , $V_{SS} = AV_{SS0} = V_{REFL} = V_{REFL0} = 0$ V, $T_a = -40$ to $+105^\circ\text{C}$

Item	Symbol	Min.	Typ.	Max.	Unit	Test Conditions	
Analog power supply current	During A/D conversion	—	1.0	3.2	mA		
	Temperature sensor operating, waiting for A/D conversion	—	60	200	μA		
	During D/A conversion (per channel)	I_{VREFH}^{*1}	—	0.25	0.75		mA
	Waiting for A/D, D/A conversion (all units)*2	—	—	0.2	5.0		μA
Reference power supply current	During A/D conversion	I_{VREFH0}	—	0.1	0.2	mA	
	Waiting for A/D conversion	—	—	0.2	0.4	μA	

Note: • The values for A/D conversion apply when the sample and hold circuit is not in use.

Note 1. The reference power supply current is included in the power supply current value for D/A conversion.

Note 2. The value is the total value of I_{AVCC0} and I_{VREFH} .

Table 42.23 DC Characteristics (22)Conditions: $V_{CC} = AV_{CC0}$, $V_{SS} = AV_{SS0} = V_{REFL} = V_{REFL0} = 0$ V, $T_a = -40$ to $+105^\circ\text{C}$

Item	Symbol	Min.	Typ.	Max.	Unit	Test Conditions
RAM standby voltage	V_{RAM}	1.62	—	—	V	

Table 42.24 DC Characteristics (23)Conditions: $V_{CC} = AV_{CC0} = 0$ to 5.5 V, $V_{REFH} = V_{REFH0} = 0$ to AV_{CC0} , $V_{SS} = AV_{SS0} = V_{REFL} = V_{REFL0} = 0$ V, $T_a = -40$ to $+105^\circ\text{C}$

Item	Symbol	Min.	Typ.	Max.	Unit	Test Conditions
VCC rising gradient	SrVCC	0.02	—	20	ms/V	At cold start

Table 42.25 DC Characteristics (24)

Conditions: $V_{CC} = AV_{CC0} = 1.62$ to 5.5 V, $V_{SS} = AV_{SS0} = V_{REFL0} = 0$ V, $T_a = -40$ to $+105^\circ\text{C}$

The ripple voltage must meet the allowable ripple frequency $f_{r(VCC)}$ within the range between the VCC upper limit (5.5 V) and lower limit (1.62 V).

When VCC change exceeds $V_{CC} \pm 10\%$, the allowable voltage change rising/falling gradient dt/dV_{CC} must be met.

Item	Symbol	Min.	Typ.	Max.	Unit	Test Conditions
Allowable ripple frequency	$f_{r(VCC)}$	—	—	10	kHz	Figure 42.44 $V_{CC} \times 0.1 < V_{r(VCC)} \leq V_{CC} \times 0.2$
		—	—	1	MHz	Figure 42.44 $V_{CC} \times 0.05 < V_{r(VCC)} \leq V_{CC} \times 0.1$
		—	—	10	MHz	Figure 42.44 $V_{r(VCC)} \leq V_{CC} \times 0.05$
Allowable voltage change rising/falling gradient	dt/dV_{CC}	1.0	—	—	ms/V	When VCC change exceeds $V_{CC} \pm 10\%$

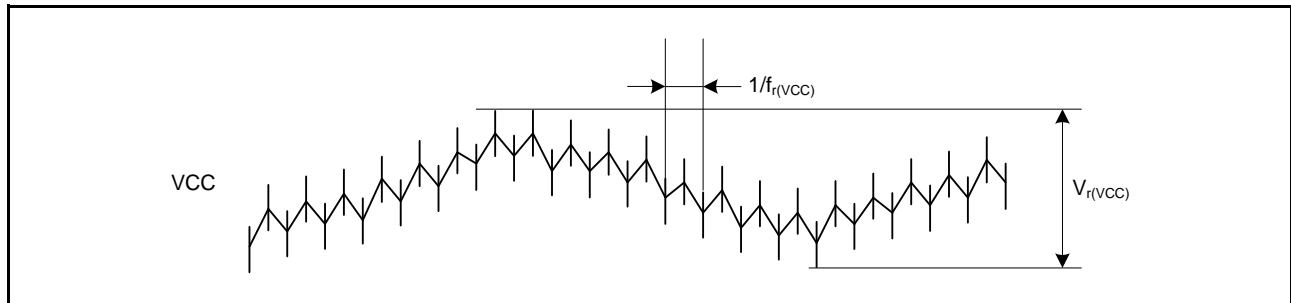


Figure 42.44 Ripple Waveform

Table 42.26 Permissible Output Currents (1)

Conditions: $V_{CC} = AV_{CC0} = 1.62$ to 5.5 V, $V_{SS} = AV_{SS0} = V_{REFL} = V_{REFL0} = 0$ V, when total power (mW) $< 1000 - 10 \times T_a$

Item	Symbol	Max.	Unit
Permissible output low current (average value per 1 pin)	I_{OL}	4.0	mA
		8.0	
Permissible output low current (maximum value per 1 pin)	I_{OL}	4.0	mA
		8.0	
Permissible output low current (total)	Total of all output pins	ΣI_{OL}	80 mA
Permissible output high current (average value per 1 pin)	I_{OH}	-4.0	mA
		-8.0	
Permissible output high current (maximum value per 1 pin)	I_{OH}	-4.0	mA
		-8.0	
Permissible output high current (total)	Total of all output pins	ΣI_{OH}	-80 mA

Table 42.27 Permissible Output Currents (2)Conditions: $V_{CC} = AV_{CC0} = 1.62$ to 5.5 V, $V_{SS} = AV_{SS0} = V_{REFL} = V_{REFL0} = 0$ V, when total power (mW) $\geq 1000 - 10 \times T_a$

Item		Symbol	Max.	Unit
Permissible output low current (average value per 1 pin)	Normal output mode	I_{OL}	2.0	mA
	High-drive output mode		4.0	
Permissible output low current (maximum value per 1 pin)	Normal output mode		2.0	mA
	High-drive output mode		4.0	
Permissible output low current (total)	Total of all output pins	ΣI_{OL}	40	mA
Permissible output high current (average value per 1 pin)	Normal output mode	I_{OH}	-2.0	mA
	High-drive output mode		-4.0	
Permissible output high current (maximum value per 1 pin)	Normal output mode		-2.0	mA
	High-drive output mode		-4.0	
Permissible output high current (total)	Total of all output pins	ΣI_{OH}	-40	mA

[Chip version A]

Table 42.28 Output Values of Voltage (1)Conditions: $V_{CC} = AV_{CC0} = 1.62$ to 2.7 V, $V_{SS} = AV_{SS0} = V_{REFL} = V_{REFL0} = 0$ V, $T_a = -40$ to $+105^\circ\text{C}$

Item			Symbol	Min.	Max.	Unit	Test Conditions
Output low	All output pins (other than RIIC)	Normal output mode	V_{OL}	—	0.4	V	$I_{OL} = 0.5$ mA
		High-drive output mode		—	0.4		$I_{OL} = 1.0$ mA
Output high	All output pins	Normal output mode	V_{OH}	$V_{CC} - 0.4$	—	V	$I_{OH} = -0.5$ mA
		High-drive output mode		$V_{CC} - 0.4$	—		$I_{OH} = -1.0$ mA

[Chip version A]

Table 42.29 Output Values of Voltage (2)Conditions: $V_{CC} = AV_{CC0} = 2.7$ to 5.5 V, $V_{SS} = AV_{SS0} = V_{REFL} = V_{REFL0} = 0$ V, $T_a = -40$ to $+105^\circ\text{C}$

Item			Symbol	Min.	Max.	Unit	Test Conditions	
							$V_{CC} = 2.7$ to 4.0 V	$V_{CC} = 4.0$ to 5.5 V
Output low	All output pins (other than RIIC)	Normal output mode	V_{OL}	—	1.0	V	$I_{OL} = 3.0$ mA	$I_{OL} = 4.0$ mA
		High-drive output mode		—	1.0		$I_{OL} = 5.0$ mA	$I_{OL} = 8.0$ mA
	RIIC pins		—	0.4	$I_{OL} = 3.0$ mA			
			—	0.6	$I_{OL} = 6.0$ mA			
Output high	All output pins	Normal output mode	V_{OH}	$V_{CC} - 1.0$	—	V	$I_{OH} = -3.0$ mA	$I_{OH} = -4.0$ mA
		High-drive output mode		$V_{CC} - 1.0$	—		$I_{OH} = -5.0$ mA	$I_{OH} = -8.0$ mA

[Chip versions B and C]

Table 42.30 Output Values of Voltage (3)Conditions: $V_{CC} = AV_{CC0} = 1.62$ to 2.7 V, $V_{SS} = AV_{SS0} = V_{REFL} = V_{REFL0} = 0$ V, $T_a = -40$ to $+105^\circ\text{C}$

Item			Symbol	Min.	Max.	Unit	Test Conditions
Output low	All output pins (other than RIIC)	Normal output mode	V_{OL}	—	0.3	V	$I_{OL} = 0.5$ mA
		High-drive output mode		—	0.3		$I_{OL} = 1.0$ mA
Output high	All output pins	Normal output mode	V_{OH}	$V_{CC} - 0.3$	—	V	$I_{OH} = -0.5$ mA
		High-drive output mode		$V_{CC} - 0.3$	—		$I_{OH} = -1.0$ mA

[Chip versions B and C]

Table 42.31 Output Values of Voltage (4)

Conditions: $V_{CC} = AV_{CC0} = 2.7$ to 4.0 V, $V_{SS} = AV_{SS0} = V_{REFL} = V_{REFL0} = 0$ V, $T_a = -40$ to $+105^\circ\text{C}$

Item			Symbol	Min.	Max.	Unit	Test Conditions
Output low	All output pins (other than RIIC)	Normal output mode	V_{OL}	—	0.5	V	$I_{OL} = 1.0$ mA
		High-drive output mode		—	0.5		$I_{OL} = 2.0$ mA
	RIIC pins			—	0.4		$I_{OL} = 3.0$ mA
				—	0.6		$I_{OL} = 6.0$ mA
Output high	All output pins	Normal output mode	V_{OH}	$V_{CC} - 0.5$	—	V	$I_{OH} = -1.0$ mA
		High-drive output mode		$V_{CC} - 0.5$	—		$I_{OH} = -2.0$ mA

[Chip versions B and C]

Table 42.32 Output Values of Voltage (5)

Conditions: $V_{CC} = AV_{CC0} = 4.0$ to 5.5 V, $V_{SS} = AV_{SS0} = V_{REFL} = V_{REFL0} = 0$ V, $T_a = -40$ to $+105^\circ\text{C}$

Item			Symbol	Min.	Max.	Unit	Test Conditions
Output low	All output pins (other than RIIC)	Normal output mode	V_{OL}	—	0.8	V	$I_{OL} = 2.0$ mA
		High-drive output mode		—	0.8		$I_{OL} = 4.0$ mA
	RIIC pins			—	0.4		$I_{OL} = 3.0$ mA
				—	0.6		$I_{OL} = 6.0$ mA
Output high	All output pins	Normal output mode	V_{OH}	$V_{CC} - 0.8$	—	V	$I_{OH} = -2.0$ mA
		High-drive output mode		$V_{CC} - 0.8$	—		$I_{OH} = -4.0$ mA

42.2.1 Standard I/O Pin Output Characteristics (1)

Figure 42.45 to Figure 42.49 show the characteristics when normal output is selected by the drive capacity control register.

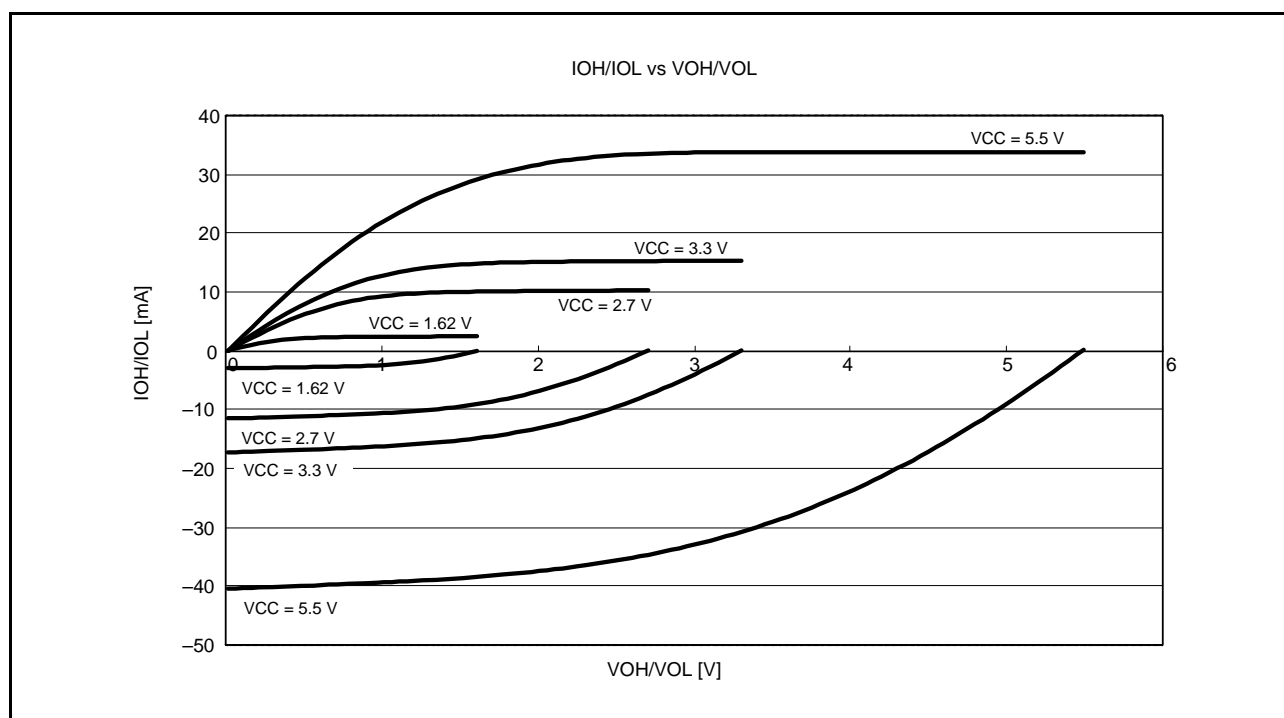


Figure 42.45 VOH/VOL and IOH/IOL Voltage Characteristics at $T_a = 25^\circ\text{C}$ when Normal Output is Selected (Reference Data)

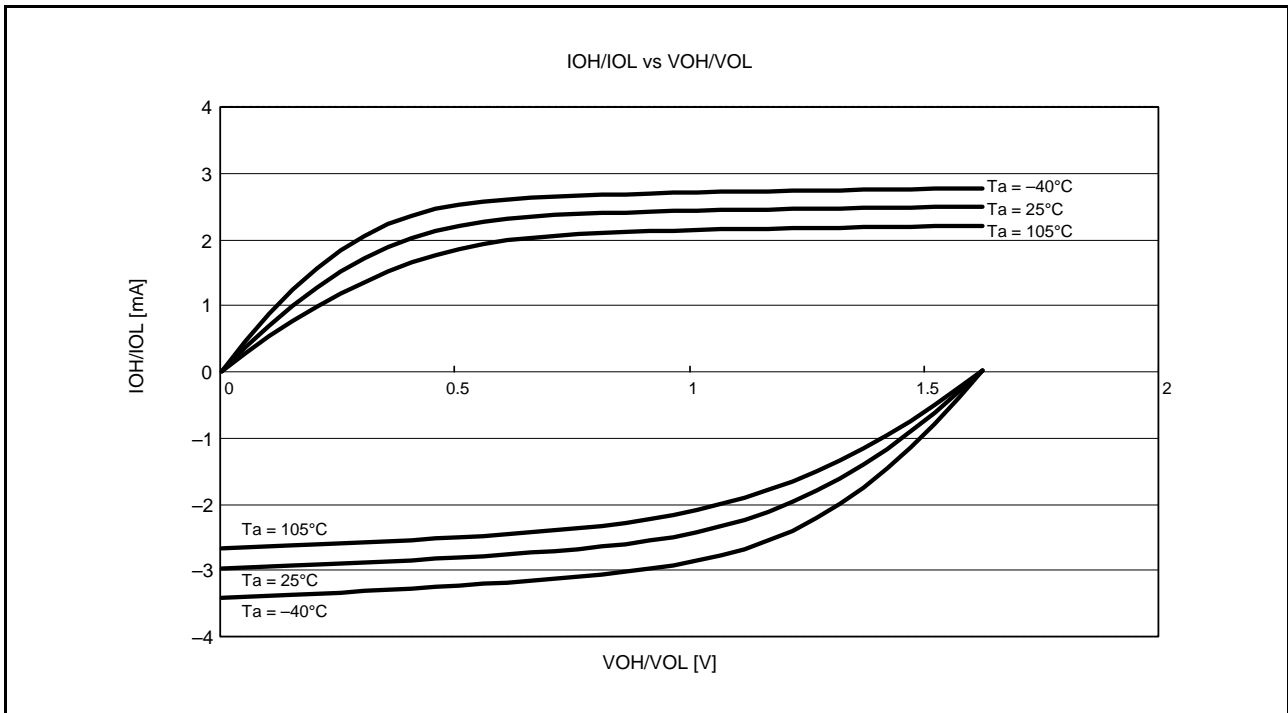


Figure 42.46 VOH/VOL and IOH/IOL Temperature Characteristics at VCC = 1.62 V when Normal Output is Selected (Reference Data)

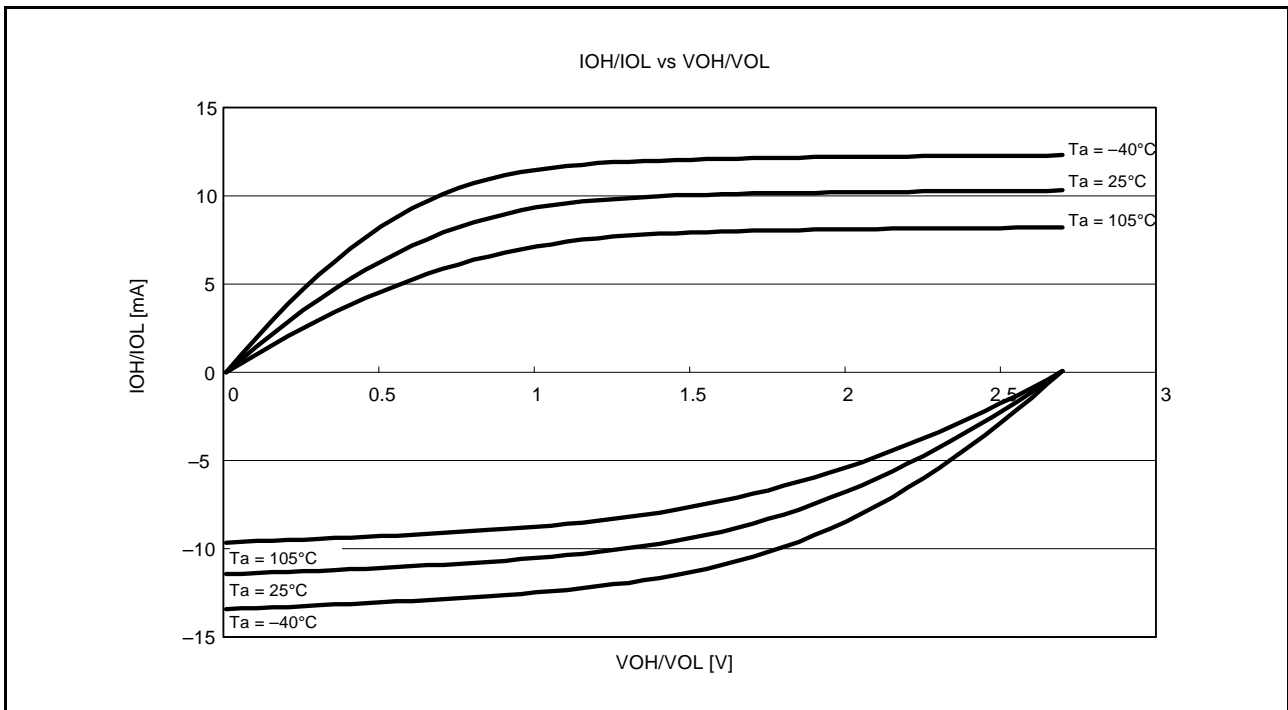


Figure 42.47 VOH/VOL and IOH/IOL Temperature Characteristics at VCC = 2.7 V when Normal Output is Selected (Reference Data)

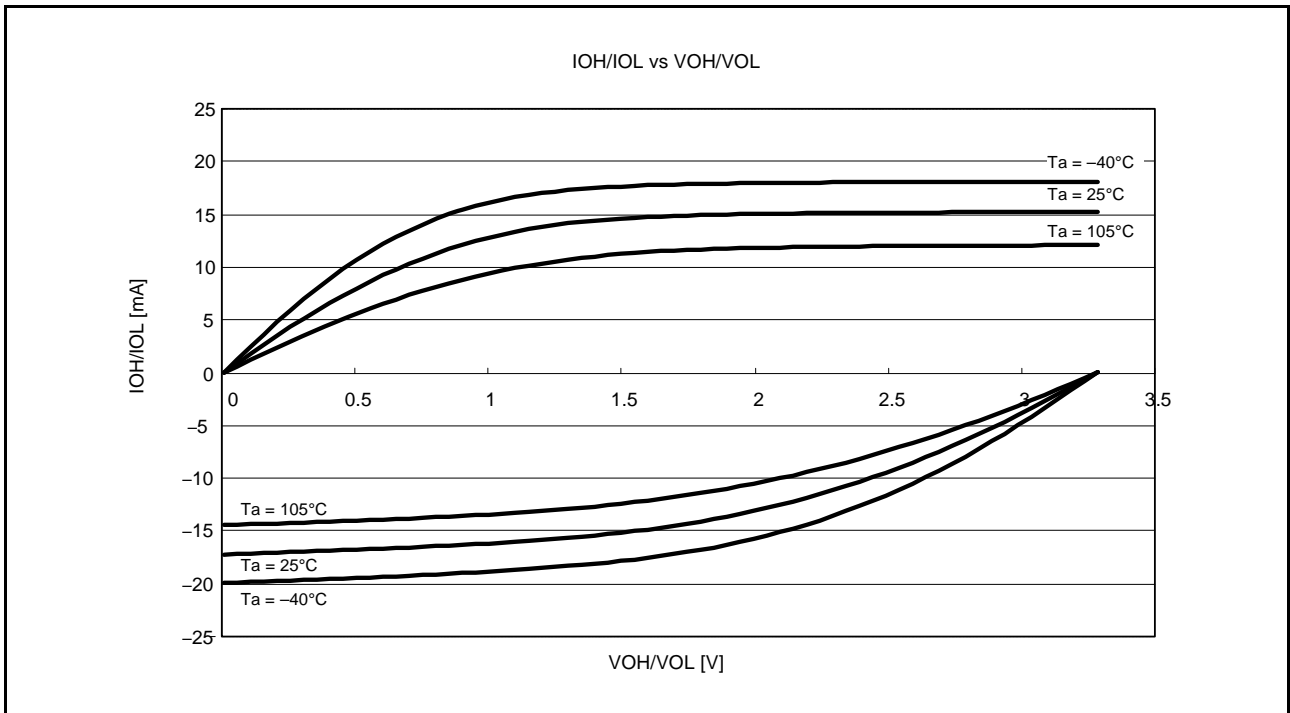


Figure 42.48 VOH/VOL and IOH/IOL Temperature Characteristics at VCC = 3.3 V when Normal Output is Selected (Reference Data)

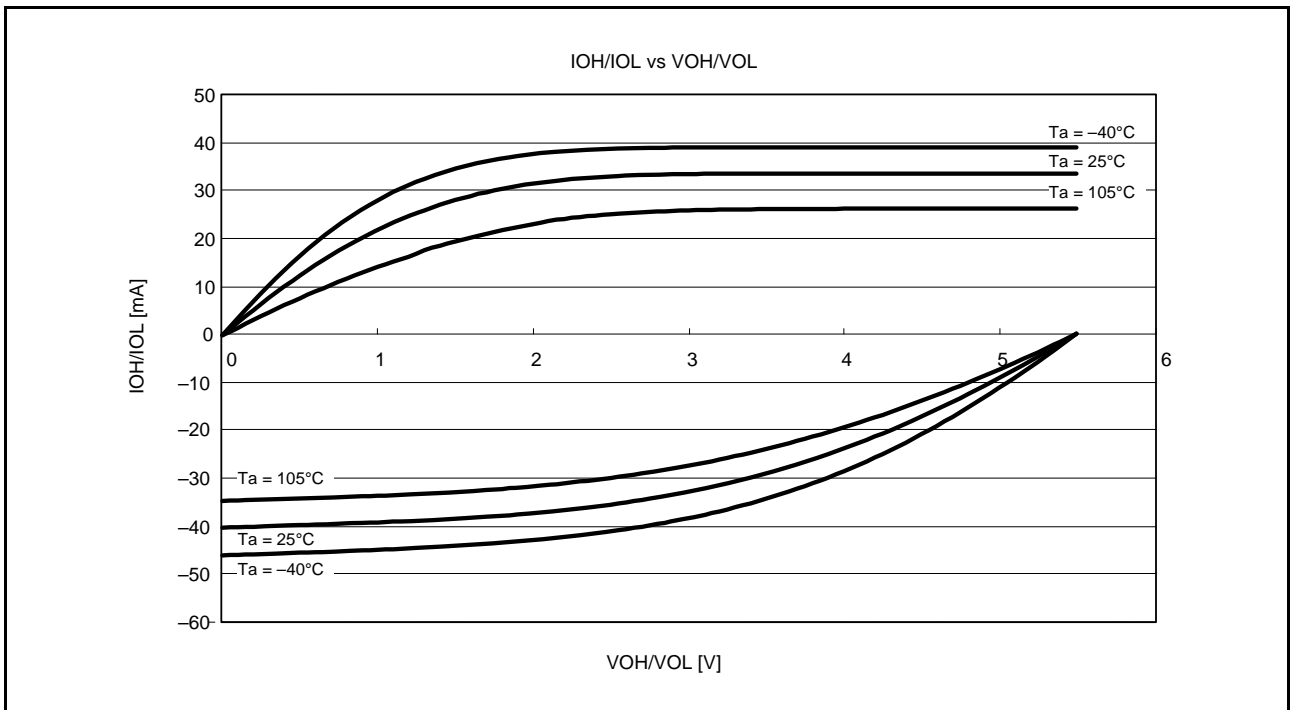


Figure 42.49 VOH/VOL and IOH/IOL Temperature Characteristics at VCC = 5.5 V when Normal Output is Selected (Reference Data)

42.2.2 Standard I/O Pin Output Characteristics (2)

Figure 42.50 to Figure 42.54 show the characteristics when high-drive output is selected by the drive capacity control register.

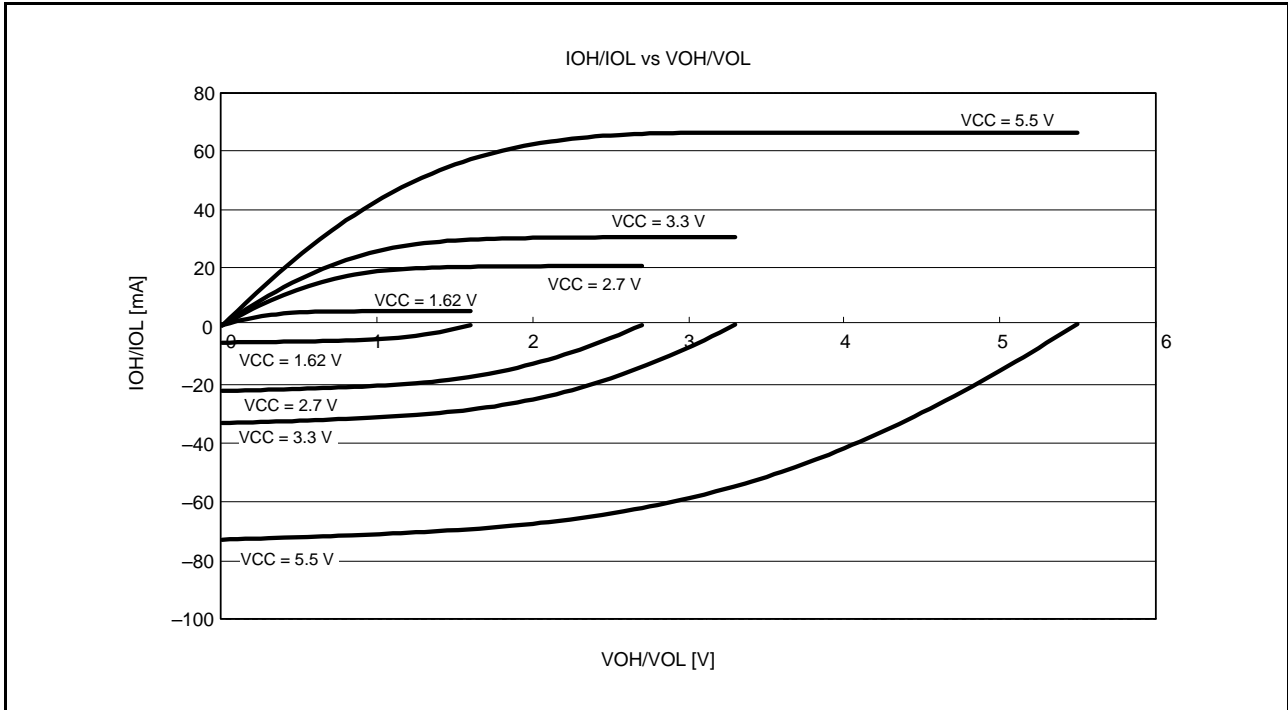


Figure 42.50 VOH/VOL and IOH/IOL Voltage Characteristics at Ta = 25°C when High-Drive Output is Selected (Reference Data)

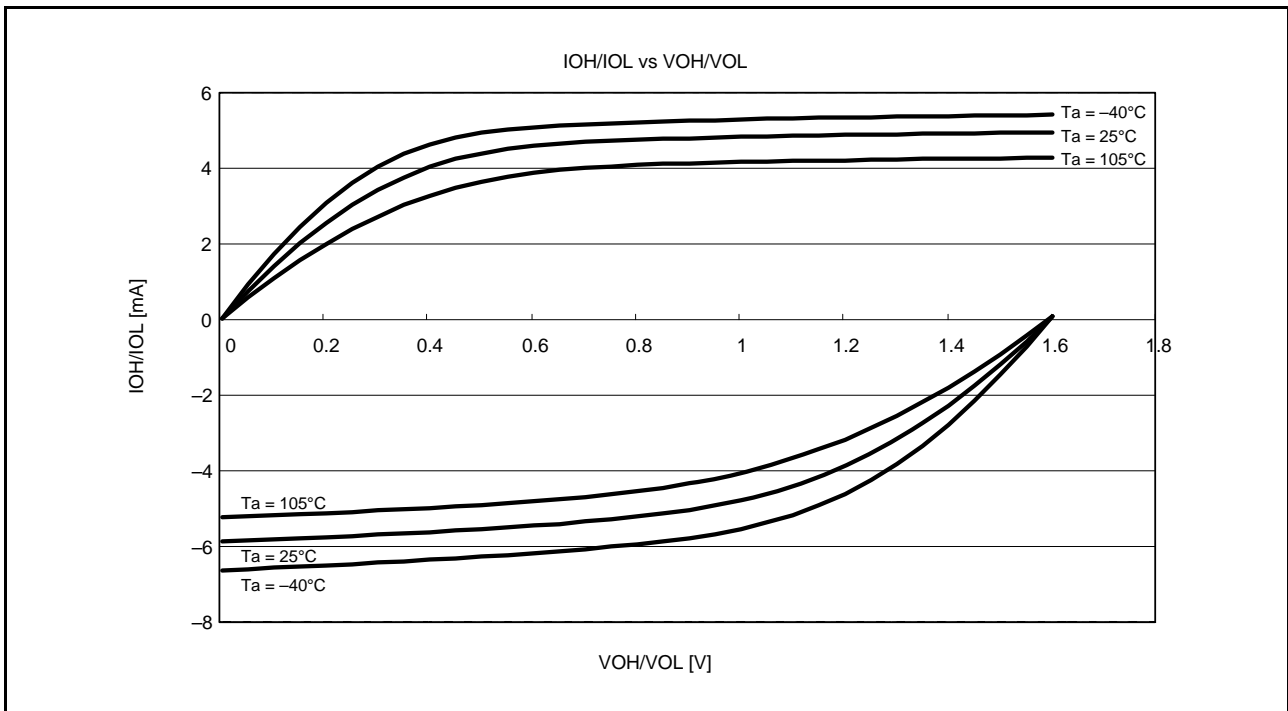


Figure 42.51 VOH/VOL and IOH/IOL Temperature Characteristics at VCC = 1.62 V when High-Drive Output is Selected (Reference Data)

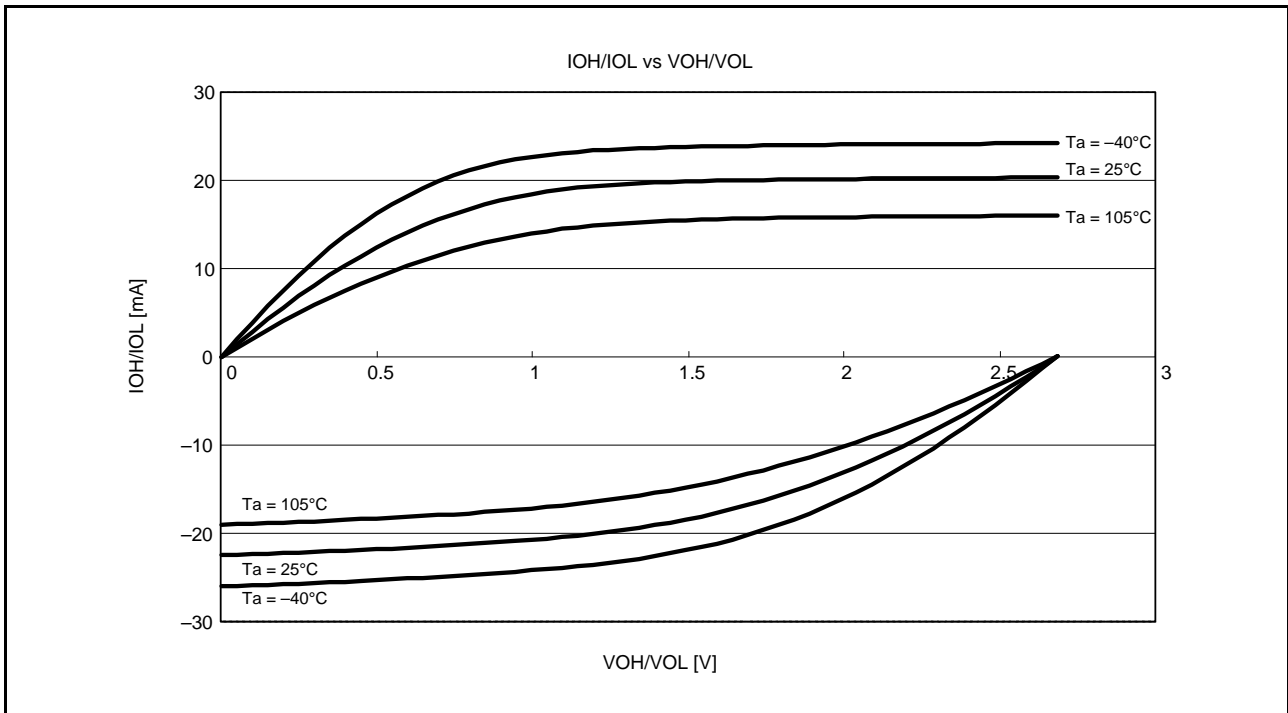


Figure 42.52 VOH/VOL and IOH/IOL Temperature Characteristics at VCC = 2.7 V when High-Drive Output is Selected (Reference Data)

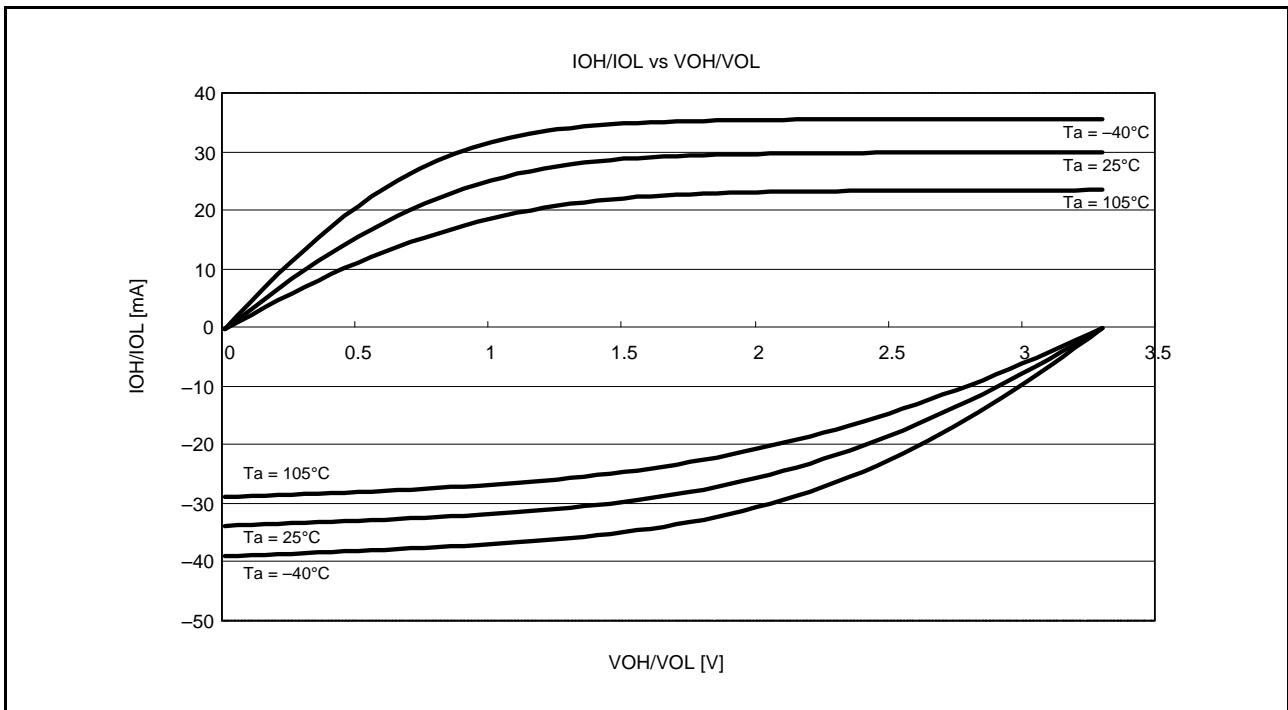


Figure 42.53 VOH/VOL and IOH/IOL Temperature Characteristics at VCC = 3.3 V when High-Drive Output is Selected (Reference Data)

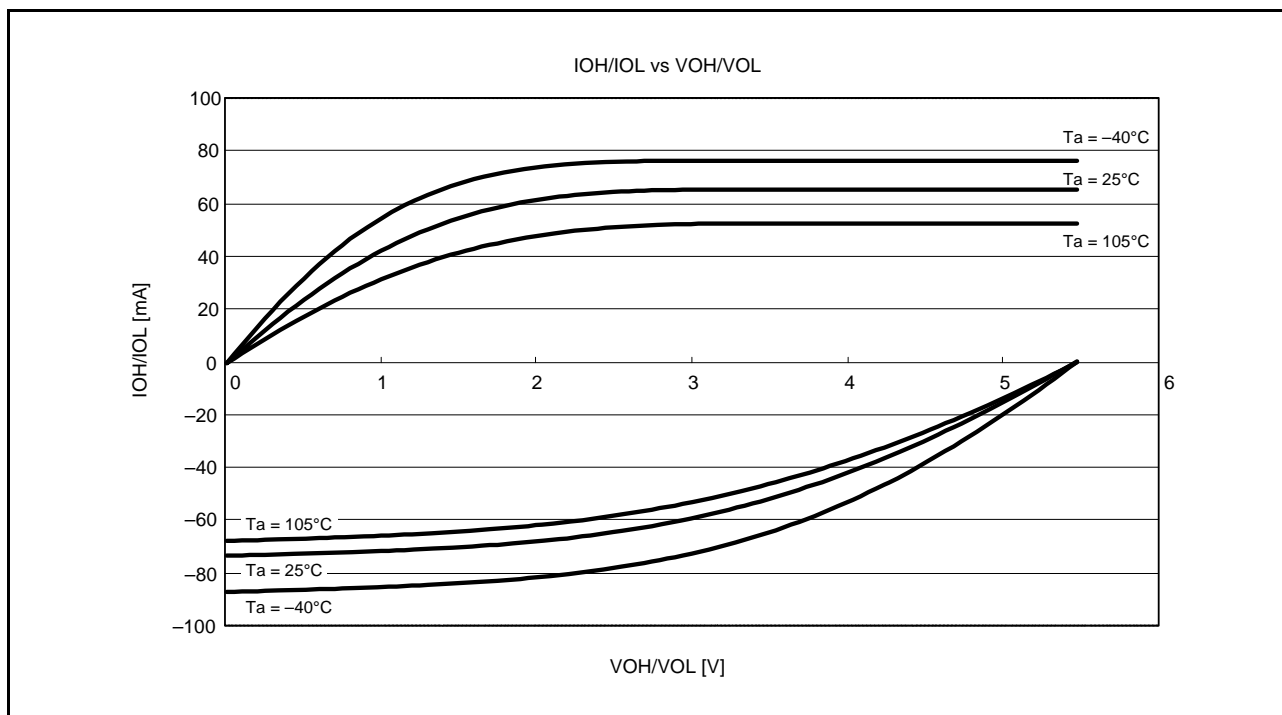


Figure 42.54 VOH/VOL and IOH/IOL Temperature Characteristics at VCC = 5.5 V when High-Drive Output is Selected (Reference Data)

42.2.3 RIIC Pin Output Characteristics

Figure 42.55 to Figure 42.58 show the output characteristics of the RIIC pin.

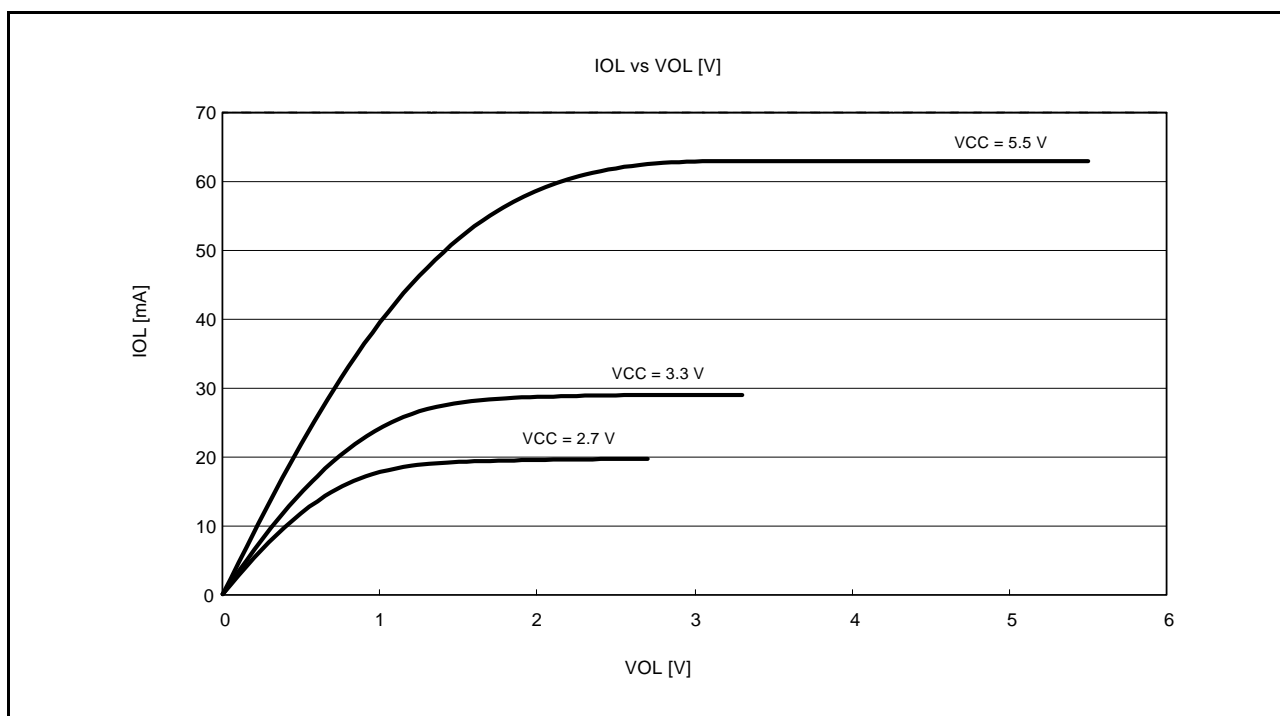


Figure 42.55 VOL and IOL Voltage Characteristics of RIIC Output Pin at Ta = 25°C (Reference Data)

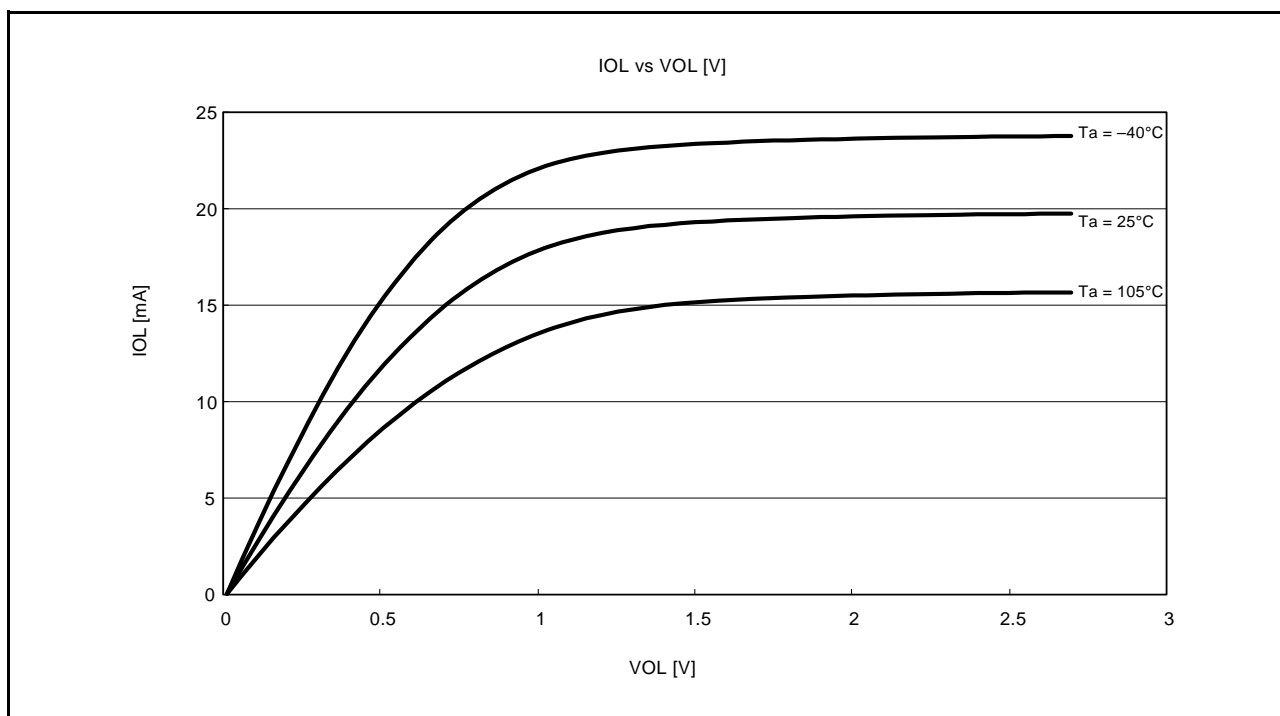


Figure 42.56 VOL and IOL Temperature Characteristics of RIIC Output Pin at VCC = 2.7 V (Reference Data)

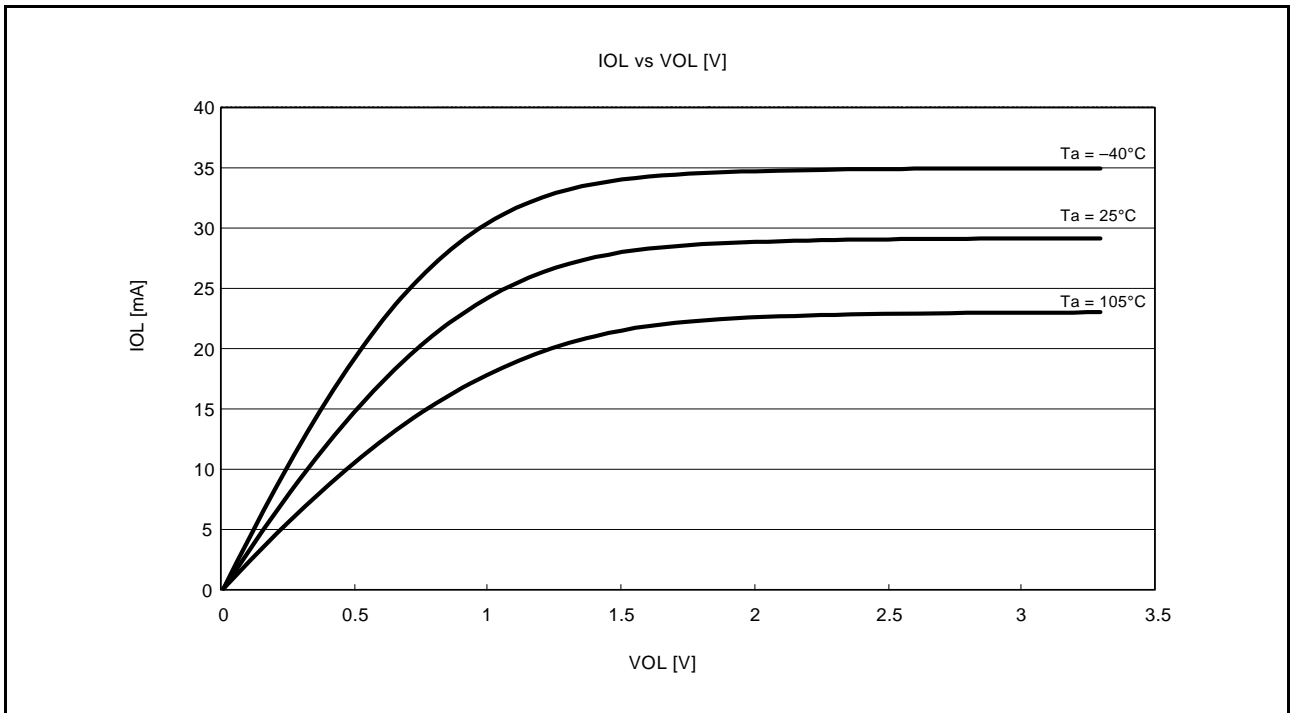


Figure 42.57 VOL and IOL Temperature Characteristics of RIIC Output Pin at VCC = 3.3 V (Reference Data)

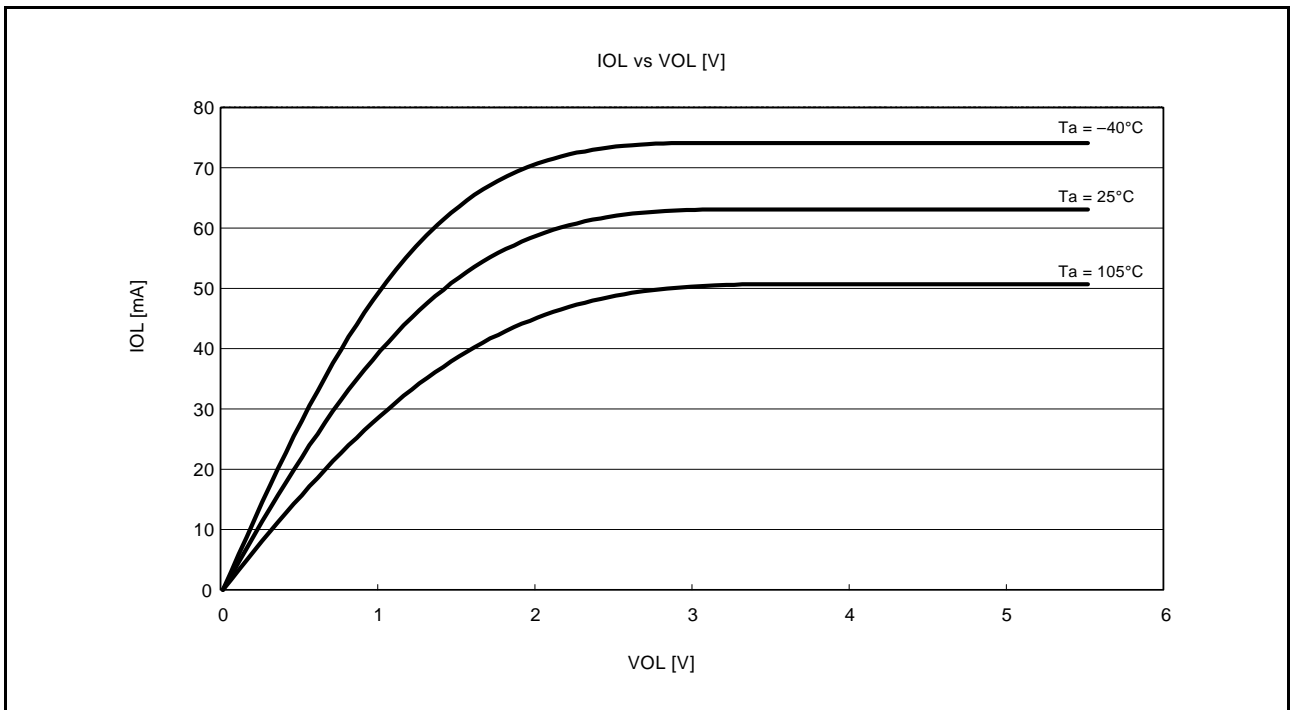


Figure 42.58 VOL and IOL Temperature Characteristics of RIIC Output Pin at VCC = 5.5 V (Reference Data)

42.3 AC Characteristics

[Chip versions A, B, and C]

Table 42.33 Operation Frequency Value (High-Speed Operating Mode)

Conditions: VCC = AVCC0 = 2.7 to 5.5 V, VSS = AVSS0 = VREFL = VREFL0 = 0 V, T_a = -40 to +105°C

Item	Symbol	VCC		Unit
		2.7 to 5.5 V		
Maximum operating frequency	System clock (ICLK)	f _{max}	50	MHz
	FlashIF clock (FCLK)*1		32	
	Peripheral module clock (PCLKB)		32	
	Peripheral module clock (PCLKD)*2		50	
	External bus clock (BCLK)		25	
	BCLK pin output		12.5	

Note 1. The lower-limit frequency of FCLK is 4 MHz during programming or erasing of the flash memory.

Note 2. The lower-limit frequency of PCLKD is 1 MHz when the A/D converter is in use.

[Chip versions A, B, and C]

Table 42.34 Operation Frequency Value (MiddleSpeed Operating Mode 1A)

Conditions: VCC = AVCC0 = 1.62 to 5.5 V, VSS = AVSS0 = VREFL = VREFL0 = 0 V, T_a = -40 to +105°C

Item	Symbol	VCC			Unit	
		1.62 to 1.8 V	1.8 to 2.7 V	2.7 to 5.5 V		
Maximum operating frequency	System clock (ICLK)	f _{max}	20	32	32	MHz
	FlashIF clock (FCLK)*1		20	32	32	
	Peripheral module clock (PCLKB)		20	32	32	
	Peripheral module clock (PCLKD)*2		20	32	32	
	External bus clock (BCLK)		12	16	25	
	BCLK pin output		6	8	12.5	

Note 1. The VCC is 2.7 to 5.5 V and the lower-limit frequency of FCLK is 4 MHz during programming or erasing of the flash memory.

Note 2. The lower-limit frequency of PCLKD is 1 MHz when the A/D converter is in use.

[Chip versions A, B, and C]

Table 42.35 Operation Frequency Value (Middle-Speed Operating Mode 1B)

Conditions: VCC = AVCC0 = 1.62 to 5.5 V, VSS = AVSS0 = VREFL = VREFL0 = 0 V, T_a = -40 to +105°C

Item	Symbol	VCC			Unit	
		1.62 to 1.8 V	1.8 to 2.7 V	2.7 to 5.5 V		
Maximum operating frequency	System clock (ICLK)	f _{max}	20	32	32	MHz
	FlashIF clock (FCLK)*1		20	32	32	
	Peripheral module clock (PCLKB)		20	32	32	
	Peripheral module clock (PCLKD)*2		20	32	32	
	External bus clock (BCLK)		12	16	25	
	BCLK pin output		6	8	12.5	

Note 1. The VCC is 1.62 to 3.6 V and the lower-limit frequency of FCLK is 4 MHz during programming or erasing of the flash memory.

Note 2. The lower-limit frequency of PCLKD is 1 MHz when the A/D converter is in use.

[Chip version B]

Table 42.36 Operation Frequency Value (Middle-Speed Operating Mode 2A)Conditions: VCC = AVCC0 = 1.62 to 5.5 V, VSS = AVSS0 = VREFL = VREFL0 = 0 V, T_a = -40 to +105°C

Item	Symbol	VCC			Unit	
		1.62 to 1.8 V	1.8 to 2.7 V	2.7 to 5.5 V		
Maximum operating frequency	System clock (ICLK)	f _{max}	8	16	32	MHz
	FlashIF clock (FCLK)*1		8	16	32	
	Peripheral module clock (PCLKB)		8	16	32	
	Peripheral module clock (PCLKD)*2		8	16	32	
	External bus clock (BCLK)		8	16	25	
	BCLK pin output		8	8	12.5	

Note 1. The VCC is 2.7 to 5.5 V and the lower-limit frequency of FCLK is 4 MHz during programming or erasing of the flash memory.

Note 2. The lower-limit frequency of PCLKD is 1 MHz when the A/D converter is in use.

[Chip version B]

Table 42.37 Operation Frequency Value (Middle-Speed Operating Mode 2B)Conditions: VCC = AVCC0 = 1.62 to 5.5 V, VSS = AVSS0 = VREFL = VREFL0 = 0 V, T_a = -40 to +105°C

Item	Symbol	VCC			Unit	
		1.62 to 1.8 V	1.8 to 2.7 V	2.7 to 5.5 V		
Maximum operating frequency	System clock (ICLK)	f _{max}	8	16	32	MHz
	FlashIF clock (FCLK)*1		8	16	32	
	Peripheral module clock (PCLKB)		8	16	32	
	Peripheral module clock (PCLKD)*2		8	16	32	
	External bus clock (BCLK)		8	16	25	
	BCLK pin output		8	8	12.5	

Note 1. The VCC is 1.62 to 3.6 V and the lower-limit frequency of FCLK is 4 MHz during programming or erasing of the flash memory.

Note 2. The lower-limit frequency of PCLKD is 1 MHz when the A/D converter is in use.

[Chip versions A and C]

Table 42.38 Operation Frequency Value (Low-Speed Operating Mode 1)Conditions: VCC = AVCC0 = 1.62 to 5.5 V, VSS = AVSS0 = VREFL = VREFL0 = 0 V, T_a = -40 to +105°C

Item	Symbol	VCC			Unit	
		1.62 to 1.8 V	1.8 to 2.7 V	2.7 to 5.5 V		
Maximum operating frequency	System clock (ICLK)	f _{max}	1	1	1	MHz
	FlashIF clock (FCLK)*1		1	1	1	
	Peripheral module clock (PCLKB)		1	1	1	
	Peripheral module clock (PCLKD)*2		1	1	1	
	External bus clock (BCLK)		1	1	1	
	BCLK pin output		1	1	1	

Note 1. Programming and erasing the flash memory is impossible.

Note 2. The lower-limit frequency of PCLKD is 1 MHz when the A/D converter is in use.

[Chip version B]

Table 42.39 Operation Frequency Value (Low-Speed Operating Mode 1)Conditions: $V_{CC} = AV_{CC0} = 1.62$ to 5.5 V, $V_{SS} = AV_{SS0} = V_{REFL} = V_{REFL0} = 0$ V, $T_a = -40$ to $+105^\circ\text{C}$

Item	Symbol	VCC			Unit	
		1.62 to 1.8 V	1.8 to 2.7 V	2.7 to 5.5 V		
Maximum operating frequency	System clock (ICLK)	f_{\max}	2	4	8	MHz
	FlashIF clock (FCLK)*1		2	4	8	
	Peripheral module clock (PCLKB)		2	4	8	
	Peripheral module clock (PCLKD)*2		2	4	8	
	External bus clock (BCLK)		2	4	8	
	BCLK pin output		2	4	8	

Note 1. Programming and erasing the flash memory is impossible.

Note 2. The lower-limit frequency of PCLKD is 1 MHz when the A/D converter is in use.

[Chip versions A, B, and C]

Table 42.40 Operation Frequency Value (Low-Speed Operating Mode 2)Conditions: $V_{CC} = AV_{CC0} = 1.62$ to 5.5 V, $V_{SS} = AV_{SS0} = V_{REFL} = V_{REFL0} = 0$ V, $T_a = -40$ to $+105^\circ\text{C}$

Item	Symbol	VCC			Unit	
		1.62 to 1.8 V	1.8 to 2.7 V	2.7 to 5.5 V		
Maximum operating frequency	System clock (ICLK)	f_{\max}	32.768	32.768	32.768	kHz
	FlashIF clock (FCLK)*1		32.768	32.768	32.768	
	Peripheral module clock (PCLKB)		32.768	32.768	32.768	
	Peripheral module clock (PCLKD)*2		32.768	32.768	32.768	
	External bus clock (BCLK)		32.768	32.768	32.768	
	BCLK pin output		32.768	32.768	32.768	

Note 1. Programming and erasing the flash memory is impossible.

Note 2. The A/D converter cannot be used.

42.3.1 Clock Timing

Table 42.41 BCLK Timing (1)

Conditions: $V_{CC} = AV_{CC0} = 2.7$ to 5.5 V, $V_{SS} = AV_{SS0} = V_{REFL} = V_{REFL0} = 0$ V,
 $f_{BCLK} =$ up to 25 MHz (BCLK pin output frequency = up to 12.5 MHz), $T_a = -40$ to $+105^\circ\text{C}$

Item	Symbol	Min.	Typ.	Max.	Unit	Test Conditions
BCLK pin output cycle time	t_{Bcyc}	80	—	—	ns	Figure 42.59
BCLK pin output high pulse width*1	t_{CH}	20	—	—	ns	
BCLK pin output low pulse width*1	t_{CL}	20	—	—	ns	
BCLK pin output rising time	t_{Cr}	—	—	15	ns	
BCLK pin output falling time	t_{Cf}	—	—	15	ns	

Note 1. When the EXTAL external clock input is used with divided by 1 (SCKCR.BCK[3:0] bits = 0000b and BCKCR.BCLKDIV bit = 0) to output from the BCLK pin, the above should be satisfied with a duty cycle of 45 to 55%.

Table 42.42 BCLK Timing (2)

Conditions: $V_{CC} = AV_{CC0} = 1.8$ to 2.7 V, $V_{SS} = AV_{SS0} = V_{REFL} = V_{REFL0} = 0$ V,
 $f_{BCLK} =$ up to 16 MHz (BCLK pin output frequency = up to 8 MHz), $T_a = -40$ to $+105^\circ\text{C}$

Item	Symbol	Min.	Typ.	Max.	Unit	Test Conditions
BCLK pin output cycle time	t_{Bcyc}	125	—	—	ns	Figure 42.59
BCLK pin output high pulse width*1	t_{CH}	30	—	—	ns	
BCLK pin output low pulse width*1	t_{CL}	30	—	—	ns	
BCLK pin output rising time	t_{Cr}	—	—	25	ns	
BCLK pin output falling time	t_{Cf}	—	—	25	ns	

Note 1. When the EXTAL external clock input is used with divided by 1 (SCKCR.BCK[3:0] bits = 0000b and BCKCR.BCLKDIV bit = 0) to output from the BCLK pin, the above should be satisfied with a duty cycle of 45 to 55%.

Table 42.43 BCLK Timing (3)

Conditions: $V_{CC} = AV_{CC0} = 1.62$ to 1.8 V, $V_{SS} = AV_{SS0} = V_{REFL} = V_{REFL0} = 0$ V,
 $f_{BCLK} =$ up to 12 MHz (BCLK pin output frequency = up to 6 MHz), $T_a = -40$ to $+105^\circ\text{C}$

Item	Symbol	Min.	Typ.	Max.	Unit	Test Conditions
BCLK pin output cycle time	t_{Bcyc}	166.6	—	—	ns	Figure 42.59
BCLK pin output high pulse width*1	t_{CH}	42	—	—	ns	
BCLK pin output low pulse width*1	t_{CL}	42	—	—	ns	
BCLK pin output rising time	t_{Cr}	—	—	35	ns	
BCLK pin output falling time	t_{Cf}	—	—	35	ns	

Note: • Set high driving ability for the output port pin to be used for the BCLK pin function.

Note 1. When the EXTAL external clock input is used with divided by 1 (SCKCR.BCK[3:0] bits = 0000b and BCKCR.BCLKDIV bit = 0) to output from the BCLK pin, the above should be satisfied with a duty cycle of 45 to 55%.

Table 42.44 Clock TimingConditions: $V_{CC} = AV_{CC0} = 1.62$ to 5.5 V, $V_{SS} = AV_{SS0} = V_{REFL} = V_{REFL0} = 0$ V, $T_a = -40$ to $+105^\circ\text{C}$

Item	Symbol	Min.	Typ.	Max.	Unit	Test Conditions
EXTAL external clock input cycle time	t_{EXcyc}	50	—	—	ns	Figure 42.60
EXTAL external clock input high pulse width	t_{EXH}	20	—	—	ns	
EXTAL external clock input low pulse width	t_{EXL}	20	—	—	ns	
EXTAL external clock rising time	t_{EXr}	—	—	5	ns	
EXTAL external clock falling time	t_{EXf}	—	—	5	ns	
EXTAL external clock input wait time*1	t_{EXWT}	1	—	—	ms	Figure 42.61
Main clock oscillator oscillation frequency*2	f_{MAIN}	1	—	20	MHz	
Main clock oscillator stabilization time (crystal)*2	$t_{MAINOSC}$	—	3	—	ms	
Main clock oscillator stabilization time (ceramic resonator)*2	$t_{MAINOSC}$	—	50	—	μs	
Main clock oscillator stabilization wait time (crystal)*2	$t_{MAINOSCWT}$	—	6	—	ms	
Main clock oscillator stabilization wait time (ceramic resonator)*2	$t_{MAINOSCWT}$	—	100	—	μs	
LOCO clock cycle time	t_{cyc}	7.27	8	8.89	μs	
LOCO clock oscillation frequency*6	f_{LOCO}	112.5	125	137.5	kHz	
LOCO clock oscillation stabilization wait time	t_{LOCOWT}	—	—	20	μs	
HOCO clock oscillation frequency*7	f_{HOCO}	31.680	32	32.320	MHz	Ta = 0 to 50°C
		36.495	36.864	37.233		
		39.600	40	40.400		
		49.500	50	50.500		
		31.520	32	32.480		Ta = -40 to 105°C
		36.311	36.864	37.417		
		39.400	40	40.600		
		49.250	50	50.750		
HOCO clock oscillation stabilization time 1	t_{HOCO1}	—	—	300	μs	Figure 42.63
HOCO clock oscillation stabilization time 2	t_{HOCO2}	—	—	175	μs	Figure 42.64
HOCO clock oscillation stabilization wait time	t_{HOCOWT}	—	—	350	μs	Figure 42.64
HOCO clock power supply stabilization time	t_{HOCOP}	—	—	350	μs	Figure 42.65
PLL input frequency	f_{PLLIN}	4	—	12.5	MHz	Figure 42.66
PLL circuit oscillation frequency	f_{PLL}	50	—	100	MHz	
PLL clock oscillation stabilization time	t_{PLL1}	—	—	500	μs	Figure 42.66
PLL clock oscillation stabilization wait time						
PLL clock oscillation stabilization time*4	t_{PLL2}	—	3.5*3	—	ms	Figure 42.67
PLL clock oscillation stabilization wait time*4						
PLL clock power supply stabilization time (for chip version B only)	t_{PLLPW}	—	—	30	μs	Figure 42.68
Sub-clock oscillator oscillation frequency	f_{SUB}	—	32.768	—	kHz	Figure 42.69
Sub-clock oscillator stabilization time*5	t_{SUBOSC}	2	—	—	s	
Sub-clock oscillator stabilization wait time*5	$t_{SUBOSCWT}$	4	—	—	s	

Note 1. The time interval from the time P36 and P37 are configured for input and the main clock oscillator stopping bit (MOSCCR.MOSTP) is set to 0 (operating) until the clock becomes available.

- Note 2. When specifying the main clock oscillator stabilization time, load the MOSCWTCR register with a stabilization time value that is greater than the resonator-vendor-recommended value. When determining the main lock oscillation stabilization wait time, allow an adequate margin (2 times is recommended) for the main clock oscillation stabilization time. Start using the main clock in the main clock oscillation stabilization wait time (tMAINOSCWT) after setting up the main clock oscillator for operation with the MOSCCR.MOSTP bit.
The indicated value is a reference value that is measured for an 8 MHz resonator.
- Note 3. Sum of the main clock oscillation stabilization time and the PLL oscillation stabilization time.
- Note 4. The indicated value is a reference value that is measured for an 8 MHz resonator.
- Note 5. When specifying the sub-clock oscillation stabilization time, load the SOSCWTCR register with the resonator-vendor-recommended stabilization time value minus 2 seconds. When determining the sub-clock oscillation stabilization wait time, allow an adequate margin (2 times is recommended) for the sub-clock oscillation stabilization time. Start using the sub-clock in the sub-clock oscillation stabilization wait time (tSUBOSCWT) after setting up the sub-clock oscillator for operation with the SOSCCR.SOSTP or RCR3.RTCEN bit.
- Note 6. There is no minimum or maximum value for 69-pin WLBGA.
- Note 7. Characteristic value before mounting on the board for 69-pin WLBGA.

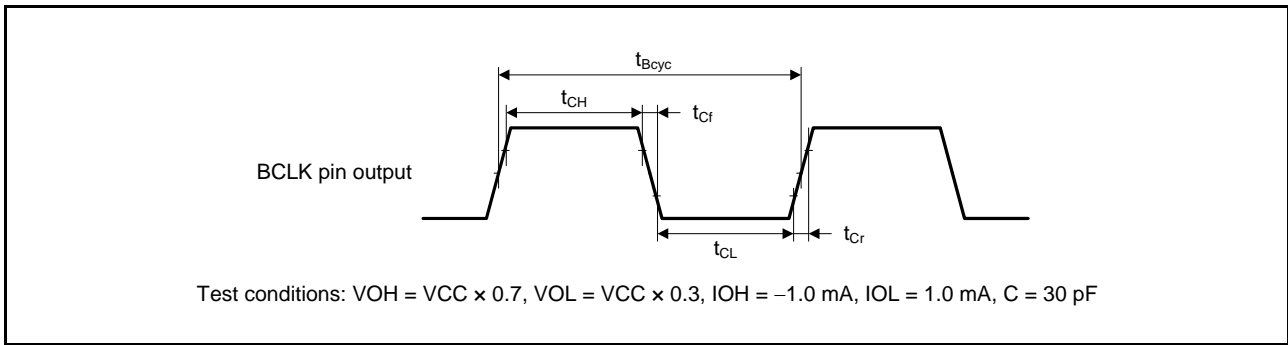


Figure 42.59 BCLK Pin Output Timing

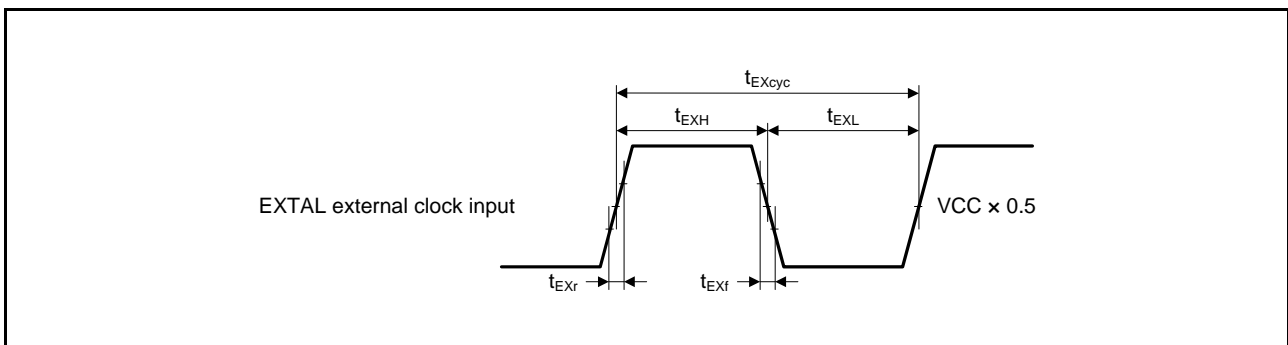


Figure 42.60 EXTAL External Clock Input Timing

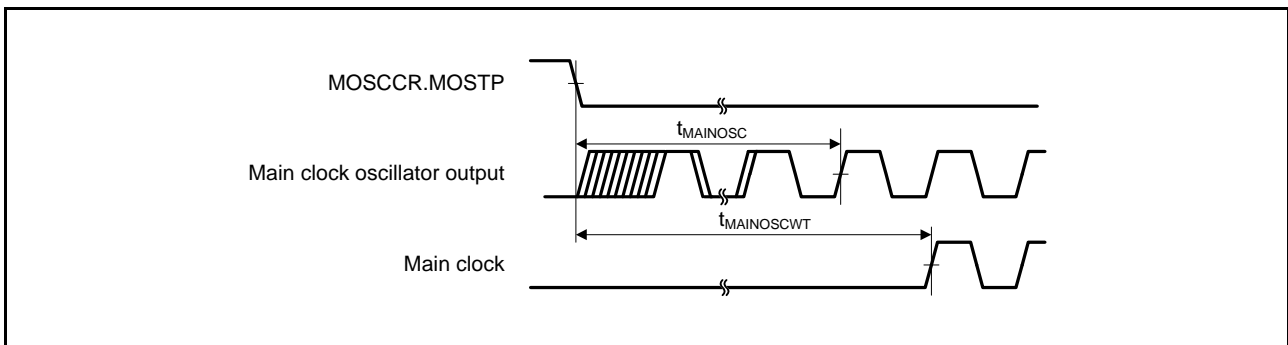


Figure 42.61 Main Clock Oscillation Start Timing

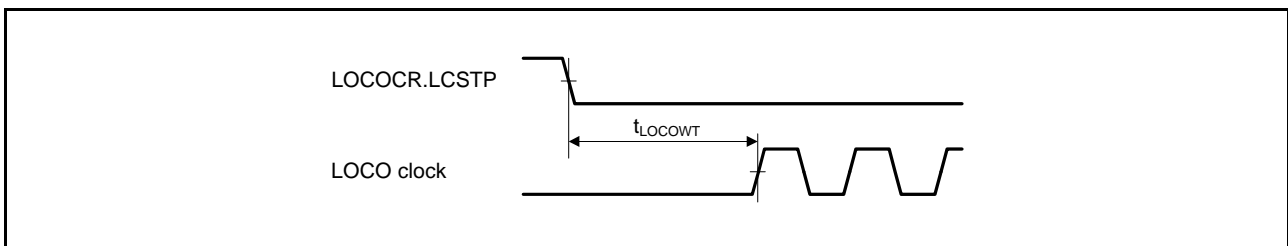


Figure 42.62 LOCO Clock Oscillation Start Timing

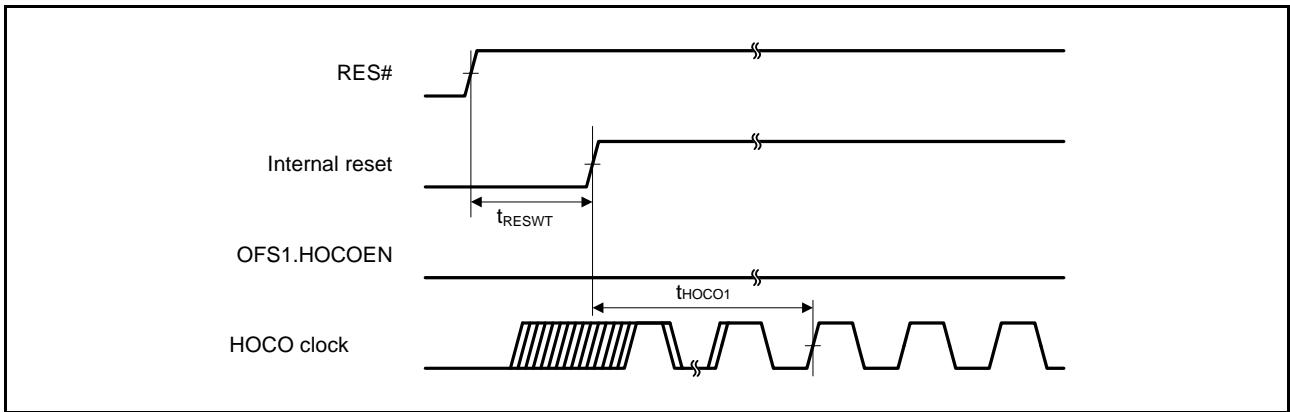


Figure 42.63 HOCO Clock Oscillation Start Timing (After Reset is Canceled by Setting the OFS1.HOCOEN Bit to 0)

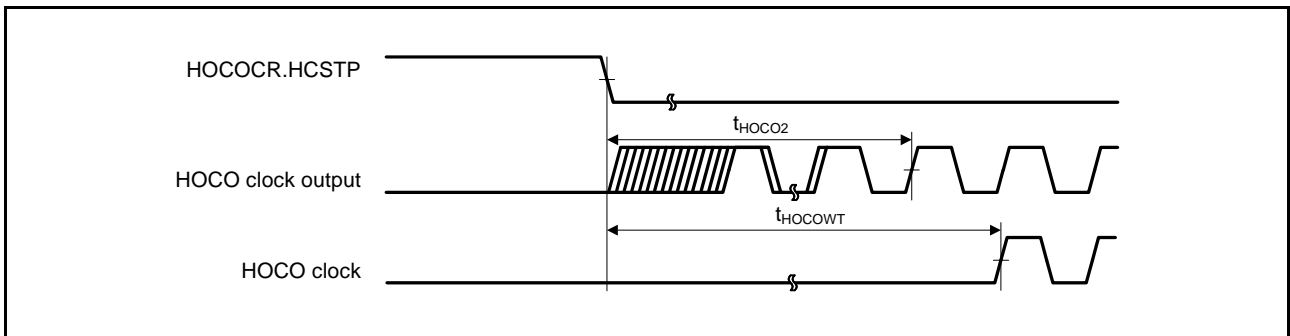


Figure 42.64 HOCO Clock Oscillation Start Timing (Oscillation is Started by Setting the HOCOCR.HCSTP Bit)

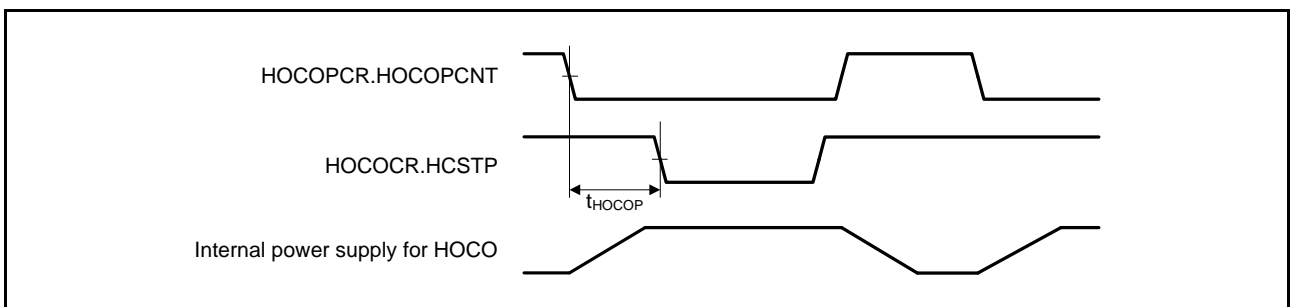


Figure 42.65 HOCO Power Control Timing

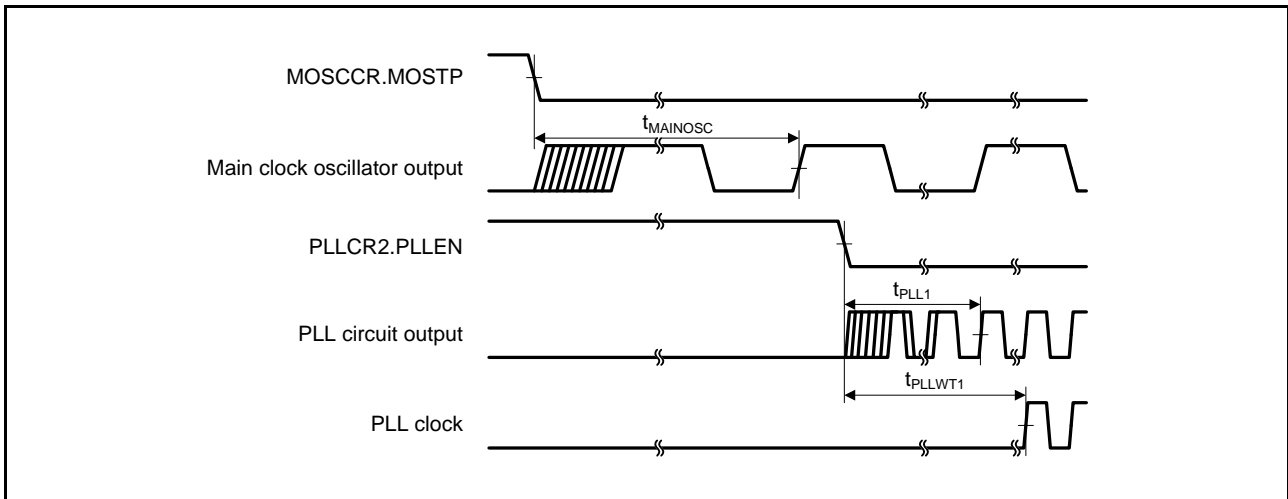


Figure 42.66 PLL Clock Oscillation Start Timing (PLL is Operated after Main Clock Oscillation Has Settled)

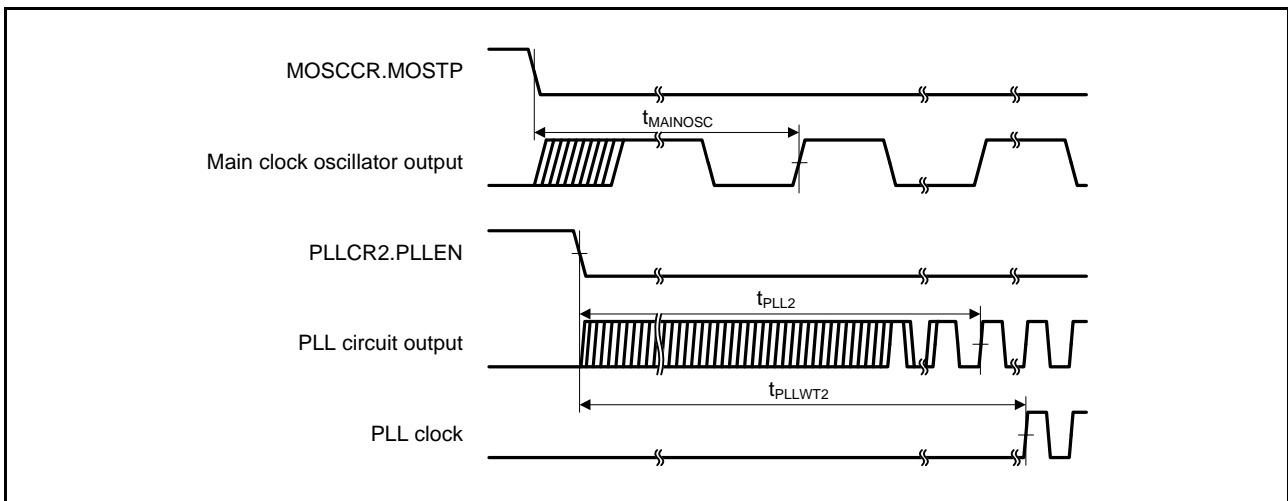


Figure 42.67 PLL Clock Oscillation Start Timing (PLL is Operated before Main Clock Oscillation Has Settled)

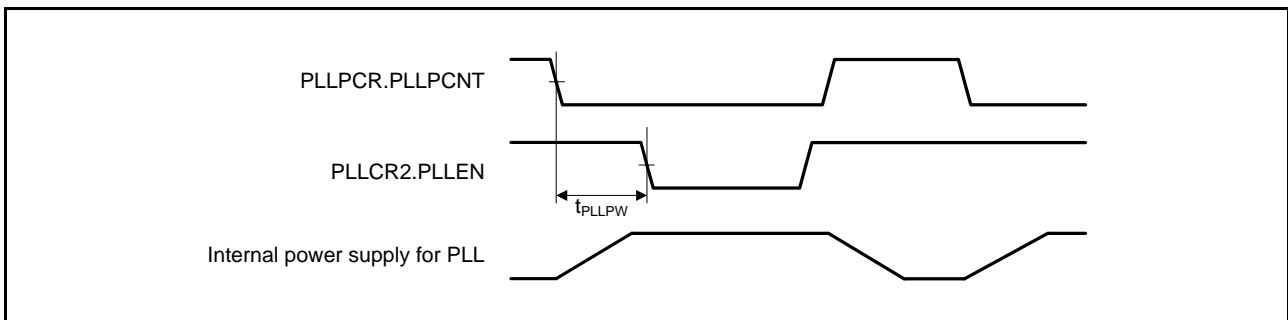


Figure 42.68 PLL Power Control Timing

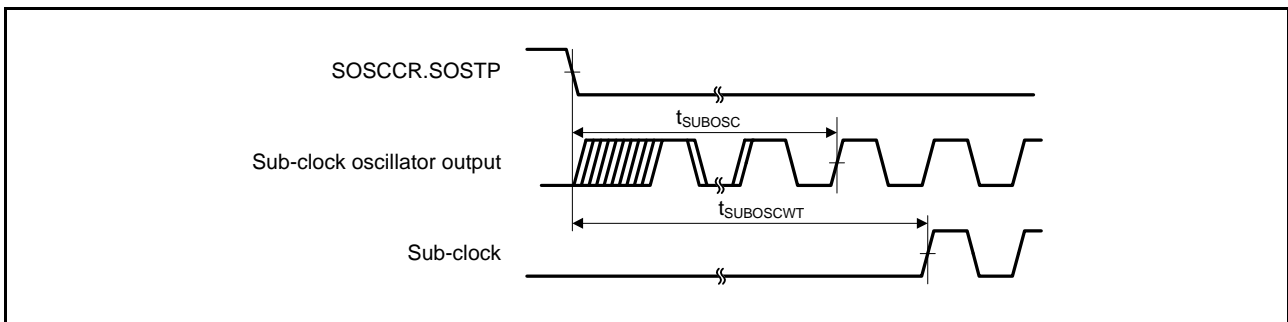


Figure 42.69 Sub-clock Oscillation Start Timing

42.3.2 Reset Timing

Table 42.45 Reset Timing

Conditions: VCC = AVCC0 = 1.62 to 5.5 V, VSS = AVSS0 = VREFL = VREFL0 = 0 V, Ta = -40 to +105°C

Item	Symbol	Min.	Typ.	Max.	Unit	Test Conditions	
RES# pulse width	Power-on	t _{RESWP}	8	—	—	ms	Figure 42.70
	Deep software standby mode	t _{RESWD}	8	—	—	ms	Figure 42.71
	Software standby mode, low-speed operating modes 1 and 2	t _{RESWS}	1	—	—	ms	
	Programming or erasure of the ROM or E2 DataFlash memory or blank checking of the E2 DataFlash memory	t _{RESWF}	200	—	—	μs	
	Other than above	t _{RESW}	200	—	—	μs	
Wait time after RES# cancellation	t _{RESWT}	—	—	912	μs	Figure 42.70	
Internal reset time (independent watchdog timer reset, watchdog timer reset, software reset)	t _{RESW2}	—	—	1.4	ms		

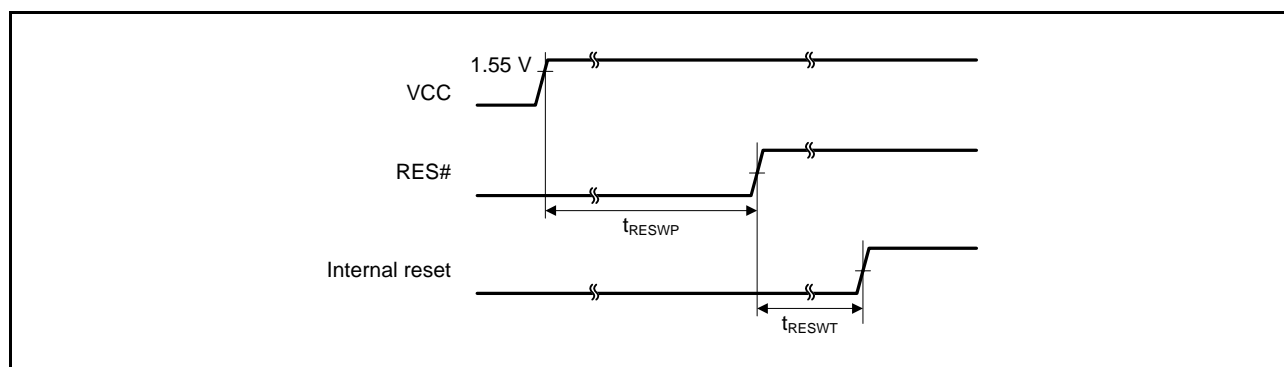


Figure 42.70 Reset Input Timing at Power-On

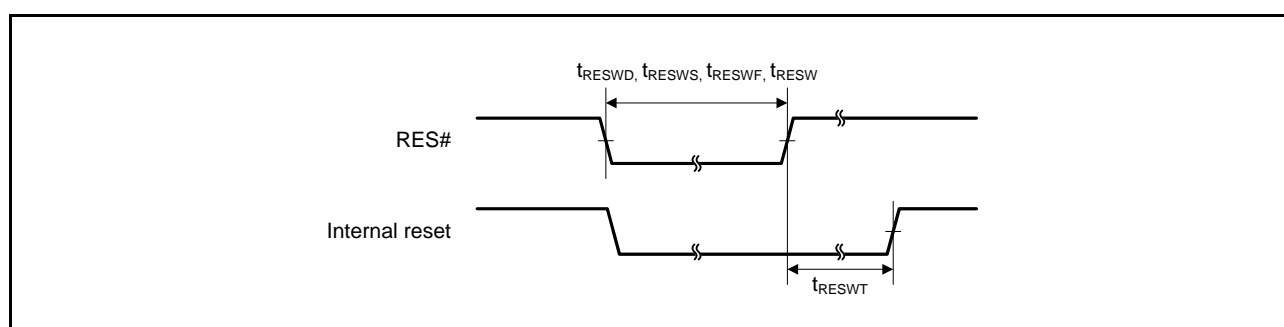


Figure 42.71 Reset Input Timing

42.3.3 Timing of Recovery from Low Power Consumption Modes

[Chip versions A and C]

Table 42.46 Timing of Recovery from Low Power Consumption Modes

Conditions: VCC = AVCC0 = 1.62 to 5.5 V, VSS = AVSS0 = VREFL = VREFL0 = 0 V, T_a = -40 to +105°C

Item			Symbol	Min.	Typ.	Max.	Unit	Test Conditions
Recovery time after cancellation of software standby mode (flash memory, HOCO power supplied) (SOFTCUT[2:0] bits = 000b)* ¹	Crystal resonator connected to main clock oscillator* ²	Main clock oscillator operating	t _{SBYMC}	—	3	—	ms	Figure 42.72
		Main clock oscillator and PLL circuit operating	t _{SBYPC}	—	3.5	—	ms	
	External clock input to main clock oscillator	Main clock oscillator operating	t _{SBYEX}	10	—	—	μs	
		Main clock oscillator and PLL circuit operating	t _{SBYPE}	0.5	—	—	ms	
	Sub-clock oscillator operating		t _{SBYSC}	2* ³	—	—	s	
	HOCO clock oscillator operating		t _{SBYHO}	—	—	500	μs	
	LOCO clock oscillator operating		t _{SBYLO}	—	—	90	μs	
Recovery time after cancellation of software standby mode (flash memory power supplied, HOCO power not supplied) (SOFTCUT[2:0] bits = 110b)* ¹	Crystal resonator connected to main clock oscillator* ²	Main clock oscillator operating	t _{SBYMC}	—	3	—	ms	Figure 42.72
		Main clock oscillator and PLL circuit operating	t _{SBYPC}	—	3.5	—	ms	
	External clock input to main clock oscillator	Main clock oscillator operating	t _{SBYEX}	40	—	—	μs	
		Main clock oscillator and PLL circuit operating	t _{SBYPE}	0.5	—	—	ms	
	Sub-clock oscillator operating		t _{SBYSC}	2* ³	—	—	s	
	HOCO clock oscillator operating		t _{SBYHO}	—	—	1.2	ms	
	LOCO clock oscillator operating		t _{SBYLO}	—	—	90	μs	
Recovery time after cancellation of software standby mode (flash memory, HOCO power not supplied) (SOFTCUT[2:0] bits = 111b)* ¹	Crystal resonator connected to main clock oscillator* ²	Main clock oscillator operating	t _{SBYMC}	—	3	—	ms	Figure 42.72
		Main clock oscillator and PLL circuit operating	t _{SBYPC}	—	3.5	—	ms	
	External clock input to main clock oscillator	Main clock oscillator operating	t _{SBYEX}	100	—	—	μs	
		Main clock oscillator and PLL circuit operating	t _{SBYPE}	0.5	—	—	ms	
	Sub-clock oscillator operating		t _{SBYSC}	2* ⁴	—	—	s	
	HOCO clock oscillator operating		t _{SBYHO}	—	—	1.2	ms	
	LOCO clock oscillator operating		t _{SBYLO}	—	—	10	ms	
Recovery time after cancellation of deep software standby mode			t _{DSBY}	—	—	8	ms	Figure 42.73
Wait time after cancellation of deep software standby mode			t _{DSBYWT}	—	—	0.8	ms	

Note 1. The recovery time varies depending on the state of each oscillator when the WAIT instruction is executed. The recovery time when multiple oscillators are operating varies depending on the operating state of the oscillators that are not selected as the system clock source, and depends on the time set in the wait control registers corresponding to the oscillators.

Note 2. The indicated value is measured for an 8 MHz crystal resonator.

Note 3. When RCR3.RTCEN = 1, the time will be the time set in the SOSWTCR register minus 2 s.

Note 4. When RCR3.RTCEN = 1, the time will be the time set in the SOSWTCR register minus 2 s and plus 31.25 ms.

[Chip version B]

Table 42.47 Timing of Recovery from Low Power Consumption ModesConditions: $V_{CC} = AV_{CC0} = 1.62$ to 5.5 V, $V_{SS} = AV_{SS0} = V_{REFL} = V_{REFL0} = 0$ V, $T_a = -40$ to $+105^\circ\text{C}$

Item			Symbol	Min.	Typ.	Max.	Unit	Test Conditions
Recovery time after cancellation of software standby mode (HOCO power supplied) (SOFTCUT[2:0] bits = 000b)* ¹	Crystal resonator connected to main clock oscillator* ²	Main clock oscillator operating	t_{SBYMC}	—	3	—	ms	Figure 42.72
		Main clock oscillator and PLL circuit operating	t_{SBYPC}	—	3.5	—	ms	
	External clock input to main clock oscillator	Main clock oscillator operating	t_{SBYEX}	10	—	—	μs	
		Main clock oscillator and PLL circuit operating	t_{SBYPE}	0.5	—	—	ms	
	Sub-clock oscillator operating		t_{SBYSC}	2^{*3}	—	—	s	
	HOCO clock oscillator operating		t_{SBYHO}	—	—	500	μs	
	LOCO clock oscillator operating		t_{SBYLO}	—	—	90	μs	
Recovery time after cancellation of software standby mode (HOCO power not supplied) (SOFTCUT[2:0] bits = 110b)* ¹	Crystal resonator connected to main clock oscillator* ²	Main clock oscillator operating	t_{SBYMC}	—	3	—	ms	Figure 42.72
		Main clock oscillator and PLL circuit operating	t_{SBYPC}	—	3.5	—	ms	
	External clock input to main clock oscillator	Main clock oscillator operating	t_{SBYEX}	40	—	—	μs	
		Main clock oscillator and PLL circuit operating	t_{SBYPE}	0.5	—	—	ms	
	Sub-clock oscillator operating		t_{SBYSC}	2^{*3}	—	—	s	
	HOCO clock oscillator operating		t_{SBYHO}	—	—	1.2	ms	
	LOCO clock oscillator operating		t_{SBYLO}	—	—	90	μs	
Recovery time after cancellation of deep software standby mode			t_{DSBY}	—	—	8	ms	Figure 42.73
Wait time after cancellation of deep software standby mode			t_{DSBYWT}	—	—	0.8	ms	

Note 1. The recovery time varies depending on the state of each oscillator when the WAIT instruction is executed. The recovery time when multiple oscillators are operating varies depending on the operating state of the oscillators that are not selected as the system clock source, and depends on the time set in the wait control registers corresponding to the oscillators.

Note 2. The indicated value is measured for an 8 MHz crystal resonator.

Note 3. When $R_{CR3.RTCEN} = 1$, the time will be the time set in the $S_{OSCWTCR}$ register minus 2 s.

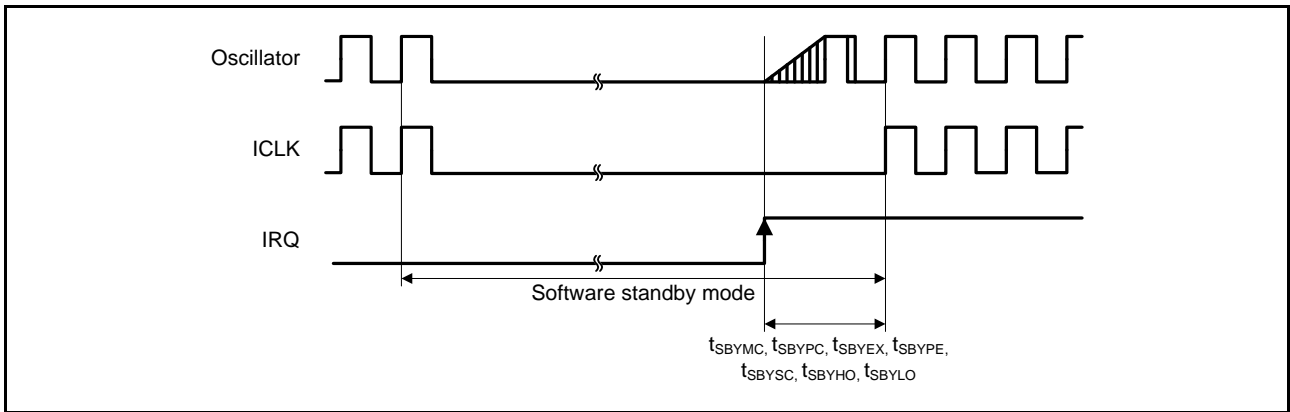


Figure 42.72 Software Standby Mode Cancellation Timing

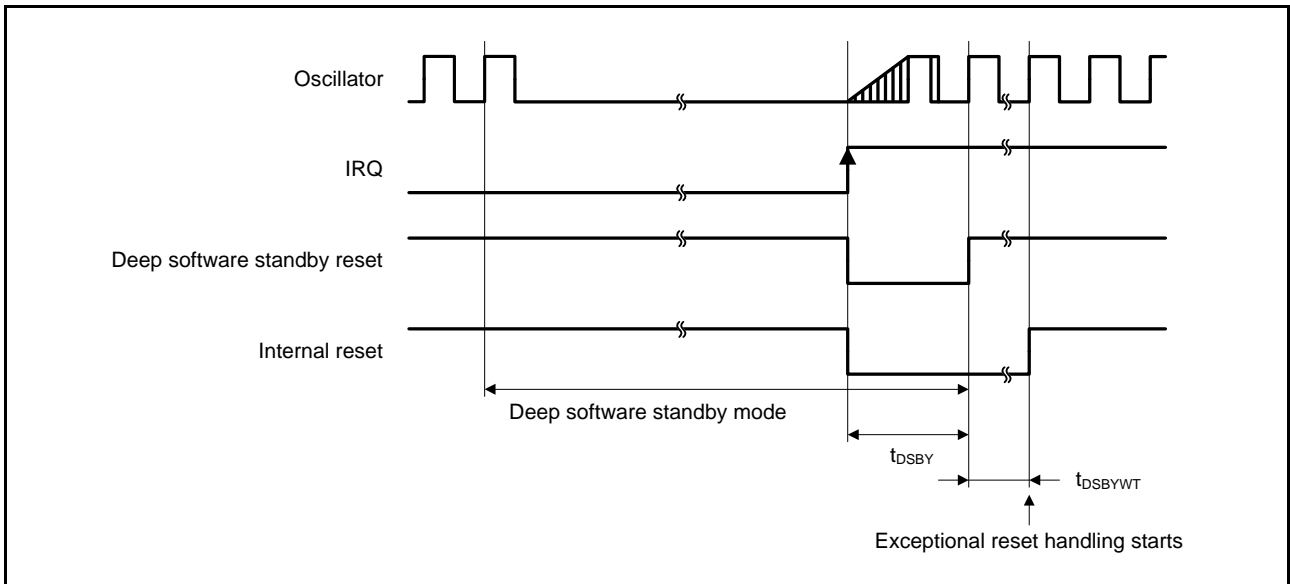


Figure 42.73 Deep Software Standby Mode Cancellation Timing

42.3.4 Control Signal Timing

Table 42.48 Control Signal Timing

Conditions: $V_{CC} = AV_{CC0} = 1.62$ to 5.5 V, $V_{SS} = AV_{SS0} = V_{REFL} = V_{REFL0} = 0$ V, $T_a = -40$ to $+105^\circ\text{C}$

Item	Symbol	Min.	Typ.	Max.	Unit	Test Conditions
NMI pulse width	t_{NMIW}	200	—	—	ns	$t_{c(PCLKB)} \times 2 \leq 200$ ns, Figure 42.74
		$t_{c(PCLKB)} \times 2$	—	—	ns	$t_{c(PCLKB)} \times 2 > 200$ ns, Figure 42.74
IRQ pulse width	t_{IRQW}	200	—	—	ns	$t_{c(PCLKB)} \times 2 \leq 200$ ns, Figure 42.75
		$t_{c(PCLKB)} \times 2$	—	—	ns	$t_{c(PCLKB)} \times 2 > 200$ ns, Figure 42.75

Note: • 200 ns minimum in deep software standby and software standby modes.

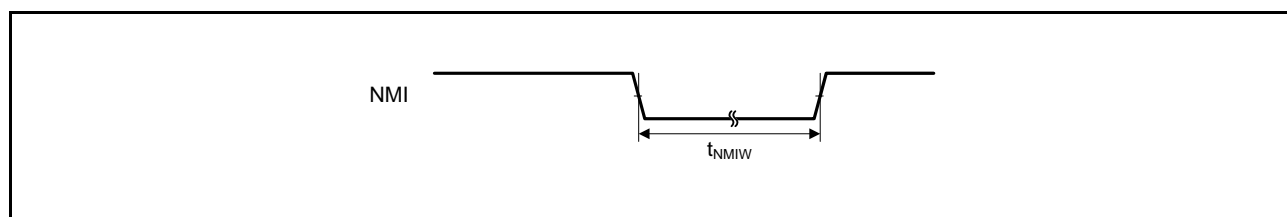


Figure 42.74 NMI Interrupt Input Timing

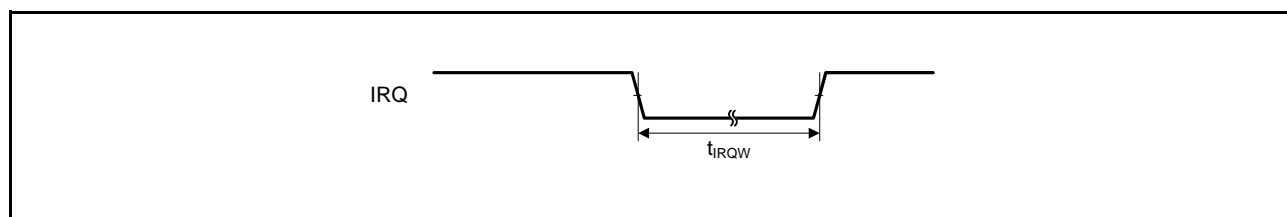


Figure 42.75 IRQ Interrupt Input Timing

42.3.5 Bus Timing

Table 42.49 Bus Timing (1)

Conditions: $V_{CC} = AVCC0 = 2.7$ to 5.5 V, $V_{SS} = AVSS0 = V_{REFL} = V_{REFL0} = 0$ V,
 $f_{BCLK} \leq 25$ MHz (BCLK pin output frequency ≤ 12.5 MHz), $T_a = -40$ to $+105^\circ\text{C}$, $V_{OH} = V_{CC} \times 0.5$,
 $V_{OL} = V_{CC} \times 0.5$, $I_{OH} = -1.0$ mA, $I_{OL} = 1.0$ mA, $C_L = 30$ pF
 When normal output is selected by the drive capacity register

Item	Symbol	Min.	Max.	Unit	Test Conditions
Address delay time	t_{AD}	—	60	ns	Figure 42.76 to Figure 42.79
Byte control delay time	t_{BCD}	—	60	ns	
CS# delay time	t_{CSD}	—	60	ns	
RD# delay time	t_{RSD}	—	60	ns	
Read data setup time	t_{RDS}	40	—	ns	
Read data hold time	t_{RDH}	0	—	ns	
WR# delay time	t_{WRD}	—	60	ns	
Write data delay time	t_{WDD}	—	60	ns	
Write data hold time	t_{WDH}	0	—	ns	Figure 42.80
WAIT# setup time	t_{WTS}	40	—	ns	
WAIT# hold time	t_{WTH}	0	—	ns	

Table 42.50 Bus Timing (2)

Conditions: $V_{CC} = AVCC0 = 1.8$ to 2.7 V, $V_{SS} = AVSS0 = V_{REFL} = V_{REFL0} = 0$ V,
 $f_{BCLK} \leq 16$ MHz (BCLK pin output frequency ≤ 8 MHz), $T_a = -40$ to $+105^\circ\text{C}$, $V_{OH} = V_{CC} \times 0.5$,
 $V_{OL} = V_{CC} \times 0.5$, $I_{OH} = -1.0$ mA, $I_{OL} = 1.0$ mA, $C_L = 30$ pF
 When normal output is selected by the drive capacity register

Item	Symbol	Min.	Max.	Unit	Test Conditions
Address delay time	t_{AD}	—	90	ns	Figure 42.76 to Figure 42.79
Byte control delay time	t_{BCD}	—	90	ns	
CS# delay time	t_{CSD}	—	90	ns	
RD# delay time	t_{RSD}	—	90	ns	
Read data setup time	t_{RDS}	60	—	ns	
Read data hold time	t_{RDH}	0	—	ns	
WR# delay time	t_{WRD}	—	90	ns	
Write data delay time	t_{WDD}	—	90	ns	
Write data hold time	t_{WDH}	0	—	ns	Figure 42.80
WAIT# setup time	t_{WTS}	60	—	ns	
WAIT# hold time	t_{WTH}	0	—	ns	

Table 42.51 Bus Timing (3)

Conditions: $V_{CC} = AVCC0 = 1.62$ to 1.8 V, $V_{SS} = AVSS0 = V_{REFL} = V_{REFL0} = 0$ V,
 $f_{BCLK} \leq 12$ MHz (BCLK pin output frequency ≤ 6 MHz), $T_a = -40$ to $+105^\circ\text{C}$, $V_{OH} = V_{CC} \times 0.5$,
 $V_{OL} = V_{CC} \times 0.5$, $I_{OH} = -0.5$ mA, $I_{OL} = 0.5$ mA, $C_L = 30$ pF
 When normal output is selected by the drive capacity register

Item	Symbol	Min.	Max.	Unit	Test Conditions
Address delay time	t_{AD}	—	125	ns	Figure 42.76 to Figure 42.79
Byte control delay time	t_{BCD}	—	125	ns	
CS# delay time	t_{CSD}	—	125	ns	
RD# delay time	t_{RSD}	—	125	ns	
Read data setup time	t_{RDS}	85	—	ns	
Read data hold time	t_{RDH}	0	—	ns	
WR# delay time	t_{WRD}	—	125	ns	
Write data delay time	t_{WDD}	—	125	ns	
Write data hold time	t_{WDH}	0	—	ns	
WAIT# setup time	t_{WTS}	85	—	ns	
WAIT# hold time	t_{WTH}	0	—	ns	

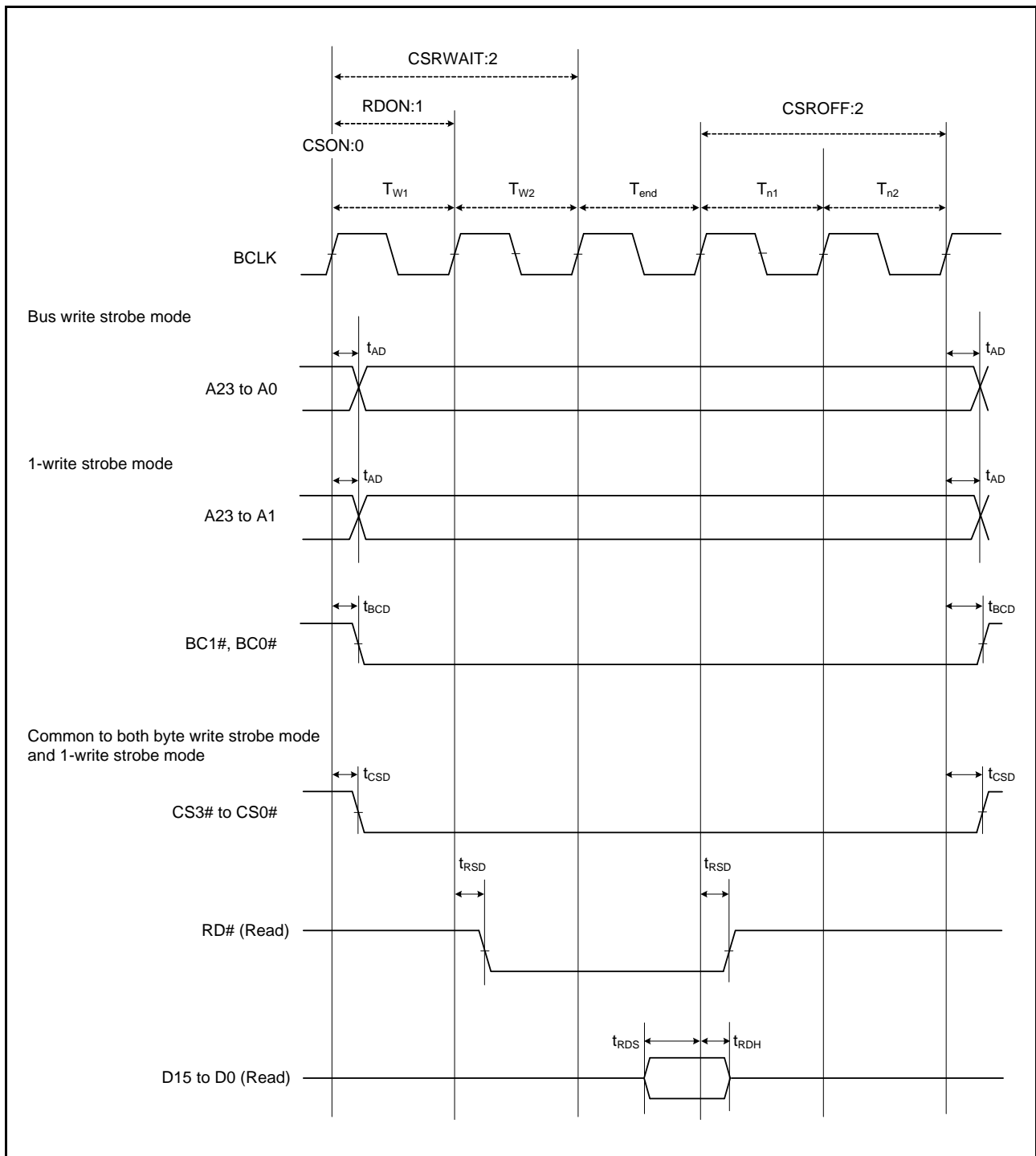


Figure 42.76 External Bus Timing/Normal Read Cycle (Bus Clock Synchronized)

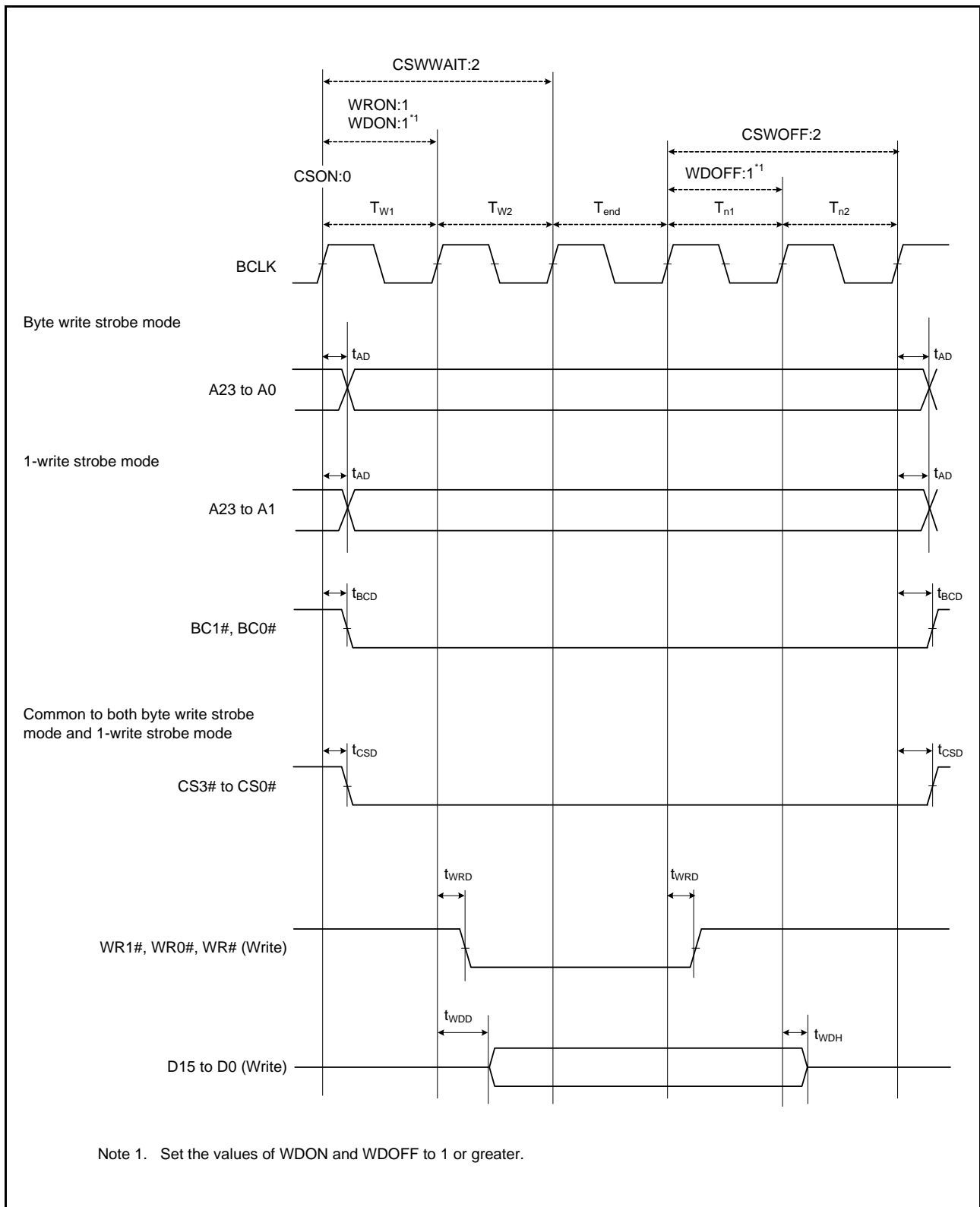


Figure 42.77 External Bus Timing/Normal Write Cycle (Bus Clock Synchronized)

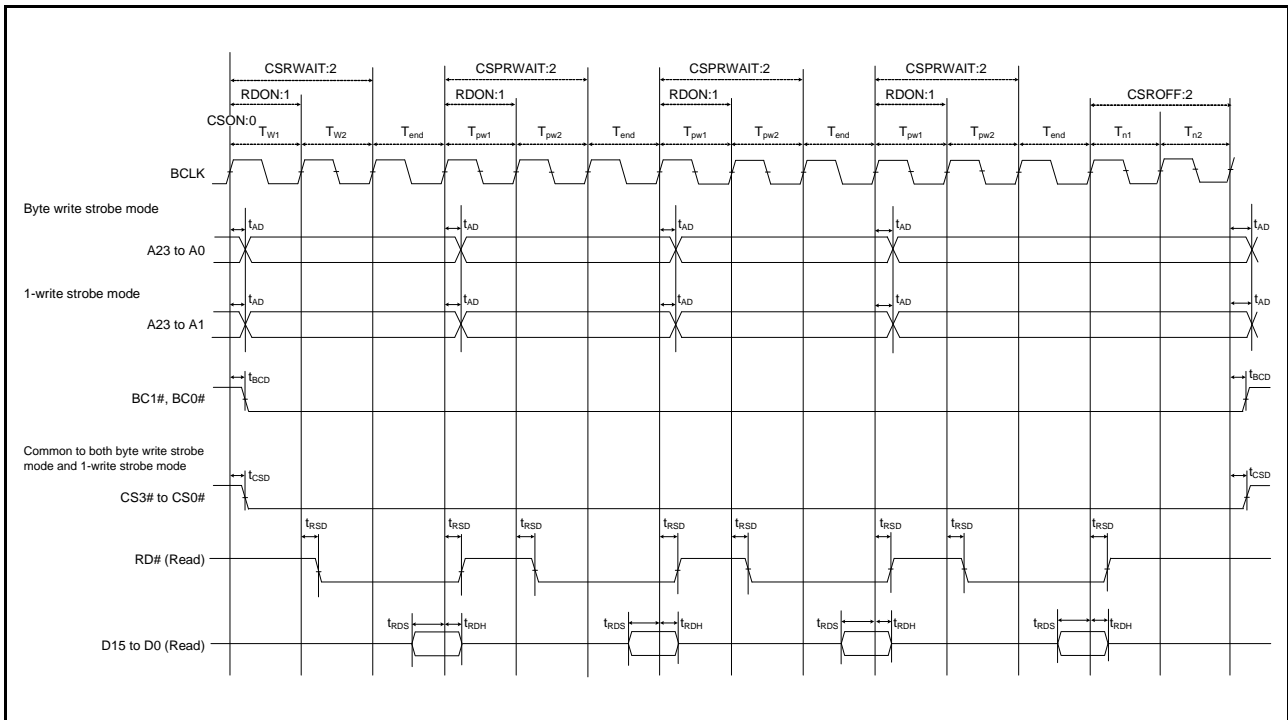


Figure 42.78 External Bus Timing/Page Read Cycle (Bus Clock Synchronized)

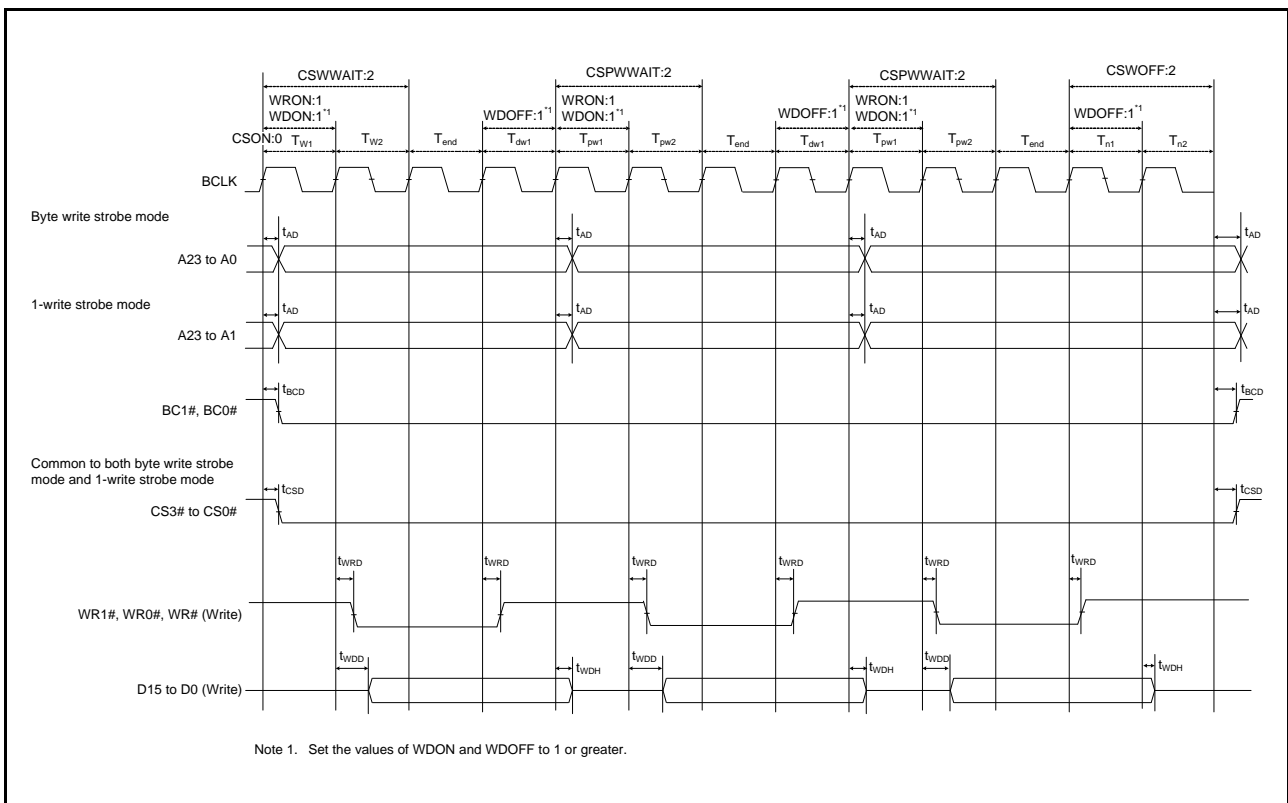


Figure 42.79 External Bus Timing/Page Write Cycle (Bus Clock Synchronized)

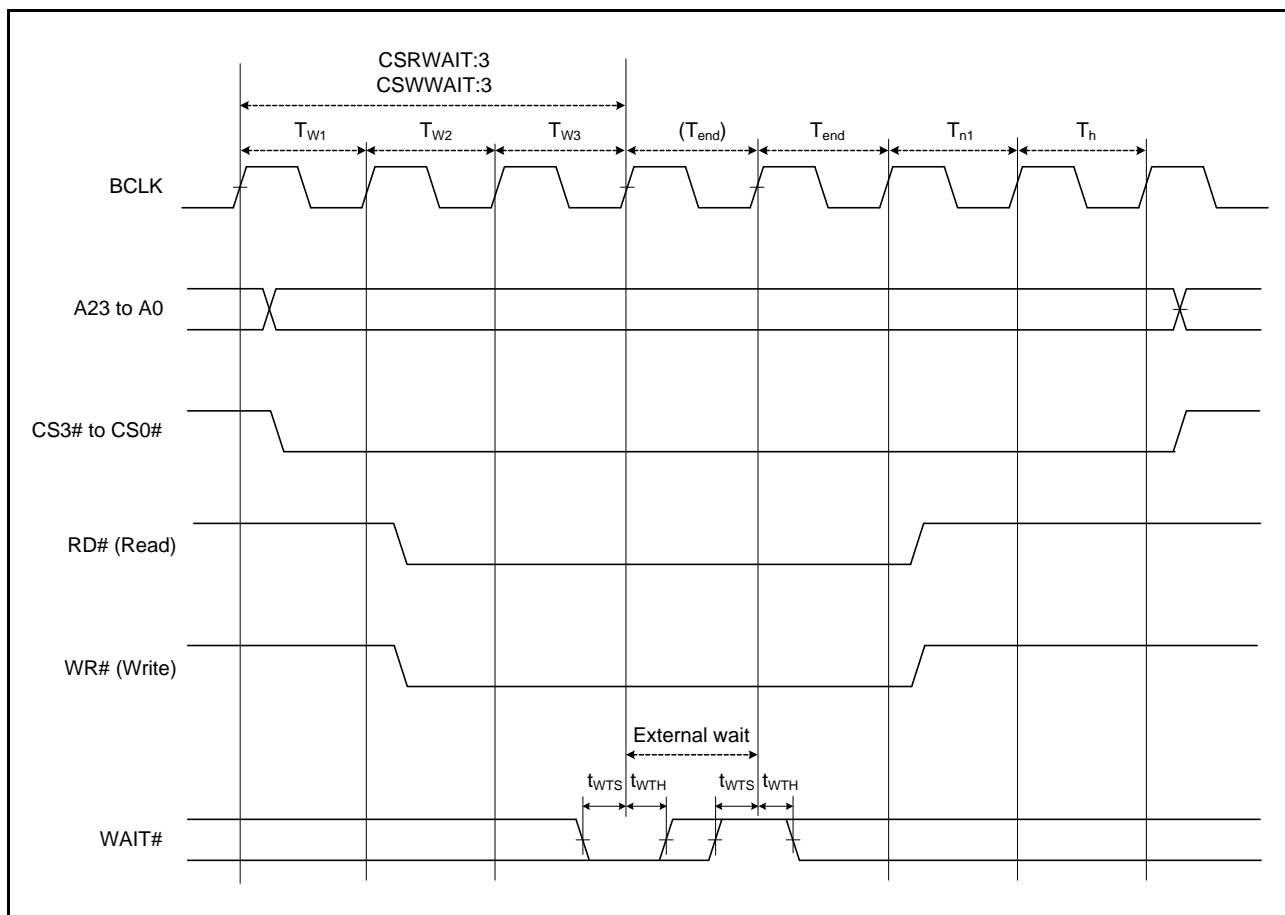


Figure 42.80 External Bus Timing/External Wait Control

Table 42.52 Bus Timing (Multiplexed Bus) (1)

Conditions: $V_{CC} = AVCC0 = 2.7$ to 5.5 V, $V_{SS} = AVSS0 = VREFL = VREFL0 = 0$ V,
 $f_{BCLK} \leq 25$ MHz (BCLK pin output frequency ≤ 12.5 MHz), $T_a = -40$ to $+105^\circ\text{C}$, $V_{OH} = V_{CC} \times 0.5$,
 $V_{OL} = V_{CC} \times 0.5$, $I_{OH} = -1.0$ mA, $I_{OL} = 1.0$ mA, $C_L = 30$ pF
 When normal output is selected by the drive capacity register

Item	Symbol	Min.	Typ.	Max.	Unit
Address delay time	t_{AD}	—	60	ns	Figure 42.81 and Figure 42.82
Byte control delay time	t_{BCD}	—	60	ns	
CS# delay time	t_{CSD}	—	60	ns	
RD# delay time	t_{RSD}	—	60	ns	
ALE delay time	t_{ALEd}	—	60	ns	
Read data setup time	t_{RDS}	40	—	ns	
Read data hold time	t_{RDH}	0	—	ns	
WR# delay time	t_{WRD}	—	60	ns	
Write data delay time	t_{WDD}	—	60	ns	
Write data hold time	t_{WDH}	0	—	ns	
WAIT# setup time	t_{WTS}	40	—	ns	Figure 42.80
WAIT# hold time	t_{WTH}	0	—	ns	

Table 42.53 Bus Timing (Multiplexed Bus) (2)

Conditions: $V_{CC} = AVCC0 = 1.8$ to 2.7 V, $V_{SS} = AVSS0 = VREFL = VREFL0 = 0$ V,
 $f_{BCLK} \leq 16$ MHz (BCLK pin output frequency ≤ 8 MHz), $T_a = -40$ to $+105^\circ\text{C}$, $V_{OH} = V_{CC} \times 0.5$,
 $V_{OL} = V_{CC} \times 0.5$, $I_{OH} = -1.0$ mA, $I_{OL} = 1.0$ mA, $C_L = 30$ pF
 When normal output is selected by the drive capacity register

Item	Symbol	Min.	Typ.	Max.	Unit
Address delay time	t_{AD}	—	90	ns	Figure 42.81 and Figure 42.82
Byte control delay time	t_{BCD}	—	90	ns	
CS# delay time	t_{CSD}	—	90	ns	
RD# delay time	t_{RSD}	—	90	ns	
ALE delay time	t_{ALEd}	—	90	ns	
Read data setup time	t_{RDS}	60	—	ns	
Read data hold time	t_{RDH}	0	—	ns	
WR# delay time	t_{WRD}	—	90	ns	
Write data delay time	t_{WDD}	—	90	ns	
Write data hold time	t_{WDH}	0	—	ns	
WAIT# setup time	t_{WTS}	60	—	ns	Figure 42.80
WAIT# hold time	t_{WTH}	0	—	ns	

Table 42.54 Bus Timing (Multiplexed Bus) (3)

Conditions: $V_{CC} = AVCC0 = 1.62$ to 1.8 V, $V_{SS} = AVSS0 = VREFL = VREFL0 = 0$ V,
 $f_{BCLK} \leq 12$ MHz (BCLK pin output frequency ≤ 6 MHz), $T_a = -40$ to $+105^\circ\text{C}$, $V_{OH} = V_{CC} \times 0.5$,
 $V_{OL} = V_{CC} \times 0.5$, $I_{OH} = -0.5$ mA, $I_{OL} = 0.5$ mA, $C_L = 30$ pF
 When normal output is selected by the drive capacity register

Item	Symbol	Min.	Typ.	Max.	Unit
Address delay time	t_{AD}	—	125	ns	Figure 42.81 and Figure 42.82
Byte control delay time	t_{BCD}	—	125	ns	
CS# delay time	t_{CSD}	—	125	ns	
RD# delay time	t_{RSD}	—	125	ns	
ALE delay time	t_{ALEd}	—	125	ns	
Read data setup time	t_{RDS}	85	—	ns	
Read data hold time	t_{RDH}	0	—	ns	
WR# delay time	t_{WRD}	—	125	ns	
Write data delay time	t_{WDD}	—	125	ns	
Write data hold time	t_{WDH}	0	—	ns	
WAIT# setup time	t_{WTS}	85	—	ns	
WAIT# hold time	t_{WTH}	0	—	ns	

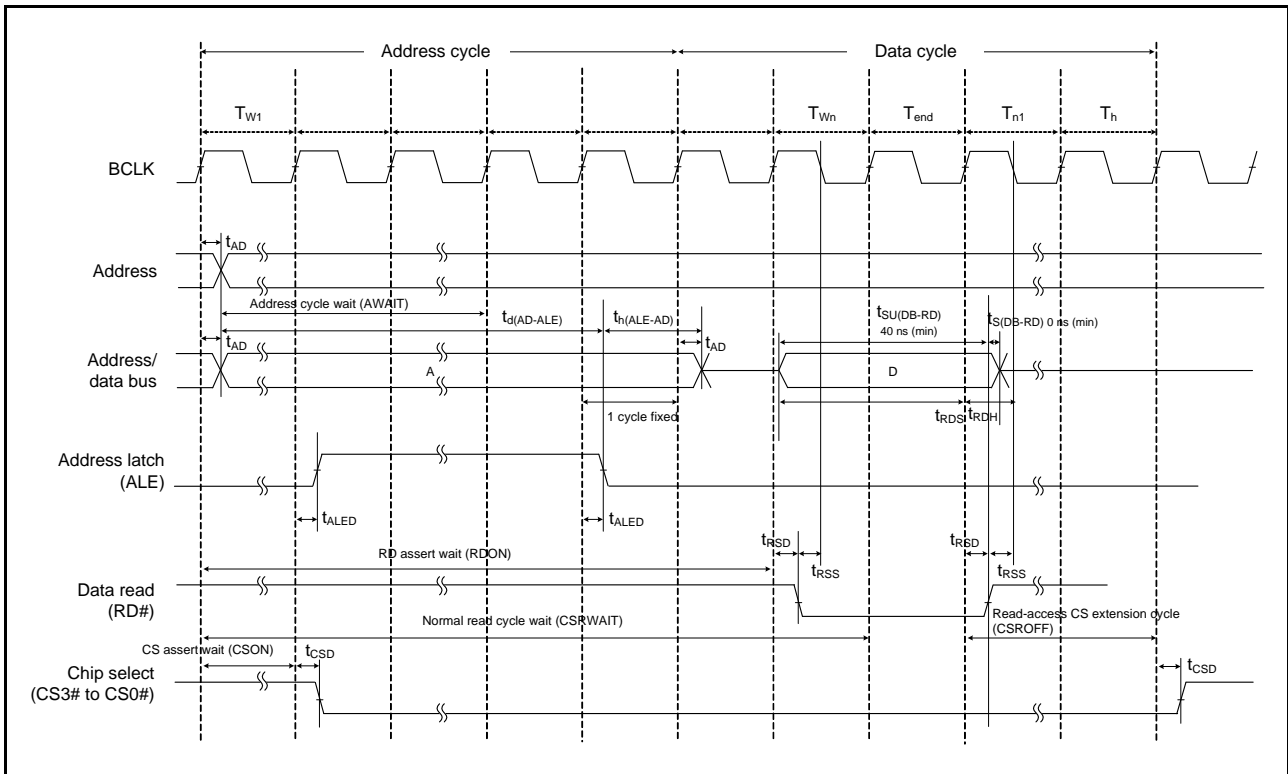


Figure 42.81 Example of Operation in Read Access over the External Bus (Multiplexed)

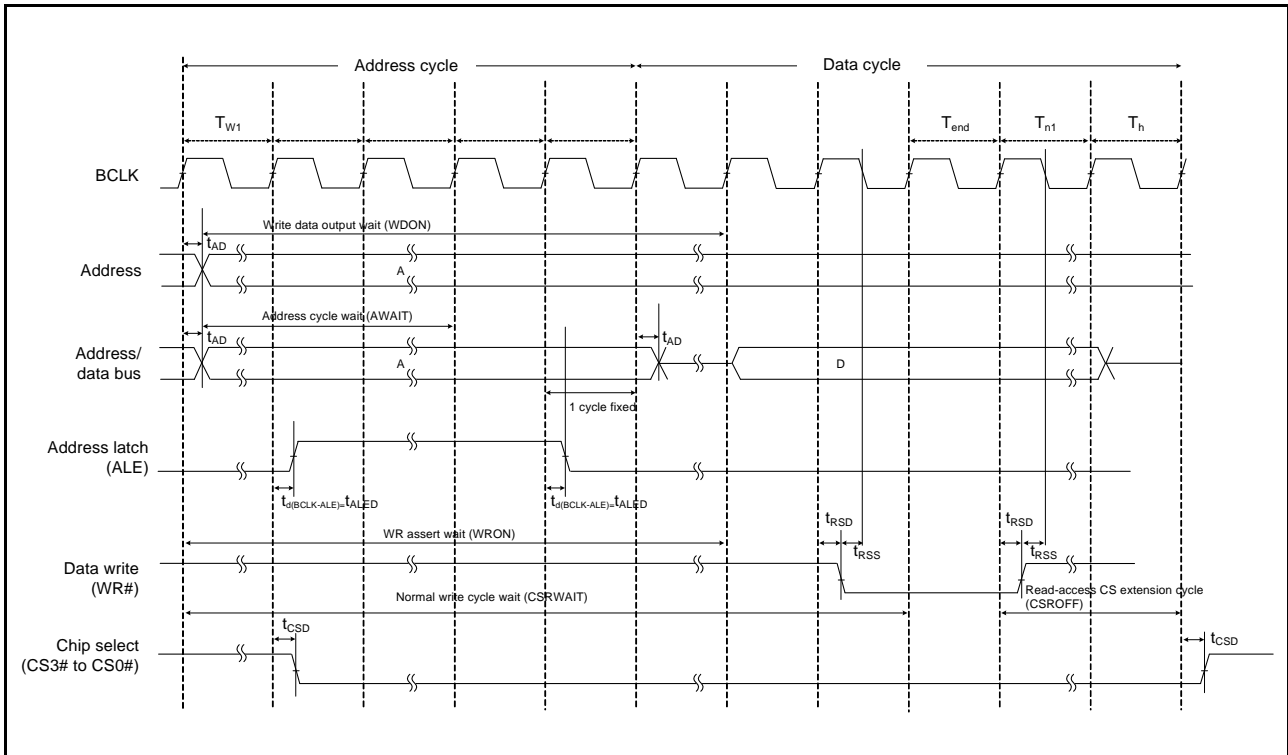


Figure 42.82 Example of Operation in Write Access over the External Bus (Multiplexed)

42.3.6 Timing of On-Chip Peripheral Modules

Table 42.55 Timing of On-Chip Peripheral Modules (1)

Conditions: $V_{CC} = AV_{CC0} = 1.62$ to 5.5 V, $V_{SS} = AV_{SS0} = V_{REFL} = V_{REFL0} = 0$ V, $T_a = -40$ to $+105^\circ\text{C}$
 When high-drive output is selected by the drive capacity register

Item		Symbol	Min.	Max.	Unit	Test Conditions	
I/O ports	Input data pulse width	t_{PRW}	1.5	—	t_{Pcyc}	Figure 42.83	
MTU/ TPU	Input capture input pulse width	Single-edge setting	1.5	—	t_{Pcyc}	Figure 42.84	
		Both-edge setting	2.5	—			
	Timer clock pulse width	Single-edge setting	t_{TCKWH} , t_{TCKWL}	1.5	—	t_{Pcyc}	Figure 42.85
Both-edge setting		2.5		—			
Phase counting mode		2.5		—			
POE	POE# input pulse width	t_{POEW}	1.5	—	t_{Pcyc}	Figure 42.86	
8-bit timer	Timer clock pulse width	Single-edge setting	1.5	—	t_{Pcyc}	Figure 42.87	
		Both-edge setting	2.5	—			
SCI	Input clock cycle	Asynchronous	4	—	t_{Pcyc}	Figure 42.88	
		Clock synchronous	6	—			
	Input clock pulse width	t_{SCKW}	0.4	0.6	t_{Sckc}		
	Input clock rise time	t_{SCKr}	—	20	ns		
	Input clock fall time	t_{SCKf}	—	20	ns		
	Output clock cycle	Asynchronous	t_{Sckc}	16	—	t_{Pcyc}	C = 30 pF Figure 42.89
		Clock synchronous		4	—		
		Output clock pulse width		2.7 V \leq VCC \leq 5.5 V	0.4		
	1.8 V \leq VCC < 2.7 V	0.35	0.65				
	1.62 V \leq VCC < 1.8 V	0.35	0.65				
	Output clock rise time	t_{SCKr}	—	20	ns		
	Output clock fall time	t_{SCKf}	—	20	ns		
	Transmit data delay time (master)	Clock synchronous	t_{TXD}	—	40	ns	
Transmit data delay time (slave)	Clock synchronous	2.7 V \leq VCC \leq 5.5 V	—	65	ns		
		1.8 V \leq VCC < 2.7 V	—	85	ns		
		1.62 V \leq VCC < 1.8 V	—	95	ns		
Receive data setup time (master)	Clock synchronous	2.7 V \leq VCC \leq 5.5 V	65	—	ns		
		1.8 V \leq VCC < 2.7 V	75	—	ns		
		1.62 V \leq VCC < 1.8 V	80	—	ns		
Receive data setup time (slave)	Clock synchronous		40	—	ns		
Receive data hold time	Clock synchronous	t_{RXH}	40	—	ns		
A/D converter	Trigger input pulse width	t_{TRGW}	1.5	—	t_{Pcyc}	Figure 42.90	
CAC	CACREF input pulse width	$t_{Pcyc} \leq t_{cac} * 2$	t_{CACREF}	4.5 $t_{cac} + 3 t_{Pcyc}$	—	ns	
		$t_{Pcyc} > t_{cac} * 2$		5 $t_{cac} + 6.5 t_{Pcyc}$			

Note 1. t_{Pcyc} : PCLK cycle

Note 2. t_{cac} : CAC count clock source cycle

[512 Kbytes or less of flash memory and 48 to 100 pins]

Table 42.56 Timing of On-Chip Peripheral Modules (2)

Conditions: VCC = AVCC0 = 1.62 to 5.5 V, VSS = AVSS0 = VREFL = VREFL0 = 0 V, Ta = -40 to +105°C

When high-drive output is selected by the drive capacity register

Item			Symbol	Min.	Max.	Unit*1	Test Conditions	
RSPI	RSPCK clock cycle	Master		t _{SPCyc}	2	4096	t _{PCyc}	C = 30 pF Figure 42.91
					125	—	ns	
		Slave			8	4096	t _{PCyc}	
	RSPCK clock high pulse width	Master	2.7 V ≤ VCC ≤ 5.5 V	t _{SPCKWH}	$(t_{SPCyc} - t_{SPCKr} - t_{SPCKf})/2 - 3$	—	ns	
			1.8 V ≤ VCC < 2.7 V		$(t_{SPCyc} - t_{SPCKr} - t_{SPCKf})/2 - 3$	—		
			1.62 V ≤ VCC < 1.8 V		$(t_{SPCyc} - t_{SPCKr} - t_{SPCKf})/2 - 10$	—		
	Slave			$(t_{SPCyc} - t_{SPCKr} - t_{SPCKf})/2$	—			
	RSPCK clock low pulse width	Master	2.7 V ≤ VCC ≤ 5.5 V	t _{SPCKWL}	$(t_{SPCyc} - t_{SPCKr} - t_{SPCKf})/2 - 3$	—	ns	
			1.8 V ≤ VCC < 2.7 V		$(t_{SPCyc} - t_{SPCKr} - t_{SPCKf})/2 - 3$	—		
			1.62 V ≤ VCC < 1.8 V		$(t_{SPCyc} - t_{SPCKr} - t_{SPCKf})/2 - 10$	—		
		Slave			$(t_{SPCyc} - t_{SPCKr} - t_{SPCKf})/2$	—		
	RSPCK clock rise/fall time	Output	2.7 V ≤ VCC ≤ 5.5 V	t _{SPCKr} , t _{SPCKf}	—	10	ns	
			1.8 V ≤ VCC < 2.7 V		—	15		
			1.62 V ≤ VCC < 1.8 V		—	20		
		Input			—	1	μs	
Data input setup time	Master	2.7 V ≤ VCC ≤ 5.5 V	t _{SU}	50	—	ns	C = 30 pF Figure 42.92 to Figure 42.97	
		1.8 V ≤ VCC < 2.7 V		65	—			
		1.62 V ≤ VCC < 1.8 V		75	—			
	Slave			25 - t _{PCyc}	—			
Data input hold time	Master		t _H	t _{PCyc}	—	ns		
	Slave			20 + 2 × t _{PCyc}	—			
SSL setup time	Master		t _{LEAD}	1	8	t _{SPCyc}		
	Slave			4	—	t _{PCyc}		
SSL hold time	Master		t _{LAG}	1	8	t _{SPCyc}		
	Slave			4	—	t _{PCyc}		
Data output delay time	Master	2.7 V ≤ VCC ≤ 5.5 V	t _{OD}	—	50	ns		
		1.8 V ≤ VCC < 2.7 V		—	55			
		1.62 V ≤ VCC < 1.8 V		—	60			
	Slave	2.7 V ≤ VCC ≤ 5.5 V	—	3 × t _{PCyc} + 65				
		1.8 V ≤ VCC < 2.7 V	—	3 × t _{PCyc} + 85				
		1.62 V ≤ VCC < 1.8 V	—	3 × t _{PCyc} + 95				
Data output hold time	Master		t _{OH}	0	—	ns		
	Slave			0	—			
Successive transmission delay time	Master		t _{TD}	t _{SPCyc} + 2 × t _{PCyc}	8 × t _{SPCyc} + 2 × t _{PCyc}	ns		
	Slave			4 × t _{PCyc}	—			

Item			Symbol	Min.	Max.	Unit*1	Test Conditions	
RSPI	MOSI and MISO rise/fall time	Output	t_{Dr}, t_{Df}	—	20	ns	C = 30 pF Figure 42.92 to Figure 42.97	
		Input		—	1	μs		
	SSL rise/fall time	Output	t_{SSLr}, t_{SSLf}	—	20	ns		
		Input		—	1	μs		
	Slave access time	2.7 V ≤ VCC ≤ 5.5 V		t_{SA}	—	6	t_{Pcyc}	C = 30 pF Figure 42.96 and Figure 42.97
		1.8 V ≤ VCC < 2.7 V			—	7		
		1.62 V ≤ VCC < 1.8 V			—	7		
	Slave output release time	2.7 V ≤ VCC ≤ 5.5 V		t_{REL}	—	5	t_{Pcyc}	
1.8 V ≤ VCC < 2.7 V		—	6					
1.62 V ≤ VCC < 1.8 V		—	6					

Note 1. t_{Pcyc} : PCLK cycle

[768 Kbytes/1 Mbyte of flash memory or 144/145 pins]

Table 42.57 Timing of On-Chip Peripheral Modules (3)

Conditions: VCC = AVCC0 = 1.62 to 5.5 V, VSS = AVSS0 = VREFL = VREFL0 = 0 V, T_a = -40 to +105°C

When high-drive output is selected by the drive capacity register

Item			Symbol	Min.	Max.	Unit*1	Test Conditions	
RSPI	RSPCK clock cycle	Master	t_{SPcyc}	2	4096	t_{Pcyc}	C = 30 pF Figure 42.91	
		Slave		8	4096			
	RSPCK clock high pulse width	Master	2.7 V ≤ VCC ≤ 5.5 V	t_{SPCKWH}	$(t_{SPcyc} - t_{SPCKr} - t_{SPCKf})/2 - 3$	—		ns
			1.8 V ≤ VCC < 2.7 V		$(t_{SPcyc} - t_{SPCKr} - t_{SPCKf})/2 - 3$	—		
			1.62 V ≤ VCC < 1.8 V		$(t_{SPcyc} - t_{SPCKr} - t_{SPCKf})/2 - 10$	—		
		Slave	$(t_{SPcyc} - t_{SPCKr} - t_{SPCKf})/2$		—			
	RSPCK clock low pulse width	Master	2.7 V ≤ VCC ≤ 5.5 V	t_{SPCKWL}	$(t_{SPcyc} - t_{SPCKr} - t_{SPCKf})/2 - 3$	—		ns
			1.8 V ≤ VCC < 2.7 V		$(t_{SPcyc} - t_{SPCKr} - t_{SPCKf})/2 - 3$	—		
			1.62 V ≤ VCC < 1.8 V		$(t_{SPcyc} - t_{SPCKr} - t_{SPCKf})/2 - 10$	—		
		Slave	$(t_{SPcyc} - t_{SPCKr} - t_{SPCKf})/2$		—			
	RSPCK clock rise/fall time	Output	2.7 V ≤ VCC ≤ 5.5 V	t_{SPCKr}, t_{SPCKf}	—	10		ns
			1.8 V ≤ VCC < 2.7 V		—	15		
			1.62 V ≤ VCC < 1.8 V		—	20		
		Input	—		1	μs		

Item			Symbol	Min.	Max.	Unit*1	Test Conditions	
RSPI	Data input setup time	Master	2.7 V ≤ VCC ≤ 5.5 V	t _{SU}	10	—	ns	C = 30pF Figure 42.92 to Figure 42.97
			1.8 V ≤ VCC < 2.7 V		25	—		
			1.62 V ≤ VCC < 1.8 V		30	—		
		Slave	25 - t _{Pcyc}		—			
	Data input hold time	Master	PCLKB set to a division ratio other than divided by 2	t _H	t _{Pcyc}	—	ns	
			PCLKB set to divided by 2*2	t _{HF}	0	—		
		Slave	t _H	20 + 2 × t _{Pcyc}	—			
	SSL setup time	Master	t _{LEAD}	1	8	t _{SPcyc}		
		Slave		4	—	t _{Pcyc}		
	SSL hold time	Master	t _{LAG}	1	8	t _{SPcyc}		
		Slave		4	—	t _{Pcyc}		
	Data output delay time	Master	2.7 V ≤ VCC ≤ 5.5 V	t _{OD}	—	14	ns	
			1.8 V ≤ VCC < 2.7 V		—	20		
			1.62 V ≤ VCC < 1.8 V		—	25		
		Slave	2.7 V ≤ VCC ≤ 5.5 V		—	3 × t _{Pcyc} + 65		
			1.8 V ≤ VCC < 2.7 V		—	3 × t _{Pcyc} + 85		
			1.62 V ≤ VCC < 1.8 V		—	3 × t _{Pcyc} + 95		
	Data output hold time	Master	t _{OH}	0	—	ns		
		Slave		0	—			
	Successive transmission delay time	Master	t _{TD}	t _{SPcyc} + 2 × t _{Pcyc}	8 × t _{SPcyc} + 2 × t _{Pcyc}	ns		
		Slave		4 × t _{Pcyc}	—			
MOSI and MISO rise/fall time	Output	2.7 V ≤ VCC ≤ 5.5 V	t _{Dr} , t _{Df}	—	10	ns		
		1.8 V ≤ VCC < 2.7 V		—	15			
		1.62 V ≤ VCC < 1.8 V		—	20			
	Input	—		1	μs			
SSL rise/fall time	Output	2.7 V ≤ VCC ≤ 5.5 V	t _{SSLr} , t _{SSLf}	—	10	ns		
		1.8 V ≤ VCC < 2.7 V		—	15			
		1.62 V ≤ VCC < 1.8 V		—	20			
	Input	—		1	μs			
Slave access time	2.7 V ≤ VCC ≤ 5.5 V	t _{SA}	—	6	t _{Pcyc}			
			1.8 V ≤ VCC < 2.7 V	—		7		
			1.62 V ≤ VCC < 1.8 V	—		7		
Slave output release time	2.7 V ≤ VCC ≤ 5.5 V	t _{REL}	—	5	t _{Pcyc}			
			1.8 V ≤ VCC < 2.7 V	—		6		
			1.62 V ≤ VCC < 1.8 V	—		6		

Note 1. t_{Pcyc}: PCLK cycle

Note 2. Divided by 2 can be set only in packages with 768 Kbytes/1 Mbyte of flash memory or 144/145 pins.

Table 42.58 Timing of On-Chip Peripheral Modules (4)

Conditions: $V_{CC} = AV_{CC0} = 1.62$ to 5.5 V, $V_{SS} = AV_{SS0} = V_{REFL} = V_{REFL0} = 0$ V, $T_a = -40$ to $+105^\circ\text{C}$
 When high-drive output is selected by the drive capacity register

Item		Symbol	Min.	Max.	Unit*1	Test Conditions		
Simple SPI	SCK clock cycle output (master)	t_{SPcyc}	4	65536	t_{Pcyc}	C = 30 pF Figure 42.91		
	SCK clock cycle input (slave)		6	65536				
	SCK input clock high pulse width		t_{SPCKWH}	0.4	0.6		t_{SPcyc}	
	SCK input clock low pulse width		t_{SPCKWL}	0.4	0.6		t_{SPcyc}	
	SCK output clock high pulse width	$2.7 \text{ V} \leq V_{CC} \leq 5.5 \text{ V}$	t_{SPCKWH}	0.4	0.6		t_{SPcyc}	
		$1.8 \text{ V} \leq V_{CC} < 2.7 \text{ V}$		0.35	0.65			
		$1.62 \text{ V} \leq V_{CC} < 1.8 \text{ V}$		0.35	0.65			
	SCK output clock low pulse width	$2.7 \text{ V} \leq V_{CC} \leq 5.5 \text{ V}$	t_{SPCKWL}	0.4	0.6		t_{SPcyc}	
		$1.8 \text{ V} \leq V_{CC} < 2.7 \text{ V}$		0.35	0.65			
		$1.62 \text{ V} \leq V_{CC} < 1.8 \text{ V}$		0.35	0.65			
	SCK clock rise/fall time		t_{SPCKr}, t_{SPCKf}	—	20		ns	
	Data input setup time (Master)	$2.7 \text{ V} \leq V_{CC} \leq 5.5 \text{ V}$	t_{SU}	65	—		ns	C = 30 pF Figure 42.92 to Figure 42.97
		$1.8 \text{ V} \leq V_{CC} < 2.7 \text{ V}$		75	—			
		$1.62 \text{ V} \leq V_{CC} < 1.8 \text{ V}$		80	—			
Data input setup time (Slave)			40	—				
Data input hold time		t_H	40	—	ns			
SS input setup time		t_{LEAD}	6	—	t_{Pcyc}			
SS input hold time		t_{LAG}	6	—	t_{Pcyc}			
Data output delay time (Master)		t_{OD}	—	40	ns			
Data output delay time (Slave)	$2.7 \text{ V} \leq V_{CC} \leq 5.5 \text{ V}$		—	65				
	$1.8 \text{ V} \leq V_{CC} < 2.7 \text{ V}$		—	85				
Data output delay time (Slave)			—	95				
Data output hold time		t_{OH}	-10	—	ns			
Data rise/fall time		t_{Dr}, t_{Df}	—	20	ns			
SS input rise/fall time		t_{SSLr}, t_{SSLf}	—	20	ns			
Slave access time		t_{SA}	—	6	t_{Pcyc}	C = 30 pF Figure 42.96 and Figure 42.97		
Slave output release time		t_{REL}	—	6	t_{Pcyc}			

Note 1. t_{Pcyc} : PCLK cycle

Table 42.59 Timing of On-Chip Peripheral Modules (5)

Conditions: $V_{CC} = AV_{CC0} = 2.7$ to 5.5 V, $V_{SS} = AV_{SS0} = V_{REFL} = V_{REFL0} = 0$ V, $f_{PCLKB} =$ up to 32 MHz,
 $T_a = -40$ to $+105^\circ\text{C}$

Item		Symbol	Min.*1,*2	Max.	Unit	Test Conditions
RIIC (Standard mode, SMBus)	SCL input cycle time	t_{SCL}	$6 (12) \times t_{IICcyc} + 1300$	—	ns	Figure 42.98
	SCL input high pulse width	t_{SCLH}	$3 (6) \times t_{IICcyc} + 300$	—	ns	
	SCL input low pulse width	t_{SCLL}	$3 (6) \times t_{IICcyc} + 300$	—	ns	
	SCL, SDA input rise time	t_{Sr}	—	1000	ns	
	SCL, SDA input fall time	t_{Sf}	—	300	ns	
	SCL, SDA input spike pulse removal time	t_{SP}	0	$1 (4) \times t_{IICcyc}$	ns	
	SDA input bus free time	t_{BUF}	$3 (6) \times t_{IICcyc} + 300$	—	ns	
	Start condition input hold time	t_{STAH}	$t_{IICcyc} + 300$	—	ns	
	Restart condition input setup time	t_{STAS}	1000	—	ns	
	Stop condition input setup time	t_{STOS}	1000	—	ns	
	Data input setup time	t_{SDAS}	$t_{IICcyc} + 50$	—	ns	
	Data input hold time	t_{SDAH}	0	—	ns	
	SCL, SDA capacitive load	C_b	—	400	pF	
RIIC (Fast mode)	SCL input cycle time	t_{SCL}	$6 (12) \times t_{IICcyc} + 600$	—	ns	Figure 42.98
	SCL input high pulse width	t_{SCLH}	$3 (6) \times t_{IICcyc} + 300$	—	ns	
	SCL input low pulse width	t_{SCLL}	$3 (6) \times t_{IICcyc} + 300$	—	ns	
	SCL, SDA input rise time	t_{Sr}	$20 + 0.1C_b$	300	ns	
	SCL, SDA input fall time	t_{Sf}	$20 + 0.1C_b$	300	ns	
	SCL, SDA input spike pulse removal time	t_{SP}	0	$1 (4) \times t_{IICcyc}$	ns	
	SDA input bus free time	t_{BUF}	$3 (6) \times t_{IICcyc} + 300$	—	ns	
	Start condition input hold time	t_{STAH}	$t_{IICcyc} + 300$	—	ns	
	Restart condition input setup time	t_{STAS}	300	—	ns	
	Stop condition input setup time	t_{STOS}	300	—	ns	
	Data input setup time	t_{SDAS}	$t_{IICcyc} + 50$	—	ns	
	Data input hold time	t_{SDAH}	0	—	ns	
	SCL, SDA capacitive load	C_b	—	400	pF	

Note: • t_{IICcyc} : RIIC internal reference count clock (IIC ϕ) cycle

Note 1. The value in parentheses is used when the ICMR3.NF[1:0] bits are set to 11b while a digital filter is enabled with the ICFER.NFE bits = 1.

Note 2. C_b indicates the total capacity of the bus line.

Table 42.60 Timing of On-Chip Peripheral Modules (6)Conditions: $V_{CC} = AVCC0 = 2.7$ to 5.5 V, $V_{SS} = AVSS0 = VREFL = VREFL0 = 0$ V, $f_{PCLKB} =$ up to 32 MHz, $T_a = -40$ to $+105^\circ\text{C}$

When high-drive output is selected by the drive capacity register

Item		Symbol	Min.*1	Max.	Unit	Test Conditions
Simple IIC (Standard mode)	SDA input rise time	t_{Sr}	—	1000	ns	Figure 42.98
	SDA input fall time	t_{Sf}	—	300	ns	
	SDA input spike pulse removal time	t_{SP}	0	$4 \times t_{pcyc}^{*2}$	ns	
	Data input setup time	t_{SDAS}	250	—	ns	
	Data input hold time	t_{SDAH}	0	—	ns	
	SCL, SDA capacitive load	C_b	—	400	pF	
Simple IIC (Fast mode)	SCL, SDA input rise time	t_{Sr}	$20 + 0.1C_b$	300	ns	Figure 42.98
	SCL, SDA input fall time	t_{Sf}	$20 + 0.1C_b$	300	ns	
	SCL, SDA input spike pulse removal time	t_{SP}	0	$4 \times t_{pcyc}^{*2}$	ns	
	Data input setup time	t_{SDAS}	100	—	ns	
	Data input hold time	t_{SDAH}	0	—	ns	
	SCL, SDA capacitive load	C_b	—	400	pF	

Note: • t_{pcyc} : PCLK cycleNote 1. C_b indicates the total capacity of the bus line.

Note 2. This applies when the SMR.CKS[1:0] bits = 00b and the SNFR.NFCS[2:0] bits = 010b while the SNFR.NFE bit = 1 and the digital filter is enabled.

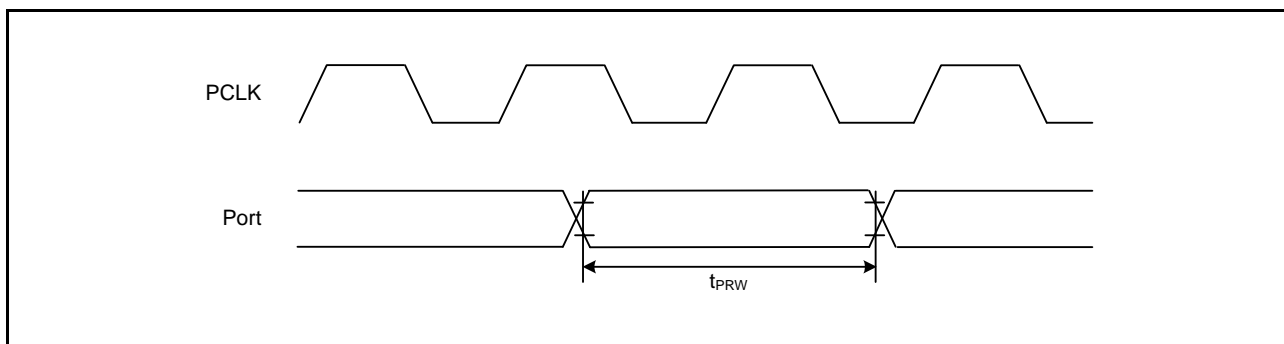


Figure 42.83 I/O Port Input Timing

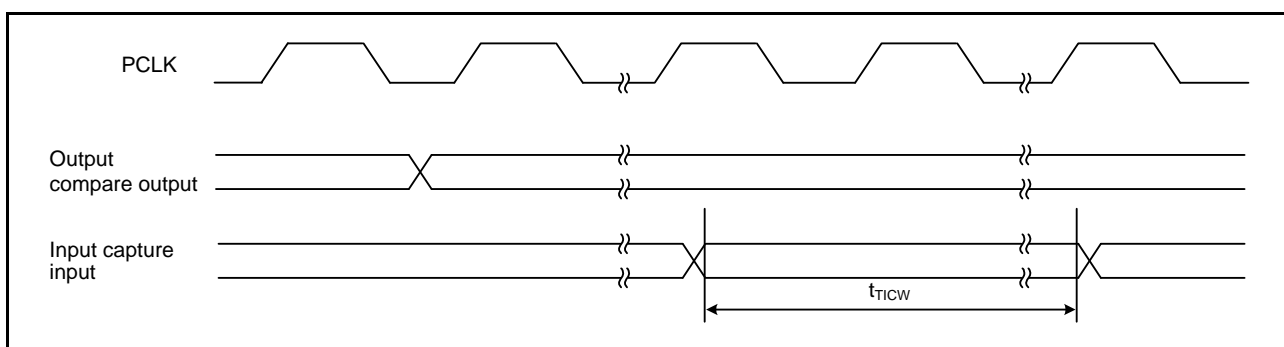


Figure 42.84 MTU/TPU Input/Output Timing

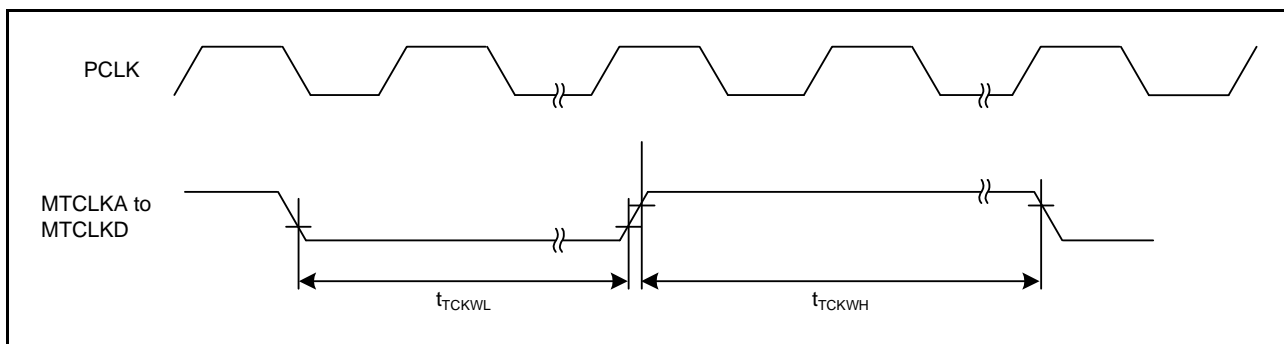


Figure 42.85 MTU/TPU Clock Input Timing

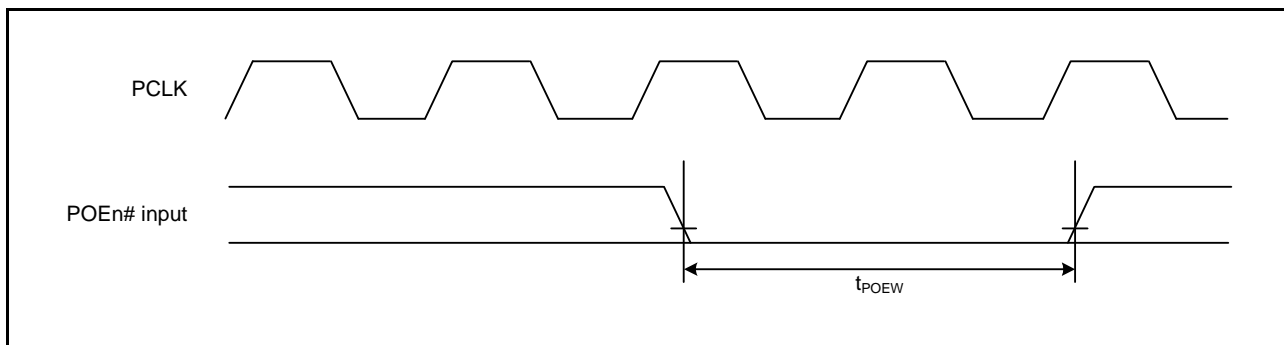


Figure 42.86 POE# Input Timing

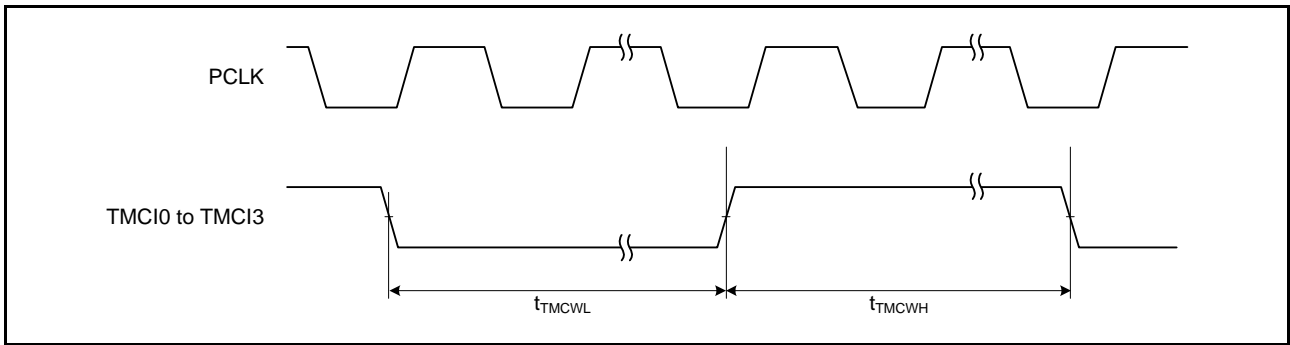


Figure 42.87 8-Bit Timer Clock Input Timing

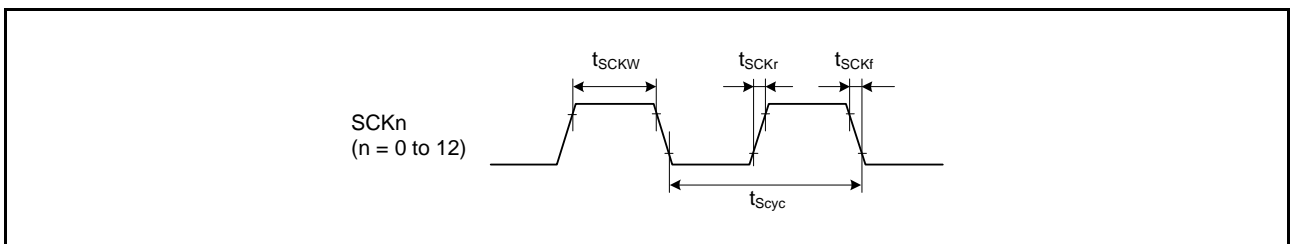


Figure 42.88 SCK Clock Input Timing

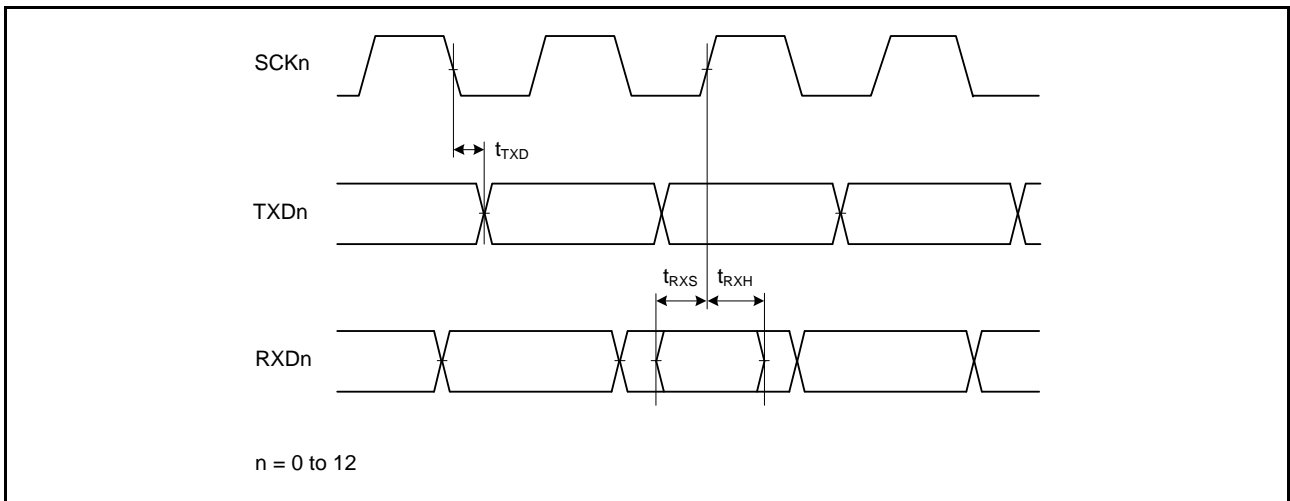


Figure 42.89 SCI Input/Output Timing: Clock Synchronous Mode

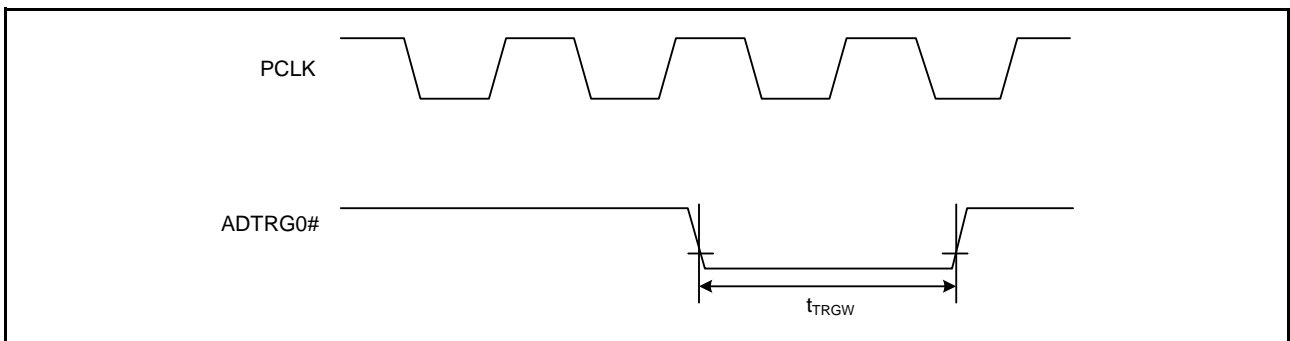


Figure 42.90 A/D Converter External Trigger Input Timing

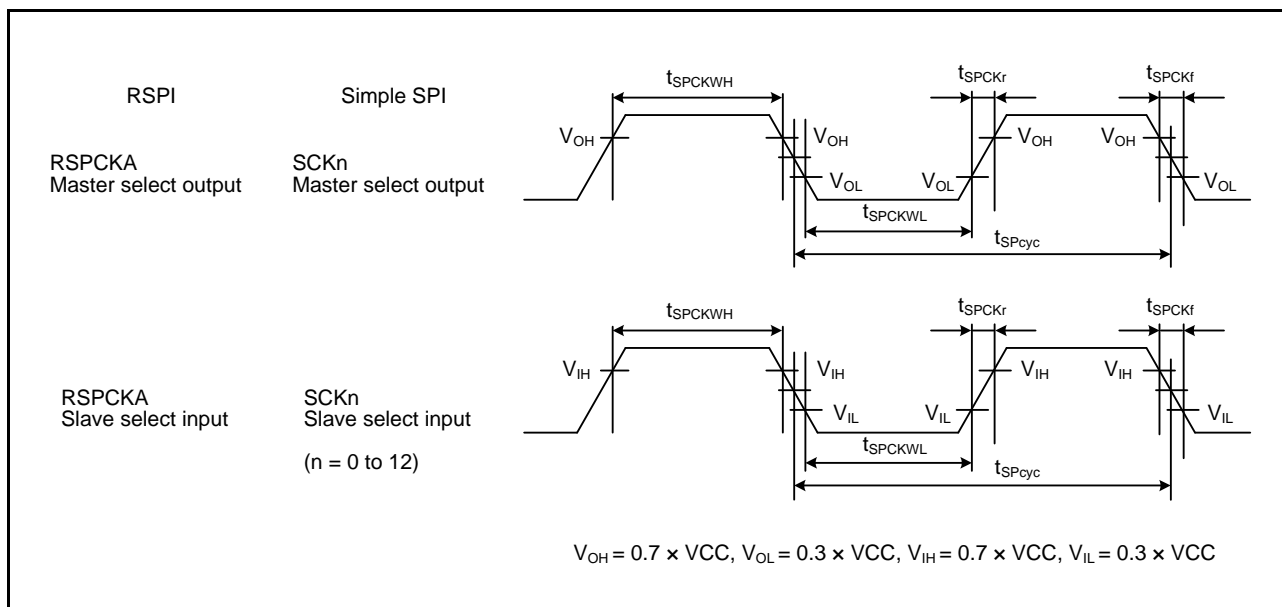


Figure 42.91 RSPI Clock Timing and Simple SPI Clock Timing

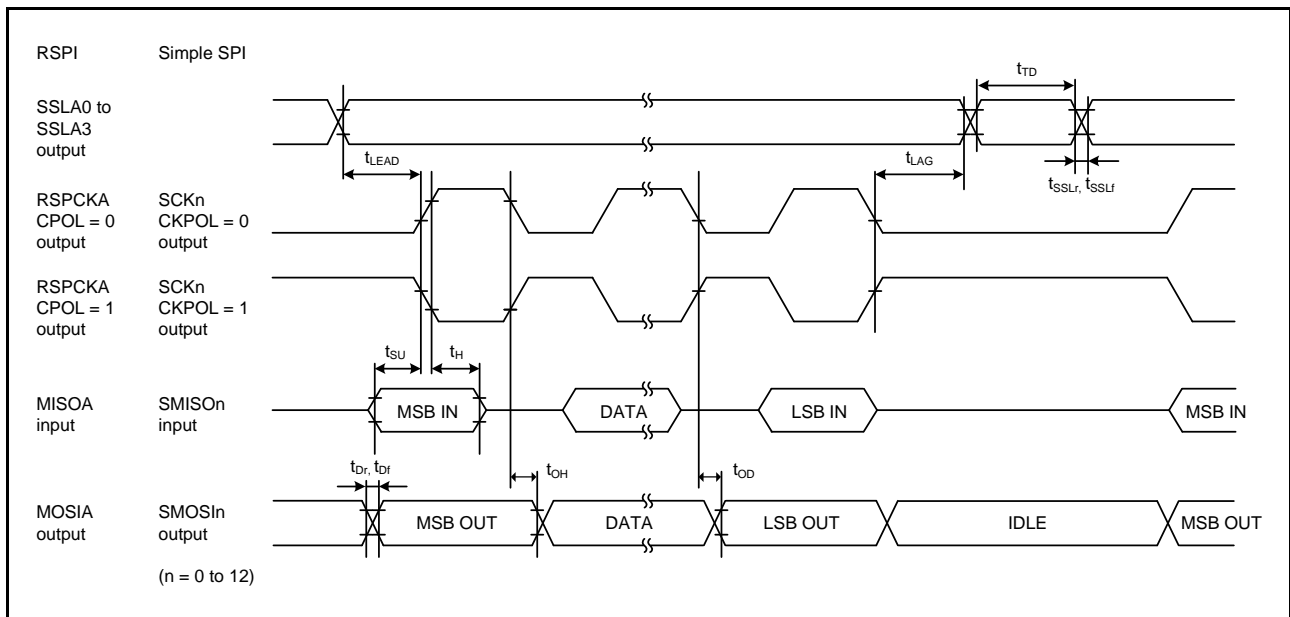


Figure 42.92 RSPI Timing (Master, CPHA = 0) (Bit Rate: PCLKB Set to Division Ratio Other Than Divided by 2) and Simple SPI Timing (Master, CKPH = 1)

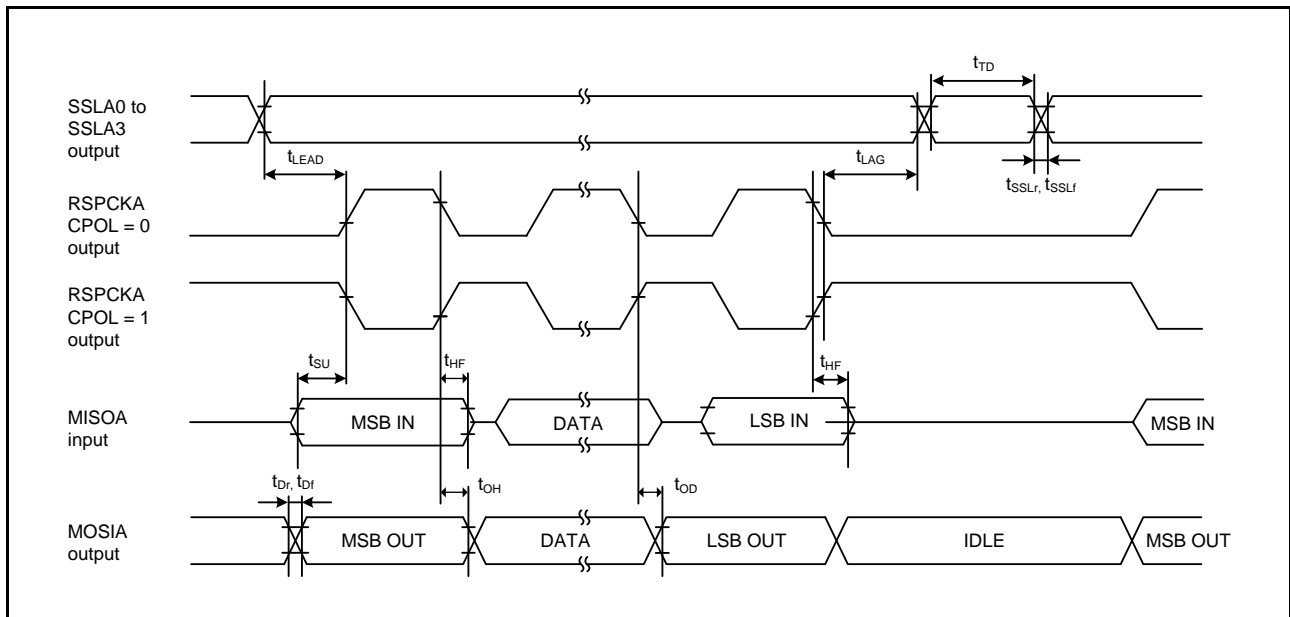


Figure 42.93 RSPI Timing (Master, CPHA = 0) (Bit Rate: PCLKB Set to Divided by 2)

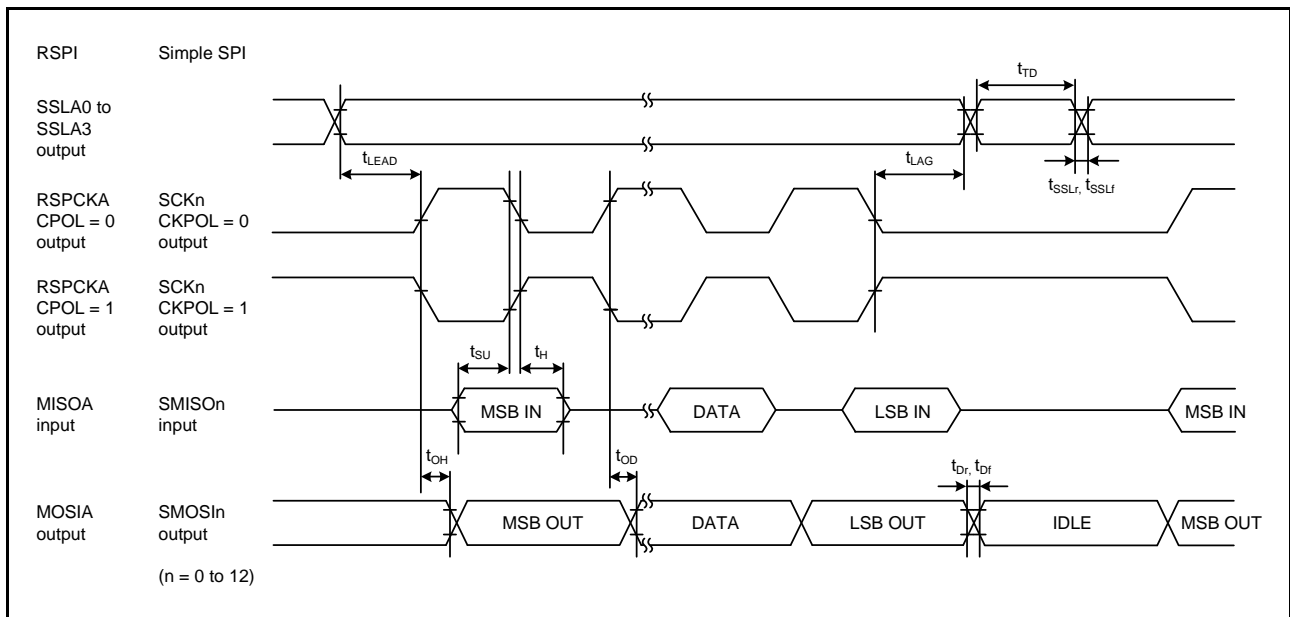


Figure 42.94 RSPI Timing (Master, CPHA = 1) (Bit Rate: PCLKB Set to Division Ratio Other Than Divided by 2) and Simple SPI Timing (Master, CKPH = 0)

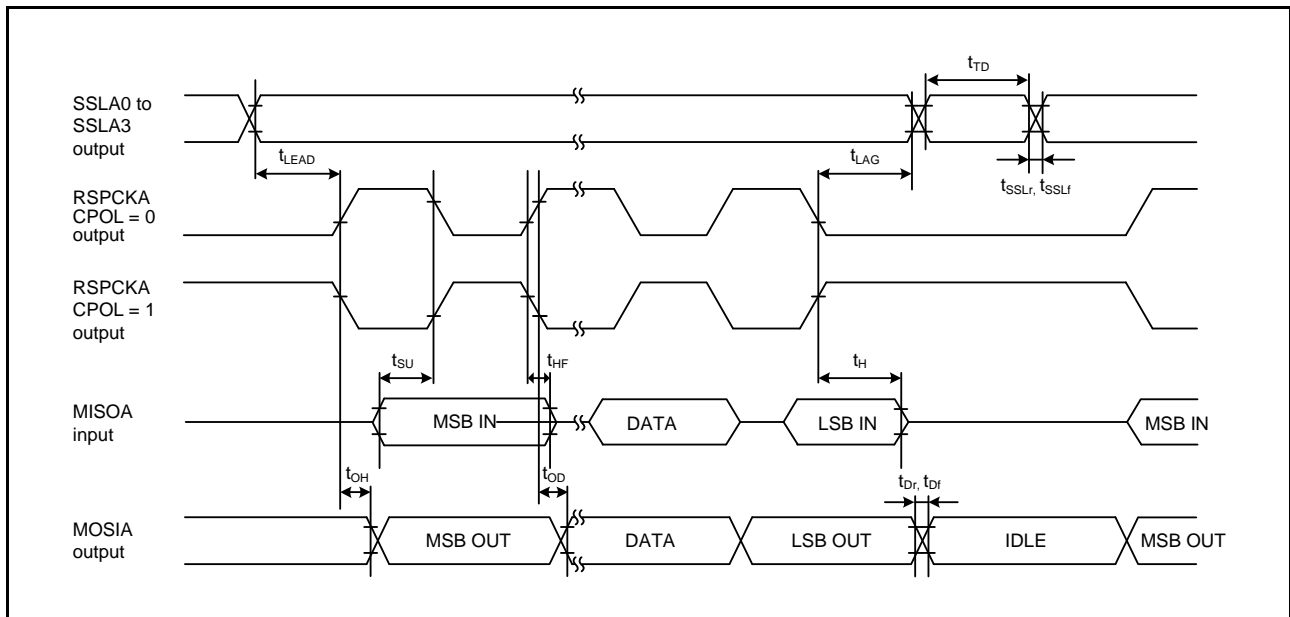


Figure 42.95 RSPI Timing (Master, CPHA = 1) (Bit Rate: PCLKB Set to Divided by 2)

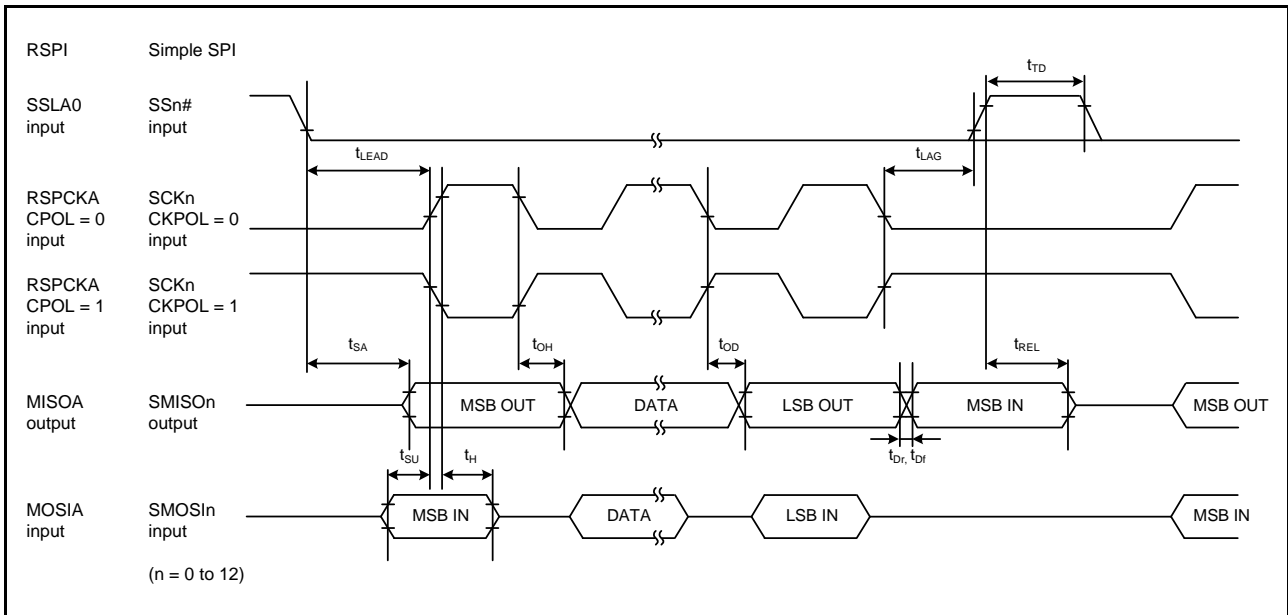


Figure 42.96 RSPI Timing (Slave, CPHA = 0) and Simple SPI Timing (Slave, CKPH = 1)

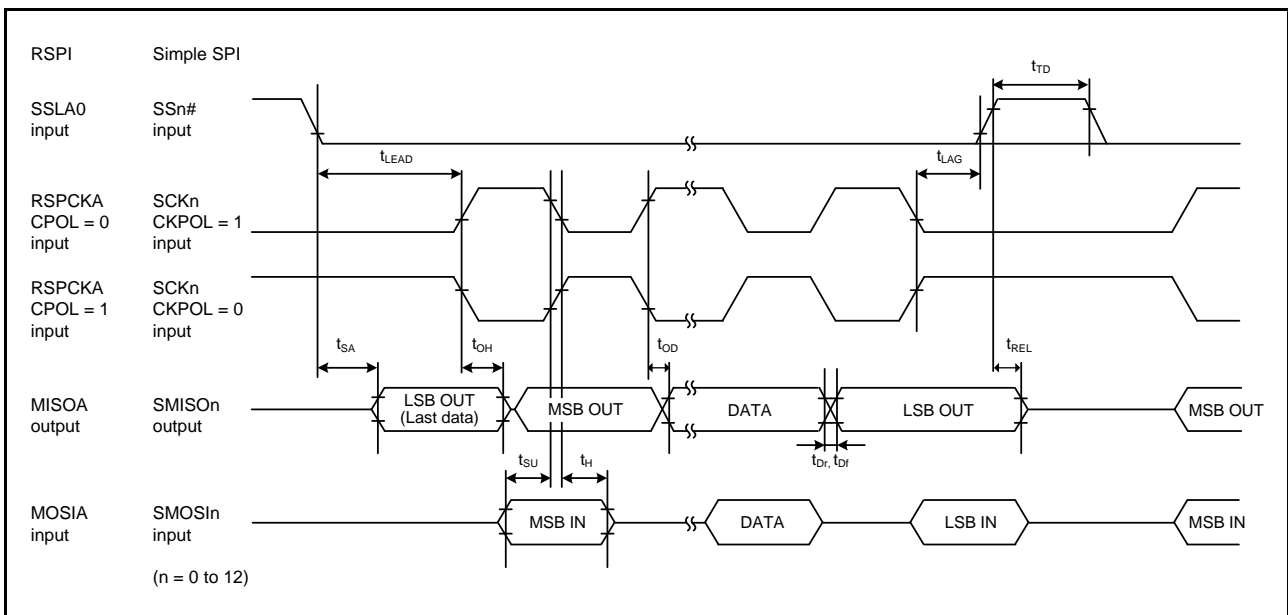


Figure 42.97 RSPI Timing (Slave, CPHA = 1) and Simple SPI Timing (Slave, CKPH = 0)

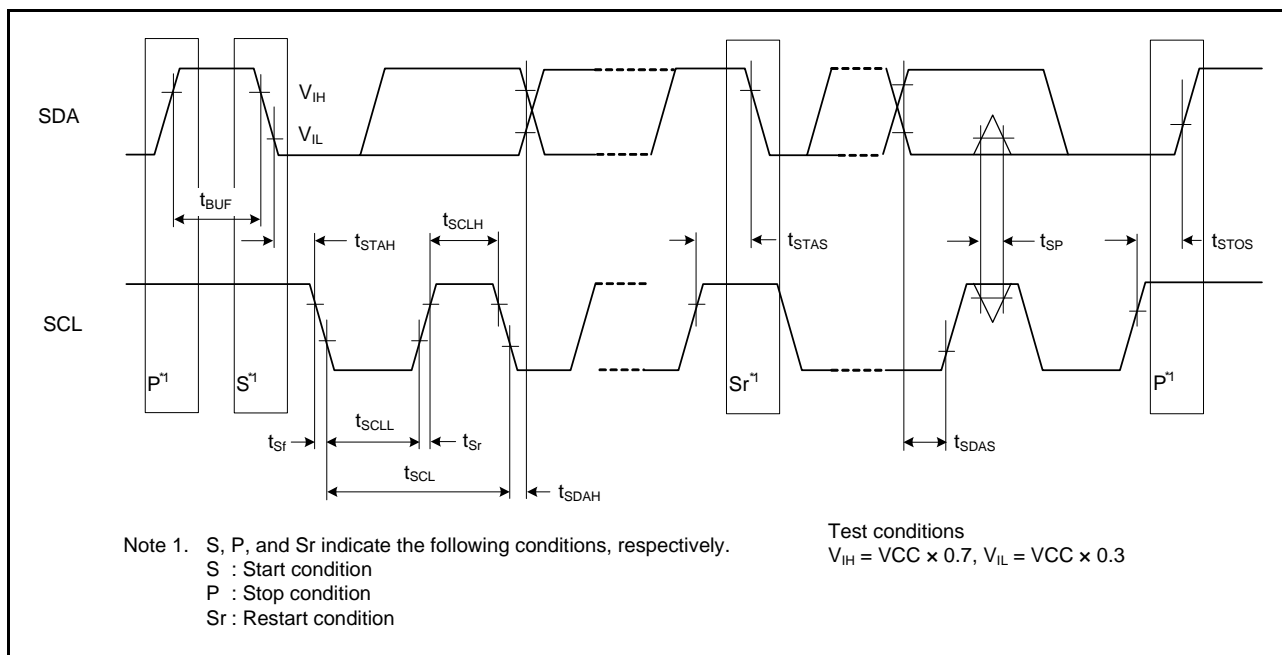


Figure 42.98 RIIC Bus Interface Input/Output Timing and Simple IIC Bus Interface Input/Output Timing

42.4 A/D Conversion Characteristics

Table 42.61 A/D Conversion Characteristics (1)

Conditions: $V_{CC} = AV_{CC0} = 2.7$ to 5.5 V, $V_{REFH0} \geq 2.7$ V, $AV_{CC0} - 0.9$ V $\leq V_{REFH0} \leq AV_{CC0} \times 3$,
 $V_{SS} = AV_{SS0} = V_{REFL} = V_{REFL0} = 0$ V, $T_a = -40$ to $+105^\circ\text{C}$

Item	Min.	Typ.	Max.	Unit	Test Conditions
A/D conversion clock frequency (fPCLKD)	1	—	50	MHz	
Resolution	—	—	12	Bit	
Conversion time*1 (Operation at fPCLKD = 50 MHz)	Permissible signal source impedance (Max.) = 0.5 k Ω	1.0 (0.4)*2	—	μs	Sampling in 20 states
	Permissible signal source impedance (Max.) = 1 k Ω	1.1 (0.5)*2	—		Sampling in 25 states
	Permissible signal source impedance (Max.) = 5 k Ω	1.5 (0.9)*2	—		Sampling in 45 states
Analog input capacitance	—	—	30	pF	
Offset error	—	± 0.5	± 4.5	LSB	High-precision channel
			± 7.5		Normal-precision channel
Full-scale error	—	± 0.75	± 4.5	LSB	High-precision channel
			± 7.5		Normal-precision channel
Quantization error	—	± 0.5	—	LSB	
Absolute accuracy	—	± 1.25	± 5.0	LSB	High-precision channel
			± 8.0		Normal-precision channel
DNL differential nonlinearity error	—	± 1.0	—	LSB	
INL integral nonlinearity error	—	± 1.0	± 3.0	LSB	

- Note: • PCLKD must be set to 40 MHz or lower when HOCO is to be selected as the A/D conversion clock. The characteristics apply when no pin functions other than A/D converter input are used. Absolute accuracy includes quantization errors. Offset error, full-scale error, DNL differential nonlinearity error, and INL integral nonlinearity error do not include quantization errors.
- Note: • When using the channel-dedicated sample-and-hold circuit, use the AN000 to AN002 analog input voltage (V_{AN}) that satisfies all the following conditions: 0.25 V $\leq V_{AN} \leq AV_{CC0} - 0.25$ V, $V_{AN} \leq V_{REFH0}$, and $AV_{CC0} \geq 2.7$ V.
- Note 1. The conversion time is the sum of the sampling time and the comparison time. As the test conditions, the number of sampling states is indicated.
- Note 2. The value in parentheses indicates the sampling time.
- Note 3. When using the temperature sensor, use it when $AV_{CC0} = V_{REFH0}$.

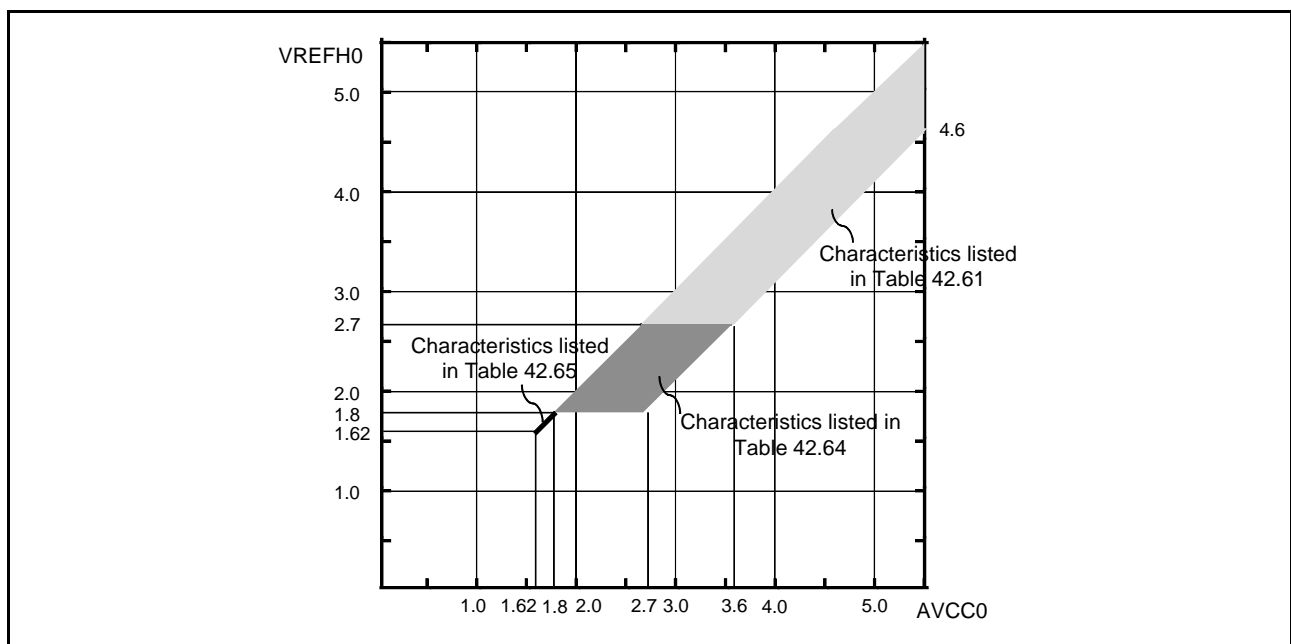


Figure 42.99 AVCC0 to VREFH0 Voltage Range

Table 42.62 Channel Classification for A/D Converter

Classification	Channel	Channel-Dedicated Sample-and-Hold Circuit	Conditions	
High-precision channel	AN000 to AN002	Used	AVCC0 = 2.7 to 5.5 V AVCC0 - 0.9 V ≤ VREFH0 ≤ AVCC0 VREFH0 ≥ 2.7 V AVSS0 = VREFL0 = 0 V 0.25 V ≤ V _{AN} ≤ AVCC0 - 0.25 V V _{AN} ≤ VREFH0	It is disallowed to use pins AN000 to AN007 as digital outputs when the A/D converter is used.
		Not used	AVCC0 = 1.62 to 5.5 V When AVCC0 ≥ 1.8 V, AVCC0 - 0.9 V ≤ VREFH0 ≤ AVCC0 VREFH0 ≥ 1.8 V When AVCC0 < 1.8 V, VREFH0 = AVCC0 AVSS0 = VREFL0 = 0 V 0 V ≤ V _{AN} ≤ VREFH0	
AN003 to AN007	—			
Normal-precision channel	AN008 to AN015	—		

Table 42.63 A/D Internal Reference Voltage Characteristics

Conditions: VCC = AVCC0 = 1.62 to 5.5 V, VSS = AVSS0 = VREFL = VREFL0 = 0 V, Ta = -40 to +105°C

Item	Min.	Typ.	Max.	Unit	Test Conditions
A/D internal reference voltage	1.35	1.50	1.65	V	

Table 42.64 A/D Conversion Characteristics (2)

Conditions: $V_{CC} = AV_{CC0} = 1.8$ to 3.6 V, 1.8 V $\leq V_{REFH0} \leq 2.7$ V, $AV_{CC0} - 0.9$ V $\leq V_{REFH0} \leq AV_{CC0}^{*3}$,
 $V_{SS} = AV_{SS0} = V_{REFL} = V_{REFL0} = 0$ V, $T_a = -40$ to $+105^{\circ}\text{C}$

Item		Min.	Typ.	Max.	Unit	Test Conditions
A/D conversion clock frequency (fPCLKD)		1	—	25	MHz	
Resolution		—	—	12	Bit	
Conversion time*1 (Operation at fPCLKD = 25 MHz)	Permissible signal source impedance (Max.) = 1 k Ω	2.0 (0.8)*2	—	—	μs	Sampling in 20 states
	Permissible signal source impedance (Max.) = 5 k Ω	2.2 (1.0)*2	—	—		Sampling in 25 states
Analog input capacitance		—	—	30	pF	
Offset error		—	± 0.5	± 7.5	LSB	
Full-scale error		—	± 1.25	± 7.5	LSB	
Quantization error		—	± 0.5	—	LSB	
Absolute accuracy		—	± 3.0	± 8.0	LSB	
DNL differential nonlinearity error		—	± 1.25	—	LSB	
INL integral nonlinearity error		—	± 1.5	± 3.0	LSB	

Note: • The characteristics apply when no pin functions other than A/D converter input are used. Absolute accuracy includes quantization errors. Offset error, full-scale error, DNL differential nonlinearity error, and INL integral nonlinearity error do not include quantization errors.

Note: • When using the channel-dedicated sample-and-hold circuit, use the AN000 to AN002 analog input voltage (V_{AN}) that satisfies all the following conditions: 0.25 V $\leq V_{AN} \leq AV_{CC0} - 0.25$ V, $V_{AN} \leq V_{REFH0}$, and $AV_{CC0} \geq 2.7$ V.

Note 1. The conversion time is the sum of the sampling time and the comparison time. As the test conditions, the number of sampling states is indicated.

Note 2. The value in parentheses indicates the sampling time.

Note 3. When using the temperature sensor, use it when $AV_{CC0} = V_{REFH0}$.

Table 42.65 A/D Conversion Characteristics (3)

Conditions: $V_{CC} = AV_{CC0} = 1.62$ to 1.8 V, $V_{REFH0} = AV_{CC0}$,
 $V_{SS} = AV_{SS0} = V_{REFL} = V_{REFL0} = 0$ V, $T_a = -40$ to $+105^{\circ}\text{C}$

Item		Min.	Typ.	Max.	Unit	Test Conditions
A/D conversion clock frequency (fPCLKD)		1	—	12.5	MHz	
Resolution		—	—	12	Bit	
Conversion time*1 (Operation at fPCLKD = 12.5 MHz)	Permissible signal source impedance (Max.) = 1 k Ω	3.36 (0.96)*2	—	—	μs	Sampling in 12 states
	Permissible signal source impedance (Max.) = 5 k Ω	3.6 (1.2)*2	—	—		Sampling in 15 states
Analog input capacitance		—	—	30	pF	
Offset error		—	± 0.5	± 7.5	LSB	
Full-scale error		—	± 1.25	± 7.5	LSB	
Quantization error		—	± 0.5	—	LSB	
Absolute accuracy		—	± 2.75	± 8.0	LSB	
DNL differential nonlinearity error		—	± 1.25	—	LSB	
INL integral nonlinearity error		—	± 1.25	± 3.0	LSB	

Note: • The characteristics apply when no pin functions other than A/D converter input are used. Absolute accuracy includes quantization errors. Offset error, full-scale error, DNL differential nonlinearity error, and INL integral nonlinearity error do not include quantization errors.

Note 1. The conversion time is the sum of the sampling time and the comparison time. As the test conditions, the number of sampling states is indicated.

Note 2. The value in parentheses indicates the sampling time.

Table 42.66 Sampling Time

Conditions: $V_{CC} = AV_{CC0} = 1.62$ to 5.5 V, $V_{SS} = AV_{SS0} = V_{REFL} = V_{REFL0} = 0$ V, $T_a = -40$ to $+105^\circ\text{C}$

Item	Symbol	Typ.	Unit	Test Conditions	
Sampling time	High-precision channel	Ts	$0.2 + 0.14 \times R_0$ (K Ω)	μs	Figure 42.100
	Normal-precision channel				

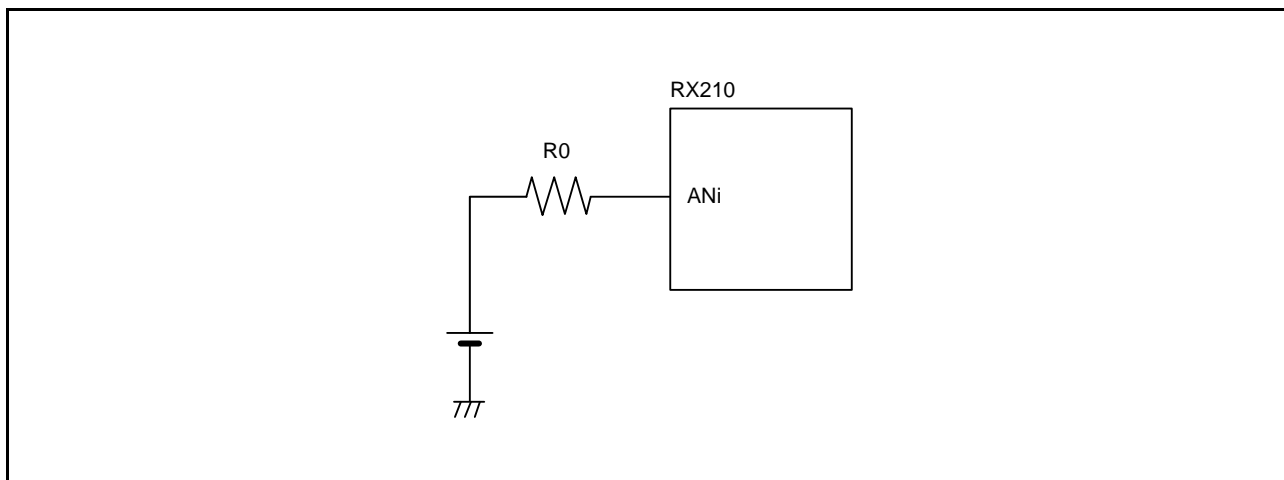


Figure 42.100 Internal Equivalent Circuit of Analog Input Pin

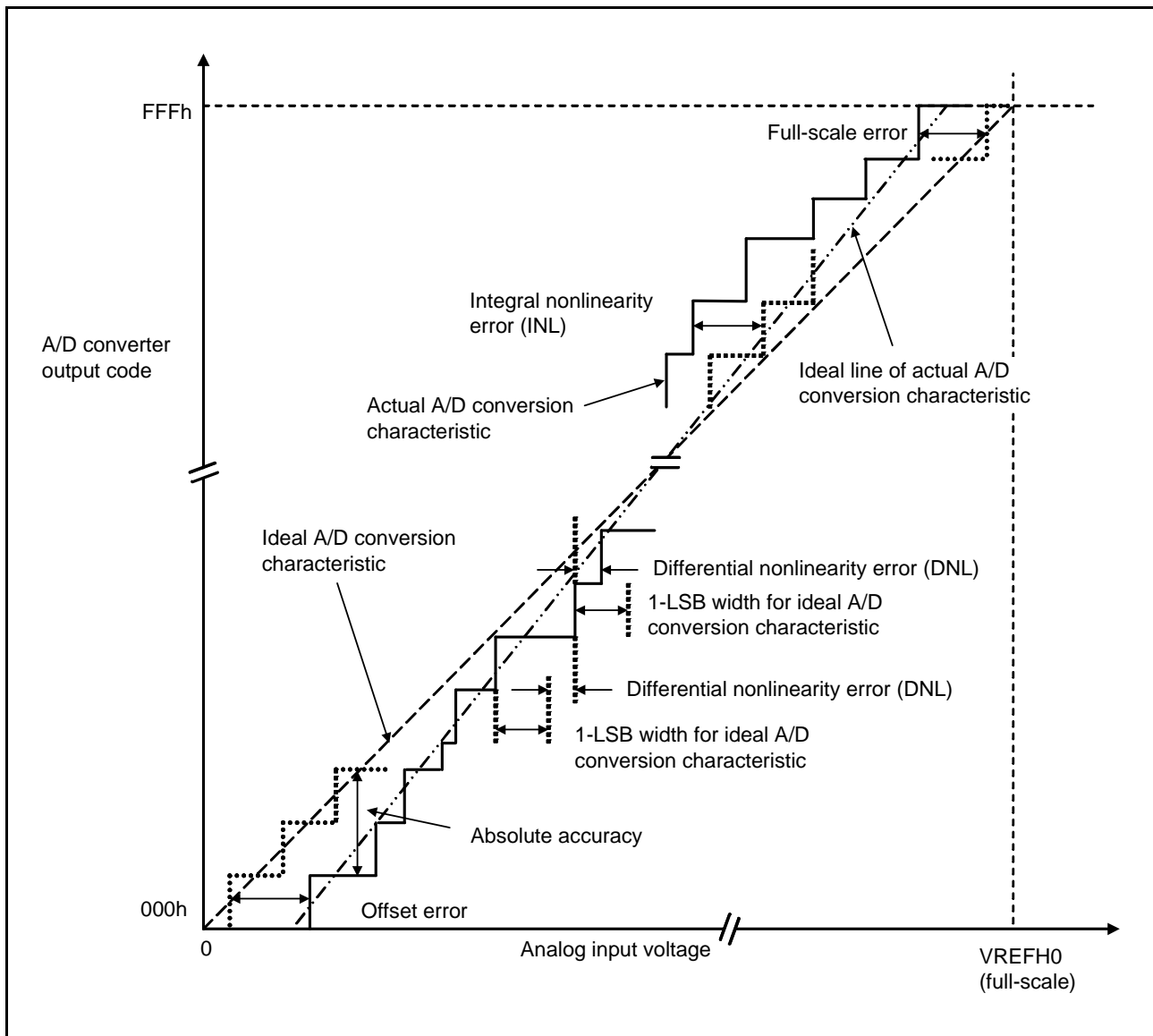


Figure 42.101 Illustration of A/D Converter Characteristic Terms

Absolute accuracy

Absolute accuracy is the difference between output code based on the theoretical A/D conversion characteristics, and the actual A/D conversion result. When measuring absolute accuracy, the voltage at the midpoint of the width of analog input voltage (1-LSB width), that can meet the expectation of outputting an equal code based on the theoretical A/D conversion characteristics, is used as an analog input voltage. For example, if 12-bit resolution is used and if reference voltage ($V_{REFH0} = 5.12 \text{ V}$), then 1-LSB width becomes 1.25 mV, and 0 mV, 1.25 mV, 2.5 mV, ... are used as analog input voltages.

If analog input voltage is 10 mV, absolute accuracy = $\pm 5 \text{ LSB}$ means that the actual A/D conversion result is in the range of 003h to 00Dh though an output code, 008h, can be expected from the theoretical A/D conversion characteristics.

Integral nonlinearity error (INL)

Integral nonlinearity error is the maximum deviation between the ideal line when the measured offset and full-scale errors are zeroed, and the actual output code.

Differential nonlinearity error (DNL)

Differential nonlinearity error is the difference between 1-LSB width based on the ideal A/D conversion characteristics and the width of the actually output code.

Offset error

Offset error is the difference between a transition point of the ideal first output code and the actual first output code.

Full-scale error

Full-scale error is the difference between a transition point of the ideal last output code and the actual last output code.

42.5 D/A Conversion Characteristics

Table 42.67 D/A Conversion Characteristics (1)

Conditions: $V_{CC} = AVCC0 = 2.7$ to 5.5 V, $V_{REFH} = 2.7$ V to $AVCC0$,
 $V_{SS} = AVSS0 = V_{REFL} = V_{REFL0} = 0$ V, $f_{PCLKB} =$ up to 32 MHz, $T_a = -40$ to $+105^{\circ}\text{C}$

Item	Min.	Typ.	Max.	Unit	Test Conditions
Resolution	—	—	10	Bit	
Conversion time	—	—	3.0	μs	20-pF capacitive load
Absolute accuracy	—	± 3.0	± 5.0	LSB	4-M Ω resistive load
	—	—	± 4.0	LSB	8-M Ω resistive load
RO output resistance	—	4.1	—	k Ω	

Table 42.68 D/A Conversion Characteristics (2)

Conditions: $V_{CC} = AVCC0 = 2.7$ to 5.5 V, $V_{REFH} = 1.8$ V to $AVCC0$,
 $V_{SS} = AVSS0 = V_{REFL} = V_{REFL0} = 0$ V, $f_{PCLKB} =$ up to 32 MHz, $T_a = -40$ to $+105^{\circ}\text{C}$

Item	Min.	Typ.	Max.	Unit	Test Conditions
Resolution	—	—	10	Bit	
Conversion time	—	—	10.0	μs	20-pF capacitive load
Absolute accuracy	—	± 5.0	± 6.0	LSB	4-M Ω resistive load
	—	—	± 5.0	LSB	8-M Ω resistive load
RO output resistance	—	4.1	—	k Ω	

42.6 Temperature Sensor Characteristics

Table 42.69 Temperature Sensor Characteristics

Conditions: $V_{CC} = AVCC0 = V_{REFH0} = 1.8$ to 5.5 V, $V_{SS} = AVSS0 = V_{REFL} = V_{REFL0} = 0$ V, $T_a = -40$ to $+105^{\circ}\text{C}$

Item	Symbol	Min.	Typ.	Max.	Unit	Test Conditions
Relative accuracy	—	—	± 1.0	—	$^{\circ}\text{C}$	
Temperature slope	$1.8 \leq AVCC0 < 2.7$	—	7.27	—	mV/ $^{\circ}\text{C}$	PGAGAIN = 00b
	$2.7 \leq AVCC0 < 3.6$	—	10.46	—		PGAGAIN = 01b
	$3.6 \leq AVCC0 < 4.5$	—	13.98	—		PGAGAIN = 10b
	$4.5 \leq AVCC0 \leq 5.5$	—	21.65	—		PGAGAIN = 11b
Output voltage (@ 25 $^{\circ}\text{C}$)	—	—	1.375	—	V	$V_{CC} = 3.6$ V
Temperature sensor start time	t_{START}	—	—	80	μs	Figure 42.102
Sampling time	—	30	72	300	μs	
PGA restart time	$t_{\text{RST_PGA}}$	—	—	40	μs	

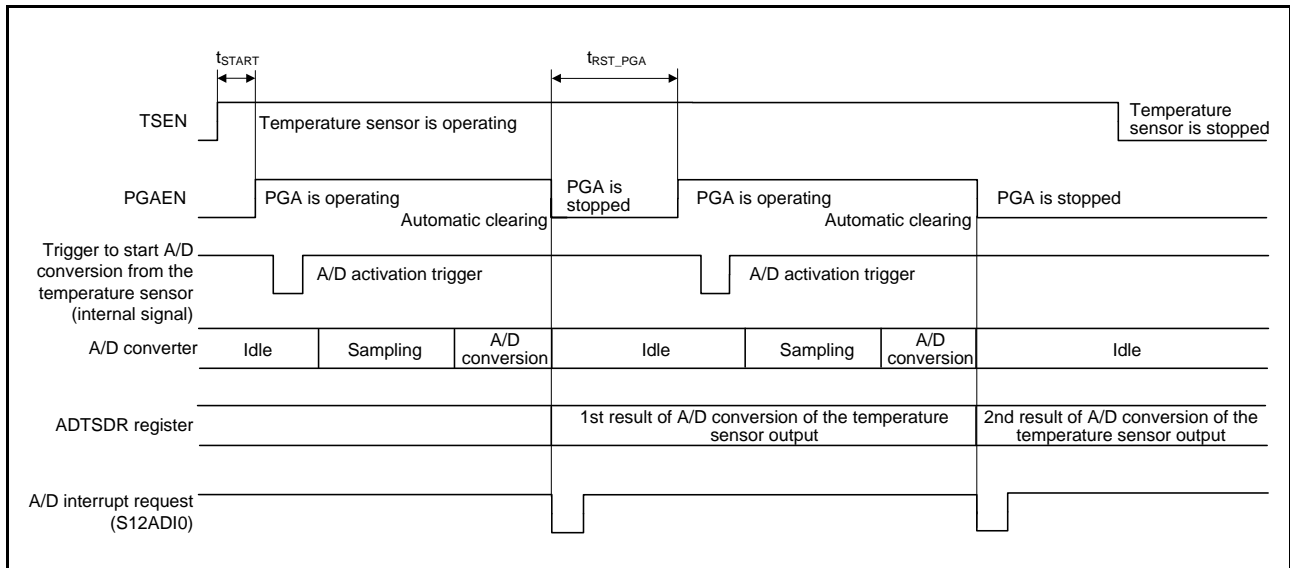


Figure 42.102 A/D Conversion Timing Example of the Temperature Sensor (Two Conversions Performed)

42.7 Comparator Characteristics

Table 42.70 Comparator Characteristics

Conditions: VCC = AVCC0 = 1.62 to 5.5 V, VSS = AVSS0 = VREFL = VREFL0 = 0 V, Ta = -40 to +105°C

Item	Symbol	Min.	Typ.	Max.	Unit	Test Conditions	
Comparator A	External reference voltage input range	LVREF	1.4	—	VCC	V	
	External comparison voltage (CMPA1, CMPA2) input range	VI	-0.3	—	VCC + 0.3	V	
	Offset	—	—	±50	±150	mV	
	Comparator output delay time*1	—	—	3	—	μs	At falling edge VI = LVREF - 110 mV
				2	—	μs	At falling edge VI < LVREF - 1 V
				3	—	μs	At rising edge VI = LVREF + 160 mV
1.5				—	μs	At rising edge VI > LVREF + 1 V	
Comparator operating current	ICMPA	—	0.5	—	μA	VCC = 5.0 V	
Comparator B	Input reference voltage for CVREFB0, CVREFB1	VREF	0	—	VCC - 1.4	V	
	Input voltage for CMPB0, CMPB1	VI	-0.3	—	VCC + 0.3	V	
	Offset	—	—	±10	±100	mV	
	Comparator output delay time	td	—	—	1	μs	VI = VREF + 100 mV
	Comparator operating current	ICMPB	—	75	150	μA	VCC = 5.0 V For total two channels

Note 1. When the digital filter is disabled.

42.8 Power-on Reset Circuit and Voltage Detection Circuit Characteristics

Table 42.71 Power-on Reset Circuit and Voltage Detection Circuit Characteristics (1)Conditions: VCC = AVCC0, VSS = AVSS0 = VREFL = VREFL0 = 0 V, T_a = -40 to +105°C

Item			Symbol	Min.	Typ.	Max.	Unit	Test Conditions
Voltage detection level	Power-on reset (POR)	Low power consumption function disabled*1	V _{POR}	1.30	1.40	1.55	V	Figure 42.103 and Figure 42.104
		Low power consumption function enabled*2		1.00	1.20	1.45		
Voltage detection circuit (LVD0)*3			V _{det0_0}	3.65	3.80	3.95	V	Figure 42.105
			V _{det0_1}	2.70	2.80	2.90		
			V _{det0_2}	1.80	1.90	2.00		
			V _{det0_3}	1.62	1.72	1.82		
Voltage detection circuit (LVD1)*4			V _{det1_0}	4.00	4.15	4.30	V	Figure 42.106 At falling edge VCC
			V _{det1_1}	3.85	4.00	4.15		
			V _{det1_2}	3.70	3.85	4.00		
			V _{det1_3}	3.55	3.70	3.85		
			V _{det1_4}	3.40	3.55	3.70		
			V _{det1_5}	3.25	3.40	3.55		
			V _{det1_6}	3.10	3.25	3.40		
			V _{det1_7}	2.95	3.10	3.25		
			V _{det1_8}	2.85	2.95	3.05		
			V _{det1_9}	2.70	2.80	2.90		
			V _{det1_A}	2.55	2.65	2.75		
			V _{det1_B}	2.40	2.50	2.60		
			V _{det1_C}	2.25	2.35	2.45		
			V _{det1_D}	2.10	2.20	2.30		
			V _{det1_E}	1.95	2.05	2.15		
V _{det1_F}	1.80	1.90	2.00					

Note: • These characteristics apply when noise is not superimposed on the power supply.

Note 1. When the CPU is in a mode other than software standby and deep software standby modes, when the CPU transits to software standby mode with the FHSSBYCR.SOFTCUT[2] bit set to 0, or when the CPU transits to deep software standby mode with the DPSBYCR.DEEPCUT1 bit set to 0.

Note 2. When the CPU transits to software standby mode with the FHSSBYCR.SOFTCUT[2] bit set to 1 or when the CPU transits to deep software standby mode with the DPSBYCR.DEEPCUT1 bit set to 1.

Note 3. # in the symbol V_{det0_#} denotes the value of the LDSEL[1:0] bits.

Note 4. # in the symbol V_{det1_#} denotes the value of the LVDLVLR.LVD1LVL[3:0] bits.

Table 42.72 Power-on Reset Circuit and Voltage Detection Circuit Characteristics (2)Conditions: $V_{CC} = AV_{CC0}$, $V_{SS} = AV_{SS0} = V_{REFL} = V_{REFL0} = 0\text{ V}$, $T_a = -40\text{ to }+105^\circ\text{C}$

Item	Symbol	Min.	Typ.	Max.	Unit	Test Conditions	
Voltage detection level	Voltage detection circuit (LVD2)*1	V_{det2_0}	4.00	4.15	4.30	V	Figure 42.107 At falling edge VCC
	V_{det2_1}	3.85	4.00	4.15			
	V_{det2_2}	3.70	3.85	4.00			
	V_{det2_3}	3.55	3.70	3.85			
	V_{det2_4}	3.40	3.55	3.70			
	V_{det2_5}	3.25	3.40	3.55			
	V_{det2_6}	3.10	3.25	3.40			
	V_{det2_7}	2.95	3.10	3.25			
	V_{det2_8}	2.85	2.95	3.05			
	V_{det2_9}	2.70	2.80	2.90			
	V_{det2_A}	2.55	2.65	2.75			
	V_{det2_B}	2.40	2.50	2.60			
	V_{det2_C}	2.25	2.35	2.45			
	V_{det2_D}	2.10	2.20	2.30			
	V_{det2_E}	1.95	2.05	2.15			
V_{det2_F}	1.80	1.90	2.00				
	V_{CMPA2}	1.18	1.33	1.48		EXVCCINP2 = 1	
Internal reset time	Power-on reset time	t_{POR}	—	9	—	ms	Figure 42.104
	Voltage monitoring 0 reset time	t_{LVD0}	—	9	—		Figure 42.105
	Voltage monitoring 1 reset time	t_{LVD1}	—	1.4	—		Figure 42.106
	Voltage monitoring 2 reset time	t_{LVD2}	—	1.4	—		Figure 42.107
Minimum VCC down time*2	t_{VOFF}	200	—	—	μs	Figure 42.103	
Response delay time	t_{det}	—	—	200	μs	Figure 42.104	
LVD operation stabilization time (after LVD is enabled)	$T_{d(E-A)}$	—	—	15	μs	Figure 42.106 and Figure 42.107	
Power-on reset enable time	$t_{W(POR)}$	1	—	—	ms	Figure 42.104 VCC = 0.9 V or lower	
Hysteresis width (LVD1 and LVD2)	V_{LVH}	—	100	—	mV	When selection is from among VdetX_0 to 7.	
		—	50	—		When selection is from among VdetX_8 to F.	

Note: • These characteristics apply when noise is not superimposed on the power supply.

Note 1. # in the symbol Vdet2_# denotes the value of the LVDLVLR.LVD2LVL[3:0] bits.

Note 2. The minimum VCC down time indicates the time when VCC is below the minimum value of voltage detection levels V_{POR} , V_{det0} , V_{det1} , and V_{det2} for the POR/LVD.

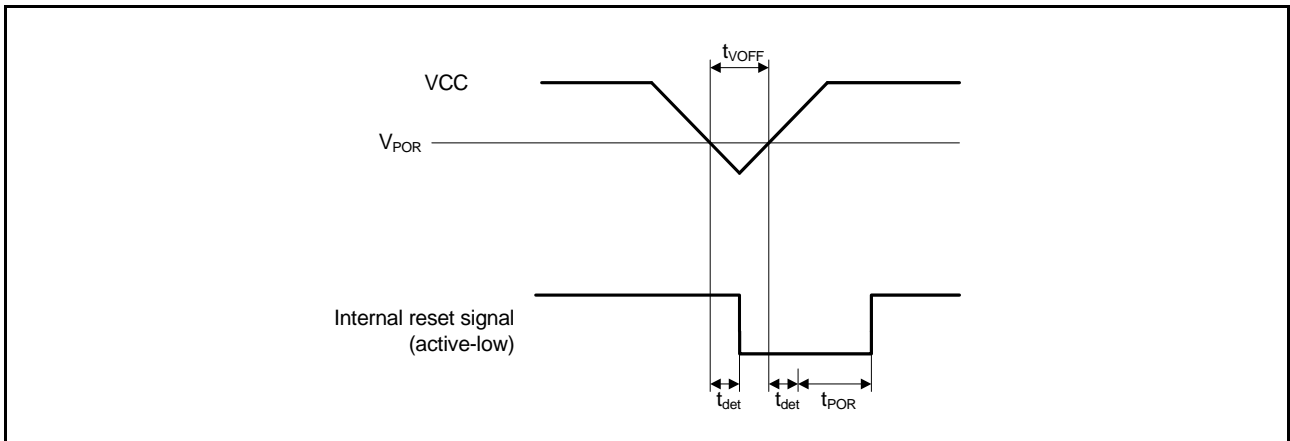
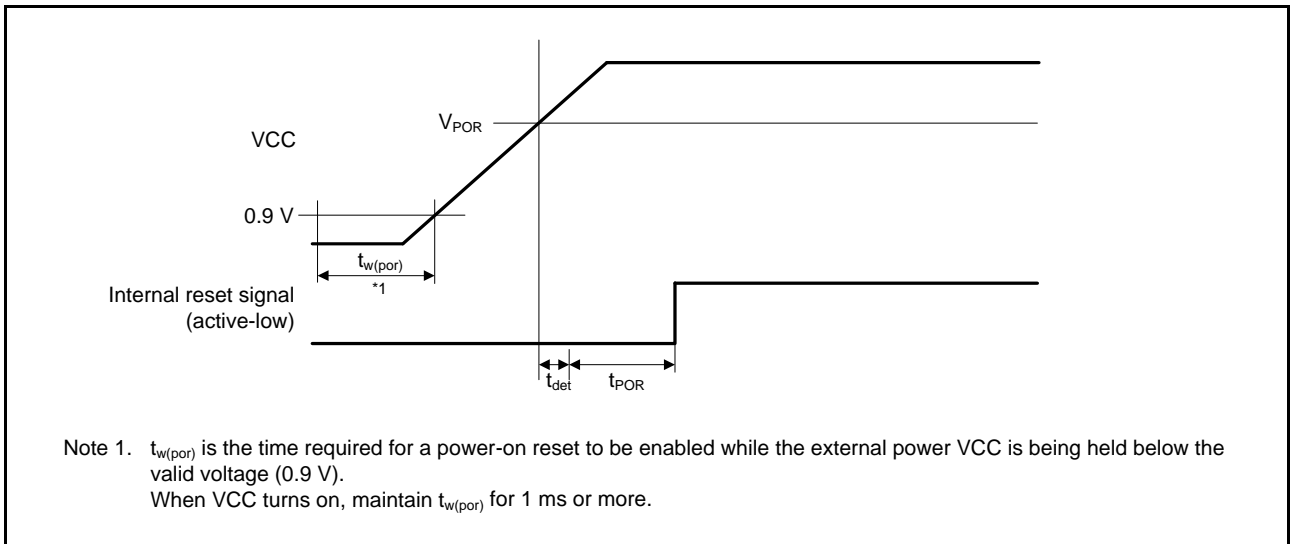


Figure 42.103 Voltage Detection Reset Timing



Note 1. $t_{w(por)}$ is the time required for a power-on reset to be enabled while the external power VCC is being held below the valid voltage (0.9 V).
When VCC turns on, maintain $t_{w(por)}$ for 1 ms or more.

Figure 42.104 Power-on Reset Timing

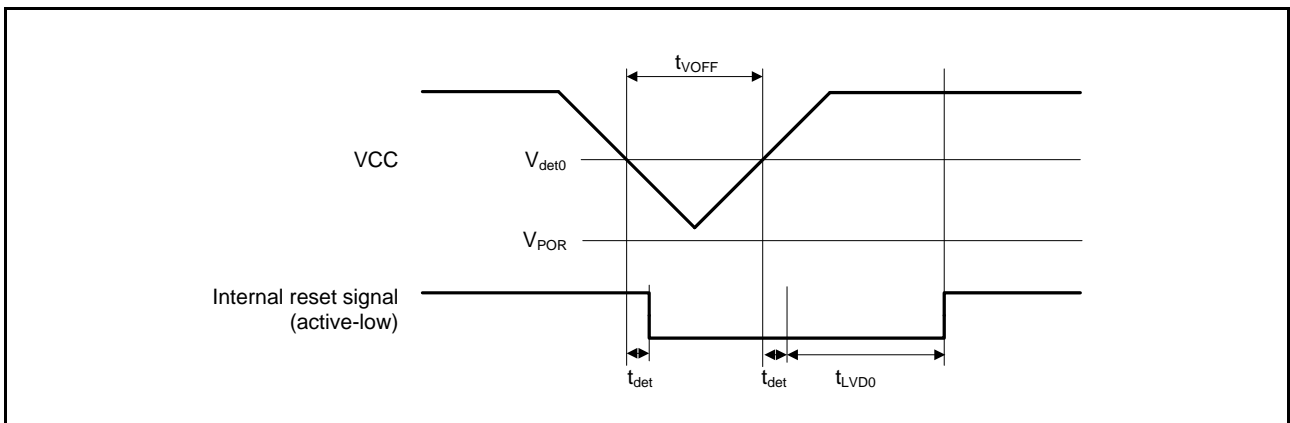


Figure 42.105 Voltage Detection Circuit Timing (V_{det0})

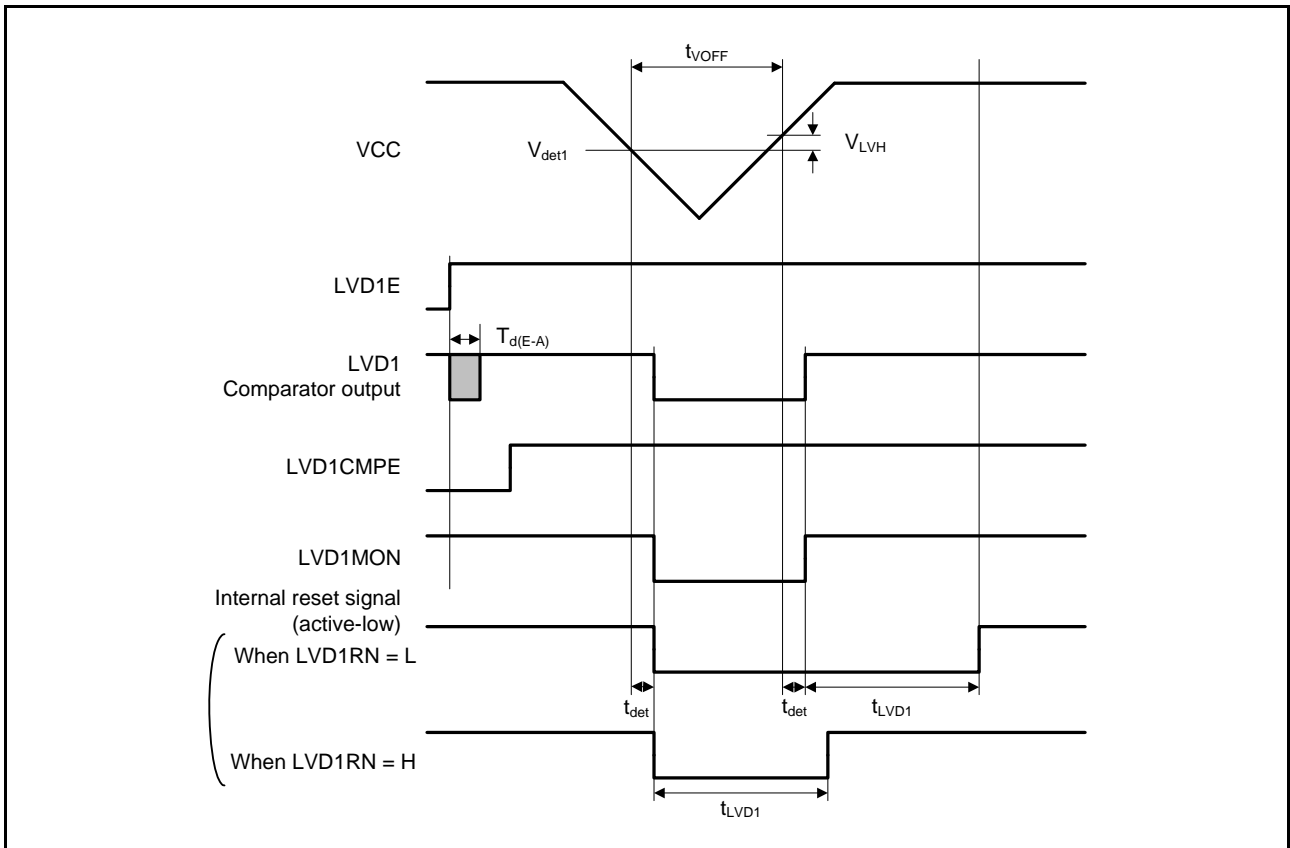


Figure 42.106 Voltage Detection Circuit Timing (V_{det1})

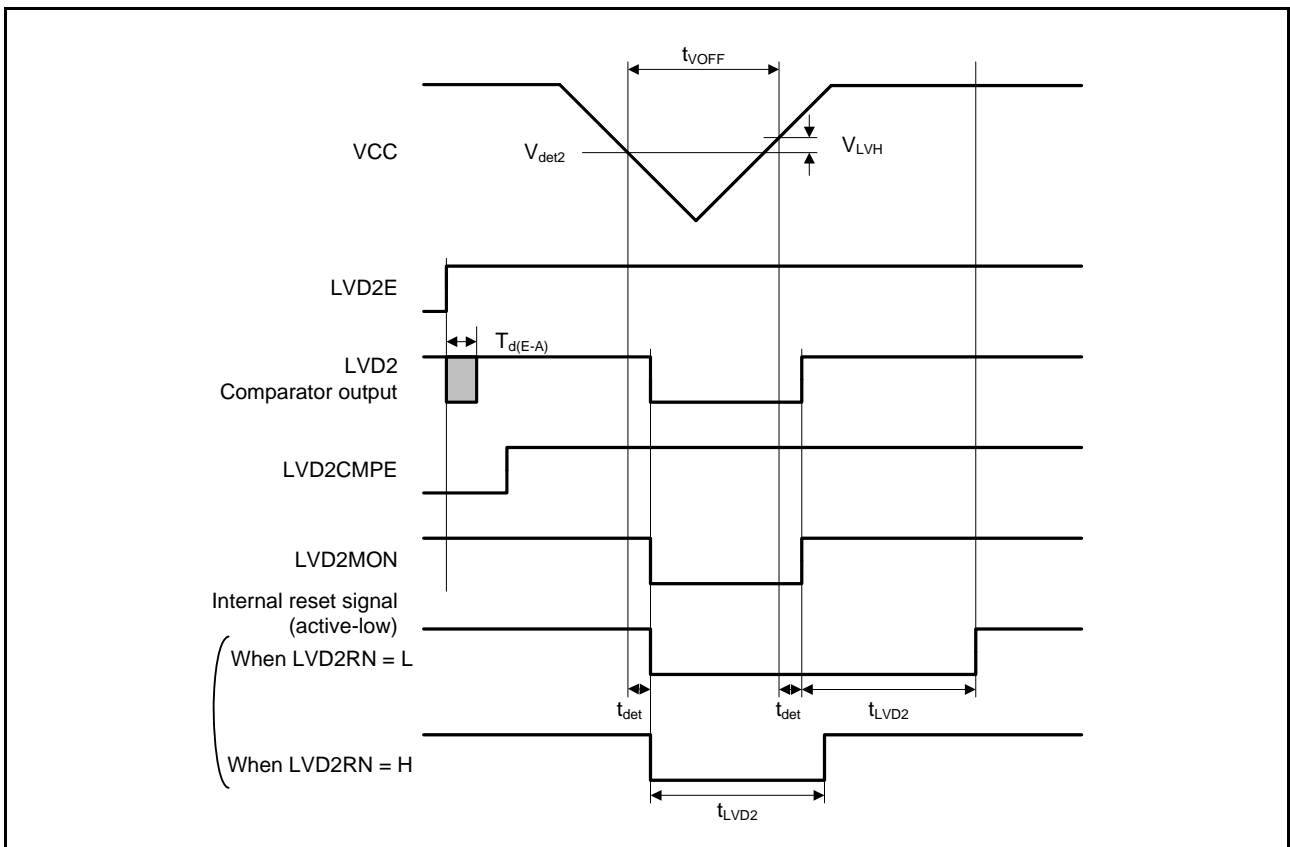


Figure 42.107 Voltage Detection Circuit Timing (V_{det2})

42.9 Oscillation Stop Detection Timing

Table 42.73 Oscillation Stop Detection Circuit Characteristics

Conditions: VCC = AVCC0 = 1.62 to 5.5 V, VSS = AVSS0 = VREFL = VREFL0 = 0 V, Ta = -40 to +105°C

Item	Symbol	Min.	Typ.	Max.	Unit	Test Conditions
Detection time	t _{dr}	—	—	1	ms	Figure 42.108

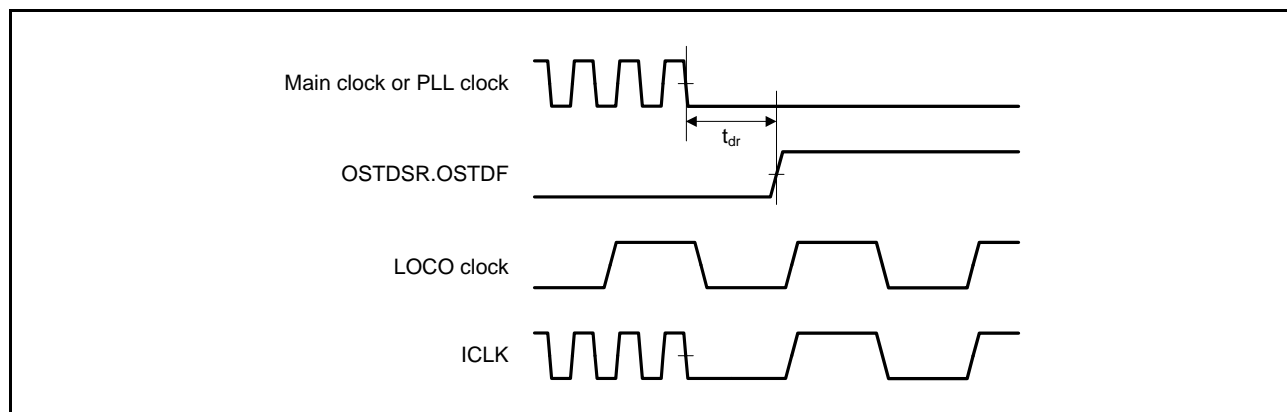


Figure 42.108 Oscillation Stop Detection Timing

42.10 ROM (Flash Memory for Code Storage) Characteristics

[Chip version A]

Table 42.74 ROM (Flash Memory for Code Storage) Characteristics (1)

Item	Symbol	Min.	Typ.	Max.	Unit	Conditions
Reprogramming/erasure cycle*1	N _{PEC}	1000	—	—	Times	
Data hold time	t _{DRP}	10*2	—	—	Year	

Note 1. Definition of reprogram/erase cycle: The reprogram/erase cycle is the number of erasing for each block. When the reprogram/erase cycle is n times (n = 1000), erasing can be performed n times for each block. For instance, when 128-byte programming is performed 16 times for different addresses in 2-Kbyte block and then the entire block is erased, the reprogram/erase cycle is counted as one. However, programming the same address for several times as one erasing is not enabled (overwriting is prohibited).

Note 2. This result is obtained from reliability testing.

[Chip versions B and C]

Table 42.75 ROM (Flash Memory for Code Storage) Characteristics (2)

Item	Symbol	Min.	Typ.	Max.	Unit	Conditions
Reprogramming/erasure cycle*1	N _{PEC}	10000	—	—	Times	
Data hold time	After 1000 times of N _{PEC}	t _{DRP}	30*2	—	Year	Ta = +85°C
	After 10000 times of N _{PEC}		1*2	—	Year	

Note 1. Definition of reprogram/erase cycle: The reprogram/erase cycle is the number of erasing for each block. When the reprogram/erase cycle is n times (n = 1000), erasing can be performed n times for each block. For instance, when 128-byte programming is performed 16 times for different addresses in 2-Kbyte block and then the entire block is erased, the reprogram/erase cycle is counted as one. However, programming the same address for several times as one erasing is not enabled (overwriting is prohibited).

Note 2. This result is obtained from reliability testing.

[Chip versions A and C]

**Table 42.76 ROM (Flash Memory for Code Storage) Characteristics (3)
: high-speed operating mode, middle-speed operating mode 1A**Conditions: $V_{CC} = AV_{CC0} = 2.7$ to 5.5 V, $V_{REFH} = V_{REFH0} = AV_{CC0}$, $V_{SS} = AV_{SS0} = V_{REFL} = V_{REFL0} = 0$ V
Temperature range for the programming/erasure operation: $T_a = -40$ to $+105^\circ\text{C}$

Item		Symbol	FCLK = 4 MHz			FCLK = 32 MHz			Unit
			Min.	Typ.	Max.	Min.	Typ.	Max.	
Programming time when $N_{PEC} \leq 100$ times	2 bytes	t_{P2}	—	0.52	4.8	—	0.19	2.5	ms
	8 bytes	t_{P8}	—	0.52	4.9	—	0.19	2.5	
	128 bytes	t_{P128}	—	1.50	10.7	—	0.57	4.8	
Programming time when $N_{PEC} > 100$ times	2 bytes	t_{P2}	—	0.61	5.7	—	0.23	3.0	ms
	8 bytes	t_{P8}	—	0.61	6.2	—	0.23	3.2	
	128 bytes	t_{P128}	—	1.71	13.2	—	0.65	6.0	
Erasure time when $N_{PEC} \leq 100$ times	2 Kbytes	t_{E2K}	—	17.0	92.9	—	11.0	29	ms
Erasure time when $N_{PEC} > 100$ times	2 Kbytes	t_{E2K}	—	20.8	195.8	—	13.5	60	ms
Suspend delay time during programming (in programming/erasure priority mode)		t_{SPD}	—	—	0.9	—	—	0.8	ms
First suspend delay time during programming (in suspend priority mode)		t_{SPSD1}	—	—	220	—	—	120	μs
Second suspend delay time during programming (in suspend priority mode)		t_{SPSD2}	—	—	0.9	—	—	0.8	ms
Suspend delay time during erasing (in programming/erasure priority mode)		t_{SED}	—	—	0.9	—	—	0.8	ms
First suspend delay time during erasing (in suspend priority mode)		t_{SESD1}	—	—	220	—	—	120	μs
Second suspend delay time during erasing (in suspend priority mode)		t_{SESD2}	—	—	0.9	—	—	0.8	ms
FCU reset time		t_{FCUR}	20 μs or longer and FCLK \times 6 or greater	—	—	20 μs or longer and FCLK \times 6 or greater	—	—	μs

[Chip versions A and C]

**Table 42.77 ROM (Flash Memory for Code Storage) Characteristics (4)
: middle-speed operating mode 1B**

Conditions: $V_{CC} = AV_{CC0} = 1.62$ to 3.6 V, $V_{REFH} = V_{REFH0} = AV_{CC0}$, $V_{SS} = AV_{SS0} = V_{REFL} = V_{REFL0} = 0$ V
 Temperature range for the programming/erasure operation: $T_a = -40$ to $+105^\circ\text{C}$

Item		Symbol	FCLK = 4 MHz			FCLK = 32 MHz*1			Unit
			Min.	Typ.	Max.	Min.	Typ.	Max.	
Programming time when $N_{PEC} \leq 100$ times	2 bytes	t_{P2}	—	0.69	6.0	—	0.30	3.5	ms
	8 bytes	t_{P8}	—	0.69	6.0	—	0.30	3.5	
	128 bytes	t_{P128}	—	1.76	14.2	—	0.85	8.3	
Programming time when $N_{PEC} > 100$ times	2 bytes	t_{P2}	—	0.81	7.1	—	0.35	4.2	ms
	8 bytes	t_{P8}	—	0.81	7.6	—	0.35	4.5	
	128 bytes	t_{P128}	—	1.99	17.5	—	0.96	10	
Erasure time when $N_{PEC} \leq 100$ times	2 Kbytes	t_{E2K}	—	24.5	113.7	—	19.0	46	ms
Erasure time when $N_{PEC} > 100$ times	2 Kbytes	t_{E2K}	—	29.8	225.8	—	23.2	90 (1000 times \geq $N_{PEC} > 100$ times), 98 (10000 times \geq $N_{PEC} > 1000$ times)	ms
Suspend delay time during programming (in programming/erasure priority mode)		t_{SPD}	—	—	1.7	—	—	1.6	ms
First suspend delay time during programming (in suspend priority mode)		t_{SPSD1}	—	—	220	—	—	120	μs
Second suspend delay time during programming (in suspend priority mode)		t_{SPSD2}	—	—	1.7	—	—	1.6	ms
Suspend delay time during erasing (in programming/erasure priority mode)		t_{SED}	—	—	1.7	—	—	1.6	ms
First suspend delay time during erasing (in suspend priority mode)		t_{SESD1}	—	—	220	—	—	120	μs
Second suspend delay time during erasing (in suspend priority mode)		t_{SESD2}	—	—	1.7	—	—	1.6	ms
FCU reset time		t_{FCUR}	20 μs or longer and FCLK \times 6 or greater	—	—	20 μs or longer and FCLK \times 6 or greater	—	—	μs

Note 1. The operating frequency is 20 MHz (max.) when the voltage is in the range from 1.62 V to less than 1.8 V.

[Chip version B]

**Table 42.78 ROM (Flash Memory for Code Storage) Characteristics (5)
: middle-speed operating modes 1A and 2A**

Conditions: $V_{CC} = AV_{CC0} = 2.7$ to 5.5 V, $V_{REFH} = V_{REFH0} = AV_{CC0}$, $V_{SS} = AV_{SS0} = V_{REFL} = V_{REFL0} = 0$ V
 Temperature range for the programming/erasure operation: $T_a = -40$ to $+105^\circ\text{C}$

Item		Symbol	FCLK = 4 MHz			FCLK = 32 MHz			Unit
			Min.	Typ.	Max.	Min.	Typ.	Max.	
Programming time when $N_{PEC} \leq 100$ times	2 bytes	t_{P2}	—	0.19	4.3	—	0.12	2.0	ms
	8 bytes	t_{P8}	—	0.19	4.4	—	0.12	2.0	
	128 bytes	t_{P128}	—	0.67	10.7	—	0.41	4.8	
Programming time when $N_{PEC} > 100$ times	2 bytes	t_{P2}	—	0.23	5.3	—	0.15	2.5	ms
	8 bytes	t_{P8}	—	0.23	5.4	—	0.15	2.5	
	128 bytes	t_{P128}	—	0.80	13.2	—	0.48	6.0	
Erasure time when $N_{PEC} \leq 100$ times	2 Kbytes	t_{E2K}	—	13.0	92.9	—	10.5	29	ms
Erasure time when $N_{PEC} > 100$ times	2 Kbytes	t_{E2K}	—	15.9	176.9	—	12.8	60	ms
Suspend delay time during programming (in programming/erasure priority mode)		t_{SPD}	—	—	0.9	—	—	0.8	ms
First suspend delay time during programming (in suspend priority mode)		t_{SPSD1}	—	—	220	—	—	120	μs
Second suspend delay time during programming (in suspend priority mode)		t_{SPSD2}	—	—	0.9	—	—	0.8	ms
Suspend delay time during erasing (in programming/erasure priority mode)		t_{SED}	—	—	0.9	—	—	0.8	ms
First suspend delay time during erasing (in suspend priority mode)		t_{SESD1}	—	—	220	—	—	120	μs
Second suspend delay time during erasing (in suspend priority mode)		t_{SESD2}	—	—	0.9	—	—	0.8	ms
FCU reset time		t_{FCUR}	20 μs or longer and FCLK \times 6 or greater	—	—	20 μs or longer and FCLK \times 6 or greater	—	—	μs

[Chip version B]

**Table 42.79 ROM (Flash Memory for Code Storage) Characteristics (6)
: middle-speed operating modes 1B and 2B**

Conditions: $V_{CC} = AV_{CC0} = 1.62$ to 3.6 V, $V_{REFH} = V_{REFH0} = AV_{CC0}$, $V_{SS} = AV_{SS0} = V_{REFL} = V_{REFL0} = 0$ V
 Temperature range for the programming/erasure operation: $T_a = -40$ to $+105^\circ\text{C}$

Item		Symbol	FCLK = 4 MHz			FCLK = 32 MHz*1			Unit
			Min.	Typ.	Max.	Min.	Typ.	Max.	
Programming time when $N_{PEC} \leq 100$ times	2 bytes	t_{P2}	—	0.25	5.0	—	0.21	2.8	ms
	8 bytes	t_{P8}	—	0.25	5.3	—	0.21	3.0	
	128 bytes	t_{P128}	—	0.92	14.0	—	0.65	8.3	
Programming time when $N_{PEC} > 100$ times	2 bytes	t_{P2}	—	0.31	6.2	—	0.26	3.5	ms
	8 bytes	t_{P8}	—	0.31	6.6	—	0.26	3.7	
	128 bytes	t_{P128}	—	1.09	17.5	—	0.77	10.0	
Erasure time when $N_{PEC} \leq 100$ times	2 Kbytes	t_{E2K}	—	21.0	113.7	—	18.5	46	ms
Erasure time when $N_{PEC} > 100$ times	2 Kbytes	t_{E2K}	—	25.6	220.6	—	22.5	90 (1000 times \geq $N_{PEC} > 100$ times), 98 (10000 times \geq $N_{PEC} > 1000$ times)	ms
Suspend delay time during programming (in programming/erasure priority mode)		t_{SPD}	—	—	1.7	—	—	1.6	ms
First suspend delay time during programming (in suspend priority mode)		t_{SPSD1}	—	—	220	—	—	120	μs
Second suspend delay time during programming (in suspend priority mode)		t_{SPSD2}	—	—	1.7	—	—	1.6	ms
Suspend delay time during erasing (in programming/erasure priority mode)		t_{SED}	—	—	1.7	—	—	1.6	ms
First suspend delay time during erasing (in suspend priority mode)		t_{SESD1}	—	—	220	—	—	120	μs
Second suspend delay time during erasing (in suspend priority mode)		t_{SESD2}	—	—	1.7	—	—	1.6	ms
FCU reset time		t_{FCUR}	20 μs or longer and FCLK \times 6 or greater	—	—	20 μs or longer and FCLK \times 6 or greater	—	—	μs

Note 1. The operating frequency is 20 MHz (max.) when the voltage is in the range from 1.62 V to less than 1.8 V.

42.11 E2 DataFlash Characteristics

[Chip version A]

Table 42.80 E2 DataFlash Characteristics (1)

Item	Symbol	Min.	Typ.	Max.	Unit	Conditions
Reprogramming/erasure cycle*1	N_{DPEC}	100000	—	—	Times	
Data hold time	t_{DRP}	10^{*2}	—	—	Year	

Note 1. The reprogram/erase cycle is the number of erasing for each block. When the reprogram/erase cycle is n times ($n = 100000$), erasing can be performed n times for each block. For instance, when 8-byte programming is performed 16 times for different addresses in 128-byte block and then the entire block is erased, the reprogram/erase cycle is counted as one. However, programming the same address for several times as one erasing is not enabled (overwriting is prohibited).

Note 2. This result is obtained from reliability testing.

[Chip versions B and C]

Table 42.81 E2 DataFlash Characteristics (2)

Item	Symbol	Min.	Typ.	Max.	Unit	Conditions
Reprogramming/erasure cycle*1	N_{DPEC}	100000	—	—	Times	
Data hold time	After 100000 times of N_{DPEC} t_{DRP}	30^{*2}	—	—	Year	$T_a = +85^{\circ}\text{C}$

Note 1. The reprogram/erase cycle is the number of erasing for each block. When the reprogram/erase cycle is n times ($n = 100000$), erasing can be performed n times for each block. For instance, when 8-byte programming is performed 16 times for different addresses in 128-byte block and then the entire block is erased, the reprogram/erase cycle is counted as one. However, programming the same address for several times as one erasing is not enabled (overwriting is prohibited).

Note 2. This result is obtained from reliability testing.

[Chip versions A and C]

**Table 42.82 E2 DataFlash Characteristics (3)
: high-speed operating mode, middle-speed operating mode 1A**Conditions: VCC = AVCC0 = 2.7 to 5.5 V, VREFH = VREFH0 = AVCC0, VSS = AVSS0 = VREFL = VREFL0 = 0 V
Temperature range for the programming/erasure operation: T_a = -40 to +105°C

Item		Symbol	FCLK = 4 MHz			FCLK = 32 MHz			Unit
			Min.	Typ.	Max.	Min.	Typ.	Max.	
Programming time when N _{DPEC} ≤ 100 times	2 bytes	t _{DP2}	—	0.40	4.4	—	0.16	2.0	ms
	8 bytes	t _{DP8}	—	0.45	5.1	—	0.17	2.2	
Programming time when N _{DPEC} > 100 times	2 bytes	t _{DP2}	—	0.62	6.4	—	0.25	3.0	ms
	8 bytes	t _{DP8}	—	0.69	7.5	—	0.26	3.2	
Erasure time when N _{DPEC} ≤ 100 times	128 bytes	t _{DE128}	—	5.6	27.1	—	2.8	8	ms
Erasure time when N _{DPEC} > 100 times	128 bytes	t _{DE128}	—	6.8	45.1	—	3.4	12	ms
Blank check time	2 bytes	t _{DBC2}	—	—	98	—	—	35	μs
	2 Kbytes	t _{DBC2K}	—	—	16	—	—	2.5	ms
Suspend delay time during programming (in programming/erasure priority mode)		t _{DSPD}	—	—	0.9	—	—	0.8	ms
First suspend delay time during programming (in suspend priority mode)		t _{DSPSD1}	—	—	220	—	—	120	μs
Second suspend delay time during programming (in suspend priority mode)		t _{DSPSD2}	—	—	0.9	—	—	0.8	ms
Suspend delay time during erasing (in programming/erasure priority mode)		t _{DSED}	—	—	0.9	—	—	0.8	ms
First suspend delay time during erasing (in suspend priority mode)		t _{DSESD1}	—	—	220	—	—	120	μs
Second suspend delay time during erasing (in suspend priority mode)		t _{DSESD2}	—	—	0.9	—	—	0.8	ms

[Chip versions A and C]

**Table 42.83 E2 DataFlash Characteristics (4)
: middle-speed operating mode 1B**

Conditions: VCC = AVCC0 = 1.62 to 3.6 V, VREFH = VREFH0 = AVCC0, VSS = AVSS0 = VREFL = VREFL0 = 0 V
 Temperature range for the programming/erasure operation: T_a = -40 to +105°C

Item		Symbol	FCLK = 4 MHz			FCLK = 32 MHz*1			Unit
			Min.	Typ.	Max.	Min.	Typ.	Max.	
Programming time when N _{DPEC} ≤ 100 times	2 bytes	t _{DP2}	—	0.52	5.1	—	0.24	2.8	ms
	8 bytes	t _{DP8}	—	0.57	6.0	—	0.26	3.2	
Programming time when N _{DPEC} > 100 times	2 bytes	t _{DP2}	—	0.77	7.6	—	0.36	4.2	ms
	8 bytes	t _{DP8}	—	0.84	8.8	—	0.38	4.5	
Erasure time when N _{DPEC} ≤ 100 times	128 bytes	t _{DE128}	—	6.8	32.5	—	4.4	12	ms
Erasure time when N _{DPEC} > 100 times	128 bytes	t _{DE128}	—	8.2	51.4	—	5.3	17	ms
Blank check time	2 bytes	t _{DBC2}	—	—	110	—	—	40	μs
	2 Kbytes	t _{DBC2K}	—	—	16.3	—	—	2.6	ms
Suspend delay time during programming (in programming/erasure priority mode)		t _{DSPD}	—	—	1.7	—	—	1.6	ms
First suspend delay time during programming (in suspend priority mode)		t _{DSPSD1}	—	—	220	—	—	120	μs
Second suspend delay time during programming (in suspend priority mode)		t _{DSPSD2}	—	—	1.7	—	—	1.6	ms
Suspend delay time during erasing (in programming/erasure priority mode)		t _{DSED}	—	—	1.7	—	—	1.6	ms
First suspend delay time during erasing (in suspend priority mode)		t _{DSESD1}	—	—	220	—	—	120	μs
Second suspend delay time during erasing (in suspend priority mode)		t _{DSESD2}	—	—	1.7	—	—	1.6	ms

Note 1. The operating frequency is 20 MHz (max.) when the voltage is in the range from 1.62 V to less than 1.8 V.

[Chip version B]

**Table 42.84 E2 DataFlash Characteristics (5)
: high-speed operating mode, middle-speed operating modes 1A and 2A**

Conditions: $V_{CC} = AV_{CC0} = 2.7$ to 5.5 V, $V_{REFH} = V_{REFH0} = AV_{CC0}$, $V_{SS} = AV_{SS0} = V_{REFL} = V_{REFL0} = 0$ V
 Temperature range for the programming/erasure operation: $T_a = -40$ to $+105^\circ\text{C}$

Item		Symbol	FCLK = 4 MHz			FCLK = 32 MHz			Unit
			Min.	Typ.	Max.	Min.	Typ.	Max.	
Programming time when $N_{DPEC} \leq 100$ times	2 bytes	t_{DP2}	—	0.19	4.4	—	0.13	2.0	ms
	8 bytes	t_{DP8}	—	0.24	5.1	—	0.13	2.2	
Programming time when $N_{DPEC} > 100$ times	2 bytes	t_{DP2}	—	0.25	6.4	—	0.17	3.0	ms
	8 bytes	t_{DP8}	—	0.32	7.5	—	0.18	3.2	
Erasure time when $N_{DPEC} \leq 100$ times	128 bytes	t_{DE128}	—	3.3	27.1	—	2.5	8	ms
Erasure time when $N_{DPEC} > 100$ times	128 bytes	t_{DE128}	—	4.0	45.1	—	3.0	12	ms
Blank check time	2 bytes	t_{DBC2}	—	—	98	—	—	35	μs
	2 Kbytes	t_{DBC2K}	—	—	16	—	—	2.5	ms
Suspend delay time during programming (in programming/erasure priority mode)		t_{DSPD}	—	—	0.9	—	—	0.8	ms
First suspend delay time during programming (in suspend priority mode)		t_{DSPSD1}	—	—	220	—	—	120	μs
Second suspend delay time during programming (in suspend priority mode)		t_{DSPSD2}	—	—	0.9	—	—	0.8	ms
Suspend delay time during erasing (in programming/erasure priority mode)		t_{DSED}	—	—	0.9	—	—	0.8	ms
First suspend delay time during erasing (in suspend priority mode)		t_{DSESD1}	—	—	220	—	—	120	μs
Second suspend delay time during erasing (in suspend priority mode)		t_{DSESD2}	—	—	0.9	—	—	0.8	ms

[Chip version B]

**Table 42.85 E2 DataFlash Characteristics (6)
: middle-speed operating modes 1B and 2B**

Conditions: $V_{CC} = AV_{CC0} = 1.62$ to 3.6 V, $V_{REFH} = V_{REFH0} = AV_{CC0}$, $V_{SS} = AV_{SS0} = V_{REFL} = V_{REFL0} = 0$ V
 Temperature range for the programming/erasure operation: $T_a = -40$ to $+105^{\circ}\text{C}$

Item	Symbol	FCLK = 4 MHz			FCLK = 32 MHz*1			Unit	
		Min.	Typ.	Max.	Min.	Typ.	Max.		
Programming time when $N_{DPEC} \leq 100$ times	2 bytes	t_{DP2}	—	0.28	5.1	—	0.20	2.8	ms
	8 bytes	t_{DP8}	—	0.32	6.0	—	0.22	3.2	
Programming time when $N_{DPEC} > 100$ times	2 bytes	t_{DP2}	—	0.36	7.6	—	0.25	4.2	ms
	8 bytes	t_{DP8}	—	0.40	8.8	—	0.28	4.5	
Erase time when $N_{DPEC} \leq 100$ times	128 bytes	t_{DE128}	—	4.8	32.4	—	4.1	12	ms
Erase time when $N_{DPEC} > 100$ times	128 bytes	t_{DE128}	—	5.8	51.4	—	4.9	17	ms
Blank check time	2 bytes	t_{DBC2}	—	—	110	—	—	40	μs
	2 Kbytes	t_{DBC2K}	—	—	16.3	—	—	2.6	ms
Suspend delay time during programming (in programming/erasure priority mode)		t_{DSPD}	—	—	1.7	—	—	1.6	ms
First suspend delay time during programming (in suspend priority mode)		t_{DSPSD1}	—	—	220	—	—	120	μs
Second suspend delay time during programming (in suspend priority mode)		t_{DSPSD2}	—	—	1.7	—	—	1.6	ms
Suspend delay time during erasing (in programming/erasure priority mode)		t_{DSED}	—	—	1.7	—	—	1.6	ms
First suspend delay time during erasing (in suspend priority mode)		t_{DSESD1}	—	—	220	—	—	120	μs
Second suspend delay time during erasing (in suspend priority mode)		t_{DSESD2}	—	—	1.7	—	—	1.6	ms

Note 1. The operating frequency is 20 MHz (max.) when the voltage is in the range from 1.62 V to less than 1.8 V.

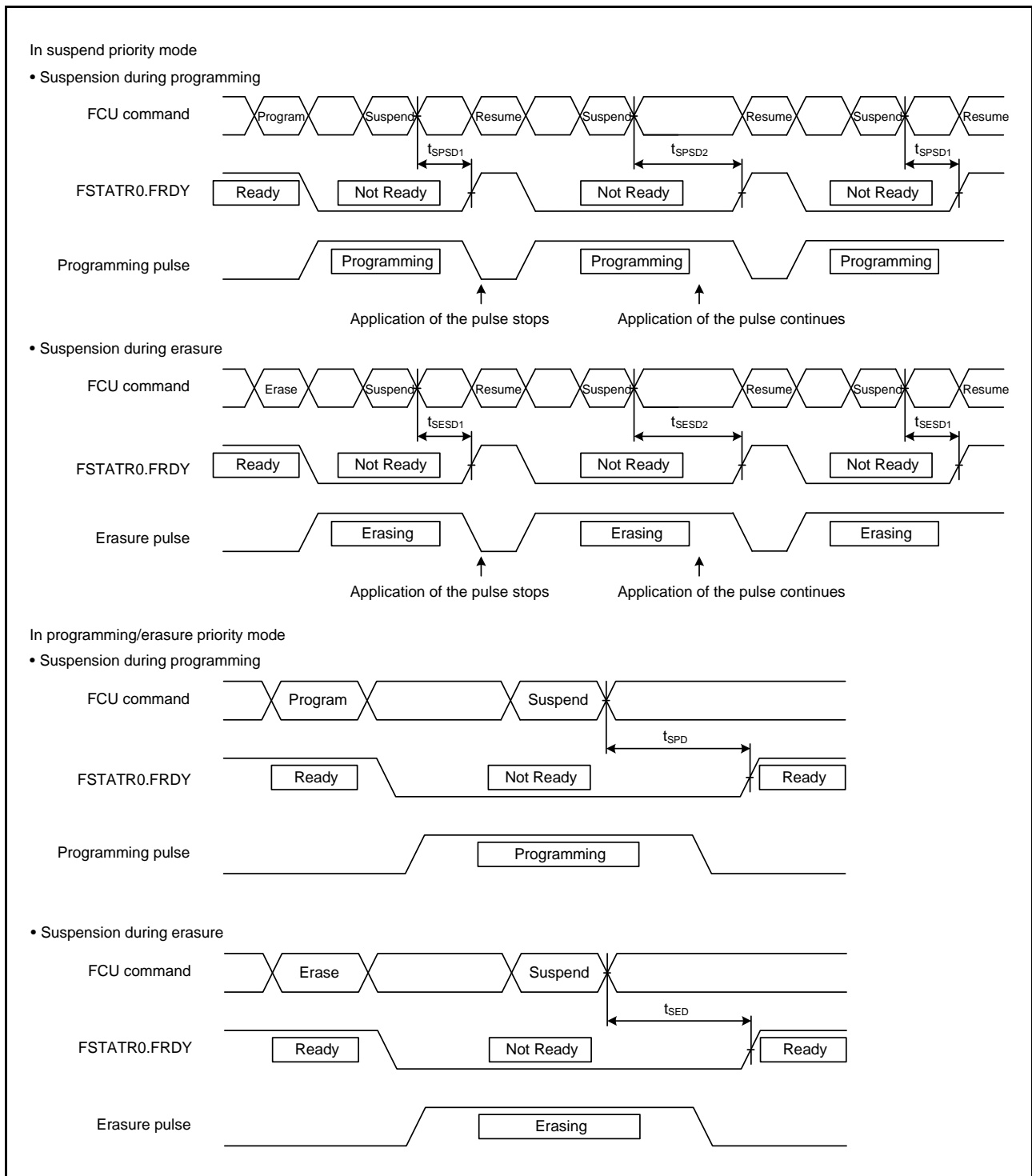


Figure 42.109 Flash Memory Program/Erase Suspend Timing

Appendix 1. Port States in Each Processing Mode

Table 1.1 Port States in Each Processing State (1 / 4)

Port Name Pin Name	Operating Mode According to Registers Setting		Reset	Software Standby Mode		Deep Software Standby Mode IOKEEP = 1/0	After Deep Software Standby Mode is Canceled (Return of Start- up Mode)	
				OPE = 1	OPE = 0		IOKEEP = 1*1	IOKEEP = 0
P00 to P02	All		Hi-Z	Keep-O		Keep	Keep	Hi-Z
P03 (DA0)	All	DA0 output [DAOE0 = 1]	Hi-Z	DA output retained		Hi-Z	Hi-Z	Hi-Z
		Other than the above [DAOE0 = 0]	Hi-Z	Keep-O		Keep	Keep	Hi-Z
P05 (DA1)	All	DA1 output [DAOE1 = 1]	Hi-Z	DA output retained		Hi-Z	Hi-Z	Hi-Z
		Other than the above [DAOE1 = 0]	Hi-Z	Keep-O		Keep	Keep	Hi-Z
P07	All		Hi-Z	Keep-O		Keep	Keep	Hi-Z
P12 to P15 (IRQ2 to IRQ5)	All		Hi-Z	Keep-O*2		Keep	Keep	Hi-Z
P16, P17 (IRQ6/SCL-DS, IRQ7/SDA-DS)	All		Hi-Z	Keep-O*2		Keep-O*3	Keep	Hi-Z
P20 to P23	All		Hi-Z	Keep-O		Keep	Keep	Hi-Z
P24 to P27 (CS0#, CS1#, CS2#, CS3#)	Single-chip mode (EXBE = 0)		Hi-Z	Keep-O		Keep	Keep	Hi-Z
		On-chip ROM enabled/ disabled extended mode (EXBE = 1)		[CS output] H [Other than the above] Keep-O	[CS output] Hi-Z [Other than the above] Keep-O			
P30 to P33 (IRQ0-DS, IRQ1- DS, IRQ2-DS, IRQ3-DS)	All		Hi-Z	Keep-O*2		Keep-O*3	Keep	Hi-Z
P34 (IRQ4)	All		Hi-Z	Keep-O*2		Keep	Keep	Hi-Z
P35 (NMI)	All		Hi-Z	Keep-O*2		Keep-O*3	Keep	Hi-Z
P36, P37	All		Hi-Z	Keep-O		Keep	Keep	Hi-Z
P40 to P47	All		Hi-Z	Keep-O		Keep	Keep	Hi-Z
P50 (WR0#/WR#)	Single-chip mode (EXBE = 0)		Hi-Z	Keep-O		Keep	Keep	Hi-Z
		On-chip ROM enabled/ disabled extended mode (EXBE = 1)		[WR0#/WR# output] H	[WR0#/WR# output] Hi-Z			
P51 (WR1#/BC1#)	Single-chip mode (EXBE = 0)		Hi-Z	Keep-O		Keep	Keep	Hi-Z
		On-chip ROM enabled/ disabled extended mode (EXBE = 1)		[WR1#/BC1# output] H [Other than the above] Keep-O	[WR1#/BC1# output] Hi-Z [Other than the above] Keep-O			
P52 (RD#)	Single-chip mode (EXBE = 0)		Hi-Z	Keep-O		Keep	Keep	Hi-Z
		On-chip ROM enabled/ disabled extended mode (EXBE = 1)		[RD# output] H	[RD# output] Hi-Z			
P53 (BCLK)	All		Hi-Z	[Clock output] H [Other than the above] Keep-O		Keep	Keep	Hi-Z

Table 1.1 Port States in Each Processing State (2 / 4)

Port Name Pin Name	Operating Mode According to Registers Setting	Reset	Software Standby Mode		Deep Software Standby Mode IOKEEP = 1/0	After Deep Software Standby Mode is Canceled (Return of Start- up Mode)	
			OPE = 1	OPE = 0		IOKEEP = 1*1	IOKEEP = 0
P54/ALE	Single-chip mode (EXBE = 0)	Hi-Z	Keep-O		Keep	Keep	Hi-Z
	On-chip ROM enabled/ disabled extended (EXBE = 1)		[ALE output] L [Other than the above] Keep-O	[ALE output] Hi-Z [Other than the above] Keep-O			
P55, P56	All	Hi-Z	Keep-O		Keep	Keep	Hi-Z
P60 to P67	All	Hi-Z	Keep-O		Keep	Keep	Hi-Z
P70 to P77	All	Hi-Z	Keep-O		Keep	Keep	Hi-Z
P80 to P83, P86, P87	All	Hi-Z	Keep-O		Keep	Keep	Hi-Z
P90 to P93	All	Hi-Z	Keep-O		Keep	Keep	Hi-Z
PA0 (A0/BC0#)	Single-chip mode (EXBE = 0)	Hi-Z	Keep-O		Keep	Keep	Hi-Z
	On-chip ROM enabled/ disabled extended mode (EXBE = 1)		[Address output] Address output retained [BC0# output] H [Other than the above] Keep-O	[Address output] Hi-Z [BC0# output] Hi-Z [Other than the above] Keep-O			
PA1, PA2 (A1, A2)	Single-chip mode (EXBE = 0)	Hi-Z	Keep-O		Keep	Keep	Hi-Z
	On-chip ROM enabled/ disabled extended mode (EXBE = 1)		[Address output] Address output retained [Other than the above] Keep-O	[Address output] Hi-Z [Other than the above] Keep-O			
PA3, PA4 (IRQ6-DS/A3, IRQ5-DS/A4)	Single-chip mode (EXBE = 0)	Hi-Z	Keep-O*2		Keep-O*3	Keep	Hi-Z
	On-chip ROM enabled/ disabled extended (EXBE = 1)		[Address output] Address output retained [Other than the above] Keep-O	[Address output] Hi-Z [Other than the above] Keep-O			
PA5 to PA7 (A5 to A7)	Single-chip mode (EXBE = 0)	Hi-Z	Keep-O		Keep	Keep	Hi-Z
	On-chip ROM enabled/ disabled extended mode (EXBE = 1)		[Address output] Address output retained [Other than the above] Keep-O	[Address output] Hi-Z [Other than the above] Keep-O			
PB0 (A8)	Single-chip mode (EXBE = 0)	Hi-Z	Keep-O		Keep	Keep	Hi-Z
	On-chip ROM enabled/ disabled extended mode (EXBE = 1)		[Address output] Address output retained [Other than the above] Keep-O	[Address output] Hi-Z [Other than the above] Keep-O			
PB1 (IRQ4-DS/A9)	Single-chip mode (EXBE = 0)	Hi-Z	Keep-O*2		Keep-O*3	Keep	Hi-Z
	On-chip ROM enabled/ disabled extended mode (EXBE = 1)		[Address output] Address output retained [Other than the above] Keep-O	[Address output] Hi-Z [Other than the above] Keep-O			

Table 1.1 Port States in Each Processing State (3 / 4)

Port Name Pin Name	Operating Mode According to Registers Setting	Reset	Software Standby Mode		Deep Software Standby Mode IOKEEP = 1/0	After Deep Software Standby Mode is Canceled (Return of Start- up Mode)	
			OPE = 1	OPE = 0		IOKEEP = 1*1	IOKEEP = 0
PB2 to PB7 (A10 to A15)	Single-chip mode (EXBE = 0)	Hi-Z		Keep-O	Keep	Keep	Hi-Z
	On-chip ROM enabled/ disabled extended mode (EXBE = 1)		[Address output] Address output retained [Other than the above] Keep-O	[Address output] Hi-Z [Other than the above] Keep-O			
PC0 to PC3 (A16 to A19)	Single-chip mode (EXBE = 0)	Hi-Z		Keep-O	Keep	Keep	Hi-Z
	On-chip ROM enabled/ disabled extended mode (EXBE = 1)		[Address output] Address output retained [Other than the above] Keep-O	[Address output] Hi-Z [Other than the above] Keep-O			
PC4 to PC7 (A20/CS3# to A23/ CS0#)	Single-chip mode (EXBE = 0)	Hi-Z		Keep-O	Keep	Keep	Hi-Z
	On-chip ROM enabled/ disabled extended mode (EXBE = 1)		[Address output] Address output retained [CS output] H [Other than the above] Keep-O	[Address output] Hi-Z [CS output] Hi-Z [Other than the above] Keep-O			
PD0 to PD7 (D0/IRQ0 to D7/ IRQ7)	Single-chip mode (EXBE = 0)	Hi-Z		Keep-O*2	Keep	Keep	Hi-Z
	On-chip ROM enabled/ disabled extended mode (EXBE = 1)			Hi-Z			
PE0, PE1 (D8, D9)	Single-chip mode (EXBE = 0)	Hi-Z		Keep-O	Keep	Keep	Hi-Z
	On-chip ROM 8 bits in width enabled/ disabled extended mode (EXBE = 1) 16 bits in width of bus			Keep-O Hi-Z			
PE2 (D10/IRQ7-DS)	Single-chip mode (EXBE = 0)	Hi-Z		Keep-O*2	Keep-O*3	Keep	Hi-Z
	On-chip ROM 8 bits in width enabled/ disabled extended mode (EXBE = 1) 16 bits in width of bus			Keep-O*2 Hi-Z			
PE3, PE4 (D11, D12)	Single-chip mode (EXBE = 0)	Hi-Z		Keep-O	Keep	Keep	Hi-Z
	On-chip ROM 8 bits in width enabled/ disabled extended mode (EXBE = 1) 16 bits in width of bus			Keep-O Hi-Z			
PE5 to PE7 (D13/IRQ5 to D15/ IRQ7)	Single-chip mode (EXBE = 0)	Hi-Z		Keep-O*2	Keep	Keep	Hi-Z
	On-chip ROM 8 bits in width enabled/ disabled extended (EXBE = 1) 16 bits in width of bus			Keep-O*2 Hi-Z			
PF5 (IRQ4)	All	Hi-Z		Keep-O*2	Keep	Keep	Hi-Z
PH0	All	Hi-Z		Keep-O	Keep	Keep	Hi-Z
PH1, PH2 (IRQ0, IRQ1)	All	Hi-Z		Keep-O*2	Keep	Keep	Hi-Z
PH3	All	Hi-Z		Keep-O	Keep	Keep	Hi-Z
PJ1, PJ3, PJ5	All	Hi-Z		Keep-O	Keep	Keep	Hi-Z
PK2 to PK5	All	Hi-Z		Keep-O	Keep	Keep	Hi-Z

Table 1.1 Port States in Each Processing State (4 / 4)

Port Name Pin Name	Operating Mode According to Registers Setting	Reset	Software Standby Mode		Deep Software Standby Mode	After Deep Software Standby Mode is Canceled (Return of Start- up Mode)	
			OPE = 1	OPE = 0	IOKEEP = 1/0	IOKEEP = 1*1	IOKEEP = 0
PL0, PL1	All	Hi-Z		Keep-O	Keep	Keep	Hi-Z

H: High-level

L: Low-level

Keep-O: Output pins retain their previous values, and input pins become high-impedance.

Keep: Pin states are retained during periods in software standby mode (pulling up and open-drain settings are also retained.)

Hi-Z: High-impedance

Note 1. Retains the I/O port state until the DPSBYCR.IOKEEP bit is cleared to 0.

Note 2. Input is enabled if the pin is specified as the software standby mode canceling source while it is used as an external interrupt pin.

Note 3. Input is enabled if the pin is specified as the software standby mode canceling source.

Appendix 2. Package Dimensions

Information on the latest version of the package dimensions or mountings has been displayed in “Packages” on Renesas Electronics Corporation website.

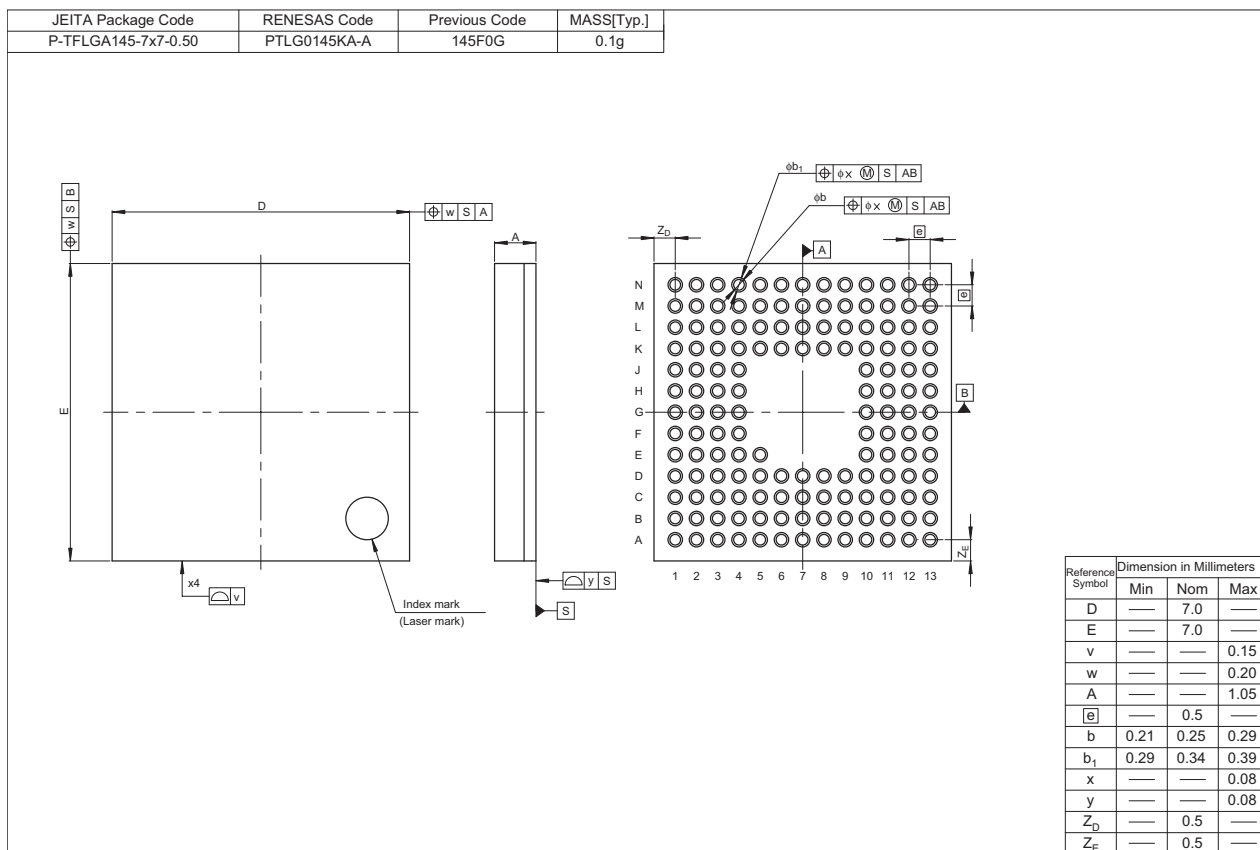


Figure A 145-Pin TFLGA (PTLG0145KA-A)

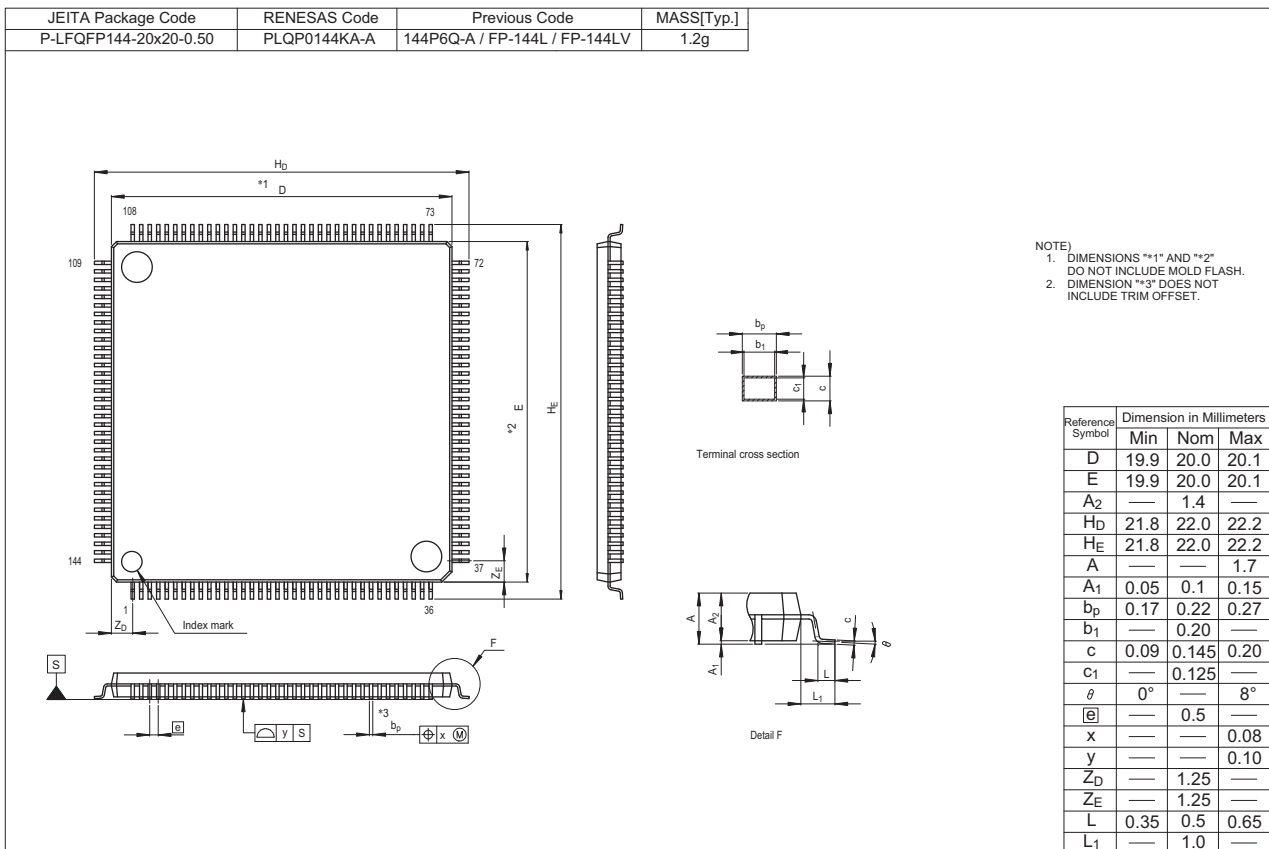


Figure B 144-Pin LQFP (PLQP0144KA-A)

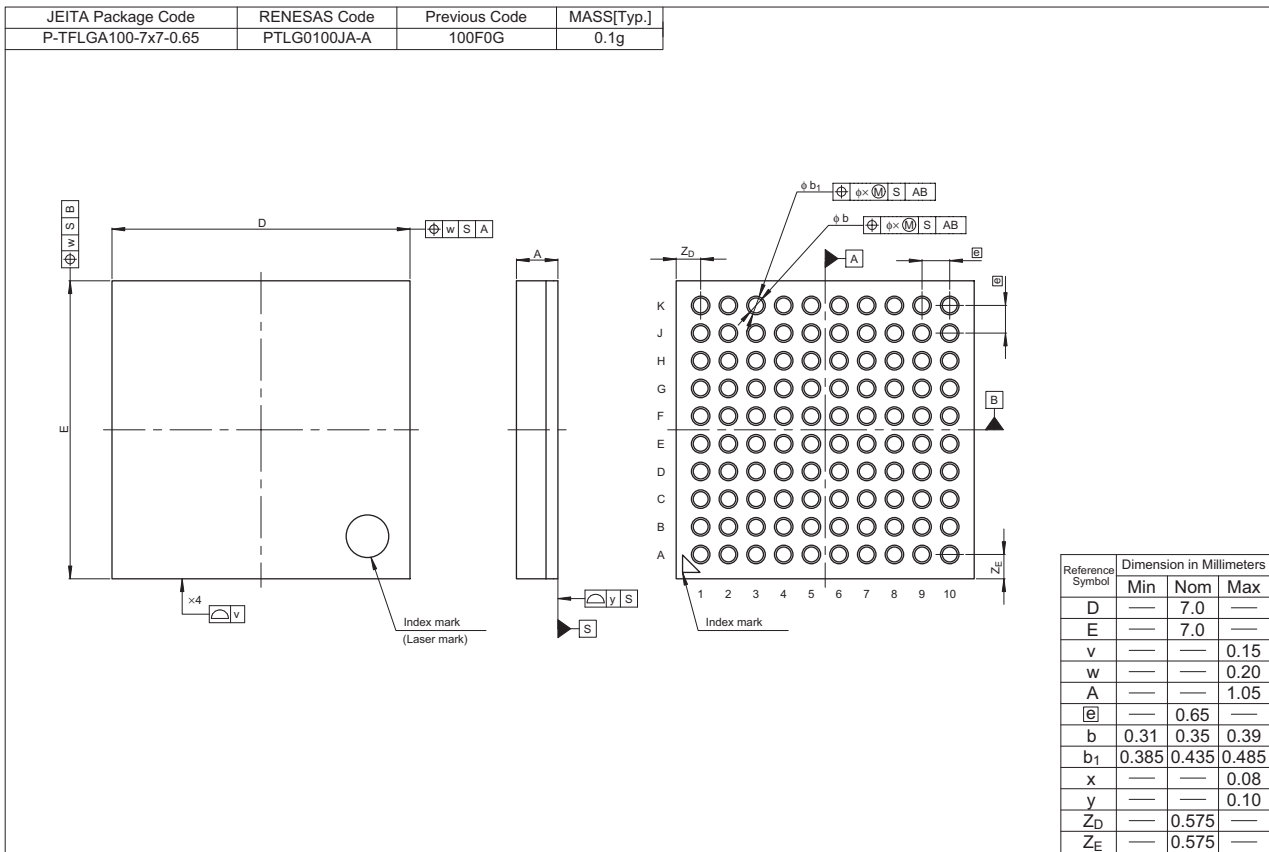


Figure C 100-Pin TFLGA (PTLG0100JA-A)

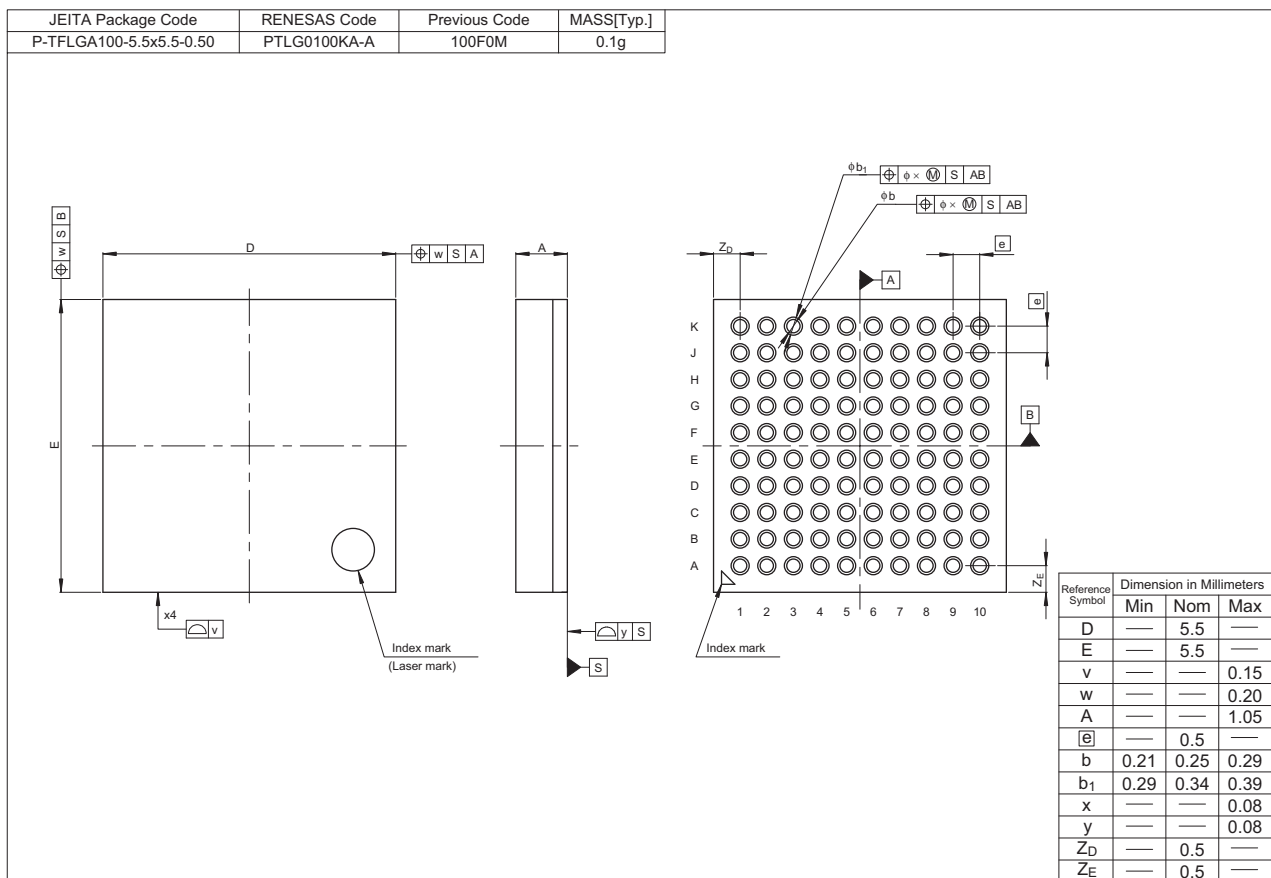
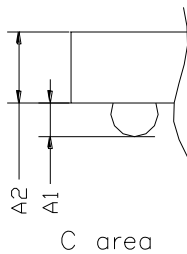
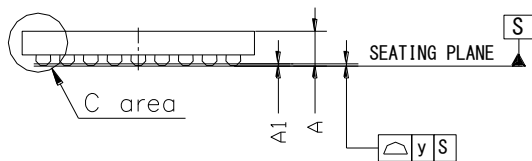
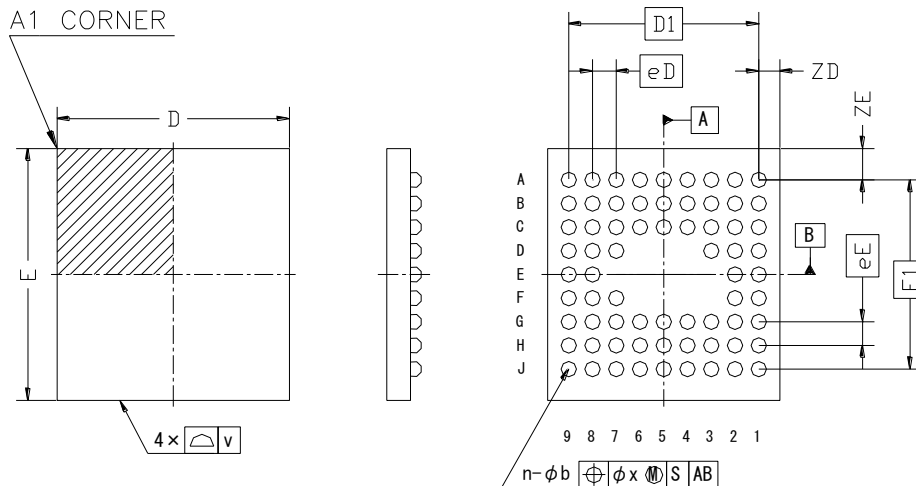


Figure D 100-Pin TFLGA (PTLG0100KA-A)

JEITA Package code	RENESAS Code	Previous Code	MASS(TYP.)[g]
S-WFBGA69-3.91x4.26-0.40	SWBG0069LA-A	—	0.02



Dimensions in millimeters

Term	Reference Symbol	Specification		
		Min	Nom	Max
Package length	D	3.86	3.91	3.96
Package width	E	4.21	4.26	4.31
Overhang dimension in length	ZD	0.305	0.355	0.405
Overhang dimension in width	ZE	0.48	0.53	0.58
Profile height	A	—	—	0.70
Stand-off height	A1	0.15	0.19	0.23
Wafer thickness	A2	0.36	0.40	0.44
	(A3)	—	—	—
Terminal diameter	b	0.22	0.27	0.32
Terminal pitch in length	eD	0.4		(BSC)
Terminal pitch in width	eE	0.4		(BSC)
Center terminal position in D-direction	SD	—		(BSC)
Center terminal position in E-direction	SE	—		(BSC)
Edge ball center to center in D-direction	D1	3.2		(BSC)
Edge ball center to center in E-direction	E1	3.2		(BSC)
Number of terminals	n	69		
Tolerance of package lateral profile	v	0.05		
Positional tolerance of terminals	x	0.05		
Coplanarity	y	0.08		

注記:

1. 端子ピッチは端子中央部の位置で規定する。
2. データムA及びBは、ボールグリッドセンタを称す。

Note:

1. Ball pitch dimension is specified with the center of balls.
2. Datum A and B are axes defined by the ball grid array, not by the PKG outline.

© 2013 Renesas Electronics Corporation. All rights reserved.

Figure E 69-Pin WLBGA (SWBG0069LA-A)

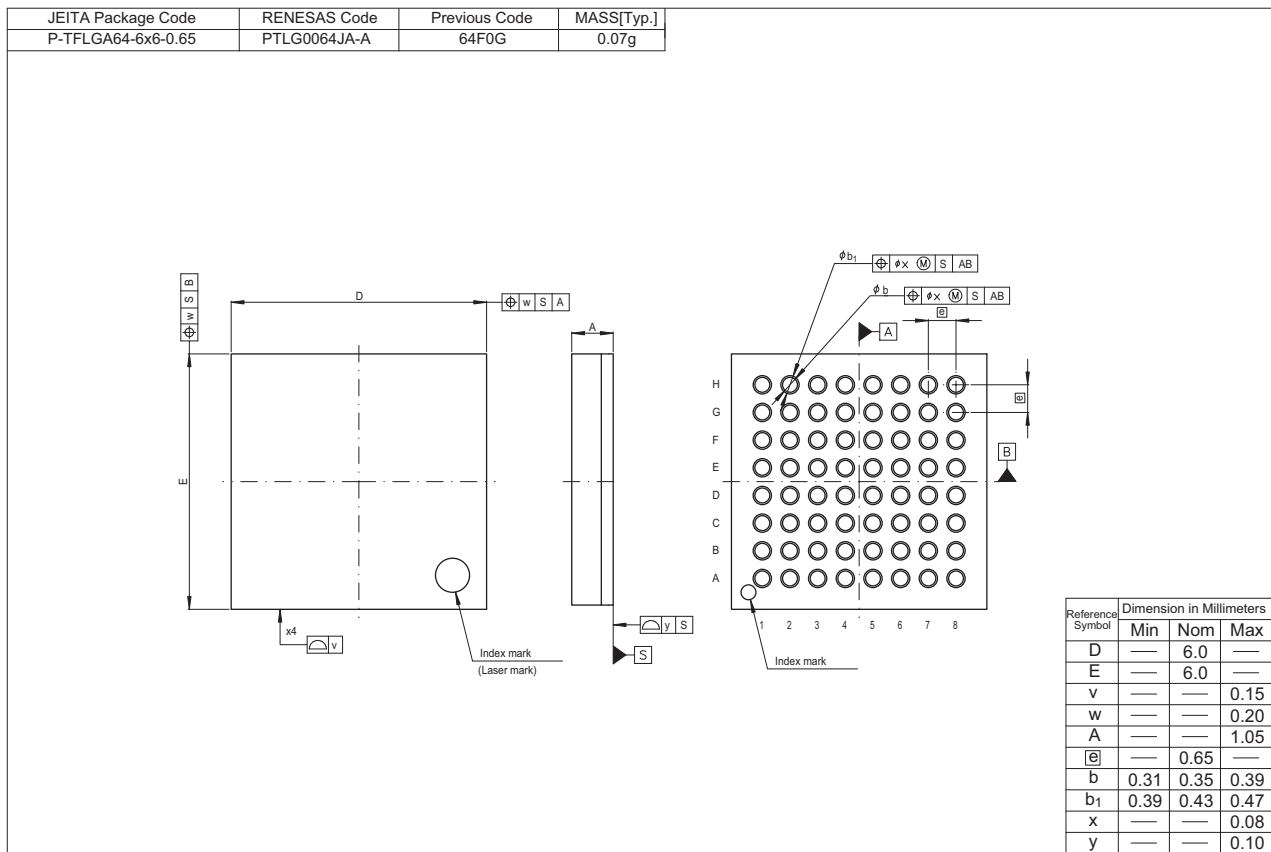


Figure F 64-Pin TFLGA (PTLG0064JA-A)

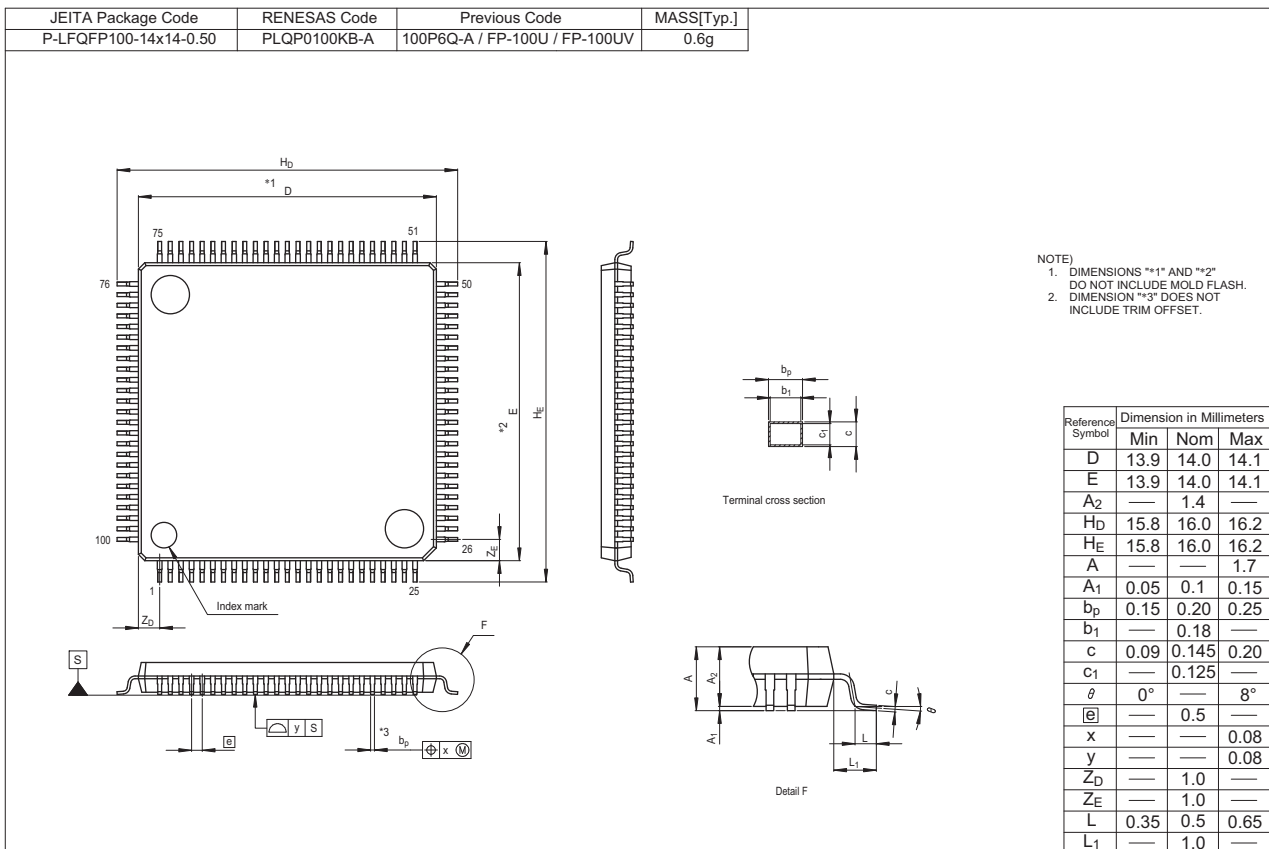


Figure G 100-Pin LQFP (PLQP0100KB-A)

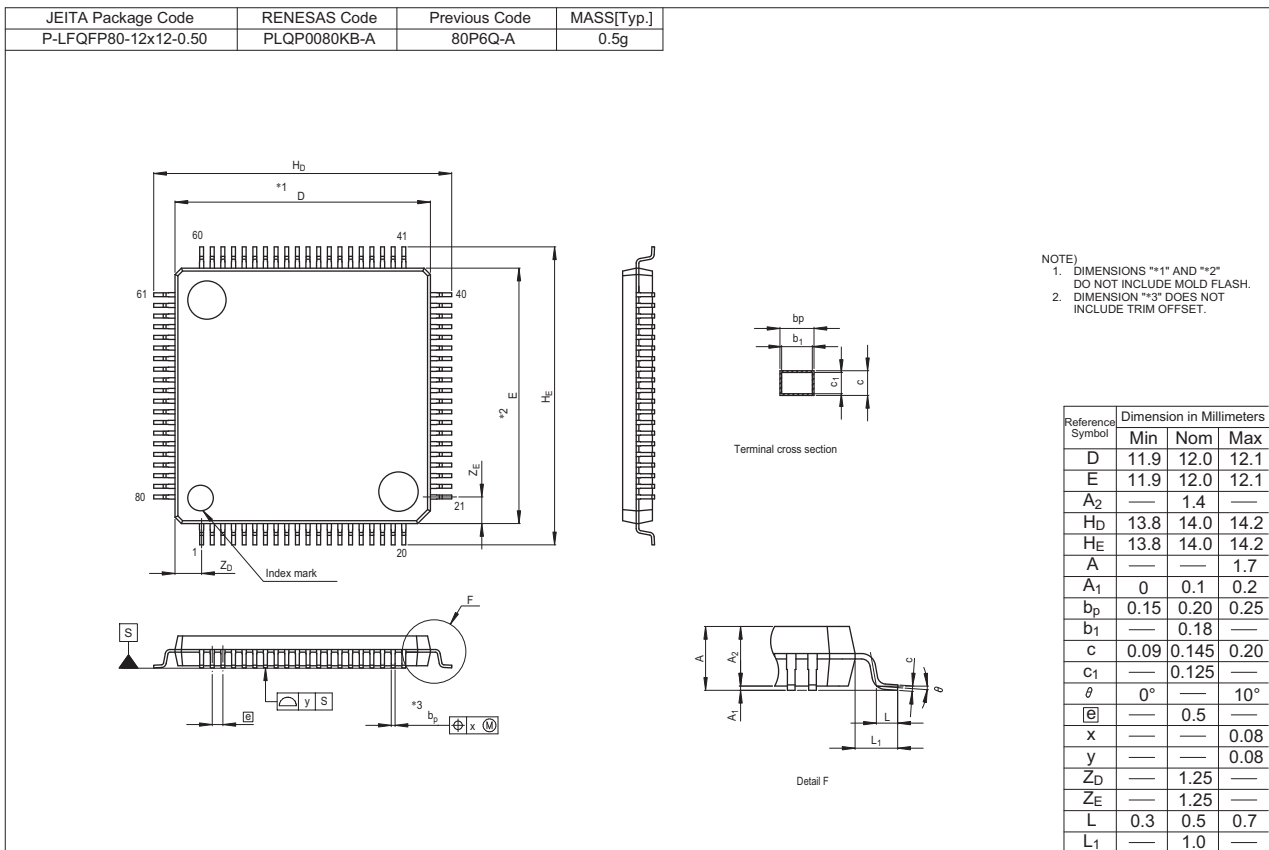


Figure H 80-Pin LQFP (PLQP0080KB-A)

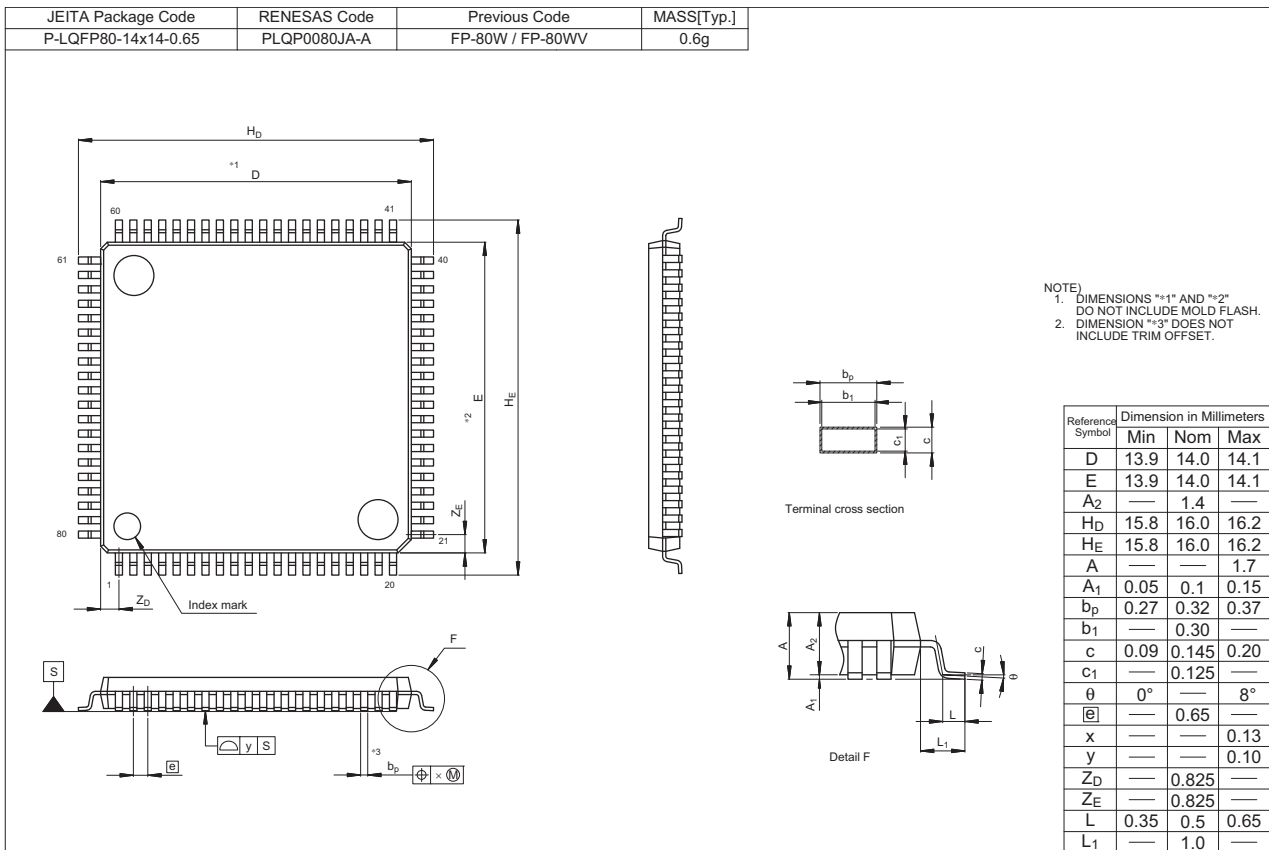


Figure I 80-Pin LQFP (PLQP0080JA-A)

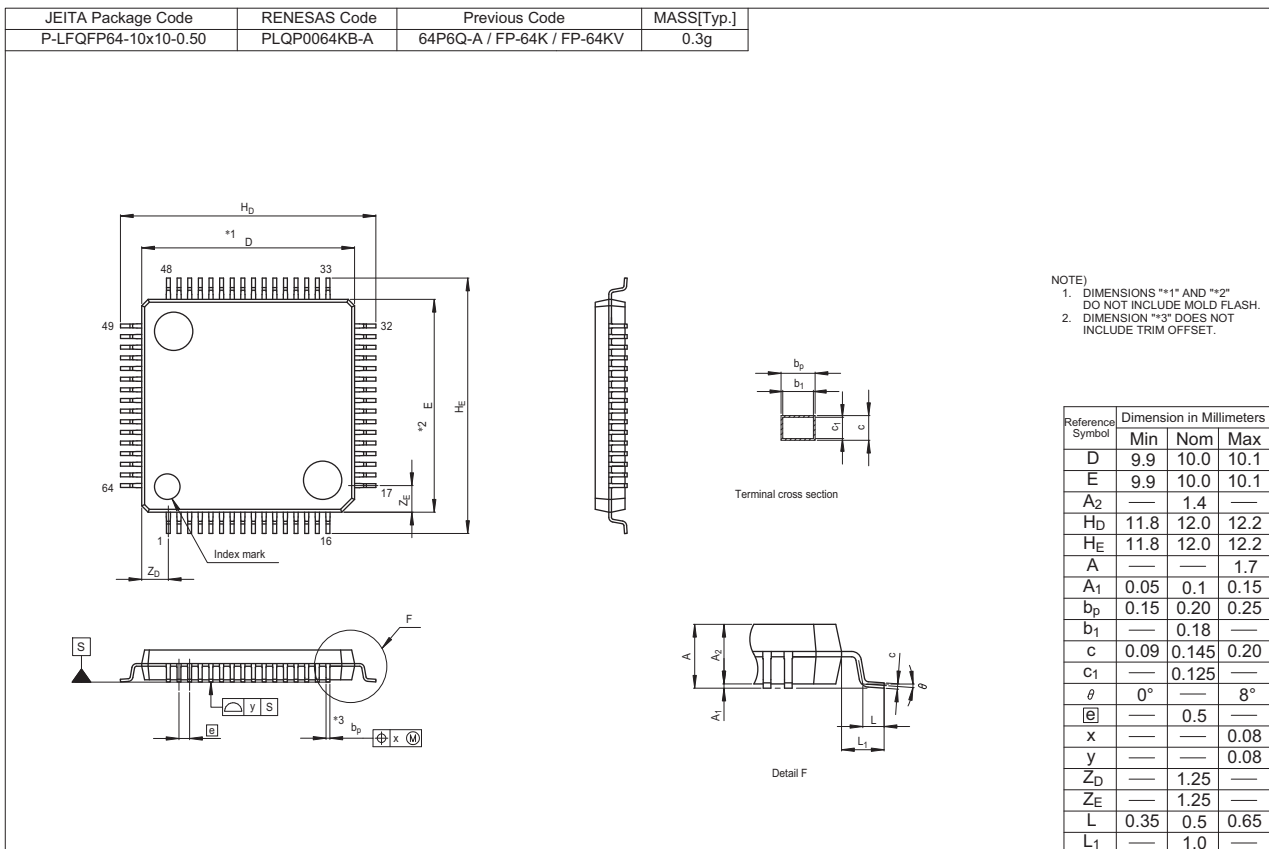


Figure J 64-Pin LQFP (PLQP0064KB-A)

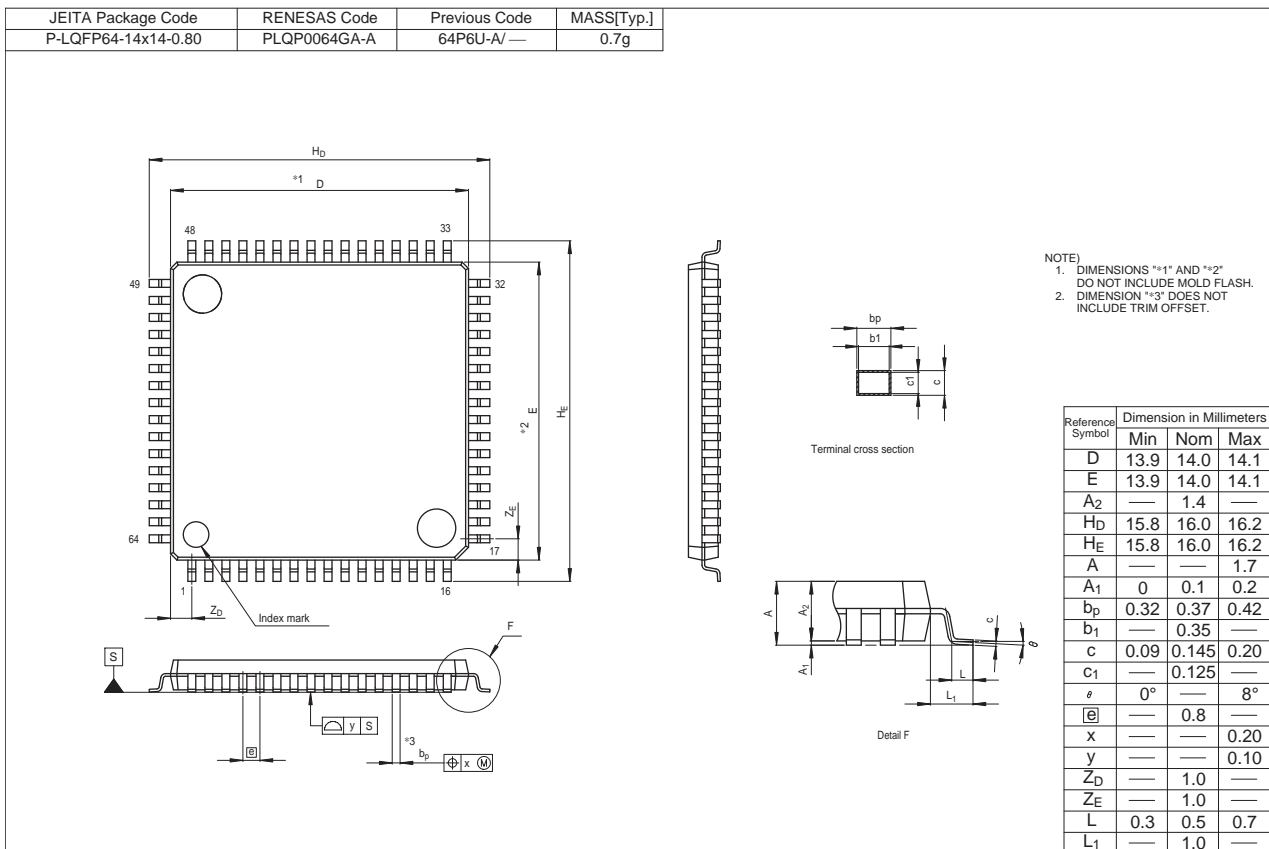


Figure K 64-Pin LQFP (PLQP0064GA-A)

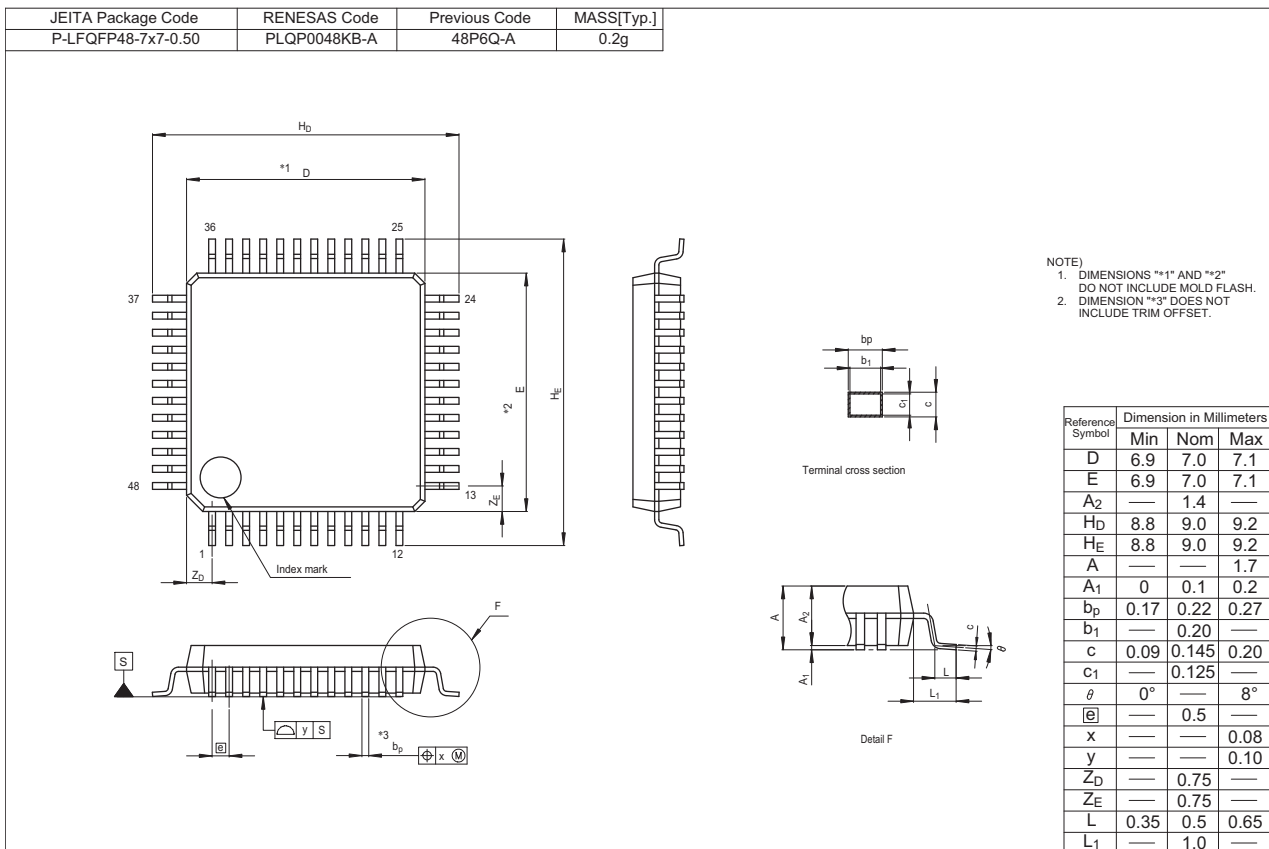


Figure L 48-Pin LQFP (PLQP0048KB-A)

REVISION HISTORY	RX210 Group User's Manual: Hardware
------------------	-------------------------------------

Rev.	Date	Description	
		Page	Summary
0.50	Mar 17, 2011	—	First edition, issued
0.51	Apr 15, 2011	All	DMACA activation source select register → DMACA activation request select register
		3. Operating Modes	
		95	Table 3.3 Endian Setting Method, changed
		7. Option-Setting Memory	
		141	Figure 7.1 Option-Setting Memory Area, changed
		9. Clock Generation Circuit	
		198	9.9 Pin Settings When an External Clock is Connected: Description changed
		11. Low Power Consumption	
		221	11.2.2 Module Stop Control Register A (MSTPCRA): ACSE Bit (All-Module Clock Stop Mode Enable), changed
		226	Table 11.4 Relationship between Operating Power Control Mode, Operating Range, and Power Consumption, changed
		231	11.2.9 Deep Standby Control Register (DPSBYCR): Description changed
		239	11.2.16 Flash HOCO Software Standby Control Register (FHSSBYCR): Description changed
		245	11.6.2.1 Transition to All-Module Clock Stop Mode: Description changed
		18. Event Link Controller (ELC)	
		458	18.2.2 Event Link Setting Register n (ELSRn) (n = 1 to 4, 7, 10, 12, 15, 16 and 18 to 29): Description changed
		20. Multifunction Pin Controller (MPC)	
		520	Table 20.9 Register Settings for Input/Output Pin Function in 64-Pin LQFP, changed
		21. Multi-Function Timer Pulse Unit 2 (MTU2A)	
		558	21.2.3 Timer I/O Control Register (TIOR): Description changed
		632	Figure 21.35 Procedure for Selecting Reset-Synchronized PWM Mode, changed
		23. 23. 8-Bit Timer (TMR)	
		778	23.8 Link Operation by ELC: Description changed
		25. Realtime Clock (RTCA)	
		All in this section	Pin name changed: XRTCIN → XCIN, XRTCOUT → XCOUT, RTCTC0 → RTCIC0, RTCTC1 → RTCIC1, RTCTC2 → RTCIC2
		26. Watchdog Timer (WDT)	
		836	Table 26.2 WDT Registers: Address in Option function select register 0, changed
		27. Independent Watchdog Timer (IWDT)	
		All in this section	Symbol name changed: OCOCLK → IWDTCLK
		855	Table 27.2 IWDT Registers: Address in Option function select register 0, changed
		30. Serial Peripheral Interface (RSPI)	
		1095	SPEIE Bit (RSPI Error Interrupt Enable): Description changed
		1165	30.5 Usage Note: Description changed
		32. 12-Bit A/D Converter (S12AD)	
1178	32.2.1 A/D Data Registers y (ADDRy) (y = 0 to 15): Description changed		
1186	ADCS [1:0] Bit (Scan Mode Select): Description changed		
39. ROM (Flash Memory for Code Storage)			
1309	Table 39.8 FCU Command Formats, changed		
40. E2 Data Flash Memory (Flash Memory for Data Storage)			
1368	40.2.6 Flash P/E Mode Entry Register (FENTRYR): Description changed		
1369	40.2.7 E2 Data Flash Blank Check Control Register (DFLBCCNT): Description changed		
1374	40.6.1.3 E2 Data Flash P/E Modes: (1), description changed		
1375	Table 40.5 FCU Commands for Use with E2 Data Flash Memory, changed		
1379	(4) Blank Checking: Description changed		
0.90	Aug 09, 2011	1. Overview	
		41	Table 1.1 Outline of Specifications: Power supply voltage/ Operating frequency, changed
		54, 58, 61, 63	Table 1.5 to Table 1.8 List of Pins and Pin Functions (Pin name: LVCMP2 → CMPA2), changed
		2. CPU	

Rev.	Date	Description	
		Page	Summary
0.90	Aug 09, 2011	88	Table 2.14 Instructions that are Converted into Multiple Micro-Operations (multiplier: 32 x 32 → 64 bits), (memory source operand), added
		3. Operating Modes	
		100	3.3.5 User Boot Mode, changed
		5. I/O Registers	
		108	Table 5.1 List of I/O Registers (Address Order), SOSWTCR, LOCOWTCR2, HOCOWTCR2, added
		114 to 116	Table 5.1 List of I/O Registers (Address Order): Interrupt source priority register, changed
		6. Resets	
		131	Table 6.2 Targets to be Initialized by Each Reset Source, changed
		139	6.3.3 Voltage Monitoring 1 Reset and Voltage Monitoring 2 Reset: Description changed
		140	Figure 6.2 Operation Examples During Voltage Monitoring 1 Reset and Voltage Monitoring 2 Reset, added
		141	6.3.5 Independent Watchdog Timer Reset: Description changed
		141	6.3.6 Watchdog Timer Reset: Description changed
		7. Initial Setting Memory	
		151	7.2.3 Endian Select Register B (MDEB), Endian Select Register S (MDES): Description changed
		152	7.3 UB Code: Description changed
		8. Voltage Detection Circuit (LVD)	
		156	Figure 8.2 Block Diagram of Voltage Monitoring 1 Interrupt/Reset Circuit, changed
		157	Figure 8.3 Block Diagram of Voltage Monitoring 2 Interrupt/Reset Circuit, changed
		159	8.2.1 Voltage Monitoring Circuit/Comparator A Control Register (LVCMPCR): Description changed
		160	8.2.2 Voltage Detection Level Select Register (LVDLVLRL): Description changed
		161	8.2.3 Voltage Monitoring 1 Circuit/Comparator A1 Control Register 0 (LVD1CR0): Description changed
		163	8.2.4 Voltage Monitoring 2 Circuit/Comparator A2 Control Register 0 (LVD2CR0): Description changed
		165	8.2.5 Voltage Monitoring 1 Circuit/Comparator A1 Control Register 1 (LVD1CR1): Description changed
		166	8.2.6 Voltage Monitoring 1 Circuit/Comparator A1 Status Register (LVD1SR): Description changed
		167	8.2.7 Voltage Monitoring 2 Circuit/Comparator A2 Control Register 1 (LVD2CR1): Description changed
		168	8.2.8 Voltage Monitoring 2 Circuit/Comparator A2 Status Register (LVD2SR): Description changed
		169	8.3 VCC Input Voltage Monitor: Description changed
		171	Table 8.4 Procedures for Setting Bits Related to the Voltage Monitor 1 Interrupt and Voltage Monitor 1 Reset, changed
		172	Figure 8.5 Example of Voltage Monitoring 1 Interrupt Operation, changed
		173	Table 8.5 Procedures for Setting Bits Related to the Voltage Monitor 2 Interrupt and Voltage Monitor 2 Reset, changed
		174	Figure 8.6 Example of Voltage Monitoring 2 Interrupt Operation, changed
		9. Clock Generation Circuit	
		176	Table 9.1 Specifications of Clock Generation Circuit, changed
		179	9.2.1 System Clock Control Register (SCKCR): Description changed
		183	9.2.4 PLL Control Register 2 (PLLCR2): Description changed
		185	9.2.6 Main Clock Oscillator Control Register (MOSCCR): Description changed
		186	9.2.7 Sub-Clock Oscillator Control Register (SOSCCR): Description changed
		187	9.2.8 Low-Speed Clock Oscillator Control Register (LOCOCR): Description changed
		188	9.2.9 IWDT-Dedicated Low-Speed Clock Oscillator Control Register (ILOOCR): Description changed
		189	9.2.10 High-Speed Clock Oscillator Control Register (HOCOCCR): Description changed
		191	9.2.12 Oscillation Stop Detection Control Register (OSTDCR): Description changed
		193	9.2.14 Main Clock Oscillator Forced Oscillation Control Register (MOFCR): Description changed
		194	9.2.15 High-Speed Clock Oscillator Power Supply Control Register (HOCOPCR): Description changed
		196	9.3.3 Notes on the External Clock Input, added
		198	9.4.2 Handling of Pins when Sub-Clock is Not Used: Description changed
		200	Figure 9.8 Flow of Recovery from Detection of Oscillator Stop, added
		200	9.5.2 Oscillation Stop Detection Interrupts: Description changed
		204	9.10.1 Notes on Clock Generation Circuit: Description changed
		205	9.10.5 Notes on Sub-Clock, changed

Rev.	Date	Description	
		Page	Summary
0.90	Aug 09, 2011	10. Clock Frequency Accuracy Measurement Circuit (CAC)	
		208	10.2.1 CAC Control Register 0 (CACR0): Description changed
		11. Low Power Consumption	
		All in this section	Mode name, changed: Middle-speed operating mode 1, 2 → Middle-speed operating mode A, B SOSCWTCR, LOCOWTCR2, HOCOWTCR2 register, added
		222	Table 11.3 List of Registers Related to Low Power Consumption Functions, changed
		224	11.2.1 Standby Control Register (SBYCR): Description changed
		230 to 232	11.2.5 Normal Operating Power Consumption Control Register (NMPCCR): Description changed
		233	11.2.6 Sleep Mode Return Clock Source Switching Register (RSTCKCR): Description changed
		234	11.2.7 Main Clock Oscillator Wait Control Register (MOSCWTCR): Description changed
		235	11.2.8 Sub-Clock Oscillator Wait Control Register (SOSCWTCR), added
		236	11.2.9 PLL Wait Control Register (PLLWTCR): Description changed
		237	11.2.10 LOCO Wait Control Register 2 (LOCOWTCR2), added
		238	11.2.11 HOCO Wait Control Register 2 (HOCOWTCR2), added
		239	11.2.12 Deep Standby Control Register (DPSBYCR): Description changed
		242	11.2.14 Deep Standby Interrupt Enable Register 2 (DPSIER2): Description changed
		248	11.2.19 Flash HOCO Software Standby Control Register (FHSSBYCR): Description changed
		252	11.6.1.1 Transition to Sleep Mode: Description changed
		253	11.6.1.3 Sleep Mode Return Clock Source Switching Function: Description changed
		254	11.6.2.1 Transition to All-Module Clock Stop Mode: Description changed
		255	11.6.2.2 Canceling All-Module Clock Stop Mode: Description changed
		256	11.6.3.1 Transition to Software Standby Mode: Description changed
		257	11.6.3.2 Canceling Software Standby Mode: Description changed
		260	11.6.4.2 Canceling Deep Software Standby Mode: Description changed
		263	Figure 11.4 Example of Flowchart to Use Deep Software Standby Mode, changed
		264	11.7.7 Rewrite the Register by DMACA and DTC in Sleep Mode, added
		12. Register Write Protection Function	
		265	Table 12.1 Correspondences between PRCR Bits and Registers to be Protected, changed
		14. Interrupt Control Unit (ICUA)	
		All in this section	Terms, changed: Low power-voltage detection 1 → voltage monitoring 1 interrupt Low power-voltage detection 2 → voltage monitoring 2 interrupt Low Power-Voltage Detection 1 Status Flag → Voltage Monitoring 1 Interrupt Status Flag Low Power-Voltage Detection 2 Status Flag → Voltage Monitoring 2 Interrupt Status Flag Low Power-Voltage Detection 1 Enable Bit → Voltage Monitoring 1 Interrupt Enable Bit Low Power-Voltage Detection 2 Enable Bit → Voltage Monitoring 2 Interrupt Enable Bit
		293	14.2.8 IRQ Control Register i (IRQCRi) (i = 0 to 7): Description changed
		310	Table 14.4 Interrupt Vector Table: Note 2 deleted
		322	14.7.1 Note on WAIT Instruction Used with Non-Maskable Interrupt, added
		15. Buses	
		326	Table 15.2 Addresses Assigned for Each Bus, changed
		331	Table 15.5 Specifications of the External Bus, changed
		332	15.2.7 Bus Settings: Description changed
		335	15.3.1 CSn Control Register (CSnCR) (n = 0 to 3): Description changed
		348, 349	15.3.6 CSn Wait Control Register 2 (CSnWCR2) (n = 0 to 3): Description changed
		385	Table 15.12 Types of Bus Errors, changed
		16. DMA Controller (DMACA)	
		394	16.2.4 DMA Block Transfer Count Register (DMCRB): Description changed
		412	16.3.2 Extended Repeat Area Function: Description changed
		420	Table 16.8 DMACA Execution Cycles: Note 1 added
		17. Data Transfer Controller (DTC)	
		434	17.2.2 DTC Mode Register B (MRB): Description changed
		438	17.2.6 DTC Transfer Count Register B (CRB): Description changed
		442	17.3 Sources of Activation: Description changed
		445	Figure 17.4 Operation Flowchart of the DTC, changed
		454	Figure 17.9 Example (1) of DTC Operation Timing, changed
		454	Figure 17.10 Example (2) of DTC Operation Timing, changed
		455	Figure 17.11 Example (3) of DTC Operation Timing, changed
		455	Figure 17.12 Example (4) of DTC Operation Timing, changed

Rev.	Date	Description	
		Page	Summary
0.90	Aug 09, 2011	456	Figure 17.13 Example of Operation when Transfer Information Skip is Executed, changed
		458	Table 17.9 Execution Cycles of the DTC: Note 7 added
		18. Event Link Controller (ELC)	
		478	Table 18.6 Operations of Modules when Event is Input, changed
		483	18.3.6 Procedure for Linking Events: Description changed
		484	18.4.1 Setting the ELSR18 and ELSR19 Registers: Description changed
		484	18.4.2 Setting the Bit-Rotating Operation of the Output Port Groups: Description changed
		19. I/O Ports	
		505	19.2.1 Port Direction Register (PDR): Description changed
		506	19.2.2 Port Output Data Register (PODR): Description changed
		508	19.2.4 Port mode register (PMR): Description changed
		509	19.2.5 Open Drain Control Register 0 (ODR0): Description changed
		510	19.2.6 Open Drain Control Register 1 (ODR1): Description changed
		512	19.2.8 Drive Capacity Control Register (DSCR): Description changed
		513	Table 19.6 Treatment of Unused Pins, changed
		20. Multi-Function Pin Controller (MPC)	
		515	Table 20.1 Allocation of Pin Functions to Multiple Pins: NMI added
		549, 550	Table 20.31 Setting up the External Bus Interface, changed
		—	20.4 Notes on Register Setting, deleted
		551, 552	20.4.2 Notes on MPC Register Setting: Description changed
		21. Multi-Function Timer Pulse Unit 2 (MTU2)	
		All in this section	Terms, changed: operate normally → normal mode Term used for ELC, changed: Count clear operation → Count restart operation
		555	Table 21.2 MTU2A Functions, changed
		593	21.2.17 Timer Output Master Enable Registers (TOER): Description changed
		714	21.6.25 Continuous Output of Compare-Match Pulse Interrupt Signal, added
		22. Port Output Enable 2 (POE2)	
		753	22.2.7 Input Level Control/Status Register 3 (ICSR3): Description changed
		754, 755	22.3 Operation: Description changed
		759	22.5 Usage Notes: Description changed
		23. 8-Bit Timer (TMR)	
		All in this section	Terms, changed: Internal clock → Frequency dividing clock Term used for ELC, changed: Count clear operation → Count restart operation 23.7 and 23.8, exchanged
		761	Table 23.2 Pin Configuration of TMR, changed
		762	Figure 23.1 Block Diagram of TMR (Unit 0), changed
		763	Figure 23.2 Block Diagram of TMR (Unit 1), changed
		771, 772	23.2.6 Timer Control/Status Register (TCSR): Note 1 changed
		773	23.2.7 Time Count Start Register (TCSTR): Description changed
		774	23.3.1 Pulse Output: Description changed
		779	Figure 23.10 Timing of Clearance by External Reset (Rising Edge), changed
		779	Figure 23.11 Timing of Clearance by External Reset (High Level), changed
		783	23.7.1 Event Signal Output to ELC: Description changed
		24. Compare Match Timer (CMT)	
		All in this section	Terms, changed: Internal clock → Frequency dividing clock Term used for ELC, changed: Count clear operation → Count restart operation
		799	24.5.2 (2) Event Count: Description changed
		—	24.6.4 Point for Caution When Changing the Value of CMCR, deleted
		—	24.6.5 Point for Caution Regarding the Counter (CMCNT) and CMCOR, deleted
		25. Realtime Clock (RTC)	
		All in this section	Term used in RTC description, changed: software reset → RTC software reset
		801	Table 25.1 Specifications of RTCA, changed
		803	Table 25.3 Registers of RTCA: Value after reset changed (Register descriptions also changed), Note 1 added
		822	25.2.20 Time Error Adjustment Register (RADJ): Description changed
		832	Figure 25.4 Setting the Time, changed
		843	25.6.4 Transitions to Low Power Consumption Modes after Setting Registers: Description changed
		843	25.6.5 Points for Caution When Writing to and Reading from Registers: Description changed

Rev.	Date	Description	
		Page	Summary
0.90	Aug. 09, 2011	26. Watchdog Timer (WDT)	
		846	Table 26.2 WDT Registers, changed
		857	26.3.3 [Sample sequences of writing that are not valid for refreshing the counter]: Description changed
		27. Independent Watchdog Timer (IWDT)	
		864	Table 27.2 IWDT Registers, changed
		876	27.3.3 [Sample sequences of writing that are not valid for refreshing the counter]: Description changed
		28. Serial Communications Interface (SCIc, SCId)	
		882, 883	Table 28.1 Specifications of SCIc: Note deleted
		883	Table 28.3 List of Functions of SCI Channels, changed
		898	28.2.6 Serial Control Register (SCR): Description changed
		907	28.2.8 Smart Card Mode Register (SCMR): Note added
		925	28.2.16 SPI Mode Register (SPMR): Description changed
		927	Table 28.22 Settings of the ESME Bits and Guaranteed Operation by Timer Operation Mode, added
		929	28.2.20 Control Register 2 (CR2): Description changed
		944	Figure 28.8 Sample SCI Initialization Flowchart (Asynchronous Mode), changed
		946	Figure 28.10 Example of Serial Transmission Flowchart in Asynchronous Mode, changed
		950	Figure 28.13 Example of Serial Reception Flowchart (2) (Asynchronous Mode), changed
		952	Figure 28.15 Example of Multi-Processor Serial Transmission Flowchart, changed
		957	28.5.2 CTS and RTS Functions: Description changed
		958	Figure 28.20 Example of SCI Initialization Flowchart (Clock Synchronous Mode), changed
		960	Figure 28.22 Example of Serial Transmission Flowchart (Clock Synchronous Mode): Note added
		968	28.6.5 Initialization of the SCI (Smart Card Interface Mode): Description changed
		981	Figure 28.43 Example of the Flow of SCI Initialization (for Simple I ² C Mode): Description changed
		987	28.8.1 States of Pins in Master and Slave Modes: Description changed
		987	Table 28.25 States of Pins by Mode and Input Level on the SSn# Pin: Note added
		1000	Figure 28.60 Example of Operations with Bus-Collision Detection, changed
		1001	Figure 28.61 Example of Operations with the Digital Filter, changed
		1002	Figure 28.63 Timing for Sampling of Data Received through RXDX12, changed
		1012	28.12 Event Linking, changed
		1018	28.13.10 External Clock Input in Clock Synchronous Mode, added
		1019	28.13.12 Limitation 2 on Usage of the Extended Serial Mode Control Section: Description changed
		1019	Figure 28.72 Example of Flowchart for Reception Error Handling (During Reception of the Start Frame), added
		29. I ² C Bus Interface (RIIC)	
		1027, 1028	29.2.2 I ² C Bus Control Register 2 (ICCR2): RSPA bit, added
		—	29.16.2 Setting Input Buffer Control Register, deleted
		30. Serial Peripheral Interface (RSPI)	
		1107	30.2.1 RSPI Control Register (SPCR): Description changed
		1113 to 1115	30.2.5 RSPI Data Register (SPDR): Description changed
		1114	Figure 30.3 Configuration of SPDR (Writing), added
		1115	Figure 30.4 Configuration of SPDR (Reading), added
		1119, 1120	30.2.9 RSPI Data Control Register (SPDCR): Description changed
		1120	Table 30.5 Settable Combinations of SPSLN[2:0] Bits and SPFC[1:0] Bits, changed
		1136 to 1140	30.3.4 Data Format: Description changed
		1141 to 1144	30.3.5 Transfer Format: Description changed
		1147	Figure 30.25 Operation Example of SPCR.TXMD = 0, changed
		1148	Figure 30.26 Operation Example of SPCR.TXMD = 1, changed
		1149	Figure 30.27 Operation Example of SPTI and SPRI Interrupts, changed
		1152	Figure 30.28 Operation Example of OVRF Flag, changed
		1154	Figure 30.29 Operation Example of PERF Flag, changed
		1158	Figure 30.30 Procedure for Determining the Form of Serial Transmission in Master Mode, changed

Rev.	Date	Description	
		Page	Summary
0.90	Aug 09, 2011	1158	Figure 30.31 Concept of a Frame, added
		1159	Figure 30.32 Correspondence between the RSPI Command Register and Transmit/Receive Buffers in Sequence Operations, added
		1163	Figure 30.34 Example of Initialization Flowchart in Master Mode (SPI Operation), changed
		1167	Figure 30.37 Example Flowchart for Transfer Operations in Slave Mode (SPI Operation), changed
		1169	Figure 30.38 Procedure for Determining the Form of Serial Transmission in Master Mode, changed
		1169	Figure 30.39 Concept of a Frame, added
		1170	Figure 30.40 Correspondence between the RSPI Command Register and Transmit/Receive Buffers in Sequence Operations, added
		1171	Figure 30.41 Example of Initialization Flowchart in Master Mode (Clock Synchronous Operation), changed
		1172	Figure 30.42 Example Flowchart for Transfer Operations in Master Mode (Clock Synchronous Operation), changed
		1175	Figure 30.44 Example Flowchart for Transfer Operations in Slave Mode (CPHA = 1) (Clock Synchronous Operation), changed
		1178	Figure 30.48 Configuration of Shift Register I/O Paths in Loopback Mode (Master Mode), changed
		1180	30.3.17 Interrupt Sources: Description changed
		11780	Table 30.14 Interrupt Sources of RSPI, changed
		1181, 1182	30.4 Event Link Output: Description changed
		1182	30.5.2 Interrupt Handling and Event Linking, added
		31. CRC Calculator (CRC)	
		1185	31.2.1 CRC Control Register (CRCCR): Description changed
		1186	31.2.3 CRC Data Output Register (CRCDOR): Description changed
		32. 12-Bit A/D Converter (S12AD)	
		1192	Table 32.1 Specifications of 12-Bit A/D Converter: Note 3 added
		1238	32.7.7 Allowable Impedance of Signal Source: Description changed
		1238	Table 32.10 Specifications of Analog Input Pins, changed
		33. D/A Converter	
		1244	33.2.2 D/A Control Register (DACR): Description changed
		1245	33.2.3 DADRM Format Select Register (DADPR): bit name changed
		34. Temperature Sensor	
		1251	34.3.1 Preparation for Using the Temperature Sensor: Description changed
		1252	34.3.2 Setting of 12-Bit A/D Converter: Description changed
		1252	Table 34.3 A/D Converter Conversion Clock (PCLKD) Frequencies and ADSSTRT Settings, changed
		1253	Figure 34.2 Procedure for Using the Temperature Sensor, changed
		35. Comparator A	
		1255	Figure 35.1 Block Diagram of Comparator A, changed
		1258	35.2.1 Voltage Monitoring Circuit/Comparator A Control Register (LVCMPCR): Description changed
		1259, 1260	35.2.2 Voltage Monitoring 1 Circuit/Comparator A1 Control Register 0 (LVD1CR0): Description changed
		1261, 1262	35.2.3 Voltage Monitoring 2 Circuit/Comparator A2 Control Register 0 (LVD2CR0): Description changed
		1263	35.2.4 Voltage Monitoring 1 Circuit/Comparator A1 Control Register 1 (LVD1CR1): Description changed
		1264	35.2.5 Voltage Monitoring 1 Circuit/Comparator A1 Status Register (LVD1SR): Description changed
		1265	35.2.6 Voltage Monitoring 2 Circuit/Comparator A2 Control Register 1 (LVD2CR1): Description changed
		1266	35.2.7 Voltage Monitoring 2 Circuit/Comparator A2 Status Register (LVD2SR): Description changed
		1267	35.3 Monitoring Comparison Results: Description changed
		1268	Table 35.4 Procedure for Setting Bits Associated with Comparator A1 Interrupt, changed
		1269	Figure 35.2 Operating Example of Comparator A1, changed
		1270	Table 35.5 Procedure for Setting Bits Associated with Comparator A2 Interrupt, changed
		1271	Figure 35.3 Operating Example of Comparator A2, changed
		36. Comparator B	
		1279	Table 36.4 Procedure for Setting Registers Associated with Comparator B, changed

Rev.	Date	Description			
		Page	Summary		
0.90	Aug 09, 2011	39. ROM (Flash Memory for Code Storage)			
		1293	Table 39.3 Input and Output Pins Associated with the ROM, changed		
		1296,1297	39.2.3 Flash Access Status Register (FASTAT): Description changed		
		1314	Figure 39.3 Configuration of Erasure Blocks for the User Mat, changed		
		—	Figure 39.4 Transitions between Operating Modes in Terms of the ROM, deleted		
		1315	Table 39.6 Differences between Modes, changed		
		1320	Table 39.9 Acceptable Commands and the State and Mode (ROM P/E Mode) of the FCU, changed		
		1331	Figure 39.13 Procedure for ROM Programming, changed		
		1339	39.7 Suspending Operation: Description changed		
		1340	Figure 39.20 Suspension during Erasure (Suspension Priority Mode), changed		
		1343	Table 39.10 Error Protection Types (Types Dedicated to ROM and Types Common to ROM and E2 Data Flash), changed		
		1344	39.10 Boot Mode: Description changed		
		1345	Figure 39.23 Configuration of Control Code and ID Code in ROM, changed		
		1345	Table 39.11 Specifications for ID Code Protection: Note deleted		
		1347	39.10.4 State Transitions in Boot Mode: Description changed		
		1352	39.10.6 (1) Supported Device Inquiry: Description changed		
		1352	39.10.6 (2) Device Selection: Description changed		
		1356	39.10.6 (9) Erasure Block Information Inquiry: Description changed		
		1356	Table 39.17 Programming/Erasure Host Commands, changed		
		1362	Figure 39.29 Procedure for ROM Programming in Boot Mode, changed		
		1364	39.10.8 (3) 256-Byte Programming: Description changed		
		1371, 1372	39.13 Usage Notes: Description changed		
		40. E2 Data Flash Memory (Flash Memory for Data Storage)			
		1373	Table 40.1 Specifications of E2 Data Flash Memory, changed		
		1375	Table 40.2 Input and Output Pins Associated with the E2 DataFlash, changed		
		1384	40.2.7 E2 DataFlash Blank Check Control Register (DFLBCCNT): Description changed		
		1390	Table 40.6 FCU Command Formats (Commands Dedicated to the E2 Data Flash Memory), changed		
		1391	Table 40.7 Acceptable Commands and the State and Mode (E2 DataFlash P/E Mode) of the FCU, changed		
		1393	Figure 40.5 Procedure for E2 DataFlash Programming, changed		
		41. Electrical Characteristics			
		1402 to 1454	Newly added		
		Appendix 1. Port States in Each Processing Mode.			
		1455, 1456	Table 1.1 Port States in Each Processing State, changed		
		1.10	Feb 10, 2012	All	Terms, changed: Memory mat → Memory area, User mat → User area, Boot mat → Boot area, NMOS open drain → N channel open drain, High-speed clock oscillator → High-speed on-chip oscillator, Low-speed clock oscillator → Low-speed on-chip oscillator, IWDT-dedicated low-speed clock oscillator → IWDT-dedicated on-chip oscillator, High-speed clock → HOCO clock, Low-speed clock → LOCO clock, Port input register → Port input data register, Pull-up resistor control register → Pull-up control register, Port XX pin control select register → PXX pin function control register, Single-cycle scan mode → Single scan mode Interrupt control unit → Interrupt controller PLQP0080JA-A 14 × 14 mm, 0.65-mm pitch, package deleted
				1. Overview	
				39 to 41	Table 1.1 Outline of Specifications: Memory, Interrupt control unit, Timers, Operating temperature, Data operation circuit, and On-chip debugging system, changed
				43	Table 1.3 List of Products, changed
				44	Figure 1.1 How to Read the Product Part No., Memory Capacity, and Package Type: G item added
				45	Figure 1.2 Block Diagram, changed
				46	Table 1.4 Pin Functions: Multiplexed bus, added

Rev.	Date	Description	
		Page	Summary
1.10	Feb 10, 2012	2. CPU	
		85	2.8.2 Instructions and Pipeline Processing, changed
		85	Table 2.13 Instructions that are Converted into a Single Micro-Operation, changed
		87, 88	Table 2.14 Instructions that are Converted into Multiple Micro-Operations, changed
		3. Operating Modes	
		94	Table 3.1 Selection of Operating Modes by the Mode Pin, changed: Note 2 deleted
		94	Table 3.3 Endian Setting Method, changed
		—	Table 3.5 Registers Related to Operating Modes, deleted
		97	3.2.3 System Control Register 0 (SYSCR0), Bit function table (KEY[7:0]): Description changed
		5. I/O Registers	
		—	Table 5.1 List of I/O Registers (Address Order): LOCO Wait Control Register 2 (LOCOWTCR2), deleted
		6. Resets	
		131, 132	Table 6.2 Targets to be Initialized by Each Reset Source, changed
		—	Table 6.4 Registers Related to Resets, deleted
		7. Option-Setting Memory	
		—	Table 7.1 Registers Related to the Option-Setting Memory, deleted
		145	7.2.1 Option Function Select Register 0 (OFS0): Note 1 deleted
		149	7.2.2 Option Function Select Register 1 (OFS1), Description changed: 2.85 V is selected → 2.80 V is selected, Note 2 deleted
		8. Voltage Detection Circuit (LVDAa)	
		—	Table 8.3 List of Voltage Detection Circuit Registers, deleted
		158	8.2.2 Voltage Monitoring 1 Circuit/Comparator A1 Status Register (LVD1SR), LVD1DET flag: Description deleted
		160	8.2.4 Voltage Monitoring 2 Circuit/Comparator A2 Status Register (LVD2SR), Bit function table (reserved): Description changed, LVD2DET flag: Description changed
		161	8.2.5 Voltage Monitoring Circuit/Comparator A Control Register (LVCMPCR), Bit function table: Description changed, Note 1 added
		162	8.2.6 Voltage Detection Level Select Register (LVDLVL), Bit function table (LVD2LVL[3:0]): Description changed, register description added
		163	8.2.7 Voltage Monitoring 1 Circuit/Comparator A1 Control Register 0 (LVD1CR0), LVD1RIE bit: Description changed
		165	8.2.8 Voltage Monitoring 2 Circuit/Comparator A2 Control Register 0 (LVD2CR0), LVD2RIE bit: Description changed
		167	8.3.2 Monitoring Vdet1: Description changed
		167	8.3.3 Monitoring Vdet2: Description changed
		169	Table 8.3 Procedures for Setting Bits Related to the Voltage Monitor 1 Interrupt and Voltage Monitor 1 Reset, changed
		170	Table 8.4 Procedures for Stopping Bits Related to the Voltage Monitoring 1 Interrupt and Voltage Monitoring 1 Reset, added
		171	Figure 8.5 Example of Voltage Monitoring 1 Interrupt Operation, changed
		172	Table 8.5 Procedures for Setting Bits Related to the Voltage Monitoring 2 Interrupt and Voltage Monitoring 2 Reset, changed
		173	Table 8.6 Procedures for Stopping Bits Related to the Voltage Monitoring 2 Interrupt and Voltage Monitoring 2 Reset, added
		174	Figure 8.6 Example of Voltage Monitoring 2 Interrupt Operation, changed
		175	8.7 Event Link Output: Description added
		175	8.7.1 Interrupt Handling and Event Linking: Description added
		9. Clock Generation Circuit	
		176	Table 9.1 Specifications of Clock Generation Circuit, changed
		177	Figure 9.1 Block Diagram of Clock Generation Circuit, changed
		—	Table 9.3 Registers of Clock Generation Circuit, deleted
		179	9.2.1 System Clock Control Register (SCKCR): Register description changed
		181	9.2.2 System Clock Control Register 3 (SCKCR3): Register description added
		182	9.2.3 PLL Control Register (PLLCR), Bit function table (STC[4:0]): Description changed
		183	9.2.4 PLL Control Register 2 (PLLCR2): Register description added
		185	9.2.6 Main Clock Oscillator Control Register (MOSCCR): Register description added, MOSTP bit: Description changed
		186	9.2.7 Sub-Clock Oscillator Control Register (SOSCCR): Register description added
		189	9.2.10 High-Speed On-Chip Oscillator Control Register (HOCOCCR): Register description added

Rev.	Date	Description	
		Page	Summary
1.10	Feb 10, 2012	190	9.2.11 High-Speed On-Chip Oscillator Control Register 2 (HOCOCR2): Register description added
		191	9.2.12 Oscillation Stop Detection Control Register (OSTDCR): Register description changed
		193	9.2.14 Main Clock Oscillator Forced Oscillation Control Register (MOFCR), Bit function table (MOFXIN): Deleted (changed to reserved), MOFXIN bit: Description deleted
		194	9.2.15 High-Speed On-Chip Oscillator Power Supply Control Register (HOCOPCR): Description changed
		196	9.3.2 External Clock Input: Description changed
		196	Figure 9.4 Connection Example of External Clock, Changed
		196	9.3.3 Notes on the External Clock Input: Description changed
		198	Figure 9.7 Pin Handling when Sub-Clock is not Used, Changed
		202	9.7.5 CAC Clock: Description changed
		—	9.8 Pin Settings When an Oscillator is Connected, deleted
		—	9.9 Pin Settings When an External Clock is Connected, deleted
		212	9.8.1 Notes on Clock Generation Circuit: (2) and (5), description added
		213	9.8.4 Notes on Resonator Connect Pin: Description changed
		213	9.8.5 Notes on Sub-Clock: Description added
		10. Clock Frequency Accuracy Measurement Circuit (CAC)	
		—	Table 10.3 Registers of CAC, deleted
		11. Low Power Consumption	
		216	11.1 Overview: Description changed
		216	Table 11.1 Specifications of Low Power Consumption Functions: Item (Reducing power consumption by switching clock signals) changed
		217	Table 11.2 Entering and Exiting Low Power Consumption Modes and Operating States in Each Mode, Main clock oscillator: Description changed, Note 5 deleted
		218	Figure 11.1 Mode Transitions: Note changed
		—	Table 11.3 List of Registers Related to Low Power Consumption Functions, deleted
		225	Table 11.3 Relationship between Operating Power Control Mode, Operating Range, and Power Consumption: Note changed
		226 to 229	11.2.5 Operating Power Control Register (OPCCR) • Middle-Speed Operating Mode A, Middle-Speed Operating Mode B, Low-Speed Operating Mode 2: Description changed
		226	Figure 11.2 Relationship between the Operating Voltages and Operating Frequencies in High-Speed Operating Mode, added
		227	Figure 11.3 Relationship between the Operating Voltages and Operating Frequencies in Middle-Speed Operating Modes A and B, added
		228	Figure 11.4 Relationship between the Operating Voltages and Operating Frequencies in Low-Speed Operating Mode 1, added
		229	Figure 11.5 Relationship between the Operating Voltages and Operating Frequencies in Low-Speed Operating Mode 2, added
		230	11.2.6 Sleep Mode Return Clock Source Switching Register (RSTCKCR), RSTCKSEL[2:0] bits, RSTCKEN bit: Bit description added
		233	11.2.9 PLL Wait Control Register (PLLWTCR): Register description changed
		—	11.2.10 LOCO Wait Control Register 2 (LOCOWTCR2): Register deleted
		234	11.2.10 HOCO Wait Control Register 2 (HOCOWTCR2), Bit function table: Description changed, Note 1 added, register description changed
		235	11.2.11 Deep Standby Control Register (DPSBYCR), DPSBY bit: Bit description changed
		243	11.2.18 Flash HOCO Software Standby Control Register (FHSSBYCR): Register description changed
		243	11.2.19 Deep Standby Backup Register (DPSBKRY): Register description deleted
		244	11.3 Reducing Power Consumption by Switching Clock Signals: Description changed
		247	11.6.1.3 Sleep Mode Return Clock Source Switching Function: Description changed
		247	11.6.2.1 Transition to All-Module Clock Stop Mode: Note 1 deleted
		250	11.6.3.1 Transition to Software Standby Mode: Description added
		251	11.6.3.2 Canceling Software Standby Mode, • Release due to an interrupt: Description added
		12. Register Write Protection Function	
		259	Table 12.1 Association between PRCR Bits and Registers to be Protected, changed
		—	Table 12.2 Register Related to Register Write Protection Function, deleted
		260	12.1.1 Protect Register (PRCR), Bit function table (PRC2): Added
		14. Interrupt Controller (ICUb)	
		—	Table 14.3 Registers of Interrupt Control Unit, deleted

Rev.	Date	Description	
		Page	Summary
1.10	Feb 10, 2012	293	Table 14.3 Interrupt Vector Table Names, changed: COMPB → CMPB, COMPB0 → CMPB0, COMPB1 → CMPB1, COMPA → CMPA, COMPA1 → CMPA1, COMPA2 → CMPA2
		15. Buses	
		310	Figure 15.1 Bus Configuration, changed
		314	Figure 15.4 Priority Order of Internal Peripheral Bus Accesses, added
		—	Table 15.7 Registers of External Bus Controller, deleted
		326	15.3.4 CSn Mode Register (CSnMOD), address changed
		367	15.7.1.2 Timeout: Description changed
		368	Table 15.11 Types of Bus Errors, changed
		16. DMA Controller (DMACA)	
		—	Table 16.2 Registers of DMACA, deleted
		17. Data Transfer Controller (DTCa)	
		—	Table 17.2 Registers of DTC, deleted
		426	Figure 17.4 Operation Flowchart of the DTC, changed
		18. Event Link Controller (ELC)	
		All in this section	Terms, changed: ?Group port → Port group
		—	Table 18.2 ELC Registers, deleted
		449	Table 18.2 Correspondence between ELSR Registers and Peripheral Functions, changed
		450, 451	Table 18.3 Correspondence between Event Signal Names Set in ELSn.ELS[7:0] Bits and Signal Numbers, changed
		451	18.2.3 Event Link Option Setting Register A (ELOPA): Register description changed
		452	18.2.4 Event Link Option Setting Register B (ELOPB): Register description changed
		452	18.2.5 Event Link Option Setting Register C (ELOPC): Register description changed
		453	18.2.6 Event Link Option Setting Register D (ELOPD): Register description changed
		19. I/O Ports	
		466	19.1 Overview: Description changed
		466	Table 19.1 Specifications of I/O Ports, changed
		467	Table 19.2 Port Functions, changed
		468 to 472	19.2 I/O Port Configuration, Figure 19.1 to Figure 19.5 I/O Port Configuration (1) to (5), added
		—	Table 19.7 Registers for I/O Ports, deleted
		20. Multifunction Pin Controller (MPC)	
		—	Table 20.2 Registers of MPC, deleted
		514	20.2.19 External Bus Control Register 1 (PFBCR1), WAITS[1:0] Bits: Description changed
		517	20.4.2 Notes on MPC Register Setting, 4.: Description changed
		518	Table 20.31 Register Settings for General-Purpose Ports: Notes deleted
		21. Multi-Function Timer Pulse Unit 2 (MTU2a)	
		—	Table 21.4 Registers of MTU2A, deleted
		605	Figure 21.35 Procedure for Selecting Reset-Synchronized PWM Mode, changed
		610	Figure 21.38 Example of Complementary PWM Mode Setting Procedure, changed
		650	21.4.3 A/D Converter Activation, (4): Description changed
		672	Figure 21.121 Contention between Overflow and Counter Clearing, changed
		673	Figure 21.122 Contention between TCNT Write Operation and Overflow, changed
		22. Port Output Enable 2 (POE2a)	
		706	Figure 22.1 POE Block Diagram, changed
		—	Table 22.4 POE2 Register Configuration, deleted
		721	22.5.3 Specifying Pins Corresponding to the MTU, added
		23. 8-Bit Timer (TMR)	
		723	Table 23.2 Pin Configuration of TMR: Count clock, changed
		—	Table 23.4 Registers of TMR, deleted
		24. Compare Match Timer (CMT)	
		—	Table 24.2 List of CMT Registers, deleted
		25. Realtime Clock (RTCb)	
		761	Table 25.2 Pin Configuration of RTC: Description changed
		762	25.2 Register Descriptions: Description changed
		—	Table 25.3 Registers of RTCA, deleted
		763	25.2.2 Second Counter (RSECCNT), Bit function table (b7: reserved): Description changed

Rev.	Date	Description	
		Page	Summary
1.10	Feb 10, 2012	763	25.2.3 Minute Counter (RMINCNT), Bit function table (b7: reserved): Description changed
		764	25.2.4 Hour Counter (RHRCNT), Bit function table (b7: reserved): Description changed
		765	25.2.5 Day-of-Week Counter (RWKCNT), Bit function table (b7 to b3: reserved): Description changed
		768	25.2.9 Second Alarm Register (RSECAR): Register description changed
		769	25.2.10 Minute Alarm Register (RMINAR): Register description changed
		770	25.2.11 Hour Alarm Register (RHRAR): Register description changed
		771	25.2.12 Day-of-Week Alarm Register (RWKAR), Bit function table (b6 to b3: reserved): Description changed, register description changed
		772	25.2.13 Date Alarm Register (RDAYAR), Bit function table (b6: reserved): Description changed, register description changed
		773	25.2.14 Month Alarm Register (RMONAR), Bit function table (b6, b5: reserved): Description changed, register description changed
		773	25.2.15 Year Alarm Register (RYRAR): Register description changed
		774	25.2.16 Year Alarm Enable Register (RYRAREN), Bit function table (b6 to b0: reserved): Description changed, register description changed
		776	25.2.18 RTC Control Register 2 (RCR2), Bit function table (b7: reserved): Description changed
		778	25.2.19 RTC Control Register 3 (RCR3), Bit function table (RTCEN): Description changed; RTCEN bit, RTCDV[2:0] bits: Bit description changed
		782	25.2.22 Second Capture Register y (RSECCPy), Bit function table (b7: reserved): Description changed
		783	25.2.23 Minute Capture Register y (RMINCPy), Bit function table (b7: reserved): Description changed
		783	25.2.24 Hour Capture Register y (RHRCPy), Bit function table (b7: reserved): Description changed
		784	25.2.25 Date Capture Register y (RDAYCPy), Bit function table (b7, b6: reserved): Description changed
		791	25.3.8.1 Automatic Adjustment: Description changed
		792	25.3.8.2 Adjustment by Software: Description changed
		797	25.5.1 Interrupt Handling and Event Linking: Note changed
		799	25.6.5 Points for Caution When Writing to and Reading from Registers, changed
		26. Watchdog Timer (WDTA)	
		800	Description changed
		800	26.1 Overview: Description changed
		801	Table 26.1 Specifications of WDT: Conditions for stopping the counter, changed
		—	Table 26.2 WDT Registers, deleted
		806	26.2.3 WDT Status Register (WDTSR), Bit function table (UNDF, REFEF): Description changed
		807	26.2.4 WDT Reset Control Register (WDTRCR), Bit function table (RSTIRQS): Description changed
		810	26.3.1.2 Auto-Start Mode: Description changed
		814	26.3.5 Reset Output: Description changed
		815	26.3.7 Reading the Down-Counter Value: Description changed
		27. Independent Watchdog Timer (IWDTa)	
		817	Description changed
		818	Table 27.1 Specifications of IWDT: Conditions for stopping the counter, description changed
		—	Table 27.2 IWDT Registers, deleted
		824	27.2.3 IWDT Status Register (IWDTSR), Bit function table (UNDF, REFEF): Description changed
		825	27.2.4 IWDT Reset Control Register (IWDTSCR), Bit function table (RSTIRQS): Description changed
		834	27.3.4 Status Flags: Description changed
		836	27.5 Usage Notes: 27.5.1 Refresh Operations, added
		28. Serial Communications Interface (SCIc, SCId)	
		—	Table 28.8 Registers of SCI, deleted
		848	28.2.5 Serial Mode Register (SMR): (2) Smart Card Interface Mode (SMIF in SCMR = 1), Bit function table (PE): Description changed
		850	28.2.6 Serial Control Register (SCR): (1) Serial Communications Interface Mode (SMIF in SCMR = 0), Bit function table (CKE[1:0]): Description changed
		853	28.2.6 Serial Control Register (SCR): (2) Smart Card Interface Mode (SMIF in SCMR = 1), Bit function table (CKE[1:0]): Description changed
		855	28.2.7 Serial Status Register (SSR): (1) Serial Communications Interface Mode (SMIF in SCMR = 0), TEND flag: Description changed

Rev.	Date	Description	
		Page	Summary
1.10	Feb 10, 2012	855	28.2.7 Serial Status Register (SSR): (2) Smart Card Interface Mode (SMIF in SCMR = 1), TEND flag: Description changed
		859, 860	28.2.8 Smart Card Mode Register (SCMR) Bit names, changed: Smart Card Data Invert → Transmitted/Received Data Invert, Smart Card Data Transfer Direction → Transmitted/Received Data Transfer Direction, Note 2: deleted, SDIR bit: Description changed
		860	Table 28.8 Relationships between N Setting in BRR and Bit Rate B Clock synchronous, simple SPI, and simple I ² C errors, deleted
		868, 869	28.2.10 Serial Extended Mode Register (SEMR), Bit function table (NFEN): Description changed, NFEN bit: Description changed
		869	Figure 28.4 Example of Average Transfer Rate Setting when TMR Clock is Input, changed
		870	28.2.11 Noise Filter Setting Register (SNFR), Bit function table (NFCS[2:0]): Description changed
		894	28.3.4 CTS and RTS Functions: Description changed
		895	Figure 28.8 Sample SCI Initialization Flowchart (Asynchronous Mode)
		896	28.3.6 Serial Data Transmission (Asynchronous Mode), 2.: Description changed
		896	Figure 28.9 Example of Operation for Serial Transmission in Asynchronous Mode (from the Middle of Transmission until Transmission Completion), changed
		897	Figure 28.10 Example of Serial Transmission Flowchart in Asynchronous Mode, changed
		898	Figure 28.11 Example of SCI Operation for Serial Reception in Asynchronous Mode (1), changed
		899	Figure 28.12 Example of SCI Operation for Serial Reception in Asynchronous Mode (2), added
		900	Figure 28.13 Example of Serial Reception Flowchart (1), changed
		903	Figure 28.16 Example of Multi-Processor Serial Transmission Flowchart, changed
		905	Figure 28.18 Example of Multi-Processor Serial Reception Flowchart (1), changed
		906	Figure 28.19 Example of Multi-Processor Serial Reception Flowchart (2), changed
		908	28.5.2 CTS and RTS Functions: Description changed
		909	Figure 28.21 Example of SCI Initialization Flowchart (Clock Synchronous Mode), changed
		910	28.5.4 Serial Data Transmission (Clock Synchronous Mode), 2.: Description changed
		910	Figure 28.22 Example of Operation for Serial Transmission in Clock Synchronous Mode (from the Middle of Transmission until Transmission Completion), changed
		911	Figure 28.23 Example of Serial Transmission Flowchart (Clock Synchronous Mode), changed
		912	Figure 28.24 Example of Operation for Serial Reception in Clock Synchronous Mode (1), changed
		913	Figure 28.25 Example of Operation for Serial Reception in Clock Synchronous Mode (2), added
		914	Figure 28.26 Example of Serial Reception Flowchart (Clock Synchronous Mode), changed
		915	Figure 28.27 Example of Simultaneous Serial Transmission and Reception Flowchart (Clock Synchronous Mode), changed
		920	28.6.5 Initialization of the SCI (Smart Card Interface Mode): Description changed
		923	Figure 28.35 Sample Smart Card Interface Transmission Flowchart, changed
		926	28.6.8 Clock Output Control, (1) and (2): Description changed
		931	28.7.2 Clock Synchronization: Description changed
		931	Figure 28.43 Example of Operations for Clock Synchronization, changed
		933	Figure 28.45 Example of the Flow of SCI Initialization (for Simple I ² C Mode), changed
		939	Table 28.26 States of Pins by Mode and Input Level on the SSn# Pin, changed
		943	Figure 28.54 Example of Operations at the Time of Start-Frame Transmission, changed
		944	Figure 28.55 Sample Flowchart for Transmission of a Start Frame (1), changed
		946	Table 28.27 Structures of Start Frames, changed
		948	Figure 28.58 Sample Flowchart for Reception of a Start Frame (1), changed
		951	Figure 28.61 Example of Operations at the Time of Start-Frame Reception (with Priority Interrupts in Use), changed
		952	28.9.4 Detection of Bus Collisions: Description changed
		959	28.10 Noise Cancellation Function: Description changed
		960	28.11.1 Buffer Operations for TXI and RXI Interrupts: Description added
960	28.11.2 Interrupts in Serial Communications Interface and Simple SPI Mode: Description changed		
—	28.11.6 Buffer Operation for TXI and RXI Interrupts, deleted		
965	28.13.3 The Mark State and Production of Breaks: Description changed		
966	28.13.8 Points to Note on Starting Transfer, added		
970	28.13.11 Limitation on Using Simple SPI Bus Mode: Description changed		
970	Figure 28.73 RXI Generation Timing in Simple SPI Bus Master Mode (with Clock Delay), changed		
—	28.13.13 Points to Note on Starting Transfer, deleted		

Rev.	Date	Description	
		Page	Summary
1.10	Feb 10, 2012	29. I ² C Bus Interface (RIIC)	
		All in this section	Terms, changed: SCL0 pin → SCL pin, SDA0 pin → SDA pin
		972	29.1 Overview: Description added
		972	Table 29.1 RIIC Specifications: Event link function, changed
		973	Figure 29.1 Block Diagram of RIIC, changed
		—	Table 29.2 Registers of RIIC, deleted
		975, 976	29.2.1 I ² C Bus Control Register 1 (ICCR1), Bit function table (ICE): Description changed, ICE bit: Description changed
		977	29.2.2 I ² C Bus Control Register 2 (ICCR2), Bit function table (RSPA): Deleted (changed to reserved), RSPA bit: Description deleted
		1006	Figure 29.5 Example of RIIC Initialization Flowchart, changed
		1007	29.3.3 Master Transmit Operation, (1): Description changed
		1011	29.3.4 Master Receive Operation, (1): Description changed
		30. Serial Peripheral Interface (RSPI)	
		1050	Table 30.1 Specifications of RSPI: Event linking, changed
		—	Table 30.3 Registers of RSPI, deleted
		1057	30.2.3 RSPI Pin Control Register (SPPCR), Bit function table (SPOM): Deleted (changed to reserved), SPOM bit: Description deleted
		1065	Table 30.3 Relationship among SPBR Settings, BRDV[1:0] Settings, and Bit Rates, changed
		1066	30.2.9 RSPI Data Control Register (SPDCR), Bit function table (SLSEL[1:0]): Deleted (changed to reserved), SLSEL[1:0] bits: Description deleted
		1075	Table 30.5 Relationship between RSPI Modes and SPCR Settings and Description of Each Mode, changed
		1076	30.3.2 Controlling RSPI Pins: Description changed
		1076	Table 30.6 Relationship between Pin States and Bit Settings, changed
		1104	30.3.10.1 Master Mode Operation, (1) Starting a Serial Transfer: Description changed
		1109	Table 30.11 Relationship among SPNDEN Bit, SPND, and Next-Access Delay Value, changed
		1115	30.3.12 Master Mode Operation, (1) Starting a Serial Transfer, (2) Terminating a Serial Transfer: Description changed
		1127	Table 30.13 Interrupt Sources of RSPI, changed
		31. CRC Calculator (CRC)	
		—	Table 31.2 Registers of CRC Calculator, deleted
		32. 12-Bit A/D Converter (S12ADb)	
		—	Table 32.4 Registers of 12-Bit A/D Converter, deleted
		1177	Table 32.8 Scan Conversion Time (in Terms of PCLK and ADCLK Cycles), changed
		1184	32.7.7 Allowable Impedance of Signal Source: Description changed
		1184	Table 32.9 Specifications of Analog Input Pins, changed
		1186	32.7.12 Port Setting when 12-bit A/D Converter Inputs are Used: Description changed
		33. D/A Converter (DA)	
		—	Table 33.1 Specifications of D/A Converter, changed
		—	Table 33.3 Registers of D/A Converter, deleted
		1193	33.6.5 Port Setting when D/A Converter Output is Used: Description changed
		34. Temperature Sensor (TEMP5a)	
		—	Table 34.2 Register of Temperature Sensor, deleted
		1195	34.2.1 Temperature Sensor Control Register (TSCR), Bit function table (PGAGAIN[1:0]): Description changed
		35. Comparator A (CMPA)	
		1200	Table 35.1 Comparator A Specifications, changed
		—	Table 35.3 Registers of Comparator A, deleted
		1202	35.2.1 Voltage Monitoring 1 Circuit/Comparator A1 Control Register 1 (LVD1CR1), Bit function table (LVD1IDTSEL[1:0]): Description changed
		1203	35.2.2 Voltage Monitoring 1 Circuit/Comparator A1 Status Register (LVD1SR), Bit function table (LVD1MON): Description changed, LVD1DET flag: Description changed
		1203	35.2.3 Voltage Monitoring 2 Circuit/Comparator A2 Control Register 1 (LVD2CR1), Bit function table (LVD2IDTSEL[1:0]): Description changed
		1204	35.2.4 Voltage Monitoring 2 Circuit/Comparator A2 Status Register (LVD2SR), Bit function table (LVD2MON): Description changed, LVD2DET flag: Description changed
		1205	35.2.5 Voltage Monitoring Circuit/Comparator A Control Register (LVCMPCR), Bit function table: Description changed

Rev.	Date	Description			
		Page	Summary		
1.10	Feb 10, 2012	1206	35.2.6 Voltage Monitoring 1 Circuit/Comparator A1 Control Register 0 (LVD1CR0), Bit function table (LVD1RI, LVD1RN): Description changed, LVD1RIE bit: Description changed		
		1208	35.2.7 Voltage Monitoring 2 Circuit/Comparator A2 Control Register 0 (LVD2CR0), Bit function table (LVD2RI, LVD2RN): Description changed, LVD2RIE bit: Description changed		
		1210	35.3.1 Monitoring Comparator A1: Description changed		
		1210	35.3.2 Monitoring Comparator A2: Description changed		
		1211	Table 35.3 Procedures for Setting Bits Related to the Comparator A1 Interrupt/ELC, changed		
		1211	Table 35.4 Procedures for Stopping Bits Related to the Comparator A1 Interrupt/ELC, added		
		1212	Figure 35.2 Operating Example of Comparator A1, changed		
		1213	Table 35.5 Procedures for Setting Bits Related to the Comparator A2 Interrupt/ELC, changed		
		1213	Table 35.6 Procedures for Stopping Bits Related to the Comparator A1 Interrupt/ELC, added		
		1214	Figure 35.3 Operating Example of Comparator A2, changed		
		1215	35.5 Comparator A1 and Comparator A2 Interrupts: Description added		
		1216	35.6 Event Link Output: Description added		
		36. Comparator B (CMPB)		1217	Table 36.1 Comparator B Specifications, changed
				—	Table 36.2 Registers of Comparator B, deleted
				1223	Figure 36.4 Operating Example of Comparator Bi Digital Filter, changed
		37. Data Operation Circuit (DOC)		—	Table 37.2 Registers of DOC, deleted
		38. RAM		1232	38.2 Operation: Description changed
		39. ROM (Flash Memory for Code Storage)		1233	Table 39.1 Specifications of ROM, changed
				—	Table 39.4 Registers Related to ROM, deleted
				1237, 1238	39.2.3 Flash Access Status Register (FASTAT): Description changed
				1240	39.2.5 FCU RAM Enable Register (FCURAME), FCRME Bit: Description changed
				1246	39.2.9 Flash P/E Mode Entry Register (FENTRYR): Register description changed
				1262	Figure 39.6 Procedure for Transition to ROM Read Mode, changed
				1266	Figure 39.11 Procedure for Firmware Transfer to FCU RAM, changed
				1282	Table 39.9 Error Protection Types (Types Dedicated to ROM and Types Common to ROM and E2 Data Flash), Illegal command error: Description changed
				1286	Table 39.10 Conditions for Automatic Bit-Rate Adjustment, changed
				1297	39.10.6 Inquiry/Selection Host Command Wait State: (11) New Bit Rate Selection • Bit rate selection error, equation changed
				1309	39.11 ID Code Protection on Connection of the On-Chip Debugger: Description changed
				1309	Table 39.17 Specifications for ID Code Protection on Connection of the On-Chip Debugger, changed
				1310	39.13 Usage Notes, (2), (4), (5), (8), (9): Description changed
		40. E2 DataFlash Memory (Flash Memory for Data Storage)		1312	Table 40.1 Specifications of E2 DataFlash Memory, changed
				—	Table 40.3 Registers Related to the E2 DataFlash, deleted
				1322	40.2.7 E2 DataFlash Blank Check Control Register (DFLBCCNT) BCADR[10:0] bits: Description changed
				1331	40.6.4 FCU Command Usage, (4): Description changed
				1334	Table 40.7 Error Protection Types (for E2 DataFlash Only), Illegal command error: Description changed
				1338	40.9 Usage Notes, (2): Description deleted
				—	40.9 Usage Notes: (2) Reading in Low-Speed Operating Mode 2, deleted
		41. Electrical Characteristics		1339 to 1395	Description added
		Appendix 1. Port States in Each Processing Mode		1396 to 1398	Table 1.1 Port States in Each Processing State: Description changed

Rev.	Date	Description	
		Page	Summary
1.20	Nov 26, 2012	All	Information on chip versions A, B, and C, corresponding descriptions and notes, added 48-pin products added, FINEC pin deleted, Voltage regulator control register (VRCR) and PLL power control register, added
			Terms, changed: Pin reset or Reset generated by the RES# pin → RES# pin reset, Inquiry/Selection Host Commands → Command-locked state, Host Command → Command, Error protection → Command-locked state
		4	Notes on Transferring Software between RX210 Group Products, added
		Features	
		39	■ Up to 14 extended-function timers, changed
		1. Overview	
		40	1.1 Outline of Specifications: Description, changed
		40 to 43	Table 1.1 Outline of Specifications: Memory, Clock, Reset, Low power consumption, I/O ports, and Package, changed Note 1., added
		44	Table 1.2 Comparison of Functions for Different Packages, changed
		45	Table 1.3 List of Products, changed
		46 to 48	Tables 1.3 to 1.7 List of Products, added
		49	Figure 1.1 How to Read the Product Part No., Memory Capacity, and Package Type, changed
		51, 52	Table 1.8 Pin Functions: Power supply and On-chip emulator, changed
		56	Figure 1.4 Pin Assignments of the 100-Pin LQFP, changed
		59	Figure 1.7 Pin Assignments of the 48-Pin LQFP, added
		61	Table 1.9 List of Pins and Pin Functions (100-Pin TFLGA): Pin No. G4, changed
		63	Table 1.10 List of Pins and Pin Functions (100-Pin LQFP): Pin No. 21, changed
		66	Table 1.11 List of Pins and Pin Functions (80-Pin LQFP): Pin No. 19, changed
		68	Table 1.12 List of Pins and Pin Functions (64-Pin LQFP): Pin No. 15, changed
		2. CPU	
		80	2.4 Data Types: Description, changed
		82	Table 2.8 16-Bit Write Operations when Big Endian has been Selected
		—	2.4.1 Integer, 2.4.2 Bits, 2.4.3 Strings, deleted
		3. Operating Modes	
		100	3.1 Operating Mode Types and Selection: Description, changed
		100	Table 3.1 Selection of Operating Modes by the Mode-Setting Pins and Note, changed, Table 3.2 Selection of Operating Modes by Register Setting and Note, changed, Table 3.3 Endian Setting, added
		101	3.2.1 Mode Monitor Register (MDMONR), changed
		101	3.2.2 Mode Status Register (MDSR), changed
		102	3.2.3 System Control Register 0 (SYSCR0), changed
		103	3.2.4 System Control Register 1 (SYSCR1): Bit description, changed
		104, 105	3.3 Details of Operating Modes: 3.3.1 to 3.3.5, changed
		104, 105	3.3.5 User Boot Mode: Description, changed
		106	3.4 Transitions of Operating Modes, changed
		107	3.4.2 Operating Mode Transitions According to Register Setting: Description, changed Figure 3.2 Setting of SYSCR0.ROME and EXBE Bits and Operating Modes, changed
		4. Address Space	
		109	Figure 4.1 Memory Map in Each Operating Mode: Note 2, changed
		5. I/O Registers	
		113 to 135	Table 5.1 List of I/O Registers (Address Order): Number of Access, changed Voltage regulator control register, Timeout internal counter L, Timeout internal counter U, and PLL power control register, added
		135	Table 5.1 List of I/O Registers (Address Order): Notes 1 and 2, added
		6. Resets	
		139	6.2.1 Reset Status Register 0 (RSTSR0): Note 1, added
142	6.2.3 Reset Status Register 2 (RSTSR2): Note 1, added		
144	Figure 6.1 Operation Examples During a Power-On Reset and Voltage Monitoring 0 Reset, changed		
144, 145	6.3.3 Voltage Monitoring 1 Reset and Voltage Monitoring 2 Reset, changed		
7. Option-Setting Memory			
152	7.2.1 Option Function Select Register 0 (OFS0): Bit description, changed		
154	7.2.2 Option Function Select Register 1 (OFS1): b0, b1, changed		

Rev.	Date	Description	
		Page	Summary
1.20	Nov 26, 2012	154	7.2.2 Option Function Select Register 1 (OFS1): Note 1, deleted
		156	Figure 7.2 UB Code A Configuration and Figure 7.3 UB Code B Configuration, changed
		8. Voltage Detection Circuit (LVDAa)	
		157	8.1 Overview: Description, changed
		158	Figure 8.1 Block Diagram of Voltage Detection Circuit, changed
		161	8.2.2 Voltage Monitoring 1 Circuit/Comparator A1 Status Register (LVD1SR), changed
		165	8.2.6 Voltage Detection Level Select Register (LVDLVLR): Description, changed
		170	8.3.2 Monitoring Vdet1 and 8.3.3 Monitoring Vdet2, changed
		171	Figure 8.4 Example of Voltage Monitoring 0 Reset Operation, changed
		173	Table 8.6 Procedures for Stopping Bits Related to the Voltage Monitoring 1 Interrupt and Voltage Monitoring 1 Reset, changed
		176	Table 8.8 Procedures for Stopping Bits Related to the Voltage Monitoring 2 Interrupt and Voltage Monitoring 2 Reset, changed
		9. Clock Generation Circuit	
		180	Figure 9.1 Block Diagram of Clock Generation Circuit, changed
		182	9.2.1 System Clock Control Register (SCKCR): Note added, bit description, changed
		183	9.2.2 System Clock Control Register 3 (SCKCR3), changed
		184	9.2.3 Voltage Regulator Control Register (VRCCR), added
		188	9.2.7 Main Clock Oscillator Control Register (MOSCCR): Bit description, changed
		196	9.2.15 Main Clock Oscillator Forced Oscillation Control Register (MOFCR): Description, changed
		197	9.2.16 High-Speed On-Chip Oscillator Power Supply Control Register (HOCOPCR): Bit description, changed
		202	9.4.2 Handling of Pins when Sub-Clock is not Used: Description, changed
		205	9.7 Internal Clock and 9.7.3 FlashIF Clock: Description, changed
		206	9.7.7 IWDI-Dedicated Clock: Description, changed
		207	9.8.1 Notes on Clock Generation Circuit: (5), changed
		208, 209	9.8.5 Notes on Sub-Clock, changed
		10. Clock Frequency Accuracy Measurement Circuit (CAC)	
		212	10.2.2 CAC Control Register 1 (CACR1): Description, changed
		213	10.2.3 CAC Control Register 2 (CACR2): Description, changed
		11. Low Power Consumption	
		221	Table 11.1 Specifications of Low Power Consumption Functions, changed
		223	Figure 11.1 Mode Transitions, changed
		228	11.2.5 Operating Power Control Register (OPCCR), changed
		229	Table 11.3 Relationship between Operating Power Control Mode, Operating Range, and Power Consumption [Chip versions A and C], changed
		230	Table 11.4 Relationship between Operating Power Control Mode, Operating Range, and Power Consumption [Chip Version B], added
		230	• High-Speed Operating Mode, changed
		231	• Middle-Speed Operating Mode, changed
		232	Figure 11.3 Relationship between the Operating Voltages and Operating Frequencies in Middle-Speed Operating Modes 1A and 1B, added
		232	• Middle-Speed Operating Mode 2A and • Middle-Speed Operating Mode 2B, added
		233	• Low-Speed Operating Mode, changed
		235	Figure 11.6 Relationship between the Operating Voltages and Operating Frequencies in Low-Speed Operating Mode 1 (Chip Version B), added
		235	• Low-Speed Operating Mode 2 (Chip Versions A, B, and C), added
		237	11.2.6 Sleep Mode Return Clock Source Switching Register (RSTCKCR), changed
		242	11.2.11 Deep Standby Control Register (DPSBYCR): Bit description, added
		246	11.2.15 Deep Standby Interrupt Flag Register 2 (DPSIFR2): b7, changed
		250	11.2.18 Flash HOCO Software Standby Control Register (FHSSBYCR): Description, changed
		252	11.4 Module Stop Function: Description, changed
		253	11.5.1 Setting Operating Power Consumption Control Mode, changed
		255	11.6.1.3 Sleep Mode Return Clock Source Switching Function, changed
		256	11.6.2.1 Transition to All-Module Clock Stop Mode, changed
		258, 259	11.6.3.1 Transition to Software Standby Mode, changed
		260	11.6.3.2 Canceling Software Standby Mode: Description, changed

Rev.	Date	Description	
		Page	Summary
1.20	Nov 26, 2012	12. Register Write Protection Function	
		268	Table 12.1 Association between PRCR Bits and Registers to be Protected, changed
		269	12.1.1 Protect Register (PRCR), changed
		14. Interrupt Controller (ICUb)	
		279	Table 14.1 Specifications of Interrupt Controller: Non-maskable interrupts, changed
		296	14.2.13 Non-Maskable Interrupt Status Clear Register (NMICLR): Bit description, changed
		300	14.3.1 Interrupt Vector Table: Description, changed
		301	Table 14.3 Interrupt Vector Table: Name, changed
		314	Figure 14.8 Digital Filter Operation Example, changed
		314	14.4.6 Digital Filter: Description, changed
		314, 315	14.4.7 External Pin Interrupts: Description, changed
		317	14.6.3 Return from Software Standby Mode, changed
		15. Buses	
		318	Table 15.1 Bus Specifications: table note, changed
		319	Figure 15.1 Bus Configuration, changed
		319	Table 15.2 Addresses Assigned for Each Bus, changed
		321	Table 15.4 Connection of Peripheral Modules to the Internal Peripheral Buses: Internal peripheral bus 1, changed
		327	15.3.1 CSn Control Register (CSnCR) (n = 0 to 3): changed
		329	15.3.2 CSn Recovery Cycle Register (CSnREC) (n = 0 to 3): Description, changed
		331	15.3.3 CS Recovery Cycle Insertion Enable Register (CSRECEN), changed
		334	15.3.4 CSn Mode Register (CSnMOD) (n = 0 to 3): Description, changed
		338	15.3.5 CSn Wait Control Register 1 (CSnWCR1) (n = 0 to 3): Description, changed
		340	15.3.6 CSn Wait Control Register 2 (CSnWCR2) (n = 0 to 3): Description, changed
		341	RDON[2:0] Bits: Description, changed
		343	15.3.9 Bus Error Status Register 1 (BERSR1): Description, changed
		353	Figure 15.10 Bus Timing (Normal-Read Operation) (n = 0 to 3, m = 0, 1), changed
		—	Figure 15.27 Example of Operation When a Read Access is Split (with Address/Data Multiplexed I/O Interface; n = 0 to 3, m = 0, 1), deleted
		—	Figure 15.28 Example of Operation When a Write Access is Split (with Address/Data Multiplexed I/O Interface; n = 0 to 3, m = 0, 1), deleted
		369	Figure 15.33 Example of Operation for Recovery Cycles when the BCLK Pin Output Selection Bits Are Set for Frequency-Division of BCLK by 2 (For the Case of Normal Access Through a Separate Bus Interface; m = 0, 3), added
		375	Table 15.11 Types of Bus Errors, changed
		16. DMA Controller (DMACA)	
		377	Figure 16.1 Block Diagram of DMAC, changed
		17. Data Transfer Controller (DTCa)	
		418	Figure 17.1 Block Diagram of DTC, changed
		425	17.2.8 DTC Vector Base Register (DTCVBR), changed
		431	Figure 17.4 Operation Flowchart of the DTC, changed
		18. Event Link Controller (ELC)	
		453	Table 18.3 Correspondence between Event Signal Names Set in ELSRn.ELS[7:0] Bits and Signal Numbers, changed
		467	18.3.6 Procedure for Linking Events, changed
		19. I/O Ports	
		470	Table 19.2 Port Functions, changed
		471	Figure 19.1 I/O Port Configuration (1), changed
		472	Figure 19.2 I/O Port Configuration (2), changed
		473	Figure 19.3 I/O Port Configuration (3), changed
		474	Figure 19.4 I/O Port Configuration (4), changed
		475	Figure 19.5 I/O Port Configuration (5), changed
		480	19.3.5 Open Drain Control Register 0 (ODR0), changed
		481	19.3.6 Open Drain Control Register 1 (ODR1), changed
		482	19.3.7 Pull-Up Control Register (PCR), changed
		483	19.3.8 Drive Capacity Control Register (DSCR), changed
		484	Table 19.3 Treatment of Unused Pins, changed

Rev.	Date	Description	
		Page	Summary
1.20	Nov 26, 2012	20. Multi-Function Pin Controller (MPC)	
		485 to 492	Table 20.1 Allocation of Pin Functions to Multiple Pins, changed
		—	Table 20.3 Register Settings for Input/Output Pin Function in 64-Pin LQFP, deleted
		497	Table 20.7 Register Settings for Input/Output Pin Function in 80-Pin, changed
		497	Table 20.8 Register Settings for Input/Output Pin Function in 64-Pin and 48-Pin, changed
		511	Table 20.30 Register Settings for Input/Output Pin Function in 80-Pin, changed
		517	Table 20.35 Setting up the External Bus Interface, changed
		519	20.4.1 Procedure for Specifying Input/Output Pin Function, changed
		519	20.4.2 Notes on MPC Register Setting, changed
		520	Table 20.36 Register Settings, changed
		21. Multi-Function Timer Pulse Unit 2 (MTU2a)	
		All in this section	Terms, changed: 0 output → Low output, 1 output → High output
		521	Table 21.1 Specifications of MTU: Lower power consumption function, added
		530 to 532	21.2.2 Timer Mode Register (TMDR), changed
		547	• TIER (MTU5): Address, changed
		551	21.2.9 Timer A/D Converter Start Request Control Register (TADCR): Value after reset and Note, changed
		558	21.2.17 Timer Output Master Enable Registers (TOER): Description, changed
		559	21.2.18 Timer Output Control Registers 1 (TOCR1): Value after reset, changed
		559	21.2.18 Timer Output Control Registers 1 (TOCR1): Note 3, added
		561	21.2.19 Timer Output Control Registers 2 (TOCR2): Note 2 added
		572	21.2.29 Timer Dead Time Enable Registers (TDER): Note 2 deleted
		573	21.2.30 Timer Waveform Control Registers (TWCR): Notes 1 and 2 changed
		574	21.2.31 Noise Filter Control Registers (NFCR): Description, changed
		576	• NFCR (MTU5): Description, changed
		591	21.3.4 Cascaded Operation: Description, changed
		598	21.3.5 PWM Modes: (2), changed
		612	Figure 21.38 Example of Complementary PWM Mode Setting Procedure, changed
		614	(b) Register Operation, changed
		615	Figure 21.40 Example of Operation in Complementary PWM Mode, changed
		617	Figure 21.41 Example of Operation without Dead Time, changed
		622	(j) Method for Generating PWM Output in Complementary PWM Mode, changed
		622, 623	Figures 21.46 to 48 Example of Waveform Output in Complementary PWM Mode, changed
		628	(n) Output Waveform Control at Synchronous Counter Clearing in Complementary PWM Mode, changed
		628 to 632	Figure 21.56 Timing for Synchronous Counter Clearing to Figure 21.62 Example of Counter Clearing Operation by MTU3.TGRA Compare Match, changed
		633	(p) Example of Waveform Output for Driving AC Synchronous Motor (Brushless DC Motor), changed
		633 to 635	Figures 21.63 to 21.66 Example of Output Phase Switching by External Input, changed
		636	(3) Interrupt Skipping in Complementary PWM Mode, changed
		637	Figure 21.69 Example of Interrupt Skipping Operation, changed
		638	Figure 21.70 Example of Operation when Buffer Transfer is Disabled (BTE[1:0] = 01b), changed
		639	Figure 21.71 Example of Operation when Buffer Transfer is Linked with Interrupt Skipping (BTE[1:0] = 10b), changed
		644	Figure 21.75 Example of A/D Converter Start Request Signal (TRG4AN) Operation Linked with Interrupt Skipping (when the output of TRG4AN in counting up and down by TCNT is enabled), changed
		645	Figure 21.77 Example of External Pulse Width Measurement Setting Procedure, changed
		646	Figure 21.79 Delay in Dead Time in Complementary PWM Mode Operation, changed
		647	Figure 21.80 Example of Dead Time Compensation Setting Procedure, changed
		647	Figure 21.81 Example of Motor Control Circuit Configuration, changed
		648	(2) TCNT Capture at Crest and/or Trough in Complementary PWM Mode Operation, changed
		648	Figure 21.82 MTU5.TCNT Capture at Crest and/or Trough in Complementary PWM Mode Operation, changed
648	21.3.12 Noise Filter, changed		
648	Figure 21.83 Timing of Noise Filtering, changed		
649	21.4.1 Interrupt Sources and Priorities: Description, changed		

Rev.	Date	Description	
		Page	Summary
1.20	Nov 26, 2012	659	Figure 21.101 TGI Interrupt Timing (Compare Match) (MTU5): Note, added
		662	21.6.2 Input Clock Restrictions: Description, changed
		662	Figure 21.106 Phase Difference, Overlap, and Pulse Width in Phase Counting Mode: Note, changed
		663	21.6.3 Note on Cycle Setting, changed
		666	21.6.9 Contention between TGR Read Operation and Input Capture: Description, changed
		666	Figure 21.112 Contention between TGR Read Operation and Input Capture (MTU0 to MTU5), changed
		—	Figure 21.113 Contention between TGR Read Operation and Input Capture (MTU5), deleted
		671	Figure 21.118 Buffer Operation and Compare Match Flags in Reset-Synchronized PWM Mode, changed
		672	Figure 21.119 Overflow Flags in Reset-Synchronized PWM Mode, changed
		675	21.6.22 Simultaneous Input Capture in MTU1.TCNT and MTU2.TCNT in Cascade Connection, changed
		675	21.6.24 Point for Caution Regarding MTU5.TCNT and MTU5.TGR Registers, added
		676	Figure 21.122 Example of Synchronous Clearing (when Condition 1 Applies), changed
		677	Figure 21.123 Example of Synchronous Clearing (when Condition 2 Applies), changed
		678	21.6.26 Continuous Output of Interrupt Signal in Response to a Compare Match: Description, changed
		678	Figure 21.124 Continuous Output of Interrupt Signal in Response to a Compare Match, changed
		681 to 706	21.7.3 Overview of Pin Initialization Procedures and Mode Transitions in Case of Error during Operation: (1) to (29), changed
		707	21.8.1 Event Signal Output to ELC, changed
		708	21.8.2 MTU Operation by Event Signal Reception from ELC: (3), changed
		22. Port Output Enable 2 (POE2a)	
		713	22.2.1 Input Level Control/Status Register 1 (ICSR1): Bit description, changed
		715	22.2.3 Input Level Control/Status Register 2 (ICSR2): Bit description, changed
		23. 8-Bit Timer (TMR)	
		727	Table 23.2 Pin Configuration of TMR: Counter clear, changed
		731	23.2.1 Timer Counter (TCNT): Address and description, changed
		732	23.2.2 Time Constant Register A (TCORA): Description, changed
		732	23.2.3 Time Constant Register B (TCORB): Description, changed
		742	23.4.2 Timing of Interrupt Signal Output on a Compare Match: Description, changed
		742	Figure 23.7 Timing of Interrupt Flag Setting to 1 at Compare Match (n = 0 to 3), changed
		743	23.4.3 Timing of Timer Output at Compare Match: Description, changed
		745	23.4.6 Timing of Interrupt Signal Output on an Overflow: Description, changed
		745	Figure 23.12 Timing of Overflow Interrupt Flag Setting to 1 (n = 0 to 3), changed
		752	23.8.5 Conflict between TCORA or TCORB Write and Compare Match: Description, changed
		752	Figure 23.15 Conflict between TCORA or TCORB Write and Compare Match, changed
		24. Compare Match Timer (CMT)	
		761	Figure 24.4 Timing of a Compare Match Interrupt, changed
		25. Realtime Clock (RTCb)	
		764	Table 25.1 Specifications of RTC: Note 1, added
		780, 781	25.2.18 RTC Control Register 2 (RCR2), changed
		782	25.2.19 RTC Control Register 3 (RCR3), changed
		783	25.2.20 Time Error Adjustment Register (RADJ): Bit description, changed
		785	25.2.21 Time Capture Control Register y (RTCCRy) (y = 0 to 2): Bit description, changed
		786	25.2.22 Second Capture Register y (RSECCPy) (y = 0 to 2): Symbol, changed
		787	25.2.24 Hour Capture Register y (RHRCPy) (y = 0 to 2): Symbol, changed
		790	Figure 25.2 Outline of Initial Settings after Power-On, changed
		795, 796	25.3.8.1 Automatic Adjustment: Description, changed
		796	25.3.8.2 Adjustment by Software: Description, changed
		802	25.6.3 RTCOUT (1-Hz) Clock Output: Description, changed
		27. Independent Watchdog Timer (IWDTa)	
		822	Table 27.1 Specifications of IWDT: Count source and Conditions for stopping the counter, changed, Note 1 added
		823	27.1 Overview: Description, changed
		837	Figure 27.6 IWDT Refresh Operation Waveforms (IWDTCR.CKS[3:0] = 0000b, IWDTCR.TOPS[1:0] = 11b), changed

Rev.	Date	Description	
		Page	Summary
1.20	Nov 26, 2012	—	Figure 27.7 IWDT Refresh Operation Waveforms (IWDTCR.CKS[3:0] = 0010b, IWDTCR.TOPS[1:0] = 01b), deleted
		838	Figure 27.7 Processing for Reading IWDT Down-Counter Value (IWDTCR.CKS[3:0] = 0000b, IWDTCR.TOPS[1:0] = 11b), changed
		—	Figure 27.9 Processing for Reading IWDT Down-Counter Value (IWDTCR.CKS[3:0] = 0010b, IWDTCR.TOPS[1:0] = 11b), changed
		28. Serial Communications Interface (SClC, SClD)	
		840	28.1 Overview: Description, changed
		841	Table 28.1 Specifications of SClC: Note 1, added
		842	Table 28.2 Specifications of SClD: Simple I ² C mode, changed, Event link function, deleted
		842	Table 28.2 Specifications of SClD: Note 1, added
		854	28.2.6 Serial Control Register (SCR), changed
		858, 859	28.2.7 Serial Status Register (SSR), changed
		864	28.2.9 Bit Rate Register (BRR): Description, changed
		865	Table 28.12 Examples of BRR Settings for Various Bit Rates (Asynchronous Mode), changed
		866	Table 28.14 Maximum Bit Rate with External Clock Input (Asynchronous Mode), changed
		867	Table 28.15 BRR Settings for Various Bit Rates (Clock Synchronous Mode, Simple SPI Bus Mode): Note 1, changed
		871	Figure 28.4 Example of Average Transfer Rate Setting when TMR Clock is Input, changed
		882	28.2.20 Control Register 2 (CR2), changed
		891	28.2.34 Timer Mode Register (TMR): Address, changed
		897	Figure 28.8 Sample SCI Initialization Flowchart (Asynchronous Mode), changed
		899	Figure 28.10 Example of Serial Transmission Flowchart in Asynchronous Mode, changed
		903	Figure 28.14 Example of Serial Reception Flowchart (2) (Asynchronous Mode), changed
		905	Figure 28.16 Example of Multi-Processor Serial Transmission Flowchart, changed
		908	Figure 28.19 Example of Multi-Processor Serial Reception Flowchart, changed
		916	Figure 28.26 Example of Serial Reception Flowchart (Clock Synchronous Mode), changed
		922	28.6.5 Initialization of the SCI (Smart Card Interface Mode): 5 and 9, changed
		941	28.8.3 SS Function in Slave Mode: Description, changed
		945	Figure 28.54 Example of Operations at the Time of Start-Frame Transmission, changed
		946	Figure 28.55 Sample Flowchart for Transmission of a Start Frame, changed
		955	Figure 28.63 Example of Operations with the Digital Filter, changed
		957	28.9.7 Selectable Timing for Sampling Data Received through RXDX12: Detection, changed
		966	28.13.3 The Mark State and Production of Breaks, changed
		966	28.13.6 Restrictions on Clock Synchronous Transmission, changed
		967	28.13.9 SCI Operations during Low Power Consumption State: (1) Transmission, changed
		968	Figure 28.69 Example of Flowchart for Transition to Software Standby Mode during Transmission, changed
		971	28.13.11 Limitation on Using Simple SPI Bus Mode, changed
		29. I ² C Bus Interface (RIIC)	
		976	Table 29.3 Register Allocation for 16-Bit Access, added
		978	29.2.2 I ² C Bus Control Register 2 (ICCR2): b6, changed
		982	29.2.4 I ² C Bus Mode Register 2 (ICMR2), changed
		1002	29.2.14 I ² C Bus Bit Rate High-Level Register (ICBRH): Note 1, changed
		1005	29.2.18 Timeout internal counter (TMOCNT), added
		1007	Figure 29.5 Example of RIIC Initialization Flowchart, changed
		1009	Figure 29.6 Example of Master Transmission Flowchart, changed
		1014	Figure 29.10 Example of Master Reception Flowchart (7-Bit Address Format), changed
		1015	Figures 29.11 and 29.12 Master Receive Operation Timing, changed
		1015	Figure 29.12 Master Receive Operation Timing (2) (10-Bit Address Format, when RDRFS = 0), changed
		1018	Figure 29.14 Example of Slave Transmission Flowchart, changed
		1021	Figure 29.17 Example of Slave Reception Flowchart, changed
		1031	29.7.4 Host Address Detection: Description, changed
		30. Serial Peripheral Interface (RSPI)	
		1052	30.1 Overview: Description, changed
		1052,1053	Table 30.1 Specifications of RSPI, changed
		1057	30.2.1 RSPI Control Register (SPCR), changed
		1058	30.2.2 RSPI Slave Select Polarity Register (SSLP), changed

Rev.	Date	Description			
		Page	Summary		
1.20	Nov 26, 2012	1059	30.2.3 RSPI Pin Control Register (SPPCR): Description, changed		
		1061	30.2.4 RSPI Status Register (SPSR), changed		
		1062	30.2.5 RSPI Data Register (SPDR): Description, changed		
		1063	(a) Writing, changed		
		1089	(4) LSB-First Transfer (24-Bit Data): Description, changed		
		1096	30.3.6.1 Full-Duplex Synchronous Serial Communications (SPCR.TXMD = 0): Description, changed		
		1096	Figure 30.25 Operation Example of SPCR.TXMD = 0, changed		
		1097	Figure 30.26 Operation Example of SPCR.TXMD = 1, changed		
		1101	30.3.8.1 Overrun Error: Description, changed		
		1103	30.3.8.2 Parity Error: Description, changed		
		1104	30.3.8.3 Mode Fault Error: Description, changed		
		1108	Figure 30.32 Correspondence between the RSPI Command Register and Transmit/Receive Buffers in Sequence Operations, changed		
		1113 to 1115	(9) Software Processing Flow, changed		
		1117	Figure 30.38 Example of Initialization Flowchart in Slave Mode (SPI Operation), changed		
		1118, 1119	(6) Software Processing Flow, changed		
		1122	Figure 30.44 Correspondence between the RSPI Command Register and Transmit/Receive Buffers in Sequence Operations, changed		
		1123	Figure 30.45 Example of Initialization Flowchart in Master Mode (Clock Synchronous Operation), changed		
		1124	(5) Flow of Software Processing, changed		
		1125	Figure 30.46 Example of Initialization Flowchart in Slave Mode (Clock Synchronous Operation), changed		
		1125	(4) Flow of Software Processing, changed		
		1130	30.4.5 Transmit End Event Output: Description, changed		
		32. 12-Bit A/D Converter (S12ADb)			
		1160	32.2.14 A/D Sampling State Register n (ADSSTRn) (n = 0 to 7, L, T, O): Address, changed		
		1185	Table 32.9 Specifications of Analog Input Pins: Note 1, changed		
		1187	32.7.12 Port Setting when 12-bit A/D Converter Inputs are Used: Description, changed		
		34. Temperature Sensor (TEMPSa)			
		1198	• A/D Conversion Start Trigger: Description, changed		
		35. Comparator A (CMPA)			
		1208	35.2.6 Voltage Monitoring 1 Circuit/Comparator A1 Control Register 0 (LVD1CR0): b7, changed		
		1210	35.2.7 Voltage Monitoring 2 Circuit/Comparator A2 Control Register 0 (LVD2CR0): b7, changed		
		1212	35.3.1 Monitoring Comparator A1 and 35.3.2 Monitoring Comparator A2, changed		
		1213	Table 35.5 Procedures for Setting Bits Related to the Comparator A1 Interrupt/ELC, changed		
		1215	Table 35.7 Procedures for Setting Bits Related to the Comparator A2 Interrupt/ELC, changed		
		1218	35.6 Event Link Output: Description, changed		
		38. RAM			
		1233	Table 38.1 Specifications of RAM, changed		
		39. ROM (Flash Memory for Code Storage)			
		1234	Table 39.1 Specifications of ROM: Protection, changed		
		1234	Table 39.2 Correspondence between ROM Capacity and ROM Addresses, changed		
		1235	Figure 39.1 Block Diagram of ROM, changed:		
		1236	39.2.1 Flash Write Erase Protection Register (FWEPROR): Description, changed		
		1238	39.2.3 Flash Access Status Register (FASTAT): Description, changed		
		1241	39.2.5 FCU RAM Enable Register (FCURAME): Description and bit description, changed		
		1247	39.2.9 Flash P/E Mode Entry Register (FENTRYR), changed		
		1248	39.2.10 Flash Protection Register (FPROTR), changed		
		1249	39.2.11 Flash Reset Register (FRESETR), changed		
		1254	Figure 39.2 Memory Area Configuration of ROM, changed		
		1255	Figure 39.3 Configuration of Erasure Blocks for the User Area, changed		
		1256	Table 39.4 Differences between Modes, changed		
		1256	39.5 Operating Modes Associated with the ROM: Description, changed		
		1260	Table 39.6 FCU Command Formats: Table note, changed		
		1263	Figure 39.6 Procedure for Transition to ROM Read Mode		
1266	Figure 39.10 Simple Flowchart of the Procedure for Programming and Erasure, changed				

Rev.	Date	Description	
		Page	Summary
1.20	Nov 26, 2012	1268	(4) Using the Peripheral Clock Notification Command, changed
		1269	Figure 39.12 Using the Peripheral Clock Notification Command, changed
		1271	Figure 39.13 Procedure for ROM Programming, changed
		1272	Figure 39.14 Procedure for ROM Erasure, changed
		1273	Figure 39.15 Procedure for Programming the Lock Bit, changed
		1274	Figure 39.16 Procedure for Reading Lock Bit in Register Read Mode, changed
		1276	(3) Initializing the FCU, changed
		1277	Figure 39.18 Procedure for Programming/Erasure Suspension, changed
		1278	Figure 39.19 Procedure for Resuming Programming or Erasure, changed
		1282	39.8 Protection: Description, changed
		1282	39.8.2 Command-Locked State: Description, changed
		1283	Table 39.8 Errors that Lead to the Command-Locked State (Types Dedicated to ROM and Types Common to ROM and E2 DataFlash), changed
		1284	39.9 User Boot Mode and 39.10.1 System Configuration: Description, changed
		1284	Figure 39.22 System Configuration for Operations in Boot Mode, changed
		1287	Table 39.10 Conditions for Automatic Bit-Rate Adjustment, changed
		1288	Table 39.11 Specifications for ID Code Protection, changed
		1290, 1291	39.10.6 Inquiry/Selection Command Wait: Description, changed
		1290	Table 39.12 Inquiry/Selection Commands, changed
		1292	(1) Supported Device Inquiry and (2) Device Selection, changed
		1293	(3) Clock Mode Inquiry and (4) Clock Mode Selection, changed
		1294	(5) Multiplication Ratio Inquiry and (6) Operating Frequency Inquiry, changed
		1295	(7) User Boot Area Information Inquiry and (8) User Area Information Inquiry, changed
		1298	• Bit rate selection error, changed
		1299	(12) Programming/Erasure State Transition, changed
		1301	(1) ID Code Check, changed
		1302	39.10.8 Programming/Erasure Command Wait and Table 39.16 Programming/Erasure Commands, changed
		1304	(2) User/Data Area Programming Selection, changed
		1308	(11) Read Lock Bit Status, changed
		1310	39.11 ID Code Protection on Connection of the On-Chip Debugger, changed
		1311	(8) Programming/Erasure Abnormal End, changed
			40. E2 DataFlash Memory (Flash Memory for Data Storage)
		1313	Table 40.1 Specifications of E2 DataFlash Memory: Protection, changed
		1314	40.1 Overview: Description, added
		1314	Figure 40.1 Block Diagram of E2 DataFlash Memory, changed
		1316	40.2.2 Flash Access Status Register (FASTAT), changed
		1319	40.2.4 E2 DataFlash Read Enable Register 0 (DFLRE0), changed
		1320	40.2.5 E2 DataFlash Programming/Erasure Enable Register 0 (DFLWE0), changed
		1321	40.2.6 Flash P/E Mode Entry Register (FENTRYR), changed
		1322	40.2.7 E2 DataFlash Blank Check Control Register (DFLBCCNT), changed
		1324	40.5 Operating Modes Associated with the E2 DataFlash: Description, changed
		1324	Table 40.2 Differences between Modes, changed
		1327	Table 40.3 FCU Commands for Use with E2 DataFlash Memory, changed
		1329	40.6.4 FCU Command Usage, changed
		1330	Figure 40.5 Procedure for E2 DataFlash Programming, changed
		1332	Figure 40.6 Procedure for Blank Checking of the E2 DataFlash, changed
		1334	40.7.2 Command-Locked State, changed
		1335	40.8.1 Inquiry/Selection Commands and Table 40.7 Inquiry/Selection Commands (only for E2 DataFlash), changed
		1336	(2) Data Area Information Inquiry, changed
		1337	(1) Data Area Checksum, changed
		1337	(2) Data Area Blank Check, changed
			41. Electrical Characteristics
		1339	Table 41.1 Absolute Maximum Ratings: Conditions, Notes 1, and 2 changed, Note 3 added
		1340	Tables 41.2 and 41.3 DC Characteristics, changed
		1341	Table 41.5 DC Characteristics: VCC, changed
		1341 to 1343	Tables 41.6 and 41.7 DC Characteristics, changed

Rev.	Date	Description	
		Page	Summary
1.20	Nov 26, 2012	1344, 1345	Figures 41.1 and 41.4, changed
		1346	Table 41.8 DC Characteristics, changed
		1347, 1348	Table 41.9 DC Characteristics, added
		1349 to 1350	Figures 41.5 to 41.8, changed
		1351	Figure 41.9 Voltage Dependency in Low-Speed Operating Mode 2 (Reference Data) for Chip Version B, added
		1352	Tables 41.10 and 41.11 DC Characteristics, added
		1354, 1355	Figures 41.10 to 41.13, added
		1356	Table 41.12 DC Characteristics, added
		1357, 1358	Figures 41.14 to 41.17, added
		1359	Tables 41.13 and 41.14 DC Characteristics, changed
		1359	Table 41.15 DC Characteristics, added
		1360	Table 41.17 DC Characteristics and Figure 41.18 Ripple Waveform, changed
		1362 to 1367	41.2.1 Standard I/O Pin Output Characteristics (1) and 41.2.2 Standard I/O Pin Output Characteristics (2), added
		1368, 1369	41.2.3 RIIC Pin Output Characteristics, added
		1370	Tables 41.26 and 41.27 Operation Frequency Value: Note 1, changed
		1371	Tables 41.28 and 41.29 Operation Frequency Value, added
		1372	Tables 41.31 and 41.32 Operation Frequency Value, added
		1373	Tables 41.33 to 41.35 BCLK Timing: Note 1 added
		1381, 1382	Tables 41.38 and 41.39 Timing of Recovery from Low Power Consumption Modes, added
		1385, 1386	Tables 41.41 to 41.43 Bus Timing: Conditions, changed
		1391, 1392	Tables 41.44 to 41.46 Bus Timing (Multiplexed Bus), changed
		1394 to 1397	Table 41.47 to 41.49 Timing of On-Chip Peripheral Modules, changed
		1397	Table 41.50 Timing of On-Chip Peripheral Modules: Note 1, changed
		1398	Table 41.51 Timing of On-Chip Peripheral Modules: Conditions and Note 2, changed
		1405	Table 41.52 A/D Conversion Characteristics, added
		1406	Table 41.55 A/D Conversion Characteristics: Conditions and Note, changed and Note 4, added
		1406	Table 41.56 A/D Conversion Characteristics: Conditions and Note, changed
		1407	Table 41.57 Sampling Time and Figure 41.71 Internal Equivalent Circuit of Analog Input Pin, added
		1408, 1409	Figure 41.72 Illustration of A/D Converter Characteristic Terms, added
		1410	Tables 41.58 and 41.59 D/A Conversion Characteristics: Conditions, changed
		1410	Table 41.60 Temperature Sensor Characteristics: Conditions, changed
		1411	Table 41.61 Comparator Characteristics: Offset, changed
		1412	Table 41.62 Power-on Reset Circuit and Voltage Detection Circuit Characteristics: Power-on reset (POR), Voltage detection circuit (LVD0), Note 1 and 2, changed
1413	Table 41.63 Power-on Reset Circuit and Voltage Detection Circuit Characteristics: Voltage detection level, changed		
1414	Figure 41.76 Voltage Detection Circuit Timing (V_{det0})		
1417	Table 41.65 ROM (Flash Memory for Code Storage) Characteristics and Note 2, changed		
1417 to 1421	Tables 41.66 to 41.70 ROM (Flash Memory for Code Storage) Characteristics, changed		
1422	Figure 41.71 to 41.72 E2 DataFlash Characteristics, changed		
1423	Table 41.73 E2 DataFlash Characteristics, changed		
1424	Table 41.74 E2 DataFlash Characteristics, changed		
1425	Table 41.75 E2 DataFlash Characteristics, added		
1.30	Jan 22, 2013	All	PLQP0144KA-A 20 x 20mm, 0.5mm pitch, PTLG0145KA-A 7 x 7mm, 0.5mm pitch, 16-Bit Timer Pulse Unit (TPUa), SCI2 to SCI4, SCI7, SCI10 to SCI12, added
		Features	
		41	On-chip flash memory for code, no wait states, On-chip SRAM, no wait states, Real-time clock, Up to 15 communications channels, Up to 20 extended-function timers, changed
		1.Overview	
		42 to 46	Table 1.1 Outline of Specifications, changed
		47	Table 1.2 Comparison of Functions for Different Packages, changed
		49	Table 1.4 List of Products Chip Version B: D Version ($T_a = -40$ to $+85^\circ\text{C}$), changed
50	Table 1.5 List of Products Chip Version B: G Version ($T_a = -40$ to $+105^\circ\text{C}$), changed		

Rev.	Date	Description	
		Page	Summary
1.30	Jan 22, 2013	51	Table 1.6 List of Products Chip Version C: D Version (Ta = -40 to +85°C), Table 1.7 List of Products Chip Version C: G Version (Ta = -40 to +105°C), changed
		52	Figure 1.1 How to Read the Product Part No., Memory Capacity, and Package Type, changed
		53	Figure 1.2 Block Diagram, changed
		54 to 57	Table 1.8 Pin Functions, changed
		58	Figure 1.3 Pin Assignments of the 145-Pin TFLGA (Upper Perspective View), added
		59	Figure 1.4 Pin Assignments of the 144-Pin LQFP, added
		65 to 68	Table 1.9 List of Pins and Pin Functions (145-Pin TFLGA), changed
		69 to 72	Table 1.10 List of Pins and Pin Functions (144-Pin LQFP), changed
		4. Address Space	
		122	Figure 4.1 Memory Map in Each Operating Mode, changed
		5. I/O Registers	
		126 to 155	Table 5.1 List of I/O Registers (Address Order), changed
		9. Clock Generation Circuit	
		203	9.2.1 System Clock Control Register (SCKCR), changed
		204	9.2.2 System Clock Control Register 3 (SCKCR3), changed
		208	9.2.6 External Bus Clock Control Register (BCKCR), changed
		11. Low Power Consumption	
		243	Table 11.2 Entering and Exiting Low Power Consumption Modes and Operating States in Each Mode, changed
		246	11.2.2 Module Stop Control Register A (MSTPCRA), changed
		248, 249	11.2.3 Module Stop Control Register B (MSTPCRB), changed
		250	11.2.4 Module Stop Control Register C (MSTPCRC), changed
		251	11.2.5 Operating Power Control Register (OPCCR), changed
		14. Interrupt Controller (ICUb)	
		308	14.2.1 Interrupt Request Register n (IRn) (n = interrupt vector number), changed
		311	14.2.3 Interrupt Source Priority Register n (IPRn) (n = 000 to 250), changed
		314	14.2.6 DTC Activation Enable Register n (DTCERn) (n = interrupt vector number), changed
		328 to 333	Table 14.3 Interrupt Vector Table, changed
		17. Data Transfer Controller (DTCa)	
		476	17.10.1 Transfer Data Start Address, changed
		19. I/O Ports	
		497	Table 19.1 Specifications of I/O Ports, changed
		498	Table 19.2 Port Functions (48 to 100 pins), changed
		499	Table 19.3 Port Functions (144 pins or more), added
		501	Figure 19.2 I/O Port Configuration (2), changed
		502	Figure 19.3 I/O Port Configuration (3), changed
		505	Figure 19.6 I/O Port Configuration (6), added
		506	19.3.1 Port Direction Register (PDR), changed
		507	19.3.2 Port Output Data Register (PODR), changed
		508	19.3.3 Port Input Data Register (PIDR), changed
		509	19.3.4 Port Mode Register (PMR), changed
		510	19.3.5 Open Drain Control Register 0 (ODR0), changed
		511	19.3.6 Open Drain Control Register 1 (ODR1), changed
		512	19.3.7 Pull-Up Control Register (PCR), changed
		513	19.3.8 Drive Capacity Control Register (DSCR), changed
		514	Table 19.4 Treatment of Unused Pins, changed
		20. Multi-Function Pin Controller (MPC)	
		515 to 525	Table 20.1 Allocation of Pin Functions to Multiple Pins, changed
		527	20.2.2 P0n Pin Function Control Register (P0nPFS) (n = 0 to 3, 5, 7), changed Table 20.2 Register Settings for Input/Output Pin Function in 145-Pin and 144-Pin, added
		528	20.2.3 P1n Pin Function Control Registers (P1nPFS) (n = 2 to 7), changed Table 20.4 Register Settings for Input/Output Pin Function in 145-Pin and 144-Pin, added
		531	Table 20.8 Register Settings for Input/Output Pin Function in 145-Pin and 144-Pin, added
		533	20.2.5 P3n Pin Function Control Registers (P3nPFS) (n = 0 to 4), changed Table 20.12 Register Settings for Input/Output Pin Function in 145-Pin and 144-Pin, added
		536	20.2.6 P4n Pin Function Control Registers (P4nPFS) (n = 0 to 7), changed
		537	20.2.7 P5n Pin Function Control Registers (P5nPFS) (n = 0 to 2, 4 to 6), changed Table 20.17 Register Settings for Input/Output Pin Function in 145-Pin and 144-Pin, added

Rev.	Date	Description			
		Page	Summary		
1.30	Jan 22, 2013	538 to 541	20.2.8 P6n Pin Function Control Registers (P6nPFS) (n = 0, 1) to 20.2.11 P9n Pin Function Control Registers (P9nPFS) (n = 0 to 3), Table 20.19 Register Settings for Input/Output Pin Function in 145-Pin and 144-Pin to Table 20.22 Register Settings for Input/Output Pin Function in 145-Pin and 144-Pin, added		
		542	20.2.12 PAn Pin Function Control Registers (PAnPFS) (n = 0 to 7), changed Table 20.23 Register Settings for Input/Output Pin Function in 145-Pin and 144-Pin, added		
		545	20.2.13 PBN Pin Function Control Registers (PBNPFS) (n = 0 to 7), changed Table 20.28 Register Settings for Input/Output Pin Function in 145-Pin and 144-Pin, added		
		547	Table 20.32 Register Settings for Input/Output Pin Function in 145-Pin and 144-Pin, added		
		549	20.2.15 PDn Pin Function Control Registers (PDnPFS) (n = 0 to 7), Table 20.36 Register Settings for Input/Output Pin Function in 100-Pin, changed		
		550	20.2.16 PEn Pin Function Control Registers (PEnPFS) (n = 0 to 7), changed Table 20.38 Register Settings for Input/Output Pin Function in 145-Pin and 144-Pin, added		
		552	20.2.17 PF5 Pin Function Control Registers (PF5PFS), added 20.2.18 PHn Pin Function Control Registers (PHnPFS) (n = 0 to 3), Table 20.41 Register Settings for Input/Output Pin Function in 145-Pin, and 48-Pin, changed		
		553	Table 20.42 Register Settings for Input/Output Pin Function in 145-Pin and 144-Pin, added		
		554	20.2.20 PKn Pin Function Control Registers (PKnPFS) (n = 2 to 5), Table 20.45 Register Settings for Input/Output Pin Function in 145-Pin and 144-Pin, added		
		562	20.4.1 Procedure for Specifying Input/Output Pin Function, changed		
		23. 16-Bit Timer Pulse Unit (TPUa)			
		769 to 836	23. 16-Bit Timer Pulse Unit (TPUa) to 23.9.16 Continuous Output of Underflow Pulse Interrupt Signal, added		
		29. Serial Communications Interface (SCIc, SCId)			
		951	29.1 Overview, changed		
		953	Table 29.3 List of Functions of SCI Channels, changed		
		954	Figure 29.1 Block Diagram of SCI0 to SCI4 and SCI7 to SCI11, changed		
		957, 958	Table 29.4 Input and Output Pins of the SCIs (Asynchronous/Clock Synchronous Modes), changed		
		958	Table 29.5 Pin Configuration of SCI (Simple I ² C Mode), changed		
		959, 960	Table 29.6 Pin Configuration of SCI (Simple SPI Mode), changed		
		961	29.2.2 Receive Data Register (RDR): Address, 29.2.3 Transmit Data Register (TDR): Address, changed		
		962	(1) Serial Communications Interface Mode (SMIF in SCMR = 0): Address, changed		
		964	(2) Smart Card Interface Mode (SMIF in SCMR = 1): Address, changed		
		966	(1) Serial Communications Interface Mode (SMIF in SCMR = 0), changed		
		969	(2) Smart Card Interface Mode (SMIF in SCMR = 1), changed		
		971	(1) Serial Communications Interface Mode (SMIF in SCMR = 0): Address, changed		
		973	(2) Smart Card Interface Mode (SMIF in SCMR = 1): Address, changed		
		975	29.2.8 Smart Card Mode Register (SCMR): Address, changed		
		976	29.2.9 Bit Rate Register (BRR): Address, changed		
		983	29.2.10 Serial Extended Mode Register (SEMR): Address, changed		
		985	29.2.11 Noise Filter Setting Register (SNFR): Address, changed		
		986	29.2.12 I ² C Mode Register 1 (SIMR1): Address, changed		
		987	29.2.13 I ² C Mode Register 2 (SIMR2): Address, changed		
		988	29.2.14 I ² C Mode Register 3 (SIMR3): Address, changed		
		990	29.2.15 I ² C Status Register (SISR): Address, changed		
		991	29.2.16 SPI Mode Register (SPMR): Address, changed		
		1024	Figure 29.21 Example of SCI Initialization Flowchart (Clock Synchronous Mode), changed		
		1041	(2) At Mode Switching, changed		
		30. I ² C Bus Interface (RIIC)			
		1118	30.2.18 Timeout internal counter (TMOCNT), changed		
		31. Serial Peripheral Interface (RSPI)			
		1175	31.2.5 RSPI Data Register (SPDR), changed		
		1180	Table 31.3 Relationship among SPBR Settings, BRDV[1:0] Settings, and Bit Rates, Note 1, changed		
		33. 12-Bit A/D Converter (S12ADb)			
		1254	Table 33.2 Functions of 12-Bit A/D Converter, changed Note 1, added		
		1271	Table 33.5 List of A/D Conversion Startup Sources Selected by TRSB[3:0] Bits, changed Note 1, added		

Rev.	Date	Description	
		Page	Summary
1.30	Jan 22, 2013	1271	Table 33.6 List of A/D Conversion Startup Sources Selected by TRSA[3:0] Bits, changed Note 1, added
		1298	33.7.7 Allowable Impedance of Signal Source, changed
		39. RAM	
		1346	Table 39.1 Specifications of RAM, Note 2, changed
		1346	39.2.2 Low Power Consumption Function, changed
		40. ROM (Flash Memory for Code Storage)	
		1347	Table 40.1 Specifications of ROM, Table 40.2 Correspondence between ROM Capacity and ROM Addresses, changed
		1348	Figure 40.1 Block Diagram of ROM, changed
		1352	40.2.3 Flash Access Status Register (FASTAT), changed Note 1, added
		1360, 1361	40.2.9 Flash P/E Mode Entry Register (FENTRYR), changed
		1368	40.3 Configuration of Memory Areas for the ROM, changed
		1369	Figure 40.2 Memory Area Configuration of ROM, changed
		1370	Figure 40.3 Configuration of Erasure Blocks for the User Area, changed
		1372	Figure 40.4 Mode Transitions of the FCU (Associated with the ROM), changed
		1373	40.6.1.1 ROM Read Modes, 40.6.1.2 ROM P/E Modes, changed
		1375	Table 40.6 FCU Command Formats, changed
		1377	(1) Switching to ROM P/E Mode, (2) Switching to ROM Read Mode, Figure 40.5 Procedure for Transition to ROM P/E Mode, changed
		1382	Figure 40.11 Procedure for Firmware Transfer to FCU RAM, (3) Transition to ROM P/E Mode, changed
		1383	(4) Using the Peripheral Clock Notification Command, changed
		1385	(5) Programming, changed
		1397	(2) Protection through FENTRYR, changed
		1398, 1399	Table 40.8 Errors that Lead to the Command-Locked State (Types Dedicated to ROM and Types Common to ROM and E2 DataFlash), changed
		1427	(8) Programming/Erase Abnormal End, changed
		41. E2 DataFlash Memory (Flash Memory for Data Storage)	
		1431	41.2.1 Flash Mode Register (FMODR), changed
		1433	41.2.2 Flash Access Status Register (FASTAT), changed
		1437	41.2.6 Flash P/E Mode Entry Register (FENTRYR), changed
		1441	Figure 41.4 Mode Transitions of the FCU (Associated with the E2 DataFlash), changed
		1442	41.6.1.2 ROM/E2 DataFlash Read Mode, 41.6.1.3 E2 DataFlash P/E Modes, changed
		42. Electrical Characteristics	
		1456	Table 42.2 DC Characteristics (1), Table 42.3 DC Characteristics (2), changed
		1457 to 1495	Table 42.6 DC Characteristics (5) to Table 42.20 DC Characteristics (19), changed Figure 42.1 Voltage Dependency in High-Speed for Chip Version A to Figure 42.34 Temperature Dependency in and 100 to 145 pins, changed
		1531	Table 42.55 Timing of On-Chip Peripheral Modules (1), changed
		1532	[512 Kbytes or less of flash memory and 48 to 100 pins] Table 42.56 Timing of On-Chip Peripheral Modules (2), added
		1533, 1534	[768 Kbytes/1 Mbyte of flash memory or 145/145 pins] Table 42.57 Timing of On-Chip Peripheral Modules (3), added
		1535	Table 42.58 Timing of On-Chip Peripheral Modules (4), changed
		1538	Figure 42.75 MTU/TPU Input/Output Timing, Figure 42.76 MTU/TPU Clock Input Timing, changed
		1539	Figure 42.79 SCK Clock Input Timing, Figure 42.80 SCI Input/Output Timing: Clock Synchronous Mode, changed
		1540	Figure 42.82 RSPI Clock Timing and Simple SPI Clock Timing, changed
		1541	Figure 42.83 RSPI Timing (Master, CPHA = 0) and Simple SPI Timing (Master, CKPH = 1), Figure 42.84 RSPI Timing (Master, CPHA = 0) (Bit Rate: PCLKB Set to Divided by 2), changed
		1542	Figure 42.85 RSPI Timing (Master, CPHA = 1) and Simple SPI Timing (Master, CKPH = 0), Figure 42.86 RSPI Timing (Master, CPHA = 1) (Bit Rate: PCLKB Set to Divided by 2), changed
		1543	Figure 42.87 RSPI Timing (Slave, CPHA = 0) and Simple SPI Timing (Slave, CKPH = 1), Figure 42.88 RSPI Timing (Slave, CPHA = 1) and Simple SPI Timing (Slave, CKPH = 0), changed

Rev.	Date	Description	
		Page	Summary
1.30	Jan 22, 2013	1546	Table 42.64 A/D Conversion Characteristics (2), changed
		1548	Figure 42.91 Illustration of A/D Converter Characteristic Terms, Absolute accuracy, changed
		1557	Table 42.74 ROM (Flash Memory for Code Storage) Characteristics (1), changed
		1562	Table 42.80 E2 DataFlash Characteristics (1), Table 42.81 E2 DataFlash Characteristics (2), changed
		Appendix 1. Port States in Each Processing Mode	
		1568 to 1571	Table 1.1 Port States in Each Processing State, changed
		Appendix 2. Package Dimensions	
		1572	Figure A 145-Pin TFLGA (PTLG0145KA-A), added
		1573	Figure B 144-Pin LQFP (PLQP0144KA-A), added
		1.40	Feb 19, 2013
Specification Differences between Products			
4	Table, changed		
1. Overview			
42 to 46	Table 1.1 Outline of Specifications, changed Note 2, added		
49	Table 1.4 List of Products Chip Version B: D Version (Ta = -40 to +85°C), changed		
50	Table 1.5 List of Products Chip Version B: G Version (Ta = -40 to +105°C), changed Note, added		
51	Table 1.6 List of Products Chip Version C: D Version (Ta = -40 to +85°C): Note 1, Table 1.7 List of Products Chip Version C: G Version (Ta = -40 to +105°C): Note 1 deleted, Note added		
52	Figure 1.1 How to Read the Product Part No., Memory Capacity, and Package Type, changed		
5. I/O Registers			
132	Table 5.1 List of I/O Registers (Address Order), changed		
6. Resets			
157, 158	Table 6.2 Targets Initialized by Each Reset Source: Note 1, added		
161	6.2.2 Reset Status Register 1 (RSTSR1), changed		
8. Voltage Detection Circuit (LVDAa)			
186	8.2.6 Voltage Detection Level Select Register (LVDLVLR), changed		
9. Clock Generation Circuit			
203	9.2.1 System Clock Control Register (SCKCR), changed		
204	9.2.2 System Clock Control Register 3 (SCKCR3), changed		
205	9.2.3 Voltage Regulator Control Register (VRCR), changed		
208	9.2.6 External Bus Clock Control Register (BCKCR), changed		
209	9.2.7 Main Clock Oscillator Control Register (MOSCCR), changed		
215	9.2.13 Oscillation Stop Detection Control Register (OSTDCR), changed		
11. Low Power Consumption			
242	Table 11.1 Specifications of Low Power Consumption Functions, changed		
251	11.2.5 Operating Power Control Register (OPCCR), changed		
287	11.6.3.2 Canceling Software Standby Mode, changed		
14. Interrupt Controller (ICUb)			
331	Table 14.3 Interrupt Vector Table, changed		
15. Buses			
399	15.5.5 No Access State, changed		
16. DMA Controller (DMACA)			
436	Figure 16.12 Register Setting Procedure, changed		
17. Data Transfer Controller (DTCa)			
456	17.3 Sources of Activation, changed		
474	17.8 Event Link Function, changed		
18. Event Link Controller (ELC)			
490	Table 18.5 Operations of Modules when Event is Input: Note 1, added		
19. I/O Ports			
501	Figure 19.2 I/O Port Configuration (2), changed		
502	Figure 19.3 I/O Port Configuration (3): Note 3, added		
506	Figure 19.7 I/O Port Configuration (7), added		
507	19.3.1 Port Direction Register (PDR), changed		

Rev.	Date	Description	
		Page	Summary
1.40	Feb 19, 2013	511	19.3.5 Open Drain Control Register 0 (ODR0), changed
		515	Table 19.4 Unused Pin Configuration, changed
		20. Multi-Function Pin Controller (MPC)	
		517	Table 20.1 Allocation of Pin Functions to Multiple Pins, changed
		560	20.2.25 External Bus Control Register 1 (PFBCR1), changed
		564	Table 20.51 Register Settings, changed
		21. Multi-Function Timer Pulse Unit 2 (MTU2a)	
		689	Figure 21.77 Example of External Pulse Width Measurement Setting Procedure, changed
		26. Realtime Clock (RTCb)	
		904	Figure 26.4 Setting the Time, changed
		28. Independent Watchdog Timer (IWDTa)	
		949	28.3.4 Status Flags, changed
		30. I ² C Bus Interface (RIIC)	
		1092	30.2.2 I ² C Bus Control Register 2 (ICCR2), changed
		1123	Figure 30.6 Example of Master Transmission Flowchart, changed
		1130	Figure 30.13 Master Receive Operation Timing (3) (when RDRFS = 0), changed
		31. Serial Peripheral Interface (RSPI)	
		1174	31.2.4 RSPI Status Register (SPSR), changed
		1177	(a) Writing, changed
		1181	Table 31.3 Relationship among SPBR Settings, BRDV[1:0] Settings, and Bit Rates: Note 1, changed
		1226	Figure 31.34 Example of Initialization Flowchart in Master Mode (SPI Operation), changed
		1237	Figure 31.45 Example of Initialization Flowchart in Master Mode (Clock Synchronous Operation), changed
		33. 12-Bit A/D Converter (S12ADb)	
		1256	Table 33.3 Input Pins of 12-Bit A/D Converter, changed
		1280	33.3.2.3 Channel Selection and Self-Diagnosis (Channel-Dedicated Sample-and-Hold Circuits not Used), changed
		1281	33.3.2.4 Channel Selection and Self-Diagnosis (Channel-Dedicated Sample-and-Hold Circuits Used), changed
		1287	33.3.3.3 Channel Selection and Self-Diagnosis (Channel-Dedicated Sample-and-Hold Circuits not Used), changed
		1288	33.3.3.4 Channel Selection and Self-Diagnosis (Channel-Dedicated Sample-and-Hold Circuits Used), changed
		1292	Table 33.8 Scan Conversion Time (in Terms of PCLK and ADCLK Cycles), changed
		1295	33.3.10 Starting A/D Conversion with Synchronous Trigger from Peripheral Modules, changed
		1300	33.7.10 Notes on Board Design, changed
		38. Data Operation Circuit (DOC)	
		1344	38.3.1 Data Comparison Mode: Note 1, added
		40. ROM (Flash Memory for Code Storage)	
		1366	40.2.13 FCU Processing Switching Register (FCPSR), changed
		1386	(5) Programming, changed
		1395	40.7 Suspending Operation, changed
		1397	40.7.2 Suspension during Programming/Erase (Programming/Erase Priority Mode), Figure 40.21 Suspension during Erase (Programming/Erase Priority Mode), changed
		41. E2 DataFlash Memory (Flash Memory for Data Storage)	
		1444	Table 41.4 FCU Command Formats (Commands Dedicated to the E2 DataFlash Memory), changed
		1446	(2) Programming, changed
		42. Electrical Characteristics	
		1458	Table 42.4 DC Characteristics (3), changed
		1463	Table 42.8 DC Characteristics (7), changed
		1471	Table 42.11 DC Characteristics (10), changed
		1480	Table 42.14 DC Characteristics (13), changed
		1489	Table 42.17 DC Characteristics (16), changed
		1490	Figure 42.31 Voltage Dependency in Software Standby Mode (SOFTCUT[2:0] Bits = 110b) (Reference Data) for Chip Version B with 768 Kbytes/1 Mbyte of Flash Memory and 100 to 145 Pins, changed

Rev.	Date	Description			
		Page	Summary		
1.40	Feb 19, 2013	1491	Figure 42.32 Temperature Dependency in Software Standby Mode (SOFTCUT[2:0] Bits = 110b) (Reference Data) for Chip Version B with 768 Kbytes/1 Mbyte of Flash Memory and 100 to 145 Pins, changed		
		1493	Table 42.18 DC Characteristics (17), changed		
		1494, 1495	Table 42.19 DC Characteristics (18), changed		
		1496 to 1498	Figure 42.35 Voltage Dependency in High-Speed Operating Mode (Reference Data) for Chip Version B with 512 Kbytes or Less of Flash Memory and 144 and 145 Pins to Figure 42.39 Voltage Dependency in Low-Speed Operating Mode 2 (Reference Data) for Chip Version B with 512 Kbytes or Less of Flash Memory and 144 and 145 Pins, added		
		1499	Table 42.20 DC Characteristics (19), changed		
		1500 to 1502	Figure 42.40 Voltage Dependency in Software Standby Mode (SOFTCUT[2:0] Bits = 110b) (Reference Data) for Chip Version B with 512 Kbytes or Less of Flash Memory and 144 and 145 Pins to Figure 42.43 Temperature Dependency in Deep Software Standby Mode (DEEPCUT1 Bit = 1) (Reference Data) for Chip Version B with 512 Kbytes or Less of Flash Memory and 144 and 145 Pins, added		
		1503	Table 42.22 DC Characteristics (21), changed Note 2 added		
		1519	Table 42.44 Clock Timing: Note 5, changed		
		1529	Table 42.49 Bus Timing (1), Table 42.50 Bus Timing (2), changed		
		1530	Table 42.51 Bus Timing (3), changed		
		1535	Table 42.52 Bus Timing (Multiplexed Bus) (1), Table 42.53 Bus Timing (Multiplexed Bus) (2), changed		
		1536	Table 42.54 Bus Timing (Multiplexed Bus) (3), changed		
		1539	Table 42.56 Timing of On-Chip Peripheral Modules (2), changed		
		1541	Table 42.57 Timing of On-Chip Peripheral Modules (3), changed		
		1552	Table 42.61 A/D Conversion Characteristics (1), Note 3, deleted Figure 42.99 AVCC to AVREFH Voltage Range, added		
		1554	Table 42.64 A/D Conversion Characteristics (2), Note 3, Table 42.65 A/D Conversion Characteristics (3), Note 3, deleted		
		1561	Table 42.72 Power-on Reset Circuit and Voltage Detection Circuit Characteristics (2), changed		
		Appendix 1. Port States in Each Processing Mode			
		1579	Table 1.1 Port States in Each Processing State, changed		
		1.50	Oct 15, 2013	All	69-Pin WLPGA package products, added
				Specification Differences between Products	
				4	Table 3 Specification Differences Depending on Packages and Memory Capacities, changed
				Features	
41	SWBG0069LA-A 3.91 × 4.26mm, 0.40-mm pitch, ■ Applications, added				
1. Overview					
42	1.1 Outline of Specifications, changed				
43 to 46	Table 1.1 Outline of Specifications, Note 2, changed				
47	Table 1.2 Comparison of Functions for Different Packages, changed				
48	Table 1.3 List of Products Chip Version A: D Version (Ta = -40 to +85°C), changed, Note, added				
49	Table 1.4 List of Products Chip Version B: D Version (Ta = -40 to +85°C), Note 1, changed, Note added				
50	Table 1.5 List of Products Chip Version B: G Version (Ta = -40 to +105°C), Note, changed, Note 1, deleted				
51	Table 1.6 List of Products Chip Version C: D Version (Ta = -40 to +85°C), Table 1.7 List of Products Chip Version C: G Version (Ta = -40 to +105°C), Note, changed				
52	Figure 1.1 How to Read the Product Part No., Memory Capacity, and Package Type, changed				
63	Figure 1.8 Pin Assignments of the 69-Pin WLPGA, added				
83, 84	Table 1.14 List of Pins and Pin Functions (69-Pin WLPGA), added				
8. Voltage Detection Circuit (LVDAa)					
191	8.2.5 Voltage Monitoring Circuit/Comparator A Control Register (LVCMPCR), changed				
9. Clock Generation Circuit					
224	9.2.16 High-Speed On-Chip Oscillator Power Supply Control Register (HOCOPCR), changed				
225	9.2.17 PLL Power Control Register (PLLPCR), changed				
11. Low Power Consumption					
277	11.2.13 Deep Standby Interrupt Enable Register 2 (DPSIER2), changed				

Rev.	Date	Description	
		Page	Summary
1.50	Oct 15, 2013	14. Interrupt Controller (ICUb)	
		338	Table 14.3 Interrupt Vector Table, changed
		346	14.4.5 Multiple Interrupts, added, 14.4.6 Fast Interrupt, changed
		19. I/O Ports	
		502	Table 19.1 Specifications of I/O Ports, changed
		20. Multi-Function Pin Controller (MPC)	
		521 to 531	Table 20.1 Allocation of Pin Functions to Multiple Pins, changed
		533	20.2.2 P0n Pin Function Control Register (P0nPFS) (n = 0 to 3, 5, 7), changed
		534	20.2.3 P1n Pin Function Control Registers (P1nPFS) (n = 2 to 7), changed
		535	Table 20.6 Register Settings for Input/Output Pin Function in 69-Pin and 64-Pin: Title changed
		538	Table 20.10 Register Settings for Input/Output Pin Function in 80-Pin, changed, Table 20.11 Register Settings for Input/Output Pin Function in 69-Pin, 64-Pin and 48-Pin: Title changed
		539	20.2.5 P3n Pin Function Control Registers (P3nPFS) (n = 0 to 4), changed
		540	Table 20.15 Register Settings for Input/Output Pin Function in 69-Pin and 64-Pin: Title changed
		542	20.2.6 P4n Pin Function Control Registers (P4nPFS) (n = 0 to 7), changed
		543	Table 20.18 Register Settings for Input/Output Pin Function in 100-Pin, 80-Pin, 69-Pin, and 64-Pin: Title changed
		548	20.2.12 PAn Pin Function Control Registers (PAnPFS) (n = 0 to 7), changed
		549	Table 20.26 Register Settings for Input/Output Pin Function in 69-Pin and 64-Pin: Title changed
		551	20.2.13 PBn Pin Function Control Registers (PBnPFS) (n = 0 to 7), changed
		552	Table 20.30 Register Settings for Input/Output Pin Function in 69-Pin and 64-Pin: Title changed
		554	Table 20.34 Register Settings for Input/Output Pin Function in 80-Pin, 69-Pin, and 64-Pin: Title changed
		556	20.2.16 PEn Pin Function Control Registers (PEnPFS) (n = 0 to 7), changed
		557	Table 20.39 Register Settings for Input/Output Pin Function in 100-Pin, 80-Pin, 69-Pin, and 64-Pin: Title changed
		558	20.2.18 PHn Pin Function Control Registers (PHnPFS) (n = 0 to 3), changed, Table 20.41 Register Settings for Input/Output Pin Function in 145-Pin, 144-Pin, 100-Pin, 80-Pin, 69-Pin, 64-Pin, and 48-Pin: Title changed
		21. Multi-Function Timer Pulse Unit 2 (MTU2a)	
		666	(g) PWM Cycle Setting, changed
		26. Realtime Clock (RTCb)	
		897	26.2.18 RTC Control Register 2 (RCR2), changed
		908	Figure 26.3 Clock Setting Procedure, changed
		28. Independent Watchdog Timer (IWDTa)	
		939	Table 28.1 Specifications of IWDT
		30. I ² C Bus Interface (RIIC)	
		1092 to 1171	ICRXI → RXI, ICTEI → TEI, ICTXI → TXI, ICEEI → EEI, changed
		1095, 1096	30.2.1 I ² C Bus Control Register 1 (ICCR1), changed
		1133	Figure 30.10 Example of Master Reception (7-Bit Address Format, 1 or 2 bytes), added
		1134	Figure 30.11 Example of Master Reception (7-Bit Address Format, 3 Bytes or More), changed
		1161	30.11.1 Timeout Function, changed
		31. Serial Peripheral Interface (RSPI)	
		1249	Table 31.14 Occurrence Conditions of Mode Fault Event, changed
		1250	31.4.4 RSPI Idle Event Output, 31.4.5 Transmit End Event Output, changed, Table 31.15 Conditions for Generation of a Transmission-Completed Event (Slave), added, 31.4.6 Interrupt Handling and Event Linking, deleted
		33. 12-Bit A/D Converter (S12ADb)	
		1260	Table 33.1 Specifications of 12-Bit A/D Converter, changed
		42. Electrical Characteristics	
		1509	Table 42.21 DC Characteristics (20) Note, added
		1524, 1525	Table 42.44 Clock Timing Note 6, Note 7, added
		1558	Table 42.61 A/D Conversion Characteristics (1) Note, changed, Note 4, deleted
		1559	Table 42.62 Channel Classification for A/D Converter, changed
		1560	Table 42.64 A/D Conversion Characteristics (2) Note, changed
		Appendix 2. Package Dimensions	
		1590	Figure E 69-Pin WLBGA (SWBG0069LA-A), added

RX210 Group User's Manual: Hardware

Publication Date: Rev.0.50 Mar 17, 2011
Rev.1.50 Oct 15, 2013

Published by: Renesas Electronics Corporation

**SALES OFFICES****Renesas Electronics Corporation**<http://www.renesas.com>Refer to "<http://www.renesas.com/>" for the latest and detailed information.

California Eastern Laboratories, Inc.
4590 Patrick Henry Drive, Santa Clara, California 95054, U.S.A.
Tel: +1-408-919-2500, Fax: +1-408-988-0279

Renesas Electronics Europe Limited
Dukes Meadow, Millboard Road, Bourne End, Buckinghamshire, SL8 5FH, U.K
Tel: +44-1628-651-700, Fax: +44-1628-651-804

Renesas Electronics Europe GmbH
Arcadiastrasse 10, 40472 Düsseldorf, Germany
Tel: +49-211-65030, Fax: +49-211-6503-1327

Renesas Electronics (China) Co., Ltd.
7th Floor, Quantum Plaza, No.27 ZhiChunLu Haidian District, Beijing 100083, P.R.China
Tel: +86-10-8235-1155, Fax: +86-10-8235-7679

Renesas Electronics (Shanghai) Co., Ltd.
Unit 204, 205, AZIA Center, No.1233 Lujiazui Ring Rd., Pudong District, Shanghai 200120, China
Tel: +86-21-5877-1818, Fax: +86-21-6887-7858 / -7898

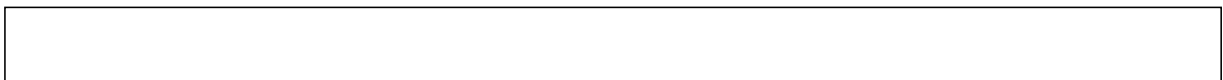
Renesas Electronics Hong Kong Limited
Unit 1601-1613, 16/F., Tower 2, Grand Century Place, 193 Prince Edward Road West, Mongkok, Kowloon, Hong Kong
Tel: +852-2886-9318, Fax: +852 2886-9022/9044

Renesas Electronics Taiwan Co., Ltd.
13F, No. 363, Fu Shing North Road, Taipei, Taiwan
Tel: +886-2-8175-9600, Fax: +886 2-8175-9670

Renesas Electronics Singapore Pte. Ltd.
80 Bendemeer Road, Unit #06-02 Hyflux Innovation Centre Singapore 339949
Tel: +65-6213-0200, Fax: +65-6213-0300

Renesas Electronics Malaysia Sdn.Bhd.
Unit 906, Block B, Menara Amcorp, Amcorp Trade Centre, No. 18, Jln Persiaran Barat, 46050 Petaling Jaya, Selangor Darul Ehsan, Malaysia
Tel: +60-3-7955-9390, Fax: +60-3-7955-9510

Renesas Electronics Korea Co., Ltd.
11F., Samik Lavied' or Bldg., 720-2 Yeoksam-Dong, Kangnam-Ku, Seoul 135-080, Korea
Tel: +82-2-558-3737, Fax: +82-2-558-5141



RX210 Group