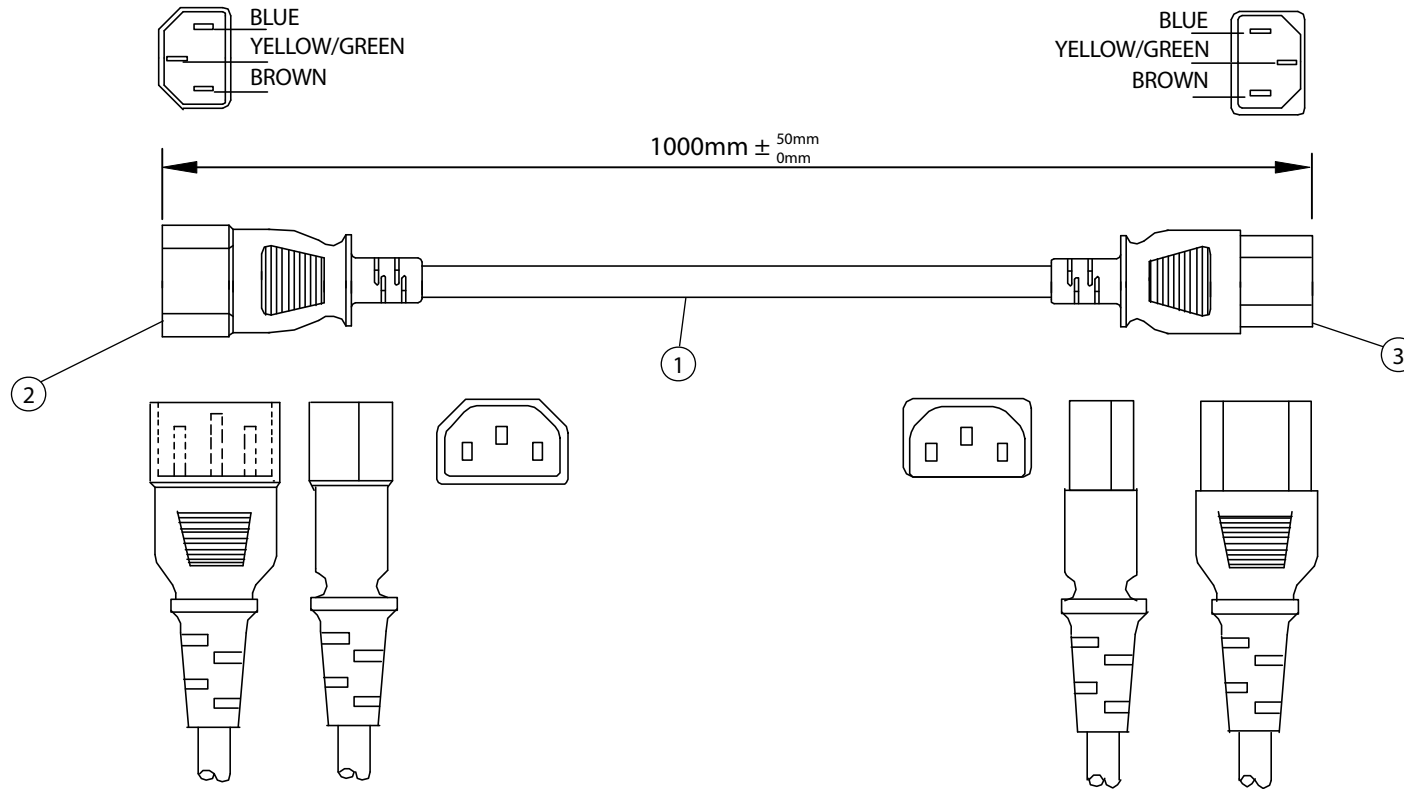


THESE DRAWINGS ARE THE PROPERTY OF QUALTEK ELECTRONICS AND NOT TO BE REPRODUCED FOR OR COMMUNICATED TO A THIRD PARTY WITHOUT THE EXPRESS WRITTEN PERMISSION OF AN OFFICER OF QUALTEK ELECTRONICS.

REVISION			
REV.	DESCRIPTION	DATE	APPROVED
B	RoHS Compliancy	06-01-06	DP
C	Updated Approvals	01-25-08	DP
D	Updated Length Tolerance	03-02-10	LY



NOTES:

1. CORDAGE: SJT/H05VV-F, 18AWG/3C, 3x1.00mm²
CEE COLOR CODE, TEMP. RATING: 60°C,
RATING: 250V, 10A, JACKET COLOR: BLACK
2. PLUG: IEC 60320 C14
3. CONNECTOR: IEC 60320 C13
4. APPROVALS: UL, cUL, VDE, CB, CEBC, DEMKO, FIMKO,
IMQ, KEMA, NEMKO, OVE, SAA, SEMKO, SEV
5. ROHS COMPLIANT

CONTROLLED

Dim range (mm)		Tolerance +/- (mm)		Qualtek Electronics Corp. PPC DIVISION		
0-1		0.15		Part Number: 319002-T01 RoHS Compliant		
1-6		0.20		Description: POWER CORD		
6-18		0.30				
18-50		0.50				
50-120		0.70				
120-250		0.90				
250-500		1.20				
		UNIT: mm		REV. D		
Drawn / Date		Checked / Date		Approved / Date		
B.ZHANG 10-11-01		10-11-01		JJH / 10-11-01		